

# USER MANUAL



# CONTENTS

1. SAFETY INFORMATION.....	2
2. SAFETY INSTRUCTIONS.....	5
3. INSTALLATION.....	8
4. PRODUCT DESCRIPTION.....	11
5. DAILY USE.....	12
6. HINTS AND TIPS.....	13
7. CARE AND CLEANING.....	15
8. TROUBLESHOOTING.....	16
9. TECHNICAL DATA.....	18
10. ENERGY EFFICIENCY.....	19
11. ENVIRONMENTAL CONCERNS.....	20

## FOR PERFECT RESULTS

Thank you for choosing this AEG product. We have created it to give you impeccable performance for many years, with innovative technologies that help make life simpler – features you might not find on ordinary appliances. Please spend a few minutes reading to get the very best from it.

Visit our website to:



Get usage advice, brochures, trouble shooter, service and repair information:  
[www.aeg.com/support](http://www.aeg.com/support)



Register your product for better service:  
[www.registeraeg.com](http://www.registeraeg.com)



Buy Accessories, Consumables and Original spare parts for your appliance:  
[www.aeg.com/shop](http://www.aeg.com/shop)

## CUSTOMER CARE AND SERVICE

Always use original spare parts.

When contacting our Authorised Service Centre, ensure that you have the following data available: Model, PNC, Serial Number.

The information can be found on the rating plate.

 Warning / Caution-Safety information

 General information and tips

 Environmental information

Subject to change without notice.

### 1. SAFETY INFORMATION

Before the installation and use of the appliance, carefully read the supplied instructions. The manufacturer is not responsible for any injuries or damage that are the result of incorrect installation or usage. Always keep the

instructions in a safe and accessible location for future reference.

## 1.1 Children and vulnerable people safety

- This appliance can be used by children aged from 8 years and above and persons with reduced physical, sensory or mental capabilities or lack of experience and knowledge if they have been given supervision or instruction concerning the use of the appliance in a safe way and understand the hazards involved. Children of less than 8 years of age and persons with very extensive and complex disabilities shall be kept away from the appliance unless continuously supervised.
- Children should be supervised to ensure that they do not play with the appliance.
- Keep all packaging away from children and dispose of it appropriately.
- **WARNING:** The appliance and its accessible parts become hot during use. Keep children and pets away from the appliance when in use and when cooling down.
- If the appliance has a child safety device, it should be activated.
- Children shall not carry out cleaning and user maintenance of the appliance without supervision.

## 1.2 General Safety

- This appliance is for cooking purposes only.
- This appliance is designed for single household domestic use in an indoor environment.
- This appliance may be used in, offices, hotel guest rooms, bed & breakfast guest rooms, farm guest houses and other similar accommodation where such use does not exceed (average) domestic usage levels.
- **WARNING:** The appliance and its accessible parts become hot during use. Care should be taken to avoid touching heating elements.


- **WARNING:** Unattended cooking on a hob with fat or oil can be dangerous and may result in fire.
- Never use water to extinguish the cooking fire. Switch off the appliance and cover flames with e.g. a fire blanket or lid.
- **WARNING:** The appliance must not be supplied through an external switching device, such as a timer, or connected to a circuit that is regularly switched on and off by a utility.
- **CAUTION:** The cooking process has to be supervised. A short term cooking process has to be supervised continuously.
- **WARNING:** Danger of fire: Do not store items on the cooking surfaces.
- Metallic objects such as knives, forks, spoons and lids should not be placed on the hob surface since they can get hot.
- Do not use the appliance before installing it in the built-in structure.
- Do not use a steam cleaner to clean the appliance.
- If the glass ceramic surface / glass surface is cracked, switch off the appliance and unplug it from the mains. In case the appliance is connected to the mains directly using junction box, remove the fuse to disconnect the appliance from power supply. In either case contact the Authorised Service Centre.
- In case of hotplate glass breakage:
  - shut immediately off all burners and any electrical heating element and isolate the appliance from the power supply,
  - do not touch the appliance surface,
  - do not use the appliance.
- If the supply cord is damaged, it must be replaced by the manufacturer, an authorized Service or similarly qualified persons in order to avoid a hazard.
- Where the appliance is directly connected to the power supply, an all-pole isolating switch with a contact gap is required. Complete disconnection in

compliance with the conditions specified in overvoltage category III must be guaranteed. The earth cable is excluded from this.

- When you route the mains cable, make sure that the cable doesn't come into direct contact (for example using insulating sleeving) with parts that can reach temperatures of more than 50°C above room temperature.
- **WARNING:** Use only hob guards designed by the manufacturer of the cooking appliance or indicated by the manufacturer of the appliance in the instructions for use as suitable or hob guards incorporated in the appliance. The use of inappropriate guards can cause accidents.

## 2. SAFETY INSTRUCTIONS

This appliance is suitable for the

following markets: 

### 2.1 Installation



**WARNING!**

Only a qualified person must install this appliance.



**WARNING!**

Risk of injury or damage to the appliance.

- Remove all the packaging.
- Do not install or use a damaged appliance.
- Follow the installation instructions supplied with the appliance.
- Keep the minimum distance from other appliances and units.
- Always take care when moving the appliance as it is heavy. Always use safety gloves and enclosed footwear.
- Seal the cut surfaces with a sealant to prevent moisture from causing swelling.
- Protect the bottom of the appliance from steam and moisture.
- Do not install the appliance next to a door or under a window. This prevents hot cookware from falling

from the appliance when the door or the window is opened.

- If the appliance is installed above drawers make sure that the space, between the bottom of the appliance and the upper drawer is sufficient for air circulation.
- The bottom of the appliance can get hot. Install a non-combustible separation panel under the appliance to prevent access to the bottom.

### 2.2 Electrical Connection



**WARNING!**

Risk of fire and electric shock.

- All electrical connections should be made by a qualified electrician.
- The appliance must be earthed.
- Before carrying out any operation make sure that the appliance is disconnected from the power supply.
- Make sure that the parameters on the rating plate are compatible with the electrical ratings of the mains power supply.
- Make sure the appliance is installed correctly. Loose and incorrect electricity mains cable or plug (if

- applicable) can make the terminal become too hot.
- Use the correct electricity mains cable.
  - Do not let the electricity mains cable tangle.
  - Make sure that a shock protection is installed.
  - Use the strain relief clamp on the cable.
  - Make sure the mains cable or plug (if applicable) does not touch the hot appliance or hot cookware, when you connect the appliance to a socket.
  - Do not use multi-plug adapters and extension cables.
  - Make sure not to cause damage to the mains plug (if applicable) or to the mains cable. Contact our Authorised Service Centre or an electrician to change a damaged mains cable.
  - The shock protection of live and insulated parts must be fastened in such a way that it cannot be removed without tools.
  - Connect the mains plug to the mains socket only at the end of the installation. Make sure that there is access to the mains plug after the installation.
  - If the mains socket is loose, do not connect the mains plug.
  - Do not pull the mains cable to disconnect the appliance. Always pull the mains plug.
  - Use only correct isolation devices: line protecting cut-outs, fuses (screw type fuses removed from the holder), earth leakage trips and contactors.
  - The electrical installation must have an isolation device which lets you disconnect the appliance from the mains at all poles. The isolation device must have a contact opening width of minimum 3 mm.

## 2.3 Gas connection



### CAUTION!

When using a gas cylinder, always keep it on a flat horizontal surface (with the gas valve on top).

- All gas connections must be made by a qualified person.

- Before installation, make sure that the local distribution conditions (nature of the gas and gas pressure) and the adjustment of the appliance are compatible.
- Make sure that there is air circulation around the appliance.
- The information about the gas supply is on the rating plate.
- This appliance is not connected to a device, which evacuates the products of combustion. Make sure to connect the appliance according to current installation regulations. Follow the requirements for adequate ventilation.

## 2.4 Use



### WARNING!

Risk of injury, burns and electric shock.



### CAUTION!

The use of a gas cooking appliance results in the production of heat, moisture and products of combustion in the room in which it is installed. Ensure that the kitchen is well ventilated especially when the appliance is in use. Prolonged intensive use of the appliance may require additional ventilation, for example the increasing of mechanical ventilation where present, additional ventilation to safely remove the products of combustion to outside (external) air whilst also providing room air changes with additional ventilation. Consult a qualified person before installation of the additional ventilation.

- Do not change the specification of this appliance.
- Remove all the packaging, labelling and protective film (if applicable) before first use.
- Make sure that the ventilation openings are not blocked.

- Do not let the appliance stay unattended during operation.
- Set the cooking zone to “off” after each use.
- Do not put cutlery or saucepan lids on the cooking zones. They can become hot.
- Do not operate the appliance with wet hands or when it has contact with water.
- Do not use the appliance as a work surface or as a storage surface.
- When you place food into hot oil, it may splash.



#### **WARNING!**

Risk of fire and explosion

- Fats and oil when heated can release flammable vapours. Keep flames or heated objects away from fats and oils when you cook with them.
- The vapours that very hot oil releases can cause spontaneous combustion.
- Used oil, that can contain food remnants, can cause fire at a lower temperature than oil used for the first time.
- Do not put flammable products or items that are wet with flammable products in, near or on the appliance.



#### **WARNING!**

Risk of damage to the appliance.

- Do not keep hot cookware on the control panel.
- Do not let cookware boil dry.
- Be careful not to let objects or cookware fall on the appliance. The surface can be damaged.
- Never leave a burner on with empty cookware or without cookware.
- Do not put aluminium foil on the appliance.
- Cookware made of cast iron, aluminium or with a damaged bottom can cause scratches on the glass / glass ceramic. Always lift these objects up when you have to move them on the cooking surface.
- Use only stable cookware with the correct shape and diameter larger than the dimensions of the burners.
- Make sure cookware is centrally positioned on the burners.

- Do not use large cookware that overlap the edges of the appliance. This can cause damage to the worktop surface.
- Make sure the flame does not go out when you quickly turn the knob from the maximum to the minimum position.
- Use only the accessories supplied with the appliance.
- Do not install a flame diffuser on the burner.
- Do not let acid liquids, for example vinegar, lemon juice or limescale remover, touch the hob. This can cause matt patches.
- Discoloration of the enamel or stainless steel has no effect on the performance of the appliance.

## 2.5 Care and cleaning



#### **WARNING!**

Do not remove the buttons, knobs or gaskets from the control panel. Water may get inside the appliance and cause damage.

- Clean the appliance regularly to prevent the deterioration of the surface material.
- Switch off the appliance and let it cool down before cleaning.
- Do not use water spray and steam to clean the appliance.
- Clean the appliance with a moist soft cloth. Use only neutral detergents. Do not use abrasive products, abrasive cleaning pads, solvents or metal objects.
- Do not clean the burners in the dishwasher.

## 2.6 Service

- To repair the appliance contact the Authorised Service Centre. Use original spare parts only.

## 2.7 Disposal



#### **WARNING!**

Risk of injury or suffocation.

- Contact your municipal authority for information on how to dispose of the appliance.
- Disconnect the appliance from the mains supply.
- Cut off the mains electrical cable close to the appliance and dispose of it.
- Flat the external gas pipes.

### 3. INSTALLATION



**WARNING!**  
Refer to Safety chapters.

#### 3.1 Before the installation

Before you install the hob, write down the information below from the rating plate. The rating plate is on the bottom of the hob.

Model .....  
PNC .....  
Serial number .....

#### 3.2 Gas Connection



**WARNING!**  
The following instructions about installation, maintenance and ventilation must be carried out by qualified personnel in compliance with the regulation in force (UNI-CIG 7129 - 7131). Make sure that the kitchen is well ventilated: keep natural ventilation holes open (at least 100 cm<sup>2</sup>) or install a mechanical extractor hood.

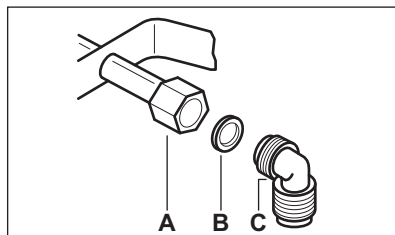
Choose fixed connections or use a flexible pipe in stainless steel in compliance with the regulation in force. If you use flexible metallic pipes, be careful they do not come in touch with mobile parts or they are not squeezed. Also be careful when the hob is put together with an oven.



Make sure that the gas supply pressure of the appliance obeys the recommended values.

If the supplied pressure has not the specified value, it is necessary to

assemble a proper pressure regulator in compliance with the standard UNI EN 88. For Liquid Gas (LPG) the use of pressure regulator is allowed only if they are in compliance with UNI EN 12864. The adjustable connection is fixed to the comprehensive ramp by means of a threaded nut G 1/2". Screw the parts without force, adjust the connection in the necessary direction and tighten everything.



- A. End of shaft with nut
- B. Washer supplied with the appliance
- C. Elbow supplied with the appliance

##### **Rigid connection:**

Carry out connection by using metal rigid pipes (copper with mechanical end) (UNI-CIG 7129).

##### **Flexible connection:**

Use a flexible pipe in stainless steel (UNI-CIG 9891) with a maximum length 2 m.



**WARNING!**  
When installation is complete, make sure that the seal of each pipe fitting is correct. Use a soapy solution, not a flame!

#### 3.3 Injectors replacement

1. Remove the pan supports.
2. Remove the caps and crowns of the burner.
3. With a socket spanner 7 remove the injectors and replace them with the



ones which are necessary for the type of gas you use (see table in "Technical Data" chapter).

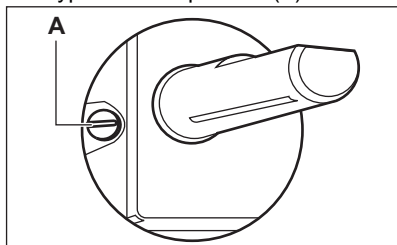
4. Assemble the parts, follow the same procedure backwards.
5. Attach the label with the new type of gas supply near the gas supply pipe. You can find this label in the package supplied with the appliance.

If the supply gas pressure is changeable or different from the necessary pressure, you must fit an applicable pressure adjuster on the gas supply pipe.

### 3.4 Adjustment of minimum level

To adjust the minimum level of the burners:

1. Light the burner.
2. Turn the knob on the minimum position.
3. Remove the knob.
4. With a thin screwdriver, adjust the bypass screw position (A).



5. If you change:
  - from natural gas G20 20 mbar to liquid gas, fully tighten the bypass screw in.
  - from liquid gas to natural gas G20 20 mbar, undo the bypass screw approximately 1/4 of a turn (1/2 of a turn for Multi Crown burner).



#### **WARNING!**

Make sure the flame does not go out when you quickly turn the knob from the maximum position to the minimum position.

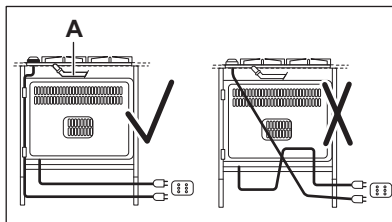
### 3.5 Electrical connection

- Make sure that the rated voltage and type of power on the rating plate

agree with the voltage and the power of the local power supply.

- This appliance is supplied with a mains cable. It has to be supplied with a correct plug which can hold the load that the rating plate rates. Make sure that you install the plug in a correct socket.
- Always use a correctly installed shockproof socket.
- Make sure that there is an access to the mains plug after the installation.
- Do not pull the mains cable to disconnect the appliance. Always pull the mains plug.
- There is a risk of fire when the appliance is in connection with an extension cable, an adapter or a multiple connection. Make sure that the ground connection agrees with the standards and regulations.
- Do not let the power cable to heat up to a temperature higher than 90° C.

To prevent contact between the cable and the appliance below the hob use the clamps which are on the side of the cabinet.

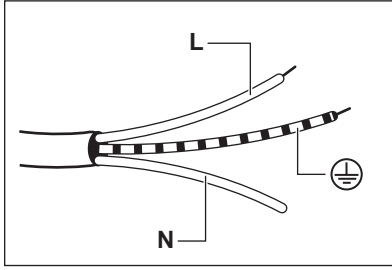



- A. Rigid copper pipe or flexible pipe of stainless steel

### 3.6 Connection cable

To replace the connection cable use only the special cable or its equivalent. The cable type is: H03V2V2-F T90.

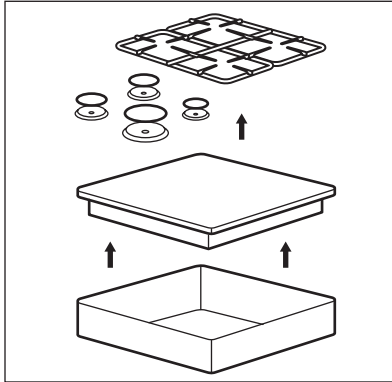
Make sure that the cable section is applicable to the voltage and the working temperature. The yellow / green earth wire must be approximately 2 cm longer than the brown (or black) phase wire.



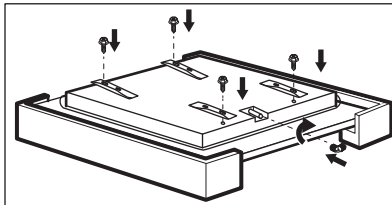
1. Connect the green and yellow (earth) wire to the terminal which is marked with the letter 'E', or the earth symbol , or coloured green and yellow.
2. Connect the blue (neutral) wire to the terminal which is marked with the letter 'N' or coloured blue.
3. Connect the brown (live) wire to the terminal which is marked with the letter 'L'. It must always be connected to the network phase.

### 3.7 Assembly

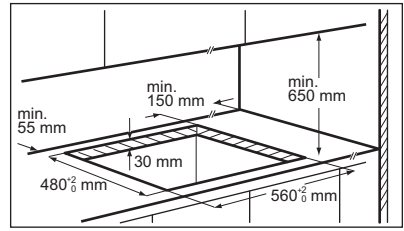
1.



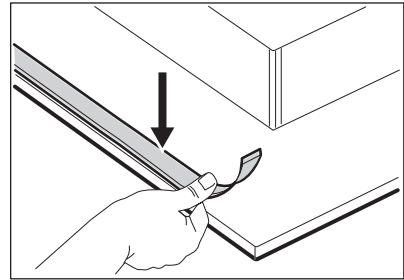
2.



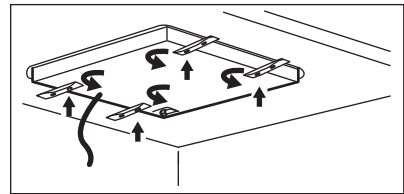
3.



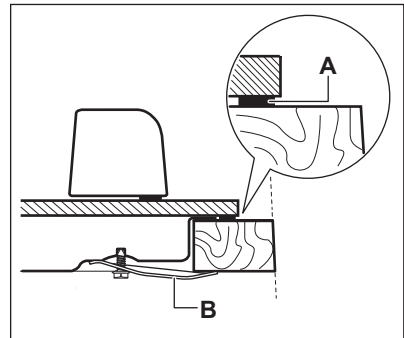
4.



5.

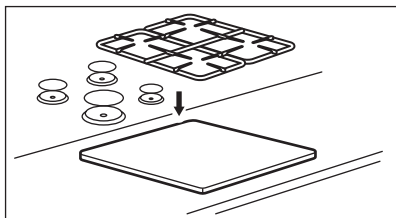


6.



- A) supplied seal  
B) supplied brackets

7.

**CAUTION!**

Install the appliance only on a worktop with flat surface.

### 3.8 Installing hob under the hood



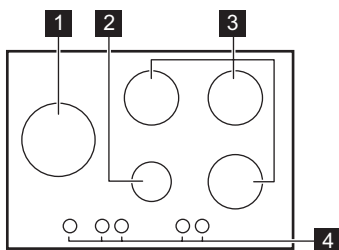
If you install the hob under a hood, please see the installation instructions of the hood for the minimum distance between the appliances.

### 3.9 Possibilities for insertion

The panel installed below the hob must be easy to remove and let an easy

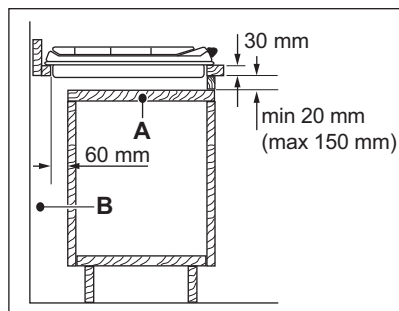
## 4. PRODUCT DESCRIPTION

### 4.1 Cooking surface layout



access in case a technical assistance intervention is necessary.

#### Kitchen unit with door



- A. Removable panel  
B. Space for connections

#### Kitchen unit with oven

The electrical connection of the hob and the oven must be installed separately for safety reasons and to let easy remove oven from the unit.

- 1** Multi Crown burner  
**2** Auxiliary burner  
**3** Semi-rapid burner  
**4** Control knobs

### 4.2 Control knob

Symbol	Description
	no gas supply / off position
	ignition position / maximum gas supply

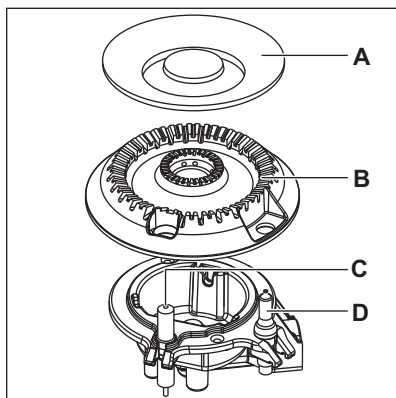
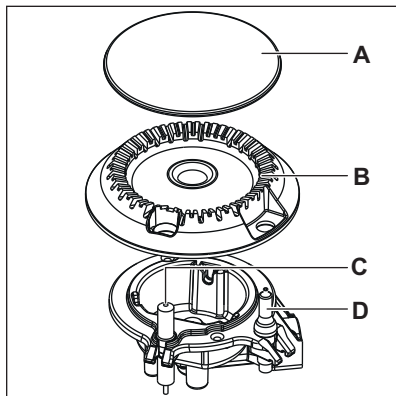
Symbol	Description
<b>1</b>	minimum gas supply
<b>1 - 9</b>	power levels

## 5. DAILY USE



**WARNING!**  
Refer to Safety chapters.

### 5.1 Burner overview



- A. Burner cap
- B. Burner crown
- C. Ignition candle
- D. Thermocouple

### 5.2 Ignition of the burner



Always light the burner before you put on the cookware.



**WARNING!**  
Be very careful when you use open fire in the kitchen environment. The manufacturer declines any responsibility in case of the flame misuse.

1. Push the control knob down and turn it counterclockwise to the maximum gas supply position (☼).
2. Keep the control knob pushed for equal or less than 10 seconds. This lets the thermocouple warm up. If not, the gas supply is interrupted.
3. Adjust the flame after it is regular.



If after some tries the burner does not light, check if the crown and its cap are in correct positions.




**WARNING!**  
Do not keep the control knob pushed for more than 15 seconds. If the burner does not light after 15 seconds, release the control knob, turn it into off position and try to light the burner again after minimum 1 minute.




**CAUTION!**  
In the absence of electricity you can ignite the burner without electrical device; in this case approach the burner with a flame, turn the control knob counterclockwise to maximum gas supply position and push it down. Keep the control knob pushed for equal or less than 10 seconds to let the thermocouple warm up.



If the burner accidentally goes out, turn the control knob to the off position and try to light the burner again after minimum 1 minute.

 The spark generator can start automatically when you switch on the mains, after installation or a power cut. It is normal.

 **WARNING!**  
Always turn the flame down or switch it off before you remove the pans from the burner.

### 5.3 Turning the burner off


To put the flame out, turn the knob to the off position ●.


## 6. HINTS AND TIPS


 **WARNING!**  
Refer to Safety chapters.


### 6.1 Cookware


 **CAUTION!**  
Do not use cast iron pans, clay or earthenware pots, grilling accessories or toaster plates.


 **WARNING!**  
Do not put the same pan on two burners.

 **WARNING!**  
Do not put unstable or damaged pots on the burner to prevent spills and injuries.


 **CAUTION!**  
Make sure that the bottoms of pots do not stand too close to the control knob, otherwise the flame heats the control knob up.

 **CAUTION!**  
Make sure that pot handles are not above the front edge of the cooktop.

 **CAUTION!**  
Make sure that the pots are placed centrally on the burner in order to get the maximum stability and a lower gas consumption.

 **CAUTION!**  
Liquids spilt during cooking can cause the glass to break.

### 6.2 Diameters of cookware

 **CAUTION!**  
Use cookware with diameters applicable to the size of burners.

Burner	Diameter of cookware (mm)
Multi Crown	180 - 260
Semi-rapid	120 - 220
Auxiliary	80 - 180

### 6.3 Suggested recipes

Food categories	Recipes	Burner type	Power level
Sauces - Dressing	Bechamel	Auxiliary	2-4
	Tomato sauce	Semi-rapid	1-5

<b>Food categories</b>	<b>Recipes</b>	<b>Burner type</b>	<b>Power level</b>
Pasta - Rice - other Cereals	Mushrooms rice	Multi Crown	1-5
	Couscous	Rapid	1-6
	Ravioli	Auxiliary	6-9
Soup - Legumes	Vegetable soup	Semi-rapid	2-7
	Mushrooms and potatoes soup	Semi-rapid	1-5
	Fish soup	Multi Crown	1-4
Meat	Beef meatballs	Multi Crown	1-6
	Fillet of pork roast	Multi Crown	4-9
	Beef burger gratin	Auxiliary	1-5
Fish	Sepia with peas	Multi Crown	1-5
	Roasted tuna steak	Rapid	5-8
Eggs based meals	Omelette	Multi Crown	1-5
Vegetables	Mushrooms with seasonings	Semi-rapid	2-6
	Caponata with vegetables	Multi Crown	4-8
	Frozen spinach with butter	Rapid	1-4
Fried dishes	French fries	Multi Crown	5-9
	Donuts	Multi Crown	3-7
Snacks cooked with pan	Roasting nuts	Semi-rapid	2-5
	Croutons of bread	Multi Crown	2-7
	Pancakes	Semi-rapid	3-9
Desserts	Caramel	Auxiliary	1-5
	Custard	Auxiliary	1-5
	Panna cotta	Auxiliary	1-5



All recipes for approximately 4 portions.

- i** The settings suggested in the cooking table should only serve as guidelines and be adjusted depending on the rawness of food, its weight and quantity as well as on the type of gas used and the material of the cookware used to prepare the dish.

- i** For an optimal delicate cooking use the auxiliary burner.

## 7. CARE AND CLEANING

- !** **WARNING!**  
Refer to Safety chapters.

### 7.1 General information

- Clean the hob after each use.
- Always use cookware with a clean base.
- Scratches or dark stains on the surface have no effect on how the hob operates.
- Use a special cleaner suitable for the surface of the hob.

- !** **WARNING!**  
Do not use knives, scrapers or similar instruments to clean the surface of the glass or the rims of the burners and the frame (if applicable).

- Wash stainless steel parts with water, and then dry them with a soft cloth.

### 7.2 Pan supports

- i** The pan supports are not resistant to washing in a dishwasher. They must be washed by hand.

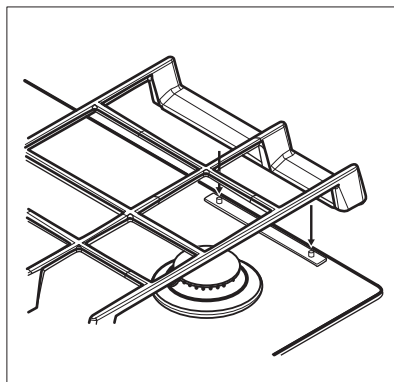
1. Remove the pan supports to easily clean the hob.

- i** Be very careful when you replace the pan supports to prevent the hob top from damage.

2. The enamel coating occasionally can have rough edges, so be careful when you wash the pan supports by hand and dry them. If necessary,

remove stubborn stains with a paste cleaner.

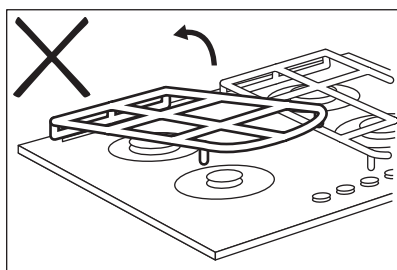
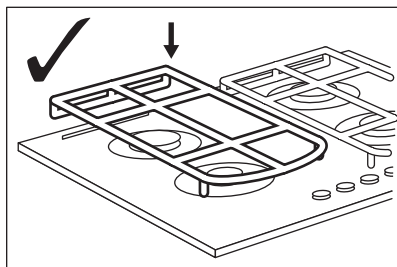
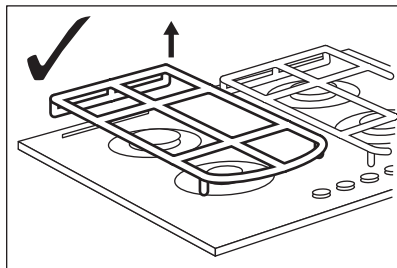
3. After you clean the pan supports, make sure that they are in correct positions.
4. For the burner to operate correctly, make sure that the arms of the pan supports are aligned with the centre of the burner.



### 7.3 Removing pan supports

To keep the pan supports in the correct position, they are put on metal pins installed in the rear side of the hob. For easier cleaning, pan supports can be removed from the hob. Lift up the pan supports keeping them in horizontal position as shown in the graphic.

- i** Do not lift the pan supports at an angle, as this will put strain on the metal pins. This can cause damage to the pins and cause them to break.



The shape of pan supports and the amount of burners can be different in other models of the appliance.

## 7.4 Cleaning the hob

- **Remove immediately:** melted plastic, plastic foil, sugar and food with sugar, otherwise, the dirt can cause damage to the hob. Take care to avoid burns.
- **Remove when the hob is sufficiently cool:** limescale rings, water rings, fat stains, shiny metallic discoloration. Clean the hob with a moist cloth and a non-abrasive detergent. After cleaning, wipe the hob dry with a soft cloth.
- To clean the enamelled parts, caps and crowns, wash them with warm soapy water and dry them carefully before you put them back on.

## 7.5 Cleaning the spark plug

This feature is obtained through a ceramic ignition candle with a metal electrode. Keep these components well clean to prevent difficult lighting and check that the burner crown holes are not obstructed.

## 7.6 Periodic maintenance

Speak to your local Authorised Service Centre periodically to check the conditions of the gas supply pipe and the pressure adjuster, if fitted.

# 8. TROUBLESHOOTING



**WARNING!**  
Refer to Safety chapters.

## 8.1 What to do if...

Problem	Possible cause	Remedy
There is no spark when you try to activate the spark generator.	The hob is not connected to an electrical supply or it is connected incorrectly.	Check if the hob is correctly connected to the electrical supply.



Problem	Possible cause	Remedy
	The fuse is blown.	Make sure that the fuse is the cause of the malfunction. If the fuse is blown again and again, contact a qualified electrician.
	Burner cap and crown are placed incorrectly.	Place the burner cap and crown correctly.
The flame extinguishes immediately after ignition.	Thermocouple is not heated up sufficiently.	After lighting the flame, keep the knob pushed for equal or less than 10 seconds.
The flame ring is uneven.	Burner crown is blocked with food residues.	Make sure that the injector is not blocked and the burner crown is clean.

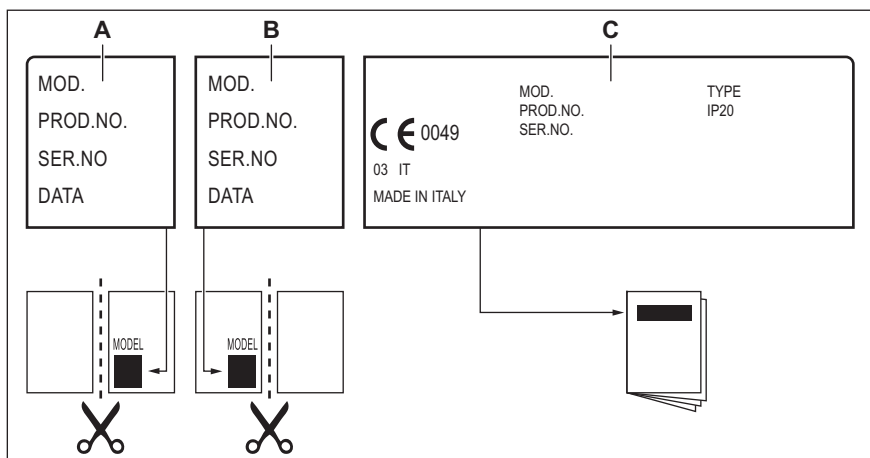
## 8.2 If you cannot find a solution...

If you cannot find a solution to the problem yourself, contact your dealer or an Authorised Service Centre. Give the data from the rating plate. Make sure, you operated the hob correctly. If not the servicing by a service technician or

dealer will not be free of charge, also during the warranty period. The instructions about the Service Centre and conditions of guarantee are in the guarantee booklet.

## 8.3 Labels supplied with the accessories bag

Stick the adhesive labels as indicated below:



- A. Stick it on Guarantee Card and send this part (if applicable).  
 B. Stick it on Guarantee Card and keep this part (if applicable).  
 C. Stick it on instruction booklet.

## 9. TECHNICAL DATA

### 9.1 Hob dimensions

Width	740 mm
Depth	510 mm

### 9.2 Bypass diameters

BURNER	Ø BYPASS 1/100 mm
Multi Crown	57
Semi-rapid	35
Auxiliary	28

### 9.3 Other technical data

TOTAL POWER:	Gas original:	G20 (2H) 20 mbar	10,45 kW
	Gas replacement:	G30 (3+) 28-30 mbar	745 g/h
		G31 (3+) 37 mbar	732 g/h
Electric supply:	220-240 V ~ 50-60 Hz		
Appliance category:	II2H3+		
Gas connection:	G 1/2"		
Appliance class:	3		

### 9.4 Gas burners for NATURAL GAS G20 20 mbar

BURNER	NORMAL POWER kW	MINIMUM POWER kW	INJECTOR MARK
Multi Crown	3,9	1,4	146
Semi-rapid	1,85	0,6	92
Auxiliary	1,0	0,33	70

### 9.5 Gas burners for LPG G30/G31 28-30/37 mbar

BURNER	NORMAL POWER kW	MINIMUM POWER kW	INJECTOR MARK	NOMINAL GAS FLOW g/h	
				G30 28-30 mbar	G31 37 mbar
Multi Crown	3,55	1,4	095	258	254
Semi-rapid	1,9	0,6	71	138	136
Auxiliary	1,0	0,33	50	73	71

## 10. ENERGY EFFICIENCY

### 10.1 Product information according to EU 66/2014

Model identification	HKB75820NB
Type of hob	Built-in hob
Number of gas burners	5



Energy efficiency per gas burner (EE gas burner)	Right rear - Semi-rapid	58.1%
	Right front - Semi-rapid	56.7%
	Left middle - Multi Crown	56.0%
	Centre rear - Semi-rapid	56.0%
	Centre front - Auxiliary	not applicable
Energy efficiency for the gas hob (EE gas hob)		56.7%

EN 30-2-1: Domestic cooking appliances burning gas - Part 2-1 : Rational use of energy - General

## 10.2 Energy saving

- Before use, make sure that the burners and pan supports are assembled correctly.
- Use cookware with diameters applicable to the size of burners.
- Center the pot on the burner.
- When you heat up water, use only the amount you need.
- If it is possible, always put the lids on the cookware.
- When the liquid starts to boil, turn down the flame to barely simmer the liquid.
- If it is possible, use a pressure cooker. Refer to its user manual.

## 11. ENVIRONMENTAL CONCERNS

Recycle materials with the symbol .  
Put the packaging in relevant containers to recycle it. Help protect the environment and human health by recycling waste of electrical and electronic appliances. Do not dispose of appliances marked with the symbol .

with the household waste. Return the product to your local recycling facility or contact your municipal office.

Electrolux Appliances AB - Contact  
Address: Al. Powstańców Śląskich 26,  
30-570 Kraków, Poland

# INDICE

1. INFORMAZIONI DI SICUREZZA.....	21
2. ISTRUZIONI DI SICUREZZA.....	24
3. INSTALLAZIONE.....	27
4. DESCRIZIONE DEL PRODOTTO.....	31
5. UTILIZZO QUOTIDIANO.....	32
6. CONSIGLI E SUGGERIMENTI UTILI.....	33
7. PULIZIA E CURA.....	35
8. RISOLUZIONE DEI PROBLEMI.....	37
9. DATI TECNICI.....	38
10. EFFICIENZA ENERGETICA.....	39
11. CONSIDERAZIONI SULL'AMBIENTE.....	40

## PER RISULTATI PERFETTI

Grazie per aver scelto di acquistare questo prodotto AEG. Lo abbiamo creato per fornirvi prestazioni impeccabili per molti anni, grazie a tecnologie innovative che vi semplificheranno la vita - funzioni che non troverete sulle normali apparecchiature. Vi invitiamo di dedicare qualche minuto alla lettura per sapere come trarre il massimo dal vostro elettrodomestico.

Visitate il nostro sito web per:



Ricevere consigli, scaricare i nostri opuscoli, eliminare eventuali anomalie, ottenere informazioni sull'assistenza e la riparazione:

**[www.aeg.com/support](http://www.aeg.com/support)**



Per registrare il vostro prodotto e ricevere un servizio migliore:

**[www.registreaeg.com](http://www.registreaeg.com)**



Acquistare accessori, materiali di consumo e ricambi originali per la vostra apparecchiatura:

**[www.aeg.com/shop](http://www.aeg.com/shop)**

## ASSISTENZA CLIENTI E ASSISTENZA TECNICA

Consigliamo sempre l'impiego di ricambi originali.

Quando si contatta il nostro Centro di Assistenza Autorizzato, accertarsi di avere a disposizione i dati seguenti: Modello, numero dell'apparecchio (PNC), numero di serie.

Le informazioni sono riportate sulla targhetta identificativa.

 Avvertenza/Attenzione - Importanti Informazioni per la sicurezza

 Informazioni generali e suggerimenti

 Informazioni ambientali

Con riserva di modifiche.

### 1. INFORMAZIONI DI SICUREZZA

Leggere attentamente le istruzioni fornite prima di installare e utilizzare l'apparecchiatura. I produttori non

sono responsabili di eventuali lesioni o danni derivanti da un'installazione o un uso scorretti. Conservare sempre le istruzioni in un luogo sicuro e accessibile per poterle consultare in futuro.

## **1.1 Sicurezza dei bambini e delle persone vulnerabili**

- Quest'apparecchiatura può essere usata da bambini a partire da 8 anni di età e da adulti con capacità fisiche, sensoriali o mentali limitate o con scarsa esperienza e conoscenza sull'uso dell'apparecchiatura, solamente se sorvegliati o se istruiti relativamente all'utilizzo in sicurezza dell'apparecchiatura e se hanno compreso i rischi coinvolti. I bambini che hanno meno di 8 anni e le persone con disabilità diffuse e complesse vanno tenuti lontani dall'elettrodomestico, a meno che non vi sia una supervisione continua.
- Sorvegliare i bambini per assicurarsi che non giochino con l'apparecchiatura.
- Tenere gli imballaggi lontano dai bambini e smaltirli in modo adeguato.
- **AVVERTENZA:** L'elettrodomestico e le parti accessibili si riscaldano molto durante l'uso. Tenere i bambini e gli animali domestici lontani dall'apparecchiatura durante l'uso e durante il raffreddamento.
- Se l'elettrodomestico ha un dispositivo di sicurezza per i bambini sarà opportuno attivarlo.
- I bambini non devono eseguire interventi di pulizia e manutenzione sull'elettrodomestico senza essere supervisionati.

## **1.2 Avvertenze di sicurezza generali**


- L'apparecchiatura è destinata solo alla cottura.
- Quest'apparecchiatura è progettata per un uso domestico singolo in un ambiente interno.
- Quest'apparecchiatura può essere utilizzata in uffici, camere d'albergo, camere di bed & breakfast, alloggi

in agriturismi e altre sistemazioni simili in cui tale utilizzo non superi i livelli di utilizzo domestico (medi).

- **AVVERTENZA:** L'elettrodomestico e le parti accessibili si riscaldano molto durante l'uso. Fare attenzione a non toccare gli elementi riscaldanti.
- **AVVERTENZA:** Non lasciare mai il piano cottura incustodito durante la preparazione di pietanze in quanto olio e grassi potrebbero incendiarsi.
- Non usare mai acqua per spegnere il fuoco di cottura. Spegnere l'apparecchiatura e coprire le fiamme, per esempio, con una coperta o un coperchio.
- **AVVERTENZA:** L'apparecchiatura non deve essere alimentata tramite un commutatore esterno, come un timer, o collegata a un circuito regolarmente acceso e spento da un'azienda.
- **ATTENZIONE:** Il processo di cottura deve essere sorvegliato. I processi di cottura brevi devono essere sorvegliati continuamente.
- **AVVERTENZA:** Pericolo di incendio: Non conservare alcun oggetto sulle superfici di cottura.
- Oggetti metallici quali coltelli, forchette, cucchiari e coperchi non devono essere posti sulla superficie del piano di cottura in quanto possono diventare molto caldi.
- Non utilizzare l'apparecchiatura prima di installarla nella struttura a incasso.
- Non utilizzare vaporelle per pulire l'elettrodomestico.
- Se la superficie in vetroceramica/vetro presenta delle crepe, spegnere l'apparecchiatura e scollegarla dalla presa di corrente. Qualora l'apparecchiatura sia collegata direttamente alla corrente mediante una scatola di derivazione, togliere il fusibile per scollegarla dall'alimentazione. In ogni caso, contattare il Centro Assistenza Autorizzato.
- In caso di rottura del vetro della piastra di cottura:
  - spegnere tutti i bruciatori e le resistenze elettriche e scollegare l'apparecchiatura dalla rete elettrica,

- non usare o toccare la superficie dell'apparecchiatura,
- non utilizzare l'apparecchiatura.
- Se il cavo di alimentazione è danneggiato, deve essere sostituito dal produttore, da un centro di assistenza autorizzato o da una persona qualificata per evitare situazioni di pericolo.
- Se l'apparecchiatura è collegata direttamente alla corrente, è necessario un interruttore onnipolare con contatti separati. Lo scollegamento completo deve avvenire in linea con le condizioni indicate nella categoria III di sovratensione. Il cavo di terra è escluso.
- Quando si posiziona il cavo di alimentazione, accertarsi che non entri in contatto diretto (per esempio utilizzando delle guaine isolanti) con elementi che possono raggiungere temperature superiori ai 50 °C rispetto alla temperatura ambiente.
- **AVVERTENZA:** Utilizzare esclusivamente protezioni per il piano cottura progettate dal produttore dell'apparecchiatura o indicate dallo stesso nelle istruzioni d'uso, come ad esempio accessori idonei o le protezioni per il piano cottura incorporate nell'apparecchiatura. Utilizzare protezioni inadeguate aumenta il rischio di incidenti.

## 2. ISTRUZIONI DI SICUREZZA

Questa apparecchiatura è adatta ai seguenti mercati: 

### 2.1 Installazione



#### **AVVERTENZA!**

L'installazione dell'apparecchiatura deve essere eseguita da personale qualificato.



#### **AVVERTENZA!**

Vi è il rischio di ferirsi o danneggiare l'apparecchiatura.

- Rimuovere tutti i materiali di imballaggio.
- Non installare o utilizzare l'apparecchiatura se è danneggiata.
- Attenersi alle istruzioni fornite insieme all'apparecchiatura.
- È necessario rispettare la distanza minima dalle altre apparecchiature.
- Prestare sempre attenzione in fase di spostamento dell'apparecchiatura,



dato che è pesante. Usare sempre i guanti di sicurezza e le calzature adeguate.

- Proteggere le superfici di taglio con un materiale di tenuta per evitare che l'umidità causi dei rigonfiamenti.
- Proteggere la base dell'apparecchiatura da vapore e umidità.
- Non installare l'apparecchiatura accanto ad una porta o sotto una finestra, per evitare che pentole calde cadano dall'apparecchiatura quando la porta o la finestra sono aperte.
- Se l'apparecchiatura viene installata sopra dei cassettei, assicurarsi che lo spazio, tra la base dell'apparecchiatura e il cassetto superiore, sia sufficiente per il ricircolo d'aria.
- La base dell'apparecchiatura può surriscaldarsi. Installare un pannello divisorio in materiale non infiammabile al di sotto dell'apparecchiatura per rendere inaccessibile la base.

## 2.2 Collegamento elettrico



### AVVERTENZA!

Rischio di incendio e scossa elettrica.

- Tutti i collegamenti elettrici devono essere effettuati da un elettricista qualificato.
- L'apparecchiatura deve disporre di una messa a terra.
- Prima di qualsiasi intervento è necessario verificare che l'apparecchiatura sia scollegata dalla rete elettrica.
- Verificare che i parametri sulla targhetta siano compatibili con le indicazioni elettriche dell'alimentazione.
- Verificare che l'apparecchiatura sia installata correttamente. L'allentamento di un collegamento elettrico o di una spina (ove previsti) può provocare un forte surriscaldamento del terminale.
- Utilizzare il cavo dell'alimentazione elettrica corretto.
- Non lasciare che il cavo dell'alimentazione elettrica si aggrovigli.

- Assicurarsi che sia installata una protezione contro gli urti.
- Utilizzare il serracavo sul cavo.
- Assicurarsi che il cavo dell'alimentazione o la spina (ove previsti) non sfiorino l'apparecchiatura o le pentole roventi quando si collega l'apparecchiatura a una presa.
- Non utilizzare prese multiple e prolunghe.
- Accertarsi di non danneggiare la spina o il cavo (ove previsti). Contattare il nostro Centro Assistenza autorizzato o un elettricista qualificato per sostituire un cavo danneggiato.
- I dispositivi di protezione da scosse elettriche devono essere fissati in modo tale da non poter essere disattivati senza l'uso di attrezzi.
- Inserire la spina di alimentazione nella presa solo al termine dell'installazione. Verificare che la spina di alimentazione rimanga accessibile dopo l'installazione.
- Nel caso in cui la spina di corrente sia allentata, non collegarla alla presa.
- Non tirare il cavo di alimentazione per scollegare l'apparecchiatura. Tirare sempre dalla spina.
- Servirsi unicamente di dispositivi di isolamento adeguati: interruttori automatici, fusibili (quelli a tappo devono essere rimossi dal portafusibile), sganciatori per correnti di guasto a terra e relè.
- L'impianto elettrico deve essere dotato di un dispositivo di isolamento che consenta di scollegare l'apparecchiatura dalla presa di corrente a tutti i poli. Il dispositivo di isolamento deve avere una larghezza dell'apertura di contatto non inferiore ai 3 mm.

## 2.3 Collegamento del gas



### ATTENZIONE!

Quando si utilizza una bombola del gas, tenerla sempre su una superficie orizzontale piana (con la valvola del gas in alto).

- Tutti i collegamenti del gas devono essere eseguiti da una persona qualificata.

- Prima di procedere con l'installazione, verificare che le condizioni di distribuzione locale (pressione e tipo di gas) e i valori preimpostati dell'apparecchiatura siano compatibili.
- Adottare le misure necessarie per garantire una corretta circolazione d'aria intorno all'apparecchiatura.
- Le informazioni relative all'alimentazione del gas si trovano sulla targhetta dei dati.
- La presente apparecchiatura non è collegata a un dispositivo per l'evacuazione dei residui di combustione. Assicurarsi di collegare l'apparecchiatura conformemente alle disposizioni vigenti sull'installazione. Attenersi ai requisiti per garantire un'adeguata ventilazione.
- Rimuovere tutto l'imballaggio, le etichette e la pellicola protettiva (se presente), prima del primo utilizzo.
- Assicurarsi che le aperture di ventilazione non siano bloccate.
- Non lasciare l'elettrodomestico incustodito durante il funzionamento.
- Impostare le zone di cottura su "off" dopo ogni utilizzo.
- Non appoggiare posate o coperchi sulle zone di cottura. Possono diventare roventi.
- Non accendere l'elettrodomestico con le mani bagnate o quando è a contatto con l'acqua.
- Non utilizzare l'elettrodomestico come superficie di lavoro o come superficie di deposito.
- Quando si immergono gli alimenti nell'olio bollente, questo potrebbe schizzare.

## 2.4 Utilizzo:



### AVVERTENZA!

Rischio di lesioni, ustioni o scosse elettriche.



### ATTENZIONE!

L'uso di un'apparecchiatura di cottura a gas determina la produzione di calore, umidità e prodotti di combustione nella stanza in cui è installata. Assicurarsi che la cucina sia ben ventilata, specialmente quando l'apparecchiatura è in uso. L'uso prolungato e intenso dell'apparecchiatura può richiedere un'ulteriore ventilazione, ad esempio, l'aumento della ventilazione meccanica, ove presente, una ventilazione aggiuntiva per rimuovere in modo sicuro i prodotti della combustione nell'aria esterna, fornendo al tempo stesso un ricambio di aria ambiente con un'ulteriore ventilazione. Consultare un tecnico qualificato, prima di installare la ventilazione aggiuntiva.

- Non modificare le specifiche tecniche dell'apparecchiatura.



### AVVERTENZA!

Pericolo di incendio ed esplosioni.

- Grassi e olio riscaldati possono rilasciare vapori infiammabili. Tenere le fiamme o gli oggetti caldi lontani da grassi e oli in fase di cottura.
- I vapori rilasciati dall'olio a temperatura elevata possono provocare una combustione spontanea.
- L'olio usato, che può contenere residui di cibo, può causare un incendio a una temperatura inferiore rispetto all'olio utilizzato per la prima volta.
- Non appoggiare o tenere liquidi o materiali infiammabili, né oggetti facilmente infiammabili sull'apparecchiatura, al suo interno o nelle immediate vicinanze.



### AVVERTENZA!

Vi è il rischio di danneggiare l'apparecchiatura.

- Non tenere pentole calde sul pannello dei comandi.
- Non esporre al calore pentole vuote.
- Fare attenzione a non lasciar cadere oggetti o pentole sull'apparecchiatura. La superficie si potrebbe danneggiare.

- Non lasciare mai un bruciatore acceso con o senza tegami vuoti sopra.
- Non mettere fogli di alluminio sull'apparecchiatura.
- Le pentole in ghisa, alluminio o con il fondo danneggiato possono graffiare la superficie in vetro/vetroceramica. Sollevare sempre questi oggetti quando è necessario spostarli sulla superficie di cottura.
- Utilizzare solo tegami stabili con la forma corretta e il diametro più grande rispetto alle dimensioni dei bruciatori.
- Assicurarsi che le pentole siano posizionate al centro dei bruciatori.
- Non usare pentole di grandi dimensioni che siano più grandi dei bordi dell'apparecchiatura. Ciò potrebbe danneggiare la superficie del piano cottura.
- Accertarsi che la fiamma non si spenga quando si gira rapidamente la manopola dalla posizione massima a quella minima.
- Utilizzare solo gli accessori forniti con l'apparecchiatura.
- Non installare uno spargifiamma sul bruciatore.
- Non lasciare che sostanze acide, come per esempio aceto, succo di limone o anticalcare vengano a contatto con il piano cottura. Ciò può causare macchie opache.
- Lo scolorimento dello smalto o dell'acciaio inox non influisce sulle prestazioni dell'elettrodomestico.
- Pulire regolarmente l'apparecchiatura per evitare il deterioramento dei materiali che compongono la superficie.
- Disattivare l'apparecchiatura e lasciarla raffreddare prima di procedere con la pulizia.
- Non nebulizzare acqua né utilizzare vapore per pulire l'apparecchiatura.
- Pulire l'apparecchiatura con un panno inumidito e morbido. Utilizzare solo detersivi neutri. Non usare prodotti abrasivi, spugnette abrasive, solventi od oggetti metallici.
- Non pulire i bruciatori in lavastoviglie.

## 2.6 Assistenza

- Per far riparare l'apparecchiatura, rivolgersi a un Centro di Assistenza Autorizzato. Utilizzare solo ricambi originali.

## 2.7 Smaltimento



### AVVERTENZA!

Rischio di lesioni o soffocamento.

- Contattare le autorità locali per ricevere informazioni su come smaltire correttamente l'apparecchiatura.
- Staccare la spina dall'alimentazione elettrica.
- Tagliare il cavo elettrico dell'apparecchiatura e smaltirlo.
- Avvolgere i tubi del gas esterni.

## 2.5 Pulizia e cura



### AVVERTENZA!

Non togliere pulsanti, manopole o guarnizioni dal pannello dei comandi. L'acqua potrebbe penetrare nell'apparecchiatura e causare danni.

# 3. INSTALLAZIONE



### AVVERTENZA!

Fare riferimento ai capitoli sulla sicurezza.

## 3.1 Prima dell'installazione

Prima di installare il piano di cottura, annotare l'informazione riportata di seguito presente sulla targhetta dei dati.

La targhetta dei dati è applicata sul lato inferiore del piano di cottura.

Modello .....  
 PNC .....  
 Numero di serie .....

### 3.2 Collegamento gas



#### AVVERTENZA!

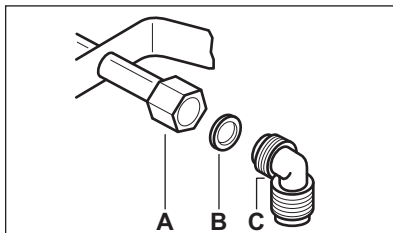
Le seguenti istruzioni d'installazione, manutenzione e ventilazione devono essere eseguite da personale qualificato conformemente alle disposizioni vigenti (UNI-CIG 7129 - 7131). Accertarsi che la cucina sia adeguatamente ventilata: tenere aperti i fori di ventilazione naturali (almeno 100 cm<sup>2</sup>) o installare una cappa meccanica.

Scegliere dei collegamenti fissi o usare un tubo flessibile in acciaio inossidabile conforme alle disposizioni vigenti. Se si utilizzano tubi in metallo flessibili, fare attenzione che non entrino in contatto con parti mobili o non siano schiacciati. Ulteriore attenzione è richiesta qualora al piano di cottura fosse abbinato il forno.



Accertarsi che la pressione del gas di alimentazione dell'apparecchiatura sia conforme ai valori consigliati.

Se la pressione fornita non ha il valore specificato, è necessario montare un adeguato regolatore di pressione in conformità allo standard UNI EN 88. Per il gas liquido (GPL), l'utilizzo di un regolatore di pressione è consentito solo in conformità allo standard UNI EN 12864. Il collegamento regolabile è fissato alla rampa per mezzo di un dado filettato G 1/2". Avvitare le parti senza forzare, regolare il raccordo nella direzione voluta e serrare il tutto.



- A. Estremità dell'albero con dado
- B. Rondella fornita in dotazione con l'apparecchiatura
- C. Gomito fornito in dotazione con l'apparecchiatura

#### Collegamento rigido:

Eseguire il collegamento mediante tubi in metallo rigidi (rame con finecorsa meccanico) (UNI-CIG 7129).

#### Collegamento flessibile:

Utilizzare un tubo flessibile in acciaio inox (UNI-CIG 9891) con una lunghezza massima di 2 m.



#### AVVERTENZA!

Al termine dell'installazione, verificare la tenuta di ciascun raccordo dei tubi. Usare una soluzione saponata, non una fiamma!

### 3.3 Sostituzione degli iniettori

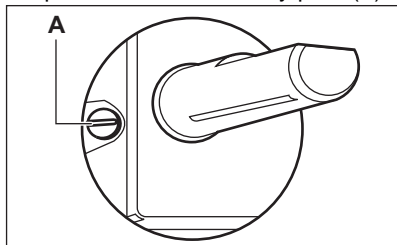
1. Rimuovere i supporti pentole.
2. Rimuovere gli spartifiamma e le corone del bruciatore.
3. Con una chiave a bussola N. 7, togliere gli iniettori e sostituirli con quelli richiesti per il tipo di gas utilizzato (vedere la tabella della sezione "Dati tecnici").
4. Rimontare i componenti, seguendo la stessa procedura in senso inverso.
5. Fissare l'etichetta col nuovo tipo di alimentazione gas vicino al tubo di alimentazione del gas. Questa etichetta è presente nell'imballo fornito con l'apparecchiatura.

Se la pressione del gas di alimentazione è variabile o differente da quella prevista, montare un adattatore di pressione adeguato nel tubo di alimentazione del gas.

### 3.4 Regolazione del livello minimo

Per regolare il livello minimo dei bruciatori:

1. Accendere il bruciatore.
2. Ruotare la manopola sulla posizione minima.
3. Rimuovere la manopola.
4. Con un cacciavite sottile, regolare la posizione della vite di by-pass (A).



5. Se si modifica:
  - da gas naturale a G20 - 20 mbar a gas liquido, serrare a fondo la vite di bypass.
  - da gas liquido a gas naturale G20 a 20 mbar, svitare la vite di bypass di circa 1/4 di giro (1/2 giro per bruciatore multti-corona).



#### AVVERTENZA!

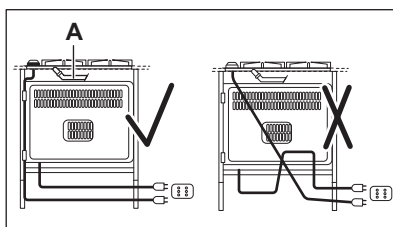
Accertarsi che la fiamma non si spenga quando si gira rapidamente la manopola dalla posizione massima a quella minima.

### 3.5 Collegamento elettrico

- Verificare che la tensione nominale e il tipo di corrente della rete di distribuzione corrispondano ai valori indicati sulla targhetta dei dati dell'apparecchiatura.
- L'apparecchiatura è provvista di cavo di collegamento alla rete. Deve essere dotato di una spina in grado di supportare il carico indicato sulla targhetta dei dati. Accertarsi di inserire la spina nella presa corretta.
- Utilizzare sempre una presa elettrica con contatto di protezione correttamente installata.
- Verificare che la spina di alimentazione rimanga accessibile dopo l'installazione.

- Non tirare il cavo di alimentazione per scollegare l'apparecchiatura. Tirare sempre dalla spina.
- Collegando l'apparecchiatura a una prolunga, adattatore o presa multipla esiste il rischio di incendio. Accertarsi che il collegamento di messa a terra sia in linea con le disposizioni e le norme in vigore.
- Il cavo di alimentazione non deve riscaldarsi ad una temperatura superiore a 90°C.

Per evitare il contatto tra il cavo e l'apparecchiatura al di sotto del piano di cottura, utilizzare dei morsetti sul lato dell'unità.

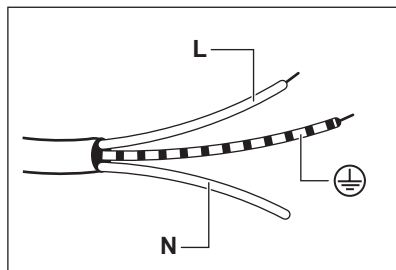


- A. Condotto rigido in rame o tubo flessibile in acciaio inox


### 3.6 Cavo di collegamento

Per sostituire il cavo di collegamento utilizzare esclusivamente il cavo speciale o un suo equivalente. Il tipo di cavo è: H03V2V2-F T90.

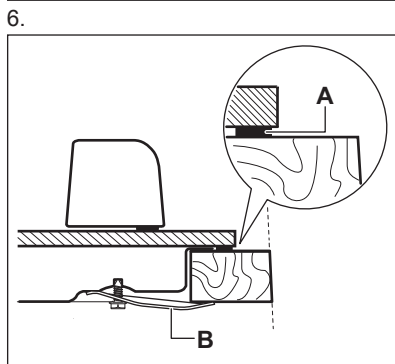
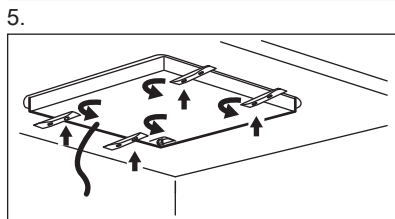
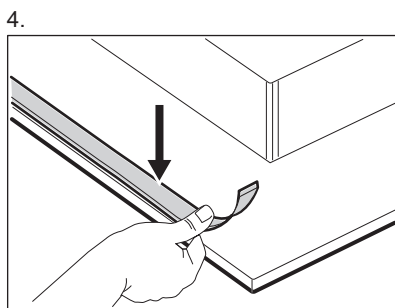
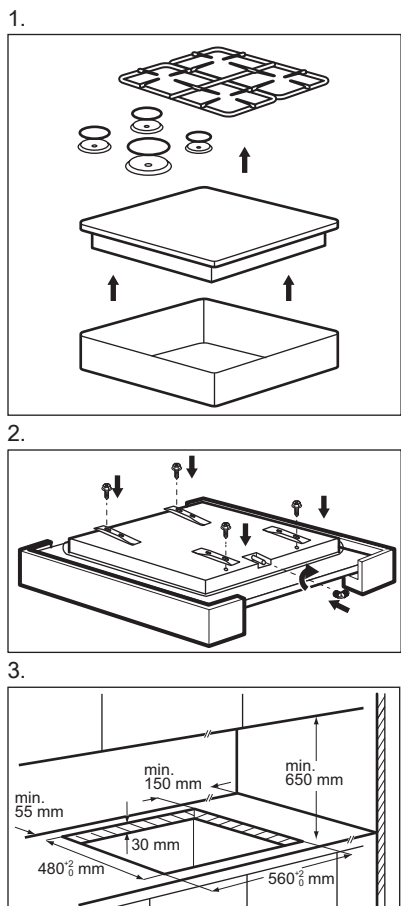
Accertarsi che il cavo sia di sezione idonea alla tensione e alla temperatura di esercizio. Il cavo di terra giallo/verde deve essere circa 2 cm più lungo del cavo di fase marrone (o nero).



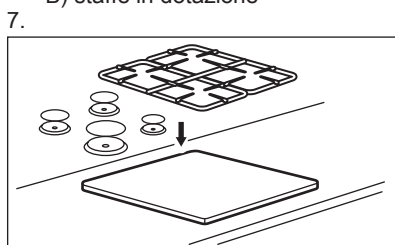
1. Collegare il filo di colore verde e giallo (terra) al morsetto contrassegnato dalla lettera "E" o dal

- simbolo di terra  o colorato di verde e giallo.
- Collegare il filo di colore blu (neutro) al morsetto contrassegnato dalla lettera 'N' o colorato di blu.
  - Collegare il cavo di fase marrone (tensione) al terminale contrassegnato con la lettera "L". Questo deve sempre essere collegato alla fase di rete.

### 3.7 Montaggio



A) guarnizione in dotazione  
B) staffe in dotazione



**ATTENZIONE!**  
Installare l'apparecchiatura esclusivamente su un piano di lavoro dalla superficie piana.

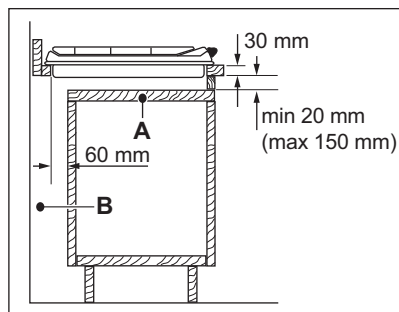
### 3.8 Installazione del piano di cottura sotto la cappa da cucina

- i** Se si installa il piano di cottura sotto a una cappa da cucina, fare riferimento alle istruzioni per l'installazione della cappa per la distanza minima tra le apparecchiature.

### 3.9 Possibilità di inserimento

Il pannello installato sotto il piano di cottura deve essere facilmente rimovibile e altrettanto facilmente deve consentire l'accesso in caso di interventi dell'assistenza tecnica.

### Unità da cucina con porta



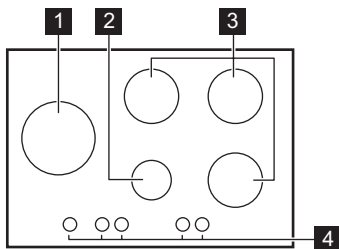
- A. Pannello rimovibile  
B. Spazio per gli allacciamenti

### Mobile da incasso con forno

Il collegamento elettrico del piano di cottura e del forno deve essere eseguito separatamente per questioni di sicurezza oltre che per consentire una facile rimozione del forno dall'unità.

## 4. DESCRIZIONE DEL PRODOTTO

### 4.1 Disposizione della superficie di cottura



- 1** Bruciatore multi corona  
**2** Brûleur auxiliaire  
**3** Bruciatore semi-rapido  
**4** Manopole di regolazione

### 4.2 Manopola di regolazione

Simbolo	Description
●	alimentazione gas assente/posizione di spento
★	posizione di accensione/ alimentazione massima del gas

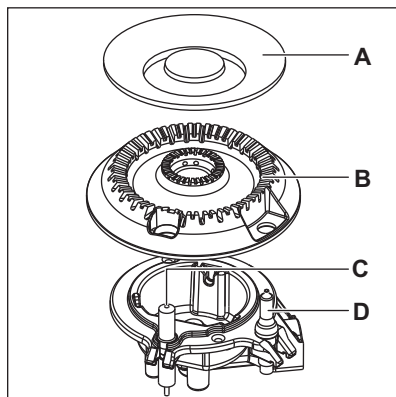
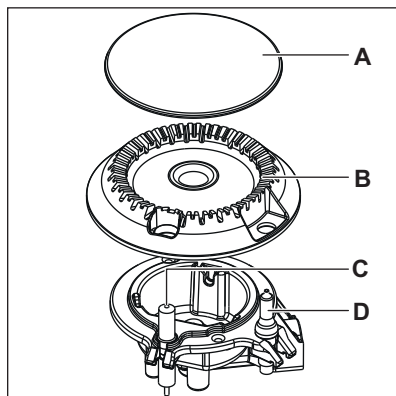
Simbolo	Description
<b>1</b>	alimentazione minima del gas
<b>1 - 9</b>	livelli di potenza

## 5. UTILIZZO QUOTIDIANO



**AVVERTENZA!**  
Fare riferimento ai capitoli sulla sicurezza.

### 5.1 Panoramica bruciatore



- A. Spartifiamma bruciatore
- B. Corona bruciatore
- C. Candela di accensione
- D. Termocoppia

### 5.2 Accensione del bruciatore



Accendere sempre il bruciatore prima di posizionare una pentola.



**AVVERTENZA!**  
Fare attenzione in fase di utilizzo di fiamme libere all'interno della cucina. Il produttore declina qualsiasi responsabilità in caso di cattivo utilizzo delle fiamme.

1. Premere la manopola di regolazione e ruotarla in senso antiorario fino alla posizione massima (☼).
2. Tenere premuta la manopola di regolazione per circa 10 secondi. Questo consentirà il riscaldamento della termocoppia. In caso contrario, l'alimentazione del gas verrà interrotta.
3. Regolare la fiamma, dopo che si è stabilizzata.



Se il bruciatore non si accende dopo alcuni tentativi, controllare che la corona e lo spartifiamma siano correttamente posizionati.



**AVVERTENZA!**  
Non tenere la manopola di regolazione premuta per oltre 15 secondi. Se il bruciatore non si accende dopo 15 secondi, rilasciare la manopola di regolazione, ruotarla in posizione di spento e attendere almeno 1 minuto prima di tentare di riaccendere il bruciatore.



**ATTENZIONE!**

In assenza di elettricità è possibile accendere il bruciatore senza utilizzare il dispositivo elettrico; in tal caso sarà sufficiente avvicinarsi al bruciatore con una fiamma, premere verso il basso la relativa manopola e ruotarla in senso antiorario verso la posizione di massimo rilascio del gas. Mantenere premuta la manopola di regolazione per circa 10 secondi per far riscaldare la termocoppia.



Nel caso in cui il bruciatore si dovesse spegnere, ruotare la manopola di regolazione in posizione di spento per cercare di riaccendere il bruciatore dopo almeno 1 minuto.



Il generatore di scintille si avvia in modo automatico all'accensione delle prese, dopo l'installazione o dopo un'interruzione di corrente. Non si tratta di un'anomalia di funzionamento.

**5.3 Spegnimento del bruciatore**

Per spegnere la fiamma, ruotare la manopola in posizione di spento ●.

**AVVERTENZA!**

Ridurre o spegnere sempre la fiamma prima di rimuovere le pentole dal bruciatore.

**6. CONSIGLI E SUGGERIMENTI UTILI****AVVERTENZA!**

Fare riferimento ai capitoli sulla sicurezza.

**6.1 Pentole****ATTENZIONE!**

Non usare pentole in ghisa, teglie in terracotta o coccio, accessori per il grill o piastre tostapane.

**AVVERTENZA!**

Non mettere la stessa pentola su due bruciatori.

**AVVERTENZA!**

Evitare di posare sul bruciatore pentole instabili o deformate per prevenire versamenti e lesioni.

**ATTENZIONE!**

Assicurarsi che i basamenti delle pentole non siano poggiati troppo vicini alla manopola di regolazione, altrimenti la fiamma potrebbe surriscaldarla.

**ATTENZIONE!**

Assicurarsi che i manici della pentola non si trovino al di sopra del bordo anteriore del piano di cottura.

**ATTENZIONE!**

Assicurarsi che le pentole siano ben centrate sul bruciatore per ottenere la massima stabilità e per un consumo ridotto di gas.

**ATTENZIONE!**

I liquidi versati durante la cottura possono causare la rottura del vetro.

## 6.2 Diametro delle pentole



### ATTENZIONE!

Usare pentole con diametro adatto alle dimensioni dei bruciatori.

Bruciatore	Diametro delle pentole (mm)
Multi corona	180 - 260

Bruciatore	Diametro delle pentole (mm)
Semi rapido	120 - 220
Ausiliario	80 - 180

## 6.3 Ricette suggerite

Categorie cibo	Ricette	Tipo di bruciatore	Livello di potenza
Salse - Condimenti	Besciamella	Ausiliario	2-4
	Salsa di pomodoro	Semi rapido	1 - 5
Pasta - Riso - altri Cereali	Riso ai funghi	Multi corona	1 - 5
	Cuscus	Rapido	1-6
	Ravioli	Ausiliario	6-9
Zuppa - Verdura	Zuppa vegetale	Semi rapido	2-7
	Zuppa di funghi e patate	Semi rapido	1 - 5
	Zuppa di pesce	Multi corona	1-4
Carne	Polpette di carne	Multi corona	1-6
	Filetto o arrosto di maiale	Multi corona	4-9
	Burger di manzo al gratin	Ausiliario	1 - 5
Pesce	Seppia con piselli	Multi corona	1 - 5
	Filetto di tonno arrosto	Rapido	5 - 8
Pasti a base di uova	Omelette	Multi corona	1 - 5
Verdure	Funghi con condimenti	Semi rapido	2-6
	Caponata con verdure	Multi corona	4 - 8
	Spinaci surgelati con burro	Rapido	1-4
Piatti fritti	Patatine fritte	Multi corona	5-9
	Ciambelle	Multi corona	3-7

Categorie cibo	Ricette	Tipo di bruciatore	Livello di potenza
Snack cotti con padella	Noccioline arrostate	Semi rapido	2 - 5
	Crouton di pane	Multi corona	2-7
	Pancake	Semi rapido	3-9
Dessert	Caramello	Ausiliario	1 - 5
	Crema pasticcera	Ausiliario	1 - 5
	Panna Cotta	Ausiliario	1 - 5



Tutte le ricette sono indicativamente per 4 porzioni.



Per una cottura delicata ottimale usare il bruciatore ausiliario.



Le impostazioni consigliate nella tabella di cottura dovrebbero fungere solo da linee guida ed essere regolate a seconda della crudezza del cibo, del peso e della quantità oltre che del tipo di gas usato e del materiale dei tegami usati per preparare il pesce.

## 7. PULIZIA E CURA



**AVVERTENZA!**  
Fare riferimento ai capitoli sulla sicurezza.

- Lavare le parti in acciaio inox con acqua e asciugarle con un panno morbido.

### 7.1 Informazioni generali

- Pulire il piano di cottura dopo ogni impiego.
- Usare sempre pentole con il fondo pulito.
- I graffi o le macchie scure sulla superficie non compromettono il funzionamento del piano di cottura.
- Usare un prodotto di pulizia adatto alla superficie del piano di cottura.



**AVVERTENZA!**  
Non usare coltelli, raschietti o strumenti simili per pulire la superficie del vetro o tra i bordi del bruciatore e del telaio (se pertinente).

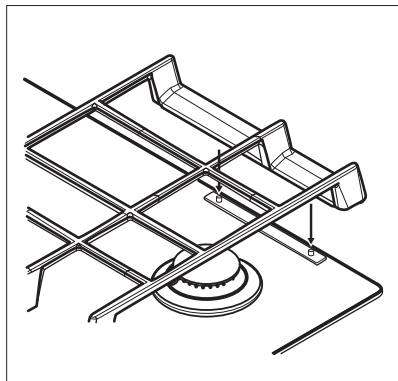
### 7.2 Supporti pentole



I supporti pentole non possono essere lavati in lavastoviglie. Devono essere lavati a mano.

1. È possibile rimuovere i supporti pentole e pulire in modo facile il piano di cottura.
2. Fare molta attenzione quando si sostituiscono i supporti pentole: il piano di cottura si potrebbe danneggiare.
2. Il rivestimento smaltato a volte può presentare dei bordi ruvidi, quindi prestare attenzione nel lavare ed asciugare i supporti pentole a mano.

- Se necessario, rimuovere le macchie più ostinate servendosi di un apposito prodotto in pasta.
3. Dopo aver pulito i supporti pentole, assicurarsi che siano riposizionati correttamente.
  4. Per fare in modo che il bruciatore funzioni correttamente, verificare che le braccia dei supporti pentole si trovino allineati al centro del bruciatore.

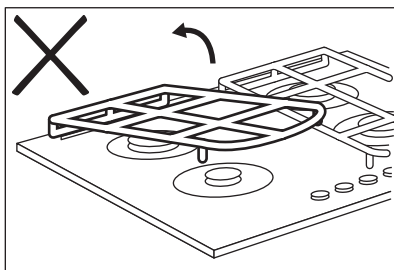
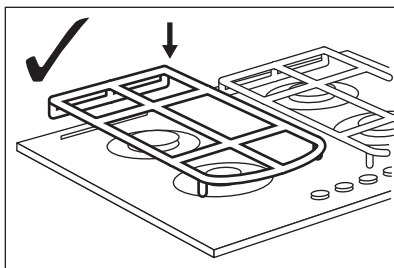
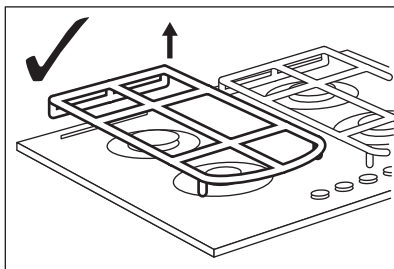


### 7.3 Rimozione dei supporti pentole

Per mantenere i supporti pentole nella posizione corretta, questi vengono posizionati su dei perni metallici sul lato posteriore del piano di cottura. Per consentire una migliore pulizia, è possibile rimuovere i supporti pentole dal piano di cottura. Sollevare le griglie del piano cottura mantenendole in posizione orizzontale come illustrato nell'immagine.



Non sollevare i supporti pentole tenendoli inclinati, per evitare qualsiasi tipo di sollecitazione sui perni metallici. Farlo potrebbe danneggiare i perni e causarne la rottura.



La forma dei supporti pentole e il numero di bruciatori possono variare in altri modelli dell'apparecchiatura.

### 7.4 Pulizia del piano di cottura

- **Togliere immediatamente:** plastica sciolta, pellicola in plastica, zucchero e alimenti con zucchero, in caso contrario la sporcizia potrebbe causare danni al piano cottura. Attenzione a evitare le ustioni.
- **Quando il piano di cottura è sufficientemente raffreddato, è possibile rimuovere:** i segni di calcare e d'acqua, le macchie di grasso e le macchie opalescenti. Pulire il piano di cottura con un panno umido e un detergente non abrasivo. Al termine della pulizia, asciugare il

piano di cottura con un panno morbido.

- Per pulire gli elementi smaltati, lo spartifiamma e la corona, lavarli con acqua calda saponata e asciugarli attentamente prima di sistemarli nuovamente.

## 7.5 Pulizia della candela

Questa caratteristica viene ottenuta tramite una candela ceramica ed un

elettrodo di metallo. Tenere questi componenti ben puliti per evitare difficoltà di accensione e controllare che i fori spartifiamma non siano ostruiti.

## 7.6 Manutenzione periodica

Consultare periodicamente il Centro di Assistenza autorizzato locale per verificare le condizioni del tubo della fornitura di gas e del regolatore di pressione, se presente.

# 8. RISOLUZIONE DEI PROBLEMI



### AVVERTENZA!

Fare riferimento ai capitoli sulla sicurezza.

## 8.1 Cosa fare se...

Problema	Causa possibile	Rimedio
Il gas non si accende quando si preme il pulsante di accensione.	Il piano di cottura non è collegato a una fonte di alimentazione elettrica o non è collegato correttamente.	Accertarsi che il piano di cottura sia collegato correttamente alla rete elettrica.
	È scattato il fusibile.	Verificare se l'anomalia di funzionamento è dovuta al fusibile. Nel caso in cui il fusibile continui a scattare, rivolgersi ad un elettricista qualificato.
	Lo spartifiamma del bruciatore e la corona non sono posizionati correttamente.	Posizionarli adeguatamente.
La fiamma si spegne immediatamente dopo l'accensione.	La termocoppia non si è riscaldata a sufficienza.	Dopo aver acceso la fiamma, tenere premuta la manopola per circa 10 secondi.
L'anello della fiamma non è omogeneo.	La corona del bruciatore è bloccata da residui di cibo.	Controllare che l'iniettore principale non sia ostruito e che la corona del bruciatore sia pulita.

## 8.2 Se non è possibile trovare una soluzione...

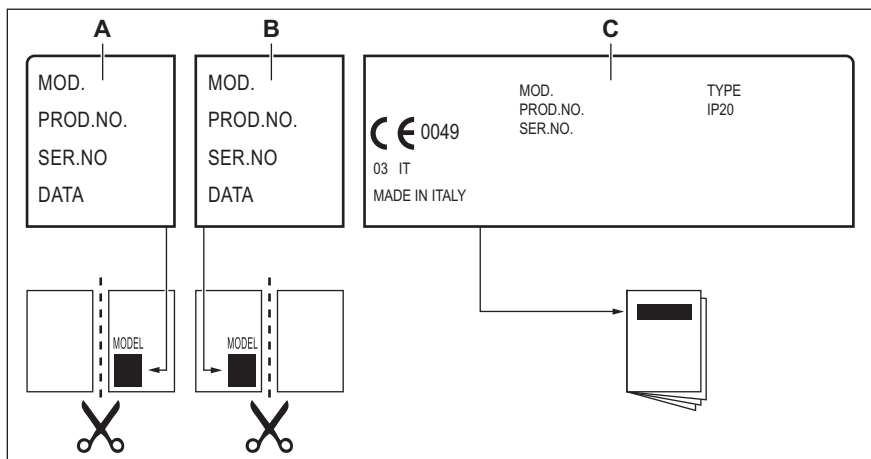
Qualora non sia possibile trovare una soluzione al problema, contattare il rivenditore o il Centro di Assistenza Autorizzato. Fornire i dati riportati sulla

targhetta dei dati. Assicurarsi di aver acceso il piano di cottura correttamente. In caso di azionamento errato dell'apparecchiatura, l'intervento del tecnico del Centro di Assistenza o del rivenditore potrà essere effettuato a pagamento anche durante il periodo di

garanzia. Le istruzioni relative al Centro di Assistenza e alle condizioni di garanzia sono contenute nel libretto della garanzia.

### 8.3 Etichette fornite con il sacchetto degli accessori

Attaccare le etichette adesive come indicato di seguito:



- A. Attaccarla sul Foglietto di garanzia ed inviare questa parte (ove prevista).
- B. Attaccarla sul Foglietto di garanzia e conservare questa parte (ove prevista).
- C. Attaccarla sul libretto di istruzioni.

## 9. DATI TECNICI

### 9.1 Dimensioni del piano di cottura

Larghezza	740 mm
Profondità	510 mm

### 9.2 Diametri bypass

BRUCIATORE	Ø BYPASS 1/100 mm
Multi corona	57
Semi rapido	35
Ausiliario	28

### 9.3 Altri dati tecnici

POTENZA TOTALE:	Gas - Originale:	G20 (2H) 20 mbar	10,45 kW
	Gas - sostituzione:	G30 (3+) 28-30 mbar	745 g/h
		G31 (3+) 37 mbar	732 g/h
Alimentazione elettrica:	220-240 V ~ 50-60 Hz		
Categoria dell'apparecchiatura:	II2H3+		
Collegamento gas:	G 1/2"		
Classe dell'apparecchiatura:	3		

### 9.4 Bruciatori a GAS NATURALE G20 a 20 mbar

BRUCIATORE	POTENZA NORMALE kW	POTENZA MINIMA kW	SEGNO INIETTORE
Multi corona	3,9	1,4	146
Semi rapido	1,85	0,6	92
Ausiliario	1,0	0,33	70

### 9.5 Bruciatori a gas per GPL G30/G31 28-30/37 mbar

BRUCIATORE	POTENZA NORMALE kW	POTENZA MINIMA kW	SEGNO INIETTORE	PORTATA NOMINALE GAS g/h	
				G30 28-30 mbar	G31 37 mbar
Multi corona	3,55	1,4	095	258	254
Semi rapido	1,9	0,6	71	138	136
Ausiliario	1,0	0,33	50	73	71

## 10. EFFICIENZA ENERGETICA

### 10.1 Informazioni prodotto conformi alla norma UE 66/2014

Identificativo modello	HKB75820NB
Tipo di piano di cottura	Piano cottura a incasso


Numero di bruciatori a gas	5	
Efficienza energetica per bruciatore a gas (EE gas burner)	Posteriore destro - Semirapido	58,1%
	Anteriore destro - Semirapido	56,7%
	Centrale sinistro - Multi Corona	56,0%
	Posteriore centrale - Semirapido	56,0%
	Centrale anteriore - Ausiliario	non applicabile
Efficienza energetica per il piano di cottura a gas (EE gas hob)	56.7%	


EN 30-2-1: Gas combustibile per elettrodomestici di cottura - Parte 2-1 : Impiego razionale dell'energia - Informazioni generali

## 10.2 Risparmio energetico

- Prima dell'uso, assicurarsi che i bruciatori e i supporti pentole siano assemblati correttamente.
- Usare pentole con diametro adatto alle dimensioni dei bruciatori.
- Centrare la pentola sul bruciatore.
- Quando si riscalda l'acqua, utilizzare solo la quantità necessaria.
- Se possibile, coprire sempre le pentole con il coperchio.
- Quando il liquido inizia a bollire, abbassare la fiamma per provocare una lenta ebollizione del liquido.
- Se possibile, utilizzare una pentola a pressione. Fare riferimento al relativo manuale per l'utente.

## 11. CONSIDERAZIONI SULL'AMBIENTE

Riciclare i materiali con il simbolo . Buttare l'imballaggio negli appositi contenitori per il riciclaggio. Aiutare a proteggere l'ambiente e la salute umana e a riciclare rifiuti derivanti da apparecchiature elettriche ed elettroniche. Non smaltire le apparecchiature che riportano il simbolo

 insieme ai normali rifiuti domestici. Portare il prodotto al punto di riciclaggio più vicino o contattare il comune di residenza.

Electrolux Appliances AB - Contact  
Address: Al. Powstańców Śląskich 26,  
30-570 Kraków, Poland









[www.aeg.com/shop](http://www.aeg.com/shop)



867367422-B-132022



**AEG**