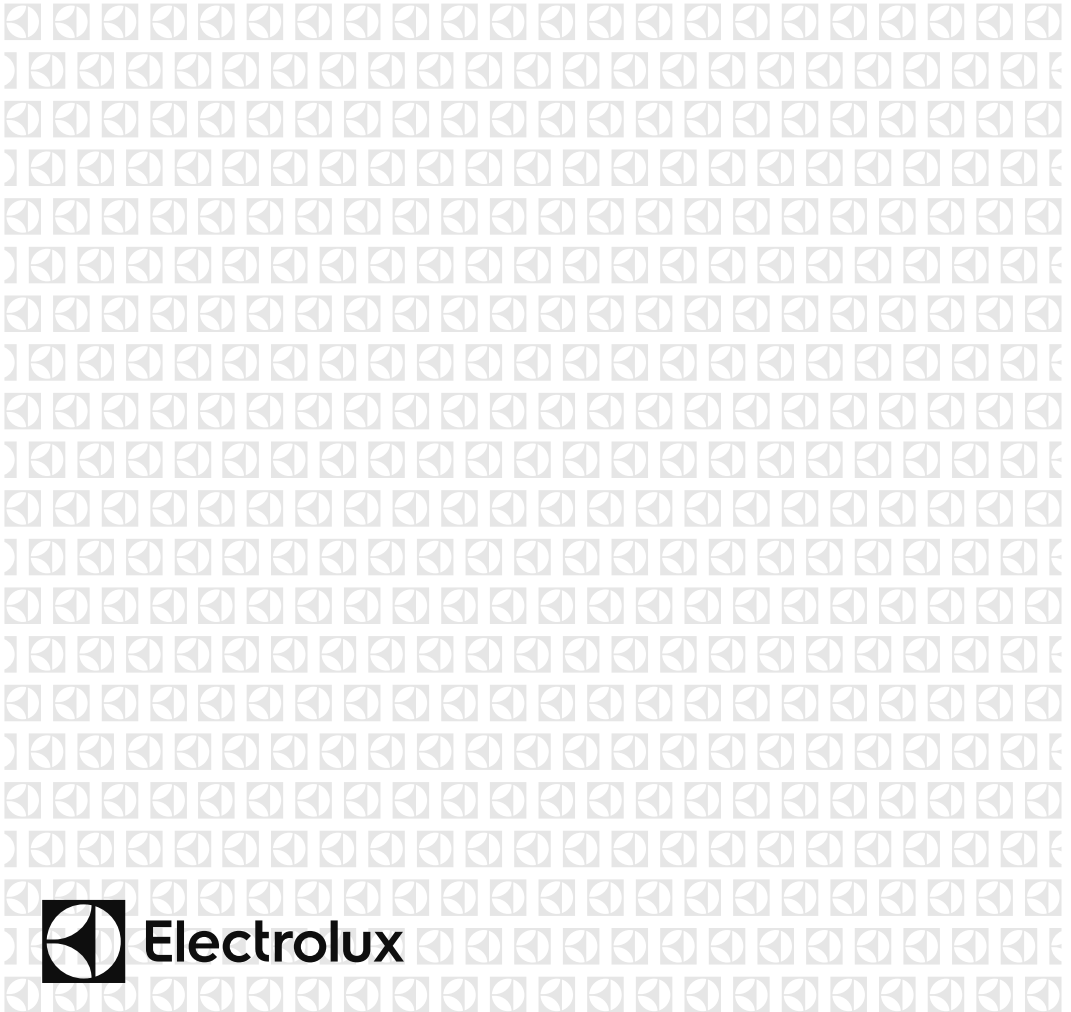


EN Microwave Oven
IT Forno a Microonde

User Manual
Manuale per L'utente

2
19



Electrolux

CONTENTS

1. SAFETY INFORMATION.....	3
2. INSTALLATION.....	7
3. PRODUCT DESCRIPTION.....	11
4. OPERATION.....	12
5. HINTS AND TIPS.....	15
6. TROUBLESHOOTING.....	17
7. TECHNICAL INFORMATION.....	18
8. ENVIRONMENT CONCERNS.....	18

WE'RE THINKING OF YOU

Thank you for purchasing an Electrolux appliance. You've chosen a product that brings with it decades of professional experience and innovation. Ingenious and stylish, it has been designed with you in mind. So whenever you use it, you can be safe in the knowledge that you'll get great results every time. Welcome to Electrolux.

Visit our website for:



Get usage advice, brochures, trouble shooter, service information:
www.electrolux.com



Register your product for better service:
www.electrolux.com/productregistration



Buy Accessories, Consumables and Original spare parts for your appliance:
www.electrolux.com/shop

CUSTOMER CARE AND SERVICE

We recommend the use of original spare parts.

When contacting Service, ensure that you have the following data available.

The information can be found on the rating plate. Model, PNC, Serial Number.

 Warning/Caution-Safety information

 General information and tips

 Environmental information

Subject to change without notice.

1. SAFETY INFORMATION

This appliance can be used by children aged from 8 years and above and persons with reduced physical, sensory or mental capabilities or lack of experience and knowledge if they have been given supervision or instruction concerning use of the appliance in a safe way and understand the hazards involved. Children should be supervised to ensure that they do not play with the appliance. Cleaning and user maintenance shall not be made by children unless they are aged from 8 years and above and supervised.

This appliance is not intended for use at altitudes above 2000m.



IMPORTANT! IMPORTANT SAFETY INSTRUCTIONS: READ CAREFULLY AND KEEP FOR FUTURE REFERENCE.



WARNING!

If the door or door seals are damaged, the oven must not be operated until it has been repaired by a competent person.



WARNING!

It is hazardous for anyone other than a competent person to carry out any service or repair operation that involves the removal of a cover which gives protection against exposure to microwave energy.



WARNING!

Liquids and other foods must not be heated in sealed containers since they are liable to explode.

This appliance is intended to be used in household and similar applications such as: staff kitchen areas in shops, offices and other working environments; farm houses; by clients in hotels, motels and other residential environments; bed and breakfast type environments.

Only use microwave-safe containers and utensils.

Metallic containers for food and beverages are not allowed during microwave cooking.

Do not leave the oven unattended when using disposable plastic, paper or other combustible food containers.

The microwave oven is intended for heating food and beverages. Drying of food or clothing and heating of warming pads, slippers, sponges, damp cloth and similar may lead to risk of injury, ignition or fire.

If food being heated begins to smoke, **DO NOT OPEN THE DOOR**. Turn off and unplug the oven and wait until the food has stopped smoking. Opening the door while food is smoking may cause a fire.

Microwave heating of beverages can result in delayed eruptive boiling, therefore care has to be taken when handling the container.

The contents of feeding bottles and baby food jars shall be stirred or shaken and the temperature checked before consumption, in order to avoid burns.

Do not cook eggs in their shells and whole hard boiled eggs should not be heated in microwave ovens since they may explode even after microwave cooking has ended.

1.1 Care and cleaning

Door:

To remove all trace of dirt, regularly clean both sides of the door, the door seals and sealing surfaces with a soft, damp cloth. Do not use harsh abrasive cleaners or sharp metal scrapers to clean the oven door glass since they can scratch the surface, which may result in shattering of the glass.

Oven interior:

For cleaning, wipe any splatters or spills with a soft damp cloth or sponge after each use while the oven is still warm. For heavier spills, use a mild soap and wipe several times with a damp cloth until all residues are removed. Do not remove the waveguide cover. Make sure that mild soap or water does not penetrate the small vents in the walls which may cause damage to the oven. Do not use spray type cleaners on the oven interior. Heat up your oven regularly by using the grill. Remaining food or fat splashed can cause smoke or a bad smell. Clean the waveguide cover, the oven cavity, the turntable and turntable support after use. These must be dry and free from grease. Built-up grease may overheat and begin to smoke or catch fire.

Oven exterior:

The outside of your oven can be cleaned easily with mild soap and water. Make sure the soap is wiped off with a moist cloth, and dry the exterior with a soft towel.

Control panel:

Open the door before cleaning to de-activate the control panel. Care should be taken when cleaning the control panel. Using a cloth dampened with water only, gently wipe the panel until it becomes clean. Avoid using excessive amounts of water. Do not use any sort of chemical or abrasive cleaner.

Turntable and turntable support:

Remove the turntable and turntable support from the oven. Wash the turntable and turntable support in mild soapy water. Dry with a soft cloth. Both the turntable and the turntable support are dishwasher safe.

Rack:

This should be washed in a mild washing up liquid solution and dried. The rack is dishwasher safe.



IMPORTANT!

Clean the oven at regular intervals and remove any food deposits. Failure to maintain the oven in a clean condition could lead to a deterioration of the surface that could adversely affect the life of the appliance and possibly result in a hazardous situation.

Care should be taken not to displace the turntable when removing containers from the appliance.



IMPORTANT!

A steam cleaner should not be used.

The microwave oven is intended to be used built-in.

The appliance and its accessible parts become hot during use. Care should be taken to avoid touching heating elements.



WARNING!

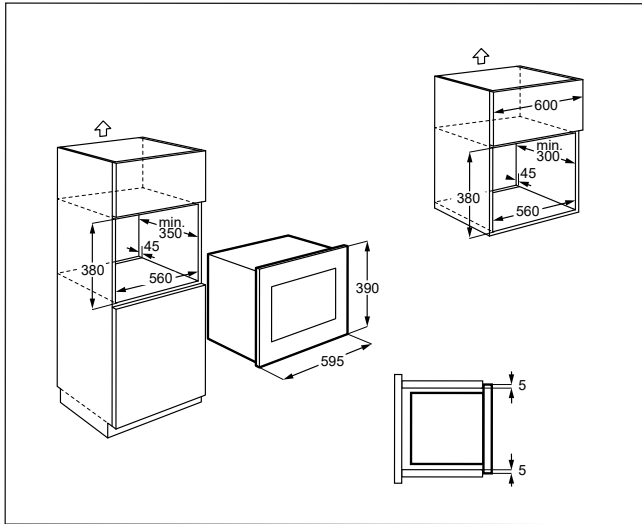
Keep children away from the door and accessible parts that may become hot when the grill is in use. Children should be kept away to prevent them burning themselves.



IMPORTANT!

Do not use commercial oven cleaners, steam cleaners, abrasive, harsh cleaners, any that contain sodium hydroxide or scouring pads on any part of your microwave oven.

2. INSTALLATION



2.1 Installing the appliance

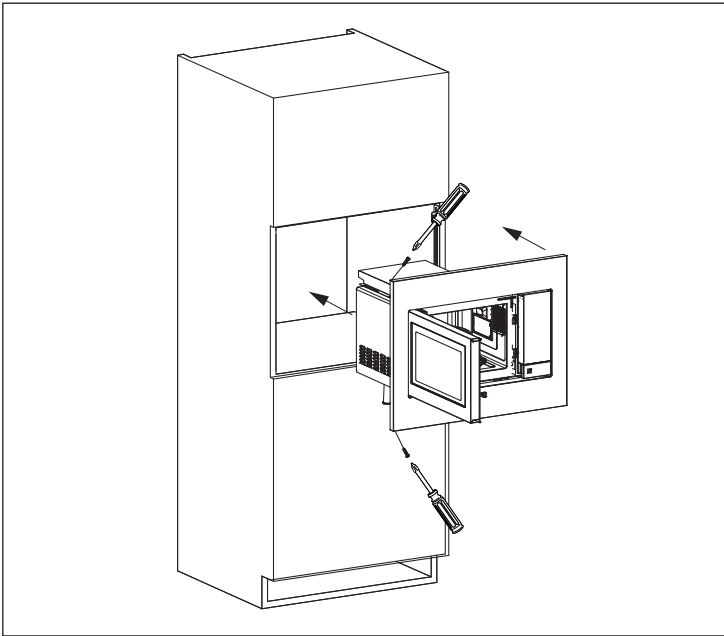
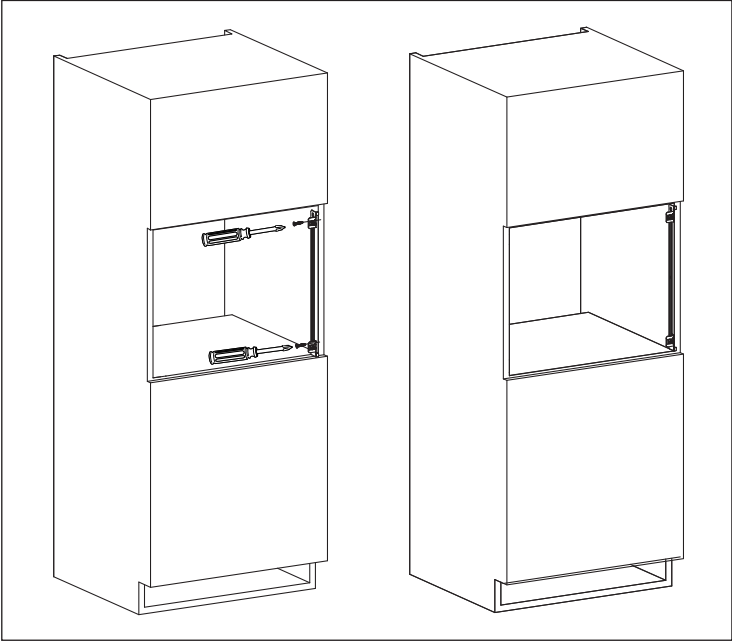
1. Remove all packaging and check carefully for any signs of damage.
2. Fit the fixing bracket to the right hand side of the kitchen cupboard using the installation sheet and two screws supplied.
3. Fit the appliance into the kitchen cupboard slowly and without force until it clips into the brackets. Ensure the appliance is stable and centralised.
4. Fix the oven on the left hand side using the two screws supplied.
5. The front frame of the appliance should seal against the front opening of the cupboard.



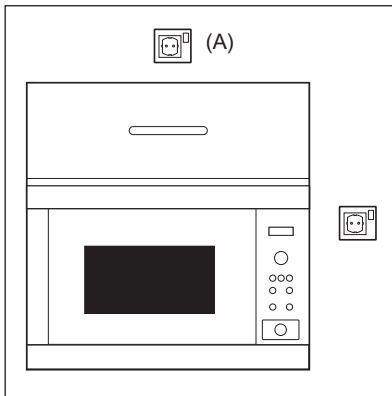
IMPORTANT!

Do not install this appliance in kitchen cupboards without the specified 45mm rear chimney. Inadequate ventilation could adversely affect the performance and life of the appliance.

Do not install this appliance in kitchen cupboards that are adjacent to sources of heat and steam such as hobs and cook tops. Such sources could adversely affect the performance and life of the appliance.



2.2 Connecting the appliance to the power supply



- The electrical outlet should be readily accessible so that the unit can be unplugged easily in an emergency. Or it should be possible to isolate the oven from the supply by incorporating a switch in the fixed wiring in accordance with the wiring rules.
- The power supply cord may only be replaced by an electrician.
- If the supply cord is damaged it must be replaced by the manufacturer, its service agent or similarly qualified persons in order to avoid a hazard.
- The socket should not be positioned behind the cupboard.
- The best position is above the cupboard, see (A).
- Connect the appliance to a single phase 230-240 V/50 Hz alternating current via a correctly installed earth socket. The socket must be fused with a 16 A fuse.
- Before installing, tie a piece of string to the power supply cord to facilitate connection to point (A) when the appliance is being installed.
- When inserting the appliance into the high-sided cupboard, DO NOT crush the power supply cord.
- Do not immerse the power supply cord or plug in water or any other liquid.
- Do not allow the power supply cord to run over any hot or sharp surfaces, such as the hot air vent area at the top rear of the oven.

2.3 Additional advice

Do not use the microwave oven to heat oil for deep frying. The temperature cannot be controlled and the oil may catch fire. To make popcorn, only use special microwave popcorn makers.

Individuals with PACEMAKERS should check with their doctor or the manufacturer of the pacemaker for precautions regarding microwave ovens.

Never spill or insert any objects into the door lock openings or ventilation openings. In the event of a spill, turn off and unplug the oven immediately and call an authorised ELECTROLUX service agent.

Never modify the oven in any way.

Only use the turntable and the turntable support designed for this oven. Do not operate the oven without the turntable.

To prevent the turntable from breaking:

- Before cleaning the turntable with water, leave the turntable to cool.
- Do not put hot foods or hot utensils on a cold turntable.
- Do not put cold foods or cold utensils on a hot turntable.

Do not use plastic containers for microwaving if the oven is still hot from using the GRILL mode because they may melt. Plastic containers must not be used during above modes unless the container manufacturer says they are suitable.

Neither the manufacturer nor the dealer can accept any liability for damage to the oven or personal injury resulting from failure to observe the correct electrical connection procedure. Water vapour or drops may occasionally form on the oven walls or around the door seals and sealing surfaces. This is a normal occurrence and is not an indication of microwave leakage or a malfunction.

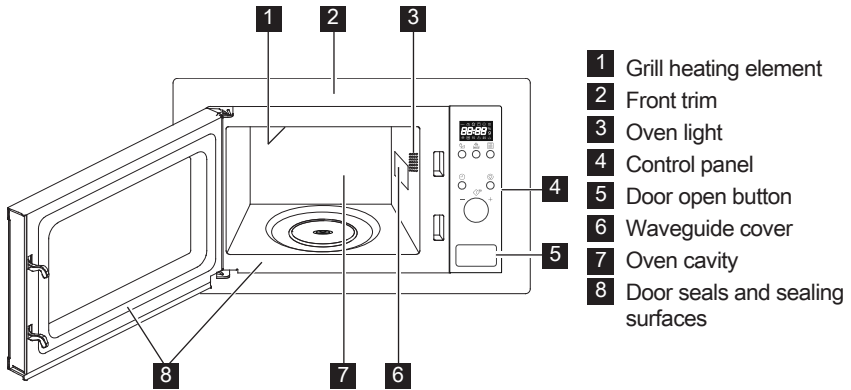


WARNING!

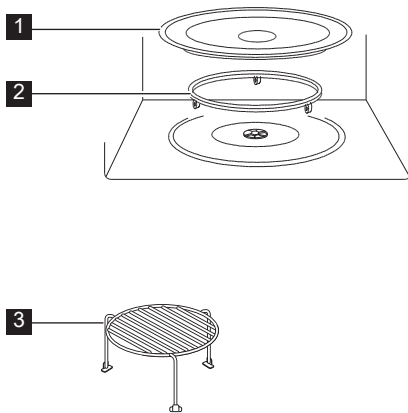
After GRILL mode the oven cavity, door, oven cabinet and accessories will become very hot. Before cleaning, make sure they are completely cool.

3. PRODUCT DESCRIPTION

3.1 Microwave oven



3.2 Accessories



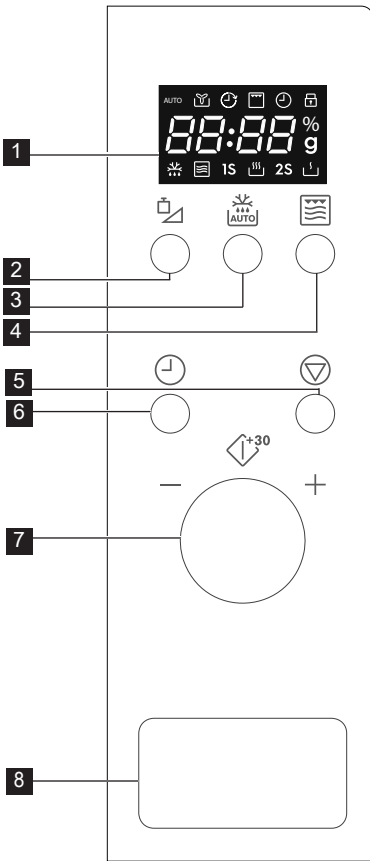
Check to make sure the following accessories are provided:

- 1** Turntable
- 2** Turntable support
- 3** High rack

- Place the turntable support on the floor of the cavity.
- Then place the turntable on the turntable support.
- To avoid turntable damage, ensure dishes or containers are lifted clear of the turntable rim when removing them from the oven.

i When you order accessories, please mention two items: part name and model name to your dealer or an authorised ELECTROLUX service agent.

3.3 Control panel



1 Digital display indicators:



AUTO Auto



Fan Fan



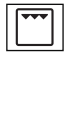
Grill Grill



Clock Clock



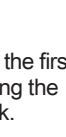
Child safety lock Child safety lock



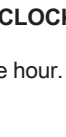
8888 Display segments



% Microwave power level



g Weight



Defrost Defrost



Microwave Microwave

High High

Low Low

Combi Combi

2 Power level/weight button

3 Auto defrost button

4 Micro. + grill button

5 Pause/cancel button

6 Clock button

7 Knob

8 Door open button

4. OPERATION

4.1 Plug in

When the oven is plugged in for the first time you have the option of setting the clock. The oven has a 24hr clock.

Example: To set the clock.

1. In standby mode, press the **CLOCK** button once to set the clock.
2. Rotate the knob to adjust the hour.

3. Press the **CLOCK** button to confirm.
4. Rotate the knob to adjust the minutes.
5. Press the **CLOCK** button to confirm the setting.

i During cooking, you can press the **CLOCK** button to check the time of day.

4.2 Microwave cooking

Microwave cooking allows you to customize the cooking power and time. Maximum cooking time is 95 minutes.

Example: To cook for 5 minutes at 60 % power level.

1. Open the oven door and place the food inside. Close the door.
2. Press the **POWER LEVEL/WEIGHT** button 3 times.
3. Rotate the knob to enter the cooking time.
4. Press the knob to start cooking.

i To check the microwave power level during cooking press the **POWER LEVEL/WEIGHT** button. The power level default is 100 %.

At the end of cooking, the system will beep and End is displayed. Before starting another cooking session, press any button to clear the display and reset the system. Power levels that are too high or cooking times that are too long may overheat foods resulting in a fire.

Power Level Button	Power Level
x 1	100 %
x 2	80 %
x 3	60 %
x 4	40 %
x 5	20 %
x 6	0 %

4.3 Reduced power level

Cooking Mode	Standard Time	Reduced Power Level
Microwave	100 % 30'00	Microwave 80 %

4.4 Grill

Grill cooking is particularly useful for thin slices of meat, steaks, chops, kebabs, sausages and pieces of chicken. It is also suitable for hot sandwiches and au gratin dishes. Maximum cooking time is 95 minutes.

Example: To grill for 12 minutes.

1. Open the oven door and place the food inside. Close the door.
2. Press the **MICRO. + GRILL** button once.
3. Rotate the knob to enter the cooking time.
4. Press the knob to start cooking.

! **IMPORTANT!** The rack is recommended for grilling.

4.5 Micro. + grill

Combi Micro/Grill mode combines the microwave and the grill functions at different time periods during cooking. Maximum cooking time is 95 minutes.

Example: To set Combi. 1 cooking for 25 minutes.

1. Open the oven door and place the food inside. Close the door.
2. Press the **MICRO. + GRILL** button twice.
3. Rotate the knob to enter the cooking time.
4. Press the knob to start cooking.

Description	Icon	Suitable for
Grill		Browning food
Combi. 1		Fish, potatoes, au gratin
Combi. 2		Pudding, omelettes, baked potatoes

4.6 Quick start

You can directly start cooking on 100 % for 30 seconds by pressing the knob. Each time you press the knob the cooking time will increase by 30 seconds.

i To add more time press the knob.

4.7 Auto cook

Auto cook automatically works out the correct cooking mode and cooking time. You can choose from 7 menus.

Auto Cook Food		Cooking Mode
A - 01	Milk/Coffee 1 - 3 cups	Micro.
A - 02	Baked Potato 1 - 3 pcs	Micro.
A - 03	Auto Reheat 200 - 800 g	Micro.
A - 04	Spaghetti 100 - 300 g	Micro.
A - 05	Pizza 150 - 450 g	Micro.
A - 06	Chicken 800 - 1400 g	Micro. + Grill
A - 07	Popcorn 99 g	Micro.

1. Open the oven door and place the food inside. Close the door.
2. Rotate the knob anti- clockwise to select the food.
3. Press the **POWER LEVEL/WEIGHT** button to select amount or weight.
4. Press the knob to start cooking.

i Turn the chicken 2 to 3 times during cooking, close the oven door and press the knob to resume cooking.

4.8 Auto defrost

Auto defrost automatically works out the correct cooking mode for defrosting food.

Example: To defrost 300 g of frozen food.

1. Open the oven door and place the food inside. Close the door.
2. Press the **AUTO DEFROST** button once.
3. Press the **POWER LEVEL/WEIGHT** button twice.
4. Press the knob to start cooking.

i Turn the food 2 to 3 times during defrosting, close the oven door and press the knob to resume cooking.

4.9 Child safety lock

The child proof lock prevents unsupervised operation by children. The child safety lock is automatically enabled after 1 minute of no operation by the user. To cancel open the door.

4.10 Pause

To pause whilst the microwave is running.

1. Press the **PAUSE/CANCEL** button once to enter pause mode during cooking.
2. Press the knob to continue cooking.


i The oven will stop operating when the door is opened.


5. HINTS AND TIPS

5.1 Microwave safe cookware

Cookware	Microwave safe	Comments
Aluminium foil/containers	✓ / ✗	Small pieces of aluminium foil can be used to shield food from overheating. Keep foil at least 2 cm from the oven walls, as arcing may occur. Foil containers are not recommended unless specified by the manufacturer. Follow instructions carefully.
China and ceramics	✓ / ✗	Porcelain, pottery, glazed earthenware and bone china are usually suitable, except for those with metallic decoration.
Glassware e.g. Pyrex®	✓	Care should be taken if using fine glassware as it can break or crack if heated suddenly.
Metal	✗	It is not recommended to use metal cookware when using microwave power as it will arc, which can lead to fire.
Plastic/polystyrene e.g. fast food containers	✓	Care must be taken as some containers warp, melt or discolour at high temperatures.
Freezer/roasting bags	✓	Must be pierced to let steam escape. Ensure bags are suitable for microwave use. Do not use plastic or metal ties, as they may melt or catch fire due to the metal arcing.
Paper-plates, cups and kitchen paper	✓	Only use for warming or to absorb moisture. Care must be taken as overheating may cause fire.
Straw and wooden containers	✓	Always attend the oven when using these materials as overheating may cause fire.
Recycled paper and newspaper	✗	May contain extracts of metal which will cause arcing and may lead to fire.

5.2 Microwave cooking advice

Microwave cooking advice	
Composition	Foods high in fat or sugar (e.g. Christmas pudding, mince pies) require less heating time. Care should be taken as overheating can lead to fire.
Size	For even cooking make all the pieces the same size.
Temperature of food	The initial temperature of food affects the amount of cooking time needed. Cut into foods with fillings (e.g. jam doughnuts) to release heat or steam.
Arrange	Place the thickest parts of food towards the outside of the dish (e.g. chicken drumsticks).
Cover	Use vented microwave cling film or a suitable lid.
Pierce	Foods with a shell, skin or membrane must be pierced in several places before cooking or reheating as steam will build up and may cause food to explode (e.g. potatoes, fish, chicken, sausages).  IMPORTANT! Eggs should not be heated using microwave power as they may explode, even after cooking has ended (e.g. poached, hard boiled).
Stir, turn and rearrange	For even cooking it is essential to stir, turn and rearrange food during cooking. Always stir and rearrange from the outside towards the centre.
Stand	Standing time is necessary after cooking to enable the heat to disperse equally throughout the food.
Shield	Warm areas can be shielded with small pieces of foil, which reflect microwaves (e.g. legs and wings on a chicken).

-  Use pot holders or oven gloves when removing food from the oven to prevent burns. Always open containers, popcorn makers, oven cooking bags, etc., away from the face and hands to avoid steam burns. Always stand back from the oven door when opening to avoid burns from escaping steam and heat. Slice stuffed baked foods after heating to release steam and avoid burns.

6. TROUBLESHOOTING

Problem	Check if . . .
The microwave appliance is not working properly?	<ul style="list-style-type: none"> • The fuses in the fuse box are working. • There has not been a power outage. • If the fuses continue to blow, please contact a qualified electrician.
The microwave mode is not working?	<ul style="list-style-type: none"> • The door is properly closed. • The door seals and their surfaces are clean. • The START key has been pressed.
The turntable is not turning?	<ul style="list-style-type: none"> • The turntable support is correctly connected to the drive. • The ovenware does not extend beyond the turntable. • Food does not extend beyond the edge of the turntable preventing it from rotating. • There is nothing in the well beneath the turntable.
The microwave will not switch off?	<ul style="list-style-type: none"> • Isolate the appliance from the fuse box. • Call an authorised ELECTROLUX service agent.
The interior light is not working?	<ul style="list-style-type: none"> • Call your authorised ELECTROLUX service agent. The interior light can be exchanged only by a trained authorised ELECTROLUX service agent.
The food is taking longer to heat through and cook than before?	<ul style="list-style-type: none"> • Set a longer cooking time (double quantity = nearly double time) or • If the food is colder than usual, rotate or turn from time to time or • Set a higher power setting.




If the oven operates in any mode for 3 minutes or longer, the fan will stay on for 2 minutes after the cooking ends.

7. TECHNICAL INFORMATION


AC Line Voltage	230-240 V, 50 Hz, single phase	
Distribution line fuse/circuit breaker	Minimum 16 A	
AC Power required:	Microwave	1.200 kW
	Grill	0.900 kW
Output power:	Microwave	700 W (IEC 60705)
	Grill	900 W
Microwave Frequency	2450 MHz ¹⁾ (Group 2/Class B)	
Outside Dimensions:	MO318GXE	595 mm (W) 390 mm (H) 312 mm (D)
Cavity Dimensions	315 mm (W) x 198 mm (H) x 294 mm (D) ²⁾	
Oven Capacity	17 litres ²⁾	
Turntable	ø 245 mm, glass	
Weight	approx. 15.7 kg	

- 1) This Product fulfils the requirement of the European standard EN55011. In conformity with this standard, this product is classified as group 2 class B equipment. Group 2 means that the equipment intentionally generates radio-frequency energy in the form of electromagnetic radiation for the heat treatment of food. Class B equipment means that the equipment is suitable to be used in domestic establishments.
- 2) Internal capacity is calculated by measuring maximum width, depth and height. Actual capacity for holding food is less.

8. ENVIRONMENT CONCERNS

Recycle materials with the symbol . Put the packaging in applicable containers to recycle it.

Help protect the environment and human health and recycle waste electrical and electronic appliances.

Do not dispose of appliances marked with the symbol  with household waste. Return the product to your local recycling facility or contact your municipal office.

INDICE

1. NORME DI SICUREZZA.....	20
2. INSTALLAZIONE.....	25
3. DESCRIZIONE DEL PRODOTTO	29
4. FUNZIONAMENTO	30
5. SUGGERIMENTI E CONSIGLI	33
6. COSA FARE SE	35
7. DATI TECNICI	36
8. INFORMAZIONI AMBIENTALI	36

PENSATI PER VOI

Grazie per aver acquistato un'apparecchiatura Electrolux. Avete scelto un prodotto che ha alle spalle decenni di esperienza professionale e innovazione. Ingegnoso ed elegante, è stato progettato pensando a voi. Quindi, in qualsiasi momento desiderate utilizzarlo, potete esser certi di ottenere sempre i migliori risultati. Benvenuti in Electrolux.

Visitate il nostro sito web per:



Ricevere consigli, scaricare i nostri opuscoli, eliminare eventuali anomalie, ottenere informazioni sull'assistenza:

www.electrolux.com



Registrare il vostro prodotto e ricevere un servizio migliore:

www.electrolux.com/productregistration



Acquistare accessori, materiali di consumo e ricambi originali per la vostra apparecchiatura:

www.electrolux.com/shop


SERVIZIO CLIENTI E MANUTENZIONE

Consigliamo sempre l'impiego di ricambi originali.

Quando si contatta l'Assistenza, accertarsi di disporre dei seguenti dati.

Le informazioni si trovano sulla targhetta di identificazione. Modello, numero dell'apparecchio (PNC), numero di serie.

 Avvertenza/Attenzione - Importanti Informazioni di Sicurezza

 Informazioni e suggerimenti generali

 Informazioni sull'ambiente

Con riserva di modifiche.

1. ⚠️ NORME DI SICUREZZA

Questa apparecchiatura può essere utilizzata da bambini di età superiore a 8 anni e da persone con ridotte capacità mentali, sensoriali o fisiche oppure con poca esperienza o conoscenza se sorvegliate o precedentemente istruite in merito all'utilizzo sicuro dell'apparecchiatura e se hanno compreso i rischi che comporta. I bambini devono usare il forno soltanto in presenza di un adulto. La pulizia e la manutenzione non devono essere eseguite dai bambini a meno che questi non abbiano almeno 8 anni e siano sorvegliati.

L'elettrodomestico non è idoneo all'uso ad altitudini superiore ai 2.000 m.



IMPORTANTE! ISTRUZIONI PER LA SICUREZZA PERSONALE DA LEGGERE ATTENTAMENTE E CONSERVARE PER OGNI RIFERIMENTO FUTURO.



ATTENZIONE!

Lo sportello o le relative guarnizioni si danneggiano, non usate il forno sino all'avvenuta riparazione da parte di personale competente.



ATTENZIONE!

Eseguire interventi di assistenza o riparazione che coinvolgono la rimozione del coperchio che protegge dall'esposizione all'energia a microonde è rischioso per chiunque non sia una persona competente.



ATTENZIONE!

Non riscaldare liquidi o altri cibi in contenitori sigillati, perché potrebbero esplodere.

Questo prodotto è destinato all'utilizzo domestico e in ambienti simili quali: cucine riservate allo staff in negozi,

uffici e altri ambienti di lavoro; fattorie; clienti di hotel, motel e altri ambienti legati all'ospitalità; ambienti tipo "bed and breakfast".

Usate esclusivamente recipienti e utensili adatti per forni a microonde.

Non è consentita la presenza di contenitori metallici per alimenti e bevande durante la cottura al microonde.

Non lasciate il forno incustodito usando plastica, carta od altro recipiente infiammabile a perdere.

Il forno a microonde è destinato al riscaldamento di pietanze e bevande. L'utilizzo per l'essiccazione di cibo o l'asciugatura di abiti oppure per il riscaldamento di cuscini, asciugamani, spugne, panni bagnati e altri articoli simili può comportare il rischio di lesione, combustione o incendio.

Se il cibo che si riscalda nel forno comincia a sprigionare fumo, **NON APRITE LO SPORTELLLO**. Spegnete il forno, staccate il cavo di alimentazione. Prima di riaprire lo sportello accertatevi che non ci sia più fumo all'interno del forno. Se si apre lo sportello mentre il cibo sta ancora fumando c'è il pericolo d'incendio.

Il riscaldamento delle bevande nel microonde può provocare un'ebollizione ritardata, si consiglia la massima attenzione quando si toglie il recipiente dal forno.

Controllare i contenuti delle bottiglie di alimentazione e dei vasi con gli alimenti per il babilino da agitare o scuotere e la temperatura prima del consumo per evitare scottature.

Non usare il forno a microonde per cuocere le uova con il guscio né per riscaldare le uova sode intere, perché potrebbero esplodere dopo la fase di riscaldamento.

1.1 Manutenzione e pulizia

Sportello:

Pulire spesso la porta da entrambi i lati, la guarnizione della porta e le superfici della guarnizione, utilizzare un panno umido per togliere lo sporco. Non utilizzare detergenti abrasivi o raschietti di metallo appuntiti per pulire il vetro del forno in quanto possono graffiare la superficie e, di conseguenza, danneggiare il vetro.

Interno del forno:

Per la pulizia: togliete ogni tipo di sporco con un panno morbido o spugna subito dopo l'uso a forno ancora caldo. Per lo sporco più difficile, usate un detergente dolce e pulite più volte con un panno umido finché tutto lo sporco non sarà rimosso. Non rimuovere la copertina della guida. Controllate che sapone ed acqua non penetrino attraverso i fori nelle pareti, perché possono causare danni al forno. Non usate detergenti spray all'interno del forno. Ad intervalli regolari, riscaldare il forno usando il grill, poiché gli schizzi di cibi o di olio possono causare la formazione di fumo e cattivi odori. Dopo l'uso, pulite sempre il coperchio guida onde, la cavità del forno, il piatto girevole e il sostegno rotante. Essi devono essere asciutti ed esenti da grasso. Gli accumuli di grasso possono surriscaldarsi, fumare o infiammarsi.

Esterno del forno a microonde:

L'esterno del forno può essere facilmente pulito con acqua saponata. Non mancate di togliere il sapone ed asciugare il forno a microonde con un panno morbido ed asciutto.

Pannello di controllo:

Aprire innanzitutto lo sportello in modo da disattivare il pannello di controllo. Eseguire le operazioni di pulizia del pannello di controllo con attenzione. Usando un panno,

inumidito soltanto con acqua, strofinate delicatamente il pannello finché non diventa pulito. Evitate di usare troppa acqua. Non usate detergenti corrosivi.

Piatto rotante e supporto:

Togliete dal forno il piatto rotante e il supporto e lavateli. Con acqua leggermente saponata. Asciugateli con un panno morbido. Sia il piatto rotante sia il supporto possono essere lavati nella lavapiatti.

Griglia:

Si consiglia di lavare le griglia con detersivo per piatti diluito e di asciugarle. Le griglia possono anche essere lavate nella lavastoviglie.



IMPORTANTE!

Pulisca il forno a intervalli normali e rimuova tutti i residui di alimenti. Se il forno non viene mantenuto pulito, la superficie potrebbe deteriorarsi compromettendo la durata dell'apparecchio e comportando possibili situazioni di rischio.

Fare attenzione a non spostare il tavolo durante la rimozione dei contenitori dall'apparecchiatura.



IMPORTANTE!

Non utilizzare getti a vapore.

Il forno a microonde è progettato per essere usato in modo integrato.

L'apparecchiatura e le parti accessibili diventano calde durante l'utilizzo. È necessario prestare attenzione a non toccare gli elementi riscaldanti.



ATTENZIONE!

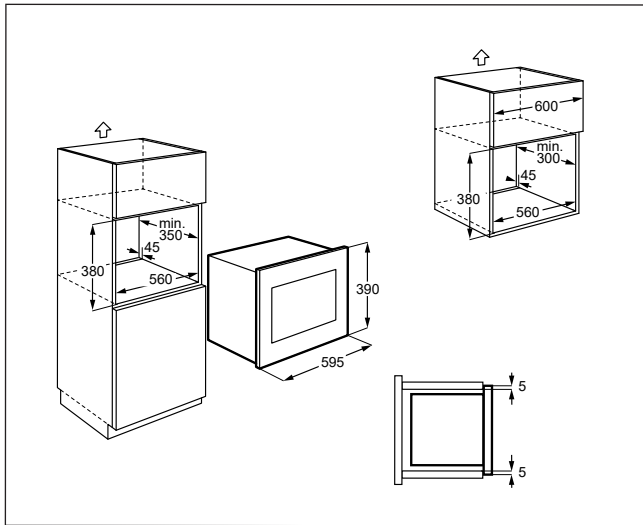
Tenere i bambini lontani dallo sportello e dalle altre parti accessibili che possono surriscaldarsi durante l'utilizzo del grill. I bambini devono essere tenuti lontani per evitare che possano bruciarsi.



IMPORTANTE!

Non utilizzare su nessuna parte del forno detersivi per forni commerciali, getti a vapore, abrasivi, detersivi ruvidi o che contengono idrossido di sodio né spugne abrasive.

2. INSTALLAZIONE



2.1 Installazione dell'elettrodomestico

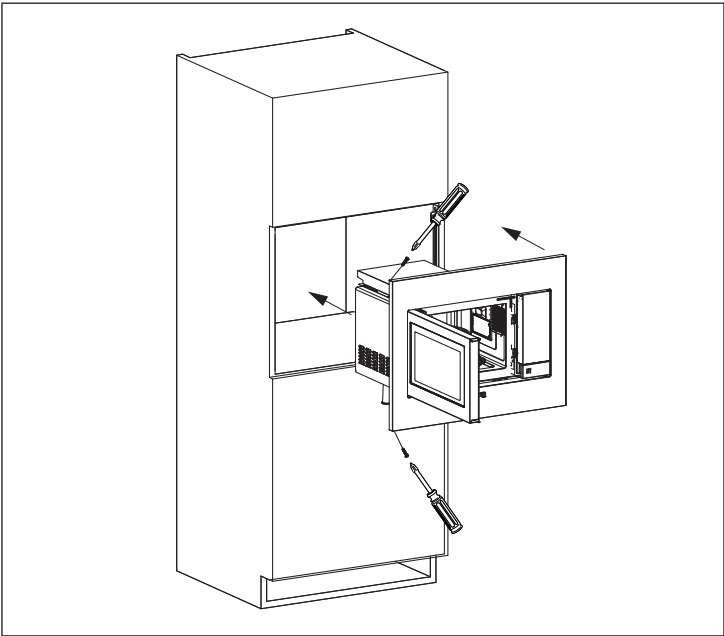
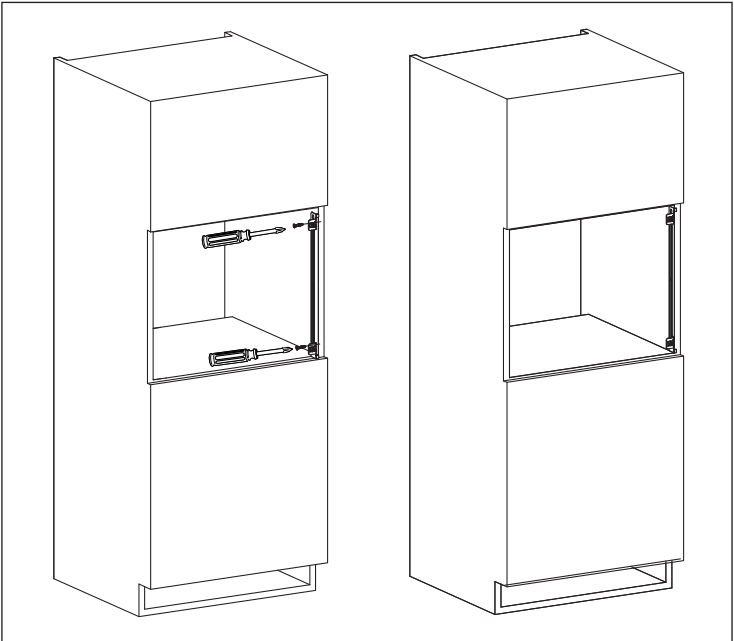
1. Rimuovere l'imballo e verificare l'eventuale presenza di danni sull'apparecchio.
2. Inserire il supporto di fissaggio sul lato destro della credenza della cucina utilizzando il foglio di installazione e due viti fornite.
3. Inserire l'apparecchio nella credenza lentamente e senza forzare finché non si incastra nel supporto. Assicurarsi che l'apparecchio sia stabile e centrato.
4. Fissare il forno sul lato sinistro utilizzando due viti fornite.
5. Il telaio anteriore del forno dovrebbe poggiare contro l'apertura anteriore del mobile senza lasciare spazi.

Non installare questo apparecchio in credenze della cucina adiacenti a fonti di calore e vapore come piastre e fornelli. Tali fonti potrebbero compromettere le prestazioni e la durata della vita dell'apparecchio.

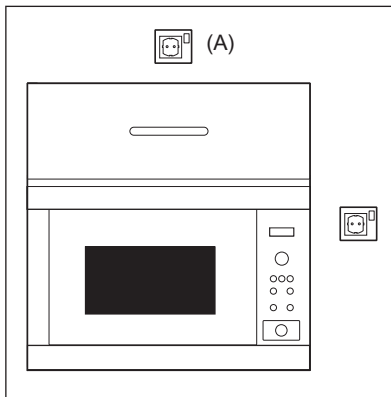


IMPORTANTE!

Non installare questo apparecchio in credenze in cucina senza lo spazio di ventilazione posteriore di 45 mm specificato. Una ventilazione inadeguata può influenzare negativamente le prestazioni e la vita dell'apparecchio.



2.2 Collegare l'apparecchio alla rete



- La presa elettrica deve essere facilmente accessibile per consentire il rapido scollegamento dell'unità in caso di emergenza. Oppure deve essere possibile isolare il forno dall'alimentazione inserendo un interruttore nell'impianto in conformità con le norme impiantistiche.
- Il cavo di alimentazione può essere sostituito esclusivamente da un elettricista.
- Se il cavo di alimentazione è danneggiato, deve essere sostituito dal produttore, il suo agente di servizio o da persone dalle qualifiche simili per evitare rischi.
- La presa non deve essere posizionata dietro la colonna forno.
- La posizione migliore è sopra la colonna forno, vedi (A).
- Collegare l'elettrodomestico a corrente alternata monofase 230-240 V/50 Hz mediante una presa di terra correttamente installata. La presa deve essere fusa con un fusibile 16 A.
- Prima dell'installazione legare un pezzo di corda al cavo di alimentazione per agevolare il collegamento al punto (A) durante l'installazione dell'apparecchio.
- Durante l'inserimento dell'apparecchio all'interno della colonna forno a fianchi alti NON schiacciare il cavo di alimentazione.
- Non immergere il cavo di alimentazione o la spina in acqua o in altro liquido.
- Tenete il cavo di alimentazione lontano da superfici riscaldate, compresa la parte posteriore del forno.

2.3 Raccomandazioni addizionali

Non usate il forno a microonde per friggere o riscaldare l'olio di frittura. La temperatura in tal caso non può essere controllata e può causare un incendio. Per fare il granoturco soffiato (popcorn), usate esclusivamente le confezioni apposite per microonde.

Chi porta uno STIMOLATORE CARDIACO deve rivolgersi al medico o al fabbricante dello stimolatore cardiaco riguardo alle precauzioni da prendere per l'uso del forno a microonde.

Non inserite alcun oggetto nelle aperture di ventilazione del forno. In caso di versamenti, spegnere e staccare immediatamente il forno e contattare un agente di servizio autorizzato ELECTROLUX.

Non modificate il alcun modo il forno.

Usate soltanto il piatto rotante e il sostegno rotante progettati per questo forno. Non utilizzare il forno senza il piatto girevole.

Per evitare che il piatto rotante si rompa:

- Prima di pulire il piatto rotante con acqua, lasciatelo raffreddare.
- Non mettete cibi o utensili caldi sul piatto rotante freddo.
- Non mettete cibi o utensili freddi sul piatto rotante caldo.

Non utilizzare contenitori di plastica per la cottura a microonde se il forno è ancora caldo dopo l'utilizzo della modalità GRILL poiché potrebbero sciogliersi. I contenitori di plastica non devono essere usati con le funzioni sopra indicate, a meno che il loro fabbricante non assicuri che sono adatti allo scopo.

Il fabbricante e il rivenditore non possono essere ritenuti responsabili per i danni al forno e/o alle persone causati da un non corretto collegamento elettrico. Sulle pareti del forno, o intorno alle guarnizioni e superfici di tenuta dello sportello, potrebbero formarsi vapore o gocce d'acqua. Ciò è normale e non indica una perdita o un difetto del forno.

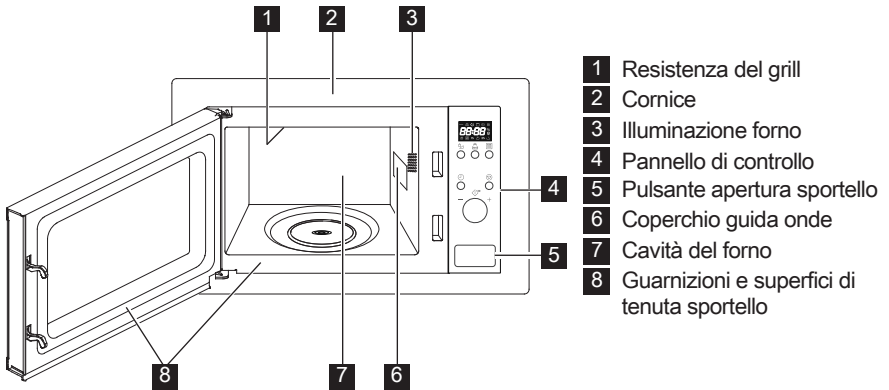


ATTENZIONE!

Dopo l'utilizzo della modalità GRILL, l'interno, lo sportello e l'involucro del forno e i suoi accessori diventeranno molto caldi. Prima di pulire, assicurarsi che si siano raffreddati.

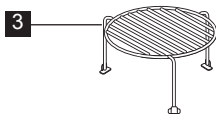
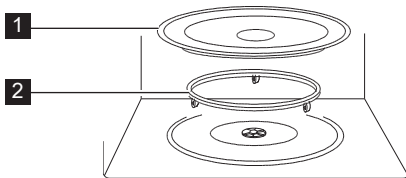
3. DESCRIZIONE DEL PRODOTTO

3.1 Forno a microonde



- 1** Resistenza del grill
- 2** Cornice
- 3** Illuminazione forno
- 4** Pannello di controllo
- 5** Pulsante apertura sportello
- 6** Coperchio guida onde
- 7** Cavità del forno
- 8** Guarnizioni e superfici di tenuta sportello

3.2 Accessori



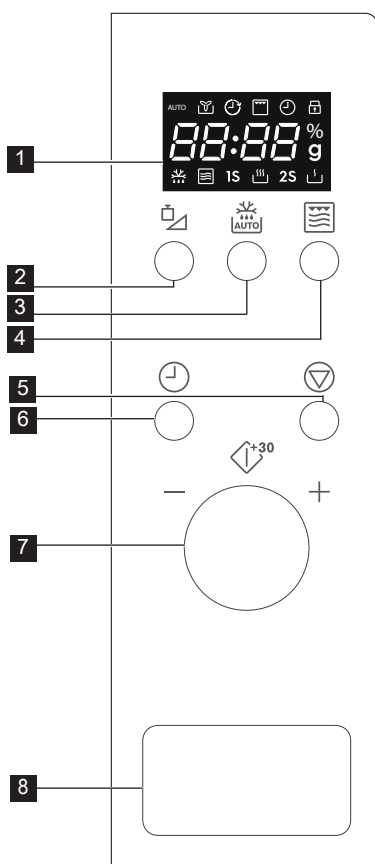
Accertarsi che la confezione contenga i seguenti accessori:

- 1** Piatto rotante
- 2** Supporto per piatto rotante
- 3** Griglia alta

- Collocare il supporto del piatto sul pavimento della cavità.
- Inserirvi quindi il piatto rotante.
- Onde evitare di danneggiare il piatto rotante, accertarsi di sollevare perfettamente i piatti o i contenitori dal bordo del piatto rotante quando li si toglie dal forno.

i Se si inseriscono degli accessori, indicate due elementi: nome parte e nome modello al proprio rivenditore o a un agente di servizio autorizzato ELECTROLUX.

3.3 Pannello di controllo



1 Display digitale indicatori:



Auto



Ventola



Grill



Orologio



Blocco di sicurezza
bambino



Segmenti del display



Livello di potenza
del microonde



Peso



Scongelo



Microonde



Alto



Basso



Combi

2 Pulsante
potenza/peso

3 Pulsante
scongelo
automatico

4 Pulsante micro. + grill

5 Pulsante
pausa/annulla

6 Pulsante orologio

7 Manopola

8 Pulsante apertura
sportello

4. FUNZIONAMENTO

4.1 Inserimento

Quando il forno è collegato per la prima volta all'alimentazione, è possibile impostare l'orologio. L'orologio del forno usa il formato di 24 ore.

Esempio: Per impostare l'orologio.

1. In modalità stand-by, premere una volta il pulsante **OROLOGIO** per impostare l'orologio.

2. Ruotare la manopola per regolare l'ora.
3. Premere il pulsante **OROLOGIO** per confermare.
4. Ruotare la manopola per regolare i minuti.
5. Premere il pulsante **OROLOGIO** per confermare l'impostazione.



Durante la cottura, è possibile premere il pulsante **OROLOGIO** per controllare l'orario.

4.2 Livello di potenza delle microonde

La cottura a microonde permette di personalizzare la potenza e il tempo di cottura. Il tempo di cottura massimo è 95 minuti.

Esempio: Per cuocere per 5 minuti a un livello di potenza del 60 %.

1. Aprire lo sportello del forno e collocare il cibo all'interno. Chiudere lo sportello.
2. Premere il pulsante **POTENZA/PESO** per 3 volte.
3. Ruotare la manopola per selezionare il tempo di cottura.
4. Premere la manopola per iniziare la cottura.



Per controllare la potenza delle microonde durante la cottura, premere il pulsante **POTENZA/PESO**. Il livello di potenza predefinito è 100 %.

Al termine della cottura, il sistema emetterà dei segnali acustici e sul display apparirà "End". Prima di iniziare un'altra sessione di cottura, premere un pulsante qualsiasi per azzerare il display e il sistema. Livelli di potenza troppo alti o tempi di cottura troppo lunghi potrebbero riscaldare eccessivamente il cibo originando fiamme.

Pulsanti Livello di Potenza	Livello di Potenza
x 1	100 %
x 2	80 %
x 3	60 %
x 4	40 %
x 5	20 %
x 6	0 %

4.3 Potenza ridotta

Funzione di cottura	Tempo standard	Potenza ridotta
Microonde	30'00	Microonde 80 % 100 %

4.4 Grill

La cottura col grill è particolarmente utile per fette di carne sottili, bistecche, bracirole, kebab, salsicce e pezzi di pollo. È anche utile per panini caldi e piatti al gratin. Il tempo di cottura massimo è 95 minuti.

Esempio: Per cuocere tramite grill per 12 minuti.

1. Aprire lo sportello del forno e collocare il cibo all'interno. Chiudere lo sportello.
2. Premere il pulsante **MICRO. + GRILL** una volta.
3. Ruotare la manopola per selezionare il tempo di cottura.
4. Premere la manopola per iniziare la cottura.



IMPORTANTE! Per cuocere con il grill si consiglia l'uso della griglia alta o bassa.

4.5 Micro. + grill

La modalità combi Micro/Grill combina le funzioni microonde e grill per diverse durate durante la cottura.

Il tempo di cottura massimo è 95 minuti.

Esempio: Per impostare la cottura combi. 1 cottura 25 minuti.

1. Aprire lo sportello del forno e collocare il cibo all'interno. Chiudere lo sportello.
2. Premere il pulsante **MICRO. + GRILL** due volte.
3. Ruotare la manopola per selezionare il tempo di cottura.
4. Premere la manopola per iniziare la cottura.

Descrizione	Icona	Adatta per
Grill		Imbrunimento del cibo
Combi. 1		pesce, patate, al gratin
Combi. 2		pudding, omelette, patate al forno farcite

4.6 Avvio rapido

È possibile iniziare la cottura al 100 % per 30 secondi premendo la manopola. Ogni volta che si preme la manopola, il tempo di cottura aumenterà di 30 secondi.

- i** Per aggiungere tempo ulteriore, premere la manopola.

4.7 Cottura automatica

La cottura automatica adopera autonomamente la modalità di cottura e il tempo adeguati. È possibile scegliere tra 7 menu.

Cottura automatica	Alimenti	Funzione di cottura
A - 01	Latte/caffè 1 - 3 tazze	Micro.
A - 02	Patata al forno farcita 1 - 3 pezzi	Micro.
A - 03	Riscaldamento automatico 200 - 800 g	Micro.
A - 04	Spaghetti 100 - 300 g	Micro.
A - 05	Pizza 150 - 450 g	Micro.
A - 06	Pollo 800 - 1400 g	Micro. + Grill
A - 07	Popcorn 99 g	Micro.

1. Aprire lo sportello del forno e collocare il cibo all'interno. Chiudere lo sportello.
2. Ruota la manopola in senso antiorario per selezionare il cibo.
3. Premere il pulsante **POTENZA/PESO** per selezionare la quantità o il peso.
4. Premere la manopola per iniziare la cottura.

- i** Capovolgere il pollo 2 o 3 volte durante la cottura, chiudere lo sportello del forno e premere la manopola per riprendere la cottura.

4.8 Scongelamento automatico

Lo scongelamento automatico adopera autonomamente la modalità di cottura per scongelare il cibo.

Esempio: Per scongelare 300g di cibo congelato.

1. Aprire lo sportello del forno e collocare il cibo all'interno. Chiudere lo sportello.
2. Premere una volta il pulsante **SCONGELAMENTO AUTOMATICO**.
3. Premere il pulsante **POTENZA/PESO** due volte.

4. Premere la manopola per iniziare la cottura.

- i** Capovolgere il cibo 2 o 3 volte durante lo scongelamento, chiudere lo sportello del forno e premere la manopola per riprendere la cottura.

4.9 Blocco di sicurezza bambino

Il blocco a prova di bambino previene l'utilizzo da parte di bambini non supervisionati. Il blocco per bambini si attiva automaticamente dopo 1 minuto di mancato utilizzo da parte dell'utente. Per annullare, aprire lo sportello.

4.10 Pausa

Per mettere in pausa durante l'uso del microonde.

1. Premere una volta il pulsante **PAUSA/ANNULLA** per entrare in modalità pausa durante la cottura.
2. Premere la manopola per continuare la cottura.


- i** Il forno smette di funzionare quando lo sportello viene aperto.


5. SUGGERIMENTI E CONSIGLI

5.1 Recipienti per una cottura a microonde sicura

Recipienti di cottura	Sicurezza con le microonde	Commenti
Carta stagnola/ Contenitori in carta stagnola	✓ / ✗	Per proteggere gli alimenti dal surriscaldamento, è possibile utilizzare fogli di carta stagnola. Mantenere la carta stagnola a una distanza minima di 2 cm dalle pareti del forno poiché, in caso contrario, potrebbero formarsi archi elettrici. Si sconsiglia l'utilizzo di contenitori in carta stagnola, se non specificati dal produttore e seguire attentamente le istruzioni.
Porcellana e ceramica	✓ / ✗	Di norma, è possibile utilizzare i contenitori in porcellana, in ceramica, in vetro e in porcellana fine, se non presentano decorazioni metalliche.
Recipienti in vetro, ad esempio Pyrex®	✓	Se si utilizzano recipienti in vetro sottile occorre fare molta attenzione, perché, se riscaldati in modo improvviso, possono rompersi o scheggiarsi.
Metallo	✗	Nella cottura a microonde si sconsiglia l'utilizzo di recipienti in metallo, poiché causano la formazione di archi elettrici e possono essere causa di un principio di incendio.
Plastica/Polistirene, ad esempio, contenitori da Fast Food	✓	Occorre prestare molta attenzione, perché ad elevate temperature alcuni contenitori possono deformarsi, fondersi o scolorirsi.
Sacchetti per congelamento/ rosolatura	✓	Devono essere forati per consentire la fuoriuscita del vapore. Verificare che i sacchetti siano adatti per l'utilizzo in forno a microonde. Non utilizzare legacci in plastica o in metallo, perché possono fondersi o provocare incendi a causa della formazione di archi elettrici.
Carta - sottocoppe e carta da cucina	✓	Utilizzare solo per il riscaldamento o per assorbire l'umido. Occorre prestare molta attenzione, perché il surriscaldamento può portare allo sviluppo di incendi.
Contenitori in paglia e legno	✓	Quando si utilizzano questi materiali, è necessario sempre sorvegliare il forno, perché il surriscaldamento può portare allo sviluppo di incendi.
Carta riciclata e carta di giornale	✗	Possono contenere estratti di metallo, i quali possono provocare la formazione di archi elettrici e causare incendi.

5.2 Consigli e suggerimenti

Consigli e suggerimenti	
Composizione	Gli alimenti con un elevato contenuto di grassi o zuccheri (ad esempio, un dolce natalizio o una torta ripiena di frutta secca) richiedono un tempo di cottura inferiore. Occorre prestare molta attenzione perché il surriscaldamento può costituire un principio di incendio.
Dimensioni	Per una cottura uniforme, ottenere pezzi delle stesse dimensioni.
Temperatura	La temperatura iniziale degli alimenti influisce sul tempo di cottura necessario. Nel caso di alimenti con ripieno, (ad esempio, bomboloni alla marmellata), occorre praticare in essi piccoli tagli, per consentire la fuoriuscita di calore o vapore.
Disposizione	Posizionare le parti più spesse dell'alimento verso la parte esterna del vassoio di cottura. (Ad esempio, nel caso di cosce di pollo.)
Copertura	Utilizzare pellicola protettiva, forandola per la ventilazione, o un coperchio adatto.
Foratura	Prima della cottura o del riscaldamento, gli alimenti con guscio, pelle o membrana devono essere forati in diversi punti, poiché la formazione interna di vapore potrebbe causare l'esplosione dell'alimento stesso. (Ad esempio, nel caso di patate, pesce, pollo, salsicce.)  IMPORTANTE! Non utilizzare il forno a microonde per cuocere uova poiché queste potrebbero esplodere, anche dopo la cottura. (Ad esempio, nel caso di uova in camicia, fritte o sode.)
Rimescolare, girare e ridisporre gli alimenti	Per una cottura uniforme, è necessario rimescolare, girare o ridisporre gli alimenti. Rimescolare e ridisporre sempre gli alimenti dalla parte esterna verso il centro.
Tempo di riposo	Dopo la cottura, è necessario lasciare riposare brevemente gli alimenti per consentire al calore di diffondersi uniformemente attraverso gli alimenti stessi.
Schermatura	È possibile schermare le aree calde con pezzetti di carta stagnola, che riflettono le microonde, (ad esempio nel caso di cosce e ali di pollo).

-  Mai toccare o alzare la resistenza quando è calda. Usare presine o guanti da cucina per togliere il cibo dal forno. Per evitare le ustioni causate dal vapore, aprire sempre contenitori, recipienti per pop-corn, sacchetti da forno, ecc. tenendoli lontani dal viso e dalle mani.
Per evitare le scottature causate dalla fuoriuscita del vapore e del calore, allontanarsi dallo sportello del forno durante l'apertura. Per far uscire il vapore ed evitare ustioni, praticare alcune incisioni sui cibi ripieni riscaldati.

6. COSA FARE SE

Sintomo	Controlli/suggerimenti . . .
Il forno a microonde non funziona correttamente?	<ul style="list-style-type: none"> • I fusibili all'interno del portafusibili funzionino correttamente. • Non sia avvenuta un'interruzione di corrente. • Se i fusibili continuano a saltare, contattare un elettricista qualificato.
La funzione microonde non funziona?	<ul style="list-style-type: none"> • Lo sportello sia chiuso correttamente. • Le guarnizioni e la superficie dello sportello siano pulite. • Il pulsante START è stato premuto.
Il piatto rotante non gira?	<ul style="list-style-type: none"> • Il supporto del piatto rotante sia correttamente collegato alla trasmissione. • Il vasellame non si estenda oltre il piatto rotante. • Gli alimenti inseriti non si estendano oltre il bordo del piatto rotante impedendone la rotazione. • Non sia presente nulla nel vano sottostante il piatto rotante.
Il forno a microonde non si spegne?	<ul style="list-style-type: none"> • Isolare l'apparecchio dal portafusibili. • Contattare un agente di servizio autorizzato ELECTROLUX.
La luce interna non funziona?	<ul style="list-style-type: none"> • Contattare il proprio agente di servizio autorizzato ELECTROLUX. La lampadina interna deve essere sostituita solo da un agente di servizio autorizzato ELECTROLUX.
Occorre più tempo per gli alimenti?	<ul style="list-style-type: none"> • Impostare un tempo di cottura più lungo (quantità doppia = quasi tempo doppio) oppure. • Se il cibo risulta più freddo del solito, farlo ruotare di tanto in tanto, oppure. • Impostare un livello di potenza superiore.




Se il forno resta in funzione in qualsiasi modalità per 3 minuti o più, la ventola di raffreddamento resterà attiva per 2 minuti dopo il termine della cottura.

7. DATI TECNICI


Tensione della linea CA	230-240 V, 50 Hz, monofase	
Fusibile/interruttore linea di distribuzione	Minimo 16 A	
Potenza CA richiesta:	Microonde	1.200 kW
	Grill	0.900 kW
Potenza sviluppata:	Microonde	700 W (IEC 60705)
	Grill	900 W
Frequenza microonde	2450 MHz ¹⁾ (Gruppo 2/Classe B)	
Dimensioni esterne:	MO318GXE	595 mm (L) x 390 mm (A) x 312 mm (P)
Dimensioni interne	315 mm (L) x 198 mm (A) x 294 mm (P) ²⁾	
Capacità del forno	17 litres ²⁾	
Piatto rotante	ø 245 mm, vetro	
Peso	circa. 15,7 kg	

- ¹⁾ Il Prodotto soddisfa i requisiti della norma europea EN55011. In conformità a tale norma, questo prodotto è classificato come apparecchiatura appartenente al gruppo 2 classe B. Gruppo 2 significa che l'apparecchiatura genera energia in frequenza radio sotto forma di radiazioni elettromagnetiche per il riscaldamento dei cibi. Apparecchiatura di Classe B significa che l'apparecchiatura può essere utilizzata in ambienti domestici.
- ²⁾ La capacità interna è calcolata misurando larghezza, profondità e altezza massima. Lo spazio a disposizione per gli alimenti è inferiore e dipende dagli accessori inseriti.

8. INFORMAZIONI AMBIENTALI

Riciclare i materiali con il simbolo .
Buttare l'imballaggio negli appositi contenitori per il riciclaggio.

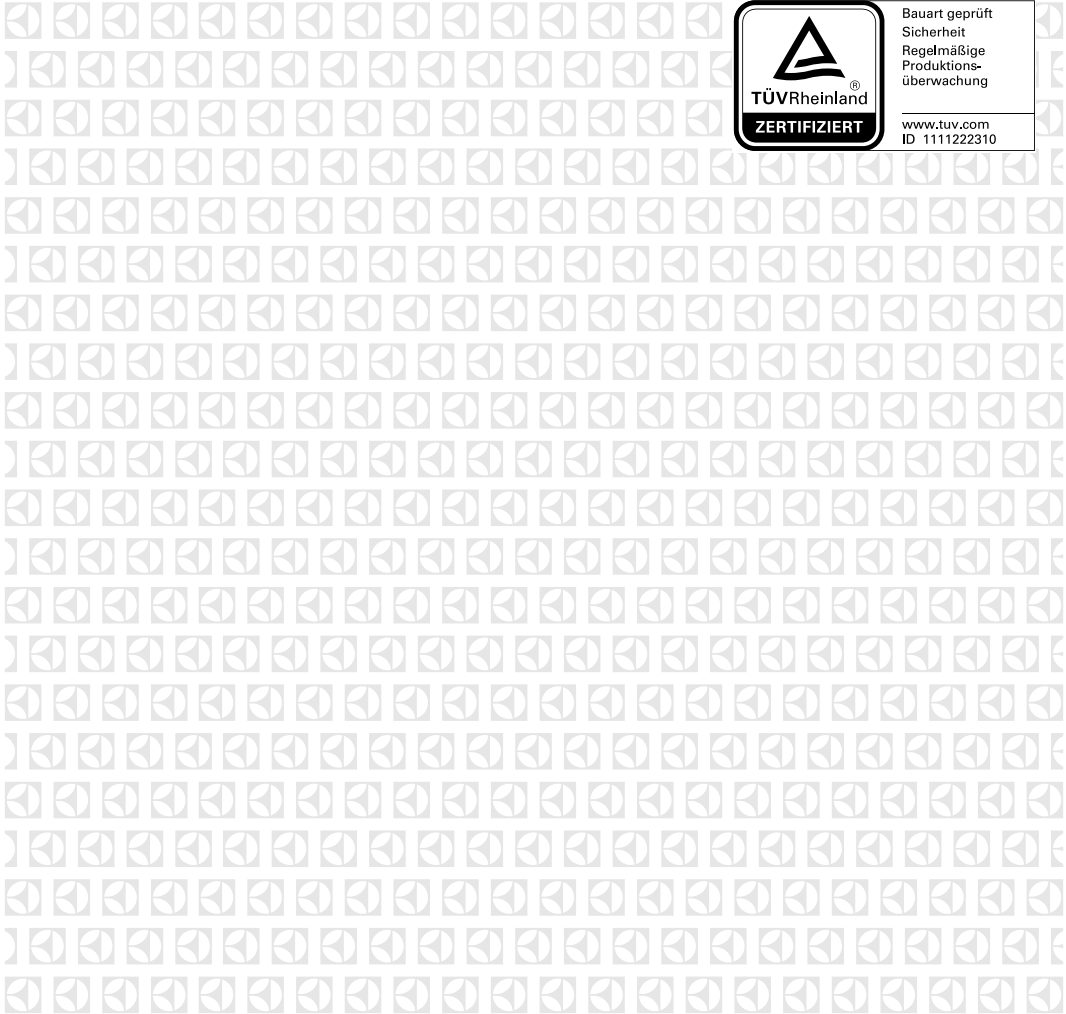
Aiutare a proteggere l'ambiente e la salute umana e a riciclare rifiuti derivanti da apparecchiature elettriche ed elettroniche.

Non smaltire le apparecchiature che riportano il simbolo  insieme ai normali rifiuti domestici. Portare il prodotto al punto di riciclaggio più vicino o contattare il comune di residenza.

electrolux.com/shop



TINS-B364URRO



Bauart geprüft
Sicherheit
Regelmäßige
Produktions-
überwachung

www.tuv.com
ID 1111222310