

LYB2AF82S



EN Freezer
ES Congelador
TR Dondurucu

User Manual 2
Manual de instrucciones 18
Kullanma Kılavuzu 36

CONTENTS

1. SAFETY INFORMATION.....	2
2. SAFETY INSTRUCTIONS.....	4
3. INSTALLATION.....	6
4. CONTROL PANEL.....	8
5. DAILY USE.....	9
6. HINTS AND TIPS.....	10
7. CARE AND CLEANING.....	11
8. TROUBLESHOOTING.....	13
9. NOISES.....	16
10. TECHNICAL DATA.....	16
11. INFORMATION FOR TEST INSTITUTES.....	16

WE'RE THINKING OF YOU

Thank you for purchasing an Electrolux appliance. You've chosen a product that brings with it decades of professional experience and innovation. Ingenious and stylish, it has been designed with you in mind. So whenever you use it, you can be safe in the knowledge that you'll get great results every time.

Welcome to Electrolux.

Visit our website to:



Get usage advice, brochures, trouble shooter, service and repair information:
www.electrolux.com/support



Register your product for better service:
www.registerelectrolux.com



Buy Accessories, Consumables and Original spare parts for your appliance:
www.electrolux.com/shop

CUSTOMER CARE AND SERVICE

Always use original spare parts.

When contacting our Authorised Service Centre, ensure that you have the following data available: Model, PNC, Serial Number.

The information can be found on the rating plate.

 Warning / Caution-Safety information

 General information and tips

 Environmental information

Subject to change without notice.

1. SAFETY INFORMATION

Before the installation and use of the appliance, carefully read the supplied instructions. The manufacturer is not responsible for any injuries or damage that are the result

of incorrect installation or usage. Always keep the instructions in a safe and accessible location for future reference.

1.1 Children and vulnerable people safety

- This appliance can be used by children aged from 8 years and above and persons with reduced physical, sensory or mental capabilities or lack of experience and knowledge if they have been given supervision or instruction concerning the use of the appliance in a safe way and understand the hazards involved.
- Children aged from 3 to 8 years are allowed to load and unload the appliance provided that they have been properly instructed.
- This appliance may be used by persons with very extensive and complex disabilities provided that they have been properly instructed.
- Children of less than 3 years of age should be kept away from the appliance unless continuously supervised.
- Do not let children play with the appliance.
- Children shall not carry out cleaning and user maintenance of the appliance without supervision.
- Keep all packaging away from children and dispose of it appropriately.

1.2 General Safety

- This appliance is intended to be used in household and similar applications such as:
 - Farm houses; staff kitchen areas in shops, offices and other working environments;
 - By clients in hotels, motels, bed and breakfast and other residential type environments.
- To avoid contamination of food respect the following instructions:
 - do not open the door for long periods;
 - clean regularly surfaces that can come in contact with food and accessible drainage systems;

- **WARNING:** Keep ventilation openings, in the appliance enclosure or in the built-in structure, clear of obstruction.
- **WARNING:** Do not use mechanical devices or other means to accelerate the defrosting process, other than those recommended by the manufacturer.
- **WARNING:** Do not damage the refrigerant circuit.
- **WARNING:** Do not use electrical appliances inside the food storage compartments of the appliance, unless they are of the type recommended by the manufacturer.
- Do not use water spray and steam to clean the appliance.
- Clean the appliance with a moist soft cloth. Only use neutral detergents. Do not use abrasive products, abrasive cleaning pads, solvents or metal objects.
- When the appliance is empty for long period, switch it off, defrost, clean, dry and leave the door open to prevent mould from developing within the appliance.
- Do not store explosive substances such as aerosol cans with a flammable propellant in this appliance.
- If the supply cord is damaged, it must be replaced by the manufacturer, its Authorised Service Centre or similarly qualified persons in order to avoid a hazard.

2. SAFETY INSTRUCTIONS

2.1 Installation



WARNING!

Only a qualified person must install this appliance.

- Remove all the packaging.
- Do not install or use a damaged appliance.
- Do not use the appliance before installing it in the built-in structure due to safety manner.
- Follow the installation instructions supplied with the appliance.
- Always take care when moving the appliance as it is heavy. Always use safety gloves and enclosed footwear.
- Make sure the air can circulate around the appliance.
- At first installation or after reversing the door wait at least 4 hours before connecting the appliance to the power supply. This is to allow the oil to flow back in the compressor.
- Before carrying out any operations on the appliance (e.g. reversing the door), remove the plug from the power socket.
- Do not install the appliance close to radiators or cookers, ovens or hobs.
- Do not expose the appliance to the rain.
- Do not install the appliance where there is direct sunlight.

- Do not install this appliance in areas that are too humid or too cold.
- When you move the appliance, lift it by the front edge to avoid scratching the floor.

2.2 Electrical connection



WARNING!
Risk of fire and electric shock.



WARNING!
When positioning the appliance, ensure the supply cord is not trapped or damaged.



WARNING!
Do not use multi-plug adapters and extension cables.

- The appliance must be earthed.
- Make sure that the parameters on the rating plate are compatible with the electrical ratings of the mains power supply.
- Always use a correctly installed shockproof socket.
- Make sure not to cause damage to the electrical components (e.g. mains plug, mains cable, compressor). Contact the Authorised Service Centre or an electrician to change the electrical components.
- The mains cable must stay below the level of the mains plug.
- Connect the mains plug to the mains socket only at the end of the installation. Make sure that there is access to the mains plug after the installation.
- Do not pull the mains cable to disconnect the appliance. Always pull the mains plug.

2.3 Use



WARNING!
Risk of injury, burns, electric shock or fire.



The appliance contains flammable gas, isobutane (R600a), a natural gas

with a high level of environmental compatibility. Be careful not to cause damage to the refrigerant circuit containing isobutane.

- Do not change the specification of this appliance.
- Do not put electrical appliances (e.g. ice cream makers) in the appliance unless they are stated applicable by the manufacturer.
- If damage occurs to the refrigerant circuit, make sure that there are no flames and sources of ignition in the room. Ventilate the room.
- Do not let hot items to touch the plastic parts of the appliance.
- Do not put soft drinks in the freezer compartment. This will create pressure on the drink container.
- Do not store flammable gas and liquid in the appliance.
- Do not put flammable products or items that are wet with flammable products in, near or on the appliance.
- Do not touch the compressor or the condenser. They are hot.
- Do not remove or touch items from the freezer compartment if your hands are wet or damp.
- Do not freeze again food that has been thawed.
- Follow the storage instructions on the packaging of frozen food.
- Wrap the food in any food contact material before putting it in the freezer compartment.

2.4 Internal lighting



WARNING!
Risk of electric shock.

- Concerning the lamp(s) inside this product and spare part lamps sold separately: These lamps are intended to withstand extreme physical conditions in household appliances, such as temperature, vibration, humidity, or are intended to signal information about the operational status of the appliance. They are not intended to be used in other applications and are not suitable for household room illumination.

2.5 Care and cleaning



WARNING!

Risk of injury or damage to the appliance.

- Before maintenance, deactivate the appliance and disconnect the mains plug from the mains socket.
- This appliance contains hydrocarbons in the cooling unit. Only a qualified person must do the maintenance and the recharging of the unit.
- Regularly examine the drain of the appliance and if necessary, clean it. If the drain is blocked, defrosted water collects in the bottom of the appliance.

2.6 Service

- To repair the appliance contact the Authorised Service Centre. Use original spare parts only.
- Please note that self-repair or non-professional repair can have safety consequences and might void the guarantee.
- The following spare parts will be available for 7 years after the model has been discontinued: thermostats, temperature sensors, printed circuit boards, light sources, door handles,

door hinges, trays and baskets.

Please note that some of these spare parts are only available to professional repairers, and that not all spare parts are relevant for all models.

- Door gaskets will be available for 10 years after the model has been discontinued.

2.7 Disposal



WARNING!

Risk of injury or suffocation.

- Disconnect the appliance from the mains supply.
- Cut off the mains cable and discard it.
- Remove the door to prevent children and pets to be closed inside of the appliance.
- The refrigerant circuit and the insulation materials of this appliance are ozone-friendly.
- The insulation foam contains flammable gas. Contact your municipal authority for information on how to discard the appliance correctly.
- Do not cause damage to the part of the cooling unit that is near the heat exchanger.

3. INSTALLATION



WARNING!

Refer to Safety chapters.



WARNING!

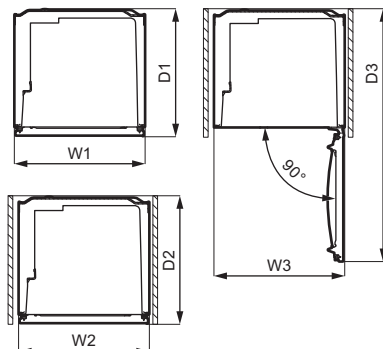
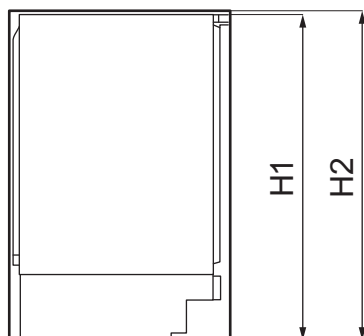
Refer to installation instruction document to install your appliance.



WARNING!

Fix the appliance in accordance with installation instruction document to avoid a risk of instability of the appliance.

3.1 Dimensions



Overall dimensions ¹		
H1	mm	819
W1	mm	560
D1	mm	547

¹ the height, width and depth of the appliance without the handle and feet

Space required in use ²		
H2	mm	820
W2	mm	560
D2	mm	550

² the height, width and depth of the appliance including the handle, plus the space necessary for free circulation of the cooling air

Overall space required in use ³		
H2	mm	820
W3	mm	560
D3	mm	1083

³ the height, width and depth of the appliance including the handle, plus the space necessary for free circulation of the cooling air, plus the space necessary to allow door opening to the minimum angle permitting removal of all internal equipment

3.2 Location

To ensure appliance's best functionality, you should not install the appliance in the nearby of the heat source (oven, stoves, radiators, cookers or hobs) or in a place with direct sunlight. Make sure that air can circulate freely around the back of the cabinet.

3.3 Positioning

This appliance should be installed in a dry, well ventilated indoor position.

This appliance is intended to be used at ambient temperature ranging from 10°C to 43°C.

i The correct operation of the appliance can only be guaranteed within the specified temperature range.

i If you have any doubts regarding where to install the appliance, please turn to the vendor, to our customer service or to the nearest Authorised Service Centre.

i It must be possible to disconnect the appliance from the mains power supply. The plug must therefore be easily accessible after installation.

3.4 Electrical connection

- Before plugging in, ensure that the voltage and frequency shown on the rating plate correspond to your domestic power supply.
- The appliance must be earthed. The power supply cable plug is provided with a contact for this purpose. If the domestic power supply socket is not earthed, connect the appliance to a separate earth in compliance with current regulations, consulting a qualified electrician.
- The manufacturer declines all responsibility if the above safety precautions are not observed.
- This appliance complies with the E.E.C. Directives.

3.5 Ventilation requirements



CAUTION!

Appliance must be installed according to installation instruction in order to ensure required ventilation.

3.6 Door reversibility

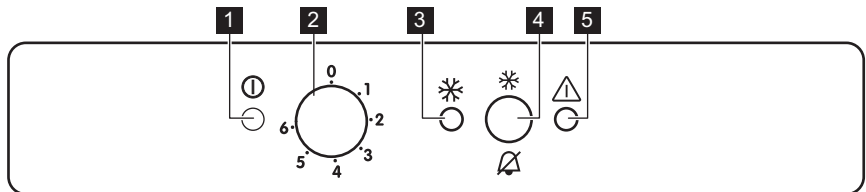
Please refer to the separate document with instructions on installation and door reversal.



CAUTION!

At every stage of reversing the door protect the floor from scratching with a durable material.

4. CONTROL PANEL



1 Power indicator light

2 Temperature regulator and On/Off switch

3 FastFreeze light

4 FastFreeze switch and alarm reset switch

5 Alarm light

4.1 Switching on

1. Insert the plug into the wall socket.
2. Turn the Temperature regulator clockwise to a medium setting.

If the temperature inside the appliance is too high, the Alarm light will blink and the acoustic alarm will turn on.

3. Push the FastFreeze switch and the acoustic alarm will turn off. The Alarm light will blink until the internal temperature has reached a level required for the safe conservation of frozen food.

4.2 Switching off

1. Turn the Temperature regulator to the "O" position.

The Power indicator light will switch off.

2. Remove the plug from the wall socket.

4.3 Temperature regulation

The temperature is regulated automatically. However, you can set a temperature inside the appliance yourself.

Choose the setting keeping in mind that the temperature inside the appliance depends on:

- room temperature,
- frequency of opening the door,
- quantity of food stored,
- appliance location.

A medium setting is generally the most suitable one.

To operate the appliance:

1. Turn the temperature regulator clockwise to obtain a lower temperature inside the appliance.
2. Turn the temperature regulator counterclockwise to obtain a higher temperature inside the appliance.

4.4 FastFreeze function

The FastFreeze is used to perform pre-freezing and fast freezing in sequence of Freezer compartment. This function accelerates the freezing of fresh food and, at the same time, protects foodstuffs already stored from undesirable warming.



To freeze fresh food activate the FastFreeze function at least 24 hours before placing the food to complete pre-freezing.

To switch on the function:

1. Press the FastFreeze button for 2-3 seconds to activate the FastFreeze

function. The FastFreeze light will switch on.

2. Place the food in the freezing compartment and keep the FastFreeze function switched on for further 24 hours. Refer to "Freezing fresh food" section.



This function stops automatically after 52 hours. It is possible to deactivate the function at any time by pressing the FastFreeze switch for 2-3 seconds.

4.5 High temperature alarm

When there is a temperature increase in the freezer compartment (e.g. due to a power failure) the Alarm light is blinking and sound is on.

The sound can be switched off at any time by pressing the Alarm reset switch.

When normal conditions are restored the Alarm light stops blinking and the sound turns off automatically.

5. DAILY USE

5.1 Freezing fresh food

The freezer compartment is suitable for freezing fresh food and storing frozen and deep-frozen food for a long time.

To freeze fresh food activate the FastFreeze function at least 24 hours before placing the food to be frozen in the freezer compartment.

Store the fresh food evenly distributed in the first compartment or drawer from the top.

The maximum amount of food that can be frozen without adding other fresh food during 24 hours is specified on the rating plate (a label located inside the appliance).

When the freezing process is complete, the appliance automatically returns to the previous temperature setting (see "FastFreeze Function").

5.2 Storage of frozen food

When activating an appliance for the first time or after a period out of use, before putting the products in the compartment let the appliance run at least 3 hours with the FastFreeze function switched on.

The freezer drawers ensure that it is quick and easy to find the food package you want. If large quantities of food are to be stored, remove all drawers, except for the bottom drawer which needs to be in place to provide good air circulation.

Keep the food no closer than 15 mm from the door.

**CAUTION!**

In the event of accidental defrosting, for example due to a power failure, if the power has been off for longer than the value shown on rating plate under "rising time", the defrosted food must be consumed quickly or cooked immediately then cooled and then re-frozen. Refer to "High temperature alarm".

6. HINTS AND TIPS

6.1 Hints for energy saving

- The internal configuration of the appliance is the one that ensures the most efficient use of energy.
- Do not open the door frequently or leave it open longer than necessary.
- The colder the temperature setting, the higher the energy consumption.
- Ensure a good ventilation. Do not cover the ventilation grilles or holes.

6.2 Hints for freezing

- Activate FastFreeze function at least 24 hours before placing the food inside the freezer compartment.
- Before freezing wrap and seal fresh food in: aluminium foil, plastic film or bags, airtight containers with lid.
- For more efficient freezing and thawing divide food into small portions.
- It is recommended to put labels and dates on all your frozen food. This will help to identify foods and to know when they should be used before their deterioration.
- The food should be fresh when being frozen to preserve good quality. Especially fruits and vegetables should be frozen after the harvest to preserve all of their nutrients.
- Do not freeze bottles or cans with liquids, in particular drinks containing carbon dioxide - they may explode during freezing.
- Do not put hot food in the freezer compartment. Cool it down at room

5.3 Thawing

Deep-frozen or frozen food, prior to being consumed, can be thawed in the refrigerator or inside a plastic bag under cold water.

This operation depends on the time available and on the type of food. Small pieces may even be cooked still frozen.

temperature before placing it inside the compartment.

- To avoid increase in temperature of already frozen food, do not place fresh unfrozen food directly next to it. Place food at room temperature in the part of the freezer compartment where there is no frozen food.
- Do not eat ice cubes, water ices or ice lollies immediately after taking them out of the freezer. Risk of frostbites.
- Do not re-freeze defrosted food. If the food has defrosted, cook it, cool it down and then freeze it.

6.3 Hints for storage of frozen food

- The medium temperature setting ensures good preservation of frozen food products. Higher temperature setting inside the appliance may lead to shorter shelf life.
- The whole freezer compartment is suitable for storage of frozen food products.
- Leave enough space around the food to allow air to circulate freely.
- For adequate storage refer to food packaging label to see the shelf life of food.
- It is important to wrap the food in such a way that prevents water, humidity or condensation from getting inside.

6.4 Shopping tips

After grocery shopping:

- Ensure that the packaging is not damaged - the food could be deteriorated. If the package is swollen or wet, it might have not been stored in the optimal conditions and defrosting may have already started.
- To limit the defrosting process buy frozen goods at the end of your grocery shopping and transport them in a thermal and insulated cool bag.
- Place the frozen foods immediately in the freezer after coming back from the shop.
- If food has defrosted even partially, do not re-freeze it. Consume it as soon as possible.
- Respect the expiry date and the storage information on the package.

6.5 Shelf life

Type of food	Shelf life (months)
Bread	3
Fruits (except citrus)	6 - 12
Vegetables	8 - 10
Leftovers without meat	1 - 2
Dairy food:	
Butter	6 - 9
Soft cheese (e.g. mozzarella)	3 - 4
Hard cheese (e.g. parmesan, cheddar)	6
Seafood:	
Fatty fish (e.g. salmon, mackerel)	2 - 3
Lean fish (e.g. cod, flounder)	4 - 6
Shrimps	12
Shucked clams and mussels	3 - 4
Cooked fish	1 - 2
Meat:	
Poultry	9 - 12
Beef	6 - 12
Pork	4 - 6
Lamb	6 - 9
Sausage	1 - 2
Ham	1 - 2
Leftovers with meat	2 - 3

7. CARE AND CLEANING



WARNING!
Refer to Safety chapters.

lukewarm water and some neutral soap to remove the typical smell of a brand-new product, then dried thoroughly.

7.1 Cleaning the interior

Before using the appliance for the first time, the interior and all internal accessories should be washed with

**CAUTION!**

Do not use detergents, abrasive powders, chlorine or oil-based cleaners as they will damage the finish.

**CAUTION!**

The accessories and parts of the appliance are not suitable for washing in a dishwasher.

7.2 Periodic cleaning

The equipment has to be cleaned regularly:

1. Clean the inside and accessories with lukewarm water and some neutral soap.
2. Regularly check the door seals and wipe them clean to ensure they are clean and free from debris.
3. Rinse and dry thoroughly.

7.3 Defrosting of the freezer

**CAUTION!**

Never use sharp metal tools to scrape off frost from the evaporator as you could damage it.

Do not use a mechanical device or any artificial means to speed up the thawing process other than those recommended by the manufacturer.



About 12 hours prior to defrosting set a lower temperature in order to build up sufficient chill reserve in case of any interruption in operation.

A certain amount of frost will always form on the freezer shelves and around the top compartment.

Defrost the freezer when the frost layer reaches a thickness of about 3-5 mm.

1. Switch off the appliance or pull out electrical plug from the wall socket.
2. Remove any stored food and put it in a cool place.

**CAUTION!**

A temperature rise of the frozen food packs during defrosting may shorten their safe storage life.

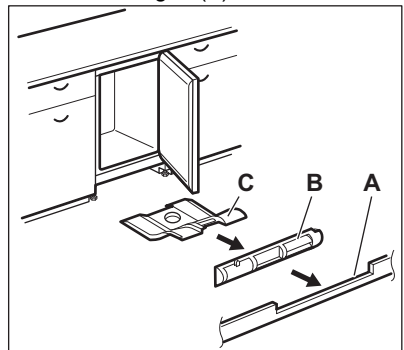
Do not touch frozen goods with wet hands. Hands can freeze to the goods.

3. Leave the door open. Protect the floor from the defrosting water e.g. with a cloth or a flat vessel.
4. In order to speed up the defrosting process, place a pot of warm water in the freezer compartment. In addition, remove pieces of ice that break away before defrosting is complete.
5. When defrosting is complete, dry the interior thoroughly.
6. Switch on the appliance and close the door.
7. Set the temperature regulator to obtain the maximum coldness and run the appliance for at least 3 hours using this setting.

Only after this time put the food back into the freezer compartment.

7.4 Cleaning the air channels

1. Remove the plinth (A), then the ventilation grid (B).

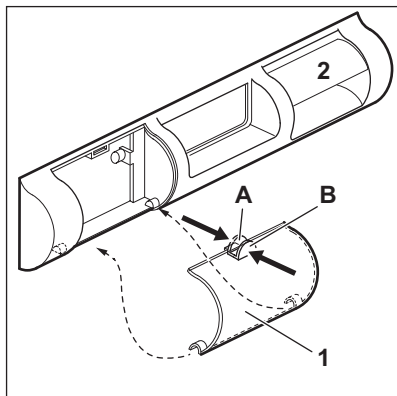


2. Clean the ventilation grid. (Refer to "Cleaning the ventilation filter".)
3. Carefully pull the air deflector out (C), checking that there is no water left from the defrosting.
4. Clean the lower part of the appliance with a vacuum cleaner.

7.5 Cleaning the ventilation filter

The filter can be removed for washing.

The appliance is equipped with an air inlet filter (1) and an air outlet duct (2) on the ventilation grid.



1. Pinch flaps (A) and (B) with fingers.
2. Pull the filter down.
3. Pull the filter out.
4. To replace the filter reverse the process.

7.6 Period of non-operation

When the appliance is not in use for long period, take the following precautions:

1. Disconnect the appliance from electricity supply.
2. Remove all food.
3. Defrost the appliance.
4. Clean the appliance and all accessories.
5. Leave the door open to prevent unpleasant smells.

8. TROUBLESHOOTING



WARNING!
Refer to Safety chapters.

8.1 What to do if...

Problem	Possible cause	Solution
The appliance does not operate.	The appliance is switched off.	Switch on the appliance.
	The mains plug is not connected to the mains socket correctly.	Connect the mains plug to the mains socket correctly.
	There is no voltage in the mains socket.	Connect a different electrical appliance to the mains socket. Contact a qualified electrician.
The appliance is noisy.	The appliance is not supported properly.	Check if the appliance stands stable.
Acoustic or visual alarm is on.	The cabinet has been recently switched on.	Refer to "Door Open Alarm" or "High Temperature Alarm".

Problem	Possible cause	Solution
	The temperature in the appliance is too high.	Refer to "Door Open Alarm" or "High Temperature Alarm".
The compressor operates continually.	Temperature is set incorrectly.	Refer to "Control Panel" chapter.
	Many food products were put in at the same time.	Wait a few hours and then check the temperature again.
	The room temperature is too high.	Refer to "Installation" chapter.
	Food products placed in the appliance were too warm.	Allow food products to cool to room temperature before storing.
	The door is not closed correctly.	Refer to "Closing the door" section.
	The FastFreeze function is switched on.	Refer to "FastFreeze function" section.
The compressor does not start immediately after pressing the "FastFreeze", or after changing the temperature.	The compressor starts after a period of time.	This is normal, no error has occurred.
Door is misaligned or interferes with ventilation grill.	The appliance is not levelled.	Refer to installation instructions.
Door does not open easily.	You attempted to re-open the door immediately after closing.	Wait a few seconds between closing and re-opening of the door.
There is too much frost and ice.	The door is not closed correctly.	Refer to "Closing the door" section.
	The gasket is deformed or dirty.	Refer to "Closing the door" section.
	Food products are not wrapped properly.	Wrap the food products better.
	Temperature is set incorrectly.	Refer to "Control Panel" chapter.
	Appliance is fully loaded and is set to the lowest temperature.	Set a higher temperature. Refer to "Control Panel" chapter.
	Temperature set in the appliance is too low and the ambient temperature is too high.	Set a higher temperature. Refer to "Control Panel" chapter.

Problem	Possible cause	Solution
Water flows on the floor.	The melting water outlet is not connected to the evaporative tray above the compressor.	Attach the melting water outlet to the evaporative tray.
Temperature cannot be set.	The "FastFreeze function" is switched on.	Switch off "FastFreeze function" manually, or wait until the function deactivates automatically to set the temperature. Refer to "FastFreeze function" section.
The temperature in the appliance is too low/too high.	The temperature is not set correctly.	Set a higher/lower temperature.
	The door is not closed correctly.	Refer to "Closing the door" section.
	The food products' temperature is too high.	Let the food products temperature decrease to room temperature before storage.
	Many food products are stored at the same time.	Store less food products at the same time.
	The thickness of the frost is greater than 4-5 mm.	Defrost the appliance.
	The door has been opened often.	Open the door only if necessary.
	The FastFreeze function is switched on.	Refer to "FastFreeze function" section.
	There is no cold air circulation in the appliance.	Make sure that there is cold air circulation in the appliance. Refer to "Hints and Tips" chapter.
Power indicator light flashes.	An error has occurred in measuring the temperature.	Contact a qualified electrician or the nearest Authorized Service Centre.



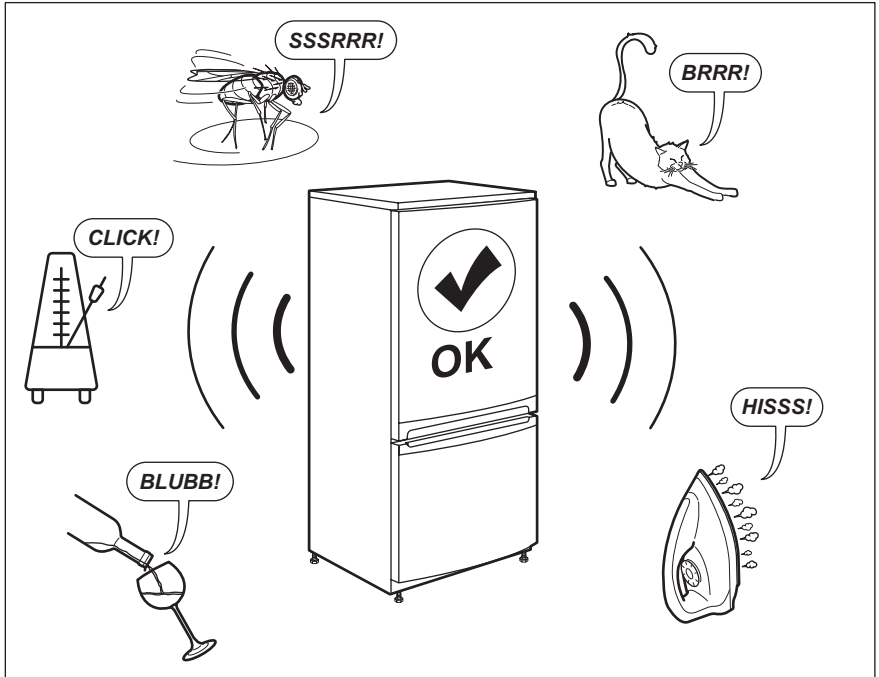
If the advice does not lead to the desired result, call the nearest Authorized Service Centre.

2. If necessary, adjust the door. Refer to installation instructions.
3. If necessary, replace the defective door gaskets. Contact the Authorized Service Centre.

8.2 Closing the door

1. Clean the door gaskets.

9. NOISES



10. TECHNICAL DATA

The technical information is situated in the rating plate on the internal side of the appliance and on the energy label.

The QR code on the energy label supplied with the appliance provides a web link to the information related to the performance of the appliance in the EU EPREL database. Keep the energy label for reference together with the user manual and all other documents provided with this appliance.

It is also possible to find the same information in EPREL using the link <https://eprel.ec.europa.eu> and the model name and product number that you find on the rating plate of the appliance.


See the link www.theenergylabel.eu for detailed information about the energy label.


11. INFORMATION FOR TEST INSTITUTES

Installation and preparation of the appliance for any EcoDesign verification shall be compliant with EN 62552. Ventilation requirements, recess dimensions and minimum rear

clearances shall be as stated in this User Manual at Chapter 3. Please contact the manufacturer for any other further information, including loading plans.

12. ENVIRONMENTAL CONCERNS

Recycle materials with the symbol .
Put the packaging in relevant containers to recycle it. Help protect the environment and human health by recycling waste of electrical and electronic appliances. Do not dispose of

appliances marked with the symbol  with the household waste. Return the product to your local recycling facility or contact your municipal office.

CONTENIDO

1. INFORMACIÓN SOBRE SEGURIDAD.....	18
2. INSTRUCCIONES DE SEGURIDAD.....	21
3. INSTALACIÓN.....	23
4. PANEL DE CONTROL.....	25
5. USO DIARIO.....	26
6. CONSEJOS.....	27
7. MANTENIMIENTO Y LIMPIEZA.....	28
8. SOLUCIÓN DE PROBLEMAS.....	30
9. RUIDOS.....	34
10. DATOS TÉCNICOS.....	34
11. INFORMACIÓN PARA LOS INSTITUTOS DE PRUEBAS.....	34

PENSAMOS EN USTED

Gracias por adquirir un aparato Electrolux. Ha escogido un producto que contiene décadas de experiencia e innovación profesionales. Ingenioso y elegante, se ha diseñado pensando en usted. Así pues, siempre que lo utilice, puede tener la seguridad de que conseguirá excelentes resultados.

Bienvenido a Electrolux.

Visite nuestro sitio web para:



Obtener consejos, folletos, soluciones a problemas e información de servicio y reparación:

www.electrolux.com/support



Registrar su producto para recibir un mejor servicio:

www.registerelectrolux.com



Adquirir accesorios, artículos de consumo y recambios originales para su aparato:


www.electrolux.com/shop

ATENCIÓN Y SERVICIO AL CLIENTE

Le recomendamos que utilice recambios originales.

Al contactar con nuestro centro autorizado de servicio técnico, cerciőrese de tener la siguiente informaci3n a mano: Modelo, PNC, N3mero de serie.

La informaci3n se puede encontrar en la placa de caracter3sticas.

 Advertencia / Precauci3n-Informaci3n sobre seguridad

 Informaci3n general y consejos

 Informaci3n sobre el medio ambiente

Salvo modificaciones.

1. INFORMACI3N SOBRE SEGURIDAD

Antes de instalar y utilizar el aparato, lea atentamente las instrucciones facilitadas. El fabricante no se hace responsable de lesiones o da3os producidos como

resultado de una instalación o un uso incorrectos. Conserve siempre estas instrucciones en lugar seguro y accesible para futuras consultas.

1.1 Seguridad de niños y personas vulnerables

- Este aparato puede ser utilizado por niños de 8 años en adelante y personas cuyas capacidades físicas, sensoriales o mentales estén disminuidas o que carezcan de la experiencia y conocimientos suficientes para manejarlo, siempre que cuenten con las instrucciones o la supervisión sobre el uso del electrodoméstico de forma segura y comprendan los riesgos.
- Los niños de 3 a 8 años pueden cargar y descargar el aparato siempre que hayan sido debidamente instruidos.
- Este aparato puede ser utilizado por personas con discapacidades muy extensas y complejas, siempre que hayan sido instruidas adecuadamente.
- Es necesario mantener alejados del aparato a los niños de menos de 3 años salvo que estén bajo supervisión continua.
- No deje que los niños jueguen con el aparato.
- La limpieza y mantenimiento de usuario del aparato no podrán ser realizados por niños sin supervisión.
- Mantenga todo el material de embalaje fuera del alcance de los niños y deséchelo de forma adecuada.

1.2 Seguridad general

- Este aparato está concebido para utilizarse en aplicaciones domésticas y similares, tales como:
 - Granjas; áreas de cocina para el personal en tiendas, oficinas y otros entornos de trabajo;
 - Por clientes en hoteles, moteles, pensiones y otros entornos de tipo residencial.
- Para evitar la contaminación alimentaria, respete las siguientes instrucciones:

- no abra la puerta durante largos periodos de tiempo;
- limpie regularmente las superficies que pueden entrar en contacto con los alimentos y los sistemas de drenaje accesibles;
- ADVERTENCIA: Mantenga libres de obstrucciones las aberturas de ventilación del alojamiento del aparato o de la estructura empotrada.
- ADVERTENCIA: No utilice dispositivos mecánicos ni medios artificiales para acelerar el proceso de descongelación, excepto los recomendados por el fabricante.
- ADVERTENCIA: No dañe el circuito del refrigerante.
- ADVERTENCIA: No utilice dispositivos eléctricos dentro de los compartimientos para alimentos del aparato, salvo si son del tipo recomendado por el fabricante.
- No utilice pulverizadores ni vapor de agua para limpiar el aparato.
- Limpie el aparato con un paño suave humedecido. Utilice solo detergentes neutros. No utilice productos abrasivos, estropajos duros, disolventes ni objetos metálicos.
- Cuando el aparato esté vacío durante un largo período, apáguelo, descongélelo, límpielo, séquelo y deje la puerta abierta para evitar que se desarrolle moho en el interior del aparato.
- No almacene sustancias explosivas tales como latas de aerosol con un propulsor inflamable en este aparato.
- Si el cable eléctrico sufre algún daño, el fabricante, su servicio técnico autorizado o un profesional cualificado tendrán que cambiarlo para evitar riesgos.

2. INSTRUCCIONES DE SEGURIDAD

2.1 Instalación



ADVERTENCIA!

Sólo un técnico cualificado puede instalar el aparato.

- Retire todo el embalaje.
- No instale ni utilice un aparato dañado.
- No utilice el aparato antes de instalarlo en la estructura empotrada por motivos de seguridad.
- Siga las instrucciones de instalación suministradas con el aparato.
- Tenga cuidado al mover el aparato, porque es pesado. Utilice siempre guantes de protección y calzado cerrado.
- Asegúrese de que el aire pueda circular alrededor del aparato.
- En la primera instalación otras invertir el sentido de apertura de la puerta, espere al menos 4 horas antes de conectar el aparato a la alimentación eléctrica. Esto es para permitir que el aceite regrese al compresor.
- Desenchufe siempre el aparato antes de llevar a cabo cualquier operación, por ejemplo cambiar el sentido de apertura de la puerta.
- No instale el aparato cerca de radiadores, cocinas, hornos o placas de cocción.
- No exponga el aparato a la lluvia.
- No instale el aparato donde reciba luz solar directa.
- No instale este aparato en áreas excesivamente húmedas o frías.
- Al mover el aparato, levántelo por el borde frontal para no arañar el suelo.

2.2 Conexión eléctrica



ADVERTENCIA!

Riesgo de incendios y descargas eléctricas.



ADVERTENCIA!

Al colocar el producto, asegúrese de que el cable de alimentación no queda atrapado o doblado.



ADVERTENCIA!

No utilice adaptadores de enchufes múltiples ni cables prolongadores.

- El aparato debe conectarse a tierra.
- Asegúrese de que los parámetros de la placa de características son compatibles con los valores eléctricos del suministro eléctrico.
- Utilice siempre una toma con aislamiento de conexión a tierra correctamente instalada.
- Asegúrese de no provocar daños en los componentes eléctricos (como enchufe, cable de alimentación, compresor). Póngase en contacto con un electricista o con el servicio técnico autorizado para cambiar los componentes eléctricos.
- El cable de alimentación debe estar por debajo del nivel del enchufe de alimentación.
- Conecte el enchufe a la toma de corriente únicamente cuando haya terminado la instalación. Asegúrese de tener acceso al enchufe del suministro de red una vez finalizada la instalación.
- No desconecte el aparato tirando del cable de conexión a la red. Tire siempre del enchufe.

2.3 Uso del aparato



ADVERTENCIA!

Existe riesgo de lesiones, quemaduras, descargas eléctricas o incendios.



El aparato contiene un gas inflamable, isobutano (R600a), un gas natural con alto grado de compatibilidad medioambiental. Tenga cuidado para no dañar el circuito de refrigerante que contiene isobutano.

- No cambie las especificaciones de este aparato.
- No utilice otros aparatos eléctricos (como máquinas de hacer helados) dentro de aparatos de refrigeración,

salvo que el fabricante haya autorizado su utilización.

- Si se daña el circuito del refrigerante, evite las llamas y fuentes de ignición en la habitación. Ventile la habitación.
- No toque con elementos calientes las piezas de plástico del aparato.
- No coloque bebidas con gas en el congelador. Se creará presión en el contenedor de la bebida.
- No almacene gas ni líquido inflamable en el aparato.
- No coloque productos inflamables ni objetos mojados con productos inflamables dentro, cerca o encima del aparato.
- No toque el compresor ni el condensador. Están calientes.
- No retire ni toque elementos del compartimento congelador con las manos húmedas o mojadas.
- No vuelva a congelar alimentos que se hayan descongelado.
- Siga las instrucciones del envase de los alimentos congelados.
- Envuelva los alimentos en cualquier material adecuado antes de ponerlos en el congelador.

2.4 Luces interiores



ADVERTENCIA!

Riesgo de descarga eléctrica.

- En cuanto a la(s) bombilla(s) de este producto y las de repuesto vendidas por separado: Estas bombillas están destinadas a soportar condiciones físicas extremas en los aparatos domésticos, como la temperatura, la vibración, la humedad, o están destinadas a señalar información sobre el estado de funcionamiento del aparato. No están destinadas a utilizarse en otras aplicaciones y no son adecuadas para la iluminación de estancias domésticas.

2.5 Mantenimiento y limpieza



ADVERTENCIA!

Podría sufrir lesiones o dañar el aparato.

- Antes de proceder con el mantenimiento, apague el aparato y desconecte el enchufe de la red.
- Este equipo contiene hidrocarburos en la unidad de refrigeración. Solo una persona cualificada debe realizar el mantenimiento y la recarga de la unidad.
- Examine periódicamente el desagüe del aparato y límpielo si fuera necesario. Si el desagüe se bloquea, el agua descongelada se acumulará en la base del aparato.

2.6 Asistencia

- Para reparar el aparato, póngase en contacto con el centro de servicio autorizado. Utilice solamente piezas de recambio originales.
- Tenga en cuenta que la autorreparación o la reparación no profesional puede tener consecuencias de seguridad y podría anular la garantía.
- Las siguientes piezas de repuesto estarán disponibles durante 7 años después de que el modelo se haya retirado: termostatos, sensores de temperatura, placas de circuitos impresos, fuentes de luz, manijas de puertas, bisagras de puertas, bandejas y cestas. Tenga en cuenta que algunas de estas piezas de recambio solo están disponibles para los reparadores profesionales, y que no todas las piezas de recambio son relevantes para todos los modelos.
- Las juntas de las puertas estarán disponibles durante 10 años después de que el modelo se haya retirado.

2.7 Desecho



ADVERTENCIA!

Existe riesgo de lesiones o asfixia.

- Desconecte el aparato de la red.
- Corte el cable de conexión a la red y deséchelo.
- Retire la puerta para evitar que los niños y las mascotas queden encerrados en el aparato.
- El circuito del refrigerante y los materiales aislantes de este aparato no dañan la capa de ozono.

- La espuma aislante contiene gas inflamable. Póngase en contacto con las autoridades locales para saber cómo desechar correctamente el aparato.
- No dañe la parte de la unidad de refrigeración que está cerca del intercambiador de calor.

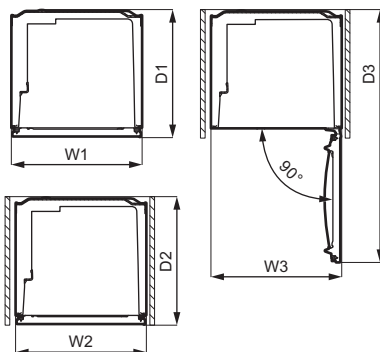
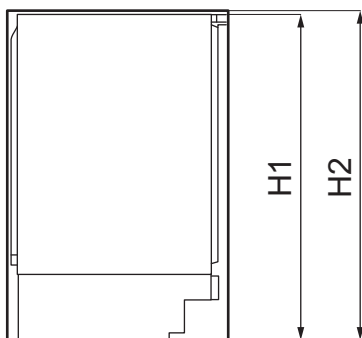
3. INSTALACIÓN

ADVERTENCIA!
 Consulte los capítulos sobre seguridad.

ADVERTENCIA!
 Consulte el documento de instrucciones de instalación para instalar su aparato.

ADVERTENCIA!
 Fije el aparato de acuerdo con las instrucciones de instalación para evitar el riesgo de inestabilidad.

3.1 Medidas



Dimensiones generales ¹		
H1	mm	819
W1	mm	560
D1	mm	547

¹ la altura, anchura y profundidad del aparato sin el mango y las patas

Espacio necesario en uso ²		
H2	mm	820
W2	mm	560
D2	mm	550

² la altura, anchura y profundidad del aparato, incluyendo la manija, más el espacio necesario para la libre circulación del aire de refrigeración

Espacio total necesario en uso ³		
H2	mm	820
W3	mm	560
D3	mm	1083

³ la altura, anchura y profundidad del aparato, incluido el mango, más el espacio necesario para la libre circulación del aire de refrigeración, más el espacio necesario para permitir la apertura de la puerta hasta el ángulo

mínimo que permita la extracción de todo el equipo interno

3.2 Ubicación

Para garantizar el mejor funcionamiento del aparato, no debe instalarlo en las proximidades de la fuente de calor (horno, estufas, radiadores, cocinas o fogones) ni en un lugar con luz solar directa. Asegúrese de que el aire pueda circular libremente alrededor de la parte posterior del gabinete.

3.3 Colocación

Este aparato debe instalarse en una ubicación interior seca y bien ventilada.

Este aparato está destinado a ser utilizado a una temperatura ambiente que oscila entre 10°C y 43°C.



Solo se puede garantizar el correcto funcionamiento del aparato dentro del rango de temperatura especificado.



Si tiene cualquier duda respecto al lugar de instalación del aparato, consulte al vendedor, a nuestro servicio de atención al cliente o al servicio técnico autorizado más cercano.



Puede que en algún momento sea necesario desenchufar el aparato de la toma de corriente. por lo que el enchufe debe quedar accesible tras la instalación del aparato.

3.4 Conexión eléctrica

- Antes de conectar el aparato, compruebe que el voltaje y la

frecuencia indicados en la placa de datos técnicos se corresponden con el suministro de la vivienda.

- El aparato debe conectarse a tierra. El enchufe del cable de alimentación se suministra con un contacto para tal fin. Si la toma de red de la vivienda carece de conexión a tierra, conecte el aparato a una toma de tierra conforme con la normativa, después de consultar a un electricista profesional
- El fabricante declina toda responsabilidad si no se toman las precauciones antes indicadas.
- Este aparato cumple las directivas CEE.

3.5 Requisitos de ventilación



PRECAUCIÓN!

El aparato debe ser instalado de acuerdo con las instrucciones de instalación para asegurar la ventilación necesaria.

3.6 Cambio del sentido de apertura de la puerta

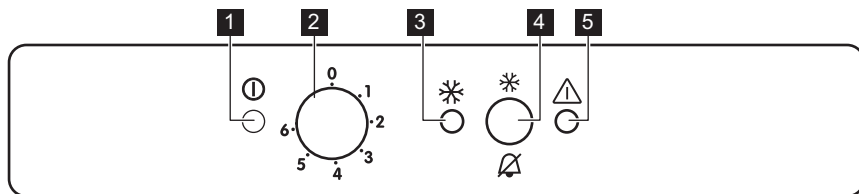
Consulte el documento separado con instrucciones de instalación y de inversión de la puerta.



PRECAUCIÓN!

En todas las fases del cambio de sentido de la puerta, proteja la puerta de arañazos con un material resistente.

4. PANEL DE CONTROL



- | | |
|---|---|
| <p>1 Indicador de funcionamiento</p> <p>2 Regulador de la temperatura e interruptor de Encendido/Apagado</p> <p>3 Luz FastFreeze</p> | <p>4 Interruptor de FastFreeze y de desconexión de la alarma</p> <p>5 Luz de alarma</p> |
|---|---|

4.1 Encendido

1. Introduzca el enchufe en la toma de pared.
2. Gire el regulador de temperatura hacia la derecha, a un ajuste intermedio.

Si la temperatura interior del aparato es muy elevada, parpadea la luz de alarma y suena una alarma acústica.

3. Pulse el interruptor FastFreeze para desactivar la alarma acústica. El indicador luminoso de alarma parpadeará hasta que la temperatura interna sea la necesaria para conservar bien los alimentos congelados.

4.2 Apagado

1. Gire el regulador de temperatura a la posición "0".

El indicador de encendido se apaga.

2. Desenchufe el aparato de la toma de corriente.

4.3 Regulación de la temperatura

La temperatura se regula automáticamente. Sin embargo, puede configurar la temperatura del aparato usted mismo.

El ajuste debe elegirse teniendo en cuenta que la temperatura interior del aparato depende de:

- temperatura ambiente,

- frecuencia de apertura de la puerta,
 - cantidad de alimentos guardados,
 - ubicación del aparato.
- Lo más conveniente es ajustar la temperatura en una posición intermedia.

Para utilizar el aparato:

1. Gire el regulador de temperatura hacia la derecha para obtener una temperatura más baja en el aparato.
2. Gire el regulador de temperatura hacia la izquierda para obtener una temperatura más alta en el aparato.

4.4 Función FastFreeze

FastFreeze se utiliza para realizar la precongelación y la congelación rápida en secuencia en el compartimento del congelador. Esta función acelera la congelación de alimentos frescos e impide que se calienten los alimentos ya almacenados.



Para congelar alimentos frescos, active la función FastFreeze al menos 24 horas antes de introducir los alimentos para completar la precongelación.

Para activar la función:

1. Pulse el botón FastFreeze durante 2-3 segundos para activar la función FastFreeze. Se enciende el indicador FastFreeze.
2. Coloque los alimentos en el compartimento congelador y deje la función FastFreeze durante otras 24

horas. Consulte la sección "Congelación de alimentos frescos".



La función se detiene automáticamente después de 52 horas. La función se puede desactivar en cualquier momento pulsando el interruptor FastFreeze durante 2-3 segundos.

4.5 Alarma de temperatura alta

Cuando se produce un aumento de la temperatura en el compartimento

congelador (por ejemplo, debido a un fallo de alimentación) la luz de la alarma parpadea y el sonido se activa.

El sonido se puede parar en cualquier momento pulsando la tecla de desconexión de la alarma.

Una vez restablecidas las condiciones normales, la luz de alarma deja de parpadear y el sonido se apaga automáticamente.

5. USO DIARIO

5.1 Congelación de alimentos frescos

El compartimento del congelador es adecuado para congelar alimentos frescos y conservar a largo plazo los alimentos congelados y ultracongelados.

Para congelar alimentos frescos, active la función FastFreeze al menos 24 horas antes de introducir los alimentos en el compartimento congelador.

Guarde los alimentos frescos distribuidos uniformemente en el primer compartimento o cajón desde la parte superior.

La cantidad máxima de alimentos que pueden congelarse sin añadir otros alimentos frescos durante 24 horas, se indica en la placa de datos técnicos (una etiqueta situada en el interior del aparato).

Cuando haya finalizado el proceso de congelación, el aparato vuelve automáticamente al ajuste de temperatura anterior (consulte "Función FastFreeze").

5.2 Conservación de alimentos congelados

Al activar un aparato por primera vez o después de un periodo sin uso, déjelo en marcha al menos durante 3 horas con la función FastFreeze encendida antes de colocar productos en el compartimento.

Los cajones de congelados aseguran una búsqueda fácil y rápida del paquete de alimentos que se desea encontrar. Cuando tenga que conservar grandes cantidades de alimentos, quite todos los cajones excepto el último, que debe permanecer en su sitio para la correcta circulación del aire.

Todos los alimentos deben estar como mínimo a 15 mm de la puerta.



PRECAUCIÓN!

En caso de producirse una descongelación accidental, por ejemplo, por un corte del suministro eléctrico, y si la interrupción ha sido más prolongada que el valor indicado en el campo "tiempo de elevación" de la placa de características técnicas, será necesario consumir cuanto antes los alimentos descongelados o cocinarlos de inmediato, enfriarlos y después congelarlos de nuevo. Consulte la sección "Alarma de temperatura alta".

5.3 Descongelación

Los alimentos ultracongelados o congelados, antes de consumirlos, pueden descongelarse en el frigorífico o dentro de una bolsa de plástico bajo agua fría.

Esta operación depende del tiempo disponible y del tipo de alimento. Los

trozos pequeños pueden incluso cocinarse aún congelados.

6. CONSEJOS

6.1 Consejos para ahorrar energía

- La configuración interna del aparato es la que garantiza el uso más eficiente de la energía.
- No abra la puerta con frecuencia ni la deje abierta más tiempo del necesario.
- Cuanto más frío sea el ajuste de la temperatura, mayor será el consumo de energía.
- Asegure una buena ventilación. No cubra las rejillas de ventilación ni los agujeros.

6.2 Consejos sobre la congelación

- Active la función FastFreeze al menos 24 horas antes de colocar los alimentos en dentro del congelador.
- Antes de congelar, envuelva y selle los alimentos frescos en: papel de aluminio, film o bolsas de plástico, envases herméticos con tapa.
- Para congelar y descongelar con más eficacia, divida la comida en porciones pequeñas.
- Se recomienda poner etiquetas y fechas en todos sus alimentos congelados. Esto ayudará a identificar los alimentos y a saber cuándo deben utilizarse antes de su deterioro.
- Los alimentos deben ser frescos al congelarlos para preservar la buena calidad. Especialmente las frutas y verduras deben ser congeladas después de cosecharlos para preservar todos sus nutrientes.
- No congele las botellas o latas con líquidos, en particular las bebidas que contienen dióxido de carbono, ya que pueden explotar durante la congelación.
- No coloque alimentos calientes en el compartimiento del congelador. Enfríelos a temperatura ambiente antes de colocarlos dentro del compartimento.

- Para evitar aumentos en la temperatura de comida ya congelada, no coloque comida no congelada justo al lado. Coloque los alimentos a temperatura ambiente en la parte del compartimento del congelador donde no hay alimentos congelados.
- No coma cubitos de hielo, sorbetes o helados inmediatamente después de sacarlos del congelador. Existe riesgo de quemaduras.
- No vuelva a congelar los alimentos descongelados. Si la comida se ha descongelado, cocínala, enfríela y luego congélela.

6.3 Consejos para el almacenamiento de alimentos congelados

- El ajuste de temperatura medio asegura una buena conservación de los alimentos congelados. Una temperatura más alta en el interior del aparato puede reducir la vida útil.
- Todo el compartimento del congelador es adecuado para el almacenamiento de comida congelada.
- Deje suficiente espacio alrededor de los alimentos para permitir que el aire circule libremente.
- Para un almacenamiento adecuado, consulte la etiqueta de los envases de alimentos para ver la vida útil de los alimentos.
- Es importante envolver los alimentos de tal manera que se evite que el agua, la humedad o la condensación entren en su interior.

6.4 Consejos de compra

Después de la compra:

- Asegúrese de que el envase no esté dañado - los alimentos podrían estar deteriorados. Si el paquete está hinchado o mojado, es posible que no se haya almacenado en condiciones

- óptimas y que la descongelación ya haya comenzado.
- Para limitar el proceso de descongelación, compre los productos congelados al final de su compra en el supermercado y téngalos en una bolsa térmica y aislada.
- Ponga los alimentos congelados inmediatamente en el congelador después de volver de la tienda.
- Si la comida se ha descongelado aunque sea parcialmente, no la vuelva a congelar. Se debe consumir lo antes posible.
- Respete la fecha de caducidad y la información de almacenamiento del paquete.

6.5 Vida útil

Tipo de alimento	Vida útil (meses)
Pan	3
Frutas (excepto cítricos)	6 - 12
Verduras	8 - 10
Sobras sin carne	1 - 2
Lácteos:	
Mantequilla	6 - 9
Queso blando (p. ej. mozzarella)	3 - 4
Queso duro (p. ej. parmesano, cheddar)	6
Marisco:	
Pescado graso (p. ej. salmón, caballa)	2 - 3
Pescado magro (p. ej. bacalao, platija)	4 - 6
Camarones	12
Almejas y mejillones desconchados	3 - 4
Pescado cocinado	1 - 2
Carne:	
Aves	9 - 12
Carne de res	6 - 12
Cerdo	4 - 6
Cordero	6 - 9
Salchichas	1 - 2
Jamón	1 - 2
Sobras con carne	2 - 3

7. MANTENIMIENTO Y LIMPIEZA



ADVERTENCIA!

Consulte los capítulos sobre seguridad.

7.1 Limpieza del interior

Antes de utilizar el aparato por primera vez, lave su interior y todos los accesorios internos con agua templada y jabón neutro para eliminar el típico olor de los productos nuevos. A continuación, seque todo bien.

**PRECAUCIÓN!**

No utilice detergentes, polvos abrasivos ni limpiadores a base de cloro o aceite, ya que podrían dañar el acabado.

**PRECAUCIÓN!**

Los accesorios y las piezas del aparato no deben lavarse en el lavavajillas.

7.2 Limpieza periódica

El equipo debe limpiarse de forma regular:

1. Limpie el interior y los accesorios con agua templada y un jabón neutro.
2. Revise y limpie periódicamente las juntas de la puerta para mantenerlas limpias y sin restos.
3. Aclare y seque a fondo.

7.3 Descongelación del congelador

**PRECAUCIÓN!**

No utilice herramientas metálicas afiladas para raspar la escarcha del evaporador, ya que podría dañarlo.

No utilice dispositivos mecánicos ni medios artificiales para acelerar el proceso de descongelación, excepto los recomendados por el fabricante.



Unas 12 horas antes de realizar la descongelación, ajuste una temperatura más baja con el fin de acumular frío suficiente en caso de una interrupción del funcionamiento.

Siempre se forma un poco de escarcha en los estantes del congelador y en torno al compartimento superior.

Descongele el congelador cuando la capa de escarcha alcance un grosor de unos 3-5 mm.

1. Apague el aparato o desconecte el enchufe de la toma de corriente.
2. Retire cualquier alimento almacenado y póngalo en un lugar fresco.

**PRECAUCIÓN!**

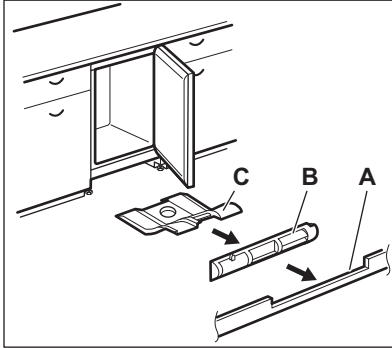
El aumento de la temperatura de los paquetes de alimentos congelados durante la descongelación puede acortar su tiempo de almacenamiento.

No toque los alimentos congelados con las manos mojadas. Podrían congelarse al contacto con los alimentos.

3. Deje la puerta abierta. Proteja el suelo del agua de la descongelación p. ej., con un paño o recipiente plano.
 4. Para acelerar el proceso de descongelación, coloque un recipiente con agua tibia en el compartimento congelador. Además, retire los trozos de hielo que se desprendan antes de que finalice la descongelación.
 5. Cuando la descongelación haya terminado, seque a fondo el interior del aparato.
 6. Encienda el aparato y cierre la puerta.
 7. Ajuste el regulador de temperatura para obtener el máximo frío y haga funcionar el aparato durante al menos 3 horas con dicho ajuste.
- Solo después de este tiempo vuelva a poner la comida en el congelador.

7.4 Limpieza de los canales de aire

1. Retire el zócalo (A) y, a continuación, la rejilla de ventilación (B).

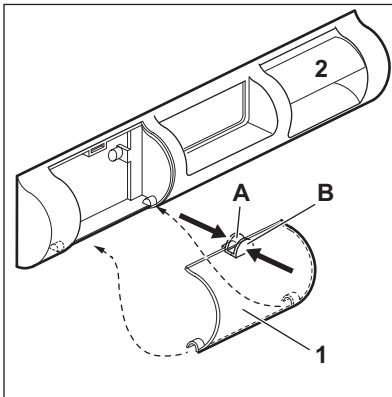


2. Limpie la rejilla de ventilación. (Consulte la sección "Limpieza del filtro de ventilación".)
3. Tire con cuidado del deflector de aire (C), comprobando que no queda agua de la descongelación.
4. Limpie la parte inferior del aparato con una aspiradora.

7.5 Limpieza del filtro de ventilación

El filtro se puede extraer para su lavado.

El aparato dispone de un filtro de entrada de aire (1) y un conducto de salida (2) en la rejilla de ventilación.



1. Presione las lengüetas (A) y (B) con los dedos.
2. Baje el filtro.
3. Extraiga el filtro.
4. Para sustituir el filtro, invierta el orden de los pasos.

7.6 Periodos sin funcionamiento

Si el aparato no se utiliza durante un tiempo prolongado, tome las siguientes precauciones

1. Desconecte el aparato de la red eléctrica.
2. Extraiga todos los alimentos.
3. Descongele el aparato.
4. Limpie el aparato y todos los accesorios.
5. Deje la puerta abierta para evitar olores desagradables.

8. SOLUCIÓN DE PROBLEMAS



ADVERTENCIA!

Consulte los capítulos sobre seguridad.

8.1 Qué hacer si...

Problema	Posible causa	Solución
El aparato no funciona.	El aparato se apaga.	Encienda el electrodoméstico.
	El aparato no está correctamente enchufado a la toma de corriente.	Enchufe el aparato correctamente a la toma de corriente.
	No hay tensión en la toma de corriente.	Enchufe un aparato eléctrico diferente a la toma de corriente. Llame a un electricista cualificado.
El aparato hace ruido.	El aparato no está bien apoyado en el suelo.	Compruebe que los soportes del aparato descansan sobre una superficie estable.
La alarma audible o visual está activada.	El armario se ha encendido hace poco.	Consulte "Alarma de puerta abierta" o "Alarma de temperatura alta".
	La temperatura del horno es demasiado alta.	Consulte "Alarma de puerta abierta" o "Alarma de temperatura alta".
El compresor funciona continuamente.	La temperatura está ajustada incorrectamente.	Consulte el capítulo "Panel de control".
	Se han guardado muchos alimentos al mismo tiempo.	Espere unas horas y vuelva a comprobar la temperatura.
	La temperatura ambiente es demasiado alta.	Consulte el capítulo "Instalación".
	Los alimentos introducidos en el aparato estaban demasiado calientes.	Deje que los alimentos se enfríen a temperatura ambiente antes de almacenarlos.
	La puerta no está bien cerrada.	Consulte la sección "Cierre de la puerta".
	La función FastFreeze está activada.	Consulte la sección "Función FastFreeze".
El compresor no se pone en marcha inmediatamente después de pulsar "FastFreeze", o tras cambiar la temperatura.	El compresor se pone en marcha después de un cierto tiempo.	Esto es normal y no significa que exista un error.
La puerta está mal alineada o interfiere con la rejilla de ventilación.	El aparato no está nivelado.	Consulte las instrucciones de instalación.

Problema	Posible causa	Solución
La puerta no se abre fácilmente.	Ha intentado volver a abrir la puerta inmediatamente después de cerrarla.	Espere unos segundos entre el cierre y la reapertura de la puerta.
Hay demasiada escarcha o hielo.	La puerta no está bien cerrada.	Consulte la sección "Cierre de la puerta".
	La junta de la puerta está sucia o deformada.	Consulte la sección "Cierre de la puerta".
	Los alimentos no están bien envueltos.	Envuelva mejor los productos.
	La temperatura está ajustada incorrectamente.	Consulte el capítulo "Panel de control".
	El aparato está completamente cargado y ajustado a la temperatura más baja.	Seleccione una temperatura más alta. Consulte el capítulo "Panel de control".
	La temperatura ajustada en el aparato es demasiado baja y la temperatura ambiente demasiado alta.	Seleccione una temperatura más alta. Consulte el capítulo "Panel de control".
Hay agua en el suelo.	La salida de agua de la descongelación no está conectada a la bandeja de evaporación situada sobre el compresor.	Fije la salida de agua de descongelación a la bandeja de evaporación.
No es posible ajustar la temperatura.	La "Función FastFreeze" está activada.	Apague manualmente la "Función FastFreeze", o espere hasta que la función se desactive automáticamente antes de ajustar la temperatura. Consulte "Función FastFreeze".
La temperatura del aparato es demasiado baja/alta.	La temperatura no se ha ajustado correctamente.	Seleccione una temperatura más alta o baja.
	La puerta no está bien cerrada.	Consulte la sección "Cierre de la puerta".
	La temperatura de los productos es demasiado alta.	Deje que la temperatura de los productos descienda a la temperatura ambiente antes de guardarlos.
	Se han guardado muchos alimentos al mismo tiempo.	Guarde menos productos al mismo tiempo.
	El grosor de la escarcha es de más de 4-5 mm.	Descongele el aparato.

Problema	Posible causa	Solución
	La puerta se ha abierto con frecuencia.	Si es necesario, cierre la puerta.
	La función FastFreeze está activada.	Consulte la sección "Función FastFreeze".
	No hay circulación de aire frío en el aparato.	Compruebe que el aire frío circula libremente en el aparato. Consulte el capítulo "Consejos".
El indicador de funcionamiento parpadea.	Se ha producido un error en la medición de la temperatura.	Llame a un electricista homologado o al centro de servicio técnico autorizado más cercano.



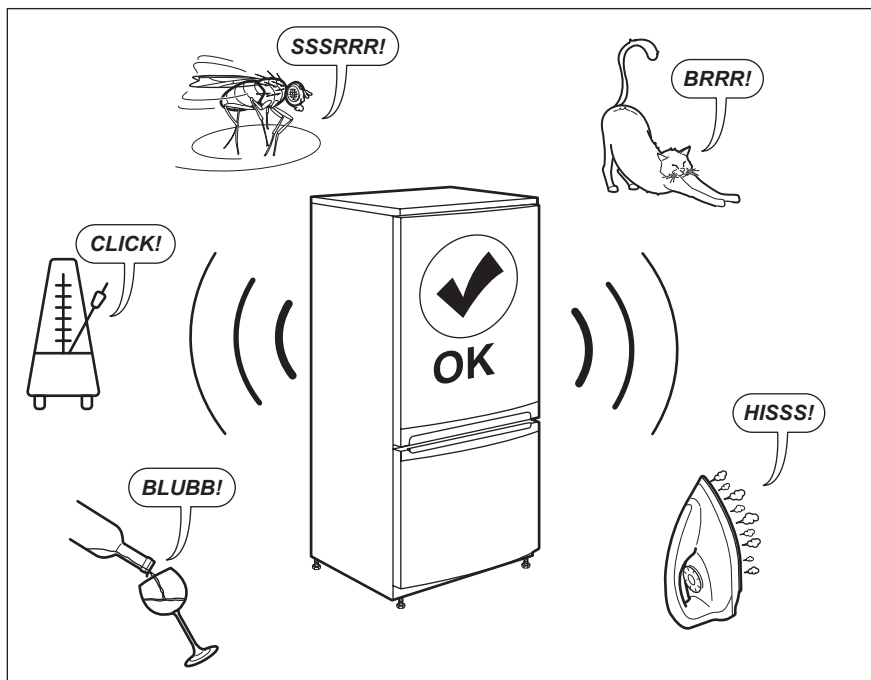
Si el consejo anterior no ofrece resultados, llame al servicio técnico autorizado más cercano.

2. Si es necesario, ajuste la puerta. Consulte las instrucciones de instalación.
3. Si es necesario, cambie las juntas defectuosas. Póngase en contacto con el servicio técnico autorizado.

8.2 Cierre de la puerta

1. Limpie las juntas de la puerta.

9. RUIDOS



10. DATOS TÉCNICOS

La información técnica se encuentra en la placa de datos técnicos en el lado interior izquierdo del aparato y en la etiqueta de energía.

El código QR de la etiqueta energética suministrada con el aparato proporciona un enlace web a la información relacionada con el rendimiento del aparato en la base de datos de EU EPREL. Guarde la etiqueta de energía como referencia junto con el manual de usuario y todos los demás documentos que se proporcionan con este aparato.

También puede encontrar la misma información en EPREL utilizando el enlace <https://eprel.ec.europa.eu> y el nombre del modelo y el número de producto que se encuentra en la placa de características del aparato.

Consulte el enlace www.theenergylabel.eu para información detallada sobre la etiqueta energética.


11. INFORMACIÓN PARA LOS INSTITUTOS DE PRUEBAS


La instalación y la preparación del aparato para cualquier verificación de EcoDiseño deberá cumplir con EN 62552. Los requisitos de ventilación, las dimensiones de los huecos y las

distancias mínimas traseras serán los indicados en el Capítulo 3 de este Manual de Usuario. Por favor, póngase en contacto con el fabricante para

cualquier otra información adicional, incluyendo los planos de carga.

12. ASPECTOS MEDIOAMBIENTALES

Recicle los materiales con el símbolo . Coloque el material de embalaje en los contenedores adecuados para su reciclaje. Ayude a proteger el medio ambiente y la salud pública, así como a reciclar residuos de aparatos eléctricos y

electrónicos. No deseche los aparatos marcados con el símbolo  junto con los residuos domésticos. Lleve el producto a su centro de reciclaje local o póngase en contacto con su oficina municipal.

İÇİNDEKİLER

1. GÜVENLİK BİLGİLERİ.....	36
2. GÜVENLİK TALİMATLARI.....	38
3. MONTAJ.....	40
4. KONTROL PANELİ.....	42
5. GÜNLÜK KULLANIM.....	43
6. İPUÇLARI VE YARARLI BİLGİLER.....	44
7. BAKIM VE TEMİZLİK.....	46
8. SORUN GİDERME.....	48
9. GÜRÜLTÜLER.....	51
10. TEKNİK VERİLER.....	51
11. TEST ENSTİTÜLERİ İÇİN BİLGİLER.....	51
12. TÜKETİCİNİN SEÇİMLİK HAKLARI.....	52

SİZİ DÜŞÜNÜYORUZ

Electrolux'u tercih ettiğiniz için teşekkürler. Size beraberinde onlarca yıllık profesyonel deneyim ve yenilik getiren bir ürün tercih ettiniz. Sizi düşünerek tasarlanan yaratıcı ve şık ürününüz hizmetinizdedir. Bu ürünü her kullandığınızda, daima en iyi sonuçları alacağınızdan emin olabilirsiniz.

Electrolux'e hoş geldiniz.

Aşağıdakiler için web sitemizi ziyaret edin:



Kullanım önerileri, broşürler, sorun giderme bilgileri, servis ve onarım bilgileri:
www.electrolux.com/support



Kullanım ömrü boyunca daha iyi verim almak için ürününüzün kaydını yapın:
www.registerelectrolux.com



Cihazınız için Aksesuarlar, Sarf Malzemeleri ve Orijinal yedek parçalar satın alın:
www.electrolux.com/shop

MÜŞTERİ HİZMETLERİ VE SERVİS

Daima orijinal yedek parçalar kullanın.

Yetkili Servis Merkezimizle iletişim sırasında, aşağıdaki verilerin elinizin altında olduğundan emin olun: Model, PNC, Seri Numarası.

Bilgiler, bilgi etiketinde yazılıdır.

⚠ Uyarı / Dikkat-Güvenlik bilgileri

ℹ Genel bilgiler ve tavsiyeler

🌿 Çevre ile ilgili bilgiler

Önceden haber verilmeksizin değişiklik yapma hakkı saklıdır.

1. ⚠ GÜVENLİK BİLGİLERİ

Cihazın montaj ve kullanımından önce, verilen talimatları dikkatlice okuyun. Üretici, yanlış kurulum veya kullanımdan kaynaklanan yaralanma ya da hasarlardan

sorumlu değildir. Talimatları, ileride kullanabilmeniz için her zaman güvenli ve kolay ulaşılabilir bir yerde tutun.

1.1 Çocukların ve tehlikeye açık kişilerin güvenliği

- Bu cihaz, güvenli şekilde kullanımı ve oluşabilecek tehlikeler hakkında talimat, gözetim veya bilgi verilmesi halinde 8 yaş ve üzeri çocuklar ve fiziksel, duyuumsal veya zihinsel kapasitesi düşük veya bilgi ve deneyimi olmayan kişiler tarafından kullanılabilir.
- 3 ile 8 yaş arasındaki çocukların cihazı yükleme ve boşaltma işlemlerini yapmalarına yalnızca ilgili talimatlar hakkında bilgi sahibi olduklarında izin verilir.
- İleri düzey zihinsel ve fiziksel engellere sahip kişiler, cihazın kullanımıyla ilgili talimatları öğrenmeleri halinde bu cihazı kullanabilir.
- 3 yaşından küçük çocuklar, sürekli olarak gözlemlenmedikçe cihazdan uzak tutulmalıdır.
- Bu cihaz, çocukların oynayabileceği bir oyuncak değildir.
- Cihazın temizlik ve bakım işlemi, denetim altında olmadıkları sürece çocuklar tarafından yapılmamalıdır.
- Tüm ambalajları çocuklardan uzak tutun ve uygun şekilde bertaraf edin.

1.2 Genel Güvenlik

- Bu cihaz, aşağıdaki gibi ev ve benzeri alanlarda kullanılmak üzere tasarlanmıştır:
 - Çiftlik evleri; mağaza, ofis ve diğer çalışma ortamlarındaki çalışanlar için yapılmış mutfak bölümleri;
 - Otel, motel, pansiyon ve diğer konaklama tarzı yerlerdeki müşteriler tarafından kullanılmak üzere tasarlanmıştır.
- Yiyecek kirlenmesini önlemek için aşağıdaki talimatlara harfiyen uyun:
 - kapıyı uzun süre açık bırakmayın;
 - gıda ve erişilebilir kanalizasyon sistemleri ile temas edebilecek yüzeyleri düzenli olarak temizleyin;

- UYARI: Cihazın kabinindeki veya ankastre yapıdaki havalandırma menfezlerinin tıkanmasını önleyin.
- UYARI: Buz çözme sürecini hızlandırmak için üretici tarafından önerilenin dışında mekanik cihazlar veya başka yöntemler kullanmayın.
- UYARI: Soğutucu devresine zarar vermeyin.
- UYARI: Üretici tarafından önerilen tipte olmadıkları sürece, cihazın yiyecek saklama bölmelerinin içinde elektrikli cihazlar kullanmayın.
- Cihazı temizlemek için su spreyi veya buhar kullanmayın.
- Cihazı yumuşak nemli bir bezle temizleyin. Sadece nötr deterjanlar kullanın. Aşındırıcı ürünler, aşındırıcı ovma bezleri, çözücüler veya metal cisimler kullanmayın.
- Cihaz uzun süre boş kaldığında, cihazı kapatın, buzunu çözün, temizleyin, kurulaşın ve cihaz içinde küflenmeyi önlemek için kapısını açık bırakın.
- Yanıcı itici gazlı aerosol teneke kutular gibi patlayıcı maddeleri bu cihazda saklamayın.
- Elektrik kablosunun zarar görmesi durumunda, bir kazanın meydana gelmesine engel olmak için, kablunun değişimi, üretici, Yetkili Servis veya benzer nitelikteki kalifiye bir kişi tarafından yapılmalıdır.

2. GÜVENLİK TALİMATLARI

2.1 Montaj



UYARI!

Cihazın montajı yalnızca kalifiye bir kişi tarafından yapılmalıdır.

- Tüm ambalajları çıkarın.
- Hasarlı bir cihazı monte etmeyin ya da kullanmayın.
- Güvenlik açısından cihazı yerleşik yapıya kurmadan kullanmayın.
- Cihazla birlikte verilen montaj talimatlarını takip edin.
- Cihazı hareket ettirdiğinizde dikkatli olun, cihaz ağırdır. Her zaman koruyucu eldiven ve koruyuculu ayakkabı kullanın.
- Cihazın çevresinde havanın dolaşabileceğinden emin olun.
- İlk kurulum sonrası veya kapı açılma yönü değiştirildikten sonra cihazı güç kaynağına bağlamadan önce en az 4 saat bekleyin. Bunun amacı yağın kompresöre geri akmasını sağlamaktır.
- Cihaz üzerinde herhangi bir müdahale yapmadan önce (örn; kapı açılma yönünün değiştirilmesi) cihazın fişini prizden çekin.
- Cihazı radyatörler, fırınlar, ankastre fırın ya da ocakların yakınına monte etmeyin.
- Cihazı yağmura maruz bırakmayın.

- Doğrudan güneş ışığı alan yerlere cihazı monte etmeyin.
- Bu cihazı çok nemli veya çok soğuk olan yerlere kurmayın.
- Cihazı hareket ettirirken, zeminin çizilmemesi için cihazın ön kenarından kaldırın.

2.2 Elektrik bağlantısı



UYARI!

Yangın ve elektrik çarpması riski.



UYARI!

Cihazı konumlandırırken, elektrik kablosunun sıkışmadığından veya zarar görmediğinden emin olun.



UYARI!

Priz çoğaltıcılarını ve uzatma kablolarını kullanmayın.

- Cihaz topraklanmalıdır.
- Anma değeri plakasındaki parametrelerinin ana güç kaynağının elektrik gücüne uygun olduğundan emin olun.
- Daima düzgün takılmış, elektrik çarpmasına karşı korumalı bir priz kullanınız.
- Elektriksel aksamlara (ör. fiş, elektrik kablosu, kompresör) zarar vermemeye özen gösterin. Elektrik aksamlarını değiştirmek için Yetkili Servise ya da bir elektrikçiye başvurun.
- Elektrik kablosu fiş seviyesinin altında kalmalıdır.
- Fişi prize sadece montaj tamamlandıktan sonra takın. Kurulmdan sonra elektrik fişine erişilebildiğinden emin olun.
- Cihazın fişini prizden çıkarmak için elektrik kablosunu çekmeyin. Her zaman fişten tutarak çekin.

2.3 Kullanım



UYARI!

Yaralanma, yanık, elektrik çarpması ya da yangın riski.



Cihaz yüksek çevresel uyumluluğa sahip bir doğal gaz olan yanıcı izobütan (R600a) içerir. İzobütan içeren soğutucu devresine zarar vermemeye dikkat edin.

- Cihazın teknik özelliklerini kesinlikle değiştirmeyin.
- Üretici tarafından önerilmediği sürece cihaz içine elektrikli cihazları (ör. dondurma makineleri) koymayın.
- Soğutucu devrede hasar oluşursa, odada alevlerin ve ateşleme kaynaklarının olmadığından emin olun. Odayı iyice havalandırın.
- Sıcak maddelerin cihazın plastik parçalarına temas etmesine izin vermeyin.
- İçecekleri dondurucu bölmesine koymayın. Bu durum içecek kutusunda basınç oluşturacaktır.
- Yanıcı gaz ve sıvıları cihazda saklamayın.
- Cihazın içine, üzerine veya yakınına yanıcı ürünler ya da yanıcı ürünlerle ıslanmış maddeler koymayın.
- Kompresöre ya da yoğunlaştırucuya dokunmayın. Bunlar sıcaktır.
- Ellerinizi ıslak ya da nemli ise dondurucu bölmesinden yiyecekleri çıkarmayın ya da bunlara dokunmayın.
- Çözülmüş olan yiyeceği yeniden dondurmayın.
- Dondurulmuş yiyeceğin paketi üstündeki saklama talimatlarına başvurun.
- Yiyecekleri dondurucu bölmesine koymadan önce herhangi bir gıdayla temas etmemesi için sarın.

2.4 İç aydınlatma



UYARI!

Elektrik çarpması riski.

- Bu ürünün içindeki lamba(lar) ve ayrı satılan yedek parça lambalar ile ilgili olarak: Bu lambaların sıcaklık, titreşim, nem gibi ev aletlerindeki aşırı fiziksel koşullara dayanması ya da cihazın çalışma durumu hakkında bilgi vermesi amaçlanmıştır. Diğer uygulamalarda kullanılmak üzere tasarlanmamışlardır ve ev odası aydınlatması için uygun değildir.

2.5 Bakım ve temizlik



UYARI!

Yaralanma veya cihazın zarar görme riski söz konusudur.

- Bakım işleminden önce, cihazı devre dışı bırakın ve elektrik fişini prizden çekin.
- Bu cihaz, soğutma ünitesinde hidrokarbonlar içerir. Ünitenin bakım ve şarj işlemleri sadece kalifiye bir personel tarafından yapılmalıdır.
- Cihazın tahliyesini düzenli olarak kontrol edin ve gerekirse temizleyin. Tahliye kısmı tıkalı ise, bunu çözülmüş su cihazın alt kısmında toplanır.

2.6 Servis

- Cihazı onarmak için yetkili bir Servis Merkezine başvurun. Sadece orijinal yedek parçalar kullanın.
- Tamirati siz yaparsanız veya profesyonel olmayan birinden yardım alırsanız garanti geçersiz olabilir, ayrıca işlem tehlikeli de olabilir.
- Model serisinin sonlanması sonrasında, aşağıdaki parçalar 7 yıl süreyle daha tedarik edilmeye devam eder: termostat, sıcaklık sensörü, basılı devre kartları, ışık kaynakları, kapı tutacakları, kapı menteşeleri, tablalar ve sepetler. Bu parçaların profesyonel tamircilerde mevcut olabileceğini ve parçaların bazılarının sadece belli modellerde kullanılabileceğini unutmayın.
- Model serisinin sonlanması sonrasında, kapı contaları 10 yıl süreyle daha tedarik edilmeye devam eder.

2.7 Elden çıkarma



UYARI!

Yaralanma ya da boğulma riski.

- Cihazın fişini prizden çekin.
- Elektrik kablosunu kesin ve atın.
- Çocukların ve hayvanların cihazda kapalı kalmasını önlemek için kapıyı çıkarın.
- Bu cihazın soğutucu devresi ve yalıtım maddeleri ozon dostudur.
- Yalıtım köpüğü yanıcı gaz içerir. Cihazı nasıl doğru şekilde elden çıkaracağınıza ilişkin bilgi için belediyenize başvurun.
- Isı eşanjörünün yanındaki soğutma ünitesi kısmına zarar vermemeye dikkat edin.

Üretici / İhracatçı :

ELECTROLUX APPLIANCES AB
BUSINESS SECTOR EMA-EMEA (SEE)
ST GÖRANSGATAN 143
SE-105 45 STOCKHOLM
SWEDEN
TEL: +46 (8) 738 60 00
FAX: +46 (8) 738 63 35
www.electrolux.com

İthalatçı: Electrolux Dayanıklı Tüketim Mamulleri San. ve Tic. AŞ.

TR-34435 Taksim-Beyoğlu-İstanbul
Müşteri Hizmetleri: 0 850 250 35 89
musteri_hizmetleri@electrolux.com
WEB: www.electrolux.com.tr

Kullanım Ömrü Bilgisi :

Kullanım ömrü küçük ev aletlerinde 7 yıl, diğer beyaz eşya ürünlerinde ise 10 yıldır. Kullanım ömrü, üretici ve/veya ithalatçı firmanın cihazınızla ilgili yedek parça temini ve bakım süresini ifade eder.

3. MONTAJ



UYARI!

Güvenlik bölümlerine bakın.

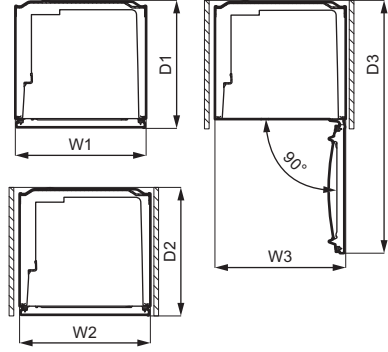
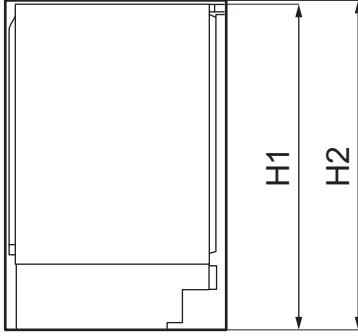


UYARI!
Cihazınızın kurulumunu yapmak için kurulum talimatları belgesine bakın.



UYARI!
Cihazı düzgün bir şekilde sabitlemek için kurulum talimatı belgesine uygun hareket edin.

3.1 Boyutlar



Genel boyutlar ¹		
H1	mm	819
W1	mm	560
D1	mm	547

¹ kol ve ayaklar olmadan cihazın yüksekliği, genişliği ve derinliği

Kullanımda gerekli alan ²		
H2	mm	820
W2	mm	560
D2	mm	550

² kol dahil cihazın yüksekliği, genişliği ve derinliği ile birlikte soğutma havasının serbest dolaşımı için gerekli alan

Kullanımda gerekli genel alan ³		
H2	mm	820
W3	mm	560
D3	mm	1083

³ kol dahil cihazın yüksekliği, genişliği ve derinliği, ayrıca soğutma havasının serbest dolaşımı için gerekli alan ve ayrıca tüm dahili ekipmanın çıkarılmasına izin verecek şekilde kapının açılmasını mümkün kılmak amacıyla gerekli alan

3.2 Yerleştirme

Cihazın en iyi şekilde çalışmasını sağlamak için, cihazı ısı kaynağının (fırın, sobalar, radyatörler veya ocaklar) yakınına veya doğrudan güneş ışığı alan bir yere bunu kurmamalısınız. Havanın, kabinin arka tarafında rahatça devir-daim yapabildiğinden emin olun.

3.3 Konumlandırma

Bu cihaz kuru ve iyi havalandırılan bir iç mekan konumuna kurulmalıdır.

Bu cihazın 10°C ila 43°C arasındaki ortam sıcaklıklarında kullanılması amaçlanmıştır.



Cihazın doğru çalışması, yalnızca belirtilen sıcaklık aralığında garanti edilebilir.



Cihazı nereye monte etmeniz gerektiği hakkında şüpheleriniz varsa lütfen satıcıya, müşteri hizmetlerimize veya en yakındaki Yetkili Servise başvurun.



Cihazın fişini elektrik prizinden çekebilmek mümkün olmalıdır. Dolayısıyla cihaz kurulumundan sonra fiş kolay erişilebilir olmalıdır.

3.4 Elektrik bağlantısı

- Cihazın fişini prize takmadan önce, bilgi etiketinde yazılı voltaj ve frekans değerlerinin evinizin elektrik beslemesinin sahip olduğu değerlerle aynı olduğundan emin olun.
- Cihaz topraklanmalıdır. Elektrik kablosunun fişi bu amaca yönelik olarak bir kontak ile donatılmıştır. Eğer evin elektrik prizi topraklı değilse, kalifiye bir elektrikçiye danışarak yürürlükteki kanunlara

uygun olarak cihazı ayrı bir toprak hattına bağlayın.

- Üretici firma, yukarıda belirtilen güvenlik önlemlerine uyulamaması halinde hiçbir sorumluluk kabul etmez.
- Bu cihaz, E.E.C. Direktifleri ile uyumludur.

3.5 Havalandırma gereksinimleri



DİKKAT!

Gereken havalandırmanın sağlanabilmesi için cihazın kurulum talimatına göre kurulması gerekir.

3.6 Kapak açılma yönünün değiştirilmesi

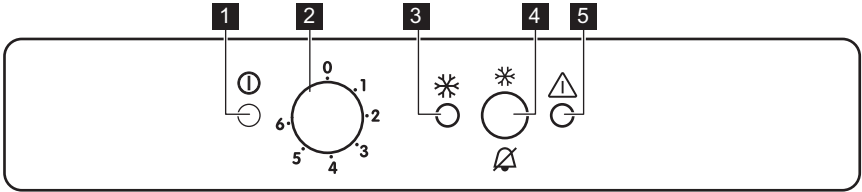
Montaj ve kapıyı tersine çevirme talimatlarına sahip ayrı belgeye göz atın.



DİKKAT!

Kapıyı ters çevirme işleminin her adımında, dayanıklı bir malzeme ile zemini çizilmeye karşı koruyun.

4. KONTROL PANELİ



1 Güç göstergesi ışığı

2 Sıcaklık ayar düğmesi ve Açma/ Kapama düğmesi

3 FastFreeze ışığı

4 FastFreeze düğmesi ve alarm sıfırlama düğmesi

5 Alarm ışığı

4.1 Cihazın açılması

- Elektrik fişini prize takın.
- Isı ayar düğmesini saat yönünde döndürerek bir orta ayara getirin.

Cihazın iç sıcaklığı çok yüksekse, Alarm ışığı yanıp sönecek ve bir sesli alarm devreye girecektir.

- FastFreeze düğmesine bastığınızda sesli alarm susacaktır. Alarm ışığı, iç sıcaklık dondurulmuş yiyeceğin güvenli saklanması için gerekli düzeye erişene dek yanıp sönmeyi sürdürür.

4.2 Cihazın kapatılması

1. Sıcaklık ayar düğmesini "O" konumuna getirin.
Güç göstergesi ışığı sönecektir.
2. Fişi prizden çekin.

4.3 Sıcaklığın ayarlanması

Sıcaklık otomatik olarak ayarlanır. Ancak; cihazın içindeki sıcaklığı kendiniz ayarlayabilirsiniz.

Cihaz içindeki sıcaklığın aşağıdaki hususlara bağlı olduğu dikkate alınarak seçilmelidir:

- oda sıcaklığı,
- kapı açma sıklığı,
- cihaza konan yiyecek miktarı,
- cihaz konumu.

Orta seviyede bir ayar genellikle en uygun olanıdır.

Cihazı çalıştırmak için:

1. Cihazın içinde daha fazla soğukluk elde etmek için termostat düğmesini saat yönünde çevirin.
2. Cihazın içinde daha az soğukluk elde etmek için termostat düğmesini saatin tersi yönünde çevirin.

4.4 FastFreeze fonksiyonu

FastFreeze, dondurucu bölmesinde sırasıyla ön dondurma ve hızlı dondurma işlemlerini yapmak için kullanılır. Bu fonksiyon, taze gıdaların dondurulmasını hızlandırır ve aynı zamanda daha önceden konulmuş olan yiyecekleri istenmeyen bir ısınmaya karşı korur.



Taze yiyecekleri dondurmak için, ön dondurmaya tamamlamak için yiyecekleri yerleştirmeden önce FastFreeze fonksiyonunu en az 24 saat çalıştırın.

Fonksiyonu açmak için:

1. FastFreeze fonksiyonunu çalıştırmak için 2-3 saniye kadar FastFreeze düğmesine basın. FastFreeze ışığı yanar.
2. Yiyecekleri dondurucu bölümüne koyun ve FastFreeze fonksiyonunu 24 saat daha açık tutun. "Taze yiyeceklerin dondurulması" bölümüne göz atın.



Bu fonksiyon 52 saat sonra otomatik olarak durur. FastFreeze düğmesine 2-3 saniye boyunca basarak suretiyle fonksiyonu istediğiniz zaman devre dışı bırakabilirsiniz.

4.5 Yüksek sıcaklık alarmı

Dondurucu bölümünde bir sıcaklık artışı olduğunda (örn. elektrik kesintisinden ötürü) Alarm ışığı yanıp söner ve ses duyulur.

Ses, Alarm sıfırlama düğmesine basılarak istendiğinde kapatılabilir.

Normal koşullara geri döndüğünde, Alarm ışığının yanıp sönmeyeceği durur ve çıkan ses otomatik olarak kapanır.

5. GÜNLÜK KULLANIM

5.1 Taze yiyeceklerin dondurulması

Dondurucu bölümü, taze yiyeceklerin dondurulması ve dondurulmuş ve derin dondurulmuş yiyeceklerin uzun süreli muhafazası ve için uygundur.

Taze yiyecekleri dondurmak için, dondurulacak olan yiyecekleri dondurucu bölümüne yerleştirmeden önce FastFreeze fonksiyonunu en az 24 saat boyunca çalıştırın.

Taze yiyecekleri üst kısımdan itibaren ilk bölmeye veya çekmeceye eşit olarak dağıtılmış olarak saklayın.

24 saatte ilave yiyecek eklemeyen dondurulabilecek maksimum yiyecek miktarı, cihazın içinde bulunan bilgi etiketinde (cihazın içinde bulunan bir etiket) yazılıdır.

Dondurma işlemi tamamlandığında, cihaz otomatik olarak önceki sıcaklık ayarına geri döner (bkz. "FastFreeze Fonksiyonu").

5.2 Dondurulmuş yiyeceklerin muhafazası

Cihazı ilk kez çalıştırdığınızda veya belirli bir süre kullanım dışı bıraktıktan sonra, yiyecekleri bölmeye yerleştirmeden önce, cihazı en az 3 saat boyunca FastFreeze fonksiyonu açık olarak çalışmaya bırakın.

Dondurucu çekmeceleri istediğiniz yiyecek paketini bulmanızı hızlandırır ve kolaylaştırır. Çok miktarda yiyecek saklanacak ise, iyi bir hava dolaşımı sağlamak için alt çekmece haricindeki tüm çekmeceleri çıkarın.

Yemekleri kapıya en fazla 15 mm mesafede tutun.



DİKKAT!

Kazara buz çözme işlemi uygulanması halinde, örneğin bir elektrik kesintisinden ötürü; eğer elektrik kesintisi, bilgi etiketindeki "başlatma süresi" başlığı kısmında belirtilen süreden daha uzun sürerse, buzlu çözülen yiyecek hemen tüketilmeli veya derhal pişirilmeli, soğutulmalı ve sonra yeniden dondurulmalıdır. "Yüksek sıcaklık alarmı" bölümüne bakın.

5.3 Buz çözme

Tüketilmeden önce, derin dondurulmuş veya dondurulmuş yiyecekler buzdolabında veya plastik bir torba içinde soğuk su altında çözdürülebilir.

Bu işlem, sunulan zamana ve yiyecek türüne bağlı olarak değişir. Küçük parçalar bile hala donmuş halde pişirilebilir.

6. İPUÇLARI VE YARARLI BİLGİLER

6.1 Enerji tasarrufuyla ilgili ipuçları

- Cihazın dahili yapılandırması enerji kullanımında en üstün verimliliği sağlayacak şekildedir.
- Kapıyı sık sık açmayın veya gerektiğinden daha uzun süre açık bırakmayın.
- Sıcaklık ayarı ne kadar düşükse, enerji tüketimi de o kadar yüksek olur.
- İyi bir havalandırma sağlayın. Havalandırma ızgaralarını veya deliklerini örtmeyin.

6.2 Dondurma tavsiyeleri

- Yiyecekleri dondurucu bölmesine yerleştirmeden en az 24 saat önce FastFreeze fonksiyonunu etkinleştirin.
- Dondurmadan önce taze yiyecekleri şunlarla sarın ve kapatın: alüminyum folyo, plastik film veya torba, kapaklı hava geçirmez kaplar.
- Daha etkili dondurmak ve eritmek için yiyeceği küçük paylara ayırın.
- Dondurulmuş yiyeceklerin üzerine etiket ve tarih koymanız önerilir. Bu işlem, yiyecekleri tanımlamaya ve bozulmadan önce son kullanım zamanını bilmeye yardımcı olur.
- İyi kaliteyi korumak için dondurulmuş yiyecekler taze olmalıdır. Özellikle meyve ve sebzeler, tüm besleyici

- niteliklerini korumak amacıyla hasattan sonra dondurulmalıdır.
- Şişeleri veya teneke kutuları sıvılarla, özellikle de karbondioksit içeren içecekler ile dondurmayın - donma sırasında patlayabilirler.
- Dondurucu bölmesine sıcak yiyecekler koymayın. Bölme içerisine yerleştirmeden önce oda sıcaklığına getirin.
- Zaten donmuş olan yiyeceklerin sıcaklık artışının önüne geçmek için, yanına donmamış taze yiyecek yerleştirmeyin. Oda sıcaklığındaki yiyecekleri, dondurulmuş yiyeceklerin bulunmadığı dondurucu bölümüne kısmına yerleştirin.
- Buz küplerini, su buzlarını veya buzlu dondurmaları dondurucudan çıkardıktan hemen sonra tüketmeyin. Korozyon riski vardır.
- Buzu çözülmüş yiyecekleri tekrar dondurmayın. Yiyeceklerin buzu çözüldüyse, pişirin, soğutun ve ardından dondurun.

6.3 Donmuş gıda ürünlerinin muhafazasıyla ilgili tavsiyeler

- Orta sıcaklık ayarı, dondurulmuş yiyeceklerin iyi şekilde korunmasını sağlar. Cihaz içindeki daha yüksek sıcaklık ayarı daha kısa raf ömrüne sebebiyet verebilir.
- Tüm dondurucu bölümüne dondurulmuş yiyeceklerin saklanması için uygundur.

- Havanın serbestçe dolaşmasını sağlamak için yiyeceklerin çevresinde yeterli boşluk bırakın.
- Yeterli saklama için, yiyeceklerin raf ömrünü görmek amacıyla gıda ambalaj etiketine bakın.
- Yiyecekleri su, nem veya yoğuşmanın içeri girmesini önleyecek şekilde sarmak önem arz eder.

6.4 Alışveriş ipuçları

Market alışverişinin ardından:

- Ambalajın hasar görmediğinden emin olun - aksi durumda yiyecekler bozulabilir. Ambalaj kabarmış veya ıslak ise, ideal koşullarda saklanmamış olabilir ve buz çözme işlemi zaten başlamış olabilir.
- Buz çözme işlemi sınırlandırmak için, market alışverişinizin sonunda donmuş ürünleri satın alın ve bunları termal yalıtımlı serin bir çanta içinde taşıyın.
- Dükkandan geldikten sonra dondurulmuş yiyecekleri hemen dondurucuya koyun.
- Yiyeceklerin buzu kısmen çözülmüşse, tekrar dondurmayın. Mümkün olan en kısa zamanda tüketin.
- Ambalaj üzerindeki son kullanım tarihine ve saklama bilgilerine uyun.

6.5 Dondurucu bölümüne için raf ömrü

Yiyecek tipi	Raf ömrü (ay)
Ekmek	3
Meyveler (turuncuğiller hariç)	6 - 12
Sebzeler	8 - 10
Et hariç artan yiyecekler	1 - 2
Süt ürünleri:	
Tereyağı	6 - 9
Yumuşak peynir (örn. mozzarella)	3 - 4
Sert peynir (örn. parmesan, kaşar)	6

Yiyecek tipi	Raf ömrü (ay)
Deniz ürünleri:	
Yağlı balık (örn. somon, uskumru)	2 - 3
Yağsız balık (örn. morina, dil balığı)	4 - 6
Karides	12
Soyulmuş istiridye ve midye	3 - 4
Pişmiş balık	1 - 2
Et:	
Kümes Hayvanı	9 - 12
Siğir Eti	6 - 12
Domuz Eti	4 - 6
Kuzu Eti	6 - 9
Sosis	1 - 2
Jambon	1 - 2
Artan etli yemekler	2 - 3

7. BAKIM VE TEMİZLİK



UYARI!

Güvenlik bölümlerine bakın.

7.1 İç kısmın temizliği

Cihazı ilk kez kullanmadan önce, yeni bir ürünün sahip olduğu tipik kokuyu gidermek için iç kısmın ve tüm iç aksesuarların ılık su ve bir miktar nötr sabun kullanılarak yıkanması ve ardından iyice kurulanması gerekir.



DİKKAT!

Bitişe zarar vereceklerinden dolayı deterjan, aşındırıcı tozlar, klor veya yağ bazlı temizlik maddeleri kullanmayın.



DİKKAT!

Cihazın aksesuarları ve parçaları, bulaşık makinesinde yıkamak için uygun değildir.

7.2 Periyodik temizlik

Cihaz düzenli olarak temizlenmelidir:

1. Cihazın iç kısmını ve aksesuarlarını ılık su ve biraz beyaz sabun kullanarak temizleyin.

2. Temiz ve kirden arınmış kalmalarını sağlamak için kapı contalarını düzenli olarak kontrol edip silerek temizleyin.
3. İyice durulayıp, kurulayın.

7.3 Dondurucunun buzunun çözülmesi



DİKKAT!

Evaporatördeki buz oluşumlarını kesinlikle sivri uçlu metal nesnelere kazımayın, aksi halde evaporatöre zarar verebilirsiniz. Eritme sürecini hızlandırmak için üretici tarafından önerilenin dışında mekanik bir alet veya başka bir suni yöntem kullanmayın.



Buz çözme işlemi esnasında herhangi bir kesinti olması halinde yiyeceklerin yeterince soğuk kalabilmesi için 12 saat öncesinden daha soğuk bir kademe ayarlayın.

Dondurucu raflarında ve üst bölmenin etrafında her zaman belirli bir miktarda buz (karlanma) olur.

Buzun kalınlığı yaklaşık 3-5 mm'ye ulaştığında dondurucunun buzunu çözünüz.

1. Cihazı kapatın veya fişini prizden çekin.
2. Saklı yiyecekleri çıkarın ve serin bir yere koyun.



DİKKAT!

Buz çözme sırasında dondurulmuş yiyecek paketlerinin sıcaklığının artması, bunların güvenli muhafaza ömrünü kısaltabilir.

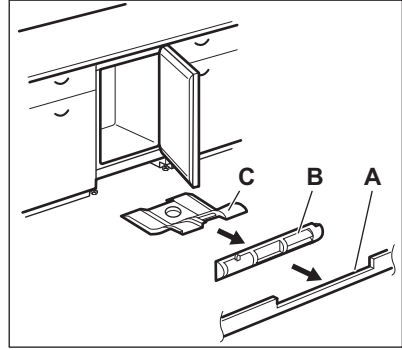
Donmuş yiyeceklere ıslak ellerle dokunmayın. Ellerinizi, donmuş yiyeceklere yapışabilir.

3. Cihazın kapısını açık bırakın. Bez veya düz bir kap kullanarak zemini buz çözülmez suya karşı koruyun.
4. Buz çözme sürecini hızlandırmak için, dondurucu bölümüne içinde sıcak su olan bir kap koyun. Ayrıca, buz çözme işlemi tamamlanmadan önce kırılan buz parçalarını çıkarın.
5. Buz çözme işlemi tamamlandığında, iç kısmı iyice temizleyin.
6. Cihazı çalıştırın ve kapıyı kapatın.
7. Sıcaklık ayar düğmesini maksimum soğukluk elde edecek şekilde ayarlayın ve cihazı bu ayarda en az 3 saat çalıştırın.

Ancak bu işlem tamamlandıktan sonra yiyecekleri tekrar dondurucu bölümüne yerleştirin.

7.4 Hava kanallarının temizlenmesi

1. Süpürgeliği (A) ve ardından havalandırma ızgarasını (B) çıkarın.

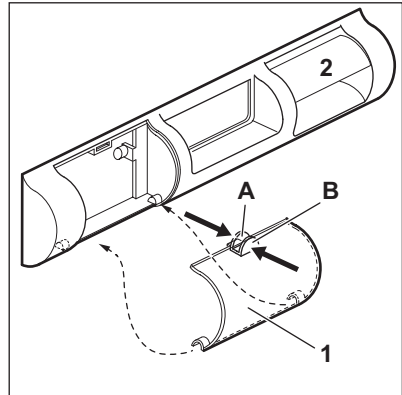


2. Havalandırma ızgarasını temizleyin. ("Havalandırma filtresinin temizlenmesi" bölümüne bakın.)
3. Buz çözme işleminin ardından su kalmadığını kontrol ederek hava deflektörünü (C) dışarı doğru dikkatle çekin.
4. Cihazın alt kısmını bir elektrikli süpürge ile temizleyin.

7.5 Havalandırma filtresinin temizlenmesi

Filtre temizlenebilmesi için çıkarılabilir.

Cihaz, havalandırma ızgarasında bir hava giriş filtresi (1) ve bir hava çıkış kanalı (2) ile donatılmıştır.



1. (A) ve (B) kanatçıkları parmaklarınız ile kıştırın.
2. Filtreyi aşağıya doğru çekin.
3. Filtreyi dışarıya doğru çekin.
4. Filtreyi takmak için işlemi tersten uygulayın.

7.6 Cihazın kullanılmadığı zamanlar

Cihaz uzunca bir süre kullanılmayacaksa, aşağıdaki önlemleri alın:

1. Cihazın elektrik beslemesini kesin.

2. İçindeki tüm yiyecekleri çıkarın.
3. Cihazın buzunu çözün.
4. Cihazı ve tüm aksesuarlarını temizleyin.
5. Kötü kokuların oluşmasını önlemek için kapıyı hafif aralık bırakın.

8. SORUN GIDERME



UYARI!

Güvenlik bölümlerine bakın.

8.1 Bu durumlarda ne yapmalı...

Sorun	Olası neden	Çözüm
Cihaz hiç çalışmıyor.	Cihaz kapalıdır.	Cihazı açın.
	Cihazın fişi prize doğru bir şekilde takılı değildir.	Fişi prize doğru şekilde takın.
	Prizde elektrik yoktur.	Prize başka bir elektrikli cihaz takarak kontrol edin. Kalifiye bir elektrikçi çağırın.
Cihaz gürültülü çalışıyor.	Cihaz düzgün şekilde desteklenmemiştir.	Cihazın sabit durup durmadığını kontrol edin.
Sesli veya görsel alarm açık.	Cihaz yeni çalıştırılmıştır.	"Kapı Açık Alarmı" veya "Yüksek Sıcaklık Alarmı" kısmına bakın.
	Cihazın içindeki sıcaklık çok yüksektir.	"Kapı Açık Alarmı" veya "Yüksek Sıcaklık Alarmı" kısmına bakın.
Kompresör devamlı çalışıyor.	Sıcaklık yanlış ayarlanmıştır.	"Kontrol Paneli" bölümüne bakın.
	Cihaza aynı anda birçok yiyecek konulmuştur.	Birkaç saat bekleyin ve sıcaklığı tekrar kontrol edin.
	Oda sıcaklığı çok yüksektir.	"Montaj" bölümüne bakın.
	Yiyecekler cihaza sıcakken yerleştirilmiştir.	Dondurucuya koymadan önce gıda ürünlerinin oda sıcaklığına gelmesini bekleyiniz.
	Kapak doğru kapatılmamıştır.	"Kapının kapatılması" bölümüne bakın.

Sorun	Olası neden	Çözüm
	FastFreeze fonksiyonu açıktır.	"FastFreeze fonksiyonu" bölümüne bakın.
"FastFreeze" ögesine basıldıktan sonra veya sıcaklık değiştirildikten sonra kompresör hemen çalışmaya başlamıyor.	Kompresör belirli bir süre sonra çalışmaya başlar.	Bu normal bir durumdur ve bir sorun olduğu anlamına gelmez.
Kapak yanlış hizalanmıştır veya havalandırma ızgarasını engelliyordur.	Cihaz dengede değildir.	Montaj talimatlarına başvurun.
Kapı rahatça açılmıyor.	Kapı kapatılır kapatılmaz hemen tekrar açılmaya çalışılmıştır.	Kapıyı kapattıktan sonra tekrar açmadan önce birkaç saniye bekleyin.
Aşırı karlanma vardır.	Kapak doğru kapatılmamıştır.	"Kapının kapatılması" bölümüne bakın.
	Conta deforme olmuş ya da kirlidir.	"Kapının kapatılması" bölümüne bakın.
	Yiyecekler doğru şekilde paketlenmemiştir.	Yiyecekleri daha iyi paketlenin.
	Sıcaklık yanlış ayarlanmıştır.	"Kontrol Paneli" bölümüne bakın.
	Cihaz tamamen dolu ve en düşük sıcaklığa ayarlı.	Daha yüksek bir sıcaklık ayarlayın. "Kontrol Paneli" bölümüne bakın.
	Cihazdaki sıcaklık ayarı çok düşük ve ortam sıcaklığı çok yüksek.	Daha yüksek bir sıcaklık ayarlayın. "Kontrol Paneli" bölümüne bakın.
Yere su akıyor.	Eriyen su tahliye çıkışı, kompresörün üstündeki buharlaşma kabına bağlı değildir.	Eriyen su çıkışını buharlaşma tablasına takın.
Sıcaklık ayarlanamıyor.	"FastFreeze fonksiyonu" açıktır.	"FastFreeze fonksiyonunu" elle kapatın ya da sıcaklığı ayarlamak için fonksiyonun otomatik olarak devre dışı kalmasını bekleyin. "FastFreeze fonksiyonu" bölümüne bakın.
Cihazın içindeki sıcaklık çok düşük/yüksek.	Sıcaklık doğru ayarlanmamıştır.	Daha yüksek/düşük bir sıcaklık ayarlayın.
	Kapak doğru kapatılmamıştır.	"Kapının kapatılması" bölümüne bakın.

Sorun	Olası neden	Çözüm
	Gıda ürünlerinin sıcaklığı çok yüksektir.	Gıda ürünlerini koymadan önce sıcaklıklarının oda sıcaklığına düşmesini bekleyin.
	Cihaza aynı anda birçok gıda ürünü konulmuştur.	Aynı anda daha az gıda ürünü koyun.
	Buz kalınlığı 4-5 mm'den fazla.	Cihazın buzunu çözün.
	Kapak çok sık açılıyordu.	Kapıyı sadece gerektiğinde açın.
	FastFreeze fonksiyonu açıktır.	"FastFreeze fonksiyonu" bölümüne bakın.
	Cihazda soğuk hava devridaimi yoktur.	Cihazda soğuk hava devridaimi olduğundan emin olun. "İpuçları ve Bilgiler" bölümüne bakın.
Güç göstergesi ışığı yanıp söner.	Sıcaklık ölçümü sırasında bir hata meydana gelmiştir.	Kalifiye bir elektrikçi veya size en yakın Yetkili Servis Merkezi ile irtibata geçin.



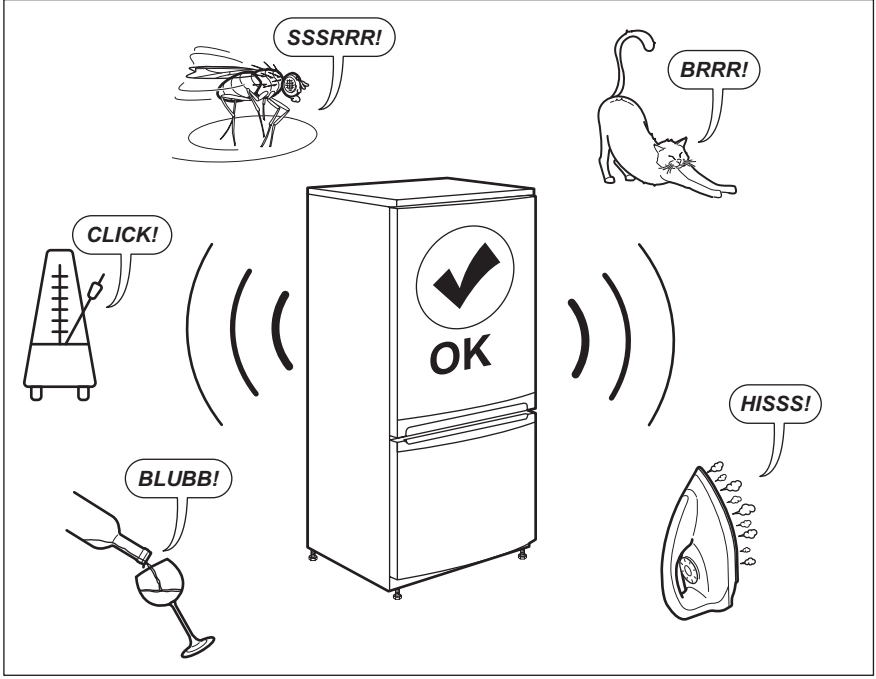
Bu tavsiye ile istenen sonucu alamazsanız, en yakındaki Yetkili Servis Merkezini arayın.

2. Gerekirse kapıyı ayarlayın. Montaj talimatlarına başvurun.
3. Gerekirse arızalı kapı contalarını değiştirin. Yetkili Servis Merkezini arayın.

8.2 Kapının kapatılması

1. Kapı contalarını temizleyin.

9. GÜRÜLTÜLER



10. TEKNİK VERİLER

Teknik bilgiler, cihazın iç tarafındaki bilgi etiketinde ve enerji etiketinde belirtilmektedir.

Cihazla sağlanan enerji etiketindeki QR kodu, EU EPREL veritabanındaki cihazın performansıyla ilgili bilgiler için bir web bağlantısı sağlar. Enerji etiketini, kullanım kılavuzu ve bu cihazla birlikte verilen diğer tüm belgelerle birlikte referans olması açısından saklayın.

Benzer bilgileri, <https://eprel.ec.europa.eu> linkini ve cihazın bilgi etiketinde verilen model adını ve ürün numarasını kullanarak EPREL'de bulmak da mümkündür.

Enerji etiketi hakkındaki ayrıntılı bilgiye ulaşabileceğiniz link:
www.theenergylabel.eu.

11. TEST ENSTİTÜLERİ İÇİN BİLGİLER


Herhangi bir EcoDesign doğrulaması için cihazın montajı ve hazırlanması EN 62552 ile uyumlu olmalıdır. Havalandırma gereksinimleri, girinti boyutları ve minimum arka boşluklar, bu


Kullanım Kılavuzundaki Bölüm 3'te belirtilen şekilde olmalıdır. Yükleme planları da dahil olmak üzere daha fazla bilgi için üreticiyle temasa geçiniz.

12. TÜKETİCİNİN SEÇİMLİK HAKLARI

1. Malın ayıplı olduğunun anlaşılması durumunda tüketici;
 - a. Satılanı geri vermeye hazır olduğunu bildirerek sözleşmeden dönme,
 - b. Satılanı alıkoyup ayıp oranında satış bedelinden indirim isteme,
 - c. Aşırı bir masraf gerektirmediği takdirde, bütün masrafları satıcıya ait olmak üzere satılanın ücretsiz onarılmasını isteme,
 - d. İmkân varsa, satılanın ayıpsız bir misli ile değiştirilmesini isteme, seçimlik haklarından birini kullanabilir. Satıcı, tüketicinin tercih ettiği bu talebi yerine getirmekle yükümlüdür.
 2. Ücretsiz onarım veya malın ayıpsız misli ile değiştirilmesi hakları üretici veya ithalatçıya karşı da kullanılabilir. Bu fıkradaki hakların yerine getirilmesi konusunda satıcı, üretici ve ithalatçı müteselsilen sorumludur. Üretici veya ithalatçı, malın kendisi tarafından piyasaya sürülmesinden sonra ayıbın doğduğunu ispat ettiği takdirde sorumlu tutulmaz.
 3. Ücretsiz onarım veya malın ayıpsız misli ile değiştirilmesinin satıcı için orantısız güçlükleri beraberinde getirecek olması hâlinde tüketici, sözleşmeden dönme veya ayıp oranında bedelden indirim haklarından birini kullanabilir. Orantısızlığın tayininde malın ayıpsız değeri, ayıbın önemi ve diğer seçimlik haklara başvurunun tüketici açısından sorun teşkil edip etmeyeceği gibi hususlar dikkate alınır.
 4. Ücretsiz onarım veya malın ayıpsız misli ile değiştirilmesi haklarından birinin seçilmesi durumunda bu talebin satıcıya, üreticiye veya ithalatçıya yöneltilmesinden itibaren azami otuz iş günü, konut ve tatil amaçlı taşınmazlarda ise altmış iş günü içinde yerine getirilmesi zorunludur. Ancak, bu Kanununun 58 inci maddesi uyarınca çıkarılan yönetmelik eki listede yer alan mallara ilişkin, tüketicinin ücretsiz onarım talebi, yönetmelikte belirlenen azami tamir süresi içinde yerine getirilir. Aksi hâlde tüketici diğer seçimlik haklarını kullanmakta serbesttir.
 5. Tüketicinin sözleşmeden dönme veya ayıp oranında bedelden indirim hakkını seçtiği durumlarda, ödemiş olduğu bedelin tümü veya bedelden yapılan indirim tutarı derhâl tüketiciye iade edilir.
 6. Seçimlik hakların kullanılması nedeniyle ortaya çıkan tüm masraflar, tüketicinin seçtiği hakkı yerine getiren tarafça karşılanır. Tüketici bu seçimlik haklarından biri ile birlikte 11/1/2011 tarihli ve 6098 sayılı Türk Borçlar Kanunu hükümleri uyarınca tazminat da talep edebilir.
- Tüketici, garantiden doğan haklarının kullanılması ile ilgili olarak çıkabilecek uyuşmazlıklarda yerleşim yerinin bulunduğu veya tüketici işleminin yapıldığı yerdeki Tüketici Hakem Heyetine veya Tüketici Mahkemesine başvurabilir.**

13. ÇEVREYLE İLGİLİ BİLGİLER

Şu sembole sahip malzemeler geri dönüştürülebilir . Ambalajı geri dönüşüm için uygun konteynerlere koyun. Elektrikli ve elektronik cihaz atıklarının geri dönüşümüne ve çevre ve insan sağlığının korunmasına yardımcı

olun. Ev atığı sembolü  bulunan cihazları atmayın. Ürünü yerel geri dönüşüm tesislerinize gönderin ya da belediye ile irtibata geçin.

AEEE Yönetmeliğine Uygundur.

www.electrolux.com/shop



211627271-A-252020

