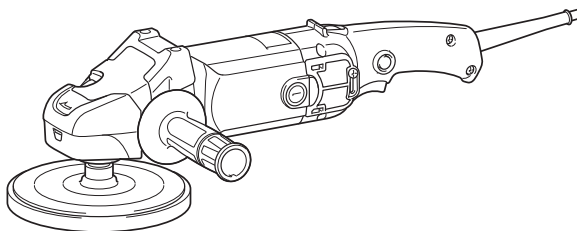
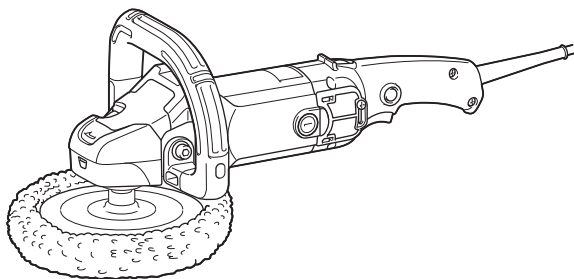
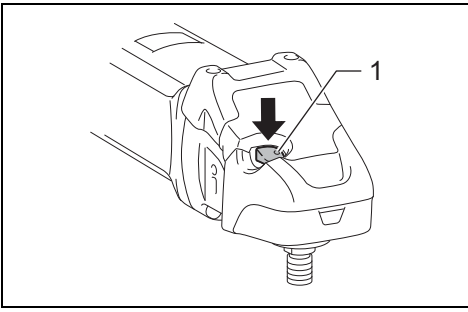




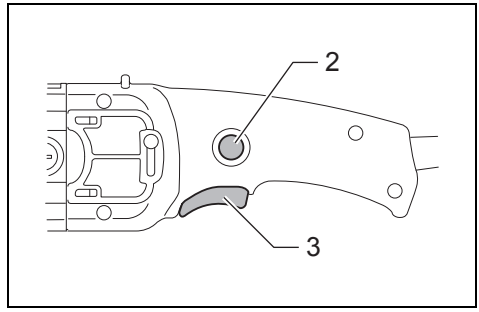
GB	Polisher	Instruction Manual
F	Polisseuse	Manuel d'instructions
D	Poliermaschine	Betriebsanleitung
I	Lucidatrice	Istruzioni per l'uso
NL	Polijstmachine	Gebruiksaanwijzing
E	Pulidora	Manual de instrucciones
P	Politriz	Manual de instruções
DK	Poleremaskine	Brugsanvisning
GR	Στιλβωτής	Οδηγίες χρήσεως
TR	Polisaj Makinesi	Kullanma kılavuzu

9237CB

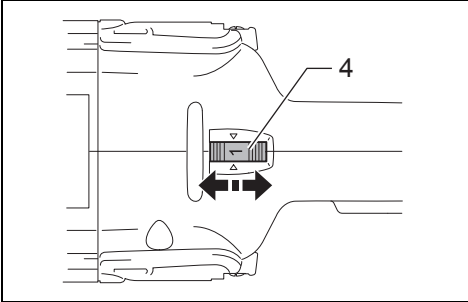




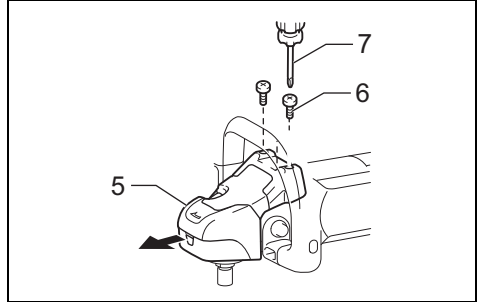
014930



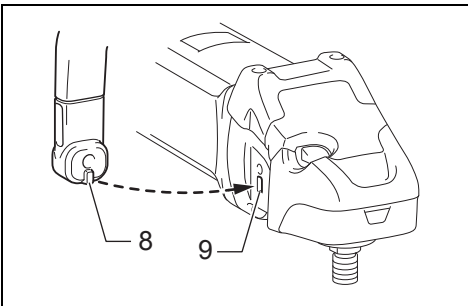
014931



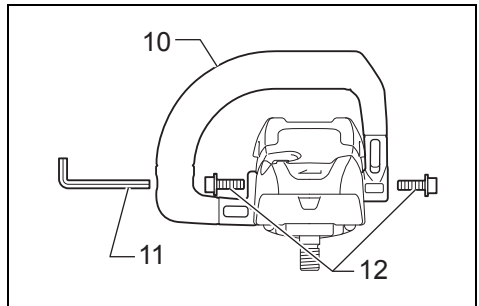
014932



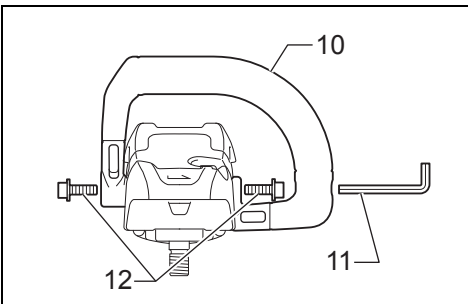
014942



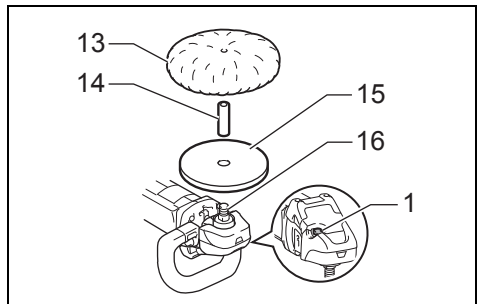
014933



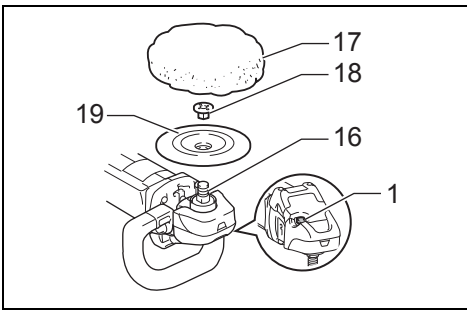
014934



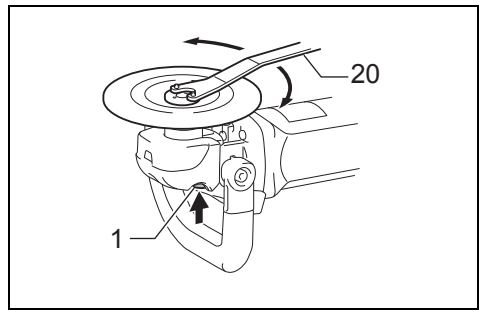
014935



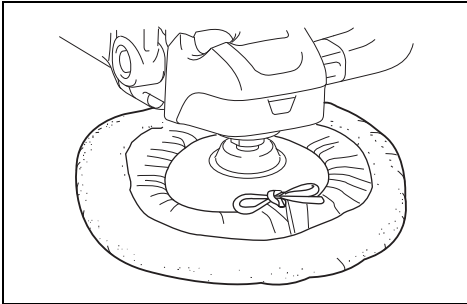
014936



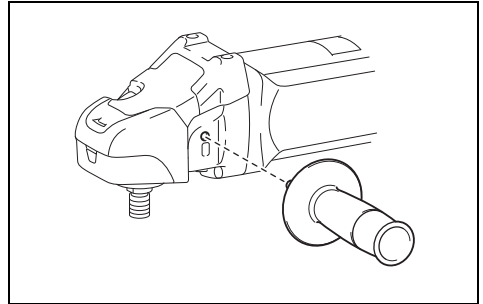
9 014939



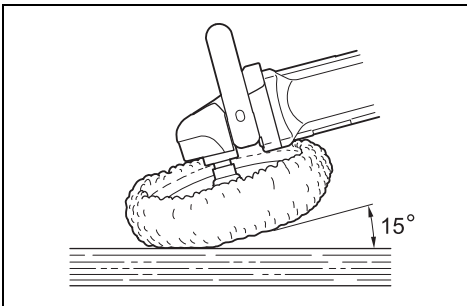
10 014940



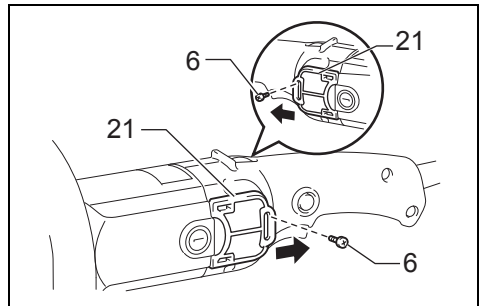
11 014941



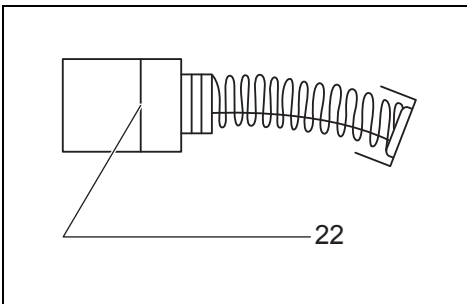
12 014943



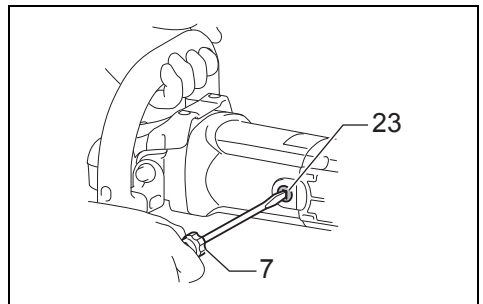
13 014937



14 014944



15 001145



16 014938

Explanation of general view

1 Shaft lock	9 Matching hole in gear housing	17 Wool bonnet
2 Lock button	10 Loop handle	18 Lock nut
3 Switch trigger	11 Hex wrench	19 Rubber pad
4 Speed adjusting dial	12 Bolt	20 Lock nut wrench
5 Head cover	13 Wool pad	21 Dust cover
6 Screw	14 Sleeve 18	22 Limit mark
7 Screwdriver	15 Backing pad	23 Brush holder cap
8 Protrusion of loop handle	16 Spindle	

SPECIFICATIONS

Model		9237CB
Max. capacities	Wool pad	180 mm
	Wool bonnet	180 mm
Spindle thread		M14 or 5/8" (country specific)
Rated speed (n)/ No load speed (n ₀)		3,200 min ⁻¹
Overall length		431 mm
Net weight		3.3 - 3.5 kg
Safety class		□/II

- Due to our continuing program of research and development, the specifications herein are subject to change without notice.
- Specifications may differ from country to country.
- The weight may differ depending on the attachment(s). The lightest and heaviest combination, according to EPTA-Procedure 01/2014, are shown in the table.

ENE087-1

Intended use

The tool is intended for polishing.

ENF002-2

Power supply

The tool should be connected only to a power supply of the same voltage as indicated on the nameplate, and can only be operated on single-phase AC supply. They are double-insulated and can, therefore, also be used from sockets without earth wire.

GEA010-1

General Power Tool Safety Warnings

⚠ WARNING Read all safety warnings and all instructions. Failure to follow the warnings and instructions may result in electric shock, fire and/or serious injury.

Save all warnings and instructions for future reference.

GEB038-3

POLISHER SAFETY WARNINGS

Safety Warnings Common for Polishing Operation:

1. This power tool is intended to function as a polisher. Read all safety warnings, instructions, illustrations and specifications provided with this power tool. Failure to follow all instructions listed below may result in electric shock, fire and/or serious injury.

2. **Operations such as grinding, sanding, wire brushing or cutting-off are not recommended to be performed with this power tool.** Operations for which the power tool was not designed may create a hazard and cause personal injury.
3. **Do not use accessories which are not specifically designed and recommended by the tool manufacturer.** Just because the accessory can be attached to your power tool, it does not assure safe operation.
4. **The rated speed of the accessory must be at least equal to the maximum speed marked on the power tool.** Accessories running faster than their rated speed can break and fly apart.
5. **The outside diameter and the thickness of your accessory must be within the capacity rating of your power tool.** Incorrectly sized accessories cannot be adequately guarded or controlled.
6. **Threaded mounting of accessories must match the tool spindle thread. For accessories mounted by flanges, the arbour hole of the accessory must fit the locating diameter of the flange.** Accessories that do not match the mounting hardware of the power tool will run out of balance, vibrate excessively and may cause loss of control.
7. **Do not use a damaged accessory. Before each use inspect the accessory such as backing pad for cracks, tear or excess wear. If power tool or accessory is dropped, inspect for damage or install an undamaged accessory. After inspecting and installing an accessory, position yourself and bystanders away from the plane of the rotating accessory and run the power tool at maximum no-load speed for one minute.** Damaged accessories will normally break apart during this test time.

8. **Wear personal protective equipment.** Depending on application, use face shield, safety goggles or safety glasses. As appropriate, wear dust mask, hearing protectors, gloves and workshop apron capable of stopping small abrasive or workpiece fragments. The eye protection must be capable of stopping flying debris generated by various operations. The dust mask or respirator must be capable of filtering particles generated by your operation. Prolonged exposure to high intensity noise may cause hearing loss.
9. **Keep bystanders a safe distance away from work area.** Anyone entering the work area must wear personal protective equipment. Fragments of workpiece or of a broken accessory may fly away and cause injury beyond immediate area of operation.
10. **Position the cord clear of the spinning accessory.** If you lose control, the cord may be cut or snagged and your hand or arm may be pulled into the spinning accessory.
11. **Never lay the power tool down until the accessory has come to a complete stop.** The spinning accessory may grab the surface and pull the power tool out of your control.
12. **Do not run the power tool while carrying it at your side.** Accidental contact with the spinning accessory could snag your clothing, pulling the accessory into your body.
13. **Regularly clean the power tool's air vents.** The motor's fan will draw the dust inside the housing and excessive accumulation of powdered metal may cause electrical hazards.
14. **Do not operate the power tool near flammable materials.** Sparks could ignite these materials.
15. **Do not use accessories that require liquid coolants.** Using water or other liquid coolants may result in electrocution or shock.

Kickback and Related Warnings

Kickback is a sudden reaction to a pinched or snagged rotating wheel, backing pad, brush or any other accessory. Pinching or snagging causes rapid stalling of the rotating accessory which in turn causes the uncontrolled power tool to be forced in the direction opposite of the accessory's rotation at the point of the binding.

Kickback is the result of power tool misuse and/or incorrect operating procedures or conditions and can be avoided by taking proper precautions as given below.

- a) **Maintain a firm grip on the power tool and position your body and arm to allow you to resist kickback forces. Always use auxiliary handle, if provided, for maximum control over kickback or torque reaction during start-up.** The operator can control torque reactions or kickback forces, if proper precautions are taken.
- b) **Never place your hand near the rotating accessory.** Accessory may kickback over your hand.
- c) **Do not position your body in the area where power tool will move if kickback occurs.** Kickback will propel the tool in direction opposite to the wheel's movement at the point of snagging.

- d) **Use special care when working corners, sharp edges etc. Avoid bouncing and snagging the accessory.** Corners, sharp edges or bouncing have a tendency to snag the rotating accessory and cause loss of control or kickback.
- e) **Do not attach a saw chain woodcarving blade or toothed saw blade.** Such blades create frequent kickback and loss of control.

Safety Warnings Specific for Polishing Operations:

- a) **Do not allow any loose portion of the polishing bonnet or its attachment strings to spin freely. Tuck away or trim any loose attachment strings.** Loose and spinning attachment strings can entangle your fingers or snag on the workpiece.

Additional Safety Warnings:

16. **Do not leave the tool running. Operate the tool only when hand-held.**
17. **Check that the workpiece is properly supported.**
18. **If working place is extremely hot and humid, or badly polluted by conductive dust, use a short-circuit breaker (30 mA) to assure operator safety.**
19. **Do not use the tool on any materials containing asbestos.**

SAVE THESE INSTRUCTIONS.

WARNING:

DO NOT let comfort or familiarity with product (gained from repeated use) replace strict adherence to safety rules for the subject product. MISUSE or failure to follow the safety rules stated in this instruction manual may cause serious personal injury.

FUNCTIONAL DESCRIPTION

CAUTION:

- Always be sure that the tool is switched off and unplugged before adjusting or checking function on the tool.

Shaft lock (Fig. 1)

CAUTION:

- Never actuate the shaft lock when the spindle is moving. The tool may be damaged.

Press the shaft lock to prevent spindle rotation when installing or removing accessories.

Switch action (Fig. 2)

CAUTION:

- Before plugging in the tool, always check to see that the switch trigger actuates properly and returns to the "OFF" position when released.
- Switch can be locked in "ON" position for ease of operator comfort during extended use. Apply caution when locking tool in "ON" position and maintain firm grasp on tool.

To start the tool, simply pull the switch trigger. Tool speed is increased by increasing pressure on the switch trigger. Release the switch trigger to stop.

For continuous operation, pull the switch trigger and then push in the lock button.

To stop the tool from the locked position, pull the switch trigger fully, then release it.

Speed adjusting dial (Fig. 3)

The tool speed can be changed by turning the speed adjusting dial to a given number setting from 1 to 6. (At the time when the switch trigger is fully pulled.)

Higher speed is obtained when the dial is turned in the direction of number 6. And lower speed is obtained when it is turned in the direction of number 1.

Refer to the table for the relationship between the number settings on the dial and the approximate tool speed.

Number	min ⁻¹ (RPM)
1	600
2	900
3	1,500
4	2,100
5	2,700
6	3,200

014945

CAUTION:

- If the tool is operated continuously at low speeds for a long time, the motor will get overloaded, resulting in tool malfunction.
- The speed adjusting dial can be turned only as far as 6 and back to 1. Do not force it past 6 or 1, or the speed adjusting function may no longer work.

ASSEMBLY

CAUTION:

- Always be sure that the tool is switched off and unplugged before carrying out any work on the tool.
- Always install the loop handle or the side grip.

Removing or installing head cover (Fig. 4)

To remove the head cover, perform the following steps:

1. Remove the screw on the head cover with screwdriver.
2. Remove the head cover as shown in the figure.

To install the head cover, perform the above steps in reverse.

Installing loop handle (optional accessory)

CAUTION:

- Always be sure that the loop handle is installed securely before operation.

Always install the loop handle on the tool before operation. Hold the tool's switch handle and the loop handle firmly with both hands during operation.

Install the loop handle so that its protrusion will fit into the matching hole in the gear housing. (Fig. 5)

Install the bolts and tighten them with the hex wrench. The loop handle can be installed in two different directions as shown in the figures whichever is convenient for your work. (Fig. 6 & 7)

For tools which are equipped with a backing pad.

Installing or removing the wool pad (optional accessory) (Fig. 8)

To install the wool pad, first remove all dirt or foreign matter from the backing pad. Press the shaft lock and screw the backing pad onto the spindle. Insert the sleeve 18 into the center hole of the backing pad.

Using the sleeve 18 as a positioning guide, install the wool pad on the backing pad with the sleeve 18 inserted through the center hole of the wool pad. Then remove the sleeve 18 from the backing pad.

To remove the wool pad, just tear it off the backing pad. Then unscrew the backing pad while pressing the shaft lock.

For tools which are equipped with a rubber pad.

Installing or removing the wool bonnet (optional accessory)

Mount the rubber pad onto the spindle. Screw the lock nut onto the spindle. (Fig. 9)

To tighten the lock nut, press the shaft lock firmly so that the spindle cannot revolve, then use the lock nut wrench and securely tighten clockwise.

To remove the rubber pad, follow the installation procedure in reverse. (Fig. 10)

Fit the wool bonnet over the rubber pad. Tie a bow knot and tuck the knot and any loose strings between the wool bonnet and the rubber pad. (Fig. 11)

Installing side grip (handle) (optional accessory) (Fig. 12)

CAUTION:

- Always be sure that the side grip is installed securely before operation.

Screw the side grip securely on the position of the tool as shown in the figure.

OPERATION

Polishing operation (Fig. 13)

CAUTION:

- Always wear safety glasses or a face shield during operation.

Hold the tool firmly. Turn the tool on and then apply the wool pad/bonnet to the workpiece.

In general, keep the wool pad/bonnet at an angle of about 15 degrees to the workpiece surface.

Apply slight pressure only. Excessive pressure will result in poor performance and premature wear to wool pad/bonnet.

MAINTENANCE

CAUTION:

- Always be sure that the tool is switched off and unplugged before attempting to perform inspection or maintenance.
- Never use gasoline, benzene, thinner, alcohol or the like. Discoloration, deformation or cracks may result.

Cleaning the dust cover (Fig. 14)

Clean the dust cover when necessary as following steps:

1. Remove the screw on the dust cover.
2. Remove the dust cover.
3. Wipe the dust cover to remove dirt.
4. Align the hook of the dust cover with groove on the handle.
5. Tighten the dust cover with the screw.

If the dust cover is broken or becomes extremely dirty, replace it.

Replacing carbon brushes (Fig. 15 & 16)

Remove and check the carbon brushes regularly. Replace when they wear down to the limit mark. Keep the carbon brushes clean and free to slip in the holders. Both carbon brushes should be replaced at the same time. Use only identical carbon brushes.

Use a screwdriver to remove the brush holder caps. Take out the worn carbon brushes, insert the new ones and secure the brush holder caps.

To maintain product SAFETY and RELIABILITY, repairs, any other maintenance or adjustment should be performed by Makita Authorized Service Centers, always using Makita replacement parts.

OPTIONAL ACCESSORIES

CAUTION:

- These accessories or attachments are recommended for use with your Makita tool specified in this manual. The use of any other accessories or attachments might present a risk of injury to persons. Only use accessory or attachment for its stated purpose.

If you need any assistance for more details regarding these accessories, ask your local Makita Service Center.

- Lock nut 48
- Lock nut wrench 28
- Sponge pad (Hook & loop)
- Wool pad 180 (Hook & loop)
- Backing pad 165 (Hook & loop)
- Sleeve 18
- Side grip (auxiliary handle)
- Loop handle
- Head cover

NOTE:

- Some items in the list may be included in the tool package as standard accessories. They may differ from country to country.

ENG905-1

Noise

The typical A-weighted noise level determined according to EN60745:

- Sound pressure level (L_{pA}): 83 dB (A)
- Sound power level (L_{WA}): 94 dB (A)
- Uncertainty (K): 3 dB (A)

Wear ear protection

ENG900-1

Vibration

The vibration total value (tri-axial vector sum) determined according to EN60745:

- Work mode: polishing
- Vibration emission ($a_{h, P}$): 2.5 m/s² or less
- Uncertainty (K): 1.5 m/s²

- The declared vibration emission value has been measured in accordance with the standard test method and may be used for comparing one tool with another.
- The declared vibration emission value may also be used in a preliminary assessment of exposure.
- The declared vibration emission value is used for main applications of the power tool. However if the power tool is used for other applications, the vibration emission value may be different.

WARNING:

- The vibration emission during actual use of the power tool can differ from the declared emission value depending on the ways in which the tool is used.
- Be sure to identify safety measures to protect the operator that are based on an estimation of exposure in the actual conditions of use (taking account of all parts of the operating cycle such as the times when the tool is switched off and when it is running idle in addition to the trigger time).

EC DECLARATION OF CONFORMITY

For European countries only

The EC declaration of conformity is included as Annex A to this instruction manual.

Descriptif

1 Verrou d'axe	9 Orifice correspondant du carter d'engrenages	16 Broche
2 Bouton de blocage	10 Poignée-arceau	17 Bonnet en peau de mouton
3 Gâchette	11 Clé hexagonale	18 Contre-écrou
4 Cadran de réglage de la vitesse	12 Boulon	19 Disque en caoutchouc
5 Capot de la tête de polissage	13 Disque en peau de mouton	20 Clé à contre-écrou
6 Vis	14 Manchon 18	21 Capot anti-poussière
7 Tournevis	15 Plateau de support	22 Repère d'usure
8 Saillie de la poignée		23 Bouchon du porte-charbon

SPÉCIFICATIONS

Modèle		9237CB
Capacités maximum	Disque en peau de mouton	180 mm
	Bonnet en peau de mouton	180 mm
Filetage de l'arbre		M14 ou 5/8" (selon le pays)
Vitesse nominale (n)/ Vitesse à vide (n ₀)		3 200 min ⁻¹
Longueur totale		431 mm
Poids net		3,3 - 3,5 kg
Catégorie de sécurité		☐ // II

GEB038-3

- Étant donné l'évolution constante de notre programme de recherche et de développement, les spécifications contenues dans ce manuel sont sujettes à modification sans préavis.
- Les spécifications peuvent varier suivant les pays.
- Le poids peut être différent selon les accessoires. Les associations la plus légère et la plus lourde, conformément à la procédure EPTA 01/2014, sont indiquées dans le tableau.

ENE087-1

Utilisations

L'outil est conçu pour le polissage.

ENF002-2

Alimentation

L'outil ne devra être raccordé qu'à une alimentation de la même tension que celle qui figure sur la plaque signalétique, et il ne pourra fonctionner que sur un courant secteur monophasé. Réalisé avec une double isolation, il peut de ce fait être alimenté sans mise à la terre.

GEA010-1

Consignes de sécurité générales pour outils électriques

⚠ AVERTISSEMENT Veuillez lire toutes les mises en garde et toutes les instructions. Il y a risque de choc électrique, d'incendie et/ou de blessure grave si les mises en garde et les instructions ne sont pas respectées.

Conservez toutes les mises en garde et instructions pour référence ultérieure.

CONSIGNES DE SÉCURITÉ POUR POLISSEUSE

Consignes de sécurité communes aux travaux de polissage :

1. **Cet outil électrique est conçu pour l'utilisation en tant que polisseuse. Veuillez lire les consignes de sécurité, instructions, illustrations et spécifications qui accompagnent cet outil électrique.** Il y a risque de choc électrique, d'incendie et/ou de blessure grave si les instructions ci-dessous ne sont pas toutes respectées.
2. **Il n'est pas recommandé d'utiliser cet outil électrique pour effectuer des travaux tels que le meulage, le ponçage, le brossage métallique et le tronçonnage.** Il y a risque de danger et de blessure si l'outil électrique est utilisé pour exécuter des travaux pour lesquels il n'a pas été conçu.
3. **N'utilisez pas d'accessoires non spécifiquement conçus et recommandés par le fabricant de l'outil.** Même s'il est possible de fixer un accessoire à l'outil électrique, cela ne garantit pas qu'il fonctionnera de manière sûre.
4. **La vitesse nominale de l'accessoire doit être au moins égale à la vitesse maximale indiquée sur l'outil électrique.** Les accessoires utilisés à une vitesse supérieure à leur vitesse nominale peuvent se casser et voler en éclats.
5. **Le diamètre extérieur et l'épaisseur de l'accessoire ne doivent pas dépasser la capacité nominale de l'outil électrique.** La maîtrise et la protection des accessoires de format incorrect ne peuvent être garantis.

6. **Le filetage de montage des accessoires doit correspondre au filetage de l'arbre de l'outil. Pour les accessoires montés sur bride, l'alésage de l'accessoire doit correspondre au diamètre de centrage de la bride.** Des accessoires inadaptés au matériel de montage de l'outil électrique présenteront un déséquilibre et des vibrations excessives, et risquent d'entraîner une perte de contrôle de l'outil.
7. **N'utilisez pas l'accessoire s'il est endommagé. Avant chaque utilisation, inspectez les accessoires tels que le plateau de support, pour vérifier l'absence de fissures, de déchirures ou d'une usure excessive. Si vous échappez l'outil électrique ou un accessoire, assurez-vous qu'il n'est pas endommagé et remplacez-le en cas de dommage. Après avoir vérifié et installé un accessoire, assurez-vous que personne, y compris vous-même, ne se trouve au même niveau que l'accessoire rotatif, et faites tourner l'outil électrique à vitesse maximale, sans charge, pendant une minute.** Normalement l'accessoire se cassera lors de ce test s'il est endommagé.
8. **Portez des dispositifs de protection personnelle. Suivant le type de travail à effectuer, utilisez un écran facial, des lunettes étanches ou des lunettes de sécurité. Au besoin, portez un masque antipoussières, des protecteurs d'oreilles, des gants ou un tablier de travail assurant une protection contre les petits fragments de pièce.** La protection des yeux doit pouvoir arrêter les débris éjectés lors des divers travaux. Le masque antipoussières ou le masque filtrant doit pouvoir filtrer les particules générées lors des travaux. L'exposition prolongée à un bruit d'intensité élevée peut entraîner la surdité.
9. **Assurez-vous que les curieux demeurent à une distance sûre de la zone de travail. Toute personne pénétrant dans la zone de travail doit porter des dispositifs de protection personnelle.** Des fragments de pièce ou un accessoire cassé peuvent être éjectés et blesser les personnes présentes dans la zone de travail.
10. **Placez le cordon à l'écart de l'accessoire tournant.** Si vous perdez la maîtrise de l'outil, vous risquez de couper ou d'accrocher le cordon, et l'accessoire tournant risque de vous happer une main ou un bras.
11. **Ne déposez jamais l'outil électrique avant que l'accessoire n'ait complètement cessé de tourner.** L'accessoire tournant risquerait d'accrocher la surface et d'entraîner une perte de maîtrise de l'outil électrique.
12. **Ne laissez pas tourner l'outil électrique lorsque vous le transportez.** L'accessoire tournant risquerait d'entrer accidentellement en contact avec vos vêtements et d'être ensuite attiré vers votre corps.
13. **Nettoyez régulièrement les orifices de ventilation de l'outil électrique.** Le ventilateur du moteur attire la poussière à l'intérieur du carter et l'accumulation excessive de poudre métallique peut causer un danger électrique.
14. **N'utilisez pas l'outil électrique près des matériaux inflammables.** Les étincelles peuvent allumer ces matériaux.
15. **N'utilisez pas d'accessoires pour lesquels l'utilisation d'un liquide de refroidissement est nécessaire.** L'utilisation d'eau ou d'un liquide de refroidissement comporte un risque d'électrocution ou de choc électrique.
- Mises en garde concernant les chocs en retour**
Le choc en retour est une réaction soudaine qui survient lorsque la meule, la semelle, la brousse ou un autre accessoire en rotation se coince ou accroche. Lorsque l'accessoire en rotation se coince ou accroche, il s'arrête soudainement et l'utilisateur perd alors la maîtrise de l'outil électrique projeté dans le sens contraire de sa rotation au point où il se coince dans la pièce.
Le choc en retour est le résultat d'une mauvaise utilisation de l'outil électrique et/ou de procédures ou conditions inadéquates de travail. Il peut être évité en prenant les mesures appropriées, tel qu'indiqué ci-dessous.
- a) **Maintenez une poigne ferme sur l'outil électrique, et placez corps et bras de façon à assurer une bonne résistance aux forces de choc en retour. Utilisez toujours la poignée auxiliaire lorsque cette dernière est disponible, pour assurer une maîtrise maximale de l'outil en cas de choc en retour ou de couple de réaction au moment du démarrage.** L'utilisateur peut maîtriser l'effet du couple de réaction ou du choc en retour s'il prend les précautions nécessaires.
 - b) **Ne placez jamais la main près d'un accessoire en rotation.** L'accessoire risquerait de passer sur la main en cas de choc en retour.
 - c) **Ne vous placez pas dans la zone vers laquelle l'outil électrique se déplacera en cas de choc en retour.** Le choc en retour projettera l'outil dans le sens opposé au mouvement de la meule au point où elle accroche dans la pièce.
 - d) **Soyez tout particulièrement prudent lorsque vous travaillez dans les coins, sur des bords tranchants, etc. Évitez de laisser l'accessoire bondir ou accrocher.** L'accessoire en rotation a tendance à accrocher, entraînant une perte de maîtrise ou un choc en retour, au contact des coins et des bords tranchants, ou lorsqu'il bondit.
 - e) **Ne fixez pas une lame de tronçonneuse ou une lame dentée.** De telles lames causent fréquemment des chocs en retour et des pertes de maîtrise.
- Consignes de sécurité propres aux travaux de polissage :**
- a) **Évitez de laisser tourner librement toute partie de la peau de polissage ou l'excédent des fils qui la retiennent. Cachez ou coupez tout excédent de fil.** En tournant, l'excédent de fil risquerait de s'enchevêtrer autour de vos doigts ou d'accrocher la pièce à travailler.
- Consignes de sécurité supplémentaires :**
- 16. **Ne laissez pas tourner l'outil après l'utilisation. Ne faites fonctionner l'outil qu'une fois que vous l'avez bien en main.**
 - 17. **Vérifiez que la pièce est correctement soutenue.**
 - 18. **Si le site de travail est extrêmement chaud et humide, ou s'il y a beaucoup de poussières conductrices dans l'air, utilisez un coupe-circuit (30 mA) pour assurer votre sécurité.**

19. N'utilisez l'outil sur aucun matériau contenant de l'amiante.

CONSERVEZ CES INSTRUCTIONS.

⚠ AVERTISSEMENT :

NE vous laissez PAS tromper (au fil d'une utilisation répétée) par un sentiment d'aisance et de familiarité avec le produit, en négligeant le respect rigoureux des consignes de sécurité qui accompagnent le produit en question. La MAUVAISE UTILISATION de l'outil ou l'ignorance des consignes de sécurité indiquées dans ce manuel d'instructions peut entraîner une blessure grave.

DESCRIPTION DU FONCTIONNEMENT

⚠ ATTENTION :

- Assurez-vous toujours que l'outil est hors tension et débranché avant de l'ajuster ou de vérifier son fonctionnement.

Verrou d'axe (Fig. 1)

⚠ ATTENTION :

- N'actionnez jamais le verrou d'axe pendant que la broche tourne. Cela pourrait endommager l'outil.

Efoncez le verrou d'axe afin d'empêcher que la broche tourne pour installer ou retirer des accessoires.

Interrupteur (Fig. 2)

⚠ ATTENTION :

- Avant de brancher l'outil, vérifiez toujours que la gâchette fonctionne correctement et qu'elle revient sur la position "OFF" une fois relâchée.
- Vous pouvez verrouiller l'interrupteur sur la position "ON" pour plus de confort en cas d'utilisation prolongée. Soyez prudent lorsque vous verrouillez l'outil sur la position "ON", et gardez une prise ferme sur l'outil.

Pour mettre l'outil en route, il suffit de tirer sur la gâchette de l'interrupteur. L'augmentation de la pression exercée sur la gâchette fait accélérer l'outil. Pour arrêter l'outil, relâchez la gâchette de l'interrupteur.

Pour obtenir un fonctionnement continu, tirez sur la gâchette de l'interrupteur et appuyez sur le bouton de blocage.

Pour arrêter l'outil lorsqu'il fonctionne en continu, tirez à fond sur la gâchette de l'interrupteur et relâchez-la.

Cadran de réglage de la vitesse (Fig. 3)

La vitesse de l'outil peut être modifiée en tournant le cadran de réglage de la vitesse sur un numéro de réglage donné, de 1 à 6. (Lorsque la gâchette est enfoncée complètement.)

Une vitesse plus élevée est obtenue lorsque le cadran est tourné dans le sens du numéro 6. Une vitesse plus basse est obtenue lorsqu'il est tourné dans le sens du numéro 1.

Reportez-vous au tableau pour le rapport entre les réglages numérotés sur le cadran et la vitesse approximative de l'outil.

Chiffre	min ⁻¹ (t/mn)
1	600
2	900
3	1 500
4	2 100
5	2 700
6	3 200

014945

⚠ ATTENTION :

- Si l'outil est utilisé de manière continue à vitesse basse sur une période prolongée, le moteur surchauffera et cela entraînera un dysfonctionnement de l'outil.
- Le cadran de réglage de la vitesse ne peut pas être tourné plus haut que 6 ou plus bas que 1. N'essayez pas de le placer au-delà de 6 ou en dessous de 1, sinon le réglage de la vitesse risque de ne plus fonctionner.

ASSEMBLAGE

⚠ ATTENTION :

- Assurez-vous toujours que l'outil est hors tension et débranché avant d'effectuer tout travail dessus.
- Installez toujours la poignée-arceau ou la poignée latérale.

Pose et dépose du capot de la tête de polissage (Fig. 4)

Pour enlever le capot de la tête de polissage, procédez comme suit :

- Enlevez le vis du capot de la tête de polissage à l'aide d'un tournevis.
- Enlevez le capot de la tête de polissage comme indiqué sur la figure.

Pour installer le capot de la tête de polissage, inversez les étapes ci-dessus.

Pose de la poignée arceau (accessoire en option)

⚠ ATTENTION :

- Avant l'utilisation, assurez-vous toujours que la poignée-arceau est solidement fixée.

Installez toujours la poignée arceau sur l'outil avant le travail. Tenez la poignée arrière de l'outil et la poignée arceau fermement à deux mains pendant le fonctionnement.

Installez la poignée arceau de façon que sa saillie rentre dans l'orifice correspondant du carter d'engrenages.

(Fig. 5)

Installez les boulons et serrez-les à l'aide de la clé hexagonale. La poignée-arceau peut être installée selon deux directions différentes, comme indiqué sur les figures. Choisissez la plus adaptée à votre travail. (Fig. 6 et 7)

Pour les outils équipés d'un plateau de support

Pose et dépose du disque en peau de mouton (accessoire en option) (Fig. 8)

Avant d'installer la peau de mouton, enlevez toute saleté et tout corps étranger du plateau. Appuyez sur le bouton de verrou d'axe et vissez le plateau sur la broche. Insérez le manchon 18 dans l'orifice central du plateau de support.

En vous servant du manchon 18 comme guide de positionnement, installez la peau de mouton sur le plateau de support avec le manchon 18 inséré dans l'orifice central de la peau de mouton. Puis, retirez le manchon 18 du plateau.

Pour retirer la peau de mouton, enlevez-la simplement du plateau. Puis, dévissez le plateau tout en appuyant sur le bouton de verrou d'axe.

Pour les outils équipés d'un disque en caoutchouc

Pose et dépose du bonnet en peau de mouton (accessoire en option)

Montez le disque en caoutchouc sur l'axe. Vissez le contre-écrou sur l'axe. (Fig. 9)

Appuyez fermement sur le verrouillage de l'arbre pour empêcher l'axe de tourner. Serrez fermement le contre-écrou à l'aide de la clé à contre-écrou en le tournant dans le sens des aiguilles d'une montre.

Pour retirer le disque en caoutchouc, inversez les étapes de la procédure d'installation. (Fig. 10)

Placez le bonnet en peau de mouton sur le disque en caoutchouc. Faites un nœud de lacet et rentrez le nœud et les fils qui dépassent entre le disque en caoutchouc et le bonnet en peau de mouton. (Fig. 11)

Pose de la poignée latérale (accessoire en option) (Fig. 12)

⚠ ATTENTION :

- Avant l'utilisation, assurez-vous toujours que la poignée latérale est fermement posée.

Vissez fermement la poignée latérale sur l'outil à l'emplacement indiqué sur la figure.

UTILISATION

Polissage (Fig. 13)

⚠ ATTENTION :

- Portez toujours des lunettes de protection ou un écran facial pendant l'opération.

Tenez l'outil fermement. Mettez l'outil sous tension, puis appliquez le bonnet/disque en peau de mouton sur la pièce.

De façon générale, le bonnet/disque en peau de mouton doit être incliné d'environ 15° par rapport à la surface de la pièce.

N'appliquez qu'une faible pression. Une pression excessive donnera un résultat médiocre et entraînera une usure rapide du bonnet/disque en peau de mouton.

ENTRETIEN

⚠ ATTENTION :

- Assurez-vous toujours que l'outil est hors tension et débranché avant d'y effectuer tout travail d'inspection ou d'entretien.
- N'utilisez jamais d'essence, benzine, diluant, alcool ou autre produit similaire. Cela risquerait de provoquer la décoloration, la déformation ou la fissuration de l'outil.

Nettoyage du capot anti-poussière (Fig. 14)

Pour nettoyer le capot anti-poussière, procédez comme suit :

1. Enlevez la vis du capot anti-poussière.
2. Enlevez le capot anti-poussière.
3. Essuyez le capot anti-poussière pour le nettoyer.
4. Alignez le crochet du capot anti-poussière avec la rainure de la poignée.
5. Fixez le capot anti-poussière à l'aide de la vis.

Si le capot anti-poussière est cassé ou très encrassé, remplacez-le.

Remplacement des charbons (Fig. 15 et 16)

Retirez et vérifiez régulièrement les charbons. Remplacez-les lorsqu'ils sont usés jusqu'au trait de limite d'usure. Maintenez les charbons propres et en état de glisser aisément dans les porte-charbon. Les deux charbons doivent être remplacés en même temps. N'utilisez que des charbons identiques.

Utilisez un tournevis pour retirer les bouchons de porte-charbon. Enlevez les charbons usés, insérez-en de nouveaux et revissez solidement les bouchons de porte-charbon.

Pour maintenir la SÉCURITÉ et la FIABILITÉ du produit, les réparations et tout autre travail d'entretien ou de réglage doivent être effectués dans un centre de service après-vente Makita agréé, exclusivement avec des pièces de rechange Makita.

ACCESSOIRES EN OPTION

⚠ ATTENTION :

- Ces accessoires ou pièces complémentaires sont recommandés pour l'utilisation avec l'outil Makita spécifié dans ce mode d'emploi. L'utilisation de tout autre accessoire ou pièce peut comporter un risque de blessure. N'utilisez les accessoires ou pièces qu'aux fins mentionnées dans le présent mode d'emploi.

Si vous désirez obtenir plus de détails concernant ces accessoires, veuillez contacter le centre de service après-vente Makita le plus près.

- Contre-écrou 48
- Clé à contre-écrou 28
- Coussinet-éponge (à bande velcro)
- Disque en peau de mouton 180 (à bande velcro)
- Plateau de support 165 (à bande velcro)
- Manchon 18
- Poignée latérale (poignée auxiliaire)
- Poignée-arceau
- Capot de la tête de polissage

NOTE :

- Il se peut que certains éléments de la liste soient compris dans l'emballage de l'outil en tant qu'accessoires standard. Ils peuvent varier d'un pays à l'autre.

Bruit

Niveau de bruit pondéré A typique, déterminé selon EN60745 :

Niveau de pression sonore (L_{pA}) : 83 dB (A)

Niveau de puissance sonore (L_{WA}) : 94 dB (A)

Incertitude (K) : 3 dB (A)

Porter des protecteurs anti-bruit

ENG900-1

Vibrations

Valeur totale de vibrations (somme de vecteur triaxial) déterminée selon EN60745 :

Mode de travail : polissage

Émission de vibrations ($a_{h, p}$) : 2,5 m/s² ou moins

Incertitude (K) : 1,5 m/s²

ENG902-1

- La valeur d'émission de vibrations déclarée a été mesurée conformément à la méthode de test standard et peut être utilisée pour comparer les outils entre eux.
- La valeur d'émission de vibrations déclarée peut aussi être utilisée pour l'évaluation préliminaire de l'exposition.
- La valeur d'émission de vibrations déclarée est utilisée pour les applications principales de l'outil électrique. Elle peut toutefois être différente si l'outil électrique est utilisé pour d'autres applications.

 AVERTISSEMENT :

- L'émission de vibrations lors de l'usage réel de l'outil électrique peut être différente de la valeur d'émission déclarée, suivant la façon dont l'outil est utilisé.
- Les mesures de sécurité à prendre pour protéger l'utilisateur doivent être basées sur une estimation de l'exposition dans des conditions réelles d'utilisation (en tenant compte de toutes les composantes du cycle d'utilisation, comme par exemple le moment de sa mise hors tension, lorsqu'il tourne à vide et le moment de son déclenchement).

DÉCLARATION DE CONFORMITÉ CE**Pour les pays d'Europe uniquement**

La déclaration de conformité CE est fournie en Annexe A à ce mode d'emploi.

Übersicht

1 Spindelarretierung	9 Aussparung im	16 Spindel
2 Schalterarretierung	Getriebegehäuse	17 Wollhaube
3 Elektronikschalter	10 Bügelgriff	18 Sicherungsmutter
4 Drehzahl-Stellrad	11 Sechskantstiftschlüssel	19 Gummiteller
5 Kopfabdeckung	12 Befestigungsschraube	20 Sicherungsmutterschlüssel
6 Schraube	13 Wollkissen	21 Staubfänger
7 Schraubendreher	14 Zentrierhülse 18	22 Verschleißgrenze
8 Erhebung am Bügelgriff	15 Schleifteller	23 Kohlebürstenhalterkappe

TECHNISCHE DATEN

Modell		9237CB
Max. Schleifleistung	Wollkissen	180 mm
	Wollhaube	180 mm
Spindelgewinde		M14 oder 5/8" (länderspezifisch)
Nenn Drehzahl (n)/ Leerlauf Drehzahl (n ₀)		3 200 min ⁻¹
Gesamtlänge		431 mm
Nettogewicht		3,3 - 3,5 kg
Sicherheitsklasse		□/II

GEB038-3

- Wir behalten uns vor, Änderungen im Zuge der Entwicklung und des technischen Fortschritts ohne vorherige Ankündigung vorzunehmen.
- Die technischen Daten können von Land zu Land abweichen.
- Das Gewicht kann abhängig von den Aufsätzen unterschiedlich sein. Die leichteste und die schwerste Kombination, gemäß dem EPTA-Verfahren 01/2014, sind in der Tabelle angegeben.

ENE087-1

Vorgesehene Verwendung

Das Werkzeug ist für Polieren vorgesehen.

ENF002-2

Netzanschluss

Die Maschine sollte nur an eine Stromquelle angeschlossen werden, deren Spannung mit der Angabe auf dem Typenschild übereinstimmt, und kann nur mit Einphasen-Wechselstrom betrieben werden. Diese sind doppelt schutzisoliert und können daher auch an Steckdosen ohne Erdleiter verwendet werden.

GEA010-1

Allgemeine Sicherheitswarnungen für Elektrowerkzeuge

⚠️ WARNUNG Lesen Sie alle Sicherheitswarnungen und Anweisungen durch. Eine Missachtung der unten aufgeführten Warnungen und Anweisungen kann zu einem elektrischen Schlag, Brand und/oder schweren Verletzungen führen.

Bewahren Sie alle Warnungen und Anweisungen für spätere Bezugnahme auf.

SICHERHEITSWARNUNGEN FÜR POLIERMASCHINE

Allgemeine Sicherheitswarnungen für Polierbetrieb:

- Dieses Elektrowerkzeug ist für den Einsatz als Poliermaschine vorgesehen. Lesen Sie alle mit diesem Elektrowerkzeug gelieferten Sicherheitswarnungen, Anweisungen, Abbildungen und technischen Daten durch.** Eine Missachtung der unten aufgeführten Anweisungen kann zu einem elektrischen Schlag, Brand und/oder schweren Verletzungen führen.
- Arbeiten, wie Trennschleifen, Schleifen, Drahtbürsten oder Abschneiden mit diesem Elektrowerkzeug sind nicht zu empfehlen.** Benutzungsweisen, für die das Elektrowerkzeug nicht ausgelegt ist, können Gefahren erzeugen und Verletzungen verursachen.
- Verwenden Sie kein Zubehör, das nicht speziell vom Werkzeughersteller vorgesehen ist und empfohlen wird.** Die bloße Tatsache, dass ein Zubehörteil an Ihrem Elektrowerkzeug angebracht werden kann, gewährleistet noch keinen sicheren Betrieb.
- Die Nenn Drehzahl des Zubehörteils muss mindestens der am Elektrowerkzeug angegebenen Maximaldrehzahl entsprechen.** Zubehörteile, die schneller als ihre Nenn Drehzahl rotieren, können bersten und auseinander fliegen.
- Außendurchmesser und Dicke des Zubehörteils müssen innerhalb der Kapazitätsgrenzen Ihres Elektrowerkzeugs liegen.** Zubehörteile der falschen Größe können nicht angemessen geschützt oder kontrolliert werden.

6. Die Gewindehalterung von Zubehöerteilen muss genau dem Gewinde der Maschinenspindel entsprechen. Bei Zubehöerteilen, die durch Flansche montiert werden, muss die Spindelbohrung dem Positionierdurchmesser des Flansches angepasst sein. Zubehöerteile, die nicht genau auf den Montageflansch des Elektrowerkzeugs passen, laufen unrund, vibrieren übermäßig und können einen Verlust der Kontrolle verursachen.
7. Verwenden Sie keine beschädigten Zubehöerteile. Überprüfen Sie das Zubehöerteil (z. B. Schleifteller) vor jedem Gebrauch auf Brüche, Risse oder übermäßigen Verschleiß. Falls das Elektrowerkzeug oder das Zubehöerteil herunterfällt, überprüfen Sie es auf Beschädigung, oder montieren Sie ein unbeschädigtes Zubehöerteil. Achten Sie nach der Überprüfung und Installation eines Zubehöerteils darauf, dass Sie selbst und Umstehende nicht in der Rotationsebene des Zubehöerteils stehen, und lassen Sie das Elektrowerkzeug eine Minute lang mit maximaler Leerlaufdrehzahl laufen. Ein beschädigtes Zubehöerteil bricht normalerweise während dieses Probelaufs auseinander.
8. Tragen Sie Schutzausrüstung. Benutzen Sie je nach der Arbeit einen Gesichtsschutz bzw. eine Sicherheits- oder Schutzbrille. Tragen Sie bei Bedarf eine Staubmaske, Ohrenschützer, Handschuhe und eine Arbeitsschürze, die in der Lage ist, kleine geschliffene Werkstücksplitter abzuwehren. Der Augenschutz muss in der Lage sein, den bei verschiedenen Arbeiten anfallenden Flugstaub abzuwehren. Die Staubmaske oder Atemschutzmaske muss in der Lage sein, durch die Arbeit erzeugte Partikel herauszufiltern. Lang anhaltende Lärmbelastung kann zu Gehörschäden führen.
9. Halten Sie Umstehende in sicherem Abstand vom Arbeitsbereich. Jeder, der den Arbeitsbereich betritt, muss Schutzausrüstung tragen. Bruchstücke des Werkstücks oder eines beschädigten Zubehöerteils können weggeschleudert werden und Verletzungen über den unmittelbaren Arbeitsbereich hinaus verursachen.
10. Halten Sie das Kabel vom rotierenden Zubehöerteil fern. Falls Sie die Kontrolle verlieren, kann das Kabel durchgetrennt oder erfasst werden, so dass Ihre Hand oder Ihr Arm in das rotierende Zubehöerteil hineingezogen wird.
11. Legen Sie das Elektrowerkzeug erst ab, nachdem das Zubehöerteil zum vollständigen Stillstand gekommen ist. Anderenfalls kann das rotierende Zubehöerteil die Oberfläche erfassen und das Elektrowerkzeug aus Ihren Händen reißen.
12. Lassen Sie das Elektrowerkzeug nicht laufen, während Sie es an Ihrer Seite tragen. Das rotierende Zubehöerteil könnte sonst bei versehentlichem Kontakt Ihre Kleidung erfassen und auf Ihren Körper zu gezogen werden.
13. Reinigen Sie die Ventilationsöffnungen des Elektrowerkzeugs regelmäßig. Der Lüfter des Motors saugt Staub in das Gehäuse an, und starke Ablagerungen von Metallstaub können elektrische Gefahren verursachen.
14. Betreiben Sie das Elektrowerkzeug nicht in der Nähe von brennbaren Materialien. Funken könnten diese Materialien entzünden.
15. Verwenden Sie keine Zubehöerteile, die Kühlflüssigkeiten erfordern. Die Verwendung von Wasser oder anderen Kühlflüssigkeiten kann zu einem Stromschlag führen.

Warnungen vor Rückschlag und damit zusammenhängenden Gefahren

Ein Rückschlag ist eine plötzliche Reaktion auf Klemmen oder Hängenbleiben der Schleifscheibe, des Schleiftellers, der Drahtbürste oder eines anderen Zubehöerteils. Klemmen oder Hängenbleiben verursacht sofortiges Stocken des rotierenden Zubehöerteils, was wiederum dazu führt, dass das außer Kontrolle geratene Elektrowerkzeug am Stockpunkt in die entgegengesetzte Drehrichtung des Zubehöerteils geschleudert wird.

Rückschlag ist das Resultat falscher Handhabung des Elektrowerkzeugs und/oder falscher Arbeitsverfahren oder -bedingungen und kann durch Anwendung der nachstehenden Vorsichtsmaßnahmen vermieden werden.

- a) Halten Sie das Elektrowerkzeug mit festem Griff, und positionieren Sie Ihren Körper und Arm so, dass Sie die Rückschlagkräfte auffangen können. Benutzen Sie stets den Zusatzgriff, wenn vorhanden, um maximale Kontrolle über Rückschlag oder Drehbewegungen während des Anlaufs zu haben. Drehbewegungen oder Rückschlagkräfte können kontrolliert werden, wenn entsprechende Vorkehrungen getroffen werden.
 - b) Halten Sie Ihre Hand niemals in die Nähe des rotierenden Zubehöerteils. Bei einem Rückschlag könnte das Zubehöerteil Ihre Hand verletzen.
 - c) Stellen Sie sich nicht in den Bereich, in den das Elektrowerkzeug bei Auftreten eines Rückschlags geschleudert wird. Der Rückschlag schleudert das Werkzeug am Stockpunkt in die entgegengesetzte Drehrichtung der Schleifscheibe.
 - d) Lassen Sie beim Bearbeiten von Ecken und scharfen Kanten usw. besondere Vorsicht walten. Vermeiden Sie Anstoßen und Verhaken des Zubehöerteils. Ecken, scharfe Kanten oder Anstoßen führen leicht zu Hängenbleiben des rotierenden Zubehöerteils und verursachen Verlust der Kontrolle oder Rückschlag.
 - e) Montieren Sie keine Sägeketten, Holzfräsen oder gezahnte Sägeblätter. Solche Zubehöerteile verursachen häufige Rückschläge und Verlust der Kontrolle.
- Sicherheitswarnungen speziell für Polierbetrieb:**
- a) Lassen Sie nicht zu, dass lose Teile der Polierhaube oder ihre Halteschnüre frei rotieren. Lose Halteschnüre sind wegzustecken oder abzuschneiden. Lose und rotierende Halteschnüre können sich um Ihre Finger wickeln oder sich am Werkstück verfangen.

Zusätzliche Sicherheitswarnungen:

16. Lassen Sie das Werkzeug nicht unbeaufsichtigt laufen. Benutzen Sie das Werkzeug nur mit Handhaltung.
17. Vergewissern Sie sich, dass das Werkstück sicher abgestützt ist.
18. Falls der Arbeitsplatz sehr heiß, feucht oder durch leitfähigen Staub stark verschmutzt ist, verwenden Sie einen Kurzschlusschalter (30 mA) zum Schutz des Bedieners.
19. Verwenden Sie dieses Werkzeug nicht zur Bearbeitung von asbesthaltigen Materialien.

BEWAHREN SIE DIESE HINWEISE SORGFÄLTIG AUF.

⚠️ WARNUNG:

Lassen Sie sich NICHT durch Bequemlichkeit oder Vertrautheit mit dem Produkt (durch wiederholten Gebrauch erworben) von der strikten Einhaltung der Sicherheitsregeln für das vorliegende Produkt abhalten. MISSBRAUCH oder Missachtung der Sicherheitsvorschriften in dieser Anleitung können schwere Verletzungen verursachen.

FUNKTIONSBESCHREIBUNG

⚠️ VORSICHT:

- Vergewissern Sie sich vor jeder Einstellung oder Funktionsprüfung des Werkzeugs stets, dass sie ausgeschaltet und vom Stromnetz getrennt ist.

Scharfretterung (Abb. 1)

⚠️ VORSICHT:

- Betätigen Sie die Scharfretterung auf keinen Fall bei rotierender Spindel. Das Werkzeug kann dadurch beschädigt werden.

Drücken Sie bei der Montage bzw. Demontage von Zubehör die Scharfretterung ein, um eine Spindeldrehung zu verhindern.

Schalterfunktion (Abb. 2)

⚠️ VORSICHT:

- Vergewissern Sie sich vor dem Anschließen der Maschine an das Stromnetz stets, dass der Elektronikschalter ordnungsgemäß funktioniert und beim Loslassen in die "AUS" Stellung zurückkehrt.
- Der Schalter kann zur Arbeitserleichterung bei längerem Einsatz in der "EIN" Stellung verriegelt werden. Lassen Sie Vorsicht walten, wenn Sie den Schalter in der "EIN" Stellung verriegeln, und halten Sie das Werkzeug mit festem Griff.

Zum Einschalten drücken Sie den Elektronikschalter. Die Drehzahl erhöht sich durch verstärkte Druckausübung auf den Elektronikschalter. Zum Ausschalten lassen Sie den Elektronikschalter los.

Für Dauerbetrieb drücken Sie den Elektronikschalter und gleichzeitig die Schalterarretierung.

Zum Ausschalten des Dauerbetriebs den Elektronikschalter drücken und wieder loslassen.

Drehzahl-Stellrad (Abb. 3)

Die Drehzahl kann durch Drehen des Drehzahl-Stellrads auf eine der Stufen von 1 bis 6 verstellt werden. (Bei voller Betätigung des Elektronikschalters.)

Durch Drehen des Stellrads in Richtung der Stufe 6 wird die Drehzahl erhöht. Durch Drehen des Stellrads in Richtung der Stufe 1 wird die Drehzahl verringert.

Die ungefähren Drehzahlen für die einzelnen Stellrad-Positionen sind aus der Tabelle ersichtlich.

Ziffer	min ⁻¹ (Drehzahl)
1	600
2	900
3	1 500
4	2 100
5	2 700
6	3 200

014945

⚠️ VORSICHT:

- Wird das Werkzeug über längere Zeitspannen im Dauerbetrieb mit niedriger Drehzahl betrieben, führt das zu einer Überlastung des Motors, die eine Funktionsstörung zur Folge haben kann.
- Das Drehzahl-Stellrad lässt sich nur bis 6 und zurück auf 1 drehen. Wird es gewaltsam über 6 oder 1 hinaus gedreht, lässt sich die Drehzahl möglicherweise nicht mehr einstellen.

MONTAGE

⚠️ VORSICHT:

- Vergewissern Sie sich vor der Ausführung von Arbeiten am Werkzeug stets, dass sie ausgeschaltet und vom Stromnetz getrennt ist.
- Montieren Sie immer den Bügelgriff oder den Seitengriff.

Abnehmen und Anbringen der Kopfabdeckung (Abb. 4)

Führen Sie zum Abnehmen der Kopfabdeckung die folgenden Schritte aus:

1. Entfernen Sie die Schraube an der Kopfabdeckung mit einem Schraubendreher.
2. Entfernen Sie die Kopfabdeckung, wie in der Abbildung gezeigt.

Zum Anbringen der Kopfabdeckung sind die obigen Schritte umgekehrt anzuwenden.

Montage des Bügelgriffs (Sonderzubehör)

⚠️ VORSICHT:

- Vergewissern Sie sich vor dem Betrieb stets, dass der Bügelgriff einwandfrei montiert ist.

Befestigen Sie stets den Bügelgriff vor dem Betrieb am Werkzeug. Halten Sie das Werkzeug während des Betriebs mit beiden Händen an den dafür vorgesehenen Griffen fest.

Den Bügelgriff mit der Erhebung in die Aussparung des Getriebegehäuses einsetzen. (Abb. 5)

Setzen Sie die Befestigungsschrauben ein und ziehen Sie sie mit dem Sechskantstiftschlüssel fest. Der Bügelgriff kann in zwei verschiedenen Richtungen montiert werden, wie in den Abbildungen dargestellt, je nachdem, was für Ihre Arbeit am zweckmäßigsten ist. (Abb. 6 u. 7)

Für Werkzeuge, die mit einem Schleifteller ausgestattet sind

Anbringen und Abnehmen des Wollkissens (Sonderzubehör) (Abb. 8)

Entfernen Sie vor der Montage des Wollkissens jeglichen Schmutz und Fremdkörper vom Schleifteller. Drücken Sie die Spindelarreterierung und schrauben Sie den Schleifteller auf die Spindel. Setzen Sie die Zentrierhülse 18 in die Zentrierbohrung des Schleiftellers.

Die Wollkissen wird auf dem Schleifteller zentriert befestigt. Nach erfolgter Montage die Zentrierhülse 18 entfernen.

Das Wollkissen zum Entfernen vom Schleifteller abziehen. Den Schleifteller bei gedrückter Spindelarreterierung abschrauben.

Für Werkzeuge, die mit einem Gummiteller ausgestattet sind

Anbringen und Abnehmen der Wollhaube (Sonderzubehör)

Befestigen Sie den Gummiteller an der Spindel. Schrauben Sie die Sicherungsmutter auf die Spindel.

(Abb. 9)

Drücken Sie zum Anziehen der Sicherungsmutter die Spindelarreterierung, um die Spindel zu blockieren; ziehen Sie dann die Mutter mit dem Sicherungsmutterschlüssel im Uhrzeigersinn an.

Zum Abnehmen des Gummitellers wenden Sie das Montageverfahren umgekehrt an. (Abb. 10)

Ziehen Sie die Wollhaube auf den Gummiteller auf. Knüpfen Sie eine Schleife, und verstauen Sie dann die Schleife und lose Schnurende zwischen Wollhaube und Gummiteller. (Abb. 11)

Montieren des Seitengriffs (Handgriff) (Sonderzubehör) (Abb. 12)

⚠ VORSICHT:

- Vergewissern Sie sich vor dem Betrieb stets, dass der Seitengriff einwandfrei montiert ist.

Schrauben Sie den Seitengriff an der in der Abbildung gezeigten Position fest an das Werkzeug.

BETRIEB

Polierbetrieb (Abb. 13)

⚠ VORSICHT:

- Tragen Sie bei der Arbeit stets eine Schutzbrille und einen Gesichtsschutz.

Halten Sie das Werkzeug mit festem Griff. Schalten Sie das Werkzeug ein, und setzen Sie dann das Wollkissen/ die Wollhaube auf das Werkstück.

Halten Sie das Wollkissen/die Wollhaube im Allgemeinen in einem Winkel von etwa 15° zur Werkstückoberfläche. Üben Sie nur leichten Druck aus. Übermäßiger Druck führt zu schlechter Polierleistung und vorzeitigem Verschleiß des Wollkissens/der Wollhaube.

WARTUNG

⚠ VORSICHT:

- Denken Sie vor der Durchführung von Überprüfungen oder Wartungsarbeiten stets daran, das Werkzeug auszuschalten und vom Stromnetz zu trennen.

- Verwenden Sie auf keinen Fall Benzin, Benzol, Verdünner, Alkohol oder dergleichen. Solche Mittel können Verfärbung, Verformung oder Rissbildung verursachen.

Reinigen des Staubfängers (Abb. 14)

Reinigen Sie den Staubfänger bei Bedarf gemäß den folgenden Schritten:

1. Entfernen Sie die Schraube an dem Staubfänger.
2. Nehmen Sie den Staubfänger ab.
3. Wischen Sie den Staubfänger ab, um Schmutz zu entfernen.
4. Richten Sie den Haken des Staubfängers auf die Nut am Handgriff aus.
5. Befestigen Sie den Staubfänger mit der Schraube. Falls der Staubfänger beschädigt oder stark verschmutzt wird, tauschen Sie ihn aus.

Auswechseln der Kohlebürsten (Abb. 15 u. 16)

Die Kohlebürsten müssen regelmäßig entfernt und überprüft werden. Wenn sie bis zur Verschleißgrenze abgenutzt sind, müssen sie erneuert werden. Halten Sie die Kohlebürsten stets sauber, damit sie ungehindert in den Haltern gleiten können. Beide Kohlebürsten sollten gleichzeitig erneuert werden. Verwenden Sie nur identische Kohlebürsten.

Drehen Sie die Bürstenhalterkappen mit einem Schraubendreher heraus. Nehmen Sie die abgenutzten Kohlebürsten heraus, setzen Sie die neuen ein, und drehen Sie dann die Bürstenhalterkappen wieder ein.

Um die SICHERHEIT und ZUVERLÄSSIGKEIT dieses Produkts zu gewährleisten, sollten Reparaturen und andere Wartungs- oder Einstellarbeiten nur von Makita-Kundendienstzentren unter ausschließlicher Verwendung von Makita-Originalersatzteilen ausgeführt werden.

SONDERZUBEHÖR

⚠ VORSICHT:

- Die folgenden Zubehörteile oder Vorrichtungen werden für den Einsatz mit dem in dieser Anleitung beschriebenen Makita-Werkzeug empfohlen. Die Verwendung anderer Zubehörteile oder Vorrichtungen kann eine Verletzungsgefahr darstellen. Verwenden Sie Zubehörteile oder Vorrichtungen nur für ihren vorgesehenen Zweck.

Wenn Sie weitere Einzelheiten bezüglich dieser Zubehörteile benötigen, wenden Sie sich bitte an Ihre Makita-Kundendienststelle.

- Sicherungsmutter 48
- Sicherungsmutterschlüssel 28
- Schaumstoffkissen (Klettverschluss)
- Wollkissen 180 (Klettverschluss)
- Schleifteller 165 (Klettverschluss)
- Zentrierhülse 18
- Seitengriff (Zusatzgriff)
- Bügelgriff
- Kopfabdeckung

HINWEIS:

- Manche Teile in der Liste können als Standardzubehör im Werkzeugsatz enthalten sein. Sie können von Land zu Land unterschiedlich sein.

Geräusch

Typischer A-bewerteter Geräuschpegel ermittelt gemäß EN60745:

- Schalldruckpegel (L_{pA}): 83 dB (A)
- Schalleistungspegel (L_{WA}): 94 dB (A)
- Ungewissheit (K): 3 dB (A)

Gehörschutz tragen

ENG900-1

Vibration

Vibrationsgesamt看wert (Drei-Achsen-Vektorsumme) ermittelt gemäß EN60745:

- Arbeitsmodus: Polieren
- Vibrationsemission ($a_{h,p}$): 2,5 m/s² oder weniger
- Ungewissheit (K): 1,5 m/s²

ENG902-1

- Der angegebene Vibrationsemissionswert wurde im Einklang mit der Standardprüfmethode gemessen und kann für den Vergleich zwischen Maschinen herangezogen werden.
- Der angegebene Vibrationsemissionswert kann auch für eine Vorbewertung des Gefährdungsgrads verwendet werden.
- Der angegebene Vibrationsemissionswert wird für Hauptanwendungen des Elektrowerkzeugs verwendet. Wird das Elektrowerkzeug jedoch für andere Anwendungen verwendet, kann der Vibrationsemissionswert abweichen.

 WARNUNG:

- Die Vibrationsemission während der tatsächlichen Benutzung des Elektrowerkzeugs kann je nach der Benutzungsweise der Maschine vom angegebenen Emissionswert abweichen.
- Identifizieren Sie Sicherheitsmaßnahmen zum Schutz des Benutzers anhand einer Schätzung des Gefährdungsgrads unter den tatsächlichen Benutzungsbedingungen (unter Berücksichtigung aller Phasen des Arbeitszyklus, wie z. B. Ausschalt- und Leerlaufzeiten der Maschine zusätzlich zur Betriebszeit).

EG-KONFORMITÄTSERKLÄRUNG**Nur für europäische Länder**

Die EG-Konformitätserklärung ist als Anhang A in dieser Bedienungsanleitung enthalten.

Visione generale

1 Bloccaggio dell'albero	9 Fori corrispondenti scatola ingranaggio	16 Mandrino
2 Bottone di bloccaggio	10 Manico ad anello	17 Cappello di lana
3 Interruttore a grilletto	11 Chiave esagonale	18 Controdado
4 Ghiera di regolazione velocità	12 Bullone	19 Tampone di gomma
5 Coperchio testa	13 Tampone di lana	20 Chiave controdado
6 Vite	14 Manicotto 18	21 Coperchio antipolvere
7 Cacciavite	15 Platorello di appoggio	22 Segno limite
8 Sporgenze manico ad anello		23 Tappo portaspaiole

DATI TECNICI

Modello		9237CB
Capacità massima	Tampone di lana	180 mm
	Cappello di lana	180 mm
Filettatura mandrino		M14 o 5/8" (secondo il paese)
Velocità nominale (n)/ Velocità a vuoto (n ₀)		3.200 min ⁻¹
Lunghezza totale		431 mm
Peso netto		3,3 - 3,5 kg
Classe di sicurezza		□ /II

GEB038-3

- Per il nostro programma di ricerca e sviluppo continui, i dati tecnici sono soggetti a modifiche senza preavviso.
- I dati tecnici potrebbero differire a seconda del paese di destinazione del modello.
- Il peso può variare a seconda dell'accessorio o degli accessori. La combinazione più leggera e quella più pesante, in base alla Procedura EPTA 01/2014, sono indicate nella tabella.

ENE087-1

Utilizzo previsto

Questo utensile è progettato per la lucidatura.

ENF002-2

Alimentazione

Questo utensile deve essere collegato soltanto a una fonte di alimentazione con la stessa tensione indicata sulla targhetta del nome, e può funzionare soltanto con la corrente alternata monofase. Esso ha un doppio isolamento, per cui può anche essere utilizzato con le prese di corrente sprovviste della messa a terra.

GEA010-1

Avvertimenti generali per la sicurezza dell'utensile elettrico

⚠ AVVERTIMENTO Leggere tutti gli avvertimenti per la sicurezza e le istruzioni. La mancata osservanza degli avvertimenti e delle istruzioni può causare scosse elettriche, incendio e/o gravi incidenti.

Conservare tutti gli avvertimenti e le istruzioni per riferimenti futuri.

AVVERTIMENTI PER LA SICUREZZA DELLA LUCIDATRICE

Avvertimenti comuni per la sicurezza per le operazioni di lucidatura:

1. **Questo utensile elettrico è progettato per il funzionamento come lucidatrice. Leggere tutti gli avvertimenti per la sicurezza, le istruzioni, le illustrazioni e le specifiche forniti con questo utensile elettrico.** La mancata osservanza di tutte le istruzioni seguenti potrebbe causare scosse elettriche, incendi e/o seri incidenti.
2. **Non si sconsiglia di usare questo utensile per operazioni quali la molatura, la sabbatura, la spazzolatura metallica o la troncatura.** Le operazioni per le quali questo utensile elettrico non è stato progettato possono creare pericoli e causare incidenti.
3. **Non si devono usare accessori che non sono stati designati e consigliati appositamente dal produttore dell'utensile.** Anche se un accessorio può essere attaccato a questo utensile elettrico, esso non garantisce il funzionamento sicuro.
4. **La velocità nominale dell'accessorio deve essere almeno uguale alla velocità massima indicata sull'utensile elettrico.** Gli accessori che girano a una velocità maggiore di quella nominale possono rompersi e volare via.
5. **Il diametro esterno e lo spessore dell'accessorio devono essere entro la taratura nominale dell'utensile elettrico.** Gli accessori con le dimensioni sbagliate non possono essere adeguatamente protetti o controllati.

6. La montatura filettata degli accessori deve corrispondere alla filettatura del mandrino dell'utensile. Per gli accessori montati con le flange, il foro dell'albero deve poter accomodare il diametro di posizionamento della flangia. Gli accessori inadatti all'hardware di montaggio dell'utensile elettrico si sbilanciano, vibrano eccessivamente e potrebbero causare la perdita di controllo.
7. Non si deve usare un accessorio danneggiato. Prima di ogni utilizzo, controllare che sul platorello di rinforzo non ci siano crepe, lacerazioni o usura eccessiva. Se l'utensile elettrico o l'accessorio sono caduti, controllare se sono danneggiati o installare un accessorio non danneggiato. Dopo l'ispezione e l'installazione di un accessorio, posizionarsi e tenere gli astanti lontani dal piano dell'accessorio rotante e far girare l'utensile elettrico al massimo senza carico per un minuto. Gli accessori danneggiati si rompono generalmente durante questo periodo di prova.
8. Indossare l'equipaggiamento personale di protezione. A seconda del lavoro, usare una visiera, occhiali di protezione o occhiali di sicurezza. Secondo il caso, mettersi la mascherina antipolvere, le protezioni per gli orecchi, i guanti e un grembiule da lavoro in grado di fermare i piccoli abrasivi frammenti del pezzo. Gli occhiali di protezione devono poter fermare i frammenti volanti prodotti dalle varie operazioni. La mascherina antipolvere o respiratore devono essere capaci di filtrare le particelle generate dal lavoro. L'esposizione prolungata al rumore di alta intensità potrebbe causare la perdita dell'udito.
9. Tenere gli astanti a una distanza di sicurezza dall'area di lavoro. Chiunque entri nell'area di lavoro deve indossare l'equipaggiamento personale di protezione. I frammenti del pezzo o di un accessorio che si rompe potrebbero volare via causando incidenti fuori dall'area immediata del lavoro.
10. Posizionare il cavo di alimentazione dell'utensile discosto dall'accessorio che gira. Se si perde il controllo dell'utensile, il cavo potrebbe essere tagliato o rimanere impigliato, e la mano o il braccio potrebbero essere attirati nell'accessorio che gira.
11. Non si deve mai posare l'utensile elettrico finché l'accessorio non si è fermato completamente. L'accessorio che gira potrebbe fare presa sulla superficie causando la perdita di controllo dell'utensile elettrico.
12. Non si deve far funzionare l'utensile elettrico mentre lo si trasporta sul proprio fianco. Il contatto accidentale con l'accessorio che gira potrebbe fare presa sul vestito spingendo l'accessorio nel corpo.
13. Pulire regolarmente le aperture di ventilazione dell'utensile elettrico. La ventola del motore attira la polvere all'interno dell'alloggiamento, e l'accumulazione eccessiva della polvere di metallo potrebbe causare pericoli elettrici.
14. Non far funzionare l'utensile elettrico vicino a materiali infiammabili. Le scintille potrebbero infiammare tali materiali.
15. Non si devono usare accessori che richiedono refrigeranti liquidi. L'impiego di acqua o di altri refrigeranti liquidi potrebbe causare elettrocuzione o scosse elettriche.

Contraccolpi e relativi avvertimenti

Il contraccolpo è una improvvisa reazione a un disco rotante incastrato od ostacolato, tampone di rinforzo, spazzola o un qualsiasi altro accessorio. L'incastramento o l'ostacolazione causano il rapido stallo dell'accessorio rotante, che a sua volta causa la spinta dell'utensile elettrico senza controllo nella direzione opposta della rotazione dell'accessorio sul punto dell'inceppamento. Il contraccolpo è il risultato dell'uso sbagliato dell'utensile elettrico e/o delle procedure o condizioni sbagliate di funzionamento, e può essere evitato prendendo le precauzioni appropriate come indicato di seguito.

- Tenere saldamente l'utensile elettrico e posizionare il corpo e le braccia in modo da poter resistere alla forza del contraccolpo. Per il massimo controllo del contraccolpo o della reazione alla coppia di avviamento, usare sempre il manico ausiliario, se fornito.** Prendendo le precauzioni appropriate, l'operatore può controllare la reazione alla coppia di avviamento e la forza del contraccolpo.
- Non si devono mai mettere le mani vicino all'accessorio rotante.** Si potrebbe verificare un contraccolpo dell'accessorio sulle mani.
- Non si deve posizionare il corpo nell'area di spostamento dell'utensile elettrico se si verifica un contraccolpo.** Il contraccolpo spinge l'utensile nella direzione opposta al movimento del disco sul punto dell'inceppamento.
- Fare particolarmente attenzione lavorando gli angoli, i bordi affilati, ecc. Evitare di far rimbalzare o di ostacolare l'accessorio.** Gli angoli, i bordi affilati o i rimbalzi tendono a inceppare l'accessorio rotante causando una perdita di controllo o un contraccolpo.
- Non si devono attaccare una lama di intaglio del legno per sega a catena o una lama dentata.** Tali lame causano frequenti contraccolpi e perdite di controllo.

Avvertimenti specifici per la sicurezza per le operazioni di lucidatura:

- Evitare che una qualsiasi parte della cuffia di lucidatura o i suoi lacci accessori girino a vuoto. Riporre o ridurre qualsiasi laccio accessorio allentato.** I lacci accessori allentati e che girano possono impigliarsi sulle dita o incepparsi sul pezzo.

Avvertimenti per la sicurezza supplementari:

- Non lasciare solo l'utensile mentre funziona. Farlo funzionare soltanto tenendolo in mano.**
- Accertarsi che il pezzo sia supportato in modo appropriato.**
- Se il posto di lavoro è estremamente caldo e umido, oppure molto contaminato da polveri conduttive, usare un interruttore di corto circuito (30 mA) per garantire la sicurezza dell'operatore.**
- L'utensile non deve essere usato su materiali contenenti amianto.**

CONSERVATE QUESTE ISTRUZIONI.

⚠ AVVERTIMENTO:

NON lasciare che comodità o la familiarità d'utilizzo con il prodotto (acquisita con l'uso ripetuto) sostituisca la stretta osservanza delle norme di sicurezza. L'utilizzo SBAGLIATO o la mancata osservanza delle norme di sicurezza di questo manuale di istruzioni potrebbero causare lesioni serie.

DESCRIZIONE FUNZIONALE

⚠ ATTENZIONE:

- Accertarsi sempre che l'utensile sia spento e staccato dalla presa di corrente prima di regolarlo o di controllare il suo funzionamento.

Bloccaggio dell'albero (Fig. 1)

⚠ ATTENZIONE:

- Evitate sempre di azionare il bloccaggio dell'albero mentre il mandrino si muove, perché potreste danneggiare l'utensile.

Premete il bloccaggio dell'albero per impedire la rotazione del mandrino durante l'installazione o la rimozione degli accessori.

Azionamento dell'interruttore (Fig. 2)

⚠ ATTENZIONE:

- Prima di collegare l'utensile alla presa di corrente, accertatevi sempre che l'interruttore a grilletto funzioni normalmente e che torni sulla posizione "OFF" quando viene rilasciato.
- Durante l'uso prolungato l'interruttore può essere bloccato sulla posizione "ON" per la comodità dell'operatore. Fare attenzione quando si blocca l'utensile sulla posizione "ON", e mantenere una presa salda su di esso.

Per avviare l'utensile, schiacciare semplicemente l'interruttore a grilletto. La velocità dell'utensile si aumenta aumentando la pressione sull'interruttore. Rilasciare l'interruttore a grilletto per arrestare l'utensile. Per il funzionamento continuo, schiacciare l'interruttore a grilletto e spingere dentro il bottone di bloccaggio.

Per arrestare l'utensile dalla posizione di bloccaggio, schiacciare completamente l'interruttore a grilletto e rilasciarlo.

Ghiera di regolazione velocità (Fig. 3)

La velocità dell'utensile può essere cambiata girando la ghiera di regolazione della velocità su un dato numero di regolazione da 1 a 6. (Al momento in cui si schiaccia completamente l'interruttore a grilletto.)

Le velocità più alte si ottengono girando la leva nella direzione del numero 6. Le velocità più basse si ottengono girando la leva nella direzione del numero 1.

Per il rapporto tra i numeri delle regolazioni della ghiera e la velocità approssimativa dell'utensile, riferirsi alla tabella.

Numero	min ⁻¹ (Giri/min.)
1	600
2	900
3	1.500
4	2.100
5	2.700
6	3.200

014945

⚠ ATTENZIONE:

- Se si fa funzionare continuamente l'utensile alle basse velocità per un lungo periodo di tempo, il motore si surriscalda e potrebbe causare un malfunzionamento.
- La ghiera di regolazione della velocità può essere girata soltanto fino a 6 e indietro fino a 1. Non forzarla oltre il 6 o l'1, perché altrimenti la regolazione della velocità potrebbe diventare impossibile.

MONTAGGIO

⚠ ATTENZIONE:

- Accertarsi sempre che l'utensile sia spento e staccato dalla presa di corrente prima di un qualsiasi intervento su di esso.
- Installare sempre il manico ad anello o l'impugnatura laterale.

Rimozione o installazione del coperchio testa (Fig. 4)

Per rimuovere il coperchio della testa, procedere con i passi seguenti:

1. Togliere le vite sul coperchio della testa con un cacciavite.
2. Rimuovere il coperchio della testa come mostrato nella illustrazione.

Per installare il coperchio della testa, seguire il procedimento inverso dei passi sopra.

Installazione del manico ad anello (accessorio opzionale)

⚠ ATTENZIONE:

- Accertarsi sempre che il manico ad anello sia installato saldamente prima di cominciare un lavoro.

Installate sempre il manico ad anello sull'utensile prima di farlo funzionare. Tenete saldamente il manico dell'interruttore dell'utensile e il manico ad anello con entrambe le mani durante la lavorazione.

Installate il manico ad anello in modo che le sporgenze entrino nei fori corrispondenti della scatola dell'ingranaggio. (Fig. 5)

Installate i bulloni e stringeteli con la chiave esagonale. Il manico ad anello può essere installato in due direzioni diverse, come mostrato nelle illustrazioni, in modo da poter selezionare quella più comoda per il lavoro. (Fig. 6 e 7)

Per gli utensili dotati di un platorello di appoggio

Installazione o rimozione del tampone di lana (accessorio opzionale) (Fig. 8)

Per installare il tampone di lana, togliete prima lo sporco e le sostanze estranee dal platorello di appoggio. Premete il bloccaggio dell'albero e avvitate il platorello di appoggio sul mandrino. Inserite il manicotto 18 nel foro centrale del platorello di appoggio.

Usando il manicotto 18 come guida di posizionamento, installate il tampone di lana sul platorello di appoggio con il manicotto 18 inserito nel foro centrale del tampone di lana. Rimuovete poi il manicotto 18 dal platorello di appoggio.

Per rimuovere il tampone di lana, strappatelo via semplicemente dal platorello di appoggio. Svitare poi il platorello di appoggio premendo il bloccaggio dell'albero.

Per gli utensili dotati di un tampone di gomma

Installazione o rimozione del cappello di lana (accessorio opzionale)

Montare il tampone di gomma sul mandrino. Avvitare il controdatto sul mandrino. (Fig. 9)

Per stringere il controdatto, premere decisamente il blocco dell'albero in modo che il mandrino non possa girare, usare poi la chiave per controdatto e stringere saldamente in senso orario.

Per rimuovere il tampone di gomma, seguire il procedimento inverso di installazione. (Fig. 10)

Montare il cappello di lana sul tampone di gomma. Fare un nodo e spingere dentro tra il cappello di lana e il tampone di gomma il nodo e qualsiasi filo allentato. (Fig. 11)

Installazione dell'impugnatura laterale (accessorio opzionale) (Fig. 12)

⚠ ATTENZIONE:

- Accertarsi sempre che l'impugnatura laterale sia installata saldamente prima di cominciare un lavoro.

Avvitare saldamente l'impugnatura laterale sulla posizione dell'utensile come mostrato nella illustrazione.

FUNZIONAMENTO

Operazione di lucidatura (Fig. 13)

⚠ ATTENZIONE:

- Indossare sempre gli occhiali e la maschera di protezione durante il lavoro.

Tenere saldamente l'utensile. Accendere l'utensile e applicare il tampone/cappello di lana sul pezzo.

Mantenere generalmente il tampone/cappello di lana a un angolo di circa 15 gradi rispetto alla superficie del pezzo.

Applicare soltanto una leggera pressione. Una pressione eccessiva produce prestazioni scarse e causa l'usura prematura del tampone/cappello di lana.

MANUTENZIONE

⚠ ATTENZIONE:

- Accertarsi sempre che l'utensile sia spento e staccato dalla presa di corrente prima di eseguire l'ispezione o la manutenzione.
- Mai usare benzina, benzene, solventi, alcol e altre sostanze simili. Potrebbero causare scolorimenti, deformazioni o crepe.

Pulizia del coperchio antipolvere (Fig. 14)

Pulire il coperchio antipolvere, quando necessario, procedendo con i passi seguenti:

1. Togliere la vite sul coperchio antipolvere.
 2. Rimuovere il coperchio antipolvere.
 3. Strofinare il coperchio antipolvere per togliere lo sporco.
 4. Allineare il gancio del coperchio antipolvere sulla scanalatura del manico.
 5. Fissare il coperchio antipolvere con la vite.
- Sostituire il coperchio antipolvere se rotto o estremamente sporco.

Sostituzione delle spazzole di carbone (Fig. 15 e 16)

Rimuovere e controllare regolarmente le spazzole di carbone. Sostituirle quando sono usurate fino al segno del limite. Mantenere le spazzole di carbone pulite e libere di slittare nei portaspazzole. Entrambe le spazzole di carbone devono essere sostituite allo stesso tempo. Usare soltanto spazzole di carbone identiche.

Usare un cacciavite per rimuovere i tappi dei portaspazzole. Estrarre le spazzole di carbone usurate, inserire le nuove spazzole e fissare i tappi dei portaspazzole.

Per mantenere la SICUREZZA e l'AFFIDABILITÀ dell'utensile, le riparazioni e qualsiasi altra manutenzione o regolazione devono essere eseguite da un centro di assistenza Makita autorizzato usando sempre ricambi Makita.

ACCESSORI OPZIONALI

⚠ ATTENZIONE:

- Questi accessori o attrezzi sono consigliati per l'uso con l'utensile Makita specificato in questo manuale. L'impiego di altri accessori o attrezzi può costituire un rischio di lesioni alle persone. Usare gli accessori soltanto per il loro scopo prefissato.

Per maggiori dettagli e l'assistenza, rivolgersi al centro assistenza Makita locale.

- Controdatto 48
- Chiave controdatto 28
- Tampone di spugna (gancio e anello)
- Tampone di lana 180 (gancio e anello)
- Platorello di appoggio 165 (gancio e anello)
- Manicotto 18
- Impugnatura laterale (manico ausiliario)
- Manico ad anello
- Coperchio testa

NOTA:

- Alcuni articoli nella lista potrebbero essere inclusi nell'imballo dell'utensile come accessori standard. Essi potrebbero differire da paese a paese.

ENG905-1

Rumore

Il tipico livello di rumore pesato A determinato secondo EN60745:

Livello pressione sonora (L_{pA}): 83 dB (A)

Livello potenza sonora (L_{WA}): 94 dB (A)

Incertezza (K): 3 dB (A)

Indossare i paraorecchi

Vibrazione

Il valore totale di vibrazione (somma vettore triassiale) determinato secondo EN60745:

Modalità operativa: lucidatura

Emissione di vibrazione ($a_{h,p}$): 2,5 m/s² o meno

Incertezza (K): 1,5 m/s²

ENG902-1

- Il valore di emissione delle vibrazioni dichiarato è stato misurato conformemente al metodo di test standard, e può essere usato per paragonare un utensile con un altro.
- Il valore di emissione delle vibrazioni dichiarato può anche essere usato per una valutazione preliminare dell'esposizione.
- Il valore di emissione delle vibrazioni dichiarato viene usato per le applicazioni principali dell'utensile elettrico. Se però l'utensile elettrico viene usato per altre applicazioni, il valore di emissione delle vibrazioni potrebbe essere diverso.

 **AVVERTIMENTO:**

- L'emissione delle vibrazioni durante l'uso reale dell'utensile elettrico può differire dal valore di emissione dichiarato a seconda dei modi in cui viene usato l'utensile.
- Identificare le misure di sicurezza per la protezione dell'operatore basate sulla stima dell'esposizione nelle condizioni reali d'utilizzo (tenendo presente tutte le parti del ciclo operativo, come le volte in cui l'utensile viene spento e quando gira a vuoto, oltre al tempo di funzionamento).

DICHIARAZIONE DI CONFORMITÀ CE**Solo per i paesi europei**

La dichiarazione di conformità CE è inclusa come Allegato A al presente manuale di istruzioni.

Verklaring van algemene gegevens

1 Asvergrendeling	9 Pasgat in tandwielhuis	17 Wollen kap
2 Vastzetknop	10 D-handgreep	18 Borgmoer
3 Trekschakelaar	11 Inbusleutel	19 Rubberschijf
4 Toerentalregelknop	12 Bout	20 Borgmoersleutel
5 Kopafdekking	13 Wollen poetsschijf	21 Stofkap
6 Schroef	14 Bus 18	22 Limietmarkering
7 Schroevendraaier	15 Steunschijf	23 Borstelhouderdop
8 Uitsteeksel op handvat	16 As	

TECHNISCHE GEGEVENS

Model		9237CB
Max. capaciteit	Wollen poetsschijf	180 mm
	Wollen kap	180 mm
Asschroefdraad		M14 of 5/8-inch (per land bepaald)
Nominiaal toerental (n) / Onbelast toerental (n ₀)		3 200 min ⁻¹
Totale lengte		431 mm
Netto gewicht		3,3 - 3,5 kg
Veiligheidsklasse		□ / II

GEB038-3

- In verband met ononderbroken research en ontwikkeling behouden wij ons het recht voor bovenstaande technische gegevens te wijzigen zonder voorafgaande kennisgeving.
- De technische gegevens kunnen van land tot land verschillen.
- Het gewicht kan verschillen afhankelijk van de hulpstukken. De lichtste en zwaarste combinatie, volgens EPTA-procedure 01/2014, worden vermeld in de tabel.

VEILIGHEIDSWAARSCHUWINGEN SPECIFIEK VOOR EEN POLIJSTMACHINE

Gemeenschappelijke veiligheidswaarschuwingen voor polijstwerkzaamheden:

- 1. Dit elektrisch gereedschap is bedoeld voor gebruik als een polijstmachine. Lees alle veiligheidswaarschuwingen, instructies, afbeeldingen en technische gegevens die bij dit elektrisch gereedschap worden geleverd.** Als u nalaat alle onderstaande instructies te volgen, kan dit leiden tot een elektrische schok, brand en/of ernstig letsel.
- 2. Wij adviseren u werkzaamheden zoals slijpen, schuren, draadborstelen of doorslijpen niet uit te voeren met dit elektrisch gereedschap.** Werkzaamheden waarvoor dit elektrisch gereedschap niet is bedoeld kunnen gevaarlijke situaties opleveren en tot persoonlijk letsel leiden.
- 3. Gebruik geen accessoires die niet specifiek zijn ontworpen en aanbevolen door de fabrikant van het gereedschap.** Ook wanneer het accessoire kan worden bevestigd op uw elektrisch gereedschap, is een veilige werking niet gegarandeerd.
- 4. Het nominaal toerental van het accessoire moet minstens gelijk zijn aan het maximumtoerental vermeld op het elektrisch gereedschap.** Accessoires die met een hoger toerental draaien dan hun nominaal toerental kunnen stuk breken en in het rond vliegen.
- 5. De buitendiameter en de dikte van het accessoire moet binnen het capaciteitsbereik van het elektrisch gereedschap vallen.** Accessoires met verkeerde afmetingen kunnen niet afdoende worden afgeschermd of beheerst.

ENE087-1

Doeleinden van gebruik

Het gereedschap is bedoeld voor polijsten.

ENF002-2

Stroomvoorziening

Het gereedschap mag alleen worden aangesloten op een stroombron van hetzelfde voltage als aangegeven op de naamplaat, en kan alleen op enkel-fase wisselstroom worden gebruikt. Het gereedschap is dubbel-geïsoleerd en kan derhalve ook op een niet-geaard stopcontact worden aangesloten.

GEA010-1

Algemene veiligheidswaarschuwingen voor elektrisch gereedschap

⚠ WAARSCHUWING! Lees alle veiligheidswaarschuwingen en alle instructies. Het niet volgen van de waarschuwingen en instructies kan leiden tot elektrische schokken, brand en/of ernstig letsel.

Bewaar alle waarschuwingen en instructies om in de toekomst te kunnen raadplegen.

6. Bij schroefbare accessoires moet de schroefdraad precies passen op de asschroefdraad van het gereedschap. Bij accessoires met een flensverbinding moet de asdiameter overeenkomen met de aanpassingsdiameter van de flens. Accessoires die niet precies passen op het elektrisch gereedschap zullen niet in balans draaien, buitensporig trillen en kunnen leiden tot verlies van controle over het gereedschap.
 7. **Gebruik nooit een beschadigd accessoire. Inspecteer vóór elk gebruik het accessoire zoals een rugschijf op barsten, scheuren of overmatige slijtage. Nadat het elektrisch gereedschap of accessoire is gevallen, inspecteert u het op schade of monteert u een onbeschadigd accessoire. Na inspectie en montage van een accessoire, zorgt u ervoor dat u en omstanders niet in het rotatie vlak van het accessoire staan, en laat u het elektrisch gereedschap draaien op het maximaal, onbelast toerental gedurende één minuut.** Beschadigde accessoire breken normaal gesproken in stukken gedurende deze testduur.
 8. **Gebruik persoonlijke-veiligheidsmiddelen. Afhankelijk van de toepassing gebruikt u een gezichtsscherm, een beschermende bril of een veiligheidsbril. Al naar gelang van toepassing draagt u een stofmasker, gehoorbeschermers, handschoenen en een werkschort die in staat zijn kleine stukjes slijpsel of werkstukfragmenten te weerstaan.** De oogbescherming moet in staat zijn rondvliegend afval te stoppen dat ontstaat bij de diverse werkzaamheden. Het stofmasker of ademhalingsapparaat moet in staat zijn deeltjes te filteren die ontstaat bij de werkzaamheden. Langdurige blootstelling aan zeer intens geluid kan leiden tot gehoorbeschadiging.
 9. **Houd omstanders op veilige afstand van het werkgebied. Iedereen die zich binnen het werkgebied begeeft, moet persoonlijke-veiligheidsmiddelen gebruiken.** Fragmenten van het werkstuk of van een uiteengevallen accessoire kunnen rondvliegen en letsel veroorzaken buiten de onmiddellijke werkomgeving.
 10. **Houd het snoer goed uit de buurt van het ronddraaiende accessoire.** Als u de controle verliest over het gereedschap, kan het snoer worden doorgesneden of bekneld raken, en kan uw hand of arm tegen het ronddraaiende accessoire worden aangetrokken.
 11. **Leg het elektrisch gereedschap nooit neer voordat het accessoire volledig tot stilstand is gekomen.** Het ronddraaiende accessoire kan de ondergrond pakken zodat u de controle over het elektrisch gereedschap verliest.
 12. **Laat het elektrisch gereedschap niet draaien terwijl u het naast u draagt.** Als het ronddraaiende accessoire u per ongeluk raakt, kan het verstrikt raken in uw kleding waardoor het accessoire in uw lichaam wordt getrokken.
 13. **Maak de ventilatieopeningen van het gereedschap regelmatig schoon.** De ventilator van de motor zal het stof de behuizing in trekken, wat kan leiden tot elektrisch gevaarlijke situaties.
 14. **Gebruik het elektrisch gereedschap niet in de buurt van brandbare materialen.** Vonken kunnen deze materialen doen ontvlammen.
 15. **Gebruik geen accessoires die met vloeistof moeten worden gekoeld.** Het gebruik van water of andere vloeibare koelmiddelen kan leiden tot elektrocutie of elektrische schokken.
- Terugslag en aanverwante waarschuwingen**
- Terugslag is een plotselinge reactie op een beknelde of vastgelopen draaiende schijf, steunschijf, borstel of enig ander accessoire. Beknellen of vastlopen veroorzaakt een snelle stilstand van het draaiende accessoire dat op zijn beurt ertoe leidt dat het elektrisch gereedschap zich ongecontroleerd beweegt in de tegenovergestelde richting van de draairichting van het accessoire op het moment van vastlopen.
- Terugslag is het gevolg van misgebruik van het elektrisch gereedschap en/of onjuiste gebruiksprocedures of -omstandigheden, en kan worden voorkomen door goede voorzorgsmaatregelen te treffen, zoals hieronder vermeld:
- a) **Houd het gereedschap stevig vast en houd uw armen en lichaam zodanig dat u in staat bent een terugslag op te vangen. Gebruik altijd de extra handgreep (indien aanwezig) voor een maximale controle over het gereedschap in geval van terugslag en de koppelreactiekrachten bij het starten.** De gebruiker kan een terugslag of de koppelreactiekrachten opvangen indien de juiste voorzorgsmaatregelen worden getroffen.
 - b) **Plaats uw hand nooit in de buurt van het draaiende accessoire.** Het accessoire kan terugslaan over uw hand.
 - c) **Plaats uw lichaam niet in het gebied waar het elektrisch gereedschap naar toe gaat wanneer een terugslag optreedt.** Een terugslag zal het gereedschap bewegen in de tegenovergestelde richting van de draairichting van de schijf op het moment van beknellen.
 - d) **Wees bijzonder voorzichtig bij het werken met hoeken, scherpe randen, enz. Voorkom dat het accessoire springt of bekneld raakt.** Hoeken, scherpe randen of springen veroorzaken vaak beknellen van het draaiende accessoire wat leidt tot terugslag of verlies van controle over het gereedschap.
 - e) **Bevestig geen houtbewerkingsblad van een zaagketting of getand zaagblad.** Dergelijke bladen leiden vaak tot terugslag of verlies van controle over het gereedschap.
- Veiligheidswaarschuwingen specifiek voor polijstwerkzaamheden:**
- a) **Laat geen los deel van de polijstkap of het bevestigingstouwje ervan vrij rondslingeren. Stop een los bevestigingstouwje weg of knip het af.** Een los en rondslingerend bevestigingstouwje kan zich rond uw vingers wikkelen of gegrepen worden door het werkstuk.
- Aanvullende veiligheidswaarschuwingen:**
16. **Laat het gereedschap niet ingeschakeld liggen. Bedien het gereedschap alleen wanneer u het vasthoudt.**
 17. **Controleer dat het werkstuk goed wordt ondersteund.**

18. Als de werkruimte bijzonder heet en vochtig is, of sterk vervuild is met geleidend stof, gebruik dan een kortsluitonderbreker (30 mA) om de veiligheid van de gebruiker te garanderen.
19. Gebruik het gereedschap niet op materiaal dat asbest bevat.

BEWAAR DEZE VOORSCHRIFTEN.

⚠ WAARSCHUWING:

Laat u NIET misleiden door een vals gevoel van comfort en bekendheid met het gereedschap (na veelvuldig gebruik) en neem alle veiligheidsvoorschriften van het betreffende gereedschap altijd strikt in acht. **VERKEERD GEBRUIK** of het niet naleven van de veiligheidsvoorschriften in deze gebruiksaanwijzing kan leiden tot ernstige verwondingen.

BESCHRIJVING VAN DE FUNCTIES

⚠ LET OP:

- Zorg altijd dat het gereedschap is uitgeschakeld en de stekker uit het stopcontact is verwijderd alvorens functies op het gereedschap af te stellen of te controleren.

Asvergrendeling (Fig. 1)

⚠ LET OP:

- Actieve de asvergrendeling nooit wanneer de as draait. Hierdoor kan het gereedschap namelijk worden beschadigd.

Druk op de asvergrendeling zodat de as niet kan draaien tijdens het installeren of verwijderen van accessoires.

Werking van de trekschakelaar (Fig. 2)

⚠ LET OP:

- Alvorens de machine op netstroom aan te sluiten, dient u altijd te controleren of de trekschakelaar juist werkt en bij het loslaten naar de "OFF" positie terugkeert.
- U kunt de schakelaar in de "AAN"-stand vast zetten voor meer gebruikskomfort bij lang achtereen werken. Voorzichtigheid is echter geboden wanneer u de schakelaar in de "AAN"-stand vergrendelt; houdt het gereedschap vooral stevig vast.

Om het gereedschap te starten, drukt u gewoon de trekschakelaar in. U kunt het toerental verhogen door de druk op de trekschakelaar te vermeerderen. Om het gereedschap uit te schakelen, de trekschakelaar loslaten.

Voor continue werking, drukt u de trekschakelaar in en dan drukt u de vastzetknop in.

Om de machine vanuit deze vergrendelde stand te stoppen, de trekschakelaar volledig indrukken en deze dan loslaten.

Toerentalregelknop (Fig. 3)

U kunt de draaisnelheid veranderen door de toerentalregelknop te draaien en in te stellen op een cijfer van 1 tot 6. (Op het moment dat de trekschakelaar helemaal is ingedrukt.)

De snelheid verhoogt wanneer u de draaiknop in de richting van het cijfer 6 draait. De snelheid verlaagt wanneer u deze in de richting van het cijfer 1 draait.

Zie de tabel voor de verhouding tussen de cijfers op de draaiknop en de approximatieve draaisnelheid.

Cijfer	min ⁻¹ (TPM)
1	600
2	900
3	1 500
4	2 100
5	2 700
6	3 200

014945

⚠ LET OP:

- Als het gereedschap continu gedurende een lange tijd op lage snelheid wordt gebruikt, zal de motor overbelast raken, waardoor een storing kan optreden.
- De toerentalregelknop kan niet verder dan 6 en niet verder terug dan 1 worden gedraaid. Forceer de draaiknop niet voorbij 6 of 1, aangezien de toerentalregeling dan niet meer juist zal werken.

INEENZETTEN

⚠ LET OP:

- Controleer altijd of het gereedschap is uitgeschakeld en de stekker uit het stopcontact is verwijderd voordat u enig werk aan het gereedschap uitvoert.
- Installeer altijd de D-handgreep of de zijhandgreep.

Verwijderen of aanbrengen van de kopafdekking (Fig. 4)

Om de kopafdekking te verwijderen, gaat u als volgt te werk:

- Verwijder met een schroevendraaier de schroef van de kopafdekking.
- Verwijder de kopafdekking zoals getoond in de afbeelding.

Voor het aanbrengen van de kopafdekking verricht u de bovenstaande stappen in omgekeerde volgorde.

Installeren van de D-handgreep (optioneel accessoire)

⚠ LET OP:

- Let op dat de D-handgreep altijd stevig is gemonteerd voordat u begint met werken.

Monteer vóór het gebruik altijd de D-handgreep op de machine. Wanneer u de machine gebruikt, dient u de schakelhandgreep en de D-handgreep met beide handen stevig vast te houden.

Monteer de D-handgreep zodanig dat het uitsteeksel in het pasgat in het tandwielhuis komt te zitten. (Fig. 5)

Monteer de bouten en draai deze vast met de inbussleutel. Zoals in de afbeeldingen wordt getoond, kan de D-handgreep in twee verschillende standen worden gemonteerd, al naar gelang u bij het werk beter uitkomt. (Fig. 6 en 7)

Voor werktuigen voorzien van een steunschijf:

Aanbrengen of verwijderen van de wollen poetsschijf (optioneel accessoire) (Fig. 8)

Alvorens de wollen poetsschijf te installeren, eerst alle vuil of verontreiniging van de steunschijf verwijderen. Druk op de asvergrendeling en schroef de steunschijf op de as. Steek de bus 18 in het middengat van de steunschijf.

Gebruik de bus 18 als positie-geleider en monteer de wollen poetsschijf op de steunschijf zodat de bus 18 in het middengat van de wollen poetsschijf komt te zitten. Verwijder dan de bus 18 van de steunschijf. Om de wollen poetsschijf te verwijderen, trekt u het gewoon van de steunschijf af. Schroef daarna de steunschijf los terwijl u de asvergrendeling ingedrukt houdt.

Voor werktuigen voorzien van een rubberschijf:

Aanbrengen of verwijderen van de wollen kap (optioneel accessoire)

Plaats de rubberschijf op de as. Schroef de borgmoer op de as. (Fig. 9)

Om de borgmoer vast te draaien, drukt u de asvergrendeling stevig aan zodat de as niet kan draaien en dan draait u de borgmoer met de borgmoersleutel rechtsom stevig vast.

Om de rubberschijf te verwijderen, volgt u de aanwijzingen voor het aanbrengen in omgekeerde volgorde. (Fig. 10)

Pas de wollen kap over de rubberschijf. Knoop een strik in het koordje en stop de strik en alle losse uiteinden in tussen de wollen kap en de rubberschijf. (Fig. 11)

Monteren van de zijhandgreep (het handvat) (optioneel accessoire) (Fig. 12)

⚠ LET OP:

• Let op dat de zijhandgreep altijd stevig is gemonteerd voordat u begint met werken.

Schroef de zijhandgreep stevig vast op de in de afbeelding aangegeven plaats op het gereedschap.

BEDIENING

Polijsten (Fig. 13)

⚠ LET OP:

• Draag tijdens het werk altijd een veiligheidsbril of een gezichtsbescherming.

Houd het gereedschap stevig vast. Schakel het gereedschap in en plaats dan de wollen poetsschijf/kap op uw werkstuk.

Over het algemeen houdt u de wollen poetsschijf/kap onder een hoek van ongeveer 15 graden met het oppervlak van uw werkstuk.

Oefen slechts lichte druk uit. Overmatige druk zal resulteren in mindere prestaties en vroegtijdige slijtage aan de wollen poetsschijf/kap.

ONDERHOUD

⚠ LET OP:

• Zorg altijd dat het gereedschap is uitgeschakeld en de stekker uit het stopcontact is verwijderd alvorens inspectie of onderhoud aan het gereedschap uit te voeren.

• Gebruik nooit benzine, wasbenzine, thinner, alcohol en dergelijke. Hierdoor kunnen verkleuring, vervormingen en barsten worden veroorzaakt.

Reinigen van de stofkap (Fig. 14)

Maak de stofkap schoon wanneer dat nodig is, op de volgende wijze:

1. Verwijder de schroef van de stofkap.
2. Verwijder de stofkap.
3. Veeg de stofkap schoon om het vuil te verwijderen.

4. Plaats de haak van de stofkap tegenover de groef in het handvat.

5. Zet de stofkap vast met de schroef.

Als de stofkap is gebroken of extreem vuil geworden is, vervangt u de stofkap dan.

Vervangen van de koolborstels (Fig. 15 en 16)

Verwijder en controleer regelmatig de koolborstels. Vervang de koolborstels wanneer ze tot aan de limietmarkering versleten zijn. Houd de koolborstels schoon zodat ze goed in de houders glijden. Beide koolborstels dienen tegelijkertijd te worden vervangen. Gebruik uitsluitend identieke koolborstels.

Gebruik een schroevendraaier om de borstelhouderdoppen te verwijderen. Haal de versleten borstels eruit, steek de nieuwe erin, en zet de borstelhouderdoppen weer goed vast.

Om de VEILIGHEID en BETROUWBAARHEID van het gereedschap te handhaven, dienen alle reparaties, onderhoud of afstellingen te worden uitgevoerd door een erkend Makita servicecentrum, en dit uitsluitend met gebruikmaking van originele Makita vervangingsonderdelen.

OPTIONELE ACCESSOIRES

⚠ LET OP:

• Deze accessoires of hulpstukken worden aanbevolen voor gebruik met het Makita gereedschap dat in deze gebruiksaanwijzing wordt beschreven. Het gebruik van andere accessoires of hulpstukken kan gevaar voor persoonlijke verwonding opleveren. Gebruik de accessoires of hulpstukken uitsluitend voor het gespecificeerde doel.

Wenst u meer informatie over deze accessoires, neem dan contact op met het dichtstbijzijnde Makita servicecentrum.

- Borgmoer 48
- Borgmoersleutel 28
- Schuimrubberschijf (klittenband-type)
- Wollen poetsschijf 180 (klittenband-type)
- Steunschijf 165 (klittenband-type)
- Bus 18
- Zijhandgreep (hulphandgreep)
- D-handgreep
- Kopafdekking

OPMERKING:

• Sommige onderdelen in deze lijst kunnen bij het gereedschap zijn meegeleverd als standaard-accessoires. Deze kunnen van land tot land verschillen.

ENG905-1

Geluidsniveau

De typisch, A-gewogen geluidsniveaus vastgesteld volgens EN60745:

- Geluidsdrukniveau (L_{pA}): 83 dB (A)
- Geluidsenergie-niveau (L_{WA}): 94 dB (A)
- Onnauwkeurigheid (K): 3 dB (A)

Draag oorbeschermers

Trilling

De totaalwaarde van de trillingen (triaxiale vectorsom) vastgesteld volgens EN60745:

Toepassing: polijsten

Trillingsemisatie ($a_{h, P}$): 2,5 m/s² of minder

Onnauwkeurigheid (K): 1,5 m/s²

ENG902-1

- De opgegeven trillingsemisatiewaarde is gemeten volgens de standaardtestmethode en kan worden gebruikt om dit gereedschap te vergelijken met andere gereedschappen.
- De opgegeven trillingsemisatiewaarde kan ook worden gebruikt voor een beoordeling vooraf van de blootstelling.
- De opgegeven trillingsemisatiewaarde wordt gebruikt bij veel toepassingen van het elektrisch gereedschap. Echter, indien het elektrisch gereedschap wordt gebruikt bij andere toepassingen, dan kan de trillingsemisatiewaarde anders zijn.

 **WAARSCHUWING:**

- De trillingsemisatie tijdens het gebruik van het elektrisch gereedschap in de praktijk kan verschillen van de opgegeven trillingsemisatiewaarde afhankelijk van de manier waarop het gereedschap wordt gebruikt.
- Zorg ervoor dat veiligheidsmaatregelen worden getroffen ter bescherming van de operator die zijn gebaseerd op een schatting van de blootstelling onder praktijkomstandigheden (rekening houdend met alle fasen van de bedrijfscyclus, zoals de tijdsduur gedurende welke het gereedschap is uitgeschakeld en stationair draait, naast de ingeschakelde tijdsduur).

EG-VERKLARING VAN CONFORMITEIT**Alleen voor Europese landen**

De EG-verklaring van conformiteit is bijgesloten als Aanhangsel A bij deze gebruiksaanwijzing.

Explicación de los dibujos

1 Bloqueo del eje	9 Orificio de adaptación en el alojamiento de engranajes	17 Capucha de lana
2 Botón de bloqueo	10 Mango curvado	18 Contratuerca
3 Gatillo interruptor	11 Llave hexagonal	19 Plato de caucho
4 Dial de ajuste de velocidad	12 Perno	20 Llave de contratuerca
5 Cubierta del cabezal	13 Caperuza de lana	21 Cubierta contra el polvo
6 Tornillo	14 Casquillo del 18	22 Marca límite
7 Destornillador	15 Plato de apoyo	23 Tapa de portaescobillas
8 Saliente de mango curvado	16 Eje	

ESPECIFICACIONES

Modelo		9237CB
Capacidades máximas	Caperuza de lana	180 mm
	Capucha de lana	180 mm
Rosca del mandril		M14 o 5/8" (específico para cada país)
Velocidad especificada (n)/ Velocidad en vacío (n ₀)		3.200 min ⁻¹
Longitud total		431 mm
Peso neto		3,3 - 3,5 kg
Clase de seguridad		□ /II

GEB038-3

- Debido a un programa continuo de investigación y desarrollo, las especificaciones aquí dadas están sujetas a cambios sin previo aviso.
- Las especificaciones pueden ser diferentes de país a país.
- El peso puede variar dependiendo del accesorio(s). La combinación menos pesada y la más pesada, de acuerdo con el procedimiento EPTA 01/2014, se muestran en la tabla.

ENE087-1

Uso previsto

La herramienta ha sido prevista para pulir.

ENF002-2

Alimentación

La herramienta solamente debe ser conectada a una fuente de alimentación de la misma tensión que la indicada en la placa de características, y solamente puede ser utilizada con corriente alterna monofásica. La herramienta está doblemente aislada y, por consiguiente, también puede utilizarse con tomas de corriente sin conductor de puesta a tierra.

GEA010-1

Advertencias de seguridad generales para herramientas eléctricas

⚠ ¡ADVERTENCIA! Lea todas las advertencias de seguridad y todas las instrucciones. Si no sigue todas las advertencias e instrucciones podrá ocasionar una descarga eléctrica, un incendio y/o heridas graves.

Guardé todas las advertencias e instrucciones para futuras referencias.

ADVERTENCIAS DE SEGURIDAD PARA LA PULIDORA

Advertencias de seguridad comunes para la operación de pulido:

1. **Esta herramienta eléctrica ha sido prevista para funcionar como pulidora. Lea todas las advertencias de seguridad, instrucciones, ilustraciones y especificaciones provistas con esta herramienta eléctrica.** Si no sigue todas las instrucciones indicadas a continuación, podrá ocasionar una descarga eléctrica, un incendio y/o heridas graves.
2. **Se recomienda no realizar operaciones tales como de herramienta de amolar, lijar, cepillar con grata de alambres o cortar con esta herramienta eléctrica.** La realización de operaciones para las que esta herramienta eléctrica no ha sido diseñada podrá crear un riesgo y ocasionar heridas.
3. **No utilice accesorios que no estén específicamente diseñados y recomendados por el fabricante de la herramienta.** El simple hecho de que el accesorio pueda ser instalado en su herramienta eléctrica no garantiza una operación segura.
4. **La velocidad especificada del accesorio deberá ser por lo menos igual a la máxima velocidad marcada en la herramienta eléctrica.** Los accesorios utilizados por encima de su velocidad especificada podrán romperse y salir despedidos.
5. **El diámetro exterior y el grosor de su accesorio deberán estar dentro del rango de capacidad de su herramienta eléctrica.** Los accesorios de tamaño incorrecto no podrán ser protegidos y controlados debidamente.

6. **El montaje a rosca de los accesorios deberá coincidir con la rosca del eje. Para accesorios montados con bridas, el agujero para eje del accesorio deberá encajar en el diámetro de ubicación de la brida.** Los accesorios que no coincidan con el mecanismo de montaje de la herramienta eléctrica se desequilibrarán, vibrarán excesivamente y podrán ocasionar una pérdida de control.
7. **No utilice accesorios dañados. Antes de cada uso, inspeccione el accesorio tal como el plato de goma para ver si está agrietado, rasgado o muy desgastado. Si deja caer la herramienta eléctrica o el accesorio, inspecciónelos para ver si están dañados o instale uno que no esté dañado. Después de inspeccionar e instalar un accesorio, póngase usted y cualquier curioso alejados del plano del accesorio giratorio y haga funcionar la herramienta a la máxima velocidad sin carga durante un minuto.** Los accesorios dañados normalmente se desintegrarán durante este tiempo de prueba.
8. **Póngase equipo de protección personal. En función de la aplicación, utilice pantalla facial, gafas de protección o gafas de seguridad. Según corresponda, póngase mascarilla contra el polvo, protectores auditivos, guantes y delantal de taller que pueda detener los pequeños fragmentos abrasivos que salgan despedidos de la pieza de trabajo.** La protección de los ojos deberá poder detener los desechos despedidos generados en distintas operaciones. La mascarilla contra el polvo o respirador deberá poder filtrar las partículas generadas por la operación que realice. Una exposición prolongada a ruido de alta intensidad podrá ocasionar pérdida auditiva.
9. **Mantenga a los curiosos a una distancia segura del área de trabajo. Cualquier persona que entre en el área de trabajo deberá ponerse equipo de protección personal.** Los fragmentos de la pieza de trabajo o de un accesorio roto podrán salir despedidos y ocasionar heridas más allá del área de operación.
10. **Coloque el cable de alimentación apartado del accesorio giratorio.** Si pierde el control, el cable de alimentación podrá ser cortado o enredado y su mano o brazo ser arrastrado hacia el accesorio giratorio.
11. **No deje nunca la herramienta eléctrica hasta que el accesorio se haya detenido completamente.** El accesorio giratorio podrá agarrarse a la superficie y tirar de la herramienta eléctrica haciéndole perder el control de la misma.
12. **No tenga en marcha la herramienta eléctrica mientras la trasporta en su costado.** Un contacto accidental con el accesorio giratorio podrá enredar sus ropas, y atraer el accesorio hacia su cuerpo.
13. **Limpie regularmente los orificios de ventilación de la herramienta eléctrica.** El ventilador del motor conducirá el polvo hacia el interior de la carcasa y una acumulación excesiva de metal en polvo podrá ocasionar peligros eléctricos.
14. **No utilice la herramienta eléctrica cerca de materiales inflamables.** Las chispas podrán encender estos materiales.

15. **No utilice accesorios que requieran refrigerantes líquidos.** La utilización de agua u otros refrigerantes líquidos podrá resultar en una descarga eléctrica o electrocución.

Advertencias sobre retrocesos bruscos y otros peligros relacionados

El retroceso brusco es una reacción repentina debida a un aprisionamiento o estancamiento del disco, plato de apoyo, cepillo o cualquier otro accesorio giratorio. El aprisionamiento o estancamiento ocasiona un detenimiento rápido del accesorio giratorio que a su vez hace que la herramienta eléctrica descontrolada sea forzada en dirección opuesta a la rotación del accesorio en el punto de bloqueo.

El retroceso brusco es el resultado de un mal manejo de la herramienta eléctrica y/o procedimientos o condiciones de operación incorrectos y pueden evitarse tomando las precauciones apropiadas ofrecidas a continuación.

- a) **Mantenga agarrada firmemente la herramienta eléctrica y coloque su cuerpo y brazo de forma que le permitan resistir las fuerzas del retroceso brusco. Utilice siempre el mango auxiliar, si está provisto, para tener el máximo control sobre el retroceso brusco o reacción de torsión durante la puesta en marcha.** El operario puede controlar las reacciones de torsión o fuerzas del retroceso brusco, si toma las precauciones adecuadas.
- b) **No ponga nunca su mano cerca del accesorio giratorio.** El accesorio podrá retroceder bruscamente sobre su mano.
- c) **No ponga su cuerpo en el área donde vaya a desplazarse la herramienta eléctrica si ocurre un retroceso brusco.** El retroceso brusco propulsará la herramienta en dirección opuesta al movimiento del disco en el punto del enredo.
- d) **Tenga cuidado especial cuando trabaje esquinas, bordes afilados, etc. Evite que el accesorio rebote o se enrede.** Las esquinas, bordes afilados o los rebotes tienen una tendencia a enredar el accesorio giratorio y causar una pérdida de control o retroceso brusco.
- e) **No coloque un disco de tallar madera de cadena de sierra ni un disco de sierra dentado.** Tales discos crean retrocesos bruscos y pérdida de control frecuentes.

Advertencias de seguridad específicas para operaciones de pulido:

- a) **No permita que ninguna parte suelta de la caperuza de pulir o sus cuerdas de sujeción giren libremente. Recoja o recorte cualquier cuerda de sujeción suelta.** Las cuerdas de sujeción sueltas y girando pueden engancharse en sus dedos o enredarse en la pieza de trabajo.

Advertencias de seguridad adicionales:

16. **No deje la herramienta en marcha. Tenga en marcha la herramienta solamente cuando la tenga en la mano.**
17. **Compruebe que la pieza de trabajo esté debidamente apoyada.**

18. Si el lugar de trabajo es muy caluroso y húmedo, o si está muy contaminado con polvo conductor, utilice un disyuntor (30 mA) para garantizar la seguridad del operario.

19. No utilice la herramienta con ningún material que contenga asbestos.

GUARDE ESTAS INSTRUCCIONES.

⚠ ADVERTENCIA:

NO deje que la comodidad o familiaridad con el producto (a base de utilizarlo repetidamente) sustituya la estricta observancia de las normas de seguridad para el producto en cuestión. El MAL USO o el no seguir las normas de seguridad establecidas en este manual de instrucciones podrá ocasionar graves heridas personales.

DESCRIPCIÓN FUNCIONAL

⚠ PRECAUCIÓN:

• Asegúrese siempre de que la herramienta esté apagada y desenchufada antes de ajustar o comprobar cualquier función de la herramienta.

Bloqueo del eje (Fig. 1)

⚠ PRECAUCIÓN:

• Nunca accione el bloqueo del eje cuando el eje esté girando. Podría dañar la herramienta.

Presione el bloqueo del eje para impedir el giro del vástago cuando instale o desmonte accesorios.

Accionamiento del interruptor (Fig. 2)

⚠ PRECAUCIÓN:

- Antes de enchufar la herramienta, compruebe siempre que el interruptor de gatillo se acciona correctamente y regresa a la posición "OFF" cuando se libera.
- El interruptor puede ser bloqueado en la posición "ON" para mayor comodidad del operario durante una utilización prolongada. Tenga precaución cuando bloquee la herramienta en la posición "ON" y mantenga la herramienta firmemente empuñada.

Para encender la herramienta, simplemente presione el interruptor de gatillo. La velocidad de la máquina aumenta incrementando la presión ejercida en el interruptor de gatillo. Suelte el interruptor de gatillo para apagar la herramienta.

Para una operación continua, presione el interruptor de gatillo y luego empuje el botón de bloqueo.

Para parar la herramienta cuando funciona en la posición de bloqueo, presione el interruptor de gatillo completamente y suéltelo.

Dial de ajuste de velocidad (Fig. 3)

La velocidad de herramienta puede cambiarse girando el dial de ajuste de velocidad hasta un número de ajuste dado de 1 a 6. (En el momento cuando se aprieta a fondo el interruptor de gatillo.)

Girando el dial en dirección del número 6 se obtiene una velocidad más alta. Y girándolo hacia el número 1 se obtiene una velocidad más baja.

Consulte la tabla para ver la relación existente entre los números de ajuste del dial y la velocidad de herramienta aproximada.

Número	min ⁻¹ (RPM)
1	600
2	900
3	1.500
4	2.100
5	2.700
6	3.200

014945

⚠ PRECAUCIÓN:

- Si la herramienta es utilizada continuamente a velocidades bajas durante largo tiempo, el motor se sobrecargará resultando en un mal funcionamiento de la herramienta.
- El dial de ajuste de velocidad sólo puede ser girado hasta 6 y retornar hasta 1. No lo fuerce a pasar del 6 o del 1, porque estropeará la función de ajuste de velocidad y no se podrá volver a utilizar.

MONTAJE

⚠ PRECAUCIÓN:

- Asegúrese siempre de que la herramienta esté apagada y desenchufada antes de realizar cualquier trabajo en la herramienta.
- Instale siempre el mango curvado o la empuñadura lateral.

Desmontaje o instalación de la cubierta del cabezal (Fig. 4)

Para desmontar la cubierta del cabezal, realice los pasos siguientes:

1. Retire los tornillos de la cubierta del cabezal con un destornillador.
2. Retire la cubierta del cabezal como se muestra en la figura.

Para instalar la cubierta del cabezal, realice los pasos de arriba a la inversa.

Instalación del mango curvado (acesorio opcional)

⚠ PRECAUCIÓN:

- Antes de la operación, asegúrese siempre de que el mango curvado está instalado firmemente.

Instale siempre el mango curvado en la herramienta antes de la operación. Coja firmemente la herramienta con ambas manos por la empuñadura del interruptor y por el mango curvado durante la operación.

Instale el mango curvado de forma que su saliente encaje en el orificio de adaptación en el alojamiento de engranajes. (Fig. 5)

Instale los pernos y apriételos con la llave hexagonal. El mango curvado se puede instalar en dos direcciones diferentes como se muestra en las figuras pudiendo elegir la que resulte más cómoda para su tarea. (Fig. 6 y 7)

Para herramientas que están equipadas con un plato de apoyo

Instalación o desmontaje de la caperuza de lana (accesorio opcional) (Fig. 8)

Para instalar la caperuza de lana, limpie la suciedad y el polvo de del plato de apoyo. Presione el bloqueo del eje y rosque el plato de apoyo en el eje. Inserte el casquillo del 18 en el orificio central del plato de apoyo.

Utilizando el casquillo del 18 como guía de posicionamiento, instale la caperuza de lana en el plato de apoyo con el casquillo del 18 insertado a través del orificio central de la caperuza de lana. Luego retire el casquillo del 18 del plato de apoyo.

Para quitar la caperuza de lana, despréndala simplemente del plato de apoyo. Luego desenrosque el plato de apoyo a la vez que presiona el bloqueo del eje.

Para herramientas que están equipadas con un plato de caucho

Instalación o desmontaje de la capucha de lana (accesorio opcional)

Monte el plato de caucho en el eje. Rosque la contratuerca en el eje. (Fig. 9)

Para apretar la contratuerca, presione el bloqueo del eje firmemente para que el eje no pueda girar, después apriete firmemente hacia la derecha utilizando la llave de contratuerca.

Para retirar el plato de caucho, siga el procedimiento de instalación a la inversa. (Fig. 10)

Coloque la capucha de lana sobre el plato de caucho. Haga un nudo de lazo y meta el nudo y cualquier hilo suelto entre la capucha de lana y el plato de caucho. (Fig. 11)

Instalación de la empuñadura lateral (mango) (accesorio opcional) (Fig. 12)

⚠ PRECAUCIÓN:

• Antes de la operación, asegúrese siempre de que la empuñadura lateral está instalada firmemente.

Enrosque la empuñadura lateral firmemente en la posición de la herramienta mostrada en la figura.

OPERACIÓN

Operación de pulido (Fig. 13)

⚠ PRECAUCIÓN:

• Póngase siempre gafas de seguridad o máscara facial durante la tarea.

Sujete la herramienta firmemente. Encienda la herramienta y después aplique la caperuza/capucha de lana a la pieza de trabajo.

En general, mantenga la caperuza/capucha de lana a un ángulo de unos 15 grados con la superficie de la pieza de trabajo.

Aplique una ligera presión solamente. Una presión excesiva resultará en un rendimiento deficiente y en un desgaste prematuro de la caperuza/capucha de lana.

MANTENIMIENTO

⚠ PRECAUCIÓN:

• Asegúrese siempre de que la herramienta esté apagada y desenchufada antes de intentar realizar una inspección o mantenimiento.

• No utilice nunca gasolina, bencina, disolvente, alcohol o similares. Podría producir descoloración, deformación o grietas.

Limpieza de la cubierta contra el polvo (Fig. 14)

Limpie la cubierta contra el polvo cuando sea necesario siguiendo los pasos siguientes:

1. Retire los tornillos de la cubierta contra el polvo.
2. Retire la cubierta contra el polvo.
3. Limpie la cubierta contra el polvo para quitar la suciedad.
4. Alinee el gancho de la cubierta contra el polvo con la ranura en el mango.
5. Apriete la cubierta contra el polvo con los tornillos.

Si la cubierta contra el polvo está rota o excesivamente sucia, reemplácela.

Reemplazo de las escobillas de carbón (Fig. 15 y 16)

Extraiga e inspeccione las escobillas de carbón regularmente. Reemplácelas cuando se hayan desgastado hasta la marca límite. Mantenga las escobillas de carbón limpias de forma que entren libremente en los portaescobillas. Deberán reemplazarse ambas escobillas de carbón al mismo tiempo. Utilice únicamente escobillas de carbón idénticas.

Utilice un destornillador para quitar los tapones portaescobillas. Extraiga las escobillas de carbón desgastadas, inserte las nuevas y vuelva a colocar los tapones portaescobillas.

Para mantener la SEGURIDAD y FIABILIDAD del producto, las reparaciones, y otras tareas de mantenimiento o ajuste deberán ser realizadas en centros de servicio autorizados por Makita, empleando siempre repuestos Makita.

ACCESORIOS OPCIONALES

⚠ PRECAUCIÓN:

• Estos accesorios o acoplamientos están recomendados para utilizar con la herramienta Makita especificada en este manual. El empleo de otros accesorios o acoplamientos conllevará un riesgo de sufrir heridas personales. Utilice los accesorios o acoplamientos solamente para su fin establecido.

Si necesita cualquier ayuda para más detalles en relación con estos accesorios, pregunte al centro de servicio Makita local.

- Contratuerca 48
- Llave de contratuerca 28
- Boina de esponja (gancho y lazo)
- Caperuza de lana 180 (gancho y lazo)
- Plato de apoyo 165 (gancho y lazo)
- Casquillo del 18
- Empuñadura lateral (mango auxiliar)
- Mango curvado
- Cubierta del cabezal

NOTA:

• Algunos elementos de la lista podrán estar incluidos en el paquete de la herramienta como accesorios estándar. Pueden variar de un país a otro.

Ruido

El nivel de ruido A-ponderado típico determinado de acuerdo con la norma EN60745:

Nivel de presión sonora (L_{pA}): 83 dB (A)

Nivel de potencia sonora (L_{WA}): 94 dB (A)

Error (K): 3 dB (A)

Póngase protectores en los oídos

ENG900-1

Vibración

El valor total de la vibración (suma de vectores triaxiales) determinado de acuerdo con la norma EN60745:

Modo tarea: pulido

Emisión de vibración ($a_{n,P}$): 2,5 m/s² o menos

Error (K): 1,5 m/s²

ENG902-1

- El valor de emisión de vibración declarado ha sido medido de acuerdo con el método de prueba estándar y se puede utilizar para comparar una herramienta con otra.
- El valor de emisión de vibración declarado también se puede utilizar en una valoración preliminar de exposición.
- El valor de emisión de vibración declarado se utiliza para las principales aplicaciones de la herramienta eléctrica. Sin embargo, si la herramienta se utiliza para otras aplicaciones, los valores de emisión de vibración pueden ser diferentes.

⚠ ADVERTENCIA:

- La emisión de vibración durante la utilización real de la herramienta eléctrica puede variar del valor de emisión declarado dependiendo de las formas en las que la herramienta sea utilizada.
- Asegúrese de identificar medidas de seguridad para proteger al operario que estén basadas en una estimación de la exposición en las condiciones reales de utilización (teniendo en cuenta todas las partes del ciclo operativo tal como las veces cuando la herramienta está apagada y cuando está funcionando en vacío además del tiempo de gatillo).

DECLARACIÓN CE DE CONFORMIDAD**Sólo para países europeos**

La declaración CE de conformidad está incluida como Anexo A de este manual de instrucciones.

Explicação geral

1 Bloqueio do veio	9 Orifício correspondente na caixa do motor	17 Touca de lâ
2 Botão de bloqueio	10 Pega auxiliar	18 Porca de bloqueio
3 Gatilho do interruptor	11 Chave hexagonal	19 Almofada de borracha
4 Marcador de regulação da velocidade	12 Perno	20 Chave para porca de bloqueio
5 Tampa da cabeça	13 Almofada de lâ	21 Protecção contra poeira
6 Parafuso	14 Casquilho 18	22 Marca limite
7 Chave de parafusos	15 Almofada de protecção	23 Tampa do porta-escovas
8 Saliência na pega auxiliar	16 Fuso	

ESPECIFICAÇÕES

Modelo		9237CB
Capacidades Máximas	Almofada de lâ	180 mm
	Touca de lâ	180 mm
Rosca do eixo		M14 ou 5/8" (específico para o país)
Velocidade nominal (n)/ Velocidade em vazio (n ₀)		3.200 min ⁻¹
Comprimento total		431 mm
Peso líquido		3,3 - 3,5 kg
Classe de segurança		II / II

GEB038-3

- Devido a um programa contínuo de pesquisa e desenvolvimento, estas especificações podem ser alteradas sem aviso prévio.
- As especificações podem variar de país para país.
- O peso poderá diferir em função do(s) acessório(s). A combinação mais leve e a mais pesada, de acordo com o Procedimento EPTA 01/2014, são apresentadas na tabela.

ENE087-1

Utilização pretendida

Esta ferramenta foi concebida para trabalho de polimento.

ENF002-2

Alimentação

A ferramenta só deve ser ligada a uma fonte de alimentação com a mesma voltagem da indicada na placa de características, e só funciona com alimentação CA monofásica. Tem um sistema de isolamento duplo e pode, por isso, utilizar também tomadas sem ligação à terra.

GEA010-1

Avisos gerais de segurança para ferramentas eléctricas

⚠ AVISO! Leia todos os avisos de segurança e todas as instruções. O não cumprimento de todos os avisos e instruções pode originar choque eléctrico, incêndio e/ou ferimentos graves.

Guarde todos os avisos e instruções para futuras referências.

ADVERTÊNCIAS DE SEGURANÇA DA POLITRIZ**Advertências de segurança comuns para polimento:**

- 1. Esta ferramenta tem por finalidade funcionar como uma politriz. Leia os avisos de segurança, instruções, ilustrações e especificações fornecidas com a ferramenta.** O não seguimento de todas as instruções que se seguem poderá resultar em choque eléctrico, incêndio e/ou graves ferimentos.
- 2. Operações como esmerilhamento, lixamento, limpeza com escova metálica ou serragem não são recomendadas com esta ferramenta eléctrica.** Operações diferentes daquelas para as quais a ferramenta foi projectada podem criar situações perigosas e causar ferimentos ao operador.
- 3. Não utilize acessórios que não sejam especificamente projectados e recomendados pelo fabricante.** O fato de poder instalar o acessório na ferramenta eléctrica não garante um funcionamento com segurança.
- 4. A velocidade nominal do acessório deve ser pelo menos igual à velocidade máxima indicada na ferramenta.** Os acessórios que funcionam em velocidade mais alta do que a velocidade nominal podem quebrar e se estilhaçar.
- 5. O diâmetro externo e a espessura do acessório devem estar dentro da capacidade nominal da ferramenta eléctrica.** Não é possível proteger ou controlar adequadamente os acessórios de tamanho incorrecto.

6. **A instalação roscada dos acessórios deve corresponder à rosca do eixo da ferramenta. Em relação aos acessórios instalados por flanges, o orifício de haste do acessório deve encaixar no diâmetro guia da flange.** Os acessórios que não correspondem com o hardware de instalação da ferramenta eléctrica ficam desbalanceados, vibram excessivamente e podem causar a perda de controlo.
7. **Não utilize acessórios danificados. Antes de utilizar, inspecione o acessório como o disco de suporte para ver se há rasgos, rupturas ou desgaste excessivo. Se a ferramenta ou acessório cair, verifique se há danos e, em caso positivo, instale um acessório em boas condições.** Após inspecionar ou instalar um acessório, certifique-se de que os espectadores bem como você mesmo estejam afastados do acessório rotativo, e funcione a ferramenta em velocidade máxima em vazio por um minuto. Os acessórios danificados geralmente se quebram durante esta prova.
8. **Utilize equipamento de protecção pessoal. Utilize um protector facial, óculos de segurança ou protectores oculares, conforme a aplicação. Utilize uma máscara contra pó, protectores auriculares, luvas e avental capazes de resguardar contra estilhaços pequenos da peça de trabalho.** Os protectores oculares devem ter capacidade de resguardar contra fragmentos gerados por diversas operações. A máscara contra pó ou de respiração deve ter capacidade de filtrar partículas geradas pela operação com a lixadeira. A exposição prolongada a ruídos de alta intensidade pode causar a perda de audição.
9. **Mantenha os espectadores a uma distância segura da área de trabalho. Todas as pessoas que entram na área de trabalho devem utilizar equipamento de protecção pessoal.** Estilhaços da peça de trabalho ou um acessório quebrado podem ser atirados e causar ferimentos além da área imediata de operação.
10. **Coloque o fio afastado do acessório rotativo.** Se perder o controlo, o fio pode ser cortado ou ficar preso e sua mão ou braço pode ser puxado para o acessório em rotação.
11. **Nunca pouse a ferramenta eléctrica antes que o acessório tenha parado completamente.** O acessório rotativo pode enganchar na superfície e descontrolar a ferramenta.
12. **Não funcione a ferramenta eléctrica enquanto a carrega ao seu lado.** O contacto accidental com o acessório rotativo pode prender as roupas, puxando o acessório na direcção do seu corpo.
13. **Limpe os orifícios de ventilação da ferramenta eléctrica regularmente.** A ventoinha do motor aspira o pó dentro da caixa e a acumulação excessiva de metal pulverizado pode causar choque eléctrico.
14. **Não funcione a ferramenta eléctrica próximo de materiais inflamáveis.** As fagulhas podem incendiar esses materiais.
15. **Não utilize acessórios que requerem refrigerantes líquidos.** A utilização de água ou outros refrigerantes líquidos pode resultar em choque ou electrocussão.

Advertências sobre contragolpes

O contragolpe é uma reacção repentina a um disco rotativo, disco de suporte, escova ou qualquer outro acessório preso ou emperrado. O bloqueio causa a parada imediata do acessório rotativo que, por sua vez, causa o impulso da ferramenta descontrolada na direcção oposta à da rotação do acessório, no ponto onde foi preso.

O contragolpe é o resultado de utilização imprópria da ferramenta eléctrica e/ou condições ou procedimentos incorrectos para o funcionamento e pode ser evitado tomando-se as medidas de precaução relacionadas abaixo.

- a) **Segure firme a ferramenta eléctrica e posicione-se de tal forma que o seu corpo e braço permitam-lhe resistir à força do contragolpe. Utilize sempre o punho auxiliar, se fornecido, para controlo máximo sobre o contragolpe ou reacção do torque durante a partida.** O operador poderá controlar as reacções do torque ou as forças do contragolpe se tomar as precauções necessárias.
- b) **Nunca coloque as mãos perto do acessório rotativo.** O acessório pode recuar sobre a sua mão.
- c) **Posicione-se de forma a ficar afastado da área onde a ferramenta será lançada no caso de um contragolpe.** O contragolpe lança a ferramenta na direcção oposta ao movimento do disco no ponto onde prende.
- d) **Tenha cuidado especialmente ao trabalhar em cantos, arestas cortantes, etc. Evite bater com a ferramenta e prender o acessório.** Os cantos, arestas cortantes ou as batidas com a ferramenta tendem a prender o acessório rotativo e causar perda de controlo ou contragolpe.
- e) **Não instale uma lâmina para esculpir de moto-serra nem uma lâmina de serra dentada.** Essas lâminas criam contragolpes frequentes e perda de controlo.

Advertências de segurança específicas para polimento:

- a) **Não permita que qualquer parte solta da boina de polimento nem os seus fios de prender rodem livremente. Oculte ou corte qualquer fio solto.** Fios soltos rodando podem se emaranhar nos seus dedos ou prender a peça de trabalho.

Advertências de segurança adicionais:

16. **Não deixe a ferramenta a funcionar sozinha. Funcione a ferramenta somente quando estiver segurando-a.**
17. **Verifique se a peça de trabalho está devidamente apoiada.**
18. **Se o local de trabalho estiver extremamente quente e frio, ou seriamente poluído por poeira condutora, use um disjuntor (30 mA) para assegurar a segurança do operador.**
19. **Não utilize a ferramenta em materiais contendo asbesto.**

GUARDE ESTAS INSTRUÇÕES.

⚠️ AVISO:

NÃO permita que conforto ou familiaridade com o produto (adquirido com o uso repetido) substitua a aderência estrita às regras de segurança da ferramenta. MÁ INTERPRETAÇÃO ou não seguimento das regras de segurança estabelecidas neste manual de instruções pode causar danos pessoais sérios.

DESCRIÇÃO FUNCIONAL

⚠️ PRECAUÇÃO:

- Certifique-se de que a ferramenta está desligada e a ficha retirada da tomada antes de regular ou verificar qualquer função na ferramenta.

Bloqueio do veio (Fig. 1)

⚠️ PRECAUÇÃO:

- Nunca active o bloqueio do veio quando o veio está em movimento. Pode estragar a ferramenta.

Pressione o bloqueio do veio para evitar que o veio rode quando coloca ou retira acessórios.

Interruptor (Fig. 2)

⚠️ PRECAUÇÃO:

- Antes de ligar a ferramenta à corrente, certifique-se de que o gatilho do interruptor funciona correctamente e volta para a posição "OFF" quando desligado.
- O interruptor pode ser bloqueado na posição "ON" para facilidade e maior conforto do operador durante a utilização alargada. Tenha todo o cuidado quando bloquear a ferramenta na posição "ON" e mantenha um aperto firme da ferramenta.

Para ligar a ferramenta carregue simplesmente no gatilho do interruptor. A velocidade da ferramenta aumenta quando aumenta a pressão no gatilho do interruptor. Liberte o gatilho do interruptor para parar.

Para operação contínua, carregue no gatilho do interruptor e em seguida empurre o botão de bloqueio.

Para parar a ferramenta a partir da posição de bloqueio, carregue completamente no gatilho do interruptor e liberte-o em seguida.

Marcador de regulação da velocidade (Fig. 3)

A velocidade de ferramenta pode ser alterada rodando o marcador de regulação da velocidade para dado número de ajuste de 1 a 6. (No momento em que o gatilho do interruptor é completamente pressionado.)

Obtém maior velocidade quando o marcador do interruptor está voltado para a direcção do número 6. Obtém velocidade inferior quando está voltado para a direcção do número 1.

Refira-se à tabela para a relação entre o número do ajuste no marcador e a velocidade de ferramenta aproximada.

Número	min ⁻¹ (RPM)
1	600
2	900
3	1.500
4	2.100
5	2.700
6	3.200

014945

⚠️ PRECAUÇÃO:

- Se funcionar continuamente com a ferramenta a baixa velocidade durante muito tempo, haverá sobrecarga do motor, causando o mau funcionamento.
- O marcador de regulação de velocidade só pode ser rodado até ao 6 e até ao 1. Não force para passar o 6 ou o 1 pois pode estragar a função de regulação da velocidade.

ASSEMBLAGEM

⚠️ PRECAUÇÃO:

- Certifique-se sempre de que a ferramenta está desligada e a ficha retirada da tomada antes de executar qualquer manutenção na ferramenta.
- Instale sempre a pega auxiliar ou a pega lateral.

Remover ou instalar a tampa da cabeça (Fig. 4)

Para remover a tampa da cabeça, realize as seguintes etapas:

1. Retire o parafuso da tampa cabeça com uma chave de parafusos.
2. Retire a tampa da cabeça como indicado na figura. Para instalar a tampa da cabeça, realize os passos acima pela ordem inversa.

Instalação da pega auxiliar (acessório opcional)

⚠️ PRECAUÇÃO:

- Certifique-se sempre de que a pega auxiliar está instalada em segurança antes de utilizar a máquina.

Instale sempre a pega auxiliar na ferramenta antes da operação. Segure firmemente com as duas mãos a pega com interruptor e a pega auxiliar durante a operação.

Instale a pega auxiliar de modo a que a saliência encaixe no orifício correspondente na caixa do motor. (Fig. 5)

Introduza os pernos e aperte-os com a chave hexagonal. A pega auxiliar pode ser instalada em duas direcções diferentes como indicado nas figuras. Instale-a da forma mais conveniente para o seu trabalho. (Fig. 6 e 7)

Para ferramentas equipadas com uma almofada de protecção

Instalação ou remoção da almofada de lã (acessório opcional) (Fig. 8)

Para colocar a almofada de lã, retire primeiro toda a sujidade ou resíduos no disco de suporte. Pressione o bloqueio do veio e aparafuse o disco de suporte no veio. Introduza o casquilho 18 no orifício central do disco de suporte.

Utilizando o casquilho 18 como guia de posicionamento, instale a boina de lã no disco de suporte com o casquilho 18 introduzido no orifício central da almofada de lã. Em seguida retire o casquilho 18 do disco de suporte.

Para extrair a almofada de lã, retire-a simplesmente do disco de suporte. Em seguida desparafuse o disco de suporte enquanto pressiona o bloqueio do veio.

Para ferramentas equipadas com uma almofada de borracha

Instalação ou remoção da touca de lã (acessório opcional)

Monte a almofada de borracha no fuso. Aparafuse a porca de bloqueio no fuso. (Fig. 9)

Para apertar a porca de bloqueio, empurre o bloqueio do veio firmemente de modo que o fuso não possa girar, depois, utilize a chave da porca de bloqueio e aperte em segurança no sentido dos ponteiros do relógio.

Para retirar a almofada de borracha, siga o procedimento de instalação pela ordem inversa. (Fig. 10)

Instale a touca de lã sobre a almofada de borracha. Dê um nó e acame o nó e as pontas soltas entre a touca de lã e a almofada de borracha. (Fig. 11)

Instalar a pega lateral (manipulo) (acessório opcional) (Fig. 12)

⚠ PRECAUÇÃO:

- Certifique-se sempre que a pega lateral está instalada em segurança antes de utilizar a máquina.

Aparafuse a pega lateral em segurança na respectiva posição na ferramenta como indicado na figura.

OPERAÇÃO

Polimento (Fig. 13)

⚠ PRECAUÇÃO:

- Utilize sempre óculos de segurança ou uma máscara durante a operação.

Segure a ferramenta com firmeza. Ponha a ferramenta a trabalhar e aplique a almofada/touca de lã na peça de trabalho.

Em geral, mantenha a almofada/touca de lã num ângulo de cerca de 15 graus em relação à superfície da peça de trabalho.

Aplique apenas uma pressão leve. Uma pressão excessiva resultará em mau desempenho e desgaste prematuro da almofada/touca de lã.

MANUTENÇÃO

⚠ PRECAUÇÃO:

Certifique-se sempre de que a ferramenta está desligada e a ficha retirada da tomada antes de executar qualquer inspeção ou manutenção.

- Nunca utilize gasolina, benzina, diluente, álcool ou produtos semelhantes. Pode ocorrer a descoloração, deformação ou rachaduras.

Limpar a protecção contra poeira (Fig. 14)

Limpe a protecção contra poeira quando necessário de acordo com as etapas seguintes:

1. Retire o parafuso da protecção contra poeira.
2. Retire a protecção contra poeira.
3. Limpe a protecção contra poeira para remover a sujidade.
4. Alinhe o gancho na protecção contra poeira com a ranhura na pega.
5. Aperte a protecção contra poeira com o parafuso.

Se a protecção contra poeira estiver partida ou ficar demasiado suja, substitua-a.

Substituição das escovas de carvão (Fig. 15 e 16)

Retire e inspeccione as escovas de carvão regularmente. Substitua-as quando estiverem gastas até à marca limite. Mantenha as escovas de carvão limpas e a deslizarem livremente nos suportes. As duas escovas de carvão devem ser substituídas ao mesmo tempo. Utilize só escovas de carvão idênticas.

Utilize uma chave de parafusos para retirar as tampas do porta-escovas. Tire as escovas gastas, coloque as novas e prenda as tampas do porta-escovas.

Para manter a SEGURANÇA e FIABILIDADE, as reparações e outras acções de manutenção ou ajustes devem ser executados pelos centros de assistência autorizados da Makita, utilizando sempre peças de substituição Makita.

ACESSÓRIOS OPCIONAIS

⚠ PRECAUÇÃO:

- Estes acessórios ou peças são recomendados para utilização com a ferramenta Makita especificada neste manual. A utilização de qualquer outro acessório ou acoplamento poderá ser perigosa para o operador. Os acessórios ou acoplamentos devem ser utilizados de maneira adequada e apenas para os fins a que se destinam.

No caso de necessitar ajuda para mais detalhes sobre estes acessórios, consulte ao departamento de assistência local da Makita.

- Porca de bloqueio 48
- Chave para porca de bloqueio 28
- Almofada esponjosa (tipo aderente)
- Almofada de lã 180 (tipo aderente)
- Almofada de protecção 165 (tipo aderente)
- Casquilho 18
- Punho lateral (pega auxiliar)
- Pega auxiliar
- Tampa da cabeça

NOTA:

- Alguns itens da lista podem estar incluídos na embalagem da ferramenta como acessórios padrão. Eles podem variar de país para país.

ENG905-1

Ruído

A característica do nível de ruído A determinado de acordo com EN60745:

Nível de pressão de som (L_{pA}): 83 dB (A)

Nível do som (L_{WA}): 94 dB (A)

Variabilidade (K): 3 dB (A)

Utilize protectores para os ouvidos

ENG900-1

Vibração

O valor total da vibração (soma vectorial tri-axial) determinado de acordo com EN60745:

Modo de funcionamento: polimento

Emissão de vibração ($a_{h, P}$): 2,5 m/s² ou inferior

Variabilidade (K): 1,5 m/s²

- O valor da emissão de vibração indicado foi medido de acordo com o método de teste padrão e pode ser utilizado para comparar duas ferramentas.
- O valor da emissão de vibração indicado pode também ser utilizado na avaliação preliminar da exposição.
- O valor da emissão de vibração indicado é utilizado para as aplicações principais da ferramenta eléctrica. Entretanto, se a ferramenta for utilizada para outros fins, o valor da emissão de vibração pode ser diferente.

 **AVISO:**

- A emissão de vibração durante a utilização real da ferramenta eléctrica pode diferir do valor de emissão indicado, dependendo das formas como a ferramenta é utilizada.
- Certifique-se de identificar as medidas de segurança para protecção do operador que sejam baseadas em uma estimativa de exposição em condições reais de utilização (considerando todas as partes do ciclo de operação, tal como quando a ferramenta está desligada e quando está a funcionar em marcha lenta além do tempo de accionamento).

DECLARAÇÃO DE CONFORMIDADE CE

Apenas para países europeus

A declaração de conformidade da CE está incluída no Anexo A deste manual de instruções.

Illustrationsoversigt

1 Spindellås	9 Pashul i gearhuset	17 Polerehætte
2 Låseknap	10 Hjælpehåndtag	18 Låsemøtrik
3 Afbryderkontakt	11 Unbrakonøgle	19 Gummiskive
4 Hastighedsvælgerknap	12 Bolt	20 Låsemøtriknøgle
5 Hoveddæksel	13 Polereskive	21 Støvdæksel
6 Skruer	14 Muffe 18	22 Slidmarkering
7 Skruetrækker	15 Bagskive	23 Kulholderdæksel
8 Pastap på hjælpehåndtag	16 Spindel	

SPECIFIKATIONER

Model		9237CB
Maks. kapacitet	Polereskive	180 mm
	Polerehætte	180 mm
Spindelgevind		M14 eller 5/8" (lande-specifik)
Nominelle hastighed (n)/ Omdrejninger (n ₀)		3 200 min ⁻¹
Længde		431 mm
Vægt		3,3 - 3,5 kg
Sikkerhedsklasse		□/II

- På grund af vores kontinuerlige forskningsprogrammer og udvikling, kan hosstændige specifikationer blive ændret uden varsel.
- Specifikationer kan variere fra land til land.
- Vægten kan være anderledes afhængigt af tilbehøret. Den letteste og tungeste kombination i henhold til EPTA-procedure 01/2014 er vist i tabellen.

ENE087-1

Tilsligtet anvendelse

Denne maskine er beregnet til polering.

ENF002-2

Netsspænding

Maskinen må kun tilsluttes en strømforsyning med samme spænding som angivet på typeskiltet og kan kun anvendes på enfaset vekselstrømsforsyning. De er dobbeltisolerede og kan derfor også tilsluttes stikkontakter uden jordledning.

GEA010-1

Almindelige sikkerhedsregler for el-værktøj

⚠ ADVARSEL! Læs alle sikkerhedsadvarsler og alle sikkerhedsinstruktioner. Hvis nedenstående advarsler og instruktioner ikke overholdes, kan resultatet blive elektrisk stød, brand og/eller alvorlig personskade.

Gem alle advarsler og instruktioner til fremtidig reference.

GEB038-3

SIKERHEDSADVARSLER FOR POLEREMASKINE

Generelle sikkerhedsadvarsler for polering:

1. Denne maskine er beregnet til at anvendes som poleremaskine. Læs alle de sikkerhedsadvarsler, instruktioner, illustrationer og specifikationer, som følger med denne maskine. Forsømmelse af at følge alle instruktionerne herunder kan resultere i elektrisk stød, brand og/eller alvorlig tilskadecomst.

2. **Det kan ikke anbefales at udføre arbejde som f.eks. slibning, sandpapirslibning, trådbørstning eller afskæring med denne maskine.** Anvendelse, som maskinen ikke er beregnet til, kan være farligt og føre til personskade.
3. **Anvend ikke tilbehør, som ikke er specifikt lavet og anbefalet af maskinens fabrikant.** Den omstændighed, at tilbehøret kan monteres på din maskine, er ingen garanti for, at anvendelsen bliver sikkerhedsmæssig forsvarlig.
4. **Tilbehøret skal være beregnet til mindst den nominelle hastighed, som er anført på maskinen.** Tilbehør, som kører med en større hastighed end den, som tilbehøret er beregnet til, kan brække og slynges af.
5. **Tilbehørets ydre diameter og tykkelse skal være inden for din maskines kapacitet.** Tilbehør med en forkert størrelse kan ikke beskyttes eller styres tilstrækkeligt.
6. **Gevindmontering af tilbehør skal passe nøjagtigt til spindelgevindet på maskinen.** For tilbehør monteret med flanger, skal dornhullet på tilbehøret passe til flangens lokaliseringsdiameter. Tilbehør, der ikke passer til maskinens monteringsdele, vil miste balancen, vibrere ekstremt og kan føre til tab af kontrol.
7. **Anvend ikke beskadiget tilbehør.** Inspecter tilbehøret før hver brug, som for eksempel bagskiven, for revner, slitage eller ekstremt slid. Hvis maskinen eller tilbehøret tabes, skal de efterses for skade, eller en ubeskadiget tilbehørsdel skal monteres. Efter inspektion og montering af tilbehør, skal De og omkringstående stå på god afstand af det roterende tilbehørs høvl, og maskinen skal køres på højeste, ubelastede hastighed i et minut. Beskadiget tilbehør vil normalt brække under prøvetiden.

8. **Bør altid personligt beskyttelsesudstyr. Afhængigt af arbejdets art, skal der anvendes ansigtsmaske, beskyttelsesbriller eller sikkerhedsbriller. Bør støvmaske, høreværn, handsker og forklæde, som er i stand til at stoppe mindre fintslæbne dele eller dele af arbejdsemnet. Øjenbeskyttelsen skal kunne stoppe afslyngede stykker, som er frembragt af forskelligt arbejde. Støvmaske og respirator skal kunne stoppe filteringspartikler, som er frembragt af arbejdet. Længere tids udsættelse for støj af høj intensitet kan føre til høretab.**
9. **Hold tilskuere på god afstand af arbejdsområdet. Enhver person, som befinder sig i arbejdsområdet, skal bære personligt beskyttelsesudstyr.** Fragmenter fra arbejdsemner eller fra brækket tilbehør kan blive slyngt af og være årsag til tilskadekomst, også uden for det umiddelbare arbejdsområde.
10. **Anbring altid ledningen, så den ikke kommer i kontakt med drejende tilbehør.** Hvis De mister herredømmet over maskinen, kan ledningen blive skåret over, og Deres hånd eller arm kan komme i kontakt med det roterende tilbehør.
11. **Læg aldrig maskinen fra Dem, før tilbehøret er stoppet fuldstændigt.** Det roterende tilbehør kan gribe fat i overfladen, hvilket kan bevirke, at De mister herredømmet over maskinen.
12. **Lad ikke maskinen køre, mens De bærer den ved siden.** Utilslået kontakt med det roterende tilbehør kan gribe fat i tøjet og derved trække tilbehøret ind mod kroppen.
13. **Rengør maskinens ventilationsåbninger med jævne mellemrum.** Motorens vifte vil trække støv ind i huset, og en kraftig ophobning af metalstøv kan skabe elektrisk fare.
14. **Anvend ikke maskinen i nærheden af brændbare materialer.** Disse materialer kan blive antændt af gnister.
15. **Anvend ikke tilbehør, der kræver kølevæske.** Anvendelse af vand eller anden kølevæske kan resultere i dødelige stød eller elektriske stød.

Tilbageslag og relaterede advarsler

Tilbageslag er en pludselig reaktion på en fastklemt eller blokeret roterende skive, bagskive eller andet tilbehør. En fastklemt eller blokeret del forårsager hurtig standsning af det roterende tilbehør, som derved bliver årsag til, at den ukontrollerede maskine bliver tvunget i den modsatte retning ved punktet for bindingen.

Tilbageslag er resultatet af misbrug af maskinen og/eller fejlagtig anvendelse eller forkerte brugsforhold og kan undgås ved at man tager de rigtige forholdsregler som vist herunder.

- a) **Hold godt fast i maskinen og hold kroppen og armen således, at De kan modvirke tilbageslagskraften. Anvend altid hjælpehåndtaget, hvis et sådant medfølger, til at opnå maksimal kontrol af tilbageslag og drejningsmoment under starten.** Operatøren kan kontrollere drejningsmomentreaktion eller tilbageslagskraft, hvis de rigtige forholdsregler tages.
- b) **Anbring aldrig hænderne i nærheden af roterende tilbehør.** De risikerer at få hånden ind i tilbageslagets bane.

- c) **Stil Dem ikke i det område, hvor maskinen vil bevæge sig, hvis er opstår tilbageslag.** Tilbageslag vil slynge maskinen i den modsatte retning af hjulets omdrejning på blokeringsstidspunktet.
- d) **Vær særlig omhyggelig, når De arbejder på hjørner, skarpe kanter etc. Undgå at bumpe eller blokere tilbehøret.** Hjørner, skarpe kanter eller bumpen har tendens til at blokere det roterende tilbehør og forårsage tab af kontrol eller tilbageslag.
- e) **Monter ikke en kædesavs træskæreklinge eller en savklinge med tænder.** Sådanne klinger giver hyppige tilbageslag og tab af kontrol.

Sikkerhedsadvarsler, som gælder specielt for polering:

- a) **Tillad ikke, at nogen løs del af polérhætten eller dens befæstelsessnøre drejer frit. Løse befæstelsessnøre skal holdes inde eller skæres af.** Løse eller drejende befæstelsessnøre kan vikle sig om fingrene eller hindre arbejdsemnet.

Supplerende sikkerhedsforskrifter:

16. **Læg ikke maskinen fra Dem, mens den stadig kører. Anvend kun maskinen som håndværktøj.**
17. **Kontroller, at arbejdsemnet er ordentligt understøttet.**
18. **Hvis arbejdsstedet er ekstremt varmt eller fugtigt, eller er slemt forurenset af ledende støv, bør der anvendes en kortslutningsafbryder (30 mA) for at garantere operatørens sikkerhed under arbejdet.**
19. **Anvend aldrig denne maskine på materialer, som indeholder asbest.**

GEM DISSE FORSKRIFTER.

⚠ ADVARSEL:

LAD IKKE bekvemmelighed eller kendskab til produktet (opnået gennem gentagen brug) forhindre, at sikkerhedsforskrifterne for produktet nøje overholdes. MISBRUG eller forsømmelse af at følge de i denne brugsvejledning givne sikkerhedsforskrifter kan føre til, at De kommer alvorligt til skade.

FUNKTIONSBESKRIVELSE

⚠ FORSIGTIG:

- Kontroller altid at maskinen er slukket, og at netledningen er taget ud af stikkontakten, før funktioner på maskinen justeres eller kontrolleres.

Spindellås (Fig. 1)

⚠ FORSIGTIG:

- Aktiver aldrig spindellåsen, mens spindlen drejer rundt. Maskinen kan blive ødelagt.

Tryk på spindellåsen for at forhindre, at spindlen drejer med, når der monteres eller afmonteres tilbehør.

Afbryderkontaktbetjening (Fig. 2)

⚠ FORSIGTIG:

- Før maskinen sættes til netstikket, skal De altid kontrollere, at afbryderkontakten fungerer korrekt og returnerer til "OFF" positionen, når den slippes.

- Afbryderen kan læses i "ON"-positionen, så operatørens bekvemmelighed øges under forlænget brug. Udvis forsigtighed, når maskinen læses i "ON"-positionen og hold godt fast i maskinen.

Maskinen startes ved blot at trykke på afbryderkontakten. Maskinens hastighed øges ved at øge trykket på afbryderkontakten. Slip afbryderkontakten for at stoppe. Ved vedvarende arbejde trykkes afbryderkontakten ind og låseknappen skubbes ind.

For at frigøre maskinen fra denne låste position trykkes afbryderkontakten helt ind hvorefter den slippes.

Hastighedsvælgerknop (Fig. 3)

Maskinhastigheden kan ændres ved at dreje hastighedsvælgerknappen til en given talindstilling fra 1 til 6. (På det tidspunkt, hvor afbryderkontakten er trykket helt ind.)

Højere hastighed opnås, når vælgeren drejes i retning af 6. Langsommere hastighed opnås, når vælgeren drejes i retning af 1.

Se tabel for forholdet mellem talindstillingerne på vælgeren og den omtrentlige maskinhastighed.

Tal	min ⁻¹ (RPM)
1	600
2	900
3	1 500
4	2 100
5	2 700
6	3 200

014945

⚠ FORSIGTIG:

- Hvis maskinen anvendes uafbrudt ved lave hastigheder i længere tid, vil motoren blive overophedet, hvilket vil resultere i funktionsfejl af maskinen.
- Hastighedsvælgerknappen kan kun drejes til 6 og tilbage til 1. Forsøg ikke at tvinge den forbi 6 eller 1, da anordningen til regulering af hastigheden kan blive ødelagt.

SAMLING

⚠ FORSIGTIG:

- Kontrollér altid, at maskinen er slået fra, og at netstikket er trukket ud af stikkontakten, før der udføres noget arbejde på maskinen.
- Monter altid hjælpehåndtaget eller sidegrebet.

Afmontering eller montering af hoveddækslet (Fig. 4)

For at fjerne hoveddækslet, skal man udføre de følgende trin:

1. Fjern skruen på hoveddækslet med en skruetrækker.

2. Fjern hoveddækslet som vist på illustrationen.

For at montere hoveddækslet, skal man udføre de ovenstående trin i modsat rækkefølge.

Montering af hjælpehåndtaget (ekstraudstyr)

⚠ FORSIGTIG:

- Vær altid sikker på, at hjælpehåndtaget er ordentligt monteret inden brugen.

Monter altid hjælpehåndtaget på maskinen, før denne anvendes. Hold godt fast på både maskinens afbryderkontakt-håndtag og hjælpehåndtaget under arbejdet.

Monter hjælpehåndtaget så pastappen på håndtaget sidder i pashullet i gearhuset. (Fig. 5)

Isæt boltene og stram dem til med unbrakonøglen. Hjælpehåndtaget kan monteres i to forskellige retninger, som vist på illustrationerne, alt efter hvad der passer bedst til arbejdet. (Fig. 6 og 7)

For maskiner, der er udstyret med en bagskive

Montering eller afmontering af polereskiven (ekstraudstyr) (Fig. 8)

Fjern først alt snavs og uvedkommende ting fra bagskiven før polereskiven monteres. Tryk på spindellåsen og skru bagskiven på spindlen. Før muffe 18 ind i midterhullet i bagskiven.

Idet muffe 18 anvendes som pasguide, monteres polereskiven på bagskiven med muffe 18 ført ind gennem midterhullet i polereskiven. Fjern derefter muffe 18 fra bagskiven.

Polereskiven afmonteres ved, at den blot trækkes af bagskiven. Skru derefter bagskiven af, mens De trykker på spindellåsen.

For maskiner, der er udstyret med en gummiskive

Montering eller afmontering af polerhætten (ekstraudstyr)

Monter gummiskiven på spindelen. Skru låsemøtrikken på spindelen. (Fig. 9)

For at stramme låsemøtrikken, skal man trykke hårdt på spindellåsen, så spindelen ikke kan dreje, og derefter bruge låsemøtriknøglen til at stramme godt til i retningen med uret.

For at fjerne gummiskiven, skal man følge monteringsproceduren i modsat rækkefølge. (Fig. 10)

Anbring polerhætten over gummiskiven. Bind en sløjfe og anbring den og alle løse snore mellem polerhætten og gummiskiven. (Fig. 11)

Montering af sidegreb (håndtag) (ekstraudstyr) (Fig. 12)

⚠ FORSIGTIG:

- Vær altid sikker på, at sidegrebet er ordentligt monteret inden brugen.

Skrue sidegrebet godt på i den stilling på maskinen, som er vist på illustrationen.

BETJENING

Polering (Fig. 13)

⚠ FORSIGTIG:

- Bær altid sikkerhedsbriller eller ansigtsskærm under brugen.

Hold godt fast i maskinen. Start maskinen og sæt derefter polereskiven/hætten ned på arbejdsområdet.

Hold generelt polereskiven/hætten i en vinkel på omkring 15 grader mod arbejdsområdets overflade.

Anvend kun et moderat tryk. Et ekstremt tryk vil resultere i en dårlig ydelse og en for tidlig nedslidning af polereskiven/hætten.

⚠ FORSIGTIG:

- Kontrollér altid, at maskinen er slået fra, og netledningen taget ud af stikkontakten, inden De udfører inspektion eller vedligeholdelse.
- Anvend aldrig benzin, rensbenzin, fortynder, alkohol og lignende. Resultatet kan blive misfarvning, deformation eller revner.

Rengøring af støvdækslet (Fig. 14)

Rengør støvdækslet, når det er nødvendigt, ved at følge nedenstående trin:

1. Fjern skruen på støvdækslet.
2. Fjern støvdækslet.
3. Fjern snavs på støvdækslet ved at tørre det af.
4. Sæt krognen på støvdækslet ud for rillen på håndtaget.
5. Fastgør støvdækslet med skruen.

Hvis støvdækslet er ødelagt eller ekstremt snavset, skal det skiftes ud med et nyt.

Udskiftning af kul (Fig. 15 og 16)

Udtag og efterse kullene med regelmæssige mellemrum. Udskift kullene, når de er slidt ned til slidmarkeringen. Hold kullene rene og i stand til frit at glide ind i holderne. Begge kul skal udskiftes parvist samtidigt. Anvend kun identiske kulbørster.

Benyt en skruetrækker til at afmontere kulholderdækslerne. Tag de slide kul ud, isæt de nye og fastgør derefter kulholderdækslerne.

For at opretholde produktets SIKKERHED og PÅLIDELIGHED bør reparation, vedligeholdelse og justering kun udføres af et Makita service center med anvendelse af originale Makita udskiftningsdele.

EKSTRAUDSTYR**⚠ FORSIGTIG:**

- Det i denne manual specificerede tilbehør og anordninger anbefales til brug sammen med Deres Makita maskine. Brug af andet tilbehør og andre anordninger kan udgøre en risiko for personskade. Anvend kun tilbehør og anordninger til de beskrevne formål.

Hvis De behøver assistance eller yderligere detaljer om dette tilbehør, bedes De kontakte Deres lokale Makita servicecenter.

- Låsemøtrik 48
- Låsemøtriknøgle 28
- Svampepude (krog & løkke)
- Polereskive 180 (krog & løkke)
- Bagskive 165 (krog & løkke)
- Muffe 18
- Sidegreb (ekstrahåndtag)
- Hjælpehåndtag
- Hoveddæksel

BEMÆRK:

- Nogle ting på denne liste kan være inkluderet i værktøjspakken som standardtilbehør. Det kan være forskelligt fra land til land.

Lyd

Det typiske A-vægtede støjniveau bestemt i overensstemmelse med EN60745:

- Lydtryksniveau (L_{pA}): 83 dB (A)
- Lydeffektniveau: (L_{WA}): 94 dB (A)
- Usikkerhed (K): 3 dB (A)

Bær høreværn

ENG900-1

Vibration

Vibrations totalværdi (tre-aksial vektorsum) bestemt i overensstemmelse med EN60745:

- Arbejdsindstilling: Polering
- Vibrationsafgivelse ($a_{h, P}$): 2,5 m/s² eller mindre
- Usikkerhed (K): 1,5 m/s²

ENG902-1

- Den angivne vibrationsemissionsværdi er blevet målt i overensstemmelse med standardtestmetoden og kan anvendes til at sammenligne en maskine med en anden.
- Den angivne vibrationsemissionsværdi kan også anvendes i en preliminær eksponeringsvurdering.
- Den angivne vibrationsemissionsværdi anvendes til maskinens hovedanvendelser. Hvis maskinen imidlertid anvendes til andre formål, kan vibrationsemissionsværdien være en anden.

⚠ ADVARSEL:

- Vibrationsemissionen under den faktiske anvendelse af maskinen kan være forskellig fra den erklærede emissionsværdi, afhængigt af den måde, hvorpå maskinen anvendes.
- Sørg for at identificere de sikkerhedsforskrifter til beskyttelse af operatøren, som er baseret på en vurdering af eksponering under de faktiske brugsforhold (med hensyntagen til alle dele i brugszyklen, som f.eks. de gange, hvor maskinen er slukket og når den kører i tomgang i tilgift til afbrydertiden).

EF-KONFORMITETSERKLÆRING**Kun for lande i Europa**

EF-konformitetserklæringen er inkluderet som Tillæg A til denne instruktionsvejledning.

Περιγραφή γενικής άποψης

1 Κλειδωμα άξονα	9 Τρύπα προσαρμογής στο περιβλήμα του μηχανισμού	17 Μάλλινο κάλυμμα
2 Κουμπί ασφάλισης	10 Πλάγια λαβή	18 Παξιμάδι ασφάλισης
3 Σκανδάλη διακόπτη	11 Εξάπλευρο κλειδί μπουλονιών	19 Ελαστικό πέλμα
4 Κουμπί ρύθμισης ταχύτητας	12 Μπουλόνι	20 Κλειδί παξιμαδιού ασφάλισης
5 Κάλυμμα κεφαλής	13 Μάλλινο πέλμα	21 Κάλυμμα σκόνης
6 Βίδα	14 Συνδετικός δακτύλιος 18	22 Σημάδι ορίου
7 Καταβίδι	15 Υπόθεμα υποστήριξης	23 Καπάκι συγκρατητή βούρτσας
8 Προεξοχή πλάγιας λαβής	16 Άξονας	

ΤΕΧΝΙΚΑ ΧΑΡΑΚΤΗΡΙΣΤΙΚΑ

Μοντέλο		9237CB
Μεγ. δυνατότητες	Μάλλινο πέλμα	180 χιλ.
	Μάλλινο κάλυμμα	180 χιλ.
Σπειρώμα άξονα		M14 ή 5/8" (ειδικό της χώρας)
Ονομαστική ταχύτητα (n)/ Ταχύτητα χωρίς φορτίο (n ₀)		3.200 λεπ ⁻¹
Ολικό μήκος		431 χιλ.
Βάρος καθαρό		3,3 - 3,5 χγρ.
Κατηγορία ασφάλειας		☐ /II

GEB038-3

- Λόγω του συνεχιζόμενου προγράμματος έρευνας και ανάπτυξης, οι παρούσες προδιαγραφές υπόκεινται σε αλλαγή χωρίς προειδοποίηση.
- Τα τεχνικά χαρακτηριστικά μπορεί να διαφέρουν από χώρα σε χώρα.
- Το βάρος μπορεί να διαφέρει ανάλογα με το(α) εξάρτημα(τα). Ο ελαφρύτερος και βαρύτερος συνδυασμός, σύμφωνα με τη διαδικασία ΕΡΤΑ 01/2014, απεικονίζονται στον πίνακα.

ENE087-1

Προοριζόμενη χρήση

Το εργαλείο προορίζεται για στίλβωση.

ENF002-2

Ρευματοδότηση

Το μηχάνημα πρέπει να συνδέεται μόνο με παροχή ρεύματος της ίδια τάσης με αυτή που αναγράφεται στην πινακίδα ονομαστικών τιμών και μπορεί να λειτουργήσει μόνο με εναλλασσόμενο μονοφασικό ρεύμα. Τα μηχανήματα αυτά έχουν διπλή μόνωση και, κατά συνέπεια, μπορούν να συνδεθούν σε ακροδέκτες χωρίς σύρμα γείωσης.

GEA010-1

Γενικές προειδοποιήσεις ασφαλείας για το ηλεκτρικό εργαλείο

⚠ ΠΡΟΕΙΔΟΠΟΙΗΣΗ Διαβάστε όλες τις προειδοποιήσεις ασφαλείας και όλες τις οδηγίες. Η μη τήρηση των προειδοποιήσεων και οδηγιών ενδέχεται να καταλήξει σε ηλεκτροπληξία, πυρκαγιά ή/και σοβαρό τραυματισμό.

Φυλάξτε όλες τις προειδοποιήσεις και τις οδηγίες για μελλοντική παραπομπή.

ΠΡΟΕΙΔΟΠΟΙΗΣΕΙΣ ΑΣΦΑΛΕΙΑΣ ΣΤΙΛΒΩΤΗ

Προειδοποιήσεις ασφαλείας ειδικές εργασιών στίλβωσης:

1. Το παρόν ηλεκτρικό εργαλείο προορίζεται για λειτουργία ως στίλβωτής. Διαβάστε όλες τις προειδοποιήσεις ασφαλείας, οδηγίες, εικονογραφήσεις και προδιαγραφές που παρέχονται με αυτό το ηλεκτρικό εργαλείο. Αμέλεια να ακολουθήσετε όλες τις οδηγίες που αναγράφονται παρακάτω μπορεί να έχει ως αποτέλεσμα ηλεκτροπληξία, φωτιά και/ή προσωπικό τραυματισμό.
2. Δεν συνιστάται η εκτέλεση εργασιών λείανσης, γυαλοχαρτίσματος, καθαρισμού με συρματόβουρτσα ή κοπής με το παρόν ηλεκτρικό εργαλείο. Λειτουργίες για τις οποίες το ηλεκτρικό αυτό εργαλείο δεν έχει σχεδιαστεί μπορεί να δημιουργήσουν κίνδυνο και να προκαλέσουν προσωπικό τραυματισμό.
3. Μη χρησιμοποιείτε εξαρτήματα που δεν είναι ειδικά σχεδιασμένα και συνιστώμενα από τον κατασκευαστή του εργαλείου. Απλώς και μόνο επειδή το εξάρτημα μπορεί να προσαρτηθεί στο εργαλείο, αυτό δεν εξασφαλίζει ασφαλή λειτουργία.
4. Η αναγραφόμενη ταχύτητα του εξαρτήματος πρέπει να είναι τουλάχιστον ίση με την μέγιστη ταχύτητα που είναι σημειωμένη στο ηλεκτρικό εργαλείο. Εξαρτήματα που λειτουργούν ταχύτερα από την αναγραφόμενη ταχύτητα τους μπορεί να σπάσουν και να εκτοξευθούν.
5. Η εξωτερική διάμετρος και το πάχος του εξαρτήματός σας πρέπει να είναι μέσα στα όρια ικανότητας του εργαλείου σας. Εξαρτήματα μη σωστού μεγέθους δεν μπορούν να επιτηρηθούν ή να ελεγχθούν επαρκώς.

6. Η στερέωση με σπειρώμα των εξαρτημάτων πρέπει να ταιριάζει με το σπειρώμα ατράκτου του εργαλείου. Για εξαρτήματα στερεωμένα με φλάντζες, η οπή προσαρμογής του εξαρτήματος πρέπει να ταιριάζει με τη διάμετρο τοποθέτησης της φλάντζας. Τα εξαρτήματα που δεν ταιριάζουν με τον εξοπλισμό στερέωσης του ηλεκτρικού εργαλείου θα λειτουργούν χωρίς ισορροπία, θα δονούνται υπερβολικά και μπορεί να προκαλέσουν απώλεια ελέγχου.
7. Μην χρησιμοποιείτε εξαρτήματα που έχουν ζημιά. Πριν από κάθε χρήση, ελέγχετε το εξάρτημα, όπως π.χ. τις βάσεις υποστήριξης για ρωγμές, σκίσιμο ή υπερβολική φθορά. Εάν το ηλεκτρικό εργαλείο ή το εξάρτημα πέσει κάτω, ελέγξτε το για ζημίες ή προσαρμόστε ένα σε καλή κατάσταση. Μετά τον έλεγχο και την προσαρμογή ενός εξαρτήματος, απομακρυνθείτε εσείς και οι γύρω σας από το επίπεδο περιστροφής του εξαρτήματος και λειτουργήστε το ηλεκτρικό εργαλείο σε μέγιστη ταχύτητα χωρίς φορτίο για ένα λεπτό. Εξαρτήματα με ζημίες θα θεθούν κανονικά εκτός λειτουργίας κατά τον χρόνο αυτής της δοκιμής.
8. Φοράτε προσωπικό προστατευτικό εξοπλισμό. Ανάλογα με την εφαρμογή, χρησιμοποιείτε ασπίδα προσώπου, προστατευτικά ματιών ή γυαλιά ασφάλειας. Ανάλογα με την περίπτωση, φορέστε μάσκα σκόνης, ωασιπίδες, γάντια και ποδιά εργαστηρίου με ικανότητα προστασίας από μικρά τεμαχίδια. Η προστασία ματιών πρέπει να είναι σε θέση να σταματάει ιπτάμενα σωματίδια παραγόμενα από διάφορες λειτουργίες. Η μάσκα σκόνης ή η αναπνευστική συσκευή πρέπει να είναι ικανές να φιλτράρουν τα σωματίδια που δημιουργούνται κατά την εκτέλεση των εργασιών σας. Η παρατεταμένη έκθεση σε θόρυβο υψηλής έντασης ενδέχεται να προκαλέσει απώλεια ακοής.
9. Κρατάτε τους γύρω σας σε μία ασφαλή απόσταση από τον χώρο εργασίας. Οποιοσδήποτε εισερχόμενος στον χώρο εργασίας πρέπει να φορά προσωπικό προστατευτικό εξοπλισμό. Τεμαχίδια από το αντικείμενο εργασίας ή από ένα σπασμένο εξάρτημα μπορεί να εκτιναχθούν μακριά και να προκαλέσουν τραυματισμό πέραν της άμεσης περιοχής λειτουργίας.
10. Κρατήστε το καλώδιο μακριά από το περιστρεφόμενο εξάρτημα. Εάν χάσετε τον έλεγχο, το καλώδιο μπορεί να κοπεί ή να πιαστεί και το χέρι σας μπορεί να τραβηχθεί μέσα στο περιστρεφόμενο εξάρτημα.
11. Ποτέ μη τοποθετείτε το ηλεκτρικό εργαλείο κάτω μέχρι το εξάρτημα να έχει σταματήσει τελείως. Το περιστρεφόμενο εξάρτημα μπορεί να πιάσει την επιφάνεια και να τραβήξει το ηλεκτρικό εργαλείο έξω από τον έλεγχο σας.
12. Μην λειτουργείτε το ηλεκτρικό εργαλείο ενώ το μεταφέρετε στο πλευρό σας. Τυχαία επαφή με το περιστρεφόμενο εξάρτημα μπορεί να προκαλέσει πιάσιμο στα ρούχα σας και να τραβήξει το εξάρτημα μέσα στο σώμα σας.
13. Καθαρίζετε τακτικά τις εξόδους αερισμού του ηλεκτρικού εργαλείου. Ο ανεμιστήρας του κινητήρα θα τραβήξει την σκόνη μέσα στο περιβάλλον και υπερβολική συγκέντρωση ρινοισμάτων μετάλλω μπορεί να προκαλέσει ηλεκτρικούς κινδύνους.
14. Μην λειτουργείτε το ηλεκτρικό εργαλείο κοντά σε εύφλεκτα υλικά. Σπινθήρες μπορεί να αναφλέξουν τα υλικά αυτά.
15. Μην χρησιμοποιείτε εξάρτημα που χρειάζονται ψυκτικά υγρά. Η χρήση νερού ή άλλων ψυκτικών υγρών μπορεί να προκαλέσουν ηλεκτροπληξία ή σοκ.

Οπισθοακτίσματος και σχετικές προειδοποιήσεις

Η ανάκρουση (οπισθοακτίσματος) είναι μία ξαφνική αντίδραση του εργαλείου λόγω σύσφιξης ή σκαλωμάτος του περιστρεφόμενου τροχού, του υποθέματος υποστήριξης, της βούρτσας ή τυχόν άλλου εξαρτήματος. Η σύσφιξη ή το σκάλωμα προκαλεί ταχεία απώλεια ελέγχου του περιστρεφόμενου εξαρτήματος το οποίο στη συνέχεια υποχρεώνει το ανεξέλεγκτο ηλεκτρικό εργαλείο σε περιστροφή αντίθετη από εκείνη του εξαρτήματος στο σημείο εμπλοκής.

Το οπισθοακτίσματος είναι αποτέλεσμα κακής χρήσης του ηλεκτρικού εργαλείου και/ή εσφαλμένων χειρισμών ή συνθηκών και μπορεί να αποφευχθεί με τις κατάλληλες προφυλάξεις όπως δίδονται παρακάτω.

- Κρατάτε σταθερά το ηλεκτρικό εργαλείο και τοποθετήστε το σώμα σας και τον βραχίονα έτσι ώστε να ανθίστανται στις δυνάμεις του οπισθοακτίσματος. Πάντοτε χρησιμοποιείτε την βοηθητική λαβή, εάν παρέχεται για μέγιστο έλεγχο οπισθοακτίσματος ή αντίδρασης ροπής κατά το ξεκίνημα. Ο χειριστής μπορεί να ελέγχει τις αντιδράσεις ροπής ή δυνάμεις οπισθοακτίσματος, εάν έχουν ληφθεί οι κατάλληλες προφυλάξεις.
- Ποτέ μη βάλετε το χέρι σας κοντά στο περιστρεφόμενο εξάρτημα. Το εξάρτημα μπορεί να οπισθοακτίσει στο χέρι σας.
- Μην τοποθετήσετε το σώμα σας στην περιοχή όπου το ηλεκτρικό εργαλείο θα κινηθεί εάν συμβεί οπισθοακτίσματος. Το οπισθοακτίσματος θα οδηγήσει το εργαλείο σε διεύθυνση αντίθετη της κίνησης του τροχού στο σημείο εμπλοκής.
- Χρησιμοποιείτε πολύ προσοχή όταν εργάζεστε σε γωνίες, αιχμηρές άκρες κλπ. Αποφεύγετε αναπηδήσεις και εμπλοκές του εξαρτήματος. Γωνίες, αιχμηρές άκρες ή αναπηδήσεις έχουν τάση να προκαλούν εμπλοκή στο περιστρεφόμενο εξάρτημα και προκαλούν απώλεια ελέγχου και οπισθοακτίσματος.
- Μην προσαρμόζετε λάμα αλυσοπρίονου για ξυλογλυπτική ή λάμα πριονιστή με δόντια. Τέτοιες λάμες προκαλούν συχνό οπισθοακτίσματος και απώλεια ελέγχου.

Προειδοποιήσεις ασφαλείας ειδικά για εργασίες στίλβωσης:

- a) **Φροντίστε να μην περιστρέφεται ελεύθερα κανένα χαλαρό τμήμα του καλύμματος στίλβωσης ή των κορδονιών προσαρμογής του. Διπλώστε επιμελώς ή ψαλιδίστε τυχόν χαλαρά κορδόνια προσαρμογής.** Υπάρχει πιθανότητα εμπλοκής των χαλαρών και περιστρεφόμενων κορδονιών προσαρμογής στα δάχτυλά σας ή στο τεμάχιο εργασίας.

Επιπλέον προειδοποιήσεις ασφαλείας:

16. **Μην αφήνετε το εργαλείο αναμμένο. Λειτουργείτε το εργαλείο μόνο όταν το κρατάτε στο χέρι.**
17. **Ελέγξτε ότι το τεμάχιο εργασίας είναι καλά υποστηριγμένο.**
18. **Εάν ο χώρος εργασίας είναι εξαιρετικά ζεστός και υγρός, ή πολύ άσχημα μολυσμένος από αγωγίμη σκόνη, χρησιμοποιείστε ένα βραχυκυκλωτή (30 mA) για να σιγουρέψετε την ασφάλεια του χειριστή.**
19. **Μη χρησιμοποιήσετε το εργαλείο σε οποιαδήποτε υλικά που περιέχουν άσβεστο.**

ΦΥΛΑΞΕΤΕ ΑΥΤΕΣ ΤΙΣ ΟΔΗΓΙΕΣ.

⚠ ΠΡΟΕΙΔΟΠΟΙΗΣΗ:

ΜΗΝ επιτρέψετε το βαθμό άνεσης ή εξοικείωσης με το προϊόν (λόγω επανειλημμένης χρήσης) να αντικαταστήσει την αυστηρή τήρηση των κανόνων ασφαλείας του παρόντος εργαλείου. ΚΑΚΗ ΧΡΗΣΗ ή αμέλεια να ακολουθήσετε τους κανόνες ασφαλείας που διατυπώνονται σ'αυτό το εγχειρίδιο οδηγιών μπορεί να προκαλέσει σοβαρό προσωπικό τραυματισμό.

ΠΕΡΙΓΡΑΦΗ ΛΕΙΤΟΥΡΓΙΑΣ

⚠ ΠΡΟΣΟΧΗ:

- Πάντοτε βεβαιώνετε ότι το εργαλείο είναι σβηστό και αποσυνδεδεμένο από το ρεύμα πριν ρυθμίσετε ή ελέγξετε κάποια λειτουργία στο εργαλείο.

Κλειδώμα άξονα (Εικ. 1)

⚠ ΠΡΟΣΟΧΗ:

- Μην ενεργοποιήσετε (πίεσετε) το κλειδώμα άξονα ενώ ο αξόνισκος βρίσκεται σε κίνηση. Το εργαλείο μπορεί να υποστεί ζημιά.

Πατήστε το κλειδώμα άξονα για να εμποδίσετε την περιστροφή του αξόνισκου όταν τοποθετείτε ή αφαιρείτε εξαρτήματα.

Λειτουργία διακόπτη (Εικ. 2)

⚠ ΠΡΟΣΟΧΗ:

- Προτού συνδέσετε το εργαλείο στο ρεύμα, πάντοτε ελέγχετε να δείτε ότι ο σκανδάλη διακόπτη ενεργοποιεί κανονικά και επιστρέφει στη θέση "OFF" όταν ελευθερώνεται.
- Ο διακόπτης μπορεί να ασφαλιστεί στη θέση "ON" προς διευκόλυνση του χειριστή στη διάρκεια παρατεταμένης χρήσης. Να είστε προσεκτικοί όταν ασφαλίζετε το εργαλείο στη θέση "ON" και να κρατάτε το εργαλείο σταθερά.

Για να ξεκινήσει το εργαλείο τραβήξτε τη σκανδάλη διακόπτη. Αν αυξήσετε την πίεση στη σκανδάλη διακόπτη, αυξάνεται η ταχύτητα του εργαλείου. Για να σταματήσει ελευθερώστε τη σκανδάλη διακόπτη.

Για συνεχή λειτουργία, τραβήξτε τη σκανδάλη διακόπτη και μετά στρώστε μέσα το κουμπί ασφάλισης.

Για να σταματήσετε το εργαλείο από τη θέση ασφάλισης, τραβήξτε τη σκανδάλη διακόπτη πλήρως και μετά αφήστε τη.

Κουμπί ρύθμισης ταχύτητας (Εικ. 3)

Η ταχύτητα του εργαλείου μπορεί να αλλάξει γυρίζοντας το κουμπί ρύθμισης ταχύτητας σε ένα δεδομένο αριθμό ρύθμισης από το 1 έως το 6. (Τη στιγμή που η σκανδάλη είναι πλήρως πιεσμένη.)

Υψηλότερη ταχύτητα επιτυγχάνεται όταν το κουμπί γυρίσει προς την κατεύθυνση του νούμερου 6, και χαμηλότερη ταχύτητα επιτυγχάνεται όταν το κουμπί γυρίσει προς την κατεύθυνση του νούμερου 1.

Αναφερθείτε στον παρακάτω πίνακα για την σχέση μεταξύ της ρύθμισης στο κουμπί και της κατά προσέγγιση ταχύτητας του εργαλείου.

Νούμερο	λεπ ⁻¹ (Σ.Α.Λ)
1	600
2	900
3	1.500
4	2.100
5	2.700
6	3.200

014945

⚠ ΠΡΟΣΟΧΗ:

- Εάν το εργαλείο λειτουργεί συνεχώς σε χαμηλές ταχύτητες για μεγάλο χρονικό διάστημα, ο κινητήρας υπερφορτώνεται, με αποτέλεσμα τη δυσλειτουργία του εργαλείου.
- Το κουμπί ρύθμισης ταχύτητας μπορεί να ρυθμιστεί μεταξύ του 6 και του 1. Μην το πιέζετε να ξεπεράσει το 6 ή το 1, αλλιώς η λειτουργία ρύθμισης της ταχύτητας μπορεί να χαλάσει.

ΣΥΝΑΡΜΟΛΟΓΗΣΗ

⚠ ΠΡΟΣΟΧΗ:

- Πάντοτε βεβαιώνετε ότι το εργαλείο είναι σβηστό και αποσυνδεδεμένο από το ρεύμα πριν εκτελέσετε οποιαδήποτε εργασία με το εργαλείο.
- Να εγκαθιστάτε πάντα την πλάγια λαβή ή πλάγια χειρολαβή.

Αφαίρεση ή τοποθέτηση του καλύμματος κεφαλής (Εικ. 4)

Για να αφαιρέσετε το κάλυμμα κεφαλής, εκτελέστε τα ακόλουθα βήματα:

1. Αφαιρέστε τη βίδα από το κάλυμμα κεφαλής με ένα καταβίδι.
2. Αφαιρέστε το κάλυμμα κεφαλής όπως απεικονίζεται στην εικόνα.

Για να τοποθετήσετε το κάλυμμα κεφαλής, εκτελέστε τα παραπάνω βήματα με αντίστροφη σειρά.

Τοποθέτηση πλάγιας λαβής (προαιρετικό εξάρτημα)

⚠ ΠΡΟΣΟΧΗ:

- Πριν από τη λειτουργία, πάντοτε να βεβαιώνετε ότι η πλάγια λαβή έχει τοποθετηθεί με ασφάλεια.

Πάντοτε τοποθετείτε την πλάγια λαβή στο εργαλείο πριν την λειτουργία. Κρατάτε τη λαβή του διακόπτη του εργαλείου καθώς και την πλάγια λαβή του σταθερά και με τα δύο χέρια κατά τη διάρκεια της λειτουργίας.

Τοποθετήστε την πλάγια λαβή έτσι ώστε η προεξοχή της να προσαρμόζεται στην τρύπα προσαρμογής στο περίβλημα του μηχανισμού. **(Εικ. 5)**

Τοποθετήστε τα μπουλόνια και σφίξτε το με το εξάπλευρο κλειδί μπουλονιών. Μπορείτε να τοποθετήσετε την πλάγια λαβή σε δύο διαφορετικές κατευθύνσεις όπως απεικονίζεται στις εικόνες, δηλ. οποιαδήποτε κατεύθυνση είναι βολική για την εργασία σας. **(Εικ. 6 και 7)**

Για εργαλεία που είναι εξοπλισμένα με υπόθεμα υποστήριξης

Τοποθέτηση ή αφαίρεση του μάλλινου πέλματος (προαιρετικό εξάρτημα) (Εικ. 8)

Για να τοποθετήσετε το μάλλινο πέλμα, πρώτα αφαιρέστε όλη τη βρομιά ή όποιο ξένο αντικείμενο από το πέλμα υποστήριξης. Πιέστε την ασφάλεια του άξονα και βιδώστε το πέλμα υποστήριξης πάνω στον άξονα. Βάλτε το συνδετικό δακτύλιο 18 μέσα στην κεντρική τρύπα του υποθέματος υποστήριξης.

Χρησιμοποιώντας το συνδετικό δακτύλιο 18 σαν οδηγό θέσης, τοποθετήστε το μάλλινο πέλμα πάνω στο υπόθεμα υποστήριξης, με το συνδετικό δακτύλιο 18 να έχει περαστεί μέσα από την τρύπα στο κέντρο του μάλλινου πέλματος. Μετά βγάλτε τον συνδετικό δακτύλιο 18 από το υπόθεμα υποστήριξης.

Για να βγάλετε το μάλλινο πέλμα, απλά τραβήχτε το με δύναμη από το υπόθεμα υποστήριξης. Τέλος ξεβιδώστε το υπόθεμα υποστήριξης ενώ κρατάτε πατημένη την ασφάλεια του άξονα.

Για εργαλεία που είναι εξοπλισμένα με ελαστικό πέλμα

Τοποθέτηση ή αφαίρεση του μάλλινου καλύμματος (προαιρετικό εξάρτημα)

Στερεώστε το ελαστικό πέλμα πάνω στον άξονα. Βιδώστε το παξιμάδι ασφάλισης πάνω στον άξονα. **(Εικ. 9)**

Για να σφίξετε το παξιμάδι ασφάλισης, πατήστε το κλειδίωμα άξονα σταθερά έτσι ώστε να μην μπορεί να περιστραφεί ο άξονας, μετά χρησιμοποιήστε το κλειδί παξιμαδιού ασφάλισης και σφίξτε με ασφάλεια δεξιόστροφα.

Για να αφαιρέσετε το ελαστικό πέλμα, ακολουθήστε τη διαδικασία τοποθέτησης με αντίστροφη σειρά. **(Εικ. 10)** Προσαρμόστε το μάλλινο πέλμα πάνω από το ελαστικό πέλμα. Δέστε έναν κόμπο και μαζέψτε τον κόμπο και οποιαδήποτε ελεύθερα νήματα μεταξύ του μάλλινου πέλματος και του ελαστικού πέλματος. **(Εικ. 11)**

Τοποθέτηση πλάγιας χειρολαβής (λαβή) (προαιρετικό εξάρτημα) (Εικ. 12)

⚠ ΠΡΟΣΟΧΗ:

- Πριν από τη λειτουργία, πάντοτε να βεβαιώνετε ότι η πλάγια λαβή έχει τοποθετηθεί με ασφάλεια.

Βιδώστε την πλάγια χειρολαβή με ασφάλεια στη θέση του εργαλείου όπως απεικονίζεται στην εικόνα.

ΛΕΙΤΟΥΡΓΙΑ

Εργασία στίλβωσης (Εικ. 13)

⚠ ΠΡΟΣΟΧΗ:

- Πάντοτε να φοράτε γυαλιά προστασίας ή μάσκα προσώπου κατά τη διάρκεια της λειτουργίας.

Κρατήστε το εργαλείο σταθερό. Θέστε το εργαλείο σε λειτουργία και μετά εφαρμόστε το μάλλινο πέλμα/ κάλυμμα στο τεμάχιο εργασίας.

Σε γενικές γραμμές, να κρατάτε το μάλλινο πέλμα/ κάλυμμα σε γωνία περίπου 15 μοιρών ως προς την επιφάνεια του τεμαχίου εργασίας.

Ασκήστε επαρκή πίεση μόνο. Η υπερβολική πίεση θα έχει ως αποτέλεσμα την ανεπαρκή απόδοση και την πρόωρη φθορά του μάλλινου πέλματος/καλύμματος.

ΣΥΝΤΗΡΗΣΗ

⚠ ΠΡΟΣΟΧΗ:

- Πάντοτε βεβαιώνετε ότι το εργαλείο είναι σβηστό και αποσυνδεδεμένο από το ρεύμα πριν επιχειρήσετε να εκτελέσετε επιθεώρηση ή συντήρηση.

- Μην χρησιμοποιείτε ποτέ βενζίνη, πετρελαϊκό αιθέρα, διαλυτικό, αλκοόλη ή παρόμοιες ουσίες. Ενδέχεται να προκληθεί αποχρωματισμός παραμόρφωση ή ρωγμές.

Καθαρισμός του καλύμματος σκόνης (Εικ. 14)

Καθαρίστε το κάλυμμα σκόνης όταν απαιτείται σύμφωνα με τα ακόλουθα βήματα:

1. Αφαιρέστε τη βίδα από το κάλυμμα σκόνης.
 2. Αφαιρέστε το κάλυμμα σκόνης.
 3. Σκουπίστε το κάλυμμα σκόνης για να απομακρύνετε τη βρομιά.
 4. Ευθυγραμμίστε το άγκιστρο του καλύμματος σκόνης με την εγκοπή στη λαβή.
 5. Σφίξτε το κάλυμμα σκόνης με τη βίδα.
- Αν το κάλυμμα σκόνης είναι σπασμένο ή εξαιρετικά βρόμικο, αντικαταστήστε το.

Αντικατάσταση ψηκτρών άνθρακα (Εικ. 15 και 16)

Αφαιρείτε και ελέγχετε τις ψηκτρες άνθρακα τακτικά. Αντικαθιστάτε τις όταν φθαρούν μέχρι το σημάδι ορίου. Κρατάτε τις ψηκτρες άνθρακα καθαρές και ελεύθερες να γλιστρούν στις θήκες. Και οι δύο ψηκτρες άνθρακα πρέπει να αντικαθίστανται ταυτόχρονα. Χρησιμοποιείτε μόνο ταυτόσημες ψηκτρες άνθρακα.

Χρησιμοποιήστε ένα κατασβίδι για να αφαιρέσετε τα καπάκια των θηκών των ψηκτρών. Αφαιρέστε τις φθαρμένες ψηκτρες, βάλτε τις νέες και ασφαλίστε τα καπάκια των θηκών των ψηκτρών.

Για διατήρηση της ΑΣΦΑΛΕΙΑΣ και ΑΞΙΟΠΙΣΤΙΑΣ του προϊόντος, επισκευές, οποιαδήποτε συντήρηση ή ρυθμίσεις πρέπει να εκτελούνται από Κέντρα εξυπηρέτησης εξουσιοδοτημένα από την Makita, με χρήση πάντοτε ανταλλακτικών Makita.

ΠΡΟΑΙΡΕΤΙΚΑ ΕΞΑΡΤΗΜΑΤΑ

ΠΡΟΣΟΧΗ:

- Αυτά τα εξαρτήματα ή προσαρτήματα συνιστώνται για χρήση με το εργαλείο Makita που περιγράφηκε στις οδηγίες αυτές. Η χρήση οτιδήποτε άλλων εξαρτημάτων ή προσαρτημάτων μπορεί να προκαλέσει κίνδυνο τραυματισμού σε άτομα. Χρησιμοποιείτε τα εξαρτήματα ή προσαρτήματα μόνο για την χρήση που προορίζονται.

Εάν χρειάζεστε οποιαδήποτε βοήθεια για περισσότερες πληροφορίες σε σχέση με αυτά τα εξαρτήματα, αποσπαστείτε στο τοπικό σας κέντρο εξυπηρέτησης Makita.

- Παξιμάδι ασφάλισης 48
- Κλειδί παξιμαδιού ασφάλισης 28
- Σπογγοειδές πέλμα (άγκιστρο & βρόχος)
- Μάλλινο πέλμα 180 (άγκιστρο & βρόχος)
- Υπόθεμα υποστήριξης 165 (άγκιστρο & βρόχος)
- Συνδετικός δακτύλιος 18
- Πλάγια χειρολαβή (βοηθητική λαβή)
- Πλάγια λαβή
- Κάλυμμα κεφαλής

ΠΑΡΑΤΗΡΗΣΗ:

- Μερικά στοιχεία στη λίστα μπορεί να συμπεριλαμβάνονται στη συσκευασία εργαλείου ως στάνταρ εξαρτήματα. Μπορεί να διαφέρουν ανάλογα με τη χώρα.

ENG905-1

Θορύβος

Το τυπικό A επίπεδο μετρημένου θορύβου καθορίζεται σύμφωνα με το EN60745:

- Στάθμη πίεσης ήχου (L_{pA}): 83 dB (A)
- Στάθμη δύναμης ήχου (L_{WA}): 94 dB (A)
- Αβεβαιότητα (K): 3 dB (A)

Φοράτε ωτοασπίδες

ENG900-1

Κραδασμός

Η ολική τιμή δόνησης (άθροισμα τρι-αξονικού διανύσματος) καθορίζεται σύμφωνα με το EN60745:

- Είδος εργασίας: στίλβωση
- Εκπομπή δόνησης ($a_{h, p}$): 2,5 m/s² ή λιγότερο
- Αβεβαιότητα (K): 1,5 m/s²

ENG902-1

- Η δηλωμένη τιμή εκπομπής κραδασμών έχει μετρηθεί σύμφωνα με την πρότυπη μέθοδο δοκιμής και μπορεί να χρησιμοποιηθεί για τη σύγκριση ενός εργαλείου με άλλο.
- Η δηλωμένη τιμή εκπομπής κραδασμών μπορεί να χρησιμοποιηθεί και στην προκαταρκτική αξιολόγηση έκθεσης.
- Η δηλωμένη τιμή εκπομπής κραδασμών χρησιμοποιείται για κύριες εφαρμογές του ηλεκτρικού εργαλείου. Πάντως, εάν το ηλεκτρικό εργαλείο χρησιμοποιείται για άλλες εφαρμογές, η τιμή εκπομπής κραδασμών ενδέχεται να είναι διαφορετική.

ΠΡΟΕΙΔΟΠΟΙΗΣΗ:

- Η εκπομπή κραδασμών κατά τη χρήση του ηλεκτρικού εργαλείου σε πραγματικές συνθήκες μπορεί να διαφέρει από τη δηλωμένη τιμή εκπομπής ανάλογα με τον τρόπο χρήσης του εργαλείου.
- Φροντίστε να λάβετε τα κατάλληλα μέτρα προστασίας του χειριστή βάσει υπολογισμού της έκθεσης σε πραγματικές συνθήκες χρήσης (λαμβάνοντας υπόψη όλες τις συνιστώσες του κύκλου λειτουργίας όπως τους χρόνους που το εργαλείο είναι εκτός λειτουργίας και όταν βρίσκεται σε αδρανή λειτουργία πέραν του χρόνου ενεργοποίησης).

ΔΗΛΩΣΗ ΣΥΜΜΟΡΦΩΣΗΣ ΕΚ

Για τις ευρωπαϊκές χώρες μόνο

Η δήλωση συμμόρφωσης ΕΚ περιλαμβάνεται ως Παράρτημα Α σε αυτό το εγχειρίδιο οδηγιών.

Genel görünüşün açıklanması

1 Şaft kilidi	9 Dişli kutusundaki uyum deliği	17 Yün bone
2 Kilitleme düğmesi	10 Çember kol	18 Kilitleme somunu
3 Anahtar tetiği	11 Altıgen anahtar	19 Kauçuk yastık
4 Hız ayar kadranı	12 Cıvata	20 Kilitleme somunu anahtarı
5 Koruyucu kapak	13 Yün yastık	21 Toz kapağı
6 Vida	14 18'lik bilezik	22 Sınır işareti
7 Tornavida	15 Destek yastığı	23 Fırça yuvası kapağı
8 Çember kolun çıkıntıları	16 Mil	

ÖZELLİKLER

Model		9237CB
Maksimum kapasiteler	Yün yastık	180 mm
	Yün bone	180 mm
Mil dişi		M14 veya 5/8" (ülkeye özgü)
Nominal hız (n)/ Yüksüz hız (n ₀)		3.200 dak ⁻¹
Toplam uzunluk		431 mm
Net ağırlık		3,3 - 3,5 kg
Güvenlik sınıfı		□/II

- Sürekli yapılan araştırma ve geliştirmelerden dolayı, burada belirtilen özellikler önceden bildirilmeksizin değiştirilebilir.
- Özellikler ülkeden ülkeye değişebilir.
- Ağırlık, ek parçaya(parçalara) bağlı olarak değişebilir. En hafif ve en ağır kombinasyon, EPTA Prosedürü 01/2014'e göre, tabloda gösterilmiştir.

ENE087-1

Amaçlanan kullanım

Bu alet perdelama amacıyla kullanılmak üzere tasarlanmıştır.

ENF002-2

Güç kaynağı

Makinanın, yalnızca isim levhasında belirtilenle aynı voltajlı güç kaynağına bağlanması gerekir ve yalnızca tek fazlı AC güç kaynağıyla çalıştırılabilir. Çift yalıtımlıdır ve dolayısıyla topraklamasız prizlerle de kullanılabilir.

GEA010-1

Genel Elektrikli Alet Güvenliği

⚠ UYARI! Tüm güvenlik uyarılarını ve tüm talimatları okuyun. Uyarıları ve talimatlara uyulmaması elektrik şoku, yangın ve/veya ciddi yaralanmalar ile sonuçlanabilir.

Tüm uyarıları ve talimatları ileride başvurmak için saklayın.

GEB038-3

POLISAJ MAKİNESİ GÜVENLİK UYARILARI

Perdelama işlemleri için Genel Güvenlik Uyarıları:

- Bu elektrikli el aleti bir perdelama makinesi olarak görev yapmak üzere tasarlanmıştır. Bu elektrikli aletle birlikte verilen tüm güvenlik uyarılarını, talimatları, resimli açıklamaları ve özellik tablolarını okuyun. Aşağıda listelenen talimatların herhangi birine uyulmaması elektrik şoku, yangın ve/veya ciddi yaralanmalar ile sonuçlanabilir.

- Bu elektrikli aletle taşlama, telle fırçalama, parlatma veya kesme gibi işlemlerin yapılması tavsiye edilmez.** Bu elektrikli aletin tasarım amacına uygun olmayan işlemler tehlike oluşturabilir ve yaralanmaya neden olabilir.
- Aletin imalatçısı tarafından özel olarak tasarlanmamış ve tavsiye edilmeyen aksesuarları kullanmayın.** Bir aksesuarın yalnızca elektrikli aletinize takılabiliyor olması, onun güvenli çalışacağını garanti etmez.
- Aksesuarın anma hızı en azından elektrikli aletin üstünde belirtilen maksimum hızla eşit olmalıdır.** Anma hızlarından daha hızlı çalışan aksesuarlar kırılabilir ve fırlatabilirler.
- Aksesuarınızın dış çapı ve kalınlığı elektrikli aletinizin kapasite derecelendirmesi dahilinde olmalıdır.** Doğru boyutta olmayan aksesuarlar yeterince korunamayabilir ve kontrol edilemezler.
- Aksesuarların dişli çerçeveleri aletin miline uymalıdır.** Flaş ile monte edilen aksesuarlarda, aksesuarın malafa deliği flaşın yerleştirme çapına uymalıdır. Elektrikli aletin monte edildiği kısma uymayan aksesuarlar dengesiz döner, aşırı titreşim yapar ve kontrolden çıkabilirler.
- Hasarlı bir aksesuarı kullanmayın.** Her kullanımdan önce taban diskleri gibi aksesuarları çatlak, yırtık veya aşırı yıpranma için muayene edin. Eğer elektrikli alet veya aksesuar düşürülürse, hasar muayenesi yapın ve hasarsız aksesuar takın. Bir aksesuarı muayene ettikten ve taktıktan sonra, kendinizi ve civardaki insanları döner aksesuarın düzleminden uzak tutun ve elektrikli aleti bir dakika kadar maksimum yüksüz hızda çalıştırın. Bu test çalıştırması sırasında normal olarak hasarlı aksesuarlar koparlar.

8. **Kişisel koruyucu donanım kullanın. Uygulamaya bağlı olarak yüz siperleri veya güvenlik gözlükleri kullanın. Uygun görüldüğü şekilde, iş parçasından kopan küçük parçalardan sizi koruyabilecek toz maskesi, kulak koruyucuları, eldiven ve iş önlüğü takın.** Göz koruyucuları çeşitli işlemlerin üreteceği uçan kırıntıları durdurabilecek nitelikte olmalıdır. Toz maskesi veya solunum cihazı yaptığınız işlemin üreteceği küçük parçacıkları süzebilecek nitelikte olmalıdır. Uzun süre yüksek yoğunlukta gürültüye maruz kalmak işitme kaybına neden olabilir.
9. **Civarda bulunanları çalışma alanından güvenli bir uzaklıkta tutun. Çalışma alanına giren herkes kişisel koruyucu donanım kullanılmalıdır.** Kırılan bir aksesuarın veya iş parçasının kırıkları uzağa fırlayıp, çalışma yerinin ötesinde yaralanmalara neden olabilir.
10. **Kordonu döner aksesuardan uzakta tutun.** Eğer kontrolü kaybederseniz, kordon kesilebilir veya takılabilir ve eliniz ya da kolunuz döner aksesuara çekilebilir.
11. **Aksesuar tamamen durmadan önce elektrikli aleti kesinlikle yere koymayın.** Döner aksesuar yere sürünüp, elektrikli aletin kontrolünüz dışında fırlamasına neden olabilir.
12. **Elektrikli aleti yanınızda taşırken çalıştırmayın.** Giysilerinizin kazayla döner aksesuara temas etmesi aksesuarı vücudunuza çekebilir.
13. **Elektrikli aletin havalandırma deliklerini düzenli olarak temizleyin.** Motorun fanı tozu gövdenin içine çeker ve aşırı toz metal birikimi elektrik tehlikelerine neden olabilir.
14. **Elektrikli aleti tutuşabilen malzemelerin yakınında kullanmayın.** Kivılcımlar bu malzemeleri tutuşturabilir.
15. **Sıvı soğutucu gerektiren aksesuarlar kullanmayın.** Su veya diğer sıvı soğutucuların kullanılması elektrik çarpmasına veya şokuna neden olabilir.

Geri Tepme ve İlgili Uyarılar

Geri tepme dönerken takılan bir taban diskine, fırçaya veya başka bir aksesuara verilen ani bir tepkidir. Takılma döner aksesuarın aniden durmasına ve bu da elektrikli aletin tutukluk noktasında aksesuarın dönme yönünün tersi doğrultuda kontrolsüz şekilde itilmesine neden olur. Geri tepme elektrikli aletin yanlış kullanılmasının ve/veya yanlış kullanım usulleri veya koşullarının bir sonucudur ve aşağıda belirtildiği gibi doğru önlemlerle önlenebilir:

- a) **Elektrikli aleti daima sıkıca kavrayın ve vücudunuzun ve kolunuzun duruşunu geri tepme kuvvetlerine direnç gösterecek şekilde ayarlayın. İlk çalıştırma sırasında geri tepme veya tork etkisi üzerinde maksimum kontrol sağlamak için, eğer varsa, daima yardımcı sapı kullanın.** Eğer doğru önlemler alınırsa, operatör tork etkilerini veya geri tepme kuvvetlerini kontrol edebilir.
- b) **Elinizi kesinlikle döner aksesuarın yakınına koymayın.** Aksesuar elinizin üstüne doğru geri tepebilir.
- c) **Vücudunuzu geri tepme halinde elektrikli aletin fırlayacağı alanda bulundurmayın.** Geri tepme aleti takılma noktasında taşın hareketinin tersi yönde iter.

- d) **Köşelerde, keskin kenarlarda, vb. çalışırken özel dikkat gösterin.** Aksesuarın zıplamasından ve takılmasından kaçının. Köşelerde, keskin kenarlarda veya zıplama halinde döner aksesuarın takılma eğilimi vardır ve kontrol kaybına ve geri tepmeye neden olur.
- e) **Bir zincir testere, oyma bacağı veya dişli testere bacağı takmayın.** Bu bıçaklar sıkça geri tepme ve kontrol kaybı yaratır.

Perdahlama İşlemlerine Özgü Güvenlik Uyarıları:

- a) **Perdahlama bonesinin veya onun bağlama yaylarının gevşeyen bir kısmının serbest kalıp fırlamasına izin vermeyin. Gevşek bağlama yaylarını sıkıştırın veya düzeltin.** Gevşek ve dönen bağlama yayları parmaklarınıza veya iş parçasına takılabilirler.

Ek Güvenlik Uyarıları:

16. **Aleti çalışır durumda bırakmayın. Aleti sadece elinizde tutarken çalıştırın.**
17. **İş parçasının doğru desteklenip desteklenmediğini kontrol edin.**
18. **Çalışma yeri aşırı sıcak ve nemliyse ya da çok fazla iletken toz kirliliği mevcutsa kullanıcının güvenliği için bir kısa devre kesicisi (30 mA) kullanın.**
19. **Bu aleti asbest içeren hiçbir malzeme üstünde kullanmayın.**

BU TALİMATLARI SAKLAYIN.

⚠ UYARI:

Ürünü kullanırken (defalarca kullanınca kazanılan) rahatlık ve tanıdıklık duygusunun ilgili ürünün güvenlik kurallarına sıkı sıkıya bağlı kalmanın yerine geçmesine İZİN VERMEYİN. YANLIŞ KULLANIM veya bu kullanma kılavuzunda belirtilen emniyet kurallarına uymama ciddi yaralanmaya neden olabilir.

İŞLEVSEL AÇIKLAMALAR

⚠ DİKKAT:

• Aletin üstünde işlev kontrolü ya da ayarlaması yapmadan önce aletin kapalı ve fişinin çekili olduğundan daima emin olun.

Şaft kilidi (Şek. 1)

⚠ DİKKAT:

• Mil dönerken, hiç bir zaman shaft kilidini aktif yapmayın. Makineye zarar gelebilir.

Aksesuarları takarken veya çıkarırken milin dönmesine önlemek için shaft kilidine basın.

Anahtar işlemi (Şek. 2)

⚠ DİKKAT:

• Makinary fişe takmadan önce, anahtar tetiğinin düzgün çalıştığından ve bırakıldığında "OFF" pozisyonuna geri geldiğinden emin olun.

• Uzun süreli kullanımda anahtarları "ON" pozisyonuna kilitleyerek kullanımı kolaylığı sağlayabilirsiniz. Aleti "ON" pozisyonuna kilitlerken dikkat edin ve aleti sıkıca kavrayın.

Makinayı çalıştırmak için tetiği çekin. Makine hızı, tetik üzerindeki basınç artırılarak yükseltilir. Durdurmak için tetiği bırakın.

Süreklili işlem için tetiği çekin ve kilitleme düğmesine basın.

Makinayı kilitle pozisyonundan çıkarmak için, tetiği tamamen çekin ve sonra bırakın.

Hız ayar kadranı (Şek. 3)

Aletin hızı hız ayar kadranını 1 ile 6 arasındaki ayar kademelerinden birine çevirerek değiştirilebilir. (Tetik anahtar tamamen çekildiği sırada.)

Kadran 6 kademesi yönünde çevrildiğinde daha yüksek hız elde edilir. Kadran 1 kademesi yönünde çevrildiğinde ise daha düşük hız elde edilir.

Kadrandaki numara ayarlarıyla aletin yaklaşık hızı arasındaki ilişki için tabloya bakın.

Numara	dak ⁻¹ (Dakikada devir)
1	600
2	900
3	1.500
4	2.100
5	2.700
6	3.200

014945

⚠ DİKKAT:

- Bu alet uzun bir süre sürekli olarak düşük hızda çalıştırılırsa, motor aşırı yüklenir ve alet arıza yapabilir.
- Hız ayar kadranı 6 kademesinden daha ileri ve 1 kademesinden daha geri çevrilemez. Kadranı 6'dan ileriye veya 1'den geriye çevirmek için zorlamayın, hız ayarlama işlevi bozulabilir.

MONTAJ

⚠ DİKKAT:

- Alet üstünde herhangi bir çalışma yapmadan önce aletin kapalı ve fişinin çekili olduğundan daima emin olun.
- Çember kolu ya da yan kolu daima takın.

Koruyucu kapağın çıkarılması veya takılması (Şek. 4)

Koruyucu kapağı çıkarmak için aşağıdaki adımları gerçekleştirin:

- Koruyucu kapak üzerindeki vidayı tornavida ile sökün.
- Koruyucu kapağı şekilde gösterildiği gibi çıkarın. Koruyucu kapağı takmak için, yukarıdaki adımları tersten izleyin.

Çember kol takılması (isteğe bağlı aksesuar)

⚠ DİKKAT:

- Kullanmadan önce çember kolun sağlam bir şekilde takılı olduğundan emin olun.

Makinayı kullanmadan önce, her zaman çember kolu takın. İşlem sırasında, makinayı anahtar kolundan ve çember kolundan iki elinizle sağlamca tutun.

Çember kolun çıkıntılarını, dişli kutusundaki uyum deliğine denk gelecek şekilde takın. (Şek. 5)

Cıvataları takın ve altıgen anahtar ile sıkıştırın. Çember kol, şekillerde gösterildiği gibi yaptığınız iş için uygun olanı seçebileceğiniz iki farklı yönde takılabilir. (Şek. 6 ve 7)

Destekleme yastığı ile donatılmış aletler için

Yün yastığın takılması veya çıkarılması (isteğe bağlı aksesuar) (Şek. 8)

Yün yastığı takmak için, önce destek yastığından bütün kirleri ve yabancı malzemeleri çıkarın. Şaft kilidinde basın ve destek yastığını mile vidalayın. 18'lik bileziği destek yastığının merkez deliğine takın.

18'lik bileziği yerleştirme kılavuzu olarak kullanıp, yün yastığı destek yastığının üzerine, 18'lik bilezik yün yastığın merkez deliğine girecek şekilde takın. Sonra 18'lik bileziği destek yastığından çıkarın.

Yün yastığı çıkarmak için, destek yastığından ayırın. Sonra şaft kilidinde basarak destek yastığının vidalarını çıkarın.

Kauçuk yastık ile donatılmış aletler için

Yün bonenin takılması veya çıkarılması (isteğe bağlı aksesuar)

Kauçuk yastığı mile takın. Kilitleme somununu milin üzerine vidalayın. (Şek. 9)

Kilitleme somununu sıkılamak için, şaft kilidinde basarak milin dönmelerini engelleyin, ardından kilitleme somunu anahtarını kullanın ve saatin aksi yönde çevirerek iyice sıkılayın.

Kauçuk yastığı çıkarmak için, montaj talimatlarını tersten izleyin. (Şek. 10)

Yün boneyi kauçuk yastığın üzerine takın. Bir imlek atın ve düğümü ve boşta kalan uçları yün bone ile kauçuk yastık arasına sıkıştırın. (Şek. 11)

Yan kavrama (tutamak) kolunun takılması (isteğe bağlı aksesuar) (Şek. 12)

⚠ DİKKAT:

- Kullanmadan önce daima yan kavrama kolunun sağlam bir şekilde takılı olduğundan emin olun.

Yan kavrama kolunu alet üzerindeki konuma şekilde gösterildiği gibi sıkıca vidalayın.

KULLANIM

Polisaj işlemi (Şek. 13)

⚠ DİKKAT:

- İşlem sırasında, her zaman güvenlik gözlükleri ve yüz siperi kullanın.

Aleti sıkı tutun. Aleti çalıştırın ve yün yastık/bone ile iş parçasına uygulama yapın.

Genel olarak, yün yastığı/boneyi iş parçasının yüzeyine yaklaşık 15 derecelik bir açıyla tutun.

Sadece hafif basınç uygulayın. Aşırı basınç uygulanması performansta düşüğe ve yün yastığın/bonenin erken yıpranmasına neden olur.

BAKIM

⚠ DİKKAT:

- Muayene ya da bakım yapmaya başlamadan önce aletin kapalı ve fişinin çekili olduğundan daima emin olun.
- Benzin, tiner, alkol ve benzeri maddeleri kesinlikle kullanmayın. Renk değişimi, deformasyon veya çatlaklar oluşabilir.

Toz kapağının temizlenmesi (Şek. 14)

Toz kapağını temizlemeniz gerektiğinde aşağıdaki adımları izleyin:

1. Toz kapağı üzerindeki vidayı sökün.
2. Toz kapağını çıkarın.
3. Toz kapağın silerek temizleyin.
4. Toz kapağının kancasını tutamak üzerindeki oyuk ile hizalayın.
5. Toz kapağını vida ile sıkılayın.

Toz kapağı kırık ya da aşırı derecede kirlenmişse yenisiyle değiştirin.

Karbon fırçaların değiştirilmesi (Şek. 15 ve 16)

Karbon fırçaları düzenli olarak çıkarıp kontrol edin. Sınır işaretine kadar yıprandıkları zaman değiştirin. Karbon fırçaların temiz ve yuvaları içinde serbestçe kayar durumda kalmalarını sağlayın. Her iki karbon fırça aynı zamanda değiştirilmelidir. Sadece birbirinin aynısı olan fırçaları kullanın.

Fırça yuvası kapaklarını çıkarmak için bir tornavida kullanın. Aşınmış karbon fırçalarını çıkarıp yenilerini takın ve fırça yuvası kapaklarını sabitleyin.

Aleti EMNİYETLİ ve ÇALIŞMAYA HAZIR durumda tutmak için onarımlar, başka her türlü bakım ve ayarlamalar, daima Makita yedek parçaları kullanılarak, Makita yetkili servis merkezleri tarafından yapılmalıdır.

İSTEĞE BAĞLI AKSESUARLAR**⚠ DİKKAT:**

- Bu aksesuarlar ve ek parçalar bu el kitabında belirtilen Makita aletiniz ile kullanılmak için tavsiye edilmektedir. Herhangi başka bir aksesuar ya da ek parça kullanılması insanlar için bir yaralanma riski getirebilir. Aksesuarları ya da ek parçaları yalnızca belirtilmiş olan kullanım amaçlarına uygun olarak kullanın.

Bu aksesuarlarla ilgili daha fazla bilgiye ihtiyaç duyarsanız bulunduğunuz yerdeki yetkili Makita servisine başvurun.

- Kilitleme somunu 48
- Kilitleme somunu anahtarı 28
- Sünger altlık (çengel ve halka)
- Yün yastığı 180 (çengel ve halka)
- Destek yastığı 165 (çengel ve halka)
- 18'lik bilezik
- Yan sap (yardımcı tutamak)
- Çember kol
- Koruyucu kapak

NOT:

- Listedeki bazı parçalar standart aksesuar olarak ürün paketinin içine dahil edilmiş olabilir. Aksesuarlar ülkeden ülkeye farklılık gösterebilir.

ENG905-1

Gürültü

EN60745 uyarınca hesaplanan tipik A-ağırlıklı gürültü düzeyi:

- Ses basınç seviyesi (L_{pA}): 83 dB (A)
- Ses güç seviyesi (L_{WA}): 94 dB (A)
- Belirsizlik (K): 3 dB (A)

Kulak koruyucusu takın**Titreşim**

EN60745 standardına göre hesaplanan titreşim toplam değeri (üç eksenli vektör toplamı):

Çalışma modu: perdahlama

Titreşim emisyonu ($a_{h, p}$): 2,5 m/s²den az

Belirsizlik (K): 1,5 m/s²

ENG902-1

- Beyan edilen titreşim emisyon değeri standart test yöntemine uygun şekilde ölçülmüştür ve bir aleti bir başkasıyla karşılaştırmak için kullanılabilir.
- Beyan edilen titreşim emisyon değeri bir ön maruz kalma değerlendirmesi olarak da kullanılabilir.
- Beyan edilen titreşim emisyon değeri bu elektrikli aletin başlıca uygulamaları için kullanılır. Ancak, bu elektrikli alet başka uygulamalar için kullanılırsa titreşim emisyon değeri farklı olabilir.

⚠ UYARI:

- Bu elektrikli aletin gerçek kullanımı sırasındaki titreşim emisyonu aletin kullanım biçimlerine bağlı olarak beyan edilen emisyon değerinden farklı olabilir.
- Gerçek kullanım koşullarındaki maruz kalmanın bir tahmini hesaplaması temelinde operatörü koruyacak güvenlik önlemlerini mutlaka belirleyin (çalışma döngüsü içerisinde aletin kapalı olduğu ve aktif durumda olmasının yanı sıra boşta çalıştığı zamanlar gibi, bütün zaman dilimleri göz önünde bulundurularak değerlendirilmelidir).

AT UYGUNLUK BEYANI**Sadece Avrupa ülkeleri için**

AT uygunluk beyanı bu kullanım kılavuzuna Ek A olarak eklenmiştir.

Makita Europe N.V. Jan-Baptist Vinkstraat 2,
3070 Kortenberg, Belgium

Makita Corporation 3-11-8, Sumiyoshi-cho,
Anjo, Aichi 446-8502 Japan