



THANK YOU FOR BUYING A WHIRLPOOL PRODUCT.
In order to receive a more complete assistance, please register your appliance on: www.whirlpool.eu/register

Before using the appliance carefully read Safety and Installation Instructions. More information about your product available on website: docs.whirlpool.eu

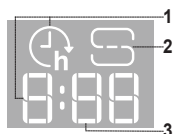
⚠ After installation, please remember to remove all transport protection parts from the dishwasher.

CONTROL PANEL



1. **ON-OFF/Reset** button with indicator light
2. **Eco program** button with indicator light
3. **Auto Intensive program** button with indicator light
4. **Auto Mixed program** button with indicator light
5. **Auto Fast program** button with indicator light
6. **Rapid program** button with indicator light
7. **Crystals program** button with indicator light/**Self-Clean program** - 3 sec. press
8. **Prewash program** button with indicator light
9. **Salt reservoir empty** indicator light
10. **Rinse Aid reservoir empty** indicator light
11. **Display**
12. **Program number and remaining time** indicator
13. **Closed water tap** indicator light
14. **DESCALE** indicator light
15. **Power Clean® option** button with indicator light
16. **Half Load option** button with indicator light
17. **Extra Dry option** button with indicator light/**Settings** - 3 sec. press
18. **Silent option** button with indicator light
19. **Sani Rinse option** button with indicator light
20. **Turbo option** button with indicator light
21. **Delay option** button with indicator light
22. **START/Pause** button with indicator light

DISPLAY ON THE FLOOR



1. **Delay Time on the floor** - indicator of the time left to the start of the cycle, when the Delay option is set
2. **Salt reservoir empty** - indicator light on the floor
3. **Remaining Time on the floor** - indicator of the time left to the end of the cycle

FIRST TIME USE

SETTING MENU

1. Switch on the appliance by pressing the **ON-OFF** button.
2. Hold the **Settings** (Extra Dry) button for 3 seconds, until you hear a beep and the display shows „**SET**“.
3. After one second the first available setting (letter „**h**“) will be displayed.
4. Press **Prewash program** / **Power Clean® option** buttons to scroll through the list of available settings (see table below), then press **START/Pause** to view and change the value of currently selected setting.
5. Press **Prewash program** / **Power Clean® option** buttons to change the value, then press **START/Pause** to save the new value.
6. To change another setting, repeat points 2 and 5.
7. Press **ON-OFF** or wait 30 seconds to exit the menu.

LETTER	SETTING	VALUES (Default - in bold)
h	Water Hardness Level (see "SETTING THE WATER HARDNESS" and "WATER HARDNESS TABLE")	1 2 3 4 5
f	Rinse Aid Level (see "ADJUSTING THE DOSAGE OF RINSE AID")	0 1 2 3 4 5
d	NaturalDry (see "OPTIONS AND FUNCTIONS") "1" = On, "0" = Off	1 0
t	Time on the floor (see "OPTIONS AND FUNCTIONS") "1" = On, "0" = Off	1 0
s	Sound "1" = On, "0" = Off	1 0
l	Internal Lights (see "OPTIONS AND FUNCTIONS") "1" = On, "0" = Off	1 0
i	Factory Settings Press START/Pause to restore to the factory default all the values of the settings included in the settings menu.	-

FILLING THE SALT RESERVOIR

The use of salt prevents the formation of LIMESCALE on the dishes and on the machine's functional components.

The salt reservoir is located in the lower part of the dishwasher (under the lower rack on the left side).

- It is mandatory that **the salt reservoir never be empty.**
- It is important to set the water hardness.
- Salt must be filled when the **SALT REFILL** indicator light on the control panel is lit.



1. Remove the lower rack and unscrew the reservoir cap (anticlockwise).
2. Position the funnel (see figure) and fill the salt reservoir right up to its edge (approximately 0,5 kg); it is not unusual for a little water to leak out.
3. **Only the first time you do this: fill the salt reservoir with water.**

4. Remove the funnel and wipe any salt residue away from the opening. Make sure the cap is screwed on tightly so that no detergent can get into the container during the wash program (this could damage the water softener beyond repair).

Run a program every time as soon as you completed refilling the salt reservoir to avoid corrosion.

Setting the water hardness

To allow the water softener to work in a perfect way, it is essential that the water hardness setting is based on the actual water hardness in your house. This information can be obtained from your local water supplier. The factory setting is "3". See "WATER HARDNESS TABLE".

Water Hardness Table			
Level	°dH German degrees	°fH French degrees	°Clark English degrees
1 (Soft)	0 - 6	0 - 10	0 - 7
2 (Medium)	7 - 11	11 - 20	8 - 14
3 (Average)	12 - 16	21 - 29	15 - 20
4 (Hard)	17 - 34	30 - 60	21 - 42
5 (Very hard)	35 - 50	61 - 90	43 - 62

To change, follow instructions in section "SETTING MENU".

Only use salt that has been specifically designed for dishwashers.

After the salt has been poured into the machine, the **SALT REFILL** indicator light switches off.

If the salt container is not filled, the water softener and the heating element may be damaged as a result of limescale accumulation.

Using of Salt is recommended with any type of dishwasher detergent.

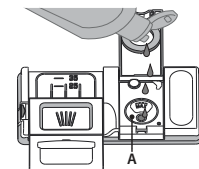
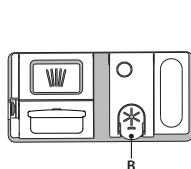
WATER SOFTENING SYSTEM

Water softener automatically reduces water hardness, consequently preventing scale buildup on the heater, contributing also to better cleaning efficiency. **This system regenerates itself with salt, therefore it is required to refill the salt container when empty.** The frequency of regeneration depends on the water hardness level setting - regeneration takes place once per **4-6** Eco cycles with the water hardness level set to **3**. During runs with regeneration, additional water management system fill will happen. The regeneration and water management process occurs at the beginning of the cycle with additional fresh water.

- Single regeneration consumes ~6.5 L of water;
- Takes up to 5 additional minutes for the cycle;
- Consumes below 0.005kWh of energy.

FILLING THE RINSE AID DISPENSER

Rinse aid makes dish **DRYING** easier. The rinse aid dispenser **A** should be filled when the **RINSE AID REFILL** indicator light on the control panel is lit.



1. Open the dispenser **B** by pressing and pulling up the tab on the lid.
2. Pour in the rinse aid (max. 110 ml), making sure it does not overflow from the dispenser. If this happens, clean the spill immediately with a dry cloth.

3. Press the lid down until you hear a click to close it. **NEVER pour the rinse aid directly into the appliance tub.**

Adjusting the dosage of rinse aid

If you are not completely satisfied with the drying results, you can adjust the quantity of rinse aid used.

To change, follow instructions in the section "SETTING MENU".

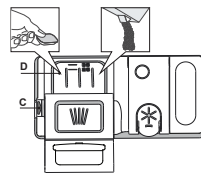
If the rinse aid level is set to ZERO, no rinse aid will be supplied. The **LOW RINSE AID indicator** light will not be lit if you run out of rinse aid.

A maximum of **6** levels can be set according to the dishwasher model.

- If you see bluish streaks on the dishes, set a low number (0-3).
- If there are drops of water or limescale marks on the dishes, set a mid-range number (4-5).

FILLING THE DETERGENT DISPENSER

To open the detergent dispenser use the opening device C. Introduce the detergent into the dry dispenser D only. Place the amount of detergent for pre-washing directly inside the tub.



1. When measuring out the detergent refer to the mentioned earlier information to add the proper quantity. Inside the dispenser **D**, there are indications to help the detergent dosing.
2. Remove detergent residues from the edges of the dispenser and close the cover until it clicks.
3. Close the lid of the detergent dispenser by pulling it up until the closing device is secured in place.

The detergent dispenser automatically opens up at the right time according to the program.

Usage of detergent not designed for dishwashers may cause malfunction or damage to the appliance.

DAILY USE

1. CHECK WATER CONNECTION

Check that the dishwasher is connected to the water supply and that the tap is open.

2. SWITCH ON THE DISHWASHER

Open the door and press the **ON/OFF** button.

3. LOAD THE RACKS (see LOADING THE RACKS).

4. FILL THE DETERGENT DISPENSER

5. CHOOSE THE PROGRAM AND CUSTOMISE THE CYCLE

Select the most appropriate program in accordance with the type of crockery and its soiling level (see *PROGRAMS DESCRIPTION*) by pressing the selected **PROGRAM** button.

Select the desired options (see *OPTIONS AND FUNCTIONS*). Not all options are compatible with all programs.

6. START

Start the wash cycle by pressing **START/Pause** button (led is lit) and closing the door within 4 sec. When the program starts you hear a single beep. If the door was not closed within 4sec., the alarm sound will be played. In this case, open the door, press **START/Pause** button and close the door again within 4 sec.

7. END OF WASH CYCLE

The end of the wash cycle is indicated by sound and the display shows **END**. Open the door and switch off the appliance by pressing the **ON/OFF** button.

Wait for a few minutes before removing the crockery - to avoid burns. Unload the racks, beginning with the lower one.

MODIFYING A RUNNING PROGRAM

If a wrong program was selected, it is possible to change it, provided that it has only just begun. **RESET** the machine: press and hold the **ON/OFF** button for more than 3. sec., and the machine will switch off. **The dashboard will show "0:01"**. Close the door and wait until drain cycle ends (around 1 minute). Open the door and switch the machine back on using the **ON/OFF** button and select the new wash cycle and any desired options. Start the cycle by pressing the **START/Pause** button and closing the door within 4 sec.

ADDING EXTRA CROCKERY

Without switching off the machine, open the door first slightly to avoid water splashing out (**START/Pause** led starts blinking) (**Caution! Hot steam!**) and place the crockery inside the dishwasher. Press the **START/Pause** button and close the door within 4 sec., the cycle will resume from the point at which it was interrupted.

ACCIDENTAL INTERRUPTIONS

If the door is opened during the wash cycle, or if there is a power cut, the cycle stops. **ONLY IF YOU PRESS** the **START/Pause** button and close the door within 4 sec., the cycle will resume from the point at which it was interrupted.

WATER MANAGEMENT SYSTEM

This dishwasher allows the storage of up to 3.2 litres of fresh water using it in the selected programs. Water is stored in a dedicated tank and will be used in the subsequently selected programs. It is recommended to perform the Self-Clean cycle (see *PROGRAMS TABLE*) periodically.

ADVICE AND TIPS

TIPS

Before loading the baskets, remove all food residues from the crockery and empty the glasses. **You do not need to rinse beforehand under running water.** Arrange the crockery so that it is held in place firmly and does not tip over; and arrange the containers with the openings facing downwards and the concave/convex parts placed obliquely, thus allowing the water to reach every surface and flow freely.

Warning: lids, handles, trays and frying pans should not prevent the sprayer arms from rotating.

Place any small items in the cutlery basket.

Very soiled dishes and pans should be placed in the lower basket because in this sector the water sprays are stronger and allow a higher washing performance. After loading the appliance, make sure that the sprayer arms can rotate freely.

UNSUITABLE CROCKERY

- Wooden crockery and cutlery.
- Delicately decorated glasses, artistic handicrafts and antique crockery. Their decorations are not resistant.
- Parts in synthetic material which do not withstand high temperatures.
- Copper and tin crockery.
- Crockery soiled with ash, wax, lubricating grease or ink.

The colours of glass decorations and aluminium/silver pieces can change and fade during the washing process. Some types of glass (e.g. crystal objects) can become opaque after a number of wash cycles too.

DAMAGE TO GLASS AND CROCKERY

- Only use glasses and porcelain guaranteed by the manufacturer as dishwasher safe.
- Use a delicate detergent suitable for crockery
- Collect glasses and cutlery from the dishwasher as soon as the wash cycle is over.

TIPS ON ENERGY SAVING

- When the household dishwasher is used according to the manufacturer's instructions, **washing tableware in a dishwasher usually consumes less energy and water than hand dishwashing.**

- In order to maximize dishwasher efficiency, it is recommended to **initiate the wash cycle once the dishwasher is fully loaded.** Loading the household dishwasher up to the capacity indicated by the manufacturer will contribute to energy and water savings. Information on the correct loading of tableware can be found in the Loading chapter. In case of partial loading, it is recommended to use a dedicated wash options if available (Half load/ Zone Wash/ Multizone), filling up only selected racks. Incorrect loading or overloading of the dishwasher may increase resources usage (such as water, energy and time, as well as increase noise level), reducing cleaning and drying performance.
- Manual pre-rinsing of tableware items leads to increased water and energy consumption and is not recommended.

HYGIENE

To avoid odour and sediment which can be accumulated in the dishwasher **please run a high-temperature program at least once a month.** Use a teaspoon of detergent and run it without loading to clean your appliance.

MOVING OR SERVICING THE DISHWASHER

This dishwasher includes a water tank that may remain full of water after the cycle ends (water can leak out if / when the dishwasher is tipped). **Note:** Before servicing or moving the dishwasher, run the Self-Clean cycle to drain the water tank.

RESISTANCE TO FROST

If the appliance is placed in surroundings exposed to the risk of frost, it **must be drained completely.** Run the Self-Clean cycle to drain the water tank. Turn off the water tap, remove the inlet and outlet hoses, and let all the water drain away. **Make sure that the water softener is full of dissolved regeneration salt in the salt container,** to protect the appliance from temperatures of up to -20°C.

If the appliance was stored in frost conditions the appliance must remain at an ambient temperature of min. 5°C for **at least 24 hours** before the first run.

PROGRAMS TABLE

Program	Programs description	Drying phase	NaturalDry	Available options *)	Duration of wash program (h: min)**)	Water consumption (litres/cycle)	Energy consumption (kWh/cycle)
Eco	Eco 50° - program is suitable to clean normally soiled tableware, that for this use, it is the most efficient program in terms of its combined energy and water consumption, and that it is used to assess compliance with the EU Ecodesign legislation.	✓	✓		4:30	9.5	0.55
	Auto Intensive 65° - Automatic program for heavily soiled dishes and pans.	✓	✓		2:25 - 3:10	15.5 - 24.5	1.30 - 1.70
	Auto Mixed 55° - Automatic program for normally soiled dishes with dried food residues.	✓	✓		1:20 - 3:00	7.5 - 19.5	0.75 - 1.20
	Auto Fast 50° - Automatic program for normally and lightly soiled dishes. The everyday cycle that ensures optimal cleaning and drying performance in shorter time.	✓	✓		1:00 - 1:50	7.5 - 15.5	0.70 - 1.10
	Rapid 45° - Program is recommended for limited amount of lightly-soiled dishes with no dried food residues. Does not include the drying phase.	-	✓		0:30 - 0:40	10.0 - 12.0	0.55 - 0.65
	Crystals 45° - Program for delicate items, which are more sensitive to high temperatures, for example glasses and cups.	✓	✓		1:40 - 1:50	12.5 - 16.5	0.95 - 1.20
	Prewash - Use to refresh crockery planned to be washed later. No detergent is to be used with this program.	-	✓		0:12	4.5	0.10
	Self-Clean 65° - Program to be used to perform maintenance of the dishwasher and water management system, to be carried out only when the dishwasher is EMPTY using specific detergents designed for dishwasher maintenance.	-	-		1:40	11.0	1.10

ECO program data is measured under laboratory conditions according to European Standard EN 60436:2020.

Note for Test Laboratories: For information on comparative EN testing conditions, please send an email to the following address: dw_test_support@whirlpool.com

Pre-treatment of the dishes is not needed before any of the programs.

*) Not all options can be used simultaneously.

**) Values given for programs other than the program Eco are indicative only. The actual time may vary depending on many factors such as temperature and pressure of the incoming water, room temperature, amount of detergent, quantity and type of load, load balancing, additional selected options and sensor calibration. The sensor calibration can increase program duration by up to 20 min.

OPTIONS AND FUNCTIONS

OPTIONS can be selected/ deselected, after choosing the program, directly by pressing the corresponding button (if available - the indicator lights up) (see CONTROL PANEL). If an option is not compatible with the selected program (see PROGRAMS TABLE), the corresponding LED flashes rapidly 3 times and beeps will sound. The option will not be enabled. An option can change time or water or energy consumption for the program.

POWER CLEAN® - Thanks to the additional power jets this option provides a more intensive and powerful wash in the lower rack, in the specific area. This option is recommended for washing pots and casseroles (Please refer to the Power Clean® loading section).

HALF LOAD - If there are not many dishes to be washed, HALF LOAD is used to save water, electricity or time, depending on the selected program. **Remember to halve the amount of detergent.**

EXTRA DRY - The higher temperature during the final rinse and the extended drying phase allow improved drying.

SILENT - Suitable for night-time operation of the appliance. This option can be used to limit noise emission during wash phases. It will increase cycle time depending on base cycle selection.

SANI RINSE - This option can be used to sanitize washed dishes. It will increase the final rinse temperature and add antibacterial wash to the selected program. Ideal to clean crockery and feeding bottles. The dishwasher door must be kept shut for the entire duration of the program in order to guarantee reduction of germs.

WARNING: the crockery and plates could be extremely hot at the end of the cycle.

TURBO - Thanks to the Turbo option you can reduce time up to 40% depending on the selected based program. Energy and water consumption are increased.

DELAY - The start of the program may be delayed for a period of time between **0:30 and 24 hours**.

1. Select the program and any desired options. Press the DELAY button (repeatedly) to delay the start of the program. Adjustable from 0:30 to 24 hours. Once the 24 hours setting is reached, press the DELAY another time to deactivate the DELAY function.
2. Press the START/Pause button and close the door within 4 sec. the timer will begin counting down.
3. Once this time has elapsed, the indicator light switches off and the program begins automatically.

The DELAY function cannot be set once a program has been started.

WATER TAP CLOSED - Alarm - Flashes when there is no inlet water or water tap is closed.

TIME ON THE FLOOR - A LED light projected on the floor indicates the time left to the end of the cycle. The light goes off every time the door is opened. The light goes off at the end of a cycle. This feature is active by default, but it is possible to deactivate it in the "SETTINGS MENU".

NaturalDry - It is a convection drying system which automatically opens the door during/after drying phase to ensure exceptional drying performance every day. Door opens at the temperature that is safe to your kitchen furniture, thus door will not be opened when the option of SANI RINSE is on. As additional steam protection, special designed protection foil is added together with the dishwasher.

To see how to mount protection foil please refer to the INSTALLATION GUIDE. This feature is active by default, but it is possible to deactivate it in the "SETTINGS MENU".

INTERNAL LIGHTS - When the feature is active the LEDs in the tub are automatically switched on/off as soon as the user open/close the door respectively. If the door remains opened for more than 10 min, the LEDs in the tub switch off (to turn them on again, the door has to be closed and opened again). This feature is active by default, but it is possible to deactivate it in the "SETTINGS MENU".

DESCALE - Alarm - Limescale accumulation was detected on the internal components of the appliance. Check if the **Water Hardness Setting** is at the correct value and **salt** is present in the salt container (see **FIRST TIME USE**), then **use a descaling product** (WPro brand is recommended) with **Self-Clean program**. After a successful descaling, the icon will stop being displayed.

If the actions above are not performed, product performance will deteriorate. DESCALE warning will start blinking and «des» alarm will appear on the display. If still no action is taken, the appliance will only allow a certain number of cycles to be started (indicated during «des» alarm display) and then will be **BLOCKED** to prevent component damage, **with only the Self-Clean program available**. Performing a full descaling will unblock the product. In the case of extremely high amounts of limescale, descaling may have to be performed twice to be efficient.

SENSING - When the sensor is detecting the soil level an animation appears in the display (around 20 min.) and the cycle duration is updated. SENSING is for the level of soiling on the dishes and is present for all cycles (excepting Eco) adjusting the program accordingly.

LOADING THE RACKS

CAPACITY: 15 standard place-settings

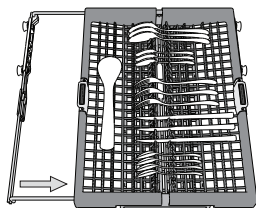
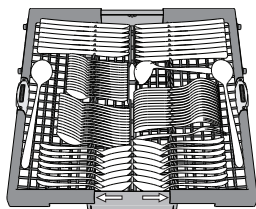
CUTLERY RACK

The third rack was designed to house the cutlery.

Arrange the cutlery as shown in the figure. A separate arrangement of the cutlery makes collection easier after washing and improves washing and drying performance.

Knives and other utensils with sharp edges must be positioned with the blades facing downwards.

The cutlery rack is equipped with two sliding side trays to make the most of the height of the space below and enable the loading of high items into the upper rack.

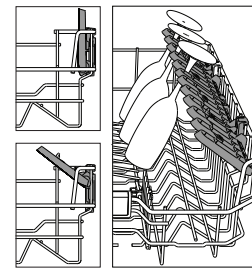


Foldable flaps with adjustable position

The side foldable flaps can be folded or unfolded to optimize the arrangement of crockery inside the rack. Wine glasses can be placed safely in the foldable flaps by inserting the stem of each glass into the corresponding slots.

Depending on the model:

- to unfold the flap there is needed to slide it up and rotate or release it from the snaps and pull it down.
- to fold the flap there is needed to rotate it and slide flap down or pull it up and attach flap to the snaps.

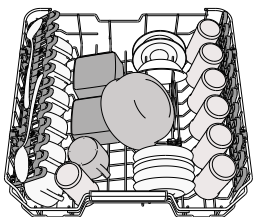


UPPER RACK

Load delicate and light dishes: glasses, cups, saucers, low salad bowls.

The upper rack has tip-up supports which can be used in a vertical position when arranging tea/ dessert saucers or in a lower position to load bowls and food containers.

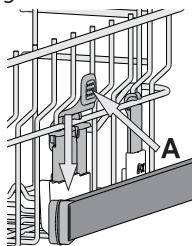
(loading example for the upper rack)



Adjusting the height of the upper rack

The height of the upper rack can be adjusted: a high position to place bulky crockery in the lower basket and low position to make the most of the tip-up supports by creating more space upwards and avoiding collision with the items loaded into the lower rack.

The upper rack is equipped with an **Upper Rack height adjuster** (see figure), without pressing the levers, lift it up by simply holding the rack sides, as soon as the rack is stable in its upper position. To restore to the lower position, press the levers **A** at the sides of the rack and move the basket downwards.



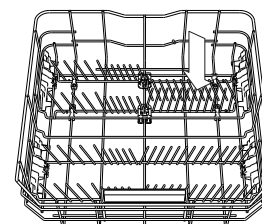
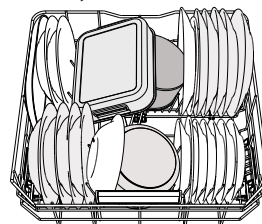
We strongly recommend that you do not adjust the height of the rack when it is loaded.

NEVER raise or lower the basket on one side only.

LOWER RACK

For pots, lids, plates, salad bowls, cutlery etc. Large plates and lids should ideally be placed at the sides to avoid interferences with the spray arm.

The lower rack has tip-up supports which can be used in a vertical position when arranging plates or in a horizontal position (lower) to load pans and salad bowls easily.



(loading example for the lower rack)

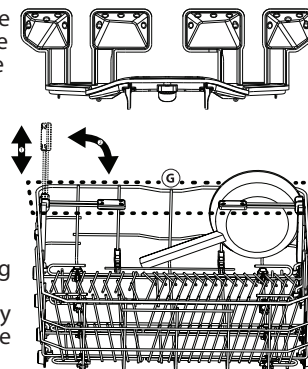
POWER CLEAN®

Power Clean® uses the special water jets in the rear of the cavity to wash more intensively the highly dirty items. The lower rack has a Space Zone, a special pull-out support in the rear of the rack that can be used to support frying pans or baking pans in an upright position, thus taking up less space.

Placing the pots/casseroles faced to the Power Clean® component please activate the **POWER CLEAN®** on the panel.

How to use the Power Clean®:

1. Adjust the Power Clean® area **G** folding down the rear plate holders to load pots.
2. Load pots and casseroles inclined vertically in the Power Clean® area. Pots have to be inclined towards the powerful water jets.



CARE AND MAINTENANCE

CLEANING THE FILTER ASSEMBLY

Regularly clean the filter assembly so that the filters do not clog and that the waste water flows away correctly.

Using the dishwasher with clogged filters or foreign objects inside the filtration system or spray arms may cause unit malfunction resulting in loss of performance, noisy work or higher resources usage.

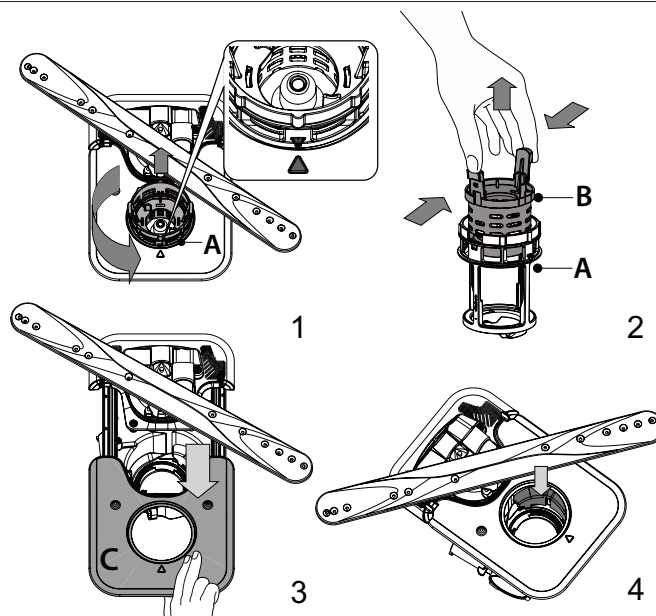
The filter assembly consists of three filters which remove food residues from the washing water and then recirculate the water.

The dishwasher must not be used without filters or if the filter is loose.

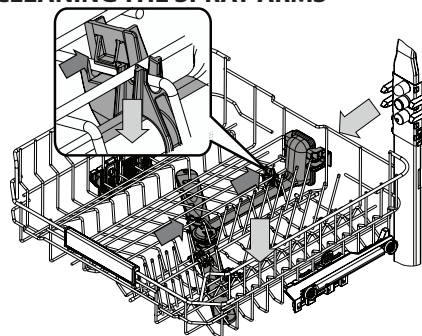
At least once per month or after every 30 cycles, check the filter assembly and if necessary clean it thoroughly under running water, using a non-metallic brush and following the instructions below:

1. Turn the cylindrical filter **A** in an anti-clockwise direction and pull it out (Fig 1). **It is important when reinstalling the filter that the two triangles shown on the zoom meet.**
2. Remove the cup filter **B** by exerting a slight pressure on the side flaps (Fig 2).
3. Slide out the stainless-steel plate filter **C** (Fig 3).
4. In case you find foreign objects (such as broken glass, porcelain, bones, fruit seeds etc.) **please remove them carefully.**
5. Inspect the trap and remove any food residues. **NEVER REMOVE** the wash-cycle pump protection (shown by an arrow) (Fig 4).

After cleaning the filters, replace the filter assembly and fix it in position correctly; this is essential for maintaining the efficient operation of the dishwasher.

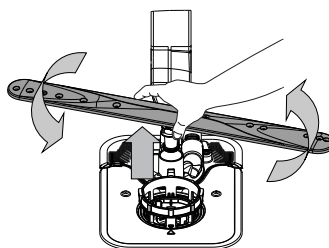


CLEANING THE SPRAY ARMS

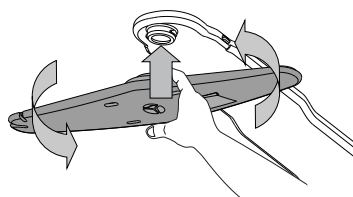


On occasions, food residue may become encrusted onto the spray arms and block the holes used to spray the water. It is therefore recommended that you check the arms from time to time and clean them with a small non-metallic brush.

To remove the upper spray arm you must remove it together with the manifold.



The lower spray arm may be removed by pulling it upwards and rotating it anti-clockwise. Mounting back the spray arm is by pulling it down and rotating it clockwise.



The top spray arm may be removed by pressing it up and then rotating it anti-clockwise. Mounting back the spray arm is by pulling it upwards and rotating it clockwise.

TROUBLESHOOTING

In case your dishwasher doesn't work properly, check if the problem can be solved by going through the following list. For other errors or issues please contact authorized After-sales Service whose contact details can be found in the warranty booklet. Spare parts will be available for a period of either up to 7 or up to 10 years, according to the specific Regulation requirements.

PROBLEMS	POSSIBLE CAUSES	SOLUTIONS
The salt indicator is lit	Salt reservoir is almost empty.	Refill the reservoir with salt (for more information - see <i>FILLING THE SALT RESERVOIR</i>). Check the water hardness setting if necessary (see <i>WATER HARDNESS TABLE</i>).
The salt indicator is blinking	Salt reservoir is empty.	Refill the reservoir with salt as soon as possible. Using the appliance without salt may cause damage to its internal components.
The rinse aid indicator is lit or blinking	Rinse aid dispenser is empty. (After refill the rinse aid indicator may remain lit for a short time).	Refill the dispenser with rinse aid (for more information - see <i>FILLING THE RINSE AID DISPENSER</i>).
Descaling indicator is lit or blinking; "dES" alarm is displayed.	Limescale is accumulating on internal components of the appliance.	Descale the appliance immediately using the Self Clean program and a commercially available descaling product (see <i>OPTIONS AND FUNCTIONS</i>). Refill the reservoir with salt. Check the water hardness setting. If the appliance is not descaled, it will stop functioning.
The dishwasher won't start or does not respond to commands.	The appliance has not been plugged in properly.	Insert the plug into the socket.
	Power outage.	For safety reasons, the dishwasher will not restart automatically when power returns. Open dishwasher door, press START/Pause button and close the door within 4 seconds.
	The dishwasher door is not closed. NaturalDry pin is not pulled in.	Vigorously push the door until you hear the "click".
	A cycle is interrupted by door opening for more than 4 seconds.	Press START/Pause and close the door within 4 seconds.
The dishwasher won't drain. Display shows: F7 E3 or F9 E1	The filter is clogged with food residues or limescale	Clean the filter and descale the appliance (see <i>CLEANING THE FILTER ASSEMBLY and DESCALE INSTRUCTION</i>).
	The drain hose is kinked.	Check the drain hose (see <i>INSTALLATION INSTRUCTION</i>).
	The sink drain pipe is blocked.	Clean the sink drain pipe.
The dishwasher makes excessive noise.	Dishes are rattling against each other.	Position the crockery correctly (see <i>LOADING THE RACKS</i>).
	An excessive amount of foam is present.	The detergent has not been measured out correctly or it is not suitable for use in dishwashers (see <i>FILLING THE DETERGENT DISPENSER</i>). Restart the current cycle by switching OFF the dishwasher, then switch it on again, select a new program, press START/Pause and close the door within 4 seconds. Please do not add any detergent.
	Crockery has not been arranged properly.	Arrange the crockery correctly (see <i>LOADING THE RACKS</i>).
	The filter is clogged with food residues or limescale.	Clean the filter assembly (see <i>CARE AND MAINTENANCE</i>).
The dishes are not clean.	Crockery has not been arranged properly.	Arrange the crockery correctly (see <i>LOADING THE RACKS</i>).
	Spray arms cannot rotate freely, being hindered by the dishes.	Arrange the crockery correctly (see <i>LOADING THE RACKS</i>). Check that the upper rack is in the correct position and adjust (lift up) if necessary.
	The wash cycle is too gentle.	Select an appropriate wash cycle (see <i>PROGRAMS TABLE</i>).
	An excessive amount of foam is present.	The detergent has not been measured out correctly or it is not suitable for use in dishwashers (see <i>FILLING THE DETERGENT DISPENSER</i>).
	The cap on the rinse aid compartment has not been closed correctly.	Make sure the cap of the rinse aid dispenser is closed.
	The filter is clogged with food residues or limescale.	Clean the filter and descale the appliance (see <i>CLEANING THE FILTER ASSEMBLY</i>).
	The salt reservoir is empty.	Fill the salt reservoir (see <i>FILLING THE SALT RESERVOIR</i>).

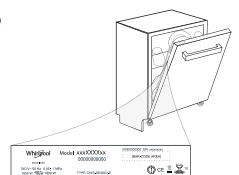
PROBLEMS	POSSIBLE CAUSES	SOLUTIONS
The dishwasher does not fill the water. The display shows: H2O and \emptyset is lit; acoustic alarm sounds.	No water in the water supply or the tap is closed.	Make sure there is water in the water supply and the water tap is open.
	The water inlet hose is kinked.	Check the inlet hose (see <i>INSTALLATION</i>). Open dishwasher door, press START/Pause button and close the door within 4 seconds.
	The screen in the water inlet hose is clogged; it is necessary to clean it.	Check and clean the screen in the water inlet hose. Open dishwasher door, press START/Pause button and close the door within 4 seconds.
The dishwasher finishes the cycle prematurely. The display shows: F8 E3	The filter is clogged with food residues or lime-scale.	Clean the filter and descale the appliance (see <i>CLEANING THE FILTER ASSEMBLY and DESCALE INSTRUCTION</i>).
	Drain hose positioned too low or siphoning into the home sewage system.	Check if the end of the drain hose is placed at the correct height (see <i>INSTALLATION</i>). Check for siphoning into the home sewage system, and install a siphon breaker/air admittance valve if necessary.
	An excessive amount of foam is present.	The detergent has not been measured out correctly or it is not suitable for use in dishwashers (see <i>FILLING THE DETERGENT DISPENSER</i>).
	Air in the water supply.	Check water supply for leaks or other issues letting air inside.
The dishes are not dried well.	Rinse aid is not present or the dosage is too low.	Make sure the rinse aid dispenser is filled (see <i>FILLING THE RINSE AID DISPENSER</i>). Multifunctional tablets only will not provide as good drying effects as the actual use of liquid rinse aid.
	The dishes have been unloaded after the door was opened automatically but before the actual cycle end.	Make sure the cycle has ended before starting to unload the dishes (see <i>DAILY USE</i>). For even better drying results, it is recommended to let the dishes sit inside the dishwasher with the door open for additional 15 minutes after the cycle ends.
	The dishes are sitting too flat.	If you notice puddles of water inside cavities of cups, mugs or bowls, try loading the dishes (especially in the upper rack) providing more inclination to let larger amounts of water drip down before drying starts.
	The selected cycle does not have the drying phase.	Please check in the <i>PROGRAMS TABLE</i> if the selected program is equipped in the drying phase. A cycle without the drying phase may not deliver desired drying efficiency, so it is recommended to change cycle selection for the one that has the drying phase.
	The dishes are made of non-stick or plastic.	Some water drops remaining on this type of material are normal.
Dishes and glasses have blue streaks or bluish tinges.	Rinse aid dosage is excessive.	Adjust the dosage to a lower setting.
Dishes and glasses are covered with limescale or a whitish film.	The salt reservoir is empty.	Refill the reservoir with salt as soon as possible. Using the appliance without salt may cause damage to its internal components.
	The water hardness setting is too low.	Increase the setting (see <i>WATER HARDNESS TABLE</i>).
	The cap of the salt reservoir is not properly closed.	Check and close the salt reservoir cap.
	The rinse aid reservoir is empty or the rinse aid dosage is insufficient.	Refill the dispenser with rinse aid and check the dosage setting (for more information - see <i>FILLING THE RINSE AID DISPENSER</i>).
The dishwasher shows F8 E5	Valve is blocked or faulty.	Close the water tap, if possible. Do not switch off the power supply. Call the service.



Policies, standard documentation, ordering of spare parts and additional product information can be found by:

- Using QR code and visiting our website: docs.whirlpool.eu
- Visiting our website: parts-selfservice.whirlpool.com
- Alternatively, **contact our After-sales Service** (See phone number in the warranty booklet). When contacting our After-sales Service, please state the codes provided on your product's identification plate.

The model information can be retrieved using the QR-Code reported in the energy label. The label also includes the model identifier that can be used to consult the portal of the registry at <https://eprel.ec.europa.eu>





БЛАГОДАРИМ ВИ, ЧЕ ЗАКУПИХТЕ ПРОДУКТ НА WHIRLPOOL.
За да получавате по-пълно съдействие, регистрирайте
Вашия уред на: www.whirlpool.eu/register

Преди да използвате уреда, прочетете внимателно указанията за безопасност и инсталирани. Повече информация за вашия продукт ще намерите на уебсайт: docs.whirlpool.eu



След инсталиране не забравяйте да махнете всички транспортни части от съдомиялната.

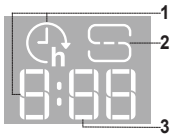
КОНТРОЛЕН ПАНЕЛ



1. Бутон **ВКЛ.-ИЗКЛ. / Нулиране** със светлинен индикатор
2. Бутон за **програма Еко** със светлинен индикатор
3. Бутон за **програма Авт. Интензивн** със светлинен индикатор
4. Бутон за **програма Авт. Микс** със светлинен индикатор
5. Бутон за **програма Авт. Бърза** със светлинен индикатор
6. Бутон за **програма Бърза** със светлинен индикатор
7. Бутон за **програма Кристал** със светлинен индикатор/
Самопочистване - натиснете за 3 сек
8. Бутон за **програма Предв. Изплакване** със светлинен индикатор
9. Светлинен индикатор за празен резервоар за **Сол**
10. Светлинен индикатор за празен резервоар за **Препарат За Изплакване**
11. **Дисплей**

12. Индикатор за **номер на програма и оставащо време**
13. Светлинен индикатор за **Кран на водата затворен**
14. Светлинен индикатор за **ОТСТРАНЯВАНЕ НА КОТЛЕН КАМЪК**
15. Бутон за **опция Power Clean** със светлинен индикатор
16. Бутон за **опция Половин зареждане** със светлинен индикатор
17. Бутон за **опция Допълнително Изсушаване** със светлинен индикатор/
Настройки - натиснете за 3 сек
18. Бутон за **опция Безшумно** със светлинен индикатор
19. Бутон за **опция Изплакване за Дезинфекция** със светлинен индикатор
20. Бутон за **опция Турбо** със светлинен индикатор
21. Бутон за **опция Отлагане** със светлинен индикатор
22. Бутон **СТАРТ/Пауза** със светлинен индикатор

ДИСПЛЕЙ НА ПОДА



1. Индикатор за времето на закъснение на пода - индикатор за оставащото време до началото на цикъла, когато е зададена опция Забавяне
2. Светлинен индикатор на пода за празен резервоар за сол
3. Индикатор за **оставащо време на пода** - индикатор за оставащото време до края на цикъла

УПОТРЕБА ЗА ПРЪВ ПЪТ

МЕНЮ С НАСТРОЙКИ

1. Включете уреда, като натиснете бутона **ВКЛ.-ИЗКЛ.**
2. Задръжте бутон **Настройки** (Допълнително Изсушаване $\{ \} \{ + \}$ за 3 секунди, докато чуете звук сигнал и на дисплея се покаже „**SET**“
3. След една секунда ще се покаже първата налична настройка (буква „**h**“).
4. Натиснете **програма Предв. Изплакване** / **опция Power Clean**, за да превъртите през списъка с налични настройки (вижте таблицата по-долу), след това натиснете **СТАРТ/Пауза**, за да видите и промените стойността на текущо избраната настройка.
5. Натиснете **програма Предв. Изплакване** / **опция Power Clean**, за да промените стойността, след това натиснете **СТАРТ/Пауза**, за да запазите новата стойност.
6. За да промените друга настройка, повторете точки 2 и 5.
7. Натиснете **ВКЛ.-ИЗКЛ.** или изчакайте 30 секунди, за да излезете от менюто.

БУКВА	НАСТРОЙКИ	СТОЙНОСТИ (По подразбиране - с удебелен шрифт)
h	Ниво на Твърдост на Водата (вж. „НАСТРОЙВАНЕ НА ТЪВРДОСТА НА ВОДАТА“ и „ТАБЛИЦА ЗА ТЪВРДОСТА НА ВОДАТА“)	1 2 3 4 5
f	Ниво на Изплаквач Препарат (вж. „РЕГУЛИРАНЕ НА ДОЗИРАНЕТО НА ПРЕПАРАТА ЗА ИЗПЛАКВАНЕ“)	0 1 2 3 4 5
o	NaturalDry (вж. „ОПЦИИ И ФУНКЦИИ“) "1" = Вкл., "0" = Изкл.	1 0
l	Подсветка с времетраене (вж. „ОПЦИИ И ФУНКЦИИ“) "1" = Вкл., "0" = Изкл.	1 0
s	Звук "1" = Вкл., "0" = Изкл.	1 0
l	Вътрешно осветление (вж. „ОПЦИИ И ФУНКЦИИ“) "1" = Вкл., "0" = Изкл.	1 0
-	Фабрични Настройки Натиснете СТАРТ/Пауза , за да възстановите фабричните настройки по подразбиране на всички стойности на настройките, включени в менюто с настройки.	-

ЗАРЕЖДАНЕ НА РЕЗЕРВОАРА ЗА СОЛ

Използването на сол предотвратява образуването на КОТЛЕН КАМЪК по съдовите и функционалните компоненти на машината. Резервоарът за сол се намира в долната част на съдомиялната машина (под долната кошница от лявата страна).

- Задължително е **резервоарът за сол никога да не остава празен.**
- Важно е да зададете твърдостта на водата.
- Когато светлинният индикатор **ЗАРЕЖДАНЕ НА СОЛ** на контролния панел свети, трябва да добавите сол.



1. Отстранете долната кошница и развийте капачката на резервоара (обратно на часовниковата стрелка).
2. Поставете фунията (вж. фигурата) и напълнете резервоара за сол до ръба (около 0,5 kg); Не е необичайно да изтече малко вода.
3. **Само първия път правите това: напълнете резервоара за сол с вода.**

4. Отстранете фунията и забършете остатъците от сол от отвора. Уверете се, че капачката е завита здраво, така че по време на програмата за миене препаратът да не може да влезе в резервоара (това може да повреди непоправимо омекотителя за вода).

Пуснете програма всеки път, веднага след като завършите **презареждането на резервоара за сол, за да избегнете корозия.**

Настройване на твърдост на водата

За да може омекотителят за вода да работи идеално, е особено важно настройката за твърдостта на водата да се базира на реалната твърдост на водата в дома ви. Можете да получите тази информация от местния си доставчик на вода. Фабричната настройка е "3". Вж. „ТАБЛИЦА ЗА ТЪВРДОСТА НА ВОДАТА“. За да промените, следвайте инструкциите в раздел „МЕНЮ С НАСТРОЙКИ“.

Ниво	°dH	°fH	°Clark
	Германски градуси	Френски градуси	Английски градуса
1 (Мека)	0 - 6	0 - 10	0 - 7
2 (Умерена)	7 - 11	11 - 20	8 - 14
3 (Средна)	12 - 16	21 - 29	15 - 20
4 (Твърда)	17 - 34	30 - 60	21 - 42
5 (Много твърда)	35 - 50	61 - 90	43 - 62

Използвайте само сол, която е предназначена специално за съдомиялни машини. След като поставите сол в машината, светлинният индикатор ЗАРЕЖДАНЕ НА СОЛ се изключва. Ако контейнерът за сол не бъде напълнен, възможно е в резултат на натрупване на варовик да се повреди омекотителят за вода и нагревателният елемент. Използването на сол е препоръчително с всякакъв тип миялен препарат.

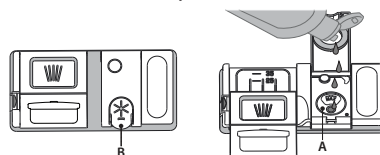
СИСТЕМА ЗА ОМЕКОТЯВАНЕ НА ВОДАТА

Омекотителят за вода намалява автоматично твърдостта на водата, като по този начин предотвратява натрупването на варовик по нагревателя и повишава ефективността при почистване. Системата се регенерира сама със сол, затова е необходимо да допълвате контейнера със сол, когато се изпразни. Честотата на регенериране зависи от настройката на нивото на твърдост на водата - регенерирането се извършва веднъж на всеки 4-6 цикъла Еко с ниво на твърдост на водата, зададено на 3. По време на цикли с регенериране ще се извърши допълнително запълване на системата за управление на водата. Процесът на регенериране и управление на водата се извършва в началото на цикъла с допълнителна прясна вода.

- Едно регенериране използва: ~6,5 литра вода;
- Към цикъла се добавят 5 допълнителни минути;
- Консумира се по-малко от 0,005 kWh енергия.

ЗАРЕЖДАНЕ НА ДОЗАТОРА ЗА ПОМОЩНО СРЕДСТВО ЗА ИЗПЛАКВАНЕ

Помощното средство за изплакване улеснява СУШЕНЕТО. Дозаторът за помощното средство за изплакване **A** трябва да се пълни, когато светлинният индикатор ЗАРЕЖДАНЕ НА ПОМОЩНО СРЕДСТВО ЗА ИЗПЛАКВАНЕ на контролния панел светне.



1. Отворете дозатора **B**, като натиснете и дръпнете нагоре издатината на капака.
2. Внимателно добавете помощното средство за изплакване до максималната (110 ml) референтна маркировка на мястото за пълнене - избягвайте да разливате.

Ако това се случи, почистете разливането незабавно със суха кърпа. Натиснете капака надолу, докато чуете щракване, за да го затворите. **НИКОГА не наливайте помощното средство за изплакване направо във ваничката.**

ТАБЛИЦА НА ПРОГРАМИТЕ

Програма	Описание на програмите	Фаза на сушене NaturalDry	Налични опции *)	Времетраене на програмата за миене (ч:МИН) ^{**)}	Потребление на вода (литра/програма)	Потребление на енергия (kWh/програма)
Есо	Еко 50° - Програмата е подходяща за почистване на нормално замърсена домакинска посуда, като използвана по този начин, програмата е най-ефективна по отношение на комбинираното потребление на енергия и вода и отговаря на законодателството на ЕС по отношение на екологичния дизайн.	✓ ✓		4:30	9,5	0,55
	Авт. Интензивн 65° - Автоматична програма за силно замърсени съдове и тигани.	✓ ✓		2:25 - 3:10	15,5 - 24,5	1,30 - 1,70
	Авт. Микс 55° - Автоматична програма за нормално замърсени съдове с остатъци от засъхнала храна.	✓ ✓		1:20 - 3:00	7,5 - 19,5	0,75 - 1,20
	Авт. Бърза 50° - Автоматична програма за нормално и леко замърсени съдове. Всекидневната програма, която осигурява оптимална ефективност на почистването и изсушаването за по-кратко време.	✓ ✓		1:00 - 1:50	7,5 - 15,5	0,70 - 1,10
	Бърза 45° - Програмата се препоръчва за ограничено количество леко замърсени съдове без засъхнали остатъци от храна. Не включва фаза на сушене.	- ✓		0:30 - 0:40	10,0 - 12,0	0,55 - 0,65
	Кристал 45° - Програма за фини изделия, които са чувствителни към високи температури, например стъклени и порцеланови чаши.	✓ ✓		1:40 - 1:50	12,5 - 16,5	0,95 - 1,20
	Предв. Изплакване - Използва се за освежаване на съдовете, които ще бъдат измити по-късно. За тази програма не се използва препарат.	- ✓		0:12	4,5	0,10
	Самопочистване 65° - Програмата, използвана за извършване на поддръжка на съдомиялната машина и системата за управление на водата, да се извършва само когато съдомиялната машина е ПРАЗНА, като се използват специфични препарати, предназначени за поддръжка на съдомиялна машина.	- -		1:40	11,0	1,10

Данните за програмата ЕКО са измерени в лабораторни условия съгласно Европейски стандарт EN 60436:2020.

Бележки за тестовите лаборатории: за информация относно сравните с EN тестови условия изпратете имейл на следния адрес: dw_test_support@whirlpool.com. Не е необходимо предварително третиране на съдовете преди пускане на която и да било програма.

*) Не всички опции могат да се използват едновременно.

**) Стойностите, дадени за програмите, с изключение на програмата Есо, са само ориентировъчни. Реалното време може да се различава в зависимост от множество фактори, като температурата и налягането на подаваната вода, температурата в помещението, количеството препарат, количеството и вида на зареждането, балансирането на зареждането, допълнителните избрани опции и калибрирането на сензора. Калибрирането на сензора може да увеличи продължителността на програмата с до 20 мин.

ОПЦИИ И ФУНКЦИИ

ОПЦИИ МОГАТ ДА СЕ ИЗБИРАТ/ОТМЕНЯТ СЛЕД ИЗБОР НА ПРОГРАМА ДИРЕКТНО ЧРЕЗ НАТИСКАНЕ НА СЪОТВЕТНИЯ БУТОН (АКО ИМА ТАКЪВ - ИНДИКАТОРЪТ СВЕТА) (ВЖ. КОНТРОЛЕН ПАНЕЛ). Ако дадена опция не е съвместима с избраната програма (вж. ТАБЛИЦА НА ПРОГРАМИТЕ), съответният светодиод мига бързо 3 пъти и се чуват звукови сигнали. Опцията не е активна. Една опция може да промени времето или консумацията на вода или енергия за програмата.

POWER CLEAN® - Благодарение на допълнителните мощни водни струи, тази опция осигурява по-интензивно и по-силно измиване в специфичната зона в долната кошница. Тази опция се препоръчва за измиване на тенджери и огнеупорни съдове. (моля, направете справка с раздела за зареждане на Power Clean®).

ПОЛОВИН ЗАРЕЖДАНЕ - ако няма много съдове за миене, за икономия на вода, ел. енергия и време се използва ПОЛОВИН ЗАРЕЖДАНЕ. Не забравяйте да намалите количеството миеш препарат.

ДОПЪЛНИТЕЛНО ИЗСУШАВАНЕ - По-високата температура по време на последното изплакване и удължената фаза на сушене позволява подобро сушене.

БЕЗШУМНА - Подходяща за пускане на уреда през нощта. Тази опция може да се използва за ограничаване на емисиите на шум по време на фазите на пране. Това ще увеличи времето на цикъла в зависимост от избора на основен цикъл.

ИЗПЛАКВАНЕ ЗА ДЕЗИНФЕКЦИЯ - Тази опция може да се използва за дезинфекциране на измитите съдове. Тя ще увеличи температурата на последното изплакване и ще добави антибактериално измиване към избраната програма. Идеална за почистване на съдове и бутилки за хранене. Вратичката на съдомиялната машина трябва да се държи затворена по време на цялата програма, за да се гарантира намаляване на бактериите.

ПРЕДУПРЕЖДЕНИЕ: съдовете е възможно да са много горещи в края на програмата.

ТУРБО - Благодарение на опцията ТУРБО можете да намалите времето с до 40% в зависимост от избраната основна програма. Консумацията на енергия и вода се увеличава.

ОТЛАГАНЕ - Стартирането на програмата може да се отложи за период от време между **0:30 и 24 часа**.

1. Изберете програмата и желаните опции. Натиснете (неколкократно) бутона ОТЛАГАНЕ, за да отложите старта на програмата. Може да се настройва от 0:30 до 24 часа. След достигане на настройката за 24 часа натиснете бутона ОТЛАГАНЕ още веднъж, за да деактивирате функцията ОТЛАГАНЕ.

2. Натиснете бутона СТАРТ/Пауза и затворете вратата в рамките на 4 сек. Таймерът ще започне отброяването.

3. След изтичане на времето светлинният индикатор изгасва и програмата започва автоматично.

Функцията ОТЛАГАНЕ не може да се зададе след стартиране на програмата.

ПОДСВЕТКА С ВРЕМЕТРАЕНЕ - LED светлина, проектирана на пода, показва оставащото време до края на цикъла. Лампата изгасва при всяко отваряне на вратата. Лампата изгасва в края на всеки цикъл. Тази функция е активна по подразбиране, но е възможно да се изключи от МЕНЮ НАСТРОЙКИ.

NaturalDry - Това е система за конвекционно сушене, която автоматично отваря вратата по време на/след фазата на сушене, за да осигури изключителна ефективност на сушене всеки ден. Вратичката се отваря при температура, която е безопасна за вашите кухненски мебели, следователно тя няма да се отвори, когато е включена опцията ИЗПЛАКВАНЕ ЗА ДЕЗИНФЕКЦИЯ. Като допълнителна защита от пара, заедно със съдомиялната се добавя специално разработено защитно фолио. За да видите как се монтира предпазното фолио, вижте РЪКОВОДСТВОТО ЗА МОНТАЖ. Тази функция е активна по подразбиране, но е възможно да я деактивирате от меню „МЕНЮ С НАСТРОЙКИ“.

ВЪТРЕШНО ОСВЕТЛЕНИЕ - Когато функцията е активирана, светодиодите във ваната автоматично се включват/изключват, веднага след като потребителят отвори/затвори вратичката. Ако вратичката остане отворена за 10 минути, светодиодите във ваната се изключват (за да ги включите отново, вратичката трябва да се затвори и отвори повторно).

Тази функция е активна по подразбиране, но е възможно да я деактивирате от меню „МЕНЮ С НАСТРОЙКИ“.

ОТСТРАНЯВАНЕ НА КОТЛЕН КАМЪК - Аларма - Открито е натрупване на котлен камък по външните компоненти на уреда. Проверете дали **Настройката За Твърдост На Водата** е на правилната стойност и дали има сол в контейнера за сол (вж. УПОТРЕБА ЗА ПРЪВ ПЪТ), след това **използвайте продукт за отстраняване на котлен камък** (препоръчва се марка WPro) с **програма Самопочистване**. След успешно отстраняване на котления камък иконата ще спре да се показва. Ако действията по-горе не бъдат извършени, работата на продукта ще се влоши. Предупреждението ОТСТРАНЯВАНЕ НА КОТЛЕН КАМЪК ще започне да мига и на дисплея ще се появи аларма «dES». Ако все още не се предприемат действия, уредът ще позволи само определен брой цикли да бъдат стартирани (посочено по време на показването на алармата «dES») и след това ще бъде **БЛОКИРАН**, за да се предотврати повреда на компонента, **като е налична само програма Самопочистване**. Извършването на пълно отстраняване на котления камък ще деблокира продукта. В случай на изключително големи количества варовик може да се наложи премахването на котления камък да се извърши два пъти, за да бъде ефективно.

ЧУВСТ - Когато сензорът разпознава нивото на замърсяване, на дисплея се появява анимация (около 20 минути) и продължителността на цикъла се актуализира. Отчитането е за нивото на замърсяване на съдовете и е налице за всички цикли (с изключение на Eco), като съответно се коригира програмата.

КРАН НА ВОДАТА ЗАТВОРЕН – Аларма - Премигва, когато не се подава вода или кранът на водата е затворен.

ЗАРЕЖДАНЕ НА КОШНИЦИТЕ

ВМЕСТИМОСТ: 15 стандартни комплекта за хранене

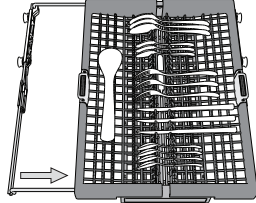
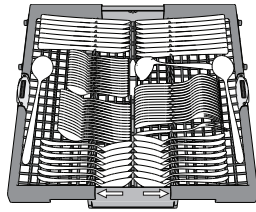
КОШНИЦА ЗА ПРИБОРИ

Третата кошница е проектирана за поставяне на прибори. Подредете приборите, както е показано на фигурата.

Отделното подреждане на приборите прави събирането по-лесно след миене и подобрява ефективността на миенето и сушенето.

Ножовете и другите прибори с остри ръбове трябва да се поставят с остриетата надолу.

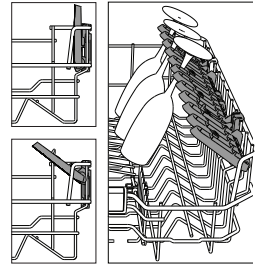
Кошницата за прибори е оборудвана с две плъзгачи се странични тавички за максимално използване на височината на пространството отдолу и за да могат да се подреждат високи изделия в горната кошница.



Сгъваеми капаци с регулируема позиция

Страничните капаци могат да се сгъват или разгъват, за да се оптимизира подреждането на съдовете в кошницата. Чашите за вино могат да се поставят безопасно в сгъваемите капаци, като столчето на всяка чаша се вмъкне в съответния процеп. В зависимост от модела:

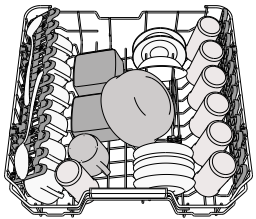
- за да разгънете капациите, е необходимо да ги плъзнете нагоре и да ги завъртите или да ги освободите от закопчалките им и да ги издърпате надолу.
- за да сгънете капациите, е необходимо да ги завъртите и да плъзнете капациите надолу или да ги дръпнете нагоре и да ги закачите за закопчалките.



ГОРНА КОШНИЦА

Заредете деликатните и леки съдове: стъклени и порцеланови чаши, чинийки, ниски купи за салата.

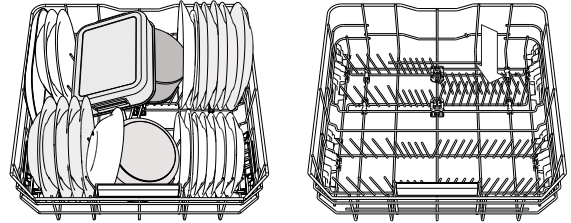
Горната кошница има разгъващи се опори, които могат да се използват във вертикално положение при подреждане на чинийки за чай/десерт или в по-ниска позиция за поставяне на купи и съдове за храна.



(пример за зареждане на горната кошница)

ДОЛНА КОШНИЦА

За тенджери, капаци, чинии, купи за салата и т.н. Едрите чинии и капаци следва в идеалния случай да се поставят отстрани, за да не възпрепятстват разпръскващото рамо. Долната кошница има разгъващи се опори, които могат да се използват във вертикално положение при подреждане на чинии или в хоризонтална позиция за лесно поставяне на тави и купи за салата.

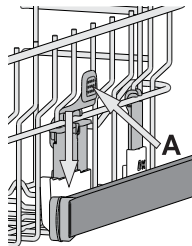


(пример за зареждане на долната кошница)

Регулиране на височината на горната кошница

Височината на горната кошница може да се регулира: висока позиция за поставяне на обемни съдове в долната кошница и ниска позиция за пълноценно използване на наклонящите се опори, като се създава повече място нагоре и се избягва сблъскване с изделията в долната кошница.

Горната кошница е оборудвана с **Регулатор на височината на горната кошница** (вж. фигурата), без да натискате лостовите, повдигнете нагоре, като просто хванете кошницата отстрани веднага след като кошницата стане стабилна в по-високата си позиция. За да възстановите по-ниската позицията, натиснете лостовите **A** отстрани на кошницата и преместете кошницата надолу.



Силно препоръчваме да не регулирате височината на кошницата, когато е заредена. НИКОГА не повдигайте или спускайте кошницата само от едната страна.

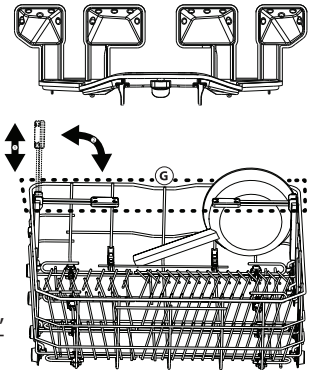
POWER CLEAN® (ПАУЪР КЛИЙН)

Power Clean® използва специални водни струи отзад на кухнята за по-интензивно измиване на високи замърсени съдове. Долната кошница има Свободна зона, специална издърпваща се опора в задния край на кошницата, която може да се използва за опора за тигани или тави в изправено положение, така че да заемат по-малко място.

Поставете тенджерите/огнеупорните съдове насочени към компонента Пауър Клийн и активирайте **POWER CLEAN®** на панела.

Как да използвате Power Clean®:

1. Регулирайте зоната на Power Clean® (G), като подгънете задните поставки за чинии, за да заредите с тенджери.
2. Зареждайте тенджери и касероли, наклонени вертикално, в зоната на Power Clean®. Тенджерите трябва да са наклонени към мощните водни струи.



ГРИЖИ И ПОДДРЪЖКА

ПОЧИСТВАНЕ НА ФИЛТЪРНИЯ ВЪЗЕЛ

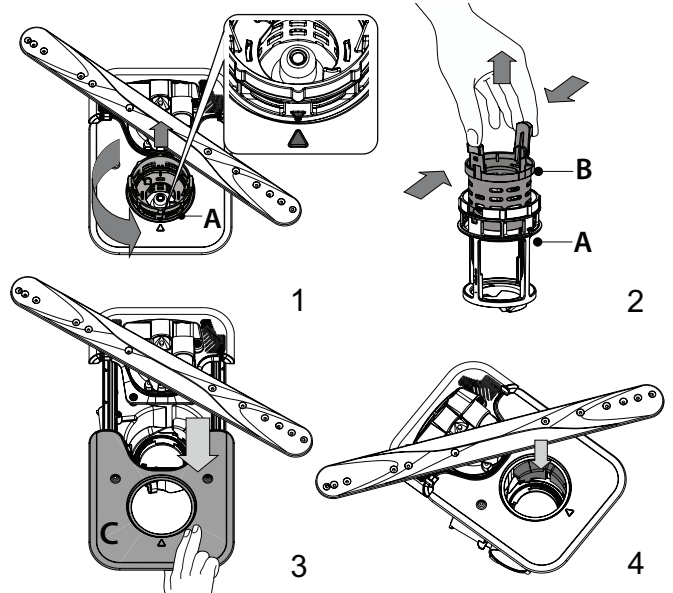
Почиствайте филтърния възел редовно, така че филтрите да не се запушват и отпадъчната вода да се източва правилно. Използването на съдомиялната машина със запушени филтри или външни предмети във филтриращата система или пръскащите рамена, може да влоши работата на уреда и да доведе до намаляване на работните характеристики, шум по време на работа или повишено потребление на ресурси. Филтърният възел се състои от три филтъра, които премахват остатъците от храна от водата от измиване и след това рециркулират водата: за постигане на най-добри резултати от измиването е необходимо да поддържате филтрите чисти.

Съдомиялната машина не трябва да се използва без филтри или ако филтърът е разлабен.

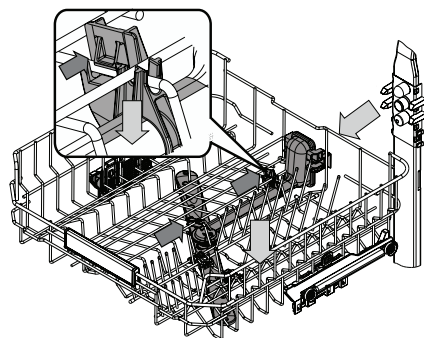
Най-малко веднъж месечно или на всеки 30 цикъла проверявайте филтърния блок и при необходимост го почистете старателно с течаща вода, като използвате неметална четка и следвайте инструкциите по-долу:

1. Завъртете цилиндричния филтър **A** обратно на часовниковата стрелка и го издърпайте (Фиг. 1). **Важно е, когато монтирате повторно филтъра, двата триъгълника, показани на увеличението, да се срещнат.**
2. Свалете филтъра чашка **B**, като приложите лек натиск върху страничните капаци (Фиг. 2).
3. Плъзнете навън филтъра-пластина от неръждаема стомана **C** (Фиг. 3).
4. В случай че намерите външни предмети (като счупени стъкла, порцелан, кости, семена на плодове и др.), **внимателно ги отстранете.**
5. Проверете уловителя и премахнете остатъците от храна. **НИКОГА НЕ МАХАЙТЕ** предпазителя на помпата за цикъла на измиване (показано е със стрелка) (Фиг. 4)

След почистване на филтрите поставете филтърния блок отново и го закрепете правилно на място; това е от ключово значение за поддържане на ефективната работа на съдомиялната машина.

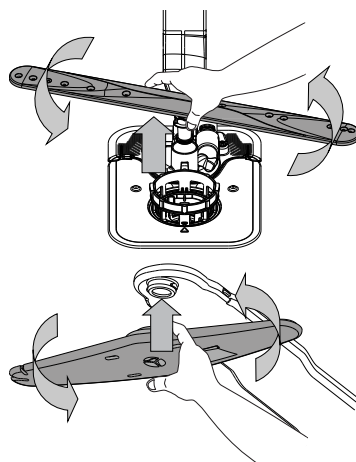


ПОЧИСТВАНЕ НА РАЗПРЪСКВАЩИТЕ РАМЕНЕ



Понякога остатъците от храна е възможно да засъхнат върху разпръскващите рамене и да запушат отворите за разпръскване на вода. Следователно се препоръчва да проверявате раменете от време на време и да ги почиствате с малка неметална четка.

За да извадите горната пръскалка, трябва да я извадите заедно с колектора.



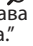
Можете да свалите долното разпръскващо рамо, като го издърпате нагоре и го завъртите обратно на часовниковата стрелка. Монтирането обратно на разпръскващото рамо става чрез издърпване надолу и въртене по часовниковата стрелка.

Горното разпръскващо рамо може да бъде отстранено, като го натиснете нагоре и след това го завъртите обратно на часовниковата стрелка. Монтирането обратно на разпръскващото рамо става чрез издърпване нагоре и завъртане по часовниковата стрелка.

ОТСТРАНЯВАНЕ НА НЕИЗПРАВНОСТИ

В случай че съдомиялната машина не работи нормално, проверете дали проблемът може да бъде решен, като прегледате следния списък. За други грешки или неизправности се свържете с отдела за следпродажбено обслужване, като данните за контакт можете да намерите в книжката за гаранцията. Резервните части ще бъдат налични за период от 7 или до 10 години, в съответствие със специфичните изисквания на регламента

ПРОБЛЕМИ	ВЪЗМОЖНИ ПРИЧИНИ	РЕШЕНИЯ
Индикаторът за сол свети	Резервоарът за сол е почти празен.	Напълнете отново резервоара със сол (вж. ЗАРЕЖДАНЕ НА РЕЗЕРВОАРА ЗА СОЛ). Проверете настройката за твърдост на водата, ако е необходимо - вжте ТАБЛИЦА ЗА ТВЪРДОСТ НА ВОДАТА.
Индикаторът за сол мига.	Резервоарът за сол е празен.	Напълнете отново резервоара със сол възможно най-скоро. Използването на уреда без сол може да причини повреда на вътрешните му компоненти.
Индикаторът за препарат за изплакване свети или мига.	Дозаторът на препарата за изплакване е празен. (След допълване на препарат за изплакване индикаторът може да остане да свети още малко).	Напълнете отново дозатора на препарата за изплакване (за повече информация – вж. ЗАРЕЖДАНЕ НА ДОЗАТОРА ЗА ПОМОЩНО СРЕДСТВО ЗА ИЗПЛАКВАНЕ).
Индикаторът за отстраняване на котлен камък свети или мига; Показва се аварийна сигнализация „dES“.	Котленият камък се натрупва върху вътрешните компоненти на уреда.	Отстранете котления камък от уреда незабавно, като използвате програмата Самопочистване и предлаган в търговската мрежа продукт за отстраняване на котлен камък (вж. ОПЦИИ И ФУНКЦИИ). Напълнете отново резервоара със сол. Проверете настройката за твърдост на водата. Ако котленият камък не бъде премахнат, уредът ще спре да функционира.
Съдомиялната машина не стартира или не реагира на команди.	Уредът не е включен в контакта както трябва.	Включете щепсела в контакта.
	Спиране на захранването.	От съображения за безопасност съдомиялната машина може да не стартира автоматично след пускане на електрозахранването. Отворете вратата, натиснете бутона СТАРТ/Пауза и затворете вратата в рамките на 4 секунди.
	Вратата на съдомиялната не е затворена. Щифтът NaturalDry не е изтеглен.	Натиснете вратата силно, докато чуete щракване.
	Един цикъл се прекъсва от отваряне на вратата за повече от 4 секунди.	Натиснете СТАРТ/Пауза и затворете вратата в рамките на 4 секунди.
Съдомиялната машина не източва. На дисплея се показва: F7 E3 или F9 E1	Филтърът е запушен с остатъци от храна или котлен камък.	Почистете филтъра и отстранете котления камък от уреда (вжте ПОЧИСТВАНЕ НА ФИЛТЪРНИЯ ВЪЗЕЛ и ИНСТРУКЦИИ ЗА ОТСТРАНЯВАНЕ НА КОТЛЕН КАМЪК).
	Дренажният маркуч е прегънат.	Проверете дренажния маркуч (вж. ИНСТРУКЦИИ ЗА МОНТАЖ).
	Тръбата за източване на мивката е запушена.	Съдомиялната издава прекомерно много шум.
Съдомиялната издава прекомерно много шум.	Съдовете тракат един в друг.	Поставете съдовете правилно (вж. ЗАРЕЖДАНЕ НА КОШНИЦИТЕ).
	Има прекомерно количество пяна.	Препаратът не е измерен правилно или не е подходящ за използване в съдомиялни машини (вж. ЗАРЕЖДАНЕ НА ДОЗАТОРА ЗА МИЯЛЕН ПРЕПАРАТ). Рестартирайте текущия цикъл, като изключите и отново включите съдомиялната машина, изберете нова програма, натиснете СТАРТ/Пауза и затворете вратата в рамките на 4 секунди. Ne dodajajte pomivalnega sredstva.
	Съдовете не са подредени правилно.	Подредете съдовете правилно (вж. ЗАРЕЖДАНЕ НА КОШНИЦИТЕ).
	Филтърът е запушен с остатъци от храна или котлен камък.	Почистете филтърния механизъм (вж. ГРИЖИ И ПОДДРЪЖКА).
Съдовете не са почистени.	Съдовете не са подредени правилно.	Подредете съдовете правилно (вж. ЗАРЕЖДАНЕ НА КОШНИЦИТЕ).
	Разпръскващите рамена не могат да се въртят свободно, тъй като съдовете им пречат.	Подредете съдовете правилно (вж. ЗАРЕЖДАНЕ НА КОШНИЦИТЕ). Проверете дали горната кошница е в правилната позиция и регулирайте (повдигнете), ако е необходимо.
	Цикълът на измиване е твърде кратък.	Изберете подходящ цикъл на измиване (вж. ТАБЛИЦА НА ПРОГРАМИТЕ).
	Има прекомерно количество пяна.	Препаратът не е измерен правилно или не е подходящ за използване в съдомиялни машини (вж. ЗАРЕЖДАНЕ НА ДОЗАТОРА ЗА МИЯЛЕН ПРЕПАРАТ).
	Капачката на отделението за препарата за изплакване не е затворена правилно.	Уверете се, че капачката на дозатора за препарата за изплакване е затворена.
	Филтърът е запушен с остатъци от храна или котлен камък.	Почистете филтъра и отстранете котления камък от уреда (вж. ПОЧИСТВАНЕ НА ФИЛТЪРНИЯ ВЪЗЕЛ).
	Резервоарът за сол е празен.	Допълнете резервоара за сол (вж. ЗАРЕЖДАНЕ НА РЕЗЕРВОАРА ЗА СОЛ).

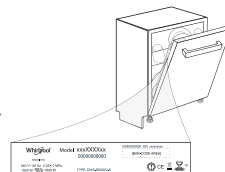
ПРОБЛЕМИ	ВЪЗМОЖНИ ПРИЧИНИ	РЕШЕНИЯ
„Съдомиялната машина не зарежда вода. На дисплея се изписва: H2O и  свети; прозвучава звукова аларма.“	Не се подава вода или кранът е затворен.	Уверете се, че във водопровода има вода и че кранът за вода е отворен.
	Маркучът за подаване на вода е прегънат.	Проверете маркуча за подаване на вода (вж. ИНСТРУКЦИИ ЗА МОНТАЖ). Отворете вратата, натиснете бутона СТАРТ/Пауза и затворете вратата в рамките на 4 секунди.
	Мрежичката в маркуча за подаване на вода е запушена; необходимо е да я почистите.	Проверете и почистете мрежичката на маркуча за подаване на вода. Отворете вратата, натиснете бутона СТАРТ/Пауза и затворете вратата в рамките на 4 секунди.
Съдомиялната машина спира цикъла преждевременно. На дисплея се изписва: F8 E3	Филтърът е запушен с остатъци от храна или котлен камък.	Почистете филтъра и отстранете котления камък от уреда (вижте ПОЧИСТВАНЕ НА ФИЛТЪРНИЯ ВЪЗЕЛ и ИНСТРУКЦИИ ЗА ОТСТРАНЯВАНЕ НА КОТЛЕН КАМЪК).
	Маркучът за източване е поставен твърде ниско или водата се източва в домашната канализационна система.	Проверете дали краят на маркуча е разположен на правилната височина (вж. ИНСТАЛИРАНЕ). Проверете дали маркучът не се оттича в домашната канализационна система и ако е необходимо, монтирайте тапа за сифона / въздушна клапа.
	Има прекомерно количество пяна.	Препаратът не е измерен правилно или не е подходящ за използване в съдомиялни машини (вж. ЗАРЕЖДАНЕ НА ДОЗАТОРА ЗА МИЯЛЕН ПРЕПАРАТ).
	Въздух в системата за подаване на вода.	Проверете водоподаващата система за течове или други проблеми, поради които в нея нахлува въздух.
Съдовете не са изсъхнали добре.	Няма препарат за изплакване или дозата е твърде малка.	Уверете се, че дозаторът за препарата за изплакване е пълен (вж. ЗАРЕЖДАНЕ НА ДОЗАТОРА ЗА ПОМОЩНО СРЕДСТВО ЗА ИЗПЛАКВАНЕ). Само мултифункционалните таблетки няма да осигурят толкова добър изсушаващ ефект, колкото действителното използване на течен препарат за изплакване.
	Съдовете са били извадени след автоматично отваряне на вратата, но преди реалния край на програмата.	Уверете се, че цикълът е приключил, преди да започнете да изваждате съдовете (вж. ВСЕКИДНЕВНА УПОТРЕБА). За още по-добри резултати на сушене се препоръчва да оставите съдовете да стоят вътре в съдомиялната с отворена врата за още 15 минути след края на програмата.
	Съдовете стоят прекалено хоризонтално.	Ако забележите локви вода в отворите за чаши, големи чаши или купи, опитайте да заредите съдовете (особено в горната поставка), като осигурите по-голям наклон, за да оставите по-големи количества вода да капят надолу, преди да започне сушенето.
	Избраната програма няма фаза на сушене.	Моля, проверете в ТАБЛИЦА НА ПРОГРАМИТЕ дали избраната програма е оборудвана с фаза на сушене. Цикъл без фаза на сушене може да не осигури желаната ефективност на сушене, така че се препоръчва да промените избора на цикъл с такъв, който има фаза на сушене.
Съдовете имат незалепващо покритие или са пластмасови.	Няколко водни капки, останали върху този тип материал, са нормални.	
Съдовете и чашите имат сини ивици или синкави оттенъци.	Дозата на препарата за изплакване е прекалено голяма.	Регулирайте дозировката до по-ниска настройка.
Съдовете и чашите са покрити с варовик или белезникав филм.	Резервоарът за сол е празен.	Напълнете отново резервоара със сол възможно най-скоро. Използването на уреда без сол може да причини повреда на вътрешните му компоненти.
	Настройката за твърдост на водата е твърде ниска.	Увеличете настройката (вж. ТАБЛИЦА ЗА ТВЪРДОСТ НА ВОДАТА).
	Капачката на резервоара за сол не е затворена правилно.	Проверете и затворете капачката на резервоара за сол.
Резервоарът за препарат за изплакване е празен или дозировката на препарата за изплакване е недостатъчна.	Напълнете отново дозатора с препарат за изплакване и проверете настройката на дозировката (за допълнителна информация - вж. ЗАРЕЖДАНЕ НА ДОЗАТОРА ЗА ПОМОЩНО СРЕДСТВО ЗА ИЗПЛАКВАНЕ).	
Съдомиялната показва F8 E5	Клапанът е блокиран или повреден.	Затворете крана на водата, ако е възможно. Не изключвайте захранването. Обърнете се на сервизен екип.



Фирмени политики, стандартна документация, поръчка на резервни части и допълнителна информация за продукти можете да намерите на:

- Използване на QR код и посещение на нашия уебсайт: docs.whirlpool.eu
- Посетите нашия уебсайт: parts-selfservice.whirlpool.com
- Като алтернатива можете да се **свържете с отдела за следпродажбено обслужване** (вижте телефонния номер в гаранционната книжка). При контакт с отдела за следпродажбено обслужване на клиенти съобщавайте кодовете, посочени на заводската табелка на Вашия уред.

Информацията за модела може да бъде извлечена чрез сканиране на QR кода на етикета за енергийния клас. На етикета също така е даден идентификатор на модела, който може да се използва за достъп до портала на регистъра на адрес <https://eprel.ec.europa.eu>





DANKE, DASS SIE SICH FÜR EIN WHIRLPOOL PRODUKT ENTSCHEIDEN HABEN
Für eine umfassendere Unterstützung melden Sie Ihr Gerät bitte an unter: www.whirlpool.eu/register

Diese Sicherheits- und Installationsanweisungen vor dem Gebrauch aufmerksam durchlesen. Weitere Informationen über Ihr Produkt sind auf folgender Website verfügbar: docs.whirlpool.eu heruntergeladen werden.

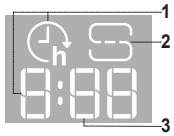
Denken Sie nach der Installation daran, sämtliche Teile zum Transportschutz aus dem Geschirrspüler zu entfernen.

BEDIENTAFEL



1. **EIN-AUS/Reset** Taste mit Anzeigelicht
2. **Öko-Programm**-Taste mit Anzeigelicht
3. **Auto-Intensiv-Programm**-Taste mit Anzeigelicht
4. **Auto-Gemischt-Programm**-Taste mit Anzeigelicht
5. **Auto-Schnell-Programm**-Taste mit Anzeigelicht
6. **Schnell-Programm**-Taste mit Anzeigelicht
7. **Gläser-Programm**-Taste mit Anzeigelicht/ **Selbstreinigungsprogramm** - 3 s drücken
8. **Vorwasch-Programm**-Taste mit Anzeigelicht
9. Anzeigelicht für **Salzbehälter** leer
10. Anzeigelicht für **Klarspüler** leer
11. **Display**
12. **Programmnummer** und verbleibende Zeitanzeige
13. **Wasserhahn** zu Anzeigelicht
14. **ENTKALKEN** - Anzeigelicht
15. **Power Clean®-Optionstaste** mit Anzeigelicht
16. **Halbe Füllmenge-Optionstaste** mit Anzeigelicht
17. **Extra Trocken-Optionstaste** mit Anzeigelicht / **Einstellungen** - 3 s drücken
18. **Leiser Betrieb-Optionstaste** mit Anzeigelicht
19. **Antibakterielle Spülung-Optionstaste** mit Anzeigelicht
20. **Superschnell-Optionstaste** mit Anzeigelicht
21. **Startvorwahl-Optionstaste** mit Anzeigelicht
22. **START/Pause** - Taste mit Anzeigelicht

ANZEIGE AM BODEN

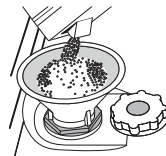


1. **Verzögerungszeit am Boden** – zeigt an, wie viel Zeit bis zum Programmstart bleibt, wenn die Verzögerungsoption gewählt wurde
2. **Salzbehälter leer** – Anzeigelicht am Boden
3. **Verbleibende Zeit am Boden** – zeigt an, wie viel Zeit bis zum Programmende bleibt

ERSTER GEBRAUCH

EINSTELLUNGSMENÜ

1. Gerät mit der **EIN-AUS** (⏻) -Taste einschalten.
2. Die **Einstellungen** (⚙️) (Extra Trocken (⏸️) 3 Sekunden lang gedrückt halten, bis Sie einen Piepton hören und das Display „**SET**“ anzeigt.
3. Nach einer Sekunde wird die erste verfügbare Einstellung (Buchstabe „h“) angezeigt.
4. Drücken Sie die **Vorwaschprogramm** (🌀) / **Power Clean® Optionstaste** (🧼) zum Durchblättern der Liste der verfügbaren Einstellungen (siehe Tabelle unten). Drücken Sie dann **START/Pause** (⏸️), um den Wert der aktuell ausgewählten Einstellung zu ändern.
5. Drücken Sie **Vorwaschprogramm** (🌀) / **Power Clean® Optionstaste** (🧼), um den Wert zu ändern. Drücken Sie dann **START/Pause** (⏸️), um den neuen Wert zu speichern.
6. Zum Ändern einer weiteren Einstellung wiederholen Sie die Punkte 2 und 5.
7. Drücken Sie **EIN-AUS** (⏻) oder warten Sie 30 Sekunden, um das Menü zu verlassen.



1. Ziehen Sie den Unterkorb heraus und schrauben Sie den Salzbehälterdeckel gegen den Uhrzeigersinn ab.
2. Setzen Sie den Trichter auf (siehe Abbildung) und füllen Sie den Behälter bis zum Rand mit Salz (ca. 0,5 kg), es ist normal, wenn etwas Wasser ausläuft.
3. **Nur beim ersten Mal: Befüllen Sie den Salzbehälter mit Wasser.**

4. Den Trichter abnehmen und die Salzreste vom Öffnungsrand entfernen. Sicherstellen, dass der Deckel fest angeschraubt ist, so dass kein Spülmittel während dem Waschprogramm in den Behälter gelangt (dies könnte den Wasserenthärter irreparabel beschädigen). **Lassen Sie jedes Mal, sobald Sie das Nachfüllen des Salzbehälters beendet haben, ein Programm laufen, um Korrosion zu vermeiden.**

Wasserhärte einstellen

Damit der Wasserenthärter perfekt arbeiten kann, muss die Wasserhärte je nach der aktuellen Wasserhärte in Ihrem Haus eingestellt werden. Diese Information erhalten sie bei Ihrem örtlichen Wasserversorger. Die werkseitige Einstellung ist „3“. Siehe **WASSERHÄRTE-TABELLE**.

Wasserhärte-Tabelle			
Stufe	°dH Deut. Härtegr.	°fH Französischer Härtegr.	°Clark Engl. Härtegr.
1 (Weich)	0 - 6	0 - 10	0 - 7
2 (Mittel)	7 - 11	11 - 20	8 - 14
3 (Durchschnittlich)	12 - 16	21 - 29	15 - 20
4 (Hart)	17 - 34	30 - 60	21 - 42
5 (Sehr hart)	35 - 50	61 - 90	43 - 62

BUCHSTABE	EINSTELLUNG	WERTE (Standard-fettgedruckt)
h	Wasserhärtegrad (siehe "WASSERHÄRTE EINSTELLEN" und "WASSERHÄRTE-TABELLE")	1 2 3 4 5
F	Dosierstufe des Klarspülers (siehe "KLARSPÜLERDOSIERUNG")	0 1 2 3 4 5
☐	NaturalDry (siehe "OPTIONEN UND FUNKTIONEN") "1" = Ein, "0" = Aus	1 0
⌚	Zeit am Boden (siehe "OPTIONEN UND FUNKTIONEN") "1" = Ein, "0" = Aus	1 0
🔊	Ton "1" = Ein, "0" = Aus	1 0
💡	Innenbeleuchtung (siehe "OPTIONEN UND FUNKTIONEN") "1" = Ein, "0" = Aus	1 0
⏸️	Werkseinstellungen Drücken Sie START/Pause zum Rückstellen aller Werte der Einstellungen im Einstellungsmenü auf die Standardwerkseinstellung.	-

Zum Ändern befolgen Sie die Anweisungen im Abschnitt „EINSTELLUNGSMENÜ“. **Verwenden Sie bitte nur Spezzialsalz für Geschirrspüler.** Nach dem Einfüllen des Salzes erlischt die SALZNACHFÜLLANZEIGE. **Wenn der Salzbehälter nicht gefüllt ist, könnten Kesselsteinablagerungen den Wasserenthärter und das Heizelement beschädigen. Die Verwendung von Salz wird bei jeder Art von Geschirrspülmittel empfohlen.**

WASSERENTHÄRTUNG

Der Wasserenthärter reduziert automatisch die Wasserhärte, verhindert Kesselsteinablagerungen am Heizelement und trägt somit zu einer höheren Reinigungsleistung bei. **Dieses System regeneriert sich mit Salz, daher ist es erforderlich, Salz in den Behälter zu füllen, wenn dieser leer ist.** Die Regenerierungshäufigkeit hängt von eingestellten Stufe für die Wasserhärte ab - die Regenerierung findet einmal alle **4-6** Öko-Zyklen bei Wasserhärte auf **3** statt. Bei Durchläufen mit Regeneration wird das Wassermanagementsystem zusätzlich gefüllt. Der Regenerations- und Wassermanagementprozess findet zu Beginn des Programms mit zusätzlichem Frischwasser statt.

- Eine einzelne Regeneration verbraucht: ~6,5 l Wasser;
- Das Programm dauert bis zu 5 Minuten länger;
- Energieverbrauch unter 0,005 kWh.

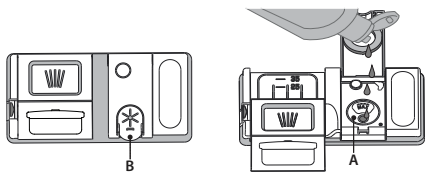
SALZBEHÄLTER BEFÜLLEN

Mit der Verwendung von Salz werden KALKABLAGERUNGEN auf dem Geschirr und den funktionalen Komponenten des Geschirrspülers verhindert. Der Salzbehälter befindet sich im unteren Teil des Geschirrspülers (unter dem Unterkorb auf der linken Seite).

- **DER SALZBEHÄLTER DARF NIE LEER SEIN!**
- Es ist wichtig, die Wasserhärte einzustellen.
- Salz muss eingefüllt werden, wenn auf der Bedienblende die Anzeigeluchte der **SALZNACHFÜLLANZEIGE** (🧼) aufleuchtet.

KLARSPÜLERSPENDER AUFFÜLLEN

Klarspüler macht das TROCKNEN von Geschirr einfacher. Der Klarspülerspender **A** muss aufgefüllt werden, wenn das **KLARSPÜLER AUFFÜLLEN Anzeigelicht**  auf der Bedienblende leuchtet.



1. Den Behälter **B** durch Drücken und Anheben der Zunge am Deckel öffnen.
2. Den Klarspüler vorsichtig bis zur maximalen Füllstandsmarkierung (110 ml) an der Füllöffnung einfüllen und ein Überlaufen vermeiden.

Andernfalls sofort mit einem trockenen Tuch abwischen.

3. Den Deckel schließen bis er einrastet.

Füllen Sie den Klarspüler NIEMALS direkt ins Innere des Geschirrspülers.

Klarspülerdosierung

Sollte das Trockenergebnis unzufrieden stellend sein, kann die Klarspülerdosierung neu eingestellt werden.

Zum Ändern befolgen Sie die Anweisungen im Abschnitt „EINSTELLUNGSMENÜ“.

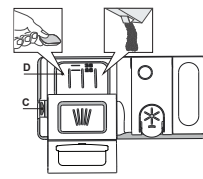
Die Klarspülerstufe kann auf NULL eingestellt werden. In diesem Fall wird kein Klarspüler ausgegeben. **Die Kontrollleuchte zur ANZEIGE DES FEHLENDEN KLARSPÜLERS** leuchtet nicht mehr auf.

Je nach Gerätemodell können bis max. **6** Stufen eingestellt werden.

- Wenn Sie bläuliche Streifen auf dem Geschirr sehen, stellen Sie eine niedrigere Zahl ein (0-3).
- Wenn Wassertropfen oder Kalkablagerungen auf dem Geschirr sind, eine höhere Zahl einstellen (4-5).

EINFÜLLEN DES SPÜLMITTELS

Zum Öffnen des Spülmittelbehälters den Öffnungsmechanismus **C** drücken. Füllen Sie das Spülmittel ausschließlich in das trockene Fach **D** ein. Die für den Vorspülgang benötigte Spülmittelmenge wird direkt in den Geschirrspüler gegeben.



1. Hinsichtlich der Dosierung verweisen wir auf die zuvor erwähnte Information, in der die richtige Menge angegeben ist. Im Fach D sind Anzeigen die bei der Spülmitteldosierung helfen.
2. Entfernen Sie eventuelle Spülmittelrückstände von den Kanten der Kammern und schließen Sie den Deckel so, dass er einrastet.
3. Schieben Sie den Deckel der Spülmittelkammer zum Schließen nach oben, bis er einrastet.

Die Spülmittelkammer öffnet sich automatisch zum richtigen Zeitpunkt des jeweils gewählten Programms.

Die Verwendung von Reinigungsmitteln, die nicht für Geschirrspüler bestimmt sind, kann zu Fehlfunktionen oder Schäden am Gerät führen.

TÄGLICHER GEBRAUCH

1. ANSCHLUSS AN DIE WASSERLEITUNG PRÜFEN

Sicherstellen, dass der Geschirrspüler an die Wasserleitung angeschlossen und der Wasserhahn auf ist.

2. SCHALTEN SIE DEN GESCHIRRSÜLER EIN

Tür öffnen und EIN-AUS-Taste drücken.

3. KÖRBE BELADEN (siehe KÖRBE BELADEN)

4. EINFÜLLEN DES SPÜLMITTELS

5. PROGRAMM WÄHLEN UND DAS PROGRAMM ANPASSEN

Das am besten geeignete Programm je nach Besteckart und Verschmutzungsgrad (siehe PROGRAMMBESCHREIBUNG) durch Drücken der gewählten PROGRAMM-Taste auswählen. Die gewünschten Optionen auswählen (siehe OPTIONEN UND FUNKTIONEN). Nicht alle Optionen sind mit allen Programmen kompatibel.

6. START

Starten Sie das Spülprogramm mit der Taste **START/Pause** (LED leuchtet) und schließen Sie die Tür innerhalb von 4 Sek. Bei Programmstart ertönt ein einzelner Piepton. Wenn die Tür nicht innerhalb von 4 Sek. geschlossen wurde, ertönt der akustische Alarm. Öffnen Sie in diesem Fall die Tür, drücken Sie die Taste **START/Pause** und schließen Sie die Tür erneut innerhalb von 4 Sekunden.

7. ENDE DES SPÜLPROGRAMMS

Das Ende des Spülprogramms wird durch Pieptöne angegeben und auf dem Display erscheint **END** (ENDE). Die Tür öffnen und das Gerät mit der **EIN-AUS**-Taste ausschalten.

Vor Entnahme des Bestecks einige Minuten warten - um Verbrennungen zu vermeiden. Die Körbe entladen, mit dem Unteren beginnen.

ÄNDERN EINES LAUFENDEN PROGRAMMS

Wenn ein falsches Programm ausgewählt wurde, kann es geändert werden, wenn es gerade erst gestartet wurde. **RÜCKSETZEN** der Maschine: die **EIN-AUS**-Taste drücken und länger als 3 s gedrückt halten, um die Maschine auszuschalten. **Das Bedienfeld zeigt "0:01"**. Schließen Sie die Tür und warten Sie, bis der Waschgang «Schleudern und abpumpen» beendet ist (rund 1 Minute). Öffnen Sie die Tür und schalten Sie die Maschine mit der **EIN-AUS**-Taste wieder ein. Wählen Sie das neue Spülprogramm und die gewünschten Optionen aus. Das Spülprogramm durch Drücken der Taste **START/Pause** starten und die Tür innerhalb von 4 s schließen.

HINZUFÜGEN VON WEITEREM GESCHIRR

Ohne die Maschine auszuschalten, die Tür erst leicht öffnen, um zu verhindern, dass Wasser herausspritzt (**START/Pause** LED beginnt zu blinken) (**Vorsicht! Heißer Dampf!**) und das Geschirr in den Geschirrspüler geben. Die Taste **START/Pause** drücken und innerhalb von 4 Sek.. die Tür schließen; das Programm läuft automatisch weiter, wo es unterbrochen wurde.

VERSEHENTLICHE UNTERBRECHUNGEN

Wird während des Spülgangs die Gerätetür geöffnet, oder sollte ein Stromausfall stattfinden, wird der Spülgang unterbrochen. **NUR, WENN SIE die START/Pause-Taste DRÜCKEN** und die Tür innerhalb von 4 s schließen, läuft das Programm automatisch weiter, wo es unterbrochen wurde.

WASSERMANAGEMENTSYSTEM

Dieser Geschirrspüler ermöglicht die Speicherung von bis zu 3,2 Liter Frischwasser, das in den gewählten Programmen verwendet wird. Das Wasser wird in einem eigenen Tank gespeichert und in den danach gewählten Programmen verwendet. Es wird empfohlen das Selbstreinigungsprogramm (siehe PROGRAMMTABELLE) regelmäßig auszuführen.

HINWEISE UND TIPPS

EMPFEHLUNGEN

Bevor Sie das Geschirr in den Geschirrspüler einräumen, befreien Sie es von Speiserückständen und entleeren Sie Gläser und Behälter von Flüssigkeitsresten. **Es ist nicht notwendig, das Geschirr unter fließendem Wasser vorzuspülen.**

Stellen Sie das Geschirr so ein, dass es fest steht und nicht umfallen kann. Behälter müssen mit der Öffnung nach unten eingestellt werden und hohle oder gewölbte Teile müssen schräg stehen, damit das Wasser alle Oberflächen erreicht und dann abfließen kann.

Achtung: Achten Sie darauf, dass Deckel, Griffe, Töpfe und Tablett die Drehung der Sprüharme nicht behindern. Stellen Sie kleine Gegenstände in den Besteckkorb. Stark verschmutztes Geschirr und Töpfe sollten in dem Unterkorb untergebracht werden, da in diesem Bereich die Wasserstrahlen stärker sind und eine höhere Spüleistung garantieren. Stellen Sie nach Einräumen des Geschirrs sicher, dass sich die Sprüharme frei bewegen können.

UNGEEIGNETES GESCHIRR

- Besteck und Geschirr aus Holz.
 - Empfindliche Dekorgläser, handgemachte Teller und antikes Geschirr. Die Dekore sind nicht spülmaschinenfest.
 - Nicht temperaturbeständige Kunststoffteile.
 - Geschirr aus Kupfer und Zinn.
- Mit Asche, Wachs, Schmieröl oder Tinte verschmutztes Geschirr. Glasdekore, Aluminium- und Silberteile können während des Spülgangs die Farbe verändern und ausbleichen. Auch einige Glasarten (z.B. Kristallgegenstände) können nach mehreren Spülgängen matt werden.

SCHÄDEN AN GLAS UND GESCHIRR

- Spülen Sie nur Gläser und Geschirr in Ihrem Geschirrspüler, die vom Hersteller als spülmaschinenfest ausgezeichnet sind.
- Verwenden Sie ein Feinspülmittel für Geschirr.
- Nehmen Sie Gläser und Besteck so bald wie möglich nach Ablauf des Programms aus der Spülmaschine.

ENERGIESPARTIPPS

- Sofern man die Herstelleranweisungen beim Einsatz beachtet, **verbraucht das Waschen von Geschirr im Geschirrspüler in der Regel WENIGER ENERGIE und Wasser als Handspülen.**
- Um die Effizienz des Geschirrspülers zu maximieren, empfiehlt es sich, **das Spülprogramm bei voll beladenem Gerät zu starten.** Wenn der Geschirrspüler bis zur vom Hersteller angegebenen Kapazität beladen wird, hilft dies, Energie und Wasser zu sparen. Angaben über die korrekte Beladung von Geschirr finden Sie im Kapitel BELADEN DER KÖRBE. Bei Teilbeladung empfiehlt es sich, die speziellen Spülprogramme (Halbe Beladung / Zone Wash / Multizone) zu verwenden und nur die entsprechenden Körbe zu beladen. Bei einer fehlerhaften Beladung oder Überladung des Geschirrspülers könnten mehr Ressourcen verbraucht (z. B. Wasser, Energie und Zeit), der Geräuschpegel erhöht und die Reinigungs- und Trocknungsleistung verringert werden.
- Das manuelle Vorspülen von Geschirr führt zu erhöhtem Wasser- und Energieverbrauch und wird nicht empfohlen.

HYGIENE

Um Gerüche und Ablagerung, die sich in dem Geschirrspüler ansetzen können zu vermeiden, **bitte mindestens einmal monatlich ein Hochtemperaturprogramm laufen lassen.** Einen Teelöffel Spülmittel verwenden und ohne Geschirr laufen lassen, um Ihr Gerät zu reinigen.

BEWEGEN ODER WARTEN DES GESCHIRRSPÜLERS

Dieser Geschirrspüler enthält einen Wasserbehälter, der nach dem Programmende mit Wasser gefüllt bleiben kann (Wasser kann auslaufen, wenn der Geschirrspüler gereinigt wird). **Hinweis:** Vor dem Warten oder Bewegen des Geschirrspülers das Selbstreinigungsprogramm laufen lassen, um den Wasserbehälter abzulassen.

FROSTSICHERHEIT

Steht das Gerät in einem frostgefährdeten Raum, so **muss es vollständig von Wasser entleert werden.** Führen Sie das Selbstreinigungsprogramm aus, um den Wasserbehälter abzulassen. Wasserhahn schließen, Zu- und Ablaufschlauch lösen und das gesamte Wasser abpumpen. **Darauf achten, dass der Wasserenthärter mit gelöstem Regeneriersalz im Regeneriersalzbehälter gefüllt ist;** dies stellt einen wirksamen Geräteschutz gegen Temperaturen bis zu -20°C dar. Wenn das Gerät unter frostigen Bedingungen gelagert wurde, muss das Gerät vor dem ersten Spülgang **mindestens 24 Stundenlang** bei einer Umgebungstemperatur von min. 5 °C stehen bleiben.

PROGRAMMTABELLE

Programm	Programmbeschreibung	Trockenphase	NaturalDry	Verfügbare Zusatzfunktionen *)	Programmdauer (Std:Min)**)	Wasserverbrauch (Liter/ Zyklus)	Energieverbrauch (kWh/ Zyklus)
Eco	Öko 50° - Das Öko-Programm eignet sich, um normal verschmutztes Geschirr zu reinigen. In Bezug auf den kombinierten Energie- und Wasserverbrauch ist es das effizienteste Programm, das auch zur Prüfung der Einhaltung der Ökodesign-Richtlinie verwendet wird.	✓	✓		4:30	9,5	0,55
	Auto Intensiv 65° - Automatisches Programm für stark verschmutztes Geschirr und Töpfe.	✓	✓		2:25 - 3:10	15,5 - 24,5	1,30 - 1,70
	Auto Gemischt 55° - Automatisches Programm für normal verschmutztes Geschirr mit ange-trockneten Lebensmittelrückständen.	✓	✓		1:20 - 3:00	7,5 - 19,5	0,75 - 1,20
	Auto Schnell 50° - Automatisches Programm für normal und leicht verschmutztes Geschirr. Täglicher Zyklus, der optimale Reinigungs- und Trocknungsleistung in kürzerer Zeit garantiert.	✓	✓		1:00 - 1:50	7,5 - 15,5	0,70 - 1,10
	Schnell 45° - Das Programm wird für eine begrenzte Menge an leicht verschmutztem Geschirr ohne ange-trocknete Lebensmittelrückstände empfohlen. Es umfasst keinen Trockengang.	-	✓		0:30 - 0:40	10,0 - 12,0	0,55 - 0,65
	Gläser 45° - Programm für empfindliches Geschirr, das empfindlicher auf hohe Temperaturen ist, zum Beispiel Gläser und Becher.	✓	✓		1:40 - 1:50	12,5 - 16,5	0,95 - 1,20
	Vorwasch - Verwendet, um Geschirr einzuweichen, das später gespült werden soll. Für dieses Programm wird kein Spülmittel verwendet.	-	✓		0:12	4,5	0,10
	Selbstreinigung 65° - Programm, das für die Pflege des Geschirrspülers und des Wassermanagementsystems zu verwenden ist. Es ist nur bei LEEREM Geschirrspüler und mit speziellen Reinigungsmitteln für die Pflege des Geschirrspülers auszuführen.	-	-		1:40	11,0	1,10

Die Öko-Programmdaten sind Labormessdaten, die gemäß der europäischen Vorschrift EN 60436:2020 erfasst wurden.

Hinweis für die Prüflabors: Informationen hinsichtlich der Bedingungen des EN-Vergleichstests sind unter nachfolgender Adresse anzufordern: dw_test_support@whirlpool.com

Eine Vorbehandlung des Geschirrs ist vor keinem Programm erforderlich.

*) Nicht alle Optionen können gleichzeitig verwendet werden.

**) Werte, die für andere Programme als das Öko-Programm angegeben werden, sind nur Richtwerte. Die aktuelle Zeit kann auf Grundlage von mehreren Faktoren, wie Temperatur und Druck des eintretenden Wassers, Raumtemperatur, Spülmittelmenge, Menge und Art der Beladung, Lastausgleich, zusätzlich gewählte Optionen und Sensoreichung variieren. Die Sensoreichung kann die Programmdauer bis zu 20 Min. erhöhen.

OPTIONEN UND FUNKTIONEN

OPTIONEN können nach Auswahl des Programms direkt durch Drücken der jeweiligen Taste gewählt bzw. abgewählt werden (falls vorhanden - die Anzeige leuchtet auf) (siehe BEDIENFELD). Wenn eine Option nicht mit dem ausgewählten Programm kompatibel ist (siehe PROGRAMMTABELLE), blinken die entsprechenden LED 3 Mal schnell und ein Piepton ertönt. Die Option wird nicht aktiviert. Eine Option kann Zeit, Wasser oder Stromverbrauch für das Programm ändern.

POWER CLEAN® - Mit den zusätzlichen Powerdüsen bietet diese Option im dafür vorgesehenen Bereich im Unterkorb einen intensiveren und stärkeren Spülvorgang. Diese Zusatzfunktion ist ideal zum Reinigen von Töpfen und Brättern (Beachten Sie bitte den Power Clean® Beladungsbereich).

HALBE FÜLLMENGE - Haben Sie nur wenig Geschirr zu spülen, wählen Sie HALBE FÜLLMENGE. Sie sparen Wasser, Strom oder Zeit, je nach gewähltem Programm.

Denken Sie daran, die Spülmittelmenge zu verringern.

EXTRA TROCKEN - Die höhere Temperatur während des letzten Spülgangs sowie die verlängerte Trockenphase gestatten eine verbesserte Trocknung.

LEISER BETRIEB - Geeignet für den Nachtbetrieb des Gerätes. Diese Option kann verwendet werden, um die Geräuschemissionen während der Spülgänge zu beschränken. Sie erhöht die Zykluszeit abhängig von der Auswahl des Basisprogramms.

ANTIBAKTERIELLE SPÜLUNG - Diese Option kann verwendet werden, um gewaschenes Geschirr zu desinfizieren. Dabei wird die Spültemperatur am Ende erhöht und antibakterielles Waschen zu dem ausgewählten Programm zugefügt. Ideal zum Reinigen von Geschirr und Babyflaschen. Die Geschirrspültür muss während des gesamten Programms geschlossen bleiben, um eine Verringerung der Keime zu sichern.

WARNUNG: das Geschirr und die Teller können bei Programmende sehr heiß sein.

SUPERSCHNELL - Dank der Superschnell-Option können Sie die Zeit abhängig von der Auswahl des Basisprogramms um bis zu 40 % verringern. Strom- und Wasserverbrauch werden erhöht.

STARTVORWAHL - Der Programmstart kann um eine Zeit von 0:30 bis 24 Stunden verzögert werden.

1. Das Programm und die gewünschten Optionen auswählen. Die STARTVORWAHL-Taste (mehrfach) drücken, um den Programmstart zu verzögern. Einstellbar von 0:30 bis 24 Stunden. Sobald die 24-Stunden-Einstellung erreicht ist, drücken Sie noch einmal STARTVORWAHL, um die STARTVORWAHL-Funktion zu deaktivieren.
2. Drücken Sie die Taste START/Pause-Taste und schließen Sie die Tür innerhalb von 4 Sekunden: die Zeitschaltuhr beginnt mit der Rückzählung.
3. Nach Ablauf dieser Zeit, schaltet sich das Anzeigelicht aus und das Programm beginnt automatisch.

Bei bereits in Gang gesetztem Programm ist eine STARTVORWAHL nicht mehr möglich.

WASSERHAHN ZU - Alarm - Blinkt, wenn kein Wasser einströmt oder wenn der Wasserhahn zu ist.



ZEIT AM BODEN - Ein auf den Boden projiziertes LED-Licht zeigt die bis zum Ende des Zyklus verbleibende Zeit an. Das Licht geht aus, sobald die Tür geöffnet wird. Das Licht erlischt am Ende eines Programms. Diese Funktion ist standardmäßig aktiv, sie kann jedoch im „EINSTELLUNGSMENÜ“ deaktiviert werden.

NaturalDry - das ist ein Heißlufttrocknungssystem, das die Tür während/ nach der Trockenphase automatisch öffnet, um täglich hervorragende Trockenleistung sicherzustellen. Die Tür öffnet sich bei einer für Ihre Küchenmöbel sicheren Temperatur, daher wird die Tür nicht geöffnet, wenn die Option ANTIBAKTERIELLE SPÜLUNG eingeschaltet ist. Als zusätzlicher Dampfschutz wird dem Geschirrspüler eine speziell entwickelte Schutzfolie beigefügt.

Für die Montage der Schutzfolie siehe INSTALLATIONSANLEITUNG. Diese Funktion ist standardmäßig aktiviert, aber sie kann in «EINSTELLUNGSMENÜ» deaktiviert werden.

INNENBELEUCHTUNG - Wenn die Funktion aktiv ist, werden die LEDs im Innern des Geschirrspülers ein-/ausgeschaltet, sobald der Bediener die Tür öffnet bzw. schließt. Bleibt die Tür länger als 10 min offen, schalten sich die LEDs im Innern des Geschirrspülers aus (zum Wiedereinschalten muss die Tür geschlossen und erneut geöffnet werden). Diese Funktion ist standardmäßig aktiv, sie kann jedoch im „EINSTELLUNGSMENÜ“ deaktiviert werden.

ENTKALKEN - Alarm - Es wurden Kalkablagerungen auf Innenbauteilen des Geräts festgestellt. Prüfen Sie, ob die **Wasserhärteeinstellung** auf dem korrekten Wert und Salz im Salzbehälter vorhanden ist (siehe ERSTER GEBRAUCH). **Verwenden Sie dann ein Entkalkungsmittel** (die Marke WPro wird empfohlen) mit dem **Selbstreinigungsprogramm**. Nach einer erfolgreichen Entkalkung wird das Symbol nicht mehr angezeigt.

Falls oben genannte Maßnahmen nicht ausgeführt werden, verschlechtert sich die Produktleistung. Die «Entkalken» Warnung beginnt zu blinken und der «dES» Alarm erscheint auf dem Display. Wird weiter nicht unternommen, gestattet das Gerät nur den Start einer bestimmten Anzahl von Zyklen (während der «dES» Alarmanzeige angeben) und wird dann **GESPERRT**, um eine Beschädigung von Bauteilen zu vermeiden. **Nur das Selbstreinigungsprogramm ist verfügbar.** Die Ausführung einer vollständigen Entkalkung hebt die Sperre des Produktes auf. Im Fall extrem großer Kalkmengen kann es erforderlich sein, das Entkalken zweimal auszuführen, damit es wirkt.

ERKENNUNG - Wenn der Sensor den Grad der Verschmutzung erfasst, wird im Display eine Animation angezeigt (etwa 20 Minuten) und die Programmdauer wird aktualisiert. Sensing (Erkennung) erkennt die Stärke der Verschmutzung des Geschirrs und passt das Programm entsprechend an. Es ist für alle Zyklen (ausgenommen Eco (Öko) verfügbar.

KÖRBE BELADEN

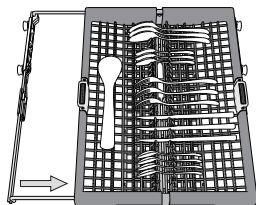
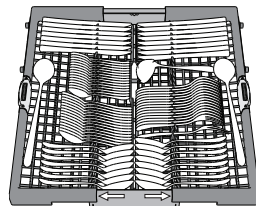
FASSUNGSVERMÖGEN: 15 Maßgedecke

BESTECKSCHUBLADE

Die dritte Schublade wurde für das Hineinlegen von Besteck entwickelt. Platzieren Sie das Besteck wie abgebildet. Eine getrennte Anordnung des Bestecks macht das Sortieren nach dem Spülen einfacher und verbessert die Spül- und Trockenleistung.

Messer und andere Küchenutensilien mit scharfen Spitzen sind mit nach unten gerichteten Schneiden einzuordnen.

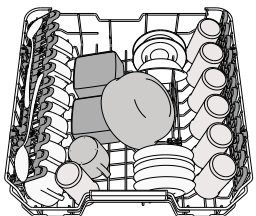
Der Besteckkorb hat zwei seitlichen Schubladen, um die Höhe des darunter liegenden Bereichs bestmöglich zu nutzen und das Laden von hohen Teilen in den Unterkorb zu ermöglichen.



OBORKORB

Hier sortieren Sie empfindliches und leichtes Geschirr ein: Gläser, Tassen, kleine Teller, flache Schüsseln. Der Oberkorb verfügt über klappbare Halterungen, die in vertikaler Stellung für Untertassen oder Dessertteller oder in einer tieferen Stellung für Schüsseln und sonstige Behältnisse verwendet werden können.

(Sortierbeispiel für den Oberkorb)



Höheneinstellung des Oberkorbes

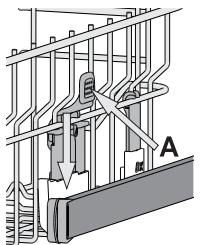
Der Oberkorb kann in der Höhe verstellt werden: stellen Sie ihn in die oberste Position, wenn Sie großes Geschirr in den Unterkorb einräumen wollen. Wenn Sie eher die klappbaren Bereiche nutzen wollen, dann stellen Sie ihn in die untere Position. Somit vermeiden Sie Zusammenstoßen mit dem Geschirr im Unterkorb.

Der Oberkorb ist mit einem **Oberkorb Höhenversteller** (siehe Abbildung) ausgestattet.

Ohne Drücken der Hebel kann er einfach durch Heben der Korbseiten angehoben werden, sobald der Korb stabil in seiner unteren Stellung ist.

Um den Korb zurück in die untere Stellung zu bringen, drücken Sie die Hebel **A** an den Seiten des Korbs und schieben Sie ihn nach unten.

Es empfiehlt sich, die Höhe des Oberkorbes bei leerem Korb zu regulieren. Heben oder senken Sie den Korb NIEMALS nur an einer Seite.

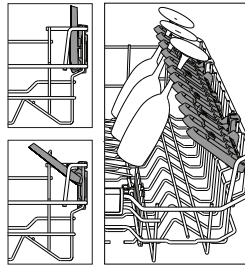


Klappbare Klappen mit verstellbarer position

Die seitlich, klappbaren Ablagen können ein- oder aufgeklappt werden, um die Anordnung des Geschirrs im Korb zu optimieren. Stielgläser können an den Ablagen stabilisiert werden, indem sie mit dem Stiel in die vorgesehene Aussparung gestellt werden.

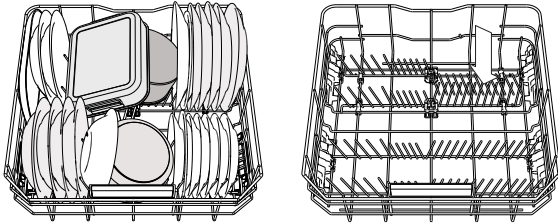
Je nach Modell:

- Zum Ausklappen der Ablagen, müssen diese nach oben geschoben und gedreht oder aus den Schnappern gelöst und nach unten gezogen werden.
- Zum Einklappen der Ablagen, müssen diese gedreht und nach unten geschoben oder nach oben gezogen und an den Schnappern befestigt werden.



UNTERKORB

Für Töpfe, Deckel, Teller, Salatschüsseln, Besteck usw. Große Teller und Deckel sollten idealerweise an die Seiten gelegt werden, um nicht mit dem Sprüharm in Kontakt zu kommen. Der Unterkorb verfügt über klappbare Ablagen, die in vertikaler Stellung für Teller oder in horizontaler (niedriger) Position für Pfannen und Salatschüsseln verwendet werden können.



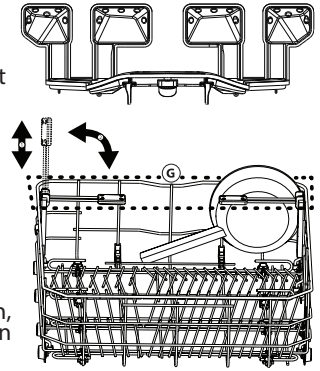
(Sortierbeispiel für den Unterkorb)

POWER CLEAN®

Bei Power Clean® sorgen spezielle Wasserdüsen hinten im Gerät für eine verstärkte Reinigung von stark verschmutztem Geschirr. Der Unterkorb hat eine Raumzone, eine spezielle Halterung zum Herausziehen an der Korbhinterseite, welche benutzt werden kann um Pfannen oder Backbleche in senkrechter Position zu halten, und so weniger Raum zu beanspruchen. Wenn die Töpfe/Bräter in Richtung Power Clean® eingelegt werden, bitte **POWER CLEAN** auf der Bedienblende aktivieren.

Verwendung von Power Clean®:

1. Passen Sie Power Clean®-Bereich **G** an, indem Sie die hinteren Tellerhalterungen herunterklappen, um Töpfe einzuladen.
2. Laden Sie Töpfe und Bräter senkrecht im Power Clean®-Bereich ein. Die Töpfe müssen mit der offenen Seite zu den Power- Sprühdüsen geneigt sein.



PFLEGE UND WARTUNG

REINIGUNG DER FILTEREINHEIT

Die Filtereinheit regelmäßig reinigen, damit die Filter nicht verstopfen und das Abwasser korrekt abfließen kann.

Wenn die Filter beim Einsatz des Geschirrspülers verstopft sind oder falls Fremdkörper im Filtersystem oder in den Spülarmen gelangen, könnten Störungen im Gerät auftreten, was zu Leistungseinbußen, lautem Betrieb oder höherer Ressourcennutzung führt.

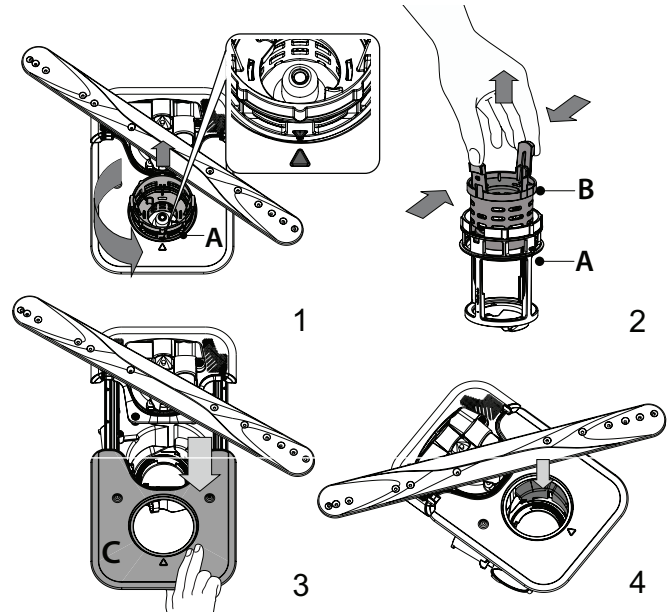
Die Filtereinheit setzt sich aus drei Filtern zusammen, die Spülwasser reinigen, von Speiseresten befreien und wieder in Umlauf bringen.

Der Geschirrspüler darf nie ohne Filtersiebe oder mit ausgehängten Filtern in Betrieb genommen werden.

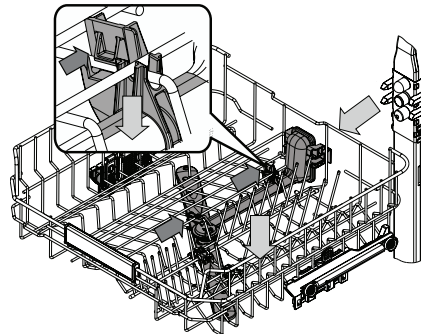
Kontrollieren Sie einmal monatlich oder nach 30 Zyklen die Filtersiebgruppe. Bei Bedarf ist diese sorgfältig unter laufendem Wasser auszuspülen. Nehmen Sie hierzu ein kleines Bürstchen (das nicht aus Metall sein darf) zu Hilfe. Gehen Sie wie folgt vor:

1. Drehen Sie das zylinderförmige Filtersieb **A** gegen den Uhrzeigersinn heraus (Abb. 1). **Beim Wiedereinbau des Filters müssen die beiden größer abgebildeten Dreiecke zueinander ausgerichtet sein.**
2. Ziehen Sie den Siebbecher **B** durch leichten Druck auf die seitlichen Flügel heraus (Abb. 2).
3. Nehmen Sie den Stahl-Siebteller **C** ab (Abb. 3).
4. Falls Sie Fremdkörper (wie Glasscherben, Porzellan, Knochen, Fruchtsamen usw.) finden, **entfernen Sie diese bitte sorgfältig.**
5. Kontrollieren Sie den Hohlraum und befreien Sie diesen von eventuellen Speiseresten. Das Spülpumpenschutzteil (siehe Pfeil) **NICHT ABGEMOMMEN WERDEN** (Abb 4).

Setzen Sie die Filtereinheit nach der Reinigung der Filtersiebe wieder korrekt in ihren Sitz ein, dies ist äußerst wichtig, um eine ordnungsgemäße Betriebsweise des Geschirrspülers zu gewährleisten.

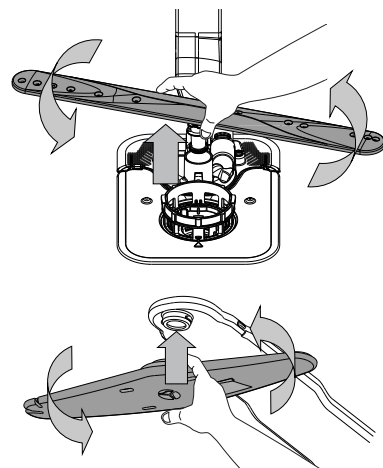


REINIGUNG DER SPRÜHARME



Es kann vorkommen, dass Speisereste an den Sprüharmen hängen bleiben und die Wasserdüsen verstopfen. Prüfen Sie die Sprüharme daher regelmäßig und reinigen Sie sie bei Bedarf mit einer Kunststoffbürste.

Zum Entfernen des oberen Sprüharms müssen sie diesen zusammen mit dem Anschlussstück entfernen.



Um den unteren Sprüharm abzunehmen, diesen nach oben ziehen und gegen den Uhrzeigersinn drehen. Der Sprüharm wird wieder eingebaut, indem er nach unten gezogen und im Uhrzeigersinn gedreht wird.

Um den oberen Sprüharm abzunehmen, diesen nach oben drücken und gegen den Uhrzeigersinn drehen. Der Sprüharm wird wieder eingebaut, indem er nach oben gezogen und im Uhrzeigersinn gedreht wird.

LÖSEN VON PROBLEMEN

Falls Ihr Geschirrspüler nicht richtig funktioniert, versuchen Sie, das Problem anhand der folgenden Liste zu beheben. Für andere Fehler oder Probleme wenden Sie sich bitte an den autorisierten Kundendienst, dessen Kontaktdaten im Garantieheft aufgeführt sind. Ersatzteile werden für einen Zeitraum von entweder bis zu 7 oder bis zu 10 Jahren verfügbar sein, je nach den spezifischen Anforderungen der Verordnung.

STÖRUNGEN	MÖGLICHE URSACHEN	LÖSUNG
Regeneriersalzanzeige leuchtet	Der Salzbehälter ist fast leer.	Befüllen Sie den Behälter mit Salz (weitere Informationen – siehe <i>SALZBEHÄLTER BEFÜLLEN</i>). Prüfen Sie die bei Bedarf die Wasserhärteeinstellung (siehe <i>WASSERHÄRTE-TABELLE</i>).
Regeneriersalzanzeige blinkt	Salzbehälter ist leer.	Den Behälter sobald wie möglich mit Salz nachfüllen. Der Gebrauch des Geräts ohne Salz kann Schäden an seinen Innenbauteilen verursachen.
Klarspüleranzeige leuchtet auf oder blinkt	Klarspülbehälter ist leer. (Nach dem Auffüllen kann es kurze Zeit dauern, bis die Klarspüleranzeige erlischt).	Befüllen Sie den Behälter mit Klarspüler (weitere Informationen – siehe <i>KLARSPÜLERPENDER AUF-FÜLLEN</i>).
Entkalken-Anzeige leuchtet auf oder blinkt; der „dES“ Alarm wird angezeigt.	Kalk lagert sich an Innenbauteilen des Geräts ab.	Entkalken Sie das Gerät sofort mit dem Selbstreinigend-Programm und einem handelsüblichen Entkalkungsmittel (siehe <i>OPTIONEN UND FUNKTIONEN</i>). Befüllen Sie den Behälter mit Salz. Prüfen Sie die Wasserhärteeinstellung. Wird das Gerät nicht entkalkt, funktioniert es nicht mehr.
Die Spülmaschine startet nicht oder reagiert nicht auf die Bedienungseingaben.	Das Gerät wurde nicht richtig eingesteckt.	Schließen Sie den Netzstecker an.
	Stromausfall.	Aus Sicherheitsgründen wird der Geschirrspüler nicht automatisch neu gestartet, wenn die Stromversorgung wiederhergestellt wird. Öffnen Sie die Tür des Geschirrspülers, drücken Sie die Taste START/Pause und schließen Sie die Tür erneut innerhalb von 4 Sekunden.
	Die Gerätetür schließt nicht. NaturalDry Pin ist nicht eingezogen.	Drücken Sie die Tür energisch, bis ein „Klicklaut“ zu hören ist.
	Ein Spülgang wird unterbrochen, wenn die Tür mehr als 4 Sekunden lang geöffnet wird.	START/Pause drücken und die Tür innerhalb von 4 Sekunden schließen.
Der Geschirrspüler pumpt das Wasser nicht ab. Das Display zeigt: F7 E3 oder F9 E1	Im Filtersieb haben sich Speisereste oder Kalk angesammelt.	Reinigen Sie den Filter und entkalken Sie das Gerät (siehe <i>REINIGUNG DER FILTEREINHEIT und ENTKALKEN</i>).
	Ablaufschlauch ist geknickt.	Den Ablaufschlauch prüfen (siehe <i>INSTALLATIONSANWEISUNG</i>).
	Der Ablauf des Spülbeckens ist verstopft.	Den Ablauf des Spülbeckens reinigen.
Der Geschirrspüler ist zu laut.	Das Geschirr schlägt aneinander.	Positionieren Sie das Geschirr korrekt (siehe <i>KÖRBE BELADEN</i>).
	Es ist zu viel Schaum vorhanden.	Das Spülmittel wurde nicht richtig dosiert oder ist für Geschirrspüler ungeeignet (siehe <i>EINFÜLLEN DES SPÜLMITTELS</i>). Starten Sie das laufende Programm durch Ausschalten des Geschirrspülers neu. Schalten Sie das Gerät wieder ein, wählen Sie ein neues Programm, drücken Sie START/Pause und schließen Sie die Tür innerhalb von 4 Sekunden. Kein Spülmittel zufügen.
	Das Geschirr wurde nicht korrekt eingeräumt.	Positionieren Sie das Geschirr korrekt (siehe <i>KÖRBE BELADEN</i>).
	Im Filtersieb haben sich Speisereste oder Kalk angesammelt.	Die Filtereinheit reinigen (siehe <i>PFLEGE UND WARTUNG</i>).
Das Geschirr ist nicht sauber geworden.	Das Geschirr wurde nicht korrekt eingeräumt.	Positionieren Sie das Geschirr korrekt (siehe <i>KÖRBE BELADEN</i>).
	Sprüharme können nicht frei drehen, werden durch das Geschirr blockiert.	Positionieren Sie das Geschirr korrekt (siehe <i>KÖRBE BELADEN</i>). Prüfen, dass der obere Korb in der richtigen Position ist und bei Bedarf einstellen (anheben).
	Das Spülprogramm ist zu schwach.	Ein geeignetes Spülprogramm wählen (siehe <i>PROGRAMMTABELLE</i>).
	Es ist zu viel Schaum vorhanden.	Das Spülmittel wurde nicht richtig dosiert oder ist für Geschirrspüler ungeeignet (siehe <i>EINFÜLLEN DES SPÜLMITTELS</i>).
	Der Stöpsel des Klarspülerbehälters wurde nicht korrekt geschlossen.	Sicherstellen, dass der Stöpsel des Klarspülerbehälters geschlossen ist.
	Im Filtersieb haben sich Speisereste oder Kalk angesammelt.	Den Filter reinigen und das Gerät entkalken (siehe <i>REINIGUNG DER FILTEREINHEIT</i>).
Der Geschirrspüler lädt kein Wasser. Am Display erscheint: H20 und leuchtet; ein akustischer Alarm ertönt.	Kein Wasser im Wassernetz oder zugezogener Wasserhahn.	Sicherstellen, dass Wasser im Wassernetz ist und der Wasserhahn offen ist.
	Der Wasserzulaufschlauch ist geknickt.	Den Zulaufschlauch prüfen (siehe <i>INSTALLATION</i>). Öffnen Sie die Tür des Geschirrspülers, drücken Sie die Taste START/Pause und schließen Sie die Tür erneut innerhalb von 4 Sekunden.
	Das Sieb im Wasserzulaufschlauch ist verstopft. Es muss gereinigt werden.	Das Sieb im Wasserzulaufschlauch kontrollieren und reinigen. Öffnen Sie die Tür des Geschirrspülers, drücken Sie die Taste START/Pause und schließen Sie die Tür erneut innerhalb von 4 Sekunden.
Der Geschirrspüler beendet das Programm vorzeitig. Am Display erscheint: F8 E3	Im Filtersieb haben sich Speisereste oder Kalk angesammelt.	Reinigen Sie den Filter und entkalken Sie das Gerät (siehe <i>REINIGUNG DER FILTEREINHEIT und ENTKALKEN</i>).
	Ablaufschlauch zu niedrig positioniert oder Siphonwirkung in die Hauskanalisation.	Prüfen, ob das Ende des Ablaufschlauchs auf der richtigen Höhe positioniert ist (siehe <i>INSTALLATION</i>). Prüfen, ob eine Siphonwirkung in die Hauskanalisation vorliegt, installieren Sie bei Bedarf einen Vakuumbrecher/ein Belüftungsventil.
	Es ist zu viel Schaum vorhanden.	Das Spülmittel wurde nicht richtig dosiert oder ist für Geschirrspüler ungeeignet (siehe <i>EINFÜLLEN DES SPÜLMITTELS</i>).
	Luft im Wasserzulauf.	Wasserzulauf auf Lecks oder sonstige Störungen mit Lufteintritt prüfen.

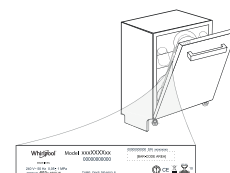
STÖRUNGEN	MÖGLICHE URSACHEN	LÖSUNG
Das Geschirr ist nicht gut getrocknet.	Kein Klarspüler vorhanden oder die Dosierung ist zu niedrig.	Stellen Sie sicher, dass der Klarspülerspender gefüllt ist (<i>siehe KLARSPÜLERSPENDER AUFFÜLLEN</i>). Die Verwendung von multifunktionalen Tabs allein liefert nicht so gute Trocknungsergebnisse wie die Verwendung von flüssigem Klarspüler.
	Das Geschirr wurde ausgeräumt, nachdem die Tür automatisch geöffnet wurde, jedoch vor dem tatsächlichen Programmende.	Stellen Sie sicher, dass das Programm beendet wurde, bevor Sie das Geschirr ausräumen (<i>siehe TÄGLICHER GEBRAUCH</i>). Für noch bessere Trocknungsergebnisse wird empfohlen, das Geschirr bei geöffneter Tür weitere 15 Minuten nach Programmende im Geschirrspüler zu lassen.
	Das Geschirr sitzt zu flach.	Wenn Sie Wasserpfützen in Hohlräumen von Tassen, Bechern oder Schüsseln beobachten, versuchen Sie das Geschirr (insbesondere im oberen Korb) mit mehr Neigung zu laden. Damit kann mehr Wasser abtropfen, bevor das Trocknen beginnt.
	Das gewählte Programm hat keinen Trockengang.	Bitte prüfen Sie in der <i>PROGRAMMTABELLE</i> , ob das ausgewählte Programm einen Trockengang vorsieht. Programme ohne Trockengang können nicht das gewünschte Trocknungsergebnis bringen. Es wird daher empfohlen, die Programmauswahl auf ein Programm zu ändern, das über einen Trockengang verfügt.
	Das Geschirr besteht aus Antihafmaterial oder aus Kunststoff.	Einige auf dieser Art von Material verbleibende Wassertropfen sind normal.
Geschirr und Gläser haben blaue Schlieren oder bläuliche Schattierungen.	Klarspüler wurde zu hoch dosiert.	Dosierung niedriger einstellen.
Geschirr und Gläser sind mit Kalkablagerungen oder einem weißen Belag bedeckt.	Salzbehälter ist leer.	Den Behälter sobald wie möglich mit Salz nachfüllen. Der Gebrauch des Geräts ohne Salz kann Schäden an seinen Innenbauteilen verursachen.
	Die Wasserhärteeinstellung ist zu niedrig.	Die Einstellung erhöhen (<i>siehe WASSERHÄRTETABELLE</i>).
	Der Deckel des Salzbehälters ist nicht richtig geschlossen.	Salzbehälterdeckel prüfen und verschließen.
	Der Klarspülerbehälter ist leer oder die Klarspülerdosierung ist unzureichend.	Befüllen Sie den Behälter mit Klarspüler und prüfen Sie die Dosierungseinstellung (weitere Informationen - <i>siehe KLARSPÜLERSPENDER AUFFÜLLEN</i>).
Geschirrspüler zeigt F8 E5 an	Ventil ist blockiert oder fehlerhaft.	Den Wasserhahn schließen, sofern möglich. Schalten Sie die Stromversorgung nicht aus. Kundendienst kontaktieren.



Firmenrichtlinien, Standarddokumentation, Ersatzteilbestellung und zusätzliche Produktinformationen finden Sie unter:

- Verwenden Sie den QR-Code und besuchen Sie unsere Internetseite docs.whirlpool.eu
- Besuchen Sie unsere Internetseite: parts-selfservice.whirlpool.com
- Alternativ können Sie **unseren Kundendienst kontaktieren** (Siehe Telefonnummer in dem Garantieheft). Wird unser Kundendienst kontaktiert, bitte die Codes auf dem Typenschild des Produkts angeben.

Die Modellinformation ist über den QR-Code auf der Energieverbrauchskennzeichnung aufrufbar. Die Kennzeichnung enthält auch die Modellnummer, die den Zugang zum Verzeichnisportal unter <https://eprel.ec.europa.eu> ermöglicht.





GRACIAS POR COMPRAR UN PRODUCTO WHIRLPOOL.
Si desea recibir un servicio más completo, registre su aparato en: www.whirlpool.eu/register

Antes de usar el aparato, lea atentamente las instrucciones de seguridad e instalación. Más información sobre su producto disponible en el sitio web: docs.whirlpool.eu



Después de la instalación, recuerde retirar todas las piezas de protección para el transporte del lavavajillas.

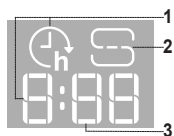
PANEL DE CONTROL



1. Botón de **ENCENDER-APAGAR/Restablecer** con indicador luminoso
2. Botón de **programa ECO** con indicador luminoso
3. Botón de **programa Auto Intensivo** con indicador luminoso
4. Botón de **programa Auto Mezclado** con indicador luminoso
5. Botón de **programa Auto Rápido** con indicador luminoso
6. Botón de **programa Rápido** con indicador luminoso
7. Botón de **programa Cristal** con indicador luminoso / **programa de Autolimpieza** - pulsar 3 seg.
8. Botón de **programa Prelavado** con indicador luminoso
9. Indicador luminoso de depósito de **sal vacío**
10. Indicador luminoso de depósito de **abrillantador vacío**
11. **Pantalla**

12. **Número de programa** e indicador de **tiempo restante**
13. Indicador luminoso de **Grifo Cerrado**
14. Indicador luminoso **DESCALCIFICACIÓN**
15. Botón de **opción Power Clean®** con indicador luminoso
16. Botón de **opción de Media Carga** con indicador luminoso
17. Botón de **opción Secado Extra** con indicador luminoso / **Ajustes** - pulsar 3 seg.
18. Botón de **opción Silencioso** con indicador luminoso
19. Botón de **opción Sani Abrillatado** con indicador luminoso
20. Botón de **opción Turbo** con indicador luminoso
21. Botón de **opción Aplazamiento** con indicador luminoso
22. Botón de **INICIO/Pausa** con indicador luminoso

VISUALIZACIÓN EN EL SUELO



1. **Tiempo de retardo en el suelo** - indicador del tiempo que falta para el inicio del ciclo, cuando la opción de retardo está configurada
2. **Depósito de sal vacío** - Indicador luminoso de depósito de sal vacío en el suelo
3. **Tiempo restante en el suelo** - indicador del tiempo que queda para el final del ciclo

PRIMER USO

AJUSTES MENÚ

1. Encienda el aparato pulsando el botón **ENCENDER-APAGAR** (⏻).
2. Mantenga pulsado el botón de **Ajustes** (⚙️) (Secado Extra ())) durante 3 segundos, hasta que oiga una señal acústica y la pantalla muestre "SET".
3. Después de un segundo se mostrará el primer ajuste disponible (letra "h").
4. Pulse **programa Prelavado** (☺️) / **opción Power Clean®** (POWER CLEAN) para desplazarse por la lista de ajustes disponibles (véase la tabla siguiente) y, a continuación, pulse **INICIO/Pausa** (▶️) para ver y cambiar el valor del ajuste actualmente seleccionado.
5. Pulse **programa Prelavado** (☺️) / **opción Power Clean®** (POWER CLEAN) para cambiar el valor y, a continuación, pulse **INICIO/Pausa** (▶️) para guardar el nuevo valor.
6. Para cambiar otro ajuste, repita los puntos 2 y 5.
7. Pulse **ENCENDER-APAGAR** (⏻) o espere 30 segundos para salir del menú.

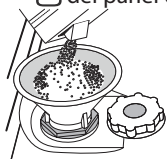
LETRA	AJUSTE	VALORES (Por defecto - en negrita)
h	Nivel de dureza del agua (consulte "AJUSTE DE LA DUREZA DEL AGUA" y "TABLA DE DUREZA DEL AGUA")	1 2 3 4 5
f	Nivel del abrillantador (consulte "AJUSTE DE LA DOSIS DE ABRILLANTADOR")	0 1 2 3 4 5
d	NaturalDry (consulte "OPCIONES Y FUNCIONES") "1" = Encendido, "0" = Apagado	1 0
t	Tiempo en el suelo (consulte "OPCIONES Y FUNCIONES") "1" = Encendido, "0" = Apagado	1 0
s	Sonido "1" = Encendido, "0" = Apagado	1 0
l	Luces internas (consulte "OPCIONES Y FUNCIONES") "1" = Encendido, "0" = Apagado	1 0
i	Ajustes de fábrica Pulse INICIO/Pausa para restablecer los valores de fábrica de todos los ajustes incluidos en el menú de configuración.	-

LLENADO DEL DEPÓSITO DE SAL

El uso de sal evita la formación de INCRUSTACIONES DE CAL en la vajilla y en los componentes funcionales de la máquina.

El depósito de sal se encuentra en la parte inferior del lavavajillas (bajo la rejilla inferior del lado izquierdo).

- Es obligatorio que el **depósito de sal no esté nunca vacío**.
- Es importante ajustar la dureza del agua.
- La sal debe llenarse cuando el indicador luminoso de RECARGA DE SAL (S) del panel de control esté encendido.



1. Retire la bandeja inferior y desenrosque el tapón del depósito (en sentido antihorario).
2. Coloque el embudo (consulte figura) y llene el depósito de sal hasta el borde (aproximadamente 0,5 kg); puede derramarse un poco de agua.
3. **Pasos a seguir solo la primera vez: llene el depósito de sal con agua.**

4. Retire el embudo y limpie cualquier residuo de sal del orificio.

Asegúrese de que el tapón esté bien cerrado, de modo que el detergente no pueda entrar en el depósito durante el programa de lavado (esto podría estropear irremisiblemente el ablandador del agua).

Ejecute un programa cada vez que termine de rellenar el depósito de sal para evitar la corrosión.

Ajuste de la dureza del agua

Para que el ablandador del agua funcione a la perfección, es esencial que la configuración de la dureza del agua se base en la dureza real del agua de su casa. Su suministrador de agua local le puede proporcionar esta información. El ajuste de fábrica es "3". Consulte "TABLA DE DUREZA DEL AGUA".

Tabla de dureza del agua			
Level	°dH Niveles Alemanes	°fH Niveles Franceses	°Clark Niveles Ingleses
1 (blanda)	0 - 6	0 - 10	0 - 7
2 (media)	7 - 11	11 - 20	8 - 14
3 (normal)	12 - 16	21 - 29	15 - 20
4 (dura)	17 - 34	30 - 60	21 - 42
5 (muy dura)	35 - 50	61 - 90	43 - 62

Para cambiarlo, siga las instrucciones del apartado "AJUSTES MENÚ".

Utilice solamente sal fabricada específicamente para lavavajillas.

Cuando haya echado la sal dentro del depósito, el indicador luminoso de RECARGA DE SAL se apagará.

Si el depósito de sal no se llena, el ablandador del agua y la resistencia pueden sufrir daños como resultado de la acumulación de incrustaciones de cal.

Se recomienda utilizar sal con cualquier tipo de detergente para lavavajillas.

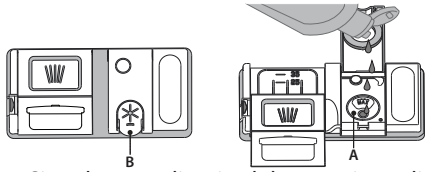
SISTEMA DE ABLANDAMIENTO DE AGUA

El ablandador del agua reduce automáticamente la dureza del agua, evitando así la acumulación de incrustaciones en el calentador y permitiendo también una mayor eficiencia del lavado. **Este sistema se regenera con sal, por lo que es necesario rellenar el depósito de sal cuando está vacío.** La frecuencia de la regeneración depende del ajuste del nivel de dureza del agua. La regeneración se produce una vez cada 4-6 ciclos Eco con la dureza del agua ajustada en el nivel 3. Durante los periodos de funcionamiento con regeneración, se producirá un llenado adicional del sistema de gestión del agua. El proceso de regeneración y gestión del agua se produce al principio del ciclo con agua potable adicional.

- Una regeneración consume: ~6,5 l de agua;
- Añade hasta 5 minutos adicionales al ciclo;
- Consume menos de 0,005 kWh de energía.

LLENADO DEL DISPENSADOR DEL ABRILLANTADOR

El abrillantador facilita el SECADO de la vajilla. El dispensador de abrillantador A se debe rellenar cuando el indicador luminoso ABRILLANTADOR (☼) del panel de control se encienda.



1. Abra el dispensador **B** pulsando y subiendo la lengüeta de la cubierta.
2. Introduzca el abrillantador con cuidado como máximo hasta la última marca (110 ml) de referencia del depósito, evitando que se derrame.

Si se derrama, limpie el derrame inmediatamente con un paño seco.

3. Pulse la cubierta hacia abajo hasta que oiga un «clic» para cerrarla.

NUNCA eche el abrillantador directamente en la cuba.

Ajuste de la dosis de abrillantador

Si los resultados del secado no le satisfacen totalmente, puede ajustar la cantidad de abrillantador utilizada. Para cambiarlo, siga las instrucciones del apartado „AJUSTES MENÚ“.

Si se selecciona el nivel de abrillantador CERO, no se suministrará abrillantador. El indicador luminoso de **ABRILLANTADOR BAJO** no se encenderá si el abrillantador se termina.

Se pueden configurar **6** niveles como máximo según el modelo de lavavajillas.

- Si ve manchas azuladas en la vajilla, seleccione un número bajo (0-3).
- Si hay gotas de agua o incrustaciones de cal en la vajilla, seleccione un número alto (4-5).

USO DIARIO

1. COMPROBACIÓN DE LA CONEXIÓN DE AGUA

Compruebe que el lavavajillas esté conectado al suministro de agua y que el grifo esté abierto.

2. ENCENDIDO DEL LAVAVAJILLAS

Abra la puerta y pulse el botón **ENCENDER/APAGAR**.

3. CARGA DE LAS BANDEJAS (consulte LLENADO DEL LAVAVAJILLAS).

4. LLENADO DEL DISPENSADOR DE DETERGENTE

5. ESCOGER EL PROGRAMA Y PERSONALIZAR EL CICLO

Seleccione el programa más apropiado según el tipo de vajilla y el nivel de suciedad (consulte DESCRIPCIÓN DE PROGRAMAS) pulsando el botón del **PROGRAMA** seleccionado.

Seleccione las opciones deseadas (consulte OPCIONES Y FUNCIONES). No todas las opciones son compatibles con todos los programas.

6. INICIO

Inicie el ciclo de lavado pulsando el botón **INICIO/Pausa** y cerrando la puerta en un plazo de 4 seg. Cuando el programa se inicia se oye una señal acústica. Si la puerta no se ha cerrado en un plazo de 4 seg, suena la alarma. En este caso, abra la puerta, pulse el botón **INICIO/Pausa** y vuelva a cerrar la puerta en un plazo de 4 segundos.

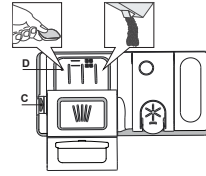
7. FINALIZACIÓN DEL CICLO DE LAVADO

El final del ciclo lavado se indica mediante un sonido y la pantalla muestra la palabra **END (FIN)**. Abra la puerta y apague el aparato pulsando el botón **ENCENDER/APAGAR**.

Espere unos minutos antes de retirar la vajilla, para evitar quemaduras. Descargue las bandejas, empezando por la inferior.

RELLENAR EL DISPENSADOR DE DETERGENTE

Para abrir el dispensador de detergente utilice el mecanismo de apertura **C**. Introduzca el detergente solo en el dispensador **D** seco. Eche la cantidad de detergente para el prelavado directamente dentro de la cuba.



1. Cuando dosifique el detergente, consulte la información mencionada anteriormente para añadir la cantidad correcta. Dentro del dispensador **D** hay indicaciones para ayudarle a dosificar el detergente.
2. Retire los restos de detergente de los bordes del dispensador y cierre la tapa hasta oír un clic.
3. Cierre la tapa del dispensador de detergente levantándola hasta que el mecanismo de cierre quede bien fijado.

El dispensador de detergente se abre automáticamente en el momento adecuado según el programa.

El uso de detergente no diseñado para lavavajillas puede provocar fallos de funcionamiento o daños en el aparato.

MODIFICACIÓN DE UN PROGRAMA EN CURSO

Si se ha equivocado al seleccionar el programa, se puede cambiar, siempre que acabe de empezar. **REINICIAR** la máquina: mantenga pulsado el botón **ENCENDER/APAGAR** durante más de 3 segundos, la máquina se apagará. El tablero mostrará "0:01". Cierre la puerta y espere a que termine el ciclo de desagüe (1 minuto aproximadamente). Abra la puerta, vuelva a encender la lavadora utilizando el botón de **ENCENDER/APAGAR** y seleccione el nuevo ciclo de lavado y las opciones. Inicie el ciclo pulsando el botón **INICIO/Pausa** y cerrando la puerta en 4 segundos.

AÑADIR VAJILLA EXTRA

Sin apagar la máquina, abra primero ligeramente la puerta para evitar que el agua salpique (el LED de **INICIO/Pausa** comienza a parpadear) (**Precaución: ¡vapor caliente!**) y coloque la vajilla dentro del lavavajillas. Pulse el botón **INICIO/Pausa** y cierre la puerta en un plazo de 4 seg; el ciclo se reanudará desde el punto en el cual se interrumpió.

INTERRUPCIONES ACCIDENTALES

Si se abre la puerta durante el ciclo de lavado, o si hay un corte de corriente, el ciclo se detiene. **SOLO SI PRESIONA** el botón **INICIO/Pausa** y cierra la puerta en un plazo de 4 seg, el ciclo se reanudará desde el punto en el cual se interrumpió.

SISTEMA DE GESTIÓN DEL AGUA

Este lavavajillas permite almacenar hasta 3,2 litros de agua potable utilizándolo en los programas seleccionados. El agua es almacenada en un depósito específico y se utiliza en los programas seleccionados posteriormente. Se recomienda realizar periódicamente el ciclo de Autolimpieza (consulte TABLA DE PROGRAMAS).

SUGERENCIAS Y CONSEJOS

CONSEJOS

Antes de cargar los cestos, elimine todos los residuos de comida de la vajilla y vacíe los vasos. **No es necesario aclarar previamente con agua corriente.** Coloque la vajilla de tal modo que quede bien sujeta y no se vuelque; y coloque los recipientes con las bocas hacia abajo y las partes cóncavas/convexas en posición oblicua, permitiendo que el agua llegue a todas las superficies y fluya libremente.

Advertencia: tapas, mangos, bandejas y sartenes no deben impedir que los brazos aspersores giren.

Coloque cualquier objeto pequeño en el canastillo para cuchillería. La vajilla y los utensilios muy sucios se deberían colocar en la bandeja inferior porque en este sector los aspersores de agua son más resistentes y permiten un rendimiento de lavado superior. Una vez cargado el aparato, asegúrese de que los brazos aspersores puedan girar libremente.

VAJILLA INADECUADA

- Vajilla y cubiertos de madera.
- Cristalería con adornos delicados, artesanía y vajilla antigua. Los adornos no son resistentes.
- Partes de material sintético que no resistan altas temperaturas.
- Vajilla de cobre y latón.
- Vajilla sucia de ceniza, cera, grasa lubricante o tinta.

Los colores de los adornos del cristal y las piezas de aluminio/plata pueden cambiar y descolorarse durante el proceso de lavado. Algunos tipos de vidrios (p. ej. los objetos de cristal) también pueden volverse opacos después de varios ciclos de lavado.

DAÑOS A LA CRISTALERÍA Y A LA VAJILLA

- Utilice solo cristalería y porcelana garantizadas por el fabricante como aptas para lavavajillas.
- Utilice un detergente delicado adecuado para la vajilla.
- Saque la cristalería y la cubertería del lavavajillas inmediatamente después de la finalización del ciclo de lavado.

CONSEJOS SOBRE AHORRO ENERGÉTICO

- Si el lavavajillas doméstico se utiliza siguiendo las instrucciones del fabricante, **lavar platos en el lavavajillas suele consumir MENOS ENERGÍA y agua que el lavado a mano.**

- Para maximizar la eficiencia del lavavajillas, **se recomienda iniciar el ciclo de lavado cuando el lavavajillas esté totalmente cargado.** Cargar el lavavajillas doméstico hasta la capacidad indicada por el fabricante contribuirá a ahorrar energía y agua. Puede encontrar información sobre la carga correcta de la vajilla en el capítulo CARGA DE LAS CESTAS. En caso de carga parcial, se recomienda utilizar las opciones de lavado específicas si están disponibles (Media Carga/ Zone Wash/ Multizonas), llenando solo las cestas seleccionadas. La carga incorrecta o excesiva del lavavajillas puede aumentar el consumo de recursos (como el agua, la energía y el tiempo, así como el nivel de ruido), reduciendo el rendimiento de lavado y de secado.
- El preclarado manual de la vajilla conlleva un mayor consumo de agua y energía y no está recomendado.

HIGIENE

Para evitar malos olores y sedimentos que se pueden acumular en el lavavajillas, **ejecute un programa a alta temperatura al menos una vez al mes.** Utilice una cucharada de café de detergente y ejecútelo sin carga para limpiar el aparato.

TRANSPORTE O MANTENIMIENTO DEL LAVAVAJILLAS

Este lavavajillas incluye un depósito de agua que puede permanecer lleno de agua una vez finalizado el ciclo (el agua puede salir si / cuando el lavavajillas se vuelva). **Nota:** Antes de realizar el mantenimiento o mover el lavavajillas, ejecute el ciclo de Autolimpieza para vaciar el depósito de agua.

RESISTENCIA A LAS HELADAS

Si se va a colocar el electrodoméstico en un lugar con riesgo de heladas, **debe desaguar completamente.** Ejecute el ciclo de Autolimpieza para vaciar el depósito de agua. Cierre la llave del agua, retire los tubos de entrada y de salida y deje que desagüe completamente. **Asegúrese de que el descalcificador esté lleno de sal regeneradora disuelta en el depósito de sal** para proteger el electrodoméstico de temperaturas de hasta -20 °C. Si el aparato se ha almacenado en condiciones de heladas, debe permanecer a una temperatura ambiente de mín. 5°C durante **al menos 24 horas** antes de la primera puesta en marcha.

TABLA DE PROGRAMAS

Programa	Descripción de programas	Fase de secado	NaturalDry	Opciones disponibles ^{*)}	Duración del programa de lavado (h:min) ^{**)}	Consumo de agua (litros/ciclo)	Consumo de energía (kWh/ciclo)
Eco	Eco 50° - Programa Eco es adecuado para lavar utensilios con suciedad normal, para este uso es el programa más eficiente en términos de consumo combinado de energía y agua, y se utiliza para valorar el cumplimiento con la legislación de Eco-diseño de la UE.	✓	✓		4:30	9,5	0,55
	Auto Intensivo 65° - Programa automático para vajillas y utensilios muy sucios.	✓	✓		2:25 - 3:10	15,5 - 24,5	1,30 - 1,70
	Auto Mezclado 55° - Programa automático para vajilla normalmente sucia con restos de comida seca.	✓	✓		1:20 - 3:00	7,5 - 19,5	0,75 - 1,20
	Auto Rápido 50° - Programa automático para vajilla con suciedad normal y ligera. El ciclo diario que garantiza un rendimiento de limpieza y secado óptimos en poco tiempo.	✓	✓		1:00 - 1:50	7,5 - 15,5	0,70 - 1,10
	Rápido 45° - Este programa se recomienda para una cantidad limitada de vajilla poco sucia y sin restos de comida seca. No incluye fase de secado.	-	✓		0:30 - 0:40	10,0 - 12,0	0,55 - 0,65
	Cristal 45° - Programa para artículos delicados, que son más sensibles a las temperaturas altas, por ejemplo vasos y tazas.	✓	✓		1:40 - 1:50	12,5 - 16,5	0,95 - 1,20
	Prelavado - Se utiliza para remojar la vajilla que planea lavar más tarde. Con este programa no se debe utilizar detergente.	-	✓		0:12	4,5	0,10
	Autolimpieza 65° - Programa para realizar el mantenimiento del lavavajillas y del sistema de gestión del agua. Solo debe llevarse a cabo cuando el lavavajillas esté VACÍO usando detergentes específicos diseñados para el mantenimiento de lavavajillas.	-	-		1:40	11,0	1,10

Los datos del programa ECO se miden bajo condiciones de laboratorio de conformidad con la Norma europea EN 60436:2020.

Nota para los laboratorios de pruebas: para obtener información detallada sobre las condiciones de la prueba comparativa EN, escribir a la siguiente dirección: dw_test_support@whirlpool.com

No es necesario ningún tratamiento previo de la vajilla antes de ninguno de los programas.

*) No todas las opciones se pueden utilizar simultáneamente.

**) Los valores indicados para los programas distintos al programa Eco son indicativos. El tiempo real puede variar dependiendo de muchos factores como la temperatura y la presión del agua de entrada, la temperatura ambiente, la cantidad de detergente, la cantidad y el tipo de carga, la colocación de la carga, las opciones adicionales seleccionadas y la calibración del sensor. La calibración del sensor puede incrementar la duración del programa hasta 20 min.

OPCIONES Y FUNCIONES

Las **OPCIONES** pueden seleccionarse/deseleccionarse, después de elegir el programa, directamente pulsando el botón correspondiente (si está disponible - el indicador se enciende) (ver **PANEL DE CONTROL**). Si una opción no es compatible con el programa seleccionado (ver **TABLA DE PROGRAMAS**), el led correspondiente parpadea rápidamente 3 veces y suenan unos pitidos. La opción no se habilitará. Una opción puede cambiar el tiempo o el consumo de agua o energía para el programa.

POWER CLEAN® - Gracias a los chorros suplementarios, esta opción proporciona una limpieza más intensa y enérgica en el cesto inferior, en el área específica. Esta opción se recomienda para lavar ollas y cacerolas. (consulte la sección de carga de Power Clean®).

MEDIA CARGA - Si no hay muchos platos que lavar, se utiliza la función MEDIA CARGA para ahorrar agua, electricidad o tiempo dependiendo del programa seleccionado. **Recuerde reducir la cantidad de detergente.**

SECADO EXTRA - La temperatura más alta durante el aclarado final y la fase de secado prolongada permiten un mejor secado.

SILENCIOSO - Adecuado para hacer funcionar el dispositivo de noche. Esta opción puede utilizarse para limitar las emisiones de ruido durante las fases de lavado. Aumentará el tiempo del ciclo dependiendo de la selección del ciclo base.

SANI ABRILLANTADO - Esta opción puede utilizarse para la desinfección de los platos lavados. Incrementa la temperatura del abrillantado final y añade un lavado antibacteriano al programa seleccionado. Ideal para vajilla limpia y biberones. La puerta del lavavajillas se debe mantener cerrada mientras dure el programa para garantizar la reducción de los gérmenes.

ADVERTENCIA: la vajilla y los utensilios pueden estar muy calientes al final del ciclo.

TURBO - Gracias a la opción TURBO puede reducir el tiempo hasta un 40% en función del programa base seleccionado. Aumenta el consumo de energía y agua.

APLAZAMIENTO - El inicio del programa se puede retrasar un periodo de tiempo de entre **0:30 y 24 horas**.

- Selección el programa y cualquier opción deseada. Pulse el botón APLAZAMIENTO repetidamente para retrasar el inicio del programa. Puede ajustarse de 0:30 a 24 horas. Una vez alcanzado el ajuste de 24 horas, pulse la tecla APLAZAMIENTO otra vez para desactivar la función APLAZAMIENTO.
- Pulse el botón INICIO/Pausa y cierre la puerta en un plazo de 4 seg.
- Cuando ha transcurrido este tiempo, el indicador luminoso se apaga y el programa empieza automáticamente.

La función de APLAZAMIENTO no se puede seleccionar una vez iniciado un programa.

TIEMPO EN EL SUELO - Una luz LED proyectada en el suelo indica el tiempo que queda para el final del ciclo. La luz se apaga cada vez que se abre la puerta. La luz se apaga al final del ciclo. Esta función está activa por defecto, pero se puede desactivar en el „AJUSTES MENU”.

NaturalDry - Es un sistema de secado por convección que abre la puerta automáticamente durante/después de la fase de secado para garantizar un rendimiento excepcional y regular del secado. La puerta se abre a una temperatura segura para los muebles de cocina. Por lo tanto, la puerta no se abre si se elige la función SANI ABRILLANTADO. Como protección adicional contra el vapor, se incluye una lámina protectora especial en el lavavajillas.

Para ver cómo montar la lámina protectora, consulte la GUÍA DE INSTALACIÓN. Esta función está activada por defecto, pero puede desactivarla en el „AJUSTES MENU”.

LUCI INTERNE - Attivando questa funzione, i LED all'interno dell'apparecchio si accendono automaticamente all'apertura della porta e si spengono automaticamente alla sua chiusura. Se la porta rimane aperta per più di 10 minuti, i LED interni si spengono (per riaccenderli si dovrà chiudere e riaprire la porta). Nell'impostazione predefinita questa funzione è attiva, ma è possibile disattivarla nel „AJUSTES MENU”.

DESCALCIFICACIÓN - Alarma - Se ha detectado acumulación de cal en los componentes internos del aparato. Compruebe si el ajuste de la dureza del agua está en el valor correcto y **hay sal en el contenedor de sal** (consulte **PRIMER USO**). **A continuación, utilice un producto descalcificador** (se recomienda la marca WPro) con el **programa de Autolimpieza**. Después de una descalcificación exitosa, el icono dejará de mostrarse. Si no se realizan las medidas anteriores, el rendimiento del producto se deteriorará.

La advertencia DESCALCIFICACIÓN comenzará a parpadear y la alarma «DES» aparecerá en la pantalla. Si aun así no se toma ninguna medida, el aparato sólo permitirá que se inicie un determinado número de ciclos (indicado durante la visualización de la alarma «DES») y luego se **BLOQUEARÁ** para evitar que se dañen los componentes, **estando solo disponible el programa de Autolimpieza**. Realizar una descalcificación completa desbloqueará el producto. En caso de cantidades extremadamente altas de cal, puede ser necesario realizar la descalcificación dos veces para que sea eficaz.

DETECCIÓN - Cuando el sensor está detectando el nivel de suciedad, aparece una animación en la pantalla (alrededor de 20 min) y se actualiza la duración del ciclo. La detección del nivel de suciedad de la vajilla está presente en todos los ciclos (excepto Eco), ajustando el programa en consecuencia.

GRIFO CERRADO - Alarma - Parpadea cuando no hay entrada de agua o cuando el grifo está cerrado.

LLENADO DEL LAVAVAJILLAS

CAPACIDAD: 15 ajustes de servicios estándar

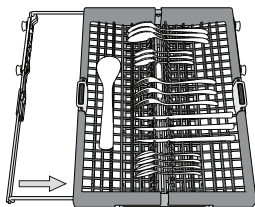
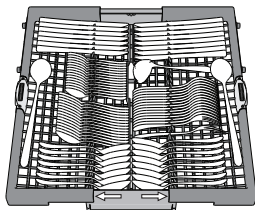
BANDEJA PARA CUBIERTOS

La tercera bandeja está diseñada para alojar los cubiertos. Coloque los cubiertos tal como se muestra en la figura.

La colocación por separado de los cubiertos hace que sean más fáciles de recoger después del lavado y mejora el rendimiento del lavado y el secado.

Los cuchillos y otros utensilios con bordes afilados deben colocarse con las hojas hacia abajo.

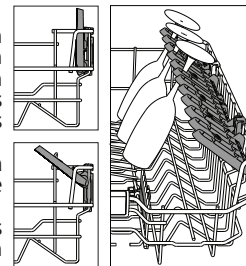
El canastillo para cuchillería está equipado con dos bandejas laterales deslizantes para aprovechar al máximo la altura del espacio inferior y permitir la carga de los artículos altos en la bandeja superior.



Sujeciones plegables con posición ajustable

Las sujeciones plegables laterales se pueden plegar o desplegar para optimizar la disposición de la vajilla en el cesto. Las copas de vino quedan bien aseguradas en las sujeciones plegables insertando el tallo de cada copa en las ranuras correspondientes. Dependiendo del modelo:

- para desplegar las sujeciones, deslícelas hacia arriba y gírelas o suéltelas de los cierres y tire de ellas hacia abajo.
- para plegar las sujeciones, gírelas y deslícelas hacia abajo o tire de ellas hacia arriba y fíjelas en los cierres.

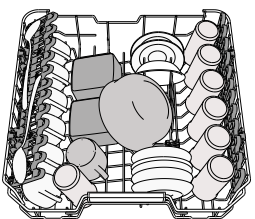


CESTO SUPERIOR

Cargue la vajilla delicada y ligera: vasos, tazas, platos, ensaladeras bajas.

La bandeja superior tiene unos soportes desplegables que se pueden utilizar en posición vertical cuando se coloquen platos de te/postres o en una posición más baja para cargar cuencos y recipientes.

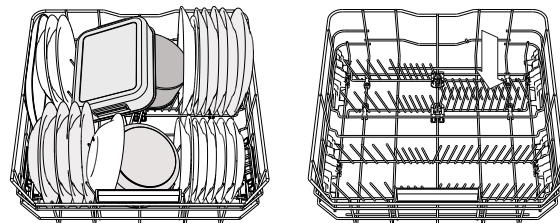
(ejemplo de carga para la bandeja superior)



CESTO INFERIOR

Para ollas, tapas, platos, ensaladeras, cubertería, etc. Se recomienda colocar las bandejas y tapas grandes en los laterales para evitar interferencias con el brazo aspersor.

La bandeja inferior tiene unos soportes desplegables que se pueden utilizar en posición vertical cuando se coloquen platos o en posición horizontal (más baja) para cargar cacerolas y ensaladeras fácilmente.



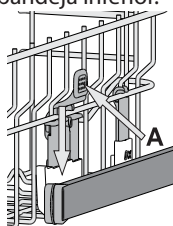
(ejemplo de carga para la bandeja inferior)

Ajuste de la altura de la bandeja superior

la altura de la bandeja superior se puede ajustar: posición alta para colocar vajilla voluminosa en el cesto inferior y posición baja para aprovechar al máximo los soportes desplegables creando más espacio hacia arriba y evitando que colisionen con los artículos cargados en la bandeja inferior.

La bandeja superior está equipada con un **Ajustador de altura de la bandeja superior** (véase la figura). Sin presionar las palancas, levántelo simplemente sujetando los laterales de la bandeja, hasta que la bandeja esté estable en su posición superior. Para volver a la posición más baja, pulse las palancas **A** de los laterales de la bandeja y mueva el cesto hacia abajo.

Le recomendamos encarecidamente que no ajuste la altura de la bandeja cuando esté cargada. NUNCA suba o baje el cesto solo de un lado.



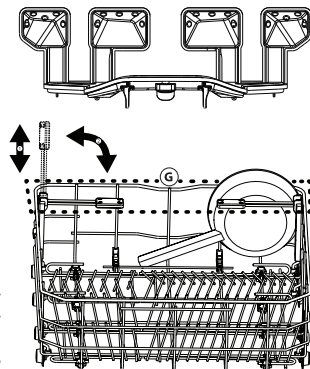
POWER CLEAN®

PowerClean® utiliza los chorros de agua especiales de la parte posterior del interior del lavavajillas para limpiar mejor los utensilios muy sucios. La bandeja inferior tiene una Zona espaciosa, un soporte extensible especial que se puede utilizar para mantener sartenes o moldes en posición vertical, para que ocupen menos espacio.

Hay que colocar las ollas cacerolas mirando el componente Power Clean® y activar **POWER CLEAN** en el panel.

Cómo utilizar PowerClean®:

1. Ajuste el área de PowerClean® (**G**) plegando los soportes para platos en la parte posterior para cargar las ollas.
2. Cargue las ollas y cazuelas inclinadas verticalmente en el área de PowerClean®. Las ollas deben estar inclinadas hacia los chorros a presión.



CUIDADOS Y MANTENIMIENTO

LIMPIEZA DEL CONJUNTO DE FILTRADO

Limpie regularmente el conjunto de filtrado para que los filtros no se obturen y para que el agua residual salga libremente.

El uso del lavavajillas con los filtros obstruidos o con objetos extraños en el sistema de filtrado o en los aspersores puede provocar fallos de funcionamiento que pueden derivar en una pérdida del rendimiento, un aumento del ruido o un mayor consumo de recursos.

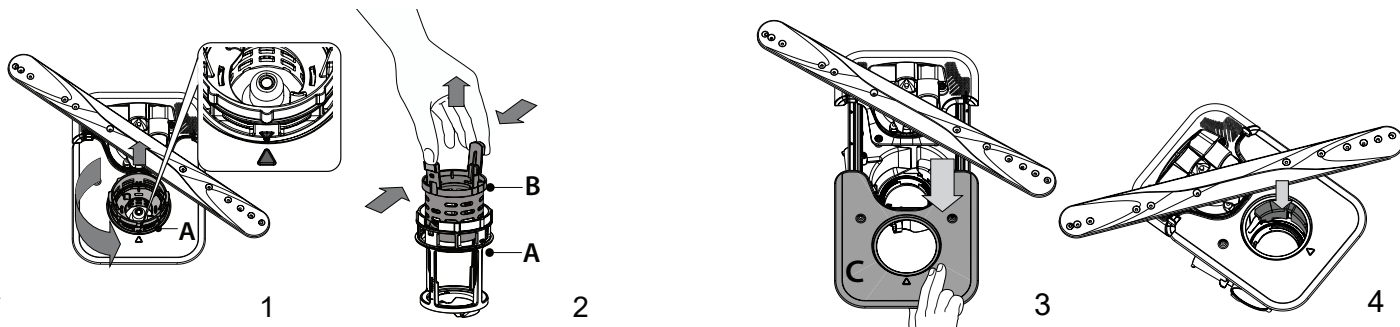
El conjunto de filtrado está formado por tres filtros que eliminan los restos de comida del agua de lavado y que hacen recircular el agua.

El lavavajillas no se debe usar sin filtros o si el filtro está suelto.

Al menos una vez al mes o cada 30 ciclos, revise el conjunto de filtrado y, si es necesario, límpielo a fondo con agua corriente, utilizando un cepillo no metálico y siguiendo estas instrucciones:

1. Gire el filtro cilíndrico **A** hacia la izquierda y extráigalo (Fig 1). **Es importante al reinstalar el filtro que los dos triángulos que se muestran en el zoom se encuentren.**
2. Extraiga el filtro en forma de saco **B** ejerciendo una ligera presión en las sujeciones laterales (Fig 2).
3. Extraiga el filtro de placa de acero inoxidable **C** (Fig 3).
4. Si encuentra objetos extraños (como cristales rotos, porcelana, huesos, semillas, etc.) **retírelos con cuidado.**
5. Inspeccione la trampilla y retire cualquier resto de comida. **NO RETIRE NUNCA** la protección de la bomba del ciclo de lavado (se muestra mediante una flecha) (Fig 4).

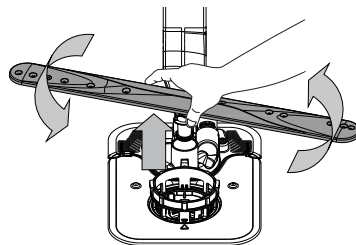
Una vez limpiados los filtros, recolóque el conjunto de filtrado y encájelo correctamente en su sitio; esto es esencial para garantizar el funcionamiento eficiente del lavavajillas



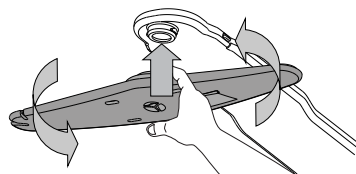
LIMPIEZA DE LOS BRAZOS ASPERSORES

A veces, los residuos de comida se pueden incrustar en los brazos aspersores y bloquear los orificios por donde sale el agua. Por lo tanto, se recomienda revisar los brazos de vez en cuando y limpiarlos con un pequeño cepillo no metálico.

Pour supprimer le pulvérisateur supérieur, vous devez l'enlever avec le collecteur.



El brazo aspersor inferior se puede desmontar ejerciendo presión hacia arriba y girándolo a la izquierda. El montaje del brazo aspersor se realiza tirando de él hacia abajo y girándolo a la derecha.



El brazo aspersor superior se puede desmontar presionándolo hacia arriba y girándolo a la izquierda. El montaje del brazo aspersor se realiza tirando de él hacia arriba y girándolo a la derecha.

RESOLUCIÓN DE PROBLEMAS

Si su lavavajillas no funciona correctamente, compruebe si el problema se puede resolver revisando la siguiente lista. En caso de errores o problemas, póngase en contacto con nuestro Servicio Postventa, cuyos detalles de contacto puede encontrar en el folleto de la garantía. Las piezas de repuesto estarán disponibles por un periodo de hasta 7 o hasta 10 años, de acuerdo con los requisitos específicos del Reglamento.

PROBLEMAS	CAUSAS POSIBLES	SOLUCIONES
Se ha encendido el indicador de sal	El depósito de sal está casi vacío.	Llene el depósito con sal (para obtener más información, consulte <i>LLENADO DEL DEPÓSITO DE SAL</i>). Compruebe el ajuste de la dureza del agua si es necesario - consulte <i>CONFIGURACIÓN DE LA DUREZA DEL AGUA</i> .
El indicador de sal está parpadeando	El depósito de sal está vacío.	Rellene el depósito con sal lo antes posible. El uso del aparato sin sal puede provocar daños en sus componentes internos.
El indicador de abrillantador está encendido o parpadeando	El dosificador de abrillantador está vacío. (Una vez rellenado el indicador del abrillantador puede permanecer encendido por un corto tiempo).	Llene el dosificador con abrillantador (para obtener más información, consulte <i>LLENADO DEL DISPENSADOR DEL ABRILLANTADOR</i>).
El indicador de descalcificación está encendido o parpadeando; aparece la alarma «DES».	La cal se acumula en los componentes internos del aparato.	Descalcifique el aparato inmediatamente utilizando el programa de Autolimpieza y un producto descalcificador disponible en el mercado (consulte <i>OPCIONES Y FUNCIONES</i>). Llene el depósito con sal. Compruebe el ajuste de la dureza del agua. Si el aparato no se descalcifica, dejará de funcionar.
El lavavajillas no se pone en marcha o no responde a las órdenes.	El aparato no está bien enchufado.	Introduzca el enchufe en la toma.
	Apagón.	Por razones de seguridad, el lavavajillas no se reiniciará automáticamente cuando se restablezca la alimentación eléctrica. Abra la puerta del lavavajillas, pulse el botón INICIO/Pausa y cierre la puerta en un plazo de 4 segundos.
	La puerta del lavavajillas no está bien cerrada. La clavija de NaturalDry no está introducida.	Empuje fuerte la puerta hasta que oiga el «clic».
	Un ciclo se interrumpe por la apertura de la puerta durante más de 4 segundos.	Pulse el botón INICIO/Pausa y cierre la puerta dentro de 4 segundos.
El lavavajillas no se vacía. La pantalla muestra: F7 E3 o F9 E1	El panel de control no responde o se muestra F6 E1.	Apague el aparato pulsando el botón ENCENDER-APAGAR/Restablecer, vuélvalo a encender aproximadamente al cabo de un minuto y reinicie el programa. Si el problema persiste, desenchufe el aparato durante 1 minuto y vuelva a enchufarlo.
	El filtro está obstruido con restos de comida o cal.	Limpie el filtro y descalcifique el aparato (consulte <i>LIMPIEZA DEL CONJUNTO DE FILTRADO y INSTRUCCIONES DE DESCALCIFICACIÓN</i>).
	El tubo de desagüe está doblado.	Compruebe el tubo de desagüe (consulte <i>INSTRUCCIONES DE INSTALACIÓN</i>).
El lavavajillas hace demasiado ruido.	El tubo de desagüe del fregadero está bloqueado.	Limpie el tubo de desagüe del fregadero.
	Los artículos chocan entre ellos.	Coloque la vajilla correctamente (consulte <i>LLENADO DEL LAVAVAJILLAS</i>).
	Hay una cantidad excesiva de espuma.	El detergente no se ha dosificado correctamente o no es adecuado para lavavajillas (consulte <i>RELLENAR EL DISPENSADOR DE DETERGENTE</i>). Restablezca el ciclo en curso apagando el lavavajillas, vuélvalo a encender, seleccione un nuevo programa, pulse INICIO/Pausa y cierre la puerta en un plazo de 4 segundos. No añada detergente.
	La vajilla no está bien colocada.	Coloque la vajilla correctamente (consulte <i>LLENADO DEL LAVAVAJILLAS</i>).
	El filtro está obstruido con restos de comida o cal.	Limpie el cuerpo de filtrado (consulte <i>CUIDADOS Y MANTENIMIENTO</i>).

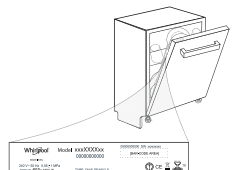
PROBLEMAS	CAUSAS POSIBLES	SOLUCIONES
La vajilla no está limpia.	La vajilla no está bien colocada.	Coloque la vajilla correctamente (<i>consulte LLENADO DEL LAVAVAJILLAS</i>).
	Los brazos aspersores no pueden girar libremente, obstaculizados por la vajilla.	Coloque la vajilla correctamente (<i>consulte LLENADO DEL LAVAVAJILLAS</i>). Compruebe que la rejilla superior está en la posición correcta y ajústela (levántela) si es necesario.
	El ciclo de lavado es demasiado suave.	Seleccione un ciclo de lavado adecuado (<i>consulte la TABLA DE PROGRAMAS</i>).
	Hay una cantidad excesiva de espuma.	El detergente no se ha dosificado correctamente o no es adecuado para lavavajillas (<i>consulte RELLENAR EL DISPENSADOR DE DETERGENTE</i>).
	El tapón del compartimento del abrillantador no se ha cerrado correctamente.	Compruebe que el tapón del dispensador de abrillantador esté cerrado.
	El filtro está obstruido con restos de comida o cal.	Limpié el filtro y descalcifique el aparato (<i>consulte LIMPIEZA DEL CONJUNTO DE FILTRADO</i>).
El lavavajillas no se llena de agua. La pantalla muestra: H2O y Ø está encendida; hay un sonido de alarma acústica.	El depósito de sal está vacío.	Llene el depósito de sal (<i>consulte LLENADO DEL DEPÓSITO DE SAL</i>).
	No hay entrada de agua o el grifo está cerrado.	Compruebe que haya suministro de agua y que el grifo esté abierto.
	La manguera de entrada de agua está doblada.	Compruebe la manguera de agua (<i>consulte INSTALACIÓN</i>). Abra la puerta del lavavajillas, pulse el botón INICIO/Pausa y cierre la puerta en un plazo de 4 segundos.
El lavavajillas finaliza el ciclo de forma prematura. La pantalla muestra: F8 E3	El tamiz de la manguera de entrada está obturado; hay que limpiarlo.	Compruebe y limpie el tamiz de la manguera de entrada de agua. Abra la puerta del lavavajillas, pulse el botón INICIO/Pausa y cierre la puerta en un plazo de 4 segundos.
	El filtro está obstruido con restos de comida o cal.	Limpié el filtro y descalcifique el aparato (<i>consulte LIMPIEZA DEL CONJUNTO DE FILTRADO y INSTRUCCIONES DE DESCALCIFICACIÓN</i>).
	El tubo de desagüe está demasiado bajo o bloquea el sistema de desagüe de la casa.	Compruebe si el extremo del tubo de desagüe está colocado a la altura correcta (<i>consulte INSTALACIÓN</i>). Compruebe si está obstruyendo el sistema de desagüe de la casa e instale un disyuntor de sifones/válvula de entrada de aire si es necesario.
Los platos no se secan bien.	Hay una cantidad excesiva de espuma.	El detergente no se ha dosificado correctamente o no es adecuado para lavavajillas (<i>consulte RELLENAR EL DISPENSADOR DE DETERGENTE</i>).
	Aire en el suministro de agua.	Compruebe que el suministro de agua no tenga fugas o defectos que dejen entrar aire.
	No hay abrillantador o la dosis es demasiado baja.	Asegúrese de que el dispensador de abrillantador esté lleno (<i>consulte LLENADO DEL DISPENSADOR DEL ABRILLANTADOR</i>). Las pastillas multifuncionales no proporcionan un efecto de secado tan bueno como el uso real del abrillantador líquido.
	La vajilla se ha descargado después de la apertura automática de la puerta, pero antes del final del ciclo real.	Asegúrese de que el ciclo ha terminado antes de empezar a descargar la vajilla (<i>consulte USO DIARIO</i>). Para un mejor secado, se recomienda dejar la vajilla dentro del lavavajillas con la puerta abierta durante 15 minutos más una vez finalizado el ciclo.
Los platos y vasos tienen vetas azules o tintes azulados.	La vajilla está demasiado plana.	Si observa charcos de agua en el interior de las cavidades de las tazas, tazones o cuencos, intente cargar la vajilla (especialmente en el estante superior) proporcionando más inclinación para que gotee una mayor cantidad de agua antes de que comience el secado.
	El ciclo seleccionado no tiene la fase de secado.	Compruebe en la <i>TABLA DE PROGRAMAS</i> si el programa seleccionado cuenta con fase de secado. El ciclo sin la fase de secado puede no ofrecer la eficiencia de secado deseada, por lo que se recomienda cambiar la selección del ciclo por el que tiene la fase de secado.
	La vajilla es de material antiadherente o de plástico.	Es normal que queden algunas gotas de agua en este tipo de material.
Los platos y vasos están cubiertos de cal o de una película blanquecina.	La dosis de abrillantador es excesiva.	Ajuste la dosificación a una posición más baja.
El lavavajillas muestra F8 E5	El depósito de sal está vacío.	Rellene el depósito con sal lo antes posible. El uso del aparato sin sal puede provocar daños en sus componentes internos.
	El ajuste de la dureza del agua es demasiado bajo.	Incrementé el ajuste (<i>consulte TABLA DE DUREZA DEL AGUA</i>).
	El tapón del depósito de sal no está bien cerrado.	Compruebe y cierre el tapón del depósito de sal.
El lavavajillas muestra F8 E5	El depósito de abrillantador está vacío o la dosis de abrillantador es insuficiente.	Llene el dosificador con abrillantador y compruebe el ajuste de la dosis (para obtener más información, <i>consulte LLENADO DEL DISPENSADOR DEL ABRILLANTADOR</i>).
	La válvula está bloqueada o defectuosa.	Cierre la válvula de agua, si es posible. No desconecte la alimentación. Llame al servicio técnico.



Puede consultar los reglamentos, la documentación estándar, así como pedir piezas de repuesto, mediante alguna de las siguientes formas:

- Usando el código QR y visitando nuestra página web docs.whirlpool.eu
- Visitando nuestra página web parts-selfservice.whirlpool.com
- También puede, **ponerse en contacto con nuestro Servicio Postventa** (Consulte el número de teléfono en el folleto de la garantía). Cuando se ponga en contacto con nuestro Servicio Postventa, deberá indicar los códigos que figuran en la placa de características de su producto.

La información del modelo puede consultarse a través del código QR de la etiqueta energética. La etiqueta también contiene el identificador del modelo que puede usarse para consultar el portal del registro en <https://eprel.ec.europa.eu>





MERCI D'AVOIR CHOISI UN PRODUIT WHIRLPOOL.
Afin de recevoir une assistance plus complète, merci d'enregistrer votre appareil sur : www.whirlpool.eu/register

Avant d'utiliser l'appareil, il convient de lire attentivement les consignes de sécurité et d'installation. Pour en savoir plus concernant votre produit, consulter le site Internet : docs.whirlpool.eu



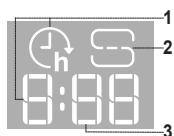
Après l'installation, rappelez-vous d'enlever toutes les pièces de protection pour le transport du lave-vaisselle.

PANNEAU DE COMMANDE



1. Touche et voyant **MARCHE-ARRÊT/Réinitialisation**
2. Touche et voyant de **programme Éco**
3. Touche et voyant de **programme Intensif Auto**
4. Touche et voyant de **programme Mixte Auto**
5. Touche et voyant de **programme Rapide Auto**
6. Touche et voyant de **programme Rapide**
7. Touche et voyant de **programme Cristal / Programme Autonettoyant** - pression de 3 secondes
8. Touche et voyant de **programme Prélavage**
9. Témoin de réservoir **de sel** vide
10. Témoin de réservoir **de liquide** de rinçage vide
11. **Écran**
12. Indicateur **de numéro de programme** et de temps restant
13. Voyant **Robinet d'eau fermé**
14. Témoin **DÉTARTRAGE**
15. Touche et voyant de **l'option Power Clean®**
16. Touche et voyant de **d'option Demi-charge**
17. Touche et voyant de **d'option Extra Sec/Réglages** - pression de 3 secondes
18. Touche et voyant de **d'option Silencieux**
19. Touche et voyant de **d'option Rinçage Antibactérien**
20. Touche et voyant de **d'option Turbo**
21. Touche et voyant de **d'option Départ Différé**
22. Touche et voyant **DÉPART/Pause**

AFFICHAGE AU SOL



1. **Départ différé** - lorsque l'option Départ différé est activée, un compte à rebours est visible au sol jusqu'au démarrage du cycle
2. **Réservoir de sel vide** - témoin au sol
3. **Temps restant au sol** - indicateur du temps restant jusqu'à la fin du cycle

PREMIÈRE UTILISATION

MENU DE RÉGLAGE

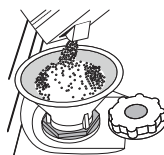
1. Allumer l'appareil en appuyant sur la touche **MARCHE-ARRÊT**
2. Maintenir la touche **Réglages** (Extra Sec) pendant 3 secondes jusqu'à ce que vous entendiez un bip et que l'écran affiche « **SET** ».
3. Après une seconde, le premier réglage disponible (lettre « **h** ») s'affichera.
4. Appuyer sur la **programme Prélavage** / **option Power Clean®** pour faire défiler la liste des réglages disponibles (voir tableau ci-dessous), puis appuyer sur **DÉPART/Pause** pour visualiser la valeur du réglage actuellement sélectionné.
5. Appuyer sur la **programme Prélavage** / **option Power Clean®** pour modifier la valeur, puis appuyer sur **DÉPART/Pause** pour enregistrer la nouvelle valeur.
6. Pour changer un autre réglage, répéter les points 2 à 5.
7. Appuyer sur **MARCHE-ARRÊT** , ou attendre 30 secondes pour quitter le menu.

LETTRE	RÉGLAGE	VALEURS (Par défaut - en gras)
	Niveau de dureté de l'eau (voir « RÉGLER LA DURETÉ DE L'EAU » et « TABLEAU DE DURETÉ DE L'EAU »)	1 2 3 4 5
	Niveau de liquide de rinçage (voir « AJUSTER LE DOSAGE DU LIQUIDE DE RINÇAGE »)	0 1 2 3 4 5
	NaturalDry (voir « OPTIONS ET FONCTIONS ») "1" = Oui, "0" = Non	1 0
	Temps restant au sol (voir « OPTIONS ET FONCTIONS ») "1" = Oui, "0" = Non	1 0
	Sonnerie "1" = Oui, "0" = Non	1 0
	Éclairage intérieur (voir « OPTIONS ET FONCTIONS ») "1" = Oui, "0" = Non	1 0
	Réglages d'usine Appuyer sur DÉPART/Pause pour rétablir aux réglages par défaut d'usine toutes les valeurs des réglages incluses dans le menu Réglages.	-

REEMPLIR LE RÉSERVOIR DE SEL RÉGÉNÉRANT

L'utilisation de sel régénérant empêche la formation de CALCAIRE sur la vaisselle et sur les composantes fonctionnelles de l'appareil. Le réservoir de sel est situé dans la partie inférieure du lave-vaisselle (sous le panier inférieur sur le côté gauche).

- Le réservoir de sel **ne doit jamais être vide**.
- Il est important de régler la dureté de l'eau.
- Il convient de faire l'appoint de sel lorsque le voyant **REPLISSAGE SEL** est allumé sur le panneau de commande.



1. Enlevez le panier inférieur et dévissez le bouchon du réservoir (sens antihoraire).
2. Placez l'entonnoir (voir figure) et remplissez le réservoir de sel jusqu'au bord (environ 0,5 kg); il est normal qu'un peu d'eau déborde.
3. **La première fois uniquement, vous devez effectuer l'opération suivante: remplissez d'eau le réservoir à sel.**

4. Enlevez l'entonnoir et essuyez les résidus de sel autour de l'ouverture. Assurez-vous que le bouchon est bien serré pour éviter que du détergent pénètre dans le réservoir durant le cycle de lavage (le réservoir pourrait s'endommager au point de ne plus être réparable).

Exécuter un programme dès que vous complétez le remplissage du réservoir de sel afin d'éviter la corrosion.

Régler la dureté de l'eau

Pour que l'adoucisseur d'eau fonctionne à la perfection, il est important de régler la dureté de l'eau aux conditions existantes dans votre lieu de résidence. Cette information peut être obtenue de votre fournisseur d'eau local. L'usine règle la valeur par défaut de la dureté de l'eau. Le réglage d'usine est de « **3** ». Voir « **TABLEAU DE DURETÉ DE L'EAU** ».

Tableau de dureté de l'eau			
Niveau	°dH Degrés allemand	°fH Degrés français	°Clark Degrés anglais
1 (Très douce)	0 - 6	0 - 10	0 - 7
2 (Moyenne)	7 - 11	11 - 20	8 - 14
3 (Douce)	12 - 16	21 - 29	15 - 20
4 (Dure)	17 - 34	30 - 60	21 - 42
5 (Très dure)	35 - 50	61 - 90	43 - 62

Pour changer, suivez les instructions de la section « MENU DE RÉGLAGE ».

Utilisez seulement le sel spécialement conçu pour les lave-vaisselle.

Lorsque le sel est versé dans l'appareil, le voyant AJOUTER DU SEL s'éteint.


Si le contenant de sel n'est pas rempli, l'adoucisseur et l'élément chauffant peuvent être endommagés à cause de l'accumulation de calcaire. L'utilisation de sel est recommandée avec n'importe quel type de sel pour lave-vaisselle.

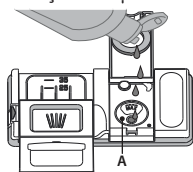
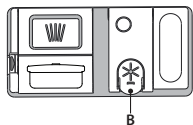
SYSTÈME ADOUCISSEUR D'EAU

L'adoucisseur d'eau réduit automatiquement la dureté de l'eau, en empêchant ainsi la formation de calcaire sur la résistance, et en contribuant également à une meilleure performance de nettoyage. **Ce système se régénère avec du sel, il est donc nécessaire de remplir le bac de sel lorsqu'il est vide.** La fréquence de régénération dépend du réglage du niveau de dureté de l'eau - la régénération a lieu une fois tous les **4-6** cycles Eco avec un niveau de dureté de l'eau réglé à **3**. Pendant des cycles avec régénération, un remplissage du système de gestion de l'eau supplémentaire se produira. Le processus de régénération et de gestion de l'eau se produit au début du cycle avec de l'eau douce supplémentaire.

- Une régénération simple consomme : ~6,5 L d'eau ;
- Prend jusqu'à 5 minutes supplémentaires pour le cycle ;
- Consomme moins de 0,005 kWh d'énergie.

REPLIR LE DISTRIBUTEUR DE LIQUIDE DE RINÇAGE

Le liquide de rinçage permet à la vaisselle de SÉCHER plus facilement. Le distributeur de liquide de rinçage **A** devrait être rempli lorsque le voyant de NIVEAU DE LIQUIDE DE RINÇAGE  est allumé à l'écran.



1. Ouvrez le distributeur **B** en appuyant et en tirant sur l'onglet sur le couvercle.
2. Versez doucement du liquide de rinçage jusqu'à la marque de référence (110 ml) du réservoir de remplissage - évitez les débordements.

Si cela se produit, nettoyez les dégâts immédiatement avec un linge sec. 3. Appuyez sur le bouton pour le fermer; un clic se fait entendre.

Ne JAMAIS verser le liquide de rinçage directement dans la cuve.

Ajuster le dosage du liquide de rinçage

Si vous n'êtes pas complètement satisfait avec le séchage, vous pouvez ajuster la quantité de liquide de rinçage utilisée.

Pour changer, suivre les instructions dans la section « MENU DE RÉGLAGE ». Si le niveau de liquide de rinçage est à ZÉRO, il n'y aura pas de liquide de rinçage distribué. Dans ce cas, **le voyant LIQUIDE DE RINÇAGE BAS** ne s'allumera pas s'il ne reste plus de liquide de rinçage.

Un maximum de **6** niveaux peuvent être réglés selon le modèle du lave-vaisselle.

- Si vous observez des traces bleuâtres sur la vaisselle, placez sur un niveau plus bas (1-2).
- Si vous observez des gouttelettes d'eau ou des traces de calcaire sur la vaisselle, placez sur un niveau plus haut (4-5).

UTILISATION QUOTIDIENNE**1. VÉRIFIER LE BRANCHEMENT DE L'EAU**

Assurez-vous que l'appareil est raccordé à un réseau d'alimentation et que le robinet de l'eau est ouvert.

2. ALLUMER LE LAVE-VAISSSELLE

Ouvrez la porte et appuyez sur la touche **MARCHE-ARRÊT**.

3. CHARGER LES PANIERS (voir CHARGEMENT DES PANIERS).**4. REPLIR LE DISTRIBUTEUR DE DÉTERGENT****5. CHOISIR LE PROGRAMME ET PERSONNALISER LE CYCLE**

Sélectionnez le meilleur programme selon le type de vaisselle et le niveau de saleté (voir *DESCRIPTION DES PROGRAMMES*) en appuyant sur la touche **PROGRAMME** sélectionnée. Sélectionnez les options désirées (voir *OPTIONS ET FONCTIONS*). Toutes les options ne sont pas compatibles avec tous les programmes."

6. DÉMARRER

Démarrez le cycle de lavage en appuyant sur la touche **DÉPART/Pause** (le voyant est allumé) et en fermant la porte dans les 4 secondes. Quand le programme démarre, vous entendez un bip simple. Si la porte n'a pas été fermée dans les 4 secondes, le signal d'alarme est activé. Dans ce cas, ouvrez la porte, appuyez sur la touche **DÉPART/Pause** et fermez de nouveau la porte dans les 4 sec.

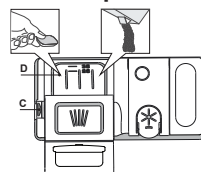
7. FIN DU CYCLE DE LAVAGE

La fin du programme de lavage est indiquée par un son et l'écran affiche **END (FIN)**. Ouvrez la porte et éteignez l'appareil en appuyant sur la touche **MARCHE-ARRÊT**.

Pour éviter de vous brûler, attendez quelques minutes avant de retirer la vaisselle. Déchargez les paniers en commençant par le panier inférieur.

REPLIR LE DISTRIBUTEUR DE DÉTERGENT

Pour ouvrir le distributeur de détergent, utilisez le dispositif d'ouverture C. Insérez le détergent dans le distributeur sec D seulement. Placez la quantité de détergent pour le pré-lavage directement dans la cuve.



1. Lorsque vous dosez le détergent, consultez les informations mentionnées précédemment pour ajuster la quantité correcte. À l'intérieur du distributeur **D** se trouvent des indications pour aider au dosage de la lessive.
2. Enlevez les résidus de détergent sur le bord des récipients avant de fermer le couvercle; un clic se fait entendre.

3. Fermez le couvercle du distributeur de détergent en le tirant vers le haut jusqu'à ce que le dispositif soit fermement en place.

Le distributeur de détergent s'ouvre automatiquement, au moment déterminé par le programme.

L'utilisation d'un détergent non-conçu pour les lave-vaisselle peut provoquer un dysfonctionnement ou des dommages à l'appareil.

MODIFICATION D'UN PROGRAMME EN COURS

Si vous avez sélectionné le mauvais programme, vous pouvez le changer, à condition que ce soit fait au tout début du cycle. Pour cela, effectuez une **RÉINITIALISATION** de la machine: appuyez sur la touche **MARCHE-ARRÊT** et maintenez-la appuyée pendant plus de 3 secondes, et la machine s'éteindra. **Le tableau de commande affichera « 0:01 »**. Fermez la porte et attendez la fin du cycle de vidange (environ 1 minute). Ouvrez la porte et rallumez la machine en utilisant le bouton **MARCHE-ARRÊT** et sélectionnez le nouveau programme de lavage et les éventuelles options souhaitées. Démarrer le cycle en appuyant sur la touche **DÉPART/Pause** et en fermant la porte dans les 4 secondes.

AJOUT DE VAISSELLE SUPPLÉMENTAIRE

Sans couper la machine, ouvrez la porte tout d'abord légèrement pour éviter que l'eau n'éclabousse (Le voyant **DÉPART/Pause** commence à clignoter) **Attention : vapeur chaude**. Placer la vaisselle dans le lave-vaisselle. Appuyez sur la touche **DÉPART/Pause** et fermez la porte dans les 4 sec, le cycle reprendra à l'endroit où il a été interrompu.

INTERRUPTIONS ACCIDENTELLES

Si la porte est ouverte durant le cycle de lavage, ou s'il y a une panne de courant, le cycle s'interrompt. Fermez la porte et le cycle reprendra au moment où il a été interrompu **UNIQUEMENT SI VOUS APPUYEZ** sur la touche **DÉPART/Pause** et fermez la porte dans les 4 secondes.

SYSTÈME DE GESTION DE L'EAU

Ce lave-vaisselle permet le stockage d'un maximum de 3,2 litres d'eau douce en l'utilisant dans les programmes sélectionnés. L'eau est stockée dans un réservoir dédié et sera utilisée dans les programmes sélectionnés par la suite. Il est recommandé de lancer le cycle Autonettoyant (voir *TAB-LEAU DES PROGRAMMES*) régulièrement.

AVIS ET CONSEILS**CONSEILS**

Avant de charger les paniers, enlevez tous les résidus de nourriture sur la vaisselle et videz les verres. **Vous n'avez pas besoin de rincer la vaisselle avant de la placer dans le lave-vaisselle.**

Placez la vaisselle pour qu'elle tienne bien en place et ne risque pas de tomber; et placez les récipients avec les ouvertures vers le bas et les parties concaves/convexes de côté pour permettre à l'eau d'atteindre toutes les surfaces et couler librement.

Avertissement : Vérifiez que les couvercles, poignées et poêle à frire n'empêchent pas les bras d'aspersion de tourner librement. Placez les petits articles dans le panier à couvert. La vaisselle et les casseroles très sales devraient être placées sur le panier inférieur car les jets d'eau sont plus forts dans cette section et permet un meilleur rendement lors du lavage. Après avoir chargé l'appareil, assurez-vous que les bras d'aspersion peuvent bouger librement.

VAISSELLE QUI NE CONVIENT PAS

- Vaisselle et couverts en bois.
 - Verres décoratifs délicats, produits artisanaux, et vaisselle antique. Les garnitures ne sont pas résistantes.
 - Les pièces en matériel synthétique qui ne supportent pas les hautes températures.
 - La vaisselle en cuivre ou en étain.
 - La vaisselle tachée de cendre, de cire, de graisse lubrifiante, ou d'encre.
- Les couleurs des garnitures de verre et des pièces d'aluminium/argent peuvent changer et ternir durant le cycle de lavage. Certains types de verre (p. ex. les objets en cristal) peuvent aussi devenir opaque après plusieurs cycles de lavage.

VERRES ET VAISSELLE ENDOMMAGÉS

- Seulement utiliser des verres ou de la porcelaine qui sont lavables au lave-vaisselle conformément aux recommandations du fabricant.
- Utilisez un détergent doux, adéquat pour la vaisselle.
- Retirez les verres et les couverts du lave-vaisselle aussitôt que le cycle de lavage est terminé.

HYGIÈNE

Pour éviter les odeurs et les dépôts qui pourraient s'accumuler dans le lave-vaisselle, **lancer le programme Autonettoyant** (sans vaisselle à l'intérieur) **au moins une fois par mois** (voir **OPTIONS ET FONCTIONS**).

DÉPLACEMENT OU ENTRETIEN DU LAVE-VAISSELLE

Ce lave-vaisselle comprend un réservoir d'eau qui peut rester plein d'eau après la fin du cycle (l'eau peut fuir si / quand le lave-vaisselle est incliné).

Remarque : Avant d'entretenir ou de déplacer le lave-vaisselle, lancer le cycle Autonettoyant pour vidanger le réservoir d'eau.

RÉSISTANCE AU GEL

Si l'appareil est installé dans une pièce exposée au risque de gel, **vidangez-le complètement**. Fermez la valve d'eau, retirez les tuyaux d'arrivée et de vidange, puis laissez l'eau s'écouler. **Assurez-vous que l'adoucisseur d'eau est plein de sel régénérant dissous dans le réservoir de sel**, pour protéger l'appareil des températures pouvant aller jusqu'à -20°C. Si l'appareil a été conservé dans des conditions de gel, il doit rester à une température ambiante de 5°C minimum pendant **au moins 24 heures** avant la première utilisation.

ASTUCES SUR L'ÉCONOMIE D'ÉNERGIE

- Lorsque le lave-vaisselle domestique est utilisé conformément aux instructions du fabricant, **le lavage de la vaisselle dans un lave-vaisselle consomme habituellement MOINS D'ÉNERGIE et d'eau que le lavage à la main**.
- Afin d'optimiser l'efficacité du lave-vaisselle, il est recommandé de **débuter le cycle de lavage une fois que le lave-vaisselle est totalement chargé**. Le chargement du lave-vaisselle domestique jusqu'à la capacité indiquée par le fabricant contribuera à économiser de l'énergie et de l'eau. Vous trouverez des informations sur le chargement correct de la vaisselle dans le chapitre CHARGEMENT DES PANIERS. En cas de chargement partiel, il est recommandé d'utiliser des options de lavage spécifiques si elles sont disponibles (Demi-charge / Zone Wash/ Multizone), en remplissant uniquement les paniers sélectionnés. Un chargement incorrect ou une surcharge du lave-vaisselle peut augmenter l'utilisation des ressources (telles que l'eau, l'énergie et le temps, et augmenter le niveau de bruit), en réduisant les performances de nettoyage et de séchage.
- Un prérinçage manuel des éléments de vaisselle provoque une augmentation de la consommation d'eau et d'énergie et n'est pas recommandé.

TABLEAU DES PROGRAMMES

Programme	Description des programmes	Séchage	NaturalDry	Options disponibles *)	Durée du programme de lavage (h:min)**)	Consommation d'eau (l/cycle)	Consommation d'énergie (kWh/cycle)
Eco	Éco 50° - Le programme Eco est adapté pour nettoyer la vaisselle normalement sale. Pour cette utilisation, c'est le programme qui a une consommation d'eau et d'énergie la plus optimale. Il est utilisé pour évaluer la conformité à la législation européenne en matière d'éco-conception.	✓	✓		4:30	9,5	0,55
	Intensif Auto 65° - Programme automatique pour la vaisselle et les casseroles très sales.	✓	✓		2:25 - 3:10	15,5 - 24,5	1,30 - 1,70
	Mixte Auto 55° - Programme automatique pour de la vaisselle normalement sale avec des résidus d'aliments séchés.	✓	✓		1:20 - 3:00	7,5 - 19,5	0,75 - 1,20
	Rapide Auto 50° - Programme automatique pour de la vaisselle normalement et légèrement sale. Le cycle quotidien qui assure un nettoyage optimal et des performances de séchage en moins de temps.	✓	✓		1:00 - 1:50	7,5 - 15,5	0,70 - 1,10
	Rapide 45° - Ce programme est recommandé pour une quantité limitée de vaisselle légèrement sale sans résidus d'aliments séchés. N'inclut pas de phase de séchage.	-	✓		0:30 - 0:40	10,0 - 12,0	0,55 - 0,65
	Cristal 45° - Programme pour la vaisselle délicate, plus sensible aux températures élevées, comme les verres et les tasses.	✓	✓		1:40 - 1:50	12,5 - 16,5	0,95 - 1,20
	Prélavage - Utilisez ce programme pour rafraîchir la vaisselle qui sera lavée plus tard. N'utilisez pas de détergent avec ce programme.	-	✓		0:12	4,5	0,10
	Autonettoyant 65° - Programme à utiliser pour réaliser l'entretien du lave-vaisselle et du système de gestion de l'eau, à effectuer uniquement lorsque le lave-vaisselle est VIDE en utilisant des détergents spécifiques conçus pour l'entretien du lave-vaisselle.	-	-		1:40	11,0	1,10

Les données du programme Éco sont mesurées sous des conditions en laboratoire conformément à la norme européenne EN 60436:2020.

Note pour les laboratoires d'essai : pour toutes informations sur les conditions d'essai comparatif EN, s'adresser à : dw_test_support@whirlpool.com.

Aucun prétraitement de la vaisselle n'est nécessaire avant l'un quelconque des programmes.

*) Les options ne peuvent pas toutes être utilisées en même temps.

**) Les valeurs indiquées pour des programmes différents du programme Éco sont fournis à titre indicatif uniquement. Le temps réel peut varier selon des facteurs comme la température et la pression de l'eau, la température de la pièce, la quantité de détergent, la quantité et le type de vaisselle, l'équilibre de la charge, les options supplémentaires sélectionnées, et la calibration du capteur. La calibration du capteur peut augmenter la durée du programme jusqu'à 20 minutes.

OPTIONS ET FONCTIONS

Les **OPTIONS** peuvent être sélectionnées/désélectionnées, après avoir choisi le programme, directement en appuyant sur la touche correspondante (si disponibles - les témoins s'allument) (voir le PANNEAU DE COMMANDE). Si une option n'est pas compatible avec le programme sélectionné (voir TABLEAU DES PROGRAMMES), le voyant correspondant clignote 3 fois et un bip se fait entendre. La fonction n'est pas activée. Une option peut changer le temps ou la consommation d'eau ou d'énergie du programme.

POWER CLEAN - Grâce aux jets haute pression supplémentaires, cette option fournit un lavage plus intensif et puissant dans le panier inférieur, dans la zone spécifique. Elle est recommandée pour le lavage des poêles et des casseroles (Voir la section de chargement Power Clean®).

DEMI-CHARGE - S'il n'y a pas trop de vaisselle à laver, une option DEMI-CHARGE est utilisée pour économiser de l'eau, de l'électricité et du temps en fonction du programme choisi.

Rappelez-vous de diminuer de moitié la quantité de détergent.

EXTRA SEC - Une température supérieure pendant le rinçage final et une phase de séchage prolongée permettent un séchage amélioré.

SILENCIEUX - Adéquat lorsque l'appareil fonctionne la nuit. Cette option peut être utilisée pour limiter les émissions de bruit pendant les phases de lavage. Elle augmentera la durée du cycle en fonction de la sélection du cycle de base.

RINÇAGE ANTIBACTÉRIEN - Cette option peut être utilisée pour assainir la vaisselle lavée. Cela augmentera la température de rinçage finale et ajoutera un lavage anti-bactérien au programme sélectionné. Idéal pour laver la vaisselle et les biberons. La porte du lave-vaisselle doit être fermée tout au long du cycle pour garantir que la quantité de germes est bien diminuée.

AVERTISSEMENT : la vaisselle et les plats peuvent être très chaud à la fin du cycle.

TURBO - Grâce à l'option TURBO, vous pouvez réduire le temps du cycle de lavage jusqu'à 40% en fonction du programme de base sélectionné. La consommation d'énergie et d'eau est augmentée.

DÉPART DIFFÉRÉ - Le début du programme peut être différé entre 30 minutes et 24 heures.

1. Sélectionnez le programme et les options souhaités. Appuyez sur la touche DÉPART DIFFÉRÉ (plusieurs fois) pour retarder le début du programme. Réglable de 0:30 à 24 heures. Une fois que le réglage de 24 heures est atteint, appuyez encore une fois sur DÉPART DIFFÉRÉ pour désactiver la fonction DÉPART DIFFÉRÉ.

2. Appuyez sur le touche DÉPART/Pause et fermez la porte dans un délai de 4 sec.: la minuterie commence le compte à rebours.

3. Une fois le temps écoulé, le voyant s'éteint et le programme démarre automatiquement.

La fonction DÉPART DIFFÉRÉ ne peut pas être modifiée lorsque le programme est en cours.

ROBINET D'EAU FERMÉ - Alarme

Clignote lorsqu'il n'y a pas d'arrivée d'eau ou que le robinet d'eau est fermé.

TEMPS RESTANT AU SOL - Un témoin à LED projeté sur le sol indique le temps restant jusqu'à la fin du cycle. Le voyant s'éteint chaque fois que la porte est ouverte. Le voyant s'éteint à la fin d'un cycle. Cette fonction est active par défaut, mais il est possible de la désactiver dans le « MENU DE RÉGLAGE ».

NaturalDry - C'est un système de séchage à convection qui ouvre automatiquement la porte pendant/après la phase de séchage pour assurer une performance de séchage exceptionnelle chaque jour. La porte s'ouvre à la température qui est sûre pour les meubles de votre cuisine, donc la porte ne sera pas ouverte quand l'option RINÇAGE ANTIBACTÉRIEN sera activée. A titre de protection supplémentaire contre la vapeur, un adhésif anti-vapeur spécifiquement conçu est livré avec le lave-vaisselle. Pour voir comment poser cet adhésif, consulter le GUIDE D'INSTALLATION.

Cette fonction est active par défaut, mais il est possible de la désactiver dans le « MENU DE RÉGLAGE ».

ÉCLAIRAGES INTÉRIEURS - Lorsque la fonction est active, les LED dans le bac sont automatiquement allumées/éteintes dès que l'utilisateur ouvre/ferme la porte, respectivement. Si la porte reste ouverte pendant plus de 10 minutes, les LED dans le bac s'éteignent pour se rallumer dès que la porte est de nouveau fermée et ouverte).

Cette fonction est active par défaut, mais il est possible de la désactiver dans le « MENU DE RÉGLAGE ».

DÉTARTRAGE - Alarme - Une accumulation de tartre a été détectée sur des composants internes de l'appareil. Vérifier si le **Réglage de Dureté** de l'eau est à la valeur correcte et si **du sel est présent dans le réservoir de sel** (voir PREMIÈRE UTILISATION), puis **utiliser un produit détartrant** (la marque WPro est recommandée) avec le **programme Autonettoyant**. Après un détartrage réussi, l'icône s'éteindra.

Si les actions ci-dessus ne sont pas réalisées, les performances du produit se détérioreront. Un avertissement de « Détartrage » commencera à clignoter et une alarme « **dES** » apparaîtra sur l'écran. Si aucune action n'est entreprise, l'appareil pourra encore effectuer quelques cycles de lavage (nombre indiqué pendant l'affichage de l'alarme « **dES** ») puis il sera **BLOQUÉ** pour éviter les dommages aux composants, avec seulement le **programme Autonettoyant disponible**. La réalisation d'un détartrage complet déblocuera le produit. En cas de quantités très importantes de tartre, il est possible de devoir lancer deux fois successivement le programme Autonettoyant pour que le détartrage soit efficace.

DÉTECTION - Lorsque le capteur détecte le niveau de saleté, une animation apparaît sur l'écran (environ 20 min.) et la durée du cycle est mise à jour. La DÉTECTION est destinée au niveau de salissure de la vaisselle et elle est présente pour tous les cycles de lavage (excepté Eco) en ajustant le programme en conséquence.

CHARGEMENT DES PANIERS

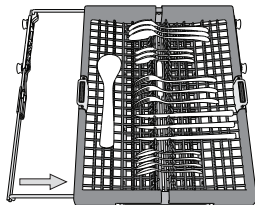
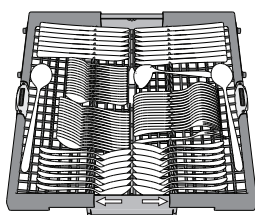
CAPACITÉ : 15 couverts standards

COMPARTIMENT À COUVERT

Le troisième panier a été conçu pour contenir les couverts. Placez les couverts comme illustré sur le dessin ci-contre. Séparer les couverts facilite le rangement après le cycle de lavage et améliore les programmes de lavage et de séchage.

Les couteaux et autres ustensiles avec des bords tranchants doivent être placés dans le panier à couvert avec la pointe vers le bas.

Le panier à couvert comprend deux paniers coulissants sur les côtés pour optimiser l'utilisation de l'espace disponible et permettre le chargement de grands articles dans le panier supérieur

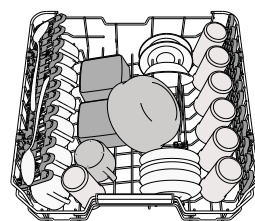


PANIER SUPÉRIEUR

Chargez la vaisselle délicate et légère: verres, tasses, soucoupes, saladiers bas.

Le panier supérieur comprend des supports rabattables qui peuvent être utilisés dans une position verticale lorsque vous placez les assiettes à thé ou à dessert, ou abaissées pour charger les bols et autres récipients.

(exemple de chargement du panier supérieur)



Ajuster la hauteur du panier supérieur

Vous pouvez ajuster la hauteur du panier supérieur : position élevée pour placer la vaisselle encombrante sur le panier inférieur et éviter les chocs avec le panier supérieur ; en créant plus d'espace en hauteur.

Le panier supérieur comprend un **dispositif de réglage de la hauteur** (voir figure). Sans appuyer sur les leviers, soulevez simplement le panier supérieur en tenant par les côtés jusqu'à ce qu'il soit stable en position élevée. Pour abaisser le panier, appuyez sur les leviers **A** sur les côtés du panier et déplacez-le vers le bas.

Nous vous conseillons fortement de ne pas ajuster la hauteur du panier lorsqu'il est chargé.

Ne JAMAIS soulever ou abaisser un seul côté du panier.

Volets pliables avec positions ajustables

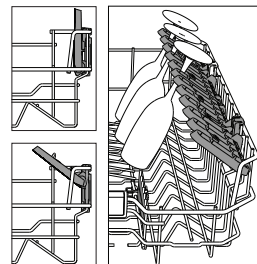
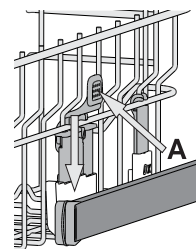
Les volets pliables latéraux peuvent être pliés ou dépliés afin d'optimiser la disposition de la vaisselle à l'intérieur du panier.

Les verres de vin peuvent être placés de façon sécuritaire dans les volets pliables en insérant le pied de chaque verre dans la fente correspondante.

Selon le modèle :

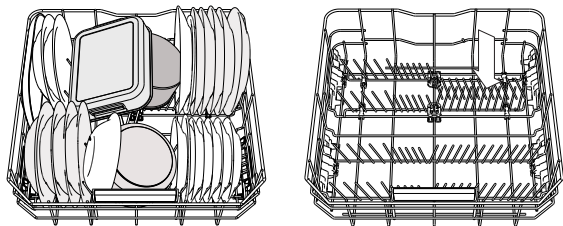
- pour déplier les volets, il est nécessaire de les coulisser vers le haut et de les tourner ou de les libérer des fixations et de les tirer vers le bas.

- pour replier les volets, il est nécessaire de les tourner et de les faire coulisser vers le bas ou de les tirer vers le haut et de les accrocher aux fixations.



PANIER INFÉRIEUR

Pour les poêles, les couvercles, les plats, les saladiers, les couverts, etc. Les grands plats et les grands couvercles devraient être placés sur le côté pour éviter qu'ils n'entravent le fonctionnement des bras d'aspersion. Le panier inférieur comprend des supports rabattables qui peuvent être placés en position verticale pour charger des assiettes, ou en position horizontale (bas) pour faciliter le chargement des casseroles et des saladiers.



(exemple de chargement du panier inférieur)

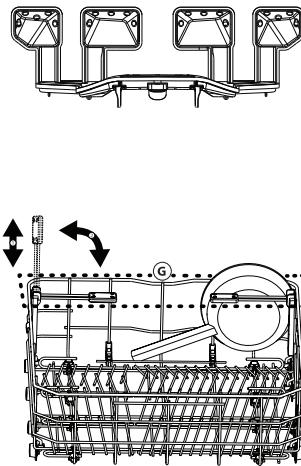
POWER CLEAN®

Power Clean® utilise des jets d'eau spéciaux, situés à l'arrière de la cavité, pour laver les articles très sales avec une intensité plus élevée. Le panier inférieur comprend une zone d'espace, un support spécial qui se trouve à l'arrière du panier, qui peut être utilisé pour supporter les poêles à frire et les moules dans une position verticale, prenant ainsi moins de place.

Placer les poêles et les casseroles face aux jets Power Clean situés à l'arrière de la cuve et activez **POWERCLEAN** sur le bandeau.

Comment utiliser Power Clean®.

1. Réglez la zone Power Clean® (G) en rabattant les supports pour assiettes arrières pour charger des casseroles.
2. Chargez les grands plats et les casseroles en les inclinant à la verticale dans la zone Power Clean®. Les casseroles doivent être inclinées dans la direction des jets d'eau haute pression.



NETTOYAGE ET ENTRETIEN

NETTOYER L'ENSEMBLE FILTRE

Nettoyez régulièrement l'ensemble filtre pour éviter qu'il ne se bouche et pour permettre aux eaux usées de bien s'éliminer.

L'utilisation du lave-vaisselle avec des filtres obstrués ou des corps étrangers à l'intérieur du système de filtration ou des bras de lavage peut provoquer un dysfonctionnement du lave-vaisselle en réduisant l'efficacité de lavage, en augmentant le bruit de fonctionnement et la consommation d'électricité.

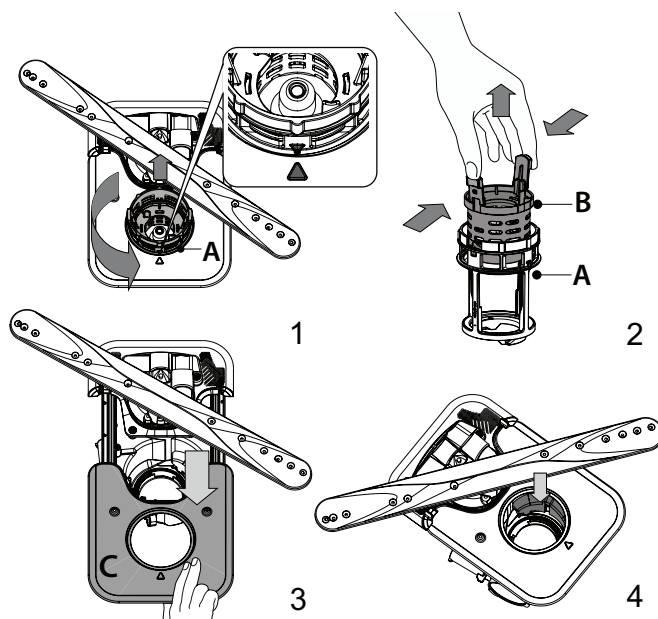
L'ensemble filtre comprend trois filtres qui séparent les résidus de nourriture de l'eau de lavage pour ensuite faire circuler l'eau.

N'utilisez pas le lave-vaisselle sans les filtres ou si un filtre est mal ajusté.

Au moins une fois par mois ou tous les 30 cycles, vérifiez l'assemblage du filtre et si nécessaire, nettoyez-le minutieusement sous l'eau courante, en utilisant une brosse non-métallique et en suivant les instructions ci-dessous:

1. Tournez le filtre cylindrique **A** dans le sens antihoraire et retirez-le (Fig. 1). **Il est important lors de la réinstallation du filtre que les deux triangles indiqués sur le zoom (Fig. 1) correspondent.**
2. Enlevez le panier du filtre **B** en appliquant une légère pression sur les volets latéraux (Fig. 2).
3. Retirez la plaque du filtre en acier inoxydable **C** (Fig. 3).
4. Si vous trouvez des objets étrangers (comme du verre brisé, de la porcelaine, des os, des pépins de fruits, etc), enlevez-les minutieusement.
5. Inspecter la cavité et enlever les résidus de nourriture. **NE JAMAIS ENLEVER** la protection de la pompe du cycle de lavage (indiqué par la flèche) (Fig 4).

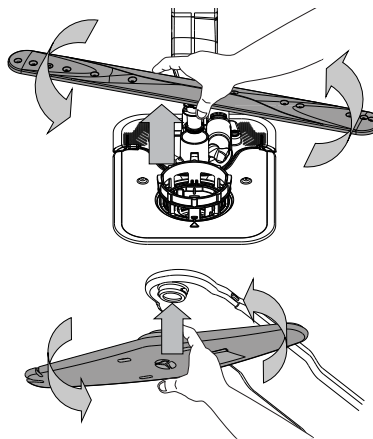
Après avoir nettoyé les filtres, assemblez de nouveau l'ensemble filtre et remettez-le en place correctement; c'est très important pour que le lave-vaisselle garde son efficacité.



NETTOYER LES BRAS D'ASPERSION

À l'occasion, des résidus de nourriture s'incrusteront dans les bras d'aspersion et bloquent les trous utilisés pour asperger de l'eau. Il est donc conseillé de vérifier les bras de temps en temps et de les nettoyer avec une petite brosse non métallique.

Pour démonter le bras d'aspersion intermédiaire, il faut déclipser l'ensemble collecteur d'eau situé sous le panier supérieur.



Le bras d'aspersion inférieur se démonte en le tirant vers le haut, tout en le tournant dans le sens inverse des aiguilles d'une montre. Pour remonter le bras d'aspersion inférieur, il faut le pousser vers le bas tout en le tournant dans le sens des aiguilles d'une montre.

Le bras d'aspersion supérieur se démonte en le tirant vers le bas, tout en le tournant dans le sens inverse des aiguilles d'une montre. Pour remonter le bras d'aspersion supérieur, il faut le pousser vers le haut tout en le tournant dans le sens des aiguilles d'une montre.

DÉPANNAGE

Si votre lave-vaisselle ne fonctionne pas correctement, vérifiez si le problème peut être résolu en suivant la liste ci-après. Pour d'autres erreurs ou problèmes, contactez le Service après-vente agréé dont les coordonnées peuvent être trouvées dans le livret de garantie. Les pièces de rechange seront disponibles pour une période allant jusqu'à 7 ou jusqu'à 10 ans, selon les exigences spécifiques du règlement.

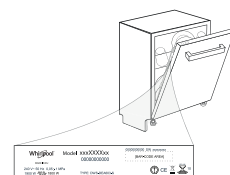
PROBLÈMES	CAUSES POSSIBLES	SOLUTIONS
L'indicateur de sel est allumé	Le réservoir de sel est vide.	Remplissez le réservoir de sel régénérant (voir <i>REmplir LE RÉSERVOIR DE SEL</i>). Réglez la dureté de l'eau (voir <i>TABLEAU DE DURETÉ DE L'EAU</i>).
Le voyant de niveau de sel clignote	Le réservoir de sel est vide.	Remplissez le réservoir avec du sel dès que possible. L'utilisation de l'appareil sans sel peut provoquer des dommages à ses composants internes.
Le voyant de liquide de rinçage est allumé ou clignote	Le distributeur de liquide de rinçage est vide. (Après le remplissage, il est possible que le voyant du liquide rinçage reste allumé pendant un certain temps).	Remplissez le distributeur avec du liquide de rinçage (voir <i>REmplir LE DISTRIBUTEUR DE LIQUIDE DE RINÇAGE</i>).
Le voyant de détartrage est allumé ou clignote; L'alarme « dES » s'affiche.	Du calcaire s'accumule sur les composants internes de l'appareil.	Détartrez l'appareil immédiatement en utilisant le programme Autonettoyant et un produit détartrant disponible dans le commerce (voir <i>OPTIONS ET FONCTIONS</i>). Remplissez le réservoir avec du sel. Vérifiez le réglage de la dureté de l'eau. Si l'appareil n'est pas détartré, il arrêtera de fonctionner.
Le lave-vaisselle ou les commandes ne fonctionnent pas.	L'appareil n'est pas bien branché.	Insérez la fiche dans la prise de courant.
	Panne de courant.	Pour des raisons de sécurité, le lave-vaisselle ne redémarrera pas automatiquement lors du rétablissement du courant. Ouvrez la porte du lave-vaisselle, appuyez sur le touche DÉPART/Pause, et fermez la porte dans les 4 secondes.
	La porte du lave-vaisselle n'est pas fermée. La tige du système NaturalDry n'est pas rentrée.	Poussez vigoureusement la porte pour entendre le « clic ».
	Un cycle est interrompu en cas d'ouverture de la porte pendant plus de 4 secondes.	Appuyez sur DÉPART/Pause et fermez la porte dans les 4 secondes.
Le lave-vaisselle ne se vidange pas. L'afficheur indique: F7 E3 ou F9 E1	Le filtre est bouché par des résidus de nourriture ou du calcaire.	Nettoyez le filtre et détardez l'appareil (voir <i>NETTOYER L'ENSEMBLE FILTRE et INSTRUCTION POUR LE DÉTARTRAGE</i>).
	Le tuyau de vidange est plié.	Vérifiez le tuyau de vidange (voir <i>INSTRUCTIONS D'INSTALLATION</i>).
	Le conduit de vidange de l'évier est bouché.	Nettoyez le conduit de vidange de l'évier.
Le lave-vaisselle fait beaucoup de bruit.	La vaisselle s'entrechoque.	Remplacez la vaisselle correctement (voir <i>CHARGEMENT DES PANIERS</i>).
	Une quantité de mousse excessive est présente.	Le détergent a été mal mesuré ou il n'est pas adéquat pour les lave-vaisselle (voir <i>REmplir LE DISTRIBUTEUR DE DÉTERGENT</i>). Relancez le cycle en cours en éteignant le lave-vaisselle, puis en le rallumant, sélectionnez un nouveau programme, appuyez sur MARCHÉ-ARRÊT et fermez la porte dans les 4 secondes. Merci de ne pas ajouter de détergent.
	La vaisselle n'a pas été bien rangée.	Remplacez la vaisselle correctement (voir <i>CHARGEMENT DES PANIERS</i>).
	Le filtre est bouché par des résidus de nourriture ou du calcaire.	Nettoyez l'ensemble de filtre (voir <i>NETTOYAGE ET ENTRETIEN</i>).
La vaisselle n'est pas propre.	La vaisselle n'a pas été bien rangée.	Remplacez la vaisselle correctement (voir <i>CHARGEMENT DES PANIERS</i>).
	Les bras d'aspersion ne tournent pas librement, ils sont gênés par la vaisselle.	Remplacez la vaisselle correctement (voir <i>CHARGEMENT DES PANIERS</i>). Vérifiez que le panier supérieur est dans la position correcte et ajuster (lever) si nécessaire.
	Le cycle de lavage n'est pas assez intensif.	Sélectionnez le cycle de lavage approprié (voir <i>TABLEAU DES PROGRAMMES</i>).
	Une quantité de mousse excessive est présente.	Le détergent a été mal mesuré ou il n'est pas adéquat pour les lave-vaisselle (voir <i>REmplir LE DISTRIBUTEUR DE DÉTERGENT</i>).
	Le bouchon du compartiment de liquide de rinçage n'est pas bien fermé.	Assurez-vous que le bouchon du distributeur de liquide de rinçage est fermé.
	Le filtre est bouché par des résidus de nourriture ou du calcaire.	Nettoyez le filtre et détardez l'appareil (voir <i>NETTOYER L'ENSEMBLE FILTRE</i>).
	Le réservoir de sel est vide.	Remplir le réservoir de sel (voir <i>REmplir LE RÉSERVOIR DE SEL</i>).
L'eau n'arrive pas au lave-vaisselle. L'afficheur indique: H2O et est allumé; une alarme sonore retentit.	L'alimentation d'eau est vide ou le robinet est fermé.	Assurez-vous qu'il y a de l'eau dans le circuit d'alimentation ou que le robinet est ouvert.
	Le tuyau d'arrivée d'eau est plié.	Vérifiez le tuyau d'entrée (voir <i>INSTALLATION</i>). Ouvrez la porte du lave-vaisselle, appuyez sur le touche DÉPART/Pause, et fermez la porte dans les 4 secondes.
	Le tamis dans le tuyau d'arrivée d'eau est obstrué; vous devez le nettoyer.	Vérifiez et nettoyez le tamis dans le tuyau d'entrée d'eau. Ouvrez la porte du lave-vaisselle, appuyez sur le touche DÉPART/Pause, et fermez la porte dans les 4 secondes.
Le lave-vaisselle termine son cycle prématurément. L'afficheur indique: F8 E3 .	Le bouchon du compartiment de liquide de rinçage n'est pas bien fermé.	Nettoyez le filtre et détardez l'appareil (voir <i>NETTOYER L'ENSEMBLE FILTRE et INSTRUCTION POUR LE DÉTARTRAGE</i>).
	Le tuyau de vidange est positionné trop bas ou se vide dans le système d'évacuation domestique.	Vérifiez que le tuyau de vidange n'est pas trop engagé dans la canalisation murale du réseau d'évacuation des eaux usées (voir <i>INSTALLATION</i>). En cas d'un branchement du tuyau de vidange sur le syphon d'un évier de cuisine, il faut installer un dispositif anti retour pour éviter le risque de siphonnage du lave-vaisselle.
	Une quantité de mousse excessive est présente.	Le détergent a été mal mesuré ou il n'est pas adéquat pour les lave-vaisselle (voir <i>REmplir LE DISTRIBUTEUR DE DÉTERGENT</i>).
	De l'air est présent dans l'alimentation en eau.	Vérifiez si l'alimentation en eau présente des fuites ou d'autres problèmes laissant entrer de l'air.

PROBLÈMES	CAUSES POSSIBLES	SOLUTIONS
La vaisselle n'est pas bien séchée.	Il n'y a pas de liquide de rinçage ou le dosage est trop faible.	Assurez-vous que le distributeur de liquide de rinçage est rempli (<i>voir REMPLIR LE DISTRIBUTEUR DE LIQUIDE DE RINÇAGE</i>). Les tablettes multifonctions ne donnent pas un résultat de séchage aussi bon que l'utilisation effective de liquide de rinçage.
	La vaisselle a été chargée après l'ouverture automatique de la porte mais avant la fin du cycle effectif.	Assurez-vous que le cycle a pris fin avant de commencer à décharger la vaisselle (<i>voir UTILISATION QUOTIDIENNE</i>). Pour des résultats de séchage encore meilleurs, il est recommandé de laisser la vaisselle à l'intérieur du lave-vaisselle avec la porte ouverte pendant 15 minutes supplémentaires après la fin du cycle.
	La vaisselle est positionnée trop à plat.	Si vous constatez des flaques d'eau dans les cavités des tasses, mugs ou bols, essayez de charger la vaisselle (en particulier dans le panier supérieur) de manière plus inclinée pour permettre à l'eau de s'égoutter davantage avant que le séchage ne débute.
	Le cycle sélectionné n'a pas de phase de séchage.	Vérifiez sur le <i>TABLEAU DE PROGRAMMES</i> si le programme sélectionné est équipé dans la phase de séchage. Un cycle sans phase de séchage ne peut pas donner une efficacité de séchage souhaitée, il est donc recommandé de changer la sélection de cycle pour celle qui présente une phase de séchage.
	La vaisselle est anti-adhérente ou en plastique.	Il est normal qu'il reste quelques gouttes d'eau sur ce type de matériau.
La vaisselle et les verres ont des traces bleues ou des teintes bleutées.	Le dosage du liquide de rinçage est excessif.	Ajuster le dosage à une valeur inférieure.
Des traces de calcaire ou un film blanc sont présentes sur la vaisselle et les verres.	Le réservoir à sel est vide.	Remplissez le réservoir avec du sel dès que possible. L'utilisation de l'appareil sans sel peut provoquer des dommages à ses composants internes.
	Le réglage de la dureté de l'eau est trop bas.	Augmenter le réglage (<i>voir TABLEAU DURETÉ DE L'EAU</i>).
	Le bouchon du réservoir de sel n'est pas bien fermé.	Vérifiez et fermez le bouchon du réservoir de sel.
	Le réservoir de liquide de rinçage est vide ou le dosage de liquide de rinçage est insuffisant.	Remplissez le distributeur avec du liquide de rinçage et vérifiez le réglage du dosage (pour plus d'informations - voir <i>REEMPLIR LE DISTRIBUTEUR DE LIQUIDE DE RINÇAGE</i>).
Le lave-vaisselle affiche F8 E5	La vanne est bloquée ou défectueuse.	Fermez le robinet d'eau, si possible. Ne coupez pas l'alimentation électrique. Appelez la maintenance.



Vous trouverez les documents normatifs, la documentation standard, le classement des pièces de rechange et des informations supplémentaires sur les produits:

- En utilisant le QR code sur votre produit et visitant notre site web docs.whirlpool.eu
- En visitant notre site web parts-selfservice.whirlpool.com
- Vous pouvez également **contacter notre Service après-vente** (voir numéro de téléphone dans le livret de garantie). Lorsque vous contactez notre Service après-vente, veuillez indiquer les codes figurant sur la plaque signalétique de l'appareil.



Les informations relatives au modèle peuvent être trouvées en utilisant le QR-Code figurant sur l'étiquette énergétique. L'étiquette comprend également l'identifiant du modèle qui peut être utilisé pour consulter le portail du registre sur le site <https://eprel.ec.europa.eu>.



FR





GRAZIE PER AVER ACQUISTATO UN PRODOTTO WHIRLPOOL.

Per ricevere assistenza in modo più completo, registrare il proprio apparecchio sul sito: www.whirlpool.eu/register

Prima di utilizzare l'apparecchio, legga attentamente le Istruzioni di sicurezza e di installazione. Maggiori informazioni sul prodotto disponibili sul sito web: docs.whirlpool.eu



Dopo l'installazione, ricordarsi di rimuovere tutte le parti di protezione per il trasporto dalla lavastoviglie.

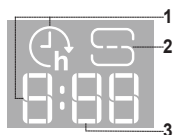
PANNELLO DI CONTROLLO



1. Tasto **ACCENSIONE-SPEGNIMENTO/Ripristino** con relativa spia
2. Tasto **programma Eco** con relativa spia
3. Tasto **programma Auto Intensivo** con relativa spia
4. Tasto **programma Auto Misto** con relativa spia
5. Tasto **programma Auto Rapido** con relativa spia
6. Tasto **programma Rapido** con relativa spia
7. Tasto **programma Cristalli** con relativa spia / **Programma Autopulente** - pressione di 3 sec.
8. Tasto **programma Prelavaggio** con relativa spia
9. Spia serbatoio **Sale vuoto**
10. Spia serbatoio **Brillantante Vuoto**
11. **Display**

12. **Numero di programma** e indicatore di **durata residua**
13. Spia **Rubinetto Acqua Chiuso**
14. Spia **DECALCIFICAZIONE**
15. Tasto **opzione Power Clean®** con relativa spia
16. Tasto **opzione di Mezzo Carico** con relativa spia
17. Tasto **opzione Extra Asciutto** con relativa spia / **Impostazioni** - pressione di 3 sec.
18. Tasto **opzione Silenzioso** con relativa spia
19. Tasto **opzione Antibatterico** con relativa spia
20. Tasto **opzione Turbo** e relativa spia
21. Tasto **opzione Avvio Ritardato** con relativa spia
22. Tasto **AVVIO/Pausa** con relativa spia

DISPLAY A PAVIMENTO



1. **Tempo di attesa sul pavimento** - indicatore del tempo mancante all'inizio del ciclo, quando l'opzione Attesa è impostata
2. **Serbatoio del sale vuoto** - spia luminosa a pavimento
3. **Tempo residuo a pavimento** - indicatore del tempo residuo fino al termine del ciclo

PRIMO UTILIZZO

MENU IMPOSTAZIONI

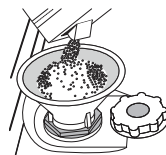
1. Azionare l'apparecchio premendo il tasto **ACCENSIONE/SPEGNIMENTO**
2. Tenere premuto il tasto **Impostazioni** (Extra Asciutto) per 3 secondi, fino a quando non si sente un bip e il display visualizzerà **"SET"** (Impostato).
3. Dopo un secondo, verrà visualizzata la prima impostazione disponibile (lettera "h").
4. Premere **programma Prelavaggio** / **opzione Power Clean®** per scorrere in avanti e indietro l'elenco delle impostazioni disponibili (vedere la tabella sottostante), quindi premere **AVVIO/Pausa** per visualizzare e modificare il valore dell'impostazione attualmente selezionata.
5. Premere **programma Prelavaggio** / **opzione Power Clean®** per modificare il valore, quindi premere **AVVIO/Pausa** per salvare il nuovo valore.
6. Per modificare un'altra impostazione, ripetere i punti 2 e 5.
7. Premere **ACCENSIONE/SPEGNIMENTO** o attendere 30 secondi per uscire dal menu.

LETTERA	IMPOSTAZIONE	VALORI (Predefinito - in grassetto)
	Grado di durezza dell'acqua (vedere "IMPOSTAZIONE DELLA DUREZZA DELL'ACQUA" e "TABELLA DELLA DUREZZA DELL'ACQUA")	1 2 3 4 5
	Livello del brillantante (vedere "REGOLAZIONE DEL DOSAGGIO DI BRILLANTANTE")	0 1 2 3 4 5
	NaturalDry (vedere "OPZIONI E FUNZIONI") "1" = Accese, "0" = Spente	1 0
	Ora sul pavimento (vedere "OPZIONI E FUNZIONI") "1" = Accese, "0" = Spente	1 0
	Segnale acustico "1" = Accese, "0" = Spente	1 0
	Luci interne (vedere "OPZIONI E FUNZIONI") "1" = Accese, "0" = Spente	1 0
	Impostazioni di fabbrica Premere AVVIO/Pausa per ripristinare i valori di fabbrica di tutte le impostazioni incluse nel menu delle impostazioni.	-

RIEMPIMENTO DEL SERBATOIO SALE

L'uso di sale previene la formazione di CALCARE sulla superficie dei piatti e sui componenti della macchina. Il serbatoio del sale si trova nella parte inferiore della lavastoviglie (sotto il cestello inferiore sul lato sinistro).

- È indispensabile che il **serbatoio del sale non sia mai vuoto**.
- È essenziale quindi che il livello di durezza dell'acqua sia stato impostato.
- Il sale deve essere inserito quando la spia **RIEMPIMENTO SALE** sul pannello comandi è accesa.



1. Togliere il cestello inferiore e svitare il tappo del serbatoio (ruotare in senso antiorario).
2. Sistemare opportunamente l'imbuto (vedere figura) e rifornire il serbatoio del sale fino all'orlo (circa 0,5 kg); Non è inconsueto che l'acqua trabocchi leggermente.
3. **Solo la prima volta: riempire d'acqua il serbatoio del sale.**

4. Togliere l'imbuto ed eliminare qualsiasi residuo di sale dall'areacircondante l'apertura.

Accertarsi che il tappo sia adeguatamente serrato per evitare l'ingresso di detersivo all'interno della vaschetta durante il programma di lavaggio (ciò potrebbe causare il danneggiamento del dispositivo addolcente senza possibilità di riparazione).

Eseguire un programma ogni volta che si completa il riempimento del serbatoio del sale per evitare la corrosione.

Impostazione della durezza dell'acqua

Per consentire che il dispositivo addolcente dell'acqua agisca al meglio, è essenziale che l'impostazione del livello di durezza dell'acqua tenga conto della sua durezza effettiva nell'utenza domestica. È possibile ottenere il valore di durezza dell'acqua nell'utenza domestica rivolgendosi al proprio fornitore. L'impostazione di fabbrica è "3". Vedere „TABELLA DELLA DUREZZA DELL'ACQUA”.

Tabella della durezza dell'acqua			
Livello	°dH Gradi tedeschi	°fH Gradi francesi	°Clark Gradi inglesi
1 (Dolce)	0 - 6	0 - 10	0 - 7
2 (Moderatamente dolce)	7 - 11	11 - 20	8 - 14
3 (Medio)	12 - 16	21 - 29	15 - 20
4 (Dura)	17 - 34	30 - 60	21 - 42
5 (Molto dura)	35 - 50	61 - 90	43 - 62

Per effettuare modifiche, seguire le istruzioni riportate nella sezione „MENU IMPOSTAZIONI”.

Utilizzare soltanto sale di tipo specifico per lavastoviglie.

Dopo aver versato il sale all'interno della macchina, la spia riempimento SALE si spegne.

La mancanza di sale nel serbatoio potrebbe danneggiare l'addolcitore d'acqua e la resistenza per effetto dell'accumulo di calcare. L'uso del sale è consigliato con qualsiasi tipo di detersivo per lavastoviglie.

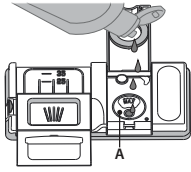
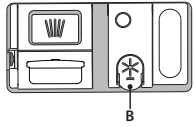
SISTEMA DI ADDOLCIMENTO DELL'ACQUA

L'addolcitore riduce automaticamente la durezza dell'acqua, impedendo la formazione di calcare sulla serpentina e contribuendo a migliorare l'efficienza di lavaggio. **Questo sistema si rigenera con il sale, che deve essere perciò rabboccato quando il serbatoio del sale è vuoto.** La frequenza di rigenerazione dipende dal livello di durezza impostato - con la durezza dell'acqua impostata al livello **3**, la rigenerazione avviene ogni **4-6** cicli Eco. Durante i cicli con rigenerazione, il sistema di gestione dell'acqua si riempie ulteriormente. Il processo di rigenerazione e di gestione dell'acqua avviene all'inizio del ciclo con acqua dolce supplementare.

- Ogni rigenerazione comporta: un consumo di ~6,5 litri d'acqua;
- Un prolungamento di 5 minuti della normale durata del ciclo;
- Un consumo di energia minore di 0,005 kWh.

RIEMPIMENTO DEL DISTRIBUTORE BRILLANTANTE

L'utilizzo di brillantante facilita il processo di ASCIUGATURA delle stoviglie. Il distributore di brillantante **A** deve essere riempito ogni volta che a spia dell'indicatore di RIEMPIMENTO BRILLANTANTE  sul pannello comandi è illuminata.



1. Aprire il distributore **B** esercitando opportuna pressione e quindi sollevando la linguetta posta sul coperchio.
2. Versare delicatamente il brillantante fino al segno che indica il livello di riferimento

massimo (110 ml), ma evitandone la fuoriuscita. Nel caso in cui ciò si verifichi, asciugare immediatamente il liquido fuoriuscito mediante un panno asciutto.

3. Abbassare il coperchio fino ad avvertire lo scatto che ne segnala la chiusura. **Non versare MAI il brillantante direttamente all'interno della vaschetta.**

Regolazione del dosaggio di brillantante

Se non si è completamente soddisfatti del processo di asciugatura, è possibile regolare la quantità di brillantante da utilizzare.

Per effettuare modifiche, seguire le istruzioni riportate nella sezione „MENU IMPOSTAZIONI“.

Nel caso in cui il livello di brillantante sia impostato su ZERO, il brillantante non viene erogato. In caso di esaurimento del brillantante la spia BRILLANTANTE INSUFFICIENTE non è illuminata. A seconda del modello di lavastoviglie è possibile impostare al massimo **6** livelli.

- In presenza di strisce con sfumature blu sulla superficie dei piatti, impostare un livello di dosaggio basso (0-3).
- In presenza di gocce d'acqua o di calcare sulla superficie dei piatti impostare invece dosaggi alti (4-5).

USO QUOTIDIANO

1. VERIFICA DEL COLLEGAMENTO ALLA RETE IDRICA

Verificare che la lavastoviglie sia collegata alla rete idrica e che il rubinetto dell'acqua sia aperto.

2. AZIONAMENTO DELLA LAVASTOVIGLIE

Aprire la porta e premere il tasto **ACCENSIONE/SPEGNIMENTO**.

3. CARICAMENTO DEI CESTELLI (vedere CARICAMENTO DEI CESTELLI).

4. RIEMPIMENTO DEL DISTRIBUTORE DETERATIVO

5. SELEZIONARE IL PROGRAMMA E ADATTARE IL CICLO SECONDO NECESSITÀ

Selezionare il programma più appropriato in base al tipo di stoviglie e al loro livello di sporco (vedere DESCRIZIONE DEI PROGRAMMI) premendo il pulsante **PROGRAM** selezionato.

Selezionare le opzioni richieste (vedere OPZIONI E FUNZIONI). Non tutte le opzioni sono compatibili con tutti i programmi.

6. AVVIO

Avviare il ciclo di lavaggio premendo il pulsante **AVVIO/Pausa** (il led è acceso) e chiudendo la porta entro 4 secondi. Quando il programma si avvia, verrà emesso un singolo segnale acustico. Se la porta non viene chiusa entro 4 secondi viene emesso un suono di allarme. In questo caso, aprire la porta, premere il tasto **AVVIO/Pausa** e richiudere la porta entro 4 sec.

7. FINE DEL CICLO DI LAVAGGIO

La fine del ciclo di lavaggio è indicata da un suono e il display visualizza **END** (FINE). Aprire la porta e spegnere l'apparecchio premendo il pulsante **ACCENSIONE/SPEGNIMENTO**. Per evitare bruciate, prima di togliere le stoviglie attendere pochi minuti. Scaricare i cestelli, iniziando da quello inferiore.

AVVISI E CONSIGLI

CONSIGLI

Prima di caricare i cestelli, eliminare tutti i residui di cibo dalle stoviglie e vuotare i bicchieri. **Non occorre il risciacquo sotto acqua corrente prima del caricamento.**

Sistemare le stoviglie in modo che rimangano in sede e non si possano ribaltare; e sistemare le vaschette con le aperture rivolte verso il basso e le parti concave/complesse disposte obliquamente, per consentire all'acqua di lavaggio di raggiungere ogni superficie e scorrervi liberamente.

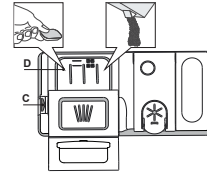
Avvertenza: coperchi, maniglie, vassoi e padelle non devono ostacolare la rotazione degli aspersori.

Riporre tutti gli oggetti di piccole dimensioni nel cestello portaposate. Quando molto sporche, riporre piatti e pentole nel cestello inferiore poiché nel relativo settore gli aspersori svolgono un'azione più intensa e consentono migliori prestazioni nel lavaggio.

Una volta completata la procedura di carico, accertarsi che gli aspersori possano ruotare liberamente.

RIEMPIMENTO DEL DISTRIBUTORE DETERATIVO

Per aprire il distributore deterativo utilizzare il dispositivo di apertura **C**. Versare il deterativo esclusivamente nel distributore **D** asciutto. Mettere la dose di deterativo per il prelavaggio direttamente all'interno del distributore.



1. Per il dosaggio corretto del deterativo fare riferimento ai dati sopra riportati. La vaschetta **D** contiene indicatori di livello per facilitare il dosaggio del deterativo.
2. Eliminare eventuali residui di deterativo dai bordi del distributore e chiudere il coperchio fino ad avvertire lo scatto caratteristico.
3. Chiudere il coperchio del distributore sollevandolo fino a portare il dispositivo di chiusura in sede.

Il distributore del deterativo si apre automaticamente quando previsto dal programma in uso.

L'uso di un deterativo non specifico per lavastoviglie potrebbe causare malfunzionamenti o danni all'apparecchio.

MODIFICA DI UN PROGRAMMA IN ESECUZIONE

Se è stato selezionato un programma sbagliato, è possibile cambiarlo, a condizione che sia appena iniziato. **RESET** della macchina: tenere premuto il pulsante **ACCENSIONE/SPEGNIMENTO** per più di 3 secondi, e la macchina si spegnerà. **Il pannello di controllo mostrerà "0:01"**. Chiudere la porta e attendere il termine del ciclo di scarico (circa 1 minuto). Aprire la porta e riaccendere la macchina usando il pulsante **ACCENSIONE/SPEGNIMENTO** e selezionare il nuovo ciclo di lavaggio e le opzioni desiderate. Avviare il ciclo premendo il pulsante **AVVIO/Pausa** e chiudendo la porta entro 4 secondi.

AGGIUNTA DI STOVIGLIE EXTRA

Senza spegnere la macchina, aprire prima leggermente la porta per evitare che l'acqua fuoriesca (il led **AVVIO/Pausa** inizia a lampeggiare) (**Attenzione! Vapore caldo!**) e mettere le stoviglie nella lavastoviglie. Premere il tasto **AVVIO/Pausa** e chiudere lo sportello entro 4 secondi; il ciclo riprenderà dal punto in cui era stato interrotto.

INTERRUZIONI ACCIDENTALI

Se la porta viene aperta durante il ciclo di lavaggio, o se si verifica un'interruzione di corrente, il ciclo si interrompe. **SOLO SE SI PREME il pulsante AVVIO/Pausa** e si chiude la porta entro 4 secondi, il ciclo riprenderà dal punto in cui è stato interrotto.

SISTEMA DI GESTIONE DELL'ACQUA

Questa lavastoviglie consente di immagazzinare fino a 3,2 litri di acqua dolce, utilizzata nei programmi selezionati. L'acqua viene conservata in un serbatoio dedicato e verrà utilizzata nei programmi successivamente selezionati. Si consiglia di eseguire periodicamente il ciclo Autopulente (vedere TABELLA PROGRAMMI).

STOVIGLIE DI TIPO NON ADATTO

- Stoviglie e posate in legno.
 - Bicchieri decorati, pezzi di artigianato e piatti antichi. Le decorazioni non sono sufficientemente resistenti.
 - Componenti in materiali sintetici che non resistono alle temperature elevate.
 - Stoviglie in rame e stagno.
 - Stoviglie sporche di cenere, cera, grasso lubrificante o inchiostro.
- Durante la fase di lavaggio i colori delle decorazioni di bicchieri e pezzi in alluminio/argento possono sbiadire. Alcuni tipi di bicchieri (es. i bicchieri in cristallo) possono divenire opachi anche soltanto dopo un certo numero di lavaggi.

DANNEGGIAMENTO DI BICCHIERI E STOVIGLIE

- Utilizzare soltanto bicchieri e porcellane garantite dal produttore per il lavaggio in lavastoviglie.
- Utilizzare un detersivo delicato e adatto al tipo di stoviglie in questione.
- Togliere i bicchieri e gli altri elementi dalla lavastoviglie non appena sia terminato il ciclo di lavaggio.

IGIENIZZANTE

Per evitare la formazione di cattivi odori e sedimenti vari all'interno della lavastoviglie **avviare un programma che preveda temperature elevate almeno una volta al mese**. Per eseguire la pulizia dell'apparecchio utilizzare un cucchiaino di detersivo e avviare il ciclo in assenza di carico.

RESISTENZA AL GELO

Se l'apparecchio è collocato in un locale esposto al pericolo di gelo, **occorre svuotarlo completamente**. Eseguire il ciclo Autopulente per svuotare il serbatoio dell'acqua. Chiudere il rubinetto dell'acqua e staccare i tubi di alimentazione e di scarico, quindi far defluire l'acqua. **Assicurarsi che l'addolcitore d'acqua sia pieno di sale di rigenerazione disciolto nel relativo contenitore**, per proteggere l'apparecchio da temperature fino a -20°C. Se l'apparecchio è stato immagazzinato in condizioni di gelo, deve rimanere a una temperatura ambiente di min. 5°C **per almeno 24 ore** prima del primo funzionamento.

SPOSTAMENTO O MANUTENZIONE DELLA LAVASTOVIGLIE

Questa lavastoviglie è dotata di un serbatoio dell'acqua che può risultare pieno d'acqua dopo la fine del ciclo (l'acqua può fuoriuscire se/quando la lavastoviglie viene inclinata). **Nota:** Prima di effettuare la manutenzione o di spostare la lavastoviglie, eseguire il ciclo Autopulente per svuotare il serbatoio dell'acqua.

CONSIGLI PER IL RISPARMIO ENERGETICO

- Se la lavastoviglie viene usata secondo le istruzioni del produttore, **il lavaggio delle stoviglie a macchina comporta normalmente un MINORE CONSUMO DI ENERGIA e acqua rispetto al lavaggio a mano**.
- Per ottimizzare l'efficienza della lavastoviglie si raccomanda di **avviare il ciclo di lavaggio con l'apparecchio a pieno carico**. Caricando la lavastoviglie fino alla capacità indicata dal produttore si contribuirà a ridurre i consumi d'acqua e di energia. Per informazioni sul caricamento corretto delle stoviglie, leggere la sezione CARICAMENTO DEI CESTELLI. In caso di carico parziale, si raccomanda di usare le apposite opzioni di lavaggio, se disponibili (Mezzo carico/ Zone Wash/ Multizona), caricando solo i cestelli selezionati. Un caricamento non corretto o eccessivo della lavastoviglie può aumentare il consumo di risorse (acqua, energia e tempo, oltre a una maggiore rumorosità) e ridurre le prestazioni di lavaggio e asciugatura.
- Il pre-risciacquo delle stoviglie comporta un maggiore consumo di acqua ed energia e non è consigliato.

TABELLA DEI PROGRAMMI

Programma	Descrizione dei programmi	Fase di asciugatura	NaturalDry	Opzioni disponibili ^{*)}	Durata programma di lavaggio (h:min) ^{**)}	Consumo d'acqua (litri/ciclo)	Consumo energetico (kWh/ciclo)	
Eco	Eco 50° - Il programma è indicato per le stoviglie mediamente sporche; è il programma più efficiente in termini di consumo combinato di acqua ed energia per questo tipo di stoviglie e viene usato per valutare la conformità dell'apparecchio alla legislazione UE in materia di progettazione ecocompatibile.	✓	✓		4:30	9,5	0,55	
	Auto Intensivo 65° - Programma automatico per piatti e pentole molto sporchi.	Rileva il livello di sporco delle stoviglie e seleziona il programma adeguato. Durante il rilevamento del livello di sporco, sul display compare un'animazione e la durata del ciclo viene aggiornata.	✓	✓		2:25 - 3:10	15,5 - 24,5	1,30 - 1,70
	Auto Misti 55° - Programma automatico per piatti normalmente sporchi e con residui secchi di cibo.		✓	✓		1:20 - 3:00	7,5 - 19,5	0,75 - 1,20
	Auto Rapido 50° - Programma automatico per piatti normalmente e leggermente sporchi. Ciclo quotidiano; permette di ottenere risultati di lavaggio e asciugatura ottimali in un tempo inferiore.	✓	✓		1:00 - 1:50	7,5 - 15,5	0,70 - 1,10	
	Rapido 45° - Il programma è consigliato per una quantità limitata di piatti poco sporchi e senza residui secchi di cibo. Non include la fase di asciugatura.	-	✓		0:30 - 0:40	10,0 - 12,0	0,55 - 0,65	
	Cristalli 45° - Programma adatto a oggetti delicati, più sensibili alle temperature elevate, ad esempio bicchieri e tazze.	✓	✓		1:40 - 1:50	12,5 - 16,5	0,95 - 1,20	
	Prelavaggio - Da utilizzare per sciaccquare le stoviglie da lavare successivamente. Questo programma non richiede detersivo.	-	✓		0:12	4,5	0,10	
	Autopulente 65° - Programma da utilizzare per eseguire la manutenzione della lavastoviglie e del sistema di gestione dell'acqua, da effettuare solo quando la lavastoviglie è VUOTA, utilizzando detersivi specifici progettati per la manutenzione della lavastoviglie.	-	-		1:40	11,0	1,10	

La misurazione dei dati per la creazione del programma ECO avviene in condizioni di laboratorio secondo quanto prescritto dalle norme europee EN 60436:2020 Nota per i laboratori di Prove: per informazioni sulle condizioni della prova comparativa EN, farne richiesta all'indirizzo: dw_test_support@whirlpool.com

Questi programmi non richiedono un pre-trattamento delle stoviglie.

*) Non è possibile selezionare tutte le opzioni contemporaneamente.

**) Ad eccezione del programma Eco, i valori riportati per gli altri programmi sono puramente indicativi. La durata effettiva può dipendere da molti fattori, quali la temperatura e la pressione dell'acqua di alimentazione, la temperatura ambiente, la dose di detersivo utilizzata, la quantità e il tipo di carico e il suo bilanciamento, la selezione di determinate opzioni e la taratura dei sensori. La taratura dei sensori può prolungare la durata dei programmi anche di 20 minuti.

OPZIONI E FUNZIONI

Le **OPZIONI** possono essere selezionate/deselezionate, dopo aver scelto il programma, direttamente premendo il pulsante corrispondente (se disponibile - l'indicatore si accende) (vedere **PANNELLO DI CONTROLLO**). In caso di opzione non compatibile con il programma selezionato (vedere **TABELLA DEI PROGRAMMI**), il LED corrispondente lampeggia 3 volte in rapida successione ed emette i previsti segnali acustici. L'opzione non è in tal caso abilitata. Un'opzione può modificare il tempo o il consumo di acqua o di energia per il programma.

POWER CLEAN - Grazie ai getti speciali supplementari questa funzione consente un lavaggio più intenso ed efficace nell'area specifica del cestello inferiore. Si raccomanda questa funzione per il lavaggio di pentole e casseruole (fare riferimento alla sezione di caricamento di Power Clean®).

MEZZO CARICO - Se le stoviglie da lavare non sono numerose, la funzione di mezzo carico **MEZZO CARICO** serve a risparmiare acqua, elettricità o tempo, a seconda del programma selezionato.

Ricordare di ridurre le dosi di detersivo.

EXTRA ASCIUTTO - La temperatura più elevata durante il risciacquo finale e la fase di asciugatura prolungata consentono di migliorare l'asciugatura.

SILENZIOSO - Adatto al funzionamento notturno dell'apparecchio. Questa opzione può essere utilizzata per limitare le emissioni di rumore durante le fasi di lavaggio. Aumenterà la durata del ciclo a seconda della selezione del ciclo base.

ANTIBATTERICO - Questa opzione può essere usata per disinfettare le stoviglie lavate. Eseguire il risciacquo finale a una temperatura più elevata e aggiunge un ciclo antibatterico al programma selezionato. Ideale per la pulizia di stoviglie in terracotta e biberon. Per garantire un'efficace riduzione dei germi lo sportello della lavastoviglie deve rimanere chiuso per tutta la durata del programma.

AVVERTENZA: al termine del ciclo piatti e stoviglie potrebbero scottare molto.

TURBO - Grazie all'opzione **TURBO**, è possibile ridurre il tempo fino al 40%, a seconda del programma selezionato. Il consumo di energia e di acqua aumenta.

AVVIO RITARDATO - L'avvio del programma può essere ritardato per un periodo di tempo compreso tra **30 minuti e 24 ore**.

1. Selezionare il programma richiesto e qualsiasi opzione necessaria. Per ritardare l'avvio del programma premere (ripetutamente) il tasto **AVVIO RITARDATO**. Regolabile da 30 minuti a 24 ore. Una volta raggiunta l'impostazione di 24 ore, premere il tasto **AVVIO RITARDATO** un'altra volta per disattivare la funzione **AVVIO RITARDATO**.
2. Premere il tasto **AVVIO/Pausa** e chiudere lo sportello entro 4 secondi. Il timer inizierà il conto alla rovescia.
3. Una volta trascorso questo periodo di tempo, la corrispondente spia si spegne e il programma si avvia automaticamente.

Una volta avviato il programma, non è più possibile impostare la funzione **AVVIO RITARDATO.**

RUBINETTO ACQUA CHIUSO - Allarme - Lampeggia, quando non è presente acqua in ingresso o il rubinetto dell'acqua è chiuso.

ORA SUL PAVIMENTO - Una luce LED proiettata sul pavimento indica il tempo mancante alla fine del ciclo. La spia si spegne a ogni apertura della porta. La luce si spegne al termine di un ciclo. Nell'impostazione predefinita questa funzione è attiva, ma è possibile disattivarla nel "MENU IMPOSTAZIONI".

NaturalDry - È un sistema di asciugatura a convezione che apre automaticamente lo sportello durante/dopo la fase di asciugatura, per garantire ogni giorno prestazioni di asciugatura eccezionali. Lo sportello si apre ad una temperatura sicura per i mobili della cucina; ciò significa che non si apre se è attiva l'opzione **ANTIBATTERICO**.

Come ulteriore protezione dal vapore, insieme alla lavastoviglie viene aggiunta una pellicola di protezione appositamente progettata.

Per vedere come montare la pellicola di protezione, fare riferimento alle **ISTRUZIONI PER L'INSTALLAZIONE**. Nell'impostazione predefinita questa funzione è attiva, ma è possibile disattivarla nel "MENU IMPOSTAZIONI".

LUCI INTERNE - Attivando questa funzione, i LED all'interno dell'apparecchio si accendono automaticamente all'apertura della porta e si spengono automaticamente alla sua chiusura.

Se la porta rimane aperta per più di 10 minuti, i LED interni si spengono (per riaccenderli si dovrà chiudere e riaprire la porta).

Nell'impostazione predefinita questa funzione è attiva, ma è possibile disattivarla nel "MENU IMPOSTAZIONI".

DECALCIFICAZIONE - Allarme - È stato rilevato un accumulo di calcare sui componenti interni dell'apparecchio. Verificare se l'impostazione della durezza dell'acqua è al valore corretto e se nel contenitore del sale è presente del sale (vedere **PRIMO UTILIZZO**), quindi utilizzare un prodotto decalcificante (si raccomanda il marchio **WPro**) con il programma **Autopulente**. Dopo una corretta decalcificazione, l'icona smetterà di essere visualizzata.

Se le azioni di cui sopra non vengono eseguite, le prestazioni del prodotto si deteriorano. L'avviso **DECALCIFICAZIONE** inizierà a lampeggiare e l'allarme «**dES**» apparirà sul display. Se non si interviene, l'apparecchio consentirà di avviare solo un certo numero di cicli (indicato durante la visualizzazione dell'allarme «**dES**» e quindi si **bloccherà** per evitare danni ai componenti, **rendendo disponibile solo il programma Autopulente**. Eseguendo una decalcificazione completa, il prodotto si sblocca. In caso di quantità estremamente elevate di calcare, potrebbe essere necessario eseguire la decalcificazione due volte per essere efficiente.

RILEVAMENTO - Quando il sensore rileva il livello del suolo, sul display appare un'animazione (circa 20 minuti) e la durata del ciclo viene aggiornata. Il **RILEVAMENTO** riguarda il livello di sporco delle stoviglie ed è presente per tutti i cicli (tranne l'Eco), regolando il programma di conseguenza.

CARICAMENTO DEI CESTELLI

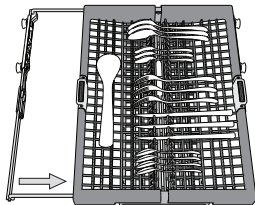
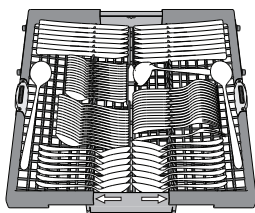
CAPENZA: 15 coperti standard

CESTELLO PORTAPOSATE

Il terzo cestello è stato progettato per alloggiare le posate durante il lavaggio. La possibilità di sistemare le posate a parte ne rende più semplice la raccolta dopo il lavaggio e migliora le prestazioni sia nella fase di lavaggio che in quella di asciugatura.

Coltelli e altri utensili con bordi affilati devono essere sistemati con le lame rivolte verso il basso.

Il cestello portaposate è munito di due carrelli scorrevoli per ottimizzare anche lo spazio del cestello inferiore e consentire il caricamento nel cestello superiore di oggetti di una certa altezza.

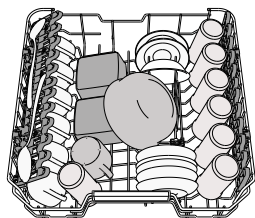


CESTELLO SUPERIORE

Riporvi i piatti poco resistenti e le stoviglie delicate: vetri, tazze, piatti, insalatiere dai bordi bassi.

Il cestello superiore è munito di sponde ribaltabili da utilizzare in posizione verticale per la sistemazione di piattini per tea/dessert oppure in posizione abbassata per consentire il carico di scodelle e recipienti per alimenti.

(esempio di carico del cestello superiore)



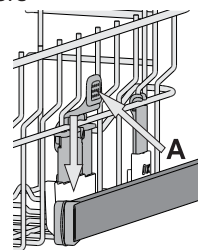
Regolazione in altezza del cestello superiore

È possibile regolare il cestello superiore nel senso dell'altezza: la posizione rialzata consente di sfruttare al massimo il cestello inferiore per riporvi le stoviglie di dimensioni ingombranti, mentre la posizione ribassata consente di utilizzare le sponde ribaltabili creando lo spazio che esse richiedono e di evitare urti con gli oggetti caricati nel cestello inferiore.

Il cestello superiore è munito di **regolatore in altezza** (vedere figura) che non richiede pressione sulle leve; sollevarlo tenendolo per i lati, non appena si trovi in posizione rialzata.

Per ripristinare la posizione ribassata, agire sulle leve **A** poste ai lati del cestello e abbassare il cestello.

Si raccomanda vivamente di non procedere alla regolazione in altezza di cestelli già caricati. Non rialzare o ribassare MAI il cestello agendo su un lato soltanto.



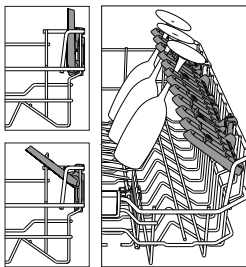
Sponde ribaltabili con posizione regolabile

Le sponde ribaltabili laterali possono essere estese o ripiegate per ottimizzare la disposizione delle stoviglie nel cestello.

Si possono disporre i bicchieri da vino nelle sponde ribaltabili in modo assolutamente sicuro, inserendone lo stelo negli appositi spazi.

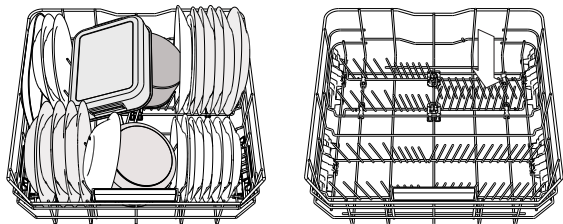
In base al modello:

- per estendere le sponde occorre farle scorrere verso l'alto e ruotarle oppure sganciarle dai fermi e abbassarle.
- per ripiegare le sponde occorre ruotarle e farle scorrere verso il basso oppure sollevarle e agganciarle ai fermi.



CESTELLO INFERIORE

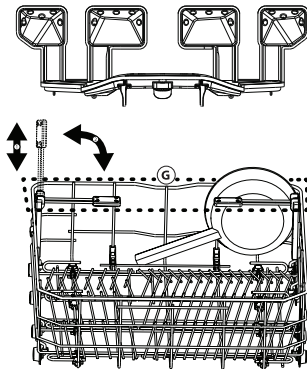
Per pentole, coperchi, piatti, insalatiere, stoviglie, ecc. In teoria conviene disporre piatti e coperchi di grandi dimensioni ai lati, per evitare interferenze con l'elemento aspersione. Il cestello inferiore è munito di sponde ribaltabili da utilizzare in posizione verticale per la migliore sistemazione dei piatti oppure in posizione orizzontale (abbassata) per consentire il facile carico di scodelle e recipienti per alimenti.



(esempio di carico nel cestello inferiore)

POWER CLEAN®

L'opzione Power Clean® utilizza specifici getti d'acqua nel retro della cavità per ottenere un lavaggio più intensivo delle stoviglie molto sporche. Il cestello inferiore è munito di Space Zone, lo specifico sostegno estraibile posto nella parte posteriore del cestello e utilizzabile per sostenere in posizione verticale pentole e casseruole e ottimizzare in tal modo lo spazio. Nel disporre pentole e casseruole rivolte verso l'elemento Power Clean® attivare la corrispondente opzione POWER CLEAN® dal pannello comandi.



Uso dell'opzione Power Clean®:

1. Regolare l'area Power Clean® (G) ripiegando verso il basso i supporti posteriori piatti per caricare le pentole.
2. Caricare le pentole e le casseruole in posizione inclinata verticale nell'area Power Clean®. Le pentole devono essere inclinate verso i potenti getti d'acqua.

CURA E MANUTENZIONE

PULIZIA DEL GRUPPO FILTRO

Pulire regolarmente il gruppo filtro in modo che nei relativi elementi non si formino ostruzioni e che l'acqua vi scorra regolarmente.

L'uso della lavastoviglie con i filtri ostruiti, o con oggetti estranei nel sistema filtrante o nei bracci irroratori, può causare malfunzionamenti e determinare una perdita di prestazioni, un aumento della rumorosità o un maggiore consumo di risorse.

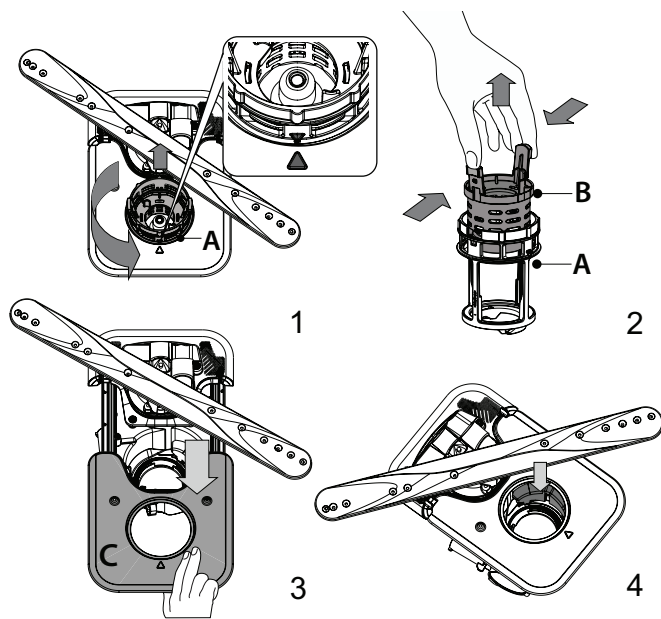
Il gruppo filtro è composto da tre elementi filtranti che eliminano la presenza di residui di cibo dall'acqua di lavaggio, rimettendola in circolo ai fini del programma; per ottenere le migliori prestazioni durante il lavaggio è necessario che tali elementi siano sempre puliti.

Non utilizzare mai la lavastoviglie priva dei filtri o con i filtri allentati.

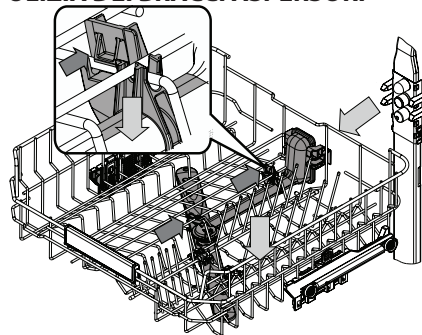
Almeno una volta al mese o ogni 30 cicli di lavaggio, verificare lo stato del gruppo filtro e se necessario pulirlo completamente sotto getto di acqua corrente, servendosi di spazzola metallica e seguendo le istruzioni sotto riportate:

1. Ruotare il filtro cilindrico A in senso antiorario, quindi estrarlo (Fig 1). **Quando si reinstalla il filtro, è importante che i due triangoli indicati sullo zoom coincidano.**
2. Smontare il filtro a tazza B esercitando una leggera pressione sulle sponde laterali (Fig 2).
3. Far scorrere il filtro a piastra in acciaio inossidabile C, fino ad estrarlo (Fig 3).
4. Se si trovano oggetti estranei (frammenti di vetro, porcellana, ossa, semi di frutta, ecc.), **rimuoverli con attenzione.**
5. Esaminare il sifone ed eliminare la presenza di qualsiasi residuo di cibo. **NON TOGLIERE MAI** l'elemento di protezione della pompa di lavaggio (indicato da una freccia) (Fig 4).

Dopo aver pulito i filtri, rimontare il gruppo e fissarlo correttamente in sede ciò è fondamentale per garantire l'efficienza della lavastoviglie.

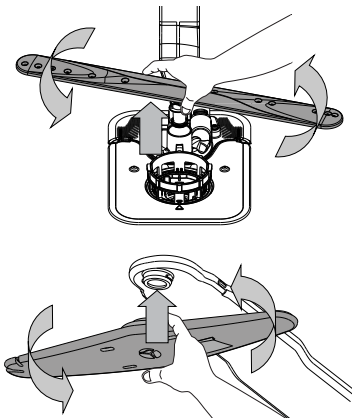


PULIZIA DEI BRACCI ASPERSORI



I residui di cibo possono occasionalmente formare incrostazioni sui bracci aspersori e bloccare i fori utilizzati per l'irrorazione dell'acqua. Si raccomanda pertanto di ispezionare di volta in volta i bracci e di pulirli mediante piccola spazzola metallica.

Per rimuovere lo spruzzo superiore, è necessario rimuoverlo insieme al collettore.



Il braccio di spruzzo inferiore può essere rimosso tirandolo verso l'alto e ruotandolo in senso antiorario. Il montaggio posteriore del braccio di spruzzo avviene tirandolo verso il basso e ruotandolo in senso orario.

Il braccio di spruzzo superiore può essere rimosso premendolo verso l'alto e successivamente ruotandolo in senso antiorario. Per rimontare il braccio di spruzzo, tirarlo verso l'alto e ruotarlo in senso orario.

RISOLUZIONE DEI PROBLEMI

Se la lavastoviglie non funziona correttamente, provare a risolvere il problema consultando l'elenco sotto riportato. Per errori o problemi di altro tipo, contattare un Servizio Assistenza Tecnica autorizzato; i dati di contatto sono riportati nel libretto di garanzia. I ricambi saranno disponibili per un periodo fino a 7 o fino a 10 anni, secondo i requisiti specifici del regolamento.

PROBLEMI	POSSIBILI CAUSE	SOLUZIONE
 La spia del sale è accesa	Il serbatoio del sale è quasi vuoto.	Riempire il serbatoio con sale (per ulteriori informazioni - vedere RIEMPIMENTO DEL SERBATOIO SALE). Se necessario, verificare l'impostazione della durezza dell'acqua - vedere TABELLA DELLA DUREZZA DELL'ACQUA.
 La spia del sale lampeggia	Il serbatoio del sale è vuoto.	Riempire il serbatoio di sale il prima possibile. L'utilizzo dell'apparecchio senza sale può causare danni ai componenti interni.
 La spia del brillantante è accesa o lampeggia	Il distributore del brillantante è vuoto. (Dopo il riempimento, la spia del brillantante può rimanere accesa per un breve periodo).	Riempire la vaschetta con un brillantante (per maggiori informazioni - vedere RIEMPIMENTO DEL DISTRIBUTORE BRILLANTANTE).
 La spia di decalcificazione è accesa o lampeggia; Viene visualizzato l'allarme „dES“.	Il calcare si sta accumulando sui componenti interni dell'apparecchio.	Decalcificare immediatamente l'apparecchio utilizzando il programma AUTOPULENTE e un prodotto decalcificante disponibile in commercio (vedere OPZIONI E FUNZIONI). Riempire il serbatoio di sale. Verificare l'impostazione della durezza dell'acqua. Se l'apparecchio non viene decalcificato, smetterà di funzionare.
La lavastoviglie non si avvia o i comandi non rispondono.	L'apparecchio non è stato collegato correttamente all'alimentazione elettrica.	Inserire la spina nella presa di corrente.
	Mancanza di corrente.	Per motivi di sicurezza, la lavastoviglie non si riavvierà automaticamente al ritorno della corrente. Aprire la porta, premere il tasto AVVIO/Pausa e richiudere la porta entro 4 secondi.
	Mancata chiusura della porta lavastoviglie. Il perno ActiveDry non viene inserito.	Spingere con decisione la porta fino ad avvertire il caratteristico "click".
	Un ciclo viene interrotto dall'apertura della porta per più di 4 secondi.	Premere AVVIO/Pausa e chiudere la porta entro 4 secondi.
Lo scarico della lavastoviglie non avviene. Sul display viene visualizzato: F7 E3 o F9 E1	Il filtro è intasato da residui di cibo o calcare.	Pulire il filtro e decalcificare l'apparecchio (vedere PULIZIA DEL GRUPPO FILTRO e ISTRUZIONI PER LA DECALCIFICAZIONE).
	Il tubo flessibile di drenaggio è attorcigliato.	Controllare il tubo flessibile di scarico (vedere ISTRUZIONI DI INSTALLAZIONE).
	Tubo di scarico del lavandino ostruito.	Pulire il tubo di scarico del lavandino.
La rumorosità della lavastoviglie è eccessiva.	Le stoviglie si scontrano l'una con l'altra.	Posizionare correttamente le stoviglie (vedere CARICAMENTO DEI CESTELLI).
	È presente una quantità eccessiva di schiuma.	Il detersivo non è stato dosato in modo corretto oppure non è del tipo adatto alle lavastoviglie (vedere RIEMPIMENTO DEL DISTRIBUTORE DETERSIVO). Per riavviare il ciclo in corso, spegnere e riaccendere la lavastoviglie, scegliere un nuovo programma, premere AVVIO/Pausa e chiudere lo sportello entro 4 secondi. Non aggiungere altro detersivo.
	Le stoviglie non sono state disposte correttamente.	Sistemare le stoviglie nel modo corretto (vedere CARICAMENTO DEI CESTELLI).
	Il filtro è intasato da residui di cibo o calcare.	Pulire il gruppo filtro (vedere CURA E MANUTENZIONE).
Le stoviglie non risultano pulite.	Le stoviglie non sono state disposte correttamente.	Sistemare le stoviglie nel modo corretto (vedere CARICAMENTO DEI CESTELLI).
	Impedimento nella rotazione dei bracci aspersori a causa dell'interferenza dei piatti.	Sistemare le stoviglie nel modo corretto (vedere CARICAMENTO DEI CESTELLI). Verificare che il cestello superiore sia nella posizione corretta e, se necessario, regolarlo (sollevarlo).
	Il ciclo di lavaggio è eccessivamente delicato.	Selezionare un ciclo di lavaggio appropriato (vedere TABELLA DEI PROGRAMMI).
	È presente una quantità eccessiva di schiuma.	Il dosaggio del detersivo non è stato stabilito in modo corretto oppure il detersivo non è del tipo adatto alle lavastoviglie (vedere RIEMPIMENTO DEL DISTRIBUTORE DETERSIVO).
	Il tappo del vano del brillantante non è stato chiuso correttamente.	Accertarsi che il tappo sul distributore brillantante sia chiuso.
	Il filtro è intasato da residui di cibo o calcare.	Pulire il filtro e decalcificare l'apparecchio (vedere PULIZIA DEL GRUPPO FILTRO).
La lavastoviglie non esegue il carico dell'acqua. Il display mostra: H2O e  si accende; suona l'allarme acustico.	Il serbatoio del sale è vuoto.	Riempire il serbatoio del sale (vedere RIEMPIMENTO DEL SERBATOIO SALE).
	Assenza di alimentazione idrica o rubinetto chiuso.	Assicurarsi che sia presente acqua nella rete idrica e che il rubinetto dell'acqua sia aperto.
	Il tubo flessibile di ingresso dell'acqua è attorcigliato.	Controllare il tubo flessibile di ingresso (vedere INSTALLAZIONE). Aprire la porta, premere il tasto AVVIO/Pausa e richiudere la porta entro 4 secondi.
La lavastoviglie termina il ciclo di lavaggio troppo presto. Il display mostra: F8 E3	La griglia nel tubo flessibile di ingresso dell'acqua è intasata; è necessario pulirlo.	Controllare e pulire la griglia nel tubo flessibile di ingresso dell'acqua. Aprire la porta, premere il tasto AVVIO/Pausa e richiudere la porta entro 4 secondi.
	Il filtro è intasato da residui di cibo o calcare.	Pulire il filtro e decalcificare l'apparecchio (vedere PULIZIA DEL GRUPPO FILTRO e ISTRUZIONI PER LA DECALCIFICAZIONE).
	Il tubo di scarico è posizionato troppo in basso o crea un effetto sifone nell'impianto di scarico domestico.	Controllare che l'estremità del tubo di scarico si trovi all'altezza corretta (vedere INSTALLAZIONE). Verificare la presenza di effetti sifone nel sistema fognario domestico e, se necessario, installare un interruttore sifone/una valvola di ammissione dell'aria.
	È presente una quantità eccessiva di schiuma.	Il dosaggio del detersivo non è stato stabilito in modo corretto oppure il detersivo non è del tipo adatto alle lavastoviglie (vedere RIEMPIMENTO DEL DISTRIBUTORE DETERSIVO).
La lavastoviglie termina il ciclo di lavaggio troppo presto. Il display mostra: F8 E3	Aria nella rete idrica.	Controllare che non vi siano perdite nell'impianto idraulico o altri problemi che causino l'ingresso di aria.

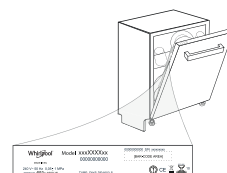
PROBLEMI	POSSIBILI CAUSE	SOLUZIONE
Le stoviglie non vengono asciugate bene.	Il brillantante non è presente o il dosaggio è troppo basso.	Assicurarsi che la vaschetta del brillantante sia piena (<i>vedere RIEMPIMENTO DEL DISTRIBUTORE BRILLANTANTE</i>). Le sole compresse multifunzionali non garantiscono un effetto di asciugatura altrettanto buono rispetto all'uso effettivo del brillantante liquido.
	Le stoviglie sono state scaricate dopo l'apertura automatica della porta, ma prima della fine del ciclo effettivo.	Assicurarsi che il ciclo sia terminato prima di iniziare a scaricare le stoviglie (<i>vedere USO QUOTIDIANO</i>). Per ottenere risultati di asciugatura ancora migliori, si consiglia di lasciare le stoviglie all'interno della lavastoviglie con la porta aperta per altri 15 minuti dopo la fine del ciclo.
	Le stoviglie sono troppo distese.	Se si notano ristagni d'acqua all'interno delle cavità di tazze, tazzine o ciotole, provare a caricare le stoviglie (soprattutto nel cestello superiore) fornendo una maggiore inclinazione per far gocciolare una maggiore quantità d'acqua prima dell'inizio dell'asciugatura.
	Il ciclo selezionato non prevede la fase di asciugatura.	Verificare nella <i>TABELLA DEI PROGRAMMI</i> se il programma selezionato è predisposto per la fase di asciugatura. Il ciclo senza la fase di asciugatura potrebbe non fornire l'efficienza di asciugatura desiderata, quindi si raccomanda di cambiare la selezione del ciclo con quella che prevede la fase di asciugatura.
	Piatti in materiale antiaderente o in plastica.	La presenza di alcune gocce d'acqua su questo tipo di materiale è normale.
I piatti e i bicchieri presentano striature blu o sfumature bluastre.	La dose di brillantante è eccessiva.	Regolare il dosaggio su un'impostazione più bassa.
I piatti e i bicchieri sono ricoperti di calcare o di una pellicola biancastra.	Il serbatoio del sale è vuoto.	Riempire il serbatoio di sale il prima possibile. L'utilizzo dell'apparecchio senza sale può causare danni ai componenti interni.
	L'impostazione della durezza dell'acqua è troppo bassa.	Aumentare l'impostazione (<i>vedere TABELLA DELLA DUREZZA DELL'ACQUA</i>).
	Tappo del serbatoio sale non correttamente chiuso.	Controllare e chiudere il tappo del serbatoio del sale.
	Il serbatoio del brillantante è vuoto o il dosaggio del brillantante è insufficiente.	Riempire nuovamente la vaschetta con il brillantante e controllare l'impostazione del dosaggio (per maggiori informazioni - <i>vedere RIEMPIMENTO DEL DISTRIBUTORE BRILLANTANTE</i>).
La lavastoviglie indica: F8 E5	La valvola è bloccata o difettosa.	Chiudere il rubinetto dell'acqua, se possibile. Non interrompere l'alimentazione elettrica. Chiamare l'assistenza.



Documentazione normativa, documentazione standard, ordinazione di pezzi di ricambio e altre informazioni sul prodotto possono essere reperite:

- Usare il codice QR e visitando il nostro sito web docs.whirlpool.eu
- Visitando il nostro sito web parts-selfservice.whirlpool.com
- Oppure, **contattare il Servizio Assistenza Tecnica** (al numero di telefono riportato sul libretto di garanzia). Quando si contatta il Servizio Assistenza Tecnica, fornire i codici presenti sulla targhetta matricola del prodotto.

I dati del modello possono essere richiamati usando il codice QR riportato sull'etichetta energetica. L'etichetta riporta anche il codice identificativo del modello che può essere utilizzato per consultare il portale di registrazione su <https://eprel.ec.europa.eu>





DANK U WEL VOOR UW AANKOOP VAN EEN WHIRLPOOL PRODUCT.

Voor verdere assistentie kunt u het apparaat registreren op: www.whirlpool.eu/register

Lees vóór gebruik van het apparaat de veiligheids- en installatie-instructies zorgvuldig door. Meer informatie over uw product is te vinden op website: docs.whirlpool.eu



Vergeet niet om na de installatie alle transportbeschermingen van de vaatwasser te verwijderen.

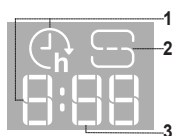
BEDIENINGSPANEEL



- AAN-UIT/Reset**-toets met controlelampje
- Programmatoets **Eco** met controlelampje
- Programmatoets **Auto Intensief** met controlelampje
- Programmatoets **Auto Gemengd** met controlelampje
- Programmatoets **Auto Snel** met controlelampje
- Programmatoets **Snel** met controlelampje
- Programmatoets **Kristallen** met controlelampje / **Zelfreinigend** - 3 sec. indrukken
- Programmatoets **Voorwas** met controlelampje
- Controlelampje **zoutreservoir** leeg
- Controlelampje **spoelglansmiddelreservoir** leeg
- Display**

- Nummer programma** en controlelampje **resterende tijd**
- Controlelampje **Gesloten Waterkraan**
- Controlelampje **ONTKALKEN**
- Toets voor **optie Power Clean®** met controlelampje
- Toets voor **optie Halve Lading** met controlelampje
- Toets voor **optie Extra Droog** met controlelampje / **Instellingen** - 3 sec. indrukken
- Toets voor **optie Stil** met controlelampje
- Toets voor **optie Antibacterieel Spoelen** met controlelampje
- Programmatoets **Zelfreinigen** met controlelampje
- Toets voor **optie Uitstel** met controlelampje
- Toets **START/Pauze** met controlelampje

DISPLAY OP DE VLOER



- Starttijd op de vloer** - de resterende tijd tot het programma start, wanneer de optie Uitgestelde start is ingesteld
- Zoutreservoir leeg** - controlelampje op de vloer
- Resterende tijd op de vloer** - de tijd tot het einde van het programma

EERSTE GEBRUIK

INSTELLING MENU

- Het apparaat inschakelen door op de toets **AAN-UIT** te drukken.
- Houd de toets **Instellingen** (Extra Dry) 3 seconden ingedrukt tot u een pieptoon hoort en **SEt** op het display verschijnt.
- Na één seconde verschijnt de eerste beschikbare instelling (letter, **h**).
- Druk op **programma Voorwas** / **optie Power Clean®** om door de lijst met beschikbare instellingen te bladeren (zie onderstaande tabel) en druk vervolgens op **START/Pauze** om de waarde van de geselecteerde instelling te bekijken of te wijzigen.
- Druk op **programma Voorwas** / **optie Power Clean®** om de waarde te veranderen, druk vervolgens op **START/Pauze** om de nieuwe waarde op te slaan.
- Herhaal punt 2 en 5 om andere instellingen te wijzigen.
- Druk op **AAN-UIT** of wacht 30 seconden om het menu te verlaten.

LETTER	INSTELLING	WAARDEN (Standaard - vetgedrukt)
h	Waterhardheidsgraad (zie 'DE WATERHARDHEID INSTELLEN' en 'TABEL WATERHARDHEID')	1 2 3 4 5
f	Glansspoelmiddelpeil (zie 'DE DOSERING GLANSSPOELMIDDEL AANPASSEN')	0 1 2 3 4 5
d	NaturalDry (zie 'OPTIES EN FUNCTIES') '1' = Aan, '0' = Uit	1 0
t	Tijd Op De Vloer (zie 'OPTIES EN FUNCTIES') '1' = Aan, '0' = Uit	1 0
s	Geluid '1' = Aan, '0' = Uit	1 0
l	Interne Verlichting (zie 'OPTIES EN FUNCTIES') '1' = Aan, '0' = Uit	1 0
i	Fabrieksinstellingen Druk op START/Pauze om alle waarden in het instellingenmenu terug te zetten naar de fabrieksinstellingen.	-

4. Verwijder de trechter en veeg alle zoutresten weg van de opening. Zorg ervoor dat de dop strak is aangedraaid, zodat geen vaatwasmiddel in de container kan komen tijdens het wasprogramma (dit kan de wateronharder onherstelbaar beschadigen).

Draai altijd een programma zodra u het zoutreservoir heeft bijgevoerd om corrosie te voorkomen.

De waterhardheid instellen

Als u de wateronharder perfect wilt laten werken is het essentieel dat de instelling van de waterhardheid is gebaseerd op de werkelijke waterhardheid in uw huis. Deze informatie kan bij uw lokale waterleverancier worden opgevraagd. De fabrieksinstelling is "3" voor gemiddelde waterhardheid. Zie „TABEL WATERHARDHEID“.

Volg de instructies in het hoofdstuk „INSTELLING MENU“ om dit te wijzigen.

Gebruik alleen zout dat speciaal voor afwasmachines is bestemd.

Wanneer het zout in de machine is gestrooid wordt het lampje ZOUT BIJVULLEN uitgeschakeld.

Als het zoutreservoir niet gevuld wordt, kunnen de waterverzachter en het verwarmingselement beschadigd raken als gevolg van de accumulatie van ketelsteen.

Het gebruik van zout wordt aanbevolen met elk type vaatwasmiddel.

Tabel waterhardheid			
Niveau	°dH Duitse graden	°fH Franse graden	°Clark Engelse graden
1 (Zacht)	0 - 6	0 - 10	0 - 7
2 (Gemiddeld)	7 - 11	11 - 20	8 - 14
3 (Gemiddeld)	12 - 16	21 - 29	15 - 20
4 (Hard)	17 - 34	30 - 60	21 - 42
5 (Zeer hard)	35 - 50	61 - 90	43 - 62

WATERVERZACHTEND SYSTEEM

Waterverzachters reduceren automatisch de waterhardheid en voorkomen bijgevolg ketelsteenvorming op de verwamer en dragen bij tot een efficiëntere reiniging.

Dit systeem wordt automatisch met zout geregenereerd, u dient dus het zoutreservoir te vullen wanneer het leeg is.

De frequentie van de regeneratie hangt af van de instelling van het waterhardheidsniveau - de regeneratie wordt uitgevoerd om de 4-6 Eco-cyclussen met het waterhardheidsniveau ingesteld op 3.

Bij programma's met regeneratie wordt het watermanagementsysteem extra gevuld. De regeneratie en het watermanagement vindt plaats aan het begin van het programma met extra vers water.

- Eén enkele regeneratie verbruikt: ~6,5 liter water;
- Doet de cyclus 5 minuten langer duren;
- Verbruikt minder dan 0,005 kWh energie.

HET ZOUTRESERVOIR BIJVULLEN

Het gebruik van zout voorkomt de vorming van KALKAANSLAG op het vaatwerk en op de functionele onderdelen van de machine.

Het zoutreservoir bevindt zich onderin de vaatwasser (onder het onderste rek aan de linkerkant).

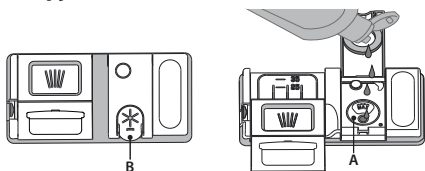
- Het is noodzakelijk dat **HET ZOUTRESERVOIR NOOIT LEEG IS.**
- Het is belangrijk dat de hardheid van het water wordt ingesteld.
- Zout moet worden bijgevoerd wanneer het controlelampje **ZOUT BIJVULLEN** op het bedieningspaneel brandt.



- Verwijder het onderste rek en draai de dop van het reservoir los (linksom).
- Plaats de trechter (zie afbeelding) en vul het zoutreservoir tot aan de rand (ongeveer 0,5 kg); het is niet ongebruikelijk dat er een beetje water uit lekt.
- Alleen de eerste maal dat u dit doet: vul het zoutreservoir met water.**

HET GLANSSPOELMIDDELRESERVOIR BIJVULLEN

Glansspoelmiddel maakt het DROGEN van de vaat gemakkelijker. Het glansspoelmiddelreservoir **A** moet worden gevuld wanneer het controlelampje **GLANSSPOELMIDDEL BIJVULLEN** op het display brandt



1. Open het doseerbakje **B** door de tab op het deksel in te drukken en omhoog te trekken.
2. Het glansspoelmiddel zorgvuldig inbrengen tot aan de maximum (110 ml) insteekgleuf van de vulruimte - voorkom morsen.

Wanneer dit gebeurt het gemorste glansspoelmiddel onmiddellijk met een droge doek reinigen.

3. Om het te sluiten het deksel naar beneden drukken totdat u een klik hoort.

Het glansspoelmiddel NOOIT rechtstreeks in de kuip gieten.

De dosering glansspoelmiddel aanpassen

Als u niet volledig tevreden bent over de droogresultaten kunt u de gebruikte hoeveelheid glansspoelmiddel aanpassen.

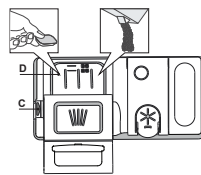
Volg de instructies in het hoofdstuk „INSTELLING MENU” om dit te wijzigen. Als het niveau van het glansspoelmiddel is ingesteld op NUL (ECO) zal geen glansspoelmiddel worden afgegeven. Het controlelampje **LAAG GLANSSPOELMIDDEL** zal niet branden als het glansspoelmiddel op is.

Er kan een maximum van **6** niveaus worden ingesteld, afhankelijk van het model afwasmachine.

- Als u blauwe strepen op het vaatwerk ziet stel dan een laag getal in (0-3).
- Als er druppels water of kalkaanslag op het vaatwerk zijn stel dan een hoog getal in (4-5).

HET VAATWASMIDDELDOSEERBAKJE VULLEN

Gebruik de opening apparaat **C** om het vaatwasmiddeldoseerbakje te openen. Het vaatwasmiddel alleen in het droge doseerbakje **D** invoeren. Plaats de hoeveelheid vaatwasmiddel voor voorspoelen direct in de kuip.



1. Raadpleeg bij het afmeten van het vaatwasmiddel de eerder vermelde informatie om de juiste hoeveelheid toe te voegen. In het doseerbakje **D** vindt u de aanwijzingen voor het doseren van het vaatwasmiddel.
2. Verwijder de resten vaatwasmiddel van de randen van het doseerbakje en sluit het deksel totdat het klikt.
3. Sluit het deksel van het vaatwasmiddeldoseerbakje door het omhoog te trekken tot het sluitingsmechanisme is vastgezet.

Het vaatwasmiddeldoseerbakje opent automatisch op het juiste moment, volgens het programma.

Het gebruik van vaatwasmiddelen die niet bedoeld zijn voor vaatwasmachines kan de slechte werking van het apparaat veroorzaken of het beschadigen.

DAGELIJKS GEBRUIK

1. WATERAANSLUITING CONTROLEREN

Controleer of de wasmachine is aangesloten op de waterleiding en of de waterkraan open is.

2. DE AFWASMACHINE INSCHAKELEN

Open de deur en druk op de toets **AAN/UIT**.

3. DE REKKEN VULLEN (zie *REKKEN VULLEN*).

4. HET VAATWASMIDDELDOSEERBAKJE VULLEN

5. HET PROGRAMMA KIEZEN EN DE CYCLUS AANPASSEN

Kies het meest geschikte programma op basis van het soort serviesgoed en de vervuilingsgraad (zie *PROGRAMMABESCHRIJVING*) door de toets van het gekozen **PROGRAMMA** in te drukken. Selecteer de gewenste opties (zie *OPTIES EN FUNCTIES*). Niet alle opties zijn compatibel met alle programma's.

6. START

Start het programma door op de toets **START/Pauze** te drukken en de deur binnen 4 sec. te sluiten. Wanneer het programma start hoort u een enkele piep. Als de deur niet binnen 4 seconden is gesloten, hoort u een geluid ter waarschuwing. Open in dat geval de deur, druk op de **START/Pauze**-toets en sluit de deur opnieuw binnen 4 sec.

7. EINDE VAN HET WASPROGRAMMA

Het einde van de wascyclus wordt aangegeven met een geluid en op de display is **END** te zien. Open de deur en schakel het apparaat uit door op de toets **AAN/UIT** te drukken.

Een paar minuten wachten voordat het serviesgoed wordt verwijderd - om brandwonden te voorkomen. De rekken uitladen, te beginnen met het onderste rek.

EEN LOPEND PROGRAMMA WIJZIGEN

Als er een verkeerd programma geselecteerd is, kan het worden gewijzigd, mits het nog maar net begonnen is. **RESET** de machine: Houd de toets **AAN/UIT** langer dan 3 sec. ingedrukt. De machine wordt uitgeschakeld. **Het dashboard toont "0:01"**. Sluit de deur en wacht tot de afvoercyclus afgelopen is (ongeveer 1 minuut). Open de deur en schakel de machine weer in met de knop **AAN/UIT** en selecteer de nieuwe wascyclus en eventuele gewenste opties. Start het programma door op **START/Pauze** te drukken en de deur binnen 4 sec. te sluiten.

EXTRA SERVIESGOED TOEVOEGEN

Open de deur een klein stukje zonder de machine uit te schakelen, zorg dat er geen water uitspat (het controlelampje **START/Pauze** knippert) (**Let op: Hete stoom!**) en doe de vaat in de vaatwasser. Druk op de **START/Pauze**-toets en sluit de deur binnen 4 sec., de cyclus wordt hernomen vanaf het punt waarop het was onderbroken.

ONBEDOELDE ONDERBREKING

Als de deur wordt geopend of als de stroom uitvalt tijdens het programma, stopt het programma. **ALLEEN DOOR OP START/Pauze TE DRUKKEN** en de deur binnen 4 sec. te sluiten, gaat het programma weer verder vanaf het punt waarop het werd onderbroken.

WATERMANAGEMENTSYSTEEM

Met deze vaatwasser kan maximaal 3,2 liter vers water worden opgeslagen in de geselecteerde programma's. Het water wordt opgeslagen in een speciale tank en wordt gebruikt in de later geselecteerde programma's. Het wordt aanbevolen om de zelfreinigende cyclus (zie *PROGRAMMATABEL*) regelmatig uit te voeren.

ADVIEZEN EN TIPS

ADVIEZEN

Verwijder alvorens de manden te laden alle voedselresten uit het serviesgoed en leeg de glazen. **Het serviesgoed hoeft niet tevoren onder stromend water afgespoeld te worden.**

Het serviesgoed zo rangschikken dat het stevig op zijn plaats staat en niet omslaat; rangschik de containers met de openingen naar beneden gericht en de holle/bolle onderdelen schuin geplaatst, waardoor het water elk oppervlak kan bereiken en vrij kan stromen.

Waarschuwing: zorg ervoor dat deksels, grepen, platen en koekenpannen de sproeierarmen niet belemmeren bij het draaien.

Plaats geen kleine voorwerpen in de bestekmand.

Erg vervuuld vaatwerk en pannen moeten in de onderste mand worden geplaatst, omdat in deze ruimte de watersproeiers sterker zijn en hogere wasprestaties hebben.

Zorg ervoor dat na het laden van het apparaat de sproeierarmen vrij kunnen draaien.

ONGESCHIKT SERVIESGOED

- Houten servies en bestek.
 - Kwetsbare gedecoreerde glazen, artistiek handwerk en antiek serviesgoed. Hun decoraties zijn hier niet tegen bestand.
 - Delen van synthetisch materiaal die niet bestand zijn tegen hoge temperaturen.
 - Koperen en tinnen serviesgoed.
 - Serviesgoed bevuild met as, was, smeervet of inkt.
- De kleuren van glasdecoraties en aluminium/zilveren stukken kunnen wijzigen en vervagen tijdens het wasproces. Sommige soorten glas (bv. kristallen voorwerpen) kunnen na een aantal wascyclussen ook dof worden.

SCHADE AAN GLASWERK EN SERVIESGOED

- Gebruik alleen glas en porselein waarvan de fabrikant garandeert dat het veilig is voor de afwasmachine.
- Gebruik een zacht vaatwasmiddel dat geschikt is voor serviesgoed.
- Haal glazen en bestek uit de afwasmachine zodra het wasprogramma afgelopen is.

TIPS VOOR ENERGIEBESPARING

- Wanneer de huishoudelijke vaatwasmachine gebruikt wordt volgens de aanwijzingen van de fabrikant, **verbruikt het wassen van vaatwerk in een vaatwasmachine gewoonlijk MINDER ENERGIE en water dan met de hand afwassen.**
- Om de efficiëntie van de vaatwasmachine te maximaliseren wordt aanbevolen om **de wascyclus eerst te starten wanneer de vaatwasmachine helemaal gevuld is.** De huishoudelijke vaatwasmachine vullen tot de hoeveelheid aangegeven door de fabrikant draagt bij tot het besparen van energie en water. Informatie over het correct laden van vaatwerk vindt u in het hoofdstuk DE REKKEN VULLEN. Als de machine gedeeltelijk is gevuld, wordt aanbevolen om de speciaal daarvoor bedoelde wasopties, indien voorzien, te gebruiken (Halve lading/ Zone Wash/ Multizone) en enkel geselecteerde rekken te vullen. De vaatwasmachine onjuist of overmatig vullen kan het gebruik van de hulpbronnen verhogen (zoals water, energie en tijd, en ook het geluidsniveau) en de reinigings- en droogprestaties verlagen.
- Vaatwerk vooraf met de hand spoelen verhoogt het water- en energieverbruik en wordt niet aanbevolen.

HYGIËNE

Om te voorkomen dat zich geur en afzetting ophoopt in de afwasmachine moet u ten minste één per maand een programma met hoge temperatuur laten draaien. Gebruik een theelepel vaatwasmiddel en laat het apparaat zonder lading draaien.








DE VAATWASSER VERPLAATSEN OF ONDERHOUDEN

Deze vaatwasser heeft een waterreservoir dat vol water kan blijven nadat de cyclus is beëindigd (er kan water uit lekken als/wanneer de vaatwasser gekanteld wordt). **Opmerking:** Voordat u de vaatwasser onderhoudt of verplaatst, voert u de zelfreinigende cyclus uit om het waterreservoir leeg te maken.

VOORZORGSMAATREGELEN BIJ VORST

Als het apparaat in een vertrek is geplaatst dat aan vorst kan worden blootgesteld, **moet al het water worden afgevoerd.** Voer de zelfreinigende cyclus uit om het waterreservoir leeg te maken. Draai de waterkraan dicht, koppel de toevoer- en afvoerslangen los en laat al het water er vervolgens uitsstromen. **Zorg ervoor dat de waterontharder vol zit met opgelost regenererzout in het zoutreservoir** om het apparaat te beschermen tegen temperaturen tot -20°C. Als het apparaat bij temperaturen onder nul is opgeslagen, moet het **minstens 24 uur** op een omgevingstemperatuur van minimaal 5°C blijven staan alvorens het weer in te schakelen.

PROGRAMMATABEL

Programma	Beschrijving programma's	Drogen fase	NaturalDry	Beschikbare functies *)	Duur van wasprogramma (h:min)**)	Waterverbruik (liter/cyclus)	Energieverbruik (kWh/cyclus)
Eco	Eco 50° - programma is geschikt voor het reinigen van normaal vervuild vaatwerk, dat voor dit gebruik het meest efficiënte programma is wat betreft de combinatie van energie- en waterverbruik en in overeenstemming is met de Europese Ecodesign-wetgeving. aangepast.	✓	✓	POWER CLEAN, 1/2, +, ✨, ☹️, >>>, ⌚	4:30	9,5	0,55
	Auto Intensief 65° - Automatisch programma voor zwaar vervuild vaatwerk en pannen. Meet de mate van vervuiling van het serviesgoed af en past het programma dienovereenkomstig aan. Wanneer de sensor de mate van vervuiling meet, verschijnt er een animatie in de display en wordt de cyclusduur aangepast.	✓	✓	POWER CLEAN, 1/2, +, ✨, ☹️, >>>, ⌚	2:25 - 3:10	15,5 - 24,5	1,30 - 1,70
	Auto Gemengd 55° - Automatisch programma voor normaal vuile vaat met opgedroogde etensresten.	✓	✓	POWER CLEAN, 1/2, +, ✨, ☹️, >>>, ⌚	1:20 - 3:00	7,5 - 19,5	0,75 - 1,20
	Auto Snel 50° - Automatisch programma voor normaal en licht vuile vaat. Het dagelijkse programma voor het optimaal reinigen en drogen in kortere tijd.	✓	✓	POWER CLEAN, 1/2, +, ✨, ☹️, ⌚	1:00 - 1:50	7,5 - 15,5	0,70 - 1,10
	Snel 45° - Programma dat kan worden gebruikt voor een halve lading licht vervuilde vaat zonder opgedroogde etensresten. Heeft geen droogfase.	-	✓	1/2, +, ✨, ☹️, ⌚	0:30 - 0:40	10,0 - 12,0	0,55 - 0,65
	Kristallen 45° - Programma voor kwetsbare stukken die gevoeliger zijn voor hoge temperaturen, bijvoorbeeld glazen en kopjes.	✓	✓	1/2, +, ✨, ☹️, ⌚	1:40 - 1:50	12,5 - 16,5	0,95 - 1,20
	Voorwas - Gebruikt om servies vochtig te houden dat later gewassen moet worden. Met dit programma wordt er geen vaatwasmiddel gebruikt.	-	✓	1/2, ⌚	0:12	4,5	0,10
	Zelfreinigend 65° - Programma te gebruiken voor het onderhoud en het watermanagementsysteem van de vaatwasser, wordt enkel uitgevoerd wanneer de vaatwasser LEEG is met gebruik van specifieke reinigingsmiddelen die speciaal ontworpen zijn voor het onderhoud van de vaatwasser.	-	-	☹️, ⌚	1:40	11,0	1,10

De gegevens van het ECO-programma worden gemeten onder laboratoriumomstandigheden, volgens de Europese norm EN 60436:2020. Aanwijzing voor de Proeflaboratoria: Voor gedetailleerde informatie over de omstandigheden van de EN-vergelijkingstest kunt u contact opnemen met: dw_test_support@whirlpool.com Voorbehandeling van het vaatwerk vóór de programma's is niet nodig.

*) Niet alle opties kunnen tegelijkertijd gebruikt worden.

**) Waarden aangegeven voor andere programma's dan het Eco-programma zijn slechts indicatief. De werkelijke tijd is afhankelijk van vele factoren, zoals de temperatuur en de druk van het toevoerwater, de kamertemperatuur, hoeveelheid vaatwasmiddel, de hoeveelheid en soort lading, evenwicht van de lading, extra gekozen opties en de kalibratie van de sensor. De kalibratie van de sensor kan de duur van het programma met max. 20 min. verlengen.

OPTIES EN FUNCTIES

OPTIES kunnen na het kiezen van het programma direct worden in-/uitgeschakeld door op de betreffende toets te drukken (het indicatorlampje gaat branden, indien beschikbaar) (zie BEDIENINGSPANEEL). Als een optie niet compatibel is met het geselecteerde programma (zie PROGRAMMATABEL) gaat de bijbehorende LED 3 keer snel knipperen en klinken er pieptonen. De optie wordt niet ingeschakeld. Een optie kan de tijd of het water- of energieverbruik voor het programma wijzigen.

POWER CLEAN® - Dankzij de extra krachtige stralen biedt deze functie een intensievere en krachtigere afwascyclus op de betreffende plek in het onderste reka. Deze functie wordt aanbevolen voor het afwassen van pannen en ovenschalen. (Zie het gedeelte over Power Clean®).

HALVE LADING - Als er niet veel vaat moet worden gewassen, wordt de functie HALVE LADING gebruikt om water, elektriciteit of tijd te besparen, afhankelijk van het gekozen programma.

Vergeet niet om de hoeveelheid vaatwasmiddel te verminderen.

EXTRA DROOG - Viimase loputuse järel kasutatav kõrgem temperatuur ja pikem kuivatusaas aitavad nõusid paremini kuivatada.

STIL - Handig als het apparaat 's nachts draait. Deze optie kan worden gebruikt om het geluid tijdens het draaien te beperken. Het programma duurt langer, afhankelijk van het gekozen programma.

ANTIBACTERIEEL SPOELN - Deze optie wordt gebruikt om de gewassen borden te ontsmetten. Het verhoogt de temperatuur van de laatste spoeling en voegt antibacterieel wasmiddel toe aan het geselecteerde programma. Ideaal voor het reinigen van serviesgoed en zuigflessen. De deur van de afwasmachine moet gedurende de hele duur van het programma gesloten blijven, om de antibacteriële werking te garanderen.

WAARSCHUWING: het serviesgoed en de platen kunnen aan het einde van de cyclus extreem heet zijn.

TURBO - Met de TURBO-optie kunt u tot 40% tijd besparen, afhankelijk van het gekozen programma. Het energie- en waterverbruik neemt toe.

UITSTEL - De start van het programma kan worden uitgesteld voor een periode tussen **0:30** en **24** uur.

1. Selecteer het programma en eventuele gewenste opties. Druk (meerdere keren) op de UITSTEL-toets om de start van het programma uit te stellen. Instelbaar van 0:30 tot 24 uur. Zodra de instelling van 24 uur is bereikt, drukt u nogmaals op de toets UITSTEL om de functie uit te schakelen.
2. Druk op de toets START/Pauze en sluit binnen 4 seconden de deur de timer begint met aftellen.
3. Wanneer deze tijd verstreken is wordt het controlelampje uitgeschakeld en begint het programma automatisch.

Zodra er een programma is gestart kan de UITSTEL-functie niet worden ingesteld.

SENSING - Wanneer de sensor meet hoe vuil de vaat is, verschijnt er een animatie op het display (ongeveer 20 min.) en wordt de programmaduur aangepast. Bij het waarnemen wordt gekeken hoe vuil de vaat is. Dit kan worden gebruikt bij alle programma's (behalve Eco) waarbij het programma dienovereenkomstig wordt aangepast.

WATERTOEOVOER GESLOTEN - Alarm - Knippert wanneer er geen watertoevoer is of de waterkraan gesloten is.

TIJD OP DE VLOER - De resterende tijd van het programma wordt op de vloer geprojecteerd. Telkens wanneer de deur wordt geopend gaat het licht uit. Het licht gaat uit aan het einde van een programma. Deze functie is standaard actief, maar kan worden uitgeschakeld in het "INSTELLING MENU".

NaturalDry - Een convectiedroogstelsysteem dat de deur tijdens/na de droogfase automatisch opent voor buitengewone droogprestaties, elke dag weer. De deur gaat open bij een temperatuur die veilig is voor uw keukenmeubelen, dus niet wanneer de optie ANTIBACTERIEEL SPOELEN is ingeschakeld. Als extra bescherming tegen stoom wordt een speciaal ontworpen beschermingsfolie bij de vaatwasser geleverd. Raadpleeg het INSTALLATIEBOEKJE om te zien hoe u de beschermingsfolie aanbrengt. Deze functie is standaard actief, maar kan worden uitgeschakeld in het "INSTELLING MENU".

INTERNE VERLICHTING - Wanneer de functie actief is, worden de leds in de kuip automatisch in/uitgeschakeld zodra de gebruiker de deur respectievelijk opent/sluit. Als de deur langer dan 10 minuten blijft openstaan, worden de leds in de kuip uitgeschakeld (om ze terug in te schakelen moet de deur worden gesloten en opnieuw geopend). Deze functie is standaard actief, maar kan uitgeschakeld worden op het "INSTELLING MENU".

ONTKALKEN - Alarm - Er is kalkaanslag geconstateerd op interne onderdelen van het apparaat. **Controleer of de waterhardheid** juiste is ingesteld en of er **zout** in het zoutreservoir zit (zie **EERSTE GEBRUIK**). **Gebruik vervolgens een ontkalkingsmiddel** (het merk WPro wordt aanbevolen) met het programma **Zelfreinigen**. Na een succesvolle ontkalking wordt het symbool niet meer weergegeven.

Als de bovenstaande handelingen niet worden uitgevoerd, zal het apparaat minder goed werken. De waarschuwing 'Ontkalken' begint te knipperen en op het display verschijnt «DES». Als er nog steeds niet wordt ingegrepen, start het apparaat nog slechts enkele malen op (aangegeven met «DES» op het display). Hierna start het apparaat niet meer om schade aan onderdelen te voorkomen. **Alleen het programma Zelfreinigen is nog beschikbaar**. Pas na een volledige ontkalking start het apparaat weer. Bij extreem veel kalkaanslag kan het nodig zijn om twee keer te ontkalken.

REKKEN VULLEN

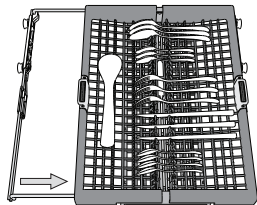
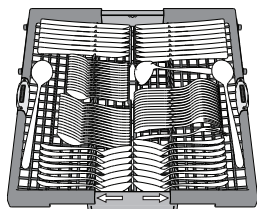
CAPACITEIT: **15** standaard couverts

BESTEKLADE

Het derde rek werd ontworpen om het bestek te herbergen. Rangschik het bestek zoals op de afbeelding. Een aparte rangschikking voor het bestek maakt het oppakken na de afwas eenvoudiger en verbetert de was- en droogprestaties.

Messen en andere gebruiksvoorwerpen met scherpe randen moeten worden geplaatst met de punten naar beneden gericht.

De bestekmand is uitgerust met twee schuifbladen, om optimaal gebruik te maken van de hoogte van de ruimte eronder en om het laden van hoge items in het bovenste rek mogelijk te maken.

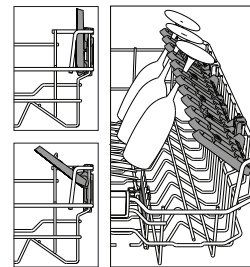


Opvouwbare kleppen met verstelbare stand

De opvouwbare kleppen aan de zijkant kunnen worden opgevouwen of opengevouwen voor een optimale rangschikking van het serviesgoed in het rek.

Wijn glazen kunnen veilig in de opvouwbare kleppen worden geplaatst door de steel van elk glas in de overeenkomstige sleuven in te voeren.

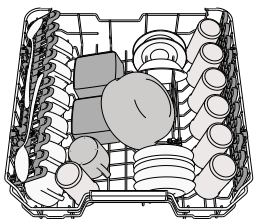
- om de kleppen open te vouwen moet u ze omhoog schuiven en roteren of ze losmaken van de klemmen en omlaag trekken.
- om de kleppen op te vouwen moet u ze roteren en omlaag schuiven of ze omhoog trekken en aan de klemmen vastmaken.



BOVENSTE REK

Laden van kwetsbaar en licht vaatwerk: glazen, kopjes, schoteltjes, lage saladekommen. Het bovenste rek heeft opklapbare steunen die in een verticale positie kunnen worden gebruikt bij het schikken van thee/dessertschoteltjes of in een lagere positie om kommen en schalen te laden.

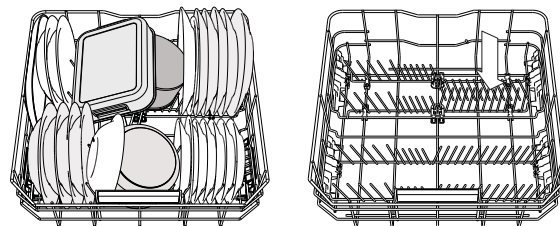
(laadvoorbeeld voor het bovenste rek)



ONDERSTE REK

Voor potten, deksels, platen, saladekommen, bestek enz. Grote platen en deksels moeten idealiter aan de zijkanten worden geplaatst, om aanraking met de sproeierarmen te voorkomen.

Het onderste rek heeft opklapbare steunen die in een verticale positie kunnen worden gebruikt bij het schikken van platen of in een horizontale positie (lager) om pannen en saladekommen te laden.



(laadvoorbeeld voor het onderste rek)

De hoogte van het bovenste rek afstellen

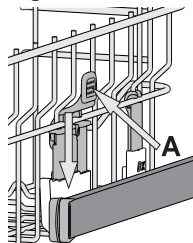
De hoogte van het bovenste rek kan worden afgesteld: hoge stand voor groot serviesgoed in de onderste mand en lage stand om optimaal gebruik te maken van de opklapbare steunen, door het creëren van meer ruimte naar boven en botsen met de items die in het onderste rek zijn geladen te voorkomen.

Het bovenste rek is uitgerust met een **hoogteversteller bovenste rek** (zie afbeelding, zonder op de hefboomen te hoeven drukken, opheffen door gewoon de zijkanten van het rek vast te houden, zodra het rek stabiel in de bovenste positie staat.

Voor herstellen naar de lagere positie op de hefboomen **A** aan de zijkanten van het rek drukken en de mand naar beneden verplaatsen.

Het is raadzaam de hoogte van het rek niet aan te passen wanneer het is geladen.

NOOIT de mand slechts aan één kant verhogen of verlagen.



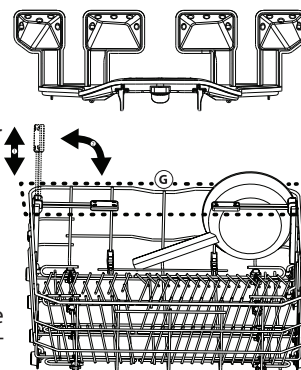
POWER CLEAN®

Power Clean® maakt gebruik van speciale waterstralen aan de achterzijde van de ruimte voor een intensievere reiniging van zeer vuile items. Het onderste rek heeft een lege ruimte, een speciale uittrekbare steun aan de achterzijde van het rek, die kan worden gebruikt ter ondersteuning van koekenpannen of braadpannen in verticale positie, zodat ze minder ruimte in beslag nemen.

Activeer POWER CLEAN op het paneel tijdens het plaatsen van de pannen / ovenschalen tegenover het Power Clean® component.

Power Clean® gebruiken:

1. Pas het Power Clean gebied (G) aan door de achterste bordenhouders omlaag te klapen om potten en pannen te laden.
2. Laad potten, pannen en schalen verticaal gekanteld in het Power Clean gebied. Potten en pannen moeten naar de krachtige waterstralen toe gekanteld worden.



REINIGING EN ONDERHOUD

HET FILTERSISTEEM REINIGEN

Reinig het filtersysteem regelmatig, zodat de filters niet verstopten en het afvalwater correct weg stroomt.

Het gebruik van vaatwasmachines met verstopte filters of vreemde voorwerpen in het filtersysteem of de sproeierarmen kan de slechte werking ervan en bijgevolg lagere prestaties, lawaai of een hoger verbruik van hulpbronnen veroorzaken.

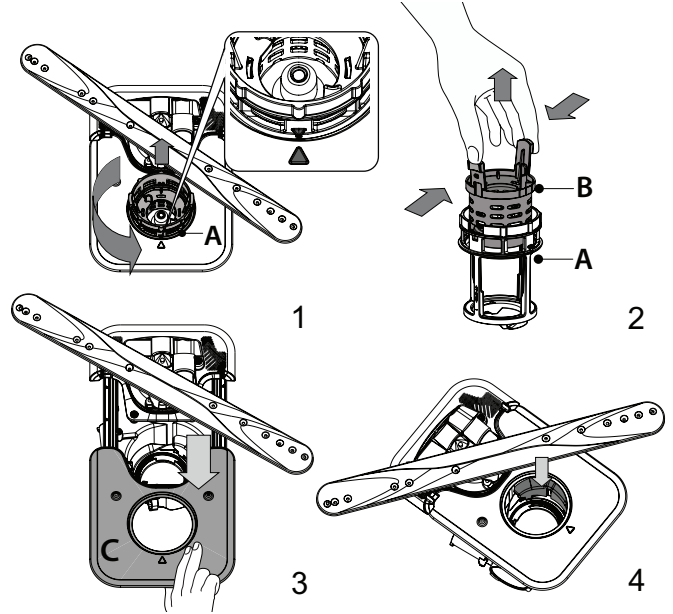
Het filtersysteem bestaat uit drie filters die voedselresten uit het afwaswater verwijderen en vervolgens het water opnieuw laten circuleren.

De afwasmachine mag niet worden gebruikt zonder filters of als het filter is losgeraakt.

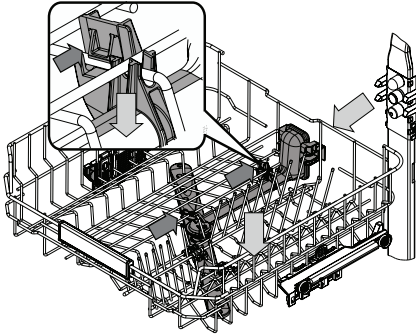
Controleer tenminste eens per maand of na elke 30 cyclussen het filtersysteem en reinig het eventueel grondig onder stromend water, met een niet-metalen borstel en volgens de onderstaande instructies:

1. Draai het cilindrische filter **A** linksom en trek het uit (Afb. 1). **Bij het terugplaatsen van het filter is het belangrijk dat de twee driehoeken die op de vergroting zijn aangegeven, elkaar raken.**
2. Verwijder het houderfilter **B** door licht op de zijkleppen te drukken (Afb. 2).
3. Schuif de roestvrij stalen plaat filter **C** er uit (Afb. 3).
4. Als u vreemde voorwerpen vindt (gebroken glas, porselein, beenderen, zaden van vruchten, enz.), **verwijdert u ze zorgvuldig.**
5. Inspecteer de sifon en verwijder eventuele voedselresten. **VERWIJDER NOOIT** de pompbescherming van het wasprogramma (aangegeven door de pijl) (Afb. 4).

Na het schoonmaken van het filter het filtersysteem opnieuw plaatsen en goed op zijn plaats zetten; dit is essentieel voor het behoud van de efficiënte werking van de afwasmachine.

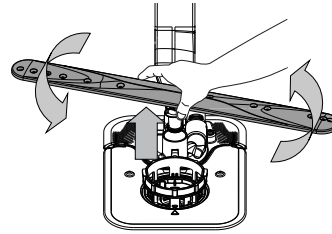


DE SPROEIERARMEN REINIGEN

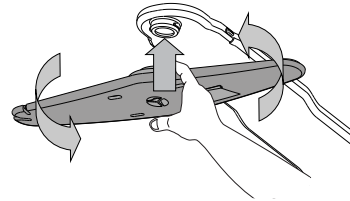


Af en toe kunnen er voedselresten op de sproeierarmen vastzitten en worden de openingen voor het water sproeien geblokkeerd. Het is daarom raadzaam dat u de armen van tijd tot tijd controleert en ze met een kleine niet-metalen borstel schoonmaakt.

U kunt de bovenste sproeier alleen samen met het spuitstuk verwijderen.



De onderste sproeierarm kan worden verwijderd door het omhoog te trekken. Trek de sproeierarm omhoog en draai hem rechtsom om hem weer te bevestigen.



De bovenste sproeierarm kan worden verwijderd door deze omhoog te duwen en linksom te draaien. Trek de sproeierarm omhoog en draai hem rechtsom om hem weer te bevestigen.

PROBLEMEN OPLOSSEN

Als uw vaatwasmachine niet goed werkt, doorloopt u de onderstaande lijst om te controleren u of u het probleem kunt verhelpen. Voor andere fouten of problemen neemt u contact op met de bevoegde Consumentenservice, de contactgegevens ervan vindt u in de garantieboekje. Reserveonderdelen zijn beschikbaar voor een periode van maximaal 7 of maximaal 10 jaar, afhankelijk van de regels die van toepassing zijn.

PROBLEMEN	MOGELIJKE OORZAKEN	OPLOSSINGEN
De zoutindicator brandt	Zoutreservoir is bijna leeg.	Vul het reservoir met zout (voor meer informatie - zie HET ZOUTRESERVOIR BIJVULLEN). Controleer zo nodig de instelling van de waterhardheid - zie TABEL WATERHARDHEID.
De zoutindicator knippert	Zoutreservoir is leeg.	Vul het reservoir zo snel mogelijk met zout. Gebruik van het apparaat zonder zout kan de interne onderdelen beschadigen.
Glansspoelmiddelindicator brandt of knippert	Glansspoelmiddelbakje is leeg. (Na het bijvullen kan de glansspoelmiddelindicator nog even blijven branden).	Vul het reservoir met een glansspoelmiddel (zie - HET GLANSSPOELMIDDELRESERVOIR BIJVULLEN).
De ontkalkingsindicator brandt of knippert; het alarm „dES“ wordt weergegeven.	Er zit kalkaanslag op de interne onderdelen van het apparaat.	Ontkalk het apparaat onmiddellijk met behulp van het Zelfreinigendsprogramma en een in de handel verkrijgbaar ontkalkingsmiddel (zie OPTIES EN FUNCTIES). Vul het reservoir met zout. Controleer de instelling van de waterhardheid. Als het apparaat niet wordt ontkalkt, werkt het niet meer.
De afwasmachine start niet of reageert niet op opdrachten.	Het apparaat is niet goed aangesloten.	Steek de stekker in het stopcontact.
	Stroomuitval.	Om veiligheidsredenen start de vaatwasser niet automatisch opnieuw op wanneer de stroom weer beschikbaar is. Open de deur van de vaatwasmachine, druk op de START/Pauze-toets en sluit de deur binnen 4 sec.
	De deur van de afwasmachine is niet goed gesloten. De pin NaturalDry is niet ingetrokken.	De deur krachtig aanduwen totdat u de „klik“ hoort.
	Een programma wordt onderbroken als de deur langer dan 4 seconden wordt geopend.	Druk op START/Pauze en sluit de deur binnen 4 seconden.
	Het bedieningspaneel reageert niet of F6 E1 wordt weergegeven.	Schakel het apparaat uit door op de toets AAN/UIT/Reset te drukken, schakel het na ongeveer een minuut weer in en start het programma opnieuw. Als het probleem niet is verholpen, trekt u de stekker van het apparaat 1 minuut uit het stopcontact en plaatst u hem weer terug.

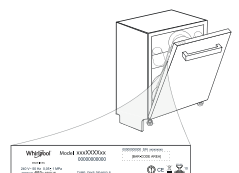
PROBLEMEN	MOGELIJKE OORZAKEN	OPLOSSINGEN
De afwasmachine pompt niet af. Weergave op het display: F7 E3 of F9 E1	Filter is verstopt met voedselresten of kalkaanslag.	Reinig het filter en ontkalk het apparaat (zie HET FILTERSYSTEEM REINIGEN en ONTKALKEN).
	Er zit een knik in de afvoerslang.	Controleer de afvoerslang (zie AANWIJZINGEN VOOR INSTALLATIE).
	De pijp van de gootsteenafvoer is geblokkeerd.	Reinig de pijp van de gootsteenafvoer.
De vaatwasser maakt veel lawaai.	Het serviesgoed rammelt tegen elkaar.	Rangschik het serviesgoed goed (zie REKKEN VULLEN).
	Er is te veel schuim aanwezig.	Het vaatwasmiddel is niet goed afgemeten of het is niet geschikt voor gebruik in afwasmachines (zie HET VAATWASMIDDELDOSEERBAKJE VULLEN). Start de actuele wascyclus opnieuw: schakel de afwasmachine UIT, vervolgens terug in, selecteer een nieuw programma, druk op START/Pauze en sluit de deur binnen 4 seconden. Voeg geen vaatwasmiddel toe.
	Het serviesgoed is niet goed gerangschikt.	Rangschik het serviesgoed goed (zie REKKEN VULLEN).
	Het filter is verstopt met voedselresten of kalkaanslag.	Reinig het filtersysteem (zie REINIGING EN ONDERHOUD).
Het vaatwerk is niet schoon.	Het serviesgoed is niet goed gerangschikt.	Rangschik het serviesgoed goed (zie REKKEN VULLEN).
	Sproeierarmen kunnen niet vrij draaien, ze worden door het serviesgoed belemmerd.	Rangschik het serviesgoed goed (zie REKKEN VULLEN). Controleer of het bovenste rek in de juiste stand staat en stel het zo nodig bij (optillen).
	Het wasprogramma is te zacht.	Selecteer een geschikt wasprogramma (zie PROGRAMMATABEL).
	Er is te veel schuim aanwezig.	Het vaatwasmiddel is niet goed afgemeten of het is niet geschikt voor gebruik in afwasmachines (zie HET VAATWASMIDDELDOSEERBAKJE VULLEN).
	De dop op het glansspoelmiddelcompartiment is niet goed afgesloten.	Zorg ervoor dat de dop van het glansspoelmiddelbakje is gesloten.
	Het filter is verstopt met voedselresten of kalkaanslag.	Reinig het filter en ontkalk het apparaat (zie HET FILTERSYSTEEM REINIGEN).
De afwasmachine vult zich niet met water. Op het scherm: H2O is verlicht; er klinkt een geluidsalarm.	Het zoutreservoir is leeg.	Vul het zoutreservoir (zie HET ZOUTRESERVOIR BIJVULLEN).
	Geen water in de watertoevoer of de kraan is gesloten.	Zorg ervoor dat er water in de watertoevoer komt en dat de kraan open staat.
	Er zit een knik in de toevoerslang.	Controleer de toevoerslang (zie INSTALLATIE). Open de deur van de vaatwasmachine, druk op de START/Pauze-toets en sluit de deur binnen 4 sec.
De vaatwasser beëindigt het programma voortijdig. Op het scherm: F8 E3	De zeef in de watertoevoerslang is verstopt; het moet gereinigd worden.	Controleer en reinig de zeef in de watertoevoerslang. Open de deur van de vaatwasmachine, druk op de START/Pauze-toets en sluit de deur binnen 4 sec.
	Filter is verstopt met voedselresten of kalkaanslag.	Reinig het filter en ontkalk het apparaat (zie HET FILTERSYSTEEM REINIGEN en ONTKALKEN).
	De afvoerslang zit te laag of hevelt naar de riolering.	Controleer of het uiteinde van de afvoerslang op de juiste hoogte is geplaatst (zie INSTALLATIE). Controleer of er naar het riool wordt geheveld en installeer zo nodig een hevelonderbreker/luchttoevoerklap.
	Er is te veel schuim aanwezig.	Het vaatwasmiddel is niet goed afgemeten of het is niet geschikt voor gebruik in afwasmachines (zie HET VAATWASMIDDELDOSEERBAKJE VULLEN).
Het serviesgoed is niet goed droog.	Lucht in de watertoevoer.	Controleer de watertoevoer op lekken of andere problemen die lucht binnenlaten.
	Er is geen spoelglansmiddel aanwezig of de dosering is te laag.	Zorg ervoor dat het spoelglansmiddelbakje gevuld is (zie HET GLANSSPOELMIDDELRESERVOIR BIJVULLEN). Met multifunctionele tabletten droogt het serviesgoed niet zo goed als wanneer er een vloeibaar spoelglansmiddel wordt gebruikt.
	Het serviesgoed is uit het apparaat gehaald nadat de deur automatisch werd geopend, maar vóór het einde van het programma.	Controleer of het programma is afgelopen voordat u het serviesgoed uit het apparaat haalt (zie DAGELIJKS GEBRUIK). Laat het serviesgoed nog 15 minuten met de deur open in de vaatwasser staan nadat het programma is afgelopen om het extra goed te laten drogen.
	Het serviesgoed is te vlak gerangschikt.	Als er water in de holtes van kopjes, mokken of kommen blijft staan, probeer het serviesgoed dan schuiner te laden (vooral in het bovenste rek) zodat het water kan weglopen voordat het drogen begint.
	Het geselecteerde programma heeft geen droogfase.	Controleer in de PROGRAMMATABEL of het geselecteerde programma een droogfase heeft. Programma's zonder de droogfase drogen minder goed. Voor een goede droging is het raadzaam een programma met droogfase te kiezen.
Er zitten blauwe strepen of blauwachtige tinten op het serviesgoed.	Het vaatwerk heeft een antiaanbaklaag of is van kunststof.	Het is normaal dat waterdruppels op dit soort materiaal achterblijven.
	De dosering van glansspoelmiddel is te hoog.	Stel de dosering lager in.
Het serviesgoed is bedekt met kalk of een witachtige film.	Zoutreservoir is leeg.	Vul het reservoir zo snel mogelijk met zout. Gebruik van het apparaat zonder zout kan de interne onderdelen beschadigen.
	De waterhardheid is te laag ingesteld.	Verhoog de instelling (zie TABEL WATERHARDHEID).
	De dop van het zoutreservoir is niet goed gesloten.	Controleer en sluit de dop van het zoutreservoir.
	Het spoelglansmiddelreservoir is leeg of de spoelglansmiddeldosering is onvoldoende.	Vul het reservoir met spoelglansmiddel en controleer de doseerinstelling (zie - HET GLANSSPOELMIDDELRESERVOIR BIJVULLEN).
Op de vaatwasser staat F8 E5	De klep is geblokkeerd of defect.	Sluit de kraan, indien mogelijk. Schakel de voeding niet uit. Bel de klantenservice.



De bedrijfsregels, standaarddocumentatie, bestellen van onderdelen en aanvullende productinformatie kunt u vinden:

- Gebruik makend van de QR-code en op onze website: docs.whirlpool.eu
- Op onze website: parts-selfservice.whirlpool.com
- Anders, **contacteer onze Klantenservice** (Het telefoonnummer staat in het garantieboekje). Wanneer u contact neemt met de Klantenservice, gelieve de codes te vermelden die op het identificatieplaatje van het apparaat staan.

De modelinformatie kan gevonden worden aan de hand van de QR-code die op het energielabel aangegeven is. Het label bevat ook de model-ID die kan worden gebruikt om het portaal van het register te raadplegen op <https://eprel.ec.europa.eu>.





OBRIGADO POR TER ADQUIRIDO UM PRODUTO WHIRLPOOL.
Para beneficiar de uma assistência mais completa,
registre o seu aparelho em: www.whirlpool.eu/register

Antes de utilizar o aparelho, leia atentamente as instruções de instalação e de segurança. Mais informações sobre o seu produto disponíveis no website: docs.whirlpool.eu



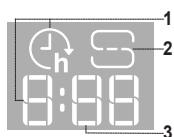
Após a instalação, certifique-se de que remove todas as peças de proteção de transporte da máquina de lavar loiça.

PAINEL DE CONTROLO



1. Botão **LIGAR-DESLIGAR/REINICIAR** com indicador luminoso
2. Botão **Programa Eco** com indicador luminoso
3. Botão **Programa Auto Intensivo** com indicador luminoso
4. Botão **Programa Auto Misto** com indicador luminoso
5. Botão **Programa Auto Rápido** com indicador luminoso
6. Botão **Programa Rápido** com indicador luminoso
7. Botão **Programa Cristais** com indicador luminoso / **Limpeza Automática** - prima 3 seg.
8. Botão **Programa Pré-Lavagem** com indicador luminoso
9. Luz indicadora do depósito de **Sal** vazio
10. Luz indicadora do depósito de **Abrilhantador** vazio
11. **Visor**
12. Indicador de **número de programa e tempo restante**
13. Indicador luminoso de **Torneira de água fechada**
14. Luz indicadora **DESCALCIFICAR**
15. Botão da **opção Power Clean®** com indicador luminoso
16. Botão da **opção Meia Carga** com indicador luminoso
17. Botão da **opção Secagem Extra** com indicador luminoso / **Definições** - prima 3 seg.
18. Botão da **opção Silencioso** com indicador luminoso
19. Botão da **opção Enxugamento Desinfetante** com indicador luminoso
20. Botão da **opção Turbo** com indicador luminoso
21. Botão da **opção Início Diferido** com indicador luminoso
22. Botão **INÍCIO/Pausa** com luz indicadora

APRESENTAR NO PISO



1. **Atrasar tempo no piso** - indicador do tempo restante até ao início do ciclo, quando a opção Início Diferido é definida
2. **Reservatório de sal vazio** - luz indicadora no piso
3. **Tempo restante no piso** - indicador do tempo restante até ao final do ciclo

PRIMEIRA UTILIZAÇÃO

MENU DE PROGRAMAÇÃO

1. Ligue a máquina premindo o botão **LIGAR/DESLIGAR** (⏻).
2. Mantenha premido o botão **Definições** (⊗) (Secagem Extra ())) durante 3 segundos até ouvir um sinal sonoro, até ouvir um sinal sonoro e o visor apresentar „SE”
3. Após um segundo, será apresentada a primeira definição disponível (letra „h”).
4. Prima os botões **programa Pré-Lavagem** (☺) / **opção Power Clean®** (POWER CLEAN) para percorrer a lista de definições disponíveis (ver tabela abaixo), de seguida, prima **INÍCIO/Pausa** (▶||) para ver e alterar o valor da definição atualmente selecionada.
5. Prima **programa Pré-Lavagem** (☺) / **opção Power Clean®** (POWER CLEAN) para alterar o valor, de seguida, prima **INÍCIO/Pausa** (▶||) para guardar o novo valor.
6. Para alterar para outra definição, repita os pontos 2 e 5.
7. Prima **LIGAR/DESLIGAR** (⏻) ou aguarde 30 segundos para sair do menu.

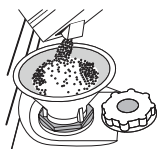
LETRA	PROGRAMAÇÃO	VALORES (Padrão - a negrito)
h	Nível de Dureza da Água (consulte “PROGRAMAÇÃO DO NÍVEL DE DUREZA DA ÁGUA” e “TABELA DE DUREZA DA ÁGUA”)	1 2 3 4 5
i	Nível do Abrilhantador (consulte “AJUSTAR A DOSAGEM DE ABRILHANTADOR”)	0 1 2 3 4 5
j	NaturalDry (consulte “OPÇÕES E FUNÇÕES”) “1” = Ligado, “0” = Desligado	1 0
k	Tempo no piso (consulte “OPÇÕES E FUNÇÕES”) “1” = Ligado, “0” = Desligado	1 0
l	Som “1” = Ligado, “0” = Desligado	1 0
m	Luzes interiores (consulte “OPÇÕES E FUNÇÕES”) “1” = Ligado, “0” = Desligado	1 0
n	Definições de fábrica Prima INÍCIO/Pausa para repor nas definições de fábrica todos os valores das programações incluídas no menu de programação.	-

ENCHER O DEPÓSITO DO SAL

A utilização de sal evita a formação de calcário na loiça e nos componentes funcionais da máquina.

O depósito de sal está situado na parte inferior da máquina de lavar loiça (por baixo do cesto inferior no lado esquerdo).

- É obrigatório que o **depósito de sal nunca esteja vazio**.
- É importante definir a dureza da água.
- O sal deve ser colocado quando o indicador luminoso **REABASTECIMENTO DO SAL** (S) estiver aceso no painel de comandos.



1. Retire o cesto inferior e desape a tampa do depósito (no sentido contrário ao dos ponteiros do relógio).
2. Posicione o funil (ver a figura) e encha o depósito de sal até ao rebordo (aprox. 0,5 kg); é normal que saia alguma água.
3. **Apenas na primeira vez em que o fizer: encha o depósito de sal com água.**

4. Retire o funil e limpe qualquer resíduo de sal da abertura. Certifique-se de que a tampa está bem apertada para que não entre detergente no depósito durante o programa de lavagem (tal pode danificar o amaciador de água de modo irreparável).

Execute um programa de cada vez, assim que completar o enchimento do depósito de sal para evitar a corrosão.

Programação do nível de dureza da água

Para que o amaciador de água funcione corretamente, é essencial que a definição de dureza da água tenha por base a dureza da água existente em sua casa. Pode obter esta informação consultando a empresa de abastecimento de água local.

A definição de fábrica é “3”. Consulte “TABELA DE DUREZA DA ÁGUA”.

Tabela de dureza da água			
Nível	°dH Graus Alemães	°fH Graus Franceses	°Clark Graus ingleses
1 (macia)	0 - 6	0 - 10	0 - 7
2 (média)	7 - 11	11 - 20	8 - 14
3 (média)	12 - 16	21 - 29	15 - 20
4 (dura)	17 - 34	30 - 60	21 - 42
5 (muito dura)	35 - 50	61 - 90	43 - 62

Para alterar, siga as instruções na secção “MENU DE PROGRAMAÇÃO”.
Se o depósito de sal não for enchido, o amaciador de água e o elemento de aquecimento podem ser danificados em resultado da acumulação de calcário.

Utilize apenas sal especificamente concebido para máquinas de lavar loiça.
Depois de colocar o sal na máquina, o indicador luminoso REABASTECIMENTO DO SAL apaga-se.

A utilização de sal é recomendada com qualquer tipo de detergente para a máquina de lavar loiça.

SISTEMA DE DESENDURECIMENTO DA ÁGUA

O descalcificador de água reduz automaticamente a dureza da água evitando, consequentemente, a acumulação de calcário no aquecedor, e contribuindo também para uma melhor eficiência de limpeza.

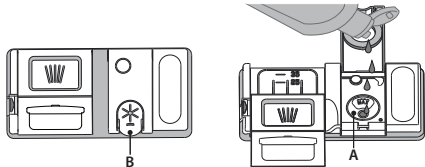
Este sistema regenera-se com sal, portanto, é necessário reabastecer o recipiente de sal sempre que este estiver vazio.

A frequência da regeneração depende da definição do nível de dureza da água - a regeneração ocorre uma vez a cada **4-6** ciclos Eco com uma definição de dureza da água de nível **3**. Durante ciclos de regeneração, irá ocorrer um enchimento adicional do sistema de gestão de água. O processo de regeneração e de gestão de água ocorre no início do ciclo com a adição de água fresca.

- Uma única regeneração consome: ~6,5 litros de água;
- Demora até 5 minutos adicionais para o ciclo;
- Consome menos de 0,005 kWh de energia.

ENCHER O DISTRIBUIDOR DE ABRILHANTADOR

O abrilhantador facilita a SECAGEM da loiça. O distribuidor de abrilhantador **A** deve ser enchido quando o indicador luminoso de **REABASTECIMENTO DO ABRILHANTADOR** (S) no painel de comandos se acender.



1. Abra o distribuidor **B** pressionando e puxando a patilha da tampa.
2. Encha cuidadosamente com abrillantador até ao entalhe de referência máximo (110 ml) da área de enchimento, evitando derramá-lo.

Se isso acontecer, limpe imediatamente com um pano seco.

3. Pressione a tampa para baixo até ouvir um clique de fecho.

NUNCA deite o abrillantador diretamente na cuba da máquina.

Ajustar a dosagem de abrillantador

Se não estiver completamente satisfeito(a) com os resultados da secagem, pode ajustar a quantidade de abrillantador utilizado.

Para alterar, siga as instruções na secção **"MENU DE PROGRAMAÇÃO"**.

Se o nível de abrillantador estiver definido para ZERO, não será distribuído abrillantador. **O indicador luminoso de POUCO ABRILHANTADOR** não se acende se o abrillantador acabar.

É possível definir um máximo de **6** níveis, de acordo com o modelo da máquina de lavar louça.

UTILIZAÇÃO DIÁRIA

1. VERIFICAR A LIGAÇÃO AO ABASTECIMENTO DE ÁGUA

Certifique-se de que a máquina de lavar louça está ligada à rede de abastecimento de água e que a torneira está aberta.

2. LIGAR A MÁQUINA DE LAVAR LOIÇA

Abra a porta e prima o botão **LIGAR/DESLIGAR**.

3. CARREGAR OS CESTOS

(consultar **"COMO COLOCAR A LOIÇA NOS CESTOS"**)

4. ENCHER O DISTRIBUIDOR DE DETERGENTE

5. SELECIONAR UM PROGRAMA E PERSONALIZAR O CICLO

Selecione o programa mais adequado de acordo com o tipo de louça e o seu nível de sujidade (ver **DESCRICÇÃO DOS PROGRAMAS**) premindo o botão **PROGRAMA** selecionado.

Selecione as opções pretendidas (ver **OPÇÕES E FUNÇÕES**). Nem todas as opções são compatíveis com todos os programas.

6. INICIAR

Inicie o ciclo de lavagem premindo o botão **INÍCIO/Pausa** (o LED acende-se) e feche a porta no espaço de 4 segundos. Quando o programa começar, é emitido um sinal sonoro. Se a porta da máquina não for fechada no espaço de 4 segundos, é emitido um sinal sonoro de aviso. Neste caso, abra a porta, prima o botão **INÍCIO/Pausa** e feche a porta novamente no espaço de 4 segundos.

7. FIM DO CICLO DE LAVAGEM

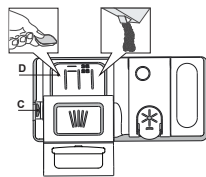
O final do ciclo de lavagem é indicado por um aviso sonoro e o visor apresenta a mensagem **END (FIM)**. Abra a porta e desligue a máquina premindo o botão **LIGAR/DESLIGAR**.

Aguarde alguns minutos antes de retirar os talheres, a fim de evitar queimaduras. Descarregue os cestos, começando pelo inferior.

- Se a louça possuir riscas azuladas, defina um nível baixo (0-3).
- Se existirem gotas de água ou marcas de calcário na louça, defina um número alto (4-5).

ENCHER O DISTRIBUIDOR DE DETERGENTE

Para abrir o distribuidor de detergente, utilize o dispositivo de abertura **C**. Coloque o detergente apenas no distribuidor seco **D**. Coloque a quantidade de detergente para pré-lavagem diretamente na cuba.



1. Para dosar o detergente, consulte as informações anteriormente mencionadas para adicionar a quantidade correta. No interior do distribuidor **D**, existem indicações que ajudam a dosar o detergente.
2. Elimine os resíduos de detergente dos rebordos do distribuidor e feche a tampa até fazer clique.
3. Feche a tampa do distribuidor de detergente puxando-a para cima até que o dispositivo de fecho esteja fixo no devido local.

O distribuidor de detergente abre-se automaticamente no momento certo, de acordo com o programa.

A utilização de detergentes inapropriados para máquinas de lavar louça poderá causar avarias ou danos no aparelho.

ALTERAR UM PROGRAMA EM CURSO

Caso tenha selecionado um programa incorreto, poderá alterá-lo desde que o mesmo tenha começado há pouco tempo. **REINICIALIZAR** a máquina: prima e mantenha premido o botão **LIGAR/DESLIGAR** durante mais de 3 segundos e a máquina irá desligar-se. **O painel de controlo irá apresentar a mensagem "0:01"**. Feche a porta e aguarde até que o ciclo de drenagem termine (cerca de 1 minuto). Abra a porta e ligue novamente a máquina utilizando o botão **LIGAR/DESLIGAR** seleccione o novo ciclo de lavagem e as opções desejadas. Inicie o ciclo premindo o botão **INÍCIO/Pausa**.

ADICIONAR LOIÇA ADICIONAL

Sem desligar a máquina, abra primeiro a porta ligeiramente para evitar salpicos de água (o LED **INÍCIO/Pausa** começa a piscar) (**Atenção! vapor quente!**) e coloque a louça no interior da máquina. Feche a porta e prima o botão **INÍCIO/Pausa** o ciclo recomeçará no ponto em que foi interrompido.

INTERRUPÇÕES ACIDENTAIS

Se a porta for aberta durante o ciclo de lavagem ou se houver um corte de energia, o ciclo é interrompido. Feche a porta e **apenas se premir o botão INÍCIO/Pausa**, o ciclo recomeçará no ponto em que foi interrompido.

SISTEMA DE GESTÃO DE ÁGUA

Esta máquina de lavar louça permite o armazenamento de até 3,2 litros de água fresca nos programas selecionados. A água é armazenada num depósito dedicado e será utilizada nos programas selecionados posteriormente. Recomenda-se a realização do ciclo de Limpeza Automática (ver **TABELA DE PROGRAMAS**) periodicamente.

CONSELHOS E SUGESTÕES

CONSELHOS

Antes de carregar os cestos, elimine todos os restos de comida da louça e esvazie os copos. **Não é necessário passar previamente a louça por água corrente.** Disponha a louça de modo à que fique firme e não vire; disponha os recipientes com as aberturas voltadas para baixo e os elementos côncavos/convexos na diagonal, a fim de permitir que a água chegue a toda a superfície e flua facilmente.

Aviso: as tampas, as pegas, os tabuleiros e as frigideiras não impedem a rotação dos braços aspersores.

Coloque os objetos pequenos no cesto dos talheres.

A louça e os tachos muito sujos devem ser colocados no cesto inferior, uma vez que nesta área a aspersão de água é mais intensa e permite obter melhores resultados de lavagem.

Depois de carregar a máquina, certifique-se de que os braços aspersores conseguem rodar livremente.

LOIÇA INADEQUADA

- Louça e talheres de madeira.
- Copos frágeis com decoração, artesanato artístico ou louça antiga. As decorações não são resistentes.
- Peças de material sintético que não resistam a temperaturas altas.
- Louça de cobre e estanho.
- Louça suja com cinza, cera, lubrificante ou tinta.

As cores das decorações de peças em vidro e as peças de alumínio/prata podem sofrer alterações e desbotar durante o processo de lavagem. Alguns tipos de vidro (por ex., cristal) podem ficar opacos após alguns ciclos de lavagem.

DANOS EM VIDRO E LOIÇA

- Coloque apenas vidros e porcelana que tenham garantia do fabricante como sendo adequados para lavagem na máquina de lavar louça.
- Utilize um detergente suave adequado para louça
- Retire os vidros e a louça da máquina de lavar louça assim que o ciclo de lavagem termine.

SUGESTÕES PARA POUPAR ENERGIA

- Se a máquina de lavar louça for utilizada de acordo com as instruções do fabricante, **um ciclo de lavagem de louça consome habitualmente MENOS ENERGIA e água do que uma lavagem manual da louça.**
- Para maximizar a eficiência da máquina de lavar louça. Se a máquina de lavar louça for utilizada de acordo com as instruções do fabricante,

um ciclo de lavagem de louça consome habitualmente MENOS ENERGIA e água do que uma lavagem manual da louça. Para maximizar a eficiência da máquina de lavar louça, **recomenda-se que inicie o ciclo de lavagem assim que a máquina esteja totalmente carregada com louça.** Ao carregar a máquina de lavar louça até à capacidade máxima indicada pelo fabricante irá contribuir para poupar energia e água. Poderá encontrar informações sobre o carregamento correto da louça na secção **"CARREGAR OS CESTOS"**. Caso a máquina de lavar louça seja carregada apenas parcialmente, recomenda-se que utilize as opções de lavagem dedicadas, se disponíveis (Meia carga/ Zone Wash/ Multizone), carregando louça apenas nos cestos selecionados para o efeito. Carregar ou sobrecarregar incorretamente a máquina de lavar louça pode aumentar o uso de recursos (como água, energia e tempo, além de aumentar o nível de ruído), reduzindo o desempenho de limpeza e de secagem.

- A pré-lavagem manual de louça causa um aumento do consumo de água e de energia, não sendo, portanto, recomendada.

HIGIENIZAÇÃO

Para evitar odores e acumulação de sedimentos na máquina de lavar louça, **execute um programa de temperatura elevada pelo menos uma vez por mês.** Utilize uma colher de chá de detergente e coloque a máquina a funcionar sem carga para efetuar a limpeza do aparelho.

DESLOCAÇÃO OU MANUTENÇÃO DA MÁQUINA DE LAVAR LOUÇA

Esta máquina de lavar louça inclui um depósito de água que pode permanecer cheio de água depois de o ciclo terminar (poderá haver fugas de água se / quando a máquina de lavar louça é inclinada). **Nota:** Antes de efetuar a manutenção ou deslocar a máquina de lavar louça, execute o ciclo de Limpeza Automática para drenar o depósito de água.

RESISTÊNCIA AO GELO

Se a máquina for colocada num local exposto ao risco de congelamento, **a mesma tem de ser drenada completamente.** Execute o ciclo Limpeza Automática para drenar o depósito de água. Feche a torneira da água e retire os tubos de alimentação e de descarga e, de seguida, faça escoar a água. **Certifique-se de que o amaciador de água está cheio de sal regenerador dissolvido no depósito de sal**, para proteger o aparelho de temperaturas até -20 °C. Se o aparelho for armazenado sob condições de geada, o mesmo deve permanecer a uma temperatura ambiente mínima de 5 °C durante, pelo menos, 24 horas antes da primeira utilização.

TABELA DE PROGRAMAS

Programa	Descrição dos programas	Fase de secagem	NaturalDry	Opções disponíveis *)	Duração do programa de lavagem (h:min)**)	Consumo de água (litros/ciclo)	Consumo de energia (kWh/ciclo)
Eco	Eco 50° - O programa Eco é ideal para lavar loiça com um nível de sujidade normal, sendo o programa mais eficiente para o efeito em termos da sua utilização combinada de energia e de água e estando em conformidade com a legislação de conceção ecológica da UE.	✓	✓		4:30	9,5	0,55
	Auto Intensivo 65° - Programa automático para loiça e tachos muito sujos.	✓	✓		2:25 - 3:10	15,5 - 24,5	1,30 - 1,70
	Auto Misto 55° - Programa automático para loiça com um nível de sujidade normal, com resíduos de alimentos secos.	✓	✓		1:20 - 3:00	7,5 - 19,5	0,75 - 1,20
	Auto Rápido 50° - Programa automático para loiça com um nível de sujidade normal e leve. Ciclo diário, que garante um desempenho de limpeza e secagem ideais num período de tempo mais curto.	✓	✓		1:00 - 1:50	7,5 - 15,5	0,70 - 1,10
	Rápido 45° - Este programa é recomendado para uma quantidade limitada de loiça com um nível de sujidade leve, sem resíduos de alimentos secos. Não inclui uma fase de secagem.	-	✓		0:30 - 0:40	10,0 - 12,0	0,55 - 0,65
	Cristais 45° - Programa para objetos frágeis e mais sensíveis a temperaturas elevadas, tais como copos de vidro e chávenas.	✓	✓		1:40 - 1:50	12,5 - 16,5	0,95 - 1,20
	Pré-Lavagem - Utilizado para refrescar a loiça a ser lavada mais tarde. Neste programa não é utilizado detergente.	-	✓		0:12	4,5	0,10
	Limpeza Automática 65° - Programa a ser utilizado para efetuar a manutenção da máquina de lavar loiça e do sistema de gestão da água, a ser efetuado apenas quando a máquina de lavar loiça estiver VAZIA e utilizando detergentes específicos concebidos para a manutenção de máquinas de lavar loiça.	-	-		1:40	11,0	1,10

Os dados do programa ECO são avaliados em condições laboratoriais de acordo com a norma europeia EN 60436:2020.

Nota para os Laboratórios de Ensaio: para informações sobre as condições do ensaio comparativo EN, solicitar ao endereço: dw_test_support@whirlpool.com

Não é necessário efetuar qualquer tipo de pré-tratamento da loiça antes de iniciar os programas.

*) Nem todas as opções podem ser utilizadas em simultâneo.

**) Os valores apresentados para todos os programas, à exceção do programa Eco, são meramente indicativos. O tempo real poderá variar dependendo de vários fatores, tais como a temperatura e a pressão da água de entrada, a temperatura ambiente, a quantidade de detergente, a quantidade e o tipo de carga, o equilíbrio da carga, as opções adicionais selecionadas e a calibragem do sensor. A calibragem do sensor pode aumentar a duração do programa até 20 min.

OPÇÕES E FUNÇÕES

As **OPÇÕES** podem ser selecionadas/desselecionadas após a escolha do programa, ao premir diretamente o botão correspondente (se disponível - o indicador acende-se) (consulte PAINEL DE CONTROLO). Se uma opção não for compatível com o programa selecionado (consulte a TABELA DE PROGRAMAS) o LED correspondente pisca rapidamente 3 vezes e é emitido um sinal sonoro. A opção não será ativada. Uma opção pode alterar a duração ou o consumo de água ou energia do programa.

POWER CLEAN® - Graças aos jatos de potência suplementar, esta opção permite uma lavagem mais intensa e rigorosa no cesto inferior, na área específica. Esta opção é recomendada para a lavagem de tachos e painéis (consulte a seção de carregamento Power Clean®).

MEIA CARGA - Se a carga de loiça a lavar for reduzida poderá ser utilizado o programa de meia carga para poupar água, eletricidade ou tempo, dependendo do programa selecionado. **Lembre-se de reduzir a quantidade de detergente.**

SECAGEM EXTRA - A temperatura mais elevada durante a lavagem final e a fase de secagem alargada permite um processo de secagem melhorado.

SILENCIOSO - Adequado para um funcionamento noturno da máquina. Esta opção pode ser usada para limitar as emissões de ruído durante as fases de lavagem. Aumentará a duração do ciclo dependendo da seleção do ciclo de base.

ENXAGUAMENTO DESINFETANTE - Esta opção pode ser usada para desinfetar loiça lavada. Isto faz aumentar a temperatura da lavagem final e adiciona uma ação antibacteriana ao programa selecionado. Ideal para lavar loiça e biberões. A porta da máquina de lavar loiça deve manter-se fechada durante todo o programa para garantir a redução dos germes.

AVISO: a loiça poderá estar extremamente quente no final de cada ciclo.

TURBO - Graças à opção TURBO, pode reduzir a duração em até 40%, dependendo do programa de base selecionado. O consumo de energia e água aumenta.

INÍCIO DIFERIDO - O início do programa poderá ser diferido, num período entre **0:30** e **24** horas.

1. Seleccione o programa e quaisquer opções pretendidas. Prima o botão INÍCIO DIFERIDO (repetidamente) para atrasar o início do programa. Ajustável entre 0:30 e 24 horas. Uma vez atingida a definição de 24 horas, prima INÍCIO DIFERIDO noutra altura para desativar a função INÍCIO DIFERIDO.

2. Prima o botão INÍCIO/Pausa e feche a porta no espaço de 4 segundos. O temporizador dará início à contagem decrescente.

3. Decorrido este tempo, o indicador luminoso apaga-se e o programa começa automaticamente.

Não é possível definir a função INÍCIO DIFERIDO depois de um programa ter começado.

TORNEIRA DE ÁGUA FECHADA - Alarme - Fica intermitente quando não está a entrar água ou quando a torneira da água está fechada.

TEMPO NO PISO - Uma luz LED projetada no piso indica o tempo que falta para o final do ciclo. O indicador luminoso apaga-se sempre que a porta é aberta. A luz apaga-se no final do ciclo. Esta função está ativa por predefinição, mas é possível desativá-la no "MENU DE PROGRAMAÇÃO".

NaturalDry - trata-se de um sistema de secagem por convecção que abre automaticamente a porta durante/após o ciclo de secagem, de forma a garantir um excelente desempenho de secagem diariamente. A porta abre-se a uma temperatura que é segura para os seus móveis de cozinha, pelo que não pode ser aberta com a opção ENXAGUAMENTO DESINFETANTE ativada. Como proteção adicional contra o vapor, é fornecida juntamente com a máquina de lavar loiça uma película de proteção especialmente concebida para o efeito. Para mais informações sobre como instalar esta película de proteção, consulte o GUIA DE INSTALAÇÃO. Esta função está ativa por predefinição, mas é possível desativá-la no "MENU DE PROGRAMAÇÃO".

LUZES INTERIORES - Com esta função ativa, os LEDs na cuba são automaticamente ligados/desligados logo que o utilizador abra/feche a porta, respetivamente. Se a porta permanecer aberta por mais de 10 minutos, os LEDs na cuba desligam-se (para voltar a ligá-los, é necessário fechar e voltar a abrir a porta). Esta função está ativa por padrão, mas é possível desativá-la no "MENU DE PROGRAMAÇÃO".

DESCALCIFICAR - Alarme - Foi detetada a acumulação de cálcio nos componentes internos da máquina. Verifique se a **Definição de Dureza da Água** está no valor correto e se **o depósito de sal tem sal** (consulte PRIMEIRA UTILIZAÇÃO), depois **utilizar um produto descalcificador** (recomenda-se a marca WPro) com o **programa Limpeza Automática**. Após uma descalcificação bem sucedida, o ícone deixará de ser exibido.

«Se le azioni di cui sopra non vengono eseguite, le prestazioni del prodotto si deteriorano. L'avviso DESCALCIFICAR inizierà a lampeggiare e l'allarme «DES» apparirà sul display. Se non si interviene, l'apparecchio consentirà di avviare solo un certo numero di cicli (indicato durante la visualizzazione dell'allarme «DES») e quindi si **BLOCCHERÀ** per evitare danni ai componenti, **rendendo disponibile solo il programma Limpeza Automática**. Eseguendo una decalcificazione completa, il prodotto si sblocca.

In caso di quantità estremamente elevate di calcare, potrebbe essere necessario eseguire la decalcificazione due volte per essere efficiente.

DETEÇÃO - Quando o sensor está ativado para detetar o nível de sujidade da loiça, é apresentada uma animação no visor (cerca de 20 min.) e a duração do ciclo é atualizada. A função de DETEÇÃO aplica-se ao nível de sujidade da loiça e está presente em todos os ciclos (exceto Eco), ajustando o programa em conformidade.

CARREGAR OS CESTOS

CAPACIDADE: 15 talheres padrão

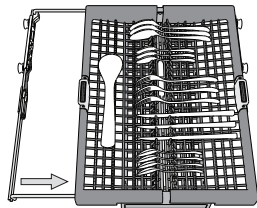
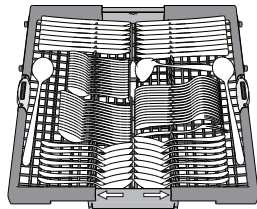
CESTO DOS TALHERES

O terceiro cesto foi concebido para colocar os talheres. Posicione os talheres conforme se mostra na figura.

Uma disposição separada dos talheres facilita a sua remoção após a lavagem e melhora o desempenho da lavagem e da secagem.

As facas e os outros utensílios afiados têm de ser colocados com as lâminas voltadas para baixo.

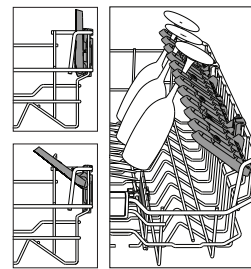
O cesto dos talheres está equipado com dois tabuleiros laterais deslizantes para aproveitar ao máximo a altura do espaço em baixo e permitir a colocação de objectos altos no cesto superior.



Abas dobráveis com posição ajustável

As abas laterais podem ser dobradas ou desdobradas para otimizar a disposição da loiça dentro do cesto. Os copos de vinho podem ser posicionados em segurança nas abas dobráveis, introduzindo o pé de cada copo nas ranhuras correspondentes. Conforme o modelo:

- para desdobrar as abas, é necessário deslizá-las para cima e rodá-las ou soltá-las dos encaixes e puxá-las para baixo.
- para dobrar as abas, é necessário rodá-las e deslizá-las para baixo ou puxá-las para cima e encaixá-las nos respectivos encaixes.

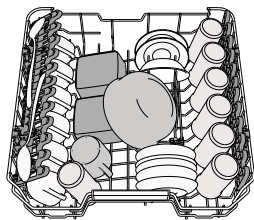


CESTO SUPERIOR

Carregue neste cesto a loiça frágil e leve: copos, chávenas, pires, tigelas.

O cesto superior tem suportes rebatíveis, que podem ser utilizados numa posição vertical para colocar pires de chá/sobremesa ou numa posição inferior, para colocar tigelas e recipientes.

(exemplo de carga no cesto superior)

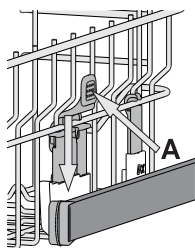


Ajustar a altura do cesto superior

É possível ajustar a altura do cesto superior: utilize uma posição mais elevada para colocar loiça mais volumosa no cesto inferior e uma posição mais baixa para aproveitar ao máximo os suportes rebatíveis, criando mais espaço superior e evitando o choque com os objetos colocados no cesto inferior.

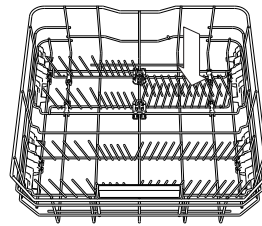
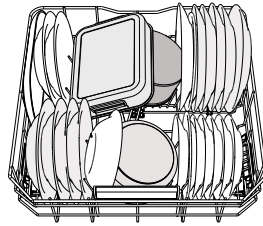
O cesto superior está equipado com um **Ajuste de altura do cesto superior** (consulte a figura); sem pressionar as alavancas, eleve o cesto segurando-o pelas partes laterais, logo que o cesto fique estável na posição superior. Para voltar à posição inferior, pressione as alavancas **A** existentes nas partes laterais do cesto e desloque-o para baixo.

Recomendamos vivamente que não ajuste a altura do cesto quando este está carregado. NUNCA eleve ou baixe o cesto apenas de um lado.



CESTO INFERIOR

Para tachos, tampas, pratos, saladeiras, talheres, etc.. Os pratos e as tampas grandes devem ser colocados dos lados, a fim de evitar interferências com o braço aspersor. O cesto inferior tem suportes rebatíveis, que podem ser utilizados numa posição vertical para colocar pratos ou numa posição horizontal (inferior) para colocar facilmente tachos ou saladeiras.



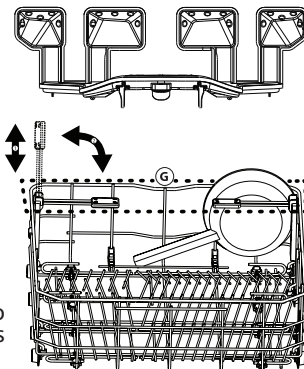
(exemplo de carga para o cesto inferior)

POWER CLEAN®

A função Power Clean® utiliza jatos de água especiais situados na parte traseira da cuba para lavar os objetos mais sujos com maior intensidade. O cesto inferior tem uma zona de espaço adicional, um suporte especial de puxar na parte traseira do cesto que pode ser utilizado para o suporte de frigideiras ou para os tabuleiros de forno na posição vertical, o que permite que ocupem menos espaço. Colocando os tachos/panelas voltados para o componente Power Clean®, ative a função **POWER CLEAN®** no painel.

How to use Power Clean®:

1. Ajuste a área Power Clean® (**G**) dobrando para baixo os suportes traseiros dos pratos para introduzir tachos.
2. Introduza os tachos e as panelas inclinados na vertical na área Power Clean®. Os tachos têm de estar inclinados na direção dos jatos de água.



LIMPEZA E MANUTENÇÃO

LIMPAR O CONJUNTO DE FILTROS

Limpe regularmente o conjunto de filtros para que os filtros não fiquem entupidos e para que a água residual flua corretamente.

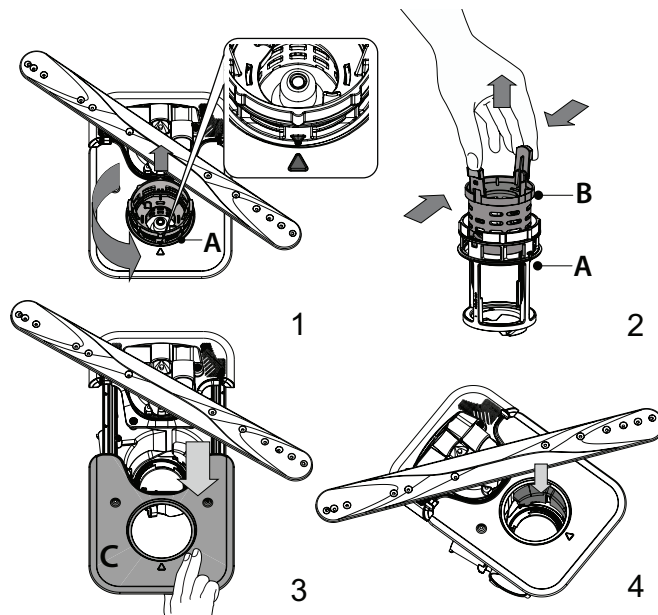
Ao utilizar a máquina de lavar loiça com filtros obstruídos ou objetos estranhos dentro do sistema de filtragem ou nos pulverizadores poderá causar o mau funcionamento da unidade, resultando numa perda de desempenho, num funcionamento ruidoso ou numa maior utilização de recursos.

O conjunto de filtros é composto por três filtros que eliminam os restos de comida da água de lavagem e fazem recircular a água: para obter os melhores resultados de lavagem é necessário limpá-los. **A máquina de lavar loiça não pode ser utilizada sem filtros ou com os filtros soltos.**

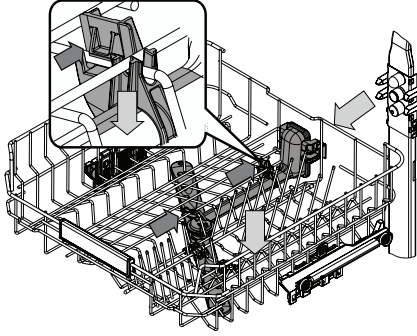
Pelo menos uma vez por mês ou após cada 30 ciclos, verifique o conjunto de filtros e, se necessário, limpe-os muito bem em água corrente, utilizando uma escova não metálica e seguindo as instruções abaixo:

1. Rode o filtro cilíndrico **A** no sentido contrário ao dos ponteiros do relógio e retire-o (Fig. 1). **É importante que, ao reinstalar o filtro, os dois triângulos apresentados na ampliação se encontrem.**
2. Retire a parte interna do filtro **B** exercendo uma ligeira pressão nas abas laterais (Fig. 2).
3. Faça deslizar para fora o filtro de aço inoxidável **C** (Fig. 3).
4. Caso encontre quaisquer objetos estranhos (tais como vidros e porcelana partidos, ossos de comida, sementes de frutos, etc.) **remova-os cuidadosamente.**
5. Inspeção o coletor e retire quaisquer restos de comida. **NUNCA RETIRE** a proteção da bomba do ciclo de lavagem (apresentado por uma seta) (Fig. 4).

Depois de limpar os filtros, volte a colocar o conjunto de filtros e fixe-o corretamente na devida posição; isto é essencial para manter um funcionamento eficaz da máquina de lavar loiça.

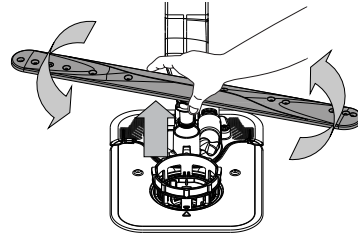


LIMPAR OS BRAÇOS ASPERSORES

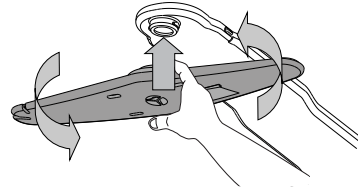


Por vezes, os restos de comida podem acumular-se nos braços aspersores e bloquear os orifícios utilizados para pulverizar a água. Assim, recomenda-se que verifique periodicamente os braços e que os limpe com uma escova pequena não metálica.

Para remover o aspersor superior, deverá removê-lo juntamente com o coletor.



É possível remover o braço aspersor inferior puxando-o para cima e rodando-o no sentido contrário ao dos ponteiros do relógio. A montagem do braço aspersor é feita puxando-o para baixo e rodando-o no sentido dos ponteiros do relógio.

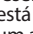


É possível remover o braço aspersor superior pressionando-o para cima e depois rodando-o no sentido contrário ao dos ponteiros do relógio. A montagem do braço aspersor é feita puxando-o para cima e rodando-o no sentido dos ponteiros do relógio.

RESOLUÇÃO DE PROBLEMAS

Caso a sua máquina de lavar louça não funcione corretamente, verifique se consegue resolver o problema através das soluções apresentadas na lista que se segue. Para outros erros ou problemas, entre em contato com o Serviço de Pós-venda Autorizado, cujos detalhes de contacto podem ser encontrados no livrete da garantia. As peças sobressalentes estarão disponíveis por um período de até 7 ou até 10 anos, de acordo com os requisitos específicos do Regulamento.

PROBLEMAS	CAUSAS POSSÍVEIS	SOLUÇÕES
O indicador de sal está aceso	O reservatório do sal está vazio.	Encha o reservatório com sal (veja mais informações - consulte ENCHER O DEPÓSITO DO SAL). Verifique a definição de dureza da água, se necessário - consulte TABELA DE DUREZA DA ÁGUA.
O indicador do sal está a piscar.	Reservatório do sal está vazio.	Encha o reservatório com sal assim que possível. A colocação da máquina em funcionamento sem sal poderá causar danos aos seus componentes internos.
Luz indicadora de abrillantador acesa ou a piscar intermitentemente	O distribuidor do abrillantador está vazio. (Após encher o depósito, o indicador do abrillantador poderá permanecer aceso durante um curto período de tempo).	Encha o distribuidor com abrillantador (veja mais informações - consulte ENCHER O DISTRIBUIDOR DE ABRILHANTADOR).
O indicador de descalcificação está aceso ou a piscar intermitentemente; O alarme «dES» é apresentado.	Existe acumulação de calcário nos componentes internos do aparelho.	Descalcifique imediatamente o aparelho utilizando o programa Limpeza Automática e um produto de descalcificação disponível no mercado (consulte OPÇÕES E FUNÇÕES). Encha o depósito com sal. Verifique a definição de dureza da água. Se o aparelho não for descalcificado, deixará de funcionar.
A máquina de lavar louça não começa a funcionar ou não responde aos comandos.	A máquina não está ligada corretamente.	Ligue a ficha à tomada.
	Corte de energia.	Por motivos de segurança, a máquina de lavar louça não se liga automaticamente após um corte de energia. Abra a porta da máquina de lavar louça, prima o botão INÍCIO/Pausa e feche a porta no espaço de 4 segundos.
	A porta da máquina de lavar louça não está fechada. O pino NaturalDry não está empurrado para dentro.	Empurre vigorosamente a porta até ouvir um "clique".
	A abertura da porta durante mais de 4 segundos leva à interrupção do ciclo.	Prima o botão INÍCIO/Pausa e feche a porta no espaço de 4 segundos.
A máquina de lavar louça não escoa a água. Visualização no visor: F7 E3 ou F9 E1.	O painel de controlo não responde ou a mensagem F6 E1 é apresentada.	Desligue a máquina premindo o botão LIGAR-DESLIGAR/Reiniciar, volte a ligá-la passado cerca de um minuto e reinicie o programa. Se o problema persistir, desligue o aparelho durante 1 minuto e ligue-o novamente.
	O filtro está obstruído com resíduos de alimentos ou calcário.	Limpe o filtro e descalcifique o aparelho (ver LIMPAR O CONJUNTO DE FILTROS e INSTRUÇÕES DE DESCALCIFICAÇÃO).
	Mangueira de drenagem dobrada.	Verifique a mangueira de drenagem (ver INSTRUÇÕES DE INSTALAÇÃO).
A máquina de lavar louça faz um ruído excessivo.	O tubo de escoamento do lava-loiça está obstruído.	Limpe o tubo de escoamento do lava-loiça.
	A loiça está a chocalhar uma contra a outra.	Posicione a loiça corretamente (ver CARREGAR OS CESTOS).
	Existe uma quantidade excessiva de loiça.	O detergente não foi doseado corretamente ou não é adequado para utilização em máquinas de lavar louça (ver ENCHIMENTO DO DISTRIBUIDOR DE DETERGENTE). Reinicie o ciclo atual desligando a máquina de lavar louça e, em seguida, volte a ligá-la. Selecione um novo programa, prima INÍCIO/Pausa e feche a porta dentro de 4 segundos. Não adicione mais detergente.
A loiça não fica limpa.	A loiça foi disposta de forma incorreta.	Disponha a loiça corretamente (ver CARREGAR OS CESTOS).
	Os braços aspersores não conseguem rodar livremente, sendo impedidos pela loiça.	Disponha a loiça corretamente (ver CARREGAR OS CESTOS). Verifique se o cesto superior está na posição correta e ajuste-o (elevar) se necessário.
	O ciclo de lavagem é demasiado suave.	Selecione um ciclo de lavagem apropriado (ver TABELA DE PROGRAMAS).
	Existe uma quantidade excessiva de loiça.	O detergente não foi doseado corretamente ou não é adequado para utilização em máquinas de lavar louça (ver ENCHER O DISTRIBUIDOR DE DETERGENTE).
	A tampa do depósito de abrillantador não está bem fechada.	Certifique-se de que a tampa do distribuidor de abrillantador está fechada.
	O filtro está obstruído com resíduos de alimentos ou calcário.	Limpe o filtro e descalcifique o aparelho (ver LIMPAR O CONJUNTO DE FILTROS).
O reservatório do sal está vazio.	Encha o depósito de sal (ver ENCHER O DEPÓSITO DO SAL).	

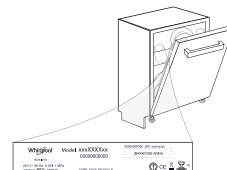
PROBLEMAS	CAUSAS POSSÍVEIS	SOLUÇÕES
„A máquina de lavar loiça não se enche de água. O visor apresenta: H2O e  está aceso; é emitido um alarme sonoro.”	Não há abastecimento de água ou a torneira está fechada.	Certifique-se de que há água ou que a torneira está aberta.
	A mangueira de entrada de água está dobrada.	Verifique a mangueira de entrada de água (<i>ver INSTALAÇÃO</i>). Abra a porta da máquina de lavar loiça, prima o botão INÍCIO/Pausa e feche a porta no espaço de 4 segundos.
	O filtro da mangueira de entrada de água está obstruído; é necessário limpá-lo.	Verifique e limpe o filtro da mangueira de entrada de água. Abra a porta da máquina de lavar loiça, prima o botão INÍCIO/Pausa e feche a porta no espaço de 4 segundos.
A máquina de lavar loiça termina o ciclo prematuramente. O visor apresenta: F8 E3 .	O filtro está obstruído com resíduos de alimentos ou calcário.	Limpe o filtro e descalcifique o aparelho (<i>ver LIMPAR O CONJUNTO DE FILTROS e INSTRUÇÕES DE DESCALCIFICAÇÃO</i>).
	Mangueira de drenagem numa posição demasiado baixa ou com o sifão no sistema de esgotos doméstico.	Verifique se a extremidade da mangueira de drenagem está colocada à altura correta (<i>ver INSTALAÇÃO</i>). Verifique o sifão no sistema de esgotos doméstico e instale um disjuntor de sifão/válvula de admissão de ar se necessário.
	Existe uma quantidade excessiva de loiça.	O detergente não foi doseado corretamente ou não é adequado para utilização em máquinas de lavar loiça (<i>ver ENCHER O DISTRIBUIDOR DE DETERGENTE</i>).
	Existe ar no abastecimento de água.	Verifique se existem fugas ou quaisquer outros problemas no abastecimento de água que estejam a causar a entrada de ar.
A secagem da loiça não é efetuada corretamente.	Não existe abrillantador ou a dosagem é muito baixa.	Certifique-se de que o distribuidor do abrillantador está cheia (<i>ENCHER O DISTRIBUIDOR DE ABRILHANTADOR</i>). A utilização de apenas pastilhas multifunções não proporciona efeitos de secagem tão bons como a utilização de abrillantador líquido.
	A loiça foi retirada da máquina após a abertura automática da porta, mas antes do término efetivo do ciclo.	Certifique-se de que o ciclo terminou antes de começar a retirar a loiça da máquina (<i>ver UTILIZAÇÃO DIÁRIA</i>). Para resultados de secagem ainda melhores, é recomendável deixar a loiça dentro da máquina com a porta aberta durante 15 minutos após o término do ciclo.
	A loiça fica posicionada demasiadamente na horizontal.	Se notar poças de água no interior das cavidades de xícaras, canecas ou tigelas, tente carregar a loiça (principalmente no cesto superior) proporcionando uma maior inclinação, de forma a que escorra uma maior quantidade de água antes de iniciar a secagem.
	O ciclo selecionado não possui a fase de secagem.	Na <i>TABELA DE PROGRAMAS</i> , verifique se o programa selecionado dispõe de fase de secagem. Um ciclo sem fase de secagem pode não fornecer a eficiência de secagem desejada, portanto, é recomendável alterar a seleção do ciclo para um que possua uma fase de secagem.
	A loiça é antiaderente ou de plástico.	É normal que permaneçam algumas gotas de água neste tipo de material.
Os pratos e copos ficam com riscas azuis ou com um tom azulado.	A dose de abrillantador é excessiva.	Ajuste a dosagem para um nível mais baixo.
Os pratos e os copos apresentam calcário ou uma película esbranquiçada.	Reservatório do sal está vazio.	Encha o reservatório com sal assim que possível. A colocação da máquina em funcionamento sem sal poderá causar danos aos seus componentes internos.
	A definição da dureza da água está demasiado baixa.	Aumente a definição (<i>ver TABELA DE DUREZA DA ÁGUA</i>).
	A tampa do depósito de sal não está bem fechada.	Verifique e feche a tampa do depósito do sal.
	O depósito do abrillantador está vazio ou a dosagem do abrillantador é insuficiente.	Encha o distribuidor com abrillantador e verifique as definições de dosagem (<i>ver ENCHER O DISTRIBUIDOR DE ABRILHANTADOR</i>).
A máquina de lavar loiça apresenta a mensagem F8 E5 .	A válvula está bloqueada ou avariada.	Feche a torneira da água, se possível. Não desligue a fonte de alimentação. Contacte a Assistência.



As políticas da empresa, documentação padrão, encomenda de peças sobresselentes e informações adicionais sobre o produto poderão ser consultadas em:

- Utilizando o código QR e visitando o nosso website: docs.whirlpool.eu
- Visitando o nosso website: parts-selfservice.whirlpool.com
- Em alternativa, **contacte o nosso Serviço Pós-venda** (através do número de telefone contido no livrete da garantia). Ao contactar o nosso Serviço Pós-Venda, indique os códigos fornecidos na placa de identificação do seu produto.

A informação relativa ao modelo pode ser obtida utilizando o código QR indicado na etiqueta energética. A etiqueta inclui também o identificador do modelo, que pode ser utilizado para consultar o portal de registo em <https://eprel.ec.europa.eu>





VĂ MULȚUMIM CĂ AȚI ACHIZIȚIONAT UN PRODUS WHIRLPOOL. Pentru a beneficia de servicii complete de asistență, vă rugăm să vă înregistrați aparatul pe: www.whirlpool.eu/register

PANOUL DE COMANDĂ



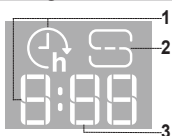
1. Buton **PORNIRE/OPRIRE/Resetare** cu indicator luminos
2. Butonul **programului Eco** cu indicator luminos
3. Butonul **programului Auto Intensiv** cu indicator luminos
4. Butonul **programului Auto Amestec** cu indicator luminos
5. Butonul **programului Auto Rapid** cu indicator luminos
6. Butonul **programului Rapid** cu indicator luminos
7. Butonul **programului Cristale** cu indicator luminos/ **Programul Autocurățare** - apăsați 3 sec.
8. Butonul **programului Prespălare** cu indicator luminos
9. **Prewash program** button with indicator light
10. Indicator luminos al compartimentului pentru **Săruri gol**
11. Indicator luminos al compartimentului pentru agent de **Clătire gol**

Înainte de a utiliza aparatul, citiți cu atenție instrucțiunile privind siguranța și de instalare. Mai multe informații despre produs sunt disponibile pe site-ul web: docs.whirlpool.eu

După instalare, nu uitați să îndepărtați toate piesele de protecție pentru transport ale mașinii de spălat vase.

12. Afișaj
13. Indicator număr program și timp rămas
14. Indicator luminos pentru **Robinet de apă închis**
15. Indicator luminos **DECALCIFIERE**
16. Butonul **opțiunii Power Clean** cu indicator luminos
17. Butonul **opțiunii Încărcare pe jumătate** cu indicator luminos
18. Butonul **opțiunii Uscare Extra** cu indicator luminos/ **Setări** - apăsați 3 sec.
19. Butonul **opțiunii Silențios** cu indicator luminos
20. Butonul **opțiunii Clătire igienizantă** cu indicator luminos
21. Butonul **opțiunii Turbo** cu indicator luminos
22. Butonul **opțiunii Întârziere** cu indicator luminos
23. Butonul **PORNIRE/Pauză** cu indicator luminos

AFIȘARE PE PARDOSEALĂ



1. **Durată de temporizare afișată pe pardoseală** - indicatorul timpului rămas până la începerea ciclului, atunci când este setată opțiunea Întârziere
2. **Compartiment pentru săruri gol** - indicatorul luminos proiectat pe pardoseală
3. **Timp rămas afișat pe pardoseală** - indicatorul timpului rămas până la finalul ciclului

PRIMA UTILIZARE

MENIUL DE SETĂRI

1. Porniți aparatul apăsând pe butonul **PORNIRE/OPRIRE**.
2. Mențineți apăsat butonul **Setări** (Uscare Extra) timp de 3 secunde, până când auziți un semnal sonor și pe afișaj apare mesajul „**SET**”.
3. După o secundă va fi afișată prima setare disponibilă (litera „h”).
4. Apăsați pe **programului Prespălare** / **opțiunii Power Clean** pentru a derula lista de setări disponibile (consultați tabelul de mai jos), apoi apăsați pe **PORNIRE/Pauză** pentru a vizualiza și modifica valoarea setării selectate în mod actual.
5. Apăsați pe **programului Prespălare** / **opțiunii Power Clean** pentru a modifica valoarea, apoi apăsați pe **PORNIRE/Pauză** pentru a salva noua valoare.
6. Pentru a modifica o altă setare, repetați punctele 2 și 5.
7. Apăsați pe **PORNIRE/OPRIRE** sau așteptați 30 de secunde pentru a ieși din meniu.

LITERĂ	SETARE	VALORI (Implicit - cu caractere albine)
h	Nivel de duritate a apei (consultați „ SETAREA DURITĂȚII APEI ” și „ TABELUL DURITĂȚII APEI ”)	1 2 3 4 5
h	Nivelul agentului de clătire (consultați „ REGLAREA DOZEI DE AGENT DE CLĂTIRE ”)	0 1 2 3 4 5
h	NaturalDry (consultați „ OPȚIUNI ȘI FUNCȚII ”) „1” = Pornit, „0” = Oprit	1 0
h	Durată afișată pe pardoseală (consultați „ OPȚIUNI ȘI FUNCȚII ”) „1” = Pornit, „0” = Oprit	1 0
h	Sunet „1” = Pornit, „0” = Oprit	1 0
h	Iluminare interioară (consultați „ OPȚIUNI ȘI FUNCȚII ”) „1” = Pornit, „0” = Oprit	1 0
h	Setări din fabrică Apăsați pe PORNIRE/PAUZĂ pentru a restabili la setările implicite din fabrică toate valorile setărilor incluse în meniul de setări.	-

UMPLEREA COMPARTIMENTULUI PENTRU SĂRURI

Utilizarea sărurilor previne formarea DEPUNERILOR DE CALCAR pe vase și pe componentele funcționale ale mașinii. Compartimentul pentru săruri este amplasat în partea inferioară a mașinii de spălat vase (sub raftul inferior din stânga).

- Este obligatoriu ca **compartimentul pentru săruri să nu fie niciodată gol**.
- Este important să setați duritatea apei.
- Trebuie să alimentați cu săruri atunci când indicatorul luminos NIVELUL SĂRURILOR de pe panoul de comandă este aprins.



1. Demontați raftul inferior și desfiletați capacul compartimentului (în sens antiorar).
2. Poziționați pâlnia (consultați figura) și umpleți compartimentul pentru săruri până la margine (aproximativ 0,5 kg); este perfect normal să curgă puțină apă în afară.
3. Numai la prima operațiune de acest fel: umpleți compartimentul pentru săruri cu apă.

4. Scoateți pâlnia și ștergeți resturile de săruri de pe deschidere.

Asigurați-vă că este înfiletat bine capacul, astfel încât să nu intre detergent în compartiment în timpul programului de spălare (acest lucru poate avaria iremediabil instalația de dedurizare a apei).

Rulați de fiecare dată un program imediat ce finalizați reumplerea compartimentului pentru săruri pentru a evita coroziunea.

Setarea durității apei

Pentru a permite instalației de dedurizare a apei să funcționeze perfect, este esențial ca setarea durității apei să se bazeze pe nivelul de duritate a apei din locuința dumneavoastră. Aceste informații pot fi obținute de la furnizorul local de apă. Setarea din fabrică este „3”. Consultați **TABELUL DURITĂȚII APEI**. Pentru a modifica, urmați instrucțiunile din secțiunea „**MENIUL DE SETĂRI**”.

Tabelul durității apei			
Nivel	°dH Grade germane	°fH Grade franceze	°Clark Grade engleze
1 (moale)	0 - 6	0 - 10	0 - 7
2 (medie)	7 - 11	11 - 20	8 - 14
3 (normală)	12 - 16	21 - 29	15 - 20
4 (dură)	17 - 34	30 - 60	21 - 42
5 (foarte dură)	35 - 50	61 - 90	43 - 62

Utilizați numai săruri concepute special pentru mașini de spălat vase.

După ce ați introdus sărurile în mașină, indicatorul luminos de nivel al sărurilor se stinge.

Dacă compartimentul pentru săruri nu este umplut, este posibilă deteriorarea instalației de dedurizare a apei și a rezistenței din cauza acumulării depunerilor.

Se recomandă utilizarea sării indiferent de tipul de detergent pentru mașina de spălat vase.

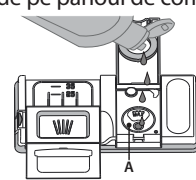
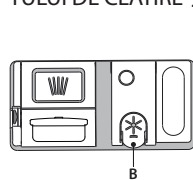
SISTEMUL DE DEDURIZARE A APEI

Sistemul de dedurizare a apei reduce automat duritatea apei, împiedicând astfel acumularea de depuneri pe încălzitor și contribuind, de asemenea, la creșterea eficienței de curățare. **Acest sistem se regenerează singur cu sare, de aceea este necesar să reumpleți recipientul pentru sare când este gol.** Frecvența regenerării depinde de setarea nivelului durității apei - regenerarea are loc odată la 4-6 cicluri Eco cu nivelul durității apei setat la 3. În timpul funcționării cu regenerare, va avea loc o umplere suplimentară a sistemului de gestionare a apei. Procesul de regenerare și de gestionare a apei se activează la începutul ciclului, cu o cantitate suplimentară de apă proaspătă.

- Procesul de regenerare implică următorul consum: ~6,5 L de apă;
- Adaugă până la 5 minute suplimentare pe ciclu;
- Consumul de energie este sub 0,005 kWh.

UMPLEREA DOZATORULUI PENTRU AGENT DE CLĂTIRE

Agentul de clătire facilitează uscarea vaselor. Dozatorul pentru agentul de clătire **A** trebuie umplut atunci când indicatorul luminos de NIVEL AL AGENTULUI DE CLĂTIRE de pe panoul de comandă este aprins.



1. Deschideți dozatorul **B** apăsând și trăgând în sus clapeta de pe capac.
2. Introduceți cu grijă agentul de clătire până la marginea de referință maxim (110 ml) al spațiului de umplere - evitați scurgerile. În caz contrar, curățați imediat folosind o lavetă uscată.

ÎNCĂRCAREA RAFTURILOR

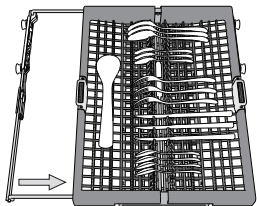
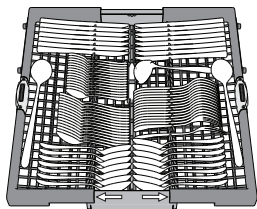
CAPACITATE: 15 seturi de vase standard

COȘUL PENTRU TACĂMURI

Al treilea nivel a fost conceput pentru depozitarea tacămurilor. Aranjați tacămurile conform indicațiilor din figură. Aranjarea separată a tacămurilor permite scoaterea cu ușurință a acestora după spălare și optimiză performanțele de spălare și uscare.

Cuțitele și alte ustensile cu margini ascuțite trebuie poziționate cu lamele în jos.

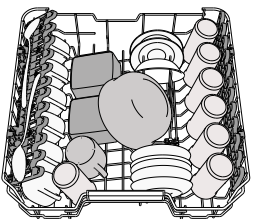
Coșul pentru tacămuri este dotat cu două tăvi laterale culisante pentru a profita din plin de înălțimea spațiului de dedesubt, permițând astfel încărcarea articolelor înalte pe raftul superior.



COȘUL SUPERIOR

Încărcați vasele delicate și ușoare: pahare, cești, farfuriile, boluri pentru salată puțin adânci. Raftul superior este prevăzut cu suporturi rabatabile care pot fi utilizate în poziție verticală pentru aranjarea farfuriilor pentru cești de ceai/dessert, sau în poziție mai joasă pentru a introduce castroane și caserole.

(exemplu de încărcare pentru raftul superior)



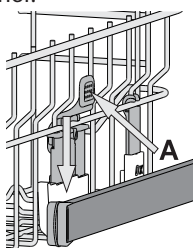
Reglarea înălțimii raftului superior

Înălțimea raftului superior poate fi reglată: în poziție înaltă pentru a introduce vesela voluminoasă pe raftul inferior și în poziție joasă pentru a profita din plin de suporturile rabatabile, creând mai mult spațiu în partea superioară și evitând ciocnirea cu articolele de pe raftul inferior.

Raftul superior este prevăzut cu un **mecanism de reglare a înălțimii raftului superior** (consultați figura); fără a apăsa pe manete, ridicați în sus ținând pur și simplu de părțile laterale ale raftului, și fixați imediat ce raftul este stabil în poziția de sus.

Pentru a reveni în poziția inferioară, apăsați pe manetele **A** din părțile laterale ale raftului și deplasați-l în jos. **Vă recomandăm cu insistență să nu reglați înălțimea raftului atunci când acesta este încărcat.**

Nu ridicați și nu coborâți NICIODATĂ raftul numai pe o singură parte.

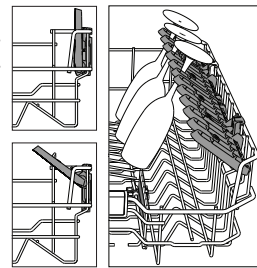


Clapete rabatabile cu poziție reglabilă

Clapetele rabatabile laterale pot fi pliate sau depliate pentru a optimiza aranjarea veselei pe raft. Paharele pentru vin pot fi așezate în siguranță pe clapetele rabatabile, introducând picioarele acestora în fantele corespunzătoare.

În funcție de model:

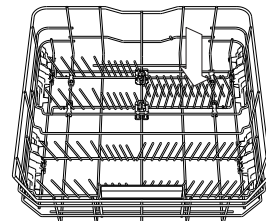
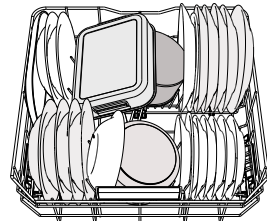
- pentru a deplia clapetele, este necesar să le glisați în sus și să le rotiți sau să le eliberați din clemenele de fixare, trăgându-le în jos.
- pentru a plia clapetele, este necesar să le rotiți și să le glisați în jos sau să le trageți în sus și să le fixați pe poziție.



COȘUL INFERIOR

Pentru oale, capace, farfurii, boluri pentru salată, tacămuri etc. În mod ideal, farfuriile și capacele mari trebuie amplasate în părțile laterale, pentru a se evita interferențele cu brațul de pulverizare.

Raftul inferior este prevăzut cu suporturi rabatabile care pot fi utilizate în poziție verticală pentru aranjarea farfuriilor sau în poziție orizontală (joasă) pentru încărcarea cu ușurință a cratițelor și bolurilor pentru salată.



(exemplu de încărcare pentru raftul inferior)

POWER CLEAN®

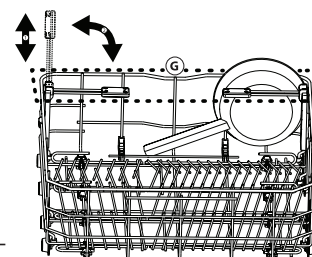
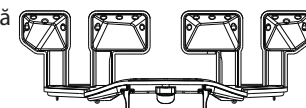
Power Clean® folosește jeturile speciale de apă din partea posterioară a cavității pentru a spăla intensiv articolele foarte murdare.

Raftul inferior este prevăzut cu o **zonă de economisire a spațiului**, un suport special care se trage din partea din spate a raftului și care poate fi utilizat pentru a susține tigăile sau tăvile de copt în poziție verticală, astfel ocupându-se mai puțin spațiu.

Poziționând oalele/cratițele cu fața spre componenta Power Clean®, vă rugăm să activați **POWER CLEAN** pe panou

Utilizarea Power Clean®:

1. Reglați zona Power Clean® (G) rabatănd în jos suporturile din spate pentru farfurii, pentru a încărca oalele.
2. Încărcați oalele și cratițele înclinate pe verticală în zona Power Clean®. Oalele trebuie să fie înclinate spre jeturile intensive de apă.



CURĂȚAREA ȘI ÎNTREȚINEREA

CURĂȚAREA ANSAMBLULUI DE FILTRE

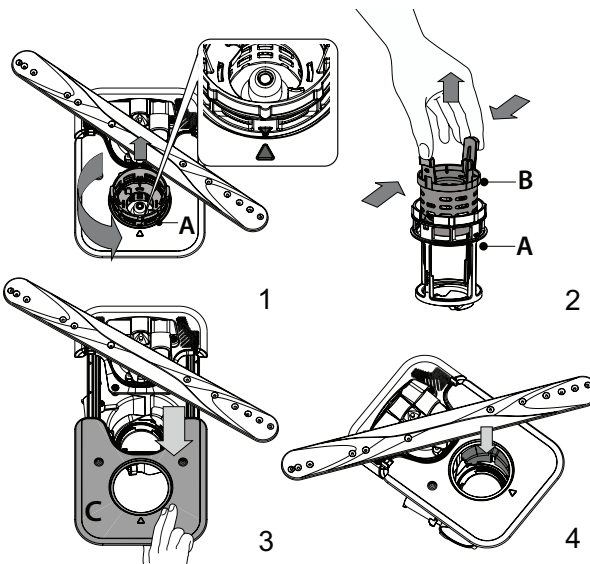
Curățați în mod regulat ansamblul de filtre astfel încât filtrele să nu se înfunde și apa reziduală să fie evacuată în mod corespunzător. Utilizarea mașinii de spălat vase cu filtre înfundate sau obiecte străine în interiorul sistemului de filtrare sau al brațelor de pulverizare poate provoca defecțiuni ale unității, conducând la scăderea performanței, creșterea nivelului de zgomot sau utilizarea mai multor resurse. Ansamblul de filtre este alcătuit din trei filtre care îndepărtează resturile de alimente din apa de spălare, permițând apoi recircularea acesteia.

Mașina de spălat vase nu trebuie utilizată fără filtre sau dacă un filtru este desprins.

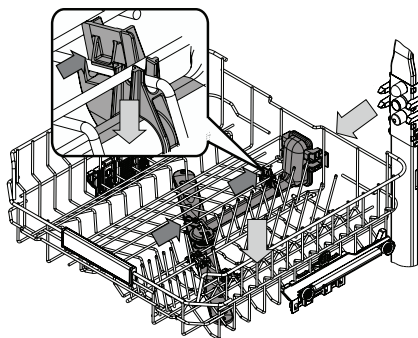
Cel puțin o dată pe lună sau după fiecare 30 de cicluri, verificați ansamblul de filtre și, dacă este necesar, curățați-l temeinic sub jet de apă curentă, folosind o perie nemetalică și respectând instrucțiunile de mai jos:

1. Rotiți filtrul cilindric **A** în sens antiorar și scoateți-l afară (Fig 1). **La reinstalarea filtrului este important ca cele două triunghiuri indicate pe imaginea mărită să se întâlnească.**
2. Demontați filtrul în formă de ceașcă **B** apăsând ușor pe clapetele laterale (Fig 2).
3. Culisați în afară placa din oțel inoxidabil a filtrului **C** (Fig 3).
4. În cazul în care găsiți obiecte străine (cum ar fi sticlă spartă, porțelan, oase, semințe de fructe etc.), **vă rugăm să le îndepărtați cu atenție.**
5. Examinați obturațiile și îndepărtați resturile de alimente. **NU DEMONTAȚI NICIODATĂ protecția pompei acționate în timpul ciclului de spălare (indicate de o săgeată) (Fig 4).**

După curățarea filtrelor, montați la loc ansamblul de filtre și fixați-l în poziția corectă; acest lucru este esențial pentru menținerea funcționării eficiente a mașinii de spălat vase.

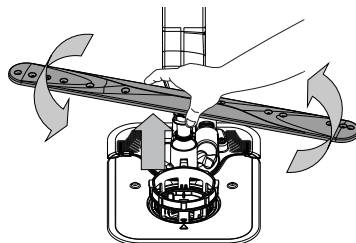


CURĂȚAREA BRAȚELOR DE PULVERIZARE

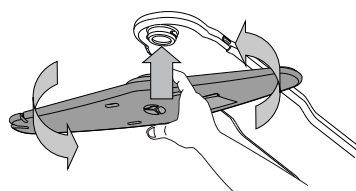


Ocazional, resturile de alimente se pot usca pe brațele de pulverizare și pot bloca orificiile de pulverizare a apei. Prin urmare, se recomandă să verificați brațele din când în când și să le curățați folosind o perie nemetalică mică.

Pentru a scoate brațul de pulverizare superior, trebuie să-l demontați împreună cu colectorul.



Brațul de pulverizare inferior poate fi demontat prin tragere în sus și rotire în sens antiorar. Remontarea brațului de pulverizare se realizează prin tragere în jos și rotire în sens orar.



Brațul de pulverizare superior poate fi demontat prin împingere în sus și apoi rotindu-l în sens antiorar. Remontarea brațului de pulverizare se realizează prin tragere în sus și rotire în sens orar.

REMEDIEREA PROBLEMELOR

În cazul în care mașina de spălat vase nu funcționează corect, verificați dacă problema poate fi remediată parcurgând lista de mai jos. Pentru alte erori sau probleme, vă rugăm să contactați serviciul de asistență tehnică post-vânzare autorizat, ale cărui date de contact pot fi găsite în certificatul de garanție. Piesele de schimb vor fi disponibile pentru o perioadă de până la 7 sau până la 10 ani, în conformitate cu cerințele normelor specifice.

PROBLEME	CAUZE POSIBILE	SOLUȚII
Indicatorul nivelului de săruri este aprins	Compartimentul pentru săruri este aproape gol.	Reumpleți cu săruri compartimentul (pentru mai multe informații, consultați <i>UMPLEREA COMPARTIMENTULUI PENTRU SĂRURI</i>). Dacă este necesar, verificați gradul de duritate a apei - consultați tabelul de la <i>TABELUL DURITĂȚII APEI</i> .
Indicatorul nivelului de săruri se aprinde intermitent	Compartimentul pentru săruri este gol.	Reumpleți cu săruri compartimentul cât mai curând posibil. Utilizarea fără săruri a aparatului poate duce la deteriorarea componentelor interne ale acestuia.
Indicatorul nivelului de agent de clătire se aprinde intermitent	Dozatorul de agent de clătire este gol. (După reumplere, indicatorul nivelului de agent de clătire poate rămâne aprins pentru scurt timp).	Reumpleți cu agent de clătire dozatorul (pentru mai multe informații, consultați <i>UMPLEREA DOZATORULUI PENTRU AGENT DE CLĂTIRE</i>).
Indicatorul de decalcifiere este aprins continuu sau se aprinde intermitent; este afișată alarma „DES”.	Pe componentele interne ale aparatului se formează depuneri de calcar.	Decalcificați imediat aparatul utilizând programul Autocurățare și un produs de decalcifiere din comerț (consultați <i>OPȚIUNI ȘI FUNCȚII</i>). Reumpleți cu săruri compartimentul. Verificați gradul de duritate de apei. Dacă aparatul nu este decalcificat, acesta nu va mai funcționa.
Mașina de spălat vase nu pornește sau nu răspunde la comenzi.	Aparatul nu a fost conectat la priză în mod corespunzător.	Introduceți ștecherul în priză.
	Pană de curent.	Din motive de siguranță, mașina de spălat vase nu va reporni automat la restabilirea alimentării cu energie. Deschideți ușa mașinii de spălat vase, apăsați butonul PORNIRE/Pauză și închideți ușa în 4 secunde.
	Ușa mașinii de spălat vase nu este închisă. Știftul NaturalDry nu este tras.	Împingeți ferm ușa până când auziți un „clic”.
	Un ciclu aflat în desfășurare este întrerupt dacă ușa este deschisă pentru mai mult de 4 secunde.	Apăsați butonul de PORNIRE/Pauză și închideți ușa în decurs de 4 secunde.
	Panoul de comandă nu reacționează sau se afișează F6 E1 .	Opriti aparatul apăsând pe butonul de PORNIRE/OPRIRE/Resetare, reporniți-l după aproximativ un minut și reporniți programul. Dacă problema persistă, deconectați aparatul timp de 1 minut, iar apoi conectați-l din nou.
Mașina de spălat vase nu evacuează apa. Pe afișaj apare: F7 E3 sau F9 E1	Filtrul este înfundat cu resturi de alimente sau depuneri de calcar.	Curățați filtrul și decalcificați aparatul (consultați secțiunea <i>CURĂȚAREA ANSAMBLULUI DE FILTRE ȘI INSTRUCȚIUNI PRIVIND DECALCFIEREA</i>).
	Furtunul de evacuare este indoit.	Verificați furtunul de evacuare (consultați secțiunea <i>INSTRUCȚIUNI DE INSTALARE</i>).
	Conducta de evacuare a chiuvetei este blocată.	Curățați conducta de evacuare a chiuvetei.
Mașina de spălat vase produce un zgomot excesiv.	Vasele se lovesc unele de celelalte.	Aranjați corect vesela (consultați secțiunea <i>ÎNCĂRCAREA RAFTURILOR</i>).
	Există o cantitate excesivă de spumă.	Cantitatea de detergent nu a fost măsurată corect sau detergentul nu este adecvat pentru utilizarea în mașini de spălat vase (consultați secțiunea <i>UMPLEREA DOZATORULUI DE DETERGENT</i>). Reporniți ciclul curent prin oprirea mașinii de spălat vase, apoi reporniți-o, selectați un program nou, apăsați butonul PORNIRE/Pauză și închideți ușa în decurs de 4 secunde. Vă rugăm să nu mai adăugați detergent.
	Vesela nu a fost aranjată corespunzător.	Aranjați corect vesela (consultați secțiunea <i>ÎNCĂRCAREA RAFTURILOR</i>).
	Filtrul este înfundat cu resturi de alimente sau depuneri de calcar.	Curățați ansamblul de filtre (consultați secțiunea <i>CURĂȚAREA ȘI ÎNTREȚINEREA</i>).
Vasele nu sunt curate.	Vesela nu a fost aranjată corespunzător.	Aranjați corect vesela (consultați secțiunea <i>ÎNCĂRCAREA RAFTURILOR</i>).
	Brațele de pulverizare nu se pot roti liber deoarece sunt obstrucționate de vase.	Aranjați corect vesela (consultați secțiunea <i>ÎNCĂRCAREA RAFTURILOR</i>). Asigurați-vă că raftul superior este în poziție corectă și reglați-l (ridicați-l) dacă este necesar.
	Ciclul de spălare este prea lejer.	Selectați un ciclu de spălare corespunzător (consultați <i>TABEL CU PROGRAME</i>).
	Există o cantitate excesivă de spumă.	Cantitatea de detergent nu a fost măsurată corect sau detergentul nu este adecvat pentru utilizarea în mașini de spălat vase (consultați secțiunea <i>UMPLEREA DOZATORULUI DE DETERGENT</i>).
	Capacul compartimentului pentru agent de clătire nu a fost închis corect.	Asigurați-vă că este închis capacul dozatorului pentru agent de clătire.
	Filtrul este înfundat cu resturi de alimente sau depuneri de calcar.	Curățați filtrul și decalcificați aparatul (consultați secțiunea <i>CURĂȚAREA ANSAMBLULUI DE FILTRE</i>).
	Compartimentul pentru săruri este gol.	Umpleți compartimentul pentru săruri (consultați <i>UMPLEREA COMPARTIMENTULUI PENTRU SĂRURI</i>).

PROBLEME	CAUZE POSIBILE	SOLUȚII
Mașina de spălat vase nu încarcă apă. Pe afișaj apare: H2O și \times sunt aprinse; se activează o alarmă sonoră.	Nu există apă în rețeaua de alimentare sau robinetul este închis.	Asigurați-vă că există apă în rețeaua de alimentare și că robinetul de apă este deschis.
	Furtunul de alimentare cu apă este îndoit.	Verificați furtunul de alimentare (<i>consultați secțiunea INSTALAREA</i>). Deschideți ușa mașinii de spălat vase, apăsați butonul PORNIRE/Pauză și închideți ușa în 4 secunde.
	Sita furtunului de alimentare cu apă este înfundată; aceasta necesită curățare.	Verificați și curățați sita din furtunul de alimentare cu apă. Deschideți ușa mașinii de spălat vase, apăsați butonul PORNIRE/Pauză și închideți ușa în 4 secunde.
Mașina de spălat vase încheie prematur ciclul. Pe afișaj apare: F8 E3	Filtrul este înfundat cu resturi de alimente sau depuneri de calcar.	Curățați filtrul și decalcificați aparatul (<i>consultați secțiunea CURĂȚAREA ANSAMBLULUI DE FILTRE și INSTRUCȚIUNI PRIVIND DECALCIFIEREA</i>).
	Furtunul de evacuare este poziționat prea jos sau evacuează apa în sistemul de canalizare local.	Verificați dacă furtunul de evacuare este poziționat la înălțimea corectă (<i>consultați secțiunea INSTALAREA</i>). Verificați dacă evacuarea se realizează în sistemul de canalizare local și instalați un întrerupător de sifon/o supapă de admisie a aerului dacă este necesar.
	Există o cantitate excesivă de spumă.	Cantitatea de detergent nu a fost măsurată corect sau detergentul nu este adecvat pentru utilizarea în mașini de spălat vase (<i>consultați secțiunea UMLEREA DOZATORULUI DE DETERGENT</i>).
	Există aer în rețeaua de alimentare cu apă.	Verificați alimentarea cu apă pentru a vă asigura că nu există scurgeri sau alte probleme care lasă aerul să pătrundă în interior.
Vasele nu sunt uscate bine.	Nu există agent de clătire sau dozarea este insuficientă.	Asigurați-vă că dozatorul pentru agentul de clătire este umplut (<i>consultați secțiunea UMLEREA DOZATORULUI PENTRU AGENT DE CLĂTIRE</i>). Utilizarea exclusivă a tabletelor multifuncționale nu va asigura efecte de uscare corespunzătoare ca în cazul utilizării unui agent de clătire lichid.
	Vasele au fost scoase din aparat după deschiderea automată a ușii, însă înainte de finalizarea ciclului propriu-zis.	Înainte de a începe să scoateți vasele, asigurați-vă că ciclul s-a încheiat (<i>consultați secțiunea UTILIZAREA ZILNICĂ</i>). Pentru rezultate de uscare și mai bune, este recomandat să mai lăsați vasele în interiorul mașinii de spălat vase, cu ușa acesteia deschisă, timp de încă 15 minute după finalizarea ciclului.
	Vasele sunt așezate într-o poziție prea orizontală.	Dacă observați acumulări de apă în interiorul ceștilor, cănilor sau castroanelor, încercați să încercați vasele (în special pe raftul superior) într-o poziție mai înclinată pentru a permite scurgerea cantităților mari de apă înainte de începerea procesului de uscare.
	Ciclul selectat nu are o etapă de uscare.	Verificați în <i>TABEL CU PROGRAME</i> dacă programul selectat include o etapă de uscare. Este posibil ca un ciclu care nu include o etapă de uscare să nu asigure eficiența de uscare dorită, motiv pentru care este recomandat să schimbați ciclul selectat cu unul care are inclusă o etapă de uscare.
	Vasele sunt fabricate din material antiaderent sau din plastic.	Rămânerea câtorva picături de apă pe acest tip de material reprezintă un fenomen normal.
Vasele și paharele au dăre albastre sau nuanțe albastrii.	Doza de agent de clătire este prea mare.	Reglați dozarea la o treaptă mai mică.
Vasele și paharele sunt acoperite cu depuneri de calcar sau cu o peliculă albă.	Compartimentul pentru săruri este gol.	Reumpleți cu săruri compartimentul cât mai curând posibil. Utilizarea fără săruri a aparatului poate duce la deteriorarea componentelor interne ale acestuia.
	Treapta de reglare a gradului de duritate a apei este prea scăzută.	Creșteți treapta de reglare (<i>consultați TABELUL DURITĂȚII APEI</i>).
	Capacul compartimentului pentru săruri nu este închis corespunzător.	Verificați capacul compartimentului pentru săruri și închideți-l.
	Compartimentul pentru agent de clătire este gol sau dozarea agentului de clătire este insuficientă.	Reumpleți cu agent de clătire dozatorul și verificați setarea dozării (pentru mai multe informații, consultați <i>UMLEREA DOZATORULUI PENTRU AGENT DE CLĂTIRE</i>).
Mașina de spălat vase afișează mesajul F8 E5	Supapa este înfundată sau defectă.	Închideți robinetul de apă dacă este posibil. Nu deconectați aparatul de la rețeaua de alimentare cu energie electrică. Contactați departamentul de service.



Puteți găsi politicile, documentația standard, informațiile despre comandarea pieselor de schimb și informațiile suplimentare despre produs:

- Utilizând codul QR și vizitând site-ul nostru web: docs.whirlpool.eu
- Vizitând site-ul nostru web: parts-selfservice.whirlpool.com
- Ca alternativă, **contactați serviciul nostru de asistență tehnică post-vânzare** (consultați numărul de telefon din certificatul de garanție). Când contactați serviciul nostru de asistență tehnică post-vânzare, vă rugăm să precizați codurile specificate pe plăcuța cu date de identificare a produsului dumneavoastră.

Informațiile modelului pot fi accesate folosind codul QR indicat pe eticheta energetică.

Eticheta include, de asemenea, identificatorul de model care poate fi utilizat pentru a consulta portalul de înregistrare la <https://eprel.ec.europa.eu>.

