

# DAILY REFERENCE GUIDE



**THANK YOU FOR BUYING A HOTPOINT ARISTON PRODUCT.** In order to receive a more complete assistance, please register your appliance on: [www.hotpoint.eu/register](http://www.hotpoint.eu/register)

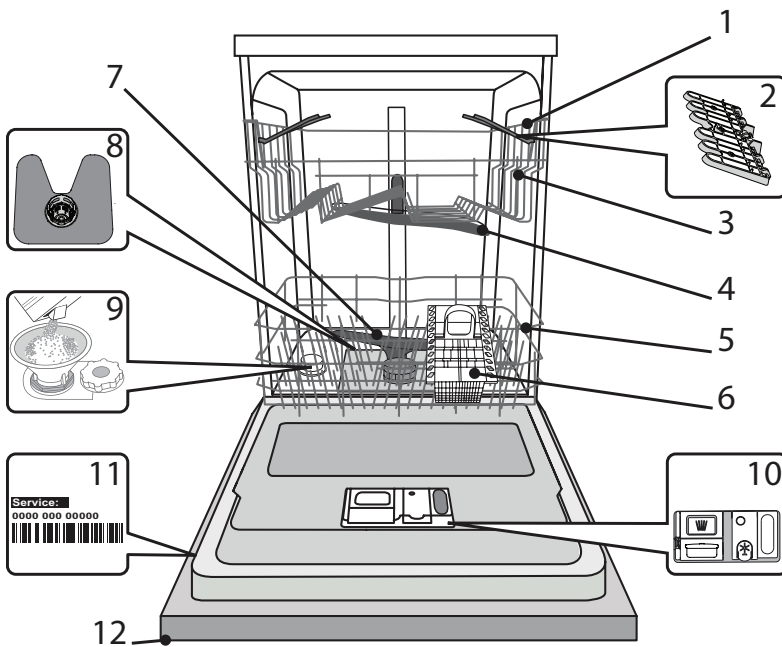


You can download the Safety Instructions and the User Manual, by visiting our website [docs.hotpoint.eu](http://docs.hotpoint.eu) and following the Instructions on the back of this booklet.

**Before using the appliance carefully read Safety Instructions guide.**

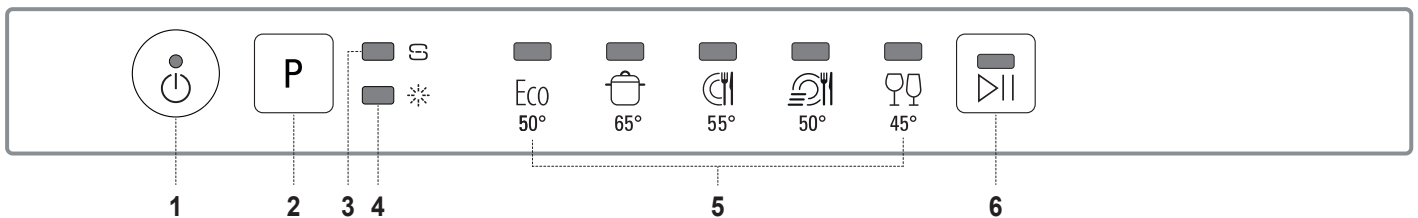
## PRODUCT DESCRIPTION

### APPLIANCE



1. Upper rack
2. Foldable flaps
3. Upper rack height adjuster
4. Upper spray arm
5. Lower rack
6. Cutlery basket
7. Lower spray arm
8. Filter Assembly
9. Salt reservoir
10. Detergent and Rinse Aid dispensers
11. Rating plate
12. Control panel

### CONTROL PANEL



1. ON-OFF / Reset button with indicator light
2. Program selection button
3. Salt refill indicator light
4. Rinse Aid refill indicator light
5. Program indicator lights
6. START/Pause button with indicator light

# FIRST TIME USE

## SALT, RINSE AID AND DETERGENT


### ADVICE REGARDING THE FIRST TIME USE

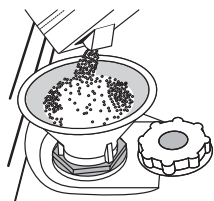
After installation, remove the stoppers from the racks and the retaining elastic elements from the upper rack.

### FILLING THE SALT RESERVOIR

The use of salt prevents the formation of LIMESCALE on the dishes and on the machine's functional components.

- It is mandatory that **THE SALT RESERVOIR NEVER BE EMPTY.**
- It is important to set the water hardness.

The salt reservoir is located in the lower part of the dishwasher (see *PRODUCT DESCRIPTION*) and must be filled when the **SALT REFILL indicator light**  in the control panel is lit.



1. Remove the lower rack and unscrew the reservoir cap (anticlockwise).
2. **Only the first time you do this: fill the salt reservoir with water.**
3. Position the funnel (see figure) and fill the salt reservoir right up to its edge (approximately 1 kg); it is not unusual for a little water to leak out.
4. Remove the funnel and wipe any salt residue away from the opening.

Make sure the cap is screwed on tightly, so that no detergent can get into the container during the wash program (this could damage the water softener beyond repair).

**Whenever you need to add salt, it is mandatory to complete the procedure before the beginning of the washing cycle to avoid corrosion.**

### SETTING THE WATER HARDNESS

To allow the water softener to work in a perfect way, it is essential that the water hardness setting is based on the actual water hardness in your house. This information can be obtained from your local water supplier.

The factory sets the default value for the water hardness

- Switch on the appliance by pressing the **ON/OFF** button.
- Switch off the appliance by pressing the **ON/OFF** button.
- Hold down button **P** for 5 seconds, until you hear a beep.
- Switch on the appliance by pressing the **ON/OFF** button.
- The program indicator light of the current set level flashes.
- Press button **P** to select the desired hardness level (see *WATER HARDNESS TABLE*).

Water Hardness Table				
Level		°dH German degrees	°fH French degrees	°Clark English degrees
1	Soft	0 - 6	0 - 10	0 - 7
2	Medium	7 - 11	11 - 20	8 - 14
3	Average	12 - 16	21 - 29	15 - 20
4	Hard	17 - 34	30 - 60	21 - 42
5	Very hard	35 - 50	61 - 90	43 - 62

- Switch off the appliance by pressing the **ON/OFF** button.
- Setting is complete!

As soon as this procedure is complete, run a program without loading.

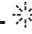
**Only use salt that has been specifically designed for dishwashers.**

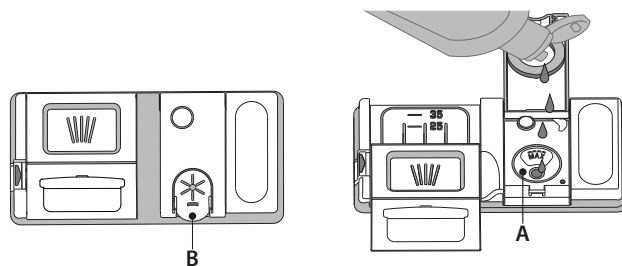
After the salt has been poured into the machine, the **SALT REFILL** indicator light switches off.

**If the salt container is not filled, the water softener and the heating element may be damaged as a result of limescale accumulation.**

**Using of Salt is recommended with any type of dishwasher detergent.**

### FILLING THE RINSE AID DISPENSER

Rinse aid makes dish **DRYING** easier. The rinse aid dispenser **A** should be filled when the **RINSE AID REFILL**  indicator light in the control panel is lit.



1. Open the dispenser **B** by pressing and pulling up the tab on the lid.
  2. Pour in the rinse aid (max.110 ml), making sure it does not overflow from the dispenser. If this happens, clean the spill immediately with a dry cloth.
  3. Press the lid down until you hear a click to close it.
- NEVER pour the rinse aid directly into the appliance tub.**

### ADJUSTING THE DOSAGE OF RINSE AID

If you are not completely satisfied with the drying results, you can adjust the quantity of rinse aid used.

- Switch the dishwasher on using the **ON/OFF** button.
- Switch it off using the **ON/OFF** button.
- Press button **P** three times - a beep will be heard.
- Switch it on using the **ON/OFF** button.
- The program indicator light of the current set level flashes.
- Press button **P** to select the level of rinse aid quantity to be supplied.
- Switch it off using the **ON/OFF** button

Setting is complete!

If the rinse aid level is set to 1 (ECO), no rinse aid will be supplied.

The **LOW RINSE AID** indicator light will not be lit if you run out of rinse aid.

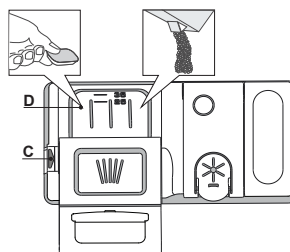
A maximum of 5 levels can be set according to the dishwasher model.

The factory setting is specific to the model, please follow instruction above to check this for your machine.

- If you see bluish streaks on the dishes, set a low number (2-3).
- If there are drops of water or limescale marks on the dishes, set a mid-range number (4-5).

### FILLING THE DETERGENT DISPENSER

**To open the detergent dispenser use the opening device C. Introduce the detergent into the dry dispenser D only. Place the amount of detergent for pre-washing directly inside the tub.**








1. When measuring out the detergent refer to the mentioned earlier information to add the proper quantity. Inside the dispenser **D** there are indications to help the detergent dosing.
2. Remove detergent residues from the edges of the dispenser and close the cover until it clicks.
3. Close the lid of the detergent dispenser by pulling it up until the closing device is secured in place.

The detergent dispenser automatically opens up at the right time according to the program.

**Usage of detergent not designed for dishwashers may cause malfunction or damage to the appliance.**

# PROGRAMS TABLE

Program	Drying phase	Duration of wash program (h:min) <sup>*)</sup>	Water consumption (litres/cycle)	Energy consumption (kWh/cycle)
1. Eco  50°	✓	3:20	12.0	1.04
2. Intensive  65°	✓	2:30	16,0	1.50
3. Mixed  55°	✓	2:25	16.0	1.35
4. Fast Wash  50°	-	1:00	11.5	1,10
5. Delicate  45°	✓	1:30	11,5	1.10

ECO program data is measured under laboratory conditions according to European Standard EN 60436:2020.

Note for Test Laboratories:

For information on comparative EN testing conditions, please send an email to the following address: [dw\\_test\\_support@whirlpool.com](mailto:dw_test_support@whirlpool.com)

Pre-treatment of the dishes is not needed before any of the programs.

\*) Values given for programmes other than the eco programme are indicative only. The actual time may vary depending on many factors such as temperature and pressure of the incoming water, room temperature, amount of detergent, quantity and type of load, load balancing, additional selected options and sensor calibration. The sensor calibration can increase program duration up to 20 min.

## PROGRAMS DESCRIPTION

### Instructions on wash cycle selection.

#### 1 ECO

Eco program is suitable to clean normally soiled tableware, that for this use, it is the most efficient program in terms of its combined energy and water consumption, and that it is used to assess compliance with the EU Ecodesign legislation.

#### 2 INTENSIVE

Program recommended for heavily soiled crockery, especially suitable for pans and saucepans (not to be used for delicate items).

#### 3 MIXED

Mixed soil. For normally soiled dishes with dried food residues.

#### 4 FASTWASH

Program for limited quantity of normally soiled crockery. Ensures optimal cleaning performance in shorter time.

#### 5 DELICATE

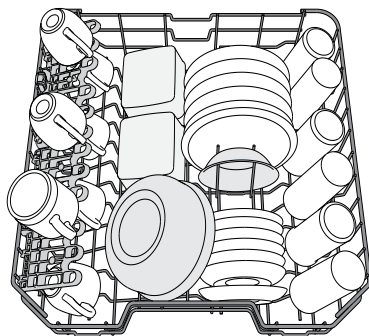
Program for delicate items, which are more sensitive to high temperatures, for example glasses and cups.

#### Notes:

Please note that cycle *Fast Wash* is dedicated for lightly soiled dishes.

# LOADING THE RACKS

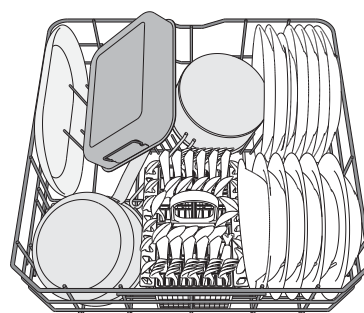
## UPPER RACK



(loading example for the upper rack)

Load delicate and light dishes: glasses, cups, saucers, low salad bowls.

## LOWER RACK



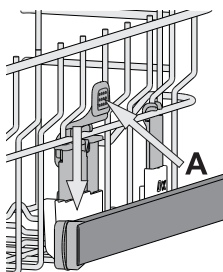
(loading example for the lower rack)

For pots, lids, plates, salad bowls, cutlery etc... Large plates and lids should ideally be placed at the sides to avoid interferences with the spray arm.

## ADJUSTING THE HEIGHT OF THE UPPER RACK

The height of the upper basket can be adjusted: high position to place bulky crockery in the lower basket and low position to make the most of the tip-up compartments by creating more space upwards.

The upper rack is equipped with a **Upper Rack height adjuster** (see figure), without pressing the levers, lift it up by simply holding the rack sides, as soon as the rack is stable in its upper position. To restore to the lower position, press the levers (**A**) at the sides of the rack and move the basket downwards.



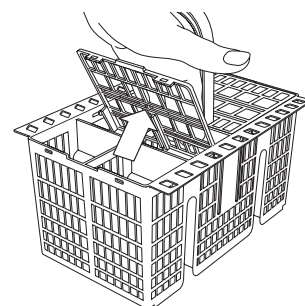
**We strongly recommend that you do not adjust the height of the rack when it is loaded.**

**NEVER raise or lower the basket on one side only.**

## CUTLERY BASKET

The basket is equipped with top grilles for improved cutlery arrangement. The cutlery basket should be positioned only at the front of the lower rack.

**Knives and other utensils with sharp edges must be placed in the cutlery basket with the points facing downwards or they must be positioned horizontally in the tip-up compartments on the upper rack.**



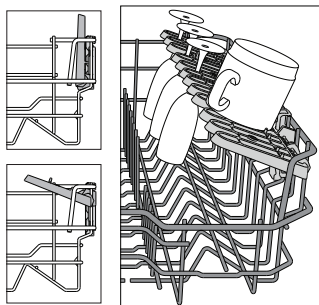
## FOLDABLE FLAPS WITH ADJUSTABLE POSITION

The side foldable flaps can be fold or unfold to optimize the arrangement of crockery inside the rack.

Wine glasses can be placed safely in the foldable flaps by inserting the stem of each glass into the corresponding slots.

Depending on the model:

- to unfold the flaps there is needed to slide it up and rotate or release it from the snaps and pull it down.
- to fold the flaps there is needed to rotate it and slide flaps down or pull it up and attach flaps to the snaps.





## DAILY USE

### 1. CHECK WATER CONNECTION

Check that the dishwasher is connected to the water supply and that the tap is open.

### 2. SWITCH ON THE DISHWASHER

Open the door and press the **ON/OFF** button.

### 3. LOAD THE RACKS (see *LOADING THE RACKS*)

### 4. FILLING THE DETERGENT DISPENSER

### 5. CHOOSE THE PROGRAM AND CUSTOMISE THE CYCLE

Select the most appropriate program in accordance with the type of crockery and its soiling level (see *PROGRAMS DESCRIPTION*) by pressing the **P** button.

### 6. START

Start the wash cycle by pressing **START/Pause** button (led is lit) and closing the door within 4 sec. When the program starts you hear a single beep. If the door was not closed within 4sec., the alarm sound will be played. In this case, open the door, press **START/Pause** button and close the door again within 4 sec.

### 7. END OF WASH CYCLE

The end of the wash cycle is indicated by beeps and by the flashing of the indicator light of the selected program. Open the door and switch off the appliance by pressing the **ON/OFF** button. Wait for a few minutes before removing the crockery - to avoid burns. Unload the racks, beginning with the lower one.

**The machine will switch off automatically during certain extended periods of inactivity, in order to minimise electricity consumption. If the crockery is only lightly soiled or if it has been rinsed with water before being placed in the dishwasher, reduce the amount of detergent used accordingly.**

### MODIFYING A RUNNING PROGRAM

If a wrong program was selected, it is possible to change it, provided that it has only just begun: open the door, press and hold the **ON/OFF** button, the machine will switch off.

Switch the machine back on using the **ON/OFF** button and select the new wash cycle and any desired options; Start the wash cycle by pressing **START/Pause** button and closing the door within 4 sec.

### ADDING EXTRA CROCKERY

Without switching off the machine, open the door (**START/Pause** led starts blinking) (**be ware of HOT steam!**) and place the crockery inside the dishwasher. Press the **START/Pause** button and close the door within 4 sec., the cycle will resume from the point at which it was interrupted.

### ACCIDENTAL INTERRUPTIONS

If the door is opened during the wash cycle, or if there is a power cut, the cycle stops. Press the **START/Pause** button and close the door within 4 sec., the cycle will resume from the point at which it was interrupted.

## ADVICE AND TIPS

### TIPS

Before loading the baskets, remove all food residues from the crockery and empty the glasses. **You do not need to rinse beforehand under running water.**

Arrange the crockery so that it is held in place firmly and does not tip over; and arrange the containers with the openings facing downwards and the concave/convex parts placed obliquely, thus allowing the water to reach every surface and flow freely.

**Warning:** lids, handles, trays and frying pans do not prevent the sprayer arms from rotating.

Place any small items in the cutlery basket.

Very soiled dishes and pans should be placed in the lower basket because in this sector the water sprays are stronger and allow a higher washing performance.

After loading the appliance, make sure that the sprayer arms can rotate freely.

### UNSUITABLE CROCKERY

- Wooden crockery and cutlery.
- Delicate decorated glasses, artistic handicraft and antique crockery. Their decorations are not resistant.
- Parts in synthetic material which do not withstand high temperatures.
- Copper and tin crockery.
- Crockery soiled with ash, wax, lubricating grease or ink.

The colours of glass decorations and aluminium/silver pieces can change and fade during the washing process. Some types of glass (e.g. crystal objects) can become opaque after a number of wash cycles too.

### DAMAGE TO GLASS AND CROCKERY

- Only use glasses and porcelain guaranteed by the manufacturer as dishwasher safe.
- Use a delicate detergent suitable for crockery
- Collect glasses and cutlery from the dishwasher as soon as the wash cycle is over.

### TIPS ON ENERGY SAVING

- When the household dishwasher is used according to the manufacturer's instructions, **washing tableware in a dishwasher usually consumes less energy and water than hand dishwashing.**
- In order to maximize dishwasher efficiency it is recommended to **initiate the wash cycle once dishwasher is fully loaded.** Loading the household dishwasher up to the capacity indicated by the manufacturer will contribute to energy and water savings. Information on correct loading of tableware can be found in Loading chapter. In case of partial loading it is recommended to use dedicated wash options if available (Half load/ Zone Wash, Multizone), filling up only selected racks. Incorrect loading or overloading the dishwasher may increase resources usage (such as water, energy and time, as well as increase noise level), reducing cleaning and drying performance.
- Manual pre-rinsing of tableware items leads to increased water and energy consumption and is not recommended.

### HYGIENE

To avoid odour and sediment which can be accumulated in the dishwasher **please run a high temperature program at least one a month.** Use a tea spoon of detergent and run it without the loading to clean your appliance.

# CARE AND MAINTENANCE

## CLEANING THE FILTER ASSEMBLY

Regularly clean the filter assembly so that the filters do not clog and that the waste water flows away correctly.

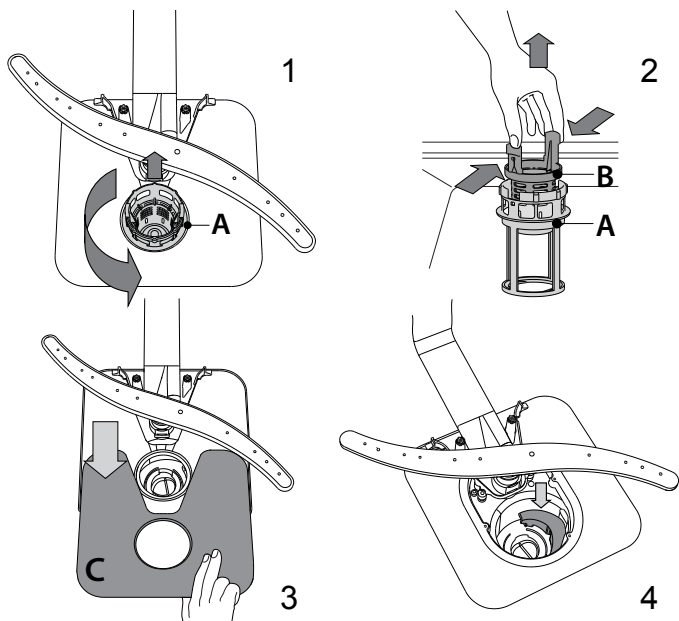
Using dishwasher with clogged filters or foreign objects inside filtration system or sprayarms may cause unit malfunction resulting in lose of performance, noisy work or higher resources usage.

The filter assembly consists of three filters which remove food residues from the washing water and then recirculate the water.

**The dishwasher must not be used without filters or if the filter is loose.**

At least once per month or after each 30 cycles, check the filter assembly and if necessary clean it thoroughly under running water, using a non-metallic brush and following the instructions below:

1. Turn the cylindrical filter **A** in an anti-clockwise direction and pull it out (Fig 1).
2. Remove the cup filter **B** by exerting a slight pressure on the side flaps (Fig 2).
3. Slide out the stainless-steel plate filter **C** (Fig 3).
4. In case you find foreign objects (such as broken glass, porcelain, bones, fruit seeds etc.) **please remove them carefully**.
5. Inspect the trap and remove any food residues. **NEVER REMOVE** the wash-cycle pump protection (black detail) (Fig 4).



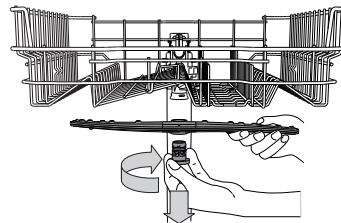
After cleaning the filters, re-place the filter assembly and fix it in position correctly; this is essential for maintaining the efficient operation of the dishwasher.

## CLEANING THE WATER INLET HOSE

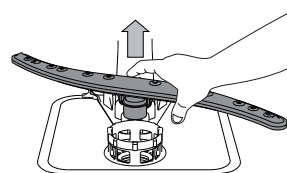
If the water hoses are new or have not been used for an extended period of time, let the water run to make sure it is clear and free of impurities before performing the necessary connections. If this precaution is not taken, the water inlet could become blocked and damage the dishwasher.

## CLEANING THE SPRAY ARMS

On occasions, food residue may become encrusted onto the spray arms and block the holes used to spray the water. It is therefore recommended that you check the arms from time to time and clean them with a small non-metallic brush.



To remove the upper spray arm, turn the plastic locking ring in a clockwise direction. The upper spray arm should be replaced so that the side with the greater number of holes is facing upwards.



The lower spray arm may be removed by pulling it upwards.

## WATER SOFTENING SYSTEM

Water softener automatically reduces water hardness, consequently preventing scale buildup on heater, contributing also to better cleaning efficiency.

**This system regenerates itself with salt, therefore it is required to refill salt container when empty.**



Frequency of regeneration depends on water hardness level setting - regeneration takes place once per 5 Eco cycles with water hardness level set to 3.

Regeneration process starts in final rinse and finishes in drying phase, before cycle ends.

- Single regeneration consumes: ~3.5L of water;
- Takes up to 5 additional minutes for the cycle;
- Consumes below 0.005kWh of energy.

# TROUBLESHOOTING

In case your dishwasher doesn't work properly, check if the problem can be solved by going through the following list. For other errors or issues please contact authorized After-sales Service which contact details can be found in the warranty booklet. Spare parts will be available for a period of either up to 7 or up to 10 years, according to the specific Regulation requirements.

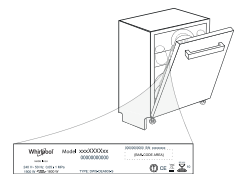
PROBLEMS	POSSIBLE CAUSES	SOLUTIONS
 Salt indicator is lit	Salt reservoir is empty. (After refill the salt indicator may remain lit for several wash cycles).	Refill reservoir with salt (for more information - see page 2). Adjust water hardness - see table, page 2.
 Rinse aid indicator is lit	Rinse aid dispenser is empty (after refill the rinse aid indicator may remain lit for several wash cycles).	Refill dispenser with rinse aid (for more information - see page 2).
The dishwasher won't start or does not respond to commands.	The appliance has not been plugged in properly.	Insert the plug into the socket.
	Power outage.	For safety reasons, dishwasher will not re-start automatically when power returns. Open dishwasher door, press START/Pause button and close the door within 4 seconds.
	The dishwasher door is not closed.	Vigorously push the door until you hear the "click".
	Cycle is interrupted by door opening for more than 4 seconds.	Press START/Pause and close the door within 4 seconds.
The dishwasher won't drain.	It does not respond to commands.	Switch off the appliance by pressing the ON/OFF button, switch it back on after approximately one minute and restart the program. If problem persists, unplug the appliance for 1 minute, then plug it back in.
	The wash cycle has not finished yet.	Wait until the wash cycle finishes.
	The drain hose is bent.	Check that the drain hose is not bent (see <i>INSTALLATION INSTRUCTION</i> ).
	The sink drain pipe is blocked.	Clean the sink drain pipe.
The dishwasher makes excessive noise.	The filter is clogged up with food residues.	Clean the filter (see <i>CLEANING THE FILTER ASSEMBLY</i> ).
	The dishes are rattling against each other.	Position the crockery correctly (see <i>LOADING THE RACKS</i> ).
The dishes are not clean.	An excessive amount of foam has been produced.	The detergent has not been measured out correctly or it is not suitable for use in dishwashers (see <i>FILLING THE DETERGENT DISPENSER</i> ). Restart the current cycle by switching OFF the dishwasher, then switch it on again, select a new program, press START/Pause and close the door within 4 seconds. Please do not add any detergent.
	The crockery has not been arranged properly.	Arrange the crockery correctly (see <i>LOADING THE RACKS</i> ).
	The spray arms cannot rotate freely, being hindered by the dishes.	Arrange the crockery correctly (see <i>LOADING THE RACKS</i> ).
	The wash cycle is too gentle.	Select an appropriate wash cycle (see <i>PROGRAMS TABLE</i> ).
	An excessive amount of foam has been produced.	The detergent has not been measured out correctly or it is not suitable for use in dishwashers (see <i>FILLING THE DETERGENT DISPENSER</i> ).
	The cap on the rinse aid compartment has not been shut correctly.	Make sure the cap of the rinse aid dispenser is closed.
	The filter is soiled or clogged.	Clean the filter assembly (see <i>CARE AND MAINTENANCE</i> ).
The dishwasher does not fill the water. All LEDs are blinking rapidly	There is no salt.	Fill the salt reservoir (see <i>FILLING THE SALT RESERVOIR</i> ).
	No water in the water supply or the tap is closed.	Make sure there is water in the water supply or the tap running.
	The inlet hose is bent.	Make sure the inlet hose is not bent (see <i>INSTALLATION</i> ) reprogram the dishwasher and reboot.
Dishwasher finishes the cycle prematurely.	The sieve in the water inlet hose is clogged; it is necessary to clean it	After having carried out the verification and cleaning, turn off and turn on the dishwasher and restart a new program.
	Drain hose positioned too low or siphoning into home sewage system.	Check if end of drain hose is placed at correct height (see <i>INSTALLATION</i> ). Check for siphoning into home sewage system, install air admittance valve if necessary.
	Air in water supply.	Check water supply for leaks or other issues letting air inside.



## Policies, standard documentation, ordering of spare parts and additional product information can be found by:

- Visiting our website: [docs.hotpoint.eu](https://docs.hotpoint.eu) and [parts-selfservice.whirlpool.com](https://parts-selfservice.whirlpool.com)
- Using QR Code
- Alternatively, **contact our After-sales Service** (See phone number in the warranty booklet). When contacting our After-sales Service, please state the codes provided on your product's identification plate.

The model information can be retrieved using the QR-Code reported in the energy label. The label also includes the model identifier that can be used to consult the portal of the registry at <https://eprel.ec.europa.eu>



---

**400011645847B**

07/2023 dk - Xerox Fabriano



# РЪКОВОДСТВО ЗА ВСЕКИДНЕВНА СПРАВКА



**БЛАГОДАРИМ ВИ, ЧЕ ЗАКУПИХТЕ ПРОДУКТ НА HOTPOINT ARISTON.** За да получавате по-пълно съдействие, регистрирайте Вашия уред на: [www.hotpoint.eu/register](http://www.hotpoint.eu/register)

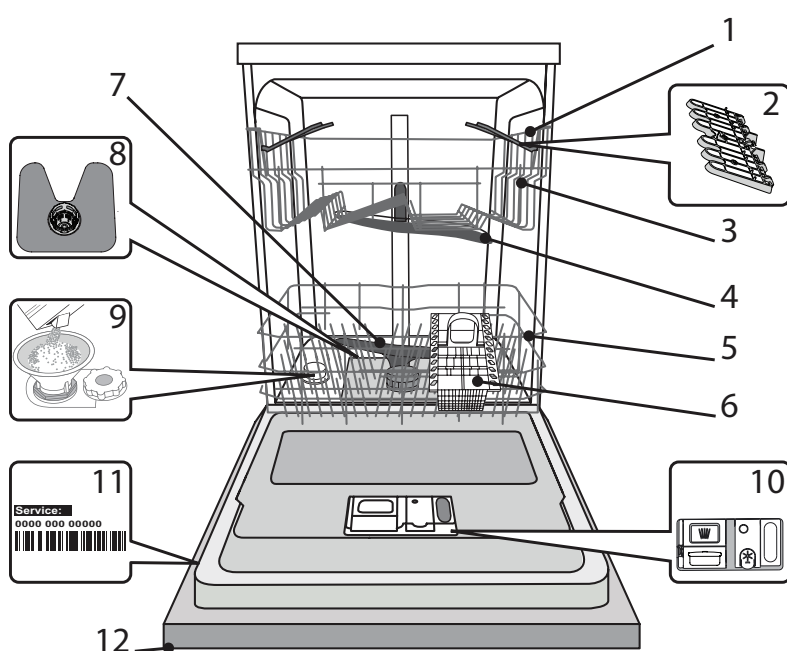


Можете да изтеглите Инструкциите за безопасност и Ръководството за потребителя, като посетите нашия уебсайт [docs.hotpoint.eu](http://docs.hotpoint.eu) и следвате указанията на задната корица на тази книжка.

**Преди да използвате уреда, прочетете внимателно Инструкциите за безопасност.**

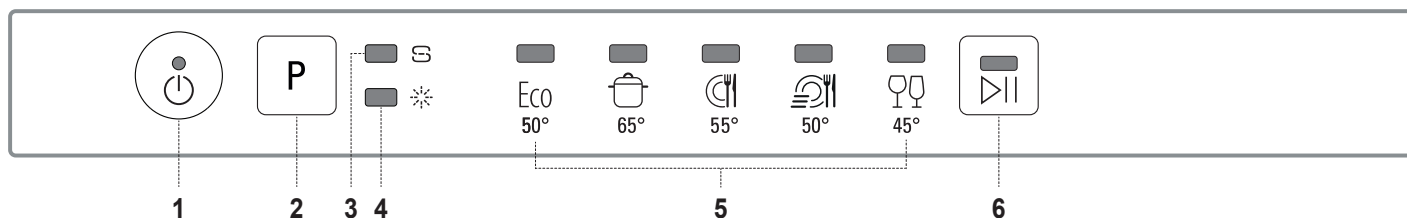
## ОПИСАНИЕ НА ПРОДУКТА

### УРЕД



1. Горна кошница
2. Сгъваеми капаци
3. Регулатор за височината на горната кошница
4. Горно разпръскващо рамо
5. Долна кошница
6. Кошничка за прибори
7. Долно разпръскващо рамо
8. Филтърен възел
9. Резервоар за сол
10. Дозатори за препарат и помощно средство за изплакване
11. Табелка с данни
12. Контролен панел

### КОНТРОЛЕН ПАНЕЛ



1. Бутон Вкл.-Изкл./Нулиране със светлинен индикатор
2. Бутон за избиране на програма
3. Светлинен индикатор за зареждане на сол
4. Светлинен индикатор за зареждане на помощно средство за изплакване
5. Светлинни индикатори за програми
6. Бутон СТАРТ/Пауза със светлинен индикатор



# УПОТРЕБА ЗА ПРЪВ ПЪТ

## СОЛ, ПОМОЩНО СРЕДСТВО ЗА ИЗПЛАКВАНЕ И ПОЧИСТВАЩ ПРЕПАРАТ

### СЪВЕТИ ЗА УПОТРЕБА ЗА ПЪРВИ ПЪТ

След монтаж отстранете блокиращите елементи от кошниците и задържащите ластици от горната кошница.

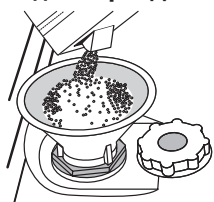
### ЗАРЕЖДАНЕ НА РЕЗЕРВОАРА ЗА СОЛ

Използването на сол предотвратява образуването на КОТЛЕН КАМЪК по съдовете и функционалните компоненти на машината.

• Задължително е **РЕЗЕРВОАРЪТ ЗА СОЛ НИКОГА ДА НЕ ОСТАВА ПРАЗЕН.**

• Важно е да зададете твърдостта на водата.

Резервоарът за сол се намира в долната част на миялната машина (вж. „ОПИСАНИЕ НА ПРОДУКТА“) и трябва да се допълва, когато **индикаторът ДОПЪЛВАНЕ НА СОЛ** на контролния панел светне.



1. Отстранете долната кошница и развийте капачката на резервоара (обратно на часовниковата стрелка).
2. **Само първия път правите това: напълнете резервоара за сол с вода.**
3. Поставете фунията (вж. фигурата) и напълнете резервоара за сол до ръба (около 1 kg); Не е необичайно да изтече малко вода.
4. Отстранете фунията и забършете остатъците от сол от отвора.

Уверете се, че капачката е завита здраво, така че по време на програмата за миене препаратът да не може да влезе в резервоара (това може да повреди непоправимо омекотителя за вода).

**Когато е необходимо да добавите сол, е задължително да направите това преди започване на цикъла на измиване, за да се избегне корозия.**

### НАСТРОЙВАНЕ НА ТВЪРДОСТТА НА ВОДАТА

За да може омекотителят за вода да работи идеално, е особено важно настройката за твърдостта на водата да се базира на реалната твърдост на водата в дома ви. Можете да получите тази информация от местния си доставчик на вода. Нивото по подразбиране за твърдост на водата е фабрично зададено.

- Включете уреда , като натиснете бутона **ВКЛ./ИЗКЛ.**
- Изключете уреда , като натиснете бутона **ВКЛ./ИЗКЛ.**
- Натиснете и задръжте бутона **P** за 5 секунди, докато чуete звуков сигнал.
- Включете уреда , като натиснете бутона **ВКЛ./ИЗКЛ.**
- Светлинният индикатор за програма на текущо настроеното ниво мига.
- Натиснете бутона **P**, за да изберете желаното ниво на твърдост (вж. ТАБЛИЦА НА ТВЪРДОСТТА НА ВОДАТА).

Таблица на твърдостта на водата

Ниво	°dH Германски градуси	°fH Френски градуси	°Clark Английски градуса
1 Мека	0 - 6	0 - 10	0 - 7
2 Умерена	7 - 11	11 - 20	8 - 14
3 Средна	12 - 16	21 - 29	15 - 20
4 Твърда	17 - 34	30 - 60	21 - 42
5 Много твърда	35 - 50	61 - 90	43 - 62

- Изключете уреда , като натиснете бутона **ВКЛ./ИЗКЛ.**

Настройката е завършена!

Веднага след завършването на процедурата пуснете програмата без съдове.

**Използвайте само сол, която е предназначена специално за съдомиялни машини.**

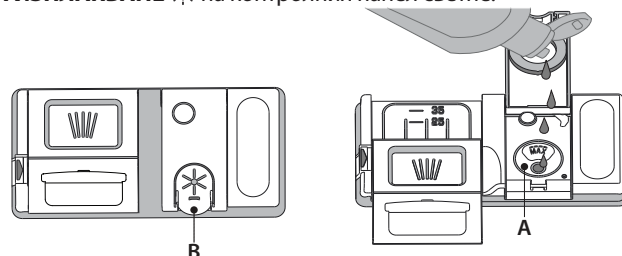
След като поставите сол в машината, светлинният индикатор **ЗАРЕЖДАНЕ НА СОЛ** се изключва.

**Ако контейнерът за сол не бъде напълнен, възможно е в резултат на натрупване на варовик да се повреди омекотителят за вода и нагревателният елемент.**

Използването на сол е препоръчително с всякакъв тип миялен препарат.

### ЗАРЕЖДАНЕ НА ДОЗАТОРА ЗА ПОМОЩНО СРЕДСТВО ЗА ИЗПЛАКВАНЕ

Помощното средство за изплакване улеснява СУШЕНЕТО. Дозаторът за помощното средство за изплакване **A** трябва да се пълни, когато светлинният индикатор **ЗАРЕЖДАНЕ НА ПОМОЩНО СРЕДСТВО ЗА ИЗПЛАКВАНЕ** на контролния панел светне.



1. Отворете дозатора **B**, като натиснете и дръпнете нагоре издатината на капака.
2. Внимателно добавете помощното средство за изплакване до максималната (110 ml) референтна маркировка на мястото за пълнене - избягвайте да разливате. Ако това се случи, почистете разливането незабавно със суха кърпа
3. Натиснете капака надолу, докато чуete щракване, за да го затворите. **НИКОГА не наливайте помощното средство за изплакване направо във ваничката.**

### РЕГУЛИРАНЕ НА ДОЗИРАНЕТО НА ПОМОЩНОТО СРЕДСТВО ЗА ИЗПЛАКВАНЕ

Ако не сте напълно доволни от резултатите от сушенето, можете да регулирате използваното количество помощно средство за изплакване.

- Включете съдомиялната машина с бутона **ВКЛ./ИЗКЛ.**
- Изключете я с бутона **ВКЛ./ИЗКЛ.**
- Натиснете бутона **P** три пъти - ще чуete звуков сигнал.
- Включете я с бутона **ВКЛ./ИЗКЛ.**
- Светлинният индикатор за програма на текущо настроеното ниво мига.
- Натиснете бутона **P**, за да изберете желаното ниво на количеството помощно средство за изплакване.
- Изключете я с бутона **ВКЛ./ИЗКЛ.**

Настройката е завършена!

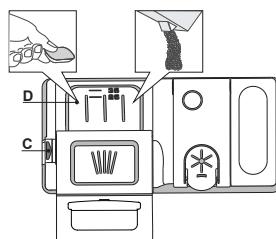
Ако нивото на помощното средство за изплакване е зададено на 1 (ЕКО), няма да се подава помощно средство за изплакване.

Светлинният индикатор **НИСКО НИВО НА ПОМОЩНОТО СРЕДСТВО ЗА ИЗПЛАКВАНЕ** няма да светне, ако помощното средство се изчерпи. Според модела на съдомиялната машина могат да се задават макс-симум 5 нива. Фабричната настройка е специфична за всеки модел; следвайте инструкциите по-горе, за да проверите отнася ли се настройката за Вашата машина.

- Ако видите синкави петна по съдовете, задайте нисък номер (2-3).
- Ако по съдовете има капки вода или следи от котлен камък, задайте висок номер (4-5).

### ЗАРЕЖДАНЕ НА ДОЗАТОРА ЗА МИЯЛЕН ПРЕПАРАТ

**За да отворите дозатора за препарат, използвайте приспособление C. Налейте препарата само в сухия дозатор D. Поставете количество препарат за предварително измиване направо във ваничката.**



1. При измерване на препарата правете справка със споменатата информация по-горе, за да добавите подходящо количество. в дозатора **D** има индикатори, за да помогнат за дозирането на миялния препарат.
2. Отстранете остатъците от препарат от ръбовете на дозатора и затворете капака, докато щракне.
3. Затворете капака на дозатора за препарат, като го дръпнете нагоре,

докато приспособлението за затваряне се закрепя на място.

Дозаторът за препарат се отваря автоматично в правилния момент според програмата.

**Използването на миялен препарат, който не е предназначен за съдомиялни машини, може да причини неизправност или повреда на уреда.**



# ТАБЛИЦА НА ПРОГРАМИТЕ

Програма	Фаза на сушене	Времетраене на програмата за миене (ч:мин) <sup>*)</sup>	Потребление на вода (литра/програма)	Потребление на енергия (kWh/програма)
1. Еко  50°	✓	3:20	12,0	1,04
2. Интензивна  65°	✓	2:30	16,0	1,50
3. Смесени  55°	✓	2:25	16,0	1,35
4. Бързо измиване  50°	-	1:00	11,5	1,10
5. Деликатни  45°	✓	1:30	11,5	1,10

Данните за програмата ЕКО са измерени в лабораторни условия съгласно Европейски стандарт EN 60436:2020.

Бележки за тестовите лаборатории: за информация относно сравнимите с EN тестови условия изпратете имейл на следния адрес: [dw\\_test\\_support@whirlpool.com](mailto:dw_test_support@whirlpool.com)

Не е необходимо предварително третиране на съдовете преди пускане на която и да било програма.

\*) Стойностите, дадени за програмите, с изключение на програмата Еко, са само ориентировъчни. Реалното време може да се различава в зависимост от множество фактори, като температурата и налягането на подаваната вода, температурата в помещението, количеството препарат, количеството и вида на зареждането, балансирането на зареждането, допълнителните избрани опции и калибрирането на сензора. Калибрирането на сензора може да увеличи продължителността на програмата с до 20 мин.

## ОПИСАНИЕ НА ПРОГРАМИТЕ

### Указания за избор на програма за миене.

#### 1 ЕКО

Програмата Еко е подходяща за почистване на нормално замърсена домакинска посуда, като използвана по този начин, програмата е най-ефективна по отношение на комбинираното потребление на енергия и вода и отговаря на законодателството на ЕС по отношение на екологичния дизайн.

#### 2 ИНТЕНЗИВНА

Програма, препоръчвана за силно замърсени съдове, особено подходяща за тигани и тенджери (да не се използва за фини изделия).

#### 3 СМЕСЕНИ

Смесени замърсявания. За нормално замърсени съдове със засъхнали остатъци от храна.

#### 4 БЪРЗО ИЗМИВАНЕ

Програма за ограничено количество нормално замърсени съдове. Осигурява оптимална ефективност на почистването за по-кратко време.

#### 5 ДЕЛИКАТНИ

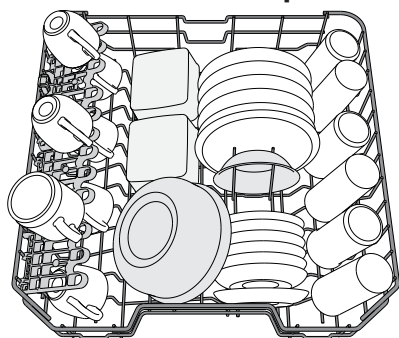
Програма за фини изделия, които са по-чувствителни към високи температури, например стъклени и порцеланови чаши.

#### Забележки:

Имайте предвид, че програмата *Бързо измиване* е предназначена за леко замърсени съдове.

# ЗАРЕЖДАНЕ НА КОШНИЦИТЕ

## ГОРНА КОШНИЦА



Заредете деликатните и леки съдове: стъклени и порцеланови чаши, чинийки, ниски купи за салата.

(пример за зареждане на горната кошница)

## РЕГУЛИРАНЕ НА ВИСОЧИНАТА НА ГОРНАТА КОШНИЦА

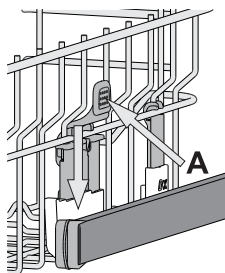
Височината на горната кошница може да се регулира: висока позиция за поставяне на обемни съдове в долната кошница и ниска позиция за пълноценно използване на наклонящите се опори, като се създава повече място нагоре и се избягва сблъскване с изделията в долната кошница.

Горната кошница е оборудвана с **Регулатор на височината на горната кошница** (вж. фигурата), без да натискате лостовете, повдигнете нагоре, като просто хванете кошницата отстрани веднага след като кошницата стане стабилна в по-високата си позиция.

За да възстановите по-ниската позицията, натиснете лостовете **A** отстрани на кошницата и преместете кошницата надолу.

**Силно препоръчваме да не регулирате височината на кошницата, когато е заредена.**

**НИКОГА не повдигайте или спускайте кошницата само от едната страна.**



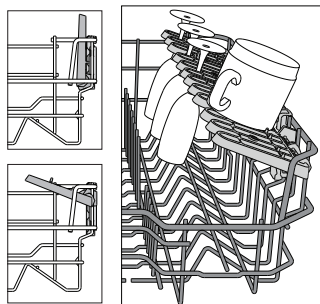
## СГЪВАЕМИ КАПАЦИ С РЕГУЛИРУЕМА ПОЗИЦИЯ

Страничните капаци могат да се сгъват или разгъват, за да се оптимизира подреждането на съдовете в кошницата.

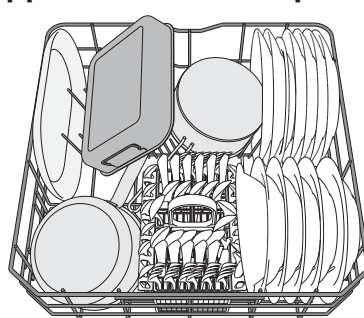
Чашите за вино могат да се поставят безопасно в сгъваемите капаци, като столчето на всяка чаша се вмъкне в съответния процеп.

В зависимост от модела:

- за да разгънете капациите, е необходимо да ги плъзнете нагоре и да ги завъртите или да ги освободите от закопчалките им и да ги издърпате надолу.
- за да сгънете капациите, е необходимо да ги завъртите и да плъзнете капациите надолу или да ги дръпнете нагоре и да ги закачите за закопчалките.



## ДОЛНА КОШНИЦА



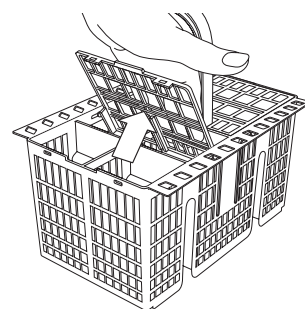
(пример за зареждане на долната кошница)

За тенджери, капаци, чинии, купи за салата и т.н. Едрите чинии и капаци следва в идеалния случай да се поставят отстрани, за да не възпрепятстват разпръскващото рамо.

## КОШНИЧКА ЗА ПРИБОРИ

Оборудвана е с горни решетки за по-добро подреждане на приборите. Тя трябва да се позиционира само от предната страна на долната кошница.

**Ножовите и другите прибори с остри ръбове трябва да се поставят в кошничката за прибори с остриетата надолу или да се позиционират хоризонтално в наклонящите се отделения на горната кошница.**



# ВСЕКИДНЕВНА УПОТРЕБА

## 1. ПРОВЕРКА НА ВОДНАТА ВРЪЗКА

Проверете дали съдомиялната машина е свързана към водопроводната мрежа и дали кранът е отворен.

## 2. ВКЛЮЧЕТЕ СЪДОМИЯЛНАТА МАШИНА

Отворете вратичката и натиснете бутона **ВКЛ./ИЗКЛ.**

## 3. ЗАРЕДЕТЕ КОШНИЦИТЕ

(вж. ЗАРЕЖДАНЕ НА КОШНИЦИТЕ)

## 4. ЗАРЕЖДАНЕ НА ДОЗАТОРА ЗА МИЯЛЕН ПРЕПАРАТ

## 5. ИЗБЕРЕТЕ ПРОГРАМАТА И ПЕРСОНАЛИЗИРАЙТЕ ПРОГРАМАТА

Изберете най-подходящата програма според вида на съдовете и нивото на замърсяване (вж. ОПИСАНИЕ НА ПРОГРАМИТЕ) чрез натискане на бутона **P**.

Изберете желаните опции (вж. ОПЦИИ И ФУНКЦИИ).

## 6. СТАРТ

Стартирайте цикъла на измиване, като натиснете бутона **СТАРТ/Пауза** (светодиодът светва) и затворете вратичката в рамките на 4 секунди. Когато програмата стартира, се чува еднократен сигнал. Ако вратичката не бъде затворена в рамките на 4 секунди, ще се възпроизведе звукова аларма. В този случай отворете вратичката, натиснете бутона **СТАРТ/Пауза** и отново затворете вратичката в рамките на 4 секунди.

## 7. КРАЯТ НА ПРОГРАМАТА

Завършването на цикъла на миене се сигнализира със звуков сигнал и от мигане на индикаторната лампа на избраната програма. Отворете вратичката и изключете уреда, като натиснете бутона **ВКЛ./ИЗКЛ.**

Изчакайте няколко минути, преди да премахнете съдовете, за да избегнете изгаряния. Извадете съдовете, като започнете от долната кошница.

Машината се изключва автоматично при определени продължителни периоди на неактивност, за да сведе до минимум потреблението на енергия.

Ако съдовете са само леко замърсени или ако са изплакнати с вода преди да се поставят в съдомиялната машина, намалете съответно количеството използван препарат.

## МОДИФИЦИРАНЕ НА РАБОТЕЩА ПРОГРАМА

Ако е избрана грешна програма, можете да я промените, при условие че тя е започнала току-що: отворете вратичката, натиснете и задръжте бутона **ВКЛ./ИЗКЛ.**, машината ще се изключи. Включете машината отново с бутона **ВКЛ./ИЗКЛ.** и изберете новата програма за миене и желаните опции; стартирайте програмата, като натиснете бутона **СТАРТ/ПАУЗА** и затворете вратичката в рамките на 4 секунди.

## ДОБАВЯНЕ НА СЪДОВЕ

Без да изключвате машината, отворете вратичката (светодиодът **СТАРТ/ПАУЗА** започва да мига) (**внимание с ГОРЕЩАТА пара!**) и поставете съдовете в миалната машина. Натиснете бутона **СТАРТ/ПАУЗА** и в рамките на 4 секунди затворете вратичката, програмата се възобновява от момента, в който е била прекъсната.

## СЛУЧАЙНИ ПРЕКЪСВАНИЯ

Ако вратичката бъде отворена по време на програма за миене или при прекъсване на захранването, програмата спира. За да подновите програмата, откъдето е прекъсната, натиснете бутона **СТАРТ/ПАУЗА** и затворете вратичката в рамките на 4 секунди.

# ПОЛЕЗНИ СЪВЕТИ

## СЪВЕТИ

Преди да зареждате кошниците, отстранете всички остатъци от храна от съдовете и изпразнете чашите. **Не е нужно да изплаквате предварително с течаща вода.**

Подредете съдовете така, че да се задръжат добре на място и да не се обърнат; и подредете съдовете с отворите надолу и разположете вдлъбнатите/изпъкналите части така, че водата да може да достигне всяка повърхност и да тече свободно.

**Предупреждение:** капациите, дръжките, подносите и тиганите за пържене трябва да не пречат на въртенето на разпръскващите рамене.

Поставете дребните артикули в кошницата за прибори. Много замърсените съдове и тенджери следва да се поставят в долната кошница, тъй като в този сектор водните струи са по-силни и позволяват по-добра ефективност при миене. След като заредите уреда, проверете дали разпръскващите рамене могат да се въртят свободно.

## НЕПОДХОДЯЩИ СЪДОВЕ

- Дървени съдове и прибори.
- Деликатни чаши с декорации, артистични ръчно изработени съдове и антики. Декорациите им не са устойчиви.
- Части от синтетични материали, които не са устойчиви на високи температури.
- Медни и калаени съдове.
- Замърсени с пепел, вощък, грес или мастило съдове.

Цветовете на стъклените декорации и частите от алуминий/сребро могат да се променят и да избледнеят в процеса на миене. Някои видове стъкло (напр. кристалните предмети) могат да станат непрозрачни след няколко измивания.

## ПОВРЕДИ ПО ЧАШИТЕ И СЪДОВЕТЕ

- Използвайте само стъклени и порцеланови съдове, за които производителят гарантира, че са подходящи за съдомиялна машина.
- Използвайте деликатен почистващ препарат, подходящ за Вашите съдове
- Изваждайте чашите и приборите от съдомиялната машина веднага след края на програмата за миене.

## СЪВЕТИ ЗА ПЕСТЕНЕ НА ЕНЕРГИЯ

- Когато домашната съдомиялна машина се използва съгласно инструкциите на производителя, **измиването на посуда в съдомиялна обикновено консумира ПО-МАЛКО ЕНЕРГИЯ И ВОДА в сравнение с миенето на ръка.**
- За да максимизирате ефективността на съдомиялната машина, **препоръчително е да стартирате цикъл на миене, след като машината е заредена докрай. Зареждането на домашната съдомиялна машина до капацитета, посочен от производителя, ще спомогне да спестите енергия и вода.** Информация относно правилното зареждане на посудата можете да намерите в глава ЗАРЕЖДАНЕ НА КОШНИЦИТЕ. При частично зареждане е препоръчително да използвате специално предназначения опции (Half load/ Zone Wash/ Multi-zone), като напълните само избраните кошници. Неправилното зареждане или препълване на съдомиялната машина може да увеличи потреблението на ресурси (като вода, енергия и време, както и да увеличи нивото на шум), което ще намали ефективността на измиване и сушене.
- Предварителното изплакване на посудата на ръка води до увеличено потребление на вода и енергия, затова не е препоръчително.

## ХИГИЕНА

За да избегнете мирисми и утайки, които могат да се натрупат в съдомиялната машина, **моля, пускайте програма при висока температура най-малко веднъж месечно.** Използвайте супена лъжица препарат и пуснете уреда без да зареждате съдове, за да го почистите.

# ГРИЖИ И ПОДДРЪЖКА

## ПОЧИСТВАНЕ НА ФИЛТЪРНИЯ ВЪЗЕЛ

Почиствайте филтърния възел редовно, така че филтрите да не се запушват и отпадъчната вода да се източва правилно.

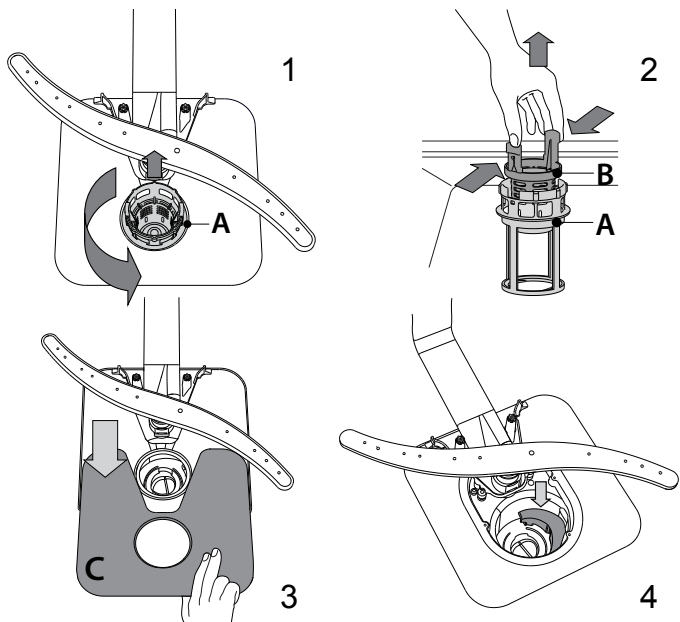
Използването на съдомиялната машина със запушени филтри или външни предмети във филтриращата система или пръскащите рамена, може да влоши работата на уреда и да доведе до намаляване на работните характеристики, шум по време на работа или повишено потребление на ресурси.

Филтърният възел се състои от три филтъра, които премахват остатъците от храна от водата от измиване и след това рециркулират водата.

**Съдомиялната машина не трябва да се използва без филтри или ако филтърът е разхлабен.**

Най-малко веднъж месечно или на всеки 30 цикъла проверявайте филтърния блок и при необходимост го почиствайте старателно с течаща вода, като използвате неметална четка и следвайте инструкциите по-долу:

1. Завъртете цилиндричния филтър **A** обратно на часовниковата стрелка и го издърпайте (Фиг. 1).
2. Свалете филтъра чашка **B**, като приложите лек натиск върху страничните капаци (Фиг. 2).
3. Плъзнете навън филтъра-пластина от неръждаема стомана **C** (Фиг. 3).
4. В случай че намерите външни предмети (като счупени стъкла, порцелан, кости, семена на плодове и др.), **внимателно ги отстранете**.
5. Проверете уловителя и премахнете остатъците от храна. **НИКОГА НЕ МАХАЙТЕ** предпазителя на помпата за цикъла на измиване (черния елемент) (Фиг. 4).



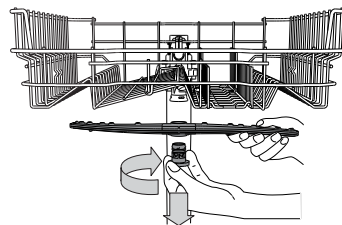
След почистване на филтрите поставете филтърния блок отново и го закрепете правилно на място; това е от ключово значение за поддържане на ефективната работа на съдомиялната машина.

## ПОЧИСТВАНЕ НА МАРКУЧА ЗА ПОДАВАНЕ НА ВОДА

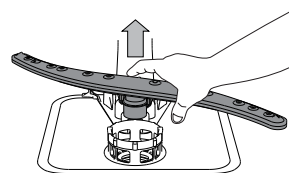
Ако маркучите за вода са нови или не са използвани продължително време, оставете водата да тече, за да се уверите, че е прозрачна и без замърсявания, преди да изпълнявате нужните връзки. Ако тази предпазна мярка не бъде взета, входът за вода може да се блокира и да повреди съдомиялната машина.

## ПОЧИСТВАНЕ НА РАЗПРЪСКВАЩИТЕ РАМЕНЕ

Понякога остатъците от храна е възможно да засъхнат върху разпръскащите рамена и да запушат отворите за разпръскване на вода. Следователно се препоръчва да проверявате раменете от време на време и да ги почиствате с малка неметална четка.



За сваляне на горното рамо за пръскане, завъртете пластмасовия заключващ пръстен по посока на часовниковата стрелка. Горното разпръскащо рамо следва да се поставя така, че страната с по-голям брой отвори да е насочена нагоре.



Можете да свалите долното разпръскащо рамо, като го издърпате нагоре.

## СИСТЕМА ЗА ОМЕКОТЯВАНЕ НА ВОДАТА

Омекотителят за вода намалява автоматично твърдостта на водата, като по този начин предотвратява натрупването на варовик по нагревателя и повишава ефективността при почистване.

**Системата се регенерира сама със сол, затова е необходимо да допълвате контейнера със сол, когато се изпразни.**

Честотата на регенериране зависи от настройката на нивото на твърдост на водата - регенерирането се извършва веднъж на всеки 5 цикъла Есо с ниво на твърдост на водата, зададено на 3. Процесът на регенериране започва във фазата на последното изплакване и завършва във фазата на сушене, преди цикълът да завърши.

- Едно регенериране използва: ~3,5 литра вода;
- Към цикъла се добавят 5 допълнителни минути;
- Консумират се по-малко от 0,005 kWh енергия.



# ОТСТРАНЯВАНЕ НА НЕИЗПРАВНОСТИ

В случай че съдомиялната машина не работи нормално, проверете дали проблемът може да бъде решен, като прегледате следния списък. За други грешки или неизправности се свържете с отдела за следпродажбено обслужване, като данните за контакт можете да намерите в книжката за гаранцията. Резервните части ще бъдат налични за период от 7 или до 10 години, в съответствие със специфичните изисквания на регламента.

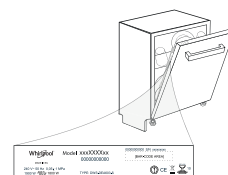
ПРОБЛЕМИ	ВЪЗМОЖНИ ПРИЧИНИ	РЕШЕНИЯ
 Индикаторът за сол свети	Резервоарът за сол е празен. (След допълване на сол индикаторът може да остане да свети още няколко цикъла на миене).	Напълнете отново резервоара със сол (за повече информация – вж. стр. 2). Регулирайте твърдостта на водата – вижте таблицата, стр. 2.
 Индикаторът за препарат за блясък свети	Дозаторът за препарат за блясък е празен. (След допълване на препарат за блясък индикаторът може да остане да свети още няколко цикъла на миене).	Напълнете отново дозатора на препарата за блясък (за повече информация – вж. стр. 2).
Съдомиялната машина не стартира или не реагира на команди.	Уредът не е включен в контакта както трябва.	Включете щепсела в контакта.
	Спиране на захранването.	От съображения за безопасност съдомиялната машина може да не стартира автоматично след пускане на електрозахранването. Отворете вратичката, натиснете бутона СТАРТ/Пауза и затворете вратичката в рамките на 4 секунди.
	Вратичката на съдомиялната не е затворена.	Натиснете вратичката силно, докато чуete щракване.
	Цикълът е прекъснат от отваряне на вратичката за повече от 4 секунди.	Натиснете СТАРТ/Пауза и затворете вратичката в рамките на 4 секунди.
Съдомиялната машина не източва.	Не реагира на команди.	Изключете уреда, като натиснете бутона <b>ВКЛ./ИЗКЛ.</b> , включете я отново след около една минута и нулирайте програмата. Ако проблемът не бъде отстранен, изключете уреда от щепсела за 1 минута и отново включете щепсела.
	Програмата все още не е завършила.	Изчакайте програмата да завърши.
	Маркучът за източване е прегънат.	Проверете дали маркучът за източване не е прегънат (вж. ИНСТРУКЦИЯ ЗА МОНТАЖ).
	Тръбата за източване на мивката е запушена.	Почистете тръбата за източване на мивката.
Съдомиялната създава прекомерно много шум.	Филтърът е запушен с остатъци от храна	Почистете филтъра (вж. ПОЧИСТВАНЕ НА ФИЛТЪРНИЯ МЕХАНИЗЪМ).
	Съдовете тракат един в друг.	Подредете съдовете правилно (вж. ЗАРЕЖДАНЕ НА КОШНИЦИТЕ).
Съдовете не са почистени.	Създадо се е прекалено голямо количество пяна.	Препаратът не е измерен правилно или не е подходящ за използване в съдомиялни машини (вж. ДОПЪЛВАНЕ НА ДОЗАТОРА ЗА ПОЧИСТВАЩ ПРЕПАРАТ). Рестартирайте текущия цикъл, като изключите и отново включите съдомиялната машина, изберете нова програма, натиснете СТАРТ/Пауза и затворете вратичката в рамките на 4 секунди. Не добавяйте никакъв измиващ препарат.
	Съдовете не са подредени както трябва.	Подредете съдовете правилно (вж. ЗАРЕЖДАНЕ НА КОШНИЦИТЕ).
	Разпръскващите рамене не могат да се въртят свободно, тъй като са възпрепятствани от съдовете.	Подредете съдовете правилно (вж. ЗАРЕЖДАНЕ НА КОШНИЦИТЕ).
	Цикълът на измиване е твърде лек.	Изберете подходящ цикъл на измиване (вж. ТАБЛИЦА С ПРОГРАМИ).
	Създадо се е прекалено голямо количество пяна.	Препаратът не е измерен правилно или не е подходящ за използване в съдомиялни машини (вж. ДОПЪЛВАНЕ НА ДОЗАТОРА ЗА ПОЧИСТВАЩ ПРЕПАРАТ).
	Капачката на отделението за помощно средство за изплакване не е затворена правилно.	Уверете се, че капачката на дозатора за помощно средство за изплакване е затворена.
Съдомиялната машина не зарежда вода.	Филтърът е замърсен или запушен.	Почистете филтърния механизъм (вж. ГРИЖА И ПОДДРЪЖКА).
	Няма сол.	Допълнете резервоара за сол (вж. ДОПЪЛВАНЕ НА РЕЗЕРВОАРА ЗА СОЛ).
	Не се подава вода или кранът е затворен.	Уверете се, че се подава вода или кранът е отворен.
	Маркучът за подаване на вода е прегънат.	Уверете се, че маркучът за подаване на вода не е прегънат (вижте ИНСТАЛИРАНЕ), включете нова програма на съдомиялната и я рестартирайте.
Всички светодиоди са мига бързо	Мрежестият филтър в маркуча за подаване на вода е запушен; необходимо е да го почистите.	След изпълняване на проверката и почистването изключете и включете съдомиялната машина и рестартирайте нова програма.
Съдомиялната машина спира цикъла преждевременно.	Маркучът за източване е поставен твърде ниско или водата се източва в домашната канализационна система.	Проверете дали краят на маркуча за източване е поставен на правилната височина (вижте ИНСТАЛИРАНЕ). Проверете за източване в домашната канализационна система и ако е необходимо, монтирайте въздушен вентил.
	Въздух в системата за подаване на вода.	Проверете системата за подаване на вода за течове или други проблеми, водещи до навлизане на въздух.



**Фирмени политики, стандартна документация, поръчка на резервни части и допълнителна информация за продукти можете да намерите на:**

- Посетите нашия уебсайт [docs.hotpoint.eu](http://docs.hotpoint.eu) и [parts-selfservice.whirlpool.com](http://parts-selfservice.whirlpool.com)
- Използвайте QR кода
- Като алтернатива можете да се свържете с отдела за следпродажбено обслужване (вижте телефонния номер в гаранционната книжка). При контакт с отдела за следпродажбено обслужване на клиенти съобщавайте кодовете, посочени на заводската табелка на Вашия уред.

Информацията за модела може да бъде извлечена чрез сканиране на QR кода на етикета за енергийния клас. На етикета също така е даден идентификатор на модела, който може да се използва за достъп до портала на регистъра на адрес <https://eprel.ec.europa.eu>



---

**400011645847B**

07/2023 dk - Xerox Fabriano





# GUIDE D'UTILISATION QUOTIDIENNE

## D'UTILISATION QUOTIDIENNE



**MERCI D'AVOIR CHOISI UN PRODUIT HOTPOINT ARISTON.** Afin de recevoir une assistance plus complète, merci d'enregistrer votre appareil sur on: [www.hotpoint.eu/register](http://www.hotpoint.eu/register)

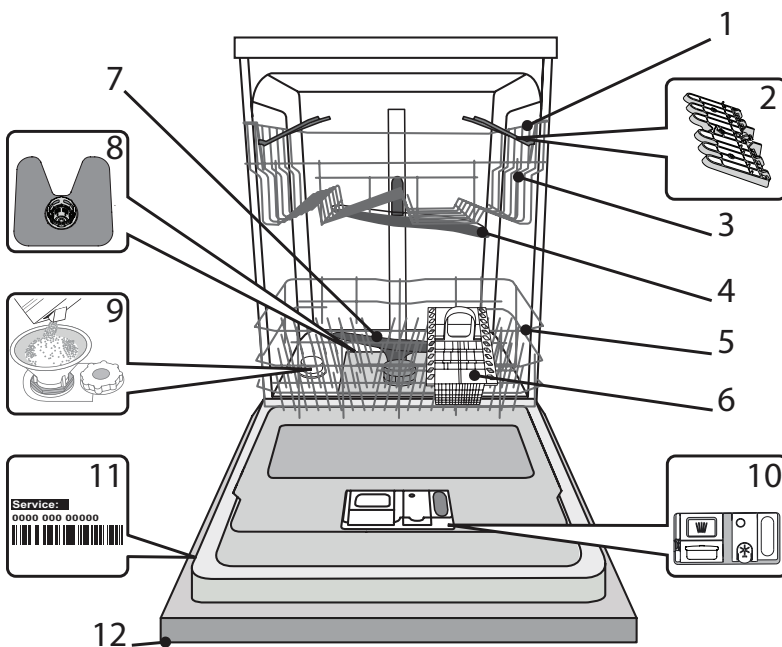


Vous pouvez télécharger les Consignes de sécurité et le Manuel de l'utilisateur, en visitant notre site Internet [docs.hotpoint.eu](http://docs.hotpoint.eu) et en suivant les instructions figurant au verso du présent fascicule.

**Avant d'utiliser l'appareil, lisez attentivement les Consignes de sécurité.**

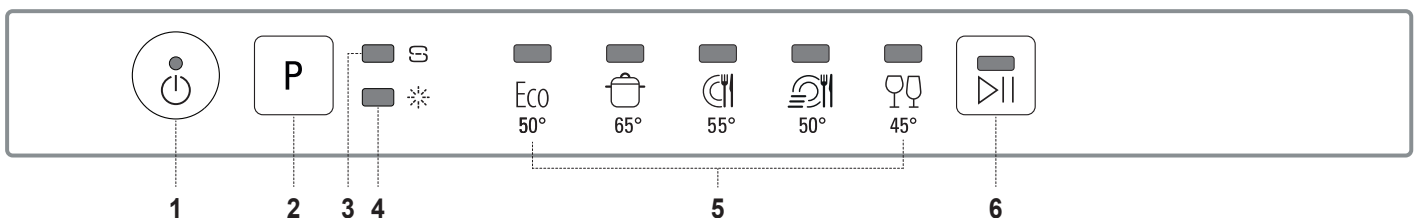
## DESCRIPTION DU PRODUIT

### APPAREIL



1. Panier supérieur
2. Volets pliables
3. Bouton de réglage de la hauteur du panier supérieur
4. Bras d'aspersion supérieur
5. Panier inférieur
6. Panier à couver
7. Bras d'aspersion inférieur
8. Ensemble filtre
9. Réservoir à sel
10. Distributeurs de détergent et liquide de rinçage
11. Plaque signalétique
12. Panneau de commande

### PANNEAU DE COMMANDE



1. Touche Marche-Arrêt/Réinitialisation avec le voyant
2. Sélecteur de programme
3. Voyant de niveau de sel
4. Voyant de niveau de liquide de rinçage
5. Voyants de programme
6. Touche Départ/Pause avec le voyant

# PREMIÈRE UTILISATION

## SEL, LIQUIDE DE RINÇAGE, ET DÉTERGENT


### CONSEILS AU SUJET DE LA PREMIÈRE UTILISATION

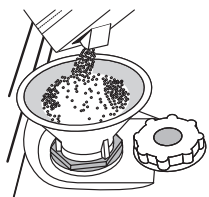
Après l'installation, enlevez les boulons d'arrêt sur les paniers et les éléments élastiques qui retiennent le panier supérieur.

### REMPILIR LE RÉSERVOIR DE SEL

L'utilisation de sel empêche la formation de CALCAIRE sur la vaisselle et sur les composantes fonctionnelles de l'appareil.

- Le **RÉSERVOIR DE SEL NE DOIT JAMAIS ÊTRE VIDE.**
- Il est important de régler la dureté de l'eau.

Le réservoir de sel est situé dans la partie inférieure du lave-vaisselle (voir DESCRIPTION DU PRODUIT) et il doit être rempli quand le voyant NIVEAU DE SEL  est allumé sur le panneau de commande.



1. Enlevez le panier inférieur et dévissez le bouchon du réservoir (sens antihoraire).
2. La première fois uniquement, vous devez effectuer l'opération suivante : Remplissez d'eau le réservoir à sel.
3. Placez l'entonnoir (voir figure) et remplissez le réservoir de sel jusqu'au bord (environ 1 kg); il est normal qu'un peu d'eau déborde.
4. Enlevez l'entonnoir et essuyez les résidus de sel autour de l'ouverture.

Assurez-vous que le bouchon est bien serré pour éviter que du détergent pénètre dans le réservoir durant le cycle de lavage (le réservoir pourrait s'endommager au point de ne plus être réparable).

**Après chaque ajout de sel dans le réservoir, il est obligatoire de lancer immédiatement un cycle de lavage afin d'éviter toute corrosion de la cuve.**

### RÉGLER LA DURETÉ DE L'EAU

Pour que l'adoucisseur d'eau fonctionne à la perfection, il est important de régler la dureté de l'eau aux conditions existantes dans votre résidence. Cette information peut être obtenue de votre fournisseur d'eau local.

L'usine règle la valeur par défaut de la dureté de l'eau.

- Allumer l'appareil en appuyant sur la touche **MARCHE/ARRÊT.**
- Éteindre l'appareil en appuyant sur la touche **MARCHE/ARRÊT.**
- Appuyer sur la touche **P** pendant 5 secondes ; un bip se fait entendre.
- Allumer l'appareil en appuyant sur la touche **MARCHE/ARRÊT.**
- Le voyant pour le programme du niveau de réglage actuel clignote
- Appuyer sur la touche **P** pour sélectionner le niveau de dureté désiré (voir TABLEAU DE DURETÉ DE L'EAU).

Level		°dH	°fH	°Clark
		Degrés allemand	Degrés français	Degrés anglais
1	Très douce	0 - 6	0 - 10	0 - 7
2	Moyenne	7 - 11	11 - 20	8 - 14
3	Douce	12 - 16	21 - 29	15 - 20
4	Dure	17 - 34	30 - 60	21 - 42
5	Très dure	35 - 50	61 - 90	43 - 62

- Éteindre l'appareil en appuyant sur la touche **MARCHE/ARRÊT.**
- Le réglage est terminé !

Une fois cette opération complétée, lancez un programme sans charger le lave-vaisselle.

**Utilisez seulement le sel spécialement conçu pour les lave-vaisselles.**

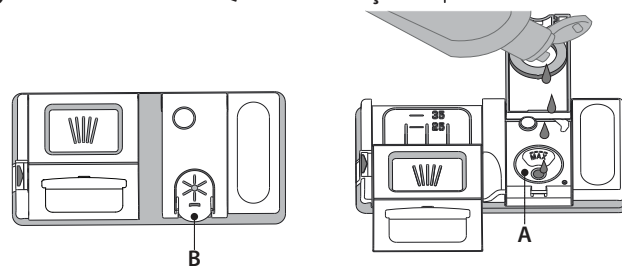
Lorsque le sel est versé dans l'appareil, le voyant AJOUTER DU SEL s'éteint.

**Si le contenant de sel n'est pas rempli, l'adoucisseur et l'élément chauffant peuvent être endommagés à cause de l'accumulation de calcaire.**

**L'utilisation de sel est recommandée avec n'importe quel type de lessive pour lave-vaisselle.**

### REMPILIR LE DISTRIBUTEUR DE LIQUIDE DE RINÇAGE

Le liquide de rinçage permet à la vaisselle de SÉCHER plus facilement. Le distributeur de liquide de rinçage **A** devrait être rempli lorsque le voyant de NIVEAU DE LIQUIDE DE RINÇAGE  est allumé à l'écran.



1. Ouvrez le distributeur **B** en appuyant et en tirant sur l'onglet sur le couvercle.
  2. Versez doucement du liquide de rinçage jusqu'à la marque de référence (110 ml) du réservoir de remplissage - évitez les débordements. Si cela se produit, nettoyez les dégâts immédiatement avec un linge sec.
  3. Appuyez sur le bouchon pour le fermer; un clic se fait entendre.
- Ne JAMAIS verser le liquide de rinçage directement dans la cuve.**

### AJUSTER LE DOSAGE DU LIQUIDE DE RINÇAGE

Si vous n'êtes pas complètement satisfait avec le séchage, vous pouvez ajuster la quantité de liquide de rinçage utilisée.

- Allumez le lave-vaisselle en utilisant la touche **MARCHE/ARRÊT.**
- Éteignez-le en utilisant la touche **MARCHE/ARRÊT.**
- Appuyez sur la touche **P** à trois reprises - vous entendrez un bip.
- Allumez-le en utilisant la touche **MARCHE/ARRÊT.**
- Le voyant pour le programme du niveau de réglage actuel clignote.
- Appuyez sur la touche **P** pour sélectionner la quantité de liquide de rinçage qui doit être utilisée.
- Éteignez-le en utilisant la touche **MARCHE/ARRÊT**

Le réglage est terminé !

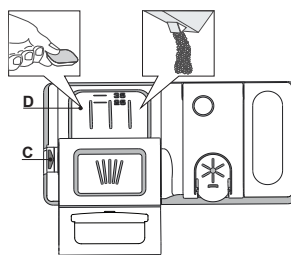
Si le niveau de liquide de rinçage est à 1 (ÉCO), il n'y aura pas de liquide de rinçage distribué.

Un maximum de 5 niveaux peuvent être réglés selon le modèle du lave-vaisselle. Les réglages d'usine sont spécifiques au modèle, merci de suivre les instructions ci-dessus pour vérifier ceux qui s'appliquent à votre machine.

- Si vous observez des traces bleuâtres sur la vaisselle, placez sur un niveau plus bas (2-3).
- Si vous observez des gouttelettes d'eau ou des traces de calcaire sur la vaisselle, placez sur un niveau plus haut (4-5).

### REMPILIR LE DISTRIBUTEUR DE DÉTERGENT

**Pour ouvrir le distributeur de détergent, utilisez le dispositif d'ouverture C. Insérez le détergent dans le distributeur sec D seulement. Placez la quantité de détergent pour le pré lavage directement dans la cuve.**








1. Lorsque vous mesurez la lessive, consultez les informations mentionnées précédemment pour ajouter la quantité correcte. À l'intérieur du distributeur **D** se trouvent des indications pour aider au dosage de la lessive.
2. Enlevez les résidus de détergent sur le bord des récipients avant de fermer le couvercle; un clic se fait entendre.
3. Fermez le couvercle du distributeur de détergent en le tirant vers le haut jusqu'à ce que le dispositif soit fermement en place.

Le distributeur de détergent s'ouvre automatiquement, au moment déterminé par le programme.

**L'utilisation d'un détergent non-conçu pour les lave-vaisselles peut provoquer un dysfonctionnement ou des dommages à l'appareil.**

# TABLEAU DES PROGRAMMES

Programme	Séchage	Durée du programme de lavage (h:min) <sup>*)</sup>	Consommation d'eau (l/cycle)	Consommation d'énergie (kWh/cycle)
1. Éco  50°	✓	3:20	12,0	1,04
2. Intensif  65°	✓	2:30	16,0	1,50
3. Mixte  55°	✓	2:25	16,0	1,35
4. Lavage rapide  50°	-	1:00	11,5	1,10
5. Délicat  45°	✓	1:30	11,5	1,10

Les données du programme Éco sont mesurées sous des conditions en laboratoire conformément à la norme européenne EN 60436:2020.

Note pour les laboratoires d'essai : pour toutes informations sur les conditions d'essai comparatif EN, s'adresser à : [dw\\_test\\_support@whirlpool.com](mailto:dw_test_support@whirlpool.com)

Aucun prétraitement de la vaisselle n'est nécessaire avant l'un quelconque des programmes.

\*) Les valeurs indiquées pour des programmes différents du programme Éco sont fournis à titre indicatif uniquement. Le temps réel peut varier selon des facteurs comme la température et la pression de l'eau, la température de la pièce, la quantité de détergent, la quantité et le type de vaisselle, l'équilibre de la charge, les options supplémentaires sélectionnées, et la calibration du capteur. La calibration du capteur peut augmenter la durée du programme jusqu'à 20 minutes.

## DESCRIPTION DES PROGRAMMES

### Consignes pour la sélection du cycle de lavage.

#### 1 ÉCO

Le programme Éco est adapté pour nettoyer la vaisselle normalement sale, et pour cette utilisation, c'est le programme le plus efficace en termes d'énergie combinée et de consommation d'eau, et il est utilisé pour évaluer la conformité à la législation européenne en matière d'éco-conception.

#### 2 INTENSIF

Programme conseillé pour une vaisselle très sale, particulièrement adapté pour les poêles et les casseroles (ne pas utiliser avec la vaisselle délicate).

#### 3 MIXTE

Saleté mixte. Pour la vaisselle normalement sale avec des résidus de nourriture secs.

#### 4 LAVAGE RAPIDE

Programme pour peu de vaisselle normalement sale. Assure un nettoyage impeccable en très peu de temps.

#### 5 DÉLICAT

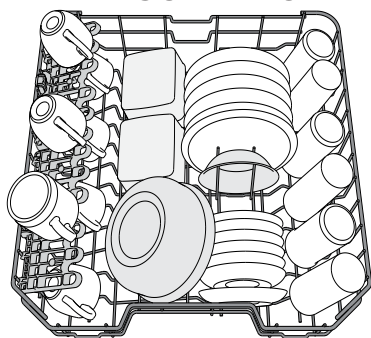
Programme pour la vaisselle délicate, plus sensible aux températures élevées, comme les verres et les tasses.

#### Remarques :

Il convient de noter que le cycle *Lavage rapide* est destiné uniquement à la vaisselle légèrement sale.

# CHARGEMENT DES PANIERS

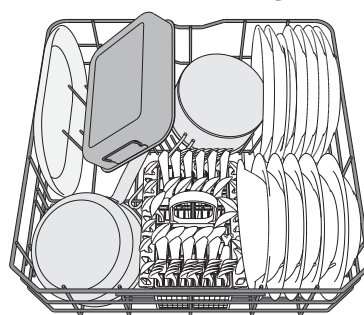
## PANIER SUPÉRIEUR



(exemple de chargement du panier supérieur)

Chargez la vaisselle délicate et légère: verres, tasses, soucoupes, saladiers bas.

## PANIER INFÉRIEUR



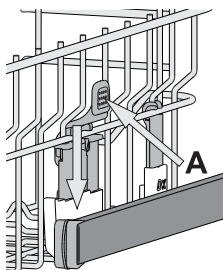
(exemple de chargement du panier inférieur)

Pour les poêles, les couvercles, les plats, les saladiers, les couverts, etc. Les grands plats et les grands couvercles devraient être placés sur le côté pour éviter qu'ils n'entravent le fonctionnement des bras d'aspersion.

## AJUSTER LA HAUTEUR DU PANIER SUPÉRIEUR

Vous pouvez ajuster la hauteur du panier supérieur : position élevée pour placer la vaisselle encombrante sur le panier inférieur, et la position basse pour profiter au maximum des supports rabattables et créant plus d'espace vers le haut et éviter les chocs avec les articles sur le panier inférieur.

Le panier supérieur comprend un **dispositif de réglage de la hauteur du panier supérieur** (voir figure), sans appuyer sur les leviers, simplement soulever en tenant le panier sur les côtés jusqu'à ce qu'il soit stable en position élevée. Pour abaisser le panier, appuyez sur les leviers **A** sur les côtés du panier et déplacez-le vers le bas.

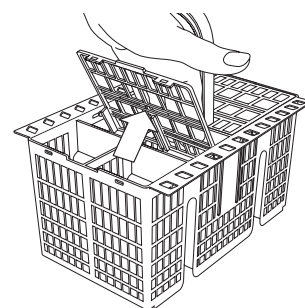


**Nous vous conseillons fortement de ne pas ajuster la hauteur du panier lorsqu'il est chargé. Ne JAMAIS soulever ou abaisser un seul côté du panier.**

## PANIER À COUVERT

Le panier comprend des grilles supérieures pour placer les couverts plus facilement. Le panier à couvert doit uniquement être placé à l'avant du panier inférieur.

**Les couteaux et autres ustensiles avec des bords tranchants doivent être placés dans le panier à couvert avec la pointe vers le bas, ou placés à l'horizontale dans le compartiment rabattable sur le panier supérieur.**



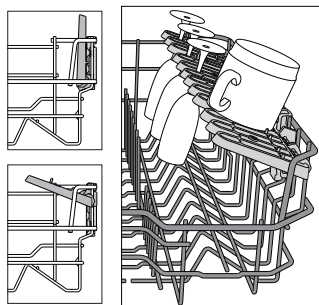
## VOLETS PLIABLES AVEC POSITIONS AJUSTABLES

Les volets pliables latéraux peuvent être pliés ou dépliés afin d'optimiser la disposition de la vaisselle à l'intérieur du rack.

Les verres de vin peuvent être placés de façon sécuritaire dans les volets pliables en insérant le pied de chaque verre dans la fente correspondante.

Selon le modèle :

- pour déplier les volets, il est nécessaire de les coulisser vers le haut et de les tourner ou de les libérer des griffes et de les tirer vers le bas.
- pour replier les volets, il est nécessaire de les tourner et de les faire coulisser vers le bas ou de les tirer vers le haut et de fixer les pattes aux griffes



# UTILISATION QUOTIDIENNE

## 1. VÉRIFIER LE BRANCHEMENT DE L'EAU

Assurez-vous que l'appareil est raccordé à un réseau d'alimentation et que le robinet de l'eau est ouvert.

## 2. ALLUMER LE LAVE-VAISSELLE

Ouvrez la porte et appuyez sur la touche **MARCHE/ARRÊT**.

## 3. CHARGER LES PANIERS (voir CHARGEMENT DES PANIERS).

## 4. REMPLIR DE DISTRIBUTEUR DE DÉTERGENT

## 5. CHOISIR LE PROGRAMME ET PERSONNALISER LE CYCLE

Sélectionnez le meilleur programme selon le type de vaisselle et le niveau de saleté (voir DESCRIPTION DES PROGRAMMES) en appuyant sur la touche **P**.

Sélectionnez les options désirées (voir OPTIONS ET FONCTIONS).

## 6. DÉMARRER

Démarrez le cycle de lavage en appuyant sur le bouton **DÉPART/Pause** (le témoin est allumé) et en fermant la porte dans les 4 secondes. Quand le programme démarre, vous entendez un bip simple. Si la porte n'a pas été fermée dans les 4 secondes, le signal d'alarme est activé. Dans ce cas, ouvrez la porte, appuyez sur le bouton **DÉPART/Pause** et fermez de nouveau la porte dans les 4 sec.

## 7. FIN DU CYCLE DE LAVAGE

La fin du cycle de lavage est indiquée par des bips et par le clignotement du voyant du programme sélectionné. Ouvrez la porte et éteignez l'appareil en appuyant sur la touche **MARCHE/ARRÊT**. Pour éviter de vous brûler, attendez quelques minutes avant de retirer la vaisselle. Déchargez les paniers en commençant par le panier inférieur.

L'appareil s'éteint automatiquement durant des périodes d'inactivité prolongées pour réduire la consommation d'énergie. Si la vaisselle est légèrement sale ou si elle a été rincée avec à l'eau avant d'être placée dans le lave-vaisselle, réduisez la quantité de détergent utilisée en conséquence.

## MODIFIER UN PROGRAMME EN COURS

Si vous avez sélectionné le mauvais programme, vous pouvez le changer, à condition que ce soit fait au tout début du cycle: ouvrir la porte, appuyer sur le bouton **MARCHE/ARRÊT** et le maintenir enfoncé, la machine s'éteindra.

Rallumez l'appareil en appuyant sur la touche **MARCHE/ARRÊT** et sélectionnez le nouveau cycle de lavage et les options désirées ; lancer le cycle en appuyant sur le bouton **DÉPART/Pause** et en fermant la porte dans les 4 sec.

## AJOUTER DE LA VAISSELLE

Sans éteindre la machine, ouvrez la porte (Le voyant **DÉPART/Pause** commencera à clignoter) (**attention à la vapeur CHAUDE !**) et placer la vaisselle à l'intérieur du lave-vaisselle. Appuyez sur le bouton **DÉPART/Pause** et fermer la porte dans les 4 sec, le cycle reprendra à l'endroit où il a été interrompu.

## INTERRUPTIONS IMPRÉVUES

Si la porte est ouverte pendant le cycle de lavage, ou s'il y a une coupure de courant, le cycle s'arrête. Pour reprendre le cycle à l'endroit où il a été interrompu, appuyez sur le bouton **DÉPART/Pause** et fermer la porte dans les 4 sec.

# AVIS ET CONSEILS

## CONSEILS

Avant de charger les paniers, enlevez tous les résidus de nourriture sur la vaisselle et videz les verres. **Vous n'avez pas besoin de rincer la vaisselle avant de la placer dans le lave-vaisselle.**

Placez la vaisselle pour qu'elle tienne bien en place et ne risque pas de tomber; et placez les récipients avec les ouvertures vers le bas et les parties concaves/convexes de côté pour permettre à l'eau d'atteindre toutes les surfaces et couler librement.

**Avertissement :** les couvercles, poignées, plaques et poêles à frire n'empêchent pas les bras d'aspersion de tourner. Placez les petits articles dans le panier à couvert. La vaisselle et les casseroles très sales devraient être placées sur le panier inférieur car les jets d'eau sont plus forts dans cette section et permet un meilleur rendement lors du lavage. Après avoir chargé l'appareil, assurez-vous que les bras d'aspersion peuvent bouger librement.

## VAISSELLE QUI NE CONVIENT PAS

- Vaisselle et couverts en bois.
- Verres décoratifs délicats, produits artisanaux, et vaisselle antique. Les garnitures ne sont pas résistantes.
- Les pièces en matériel synthétique qui ne supportent pas les hautes températures.
- La vaisselle en cuivre ou en étain.
- La vaisselle tachée de cendre, de cire, de graisse lubrifiante, ou d'encre.

Les couleurs des garnitures de verre et des pièces d'aluminium/argent peuvent changer et ternir durant le cycle de lavage. Certains types de verre (p. ex. les objets en cristal) peuvent aussi devenir opaque après plusieurs cycles de lavage.

## VERRES ET VAISSELLE ENDOMMAGÉS

- Seulement utiliser des verres ou de la porcelaine qui sont lavables au lave-vaisselle conformément aux recommandations du fabricant.
- Utilisez un détergent doux, adéquat pour la vaisselle.
- Retirez les verres et les couverts du lave-vaisselle aussitôt que le cycle de lavage est terminé

## ASTUCES SUR L'ÉCONOMIE D'ÉNERGIE

- Lorsque le lave-vaisselle domestique est utilisé conformément aux instructions du fabricant, **le lavage de la vaisselle dans un lave-vaisselle consomme habituellement MOINS D'ÉNERGIE et d'eau que le lavage à la main.**
- Afin d'optimiser l'efficacité du lave-vaisselle, il est recommandé de **débuter le cycle de lavage une fois que le lave-vaisselle est totalement chargé.** Le chargement du lave-vaisselle domestique jusqu'à la capacité indiquée par le fabricant contribuera à économiser de l'énergie et de l'eau. Vous trouverez des informations sur le chargement correct de la vaisselle dans le chapitre CHARGEMENT DES PANIERS. En cas de chargement partiel, il est recommandé d'utiliser des options de lavage spécifiques si elles sont disponibles (Demi-charge / Zone Wash/ Multizone), en remplissant uniquement les paniers sélectionnés. Un chargement incorrect ou une surcharge du lave-vaisselle peut augmenter l'utilisation des ressources (telles que l'eau, l'énergie et le temps, et augmenter le niveau de bruit), en réduisant les performances de nettoyage et de séchage.
- Un pré-rinçage manuel des éléments de vaisselle provoque une augmentation de la consommation d'eau et d'énergie et n'est pas recommandé.

## HYGIÈNE

Pour éviter les odeurs et les dépôts qui pourraient s'accumuler dans le lave-vaisselle, lancer un programme à haute température au moins une fois par mois. Utilisez une cuillère à café de détergent et lancer le programme sans vaisselle pour nettoyer l'appareil.



# NETTOYAGE ET ENTRETIEN

## NETTOYER L'ENSEMBLE FILTRE

Nettoyez régulièrement l'ensemble filtre pour éviter qu'il ne se bouche et pour permettre aux eaux usées de bien s'éliminer.

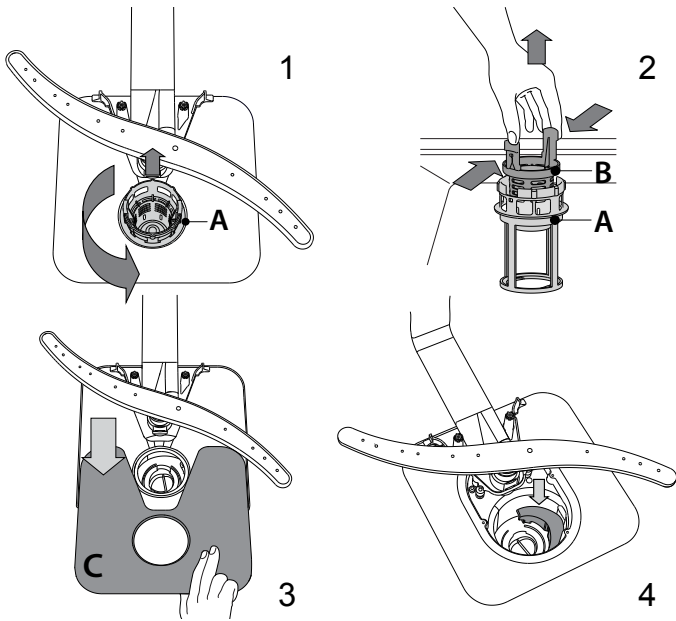
L'utilisation du lave-vaisselle avec des filtres obstrués ou des objets étrangers à l'intérieur du système de filtration ou des bras de pulvérisation peut provoquer un dysfonctionnement de l'unité provoquant une perte de performances, un fonctionnement bruyant ou une utilisation supérieure des ressources.

L'ensemble filtre comprend trois filtres qui séparent les résidus de nourriture de l'eau de lavage pour ensuite faire circuler l'eau.

**N'utilisez pas le lave-vaisselle sans les filtres ou si un filtre est mal ajusté.**

Au moins une fois par mois ou tous les 30 cycles, vérifiez l'assemblage du filtre et si nécessaire, nettoyez-le minutieusement sous l'eau courante, en utilisant une brosse non-métallique et en suivant les instructions ci-dessous :

1. Tournez le filtre cylindrique **A** dans le sens antihoraire et retirez-le (Fig. 1).
2. Enlevez le panier du filtre **B** en appliquant une légère pression sur les volets latéraux (Fig. 2).
3. Retirez la plaque du filtre en acier inoxydable **C** (Fig. 3).
4. Si vous trouvez des objets étrangers (comme du verre brisé, de la porcelaine, des os, des pépins de fruits, etc), enlevez-les minutieusement.
5. Inspecter la cavité et enlever les résidus de nourriture. **NE JAMAIS ENLEVER** la protection de la pompe du cycle de lavage (détails en couleur noir) (Fig 4).



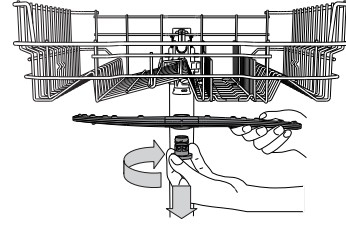
Après avoir nettoyé les filtres, assemblez de nouveau l'ensemble filtre et remettez-le en place correctement; c'est très important pour que le lave-vaisselle garde son efficacité.

## NETTOYER LE TUYAU D'ARRIVÉE D'EAU

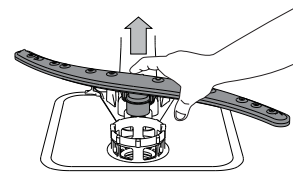
Si les tuyaux d'eau sont neufs ou s'ils n'ont pas été utilisés depuis longtemps, laissez l'eau couler pour vous assurer qu'il n'y a pas d'impureté ou de saleté avant de les brancher. Si vous n'effectuez pas cette opération, l'arrivée d'eau pourrait se boucher et endommager le lave-vaisselle.

## NETTOYER LES BRAS D'ASPERSION

À l'occasion, des résidus de nourriture s'incrument dans les bras d'aspersion et bloquent les trous utilisés pour asperger de l'eau. Il est donc conseillé de vérifier les bras de temps en temps et de les nettoyer avec une petite brosse non métallique.



Pour enlever le gicleur supérieur, tournez l'anneau de verrouillage en plastique dans le sens horaire. Le bras d'aspersion supérieur doit être replacé de façon que le côté avec le plus grand nombre de trous est placé vers le haut.



Le bras d'aspersion inférieur peut être enlevé en le tirant vers le haut.

## SYSTÈME ADOUCISSEUR D'EAU

L'adoucisseur d'eau réduit automatiquement la dureté de l'eau, en empêchant ainsi la formation de calcaire sur la résistance, et en contribuant également à une meilleure performance de nettoyage.

**Ce système se régénère avec du sel, il est donc nécessaire de remplir le bac de sel lorsqu'il est vide.**

La fréquence de régénération dépend du réglage du niveau de dureté de l'eau - la régénération a lieu une fois tous les 5 cycles Eco avec un niveau de dureté de l'eau réglé à 3.



Le processus de régénération débute lors du rinçage final et se termine en phase de séchage avant la fin du cycle.

- Une régénération simple consomme : ~3,5 L d'eau ;
- Prend jusqu'à 5 minutes supplémentaires pour le cycle ;
- Consomme moins de 0,005 kWh d'énergie.



# DÉPANNAGE

Si votre lave-vaisselle ne fonctionne pas correctement, vérifiez si le problème peut être résolu en suivant la liste ci-après. Pour d'autres erreurs ou problèmes, contactez le Service après-vente agréé dont les coordonnées peuvent être trouvées dans le livret de garantie. Les pièces de rechange seront disponibles pour une période allant jusqu'à 7 ou jusqu'à 10 ans, selon les exigences spécifiques du règlement.

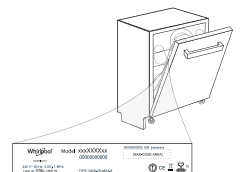
PROBLÈMES	CAUSES POSSIBLES	SOLUTIONS
 L'indicateur de sel est allumé	Le réservoir de sel est vide. (Après le remplissage, il est possible que le voyant du niveau de sel régénérant ne s'éteigne qu'au bout de plusieurs cycles de lavage).	Remplissez le réservoir de sel régénérant (pour plus d'informations, reportez-vous à la page 2). Réglez la dureté de l'eau - reportez-vous au tableau de la page 2.
 Le voyant de liquide de rinçage est allumé	Le distributeur de liquide de rinçage est vide. (Après le remplissage, il est possible que le voyant du niveau de liquide de rinçage ne s'éteigne qu'au bout de plusieurs cycles de lavage).	Remplissez le distributeur de liquide de rinçage (pour plus d'informations, reportez-vous à la page 2).
Le lave-vaisselle ou les commandes ne fonctionnent pas.	L'appareil n'est pas bien branché.	Insérez la fiche dans la prise de courant.
	Panne de courant.	Pour des raisons de sécurité, le lave-vaisselle ne redémarrera pas automatiquement lors du retour de l'alimentation électrique. Ouvrez la porte du lave-vaisselle, appuyez sur le bouton DÉPART/Pause, et fermez la porte dans les 4 secondes.
	La porte du lave-vaisselle n'est pas fermée.	Poussez vigoureusement la porte pour entendre le « clic ».
	Le cycle est interrompu par une ouverture de la porte supérieure à 4 secondes.	Appuyez sur DÉPART/Pause et fermez la porte dans les 4 secondes.
Le lave-vaisselle ne se vidange pas.	Le cycle de lavage n'est pas encore terminé.	Attendre que le cycle se termine.
	Le tuyau de vidange est plié.	Assurez-vous que le tuyau de vidange n'est pas plié (voir <i>CONSIGNES D'INSTALLATION</i> ).
Le lave-vaisselle fait beaucoup de bruit.	Le conduit de vidange de l'évier est bouché.	Nettoyez le conduit de vidange de l'évier.
	Le filtre est bouché par des résidus de nourriture.	Nettoyez le filtre (voir <i>NETTOYAGE DE L'ENSEMBLE FILTRE</i> ).
La vaisselle s'entrechoque.	La vaisselle s'entrechoque.	Remplacez la vaisselle (voir <i>CHARGEMENT DES PANIERS</i> ).
	Il y a une trop grande quantité de mousse.	Le détergent a été mal mesuré ou il n'est pas adéquat pour les lave-vaisselles (voir <i>REmplir LE DISTRIBUTEUR DE DÉTERGENT</i> ). Recommencez le cycle en éteignant le lave-vaisselle, puis en le rallumant, sélectionnez un nouveau programme, appuyez sur DÉPART/Pause et fermez la porte dans les 4 secondes. Merci de ne pas ajouter de détergent.
La vaisselle n'est pas propre.	La vaisselle n'est pas bien placée.	Remplacez la vaisselle (voir <i>CHARGEMENT DES PANIERS</i> ).
	Les bras d'aspersion ne bougent pas librement, ils sont gênés par la vaisselle.	Remplacez la vaisselle (voir <i>CHARGEMENT DES PANIERS</i> ).
	Le cycle de lavage est trop délicat.	Sélectionnez le cycle de lavage approprié (voir <i>TABLEAU DES PROGRAMMES</i> ).
	Il y a une trop grande quantité de mousse.	Le détergent a été mal mesuré ou il n'est pas adéquat pour les lave-vaisselles (voir <i>REmplir LE DISTRIBUTEUR DE DÉTERGENT</i> ).
	Le bouchon du compartiment de liquide de rinçage n'est pas bien fermé.	Assurez-vous que le bouchon du distributeur de liquide de rinçage est fermé.
	Le filtre est sale ou bouché.	Nettoyez l'ensemble de filtre (voir <i>NETTOYAGE ET ENTRETIEN</i> ).
L'eau n'arrive pas au lave-vaisselle.	Il n'y a pas de sel.	Remplir le réservoir de sel (voir <i>REmplir LE RÉSERVOIR DE SEL</i> ).
	L'alimentation d'eau est vide ou le robinet est fermé.	Assurez-vous qu'il y a de l'eau dans le circuit d'alimentation ou que le robinet est ouvert.
Toutes les LED clignotent rapidement	Le tuyau d'arrivée est plié.	Assurez-vous que le tuyau d'entrée n'est pas plié (voir <i>INSTALLATION</i> ) reprogrammez le lave-vaisselle et relancez-le.
	Le tamis dans le tuyau d'arrivée d'eau est obstrué ; il est nécessaire de le nettoyer.	Après avoir complété la vérification et le nettoyage, éteignez et rallumez le lave-vaisselle et redémarrez le programme.
Le lave-vaisselle termine le cycle prématurément	Le tuyau de vidange est positionné trop bas ou se vide dans le système d'évacuation domestique.	Vérifiez si l'extrémité du tuyau de vidange est placée à la hauteur correcte (voir <i>INSTALLATION</i> ). Vérifiez la vidange dans le système d'évacuation domestique, installez une vanne d'admission d'air si nécessaire.
	De l'air est présent dans l'alimentation en eau.	Vérifiez si l'alimentation en eau présente des fuites ou d'autres problèmes laissant entrer de l'air.



**Vous trouverez les documents normatifs, la documentation standard, le classement des pièces de rechange et des informations supplémentaires sur les produits :**

- En visitant notre site Internet [docs.hotpoint.eu](https://docs.hotpoint.eu) et [parts-selfservice.whirlpool.com](https://parts-selfservice.whirlpool.com)
- En utilisant le code QR.
- Vous pouvez également **contacter notre Service après-vente** (voir numéro de téléphone dans le livret de garantie). Lorsque vous contactez notre Service après-vente, veuillez indiquer les codes figurant sur la plaque signalétique de l'appareil.

Les informations relatives au modèle peuvent être trouvées en utilisant le QR-Code figurant sur l'étiquette énergétique. L'étiquette comprend également l'identifiant du modèle qui peut être utilisé pour consulter le portail du registre sur le site <https://eprel.ec.europa.eu>





**400011645847B**  
07/2023 dk - Xerox Fabriano



# VODIČ ZA SVAKODNEVNU UPOTREBU



**ZAHVALJUJEMO VAM NA KUPOVINI PROIZVODA  
HOTPOINT ARISTON.** Kako bismo vam mogli pružiti pot-  
puniju pomoć, registrirajte svoj uređaj na adresi:  
[www.hotpoint.eu/register](http://www.hotpoint.eu/register)

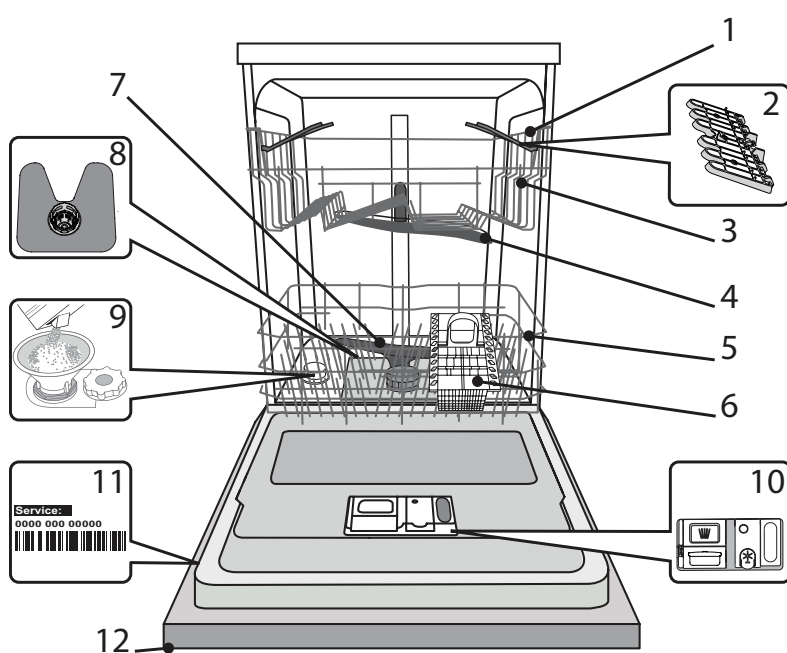


Sigurnosne upute i Korisnički priručnik, možete preuzeti  
tako da posjetite naše web-mjesto [docs.hotpoint.eu](http://docs.hotpoint.eu)  
i slijedite upute na poledini ove knjižice.

**Prije upotrebe uređaja pažljivo pročitate Sigurnosne upute.**

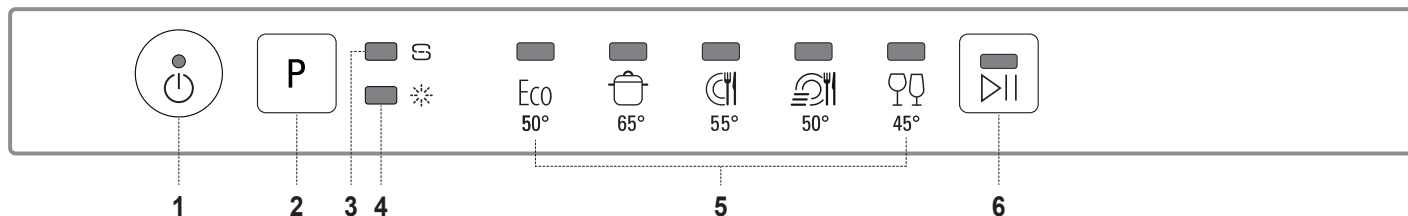
## OPIS PROIZVODA

### UREĐAJ



1. Gornja košara
2. Pomični preklopi
3. Mehanizam za podešavanje gornje košare po visini
4. Gornji nosač prskalice
5. Donja košara
6. Košara za pribor za jelo
7. Donji nosač prskalice
8. Sklop filtra
9. Spremnik za sol
10. Spremnici za deterdžent i sredstvo za ispiranje
11. Natpisna pločica
12. Upravljačka ploča

### UPRAVLJAČKA PLOČA



1. Gumb za uklj/isklj/ponovno postavljanje sa svjetlom indikatora
2. Gumb za odabir programa
3. Svjetlo indikatora za dodavanje sol
4. Svjetlo indikatora za dodavanje sredstva za ispiranje
5. Svjetla indikatora programa
6. Gumb Start/Pauza sa svjetlom indikatora

# PRVA UPOTREBA

## SOL, SREDSTVO ZA ISPIRANJE I DETERDŽENT


### SAVJETI ZA PRVU UPOTREBU

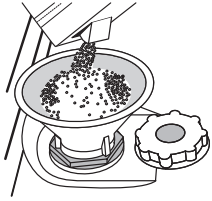
Nakon postavljanje uklonite graničnike s košara i pričvrstne elastične elemente s gornje košare.

### PUNJENJE SPREMNIKA ZA SOL

Upotreba soli sprječava stvaranje kamenca na posuđu i na funkcionalnim sastavnim dijelovima stroja.

- Nužno je pridržavati se toga da **SPREMNIK SOLI NIKADA NIJE PRAZAN**.
- Tvrdća vode mora se postaviti.

Spremnik za sol nalazi se u donjem dijelu perilice posuđa (pogledajte OPIS PROIZVODA) i mora se napuniti kada kada se **svjetlo indikatora PUNJENJE SOLI**  uključi na upravljačkoj ploči.



1. Skinite donju košaru i odvijte čep spremnika (u smjeru suprotnom od smjera kazaljke na satu).
2. **Samo kod prve uporabe: napunite spremnik za sol vodom.**
3. Postavite lijevak (pogledajte sliku) i spremnik soli napunite do samog ruba (približno 1 kg); Curenje male količine vode nije neobično.
4. Uklonite lijevak i obrišite ostatke soli s otvora.

Provjerite je li poklopac čvrsto zategnut tako da deterdžent ne može ući u spremnik tijekom programa pranja (to bi moglo nepovratni oštetiti omekšivač vode).

**Svaki put kada trebate dodati sol obavezno treba završiti cijeli postupak prije početka ciklusa pranja da bi se izbjegla pojava korozije.**

### POSTAVLJANJE TVRDOĆE VODE

Kako bi omekšivač vode mogao savršeno raditi, tvrdoća vode mora se postaviti na temelju stvarne tvrdoće vode u domaćinstvu. Tu informaciju možete dobiti u lokalnom vodoopskrbnom poduzeću.

Zadana vrijednost tvrdoće vode postavlja se u tvornici.

- Uključite uređaj tako da pritisnete gumb za **uključivanje/isključivanje**.
- Uređaj isključite tako da pritisnete gumb za **uključivanje/isključivanje**.
- Držite pritisnutim gumb **P** 5 sekundi dok ne začujete zvučni signal bip.
- Uključite uređaj tako da pritisnete gumb za **uključivanje/isključivanje**.
- Svjetlo indikatora programa trenutno postavljene razine trepće.
- Pritisnite gumb **P** za odabir željene razine tvrdoće (pogledajte **TABLICA TVRDOĆE VODE**).

Tablica tvrdoće vode				
Razina		°dH Njemački stupnjevi	°fH Francuski stupnjevi	°Clark Engleski stupnjevi
1	Meka	0 - 6	0 - 10	0 - 7
2	Srednja	7 - 11	11 - 20	8 - 14
3	Prosječna	12 - 16	21 - 29	15 - 20
4	Tvrda	17 - 34	30 - 60	21 - 42
5	Vrlo tvrda	35 - 50	61 - 90	43 - 62

- Uređaj isključite tako da pritisnete gumb za **uključivanje/isključivanje**.

Postavljanje je dovršeno!

Čim taj postupak završi, pokrenite program bez punjenja.

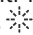
**Upotrebljavajte isključivo sol koja je napravljena posebno za perilice suđa.**

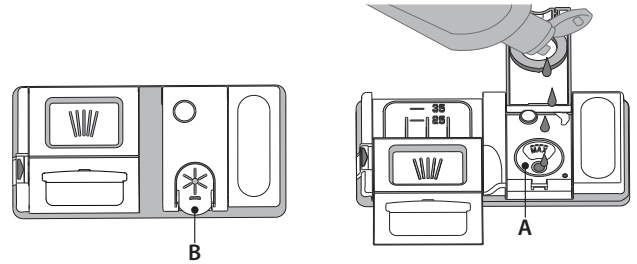
Nakon što se sol ulije u stroj, isključuje se svjetlo indikator PUNJENJE SOLI.

**Ako spremnik za sol nije napunjen zbog nakupljanja kamenca može doći do oštećenje omekšivača vode i grijača.**

**Upotreba soli preporučuje se sa svim vrstama deterdženta za pranje suđa.**

### PUNJENJE DOZATORA SREDSTVA ZA ISPIRANJE

Sredstvo za ispiranje olakšava SUŠENJE posuđa. Dozator sredstva za ispiranje **A** treba se napuniti kada se **svjetlo indikatora PUNJENJE SPREMNIKA ZA ISPIRANJE**  uključi na upravljačkoj ploči.



1. Otvorite dozator **B** tako da pritisnete i povučete jezičac na poklopcu.
2. Pažljivo uvedite sredstvo za ispiranje do referentne oznake maksimalne količine (110 ml) prostora za punjenje, pazite da ne dođe do prolijevanja. Ako se to dogodi, suhom krpom odmah očistite proliveno.
3. Pritisnite poklopac dok se ne zatvori uz klik.

**Sredstvo za ispiranje NIKADA ne ulijevajte izravno u kadicu.**

### PODEŠAVANJE DOZIRANJA SREDSTVA ZA ISPIRANJE

Ako niste potpuno zadovoljni rezultatima sušenja, možete podesiti količinu upotrijebljenog sredstva za ispiranje.

- Perilicu suđa uključite pomoću gumba za **uključivanje/isključivanje**.
- Isključite je pomoću gumba za **uključivanje/isključivanje**.
- Tri puta pritisnite gumb **P**, začut će se zvučni signal bip.
- Uključite je pomoću gumba za **uključivanje/isključivanje**.
- Svjetlo indikatora programa trenutno postavljene razine trepće.
- Pritisnite gumb **P** za odabir razine količine sredstva za ispiranje koja će se upotrijebiti.
- Isključite ga pomoću gumba za **uključivanje/isključivanje**.

Postavljanje je dovršeno!

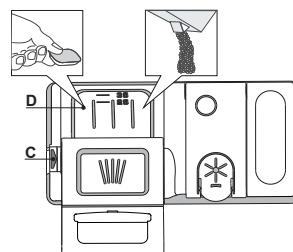
Ako je razina sredstva za ispiranje postavljena na 1 (EKO), sredstvo za ispiranje neće se upotrijebiti.

Ovisno o vrsti perilice suđa mogu se postaviti najviše 5 razine. Tvornička postavka posebno je napravljena za ovaj model, pratite gore navedene upute da biste je provjerili na svom uređaju.

- Ako na suđu primijetite plavičaste pruge, postavite nizak broj (2-3).
- Ako na suđu ima kapi vode ili tragova kamenca, postavite viši broj (4-5).

### PUNJENJE SPREMNIKA ZA DETERDŽENT

**Za otvaranje spremnika za deterdžent upotrijebite uređaj za otvaranje C. Deterdžent stavite samo u suhi spremnik D. Količinu deterdženta za pretpranje stavite izravno u kadu.**



1. Prilikom doziranja deterdženta pogledajte ranije navedene informacije kako biste stavili odgovarajuću količinu. Unutar dozatora **D** nalaze se oznake koje vam pomažu prilikom doziranja.
2. Uklonite ostatke deterdženta s rubova spremnika prije no što poklopac zatvorite tako da sjedne.
3. Poklopac spremnika za deterdžent zatvorite tako da ga povučete dok se mehanizam za zatvaranje ne učvrsti.

Spremnik za deterdžent automatski se otvara u odgovarajućem trenutku ovisno o programu.

**Upotreba deterdženta koji nije namijenjen perilicama posuđa može prouzročiti nepravilnosti ili oštećenje uređaja.**

# TABLICA PROGRAMA

Program	Faza sušenja	Trajanje programa pranja (h:min) <sup>*)</sup>	Potrošnja vode (litara po ciklusu)	Potrošnja energije (kWh po ciklusu)
1. Eko  50°	✓	3:20	12,0	1,04
2. Intenzivno  65°	✓	2:30	16,0	1,50
3. Mješovito  55°	✓	2:25	16,0	1,35
4. Brzo pranje  50°	-	1:00	11,5	1,10
5. Osjetljivo  45°	✓	1:30	11,5	1,10

Podaci EKO programa izmjereni su u laboratorijskim uvjetima u skladu s europskom normom EN 60436:2020.

Napomena za pokusne laboratorije: detaljne informacije o uvjetima za komparativni pokus EN zatražite na adresi: [dw\\_test\\_support@whirlpool.com](mailto:dw_test_support@whirlpool.com)

Prije primjene bilo kojeg programa nije potrebno obraditi posuđe.

\*) Vrijednosti navedene za programe, osim programa Eko, služe isključivo kao informacija. Stvarno vrijeme može se razlikovati ovisno o brojnim čimbenicima kao što su temperatura i tlak ulazne vode, sobna temperatura, količina deterdženta, količina i vrsta punjenja, ravnoteža punjenja, dodatne odabrane opcije i baždarenje senzora. Baždarenje senzora može povećati trajanje programa do 20 min.

## OPIS PROGRAMA

### Upute za odabir ciklusa pranja.

#### 1 EKO

Program Eko prikladan je za uobičajeno prljavo posuđe i pri takvoj je upotrebi to najučinkovitiji program po pitanju ukupne potrošnje vode i energije i upotrebljava se za procjenu usklađenosti s propisima EU o ekološkom načinu izrade.

#### 2 INTENZIVNO

Preporučeni program za jako prljavo posuđe, posebno pogodan za tave i tave za umake (ne upotrebljavati za osjetljivo posuđe).

#### 3 MJEŠOVITO

Mješovito zaprljanje. Za uobičajeno prljavo posuđe s ostacima sasušene hrane.

#### 4 BRZO PRANJE

Program za ograničenu količinu normalno zaprljanog pribora za jelo. Jamči optimalnu učinkovitost čišćenja za manje vremena.

#### 5 OSJETLJIVO

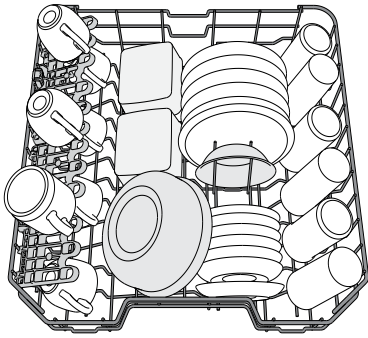
Program za osjetljivo posuđe koje je osjetljivije na visoke temperature, primjerice čaše i šalice.

#### Napomene:

Napominjemo da je ciklus *Brzo pranje* namijenjen isključivo malo zaprljanom posuđu.

# PUNJENJE KOŠARA

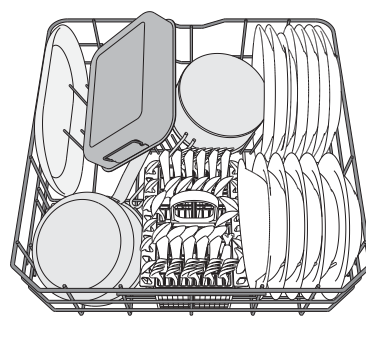
## GORNJA KOŠARA



(primjer punjenja za gornju košaru)

Punite je osjetljivim, laganim suđem: čašama, šalicama, posudama za umake i laganim zdjelama za salatu.

## DONJA KOŠARA



(primjer punjenja za donju košaru)

Za lonce, tave, tanjure, zdjele za salatu, pribor za jelo itd. Velike tanjure i poklopce idealno bi bilo postaviti sa strane kako bi se izbjeglo da ometaju nosače mlaznica.

## PODEŠAVANJE GORNJE KOŠARE PO VISINI

Visina gornje košare može se podesiti: visoki položaj za postavljanje glomaznog suđa u donju košaru i niski položaj za potpuno iskorištavanje potpornja za postavljanje stvaranjem više mjesta u gornjem dijelu i izbjegavanje udaraca s predmetima u donjoj košari.

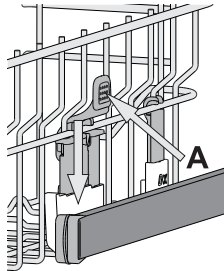
Gornja je košara opremljena

**mehanizmom za podešavanje gornje košare po visini** (pogledajte sliku) i bez pritiska na ručice podignite je tako da smo uhvatite stranice košare čim je košara stabilna u svom gornjem položaju.

Za ponovno postavljanje u donji položaj pritisnite ručice **A** na stranicama košare i pomaknite je prema dolje.

**Preporučujemo da podešavanje po visini ne obavljate s punom košarom.**

**Košaru NIKADA ne podižite ili spuštajte samo na jednoj strani.**

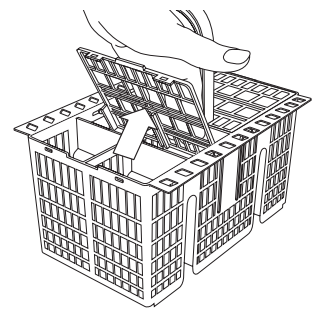


## KOŠARA ZA PRIBOR ZA JELO

Opremljena je gornjom rešetkom za bolje slagane pribora za jelo.

Mora se postaviti isključivo na prednji dio donje košare.

**Noževe i ostali pribor s oštrim vrhom treba postaviti u košaru pribora za jelo s vrhom okrenutim prema dolje ili se moraju staviti vodoravno u spremnike s potpurnjem u gornjoj košari.**



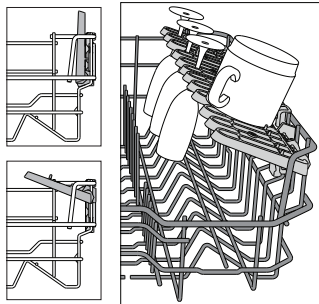
## POMIČNI PREKLOPI S PODESIVIM POLOŽAJEM

Bočni pomični preklopi mogu se sklopiti ili rasklopiti da bi se poboljšalo slaganje posuđa u košaru.

Čaše za vino mogu se sigurno postaviti u pomične preklope tako da se nožica svake čaše umetne u odgovarajući otvor.

Ovisno o modelu:

- preklope sklopite tako da ih skliznete i okrenete ili ih otpustite iz utora i izvučete.
- preklope rasklopite tako da ih okrenete i klizno pomaknete prema dolje ili podignete i preklope pričvrstite na utore.





# SVAKODNEVNA UPORABA

## 1. PROVJERA PRIKLJUČKA ZA VODU

Provjerite je li perilica suđa spojena na dovod vode i je li otvorena slavina.

## 2. UKLJUČIVANJE PERILICE SUĐA

Otvorite vrata i pritisnite gumb **uključivanje/isključivanje**.

## 3. PUNJENJE KOŠARA (pogledajte PUNJENJE KOŠARA)

## 4. PUNJENJE SPREMNIKA ZA DETERDŽENT

## 5. ODABIR PROGRAMA I PRILAGOĐAVANJE CIKLUSA

Odaberite najprikladniji program prema vrsti posuđa i razini zaprljanja (pogledajte *OPIS PROGRAMA*) pritiskom na gumb **P**. Odaberite željene opcije (pogledajte *OPCIJE I FUNKCIJE*).

## 6. POKRETANJE

Ciklus pranja započnite pritiskom na gumb **START/Pauza** (uključeno je led svjetlo) i zatvorite vrata u roku od 4 s. Kada program započne oglašava se jedan zvučni signal bip. Ako se vrata ne zatvore u roku od 4 s., oglasit će se zvučni alarm. U tom slučaju otvorite vrata, pritisnite gumb **START/Pauza** i ponovno zatvorite vrata u roku od 4 s.

## 7. KRAJ CIKLUSA PRANJA

Kraj ciklusa pranja označen je zvučnim signalima bip i treperenjem svjetla indikatora odabranog programa. Otvorite vrata i uređaj isključite tako da pritisnete gumb za **uključivanje/isključivanje**. Pričekajte nekoliko minuta prije vađenja posuđa kako biste izbjegli opekotine. Ispraznite košare, započinjući s donjom košarom.

**Stroj će se automatski isključiti tijekom produženog razdoblja neaktivnosti kako bi se smanjila potrošnja struje.**

**Ako je posuđe samo malo prljavo ili ako ga ispirate prije stavljanja u perilicu posuđa, u skladu s tim smanjite količinu deterdženta.**

## IZMJENA PROGRAMA U RADU

Ako odaberete pogrešan program, možete ga promijeniti pod uvjetom da je tek započeo: otvorite vrata, pritisnite i držite gumb za **uključivanje/isključivanje**, stroj će se isključiti.

Ponovno uključite stroj pomoću gumba za uključivanje/isključivanje i odaberite novi ciklus pranja i sve željene opcije; ciklus pokrenite pritiskom na gumb **START/Pauza** i zatvaranjem vrata u roku od 4 s.

## DODAVANJE DODATNOG POSUĐA

Ne isključujući uređaj otvorite vrata (led svjetlo **START/Pauza** počinja treperiti) (**pazite na VRUĆU paru!**) i posuđe stavite u perilicu.

Pritisnite gumb **START/Pauza** i zatvorite vrata u roku od 4 s, ciklus će se nastaviti od mjesta na kojem je prekinut.

## NEHOTIČNI PREKIDI

Ako se tijekom ciklusa pranja vrata otvore ili ako je došlo do nestanka struje, ciklus se zaustavlja. Pritisnite gumb **START/Pauza** i zatvorite vrata u roku od 4 s, ciklus će se nastaviti od mjesta na kojem je prekinut.

# SAVJETI

## SAVJETI

Prije punjenja košara uklonite sve ostatke hrane s posuđa i ispraznite čaše. **Ne morate ih ispirati tekućom vodom.**

Posuđe složite tako da čvrsto stoji i ne prevrće se; spremnike složite tako da su otvori okrenuti prema dolje, a konkavni/konveksni dijelovi ukošeni kako bi se omogućilo da voda dođe do svih površina i slobodno protiče.

**Upozorenje:** poklopci, ručke, pladnjevi i tave ne sprječavaju okretanje nosača mlaznica.

Sitne predmete stavite u košare za pribor za jelo.

Vrlo prljavo suđe i tave treba staviti u donju košaru jer je u tom dijelu jači mlaz vode i omogućuje se bolja učinkovitost pranja.

Nakon punjenja uređaja provjerite mogu li se nosači mlaznica slobodno okretati.

## NEPRIKLADNO SUĐE

- Drveno suđe i pribor za jelo.
- Osjetljive ukrašene čaše, umjetnički predmeti i antičko suđe. Njihovi ukrasi nisu otporni.
- Dijelovi od sintetičkog materija koji ne podnose visoke temperature.
- Suđe od bakra i lima.
- Suđe zaprljano pepelom, voskom, mazivima ili tintom.

Boje ukrasa na čašama i aluminijski/srebrni dijelovi mogu se promijeniti i izbljediti tijekom postupka pranja. Neke vrste čaša (npr. kristali predmeti) mogu se postati neprozirni nakon određenog broja ciklusa pranja.

## OŠTEĆENJE ČAŠA I SUĐA

- Upotrebljavajte samo čaše i porculansko suđe za koje proizvođač jamči da se može prati u perilici suđa.
- Upotrebljavajte deterdžent za osjetljivo posuđe prikladan za posuđe
- Čaše i pribor za jelo izvadite iz perilice suđa čim ciklus pranja završi.

## SAVJETI ZA UŠTEDU ENERGIJE

- Kada se perilica posuđa u domaćinstvu upotrebljava u skladu s uputama proizvođača **pranjem posuđa u perilici posuđa obično se troši MANJE ENERGIJE i vode nego prilikom ručnog pranja.**
- Preporučujemo da povećate učinkovitost perilice posuđa tako da **ciklus pranja pokrećete tek kada je perilica posuđa do kraja napunjena.** Kada perilicu posuđa puniti do kapaciteta koji je naveo proizvođač, pridonosite uštedi energije i vode. Podatke o pravilnom punjenju posuđa možete pronaći u poglavlju PUNJENJE KOŠARA. U slučaju da je perilica djelimično napunjena, preporučuje se da upotrebljavate posebne opcije pranja, ako su dostupne (Half load/ Zone Wash/ Multizone) i puniti samo odabrane košare. Nepravilno punjenje ili pretjerano punjenje može povećati upotrebu resursa (kao što su voda, energija i vrijeme te povećati razinu buke) i smanjiti učinkovitost pranja i sušenja.
- Ručno ispiranje posuđa dovodi do veće potrošnje vode i energije te se ne preporučuje.

## HIGIJENSKI PROGRAM

Kako bi se izbjegla pojava neugodnih mirisa i taloga koji se može nakupiti u perilici suđa, **program s visokom temperaturom pokrećite najmanje jednom mjesečno.** Upotrijebite čajnu žlicu deterdženta i pokrenite perilicu bez punjenja kako biste očistili uređaj.

# ČIŠĆENJE I ODRŽAVANJE

## ČIŠĆENJE SKLOPA FILTRA

Redovito čistite sklop filtra tako da se filtri ne začepi i da otpadna voda ispravno istječe.

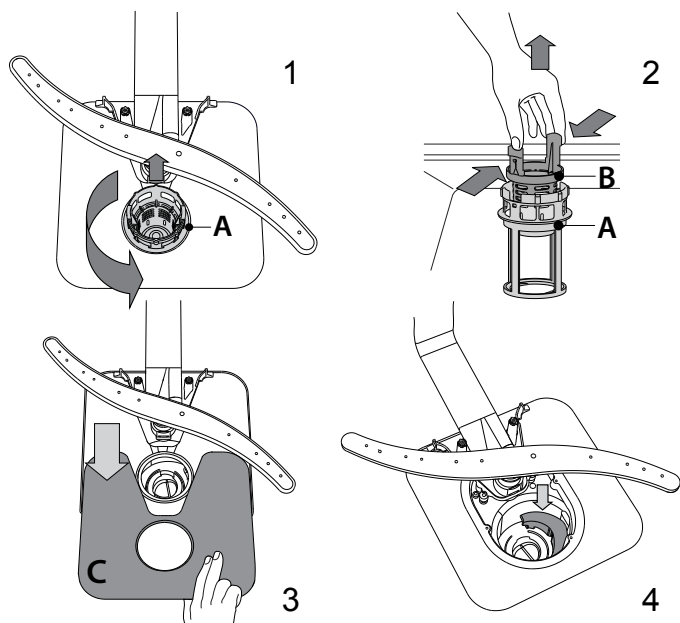
Upotreba perilice posuđe sa začepljenim filtrima ili stranim predmetima u sustavu filtriranja ili prskalicama može prouzročiti neispravnosti koje dovode do gubitka učinkovitosti, veće buke u radu ili veće potrošnje energenata.

Sklop filtra sastoji se od tri filtra koji uklanjaju ostatke hrane iz vode za pranje i zatim ponovno pokreću kruženje vode: za najbolje rezultate pranja održavajte ih čistim.

**Perilica suđa ne smije se upotrebljavati bez filtera ili s otpuštenim filtrom.**

Najmanje jednom mjesečno ili nakon svakih 30 ciklusa pranja provjerite sklop filtra i po potrebi ga temeljito očistite tekućom vodom upotrebljavajući četku koja nije od metala i prema uputama u nastavku:

1. Cilindrični filter **A** okrenite u smjeru suprotnom od smjera kazaljke na satu i izvucite ga (sl. 1).
2. Skinite filter šalicu **B** tako da lagano pritisnete bočna krilca (sl. 2).
3. Klizno izvadite pločasti filter od nehrđajućeg čelika **C** (sl. 3).
4. Ako pronađete strane predmete (npr. razbijeno staklo, porculan, kosti, sjemenke voća itd.), **pažljivo ih uklonite**.
5. Pregledajte otvor i uklonite sve ostatke hrane. **NIKADA NE SKIDAJTE** štitnik pumpe ciklusa pranja (crni detalj) (sl. 4).



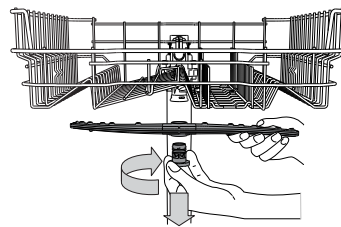
Nakon čišćenja filtera vratite sklop filtra i pravilno ga učvrstite na mjesto; to je važno za održavanje učinkovitog rada perilice suđa.

## ČIŠĆENJE ULAZNOG CRIJEVA ZA VODU

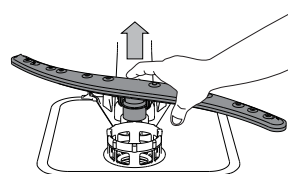
Ako su crijeva za vodu nova ili se dulje vrijeme nisu upotrebljavala pustite da kroz njih prođe voda kako biste bili sigurni da nema nečistoća prije obavljanja potrebnih priključivanja. Ako se ne pridržavate te mjera opreza, može se dogoditi da je blokiran ulaz vode u da se perilica suđa ošteti.

## ČIŠĆENJE NOSAČA MLAZNICA

Povremeno, ostaci hrane mogu se skoriti na nosačima mlaznica i blokirati otvore za raspršivanje vode. Zbog toga se preporučuje da povremeno provjerite nosače i očistite ih malom četkicom koja nije metalna.



Gornji krak mlaznice skinite tako da okrenete plastični prsten za završavanje u smjeru kazaljke na satu. Gornji nosač mlaznice treba se zamijeniti tako da je strana s većim brojem otvora okrenuta prema gore.



Donji krak mlaznice može se skinuti tako da se povuče prema gore.

## SUSTAV OMEKŠAVANJA VODE

Omekšivač vode automatski smanjuje tvrdoću vode čime se posljedično smanjuje nakupljanje kamenca na grijaču i pridonosi većoj učinkovitosti pranja.

**Ovaj se sustav sam obnavlja pomoću soli pa zato spremnik soli treba napuniti kada je prazan.**



Učestalost obnavljanja ovisi o postavci razine tvrdoće vode – obnavljanje se odvija jednom na svakih 5 Eko ciklusa s razinom tvrdoće vode postavljenom na 3.

Postupak obnavljanja započinje u fazi završnog ispiranja i završava u fazi sušenja, prije završetka ciklusa.

- Potrošnja jednog ciklusa obnavljanja: ~3,5 l vode;
- Ciklus traje 5 minuta dulje;
- Troši manje od 0,005 kWh struje.

# RJEŠAVANJE PROBLEMA

Ako vaša perilica posuđa ne radi ispravno, provjerite može li se problem riješiti prateći popis u nastavku. U slučaju pojave drugih grešaka ili problema obratite se ovlaštenom postprodajnom servisu čije podatke za kontakt možete pronaći u knjižici jamstva. Rezervni dijelovi bit će dostupni u razdoblju narednih 7 ili 10 godina, ovisno o posebnim zakonskim propisima.

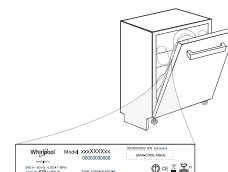
PROBLEMI	MOGUĆI UZROCI	RJEŠENJA
 Indikator soli je uključen	Spremnik soli je prazan. (Indikator soli može nakon punjenja ostati uključen kroz nekoliko ciklusa pranja).	Napunite spremnik za sol solju (za više informacija pogledajte stranicu 2). Podesite tvrdoću vode - pogledajte tablicu na stranici 2.
 Indikator sredstva za ispiranje je uključen	Spremnik sredstva za ispiranje je prazan. (Indikator sredstva za ispiranje može nakon punjenja ostati uključen kroz nekoliko ciklusa pranja).	Napunite spremnik sredstvom za ispiranje (za više informacija pogledajte stranicu 2).
Perilica suđa se ne pokreće ili ne odgovara na komande.	Uređaj nije ispravno priključen.	Uključite utikač u električnu utičnicu.
	Nestanak struje.	Perilica posuđa se iz sigurnosnih razloga neće automatski pokrenuti nakon povratka struje. Otvorite vrata perilice posuđa, pritisnite gumb START/Pauza i u roku od 4 sekunde zatvorite vrata.
	Vrata perilice suša nisu zatvorena.	Vrata čvrsto zatvorite tako da začujete "klik".
	Ciklus se prekida ako su vrata otvorena > 4 sek.	Pritisnite START/Pauza i zatvorite vrata uređaja u roku od 4 sekunde.
	Ne odgovara na komande.	Uređaj isključite pritiskom na gumb UKLJUČIVANJE/ISKLJUČIVANJE pa ga nakon otprilike jedne minute ponovno uključite i ponovno pokrenite program. Ako se problem i dalje javlja, uređaj isključite na 1 minutu, zatim ga ponovno uključite
Perilica suđa ne ispušta vodu.	Ciklus pranja još nije završio.	Pričekajte da ciklus pranja završi.
	Ovodno crijevo je savijeno.	Provjerite da crijevo za pražnjenje nije savijeno ( <i>pogledajte UPUTE ZA POSTAVLJANJE</i> ).
	Crijevo za pražnjenje izljeva je blokirano.	Očistite crijevo za pražnjenje izljeva.
	Filtar je začepljen ostacima hrane	Čišćenje filtra ( <i>pogledajte ČIŠĆENJE SKLOPA FILTRA</i> ).
Perilica suđa stvara preveliku buku.	Suđe se međusobno udara.	Pravilno složite suđe ( <i>pogledajte PUNJENJE KOŠARA</i> ).
	Došlo je do stvaranja prevelike količine pjene.	Deterdžent nije pravilno izmjeren ili nije prikladan za upotrebu u perilici suđa ( <i>pogledajte PUNJENJE DOZATORA ZA DETERDŽENT</i> ). Ponovno pokrenite trenutni ciklus isključivanjem perilice posuđa i zatim njenim ponovnim uključivanjem, odaberite novi program, pritisnite START/Pauza i zatvorite vrata u roku 4 sekunde. Nemojte dodavati deterdžent.
Suđe nije čisto.	Suđe nije ispravno složeno.	Pravilno složite suđe ( <i>pogledajte PUNJENJE KOŠARA</i> ).
	Nosači mlaznica ne mogu se slobodno okretati jer ih ometa suđe.	Pravilno složite suđe ( <i>pogledajte PUNJENJE KOŠARA</i> ).
	Ciklus pranja je prenježan.	Odaberite odgovarajući ciklus pranja ( <i>pogledajte TABLICU PROGRAMA</i> ).
	Došlo je do stvaranja prevelike količine pjene.	Deterdžent nije pravilno izmjeren ili nije prikladan za upotrebu u perilici suđa ( <i>pogledajte PUNJENJE DOZATORA ZA DETERDŽENT</i> ).
	Čep na spremniku sredstva za ispiranje nije pravilno zatvoren.	Provjerite je li čep spremnika za ispiranje zatvoren.
	Filtar je prljav ili začepljen.	Očistite sklop filtra ( <i>pogledajte ČIŠĆENJE I ODRŽAVANJE</i> ).
	Nema soli.	Napunite spremnik soli ( <i>pogledajte PUNJENJE I SPREMNİK SOLI</i> ).
Perilica posuđa ne puni se vodom. Svi LED-i brzo trepere	Nema vode u dovodu vode ili je slavina zatvorena.	Provjerite ima li vode u dovodu vode ili radi li slavina.
	Dovodno crijevo je savijeno.	Provjerite da dovodno crijevo nije savijeno ( <i>pogledajte INSTALACIJA</i> ), ponovno programirajte perilicu posuđa i ponovno pokrenite.
	Sito na dovodnom crijevu vode je začepljeno; treba ga očistiti.	Nakon provjere i čišćenja isključite i uključite perilicu posuđa i pokrenite novi program.
Perilica posuđa prerano završava ciklus.	Ovodno je crijevo prenisko postavljeno ili se izljeva u kanalizaciju.	Provjerite je li kraj odvodnog crijeva na ispravnoj visini ( <i>pogledajte INSTALACIJA</i> ). Provjerite izljev u kanalizaciju, ugradite, prema potrebi, ventil za ulaz zraka.
	Zrak u dovodu vode.	Provjerite da na dovodu vode nema propuštanja ili drugih problema koji omogućuju ulaz zraka.



**Pravila, standardne dokumente, naručivanje rezervnih dijelova i dodatne informacije o proizvodu možete pronaći tako:**

- Posjetite naše web-mjesto **docs.hotpoint.eu** i **parts-selfservice.whirlpool.com**
- Upotrebom QR koda
- Možete i **kontaktirati naš postprodajni servis** (broj telefona potražite u knjižici jamstva).  
Kada se obraćate našem postprodajnom servisu navedite kodove navedene na identifikacijskoj pločici proizvoda.

Informacije o modelu mogu se dobiti pomoću QR koda koji se nalazi na oznaci energetske učinkovitosti. Na oznaci se nalazi i identifikacijska oznaka modela koji se može upotrijebiti za pregledavanje portala registra na <https://eprel.ec.europa.eu>.



---

**400011645847B**

07/2023 dk - Xerox Fabriano



# GUIDA RAPIDA GUASTI



**GRAZIE PER AVER ACQUISTATO UN PRODOTTO  
HOTPOINT ARISTON.** Per ricevere assistenza in modo più  
completo, registrare il proprio apparecchio sul sito:  
[www.hotpoint.eu/register](http://www.hotpoint.eu/register)

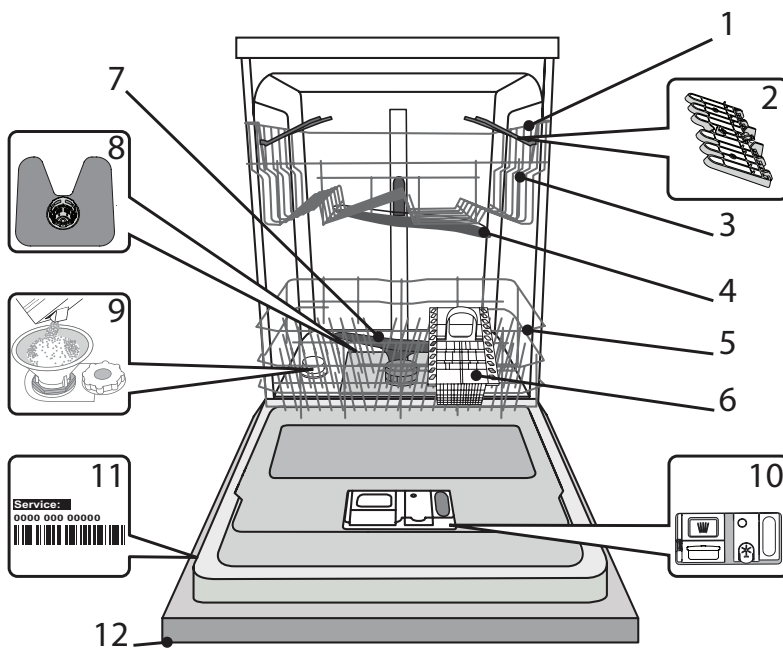


È possibile scaricare le Istruzioni per la sicurezza e le  
Istruzioni per l'uso dal sito [docs.hotpoint.eu](http://docs.hotpoint.eu) ;  
seguire quindi le istruzioni riportate sul retro del  
presente libretto.

**Prima di utilizzare l'apparecchio, leggere attentamente le Istruzioni per la sicurezza.**

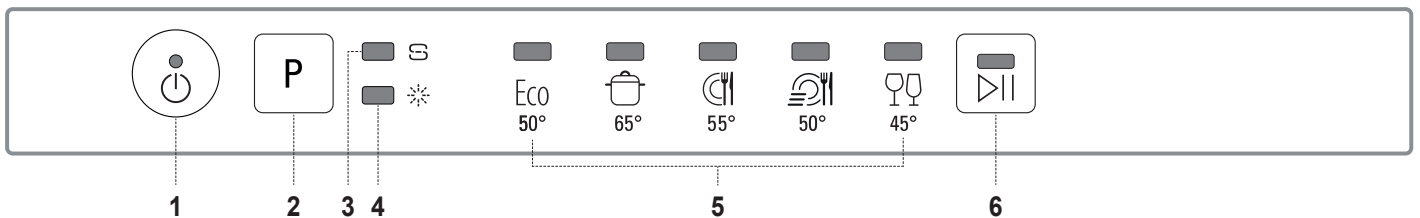
## DESCRIZIONE PRODOTTO

### APPARECCHIO



1. Cestello superiore
2. Sponde ribaltabili
3. Regolatore altezza cestello superiore
4. Braccio aspersore superiore
5. Cestello inferiore
6. Cestello portaposate
7. Braccio aspersore inferiore
8. Gruppo filtro
9. Distributore del sale
10. Distributori per detersivo e brillantante
11. Targhetta matricola
12. Pannello comandi

### PANNELLO COMANDI



1. Tasto Accensione-Spegnimento/Ripristino e relativa spia
2. Tasto di selezione programmi
3. Indicatore di riempimento del sale
4. Indicatore di riempimento del brillantante
5. Spie indicatore di programma
6. Tasto Avvio/Pausa e relativa spia



# PRIMO UTILIZZO

## SALE, BRILLANTANTE E DETERSIVO


### SUGGERIMENTO PER IL PRIMO UTILIZZO

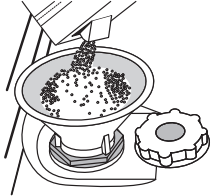
Dopo aver completato l'installazione, togliere i fermi dai cestelli e gli elementi elastici di ritegno dal cestello superiore.

### RIFORMIMENTO DEL SERBATOIO DEL SALE

L'uso di sale previene la formazione di CALCARE sulla superficie dei piatti e sui componenti della macchina.

- È indispensabile che **IL SERBATOIO DEL SALE SIA SEMPRE RIFORMITO**.
- È essenziale quindi che il livello di durezza dell'acqua sia stato impostato.

Il serbatoio del sale è situato nella parte inferiore della lavastoviglie (vedere DESCRIZIONE PRODOTTO) e deve obbligatoriamente essere rifornito ogni volta che la spia dell'indicatore di RIEMPIMENTO SALE  posta sul pannello comandi è illuminata.



1. Togliere il cestello inferiore e svitare il tappo del serbatoio (ruotare in senso antiorario).
2. **Solo la prima volta: riempire d'acqua il serbatoio del sale.**
3. Sistemare opportunamente l'imbuto (vedere figura) e rifornire il serbatoio del sale fino all'orlo (circa 1 kg); Non è inconsueto che l'acqua trabocchi leggermente.
4. Togliere l'imbuto ed eliminare qualsiasi residuo di sale dall'areacircostante l'apertura.

Accertarsi che il tappo sia adeguatamente serrato per evitare l'ingresso di detersivo all'interno della vaschetta durante il programma di lavaggio (ciò potrebbe causare il danneggiamento del dispositivo addolcente senza possibilità di riparazione).

**Ogni volta che è necessario aggiungere sale, è obbligatorio eseguire la procedura prima dell'inizio del ciclo di lavaggio per evitare rischi di corrosione.**

### IMPOSTAZIONE DELLA DUREZZA DELL'ACQUA

Per consentire che il dispositivo addolcente dell'acqua agisca al meglio, è essenziale che l'impostazione del livello di durezza dell'acqua tenga conto della sua durezza effettiva nell'utenza domestica. È possibile ottenere il valore di durezza dell'acqua nell'utenza domestica rivolgendosi al proprio fornitore. L'impostazione in fabbrica considera la durezza solitamente consueta. Il valore predefinito per la durezza dell'acqua viene impostato in fabbrica.

- Azionare l'apparecchio agendo sul tasto **ACCENSIONE/SPEGNIMENTO**.
- Disattivare l'apparecchio agendo sullo stesso tasto **ACCENSIONE/SPEGNIMENTO**.
- Tenere premuto il tasto **P** per 5 secondi, fino a udire il segnale corrispondente.
- Azionare l'apparecchio agendo sul tasto **ACCENSIONE/SPEGNIMENTO**.
- La spia che indica il programma correntemente impostato lampeggia.
- Premere il tasto **P** per selezionare il livello di durezza dell'acqua richiesto (vedere TABELLA DEI LIVELLI DI DUREZZA DELL'ACQUA).

Tabella di durezza dell'acqua				
Livello		°dH	°fH	°Clark
		Gradi tedeschi	Gradi francesi	Gradi inglesi
1	Dolce	0 - 6	0 - 10	0 - 7
2	Moderatamente dolce	7 - 11	11 - 20	8 - 14
3	Medio	12 - 16	21 - 29	15 - 20
4	Dura	17 - 34	30 - 60	21 - 42
5	Molto dura	35 - 50	61 - 90	43 - 62

- Disattivare l'apparecchio agendo sullo stesso tasto **ACCENSIONE/SPEGNIMENTO**.

La procedura di impostazione è stata completata!

Non appena completata tale procedura, avviare uno dei programmi senza carico.


**Utilizzare soltanto sale di tipo specifico per lavastoviglie.**

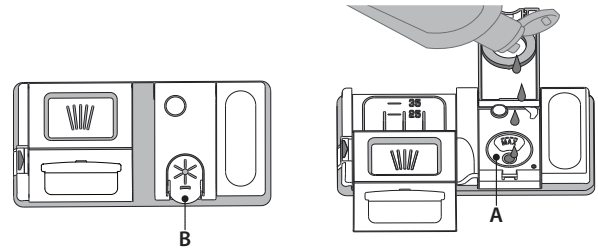
Dopo aver versato il sale all'interno della macchina, la spia riempimento SALE si spegne.

**La mancanza di sale nel serbatoio potrebbe danneggiare l'addolcitore d'acqua e la resistenza per effetto dell'accumulo di calcare.**

**L'uso del sale è consigliato con qualsiasi tipo di detersivo per lavastoviglie.**

### RIEMPIMENTO DEL DISTRIBUTORE BRILLANTANTE

L'utilizzo di brillantante facilita il processo di ASCIUGATURA delle stoviglie. Il distributore di brillantante **A** deve essere riempito ogni volta che a spia dell'indicatore di RIEMPIMENTO BRILLANTANTE  sul pannello comandi è illuminata.



1. Aprire il distributore B esercitando opportuna pressione e quindi sollevando la linguetta posta sul coperchio.
2. Versare delicatamente il brillantante fino al segno che indica il livello di riferimento massimo (110 ml), ma evitandone la fuoriuscita. Nel caso in cui ciò si verifici, asciugare immediatamente il liquido fuoriuscito mediante un panno asciutto.
3. Abbassare il coperchio fino ad avvertire lo scatto che ne segnala la chiusura. **Non versare MAI il brillantante direttamente all'interno della vaschetta.**

### REGOLAZIONE DEL DOSAGGIO DI BRILLANTANTE

Se non si è completamente soddisfatti del processo di asciugatura, è possibile regolare la quantità di brillantante da utilizzare.

- Azionare la lavastoviglie agendo sul tasto **ACCENSIONE/SPEGNIMENTO**.
- Disattivare la lavastoviglie utilizzando lo stesso tasto **ACCENSIONE/SPEGNIMENTO**.
- Premere tre volte il tasto **P**: si avverte il segnale corrispondente.
- Azionare la lavastoviglie mediante il tasto **ACCENSIONE/SPEGNIMENTO**.
- La spia che indica il programma correntemente impostato lampeggia.
- Premere sul tasto **P** per impostare il livello di brillantante corrispondente alla quantità richiesta.
- Disattivare utilizzando il tasto **ACCENSIONE/SPEGNIMENTO**. La procedura di impostazione è stata completata!

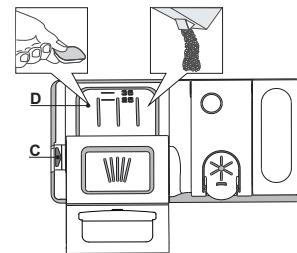
Nel caso in cui il livello di brillantante sia impostato su 1 (ECO), il brillantante non viene erogato.

A seconda del modello di lavastoviglie è possibile impostare al massimo 5 livelli di dosaggio. Le impostazioni di fabbrica dipendono dal modello; seguire le istruzioni precedenti in base alle caratteristiche del proprio apparecchio.

- In presenza di strisce con sfumature blu sulla superficie dei piatti, impostare un livello di dosaggio basso (2-3).
- In presenza di gocce d'acqua o di calcare sulla superficie dei piatti impostare invece dosaggi alti (4-5).

### RIEMPIMENTO DEL DISTRIBUTORE DETERSIVO

**Per aprire il distributore detersivo utilizzare il dispositivo di apertura C. Versare il detersivo esclusivamente nel distributore D asciutto. Mettere la dose di detersivo per il prelavaggio direttamente all'interno del distributore.**








1. Per il dosaggio corretto del detersivo fare riferimento ai dati sopra riportati. La vaschetta **D** contiene indicatori di livello per facilitare il dosaggio del detersivo.
2. Eliminare eventuali residui di detersivo dai bordi del distributore e chiudere il coperchio fino ad avvertire lo scatto caratteristico.
3. Chiudere il coperchio del distributore sollevandolo fino a portare il dispositivo di chiusura in sede.

Il distributore del detersivo si apre automaticamente quando previsto dal programma in uso.

**L'uso di un detersivo non specifico per lavastoviglie potrebbe causare malfunzionamenti o danni all'apparecchio.**

# TABELLA DEI PROGRAMMI

Programma	Fase di asciugatura	Durata programma di lavaggio (h:min) <sup>*)</sup>	Consumo d'acqua (litri/ciclo)	Consumo energetico (kWh/ciclo)
1. Eco  50°	✓	3:20	12,0	1,04
2. Intensivo  65°	✓	2:30	16,0	1,50
3. Misti  55°	✓	2:25	16,0	1,35
4. Lavaggio rapido  50°	-	1:00	11,5	1,10
5. Delicati  45°	✓	1:30	11,5	1,10

La misurazione dei dati per la creazione del programma ECO avviene in condizioni di laboratorio secondo quanto prescritto dalle norme europee EN 60436:2020.

Nota per i laboratori di Prove: per informazioni sulle condizioni della prova comparativa EN, farne richiesta all'indirizzo: [dw\\_test\\_support@whirlpool.com](mailto:dw_test_support@whirlpool.com).

Questi programmi non richiedono un pre-trattamento delle stoviglie.

\*) Ad eccezione del programma Eco, i valori riportati per gli altri programmi sono puramente indicativi. La durata effettiva può dipendere da molti fattori, quali la temperatura e la pressione dell'acqua di alimentazione, la temperatura ambiente, la dose di detersivo utilizzata, la quantità e il tipo di carico e il suo bilanciamento, la selezione di determinate opzioni e la taratura dei sensori. La taratura dei sensori può prolungare la durata dei programmi anche di 20 minuti.

## DESCRIZIONE DEI PROGRAMMI

### Istruzioni per selezionare il ciclo di lavaggio.

#### 1 ECO

Il programma Eco è indicato per le stoviglie mediamente sporche; è il programma più efficiente in termini di consumo combinato di acqua ed energia per questo tipo di stoviglie e viene usato per valutare la conformità dell'apparecchio alla legislazione UE in materia di progettazione ecocompatibile.

#### 2 INTENSIVO

Stoviglie e pentole molto sporche (non usare per pezzi delicati).

#### 3 MISTI

Carichi misti. Per piatti con sporco normale e residui secchi di cibo

#### 4 LAVAGGIO RAPIDO

Programma indicato per un carico ridotto di stoviglie normalmente sporche. Permette di ottenere un risultato di lavaggio ottimale in un tempo più breve.

#### 5 DELICATI

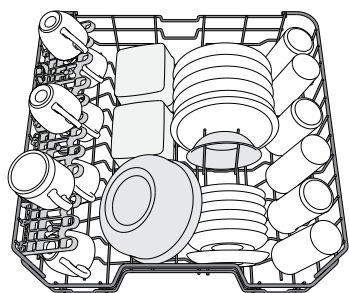
Programma adatto a oggetti delicati, più sensibili alle temperature elevate, ad esempio bicchieri e tazze.

#### Note:

Il ciclo *Lavaggio rapido* è indicato per stoviglie poco sporche.

# CARICAMENTO DEI CESTELLI

## CESTELLO SUPERIORE



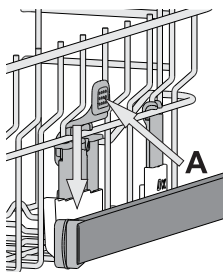
Riporvi i piatti poco resistenti e le stoviglie delicate: vetri, tazze, piattini, insalatiere dai bordi bassi.

(esempio di carico del cestello superiore)

## REGOLAZIONE IN ALTEZZA DEL CESTELLO SUPERIORE

È possibile regolare del cestello superiore nel senso dell'altezza: la posizione rialzata consente di sfruttare al massimo il cestello inferiore per riporvi le stoviglie di dimensioni ingombranti, mentre la posizione ribassata consente di utilizzare le sponde ribaltabili creando lo spazio che esse richiedono e di evitare urti con gli oggetti caricati nel cestello inferiore.

Il cestello superiore è munito di **regolatore in altezza** (vedere figura) che non richiede pressione sulle leve; sollevarlo tenendolo per i lati, non appena si trovi in posizione rialzata. Per ripristinare la posizione ribassata, agire sulle leve **A** poste ai lati del cestello e abbassare il cestello.



**Si raccomanda vivamente di non procedere alla regolazione in altezza di cestelli già caricati.**

**Non rialzare o ribassare MAI il cestello agendo su un lato soltanto.**

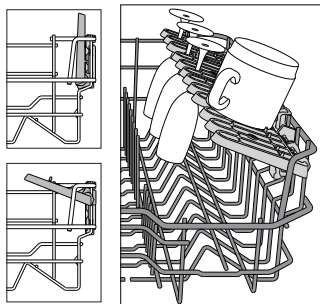
## SPONDE RIBALTABILI CON POSIZIONE REGOLABILE

Le sponde ribaltabili laterali possono essere estese o ripiegate per ottimizzare la disposizione delle stoviglie nel cestello.

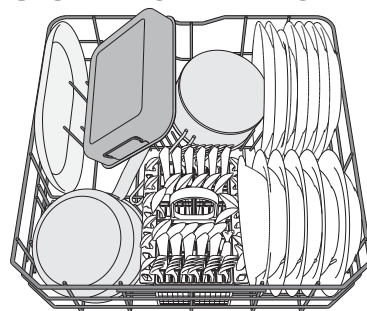
Si possono disporre i bicchieri da vino nelle sponde ribaltabili in modo assolutamente sicuro, inserendone lo stelo negli appositi spazi.

In base al modello:

- per estendere le sponde occorre farle scorrere verso l'alto e ruotarle oppure sganciarle dai fermi e abbassarle.
- per ripiegare le sponde occorre ruotarle e farle scorrere verso il basso oppure sollevarle e agganciarle ai fermi.



## CESTELLO INFERIORE



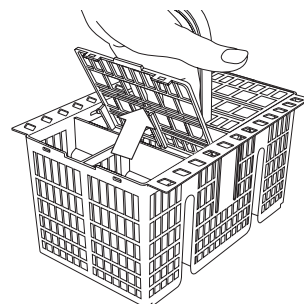
Per pentole, coperchi, piatti, insalatiere, stoviglie, ecc. In teoria conviene disporre piatti e coperchi di grandi dimensioni ai lati, per evitare interferenze con l'elemento aspersione.

(esempio di carico nel cestello inferiore)

## CESTELLO PORTAPOSATE

Le griglie tuttavia consentono anche di ottimizzare la disposizione delle posate al suo interno. Il cestello portaposate deve essere sistemato soltanto nella parte anteriore del cestello inferiore.

**I coltelli e le altre posate con bordi taglienti devono essere riposte nel cestello portaposate con le punte rivolte verso il basso e orizzontalmente nelle sponde ribaltabili del cestello superiore.**



# USO QUOTIDIANO

## 1. VERIFICA DEL COLLEGAMENTO ALLA RETE IDRICA

Verificare che la lavastoviglie sia collegata alla rete idrica e che il rubinetto dell'acqua sia aperto.

## 2. AZIONAMENTO DELLA LAVASTOVIGLIE

Aprire la porta e premere il tasto **ACCENSIONE/SPEGNIMENTO**.

## 3. CARICAMENTO DEI CESTELLI

(vedere **CARICAMENTO DEI CESTELLI**).

## 4. RIEMPIMENTO DEL DISTRIBUTORE DETERATIVO

## 5. SELEZIONARE IL PROGRAMMA E ADATTARE IL CICLO SECONDO NECESSITÀ

Selezionare il programma più adatto in base al tipo di stoviglie e alla quantità di sporco in essi presente (vedere la **DESCRIZIONE DEI PROGRAMMI**) premendo sul tasto **P**.

Selezionare le opzioni richieste (vedere **OPZIONI E FUNZIONI**).

## 6. AVVIO

Avviare il ciclo di lavaggio premendo il tasto **AVVIO/Pausa** (il LED si accenderà) e chiudere la porta entro 4 secondi. All'avvio del programma viene emesso un segnale acustico. Se la porta non viene chiusa entro 4 sec. viene emesso il suono di allarme. In questo caso, aprire la porta, premere il tasto **AVVIO/Pausa** e richiudere la porta entro 4 sec.

## 7. FINE DEL CICLO DI LAVAGGIO

La conclusione del ciclo di lavaggio è indicata dalla relativa segnalazione acustica, mentre mediante il lampeggio dell'indicatore corrispondente al programma selezionato. Aprire la porta e spegnere l'apparecchio premendo il tasto **ACCENSIONE/SPEGNIMENTO**.

Per evitare bruciature, prima di togliere le stoviglie attendere pochi minuti. Scaricare i cestelli, iniziando da quello inferiore.

La macchina si disattiva automaticamente nel corso di determinati periodi di inattività prolungata, al fine di ridurre al minimo il consumo di elettricità. Se le stoviglie sono soltanto leggermente sporche oppure sono state risciacquate prima di essere poste nella lavastoviglie, ridurre in proporzione la dose di detersivo da utilizzare.

## MODIFICA DI UN PROGRAMMA IN CORSO

Nel caso in cui sia stato selezionato il programma sbagliato, è possibile cambiarlo a condizione che sia appena iniziato: aprire lo sportello e premere a lungo il tasto **ACCENSIONE/SPEGNIMENTO**; l'apparecchio si spegnerà.

Azionare nuovamente la macchina agendo sul tasto **ACCENSIONE/SPEGNIMENTO** e selezionare il nuovo ciclo di lavaggio con qualsiasi opzione richiesta; Avviare il ciclo di lavaggio premendo il tasto **AVVIO/Pausa** (il LED si accende) e chiudere la porta entro 4 secondi.

## AGGIUNTA DI ALTRE STOVIGLIE

Senza spegnere l'apparecchio, aprire la porta (il LED **AVVIO/Pausa** inizia a lampeggiare) (**fare attenzione al vapore MOLTO CALDO!**) e introdurre le stoviglie. Premere il tasto **AVVIO/Pausa** e chiudere lo sportello entro 4 secondi; il ciclo riprenderà dal punto in cui era stato interrotto.

## INTERRUZIONI ACCIDENTALI

In caso di apertura della porta o di interruzione dell'alimentazione elettrica durante un ciclo di lavaggio, il ciclo si interrompe. Premere il tasto **AVVIO/Pausa** e chiudere lo sportello entro 4 secondi; il ciclo riprenderà dal punto in cui era stato interrotto.

# AVVISI E CONSIGLI

## CONSIGLI

Prima di caricare i cestelli, eliminare tutti i residui di cibo dalle stoviglie e vuotare i bicchieri. **Non occorre il risciacquo sotto acqua corrente prima del caricamento.**

Sistemare le stoviglie in modo che rimangano in sede e non si possano ribaltare; e sistemare le vaschette con le aperture rivolte verso il basso e le parti concave/complesse disposte obliquamente, per consentire all'acqua di lavaggio di raggiungere ogni superficie e scorrervi liberamente.

**Avvertenza:** coperchi, maniglie, vassoi e padelle non devono ostacolare la rotazione degli aspersori.

Riporre tutti gli oggetti di piccole dimensioni nel cestello portaposate.

Quando molto sporche, riporre piatti e pentole nel cestello inferiore poiché nel relativo settore gli aspersori svolgono un'azione più intensa e consentono migliori prestazioni nel lavaggio.

Una volta completata la procedura di carico, accertarsi che gli aspersori possano ruotare liberamente.

## STOVIGLIE DI TIPO NON ADATTO

- Stoviglie e posate in legno.
- Bicchieri decorati, pezzi di artigianato e piatti antichi. Le decorazioni non sono sufficientemente resistenti.
- Componenti in materiali sintetici che non resistono alle temperature elevate.
- Stoviglie in rame e stagno.
- Stoviglie sporche di cenere, cera, grasso lubrificante o inchiostro.

Durante la fase di lavaggio i colori delle decorazioni di bicchieri e pezzi in alluminio/argento possono sbiadire. Alcuni tipi di bicchieri (es. i bicchieri in cristallo) possono divenire opachi anche soltanto dopo un certo numero di lavaggi.

## CONSIGLI PER IL RISPARMIO ENERGETICO

- Se la lavastoviglie viene usata secondo le istruzioni del produttore, **il lavaggio delle stoviglie a macchina comporta normalmente un MINORE CONSUMO DI ENERGIA e acqua rispetto al lavaggio a mano.**
- Per ottimizzare l'efficienza della lavastoviglie si raccomanda di **avviare il ciclo di lavaggio con l'apparecchio a pieno carico.** Caricando la lavastoviglie fino alla capacità indicata dal produttore si contribuirà a ridurre i consumi d'acqua e di energia. Per informazioni sul caricamento corretto delle stoviglie, leggere la sezione **CARICAMENTO DEI CESTELLI**. In caso di carico parziale, si raccomanda di usare le apposite opzioni di lavaggio, se disponibili (Mezzo carico/ Zone Wash/ Multizona), caricando solo i cestelli selezionati. Un caricamento non corretto o eccessivo della lavastoviglie può aumentare il consumo di risorse (acqua, energia e tempo, oltre a una maggiore rumorosità) e ridurre le prestazioni di lavaggio e asciugatura.
- Il pre-risciacquo delle stoviglie comporta un maggiore consumo di acqua ed energia e non è consigliato.

## DANNEGGIAMENTO DI BICCHIERI E STOVIGLIE

- Utilizzare soltanto bicchieri e porcellane garantite dal produttore per il lavaggio in lavastoviglie.
- Utilizzare un detersivo delicato e adatto al tipo di stoviglie in questione
- Togliere i bicchieri e gli altri elementi dalla lavastoviglie non appena sia terminato il ciclo di lavaggio.

## IGIENIZZANTE

Per evitare la formazione di cattivi odori e sedimenti vari all'interno della lavastoviglie avviare un programma che preveda temperature elevate almeno una volta al mese. Per eseguire la pulizia dell'apparecchio utilizzare un cucchiaino di detersivo e avviare il ciclo in assenza di carico.



# MANUTENZIONE E PULIZIA

## PULIZIA DEL GRUPPO FILTRO

Pulire regolarmente il gruppo filtro in modo che nei relativi elementi non si formino ostruzioni e che l'acqua vi scorra regolarmente.

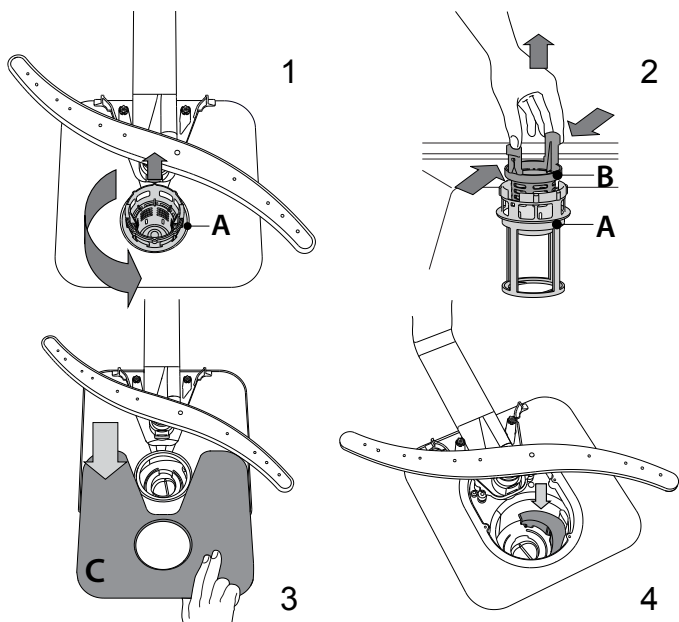
L'uso della lavastoviglie con i filtri ostruiti, o con oggetti estranei nel sistema filtrante o nei bracci irroratori, può causare malfunzionamenti e determinare una perdita di prestazioni, un aumento della rumorosità o un maggiore consumo di risorse.

Il gruppo filtro è composto da tre elementi filtranti che eliminano la presenza di residui di cibo dall'acqua di lavaggio, rimettendola in circolo ai fini del programma: per ottenere le migliori prestazioni durante il lavaggio è necessario che tali elementi siano sempre puliti.

**Non utilizzare mai la lavastoviglie priva dei filtri o con i filtri allentati.**

Almeno una volta al mese o ogni 30 cicli di lavaggio, verificare lo stato del gruppo filtro e se necessario pulirlo completamente sotto getto di acqua corrente, servendosi di spazzola metallica e seguendo le istruzioni sotto riportate:

1. Ruotare il filtro cilindrico **A** in senso antiorario, quindi estrarlo (Fig. 1).
2. Smontare il filtro a tazza **B** esercitando una leggera pressione sulle sponde laterali (Fig. 2).
3. Far scorrere il filtro a piastra in acciaio inossidabile **C**, fino ad estrarlo (Fig. 3).
4. Se si trovano oggetti estranei (frammenti di vetro, porcellana, ossa, semi di frutta, ecc.), rimuoverli con attenzione.
5. Esaminare il sifone ed eliminare la presenza di qualsiasi residuo di cibo. **NON TOGLIERE MAI** l'elemento di protezione della pompa di lavaggio (dettaglio di colore nero) (Fig. 4).



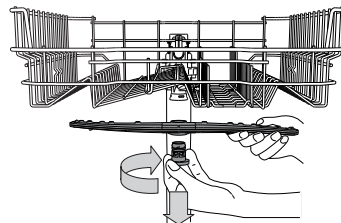
Dopo aver pulito i filtri, rimontare il gruppo e fissarlo correttamente in sede ciò è fondamentale per garantire l'efficienza della lavastoviglie.

## PULIZIA DEL TUBO DI CARICO ACQUA

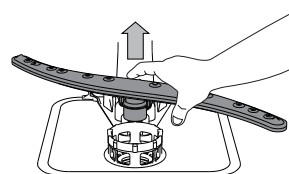
Se i tubi dell'acqua sono nuovi o sono rimasti inutilizzati per un periodo prolungato, prima di eseguire i raccordi necessari far scorrere l'acqua per controllare che sia pulita e priva di impurità. In assenza di tale precauzione, il tubo di carico acqua può risultare ostruito con conseguente danneggiamento della lavastoviglie.

## PULIZIA DEI BRACCI ASPERSORI

I residui di cibo possono occasionalmente formare incrostazioni sui bracci aspersori e bloccare i fori utilizzati per l'irrorazione dell'acqua. Si raccomanda pertanto di ispezionare di volta in volta i bracci e di pulirli mediante piccola spazzola metallica.



Per smontare il braccio aspersore superiore, ruotare l'anello di bloccaggio in plastica in senso orario. Il rimontaggio del braccio aspersore deve avvenire in modo che il lato con il maggior numero di fori sia rivolto verso l'alto.



È possibile smontare l'elemento aspersore del cestello inferiore sollevandolo verso l'alto.

## SISTEMA DI ADDOLCIMENTO DELL'ACQUA

L'addolcitore riduce automaticamente la durezza dell'acqua, impedendo la formazione di calcare sulla serpentina e contribuendo a migliorare l'efficienza di lavaggio.

**Questo sistema si rigenera con il sale, che deve essere perciò rabboccato quando il serbatoio del sale è vuoto.**

La frequenza di rigenerazione dipende dal livello di durezza impostato - con la durezza dell'acqua impostata al livello **3**, la rigenerazione avviene ogni **5** cicli Eco.



Il processo di rigenerazione inizia durante il risciacquo finale e termina nella fase di asciugatura, prima del termine del ciclo.

- Ogni rigenerazione comporta: un consumo di ~3,5 litri d'acqua;
- Un prolungamento di 5 minuti della normale durata del ciclo;
- Un consumo di energia minore di 0,005 kWh.



# RISOLUZIONE DEI PROBLEMI

Se la lavastoviglie non funziona correttamente, provare a risolvere il problema consultando l'elenco sotto riportato. Per errori o problemi di altro tipo, contattare un Servizio Assistenza Tecnica autorizzato; i dati di contatto sono riportati nel libretto di garanzia. I ricambi saranno disponibili per un periodo fino a 7 o fino a 10 anni, secondo i requisiti specifici del regolamento.

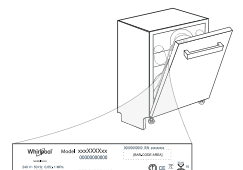
PROBLEMI	POSSIBILI CAUSE	SOLUZIONE
 L'indicatore del sale è acceso	Il serbatoio del sale è vuoto. (È possibile che, dopo aver riempito il serbatoio, la spia del sale resti accesa per diversi cicli di lavaggio).	Riempire il serbatoio con sale (per ulteriori informazioni, vedere pagina 2). Regolare la durezza dell'acqua - vedere la tabella a pagina 2.
 L'indicatore del brillantante è acceso	La vaschetta del brillantante è vuota. (È possibile che, dopo aver riempito la vaschetta, la spia del brillantante resti accesa per diversi cicli di lavaggio).	Riempire la vaschetta con brillantante (per ulteriori informazioni, vedere pagina 2)
La lavastoviglie non si avvia o i comandi non rispondono.	L'apparecchio non è stato collegato correttamente all'alimentazione elettrica.	Inserire la spina nella presa di corrente.
	Mancanza di corrente.	Per ragioni di sicurezza, la lavastoviglie non si riavvia automaticamente al ripristino della corrente elettrica. Aprire la porta, premere il tasto AVVIO/Pausa e richiudere la porta entro 4 secondi.
	Mancata chiusura della porta lavastoviglie.	Spingere con decisione la porta fino ad avvertire il caratteristico "clac".
	Il ciclo è stato interrotto con l'apertura dello sportello per più di 4 secondi.	Premere AVVIO/Pausa e chiudere lo sportello entro 4 secondi.
	Mancato funzionamento dei vari comandi.	Spegnere l'apparecchio premendo il tasto <b>ACCENSIONE/SPEGNIMENTO</b> , riaccenderlo dopo circa un minuto e riavviare il programma. Se il problema persiste, staccare l'apparecchio dalla rete elettrica per 1 minuto, quindi ricollegarlo.
Lo scarico della lavastoviglie non avviene.	Ciclo di lavaggio non ancora concluso.	Attendere la conclusione del ciclo di lavaggio.
	Tubo di scarico piegato.	Verificare che il tubo di scarico non sia piegato (vedere le <b>ISTRUZIONI DI INSTALLAZIONE</b> ).
	Tubo di scarico del lavandino ostruito.	Pulire il tubo di scarico del lavandino.
	Ostruzione filtro a causa di residui di cibo	Pulire il filtro (vedere <b>PULIZIA DEL GRUPPO FILTRO</b> ).
La rumorosità della lavastoviglie è eccessiva.	Urto dei piatti tra loro durante il lavaggio.	Sistemare le stoviglie nel modo corretto (vedere <b>CARICAMENTO DEI CESTELLI</b> ).
	Produzione eccessiva di schiuma.	Il dosaggio del detersivo non è stato stabilito in modo corretto oppure il detersivo non è del tipo adatto alle lavastoviglie (vedere <b>RIEMPIMENTO DELLA VASCHETTA DEL DETERSIVO</b> ). Per riavviare il ciclo in corso, spegnere e riaccendere la lavastoviglie, scegliere un nuovo programma, premere AVVIO/Pausa e chiudere lo sportello entro 4 secondi. Non aggiungere altro detersivo
I piatti non risultano puliti.	Errata disposizione delle stoviglie.	Sistemare le stoviglie nel modo corretto (vedere <b>CARICAMENTO DEI CESTELLI</b> ).
	Impedimento nella rotazione dei bracci aspersori a causa dell'interferenza dei piatti.	Sistemare le stoviglie nel modo corretto (vedere <b>CARICAMENTO DEI CESTELLI</b> ).
	Il ciclo di lavaggio è eccessivamente delicato.	Selezionare il programma adatto (vedere la <b>TABELLA DEI PROGRAMMI</b> ).
	Produzione eccessiva di schiuma.	Il dosaggio del detersivo non è stato stabilito in modo corretto oppure il detersivo non è del tipo adatto alle lavastoviglie (vedere <b>RIEMPIMENTO DEL DISTRIBUTORE DETERSIVO</b> ).
	Tappo sul vano brillantante non correttamente chiuso.	Accertarsi che il tappo sul distributore brillantante sia chiuso.
	Filtro sporco oppure ostruito.	Pulire il gruppo filtro (vedere <b>CURA E MANUTENZIONE</b> ).
La lavastoviglie non esegue il carico dell'acqua. Tutti i LED lo sono lampeggianti rapidamente	Mancanza di sale.	Riempire il serbatoio del sale (vedere <b>RIEMPIMENTO DEL SERBATOIO SALE</b> ).
	Assenza di alimentazione idrica o rubinetto chiuso.	Accertarsi che il tubo di alimentazione idrica contenga l'acqua necessaria o che il rubinetto sia aperto.
	Il tubo di carico è piegato	Accertarsi che il tubo di carico non sia piegato (vedere <b>INSTALLAZIONE</b> ) riprogrammare la lavastoviglie e riavviarla.
La lavastoviglie termina il ciclo di lavaggio troppo presto.	L'elemento filtrante nel tubo di carico è ostruito; è necessario pulirlo.	Dopo aver eseguito le operazioni di ispezione e pulizia, spegnere e accendere la lavastoviglie e avviare un programma nuovo.
	Il tubo di scarico è posizionato troppo in basso o crea un effetto sifone nell'impianto di scarico domestico.	Controllare che l'estremità del tubo di scarico si trovi all'altezza corretta (vedere <b>INSTALLAZIONE</b> ). Verificare eventuali effetti sifone nell'impianto di scarico domestico; se necessario, installare una valvola di ingresso aria.
	Aria nel tubo di mandata dell'acqua.	Controllare che non vi siano perdite nell'impianto idraulico o altri problemi che causino l'ingresso di aria.



## Documentazione normativa, documentazione standard, ordinazione di pezzi di ricambio e altre informazioni sul prodotto possono essere reperite:

- Visitando il nostro sito web **docs.hotpoint.eu** e **parts-selfservice.whirlpool.com**
- Usare il codice QR
- Oppure, **contattare il Servizio Assistenza Tecnica** (al numero di telefono riportato sul libretto di garanzia). Quando si contatta il Servizio Assistenza Tecnica, fornire i codici presenti sulla targhetta matricola del prodotto.

I dati del modello possono essere richiamati usando il codice QR riportato sull'etichetta energetica. L'etichetta riporta anche il codice identificativo del modello che può essere utilizzato per consultare il portale di registrazione su <https://eprel.ec.europa.eu>.



---

**400011645847B**

07/2023 dk - Xerox Fabriano



# GUIA DE REFERÊNCIA DE RESOLUÇÃO DE PROBLEMAS



**OBRIGADO POR TER ADQUIRIDO UM PRODUTO  
HOTPOINT ARISTON.**

Para beneficiar de uma assistência mais completa, registre  
o seu aparelho em: [www.hotpoint.eu/register](http://www.hotpoint.eu/register)

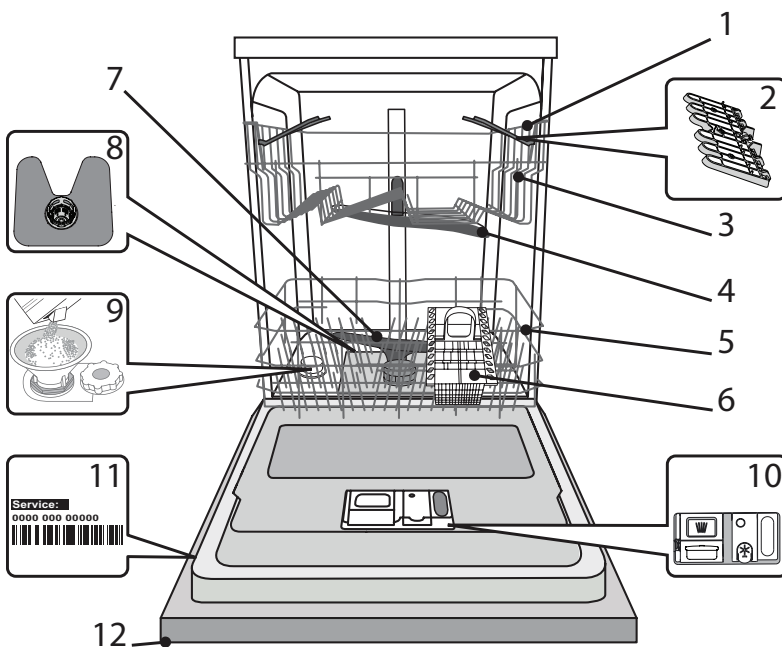


Pode transferir as instruções de Segurança  
e o Manual do Utilizador, visitando o nosso website  
[docs.hotpoint.eu](http://docs.hotpoint.eu) e seguindo as instruções no verso  
deste livro.

**Leia as Instruções de Segurança com atenção antes de usar o aparelho.**

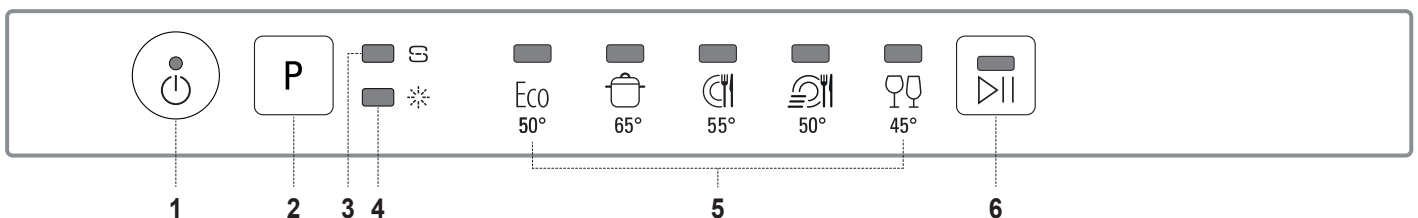
## DESCRIÇÃO DO PRODUTO

### APARELHO



1. Cesto superior
2. Abas dobráveis
3. Ajuste da altura do cesto superior
4. Braço aspersor superior
5. Cesto inferior
6. Cesto para os talheres
7. Braço aspersor inferior
8. Conjunto de filtros
9. Depósito de sal
10. Distribuidores de detergente e abrillantador
11. Chapa de características
12. Painel de comandos

### PAINEL DE COMANDOS



1. Botão Ligar-Desligar/Reinicie com indicador luminoso
2. Botão para seleção de programas
3. Luz indicadora de reabastecimento do sal
4. Luz indicadora de reabastecimento do abrillantador
5. Indicadores luminosos de programas
6. Botão Início/Pausa com indicador luminoso

# PRIMEIRA UTILIZAÇÃO SAL, ABRILHANTADOR E DETERGENTE


## CONSELHOS PARA A PRIMEIRA UTILIZAÇÃO

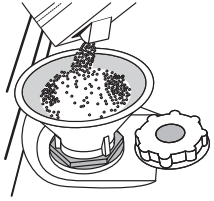
Após a instalação, retire os elementos de fixação dos cestos e os elementos de retenção elásticos do cesto superior.

### ENCHER O DEPÓSITO DO SAL

A utilização de sal evita a formação de calcário na loiça e nos componentes funcionais da máquina.

- É obrigatório que o **DEPÓSITO DE SAL NUNCA ESTEJA VAZIO**.
- É importante definir a dureza da água.

O depósito de sal situa-se na parte inferior da máquina de lavar loiça (ver *DESCRIÇÃO DOS PRODUTOS*) e tem de ser enchido quando o **indicador luminoso REABASTECIMENTO DO SAL**  estiver aceso no painel de comandos.



1. Retire o cesto inferior e desaperte a tampa do depósito (no sentido contrário ao dos ponteiros do relógio).
2. **Apenas na primeira vez em que o fizer: encha o depósito de sal com água.**
3. Posicione o funil (ver a figura) e encha o depósito de sal até ao rebordo (aprox. 1 kg); é normal que saia alguma água.
4. Retire o funil e limpe qualquer resíduo de sal da abertura.

Certifique-se de que a tampa está bem apertada para que não entre detergente no depósito durante o programa de lavagem (tal pode danificar o amaciador de água de modo irreparável).

**Se for necessário adicionar sal, é obrigatório executar o procedimento antes do início do ciclo de lavagem para evitar corrosão.**

### DEFINIR A DUREZA DA ÁGUA

Para que o amaciador de água funcione corretamente, é essencial que a definição de dureza da água tenha por base a dureza da água existente em sua casa. Pode obter esta informação consultando a empresa de abastecimento de água local.

A fábrica define o valor padrão para a dureza da água:

- Ligue a máquina premindo o botão **LIGAR/DESLIGAR**.
- Desligue a máquina premindo o botão **LIGAR/DESLIGAR**.
- Mantenha premido o botão **P** durante 5 segundos, até ouvir um sinal sonoro.
- Ligue a máquina premindo o botão **LIGAR/DESLIGAR**.
- O número do nível selecionado atualmente e o indicador luminoso do sal ficam intermitentes.
- Prima o botão **P** para selecionar o nível de dureza da água pretendido (VER *ATABELA DE DUREZA DA ÁGUA*)

Tabela de dureza da água				
Nível		°dH	°fH	°Clark
		Graus Alemães	Graus Franceses	Graus ingleses
1	Macia	0 - 6	0 - 10	0 - 7
2	Média	7 - 11	11 - 20	8 - 14
3	Média	12 - 16	21 - 29	15 - 20
4	Dura	17 - 34	30 - 60	21 - 42
5	Muito dura	35 - 50	61 - 90	43 - 62

- Desligue a máquina premindo o botão **LIGAR/DESLIGAR**.

A definição está concluída!

Assim que este procedimento estiver concluído, execute um programa sem carregar qualquer loiça na máquina.


**Utilize apenas sal especificamente concebido para máquinas de lavar loiça.**

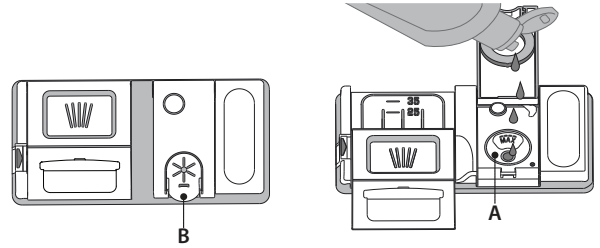
Depois de colocar o sal na máquina, o indicador luminoso REABASTECIMENTO DO SAL apaga-se.

**Se o depósito de sal não for enchido, o amaciador de água e o elemento de aquecimento podem ser danificados em resultado da acumulação de calcário.**

**A utilização de sal é recomendada com qualquer tipo de detergente para a máquina de lavar loiça.**

## ENCHER O DISTRIBUIDOR DE ABRILHANTADOR

O abrillantador facilita a SECAGEM da loiça. O distribuidor de abrillantador **A** deve ser enchido quando o **indicador luminoso de REABASTECIMENTO DO ABRILHANTADOR**  no painel de comandos se acender.



1. Abra o distribuidor **B** pressionando e puxando a patilha da tampa.
2. Encha cuidadosamente com abrillantador até ao entalhe de referência máximo (110 ml) da área de enchimento, evitando derramá-lo. Se isso acontecer, limpe imediatamente com um pano seco.
3. Pressione a tampa para baixo até ouvir um clique de fecho.

**NUNCA deite o abrillantador diretamente na cuba da máquina.**

### AJUSTAR A DOSAGEM DE ABRILHANTADOR

Se não estiver completamente satisfeito(a) com os resultados da secagem, pode ajustar a quantidade de abrillantador utilizado.

- Ligue a máquina de lavar loiça com o botão **LIGAR/DESLIGAR**.

- Desligue-a com o botão **LIGAR/DESLIGAR**.

- Prima o botão **P** três vezes; será audível um sinal sonoro.

- Ligue-a com o botão **LIGAR/DESLIGAR**.

- O indicador luminoso do programa do nível atualmente definido fica intermitente.

- Prima o botão **P** para selecionar a quantidade de abrillantador a distribuir.

- Desligue-a com o botão **LIGAR/DESLIGAR**

A definição está concluída!

Se o nível de abrillantador estiver definido para 1 (ECO), não será distribuído abrillantador. O indicador luminoso de POUCO ABRILHANTADOR não se acende se o abrillantador acabar.

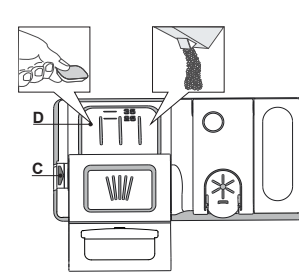
É possível definir um máximo de 5 níveis, de acordo com o modelo da máquina de lavar loiça. As definições de fábrica são específicas deste modelo, pelo que deverá seguir as instruções acima para utilizar corretamente a sua máquina de lavar loiça

- Se a loiça possuir riscas azuladas, defina um nível baixo (2-3).

- Se existirem gotas de água ou marcas de calcário na loiça, defina um número alto (4-5).

## ENCHER O DISTRIBUIDOR DE DETERGENTE

**Para abrir o distribuidor de detergente, utilize o dispositivo de abertura C. Coloque o detergente apenas no distribuidor seco D. Coloque a quantidade de detergente para pré-lavagem diretamente na cuba.**



1. Para dosear o detergente, consulte as informações anteriormente mencionadas para adicionar a quantidade correta. No interior do distribuidor **D**, existem indicações que ajudam a dosear o detergente.






2. Elimine os resíduos de detergente dos rebordos do distribuidor e feche a tampa até fazer clique.

3. Feche a tampa do distribuidor de detergente puxando-a para cima até que o dispositivo de fecho esteja fixo no devido local.

O distribuidor de detergente abre-se automaticamente no momento certo, de acordo com o programa.

**A utilização de detergentes inapropriados para máquinas de lavar loiça poderá causar avarias ou danos no aparelho.**

# TABELA DE PROGRAMAS

Programa	Fase de secagem	Duração do programa de lavagem (h:min) <sup>*)</sup>	Consumo de água (litros/ciclo)	Consumo de energia (kWh/ciclo)
1. Eco  50°	✓	3:20	12,0	1,04
2. Intensivo  65°	✓	2:30	16,0	1,50
3. Mista  55°	✓	2:25	16,0	1,35
4. Lavagem Rápida  50°	-	1:00	11,5	1,10
5. Delicado  45°	✓	1:30	11,5	1,10

Os dados do programa ECO são avaliados em condições laboratoriais de acordo com a norma europeia EN 60436:2020.

Nota para os Laboratórios de Ensaio: para informações sobre as condições do ensaio comparativo EN, solicitar ao endereço: [dw\\_test\\_support@whirlpool.com](mailto:dw_test_support@whirlpool.com)

Não é necessário efetuar qualquer tipo de pré-tratamento da loiça antes de iniciar os programas.

\*) Os valores apresentados para todos os programas, à exceção do programa Eco, são meramente indicativos. O tempo real poderá variar dependendo de vários fatores, tais como a temperatura e a pressão da água de entrada, a temperatura ambiente, a quantidade de detergente, a quantidade e o tipo de carga, o equilíbrio da carga, as opções adicionais selecionadas e a calibragem do sensor. A calibragem do sensor pode aumentar a duração do programa até 20 min.

## DESCRIÇÃO DOS PROGRAMAS

### Instruções sobre a seleção do ciclo de lavagem.

#### 1 ECO

O programa Eco é ideal para lavar loiça com um nível de sujidade normal, sendo o programa mais eficiente para o efeito em termos da sua utilização combinada de energia e de água e estando em conformidade com a legislação de conceção ecológica da UE.

#### 2 INTENSIVO

Programa aconselhado para loiça muito suja, sendo particularmente indicado para tachos e panelas (não deve ser utilizado para objetos frágeis)

#### 3 MISTA

Sujidade mista. Para loiça com um grau de sujidade normal, com restos de comida secos.

#### 4 LAVAGEM RÁPIDA

Programa para uma quantidade limitada de loiça de sujidade normal. Garante um desempenho de limpeza ideal num período de tempo mais curto.

#### 5 DELICADO

Programa para objetos frágeis e mais sensíveis a temperaturas elevadas, tais como copos de vidro e chávenas.

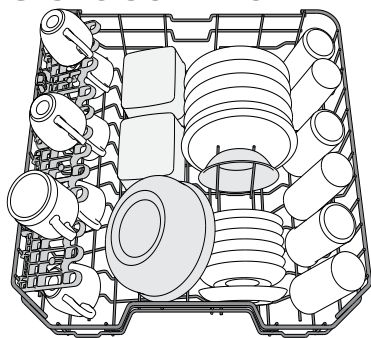
#### Notas:

Note que o ciclo de lavagem *Lavagem Rápida* destina-se à lavagem de loiça com sujidade ligeira.



# CARREGAR OS CESTOS

## CESTO SUPERIOR



(exemplo de carga no cesto superior)

Carregue neste cesto a loiça frágil e leve: copos, chávenas, pires, tigelas.

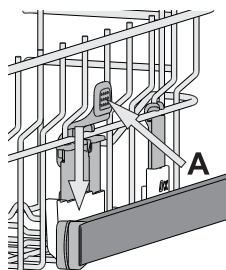
## AJUSTAR A ALTURA DO CESTO SUPERIOR

É possível ajustar a altura do cesto superior: utilize uma posição mais elevada para colocar loiça mais volumosa no cesto inferior e uma posição mais baixa para aproveitar ao máximo os suportes rebatíveis, criando mais espaço superior e evitando o choque com os objetos colocados no cesto inferior.

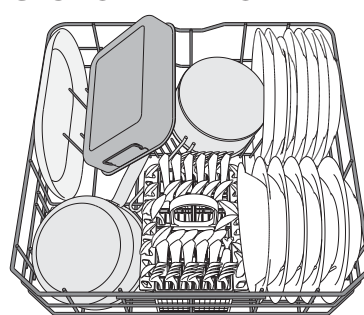
O cesto superior está equipado com um **ajuste de altura do cesto superior** (consulte a figura); sem pressionar as alavancas, eleve o cesto segurando-o pelas partes laterais, logo que o cesto fique estável na posição superior.

Para voltar à posição inferior, pressione as alavancas **A** existentes nas partes laterais do cesto e desloque-o para baixo.

**Recomendamos vivamente que não ajuste a altura do cesto quando este está carregado. NUNCA eleve ou baixe o cesto apenas de um lado.**



## CESTO INFERIOR



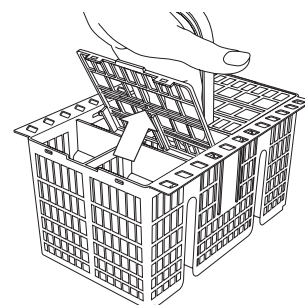
(exemplo de carga para o cesto inferior)

Para tachos, tampas, pratos, saladeiras, talheres, etc.. Os pratos e as tampas grandes devem ser colocados dos lados, a fim de evitar interferências com o braço aspersor.

## CESTO PARA OS TALHERES

O cesto equipado com duas grelhas superiores para facilitar a disposição dos talheres. Só pode ser posicionado na parte dianteira do cesto inferior.

**As facas e os outros utensílios afiados têm de ser colocados no cesto dos talheres, com as extremidades voltadas para baixo ou horizontalmente nos compartimentos rebatíveis do cesto superior.**



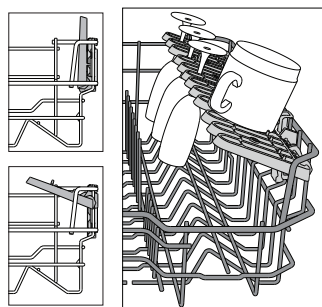
## ABAS DOBRÁVEIS COM POSIÇÃO AJUSTÁVEL

As abas laterais podem ser dobradas ou desdobradas para otimizar a disposição da loiça dentro do cesto.

Os copos de vinho podem ser posicionados em segurança nas abas dobráveis, introduzindo o pé de cada copo nas ranhuras correspondentes.

Conforme o modelo:

- para desdobrar as abas, é necessário deslizá-las para cima e rodá-las ou soltá-las dos encaixes e puxá-las para baixo.
- para dobrar as abas, é necessário rodá-las e deslizá-las para baixo ou puxá-las para cima e encaixá-las nos respectivos encaixes.



# UTILIZAÇÃO DIÁRIA

## 1. VERIFICAR A LIGAÇÃO AO ABASTECIMENTO DE ÁGUA

Certifique-se de que a máquina de lavar loiça está ligada à rede de abastecimento de água e que a torneira está aberta.

## 2. LIGAR A MÁQUINA DE LAVAR LOIÇA

Abra a porta e prima o botão **LIGAR/DESLIGAR**.

## 3. CARREGAR OS CESTOS

(consultar "COMO COLOCAR A LOIÇA NOS CESTOS")

## 4. ENCHER O DISTRIBUIDOR DE DETERGENTE

## 5. SELECIONAR UM PROGRAMA E PERSONALIZAR O CICLO

Selecione o programa mais adequado consoante o tipo de loiça e o nível de sujidade (ver *DESCRIÇÃO DOS PROGRAMAS*), premindo o botão **P**.

Selecione as opções pretendidas (ver *OPÇÕES E FUNÇÕES*).

## 6. INICIAR

Inicie o ciclo de lavagem premindo o botão **INÍCIO/PAUSA** (o LED acende-se) e feche a porta no espaço de 4 segundos. Quando o programa começar, é emitido um único sinal sonoro (beep). Se a porta da máquina não for fechada no espaço de 4 segundos, é emitido um sinal sonoro de aviso. Neste caso, abra a porta, prima o botão **INÍCIO/PAUSA** e feche a porta novamente no espaço de 4 segundos.

## 7. FINAL DO CICLO DE LAVAGEM

O fim do ciclo de lavagem é indicado por sinais sonoros e ficando também intermitente o indicador luminoso do programa selecionado. Abra a porta e desligue a máquina premindo o botão **LIGAR/DESLIGAR**. Aguarde alguns minutos antes de retirar os talheres, a fim de evitar queimaduras. Descarregue os cestos, começando pelo inferior.

**A máquina desliga-se automaticamente durante períodos alargados de inatividade, a fim de reduzir o consumo de energia.**

**Se a loiça estiver apenas ligeiramente suja ou tiver sido passada por água antes de ser colocada na máquina de lavar loiça, diminua a quantidade de detergente utilizado em conformidade.**

## ALTERAR UM PROGRAMA EM CURSO

Se tiver sido selecionado um programa incorreto, é possível mudá-lo, desde que o mesmo tenha começado há pouco tempo: abra a porta, prima sem soltar o botão **LIGAR/DESLIGAR** e a máquina desliga-se. Volte a ligar a máquina utilizando o botão **LIGAR/DESLIGAR** e selecione um novo ciclo de lavagem e as opções pretendidas; Inicie o ciclo de lavagem premindo o botão **INÍCIO/PAUSA** e feche a porta no espaço de 4 segundos.

## ADICIONAR MAIS LOIÇA

Sem desligar a máquina, abra a porta (o LED do botão **INÍCIO/PAUSA** começa a piscar), **tendo cuidado com o vapor QUENTE**, e coloque a loiça adicional no interior da máquina de lavar loiça. Prima o botão **INÍCIO/PAUSA** e feche no espaço de 4 segundos para retomar o ciclo no ponto em que foi interrompido.

## INTERRUPÇÕES ACIDENTAIS

Se a porta for aberta durante o ciclo de lavagem ou se houver um corte de energia, o ciclo para. Prima o botão **INÍCIO/PAUSA** e feche a no espaço de 4 segundos para retomar o ciclo no ponto em que foi interrompido.

# CONSELHOS E SUGESTÕES

## CONSELHOS

Antes de carregar os cestos, elimine todos os restos de comida da loiça e esvazie os copos. **Não é necessário passar previamente a loiça por água corrente.** Disponha a loiça de modo a que fique firme e não vire; disponha os recipientes com as aberturas voltadas para baixo e os elementos côncavos/convexos na diagonal, a fim de permitir que a água chegue a toda a superfície e flua facilmente.

**Aviso:** as tampas, as pegas, os tabuleiros e as frigideiras não impedem a rotação dos braços aspersores. Coloque os objetos pequenos no cesto dos talheres. A loiça e os tachos muito sujos devem ser colocados no cesto inferior, uma vez que nesta área a aspersão de água é mais intensa e permite obter melhores resultados de lavagem.

Depois de carregar a máquina, certifique-se de que os braços aspersores conseguem rodar livremente.

## LOIÇA INADEQUADA

- Loiça e talheres de madeira.
- Copos frágeis com decoração, artesanato artístico ou loiça antiga. As decorações não são resistentes.
- Peças de material sintético que não resistam a temperaturas altas.
- Loiça de cobre e estanho.
- Loiça suja com cinza, cera, lubrificante ou tinta.

As cores das decorações de peças em vidro e as peças de alumínio/prata podem sofrer alterações e desbotar durante o processo de lavagem. Alguns tipos de vidro (por ex., cristal) podem ficar opacos após alguns ciclos de lavagem.

## DANOS EM VIDRO E LOIÇA

- Coloque apenas vidros e porcelana que tenham garantia do fabricante como sendo adequados para lavagem na máquina de lavar loiça.
- Utilize um detergente suave adequado para loiça
- Retire os vidros e a loiça da máquina de lavar loiça assim que o ciclo de lavagem termine.

## SUGESTÕES PARA POUPAR ENERGIA

- Se a máquina de lavar loiça for utilizada de acordo com as instruções do fabricante, **um ciclo de lavagem de loiça consome habitualmente MENOS ENERGIA e água do que uma lavagem manual da loiça.**
- Para maximizar a eficiência da máquina de lavar loiça, recomenda-se que inicie o ciclo de lavagem assim que a máquina esteja totalmente carregada com loiça. Ao carregar a máquina de lavar loiça até à capacidade máxima indicada pelo fabricante irá contribuir para poupar energia e água. Poderá encontrar informações sobre o carregamento correto da loiça na secção "CARREGAR OS CESTOS". Caso a máquina de lavar loiça seja carregada apenas parcialmente, recomenda-se que utilize as opções de lavagem dedicadas, se disponíveis (Meia carga/ Zone Wash/ Multizone), carregando loiça apenas nos cestos selecionados para o efeito. Carregar ou sobrecarregar incorretamente a máquina de lavar loiça pode aumentar o uso de recursos (como água, energia e tempo, além de aumentar o nível de ruído), reduzindo o desempenho de limpeza e de secagem.
- A pré-lavagem manual de loiça causa um aumento do consumo de água e de energia, não sendo, portanto, recomendada.

## HIGIENIZAÇÃO

Para evitar odores e acumulação de sedimentos na máquina de lavar loiça, execute um programa de temperatura elevada pelo menos uma vez por mês. Utilize uma colher de chá de detergente e coloque a máquina a funcionar sem carga para efetuar a limpeza do aparelho.

# LIMPEZA E MANUTENÇÃO

## LIMPAR O CONJUNTO DE FILTROS

Limpe regularmente o conjunto de filtros para que os filtros não fiquem entupidos e para que a água residual flua corretamente.

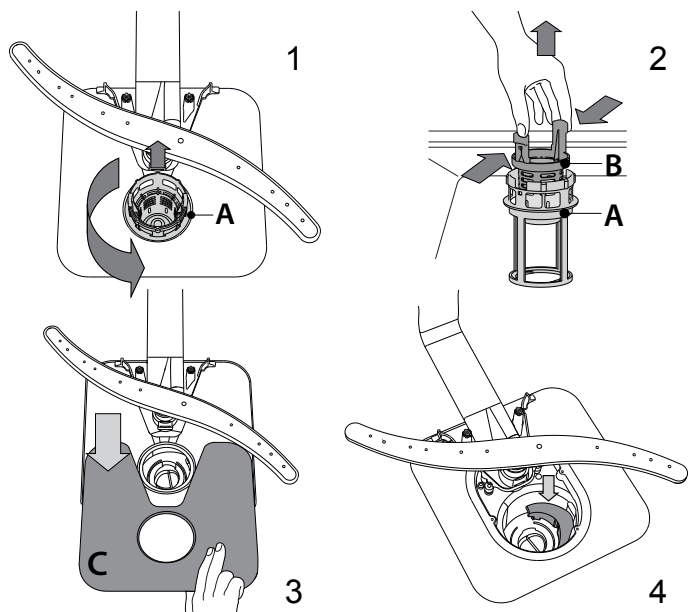
Ao utilizar a máquina de lavar loiça com filtros obstruídos ou objetos estranhos dentro do sistema de filtragem ou nos pulverizadores poderá causar o mau funcionamento da unidade, resultando numa perda de desempenho, num funcionamento ruidoso ou numa maior utilização de recursos.

O conjunto de filtros é composto por três filtros que eliminam os restos de comida da água de lavagem e fazem recircular a água: para obter os melhores resultados de lavagem é necessário limpá-los.

**A máquina de lavar loiça não pode ser utilizada sem filtros ou com os filtros soltos.**

Pelo menos uma vez por mês ou após cada 30 ciclos, verifique o conjunto de filtros e, se necessário, limpe-os muito bem em água corrente, utilizando uma escova não metálica e seguindo as instruções abaixo:

1. Rode o filtro cilíndrico **A** no sentido contrário ao dos ponteiros do relógio e retire-o (Fig. 1).
2. Retire a parte interna do filtro **B** exercendo uma ligeira pressão nas abas laterais (Fig. 2).
3. Faça deslizar para fora o filtro de aço inoxidável **C** (Fig. 3).
4. Caso encontre quaisquer objetos estranhos (tais como vidros e porcelana partidos, ossos de comida, sementes de frutos, etc.) remova-os cuidadosamente.
5. Inspeccione o coletor e retire quaisquer restos de comida. **NUNCA RETIRE** a proteção da bomba do ciclo de lavagem (elemento preto) (Fig. 4).



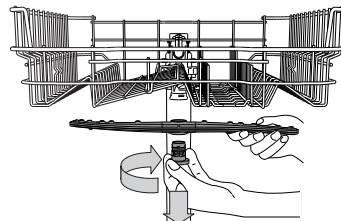
Depois de limpar os filtros, volte a colocar o conjunto de filtros e fixe-o corretamente na devida posição; isto é essencial para manter um funcionamento eficaz da máquina de lavar loiça.

## LIMPAR A MANGUEIRA DE ENTRADA DE ÁGUA

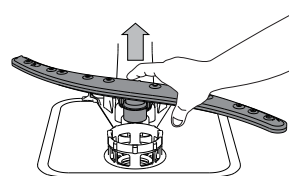
Se as mangueiras da água forem novas ou não tiverem sido utilizadas durante um longo período de tempo, deixe a água correr para garantir que estão desobstruídas e sem impurezas antes de efetuar as ligações necessárias. Se não tomar esta precaução, a entrada de água pode ficar obstruída e danificar a máquina de lavar loiça.

## LIMPAR OS BRAÇOS ASPERSORES

Por vezes, os restos de comida podem acumular-se nos braços aspersores e bloquear os orifícios utilizados para pulverizar a água. Assim, recomenda-se que verifique periodicamente os braços e que os limpe com uma escova pequena não metálica.



Para retirar o braço aspersor superior, rode o anel de bloqueio de plástico no sentido dos ponteiros do relógio. O braço aspersor superior deve ser recolocado de modo a que o lado com mais orifícios fique voltado para cima.



É possível remover o braço aspersor inferior puxando-o para cima.

## SISTEMA DE DESENDERECIMENTO DA ÁGUA

O descalcificador de água reduz automaticamente a dureza da água evitando, conseqüentemente, a acumulação de calcário no aquecedor, e contribuindo também para uma melhor eficiência de limpeza.

**Este sistema regenera-se com sal, portanto, é necessário reabastecer o recipiente de sal sempre que este estiver vazio.**



A frequência da regeneração depende da definição do nível de dureza da água - a regeneração ocorre uma vez a cada 5 ciclos Eco com uma definição de dureza da água de nível 3.

O processo de regeneração começa no ciclo de enxaguamento final e termina na fase de secagem, antes do término do ciclo.

- Uma única regeneração consome: ~3,5 litros de água;
- Demora até 5 minutos adicionais para o ciclo;
- Consome menos de 0,005 kWh de energia.

# RESOLUÇÃO DE PROBLEMAS

Caso a sua máquina de lavar loiça não funcione corretamente, verifique se consegue resolver o problema através das soluções apresentadas na lista que se segue. Para outros erros ou problemas, entre em contacto com o Serviço de Pós-venda Autorizado, cujos detalhes de contacto podem ser encontrados no livrete da garantia. As peças sobressalentes estarão disponíveis por um período de até 7 ou até 10 anos, de acordo com os requisitos específicos do Regulamento.

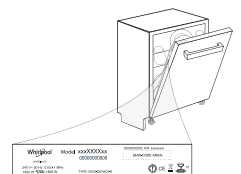
PROBLEMAS	CAUSAS POSSÍVEIS	SOLUÇÕES
 O indicador de sal está aceso	O reservatório de sal está vazio. (Após abastecer com sal o indicador poderá permanecer aceso durante vários ciclos de lavagem).	Encha o reservatório com sal (para mais informações consulte a página 2). Ajuste a dureza da água - consulte a tabela na página 2.
 O indicador do abrillantador está aceso	A gaveta do abrillantador está vazia. (Após abastecer com abrillantador o indicador poderá permanecer aceso durante vários ciclos de lavagem).	Encha o reservatório com abrillantador (veja mais informações na página 2).
A máquina de lavar loiça não começa a funcionar ou não responde aos comandos.	A máquina não está ligada corretamente.	Ligue a ficha à tomada.
	Corte de energia.	Por motivos de segurança, a máquina de lavar loiça não reinicia automaticamente quando a energia é reposta. Abra a porta da máquina de lavar loiça, prima o botão INÍCIO/PAUSA e feche a porta no espaço de 4 segundos.
	A porta da máquina de lavar loiça não está fechada.	Empurre vigorosamente a porta até ouvir um "clique".
	O ciclo é interrompido com a abertura da porta durante > 4 segundos.	Prima INÍCIO/PAUSA e feche a porta no espaço de 4 segundos.
	A máquina não responde aos comandos.	Desligue a máquina premindo o botão LIGAR/DESLIGAR, volte a ligá-la passado cerca de um minuto e reinicie o programa. Se o problema persistir, desligue o aparelho durante 1 minuto e ligue-o novamente
A máquina de lavar loiça não escoar a água.	O ciclo de lavagem ainda não terminou.	Aguarde até que o ciclo de lavagem termine.
	O tubo de escoamento está dobrado.	Certifique-se de que o tubo de escoamento não está dobrado ( <i>consulte INSTRUÇÕES DE INSTALAÇÃO</i> ).
	O tubo de escoamento do lava-loiça está obstruído.	Limpe o tubo de escoamento do lava-loiça.
	O filtro está obstruído com restos de comida	Limpe o filtro ( <i>ver LIMPAR O CONJUNTO DE FILTROS</i> ).
A máquina de lavar loiça faz um ruído excessivo.	Os pratos estão a chocar entre si.	Disponha a loiça corretamente ( <i>ver CARREGAR OS CESTOS</i> ).
	Foi produzida uma quantidade excessiva de espuma.	O detergente não foi doseado corretamente ou não é adequado para utilização em máquinas de lavar loiça ( <i>ver ENCHER O DISTRIBUIDOR DE DETERGENTE</i> ). Reinicie o ciclo atual desligando a máquina de lavar loiça e voltando a ligá-la; selecione um novo programa, prima INÍCIO/PAUSA e feche a porta no espaço de 4 segundos. Não adicione mais detergente.
A loiça não fica limpa.	A loiça foi disposta de forma incorreta.	Disponha a loiça corretamente ( <i>ver CARREGAR OS CESTOS</i> ).
	Os braços aspersores não conseguem rodar livremente, sendo impedidos pela loiça.	Disponha a loiça corretamente ( <i>ver CARREGAR OS CESTOS</i> ).
	O ciclo de lavagem é demasiado suave.	Selecione um ciclo de lavagem apropriado ( <i>ver TABELA DE PROGRAMAS</i> ).
	Foi produzida uma quantidade excessiva de espuma.	O detergente não foi doseado corretamente ou não é adequado para utilização em máquinas de lavar loiça ( <i>ver ENCHER O DISTRIBUIDOR DE DETERGENTE</i> ).
	A tampa do depósito de abrillantador não está bem fechada.	Certifique-se de que a tampa do distribuidor de abrillantador está fechada.
	O filtro está sujo ou obstruído.	Limpe o conjunto de filtros ( <i>ver LIMPEZA E MANUTENÇÃO</i> ).
	Não há sal.	Encha o depósito de sal ( <i>ver ENCHER O DEPÓSITO DO SAL</i> ).
A máquina de lavar loiça não se enche de água. Todos os LEDs estão piscando rapidamente	Não há abastecimento de água ou a torneira está fechada.	Certifique-se de que há água ou que a torneira está aberta.
	A mangueira da entrada está dobrada.	Certifique-se de que a mangueira de entrada não está dobrada ( <i>ver INSTALAÇÃO</i> ), volte a programar a máquina e reinicialize-a.
	O filtro da mangueira de entrada de água está obstruído; é necessário limpá-lo.	Depois de efetuar a verificação e a limpeza, desligue a máquina de lavar loiça, volte a ligá-la e reinicie um novo programa.
A máquina de lavar loiça termina o ciclo prematuramente.	Drene a mangueira que está posicionada demasiado em baixo ou drene para o seu sistema de esgoto doméstico.	Verifique se a extremidade da mangueira de drenagem está colocada à altura correta ( <i>consulte INSTALAÇÃO</i> ). Verifique se existe um sifão no sistema de esgoto doméstico, instale a válvula de admissão de ar, se necessário.
	Existe ar no abastecimento de água.	Verifique se existem fugas de água ou outros problemas que causem a entrada de ar.



As políticas da empresa, documentação padrão, encomenda de peças sobressalentes e informações adicionais sobre o produto poderão ser consultadas em:

- Visitando a nossa página web [docs.hotpoint.eu](https://docs.hotpoint.eu) e [parts-selfservice.whirlpool.com](https://parts-selfservice.whirlpool.com)
- Utilizando o código QR
- Em alternativa, **contacte o nosso Serviço Pós-venda** (através do número de telefone contido no livrete da garantia). Ao contactar o nosso Serviço Pós-Venda, indique os códigos fornecidos na placa de identificação do seu produto.

A informação relativa ao modelo pode ser obtida utilizando o código QR indicado na etiqueta energética. A etiqueta inclui também o identificador do modelo, que pode ser utilizado para consultar o portal de registo em <https://eprel.ec.europa.eu>



---

**400011645847B**

07/2023 dk - Xerox Fabriano





# NAVODILA ZA ODPRAVLJANJE TEŽAV



**HVALA, KER STE KUPILI IZDELEK ZNAMKE HOTPOINT ARISTON.** Za popolno podporo aparat registrirajte na spletni strani: [www.hotpoint.eu/register](http://www.hotpoint.eu/register)

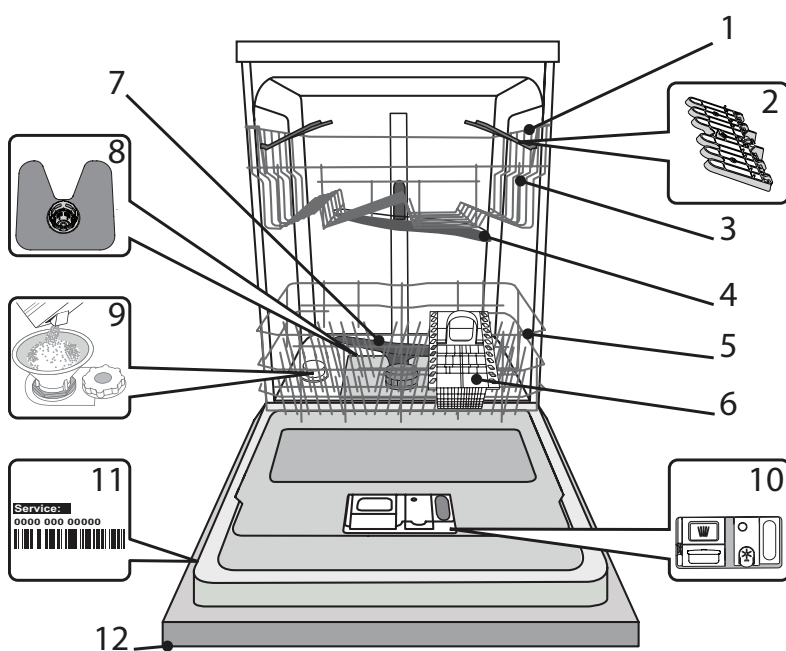


Varnostna navodila in Navodila za uporabo lahko prenesete tako, da obiščete naše spletno mesto [docs.hotpoint.eu](http://docs.hotpoint.eu) in sledite navodilom na hrbtni strani te knjižice.

**Pred uporabo aparata pozorno preberite Varnostna navodila.**

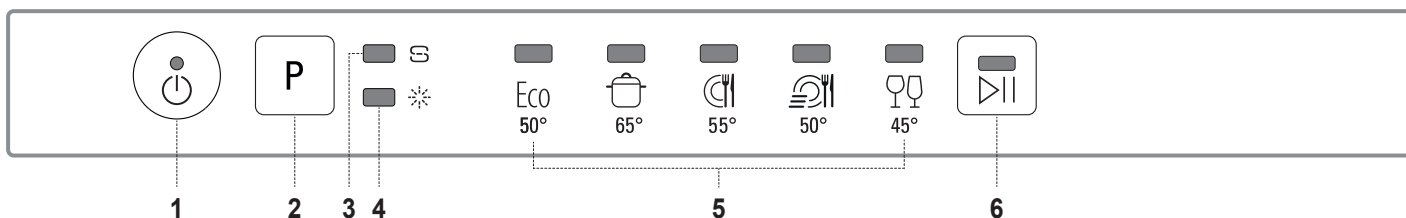
## OPIS IZDELKA

### APARAT



1. Zgornja košara
2. Zložljiva polička
3. Regulator višine zgornje košare
4. Zgornja pršilna roka
5. Spodnja košara
6. Košarica za pribor
7. Spodnja pršilna roka
8. Filtrirni sklop
9. Posoda za sol
10. Prekat za pomivalno sredstvo in posoda za tekočino za lesk
11. Napisna ploščica
12. Upravljalna plošča

### UPRAVLJALNA PLOŠČA



1. Tipka za Vkllop/Izklop/Ponastavitev s signalno lučko
2. Tipka za izbiro programa
3. Signalna lučka za nizko raven soli
4. Signalna lučka za nizko raven tekočine za lesk
5. Indikatorske lučke programov
6. Tipka za Zagon/Premor s signalno lučko

# PRVA UPORABA

## SOL, TEKOČINA ZA LESK IN POMIVALNO SREDSTVO


### NASVETI ZA PRVO UPORABO

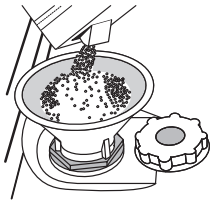
Po namestitvi iz košar odstranite varovala in pritrtilne elastike iz zgornje košare.

### POLNENJE POSODE ZA SOL

Uporaba soli preprečuje nastajanje VODNEGA KAMNA na posodi in na delujočih komponentah aparata.

- Obvezno je, da **POSODA ZA SOL NI NIKOLI PRAZNA**.
- Trdoto vode je treba obvezno nastaviti.

Posoda za sol je nameščena na spodnji strani pomivalnega stroja (glejte OPIS IZDELKA). Morate jo napolniti, kadar na nadzorni plošči sveti indikatorna lučka za **POLNENJE SOLI** .



1. Izvzemite spodnjo košaro in odvijte pokrovček posode (v nasprotni smeri urnega kazalca).
2. **Samo ob prvi uporabi: posodo za sol napolnite z vodo.**
3. Namestite lijak (glejte sliko) in posodo za sol napolnite do roba (približno 1 kg); nič nenavadnega ni, če pri tem iz posode izteče nekaj vode.
4. Odstranite lijak in obrišite ostanke soli okrog odprtine.

Pokrovček mora biti trdno pravit, da pomivalno sredstvo med pomivanjem ne more prodreti v posodo (to bi lahko sistem za mehčanje vode nepopravljivo poškodovalo).

**Ko je treba dodati sol, morate postopek obvezno zaključiti pred začetkom pralnega cikla, da preprečite korozijo.**

### NASTAVITEV TRDOTE VODE

Za brezhibno delovanje sistema za mehčanje vode je ključnega pomena, da nastavev trdote vode ustreza dejanskim vrednostim trdote vode v vašem domu. Te vrednosti so vam na voljo pri krajevnem vodovodnem podjetju.

Privzeta vrednost trdote vode je nastavljena tovarniško.

- S pritiskom na tipko za **VKLOP/IZKLOP** vklopite aparat.
- S pritiskom na tipko za **VKLOP/IZKLOP** izklopite aparat.
- 5 sekund držite tipko za **P**, da zaslišite zvočni signal.
- S pritiskom na tipko za **VKLOP/IZKLOP** vklopite aparat.
- Signalna lučka programa trenutno nastavljene stopnje utripa.
- Pritisnite tipko **P** za izbiro zelene ravni trdote (glejte RAZPREDELNICO ZA TRDOTO VODE).

Tabela trdote vode				
Stopnja		°dH Nemške stopinje	°fH Francoske stopinje	°Clark Angleške stopinje
1	Mehka	0 - 6	0 - 10	0 - 7
2	Srednja	7 - 11	11 - 20	8 - 14
3	Povprečna	12 - 16	21 - 29	15 - 20
4	Trda	17 - 34	30 - 60	21 - 42
5	Zelo trda	35 - 50	61 - 90	43 - 62

- S pritiskom na tipko za **VKLOP/IZKLOP** izklopite aparat.

Nastavev je končana!

Ko to storite, zaženite program brez posode.


**Uporabite sol, ki je bila zasnovana posebej za pomivalne stroje.**

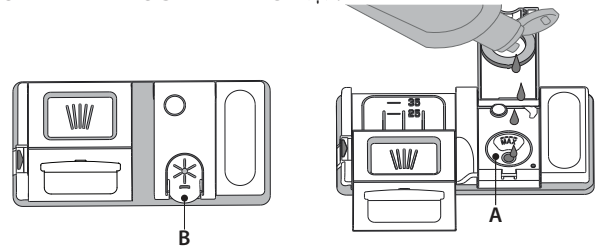
Ko dodate sol, signalna lučka za NIZKO RAVEN SOLI ugasne.

**Če posoda za sol ni napolnjena, se lahko sistem za mehčanje vode in grelnik poškodujeta zaradi nabiranja vodnega kamna.**

**Uporaba soli je priporočljiva s katero koli vrsto sredstva za pomivanje posode.**

### POLNENJE POSODE ZA TEKOČINO ZA LESK

Tekočina za lesk olajša SUŠENJE posode. Posodo za tekočino za lesk **A** je treba napolniti, ko na upravljalni plošči zasveti **signalna lučka za NIZKO RAVEN TEKOČINE ZA LESK** .



1. Posodo **B** odprete tako, da pritisnete na jeziček na pokrovčku in ga povlečete.
2. Tekočino za lesk previdno nalijte do oznake za maksimum (110 ml), pri čemer pazite, da tekočine ne polivate. Če se to vseeno zgodi, razlito tekočino nemudoma pobrišite s suho krpo.
3. Pritisnite na pokrovček, da se slišno zaskoči.

**Tekočine za lesk NE nalivajte neposredno v kad.**

### NASTAVITEV ODMERJANJA TEKOČINE ZA LESK

Če rezultati sušenja niso popolnoma zadovoljivi, lahko spremenite količino uporabljene tekočine za lesk.

- Vključite pomivalni stroj s tipko za **VKLOP/IZKLOP**.
- Aparat izklopite s tipko za **VKLOP/IZKLOP**.
- Trikrat pritisnite tipko **P** – zasliši se zvočni signal.
- Aparat vklopite s tipko za **VKLOP/IZKLOP**.
- Signalna lučka programa trenutno nastavljene stopnje utripa.
- Pritisnite tipko **P**, da izberete količino dovajanja tekočine za lesk.
- Aparat izklopite s tipko za **VKLOP/IZKLOP**.

Nastavev je končana!

Če je raven tekočine za lesk nastavljena na 1 (ECO), aparat ne bo dovajal tekočine za lesk. Signalna lučka za NIZKO RAVEN TEKOČINE ZA LESK ne bo zasvetila, če tekočine za lesk zmanjka.

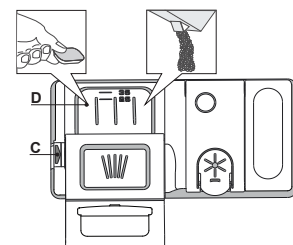
Glede na model pomivalnega stroja je mogoče nastaviti največ 5 stopnje. Tovarniška namestitev je odvisna od modela. Pri svojem aparatu jo preverite, tako da sledite zgornjim navodilom.

- Če so na posodi modre črte, nastavite nižjo vrednost (2-3).
- Če so na posodi sledi vodnih kapljic ali vodnega kamna, nastavite višjo vrednost (4-5).

### POLNENJE PREKATA ZA POMIVALNO SREDSTVO

**Da odprete prekat za pomivalno sredstvo, uporabite odpiralo.**

**Pomivalno sredstvo dodajte samo v suh prekat D. Količino pomivalnega sredstva za predpomivanje odmerite neposredno v kad.**








1. Pri odmerjanju pomivalnega sredstva glejte prej omenjene podatke, da boste odmerili ustrezno količino. V prekату **D** so označbe za pomoč pri doziranju pomivalnega sredstva.
2. Odstranite ostanke pomivalnega sredstva z robov prekata in zaprite pokrovček tako, da se slišno zaskoči.
3. Zaprite pokrovček prekata za pomivalno sredstvo tako, da ga potiskate navzgor, dokler zapiralo ni na svojem mestu.

Prekat za pomivalno sredstvo se ob pravem času glede na dani program samodejno odpre.

**Uporaba pralnega sredstva, ki ni namenjen strojnemu pomivanju, lahko povzroči nepravilno delovanje ali aparat poškoduje.**

# PROGRAMSKA TABELA

Program	Faza sušenja	Trajanje pomivanja (h:min) <sup>*)</sup>	Poraba vode (litri/pranje)	Poraba energije (kWh/pranje)
1. Eko  50°	✓	3:20	12,0	1,04
2. Intenzivno  65°	✓	2:30	16,0	1,50
3. Mešano  55°	✓	2:25	16,0	1,35
4. Hitro pranje  50°	-	1:00	11,5	1,10
5. Občutljivo  45°	✓	1:30	11,5	1,10

Meritve podatkov za program ECO so bile izvedene v laboratorijskih pogojih v skladu z evropskim standardom EN 60436:2020.

Opozorilo za preizkusne laboratorije: za informacije o pogojih izvajanja primerjalnega preizkusa EN pišite na naslednji elektronski naslov: [dw\\_test\\_support@whirlpool.com](mailto:dw_test_support@whirlpool.com)

Predhodna obdelava posode ni potrebna pri nobenem programu.

\*) Vrednosti, podane za druge programe, razen za program Eco, so samo okvirne. Dejanski čas je odvisen od številnih faktorjev, kot so temperatura in tlak dovodne vode, sobna temperatura, količina pomivalnega sredstva, količina in vrsta posode, uravnotežena porazdelitev posode, dodatne izbrane možnosti in umerjanje senzorja. Umerjanje senzorja lahko program podaljša do 20 min.

## OPISI PROGRAMOV

### Navodila za izbiro programov pomivanja.

#### 1 ECO

Program Eco je primeren za pomivanje običajno umazane posode, saj je za to uporabo najučinkovitejši program z vidika kombinirane porabe energije in vode, poleg tega pa izpolnjuje skladnost z zakonodajo EU o okoljsko primerni zasnovi.

#### 2 INTENZIVNO

Program priporočamo za pomivanje zelo umazane posode. Še posebej primeren je za lonce in ponve (ne uporabljajte ga za občutljivo posodo)

#### 3 MEŠANO

Mešana umazanija. Za običajno umazano posodo z zasušenimi ostanki hrane.

#### 4 HITRO PRANJE

Program za omejeno količino običajno umazane posode. Zagotavlja optimalne rezultate v krajšem času.

#### 5 OBČUTLJIVO

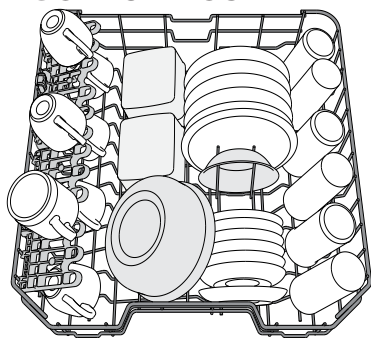
Program za posodo, ki je bolj občutljiva na visoke temperature (npr. kozarci in skodelice).

#### Opombe:

Upoštevajte, da je cikel *Hitro pranje* namenjen pomivanju rahlo umazane posode.

# NALAGANJE KOŠAR

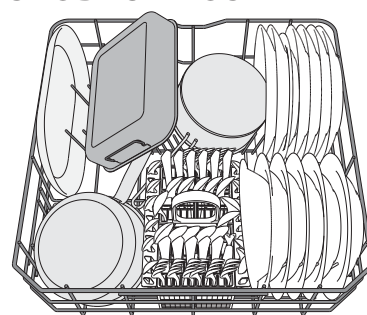
## ZGORNJA KOŠARA



(primer nalaganja posode v zgornjo košaro)

Vanjo naložite občutljivo in lahko posodo: kozarce, skodelice, krožnike in nizke sklede za solato.

## SPODNJA KOŠARA



(primer zlaganja posode v spodnjo košaro)

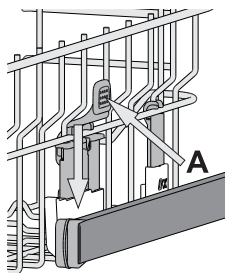
Za lonce, pokrovke, krožnike, solatne sklede, pribor itd. Najboljše je, da večje krožnike in pokrovke naložite na strani, da tako ne ovirajo pršilne roke.

## NASTAVITEV VIŠINE ZGORNJE KOŠARE

Višino zgornje košare je mogoče nastaviti: zgornji položaj omogoča zlaganje večje posode v spodnjo košaro, s spodnjim položajem pa lahko bolje izkoristite postavljalna držala. S pomikom košare ustvarite več prostora in preprečite trk s posodo, ki je naložena v spodnjo košaro.

Zgornja košara je opremljena z regulatorjem višine (glejte sliko). Brez pritiska na ročice jo dvignete tako, da jo preprosto držite na obeh straneh in jo dvigate, dokler ni stabilno nameščena v zgornjem položaju.

Da košaro znižate v spodnji položaj pritisnite na ročici **A** na straneh košare in jo pomaknite navzdol.



**Močno odsvetujemo nastavljanje višine košare, ko je ta polna.**

**Košare NIKDAR ne dvigajte ali spuščajte samo na eni strani.**

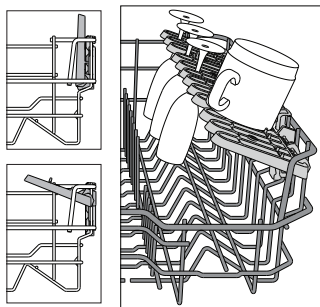
## ZLOŽLJIVA POLIČKA Z NASTAVLJIVIM POLOŽAJEM

Stranske zložljive policičke je mogoče sklopiti ali razklopiti, da lahko tako posodo kar najbolj razporedite po zgornji košari.

Kozarce za vino lahko z zložljivo policičko zavarujete tako, da njihove peclje vstavite v ustrezne zareze.

Glede na model pomivalnega stroja:

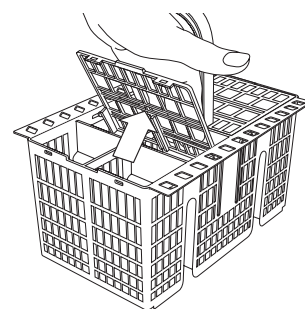
- če želite razklopiti policičko, jo povlecite navzgor in jo obrnite ali sprostite iz zapahov ter jo povlecite navzdol.
- če želite sklopiti policičko, jo obrnite, povlecite navzdol ali jo povlecite navzgor in namestite v zapaha.



## KOŠARICA ZA PRIBOR

Na zgornji strani košarice je mreža, ki omogoča še boljše razporeditev pribora. Košarico za pribor lahko vstavite le v sprednji del spodnje košare.

**Nože in druge ostre pripomočke v košarico za pribor vstavite s konico navzdol. Prav tako jih lahko v vodoravnem položaju naložite v območje s postavljaljivimi držali zgornje košare.**



# VSAKODNEVNA UPORABA

## 1. PREVERJANJE PRIKLOPA VODE

Preverite, ali je pomivalni stroj priključen na dovod vode in ali je vodovodna pipa odprta.

## 2. VKLOP POMIVALNEGA STROJA

Odprite vrata in pritisnite tipko za **VKLOP/IZKLOP**.

## 3. NALAGANJE POSODE V KOŠARE *(glej NALAGANJE KOŠAR)*

## 4. POLNENJE PREKATA ZA POMIVALNO SREDSTVO

## 5. IZBIRA PROGRAMA IN NASTAVITEV MOŽNOSTI

Izberite najprimernejši program glede na vrsto posode in stopnjo umazanosti *(glejte OPIS PROGRAMOV)* tako, da pritisnete tipko **P**. Izberite zeleno možnost *(glejte MOŽNOSTI IN FUNKCIJE)*.

## 6. ZAGON

Pomivanje zaženite tako, da pritisnete na tipko za **ZAGON/PREMOR**, (LED-lučka zasveti) in v 4 sekundah zaprete vrata. Ob začetku programa se oglasi zvočni signal. Če v 4 sekundah ne zaprete vrat, se oglasi zvočno opozorilo. V tem primeru odprite vrata, pritisnite tipko za **ZAGON/PREMOR**, nato pa vrata v 4 sekundah znova zaprite.

## 7. KONEC POMIVANJA

Ob koncu programa pomivanja se oglasi zvočni signal in utripanje lučke izbranega programa. Odprite vrata in s pritiskom na tipko za **VKLOP/IZKLOP** izklopite aparat.

Preden izvzamete posodo počakajte nekaj minut, da se ne opečete. Izpraznite košare, pri čemer začnite s spodnjo.

**Aparat se med daljšimi obdobji neaktivnosti samodejno izklopi, da tako varčuje z energijo. Če je posoda le rahlo umazana ali če ste jo pred vstavljanjem v aparat sprali z vodo, ustrezno zmanjšajte količino uporabljenega pomivalnega sredstva.**

## SPREMINJANJE PROGRAMA V TEKU

Če ste izbrali napačen program, ga lahko spremenite pod pogojem, da se je program pravkar zagnal: odprite vrata, držite tipko za **VKLOP/IZKLOP** in tako izklopite aparat.

Aparat ponovno vklopite s tipko za **VKLOP/IZKLOP** in izberite nov program pomivanja ter zelene možnosti; pomivalni cikel zaženite tako, da pritisnete tipko za **ZAGON/PREMOR** in v 4 sekundah zaprete vrata.

## DODAJANJE POSODE

Brez izklopa aparata odprite vrata (LED-dioda za **ZAGON/PREMOR** začne utripati) **(pazite na VROČO paro!)** in vstavite posodo v pomivalni stroj. Pritisnite tipko za **ZAGON/PREMOR** in v 4 sekundah zaprite vrata. Program se nadaljuje od točke prekinitve.

## NENAMERNE PREKINITVE

Če med pomivanjem odprete vrata ali če pride do izpada električne energije, se program zaustavi. Če želite, da se program nadaljuje od točke prekinitve, pritisnite tipko za **ZAGON/PREMOR** in v 4 sekundah zaprite vrata.

# NASVETI IN NAMIGI

## NASVETI

Preden posodo naložite v košare, iz nje odstranite vse ostanke hrane, kozarce pa izpraznite. **Posode vam pred pomivanjem ni treba izprati pod tekočo vodo.**

Posodo naložite tako, da je trdno nameščena in se ne prevrne; posode naložite z odprtim delom navzdol, konkavne/konveksne kose pa poševno, da tako omogočite prost pretok vode za pomivanje vseh površin.

**Pozor:** pokrovi, ročaji, pladnji in ponve ne smejo ovirati vrtenja pršilnih rok.

V košarico za pribor lahko naložite katere koli manjše kose.

Zelo umazane lonce in ponve položite v spodnjo košaro, saj so curki vode v tem delu močnejši, kar izboljša rezultat pomivanja.

Ko v aparat zložite posodo, se prepričajte, da se pršilne roke neovirano vrtijo.

## NEUSTREZNA POSODA

- Lesena posoda in pribor.
- Občutljivi okrašeni kozarci, umetniška ročna dela in starinski pribor. Okras na teh predmetih ni dovolj obstojen.
- Predmeti iz sintetičnih materialov, ki niso odporni na visoke temperature.
- Bakrena in pločevinasta posoda.
- Posoda, umazana od pepela, voska, maziv ali črnila.

Barva steklenih okraskov in aluminijastih/srebrnih predmetov se lahko med pomivanjem spremeni in zbledi. Nekatere vrste stekla (npr. predmeti iz kristala) lahko po nekaj pomivanjih postanejo motne.

## POŠKODBE KOZARCEV IN POSODE

- Pomivajte le kozarce in porcelan, za katere proizvajalec jamči, da jih lahko pomivate v pomivalnem stroju.
- Uporabite blago pomivalno sredstvo, ki je primerno za posodo.
- Kozarce in posodo iz pomivalnega stroja vzemite takoj po koncu programa.

## NAMIGI ZA VARČEVANJE Z ENERGIJO

- Kadar gospodinjski pomivalni stroj uporabljate v skladu z navodili proizvajalca, **pomivanje posode v pomivalnem stroju običajno porabi manj ENERGIJE in vode kot ročno pomivanje posode.**
- Za povečanje učinkovitosti pomivalnega stroja priporočamo, da **pomivalni cikel zaženete, ko je pomivalni stroj popolnoma napolnjen.** Nalaganje gospodinjskega pomivalnega stroja do zmogljivosti, ki jo je navedel proizvajalec, pripomore k prihranku energije in vode. Informacije o pravilnem nalaganju posode najdete v poglavju NALAGANJE KOŠAR. V primeru polovičnega polnjenja priporočamo, da uporabite ustrezne možnosti pomivanja, če so na voljo (polovično polnjenje/Zone Wash/ Multizone), in naložite le izbrane košare. Nepravilno polnjenje ali preobremenitev pomivalnega stroja lahko poveča porabo virov (kot so voda, energija in čas, kot tudi raven hrupa), kar zmanjša učinkovitost pomivanja in sušenja.
- Ročno predpomivanje posode pomeni večjo porabo vode in energije in se zato ne priporoča.

## HIGIENA

Da preprečite nastanek neprijetnih vonjav ali nabiranje oblog v pomivalnem stroju, **vsaj enkrat na mesec zaženite program z visoko temperaturo.** Uporabite eno žličko pomivalnega sredstva in program zaženite brez posode, da tako očistite pomivalni stroj.



# SERVIS IN VZDRŽEVANJE

## ČIŠČENJE FILTRIRNEGA SKLOPA

Filtrirni sklop redno čistite, da se filtri ne zamašijo in da odpadna voda pravilno odteka.

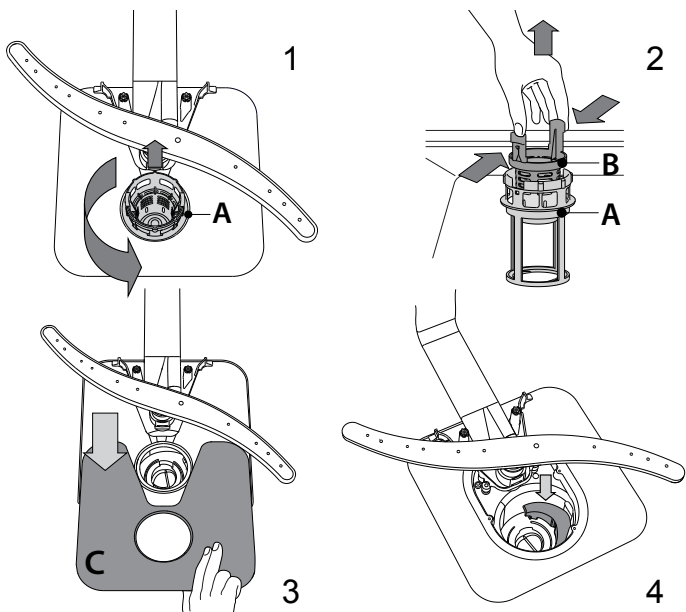
Uporaba pomivalnega stroja z zamašenimi filtri ali tujki znotraj filtracijskega sistema ali pršilnih rok lahko povzroči okvaro aparata, kar se kaže v izgubi učinkovitosti, hrupnem delovanju ali višjo porabo virov.

Filtrirni sklop je sestavljen iz treh filtrov, ki iz pomivalne vode odstranjujejo ostanke hrane in vodo ponovno usmerijo v aparat: za doseg najboljših rezultatov pri pomivanju morajo biti filtri čisti.

**Pomivalnega stroja ni dovoljeno uporabljati brez filtrov ali z nepripravljenimi filtri.**

Vsaj enkrat na mesec ali po vsakih 30 ciklih preverite sklop filtra in ga po potrebi temeljito očistite pod tekočo vodo in z nekovinsko krtačo, pri čemer upoštevajte spodnja navodila:

1. Cilindrični filter **A** zavrtite v nasprotni smeri urnega kazalca in ga izvlecite (Slika 1).
2. Odstranite mrežico filtra **B** tako, da nekoliko stisnete stranska jezička (Slika 2).
3. Izvlecite ploščo iz nerjavnega jekla za filter **C** (Slika 3).
4. V primeru, da najdete tujke (kot so razbito steklo, porcelan, kosti, sadna semena itd.), jih **previdno odstranite**.
5. Preglejte mrežico in iz nje odstranite ostanke hrane. **NIKOLI NE ODSTRANITE** zaščitne črpalke pri pomivanju (na sliki je počrnjena) (Slika 4).



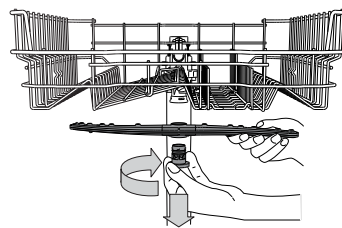
Ko ste očistili filtre, filtrirni sklop znova sestavite in ga pritrdite v pravi položaj. Ta postopek je ključnega pomena pri vzdrževanju brezhibnega delovanja pomivalnega stroja.

## ČIŠČENJE DOVODNE CEVI ZA VODO

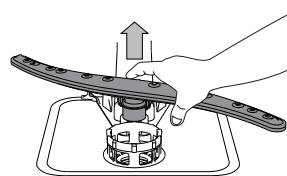
Če so vodovodne cevi nove ali pa jih dalj časa niste uporabljali, naj pred priključitvijo voda najprej nekaj časa teče. Tako se boste lahko prepričali, da je čista in da v njej ni nečistoč. Če tega ne storite, se lahko dovod vode zamaši, kar pripelje do poškodb pomivalnega stroja.

## ČIŠČENJE PRŠILNIH ROK

Občasno se lahko na pršilnih rokah naberejo ostanke hrane in zamašijo luknjice, iz katerih brizga voda. Zato priporočamo, da roke od časa do časa preverite in jih očistite z majhno nekovinsko krtačko.



Da odstranite zgornjo pršilno roko, zavrtite plastični pritrdilni obroč v smeri urnega kazalca. Zgornjo pršilno roko znova namestite tako, da je stran z več luknjicami obrnjena navzgor.



Spodnjo pršilno roko odstranite tako, da jo potegnete navzgor.

## SISTEM ZA MEHČANJE VODE

Sistem za mehčanje vode samodejno zmanjša trdoto vode, kar preprečuje kopičenje oblog na grelniku in prispeva k večji učinkovitosti pomivanja.

**Ta sistem se obnovi z regeneracijsko soljo, zato morate poskrbeti, da je posoda za sol napolnjena.**



Pogostost regeneracije je odvisna od nastavitve stopnje trdote vode – regeneracija poteka enkrat na 5 Eko ciklov, pri čemer je stopnja trdote vode nastavljena na 3.

Postopek regeneracije se začne s končnim izpiranjem in konča s fazo sušenja, preden se cikel konča.

- Posamezna regeneracija porabi: ~3,5 l vode;
- Cikel traja do 5 minut dlje;
- Porabi manj kot 0,005 kWh električne energije.

# ODPRAVLJANJE TEŽAV

V primeru, da vaš pomivalni stroj ne deluje pravilno, preverite, ali lahko težavo odpravite s spodnjimi nasveti. Za druge napake ali težave se obrnite na pooblaščen servisno službo. Kontaktnne podatke najdete v garancijski knjižici. Nadomestni deli bodo na voljo za obdobje do 7 ali do 10 let, v skladu s posebnimi zahtevami uredbe.

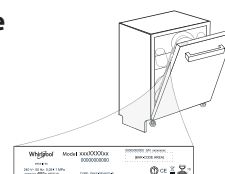
TEŽAVE	MOREBITNI VZROKI	REŠITVE
 Indikator soli sveti	Posoda za sol je prazna. (Ko sol dodate, lahko indikator soli sveti še več pomivalnih ciklov).	Napolnite posodo s soljo (za več informacij glejte stran 2). Prilagodite trdoto vode - glejte tabelo, stran 2.
 Indikator tekočine za lesk sveti	Posoda za tekočino za lesk je prazna. (Ko tekočino za lesk dodate, lahko indikator tekočine za lesk sveti še več pomivalnih ciklov).	Napolnite posodo s tekočino za lesk (za več informacij glejte stran 2).
Pomivalni stroj se ne zažene oz. se ne odziva na ukaze.	Aparat ni ustrezno priključen na električno omrežje.	Vtaknite vtič v vtičnico.
	Izpad električne energije	Iz varnostnih razlogov se pomivalni stroj ne bo samodejno ponovno zagnal, ko je napajanje znova vzpostavljeno. Odprite vrata pomivalnega stroja, pritisnite tipko ZAGON/Premor in v 4 sekundah zaprite vrata.
	Vrata pomivalnega stroja niso zaprta.	Na vrata močneje pritisnite, da zaslišite „klik“.
	Cikel se prekine, če so vrata odprta za več kot 4 sekunde.	Pritisnite ZAGON/Premor in zaprite vrata v 4 sekundah.
Voda ne odteka iz pomivalnega stroja.	Aparat se ne odziva na ukaze.	Izklopite aparat s pritiskom na tipko za VKLOP/IZKLOP, ga po približno eni minuti znova vklopite in znova zaženite program. Če težava ni odpravljena, aparat izklopite za 1 minuto in ga znova priključite.
	Pomivanje se še ni zaključilo.	Počakajte, da se pomivanje zaključi.
	Odtočna cev je upognjena.	Preverite, da odtočna cev ni upognjena (glejte NAVODILA ZA NASTAVITEV).
	Odtočna cev v koritu je zamašena.	Očistite odtočno cev v koritu.
Iz pomivalnega stroja se slišijo glasni zvoki.	Ostanki hrane so zamašili filter.	Očistite filter (glejte ČIŠČENJE FILTRIRNEGA SKLOPA).
	Posode se dotikajo ena druge in povzročajo zvoke.	Pravilno naložite posodo (glejte NALAGANJE KOŠAR).
Posoda ni čista.	Nastaja prekomerna količina pene.	Pomivalnega sredstva niste pravilno odmerili ali pa pomivalno sredstvo ni primerno za strojno pomivanje posode (glejte POLNJENJE PREKATA ZA POMIVALNO SREDSTVO). Znova zaženite trenutni program, tako da izklopite pomivalni stroj, ga spet vklopite, izberete nov program, pritisnete tipko ZAGON/Premor in zaprete vrata v roku 4 sekund. Ne dodajajte pomivalnega sredstva.
	Posode niste pravilno razporedili.	Pravilno naložite posodo (glejte NALAGANJE KOŠAR).
	Pršilne roke se ne morejo prosto vrteti, saj jih ovira posoda.	Pravilno naložite posodo (glejte NALAGANJE KOŠAR).
	Program pomivanja ni dovolj močan.	Izberite primeren program pomivanja (glejte PROGRAMSKO TABELO).
	Nastaja prekomerna količina pene.	Pomivalnega sredstva niste pravilno odmerili ali pa pomivalno sredstvo ni primerno za strojno pomivanje posode (glejte POLNJENJE PREKATA ZA POMIVALNO SREDSTVO).
	Pokrovček posode za tekočino za lesk ni ustrezno zaprt.	Zaprite pokrovček posode za tekočino za lesk.
V pomivalni stroj ne doteka voda.	Umazan ali zamašen filter	Očistite filtrirni sklop (glejte NEGA IN VZDRŽEVANJE).
	V aparatu ni soli.	Napolnite posodo s soljo (glejte POLNJENJE POSODE ZA SOL).
	Prazen dovod vode ali zaprta vodovodna pipa.	Prepričajte se, da v aparat doteka voda in da je vodovodna pipa odprta.
Vse LED-lučki hitro utripata	Dovodna cev je upognjena.	Prepričajte se, da dovodna cev ni upognjena (glejte NAMESTITEV) ponastavite program pomivanja in stroj znova zaženite.
	Cedilo dovodne cevi za vodo je zamašeno; Očistite ga	Ko ste preverili in očistili cedilo, pomivalni stroj izklopite in vklopite ter zaženite nov program.
Pomivalni stroj predčasno zaključí cikel.	Odtočna cev je postavljena prenizko ali odliva se v domači kanalizacijski sistem.	Preverite, če je konec odtočne cevi nameščen na ustrezni višini (glejte NAMESTITEV). Preverite odlivanje v domači kanalizacijski sistem in po potrebi namestite ventil za vstop zraka.
	Zrak v dovodu vode	Preverite dovod vode ali druge težave, ki povzročajo puščanje zraka v notranjost.



**Pravila uporabe, standardna dokumentacija, naročanje nadomestnih delov in dodatne informacije o izdelkih so na voljo:**

- Z obiskom naših spletnih strani [docs.hotpoint.eu](https://docs.hotpoint.eu) in [parts-selfservice.whirlpool.com](https://parts-selfservice.whirlpool.com)
- Uporabite kodo QR
- **Obrnete se lahko tudi na našo servisno službo** (telefonske številke so navedene v servisni knjižici). Ko stopite v stik z našo servisno službo, navedite kodo, ki so zapisane na identifikacijski ploščici izdelka.

Podatke o modelu je mogoče pridobiti s kodo QR na energijski nalepki. Na nalepki je prav tako identifikator modela, ki ga lahko uporabite za preverjanje podatkov na portalu za registracijo <https://eprel.ec.europa.eu>.



---

**400011645847B**

07/2023 dk - Xerox Fabriano



# UPUTSTVO ZA SVAKODNEVNU UPOTREBU



**HVALA ŠTO STE KUPILI PROIZVOD KOMPANIJE HOTPOINT ARISTON.** Kako biste dobili kompletniju podršku, molimo da registrujete Vaš uređaj na: [www.hotpoint.eu/register](http://www.hotpoint.eu/register)

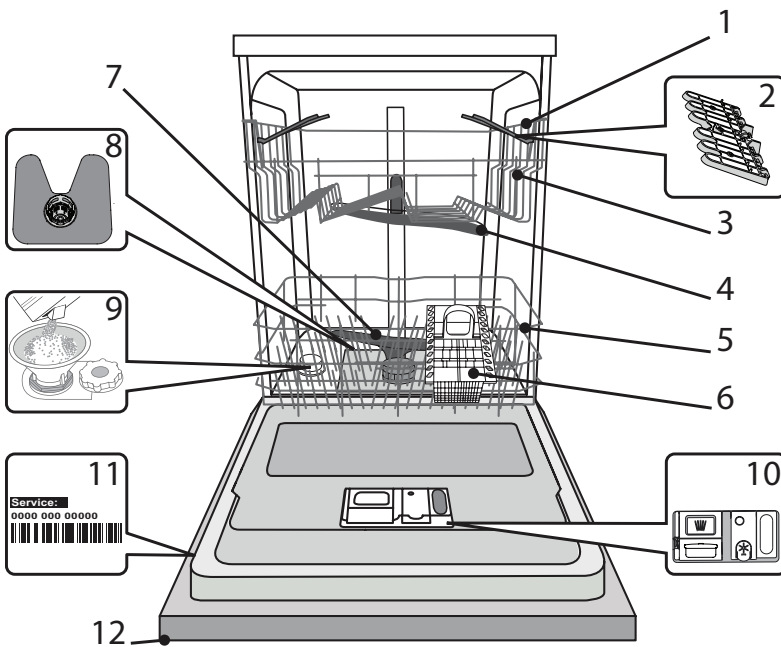


Bezbednosna Uputstva i Korisničko Uputstvo, možete preuzeti na našoj veb stranici [docs.hotpoint.eu](http://docs.hotpoint.eu) i tako što ćete slediti uputstva na poledini ove brošure.

**Pre korišćenja uređaja pažljivo pročitate Bezbednosna Uputstva.**

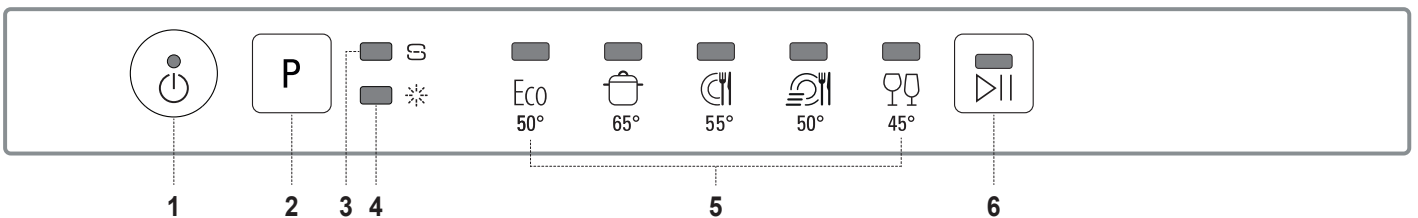
## OPIS PROIZVODA

### UREĐAJ



1. Gornja korpa
2. Sklopiva krilca
3. Podešivač visine gornje korpe
4. Gornja prskalica
5. Donja korpa
6. Korpa za pribor za jelo
7. Donja prskalica
8. Sklop filtera
9. Rezervoar za so
10. Posude za deterdžent i sredstvo za ispiranje
11. Natpisna pločica
12. Kontrolna tabla

### KONTROLNA TABLA



1. Dugme za uključi-isključi /ponovno podešavanje sa svetlosnim indikatorom
2. Dugme za izbor programa
3. Svetlosni indikator za dopunu soli
4. Svetlosni indikator za sredstvo za ispiranje
5. Svetlosni indikatori za program
6. Dugme za POČETAK/Pauzu sa svetlosnim indikatorom

# PRVA UPOTREBA

## SO, SREDSTVO ZA ISPIRANJE I DETERDŽENT

### SAVETI U VEZI SA PRVOM UPOTREBOM

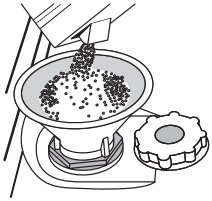
Nakon ugradnje, uklonite zapašaće sa korpi i elastične elemente za za- državanje sa gornje korpe.

### PUNJENJE REZERVOARA ZA SO

Upotreba soli sprečava stvaranje KAMENCA na posudu i na funkcionalnim komponentama mašine.

- Obavezno je **DA REZERVOAR ZA SO NIKADA NE BUDE PRAZAN.**
- Važno je podesiti tvrdoću vode.

Rezervoar za so se nalazi u donjem delu mašine za pranje sudova (videti OPIS PROIZVODA) i mora se puniti kada se uključi **INDIKATORSKO SVETLO DOPUNA SOLI** na kontrolnoj tabli.



1. Uklonite donju korpu i odvrnite poklopac rezervoara (u smeru suprotnom od smera kretanja kazaljki na satu).
2. **Samo prvi put kada ovo radite: napunite rezervoar za so vodom.**
3. Postavite levak (vidite sliku) i napunite rezervoar za so do ivice (oko 1 kg); nije neuobičajeno da malo vode iscuri.
4. Uklonite levak i obrišite ostatke soli sa otvora.

Vodite računa da poklopac bude čvrsto zavijen, tako da deterdžent ne može da uđe u posudu tokom programa pranja (to može da ošteti omekšivač za vodu tako da se ne može popraviti).

**Kad god je potrebno da dodate so, obavezno je da obavite proceduru pre početka ciklusa pranja da bi se izbegla korozija.**

### PODEŠAVANJE TVRDOĆE VODE

Da bi omekšivač za vodu radio kako treba, neophodno je da tvrdoća vode bude podešena na osnovu stvarne tvrdoće vode u vašoj kući. Ove informacije možete dobiti od lokalnog snabdevača vodom. Vo výrobe je nastavená štandardná hodnota tvrdosti vody.

- Uključite uređaj pritiskom na dugme **UKLJUČI/ISKLJUČI**.
- Isključite uređaj pritiskom na dugme **UKLJUČI/ISKLJUČI**.
- Zadržite dugme **P** 5 sekundi, dok se ne začuje zvučni signal.
- Uključite uređaj pritiskom na dugme **UKLJUČI/ISKLJUČI**.
- Svetlosni indikator programa trenutno podešenog nivoa treperi.
- Pritisnite taster **P** za izbor željene tvrdoće vode (videti **TABELU TVRDOĆE VODE**).

Tabela tvrdoće vode				
Nivo		°dH nemački stepeni	°fH francuski stepeni	°Clark engleski stepeni
1	Meka	0 - 6	0 - 10	0 - 7
2	Srednja	7 - 11	11 - 20	8 - 14
3	Prosečna	12 - 16	21 - 29	15 - 20
4	Tvrda	17 - 34	30 - 60	21 - 42
5	Veoma tvrda	35 - 50	61 - 90	43 - 62

- Isključite uređaj pritiskom na dugme **UKLJUČI/ISKLJUČI**

Podešavanje je završeno!

Čim se ovaj postupak završi, pokrenite program bez punjenja.

**Koristite samo so koja je posebno napravljena za mašine za pranje sudova.**

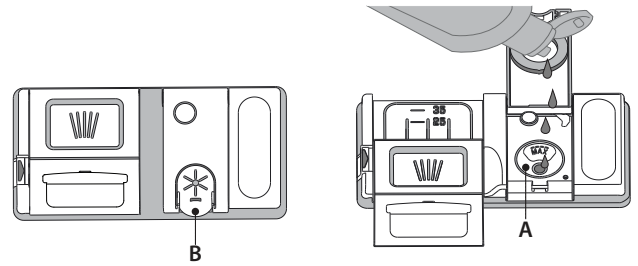
Nakon što sipate so u mašinu, svetlosni indikator za DOPUNA SOLI se isključuje.

**Ako rezervoar za so nije pun, može doći do oštećenja omekšivača vode i grejača usled nagomilavanja kamenca.**

**Korišćenje soli se preporučuje sa bilo kojom vrstom deterdženta za mašinu za pranje sudova.**

### PUNJENJE POSUDA ZA SREDSTVO ZA ISPIRANJE

Sredstvo za ispiranje olakšava SUŠENJE posuda. Posuda za sredstvo za ispiranje **A** treba da se napuni kada se upali **svetlosni indikator DOPUNA SREDSTVA ZA ISPIRANJE** na kontrolnoj tabli.



1. Otvorite posudu **B** tako što ćete pritisnuti i povući na gore jezičak na poklopcu.
2. Pažljivo sipajte sredstvo za ispiranje do oznake za maksimum (110 ml) na prostoru za punjenje - izbegavajte prosipanje. Ako se to dogodi, odmah obrišite prosuto suvom krpom.
3. Pritisnite poklopac dok se ne začuje zvuk škljocanja.

**NIKADA ne sipajte sredstvo za ispiranje direktno u kadicu.**

### PODEŠAVANJE DOZIRANJA SREDSTVA ZA ISPIRANJE

Ako niste u potpunosti zadovoljni rezultatima sušenja, možete da podesite količinu sredstva za ispiranje koja se koristi.

- Uključite mašinu za pranje sudova pomoću dugmeta **UKLJUČI/ISKLJUČI**.
- Isključite je pomoću dugmeta **UKLJUČI/ISKLJUČI**.
- Pritisnite dugme **P** tri puta - začuje se zvučni signal.
- Uključite je pomoću dugmeta **UKLJUČI/ISKLJUČI**.
- Svetlosni indikator programa trenutno podešenog nivoa treperi.
- Pritisnite dugme **P** da biste izabrali nivo količine sredstva za ispiranje koje će se koristiti.
- Isključite pomoću dugmeta **UKLJUČI/ISKLJUČI**.

Podešavanje je završeno!

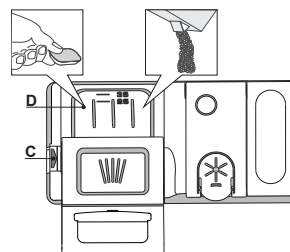
Ako je nivo sredstva za ispiranje podešen na 1 (EKO), sredstvo za ispiranje se neće koristiti.

Mogu se podesiti maksimalno 5 nivoa u zavisnosti od modela mašine za pranje sudova. Fabričko podešavanje zavisi od modela, sledite gorenavedena uputstva da biste proverili za svoju mašinu.

- Ako vidite plavičaste tragove na posudu, podesite nizak broj (2-3).
- Ako na posudu ima kapljica vode ili tragova kamenca, podesite visok broj (4-5).

### PUNJENJE POSUDE ZA DETERDŽENT

**Za otvaranje posude za deterdžent koristite uređaj za otvaranje C. Deterdžent sipajte samo u suhu posudu D. Deterdžent za prepranje sipajte direktno u kadicu.**








1. Za odmeravanje deterdženta pogledajte prethodno pomenute informacije kako biste sipali odgovarajuću količinu. U posudi **D** nalaze se oznake koje vam mogu pomoći u doziranju deterdženta.
2. Uklonite ostatke deterdženta sa ivica posuda pre nego što i zatvorite poklopac dok se ne začuje zvuk škljocanja.
3. Zatvorite poklopac posude za deterdžent povlačenjem na gore dok uređaj za zatvaranje ne bude čvrsto na mestu.

Posuda za deterdžent se automatski otvara u odgovarajućem trenutku u skladu sa programom.

**Korišćenje deterdžente koji nije namenjen za mašine za pranje sudova može da izazove kvar ili oštećenje uređaja.**



# TABELA SA PROGRAMIMA

Program	Faza sušenja	Trajanje programa za pranje (h:min) <sup>*)</sup>	Potrošnja vode (litri/ciklus)	Potrošnja energije (kWh/ciklus)
1. Eko  50°	✓	3:20	12,0	1,04
2. Intenzivan  65°	✓	2:30	16,0	1,50
3. Mešano  55°	✓	2:25	16,0	1,35
4. Brzo pranje  50°	-	1:00	11,5	1,10
5. Osetljivo  45°	✓	1:30	11,5	1,10

Podaci programa EKO su mereni u laboratorijskim uslovima u skladu sa evropskim standardom EN 60436:2020.

Napomena za laboratorije za testiranje: za informacije na uslove komparativnog ispitivanja EN, pogledajte adresu: [dw\\_test\\_support@whirlpool.com](mailto:dw_test_support@whirlpool.com)

Prethodno tretiranje posuđa nije potrebno ni za jedan program.

\*) Vrednosti koje su date za programe koji nisu Eko program su samo pokazne. Stvarno vreme može da varira u zavisnosti od mnogih faktora kao što su temperatura, količina deterdženta, količina i vrsta posuđa, balansiranje posuđa, dodatne izabrane opcije i kalibracija senzora. Kalibracija senzora može da poveća trajanje programa do 20 min.

## OPIS PROGRAMA

### Uputstva za biranje ciklusa pranja.

#### 1 EKO

Eko program je podesan za pranje umereno zaprljanog posuđa, i u tu svrhu je ovo najefikasniji program u pogledu kombinovane potrošnje energije i vode i da se koristi za procenu usklađenosti sa propisima EU za ekološki dizajn.

#### 2 INTENZIVAN

Program preporučen za jako zaprljano posuđe, naročito za tiganje i šerpe (ne koristiti za osetljivo posuđe).

#### 3 MEŠANO

Različito uprljano posuđe. Za normalno zaprljano posuđe sa sasušanim ostacima hrane.

#### 4 BRZO PRANJE

Program za ograničenu količinu normalno uprljanog posuđa. Obezbeđuje optimalne performanse čišćenja za kratko vreme.

#### 5 OSETLJIVO

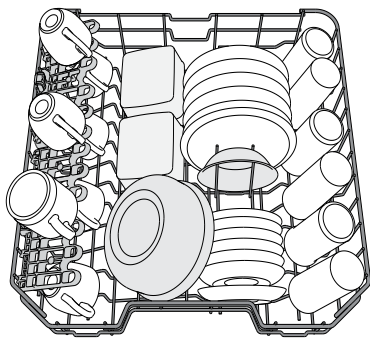
Program za osetljivo posuđe, koje je osetljivije na visoke temperature, na primer čaše i šolje.

#### Napomene:

Imajte u vidu da je ciklus *Brzo pranje* namenjen za blago zaprljano posuđe.

# PUNJENJE KORPI

## GORNJA KORPA

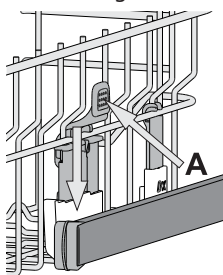


(primer punjenja gornje korpe)

Stavite osetljivo i lako posuđe: čaše, šolje, tacne, plitke posude za salatu.

### PODEŠAVANJE VISINE GORNJE KORPE

Visina gornje korpe se može podesiti: visoki položaj za postavljanje velikog posuđa u donju korpu i nizak položaj za maksimalno korišćenje držača koji se pomeraju, tako što se stvara više prostora na gore i izbegava sudaranje sa sudovima iz donje korpe. Gornja korpa ima **Podešivač visine gornje korpe** (vidite sliku), bez pritiskanja ručica, jednostavno podignite držeći korpu sa strane, čim se korpa stabilno namesti u viši položaj. Da biste vratili na niži položaj, pritisnite ručice **A** koje se nalaze na stranama korpe i pomerite korpu na dole.



**Preporučujemo da ne podešavate visinu korpe kada je napunjena.**

**NIKADA ne podižite niti spuštajte samo jednu stranu korpe.**

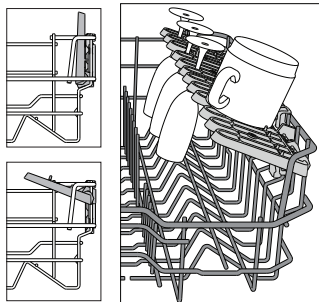
### SKLOPIVA KRILCA SA PODESIVIM POLOŽAJEM

Sklopiva krilca možete da sklopite ili rasklopite i tako pronađete najbolji raspored posuđa na rešetki.

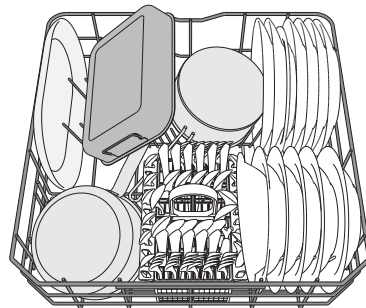
Čaše za vino se bezbedno mogu staviti u sklopiva krilca tako što se stopa svake čaše stavi u odgovarajući otvor.

Zavisno od modela:

- da biste rasklopili krilca, treba da ih gurnete nagore i okrenete ili da ih odvojite od držača i spustite nadole.
- da biste sklopili krilca, treba da ih okrenete i gurnete nadole ili nagore, pa ih zakačite za držače.



## DONJA KORPA



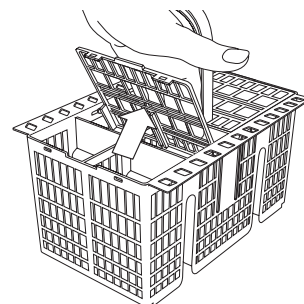
(primer punjenja donje korpe)

Za šerpe, poklopce, tanjire, posude za salatu, pribor itd. Velike tanjire i poklopce treba stavljati sa strane, kako bi se izbeglo dodirivanje prskalice.

### KORPA ZA PRIBOR

Ima rešetke pri vrhu za bolje postavljanje pribora. Mora se postaviti samo u prednjem delu donje korpe.

**Noževi i drugi pribor oštih ivica se mora ostaviti u korpu za pribor sa vrhovima okrenutim na dole ili se staviti u horizontalan položaj u odeljak koji se pomera u gornjoj korpi.**



# SVAKODNEVNA UPOTREBA

## 1. PROVERITE PRIKLJUČAK NA VODOVODNU MREŽU

Proverite da li je mašina za pranje sudova povezana na dovod vode i da li je slavina otvorena.

## 2. UKLJUČITE MAŠINU ZA PRANJE SUDOVA

Otvorite vrata i pritisnite dugme **UKLJUČI/ISKLJUČI**.

## 3. NAPUNITE KORPE

(videti **PUNJENJE KORPI**)

## 4. PUNJENJE POSUDE ZA DETERDŽENT

## 5. IZABERITE PROGRAM I PRILAGODITE CIKLUS

Izaberite najprikladniji program u skladu sa vrstom posuđa i nivoom zaprljanosti (videti **OPIS PROGRAMA**) pritiskom na dugme **P**. Izaberite željene opcije (videti **OPCIJE I FUNKCIJE**).

## 6. POČETAK

Započnite ciklus pranja pritiskom na dugme **POČETAK/PAUZU** (led svetlo je uključeno) i zatvaranjem vrata u roku od 4 sekunde. Kada program počne, čujete jedan zvučni signal. Ukoliko se vrata ne zatvore u roku od 4 sekunde, oglašava se alarm. U tom slučaju, otvorite vrata, pritisnite dugme **POČETAK/PAUZU** i ponovo zatvorite vrata u roku od 4 sekunde.

## 7. ZAVRŠETAK CIKLUSA PRANJA

Konec pranja označuje pisk in utripanje lučke izbranega programa. Otvorite vrata i isključite uređaj pritiskom na dugme **UKLJUČI/ISKLJUČI**.

Sačekajte nekoliko minuta pre nego što izvadite posuđe - da biste izbegli opekotine. Ispraznite korpe, počevši sa donjom.

Mašina će se automatski isključiti tokom dužih perioda neaktivnosti, kako bi se smanjila potrošnja električne energije.

Ako je posuđe samo blago uprljano ili ako ga isperete vodom pre nego što ga stavite u mašinu za pranje sudova, u skladu s tim smanjite količinu deterdženta koji koristite.

## IZMENA PROGRAMA KOJI JE U TOKU

Ako ste izabrali pogrešan program, možete da ga promenite, pod uslovom da je tek počeo: otvorite vrata, pritisnite i zadržite dugme **UKLJUČI/ISKLJUČI**, mašina će se isključiti.

Ponovo uključite mašinu pomoću dugmeta **UKLJUČI/ISKLJUČI** i izaberite novi ciklus pranja i željene opcije; započnite ciklus pritiskom na dugme **POČETAK/PAUZU** i zatvaranjem vrata u roku od 4 sekunde.

## DODAVANJE DODATNOG POSUĐA

Ne isključujući mašinu, otvorite vrata (led svetlo dugmeta **POČETAK/PAUZU** počinje da treperi) (**pazite se VRELE pare!**) i stavite posuđe u mašinu. Pritisnite dugme **POČETAK/PAUZU** i zatvorite vrata u roku od 4 sekunde, ciklus će se nastaviti od trenutka u kom je zaustavljen.

## SLUČAJNI PREKIDI

Ako su vrata otvorena tokom ciklusa pranja ili ako dođe do prekida napajanja električnom energijom, ciklus se zaustavlja.

Da biste nastavili ciklus tamo gde je prekinut, pritisnite dugme **POČETAK/PAUZU** i zatvorite vrata u roku od 4 sekunde, ciklus će se nastaviti od trenutka u kom je zaustavljen.

# SAVETI I PREDLOZI

## SAVETI

Pre nego što napunite korpe, uklonite sve ostatke hrane sa posuđa i ispraznite čaše. **Nije potrebno da prethodno ispirate vodom.** Posuđe postavite tako da stoji čvrsto na mestu i da ne sklizne; posuđe postavite sa otvorima okrenutim na dole, a udubljene/ispupčene delove postavite koso, kako bi voda mogla da dopre do svih površina i da slobodno teče.

**Upozorenje:** poklopci, ručice, poslužavnici i tiganji ne sprečavaju rotiranje prskalica.

Svo malo posuđe stavite u korpu za pribor.

Veoma zaprljano posuđe i šerpe bi trebalo da stavite u donju korpu, jer su prskalice u ovom delu jače i pružaju bolje performanse pranja.

Nakon što napunite uređaj, vodite računa da prskalice mogu slobodno da se rotiraju.

## NEODGOVARAJUĆE POSUĐE

- Drveno posuđe i pribor.
- Osetljive ukrašene čaše, umetničke rukotvorine i antičko posuđe. Dekoracija na njima nije otporna.
- Delovi od sintetičkog materijala ne podnose visoke temperature.
- Posuđe od bakra i kalaja.
- Posuđe zaprljano pepelom, voskom, mašću za podmazivanje ili mastilom.

Boja dekoracije na staklu i komadima od aluminijuma/srebra može da se promeni i izbledi tokom procesa pranja. Neke vrste stakla (npr. kristalni predmeti) takođe mogu da se zamute nakon određenog broja ciklusa pranja.

## OŠTEĆENJE ČAŠA I POSUĐA

- Koristite samo čaše i porculansko posuđe za koje proizvođač garantuje da je bezbedno za mašinsko pranje.
- Koristite blag deterdžent za posuđe
- Sakupite čaše i posuđe iz mašine za pranje sudova čim se ciklus pranja završi.

## SAVETI ZA UŠTEDU ENERGIJE

- Kada se mašina za pranje sudova za domaćinstvo koristi u skladu sa uputstvima proizvođača, **pranje posuđa u mašini za pranje sudova uglavnom troši MANJE ENERGIJE i vode od ručnog pranja.**
- Da biste povećali efikasnost mašine za pranje sudova, **preporučuje se da ciklus pranja pokrenete kada se mašina za sudove u potpunosti napuni.** Punjenje mašine za pranje sudova za domaćinstvo do kapaciteta koji je naveo proizvođač će doprineti uštedi energije i vode. Informacije o pravilnom slaganju posuđa možete pronaći u poglavlju PUNJENJE KORPI. U slučaju delimične napunjenosti, preporučuje se da koristite odgovarajuće opcije za pranje, ako postoje (Half load/Zone Wash/Multizone (Polupuno/zonsko pranje/više zona)), popunjavajući samo izabrane korpe. Nepravilno punjenje ili prepunjavanje mašine za pranje sudova može da poveća potrošnju resursa (poput vode, energije i vremena, kao i da poveća nivo buke), smanjujući performanse čišćenja i sušenja.
- Ručno predispiranje komada posuđa dovodi do povećane potrošnje vode i energije i nije preporučljivo.

## HIGIJENA

Da bi se izbeglo stvaranje neprijatnih mirisa i naslaga u mašini za pranje sudova, **program sa visokom temperaturom pokrenite najmanje jednom mesečno.** Koristite jednu kafenu kašičicu deterdženta i pokrenite program bez postavljanja posuđa kako biste očistili uređaj.

# NEGA I ODRŽAVANJE

## ČIŠĆENJE SKLOPA FILTERA

Redovno čistite sklop filtera kako se filteri ne bi zapušili i kako bi otpadna voda pravilno oticala.

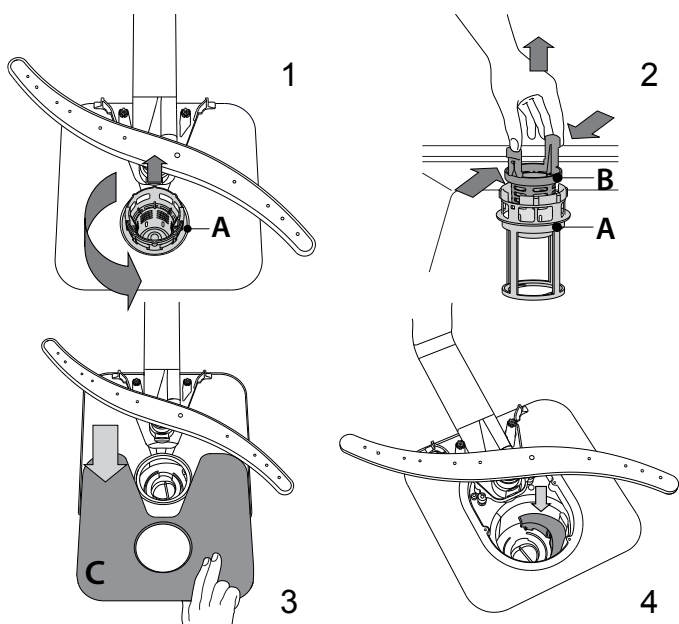
Korišćenje mašine za pranje sudova sa zapušanim filterima ili stranim predmetima unutar sistema za filtriranje ili prskalicama može dovesti do kvara uređaja i time gubitka performansi, glasnog rada ili veće potrošnje resursa.

Sklop filtera se sastoji od tri filtera koji uklanjaju ostatke hrane iz vode za pranje i omogućavaju recirkulaciju vode: kako bi se postigli najbolji rezultati pranja, filtere treba održavati čistim.

**Mašina za pranje sudova se ne sme koristiti bez filtera ili ako je filter labav.**

Barem jednom mesečno ili nakon svakih 30 ciklusa, proverite sklop filtera i ukoliko je potrebno detaljno ga očistite pod mlazom vode, pomoću četke koja nije metalna i sledeći uputstva navedena u nastavku:

1. Okrenite cilindrični filter **A** u smeru suprotnom od smera kretanja kazaljki na satu i izvucite ga (slika 1).
2. Uklonite kupasti filter **B** primenom blagog pritiska na bočna krilca (slika 2).
3. Izvucite pločasti filter od nerđajućeg čelika **C** (slika 3).
4. Ukoliko pronađete strane predmete (kao što je slomljeno staklo, porcelan, kosti, semenke voća itd.) pažljivo ih uklonite.
5. Proverite sklopku i uklonite sve ostatke hrane. **NIKADA NE UKLANJAJTE** zaštitu pumpe za ciklus pranja (crni deo) (slika 4).



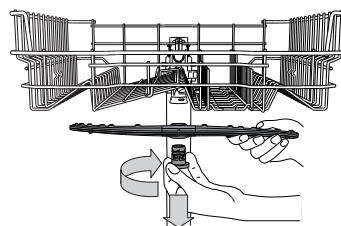
Nakon čišćenja filtera, ponovo postavite sklop filtera i pravilno ih pričvrstite na mesto; ovo je neophodno za efikasan rad mašine za pranje sudova.

## ČIŠĆENJE CREVA ZA DOVOD VODE

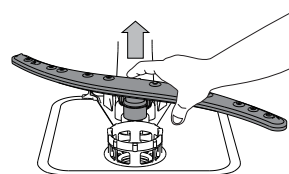
Ako su creva za vodu nova ili neko vreme nisu korišćena, pustite vodu kroz njih da biste bili sigurni da su čista i da bi se očistila od nečistoća pre nego što se povežu. Ako ne obavite ovu meru opreza, dovod vode se može blokirati i oštetiti mašinu za pranje sudova.

## ČIŠĆENJE PRSKALICA

Povremeno, ostaci hrane mogu da se skore na prskalicama i tako blokiraju otvore za prskanje vode. Stoga se preporučuje da povremeno proveravate prskalice i čistite ih malom četkom koja nije od metala.



Da biste uklonili gornju prskalicu, okrenite plastični prsten za zaključavanje u smeru kretanja kazaljki na satu. Gornja prskalica se ponovo postavlja tako da strana sa više otvora bude okrenuta na gore.



Donju prskalicu možete ukloniti tako što ćete je povući na gore.

## SISTEM ZA OMEKŠAVANJE VODE

Omekšivač vode automatski smanjuje tvrdoću vode i time sprečava nakupljanje kamenca na grejaču, čime takođe doprinosi efikasnijem čišćenju.

**Ovaj sistem sam sebe regeneriše pomoću soli, te je stoga obavezno da dopunite rezervoar za so kada je prazan.**



Intervali vykonávania regenerácie závisia od nastavenia tvrdosti vody – regenerácia sa vykonáva raz za 5 Eco cyklov, ak je tvrdosť vody nastavená na 3.

Proces regeneracije počinje sa poslednjim ispiranjem i završava se u fazi sušenja, pre završetka ciklusa.

- Jedna regeneracija troši: ~3,5 l vode;
- Produžava ciklus za još 5 minuta;
- Troši ispod 0,005 kWh energije

# OTKLANJANJE PROBLEMA

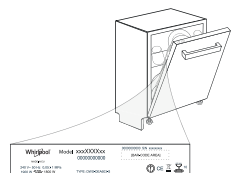
Ukoliko vaša mašina za pranje sudova ne radi pravilno, proverite da li je moguće rešiti problem pomoću sledeće liste. Za ostale greške ili probleme obratite se ovlašćenom postprodajnom servisu čije detalje za kontakt možete pronaći u garantnoj knjižici. Rezervni delovi su dostupni u periodu od 7 do 10 godina, u skladu sa posebnim zahtevima odredbe.

PROBLEMI	MOGUĆI UZROCI	REŠENJA
 Indikator za so je upaljen	Rezervoar za so je prazan. (Nakon dopune, indikator za so može da ostane upaljen još nekoliko ciklusa pranja).	Dopunite rezervoar solju (više informacija potražite na 2. strani). Prilagođavanje tvrdoće vode – pogledajte tabelu na 2. strani.
 Indikator sredstva za ispiranje je upaljen	Rezervoar za sredstvo za ispiranje je prazan. (Nakon dopune, indikator za sredstvo za ispiranje može da ostane upaljen još nekoliko ciklusa pranja).	Dopunite posudu sredstvom za ispiranje (više informacija potražite na 2. strani).
Mašina za pranje sudova neće da se pokrene ili ne reaguje na komande.	Uređaj nije pravilno uključen u strujno napajanje.	Umetnite utikač u utičnicu.
	Nema električne energije.	Iz bezbednosnih razloga, mašina za pranje sudova se neće automatski ponovo pokrenuti kada dođe do povraćaja električne energije. Otvorite vrata mašine za pranje sudova, pritisnite dugme POČETAK/Pauzu i zatvorite vrata u roku od 4 sekunde.
	Vrata mašine za pranje sudova nisu zatvorena.	Snažno gurnite vrata dok se ne začuje zvuk „klikanja“.
	Ciklus je prekinut otvaranjem vrata na > 4 sekunde.	Pritisnite dugme POČETAK/Pauzu i zatvorite vrata u roku od 4 sekunde
Voda ne otiče iz mašine za pranje sudova.	Ne reaguje na komande.	Isključite uređaj pritiskom na dugme UKLJUČI/ISKLJUČI, nakon jednog minuta ga ponovo uključite i ponovo pokrenite program. Ukoliko se problem nastavi, izvucite utikač uređaja na 1 minut, a zatim ga ponovo utaknite.
	Ciklus pranja se još nije završio.	Sačekajte da se ciklus pranja završi.
	Crevo za odvod je savijeno.	Proverite da li je crevo za odvod savijeno (videti UPUTSTVA ZA UGRADNJU).
	Odvodna cev sudopere je blokirana.	Očistite odvodnu cev sudopere.
Mašina za pranje sudova proizvodi neobičajnu buku.	Filter je zapušten ostacima hrane	Očistite filter (videti ČIŠĆENJE SKLOPA FILTERA).
	Sudovi udaraju jedan o drugi.	Pravilno poredajte posuđe (videti PUNJENJE KORPI).
Posuđe nije čisto.	Proizvodi se previše pene.	Deterdžent nije pravilno odmeren ili nije pogodan za korišćenje u mašini za pranje sudova (videti PUNJENJE POSUDE ZA DETERDŽENT). Ponovo pokrenite trenutni ciklus tako što ćete ISKLJUČITI mašinu za pranje posuđa, a zatim je ponovo uključiti, odabrati novi program, pritisnuti dugme POČETAK/Pauzu i zatvoriti vrata u roku od 4 sekunde. Pokrenite nov program bez deterdženta.
	Posuđe nije pravilno postavljeno.	Pravilno poredajte posuđe (videti PUNJENJE KORPI).
	Prskalice ne mogu slobodno da se okreću, jer ih zaustavlja posuđe.	Pravilno poredajte posuđe (videti PUNJENJE KORPI).
	Ciklus pranja je previše blag.	Izaberite odgovarajući ciklus pranja (videti TABELU SA PROGRAMIMA).
	Proizvodi se previše pene.	Deterdžent nije pravilno odmeren ili nije pogodan za korišćenje u mašini za pranje sudova (videti PUNJENJE POSUDE ZA DETERDŽENT).
	Poklopac na odeljku za sredstvo za ispiranje nije pravilno zatvoren.	Vodite računa da poklopac posude za sredstvo za ispiranje bude zatvoren.
	Filter je zaprljan ili zapušten.	Očistite sklop filtera (videti ČUVANJE I ODRŽAVANJE).
Nema soli.	Napunite rezervoar za so (videti PUNJENJE REZERVOARA ZA SO).	
Mašina za pranje sudova ne prima vodu. Svi LED-i brzo trepere	Nema vode u sistemu za dovod vode ili je slavina zatvorena.	Vodite računa da ima vode u sistemu za dovod vode ili da je slavina odvrnuta.
	Crevo za dovod vode je savijeno.	Vodite računa da crevo za dovod ne bude savijeno (videti POSTAVLJANJE), ponovo podesite program i pokrenite mašinu za pranje sudova.
	Sito u crevu za dovod vode je zapušeno; neophodno je očistiti ga	Nakon što obavite proveru i čišćenje, isključite i uključite mašinu za pranje sudova i ponovo pokrenite novi program.
Mašina za pranje sudova prerano završava ciklus.	Crevo za odvod je postavljeno prenisko ili odvod sifona ide u sistem kućne kanalizacije	Proverite da li je kraj creva za odvod postavljen na odgovarajućoj visini (videti POSTAVLJANJE). Proverite da li odvod sifona ide u sistem kućne kanalizacije, po potrebi ugradite ventil za dovod vazduha.
	Vazduh u dovodu vode.	Proverite da li dovod vode curi ili drugi problemi propuštaju vazduh unutra.



**Smernice, standardna dokumentacija, poručivanje rezervnih delova i dodatne informacije o proizvodu se mogu naći putem:**

- Našeg veb-sajta [docs.hotpoint.eu](https://docs.hotpoint.eu) i [parts-selfservice.whirlpool.com](https://parts-selfservice.whirlpool.com)
- Ili pomoću QR koda
- Takođe, možete **kontaktirati naš postprodajni servis** (broj se nalazi u garantnoj knjižici). Prilikom kontaktiranja našeg postprodajnog servisa, navedite šifru koja se nalazi na pločici za identifikaciju proizvoda.



Informacije o modelu se mogu preuzeti pomoću QR koda navedenog na energetske oznaci. Oznaka uključuje i identifikator modela koji može da se upotrebi za proveru registracije na portalu, na adresi <https://eprel.ec.europa.eu>.

# Hotpoint

ARISTON



---

**400011645847B**

07/2023 dk - Xerox Fabriano

