

SAFETY INSTRUCTIONS

IMPORTANT TO BE READ AND OBSERVED

⚠ These instructions are valid if the country symbol appears on the appliance. If the symbol doesn't appear on the appliance, it is necessary to refer to the technical instructions which will provide the necessary instructions concerning modification of the appliance to the conditions of use of the country.

⚠ CAUTION: The use of the gas cooking appliance results in the production of heat, moisture and products of combustion in the room in which it is installed. Ensure that the kitchen is well ventilated especially when the appliance is in use: keep natural ventilation holes open or install a mechanical ventilation device (mechanical extractor hood). Prolonged intensive use of the appliance may call for additional ventilation, such as opening a window, or more effective ventilation, for example increasing the level of mechanical ventilation (if possible).

⚠ Failure to follow the information in this manual exactly may cause a fire or explosion, resulting in property damage or personal injury.

Before using the appliance, read these safety instructions. Keep them nearby for future reference.

These instructions and the appliance itself provide important safety warnings, to be observed at all times. The manufacturer declines any liability for failure to observe these safety instructions, for inappropriate use of the appliance or incorrect setting of controls.

⚠ WARNING: If the hob surface is cracked, don't use the appliance – risk of electrical shock.

⚠ WARNING: Danger of fire: Do not store items on the cooking surfaces.

⚠ CAUTION: The cooking process has to be supervised. A short cooking process has to be supervised continuously.

⚠ WARNING: Unattended cooking on a hob with fat or oil can be dangerous – risk of fire. NEVER try to extinguish a fire with water, but switch off the appliance and then cover flame e.g. with a lid or a fire blanket.

⚠ Do not use the hob as a work surface or support. Keep clothes or other flammable materials away from the appliance, until all the components have cooled down completely – risk of fire.

⚠ Very young children (0-3 years) should be kept away from the appliance. Young children (3-8 years) should be kept away from the appliance unless continuously supervised. Children from 8 years old and above and persons with reduced physical, sensory or mental capabilities or lack of experience and knowledge can use this appliance only if they are supervised or have been given instructions on safe use and understand the hazards involved. Children must not play with the appliance. Cleaning and user maintenance must not be carried out by children without supervision.

⚠ CAUTION: In case of hotplate glass breakage: shut immediately off all burners and any electrical heating element and isolate the appliance from the power

supply; do not touch the appliance surface; do not use the appliance.

The glass lid can break in if it is heated up. Turn off all the burners and the electric plates before closing the lid. Do not shout down lid when burner alight.

⚠ WARNING: The appliance and its accessible parts become hot during use. Care should be taken to avoid touching heating elements. Children less than 8 years of age must be kept away unless continuously supervised.

⚠ The food must not be left in or on the product for more than one hour before or after cooking.

PERMITTED USE

⚠ CAUTION: the appliance is not intended to be operated by means of an external switching device, such as a timer, or separate remote controlled system.

⚠ This appliance is intended to be used in household and similar applications such as: staff kitchen areas in shops, offices and other working environments; farm houses; by clients in hotels, motels, bed & breakfast and other residential environments.

⚠ No other use is permitted (e.g. heating rooms).

⚠ This appliance is not for professional use. Do not use the appliance outdoors.

⚠ Use pots and pans with bottoms the same width as that of the burners or slightly larger (see specific table). Make sure pots on the grates do not protrude beyond the edge of the hob.

⚠ Improper use of the grids can result in damage to the hob: do not position the grids upside down or slide them across the hob.

Do not let the burner flame extend beyond the edge of the pan.

If the hob surface is in glass material, do not use the cast iron griddles, ollar stones, terracotta pots and pans.

Do not use: heat diffusers such as metal mesh, or any other types; two burners simultaneously for one receptacle (e.g. Fish kettle).

Should particular local conditions of the delivered gas make the ignition of burner difficult, it is advisable to repeat the operation with the knob turned to small flame setting.

In case of installation of a hood above the cooktop, please refer to the hood instructions for the correct distance.

The protective rubber feet on the grids represent a choking hazard for young children. After removing the grids, please ensure that all the feet are correctly fitted.

INSTALLATION

⚠ The appliance must be handled and installed by two or more persons - risk of injury. Use protective gloves to unpack and install - risk of cuts.

⚠ The electrical and gas connections must comply with local regulation.

⚠ Installation, including water supply (if any) and electrical connections, and repairs must be carried out by a qualified technician. Do not repair or replace any part of the appliance unless specifically stated in the user manual. Keep children away from the installation site. After unpacking the appliance, make sure that it has not been damaged during transport. In the event of problems, contact the dealer or your nearest After-sales Service. Once installed, packaging waste (plastic, styrofoam parts etc.) must be stored out of reach of children - risk of suffocation. The appliance must be disconnected from

the power supply before any installation operation - risk of electrical shock. During installation, make sure the appliance does not damage the power cable - risk of fire or electrical shock. Only activate the appliance when the installation has been completed.

⚠ **WARNING:** Modification of the appliance and its method of installation are essential in order to use the appliances safely and correctly in all the additional countries.

⚠ Use pressure regulators suitable for the gas pressure indicated in the instruction.

⚠ The room must be equipped with an air extraction system that expels any combustion fumes.

⚠ The room must also allow proper air circulation, as air is needed for combustion to occur normally. The flow of air must not be less than 2 m³/h per kW of installed power.

⚠ The air circulation system may take air directly from the outside by means of a pipe with an inner cross section of at least 100 cm²; the opening must not be vulnerable to any type of blockages.

⚠ The system can also provide the air needed for combustion indirectly, i.e. from adjacent rooms fitted with air circulation tubes as described above. However, these rooms must not be communal rooms, bedrooms or rooms that may present a fire hazard.

⚠ Liquid petroleum gas sinks to the floor as it is heavier than air. Therefore, rooms containing LPG cylinders must also be equipped with vents to allow gas to escape in the event of a leak. As a result LPG cylinders, whether partially or completely full, must not be installed or stored in rooms or storage areas that are below ground level (cellars, etc.). It is advisable to keep only the cylinder being used in the room, positioned so that it is not subject to heat produced by external sources (ovens, fireplaces, stoves, etc.) which could raise the temperature of the cylinder above 50°C.

Should you experience difficulty in turning the burners knobs, please contact After Sales Service for replacement of the burner tap if found to be faulty.

The openings used for the ventilation and dispersion of heat must never be covered.

⚠ Carry out all cabinet cutting works before fitting the appliance in the furniture and remove all wood chips and sawdust.

⚠ If the appliance is not installed above an oven, a separator panel (not included) must be installed in the compartment under the appliance.

GAS CONNECTION

⚠ **WARNING:** Prior to installation, ensure that the local distribution conditions (type of gas and gas pressure) and the adjustment of the appliance are compatible.

⚠ Check that the pressure of the gas supply is consistent with the values indicated in "Burner and nozzle specifications" table.

⚠ **WARNING:** The configuration conditions for this appliance are stated on the label (or data plate).

⚠ **WARNING:** This appliance is not connected to a combustion products evacuation device. It must be installed and connected in accordance with current installation regulations. Particular attention must be paid to the relevant requirements regarding ventilation.

⚠ If the appliances is connected to liquid gas, the regulation screw must be fastened as tightly as possible.

⚠ **IMPORTANT:** When the gas cylinder or gas container is installed, it must be properly settled (vertical orientation).

⚠ **WARNING:** This operation must be performed by a qualified technician.

⚠ Use only flexible or rigid metal hose for gas connection.

⚠ Connection with a rigid pipe (copper or steel) Connection to the gas system must be carried out in such a way as not to place any strain of any kind on the appliance. There is an adjustable L-shaped pipe fitting on the appliance supply ramp and this is fitted with a seal in order to prevent leaks. The seal must always be replaced after rotating the pipe fitting (the seal is provided with the appliance). The gas supply pipe fitting is a threaded 1/2 gas cylindrical male attachment.

⚠ Connecting a flexible jointless stainless steel pipe to a threaded attachment. The gas supply pipe fitting is a threaded 1/2 gas cylindrical male attachment. These pipes must be installed so that they are never longer than 2000 mm when fully extended. Once connection has been carried out, make sure that the flexible metal pipe does not touch any moving parts and is not compressed. Only use pipes and seals that comply with current National regulations.

⚠ **IMPORTANT:** If a stainless steel hose is used, it must be installed so as not to touch any mobile part of the furniture (e.g. drawer). It must pass through an area where there are no obstructions and where it is possible to inspect it on all its length.

⚠ The appliance should be connected to the main gas supply or to gas cylinder in compliance with the current national regulations. Before making the connection, make sure that the appliance is compatible with the gas supply you wish to use. If this is not the case, follow the instructions indicated in the paragraph "Adapting to different types of gas".

⚠ After connection to the gas supply, check for leaks with soapy water. Light up the burners and turn the knobs from maximum position 1* to minimum position 2* to check flame stability.

ADAPTING TO DIFFERENT TYPES OF GAS

(This operation needs to be carried out by a qualified technician).

⚠ In order to adapt the appliance to a type of gas other than the type for which it was manufactured (indicated on the rating label), follow the dedicated steps provided after installation drawings.

ELECTRICAL WARNINGS

⚠ **IMPORTANT:** Information about current and voltage consumption is provided on the rating plate.

⚠ It must be possible to disconnect the appliance from the power supply by unplugging it if plug is accessible, or by a multi-pole switch installed upstream of the socket in accordance with the wiring rules and the appliance must be earthed in conformity with national electrical safety standards.

⚠ The power cable must be long enough to connect the appliance, once fitted in its housing, to the main power supply. Do not pull the power supply cable.

⚠ Do not use extension leads, multiple sockets or adapters. The electrical components must not be accessible to the user after installation. Do not use the appliance when you are wet or barefoot. Do not operate this appliance if it has a damaged power cable or plug, if it is not working properly, or if it has been damaged or dropped.

⚠ If the supply cord is damaged, it must be replaced with an identical one by the manufacturer, its service agent or similarly qualified persons in order to avoid a hazard - risk of electrical shock.


CLEANING AND MAINTENANCE

⚠ **WARNING:** Ensure that the appliance is switched off and disconnected from the power supply before performing any maintenance operation; never use steam cleaning equipment - risk of electric shock.

⚠ Do not use abrasive or corrosive products, chlorine-based cleaners or pan scourers.

⚠ To avoid damaging the electric ignition device, do not use it when the burners are not in their housing.

DISPOSAL OF PACKAGING MATERIALS


The packaging material is 100% recyclable and is marked with the recycle symbol .

The various parts of the packaging must therefore be disposed of responsibly and in full compliance with local authority regulations governing waste disposal.

DISPOSAL OF HOUSEHOLD APPLIANCES

This appliance is manufactured with recyclable or reusable materials. Dispose of it in accordance with local waste disposal regulations. For further information on the treatment, recovery and recycling of household electrical appliances, contact your local authority, the collection service for household waste or the store where you purchased the appliance. This appliance is marked in compliance with European Directive 2012/19/EU, Waste Electrical and Electronic Equipment (WEEE) and with the Waste Electrical and Electronic Equipment regulations 2013 (as amended).

By ensuring this product is disposed of correctly, you will help prevent negative consequences for the environment and human health.

The symbol  on the product or on the accompanying documentation indicates that it should not be treated as domestic waste but must be taken to an appropriate collection center for the recycling of electrical and electronic equipment.

ENERGY SAVING TIPS

Use pots and pans with bottom width equal to that of the cooking zone.

Only use flat-bottomed pots and pans.

When possible, keep pot lids on during cooking.

Use a pressure cooker to save even more energy and time.

DECLARATION OF CONFORMITY

This appliance meets Ecodesign requirements of European Regulation 66/2014 and The Ecodesign for Energy-Related Products and Energy Information (Amendment) (EU Exit) Regulations 2019 in compliance with the European standard EN 30-2-1.

BURNER AND NOZZLE SPECIFICATIONS
CATEGORY II2H3+

Type of gas used	Type of burner	Injector marking	Rated thermal flow rate kW	Rated consumption	Reduced heat capacity kW	Gas pressure mbar		
						min.	rat.	max.
NATURAL GAS (Methane) G20	Rapid (R)	128 B	3,00	286 l/h	0,70	17	20	25
	Semi-rapid (SR)	97 A	1,65	157 l/h	0,40			
	Auxiliary (AUX)	78 A	1,00	95 l/h	0,40			
LIQUEFIED PETROLEUM GAS (Butane) G30	Rapid (R)	85 A	3,00	218 g/h	0,70	20	28-30	35
	Semi-rapid (SR)	66 A	1,65	120 g/h	0,40			
	Auxiliary (AUX)	50	1,00	73 g/h	0,40			
LIQUEFIED PETROLEUM GAS (Propane) G31	Rapid (R)	85 A	3,00	214 g/h	0,70	25	37	45
	Semi-rapid (SR)	66 A	1,65	118 g/h	0,40			
	Auxiliary (AUX)	50	1,00	71 g/h	0,40			

Type of gas used	Model configuration 4 BURNERS	Rated thermal flowrate (kW)	Total rated consumption	Air required (m ³) for burning 1m ³ of gas
G20 20 mbar	1R - 2SR - 1AUX	7,30	695 l/h	9,52
G30 28-30 mbar	1R - 2SR - 1AUX	7,30	531 g/h	30,94
G31 37 mbar	1R - 2SR - 1AUX	7,30	521 g/h	23,80

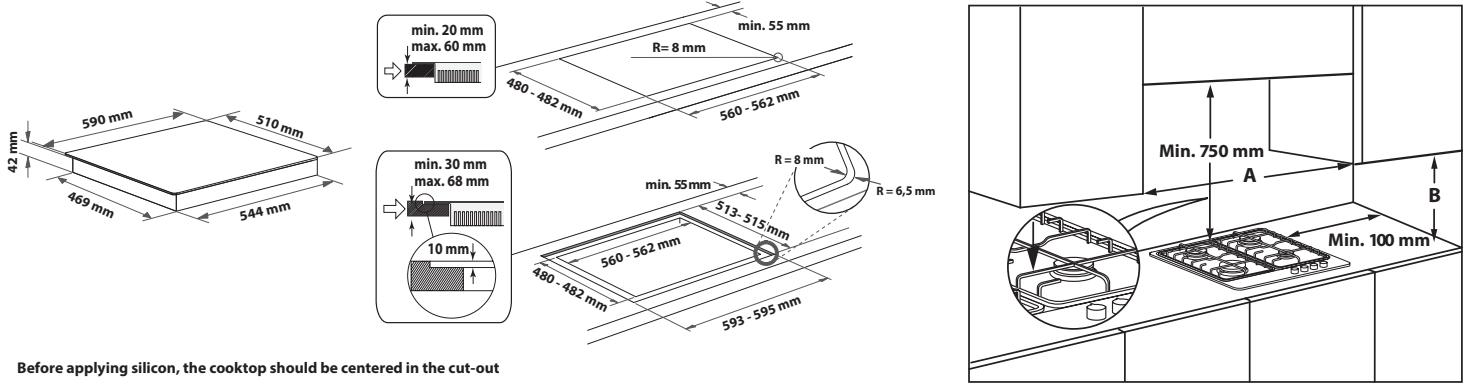
ELECTRIC SUPPLY: 220-240 V ~ 50-60 Hz - 1,1W


INSTALLATION (CLASS 3)

TECHNICAL INFORMATION FOR THE INSTALLER

- Use protective gloves for handling, preparing and installing the product.
- This product can be embedded in a worktop 20 ÷ 60 mm thick with standard installation. For flush installation 30 ÷ 68 mm.
- If there is no oven beneath the hob, insert a separator panel that has a surface at least equal to the opening in the work surface. This panel must be positioned at a maximum distance of 150 mm below the upper surface of the work surface but, in no case less than 20 mm from the bottom of the hob. In the case that you intend to install an oven beneath the hob, make sure that it is equipped with a cooling system.

DIMENSIONS AND DISTANCES TO BE MAINTAINED



Before applying silicon, the cooktop should be centered in the cut-out

NOTE: if distance "A" between the kitchen cabinets is between 600 mm and 730 mm, height "B" must be at least 530 mm. If distance "A" between the kitchen cabinets is greater than the hob's width, height "B" must be at least 400 mm. If a hood is installed above the hob, refer to the hood's assembly instructions to see the necessary distance.

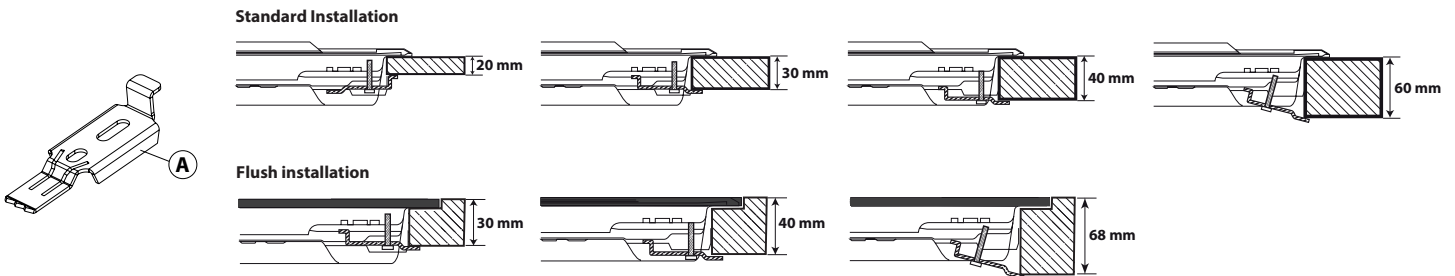
ASSEMBLY

After having cleaned the perimeter surface, apply the supplied gasket to the hob as shown in the figure.

Position the hob in the worktop opening made respecting the dimensions indicated in the Instruction.

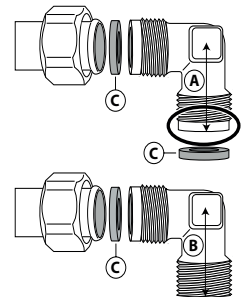
NOTE: the power supply cable must be long enough to permit its upward extraction.

To secure the hob, use the brackets (A) provided with it. Fit the brackets into the relevant bores shown by the arrow and fasten them by means of their screws in accordance with the thickness of the worktop (see the following figures).

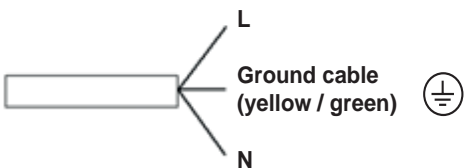


GAS CONNECTION

- Connect elbow (A)* or (B)* supplied with to the hob inlet main pipe and interpose the washer (C) supplied, in compliance with EN 549.
- * Use elbow (A) for France and elbow (B) for all other destinations.
- After connection to the gas supply, check for leaks with soapy water. Light up the burners and turn the knobs from maximum position to minimum position to check flame stability.



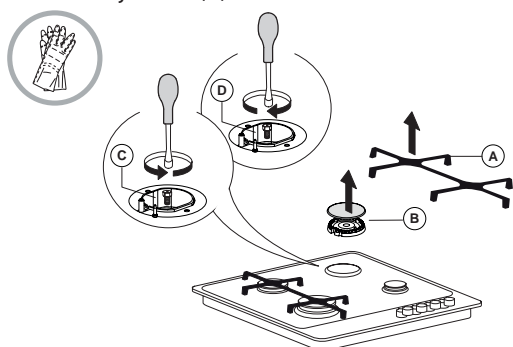
ELECTRICAL CONNECTION



REPLACING THE INJECTORS (see the injector table in the Safety instructions)

⚠ This operation must be performed by a qualified technician.

- Remove grids (A).
- Extract burners (B).
- Using a socket spanner of the appropriate size unscrew the injector (C), to be replaced.
- Replace it with the injector suitable for the new type of gas.
- Re-assemble the injector in (D).



Before installing the hob, remember to affix the gas calibration plate supplied with the injectors in such a way that it covers the existing information relating to gas calibration.

CLEANING AND MAINTENANCE

⚠ Disconnect the appliance from the power supply.

CLEANING THE HOB SURFACE

- All the enamelled and glass parts should be cleaned with warm water and a neutral solution.
- Stainless steel surfaces may be stained by calcareous water or aggressive detergents if left in contact for too long. Any food spills (water, sauce, coffee, etc.) should be wiped away before they dry.
- Clean with warm water and neutral detergent, and then dry with a soft cloth or chamois. Remove baked-on dirt with specific cleaners for stainless steel surfaces.

NOTE: clean stainless steel only with soft cloth or sponge.

- Do not use abrasive or corrosive products, chlorine-based cleaners or pan scourers.
- Do not use steam cleaning appliances.
- Do not use flammable products.
- Do not leave acid or alkaline substances, such as vinegar, mustard, salt, sugar or lemon juice on the hob.

TROUBLESHOOTING

If the hob does not operate correctly, before calling the After-Sales Service, refer to the Troubleshooting Guide to determine the problem

1. The burner fails to ignite, or the flame is not even

Check that:

- the gas or electrical supplies are not shut off and especially that the gas supply tap is open;
- the gas cylinder (liquid gas) is not empty;
- the burner openings are not clogged;
- the plug end is not dirty;
- all the burner parts have been positioned correctly;
- there are no draughts near the hob.

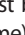
2. The burner does not stay lit

Check that:

- when lighting the burner, the knob has been pressed for enough time to activate the protection device;
- the burner openings are not clogged near the thermocouple;
- the end of the safety device is not dirty;
- the minimum gas setting is correct (see relevant paragraph).

ADJUSTING MINIMUM GAS SETTING OF TAPS



⚠ This operation must be performed by a qualified technician.

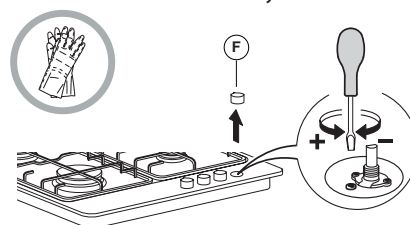
The adjustment must be performed with the tap in a minimum gas setting position  (small flame).

The primary air of the burners does not need to be adjusted.

To ensure that the minimum setting is correctly adjusted, remove the knob (F) and proceed as follows:

- tighten the screw to reduce the flame height (-);
- loosen the screw to increase the flame height (+).

At this stage, light up the burners and turn the knobs from maximum position  to minimum position  to check flame stability.



Upon completion of adjustment, reseal using sealing wax or an equivalent material.

CLEANING THE HOB PARTS

- Clean glass and enamelled parts only with soft cloth or sponge.
- Grids, burner caps and burners can be removed to be cleaned.
- Clean them by hand with warm water and non-abrasive detergent, removing any food residues and checking that none of the burner openings is clogged.
- Rinse and dry.
- **The cast-iron grates may be cleaned in the dishwasher. Remove any burnt-on food before placing the grates in the lowest rack in the dishwasher.**
- Refit burners and burner caps correctly in the respective housings.
- When replacing the grids, make sure that the panstand area is aligned with the burner.
- Models equipped with electrical ignition plugs and safety device require thorough cleaning of the plug end in order to ensure correct operation. Check these items frequently, and if necessary, clean them with a damp cloth. Any baked-on food should be removed with a toothpick or needle.

NOTE: to avoid damaging the electric ignition device, do not use it when the burners are not in their housing.

3. The containers are not stable

Check that:

- the bottom of the container is perfectly flat;
- the container is centred on the burner;
- the grids have not been exchanged or positioned incorrectly.

If after the above checks the fault still occurs, get in touch with the nearest After Sales Service.

AFTER-SALES SERVICE

In order to receive complete assistance, please register your product on www.indesit.com/register.

BEFORE CALLING THE AFTER-SALES SERVICE:

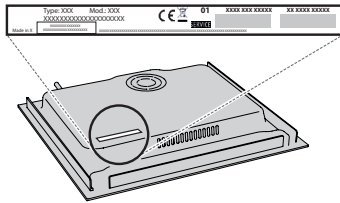
1. See if you can solve the problem by yourself with the help of the **TROUBLESHOOTING** suggestions.
2. Switch the appliance off and back on again to see if the fault persists.

IF AFTER THE ABOVE CHECKS THE FAULT STILL OCCURS, GET IN TOUCH WITH THE NEAREST AFTER-SALES SERVICE.

To receive assistance, call the number shown on the warranty booklet or follow the website's instructions on www.indesit.com.

When contacting our Client After-sales service, always specify:

- a brief description of the fault;
- the type and exact model of the appliance;



- the serial number (number after the word SN on the rating plate located under the appliance). The serial number is also indicated in the documentation;



PRODUCT INFORMATION

Mod. **XXX XXX**
 Ind.C. **XXXX XXXX XXXX**
 SN: **XXXX XXXX XXXX**
 Prod.N. **XXXX XXXX XXXX**

- your full address;
- your telephone number.

If any repairs are required, please contact an authorized after-sales service (to guarantee that original spare parts will be used and repairs carried out correctly).

Policies, standard documentation and additional product information can be found by:

- Using QR code in your appliance;
- Visiting our website docs.indesit.eu;
- Alternatively, **contact our After-sales Service** (See phone number in the warranty booklet). When contacting our After-sales Service, please state the codes provided on your product's identification plate.



NORME DI SICUREZZA

⚠ Queste istruzioni sono valide se sull'apparecchio è riportato il simbolo del paese. Se il simbolo del paese non è presente sull'apparecchio occorre fare riferimento alle istruzioni tecniche, che contengono le istruzioni necessarie per la modifica dell'apparecchio secondo le condizioni d'uso del paese.

⚠ **ATTENZIONE:** l'uso di apparecchi di cottura a gas causa la produzione di calore, umidità e prodotti di combustione nel locale di installazione. La cucina deve essere ben ventilata, soprattutto durante l'uso dell'apparecchio: tenere aperti i canali di ventilazione naturali o installare un dispositivo di ventilazione meccanica (una cappa di estrazione meccanica). Un uso intensivo e prolungato dell'apparecchio può richiedere una ventilazione supplementare o più efficace, ad esempio l'apertura di una finestra o, se possibile, l'attivazione a una maggiore velocità di un dispositivo di ventilazione meccanica.

⚠ La mancata osservanza delle informazioni contenute in questo manuale può causare rischi di incendio o esplosione, con conseguenti danni materiali o lesioni personali.

Prima di utilizzare l'apparecchio, leggere le seguenti norme di sicurezza. Conservarle per eventuali consultazioni successive.

Questo manuale e l'apparecchio sono corredati da importanti avvertenze di sicurezza, da leggere e rispettare sempre. Il fabbricante declina qualsiasi responsabilità che derivi dalla mancata osservanza delle presenti istruzioni di sicurezza, da usi impropri dell'apparecchio o da errate impostazioni dei comandi.

⚠ **AVVERTENZA:** Se la superficie del piano cottura è incrinata, non utilizzare l'apparecchio per evitare il rischio di folgorazione.

⚠ **AVVERTENZA:** Pericolo di incendio: non appoggiare oggetti sulle superfici di cottura.

⚠ **ATTENZIONE:** Il processo di cottura deve essere sorvegliato. I processi di cottura brevi richiedono una supervisione continua.

⚠ **AVVERTENZA:** La cottura non sorvegliata su un piano di cottura con grasso e olio può essere pericolosa e generare incendi. Non tentare MAI di spegnere le fiamme con acqua. Al contrario, spegnere l'apparecchio e soffocare le fiamme, ad esempio con un coperchio o una coperta antincendio.

⚠ Non utilizzare il piano di cottura come superficie di lavoro o appoggio. Non avvicinare all'apparecchio stoffe o altri materiali infiammabili fino a che tutti i componenti non si siano completamente raffreddati per evitare il rischio di incendi.

⚠ Tenere l'apparecchio fuori dalla portata dei bambini di età inferiore a 3 anni. Senza la sorveglianza costante di un adulto, tenere l'apparecchio fuori dalla portata dei bambini di età inferiore a 8 anni. I bambini di età superiore agli 8 anni, le persone con ridotte capacità fisiche, sensoriali o mentali e le persone che non abbiano esperienza o conoscenza dell'apparecchio potranno utilizzarlo solo sotto sorveglianza, o quando siano state istruite sull'utilizzo sicuro dell'apparecchio e siano consapevoli dei rischi del suo utilizzo. Vietare ai bambini di giocare con l'apparecchio. La pulizia e la manutenzione ordinaria non devono essere effettuate da bambini senza la supervisione di un adulto.

IMPORTANTE: DA LEGGERE E OSSERVARE

⚠ **ATTENZIONE:** in caso di rottura del vetro del piano di cottura: spegnere immediatamente tutti i bruciatori e le resistenze elettriche e scollegare l'apparecchio dall'alimentazione, non toccare la superficie dell'apparecchio; non utilizzare l'apparecchio.

Il coperchio di vetro può rompersi se viene riscaldato. Prima di chiudere il coperchio, spegnere tutti i bruciatori e le piastre elettriche. Non chiudere il coperchio se i bruciatori sono accesi.

⚠ **AVVERTENZA:** L'apparecchio e i suoi componenti accessibili possono diventare molto caldi durante l'uso. Fare attenzione a non toccare gli elementi riscaldanti. Tenere lontani i bambini di età inferiore agli 8 anni, a meno che non siano costantemente sorvegliati.

⚠ L'alimento non deve essere lasciato nel o sul prodotto per più di un'ora prima o dopo la cottura.

USO CONSENTITO

⚠ **ATTENZIONE:** l'apparecchio non è destinato ad essere messo in funzione mediante un dispositivo di commutazione esterno, ad esempio un temporizzatore, o attraverso un sistema di comando a distanza separato.

⚠ L'apparecchio è destinato all'uso domestico e ad applicazioni analoghe, quali: aree di cucina per il personale di negozi, uffici e altri contesti lavorativi; agriturismi; camere di hotel, motel, bed & breakfast e altri ambienti residenziali.

⚠ Non sono consentiti altri usi (ad esempio, il riscaldamento di locali).

⚠ Questo apparecchio non è destinato all'uso professionale. Non utilizzare l'apparecchio all'aperto.

⚠ Utilizzare pentole e tegami di diametro pari o leggermente superiore al diametro dei bruciatori (vedere la tabella). Evitare che le pentole, posizionate sulle griglie, fuoriescano dal perimetro del piano di cottura.

⚠ L'uso improprio delle griglie potrebbe danneggiare il piano: evitare di appoggiare le griglie capovolte o di trascinarle sul piano.

Non lasciare che la fiamma del bruciatore si estenda oltre il bordo della pentola.

Se la superficie del piano è in vetro, non utilizzare le bisticchiere in ghisa, le pietre di collare, le pentole e le padelle in terracotta.

Non utilizzare: dissipatori di rete metallica o di altro tipo; due bruciatori simultaneamente per la cottura con un solo recipiente (ad esempio una pesciera).

Qualora particolari condizioni del gas erogato localmente rendessero difficoltosa l'accensione del bruciatore, si consiglia di ripetere l'operazione con la manopola ruotata sulla posizione della fiamma piccola.

In caso di installazione di una cappa sul piano di cottura, fare riferimento alle relative istruzioni per la distanza corretta.

I piedini di protezione in gomma sotto le griglie potrebbero essere ingeriti dai bambini piccoli rappresentando il rischio di soffocamento. Dopo avere rimosso le griglie, controllare che tutti i piedini siano montati correttamente.

INSTALLAZIONE

⚠ Per evitare il rischio di lesioni personali, le operazioni di movimentazione e installazione dell'apparecchio devono essere eseguite da almeno due persone. Per evitare rischi di taglio, durante le operazioni di disimballaggio e installazione utilizzare i guanti protettivi.

⚠ I collegamenti di gas ed elettricità devono essere conformi alle norme locali.

⚠ L'installazione, comprendente anche eventuali raccordi per l'alimentazione idrica e i collegamenti elettrici, e gli interventi

di riparazione devono essere eseguiti da personale qualificato. Non riparare o sostituire qualsiasi parte dell'apparecchio se non espressamente richiesto nel manuale d'uso. Tenere i bambini a distanza dal luogo dell'installazione. Dopo aver disimballato l'apparecchio, assicurarsi che non sia stato danneggiato durante il trasporto. In caso di problemi, contattare il rivenditore o il Servizio Assistenza. A installazione completata, conservare il materiale di imballaggio (parti in plastica, polistirolo, ecc.) fuori della portata dei bambini per evitare potenziali rischi di soffocamento. Prima di procedere all'installazione, scollegare l'apparecchio dalla rete elettrica per non correre il rischio di scosse elettriche. Per evitare il rischio di incendio o di folgorazione, durante l'installazione assicurarsi che l'apparecchio non danneggi il cavo di alimentazione. Attivare l'apparecchio solo dopo avere completato la procedura di installazione.

⚠ **AVVERTENZA:** la modifica dell'apparecchio e del metodo di installazione sono essenziali per il suo utilizzo sicuro e corretto in ogni paese.

⚠ Utilizzare regolatori di pressione idonei alla pressione del gas indicata nelle istruzioni.

⚠ Il locale deve essere provvisto di un sistema di estrazione dell'aria in grado di espellere i fumi prodotti dalla combustione.

⚠ Il locale deve inoltre consentire un'adeguata circolazione dell'aria, in quanto l'aria è necessaria per la normale combustione. Il flusso d'aria non deve essere inferiore a 2 m³/h per ogni kW di potenza installata.

⚠ Il sistema di circolazione può aspirare l'aria direttamente dall'esterno mediante una tubazione con sezione interna non inferiore a 100 cm²; l'apertura non deve essere soggetta ad alcun tipo di ostruzione.

⚠ Il sistema può fornire l'aria necessaria per la combustione anche in modo indiretto, ad esempio da locali adiacenti provvisti di tubazioni di circolazione dell'aria del tipo sopra descritto. Tali locali, tuttavia, non devono essere spazi comuni, camere da letto o stanze che possano presentare rischi d'incendio.

⚠ Il gas di petrolio liquido (GPL) si sposta verso terra perché è più pesante dell'aria. Per questa ragione, i locali che contengano bombole di GPL devono essere provvisti di sfiati che consentano al gas di fuoriuscire in caso di perdite. Le bombole di GPL, anche solo parzialmente piene, non devono essere installate o conservate in locali o aree di deposito situate sotto il piano terreno (cantine, ecc.). È consigliabile tenere nel locale solo la bombola in uso, posizionandola in modo che non sia esposta a fonti di calore esterne (forni, camini, stufe, ecc.) che possano innalzare la temperatura della bombola oltre 50°C.

Se la rotazione delle manopole dei bruciatori dovesse risultare difficoltosa, contattare il Servizio Assistenza, che in caso di rubinetto difettoso provvederà a sostituirlo.

Le aperture utilizzate per la ventilazione e la dispersione del calore non devono mai essere coperte.

⚠ Eseguire tutte le operazioni di taglio del mobile prima di inserire il forno, avendo cura di rimuovere trucioli o residui di segatura.

⚠ Se l'apparecchio non è installato sopra un forno, è necessario installare un pannello divisorio (non in dotazione) nel vano sottostante.

COLLEGAMENTO DEL GAS

⚠ **AVVERTENZA:** Prima dell'installazione, controllare che le condizioni di distribuzione del locale (tipo e pressione del gas) siano compatibili con la configurazione dell'apparecchio.

⚠ Controllare che la pressione del gas dell'impianto sia in linea con i valori riportati nella Tabella "Specifiche di bruciatori e ugelli".

⚠ **AVVERTENZA:** le condizioni di configurazione dell'apparecchio sono riportate sull'etichetta (o sulla targhetta matricola).

⚠ **AVVERTENZA:** questo apparecchio non è collegato a un dispositivo di evacuazione dei prodotti di combustione. l'installazione e l'allacciamento devono essere eseguiti in conformità alle norme vigenti. Prestare particolare attenzione ai requisiti in materia di ventilazione.

⚠ Se l'apparecchio è collegato a un impianto a gas liquido, la vite di regolazione deve essere serrata con la massima forza possibile.

⚠ **IMPORTANTE:** se si utilizza una bombola di gas o è installato un serbatoio di gas, questi devono essere posizionati correttamente (orientamento verticale).

⚠ **AVVERTENZA:** questa operazione deve essere eseguita da un tecnico qualificato.

⚠ Per l'allacciamento del gas, utilizzare solo un tubo di metallo flessibile o rigido.

⚠ Collegamento con tubo rigido (rame o acciaio) Il collegamento all'impianto del gas deve essere eseguito in modo da evitare qualsiasi forma di compressione o di trazione sull'apparecchio. Sulla rampa di alimentazione dell'apparecchio si trova un raccordo a L regolabile, provvisto di una guarnizione di tenuta contro le perdite. La guarnizione deve essere riapplicata dopo ogni rotazione del raccordo (la guarnizione è in dotazione con l'apparecchio). Il raccordo per il tubo di mandata del gas è un attacco maschio cilindrico 1/2 filettato.

⚠ Collegamento di un tubo in acciaio inox flessibile senza saldature a un attacco filettato Il raccordo per il tubo di mandata del gas è un attacco maschio cilindrico 1/2 filettato. Questi tubi devono essere installati in modo che la loro estensione completa non superi i 2000 mm di lunghezza. Una volta eseguito il collegamento, controllare che il tubo in metallo flessibile non entri a contatto con parti mobili e non sia compresso. Usare solo tubi e guarnizioni conformi alle norme nazionali vigenti.

⚠ **IMPORTANTE:** nel caso si utilizzi un tubo in acciaio inox, questo dovrà essere installato in modo da non entrare in contatto con parti mobili (es. cassette). Il tubo deve passare in un'area libera da ingombri e deve essere ispezionabile su tutta la lunghezza.

⚠ L'apparecchio deve essere collegato all'impianto del gas o alla bombola del gas in conformità alle norme nazionali vigenti. Prima di procedere al collegamento, verificare che l'apparecchio sia compatibile con l'impianto di alimentazione del gas che si intende utilizzare. In caso contrario, seguire le istruzioni del paragrafo "Adattamento dell'apparecchio al tipo di gas".

⚠ Dopo il collegamento all'alimentazione del gas, verificare con una soluzione di acqua saponata che non vi siano perdite.

Con i bruciatori accesi, ruotare le manopole dalla posizione massima 1* alla posizione minima 2* per verificare la stabilità della fiamma.

ADATTAMENTO DELL'APPARECCHIO AL TIPO DI GAS

(Questa operazione deve essere eseguita da un tecnico qualificato).

⚠ Per adattare l'apparecchio a un tipo di gas diverso da quello per il quale è stato prodotto (indicato sull'etichetta), seguire la procedura riportata dopo i disegni di installazione.

AVVERTENZE ELETTRICHE

⚠ **IMPORTANTE:** Le informazioni sui consumi di corrente e tensione sono riportate sulla targhetta matricola.

⚠ Il cavo di alimentazione deve essere sufficientemente lungo da consentire il collegamento dell'apparecchio, una volta posizionato nell'ubicazione definitiva, alla presa di corrente. Non tirare il cavo di alimentazione.

⚠ Deve essere possibile scollegare l'apparecchio dalla rete elettrica disinserendo la spina, se questa è accessibile, o tramite un interruttore multipolare installato a monte della presa nel rispetto dei regolamenti elettrici vigenti; inoltre, l'apparecchio deve essere messo a terra in conformità alle norme di sicurezza elettrica nazionali.

⚠ Non utilizzare cavi di prolunga, prese multiple o adattatori. Una volta terminata l'installazione, i componenti elettrici non devono più essere accessibili. Non utilizzare l'apparecchio quando si è bagnati oppure a piedi nudi. Non accendere l'apparecchio se il cavo di alimentazione o la spina sono danneggiati, se si osservano anomalie di funzionamento o se l'apparecchio è caduto o è stato danneggiato.

⚠ Se il cavo di alimentazione è danneggiato, deve essere sostituito con uno dello stesso tipo dal produttore, da un centro di assistenza autorizzato o da un tecnico qualificato per evitare situazioni di pericolo o rischi di scosse elettriche.


PULIZIA E MANUTENZIONE

⚠ **AVVERTENZA:** Per evitare rischi di folgorazione, prima di qualsiasi intervento di manutenzione accertarsi che l'apparecchio sia spento e scollegato dall'alimentazione elettrica; non usare in nessun caso pulitrici a getto di vapore.

⚠ Non utilizzare prodotti abrasivi o corrosivi, prodotti a base di cloro o pagliette.

⚠ Per evitare danni all'accensione elettrica, non utilizzarla quando i bruciatori non sono nella loro sede.


SMALTIMENTO DEL MATERIALE DI IMBALLAGGIO

Il materiale di imballaggio è riciclabile al 100% ed è contrassegnato dal simbolo del riciclaggio .

Le varie parti dell'imballaggio devono pertanto essere smaltite responsabilmente e in stretta osservanza delle norme stabilite dalle autorità locali.

SMALTIMENTO DEGLI ELETTRODOMESTICI

Questo prodotto è fabbricato con materiale riciclabile o riutilizzabile. Smaltire il prodotto rispettando le normative locali in materia. Per ulteriori informazioni sul trattamento, il recupero e il riciclaggio degli elettrodomestici, contattare l'ufficio locale competente, il servizio di raccolta dei rifiuti domestici o il negozio presso il quale il prodotto è stato acquistato. Questo apparecchio è contrassegnato in conformità alla direttiva europea 2012/19/UE, Rifiuti di apparecchiature elettriche ed elettroniche (RAEE) e alle norme sui rifiuti di apparecchiature elettriche ed elettroniche 2013 (e successive modifiche). Assicurandosi che questo prodotto sia smaltito in modo corretto, l'utente contribuisce a prevenire le conseguenze negative per l'ambiente e la salute.

Il simbolo  sul prodotto o sulla documentazione di accompagnamento indica che questo apparecchio non deve essere smaltito come rifiuto domestico, bensì conferito presso un centro di raccolta preposto al ritiro delle apparecchiature elettriche ed elettroniche.

CONSIGLI PER IL RISPARMIO ENERGETICO

Utilizzare pentole e tegami con diametro del fondo corrispondente al diametro della zona di cottura.

Utilizzare solo pentole e padelle con fondo piatto.

Se possibile, tenere il coperchio sulle pentole durante la cottura.

Utilizzare la pentola a pressione per ridurre il consumo di energia e il tempo di cottura.

DICHIARAZIONE DI CONFORMITÀ

Questo apparecchio soddisfa i requisiti di Ecodesign del regolamento europeo 66/2014 e l'Ecodesign per i prodotti connessi all'energia e le informazioni sull'energia (emendamento) (Uscita UE) Regolamenti 2019 in conformità con la norma europea EN 30-2-1.

Tipo di gas utilizzato	Tipo di bruciatore	Iniettore	Portata termica nominale kW	Consumo nominale	Potenza termica ridotta kW	Pressione del gas mbar		
						min.	nom.	max.
GAS NATURALE (Metano) G20	Rapido (R)	128 B	3,00	286 l/h	0,70	17	20	25
	Semirapido (SR)	97 A	1,65	157 l/h	0,40			
	Ausiliario (AUX)	78 A	1,00	95 l/h	0,40			
GAS PETROLIO LIQUIDO (Butano) G30	Rapido (R)	85 A	3,00	218 g/h	0,70	20	28-30	35
	Semirapido (SR)	66 A	1,65	120 g/h	0,40			
	Ausiliario (AUX)	50	1,00	73 g/h	0,40			
GAS PETROLIO LIQUIDO (Propano) G31	Rapido (R)	85 A	3,00	214 g/h	0,70	25	37	45
	Semirapido (SR)	66 A	1,65	118 g/h	0,40			
	Ausiliario (AUX)	50	1,00	71 g/h	0,40			

Tipo di gas utilizzato	Configurazione modello 4 BRUCIATORI	Potenza termica nominale (kW)	Consumo totale nominale	Aria necessaria (m ³) per la combustione di 1 m ³ di gas
G20 20 mbar	1R - 2SR - 1AUX	7,30	695 l/h	9,52
G30 28-30 mbar	1R - 2SR - 1AUX	7,30	531 g/h	30,94
G31 37 mbar	1R - 2SR - 1AUX	7,30	521 g/h	23,80

ALIMENTAZIONE ELETTRICA: 220-240 V ~ 50-60 Hz - 1,1 W

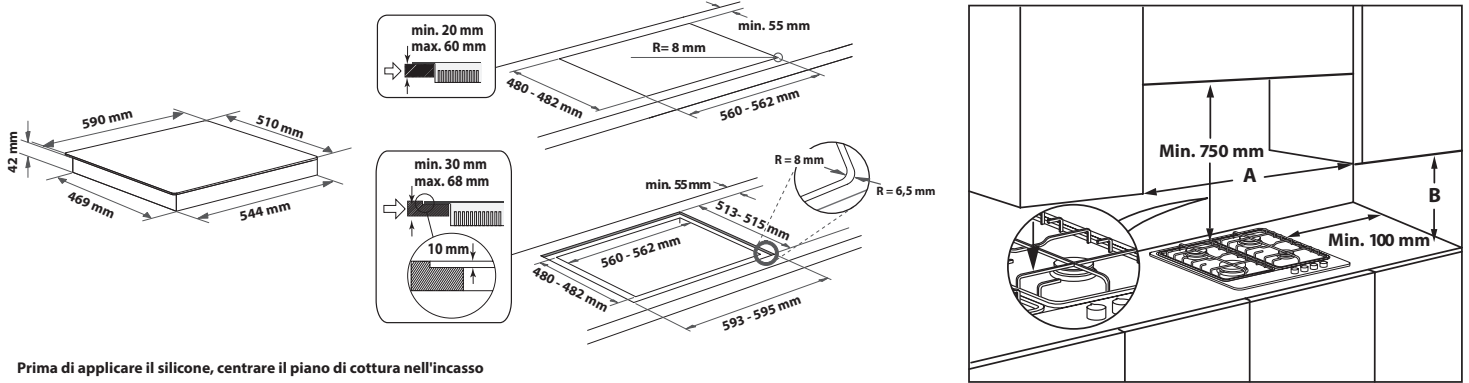


INSTALLAZIONE (CLASSE 3)

INFORMAZIONI TECNICHE PER L'INSTALLATORE

- Utilizzare guanti protettivi per maneggiare, preparare e installare il prodotto.
- Questo prodotto può essere incassato in un top (piano di lavoro) dello spessore di 20 ÷ 60 mm con installazione standard. Per installazione a filo 30 ÷ 68 mm.
- Se sotto il piano di cottura non è previsto un forno, inserire un pannello separatore che abbia una superficie pari almeno all'apertura nel piano di lavoro. Tale pannello deve essere posizionato a una distanza massima di 150 mm dalla superficie superiore del piano di lavoro e in nessun caso inferiore a 20 mm dal fondo del piano di cottura. In caso si intenda installare un forno sotto il piano di cottura, assicurarsi che il forno sia dotato di un sistema di raffreddamento.

DIMENSIONI E DISTANZE DA RISPETTARE



Prima di applicare il silicone, centrare il piano di cottura nell'incasso

NOTA: se la distanza "A" tra i pensili è compresa tra 600 mm e 730 mm, l'altezza "B" deve essere minimo 530 mm. Se la distanza "A" tra i pensili è maggiore della larghezza del piano di cottura, l'altezza "B" deve essere minimo 400 mm. Qualora venga installata una cappa sopra il piano di cottura, fare riferimento alle istruzioni di montaggio della cappa per la distanza da rispettare.

MONTAGGIO

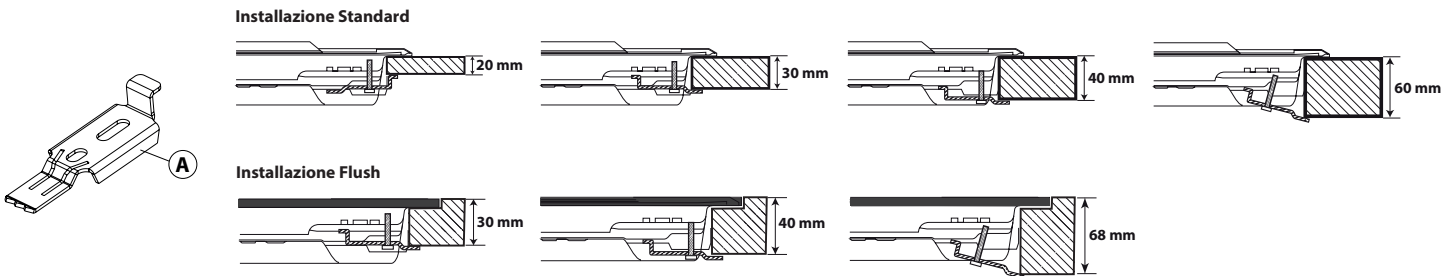
Dopo aver pulito la superficie perimetrale, applicare al piano di cottura la guarnizione in dotazione come mostrato in figura.

Posizionare il piano all'interno dell'apertura praticata secondo le dimensioni indicate nelle istruzioni.



NOTA: il cavo di alimentazione deve essere sufficientemente lungo da permetterne l'estrazione dall'alto.

Per bloccare il piano di cottura, utilizzare le staffe (A) in dotazione. Posizionare le staffe in corrispondenza dei fori evidenziati dalla freccia e fissarle con le apposite viti in modo da adattarle allo spessore del top (vedere le figure seguenti).

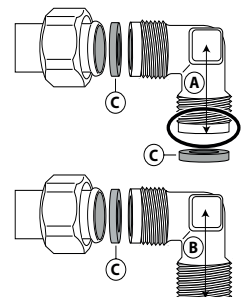


COLLEGAMENTO GAS

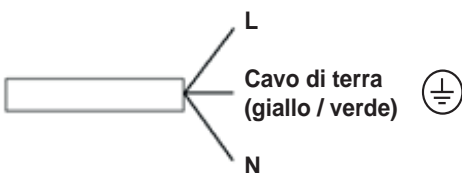
- Collegare il raccordo a gomito (A)* o (B)* fornito insieme al tubo di alimentazione principale del piano di cottura e interporre la guarnizione (C) in dotazione, a norma EN 549.

* Utilizzare il raccordo a gomito (A) per la Francia e il raccordo a gomito (B) per tutti gli altri paesi.

- Dopo il collegamento all'alimentazione del gas, verificare con una soluzione di acqua saponata che non vi siano perdite. Con i bruciatori accesi, ruotare le manopole dalla posizione massima (flame icon) alla posizione minima (no flame icon) per verificare la stabilità della fiamma.



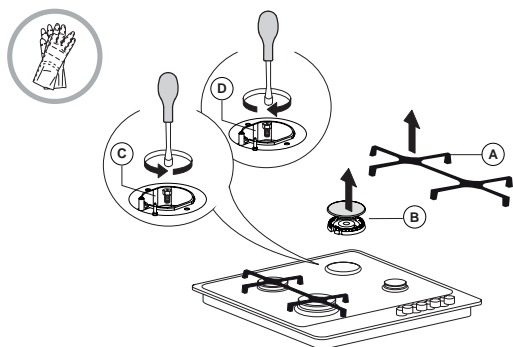
CONNESSIONE ELETTRICA



SOSTITUZIONE DEGLI INIETTORI (per il tipo vedere tabella ugelli nelle Norme di Sicurezza)

⚠ Questa operazione deve essere eseguita da un tecnico qualificato.

- Rimuovere le griglie (A).
- Estrarre i bruciatori (B).
- Con una chiave a tubo della dimensione appropriata, svitare l'iniettore da sostituire (C).
- Sostituirlo con l'iniettore previsto per il nuovo tipo di gas.
- Rimontare l'iniettore in (D).



Prima di installare il piano di cottura, ricordarsi di applicare la targhetta di taratura gas fornita con gli iniettori di ricambio, in modo che copra le informazioni già presenti.

PULIZIA E CURA

⚠ Scollegare l'alimentazione prima di eseguire la manutenzione.

PULIZIA DEL PIANO COTTURA

- Le parti smaltate e in vetro vanno lavate con acqua calda e detergente neutro.
- L'acqua calcarea o detersivi aggressivi potrebbero lasciare macchie sulle superfici in acciaio inox, se rimangono a contatto troppo a lungo. Eliminare prontamente eventuali residui di cibo (acqua, sugo, caffè, ecc.) prima che si seccino.
- Pulire con acqua calda e detergente neutro, quindi asciugare con un panno morbido o una pelle di daino. In caso di sporco difficile, usare esclusivamente detersivi indicati per le superfici in acciaio inox.

NOTA: pulire le superfici in acciaio inox solo con un panno morbido o una spugna.

- Non utilizzare prodotti abrasivi o corrosivi, prodotti a base di cloro o pagliette.
- Non utilizzare pulitrici a getto di vapore.
- Non utilizzare prodotti infiammabili.
- Evitare di lasciare sul piano sostanze acide o alcaline come aceto, mostarda, sale, zucchero o succo di limone.

RISOLUZIONE DEI PROBLEMI

Se il piano cottura non funziona correttamente, prima di chiamare l'assistenza esaminare questa guida rapida per individuare il problema.

1. Il bruciatore non si accende o la fiamma non è uniforme

Controllare che:

- non ci siano interruzioni nella rete di alimentazione del gas ed elettrica e, in particolare, che il rubinetto del gas sia aperto;
- la bombola del gas liquido non si sia esaurita;
- le aperture del bruciatore non siano ostruite;
- la parte terminale della candelina non sia sporca;
- tutte le parti che compongono il bruciatore siano posizionate correttamente;
- non ci siano correnti d'aria in prossimità del piano.

2. La fiamma non rimane accesa

Controllare che:

- la manopola sia stata premuta a fondo durante l'accensione del bruciatore per il tempo sufficiente ad attivare il dispositivo di sicurezza;
- le aperture del bruciatore non siano ostruite in corrispondenza della termocoppia;
- la parte terminale del dispositivo di sicurezza non sia sporca;
- la regolazione del minimo sia corretta (vedere il paragrafo corrispondente).

REGOLAZIONE DEL MINIMO DEI BRUCIATORI

⚠ Questa operazione deve essere eseguita da un tecnico qualificato.

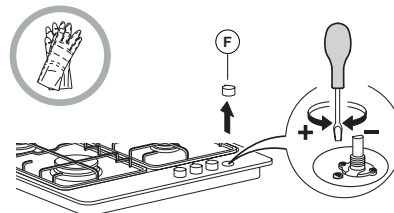
La regolazione deve essere eseguita con il rubinetto nella posizione di minimo (fiamma piccola) ⚡.

Non occorre regolare l'aria primaria dei bruciatori.

Per garantire una corretta regolazione del minimo, rimuovere la manopola e procedere nel modo seguente:

- avvitare la vite per ridurre l'altezza della fiamma (-);
- allentare la vite per aumentare l'altezza della fiamma (+);

Con i bruciatori accesi, ruotare le manopole dalla posizione massima ⚡ alla posizione minima ⚡ per verificare la stabilità della fiamma.



Terminata la regolazione, ripristinare i sigilli con ceralacca o materiale equivalente.

PULIZIA DEI COMPONENTI DEL PIANO

- Le griglie, i cappellotti e i bruciatori sono rimovibili per facilitarne la pulizia.
- Lavarli a mano con acqua calda e detersivo non aggressivo avendo cura di eliminare eventuali incrostazioni e controllando che nessuna delle aperture del bruciatore sia otturata.
- Sciacquare e asciugare.
- **Le griglie in ghisa possono essere pulite in lavastoviglie. Rimuovere eventuali residui di cibo bruciato prima di riporre le griglie nel cestello più basso della lavastoviglie.**
- Rimontare correttamente bruciatori e cappellotti nelle rispettive sedi.
- Nel riposizionare le griglie, assicurarsi che la zona di appoggio delle pentole sia allineata con il bruciatore.
- Nei modelli dotati di candeline di accensione elettrica e di termocoppie di sicurezza, occorre procedere a un'accurata pulizia della parte terminale della candelina per assicurarne il buon funzionamento. Controllare questi componenti frequentemente e, se necessario, pulirli con un panno umido. Eventuali residui di cibo secchi vanno rimossi con uno stuzzicadenti o un ago.

NOTA: per evitare danni all'accensione elettrica, non utilizzarla quando i bruciatori non sono nella loro sede.

3. I recipienti sono instabili

Controllare che:

- il fondo del recipiente sia perfettamente piano;
- il recipiente sia centrato sul bruciatore;
- le griglie non siano state invertite o posizionate in modo errato.

Se dopo le suddette verifiche il problema persiste, contattare il Servizio Assistenza più vicino.

SERVIZIO ASSISTENZA

Per ricevere un'assistenza più completa, registrare il prodotto su www.indesit.com/register.

PRIMA DI CHIAMARE IL SERVIZIO ASSISTENZA:

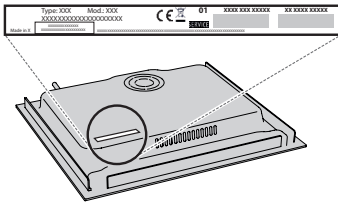
1. Verificare se non sia possibile eliminare da soli i guasti. Vedere "RISOLUZIONE DEI PROBLEMI".
2. Spegnerne e riaccendere l'apparecchio per assicurarsi che l'inconveniente sia stato eliminato.

SE DOPO I SUDETTI CONTROLLI IL PROBLEMA PERSISTE, CONTATTARE IL SERVIZIO ASSISTENZA PIÙ VICINO.

Per ricevere assistenza, chiamare il numero indicato sul libretto di garanzia o seguire le istruzioni sul sito web www.indesit.com.

Quando si contatta il nostro servizio assistenza, indicare sempre:

- una breve descrizione del guasto;
- il tipo e il modello esatti del prodotto;



- il numero di serie (è il numero che si trova dopo la parola SN sulla targhetta matricola posta sotto l'apparecchio). Il numero di serie è indicato anche nella documentazione;



PRODUCT INFORMATION

Mod. **xxx xxx**

Ind.C. **xxxx xxxx xxxx**

SN: **xxxx xxxx xxxx**

Prod.N. **xxxx xxxx xxxx**

- il proprio indirizzo completo;
- il proprio numero di telefono.

Qualora si renda necessaria una riparazione, rivolgersi ad un centro del Servizio Assistenza (a garanzia dell'utilizzo di pezzi di ricambio originali e di una corretta riparazione).

Per le linee guida, la documentazione standard e altre informazioni sui prodotti:

- Utilizzando il codice QR nel proprio apparecchio;
- Visitando il nostro sito web docs.indesit.eu;
- Oppure, **contattare il Servizio Assistenza Tecnica** (al numero di telefono riportato sul libretto di garanzia). Prima di contattare il Servizio Assistenza Clienti, prepararsi a fornire i codici riportati sulla targhetta matricola del prodotto.



⚠ Estas instruções são válidas se o símbolo do país constar no aparelho. Caso o símbolo não conste no aparelho é necessário consultar as instruções técnicas que fornecem as instruções necessárias relativamente às condições de utilização específicas do país.

⚠ **ATENÇÃO:** A utilização do aparelho de cozedura a gás resulta numa produção de calor, humidade e produtos da combustão no espaço onde o aparelho está instalado. Certifique-se de que a cozinha dispõe de uma boa ventilação, especialmente durante a utilização do aparelho: mantenha os orifícios de ventilação natural abertos ou instale um dispositivo de ventilação mecânico (exaustor mecânico). A utilização intensiva prolongada do aparelho pode requerer uma ventilação adicional como, por exemplo, a abertura de janelas ou até de uma ventilação mais eficiente, aumentando o nível de ventilação mecânica (se possível).

⚠ A estrita inobservância das instruções contidas no presente manual pode levar a uma explosão, causando danos pessoais ou à propriedade.

Antes de utilizar o aparelho, leia estas instruções de segurança com atenção. Guarde-as por perto para consulta futura.

As presentes instruções e o próprio aparelho possuem informações importantes relativas à segurança, as quais deverá ler e respeitar sempre. O fabricante não se responsabiliza por quaisquer acontecimentos decorrentes do incumprimento das presentes instruções de segurança, da utilização inadequada do aparelho ou da configuração incorreta dos respectivos controlos.

⚠ **AVISO:** Se a superfície da placa estiver rachada, não utilize o aparelho - risco de choque elétrico.

⚠ **AVISO:** Perigo de incêndio: não guarde objetos nas superfícies de cozedura.

⚠ **ATENÇÃO:** O processo de cozedura tem de ser vigiado. Os processos de cozedura de curta duração devem ser continuamente vigiados.

⚠ **AVISO:** A cozedura de alimentos com gorduras ou óleos numa placa sem vigilância pode ser perigosa - risco de incêndio. NUNCA tente apagar um incêndio com água. Desligue o aparelho e depois cubra a chama, por exemplo com uma tampa ou manta antifogo.

⚠ Não utilize a placa como superfície ou suporte de trabalho. Mantenha quaisquer peças de vestuário ou outros materiais inflamáveis afastados do aparelho até que todos os componentes deste tenham arrefecido completamente, pois existe risco de incêndio.

⚠ As crianças até aos 3 anos deverão manter-se afastadas do aparelho. As crianças entre os 3 e os 8 anos devem ser mantidas afastadas do aparelho, exceto se estiverem sob supervisão permanente. Este aparelho pode ser utilizado por crianças a partir dos 8 anos e por pessoas com capacidades físicas, sensoriais ou mentais reduzidas ou com falta de experiência e conhecimento, desde que estejam sob supervisão ou tenham recebido instruções quanto à utilização segura deste aparelho e se compreenderem os perigos envolvidos. As crianças não devem brincar com o aparelho. A limpeza e a manutenção a

cargo do utilizador não devem ser realizadas por crianças sem supervisão.

⚠ **ATENÇÃO:** Caso o vidro da placa se parta: desligue de imediato todos os queimadores e qualquer elemento de aquecimento elétrico e isole o aparelho da alimentação de corrente; não toque na superfície do aparelho; não utilize o aparelho.

A tampa de vidro pode partir-se caso seja exposta ao calor. Desligue todos os queimadores e placas elétricas antes de fechar a tampa. Não feche a tampa caso algum queimador esteja ligado.

⚠ **AVISO:** O aparelho e os seus componentes acessíveis ficam quentes durante o funcionamento. Deve ter-se cuidado para evitar tocar nos elementos quentes. Mantenha as crianças com idade inferior a 8 anos afastadas do aparelho a menos que estejam vigiadas em permanência.

⚠ Os alimentos não devem ser deixados dentro ou sobre o produto durante mais de uma hora, antes ou depois da cozedura.

UTILIZAÇÃO PERMITIDA

⚠ **ATENÇÃO:** o aparelho não deve ser ligado a partir de um dispositivo de comutação externa, como, por exemplo, um temporizador, nem a partir de um sistema de controlo remoto em separado.

⚠ Este aparelho destina-se a ser utilizado em ambiente doméstico e em aplicações semelhantes, tais como: copas para utilização dos funcionários em lojas, escritórios e outros ambientes de trabalho; quintas de exploração agrícola; clientes em hotéis, motéis, *bed & breakfast* e outros tipos de ambientes residenciais.

⚠ Estão proibidos outros tipos de utilização (por exemplo, aquecimento de divisões da casa).

⚠ Este aparelho não está concebido para o uso profissional. Não utilize o aparelho no exterior.

⚠ Utilize panelas e frigideiras com um diâmetro de base igual ou ligeiramente superior ao dos queimadores (consulte a tabela específica). Certifique-se de que os tachos nas grelhas não vão para além do rebordo da placa.

⚠ A utilização incorreta das grelhas pode causar danos à placa: não coloque as grelhas de cima para baixo nem as arraste sobre a placa.

⚠ Não deixe que a chama do queimador vá para além do rebordo do fundo da panela. Se a superfície da placa for em vidro, não utilize frigideiras em ferro fundido, pedras para grelhador, panelas de terracota ou çaçarolas.

⚠ Não utilize: Difusores de calor tais como malhas de metal, ou de qualquer outro tipo. Dois queimadores em simultâneo para um utensílio (por exemplo panela para peixe).

⚠ caso condições particulares do abastecimento de gás tornem difícil acender o queimador, recomendamos que repita a operação com o botão na posição da chama mais pequena.

⚠ Caso instale um exaustor por cima da placa, consulte as instruções do mesmo quanto à distância correta a manter entre ambos os aparelhos.

⚠ As bases de borracha de protecção situadas sob as grelhas constituem um perigo de sufocação para as crianças se forem engolidas. Após remover as grelhas, certifique-se de que todos os pés estão instalados corretamente.

INSTALAÇÃO

⚠ O aparelho deve ser transportado e instalado por duas ou mais pessoas - risco de lesões. Use luvas de protecção para desembalar e instalar o aparelho - risco de cortes.

⚠ As ligações do gás e elétricas devem estar em conformidade com os regulamentos locais.

⚠ A instalação, incluindo a alimentação de água (caso seja necessário) e as ligações elétricas, bem como quaisquer reparações devem ser realizadas por um técnico devidamente qualificado. Não repare nem substitua nenhuma peça do aparelho a não ser que tal seja especificamente indicado no manual de utilização. Mantenha as crianças afastadas do local da instalação. Depois de desembalar o aparelho, certifique-se de que este não foi danificado durante o transporte. Em caso de problemas, contacte o revendedor ou o Serviço Pós-Venda mais próximo. Uma vez instalado o aparelho, os elementos da embalagem (plástico, peças de esferovite, etc.) devem ser armazenados longe do alcance das crianças - risco de asfixia. Deve desligar o aparelho da corrente elétrica antes de efetuar qualquer operação de instalação - risco de choques elétricos. Durante a instalação, certifique-se de que o aparelho não danifica o cabo de alimentação - risco de incêndio ou de choques elétricos. Ligue o aparelho apenas depois de concluída a instalação do mesmo.

⚠ **AVISO:** a alteração do aparelho e do seu método de instalação são essenciais para uma utilização segura e correta do mesmo em todos os países adicionais.

⚠ Utilize reguladores de pressão adequados à pressão do gás indicada nas Instruções.

⚠ O espaço deve dispor de um sistema de extração de ar que expulse os gases de combustão.

⚠ Além disso, o espaço deve dispor também de uma circulação de ar adequada, uma vez que é necessário existir ar para que a combustão ocorra normalmente. O fluxo de ar não deve ser inferior a 2 m³/h por kW de potência instalada.

⚠ O sistema de circulação de ar pode transportar o ar diretamente a partir do exterior através de um tubo com uma secção transversal interna com pelo menos, 100 cm²; esta abertura não deve estar vulnerável a quaisquer tipos de obstruções.

⚠ O sistema poderá fornecer o ar necessário à combustão de forma indireta, ou seja, a partir das divisões adjacentes que disponham de tubos de circulação de ar, como descrito acima. Contudo, estas divisões não deverão ser espaços comuns, quartos de dormir ou divisões que apresentem risco de incêndio.

⚠ O gás de petróleo liquefeito dissipa-se no chão, uma vez que é mais pesado do que o ar. Como tal, as divisões contendo botijas de GPL também devem dispor de ventilação para permitir a libertação do gás em caso de fuga. Deste modo, as botijas de GPL, quer estejam parcialmente ou totalmente cheias, não devem ser instaladas ou armazenadas em espaços ou áreas de armazenamento que estejam abaixo do nível do solo (caves, etc.). É recomendável que mantenha na divisão apenas a botija em utilização, posicionado de forma a que não esteja sujeita ao calor produzido por fontes externas (fornos, lareiras, fogões, etc.), o que pode levar a um aumento da temperatura da botija para valores superiores a 50 °C.

Se tiver dificuldade ao rodar os botões dos queimadores, contacte o Serviço Pós-Venda a fim de proceder à substituição da tampa do queimador, caso verifique que está danificada. As aberturas utilizadas para realizar a ventilação e dispersão do calor nunca devem ser cobertas.

⚠ Execute todos os trabalhos de corte no móvel antes de instalar o aparelho e remova todas as lascas de madeira e a serradura.

⚠ Caso o aparelho não seja instalado sobre um forno, deverá instalar um painel de separação (não incluído) no compartimento localizado sob o aparelho.

LIGAÇÃO DO GÁS

⚠ **AVISO:** Antes da instalação, certifique-se de que as condições de distribuição local (tipo de gás e pressão do gás) e a configuração do aparelho são compatíveis.

⚠ Assegure-se de que a pressão do fornecimento de gás é consistente com os valores indicados na Tabela "Especificações dos queimadores".

⚠ **AVISO:** As condições de configuração para este aparelho encontram-se indicadas na tabela (ou na placa de características).

⚠ **AVISO:** este aparelho não está ligado a um dispositivo de extração de produtos de combustão. Este deve ser instalado e ligado de acordo com os regulamentos de instalação em vigor. Deve ser tomada atenção especial aos requisitos relevantes relativos à ventilação.

⚠ Caso o aparelho esteja ligado a gás liquefeito, o parafuso de regulação deve ser apertado tanto quanto possível.

⚠ **IMPORTANTE:** Quando utiliza uma botija de gás, esta deve ser colocada adequadamente (na posição vertical).

⚠ **AVISO:** esta operação deve ser realizada por um técnico qualificado.

⚠ Para a ligação do gás, utilize apenas uma mangueira flexível ou rígida de metal.

⚠ Ligação a um tubo rígido (cobre ou aço) A ligação ao sistema de gás deve ser efetuada de forma a não sobrecarregar nenhum outro eletrodoméstico. Existe um encaixe ajustável ao tubo em forma de L na fonte de alimentação do aparelho e este está equipado com uma vedação para evitar quaisquer fugas. A vedação deve ser substituída após a rotação do conector (a vedação vem fornecida com o aparelho). A junta do tubo de entrada de gás tem rosca de 1/2 gás macho cilíndrica.

⚠ Ligação de um tubo de aço inoxidável sem juntas flexíveis para um acessório roscado. O encaixe do tubo de fornecimento de gás é um acessório roscado 1/2 gás macho cilíndrico. A instalação destes tubos deve ser efetuada de maneira que o seu comprimento, em condições de máxima extensão, não seja maior de 2000 mm. Quando a ligação estiver terminada, assegure-se de que o tubo metálico flexível não entre em contacto com as partes móveis ou fique amassado. Utilize exclusivamente tubos e guarnições de retenção em conformidade com as normas nacionais em vigor.

⚠ **IMPORTANTE:** se usar um tubo de aço inoxidável, este deve ser instalado de forma a não tocar em qualquer parte móvel do armário (p. ex., numa gaveta). Este deve passar por uma área onde não existam obstruções e onde seja possível inspecioná-lo a todo o seu comprimento.

⚠ O aparelho deve estar ligado ao fornecimento de gás principal ou à botija de gás, em conformidade com as normas nacionais atuais. Antes de efetuar a ligação certifique-se de que o aparelho é compatível com o fornecimento de gás que pretende utilizar. Se não for o caso, siga as instruções indicadas no parágrafo "Adaptar a diferentes tipos de gás".

⚠ Após a ligação ao abastecimento de gás, procure se existem fugas usando água com detergente. Ligue os queimadores e

rode os botões da posição máx. 1* para a posição mínima 2* para verificar a estabilidade da chama.

ADAPTAR A DIFERENTES TIPOS DE GÁS

(Esta operação deve ser efetuado por um técnico qualificado).

⚠ Para adaptar o aparelho a um tipo de gás diferente do tipo para o qual foi fabricado (indicado na etiqueta de classificação), siga as etapas específicas fornecidas após as figuras relativas à instalação.

AVISOS RELATIVOS À ELETRICIDADE

⚠ **IMPORTANTE:** os dados relevantes sobre voltagem e absorção de energia estão indicados na placa de características.

⚠ O cabo de alimentação deve ser suficientemente comprido para ligar o aparelho à tomada elétrica da parede, depois de instalado no respetivo lugar. Não puxe o cabo de alimentação.

⚠ Deve ser possível desligar o aparelho da fonte de alimentação, desligando-o na ficha, caso esta esteja acessível, ou através de um interruptor multipolar instalado na tomada de acordo com a regulamentação aplicável a ligações elétricas; além disso, o aparelho deve dispor de ligação à terra, de acordo com as normas de segurança elétrica nacionais.

⚠ Não utilize adaptadores, fichas múltiplas ou extensões. Após a instalação do aparelho, os componentes elétricos devem estar inacessíveis ao utilizador. Não utilize o aparelho com os pés descalços ou molhados. Não ligue este aparelho se o cabo ou a ficha elétrica apresentar danos, se não estiver a funcionar corretamente, se estiver danificado ou se tiver caído.

⚠ Se o cabo de alimentação estiver danificado deverá ser substituído por um idêntico pelo fabricante ou por um técnico de assistência ou pessoas similarmente qualificadas de modo a evitar a ocorrência de situações perigosas, pois existe o risco de choques elétricos.

LIMPEZA E MANUTENÇÃO

⚠ **AVISO:** Assegure-se de que o aparelho está desligado da fonte de alimentação antes de realizar quaisquer operações de manutenção; nunca use uma máquina de limpeza a vapor para limpar o aparelho - risco de choques elétricos.

⚠ Não utilize produtos abrasivos ou corrosivos, produtos de limpeza à base de cloro, ou esfregões da louça.

⚠ Para evitar danificar o isqueiro elétrico, não o utilize quando os queimadores não estiverem instalados.

ELIMINAÇÃO DA EMBALAGEM


O material da embalagem é 100% reciclável, conforme indicado pelo símbolo de reciclagem .

As várias partes da embalagem devem ser eliminadas de forma responsável e em total conformidade com as normas estabelecidas pelas autoridades locais.

ELIMINAÇÃO DE ELETRODOMÉSTICOS

Este aparelho é fabricado com materiais recicláveis ou reutilizáveis. Elimine-o em conformidade com as normas de eliminação de resíduos locais. Para obter mais informações sobre o tratamento, recuperação e reciclagem de eletrodomésticos, contacte as autoridades locais, o serviço de recolha de resíduos domésticos ou a loja onde adquiriu o aparelho. Este aparelho está classificado em conformidade com a Diretiva Europeia 2012/19/UE relativa aos Resíduos de Equipamentos Elétricos e Eletrónicos (REEE) e com os regulamentos referentes à gestão de resíduos de equipamentos elétricos e eletrónicos de 2013 (conforme alteração).

Ao assegurar a eliminação correta deste produto, estamos a proteger o ambiente e a saúde humana contra riscos negativos.

O símbolo  no produto, ou nos documentos que acompanham o produto, indica que este aparelho não deve ser tratado como resíduo doméstico e deve ser transportado para um centro de recolha adequado para proceder à reciclagem do equipamento elétrico e eletrónico.

SUGESTÕES PARA POUPAR ENERGIA

Utilize panelas e frigideiras com um diâmetro de base igual ao da superfície de cozedura.

Utilize apenas panelas e frigideiras com fundo plano.

Se possível, mantenha as panelas tapadas durante a cozedura.

Utilize uma panela de pressão para poupar ainda mais energia e tempo.

DECLARAÇÃO DE CONFORMIDADE

Este aparelho cumpre os requisitos de conceção ecológica do regulamento europeu n.º 66/2014, os requisitos de conceção ecológica dos produtos relacionados com o consumo de energia e o regulamento sobre as informações energéticas (alteração) (saída UE) de 2019 em conformidade com a norma europeia EN 30-2-1.

Tipo de gás utilizado	Tipo de queimador	Marca do injetor	Fluxo térmico anunciado kW	Consumo anunciado	Capacidade reduzida de calor kW	Pressão do gás mbar		
						min.	anunc.	máx.
GÁS NATURAL (Metano) G20	Rápido (R)	128 B	3,00	286 l/h	0,70	17	20	25
	Semi-rápido (SR)	97 A	1,65	157 l/h	0,40			
	Auxiliar (AUX)	78 A	1,00	95 l/h	0,40			
GÁS DE PETRÓLEO LIQUEFEITO (Butano) G30	Rápido (R)	85 A	3,00	218 g/h	0,70	20	28-30	35
	Semi-rápido (SR)	66 A	1,65	120 g/h	0,40			
	Auxiliar (AUX)	50	1,00	73 g/h	0,40			
GÁS DE PETRÓLEO LIQUEFEITO (Propano) G31	Rápido (R)	85 A	3,00	214 g/h	0,70	25	37	45
	Semi-rápido (SR)	66 A	1,65	118 g/h	0,40			
	Auxiliar (AUX)	50	1,00	71 g/h	0,40			

Tipo de gás utilizado	Configuração do modelo 4 QUEIMADORES	Taxa de fluxo térmico nominal (kW)	Consumo total nominal	Ar necessário (m³) para queimar 1m³ de gás
G20 20 mbar	1R - 2SR - 1AUX	7,30	695 l/h	9,52
G30 28-30 mbar	1R - 2SR - 1AUX	7,30	531 g/h	30,94
G31 37 mbar	1R - 2SR - 1AUX	7,30	521 g/h	23,80

CORRENTE ELÉCTRICA: 220-240 V ~ 50-60 Hz - 1,1 W

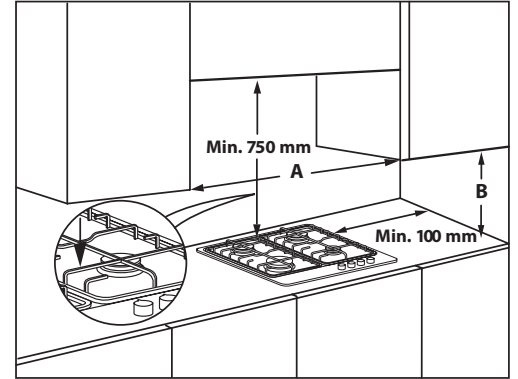
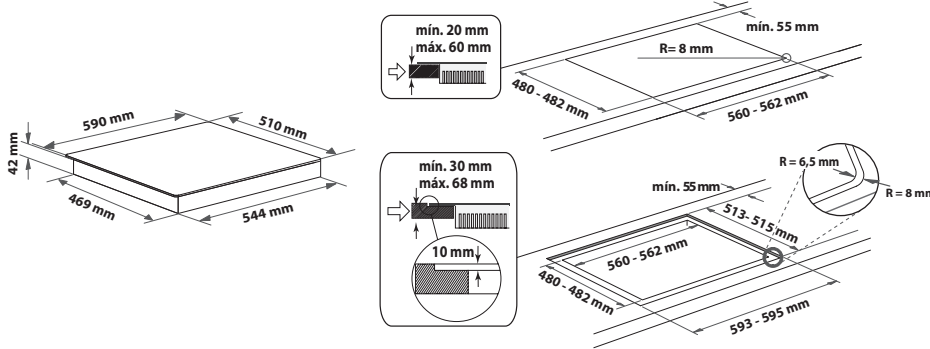


INSTALAÇÃO (CLASSE 3)

INFORMAÇÃO TÉCNICA PARA QUEM INSTALAR A PLACA

- Utilize luvas de proteção quando manusear, preparar e instalar o produto.
- Este produto pode ser encastrado numa bancada com 20 a 60 mm de espessura, com instalação padrão. Para instalação embutida 30 ÷ 68 mm.
- Se não for inserido um forno sob a placa, insira um painel separador com uma superfície no mínimo igual à abertura existente no tampo. Este painel deve ser colocado a uma distância máxima de 150 mm abaixo da superfície superior da bancada, mas nunca a menos de 20 mm do fundo da placa. Caso pretenda instalar um forno sob a placa, certifique-se de que este está equipado com um sistema de arrefecimento.

DIMENSÕES E DISTÂNCIAS A SEREM MANTIDAS



Antes de aplicar o silicone, certifique-se de que a placa está centrada no contorno

NOTA: se a distância "A" entre a parede dos armários for entre 600 mm e 730 mm, a altura "B" terá de ser, no mínimo, de 530 mm. Se a distância "A" entre a parede dos armários for maior do que a largura da placa, a altura "B" terá de ser, no mínimo, de 400 mm. Em caso de instalação de um exaustor por cima da placa, consulte as instruções do exaustor para uma distância correcta.

MONTAGEM

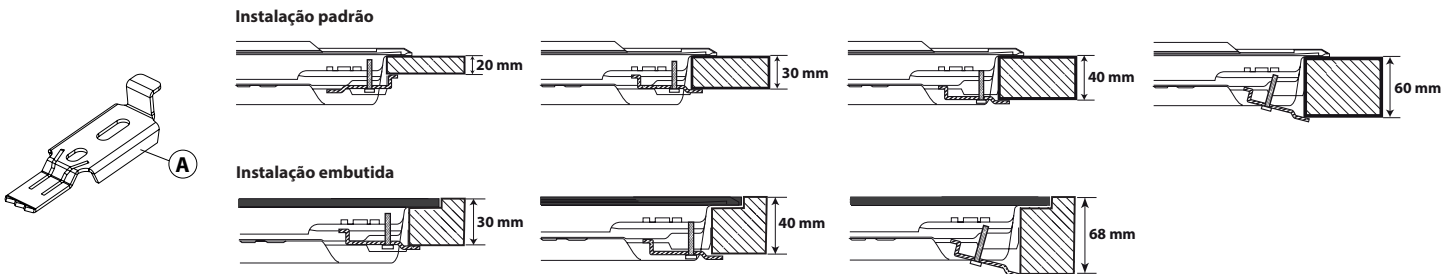
Depois de limpar a superfície periférica, aplique a junta fornecida na placa conforme indicado na figura.

Posicione a placa sobre a abertura da bancada que foi feita respeitando as dimensões indicadas nas Instruções.

NOTA: o cabo de alimentação deve ser suficientemente longo para permitir ser extraído para cima.



Para fixar a placa, utilize os suportes (A) fornecidos. Fixe os suportes nos respectivos orifícios indicados pelas setas e aperte-os com os respectivos parafusos de acordo com a espessura da bancada (consulte as figuras seguintes).

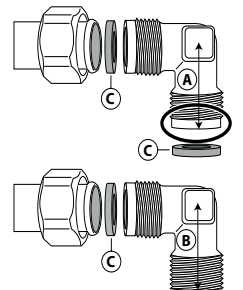


LIGAÇÃO DO GÁS

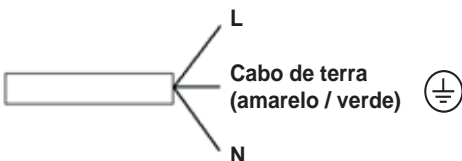
- Ligue o cotovelo (A)* ou (B)* fornecido, ao tubo de entrada principal da placa e introduza a anilha (C) fornecida, em conformidade com EN 549.*

*O cotovelo (A) deve ser usado em França e o cotovelo (B) em todos os outros países.

- Após a ligação ao abastecimento de gás, procure se existem fugas usando água com detergente. Ligue os queimadores e rode os botões desde a posição máxima até à posição mínima para verificar a estabilidade da chama.



LIGAÇÃO ELÉCTRICA



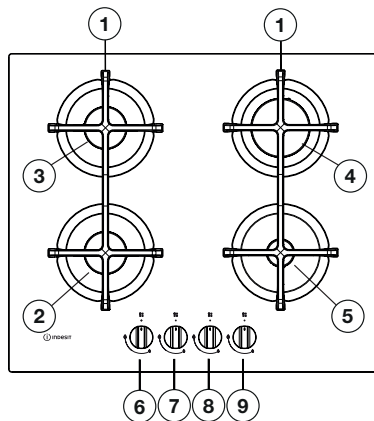
**OBRIGADO POR COMPRAR UM PRODUTO INDESIT**

Para beneficiar de uma assistência mais completa, registre o seu produto em www.indesit.com/register.



Leia as instruções de segurança com atenção antes de usar o aparelho.

EFETUE A LEITURA DO CÓDIGO QR NO SEU APARELHO PARA OBTER MAIS INFORMAÇÕES

**DESCRIÇÃO DO PRODUTO**

1. Grelhas amovíveis
2. Queimador semirrápido
3. Queimador semirrápido
4. Queimador rápido
5. Queimador auxiliar
6. Botão de controlo do queimador semirrápido
7. Botão de controlo do queimador semirrápido
8. Botão de controlo do queimador rápido
9. Botão de controlo do queimador auxiliar

Símbolos

- Círculo sombreado ● Torneira fechada
- Chama grande Abertura/saída máxima e acendedor elétrico
- Chama pequena Abertura mínima ou saída reduzida

UTILIZAÇÃO DIÁRIA**COMO UTILIZAR A PLACA**

Não deixe que a chama do queimador vá para além do rebordo do fundo da panela.

IMPORTANTE: quando a placa está a ser usada, toda a área da placa pode estar quente.

- Para acender um dos queimadores, rode o respetivo botão no sentido inverso ao dos ponteiros do relógio até à posição de chama máxima.
- Carregue no botão contra o painel de controlo para ativar o isqueiro.
- Após acender o queimador, mantenha o botão premido durante cerca de 5-10 segundos para permitir uma operação correta do dispositivo.
- Este dispositivo de segurança do queimador desliga o abastecimento de gás até ao queimador caso a chama se apague acidentalmente (devido a uma súbita corrente de ar, interrupção no abastecimento de gás, líquidos que saíram por fora ao ferver, etc.).
- Não deve premir o botão durante mais do que 15 segundos. Se, após esse tempo, o queimador não se mantiver aceso, espere pelo menos um minuto antes de o tentar acender de novo.

NOTA: caso condições particulares do abastecimento de gás tornem difícil acender o queimador, recomendamos que repita a operação com o botão na posição da chama mais pequena.

O queimador pode apagar-se quando solta o botão. Isto significa que o dispositivo de segurança não aqueceu o suficiente. Neste caso, repita as operações descritas acima.

Se apagar-se acidentalmente a chama do queimador feche o botão de comando e tente acender novamente somente após um minuto no mínimo.

CONSELHOS PRÁTICOS PARA UTILIZAÇÃO DOS QUEIMADORES

Esta placa possui queimadores de diferentes diâmetros. Para um melhor desempenho, cumpra as seguintes regras:

- Utilize panelas e frigideiras que tenham um fundo com a mesma largura dos queimadores ou ligeiramente maior (consulte a tabela à direita).
- Utilize apenas panelas e frigideiras com fundo plano.
- Utilize a quantidade correta de água quando cozinhar alimentos, mantendo o tacho tapado.
- Certifique-se de que os tachos nas grelhas não vão para além do rebordo da placa.
- No caso de panelas com fundos convexos (WOK), utilize a grelha de suporte fornecida, que deve ser colocada apenas no queimador multianéis.
- Evitar batidas acidentais com panelas, grades ou outros utensílios da cozinha.
- Não deixar frigideiras vaziar somber o fogão aceso por mais de 5 minutos.

IMPORTANTE: uma utilização incorreta das grelhas pode originar danos na placa: não coloque as grelhas de cima para baixo nem as arraste sobre a placa.

QUEIMADOR	Ø PANELA
Rápido	Entre 24 e 26 cm
Semi-rápido	Entre 16 e 20 cm
Auxiliar	Entre 8 e 14 cm

Não utilize:

- frigideiras de ferro fundido, pedras para grelhador, potes e panelas de terracota;
- difusores de calor tais como malhas de metal, ou de qualquer outro tipo;
- dois queimadores em simultâneo para um utensílio (por exemplo panela para peixe).

Líquidos derramados na área da placa quente podem causar danos ao vidro.

ADAPTAR A DIFERENTES TIPOS DE GÁS

Esta operação deve ser realizada por um técnico qualificado.

Se o aparelho vai ser usado com um tipo de gás diferente do que está indicado na placa de características e etiqueta de informações no topo da placa, mude os injetores.

Retire a etiqueta de informações e guarde-a com o livro de instruções.

Utilize reguladores de pressão adequados à pressão do gás indicada nas Instruções:

- o injetor de gás deve ser trocado pelo Serviço Pós-Venda ou por um técnico qualificado;
- o injetor não fornecido com o aparelho deve ser encomendado ao Serviço Pós-Venda;
- ajuste a definição mínima das torneiras.

NOTA: quando é usado gás de petróleo líquido (G30/G31), o parafuso de ajuste de saída mínima de gás, deve ser apertado o máximo possível.

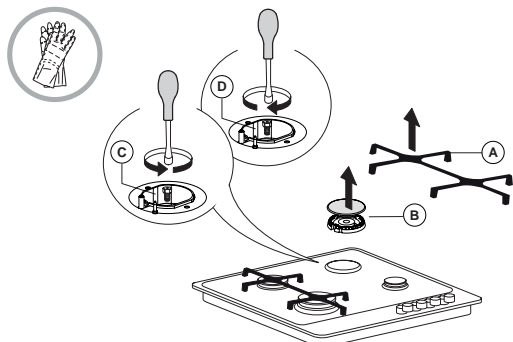
IMPORTANTE: se tiver dificuldade em rodar os botões dos queimadores, contacte o Serviço Pós-Venda para substituir a torneira do queimador caso tenha algum defeito.

IMPORTANTE: quando utiliza uma botija de gás, esta deve ser colocada devidamente (na posição vertical).

SUBSTITUIR OS INJETORES (consulte a tabela de injetores nas Instruções de segurança)

⚠ Esta operação deve ser realizada por um técnico qualificado.

- Retire as grelhas (A).
- Extraia os queimadores (B).
- Utilizando uma chave sextavada do tamanho adequado, desaperte o injetor (C), desaperte o injetor que quer substituir.
- Substitua-o pelo injetor adequado ao novo tipo de gás.
- Torne a montar o injetor em (D).



Antes de instalar a placa, não se esqueça de afixar a placa de calibração do gás fornecida com os injetores, de forma que esta cubra a informação anterior relativa à calibração de gás.

LIMPEZA E MANUTENÇÃO

⚠ Desligue o aparelho da corrente elétrica.

LIMPAR A SUPERFÍCIE DA PLACA

- Todas as partes de esmaltadas e de vidro, devem ser limpas com água quente e uma solução neutra.
- As superfícies em aço inoxidável podem ficar manchadas por água calcária ou detergentes agressivos, se ficarem em contacto com estes durante muito tempo. Qualquer alimento derramado (água, molho, café, etc.) deve ser limpo antes que seque.
- Limpe com água quente e detergente neutro e, de seguida, seque com um pano macio ou camurça. Retire a sujidade acumulada com produtos de limpeza específicos para superfícies de aço inoxidável.

NOTA: limpe o aço inoxidável apenas com um pano macio ou com uma esponja.

- Não utilize produtos abrasivos ou corrosivos, produtos de limpeza à base de cloro, ou esfregões da louça.
- Não utilize aparelhos de limpeza a vapor.
- Não utilize produtos inflamáveis.
- Não deixe substâncias ácidas ou alcalinas, tais como vinagre, mostarda, sal, açúcar ou sumo de limão, sobre a placa de fogão.

RESOLUÇÃO DE PROBLEMAS

Se a placa não funcionar devidamente, antes de contactar o Serviço Pós-Venda, consulte o Guia para Resolução de Problemas para determinar qual o problema.

1. O queimador não acende ou a chama não é regular

Verifique se:

- o abastecimento de gás ou energia elétrica não estão desligados, e especialmente se a torneira de segurança do gás está aberta.
- a botija de gás (gás líquido) não está vazia;
- as aberturas do queimador não estão entupidas;
- a extremidade do acendedor não está suja;
- todas as partes do queimador estão posicionadas corretamente;
- não existem correntes de ar perto da placa.

2. O queimador não se mantém aceso

Verifique se:

- quando acende o queimador, o botão foi premido o tempo suficiente para ativar o dispositivo de proteção;
- as aberturas do queimador não estão entupidas perto do par termoelétrico;
- a extremidade do dispositivo de segurança não está suja;
- a saída mínima de gás está corretamente ajustada (consulte o parágrafo relevante)

AJUSTAR A SAÍDA MÍNIMA DE GÁS DAS TORNEIRAS

⚠ Esta operação deve ser realizada por um técnico qualificado.

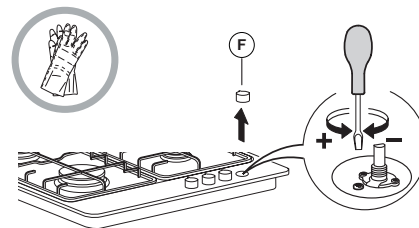
Os ajustes devem ser realizados com o botão na posição de mínimo (chama pequena).

O ar primário dos queimadores não precisa de ser ajustado.

Para garantir que a saída mínima está corretamente ajustada, retire o botão (F) e faça o seguinte:

- aperte o parafuso para reduzir a altura da chama (-);
- solte o parafuso para aumentar a altura da chama (+).

Nesta fase, ligue os queimadores e rode os botões desde a posição máxima até à posição mínima para verificar a estabilidade da chama.



Quando terminar o ajuste, torne a selar usando cera ou um material equivalente.

LIMPAR AS PARTES DA PLACA

- Limpe o vidro e as partes esmaltadas apenas com um pano macio ou uma esponja.
- Grelhas, tampas dos queimadores e queimadores, podem ser retirados para limpeza.
- Limpe-os manualmente com água quente e detergente não abrasivo, removendo quaisquer resíduos de alimentos e verificando se nenhum dos orifícios do queimador está entupido.
- Enxague e seque.
- **As grelhas de ferro fundido podem ser lavadas na máquina de lavar loiça. Remova quaisquer vestígios de alimentos queimados antes de colocar as grelhas na prateleira inferior da máquina de lavar loiça.**
- Tome a colocar os queimadores e as tampas corretamente nos respetivos locais.
- Quando tornar a colocar as grelhas, certifique-se de que a área onde assentam as panelas está alinhada com o queimador.
- Os modelos equipados com isqueiro elétrico e dispositivo de segurança, exigem uma limpeza mais aprofundada da extremidade do acendedor para garantir uma operação correta. Verifique estas partes frequentemente e, se necessário, limpe-as com um pano húmido. Quaisquer restos de alimentos devem ser retirados com um palito ou uma agulha.

NOTA: Para evitar danificar o isqueiro elétrico, não o utilize quando os queimadores não estiverem instalados.

3. Os recipientes não estão estáveis

Verifique se:

- o fundo do recipiente é perfeitamente plano;
- o recipiente está centrado sobre o queimador;
- as grelhas não foram trocadas ou posicionadas incorretamente.

Se, após efetuar as verificações acima indicadas, o problema persistir, contacte o Serviço Pós-Venda mais próximo.

SERVIÇO PÓS-VENDA

Para beneficiar de uma assistência mais completa, registre o seu produto em www.indesit.com/register.

ANTES DE CONTACTAR O SERVIÇO PÓS-VENDA:

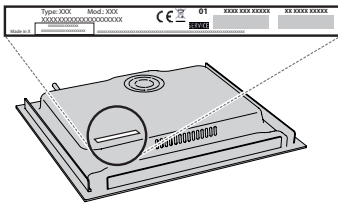
1. Tente solucionar o problema sozinho com a ajuda das sugestões fornecidas na secção de **RESOLUÇÃO DE PROBLEMAS**.
2. Desligue e volte a ligar o aparelho para verificar se o problema ficou resolvido.

SE O PROBLEMA PERSISTIR APÓS ESSAS VERIFICAÇÕES, CONTACTE O SERVIÇO PÓS-VENDA MAIS PRÓXIMO.

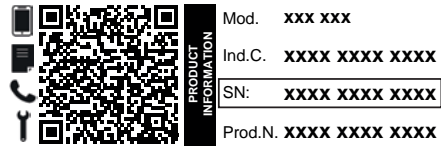
Para receber assistência, contacte o número indicado no livrete da garantia ou siga as instruções existentes no site www.indesit.com.

Quando contactar o nosso Serviço de Pós-venda indique sempre:

- uma breve descrição da anomalia;
- o tipo e o modelo exato do aparelho;



- o número de série (número situado após a palavra SN na chapa de características localizada por baixo do aparelho). O número de série também se encontra indicado na documentação;



- a sua morada completa;
- o seu número de telefone.

Se for necessário efetuar alguma reparação, contacte um Serviço de Assistência Técnica autorizado (para garantir a utilização de peças sobressalentes originais e uma reparação correta).

As políticas, a documentação padrão e as informações de produto adicionais poderão ser consultadas:

- Utilizar o código QR no seu aparelho;
- Visitando o nosso website docs.indesit.eu;
- Em alternativa, **contacte o nosso Serviço Pós-venda** (através do número de telefone contido no livrete da garantia). Ao contactar o nosso Serviço Pós-Venda, indique os códigos fornecidos na placa de identificação do seu produto.



⚠ Tyto pokyny platí v případě, pokud je na spotřebiči uveden symbol země. Pokud takový symbol na přístroji není, je třeba nahlédnout do technických pokynů, kde naleznete potřebné informace týkající se úpravy nastavení spotřebiče na podmínky pro používání v dané zemi.

⚠ **UPOZORNĚNÍ:** Použití plynového sporáku vede k produkci tepla, vlhkosti a produktů spalování v místnosti, ve které je instalován. Ujistěte se, že je kuchyň dobře větraná, zvláště je-li spotřebič v provozu: ponechte otevřené otvory pro přirozenou ventilaci, nebo nainstalujte mechanické ventilační zařízení (mechanickou odtahovou digestoř). Dlouhé a intenzivní používání přístroje může vyžadovat další způsob větrání, například otevření okna, popřípadě efektivnější ventilaci zvýšením úrovně mechanické ventilace tam, kde je k dispozici.

⚠ Pokud se nebudete přesně řídit informacemi v této příručce, může dojít k požáru nebo výbuchu s následkem poškození majetku nebo zranění osob.

Před použitím spotřebiče si přečtěte tyto bezpečnostní pokyny. Mějte je při ruce pro účely pozdějšího použití.

V těchto pokynech a na samotném spotřebiči jsou uvedena důležitá bezpečnostní upozornění, která je třeba za všech okolností dodržet. Výrobce odmítá nést jakoukoli odpovědnost za poruchy, které byly způsobeny nedodržením bezpečnostních pokynů, nevhodným používáním spotřebiče nebo nesprávným nastavením ovladačů.

⚠ **VÝSTRAHA:** Pokud je varný povrch popraskaný, zařízení nepoužívejte. Riziko elektrického šoku.

⚠ **VÝSTRAHA:** Nebezpečí požáru: Na varném povrchu neskladujte žádné předměty.

⚠ **UPOZORNĚNÍ:** Proces vaření musí probíhat pod kontrolou. Krátké vaření musí být neustále monitorováno.

⚠ **VÝSTRAHA:** Vaření pokrmů s obsahem tuku nebo oleje bez dozoru na varné desce může být nebezpečné. Riziko požáru! NIKDY se nepokoušejte hasit oheň vodou. Spotřebič vypněte a pak plamen přikryjte pokličkou nebo hasicí dekou.

⚠ Varnou plochu nepoužívejte jako pracovní plochu nebo oporu. Do blízkosti spotřebiče nepokládejte oděvy nebo jiné hořlavé materiály, dokud veškeré součásti zcela nevychladnou. Riziko požáru!

⚠ Velmi malé děti (0–3 roky) je třeba držet v bezpečné vzdálenosti od spotřebiče. Malé děti (3–8 let) by se neměly ke spotřebiči přibližovat, pokud nejsou pod dozorem. Děti starší 8 let a osoby s fyzickým, smyslovým či duševním postižením nebo bez patřičných zkušeností a znalostí mohou tento spotřebič používat pouze pod dohledem nebo tehdy, pokud obdržely informace o bezpečném použití spotřebiče a rozumějí rizikům, která s jeho používáním souvisejí. Nedovolte dětem, aby si se spotřebičem hrály. Nedovolte dětem, aby bez dohledu prováděly čištění a běžnou údržbu spotřebiče.

⚠ **UPOZORNĚNÍ:** V případě, že praskne sklo plotýnky: okamžitě vypněte všechny hořáky a všechny elektrické topné články a odpojte spotřebič od elektrické sítě, nedotýkejte se povrchu spotřebiče, spotřebič nepoužívejte.

Skleněné víko se při zahřátí může rozlomit. Před zavřením víka vypněte všechny hořáky a elektrické ploténky. Víko nezavírejte, pokud hořák hoří.

⚠ **VÝSTRAHA:** Spotřebič a jeho přístupné součásti se při použití zahřívají. Je třeba dbát opatrnosti, abyste se nedotkli topných těles. Děti mladší 8 let se nesmějí ke spotřebiči přibližovat, pokud nejsou pod dohledem dospělé osoby.

⚠ Jídlo nesmí zůstat uvnitř výrobku nebo být na výrobku položeno déle než jednu hodinu před jeho tepelnou úpravou či po jejím dokončení.

POVOLENÉ POUŽITÍ

⚠ **UPOZORNĚNÍ:** Tento spotřebič není určen k řízení pomocí externího zařízení, jako je např. časovač, nebo samostatného systému dálkového ovládání.

⚠ Tento spotřebič je určen k použití v domácnostech a zařízeních, jako jsou: kuchyňské kouty pro zaměstnance v obchodech, kancelářích a na jiných pracovištích; statky; klienty hotelů, motelů, zařízení typu „bed & breakfast“ a jiných rezidenčních prostředích.

⚠ Není přípustné jej používat jiným způsobem (např. k vytápění místnosti).

⚠ Tento spotřebič není určen k profesionálnímu použití. Spotřebič nepoužívejte venku.

⚠ Používejte nádoby s průměrem dna stejným, jako je průměr varné zóny hořáku, nebo jen nepatrně větším (viz zvláštní tabulka). Dbejte na to, aby nádoby na mřížce nepřesahovaly okraj varné desky.

⚠ Nevhodné použití mřížek může plotnu poškodit: Nepokládejte mřížky na varnou desku obráceně ani je po desce neposouvejte.

Plamen hořáku nesmí přesahovat za okraj dna hrnce či pánve. Pokud je povrch varné desky vyroben ze skleněného materiálu, nepoužívejte litinové rošty, keramické kameny a terakotové hrnce nebo pánve.

Nepoužívejte: rozptylovače tepla, jako jsou kovové mřížky apod.; dva hořáky současně na jednu nádobu (např. hrnec na ryby).

Pokud konkrétní místní podmínky dodávky plynu znesnadňují zapálení hořáku, doporučujeme zopakovat postup s ovladačem nastaveným na malý plamen.

V případě instalace digestoře nad horní panel sporáku naleznete údaje o správné vzdálenosti digestoře od panelu sporáku v návodu k digestoři.

Malé děti by se při hře s ochrannými gumovými nožičkami na mřížkách mohly udusit. Po odstranění mřížek se prosím ujistěte, že všechny patky jsou správně nasazeny.

INSTALACE

⚠ Stěhování a instalace spotřebiče vyžaduje minimálně dvě osoby – nebezpečí zranění. Při rozbalování a instalaci používejte ochranné rukavice – nebezpečí pořezání.

⚠ Připojení elektřiny a plynu musí být v souladu s místními předpisy.

⚠ Instalaci, včetně připojení přívodu vody (pokud nějaký existuje) a elektřiny, a opravy musí provádět kvalifikovaný technik. Neopravujte ani nevyměňujte žádnou část

spotřebiče, pokud to není výslovně uvedeno v návodu k použití. Nedovolte dětem, aby se přibližovaly k místu instalace. Po vybalení spotřebiče se přesvědčte, že nebyl při dopravě poškozen. V případě problémů se obraťte na prodejce nebo na nejbližší servisní středisko. Po instalaci musí být obalový materiál (plasty, polystyrenová pěna atd.) uložen mimo dosah dětí – nebezpečí udušení. Před zahájením instalace je nutné spotřebič odpojit od elektrické sítě – nebezpečí úrazu elektrickým proudem. Během instalace se ujistěte, že zařízení nepoškozuje napájecí kabel – nebezpečí požáru a úrazu elektrickým proudem. Zařízení nezapínejte, dokud nebyla ukončena instalace.

⚠ **VÝSTRAHA:** Modifikace spotřebiče a způsob jeho instalace mají za účelem bezpečného a správného používání spotřebiče ve všech dalších zemích zásadní důležitost.

⚠ Používejte regulátory tlaku vhodné pro tlak plynu uvedený v pokynech.

⚠ Místnost musí být vybavena systémem odsávání vzduchu, který vypudí veškeré spaliny. Může to být digestoř nebo elektrický ventilátor, které se zapnou automaticky s každým zapnutím spotřebiče.

⚠ Místnost musí také umožňovat správnou cirkulaci vzduchu, protože ten je zapotřebí k tomu, aby spalování probíhalo normálně. Průtok vzduchu nesmí být nižší než 2 m³/h na kW instalovaného výkonu.

⚠ Systém cirkulace vzduchu může odebírat vzduch přímo zvenčí, a to pomocí trubky s vnitřním průřezem alespoň 100 cm²; otvor nesmí být náchylný k zablokování.

⚠ Systém může vzduch potřebný pro spalování dodávat rovněž nepřímo, tj. z přilehlých místností vybavených vzduchovými cirkulačními trubkami, jak je popsáno výše. Nesmí se však jednat o prostory, jako jsou společenské místnosti, ložnice nebo místnosti, které představují nebezpečí požáru.

⚠ Kapalný ropný plyn klesá k podlaze, neboť je těžší než vzduch. Proto musí být místnosti, ve kterých se nacházejí láhve s LPG, rovněž vybaveny větracími otvory, které umožní odvětrání plynu v případě jeho úniku. V důsledku toho nesmí být láhve s LPG, ať již částečně či zcela naplněné, instalovány nebo skladovány v místnostech nebo skladovacích prostorech, které se nacházejí pod úrovní země (ve sklepech apod.). Doporučujeme vám ponechat v místnosti pouze láhev, kterou právě používáte a která je umístěna tak, aby nebyla vystavena působení tepla ze strany externích zdrojů (trub, krbů, sporáků atd.), jejichž prostřednictvím by mohlo dojít ke zvýšení teploty láhve nad 50 °C.

Pokud jdou ovladače hořáků otáčet jen ztuhla, obraťte se prosím na náš poprodejní servis; v případě shledání závady bude nutné ventil hořáku vyměnit. Otvory používané pro větrání a rozptylování tepla se nikdy nesmí zakrývat.

⚠ Je-li nutné skříňku, do které bude zařízení umístěno, přizpůsobit, proveďte tyto práce ještě předtím, než jej do skříňky zasunete. Následně odstraňte všechny dřevěné třísky a piliny.

⚠ Pokud není spotřebič nainstalován nad troubou, pod spotřebič je třeba nainstalovat i oddělovací panel (není součástí balení).

PŘIPOJENÍ PLYNU

⚠ **VÝSTRAHA:** Před prováděním instalace se ujistěte, že místní distribuční podmínky (druh plynu a jeho tlak) a nastavení spotřebiče si odpovídají.

⚠ Zkontrolujte, zda přírodní tlak plynu odpovídá hodnotám uvedeným v tabulce „Specifikace hořáku a trysek“.

⚠ **VÝSTRAHA:** Podmínky nastavení vztahující se k tomuto zařízení jsou uvedeny na etiketě (nebo výrobním štítku).

⚠ **VÝSTRAHA:** Tento spotřebič není připojen k zařízení pro odvod produktů spalování. Je třeba jej nainstalovat a připojit v souladu s aktuálními předpisy pro instalaci. Je třeba věnovat zvláštní pozornost příslušným požadavkům na odvětrávání.

⚠ Pokud jsou spotřebiče připojeny k zásobníku kapalného plynu, je třeba co nejvíce utáhnout regulační šroub.

⚠ **DŮLEŽITÉ:** V případě použití tlakové láhve musí být tlaková láhev správně usazena (ve svislé poloze).

⚠ **VÝSTRAHA:** Tento úkon musí provést kvalifikovaný technik.

⚠ K připojení plynu použijte pouze ohebnou nebo pevnou kovovou hadici.

⚠ Připojení k pevnému potrubí (měděnému nebo ocelovému) Připojení k plynovému systému musí být provedeno tak, aby bylo vyloučeno jakékoli zatížení přístroje. Na plošině spotřebiče pro zásobník plynu se nachází nastavitelná potrubní armatura ve tvaru L opatřená těsněním chránícím před úniky. Po otočení potrubní armatury je třeba těsnění vždy vyměnit (těsnění se dodává společně se spotřebičem). Potrubní armatura pro přívod plynu je opatřena vnějším půlpalcovým závitem.

⚠ Připojení flexibilní trubky bez svarů z nerezavějící oceli k závitovému nástavci Potrubní armatura pro přívod plynu je opatřena vnějším půlpalcovým závitem. Tyto trubky musejí být instalovány tak, aby při svém plném roztážení nikdy nepřesáhly délku 2 000 mm. Poté, co připojení zrealizujete, ujistěte se, že se ohebná kovová trubka nedotýká žádných pohyblivých součástí a nic na ni netlačí. Používejte pouze takové trubky a těsnění, která odpovídají aktuálním národním předpisům.

⚠ **DŮLEŽITÉ:** Pokud použijete hadici z nerezové oceli, musí být instalována tak, aby se nedotýkala žádné pohyblivé části nábytku (např. zásuvky). Hadice musí procházet prostorem bez překážek a tak, aby bylo možné ji kontrolovat po celé její délce.

⚠ Spotřebič by měl být k hlavnímu přívodu plynu nebo plynové láhvi připojen v souladu s platnými národními předpisy. Před realizací připojení se ujistěte, že je spotřebič kompatibilní s dodávkou takového plynu, který hodláte použít. Pokud tomu tak není, postupujte podle pokynů uvedených v odstavci „Přizpůsobení pro jiné typy plynových paliv“.

⚠ Po připojení k přívodu plynu zkontrolujte případné netěsnosti pomocí mýdlové vody. Vyzkoušejte stálost plamene tak, že hořáky zapálíte a otočíte ovládací knoflíky z maximální polohy 1* do minimální polohy 2*.

PŘÍZPŮSOBENÍ PRO JINÉ TYPY PLYNOVÝCH PALIV

(Tento úkon musí provést kvalifikovaný technik).

⚠ Za účelem přizpůsobení spotřebiče jinému typu plynu, než je ten, pro který byl vyroben (je vyznačeno na typovém štítku), postupujte podle příslušných kroků uvedených v instalačních výkresech.

UPOZORNĚNÍ NA PŘERUŠENÍ DODÁVKY ELEKTRICKÉ ENERGIE

⚠ **DŮLEŽITÉ:** Informace o spotřebě proudu a napětí je uvedena na typovém štítku.

⚠ V souladu s národními bezpečnostními normami týkajícími se elektrických zařízení musí být možné odpojit spotřebič od elektrické sítě vytažením zástrčky, pokud je zástrčka přístupná, nebo, v souladu s pravidly pro zapojování, prostřednictvím vícepólového vypínače umístěného před zásuvkou a spotřebič musí být uzemněn.

⚠ Napájecí kabel musí být natolik dlouhý, aby umožnil připojení spotřebiče zabudovaného do skříňky k elektrické síti. Nikdy netahejte za napájecí kabel.

⚠ Nepoužívejte prodlužovací kabely, sdružené zásuvky nebo adaptéry. Po provedení instalace nesmí být elektrické prvky spotřebiče pro uživatele přístupné. Nepoužívejte spotřebič, pokud jste mokří nebo naboso. Tento spotřebič nezapínejte, pokud je poškozen napájecí síťový kabel či zástrčka, pokud správně nefunguje nebo byl poškozen či spadl.

⚠ Jestliže je poškozený přívodní kabel, smí ho vyměnit (za identický díl) pouze výrobce, servisní technik nebo osoba s obdobnou kvalifikací, jinak by mohlo dojít k úrazu – riziko elektrického šoku!


ČIŠTĚNÍ A ÚDRŽBA

⚠ **VÝSTRAHA:** Než zahájíte jakoukoli údržbovou operaci, ujistěte se, že je spotřebič vypnutý a odpojený od zdroje napájení; nikdy nepoužívejte parní čistič – riziko elektrického šoku.

⚠ Nepoužívejte abrazivní ani agresivní produkty, čisticí prostředky s obsahem chloru ani drátěnky.

⚠ Abyste zabránili poškození elektrického zapalovacího zařízení, nepoužívejte jej, když se hořáky nenacházejí ve svých otvorech.


LIKVIDACE OBALOVÉHO MATERIÁLU

Obal je ze 100% recyklovatelného materiálu a je označen recyklačním znakem . Jednotlivé části obalového materiálu proto zlikvidujte odpovědně podle platných místních předpisů upravujících nakládání s odpady.

LIKVIDACE DOMÁČÍCH ELEKTROSPOTŘEBIČŮ

Tento spotřebič byl vyroben z recyklovatelných nebo opakovaně použitelných materiálů. Zlikvidujte jej podle místních předpisů pro likvidaci odpadu. Další informace o likvidaci, renovaci a recyklaci elektrických spotřebičů získáte na místním úřadě, v podniku pro sběr domácího odpadu nebo v obchodě, kde jste spotřebič zakoupili. Tento spotřebič je označen v souladu s evropskou směrnicí 2012/19/EU o odpadních elektrických a elektronických zařízeních (OEEZ) a nařízeními o odpadních elektrických a elektronických zařízeních 2013 (včetně dodatků).

Zajištěním správné likvidace tohoto výrobku pomůžete zabránit negativním vlivům na životní prostředí a lidské zdraví.

Symbol  na výrobku nebo příslušných dokladech udává, že tento výrobek nesmí být likvidován společně s domácím odpadem, nýbrž je nutné jej odevzdat do příslušného sběrného střediska k recyklaci elektrických a elektronických zařízení.

RADY K ÚSPOŘE ELEKTRICKÉ ENERGIE

Používejte hrnce a pánve, jejichž velikost odpovídá velikosti varné zóny.

Používejte pouze hrnce a pánve s plochým dnem.

Je-li to možné, nechte nádobí během vaření přikryté pokličkou.

Chcete-li ušetřit maximum času a elektrické energie, používejte tlakový hrnec.

PROHLÁŠENÍ O SHODĚ

Tento spotřebič splňuje požadavky na ekodesign evropského nařízení 66/2014 a nařízení o ekodesignu výrobků spojených se spotřebou energie a informacích o energii (dodatek) (EU Exit) 2019 v souladu s evropskou normou EN 30-2-1.

Používaný typ plynu	Typ hořáku	Označení injektoru	Jmenovitý tepelný tok kW	Jmenovitá spotřeba	Snížená tepelná kapacita kW	Tlak plynu mbar		
						min.	jmen.	max.
ZEMNÍ PLYN (Metan) G20	Rychlý (R)	128 B	3,00	286 l/h	0,70	17	20	25
	Střední (SR)	97 A	1,65	157 l/h	0,40			
	Doplňkový (AUX)	78 A	1,00	95 l/h	0,40			
LPG (Butan) G30	Rychlý (R)	85 A	3,00	218 g/h	0,70	20	30	35
	Střední (SR)	66 A	1,65	120 g/h	0,40			
	Doplňkový (AUX)	50	1,00	73 g/h	0,40			
LPG (Propan) G31	Rychlý (R)	85 A	3,00	214 g/h	0,70	20	30	35
	Střední (SR)	66 A	1,65	118 g/h	0,40			
	Doplňkový (AUX)	50	1,00	71 g/h	0,40			

Používaný typ plynu	Konfigurace modelu 4 HOŘÁKY	Jmenovitý tepelný tok (kW)	Celková jmenovitá spotřeba	Vzduch (m ³) nutný ke spálení 1m ³ plynu
G20 20 mbar	1R - 2 SR - 1 AUX	7,30	695 l/h	9,52
G30 30 mbar	1R - 2 SR - 1 AUX	7,30	531 g/h	30,94
G31 30 mbar	1R - 2 SR - 1 AUX	7,30	521 g/h	23,80

ELEKTRICKÉ NAPÁJENÍ: 220-240 V ~ 50-60 Hz - 1,1W

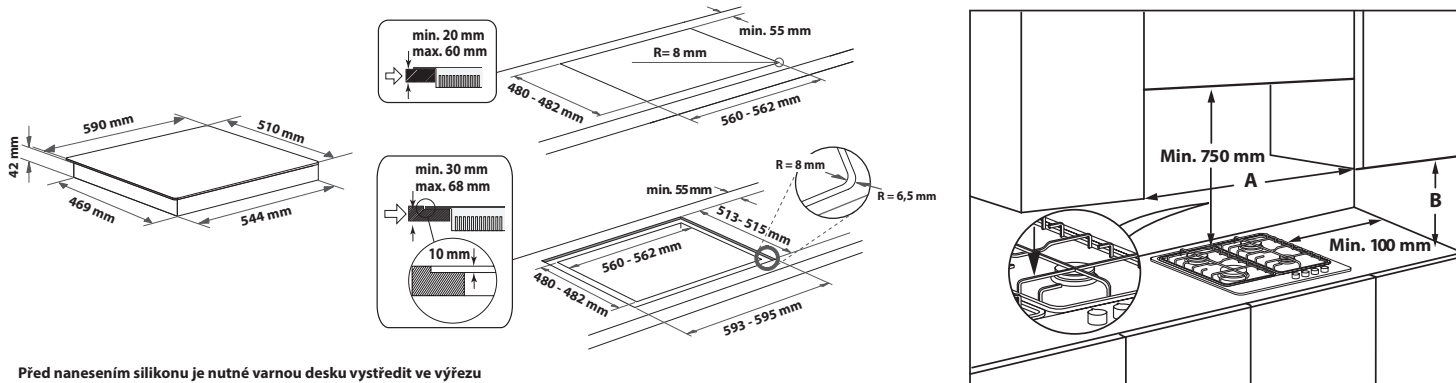


MONTÁŽ (TŘÍDA 3)

TECHNICKÉ INFORMACE PRO MONTÉRA

- Při manipulaci s produktem, jeho přípravě a instalaci použijte ochranné rukavice.
- Tento produkt lze zapustit do pracovní desky o tloušťce 20÷60 mm, se standardní instalací. Pro zapuštěnou instalaci 30 ÷ 68 mm.
- Pokud pod varnou deskou není umístěna trouba, vložte pod ni oddělovací panel minimální plochou odpovídající otvoru v pracovní desce. Tento panel musí být umístěn maximální vzdálenosti 150 mm pod horní plochou pracovní desky, ale v žádném případě ne blíže než 20 mm ode dna varné desky. V případě, že máte v úmyslu pod varnou desku umístit troubu, tato trouba musí být vybavena systémem chlazení.

ROZMĚRY A VZDÁLENOSTI, KTERÉ JE TŘEBA DODRŽET



Před nanesením silikonu je nutné varnou desku vystředit ve výřezu

POZNÁMKA: Pokud vzdálenost „A“ mezi stěnami linky činí 600 mm až 730 mm, musí výška „B“ činit minimálně 530 mm. Je-li vzdálenost „A“ mezi stěnami linky větší než šířka varné desky, musí výška „B“ činit minimálně 400 mm. V případě instalace digestoře nad varnou desku vyhledejte vhodnou vzdálenost v pokynech k digestoři.

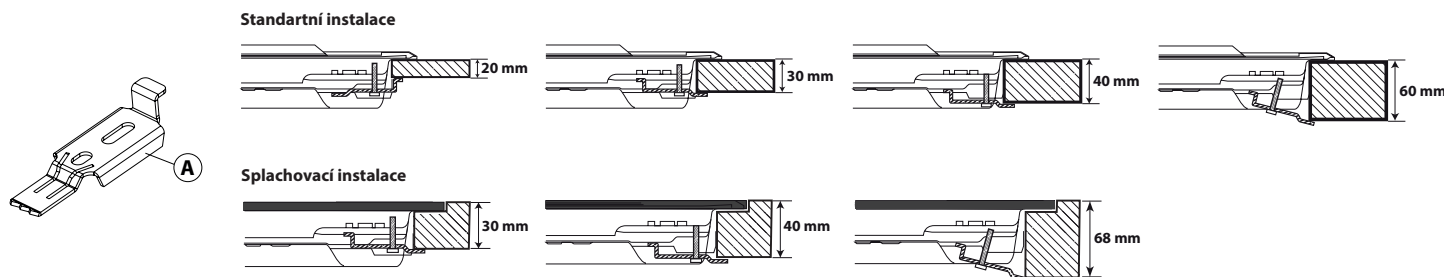
SESTAVENÍ

Po očištění okrajového povrchu na varnou desku připevněte dodané těsnění dle obrázku.

Umístěte varnou desku do otvoru v pracovní desce, který byl připraven s ohledem na rozměry uvedené v návodu.

POZNÁMKA: Přívodní kabel musí být dostatečně dlouhý, aby bylo možné zvednutí spotřebiče.

K zajištění varné desky použijte dodané svorky (A). Vložte svorky do příslušných otvorů označených šipkou a upevněte je pomocí šroubů v závislosti na tloušťce pracovní desky (viz následující obrázky).

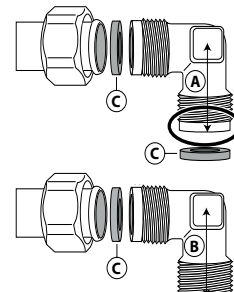


PŘIPOJENÍ PLYNU

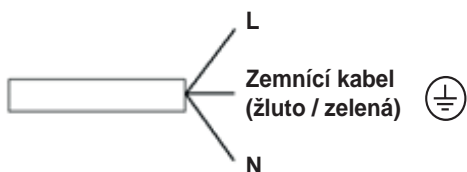
- Připojte dodávané koleno (A)* nebo (B)* k hlavní přívodní trubce varné desky a vložte dodanou podložku (C) v souladu s normou EN 549.

* **Ve Francii použijte koleno (A) a ve všech ostatních zemích koleno (B).**

- Po připojení k přívodu plynu zkontrolujte případné netěsnosti pomocí mýdlové vody. Zapalte hořáky a otočením ovladačů od maximální polohy do minimální polohy zkontrolujte stálost plamene.



ELEKTRICKÉ PŘIPOJENÍ





DĚKUJEME VÁM, ŽE JSTE SI ZAKOUPILI VÝROBEK ZNAČKY INDESIT

Přejete-li si získat plnou podporu, zaregistrujte svůj výrobek na www.indesit.com/register.

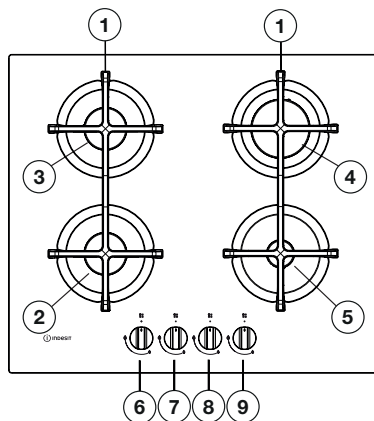


Před použitím spotřebiče si pečlivě přečtěte bezpečnostní pokyny.

ABYSTE ZÍSKALI VÍCE INFORMACÍ, NASKENUJTE PROSÍM QR KÓD NA VAŠEM SPOTŘEBIČI



POPIS PRODUKTU



1. Odnímatelné mřížky
2. Střední hořák
3. Střední hořák
4. Rychlý hořák
5. Doplnkový hořák
6. Ovladač středního hořáku
7. Ovladač středního hořáku
8. Ovladač rychlého hořáku
9. Ovladač doplňkového hořáku

Symbody

- | | | |
|--------------|---|---|
| Plné kolečko | ● | Přívod uzavřen |
| Velký plamen | 🔥 | Maximální otevření/přívod a elektrické zapalování |
| Malý plamen | 🔥 | Minimální otevření nebo snížený přívod |



KAŽDODENNÍ POUŽÍVÁNÍ

POUŽÍVÁNÍ VARNÉ DESKY

⚠ Plamen hořáku nesmí přesahovat za okraj dna hrnce či pánve.

DŮLEŽITÉ UPOZORNĚNÍ: při používání varné desky může dojít ke zvýšení teploty v jejím okolí.

- Pokud chcete zapálit některý z hořáků, otočte příslušný ovladač proti směru hodinových ručiček na největší plamen.
- Přitlačením ovladače k ovládacímu panelu zapalte hořák.
- Po zapálení držte ovladač stisknutý po dobu asi 5–10 sekund, aby hořák nezhasl.
- Tento bezpečnostní prvek hořáků zastaví přívod plynu k hořáku v případě, že plamen nečekaně zhasne (kvůli náhlému průvanu, přerušení dodávky plynu, přetečení vody z hrnce apod.).
- Ovladač by neměl být stisknutý více než 15 sekund. Pokud po uplynutí této doby hořák nezůstane zapálený, počkejte před opakováním pokusu o zapálení alespoň jednu minutu.

POZNÁMKA: Pokud konkrétní místní podmínky dodávky plynu znesnadňují zapálení hořáku, doporučujeme zopakovat postup s ovladačem nastaveným na malý plamen.

Po uvolnění ovladače může hořák zhasnout. To znamená, že bezpečnostní prvek se dostatečně nezahřál. V takovém případě opakujte výše uvedené postupy. Při náhodném zhasnutí plamene otočte otočný ovladač do polohy odpovídající vypnutí a před opětovným pokusem o jeho zapálení vyčkejte nejméně 1 minutu.

PRAKTICKÉ RADY PRO POUŽÍVÁNÍ HOŘÁKŮ

Tato varná deska zahrnuje hořáky různých průměrů. Optimální funkci hořáků zajistíte dodržováním následujících pravidel:

- používejte hrnce a pánve s průměrem stejným nebo mírně větším, než je průměr hořáku (viz tabulka vpravo);
- používejte pouze hrnce a pánve s plochým dnem;
- používejte při vaření potravin vhodné množství vody a zakryjte hrnce pokličkou;
- hrnce či pánve po položení na mřížku nesmí přesahovat přes okraj varné desky;
- chcete-li použít pánve s vypouklým dnem (wok), použijte podpůrnou mřížku (není součástí dodávky) a umístěte ji na hořák se dvěma prstenci;
- zabraňte nárazům hrnců, mřížek nebo jiného kuchyňského nářadí;
- nenechávejte prázdné nádoby na steaky na zapnutém sporáku déle než 5 minut.

DŮLEŽITÉ UPOZORNĚNÍ: Nevhodné použití mřížek může poškodit varnou desku. Nepokládejte mřížky na varnou desku obráceně ani je po desce neposouvejte.

HOŘÁK	Ø HRNCE
Rychlý	Od 24 do 26 cm
Střední	Od 16 do 22 cm
Doplňkový	Od 8 do 14 cm

Nepoužívejte:

- litinové plotny, kameninové desky ani terakotové hrnce a pánve;
- rozptylovače tepla, jako jsou kovové mřížky apod.;
- dva hořáky současně na jednu nádobu (např. hrnec na ryby).

Rozlité tekutiny na horkou varnou desku může způsobit poškození skla.

PŘÍZPŮSOBENÍ PRO JINÉ TYPY PLYNU

⚠ Tento úkon musí být proveden kvalifikovaným technikem.

Pokud má spotřebič používat jiný druh plynu než ty, které jsou vedeny na typovém štítku a informačním štítku na horní straně varné desky, vyměňte injektory. Odlepte informační štítek a uchovejte jej spolu s příručkou.

Používejte regulátory tlaku vhodné pro tlak plynu uvedený v pokynech:

- plynový injektor smí vyměnit pouze servisní středisko nebo kvalifikovaný technik;
- injektor není dodáván spolu se spotřebičem a je nutné jej objednat v servisním středisku;
- upravte nastavení minimálních poloh ovladačů.

POZNÁMKA: V případě použití LPG (G30/G31) je nutné šroub pro nastavení minimálního průtoku přitáhnout úplně.

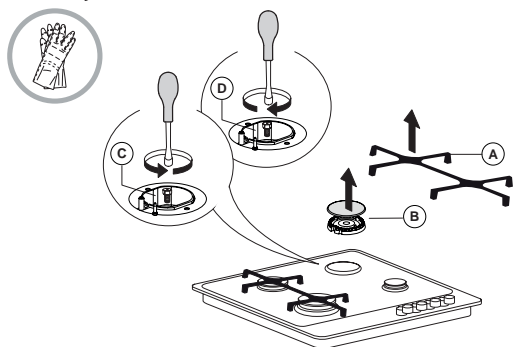
DŮLEŽITÉ UPOZORNĚNÍ: Pokud máte problém s otáčením některého z ovladačů, kontaktujte servisní středisko, které vám v případě zjištění závady poskytne nový kohout hořáku.

DŮLEŽITÉ UPOZORNĚNÍ: V případě použití tlakové lahve musí být tlaková láhev správně usazena (ve svislé poloze).

VÝMĚNA INJEKTORŮ (viz tabulka injektorů v Bezpečnostních pokynech)

⚠ Tento úkon musí být proveden kvalifikovaným technikem.

- Sejměte mřížky (A).
- Vyjměte hořáky (B).
- Pomocí nástrčného klíče odpovídající velikosti odšroubujte injektor (C), který chcete vyměnit.
- Nahraďte jej injektorem vhodným pro daný typ plynu.
- Znovu složte injektor (D).



Před instalací varné desky nezapomeňte připravit kalibrační štítek dodaný s injektory takovým způsobem, aby zakryl původní informace týkající se kalibrace pro plyn.

ČIŠTĚNÍ A ÚDRŽBA

⚠ Odpojte spotřebič od elektrické sítě.

ČIŠTĚNÍ POVRCHU VARNÉ DESKY

- Veškeré smaltované a skleněné díly je třeba čistit teplou vodou a neutrálním čisticím roztokem.
- Povrch dílů z nerezové oceli může být poskvřen v případě delšího kontaktu s tvrdou vodou nebo agresivními čisticími prostředky. Případné ulpělé potraviny (voda, omáčka, káva apod.) je třeba otřít dříve, než zaschnou.
- K čištění používejte teplou vodu s neutrálním čisticím prostředkem a k osušení použijte měkkou tkaninu. Připečené nečistoty odstraňujte čisticími prostředky speciálně určenými pro nerezovou ocel.

POZNÁMKA: Nerezovou ocel čistěte výhradně měkkým hadříkem nebo houbičkou.

- Nepoužívejte abrazivní ani agresivní produkty, čisticí prostředky s obsahem chloru ani drátěnky.
- Nepoužívejte parní čističe.
- Nepoužívejte hořlaviny.
- Nenechávejte na varné desce kyselé ani zásadité potraviny, jako je například ocet, hořčice, cukr nebo citronová šťáva.

ODSTRAŇOVÁNÍ ZÁVAD

Pokud varná deska nepracuje správně, před kontaktováním servisního střediska se pokuste určit příčinu problému podle následujících pokynů.

1. Hořák nelze zapálit nebo je plamen nerovnoměrný

Zkontrolujte, zda:

- dodávka plynu či elektrické energie není přerušena a obzvláště zda není uzavřen kohout přívodu plynu;
- tlaková láhev (se zkapalněným plynem) není prázdná;
- průduchy hořáku nejsou ucpané;
- koncovka elektrické zástrčky není znečištěna;
- všechny součásti hořáku jsou ve správné poloze;
- v blízkosti varné desky není průvan.

2. Hořák nezůstane zapálený

Zkontrolujte, zda:

- byl při zapalování hořáku ovladač stisknut dostatečně dlouho, aby došlo k aktivaci bezpečnostního prvku;
- průduchy hořáku nejsou v blízkosti termočlánu ucpané;
- zakončení bezpečnostního prvku není znečištěno;
- minimální průtok plynu je správně nastaven (viz odpovídající odstavec).

ÚPRAVA NASTAVENÍ MINIMÁLNÍHO PRŮTOKU PLYNU

⚠ Tento úkon musí být proveden kvalifikovaným technikem.

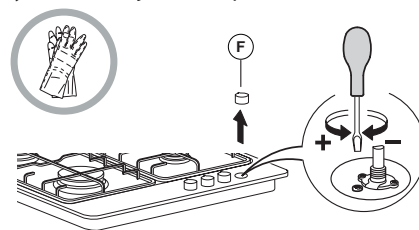
Tuto úpravu je třeba provádět, když je kohout nastaven v poloze minimálního průtoku plynu (malý plamen) ⚡.

Primární přívod vzduchu k hořákům není třeba nastavovat.

Abyste zajistili správné nastavení minimální polohy, sejměte ovladač (F) a pokračujte dle následujícího postupu:

- přitáhnutím šroubu zmenšíte výšku plamene (-);
- uvolněním šroubu zvětšíte výšku plamene (+).

Nyní zapalte hořáky a otočením ovladačů od maximální polohy ⚡ do minimální polohy ⚡ zkontrolujte stálost plamene.



Po dokončení nastavení proveďte utěsnění pomocí pečatního vosku nebo obdobného materiálu.

ČIŠTĚNÍ SOUČÁSTÍ VARNÉ DESKY

- Skleněné a smaltované díly čistěte pouze měkkým hadříkem či houbičkou.
- Mřížky, krytky hořáků a hořáky samotné lze při čištění vyjmout.
- Čistěte je ručně pomocí teplé vody a neabrazivního čisticího prostředku, odstraňte veškeré zbytky potravin a zajistěte, aby žádný z průduchů hořáku nebyl ucpaný.
- Opláchněte a osušte.
- **Litínové rošty lze mýt v myčce nádobí. Před umístěním roštů do nejspodnějšího koše myčky nádobí odstraňte veškeré připáleniny.**
- Vložte hořáky a krytky hořáků patřičným způsobem do odpovídajících otvorů.
- Při pokládání mřížek zajistěte, aby byly oblasti podstavců zarovnané s hořáky.
- Modely vybavené elektrickým zapalováním a bezpečnostním prvkem vyžadují důkladné čištění koncovky zapalování, aby byl zajištěn správný provoz. Tyto součásti pravidelně kontrolujte a v případě potřeby je čistěte vlhkým hadříkem. Jakékoli připečené potraviny je třeba odstranit párátkem nebo jehlou.

POZNÁMKA: Abyste zabránili poškození elektrického zapalovacího zařízení, nepoužívejte jej, když se hořáky nenacházejí ve svých otvorech.

3. Nádoby nelze správně umístit

Zkontrolujte, zda:

- dno nádoby je zcela ploché;
- nádoba je nad hořákem umístěna na střed;
- mřížky nebyly zaměněny nebo nesprávně umístěny.

Jestliže problém přetrvává i po provedení výše uvedených kroků, kontaktujte nejbližší servisní středisko

Přejete-li si získat plnou podporu, zaregistrujte svůj výrobek na www.indesit.com/register.

NEŽ ZAVOLÁTE DO SERVISNÍHO STŘEDISKA POPRODEJNÍCH SLUŽEB:

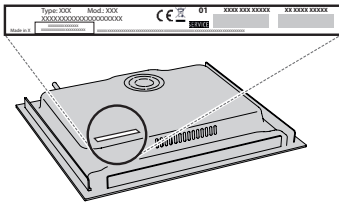
1. Ověřte si, zda nemůžete problém vyřešit sami pomocí doporučení popsaných v oddílu **ODSTRAŇOVÁNÍ ZÁVAD**.
2. Vypněte spotřebič a opět ho zapněte, abyste zjistili, zda porucha stále trvá.

JESTLIŽE PORUCHA PŘETRVÁVÁ I PO PROVEDENÍ VÝŠE UVEDENÝCH KROKŮ, ZAVOLEJTE DO NEJBLIŽŠÍHO SERVISNÍHO STŘEDISKA.

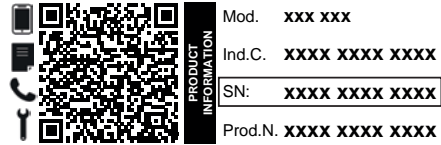
Pro asistenční služby volejte na číslo uvedené v záruční knížce nebo postupujte podle pokynů na webových stránkách www.indesit.com.

Pokud se obrácíte na náš zákaznický poprodejní servis, vždy upřesněte:

- stručný popis poruchy;
- přesný typ a model spotřebiče;



- sériové číslo (číslo za slovem SN na typovém štítku umístěném pod spotřebičem). Sériové číslo je také uvedeno v dokumentaci;



- svou úplnou adresu;
- své telefonní číslo.

Jestliže je nutná oprava, obraťte se na autorizované servisní středisko, abyste měli jistotu, že budou použity originální náhradní díly a oprava bude provedena správně).

Zásady, standardní dokumentaci a další informace o výrobku naleznete:

- Načtením QR kódu ve vašem spotřebiči;
- Při navštívení naší webové stránky docs.indesit.eu;
- Případně **kontaktujte náš poprodejní servis** (telefonní číslo naleznete v záručním listě). Při kontaktování našeho poprodejního servisu prosím uveďte kódy na identifikačním štítku produktu.



⚠ Tieto pokyny platia, ak je na spotrebiči symbol krajiny. Ak na spotrebiči symbol krajiny nie je, je potrebné sa riadiť technickými pokynmi, kde nájdete potrebný návod týkajúci sa úpravy spotrebiča na podmienky krajiny použitia.

⚠ POZOR: Pri používaní plynového sporáka vzniká v miestnosti, kde je inštalovaný, teplo, vlhkosť a produkty spalovania. Dbajte, aby bola kuchyňa dobre vetraná, najmä keď sa spotrebič používa: nechajte prirodzené vetracie otvory otvorené alebo nainštalujte mechanické vetracie zariadenie (mechanický odsávací digestor). Dlhšie intenzívne používanie spotrebiča môže vyžadovať ďalšie vetranie, napríklad otvorením okna, alebo intenzívnejšie vetranie zvýšením úrovne mechanického vetrania, ak je nainštalované.

⚠ Ak sa nebudete presne riadiť informáciami uvedenými v tejto príručke, môže to spôsobiť požiar alebo výbuch, následkom ktorého dôjde k poškodeniu majetku alebo zraneniu osôb.

Pred použitím spotrebiča si prečítajte tieto bezpečnostné pokyny. Uchovajte ich poruke na budúce použitie.

V týchto pokynoch a na samotnom spotrebiči sú uvedené dôležité upozornenia týkajúce sa bezpečnosti, ktoré treba vždy dodržiavať. Výrobca odmieta zodpovednosť v prípade nedodržania týchto bezpečnostných pokynov, nenáležitého používania spotrebiča alebo nesprávneho nastavenia ovládania.

⚠ UPOZORNENIE: Ak je varný panel puknutý, spotrebič nepoužívajte – nebezpečenstvo zásahu elektrickým prúdom.

⚠ UPOZORNENIE: Nebezpečenstvo požiaru: Neskladujte predmety na varných povrchoch.

⚠ UPOZORNENIE: Pri varení musí byť spotrebič pod dohľadom. Pri krátkodobom varení musí byť spotrebič pod nepretržitým dohľadom.

⚠ UPOZORNENIE: Varenie na tuku alebo oleji bez dozoru môže predstavovať nebezpečenstvo a môže mať za následok vznik požiaru. NIKDY sa nepokúšajte uhasiť požiar vodou. Vypnite spotrebič a následne zakryte plameň, napr. pokrievkou alebo hasiacim rúškom.

⚠ Nepoužívajte varnú dosku ako pracovnú alebo odkladaciu plochu. Oblečenie a iné horľavé materiály uchovávajte mimo spotrebiča, kým všetky komponenty úplne nevychladnú – hrozí nebezpečenstvo vzniku požiaru.

⚠ Veľmi malé deti (0 – 3 roky) by sa nemali zdržiavať v okolí spotrebiča. Malé deti (3 – 8 rokov) nepúšťajte k spotrebiču bez dozoru. Deti od 8 rokov a osoby so zníženými fyzickými, zmyslovými a mentálnymi schopnosťami alebo s nedostatkom skúseností a znalostí môžu používať tento spotrebič len v prípade, ak sú pod dozorom alebo dostali pokyny týkajúce sa používania spotrebiča bezpečným spôsobom a chápu hroziace nebezpečenstvá. Deti sa so spotrebičom nesmú hrať. Čistenie a údržbu nesmú vykonávať deti bez dozoru.

⚠ UPOZORNENIE: V prípade, že sa rozbije sklo na varnej doske, ihneď vypnite všetky horáky a elektrické ohrievacie teleso a spotrebič odpojte od prívodu napätia; nedotýkajte sa povrchu spotrebiča, spotrebič nepoužívajte.

Sklený kryt môže puknúť, keď sa zohreje. Pred zatvorením krytu vypnite všetky horáky a elektrické platničky. Ak sú horáky zapnuté, kryt nezatvárajte.

⚠ UPOZORNENIE: Spotrebič a jeho prístupné časti sa počas používania zahrievajú. Dávajte pozor, aby ste sa nedotkli ohrevných článkov. Nedovoľte, aby sa deti mladšie ako 8 rokov priblížili k rúre, pokiaľ nie sú nepretržite pod dozorom.

⚠ Pred alebo po varení sa potraviny nesmú ponechať vo výrobku alebo na ňom dlhšie ako jednu hodinu.

POVOLENÉ POUŽÍVANIE

⚠ UPOZORNENIE: Spotrebič nie je určený na ovládanie externým vypínačom, ako je časovač alebo samostatný systém diaľkového ovládania.

⚠ Tento spotrebič je určený na použitie v domácnosti alebo na podobné účely ako napr.: v oblastiach kuchyniek pre personál v dielnach, kanceláriách a iných pracovných prostrediach; na farmách; pre klientov v hoteloch, motelloch, penziónoch a iných ubytovacích zariadeniach.

⚠ Nie je povolené používať ho na iné účely (napr. vykurovanie miestností).

⚠ Tento spotrebič nie je určený na profesionálne používanie. Spotrebič nepoužívajte vonku.

⚠ Používajte hrnce a panvice s rovnakým priemerom dna, ako je priemer varných zón, alebo o niečo väčším (pozrite špeciálnu tabuľku). Nedovoľte, aby hrnce na mriežkach presahovali cez okraj varnej dosky.

⚠ Nevhodné používanie mriežky môže zapríčiniť poškodenie platne sporáka: nekladte preto mriežku opačne, ani ju neposúvajte po ploche platne.

Nedovoľte, aby plameň horáka presahoval cez okraj panvice.

Ak je povrch varného panela zo skleneného materiálu, nepoužívajte liatinové rošty, keramické kamene, terakotové hrnce či panvice.

Neodporúčame Vám používať: Rozptyľovače plameňa vo forme kovovej mriežky alebo iné. Použitie dvoch horákov súčasne pre jednu oválnu nádobu (napr. na prípravu ryby).

Ak by sa horák následkom špecifických podmienok pri miestnej dodávke plynu ťažko zapaloval, odporúčame vám zopakovať uvedený postup s gombíkom otočeným do polohy malého plameňa.

V prípade inštalácie digestora nad varnú plochu, prosím, dodržiavajte pokyny o správnych vzdialenostiach.

Ochranné gumené nožičky na snímateľnej mriežke predstavujú nebezpečenstvo pre malé deti. Po odložení mriežky dbajte, aby boli všetky nožičky správne nasadené.

INŠTALÁCIA

⚠ So spotrebičom musia manipulovať a inštalovať ho minimálne dve osoby – riziko zranenia. Pri vybalovaní a inštalovaní používajte ochranné rukavice – nebezpečenstvo porezania.

⚠ Elektrické a plynové prípojky musia vyhovovať miestnym predpisom.

⚠ Inštaláciu, vrátane prívodu vody (ak je) a elektrického zapojenia a taktiež opravy musí vykonávať kvalifikovaný technik. Nikdy neopravujte ani nevymieňajte žiadnu časť spotrebiča, ak to nie je uvedené v návode na používanie.

Nepúšťajte deti k miestu inštalácie. Po vybalení spotrebiča sa uistite, že sa počas prepravy nepoškodil. V prípade problémov sa obráťte na predajcu alebo popredajný servis. Po inštalácii treba odpad z balenia (plasty, kusy polystyrénu a pod.) uložiť mimo dosahu detí – nebezpečenstvo udusenía. Pred vykonávaním inštalčných prác musíte spotrebič odpojiť od elektrického napájania – nebezpečenstvo zásahu elektrickým prúdom. Počas inštalácie dávajte pozor, aby ste spotrebičom nepoškodili napájací kábel – nebezpečenstvo požiaru alebo zásahu elektrickým prúdom. Spotrebič zapnite až po úplnom dokončení inštalácie.

⚠ **UPOZORNENIE:** Úprava spotrebiča a spôsob jeho inštalácie sú základom bezpečného a správneho používania vo všetkých ďalších krajinách.

⚠ Použite regulátory tlaku vhodné pre tlak plynu uvedený v Pokynoch.

⚠ Miestnosť musí byť vybavená systémom odsávania vzduchu, ktorý odstráni všetky spaliny. Ten môže pozostávať z digestora alebo elektrického ventilátora, ktorý sa spustí automaticky zakaždým, keď sa zapne spotrebič.

⚠ Miestnosť musí umožňovať riadnu cirkuláciu vzduchu, pretože vzduch je potrebný pre normálne spalovanie. Prúdenie vzduchu musí byť minimálne 2 m³/h na kW inštalovaného výkonu.

⚠ Systém cirkulácie vzduchu môže nasávať vzduch priamo zvonka cez potrubie s prierezom minimálne 100 cm²; otvor nesmie byť ohrozený žiadnym typom upchatia.

⚠ Systém môže zabezpečovať vzduch potrebný na spalovanie aj nepriamo, t.j. zo susedných miestností vybavených potrubím na cirkuláciu vzduchu, ako je opísané vyššie. Tieto miestnosti však nesmú byť spoločenské miestnosti, spálne alebo miestnosti, ktoré môžu predstavovať riziko požiaru.

⚠ Skvapalnený plyn klesne k podlahe, pretože je ťažší ako vzduch. Preto aj miestnosti, kde sa nachádzajú fľaše s LPG, musia byť vybavené vetracími otvormi, aby v prípade netesnosti mohol plyn uniknúť. V dôsledku toho fľaše s LPG, čiastočne alebo úplne plné, sa nesmú inštalovať ani skladovať v miestnostiach alebo skladoch, ktoré sú pod zemou (pivnice a pod.). Odporúča sa uchovávať v miestnosti iba fľašu, ktorá sa používa, a umiestniť ju tak, aby nebola vystavená teplu z vonkajších zdrojov (pece, kozuby, sporáky a pod.), ktoré by mohli zvýšiť teplotu fľaše nad 50 °C.

Ak by ste mali ťažkosti s otočením gombíkov horákov, prosím, kontaktujte pracovníkov servisu, aby ventil horáka vymenili, ak je chybný. Otvory slúžiace na vetranie a rozptýlenie tepla nesmú byť nikdy prikryté.

⚠ Pred vsadením spotrebiča do nábytkového príslušenstva urobte všetky potrebné výrezy a odstráňte drevené odrezky a piliny.

⚠ Ak spotrebič nie je inštalovaný nad rúrou, je potrebné do priehradky pod spotrebičom nainštalovať oddeľovací panel (nie je priložený).

PLYNOVÁ PRÍPOJKA

⚠ **UPOZORNENIE:** Pred inštaláciou zabezpečte, aby boli podmienky miestnej rozvodnej siete (charakter a tlak plynu) kompatibilné s nastavením spotrebiča.

⚠ Skontrolujte, či tlak dodávaného plynu vyhovuje hodnotám uvedeným v tabuľke "Špecifikácie horáka a dýzy".

⚠ **UPOZORNENIE:** Podmienky nastavenia tohto spotrebiča sú uvedené na nálepke (alebo štítku s údajmi).

⚠ **UPOZORNENIE:** Tento spotrebič nie je pripojený k zariadeniu na odvod spalín. Musí byť nainštalovaný a pripojený v súlade s platnými pravidlami na inštaláciu. Mimoriadnu pozornosť venujte príslušným požiadavkám na vetranie.

⚠ Ak je spotrebič pripojený na skvapalnený plyn, regulačná skrutka musí byť utiahnutá čo najviac.

⚠ **DÔLEŽITÉ:** Ak sa používa tlaková plynová nádoba, tlaková plynová nádoba alebo plynový zásobník musia byť správne osadené (vertikálne smerovanie).

⚠ **UPOZORNENIE:** Túto operáciu musí vykonať kvalifikovaný technik.

⚠ Pri príprave plynovej prípojky použite ohybnú alebo neohybnú kovovú rúrku.

⚠ Pripojenie s neohybnou rúrou (medenou alebo ocelovou) Pripojenie na plynovú sústavu musí byť urobené tak, aby na spotrebič nebol vynakladaný žiaden tlak. Na prírodnej rampe spotrebiča je nastaviteľná potrubná kolenová tvarovka vybavená tesnením, aby sa zabránilo únikom. Po otáčaní potrubnej tvarovky treba tesnenie vždy vymeniť (tesnenie sa dodáva so spotrebičom). Potrubná tvarovka pre prívod plynu má vonkajší 1/2-palcový závit.

⚠ Pripojenie ohybného potrubia z nehrdzavejúcej ocele bez spojov k závitovej prípojke Potrubná tvarovka pre prívod plynu má vonkajší 1/2-palcový závit. Potrubia musia byť nainštalované tak, aby pri úplnom natiahnutí nepresahovali 2 000 mm. Po pripojení sa ubezpečte, že ohybné kovové potrubie sa nedotýka žiadnych pohyblivých častí a nie je stlačené. Používajte iba potrubia a tesnenia, ktoré sú v súlade s vnútroštátnymi predpismi.

⚠ **DÔLEŽITÉ UPOZORNENIE:** Ak je použitá antikorová rúrka, musí byť nainštalovaná tak, aby sa nedotýkala žiadnej pohyblivej časti nábytku (napr. zásuvky). Musí prechádzať oblasťou, kde nie sú žiadne prekážky a kde je možné skontrolovať ju po celej jej dĺžke.

⚠ Spotrebič by mal byť pripojený k zdroju dodávky plynu alebo plynovej fľaši v súlade s aktuálnymi vnútroštátnymi predpismi. Pred pripojením sa presvedčte, či je spotrebič kompatibilný s prívodom plynu, ktorý chcete použiť. Ak nie je, postupujte podľa pokynov uvedených v odseku „Prispôsobenie iným typom plynu“.

⚠ Po pripojení k prívodu plynu vykonajte kontrolu úniku použitím mydlovej vody. Zapáľte horáky a otočte kohútiky z maximálnej polohy 1* do minimálnej polohy 2*, aby ste skontrolovali stabilitu plameňa.

PRISPÔSOBENIE INÝM TYPOM PLYNU

(Túto činnosť musí vykonávať kvalifikovaný technik).

⚠ Aby ste prispôbili spotrebič inému typu plynu, než je ten, pre ktorý bol vyrobený (uvedený na typovom štítku), postupujte podľa krokov uvedených po inštalčných nákresoch.

VAROVANIA PRE POUŽÍVANIE ELEKTRICKÉHO ZARIADENIA

⚠ **DÔLEŽITÉ:** Informácie o spotrebe prúdu a napätia sú uvedené na typovom štítku.

⚠ Spotrebič sa musí dať odpojiť od napájania buď vyťahnutím zástrčky, pokiaľ je ľahko dostupná, alebo prostredníctvom prístupného viacpólového prepínača nainštalovaného pred zásuvkou podľa predpisov pre domovú elektroinštaláciu, pričom musí byť spotrebič uzemnený v súlade s národnými bezpečnostnými normami pre elektrotechniku.

⚠ Prívodný elektrický kábel musí byť dostatočne dlhý, aby sa spotrebič, zabudovaný do kuchynskej linky, dal zapojiť do elektrickej siete. Neťahajte za napájací elektrický kábel.

⚠ Nepoužívajte predlžovacie káble, rozdvojky ani adaptéry. Po inštalácii spotrebiča nesmú byť jeho elektrické časti prístupné používateľom. Nepoužívajte spotrebič, ak ste mokří alebo bosí. Spotrebič neuvádzajte do činnosti, ak je poškodený napájací kábel alebo zástrčka, ak nepracuje správne, ak je poškodený alebo ak spadol.

⚠ Ak je poškodený napájací elektrický kábel, musí ho výrobca, jeho autorizovaný servis alebo podobne kvalifikovaná osoba vymeniť za identický, aby sa predišlo nebezpečenstvu zásahu elektrickým prúdom.


ČISTENIE A ÚDRŽBA

⚠ **UPOZORNENIE:** Pred vykonávaním údržby dbajte, aby bol spotrebič vypnutý alebo odpojený od elektrického napájania; nikdy nepoužívajte zariadenie na čistenie parou – nebezpečenstvo zásahu elektrickým prúdom.

⚠ Nepoužívajte abrazívne alebo korozívne prostriedky, čističe s obsahom chlóru alebo drôtenky na panvice.

⚠ Aby ste predišli poškodeniu zariadenia elektrického zapalovania, nepoužívajte ho, keď horáky nie sú na svojich miestach.

LIKVIDÁCIA OBALOVÝCH MATERIÁLOV


Obalové materiály sa môžu na 100 % recyklovať a sú označené symbolom recyklácie .

Rôzne časti obalu likvidujte zodpovedne, v plnom súlade s platnými miestnymi predpismi o likvidácii odpadov.

LIKVIDÁCIA DOMÁCIH SPOTREBIČOV

Tento spotrebič je vyrobený z recyklovateľných a znovu použiteľných materiálov. Zlikvidujte ho v súlade s miestnymi predpismi o likvidácii odpadov. Podrobnejšie informácie o zaobchádzaní, obnove a recyklácii domácich spotrebičov dostanete na príslušnom miestnom úrade, v zberných strediskách alebo v obchode, kde ste spotrebič kúpili. Tento spotrebič je označený v súlade so smernicou Európskeho parlamentu a Rady 2012/19/EÚ o odpade z elektrických a elektronických zariadení (OEEZ) a s predpismi o odpade z elektrických a elektronických zariadení z r. 2013 (v platnom znení).

Zabezpečením správnej likvidácie výrobku pomôžete predchádzať potenciálnym negatívnym dopadom na životné prostredie a ľudské zdravie.

Symbol  na spotrebiči alebo na sprievodných dokumentoch znamená, že s týmto výrobkom sa nesmie zaobchádzať ako s domácim odpadom, ale je potrebné odovzdať ho v zbernom dvore pre elektrické a elektronické zariadenia.

RADY NA ÚSPORU ELEKTRICKEJ ENERGIE

Používajte hrnce a panvice, ktorých spodný priemer je rovnaký ako priemer varnej zóny.

Používajte iba panvice a hrnce s rovným dnom.

Ak je to možné, prikryte hrnce počas varenia pokrievkami.

Používajte tlakový hrniec kvôli ešte väčšej úspore energie a času.

VYHLÁSENIE O ZHODE

Tento spotrebič spĺňa požiadavky nariadenia Komisie (EÚ) 66/2014 na ekodizajn a predpisy z roku 2019 o ekodizajne energeticky významných výrobkov a energetických informáciách (dodatok) (výstup z EÚ) v súlade s európskou normou EN 30-2-1.

Druh používaného plynu	Typ horáka	Značka vstrekovace dýzy	Menovitý tepelný výkon kW	Menovitá spotreba	Znížená tepelná kapacita kW	Tlak plynu mbar		
						min.	rat.	max.
ZEMNÝ PLYN (Metán) G20	Rýchly (R) Stredný (SR) Pomocný (AUX)	128 B 97 A 78 A	3,00 1,65 1,00	286 l/h 157 l/h 95 l/h	0,70 0,40 0,40	17	20	25
SKVAPALNENÝ ROPNÝ PLYN (Bután) G30	Rýchly (R) Stredný (SR) Pomocný (AUX)	85 A 66 A 50	3,00 1,65 1,00	218 g/h 120 g/h 73 g/h	0,70 0,40 0,40	20	30	35
SKVAPALNENÝ ROPNÝ PLYN (Propán) G31	Rýchly (R) Stredný (SR) Pomocný (AUX)	85 A 66 A 50	3,00 1,65 1,00	214 g/h 118 g/h 71 g/h	0,70 0,40 0,40	20	30	35

Druh používaného plynu	Konfigurácia modelu 4 HORÁKY	Menovitý tepelný príkon (kW)	Celková menovitá spotreba	Objem vzduchu (m ³) potrebný na spálenie 1 m ³ plynu
G20 20 mbar	1R - 2SR - 1AUX	7,30	695 l/h	9,52
G30 30 mbar	1R - 2SR - 1AUX	7,30	531 g/h	30,94
G31 30 mbar	1R - 2SR - 1AUX	7,30	521 g/h	23,80

ELEKTRICKÉ NAPÁJANIE: 220-240 V ~ 50-60 Hz -1,1W

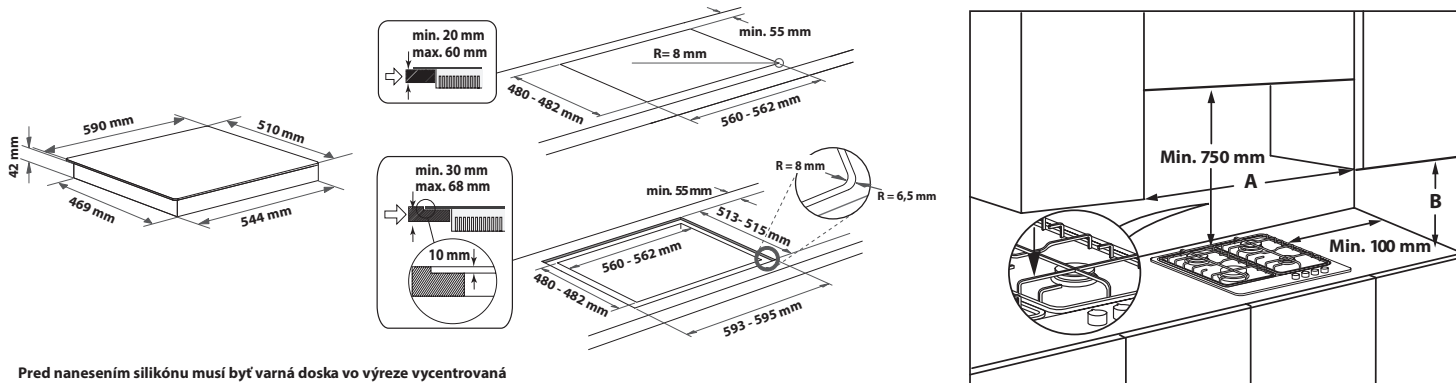


INŠTALÁCIA (TRIEDA 3)

TECHNICKÉ INFORMÁCIE PRE TECHNIKA VYKONÁVAJÚCEHO INŠTALÁCIU

- Pri manipulácii, príprave a inštalácii produktu používajte ochranné rukavice.
- Táto varná doska môže byť zasadená do pracovnej dosky s hrúbkou 20 až 60 mm, so štandardnou inštaláciou. Pre zapustenú montáž 30 ÷ 68 mm.
- Ak pod varnou doskou nie je rúra, namontujte oddeľovací panel s minimálne rovnakou plochou ako je plocha otvoru v pracovnej ploche. Tento panel musí byť umiestnený v maximálnej vzdialenosti 150 mm pod horným povrchom pracovnej plochy, ale nikdy nie menej ako 20 mm od dna varnej dosky. V prípade, že chcete pod varnú dosku umiestniť rúru, musí byť táto rúra vybavená systémom chladenia.

ROZMERY A VZDIALENOSTI, KTORÉ TREBA DODRŽIAVATĚ



POZNÁMKA: ak je vzdialenosť „A“ medzi nástennými skrinkami 600 mm až 730 mm, výška „B“ musí byť minimálne 530 mm. Ak je vzdialenosť „A“ medzi nástennými skrinkami väčšia ako šírka varnej dosky, výška „B“ musí byť minimálne 400 mm. V prípade inštalácie odsávača pár nad varnú plochu dodržiavajte pri inštalácii pokyny k odsávaču o správnych vzdialenostiach.

MONTÁŽ

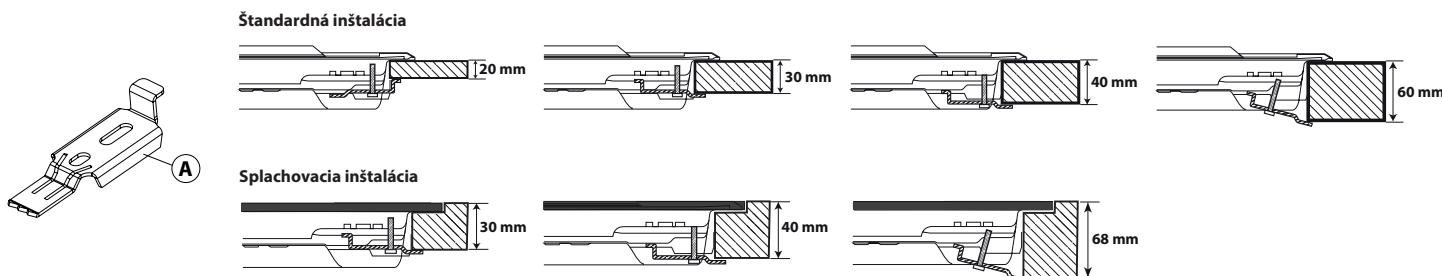
Po vyčistení povrchu obvodu namontujte dodávané tesnenie, ako je zobrazené na obrázku.

Umiestnite varnú dosku v otvore pracovnej plochy, pričom dodržiavajte rozmery uvedené v pokynoch.

POZNÁMKA: prívodný elektrický kábel musí mať dostatočnú dĺžku, aby bolo možné, aj po zapojení, varnú dosku vybrať z pracovnej plochy.

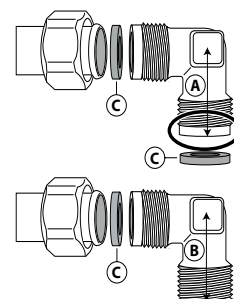


Na upevnenie varnej dosky použite konzoly (A) dodané s varnou doskou. Upevnite konzoly v príslušných otvoroch zobrazených šípkou a upevnite ich prostredníctvom skrutiek, v závislosti od hrúbky pracovnej dosky (pozrite si nasledujúce obrázky).

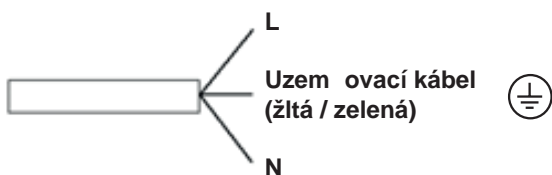


PLYNOVÁ PRÍPOJKA

- Zapojte dodaný ohyb (A)* alebo (B)* ku prípojke varnej dosky, pričom vložte aj dodané tesnenie (C), v súlade s normou EN 549.
- * Ohyb (A) použite vo Francúzsku a ohyb (B) v ostatných krajinách.
- Po pripojení k prívodu plynu vykonajte kontrolu úniku použitím mydlovej vody. Zapáľte horáky a otočte kohútiky z maximálnej polohy do minimálnej polohy by ste skontrolovali stabilitu plameňa.



ELEKTRICKÉ PRIPOJENIE



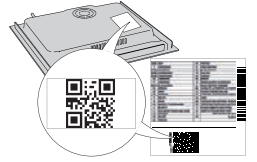


ĎAKUJEME, ŽE STE SI KÚPILI VÝROBOK INDESIT
Aby sme vám mohli lepšie poskytovať pomoc,
zaregistrujte svoj spotrebič na www.indesit.com/register.

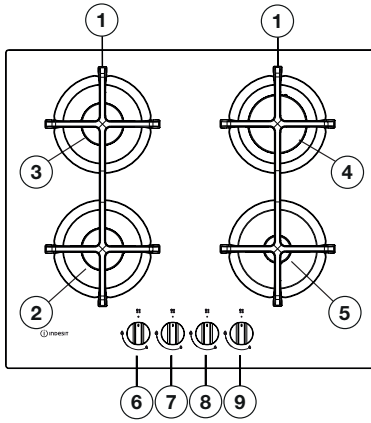


Prv než spotrebič začnete používať, pozorne si prečítajte Bezpečnostné pokyny.

**VIAC INFORMÁCIÍ ZÍSKATE,
AK OSKENUJETE QR KÓD NA
VAŠOM SPOTREBIČI**



OPIS SPOTREBIČA



1. Snímateľná mriežka
2. Stredný horák
3. Stredný horák
4. Rýchly horák
5. Pomocný horák
6. Ovládací gombík stredného horáka
7. Ovládací gombík stredného horáka
8. Ovládací gombík rýchleho horáka
9. Ovládací gombík pomocného horáka

Symbody

- | | | |
|--------------|---|--|
| Plný krúžok | ● | Kohútik je zatvorený |
| Veľký plameň | 🔥 | Maximálne otvorenie alebo výkon/elektrické zapálenie |
| Malý plameň | 🔥 | Minimálne otvorenie alebo znížený prívod plynu |

KAŽDODENNÉ POUŽÍVANIE

AKO POUŽÍVAŤ VARNÚ DOSKU

⚠ Nedovoľte, aby plameň horáka presahoval cez okraj panvice.

DÔLEŽITÉ UPOZORNENIE: počas používania varnej dosky sa môže rozohriať celý jej povrch.

- aby ste zapálili horáky, otočte príslušné ovládacie gombíky smerom vľavo do polohy maximálneho plameňa.
- Zatlačte gombík proti ovládaciemu panelu, aby ste horák zapálili.
- Po zapálení horáka podržte gombík stlačený ešte približne 5–10 sekúnd, aby sa zabezpečila činnosť poistky.
- Táto poistka zastaví unikanie plynu v prípade náhodného zhasnutia plameňa horáka (prievan, momentálne prerušenie dodávky plynu, vykypenie tekutiny na horák atď.).
- **Gombík nesmie ostať stlačený dlhšie ako 15 sekúnd. Ak po uplynutí tejto doby horák neostane horieť, počkajte aspoň jednu minútu, až potom sa pokúste horák znovu zapáliť.**

POZNÁMKA: ak by sa horák následkom špecifických podmienok pri miestnej dodávke plynu ťažko zapaloval, odporúčame vám zopakovať uvedený postup s gombíkom otočeným do polohy malého plameňa.

Horák môže zhasnúť po pustení gombíka. Znamená to, že termoelektrický článok sa nezahrial dostatočne. V tomto prípade zopakujte úkony opísané vyššie. Pri náhodnom zhasnutí plameňa otočte otočný ovládač do polohy odpovedajúcej vypnutiu a pred opätovným pokusom o jeho zapálenie vyčkajte najmenej 1 minútu.

PRAKTICKÉ RADY PRI POUŽÍVANÍ HORÁKOV

Táto varná doska je vybavená horákmi s rôznymi priermi. Na zvýšenie výkonnosti horákov dodržiavajte nasledujúce pravidlá:

- používajte hrnce a panvice s rovnakým priemerom dna, ako je priemer varných zón, alebo o niečo väčším (pozrite tabuľku vpravo);
- používajte iba panvice a hrnce s rovným dnom;
- používajte správne množstvo vody na varenie a na hrncoch používajte pokrievky;
- nedovoľte, aby hrnce na mriežkach presahovali cez okraj varnej dosky;
- v prípade panvíc s vypuklým dnom (wok) použite podpornú mriežku (nie je súčasťou dodávky), ktorú však možno umiestniť iba na viackruhový horák;
- zabráňte nárazom hrncov, mriežok alebo iného kuchynského náradia,
- nenechávajte prázdne nádoby na steaky na zapnutom sporáku dlhšie ako 5 minút.

DÔLEŽITÉ UPOZORNENIE: Nevhodné používanie mriežky môže zapríčiniť poškodenie platne sporáka: nekladte preto mriežku opačne, ani ju neposúvajte po ploche platne.

HORÁK	Ø NÁDOBY
Rýchly	24 až 26 cm
Stredný	16 až 22 cm
Pomocný	8 až 14 cm

Neodporúčame Vám používať:

- Liatinové panvice, kameninové nádoby, hlinené kastroly alebo keramické hrnce.
- Rozptyľovače plameňa vo forme kovovej mriežky alebo iné.
- Použitie dvoch horákov súčasne pre jednu oválnu nádobu (napr. na prípravu ryby).

Kvapaliny rozliate na horúci povrch varnej dosky môžu spôsobiť poškodenie skla.

REGULÁCIA PRE ODLIŠNÉ DRUHY PLYNU

⚠ Tento úkon musí vykonať vyškolený technik.

Ak má byť spotrebič napájaný iným plynom ako je uvedené na štítku s technickými údajmi a na informačnej nálepke umiestnenej na varnej doske, vymeňte dýzy. Odlepte informačnú nálepku a nalepte ju do návodu na použitie.

Použite regulátory tlaku vhodné pre tlak plynu uvedený v Pokynoch:

- Plynový vstrekovač musia vymeniť v popredajovom servise alebo to musí vykonať kvalifikovaný technik er;
- Vstrekovač sa nedodáva so spotrebičom, musíte ho objednať prostredníctvom popredajového servisu;
- Upravte minimálne nastavenie kohútov.

POZNÁMKA: pri používaní skvapalneného ropného plynu (G30/G31), musí byť skrútnka minimálneho nastavenia plynu čo najviac zatiahnutá.

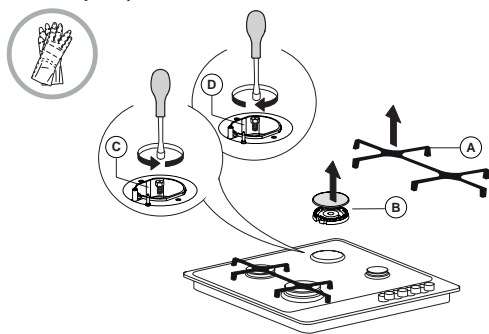
DÔLEŽITÉ UPOZORNENIE: ak by ste mali ťažkosti s otočením gombíkov horákov, prosím, kontaktujte pracovníkov servisu, aby ventil horáka vymenili, ak je chybný.

DÔLEŽITÉ UPOZORNENIE: ak sa používa tlaková plynová nádoba, tlaková plynová nádoba alebo plynový zásobník musia byť správne osadené (vertikálne smerovanie).

VÝMENA DÝZ (pozrite tabuľku dýz v Bezpečnostných pokynoch)

⚠ Tento úkon musí vykonať vyškolený technik.

- Odstráňte mriežky (A).
- Vyberte horáky (B).
- Použitím nástrčného kľúča vhodnej veľkosti odskrutkujte dýzu (C), ktorú treba vymeniť.
- Nahraďte vhodnou dýzou pre nový druh plynu.
- Znovu namontujte dýzu v (D).



Pred inštaláciou varnej dosky nezabudnite pripevniť štítok s kalibráciou plynu, ktorý sa dodáva s dýzami tak, aby zakryl existujúce informácie týkajúce sa kalibrácie plynu.

ČISTENIE A ÚDRŽBA

⚠ Odpojte prístroj od elektrického napájania.

ČISTENIE POVRCHU VARNEJ DOSKY

- Všetky smaltované a sklenené časti sa musia čistiť teplou vodou s prídavkom neutrálneho čistiaceho prostriedku.
- Na antikorových povrchoch môžu ostať škvrny vodného kameňa alebo škvrny po dlhodobom pôsobení agresívneho čistiaceho prostriedku. Ak niečo vykypelo (voda, omáčka, káva a pod.), odstráňte zvyšky ešte predtým, ako sa priškvaria.
- Povrch čistite teplou vodou a neutrálnym čistiacim prostriedkom, potom osušte mäkkou handrou alebo jelenicou. Zapečené škvrny odstráňte špeciálnym čističom na antikorové povrchy.

POZNÁMKA: antikorový povrch čistíte výhradne mäkkou handrou alebo špongiou.

- Nepoužívajte abrazívne alebo korozívne prostriedky, čističe s obsahom chlóru alebo drôtenky na panvice..
- Nepoužívajte spotrebiče využívajúce na čistenie paru.
- Nepoužívajte horľavé výrobky.
- Nenechajte na varnej doske pôsobiť kyselinu alebo alkalické látky, ako ocot, horčicu, soľ, cukor alebo citrónovú šťavu.

RIEŠENIE PROBLÉMOV

Ak by varná doska nefungovala správne, predtým, ako zavoláte servis, skúste problém vyriešiť pomocou príručky na odstraňovanie problémov.

1. Ak sa horák nedá zapáliť alebo plameň nie je rovnomerný

Skontrolujte, či:

- Dodávka plynu alebo elektriny nie je prerušená a hlavne, či je otvorený kohút plynovej prípojky.
- Je prázdna tlaková plynová nádoba (kvapalný plyn).
- Otvory horáka nie sú upchaté.
- Koncovka zapalovania nie je špinavá.
- Všetky časti horáka sú umiestnené na svojich miestach.
- V blízkosti varnej dosky nie je prievan.

2. Horák prestane horieť.

Skontrolujte, či:

- Pri zapálení horáka bol gombík stlačený dosť dlho na to, aby sa aktivovalo ochranné zariadenie.
- Otvory horáka v blízkosti termoelektrického článku nie sú upchaté.
- Koncovka bezpečnostnej poistky nie je špinavá.
- Minimálne nastavenie horáka je správne (pozrite príslušnú časť).

UPRAVENIE MINIMÁLNEHO NASTAVENIA PLYNOVÝCH KOHÚTOV

⚠ Tento úkon musí vykonať vyškolený technik.

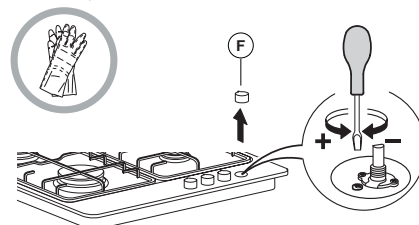
Reguláciu musíte vykonať s kohútom v polohe minimálneho nastavenia (malý plameň) ⚡.

Primárny vzduch horákov nemusíte nastavovať.

Aby ste zabezpečili správne minimálne nastavenie, odstráňte gombík (F) a postupujte ďalej takto:

- utiahnite skrutku, aby ste znížili výšku plameňa (-);
- uvoľnite skrutku, aby ste výšku plameňa zvýšili (+).

V tomto kroku zapáľte horáky a otočte gombíky z maximálnej polohy 🔥 na minimálnu polohu ⚡, aby ste skontrolovali stabilitu plameňa.



Pred ukončením nastavenia znovu utesnite, použite tesniaci vosk alebo iný vhodný materiál.

ČISTENIE DIELCOV VARNEJ DOSKY

- Sklo a smaltované diely čistite výlučne jemnou handričkou alebo špongiou.
- Mriežky, viečka horákov a horáky môžete pred čistením vybrať.
- Umývajte ich ručne v teplej vode a neabrazívnym čistiacim prostriedkom, pozorne odstráňte všetky zvyšky jedál a skontrolujte, či nie sú upchaté otvory horáka.
- Opláchnite a pozorne osušte
- Horáky a viečka horákov vráťte na miesta.
- Pri umiestňovaní mriežok dávajte pozor, aby oblasť polozenia hrncov bola zarovnaná s horákmi.
- **Liatinové rošty možno umývať v umývačke riadu. Pred umiestnením roštov do najspodnejšieho koša umývačky riadu odstráňte všetky pripáleniny.**
- Modely vybavené elektrickým zapalovaním a bezpečnostnou poistkou vyžadujú dokonalé očistenie zapalovania, aby bola zabezpečená ich správna činnosť. Kontrolujte tieto prvky často a podľa potreby ich čistite vlhkou handričkou. Akékoľvek zapečené zvyšky jedál treba odstrániť špáradlom alebo ihlou.

POZNÁMKA: aby ste predišli poškodeniu zariadenia elektrického zapalovania, nepoužívajte ho, keď horáky nie sú na svojich miestach.

3. Nádoby nie sú stabilné.

Skontrolujte, či:

- Dno nádoby je úplne ploché.
- Nádoba je v strede horáka.
- Mriežky nie sú zamenené alebo nesprávne umiestnené.

Ak po horevedených kontrolách porucha pretrváva, zavolajte najbližšie servisné stredisko

Aby sme vám mohli lepšie poskytovať pomoc, zaregistrujte, prosím, svoj spotrebič na www.indesit.com/register.

PREDTÝM, NEŽ ZAVOLÁTE POPREDAJNÝ SERVIS:

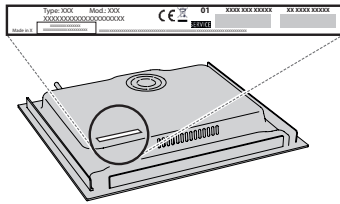
1. Zistite, či nedokážete problém vyriešiť sami s pomocou návrhov riešení uvedených v časti **RIEŠENIE PROBLÉMOV**.
2. Spotrebič vypnite a opäť zapnite, aby ste skontrolovali, či chyba pretrváva.

AK PO KONTROLÁCH UVEDENÝCH VYŠŠIE PORUCHA NAĎALEJ PRETRVÁVA, SPOJTE SA S NAJBLIŽŠÍM AUTORIZOVANÝM SERVISNÝM STREDISKOM.

Ak potrebujete pomoc, volajte na číslo uvedené v záručnej knižke alebo postupujte podľa pokynov na webovej stránke www.indesit.com.

Pri kontaktovaní nášho zákazníckeho popredajného servisu vždy uveďte:

- stručný opis poruchy;
- presný typ a model spotrebiča;



- sériové číslo (číslo uvedené po slove SN na výkonnostnom štítku umiestnenom pod prístrojom). Sériové číslo je tiež uvedené v dokumentácii;



Mod. **xxx xxx**
Ind.C. **xxxx xxxx xxxx**
SN: **xxxx xxxx xxxx**
Prod.N. **xxxx xxxx xxxx**

- vašu úplnú adresu;
- vaše telefónne číslo.

Ak je nevyhnutné spotrebič opraviť, obráťte sa na autorizované servisné stredisko (zaručí sa tým použitie originálnych náhradných dielov a správny postup pri oprave).

Zásady, štandardnú dokumentáciu a ďalšie informácie o výrobku nájdete:

- Použitie QR kódu vo vašom spotrebiči;
- Na našej webovej stránke docs.indesit.eu;
- Prípadne **sa obráťte na náš popredajný servis** (telefónne číslo nájdete v záručnej knižke). Pri kontaktovaní nášho popredajného servisu uveďte, prosím, kódy z výrobného štítku vášho spotrebiča.

