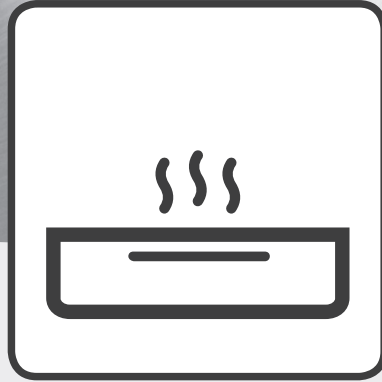


Whirlpool



**Safety instructions, Use and Care and Installation**  
guide  
**Sicherheitshinweise, Gebrauchs- und Installationsanleitung**  
**Consignes de sécurité, d'utilisation et d'entretien et Guide d'installation**  
**Veiligheidsvoorschriften, Gebruiksaanwijzing en Installatiegids**  
Istruzioni per l'uso  
Guía de instrucciones de seguridad, uso y cuidado e instalación  
**Guia de Segurança, Utilização e Manutenção e Instalação**  
**Sikkerhedsforskrifter, Brugs- og pleje- og installationsvejledning**  
**Turvallisuusohjeet, Käyttö-, huolto- ja asennusopas**  
**Sikkerhetsinstrukser, Bruk og pleie og Installasjonsveiledning**  
**Säkerhetsinstruktioner, Användnings- och Skötsel- och Installationsguide**  
تعليمات السلامة، دليل الاستخدام والعناية والتركيب

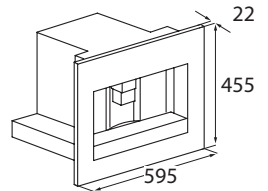
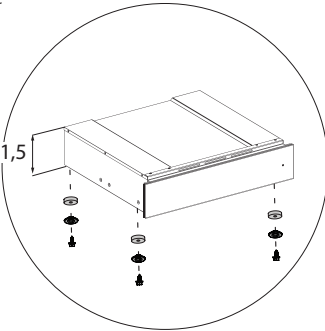
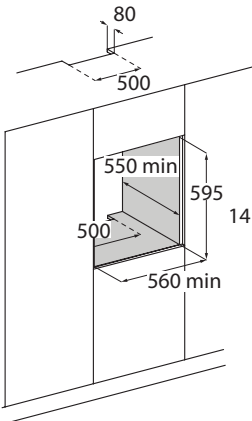
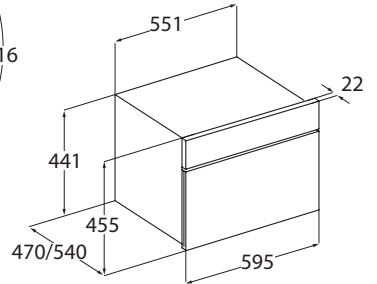
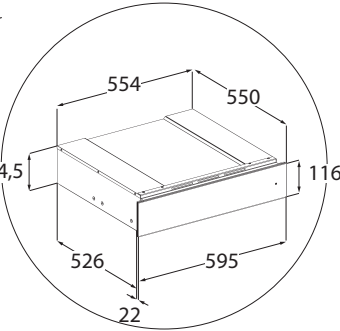
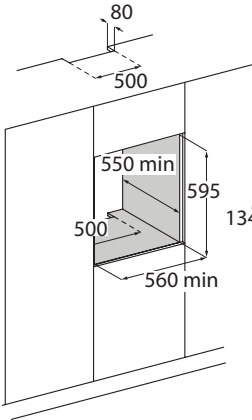
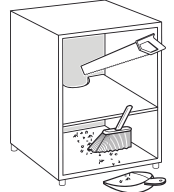
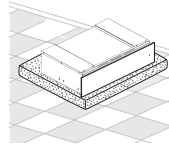
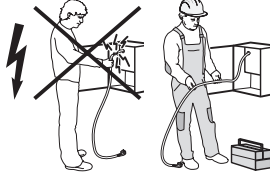
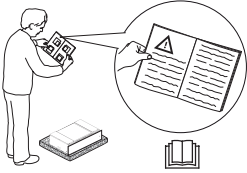
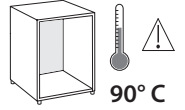
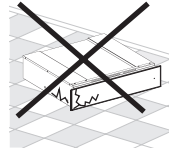
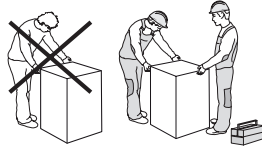
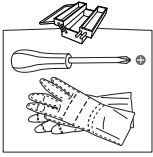


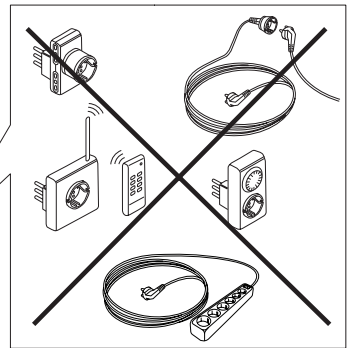
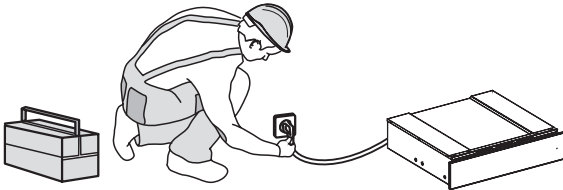
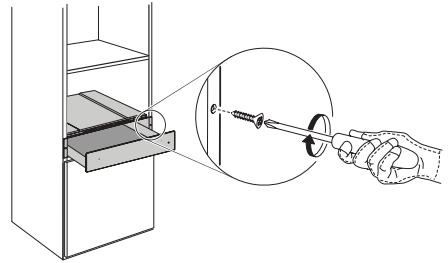
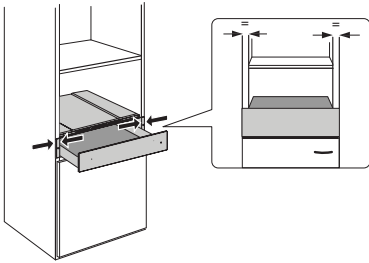
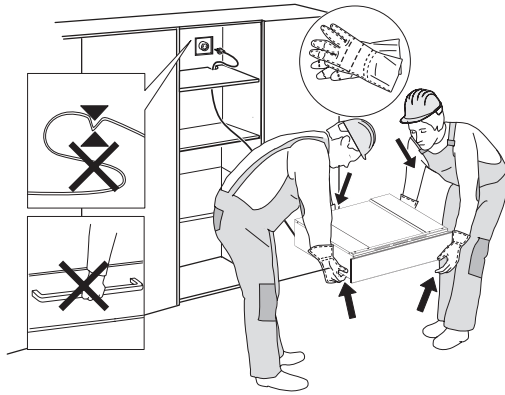
[www.whirlpool.eu/register](http://www.whirlpool.eu/register)





⚙️ x 2





# INSTRUCTIONS FOR USE

	<b>Page</b>
<b>SAFETY INSTRUCTIONS</b>	<b>6</b>
<b>BEFORE USING THE WARMING DRAWER</b>	<b>9</b>
<b>INSTALLATION</b>	<b>9</b>
<b>HOW TO USE THE PRODUCT</b>	<b>10</b>
<b>CONTROL PANEL DESCRIPTION</b>	<b>10</b>
<b>WARMING DRAWER</b>	<b>10</b>
<b>OPERATION</b>	<b>10</b>
<b>TEMPERATURE SELECTION</b>	<b>11</b>
<b>WARMING TIMES</b>	<b>11</b>
<b>LOAD CAPACITY</b>	<b>11</b>
<b>CLEANING AND MAINTENANCE</b>	<b>12</b>
<b>TROUBLESHOOTING GUIDE</b>	<b>12</b>
<b>AFTER-SALES SERVICE</b>	<b>13</b>

# SAFETY INSTRUCTIONS

# IMPORTANT TO BE READ AND OBSERVED

Before using the appliance, read these safety instructions. Keep them nearby for future reference. These instructions and the appliance itself provide important safety warnings, to be observed at all times. The manufacturer declines any liability for failure to observe these safety instructions, for inappropriate use of the appliance or incorrect setting of controls.

⚠ Very young children (0-3 years) should be kept away from the appliance. Young children (3-8 years) should be kept away from the appliance unless continuously supervised. Children from 8 years old and above and persons with reduced physical, sensory or mental capabilities or lack of experience and knowledge can use this appliance only if they are supervised or have been given instructions on safe use and understand the hazards involved. Children must not play with the appliance. Cleaning and user maintenance must not be carried out by children without supervision.

⚠ **WARNING:** The appliance and its accessible parts become

hot during use. Care should be taken to avoid touching heating elements. Children less than 8 years of age must be kept away unless continuously supervised.

⚠ Never leave the appliance unattended during food drying.

⚠ Keep clothes or other flammable materials away from the appliance, until all the components have cooled down completely - risk of fire. Always be vigilant when cooking foods rich in fat, oil or when adding alcoholic beverages - risk of fire. Use oven gloves to remove pans and accessories. At the end of cooking, open the door with caution, allowing hot air or steam to escape gradually before accessing the cavity - risk of burns. Do not obstruct hot air vents at the front of the appliance - risk of fire.

⚠ Exercise caution when the appliance is in the open position, to avoid hitting the door.

## **PERMITTED USE**

⚠ **CAUTION:** The appliance is not intended to be operated by means of an external switching device, such as a timer, or separate remote controlled system.

⚠ This appliance is intended to be used in household and similar applications such as: staff kitchen areas in shops, offices and other working environments; farm houses; by clients in hotels, motels, bed & breakfast and other residential environments.

⚠ No other use is permitted (e.g. heating rooms).

⚠ This appliance is not for professional use. Do not use the appliance outdoors.

⚠ Do not store explosive or flammable substances (e.g. gasoline or aerosol cans) inside or near the appliance - risk of fire.

### **INSTALLATION**

⚠ The appliance must be handled and installed by two or more persons - risk of injury. Use protective gloves to unpack and install - risk of cuts.

⚠ Installation, including water supply (if any) and electrical connections, and repairs must be carried out by a qualified technician. Do not repair or replace any part of the appliance unless specifically stated in the user manual. Keep children away from the installation site. After unpacking the appliance, make sure that it has not been damaged during transport. In the event of problems, contact the dealer or your nearest After-sales Service. Once installed, packaging waste (plastic, styrofoam parts etc.)

must be stored out of reach of children - risk of suffocation. The appliance must be disconnected from the power supply before any installation operation - risk of electrical shock. During installation, make sure the appliance does not damage the power cable - risk of fire or electrical shock. Only activate the appliance when the installation has been completed.

⚠ Carry out all cabinet cutting works before fitting the appliance in the furniture and remove all wood chips and sawdust.

Do not remove the appliance from its polystyrene foam base until the time of installation.

⚠ After installation, the bottom of the appliance must no longer be accessible - risk of burn.

⚠ Do not install the appliance behind a decorative door - risk of fire.

### **ELECTRICAL WARNINGS**

⚠ The rating plate is on the front edge of the appliance (visible when the warming drawer is open).

⚠ It must be possible to disconnect the appliance from the power supply by unplugging it if plug is accessible, or by a multi-pole switch installed upstream of the socket in accordance with the wiring rules and the appliance must be earthed in conformity

with national electrical safety standards.

**⚠** Do not use extension leads, multiple sockets or adapters. The electrical components must not be accessible to the user after installation. Do not use the appliance when you are wet or barefoot. Do not operate this appliance if it has a damaged power cable or plug, if it is not working properly, or if it has been damaged or dropped.

**⚠** If the supply cord is damaged, it must be replaced with an identical one by the manufacturer, its service agent or similarly qualified persons in order to avoid a hazard - risk of electrical shock.

**⚠** In case of replacement of power cable, contact an authorized service center.


### **CLEANING AND MAINTENANCE**

**⚠** **WARNING:** Ensure that the appliance is switched off and disconnected from the power supply before performing any maintenance operation; never use steam cleaning equipment - risk of electric shock.

**⚠** Do not use harsh abrasive cleaners or metal scrapers to clean the door glass since they can scratch the surface, which may result in shattering of the glass.


**⚠** Ensure the appliance is cooled down before any cleaning or maintenance. - risk of burn.

### **DISPOSAL OF PACKAGING MATERIALS**

The packaging material is 100% recyclable and is marked with the recycle symbol . The various parts of the packaging must therefore be disposed of responsibly and in full compliance with local authority regulations governing waste disposal.

### **DISPOSAL OF HOUSEHOLD APPLIANCES**

This appliance is manufactured with recyclable or reusable materials. Dispose of it in accordance with local waste disposal regulations. For further information on the treatment, recovery and recycling of household electrical appliances, contact your local authority, the collection service for household waste or the store where you purchased the appliance. This appliance is marked in compliance with European Directive 2012/19/EU, Waste Electrical and Electronic Equipment (WEEE) and with the Waste Electrical and Electronic Equipment regulations 2013 (as amended). By ensuring this product is disposed of correctly, you will help prevent negative consequences for the environment and human health.

The  symbol on the product or on the accompanying documentation indicates that it should not be treated as domestic waste but must be taken to an appropriate collection center for the recycling of electrical and electronic equipment.

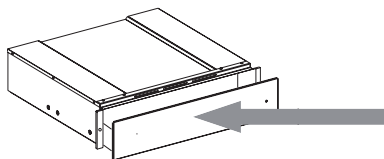


# BEFORE USING THE WARMING DRAWER

To open and close the drawer, push the middle of the panel as shown in the figure.

At first use, clean the appliance as follows:

- clean the surface with a damp cloth and then dry.
  - Preheat the empty drawer for at least two hours: turn the temperature knob to maximum in order to eliminate any residuals of fat, oil or manufacturing resins that can create unpleasant odors during the warming of dishes. Air the room.
  - After completing these operations, the appliance is ready for first use.
- 
- Before use, remove:
    - stickers placed on the front and door of the warming drawer, except the rating plate;
    - keep children away from the product and the packing materials, to avoid interaction with them, if not properly supervised;
    - any stickers from accessories when present.



## INSTALLATION

### Safety instructions for fitting the warming drawer

**IMPORTANT: The drawer must be immediately fixed to the cabinet, following the instructions given below. The coupled appliance cannot be installed before fixing the drawer to the cabinet.**

**Fix the drawer as shown in the figure.**

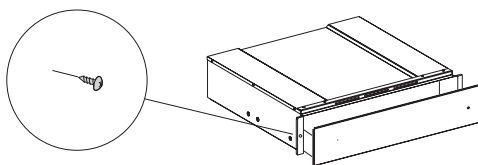
Before electrically connecting the appliance, make sure the rating plate data matches the mains power supply, otherwise the appliance could become damaged.

Make sure the connection to the power supply is easily accessible after the appliance has been fitted.

The warming drawer can only be fitted in combination with other appliances with maximum weight of 60 kg and provided with adequate cooling ventilation.

To install the appliance that can be combined with the dish warmer, follow the instructions given in the relevant use and installation handbook.

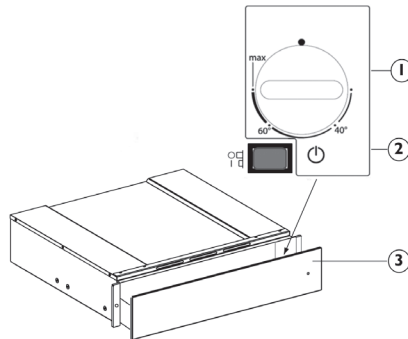
**Important:** The same brand coffee maker or combi microwave oven, sized as shown on the following page, can be installed above the warming drawer. For installation, carefully follow the directions given in the instruction handbooks supplied with the coffee maker and the combi microwave oven.



# HOW TO USE THE PRODUCT

## CONTROL PANEL DESCRIPTION

1. Temperature knob
2. Luminous ON-OFF switch
3. ON-OFF Indicator



## WARMING DRAWER

The control elements are the temperature knob and the luminous ON-OFF switch.

With the switch pressed (position 1), the drawer is on, whereas with the switch released (position 0), the drawer is off.

These elements are only visible when the drawer is open.

When the drawer is closed, a control light located on the front of the appliance indicates if the drawer is on.

## OPERATION

- Place the dishes in the drawer
- Set a temperature
- Turn the appliance on; the switch lights up
- Close the drawer, guiding it carefully
- Turn the appliance off before removing the warmed dishes.

# TEMPERATURE SELECTION

The temperature control knob allows adjustments up to approx. 75°C (max). Turn the temperature knob clockwise until the stop which indicates maximum, and then anticlockwise.

Do not force it beyond the stop, otherwise the thermostat will become damaged.

Temperature adjustment	Instructions for use	
40°C	cups, glasses	Cups and glasses warmed at this temperature help delay the cooling time of the beverage subsequently added. Use gloves to remove containers from the drawer.
60°C	plates	Plates warmed at this temperature help delay the cooling time of food subsequently placed on them. Use gloves to remove containers from the drawer.
MAX approx. 75°C	crocery	The thermostat is set to the maximum temperature. Use gloves to remove containers from the drawer.

## WARMING TIMES

The time required to warm dishes, glasses, etc. depends on various factors:

- Material and thickness of the dishes
- Load
- Arrangement of load
- Temperature setting

Therefore absolute indications cannot be given.

It is advisable to establish the optimum settings required, based on practical experience

## LOAD CAPACITY

The load capacity depends on the height of the appliance and the size of the dishes. Remember that the drawer can take a maximum weight of 25 kg.

# CLEANING AND MAINTENANCE

**Make sure that the appliance has cooled down before carrying out any maintenance or cleaning.**

**Do not use steam cleaners.**

**The appliance must be disconnected from the mains before carrying out any kind of maintenance work.**

**Wear protective gloves.**

**Do not use wire wool, abrasive scourers or abrasive/corrosive cleaning agents, as these could damage the surfaces of the appliance.**

For drawers with iXelium treatment, proceed as follows:

- Use a soft cloth (preferably microfiber) with water or a normal glass cleaning detergent.
- Do not use paper towels, which could leave traces of paper and streaks on the surface.
- Do not use abrasive or corrosive products, chlorine-based products or scouring pads.
- Do not use flammable steam cleaning devices.
- Do not leave acid or alkaline substances, such as vinegar, mustard, salt, sugar or lemon juice, on the surface.

For glass surfaces, proceed as follows:

- Use a neutral detergent and lukewarm water, then dry with a soft cloth.
- Do not leave acid or alkaline substances, such as vinegar, mustard, salt, sugar or lemon juice, on the surface.

## **Tempered glass drawer base**

It is advisable to clean the bottom of the drawer after each use, making sure to let it cool. This will prevent the build-up of dirt and make cleaning easier.

- Use a clean cloth, paper towels and washing up liquid, or specific products for cleaning the tempered glass.
- Do not use abrasive products, bleach, oven cleaner spray or metallic scouring pads.

# TROUBLESHOOTING GUIDE

**If the dishes are not warm enough, check that:**

- the appliance is switched on
- the right temperature has been set
- ventilation openings are not covered by plates or large bowls
- the dishes were not heated long enough.
- the mains switch has not been turned off.

Different factors affect the warming time, for example:

- material and thickness of the dishes, the load and its arrangement, temperature setting.
- The optimum times for warming dishes vary, therefore it is advisable to do tests to establish them according to needs.

# AFTER-SALES SERVICE

## **Before contacting the After-Sales Service:**

1. See if you can solve the problem yourself with the help of the "Troubleshooting guide".
2. Switch the appliance off and then on again to see if the problem has been eliminated.

## **For the following problems, contact a qualified technician or the After-Sales Service:**

### **If the dishes do not get warm:**

- the electrical power cable could be disconnected or damaged.

### **If the dishes get too hot:**

- the temperature controller could be faulty.

### **The On/Off switch does not activate when the appliance is turned on:**

- the switch control indicator is faulty.

## **If the problem persists after the above checks, contact the nearest After-Sales Service.**

Always specify:

- a brief description of the fault;
- the warming drawer type and exact model;
- the Service number (the number after the word Service on the data plate), located on the outer right edge of the drawer runner. The Service number is also given in the warranty booklet;
- your full address;
- your telephone number.

**SERVICE** 00 0000 00000



If any repairs are required, contact an authorized After-Sales Service Center (to ensure the use of original spare parts and correct repairs). Failure to comply with these instructions can compromise the safety and quality of the product.

# BEDIENUNGSANLEITUNG

	<b>Seite</b>
<b>SICHERHEITSHINWEISE</b>	<b>15</b>
<b>VOR DER BENUTZUNG DER WÄRMESCHUBLADE</b>	<b>18</b>
<b>INSTALLATION</b>	<b>18</b>
<b>BEDIENUNG DES PRODUKTES</b>	<b>19</b>
<b>BESCHREIBUNG DES BEDIENFELDES</b>	<b>19</b>
<b>WÄRMESCHUBLADE</b>	<b>19</b>
<b>BETRIEB</b>	<b>19</b>
<b>TEMPERATURAUSWAHL</b>	<b>20</b>
<b>VORWÄRMZEITEN</b>	<b>20</b>
<b>BELADUNGSKAPAZITÄT</b>	<b>20</b>
<b>REINIGUNG UND WARTUNG</b>	<b>21</b>
<b>ANLEITUNG ZUR FEHLERSUCHE</b>	<b>21</b>
<b>KUNDENDIENST</b>	<b>22</b>

Diese Sicherheitsanweisungen vor dem Gebrauch durchlesen. Diese Anweisungen zum Nachschlagen leicht zugänglich aufbewahren.

In diesen Anweisungen sowie auf dem Gerät selbst werden wichtige Sicherheitshinweise angegeben, die durchgelesen und stets beachtet werden müssen. Der Hersteller übernimmt keine Haftung für die Nichtbeachtung dieser Sicherheitshinweise, für unsachgemäße Verwendung des Geräts oder falsche Bedienungseinstellung.

**⚠** Babys und Kleinkinder (0-3 Jahre) müssen vom Gerät ferngehalten werden. Jüngere Kinder (3-8 Jahre) müssen vom Gerät fern gehalten werden, es sei denn, sie werden ständig beaufsichtigt. Dieses Gerät darf von Kindern ab 8 Jahren sowie Personen mit herabgesetzten physischen, sensorischen oder geistigen Fähigkeiten und Mangel an Erfahrung und Kenntnissen nur unter Aufsicht oder nach ausreichender Einweisung durch eine für ihre Sicherheit verantwortliche Person verwendet werden. Kinder dürfen nicht mit dem Gerät spielen. Die Reinigung und Pflege des Gerätes darf von Kindern nicht ohne Aufsicht durchgeführt werden.

**⚠** **WARNUNG:** Das Gerät und die zugänglichen Teile werden bei der Benutzung heiß. Das Berühren heißer Teile ist unbedingt zu vermeiden. Kinder unter 8 Jahren dürfen sich dem Gerät nur unter Aufsicht nähern.

**⚠** Lassen Sie das Gerät während des Dörrens von Speisen niemals unbeaufsichtigt.

**⚠** Kleidung oder andere brennbare Materialien vom Gerät fernhalten, bis alle Komponenten vollständig abgekühlt sind - Brandgefahr. Beim Garen von fett- oder ölhaltigen Speisen oder bei Zugabe von alkoholischen Getränken besonders wachsam sein - Brandgefahr. Zum Entnehmen von Töpfen und Zubehörteilen immer Schutzhandschuhe verwenden. Nach Ende des Garens die Tür vorsichtig öffnen, damit heißer Dampf langsam entweichen kann, bevor in den Backofen gelangt wird - Verbrennungsgefahr. Die Warmluftklappen an der Vorderseite des Geräts nicht abdecken - Brandgefahr.

**⚠** Vorsichtig vorgehen, wenn das Gerät geöffnet ist, um zu vermeiden, dass Sie an die Tür stoßen.

## **ZULÄSSIGE NUTZUNG**

**⚠** **VORSICHT:** Das Gerät ist nicht für den Betrieb mit einer externen Schaltvorrichtung, z. B. einem

Timer oder einer separaten Fernbedienung, ausgelegt.

⚠ Dieses Gerät ist für Haushaltsanwendungen und ähnliche Anwendungen konzipiert, zum Beispiel: Mitarbeiterküchen im Einzelhandel, in Büros oder in anderen Arbeitsbereichen; Gutshäuser; für Gäste in Hotels, Motels, Frühstückspensionen und anderen Wohneinrichtungen.

⚠ Jegliche andere Art der Nutzung (z. B. Aufheizen von Räumen) ist untersagt.

⚠ Dieses Gerät eignet sich nicht für den professionellen Einsatz. Das Gerät ist nicht für die Benutzung im Freien geeignet.

⚠ Keine explosiven oder entzündbaren Stoffe (z.B. Benzin oder Sprühdosen) in dem oder in der Nähe des Gerätes lagern - Brandgefahr.

### **INSTALLATION**

⚠ Zum Transport und zur Installation des Gerätes sind zwei oder mehrere Personen erforderlich - Verletzungsgefahr. Schutzhandschuhe zum Auspacken und zur Installation verwenden - Risiko von Schnittverletzungen.

⚠ Die Installation, einschließlich der Wasserversorgung (falls vorhanden) und elektrische Anschlüsse und Reparaturen müssen von einem qualifizierten Techniker durchgeführt werden. Das Gerät nicht selbst reparieren und keine Teile austauschen, wenn dies von der Bedienungsanleitung nicht

ausdrücklich vorgesehen ist. Kinder vom Installationsort fern halten. Prüfen Sie das Gerät nach dem Auspacken auf Transportschäden. Bei auftretenden Problemen wenden Sie sich bitte an Ihren Händler oder den Kundenservice. Nach der Installation müssen Verpackungsabfälle (Kunststoff, Styroporteile usw.) außerhalb der Reichweite von Kindern aufbewahrt werden - Erstickungsgefahr. Das Gerät vor Installationsarbeiten von der Stromversorgung trennen - Stromschlaggefahr. Während der Installation sicherstellen, das Netzkabel nicht mit dem Gerät selbst zu beschädigen - Brand- oder Stromschlaggefahr. Das Gerät erst starten, wenn die Installationsarbeiten abgeschlossen sind.

⚠ Den Einbauschränk vor dem Einschleiben des Gerätes auf das Einbaumaß zurechtschneiden und alle Sägespäne und Schnittreste entfernen.

Das Gerät erst unmittelbar vor der Installation von der Polystyrolunterlage nehmen.

⚠ Der Geräteboden darf nach der Installation nicht mehr zugänglich sein - Verbrennungsgefahr.

⚠ Das Gerät nicht hinter einer dekorativen Tür installieren - Brandgefahr.

### **HINWEISE ZUR ELEKTRIK**

⚠ Das Typenschild befindet sich an der Vorderkante des Gerätes (bei offener Wärmeschublade sichtbar).



⚠ Es muss gemäß den Verdrahtungsregeln möglich sein, den Netzstecker des Gerätes zu ziehen, oder es mit einem Trennschalter, welcher der Steckdose vorgeschaltet ist, auszuschalten. Das Gerät muss im Einklang mit den nationalen elektrischen Sicherheitsbestimmungen geerdet sein.

⚠ Verwenden Sie keine Verlängerungskabel, Mehrfachstecker oder Adapter. Nach der Installation dürfen Stromführende Teile für den Benutzer nicht mehr zugänglich sein. Das Gerät nicht bedienen, wenn Sie nasse Hände haben oder barfuß sind. Das Gerät nicht verwenden, wenn das Netzkabel oder der Stecker beschädigt sind, wenn es nicht einwandfrei funktioniert, wenn es heruntergefallen ist oder in irgendeiner Weise beschädigt wurde.

⚠ Wenn das Netzkabel beschädigt ist, muss es aus Sicherheitsgründen vom Hersteller, von seinem Kundendienstvertreter oder einer ähnlich qualifizierten Fachkraft mit einem identischen Kabel ersetzt werden - Stromschlaggefahr.

⚠ Zum Austausch des Stromkabels kontaktieren Sie bitte einen autorisierten Kundendienst.

## **REINIGUNG UND WARTUNG**


⚠ **WARNUNG:** Vor der Durchführung von Wartungsarbeiten, sicherstellen, dass das Gerät ausgeschaltet

und von der Stromversorgung getrennt ist. Verwenden Sie niemals Dampfreiniger - Stromschlaggefahr.

⚠ Keine Scheuermittel oder Metallschaber verwenden, um die Glasoberfläche in der Tür zu reinigen. Hierbei kann die Oberfläche verkratzt werden, was zu Glasbruch führen kann.


⚠ Vor der Reinigung oder Wartung sicherstellen, dass das Gerät abgekühlt ist. - Verbrennungsgefahr.

## **ENTSORGUNG VON VERPACKUNGSMATERIALIEN**

Das Verpackungsmaterial ist zu 100 % wiederverwertbar und trägt das Recycling-Symbol . Werfen Sie das Verpackungsmaterial deshalb nicht einfach weg, sondern entsorgen Sie es gemäß den geltenden örtlichen Vorschriften.

## **ENTSORGUNG VON HAUSHALTSGERÄTEN**

Dieses Gerät wurde aus recycelbaren oder wiederverwendbaren Werkstoffen hergestellt. Entsorgen Sie das Gerät im Einklang mit den lokalen Vorschriften zur Abfallbeseitigung. Genauere Informationen zu Behandlung, Entsorgung und Recycling von elektrischen Haushaltsgeräten sind bei der örtlichen Behörde, der Müllabfuhr oder dem Händler erhältlich, bei dem das Gerät gekauft wurde. Dieses Gerät ist gemäß der Europäischen Richtlinie 2012/19/EU für Elektro- und Elektronik-Altgeräte (WEEE) gekennzeichnet. Durch Ihren Beitrag zur korrekten Entsorgung dieses Produkts schützen Sie die Umwelt und die Gesundheit Ihrer Mitmenschen.

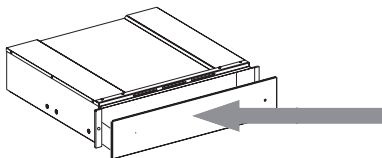
Das Symbol  auf dem Gerät bzw. auf dem beiliegenden Informationsmaterial weist darauf hin, dass dieses Gerät kein normaler Haushaltsabfall ist, sondern in einer Sammelstelle für Elektro- und Elektronik-Altgeräte entsorgt werden muss.

# VOR DER BENUTZUNG DER WÄRMESCHUBLADE

**Drücken Sie zum Öffnen und Schließen der Schublade wie in der Abbildung gezeigt auf die Mitte der Blende.**

Reinigen Sie für die erste Benutzung das Gerät wie folgt:

- Reinigen Sie die Oberfläche mit einem feuchten Tuch und trocknen Sie diese anschließend ab.
  - Heizen Sie die leere Schublade einmal mindestens zwei Stunden lang auf: Drehen Sie den Temperaturknopf auf Höchsttemperatur, um alle Rückstände von Fett, Öl oder Fertigungsharzen zu beseitigen, die unangenehme Gerüche beim Wärmen von Speisen erzeugen können. Sorgen Sie für eine gute Raumbelüftung.
  - Danach ist das Gerät bereit für den ersten Gebrauch.
- Entfernen Sie vor der Benutzung:
    - Aufkleber an der Vorderseite und der Tür der Wärmeschublade, mit Ausnahme der Datenplakette;
    - halten Sie Kinder von diesem Produkt und dem Verpackungsmaterial fern, so dass sie nicht damit spielen können, falls sie unbeaufsichtigt sind;
    - alle Aufkleber von Zubehör, falls vorhanden.



## INSTALLATION

### Sicherheitsanweisungen für den Einbau der Wärmeschublade

**WICHTIG: Die Schublade muss sofort am Küchenmöbel anhand der nachstehend beschriebenen Anweisungen montiert werden. Das angeschlossene Gerät kann nicht installiert werden, bevor nicht die Schublade am Schrank fixiert ist.**

**Befestigen Sie die Schublade wie in der Abbildung gezeigt.**

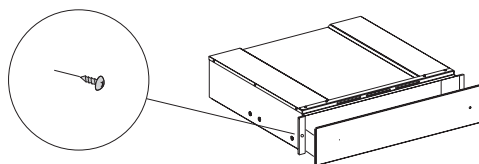
Stellen Sie vor dem Anschluss des Geräts an das Stromnetz sicher, dass die auf der Datenplakette angegebenen Daten mit denen der Netzversorgung übereinstimmen, da im anderen Fall das Gerät Schaden nehmen kann.

Stellen Sie sicher, dass nach der Montage des Geräts der Anschluss an die Netzversorgung leicht zugänglich ist.

Die Wärmeschublade darf nur zusammen mit anderen Geräten eingebaut werden, die ein max. Gewicht von 60 kg und ein angemessenes Belüftungssystem für die Kühlung haben.

Befolgen Sie für die Installation des mit der Wärmeschublade kombinierten Geräts die Anweisungen, die Sie im entsprechenden Benutzer- und Installationshandbuch finden.

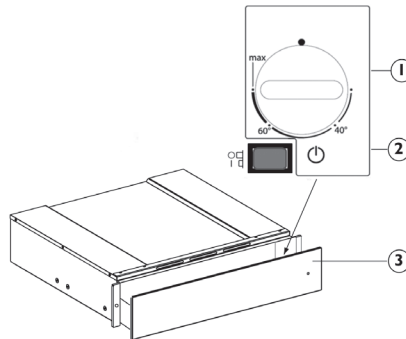
**Wichtig:** Über der Wärmeschublade können eine Kaffeemaschine oder ein Kombibackofen mit Mikrowelle des gleichen Herstellers montiert werden, wie in den Abmessungen auf der folgenden Seite gezeigt wird. Hinsichtlich der Montage der Kaffeemaschine bzw. des Kombibackofens mit Mikrowelle beachten Sie bitte die entsprechenden Anleitungen sorgfältig, die in den mitgelieferten Gebrauchsanweisungen gegeben werden.



# BEDIENUNG DES PRODUKTES

## BESCHREIBUNG DES BEDIENFELDES

1. Temperaturregler
2. Beleuchteter EIN/AUS-Schalter
3. EIN/AUS-Anzeige



## WÄRMESCHUBLADE

Es gibt zwei Bedienelemente, den Temperaturregler und den beleuchteten EIN/AUS-Schalter. Bei eingedrücktem Schalter (Position 1) ist die Wärmeschublade eingeschaltet, bei ausgedrücktem Schalter (Position 0) ist die Wärmeschublade ausgeschaltet. Diese Bedienelemente sind nur bei geöffneter Wärmeschublade sichtbar. Bei geschlossener Wärmeschublade kann anhand der Kontrollleuchte auf der Gerätevorderseite kontrolliert werden, ob die Wärmeschublade eingeschaltet ist.

## BETRIEB

- Stellen Sie das Geschirr in die Wärmeschublade
- Stellen Sie die Temperatur ein
- Schalten Sie das Gerät ein; der Schalter leuchtet auf
- Schließen Sie die Schublade vorsichtig, so dass sie leicht in den Führungen gleitet
- Schalten Sie das Gerät aus, bevor Sie das vorgewärmte Geschirr entnehmen.

# TEMPERATURAUSWAHL

Der Temperaturregler ermöglicht Einstellungen bis zu circa 75°C (max). Drehen Sie den Temperaturregler im Uhrzeigersinn nach rechts, bis der Anschlag das Maximum anzeigt; drehen Sie danach den Regler gegen den Uhrzeigersinn nach links.

Forcieren Sie den Regler nicht über den Anschlag hinaus, sonst wird der Thermostat beschädigt.

Temperatureinstellung	Bedienungsanleitung	
40 °C	Tassen, Gläser	Tassen und Gläser, die mit dieser Temperatur erwärmt werden, tragen dazu bei, dass sich die Speisen, die darauf gelegt werden, nicht so schnell abkühlen. Verwenden Sie Handschuhe zum Entnehmen der Behälter aus der Schublade.
60 °C	Teller	Teller, die mit dieser Temperatur erwärmt werden, tragen dazu bei, dass sich die Speisen, die darauf gelegt werden, nicht so schnell abkühlen. Verwenden Sie Handschuhe zum Entnehmen der Behälter aus der Schublade.
MAX circa 75°C	Geschirr	Das Thermostat ist auf die maximale Temperatur eingestellt. Verwenden Sie Handschuhe zum Entnehmen der Behälter aus der Schublade.

## VORWÄRMZEITEN

Die Zeit, die für das Vorwärmen von Tellern, Gläsern usw. erforderlich ist, hängt von verschiedenen Faktoren ab:

- Material und Stärke des Geschirrs
- Beladung
- Anordnung der Beladung
- Temperatureinstellung

Daher können hierzu keine allgemein gültigen Angaben gemacht werden.

Es empfiehlt sich, die erforderlichen optimalen Einstellungen aufgrund der praktischen Erfahrung einzustellen

## BELADUNGSKAPAZITÄT

Die Beladungskapazität hängt von der Höhe des Gerätes und von den Abmessungen des Geschirrs ab.

Bitte beachten Sie, dass die Schublade maximal 25 kg Geschirr aufnehmen kann.

# REINIGUNG UND WARTUNG

**Vor dem Ausführen beliebiger Wartungs- oder Reinigungsarbeiten sicherstellen, dass das Gerät abgekühlt ist.**

**Keine Dampfreiniger verwenden.**

**Vor dem Ausführen beliebiger Wartungsarbeiten muss das Gerät von der Stromversorgung getrennt sein.**

**Schutzhandschuhe tragen.**

**Keine Stahlwolle, Scheuermittel oder aggressive/ätzende Reinigungsmittel verwenden, da diese die Flächen des Gerätes beschädigen können.**

Bei Schubladen, die mit iXelium behandelt wurden, gehen Sie bitte wie folgt vor:

- Verwenden Sie ein weiches Tuch (am besten Mikrofaser) und Wasser oder einen normalen Glasreiniger.
- Verwenden Sie keine Papiertücher, da diese Papierstückchen und Streifen auf der Oberfläche hinterlassen könnten.
- Benutzen Sie keine scheuernden oder ätzenden Mittel, Bleichlaugen auf Chlorbasis oder Topfkratzer.
- Verwenden Sie keinen entzündlichen Dampfreiniger.
- Lassen Sie keine säurehaltigen oder alkalischen Substanzen wie Essig, Senf, Salz, Zucker oder Zitronensaft auf der Oberfläche zurück.

Zur Reinigung der Glasflächen gehen Sie bitte wie folgt vor:

- Verwenden Sie einen Neutralreiniger und lauwarmes Wasser, und trocknen Sie mit einem weichen Tuch nach.
- Lassen Sie keine säurehaltigen oder alkalischen Substanzen wie Essig, Senf, Salz, Zucker oder Zitronensaft auf der Oberfläche zurück.

## **Schublade mit Glaskeramik**

Es wird empfohlen, den unteren Bereich der Wärmeschublade nach jedem Gebrauch zu reinigen, sobald sie gut abgekühlt ist.

Dies vermeidet Schmutzablagerungen und erleichtert das Reinigen.

- Verwenden Sie ein sauberes Tuch, Küchenpapier und ein Hand-Geschirrspülmittel oder spezielle Reinigungsmittel für Glaskeramik-Oberflächen.
- Benutzen Sie keine Scheuer- oder Bleichmittel, Backofensprays oder Metallschwämmchen.

# ANLEITUNG ZUR FEHLERSUCHE

**Wenn sich das Geschirr nicht genug erwärmt, prüfen Sie, ob:**

- das Gerät eingeschaltet ist
- die richtige Temperatur eingestellt ist
- die Belüftungsöffnungen nicht durch Teller oder große Schüsseln zugestellt sind
- das Geschirr nicht lange genug erwärmt wurde
- der Hauptschalter nicht etwa ausgeschaltet wurde.

Die Vor-/Aufwärmzeit wird von verschiedenen Faktoren beeinflusst, wie z.B:

- Material, Stärke, Menge und Anordnung des Geschirrs/der Speisen, Temperatureinstellung.
- Die optimale Zeit zum Erwärmen kann von Geschirr zu Geschirr unterschiedlich sein; bitte prüfen Sie daher zunächst probeweise, welche Temperatur ideal ist.

# KUNDENDIENST

## **Bevor Sie den Kundendienst rufen:**

1. Versuchen Sie zunächst, die Störung anhand der in „Störung - was tun?“ beschriebenen Anleitungen selbst zu beheben.
2. Schalten Sie das Gerät aus und wieder ein, um festzustellen, ob die Störung behoben ist.

## **Sollten die folgenden Störungen auftreten, wenden Sie sich bitte an eine Fachkraft oder den Kundendienst:**

### **Falls sich das Geschirr nicht erwärmt:**

- kann das Netzkabel vielleicht abgezogen oder beschädigt sein.

### **Falls das Geschirr zu warm wird:**

- kann der Temperaturregler defekt sein.

### **Beim Einschalten des Geräts leuchtet der Ein-/Ausschalter nicht auf:**

- die Kontrollleuchte des Schalters ist defekt.

### **Wenn die Störung nach den Prüfungen oben weiterhin vorhanden ist, wenden Sie sich bitte an Ihren Kundendienst vor Ort.**

Sie benötigen dabei folgende Angaben:

- Eine kurze Beschreibung der Störung,
- Typ und Modellnummer der Wärmeschublade;
- die Servicenummer (die Zahl nach dem Wort Service auf dem Typenschild), sie befindet sich am äußeren rechten Rand der Führung der Wärmeschublade. Die Servicenummer finden Sie auch auf dem Garantieschein;
- Ihre vollständige Anschrift,
- Ihre Telefonnummer.

**SERVICE** 00 0000 00000



Im Reparaturfall wenden Sie sich bitte an eine vom Hersteller autorisierte Kundendienststelle (nur dann wird garantiert, dass Originalersatzteile verwendet werden und eine sachgerechte Reparatur durchgeführt wird). Die Nichtbeachtung dieser Anweisungen kann die Sicherheit und die Qualitätseigenschaften des Geräts gefährden.

# CONSIGNES D'UTILISATION


	Page
CONSIGNES DE SÉCURITÉ	24
AVANT D'UTILISER LE TIROIR CHAUFFANT	27
INSTALLATION	27
COMMENT UTILISER LE PRODUIT	28
DESCRIPTION DU BANDEAU DE COMMANDE	28
TIROIR CHAUFFANT	28
FONCTIONNEMENT	28
RÉGLAGE DE LA TEMPÉRATURE	29
TEMPS DE PRÉCHAUFFAGE	29
CAPACITÉ DE CHARGE	29
NETTOYAGE ET ENTRETIEN	30
GUIDE DE DÉPANNAGE	30
SERVICE APRÈS-VENTE	31

# CONSIGNES DE SÉCURITÉ


## IMPORTANT - À LIRE ET À RESPECTER

Avant d'utiliser l'appareil, lire attentivement les consignes de sécurité. Conservez-les à portée pour consultation ultérieure.


Le présent manuel et l'appareil en question contiennent des consignes de sécurité importantes qui doivent être observées en tout temps. Le Fabricant décline toute responsabilité si les consignes de sécurité ne sont pas respectées, en cas de mauvaise utilisation de l'appareil, ou d'un mauvais réglage des commandes.

 Les enfants en bas âge (0-3 ans) doivent être tenus à l'écart de l'appareil. Les jeunes enfants (3-8 ans) doivent être tenus à l'écart de l'appareil sauf s'ils se trouvent sous surveillance constante. Les enfants âgés de 8 ans et plus, ainsi que les personnes présentant des capacités physiques, sensorielles ou mentales réduites, ou ne possédant ni l'expérience ni les connaissances requises, peuvent utiliser cet appareil seulement s'ils sont supervisés, ou si une personne responsable leur a expliqué l'utilisation sécuritaire et les dangers potentiels de l'appareil. Ne laissez pas les enfants jouer avec l'appareil. Les enfants ne doivent pas nettoyer, ni procéder à l'entretien de l'appareil sans surveillance.

 **AVERTISSEMENT** : L'appareil, ainsi que ses parties accessibles, peuvent atteindre température élevée lors de l'utilisation. Évitez tout contact avec les éléments chauffants. Les enfants de moins de 8 ans doivent être tenus à l'écart de l'appareil, à moins d'être sous surveillance constante.

 Ne laissez jamais l'appareil sans surveillance pendant le séchage des aliments.

 Gardez les vêtements et autres matières inflammables loin de l'appareil jusqu'à ce que toutes les composantes soient complètement refroidies - un incendie pourrait se déclarer. Soyez toujours vigilant lorsque vous faites la cuisson avec des aliments riches en matière grasse, huile, ou lorsque vous ajoutez de l'alcool - un incendie pourrait se déclarer. Utilisez des gants pour retirer les plats et les accessoires. À la fin de la cuisson, ouvrir la porte avec soin pour permettre à l'air chaud ou la vapeur d'évacuer graduellement avec d'accéder la cavité - vous pourriez vous brûler. Évitez d'obstruer les événements d'air chaud à l'avant de l'appareil - un incendie pourrait se déclarer.

 Prenez garde de ne pas heurter la porte de l'appareil lorsqu'elle est ouverte.



## USAGE AUTORISÉ

⚠ MISE EN GARDE : Cet appareil n'est pas conçu pour fonctionner à l'aide d'un dispositif de commutation externe, comme une minuterie ou un système de télécommande.

⚠ Cet appareil est destiné à un usage domestique et peut aussi être utilisé dans les endroits suivants : cuisines pour le personnel dans les magasins, bureaux et autres environnements de travail ; dans les fermes ; Par les clients dans les hôtels, motels, chambres d'hôtes, et autres résidences similaires.

⚠ Aucune autre utilisation n'est autorisée (p. ex. pour chauffer des pièces).

⚠ Cet appareil n'est pas conçu pour une utilisation professionnelle. N'utilisez pas l'appareil en extérieur.

⚠ N'entreposez pas de substances explosives ou inflammables (p. ex. essence ou bombe aérosol) à l'intérieur ou près de l'appareil - un incendie pourrait se déclarer.

## INSTALLATION

⚠ Deux personnes minimum sont nécessaires pour déplacer et installer l'appareil - risque de blessure. Utilisez des gants de protection pour le déballage et l'installation de l'appareil - vous risquez de vous couper.

⚠ L'installation, incluant l'alimentation en eau (selon le modèle), et les connexions électriques, ainsi que les réparations, doivent être exécutées par un

technicien qualifié. Ne procédez à aucune réparation ni à aucun remplacement de pièces sur l'appareil autre que ceux spécifiquement indiqués dans le guide d'utilisation. Gardez les enfants à l'écart du site d'installation. Après avoir déballé l'appareil, assurez-vous qu'il n'a pas été endommagé pendant le transport. En cas de problème, contactez votre revendeur ou le Service Après-Vente le plus proche. Une fois installé, gardez le matériel d'emballage (sacs en plastique, parties en polystyrène, etc.) hors de la portée des enfants - ils pourraient s'étouffer. L'appareil ne doit pas être branché à l'alimentation électrique lors de l'installation - vous pourriez vous électrocuter. Au moment de l'installation, assurez-vous que le câble d'alimentation n'est pas endommagé par l'appareil - vous pourriez vous électrocuter. Allumez l'appareil uniquement lorsque l'installation est terminée.

⚠ Découpez le contour du meuble avant d'y insérer l'appareil, et enlevez soigneusement les copeaux et la sciure de bois.

Retirez l'appareil de sa base en mousse de polystyrène uniquement au moment de l'installation.

⚠ Une fois l'installation terminée, l'accès à la partie inférieure de l'appareil doit être impossible - vous pourriez vous brûler.

⚠ Ne pas installer l'appareil derrière une porte décorative - un incendie pourrait se déclarer.

## ALIMENTATION ÉLECTRIQUE

⚠ La plaque signalétique se trouve sur le rebord avant de l'appareil (visible lorsque la porte est ouverte).

⚠ Il doit être possible de débrancher l'appareil de l'alimentation électrique en retirant la fiche de la prise de courant si elle est accessible, ou à l'aide d'un interrupteur multipolaire en amont de la prise de courant, conformément aux règles de câblage et l'appareil doit être mis à la terre conformément aux normes de sécurité électrique nationales.

⚠ N'utilisez pas de rallonge, de prises multiples ou d'adaptateurs. Une fois l'installation terminée, l'utilisateur ne devra plus pouvoir accéder aux composantes électriques. N'utilisez pas l'appareil si vous êtes mouillé ou si vous êtes pieds nus. N'utilisez pas cet appareil si le câble d'alimentation ou la prise de courant sont endommagés, si l'appareil ne fonctionne pas correctement, ou s'il a été endommagé ou échappé.

⚠ Si le câble d'alimentation est endommagé, il doit être remplacé par un câble identique provenant du fabricant, d'un représentant du Service Après-vente, ou par toute autre personne qualifiée - vous pourriez vous électrocuter.

⚠ Si le câble d'alimentation doit être remplacé, contactez un centre de Service Après-vente autorisé.


## NETTOYAGE ET ENTRETIEN

⚠ AVERTISSEMENT : Assurez-vous que l'appareil est éteint et débranché du réseau électrique avant d'effectuer l'entretien - vous pourriez vous électrocuter ; n'utilisez jamais un appareil de nettoyage à vapeur - risque de choc électrique.

⚠ N'utilisez pas de produits abrasifs ou de grattoirs métalliques tranchants pour nettoyer la vitre de la porte, ils peuvent égratigner la surface et, à la longue, briser le verre.

⚠ Laissez refroidir l'appareil avant de le nettoyer ou effectuer l'entretien. - vous pourriez vous brûler.

## MISE AU REBUT DES MATÉRIAUX D'EMBALLAGE

Les matériaux d'emballage sont entièrement recyclables comme l'indique le symbole de recyclage . Les différentes parties de l'emballage doivent donc être jetées de manière responsable et en totale conformité avec la réglementation des autorités locales régissant la mise au rebut de déchets.

## MISE AU REBUT DES APPAREILS ÉLECTROMÉNAGERS

Cet appareil est fabriqué à partir de matériaux recyclables ou réutilisables. Mettez-le au rebut en vous conformant aux réglementations locales en matière d'élimination des déchets. Pour toute information supplémentaire sur le traitement et le recyclage des appareils électroménagers, contactez le service local compétent, le service de collecte des déchets ménagers ou le magasin où vous avez acheté l'appareil. Cet appareil est certifié conforme à la Directive européenne 2012/19/UE relative aux déchets d'équipements électriques et électroniques (DEEE). En vous assurant que l'appareil est mis au rebut correctement, vous pouvez aider à éviter d'éventuelles conséquences négatives sur l'environnement et la santé humaine.

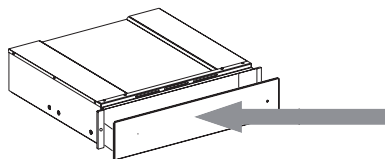
Le symbole  sur le produit ou sur la documentation qui l'accompagne indique qu'il ne doit pas être traité comme un déchet domestique, mais doit être remis à un centre de collecte spécialisé pour le recyclage des appareils électriques et électroniques.

# AVANT D'UTILISER LE TIROIR CHAUFFANT

**Pour ouvrir et fermer le tiroir, appuyez au milieu du panneau frontal comme le montre la figure.**

Avant d'utiliser l'appareil pour la première fois :

- nettoyez la surface à l'aide d'un chiffon humide, puis essuyez.
  - Préchauffez le tiroir à vide pendant au moins deux heures : tournez le bouton de température au maximum afin d'éliminer les éventuels résidus de graisse, d'huile ou les résines de fabrication qui peuvent créer des odeurs désagréables pendant le chauffage des plats. Aérez la pièce.
  - Après avoir terminé ces opérations, l'appareil est prêt à l'emploi.
- Avant toute utilisation, retirez :
    - retirez les autocollants appliqués en façade et sur la porte du tiroir chauffant, exception faite de la plaque signalétique ;
    - ne laissez pas d'enfants sans surveillance s'approcher du produit et des matériaux d'emballage ;
    - retirez les autocollants éventuellement appliqués sur les accessoires.



## INSTALLATION

### Consignes de sécurité pour l'installation du tiroir chauffant

**IMPORTANT: Le tiroir doit être immédiatement fixé au meuble en procédant comme indiqué ci-dessous. L'appareil associé ne peut pas être installé si le tiroir n'a pas été fixé au meuble.**

**Fixez le tiroir comme le montre la figure.**

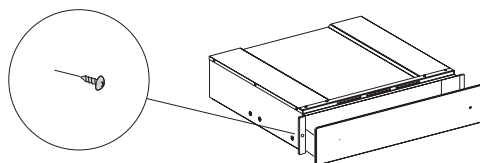
Avant de brancher l'appareil, vérifiez que la tension du secteur correspond bien à la tension indiquée sur la plaque signalétique ; dans le cas contraire, l'appareil pourrait subir des dommages.

Assurez-vous que la prise de courant sera facilement accessible après l'installation de l'appareil.

Le tiroir chauffant peut uniquement être installé en association avec d'autres appareils ayant un poids maximum de 60 kg et dotés d'un système de refroidissement adéquat.

Pour installer l'appareil qui peut être associé au chauffe-plat, procédez comme décrit dans sa notice d'utilisation et d'installation.

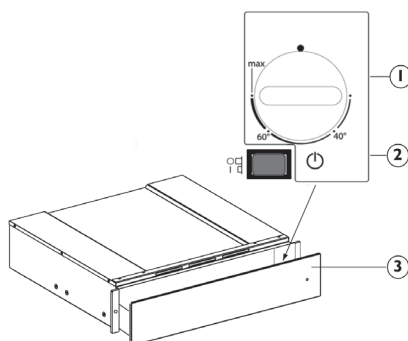
**Important :** La machine à café ou le four à micro-ondes combiné de la même marque et aux dimensions conformes aux indications page suivante peuvent être installés au-dessus du tiroir. Procédez à l'installation en suivant les instructions fournies dans la notice d'emploi fournie avec la machine à café ou du four à micro-ondes combiné.



# COMMENT UTILISER LE PRODUIT

## DESCRIPTION DU BANDEAU DE COMMANDE

1. Bouton de réglage de la température
2. Interrupteur lumineux Marche-Arrêt
3. Voyant de mise sous tension



## TIROIR CHAUFFANT

L'appareil est équipé d'un bouton de réglage de la température et d'un interrupteur de marche/arrêt.

Le tiroir est allumé lorsque l'interrupteur est enfoncé (position 1), éteint lorsque l'interrupteur est relâché (position 0).

Ces commandes sont visibles uniquement lorsque le tiroir est ouvert.

Quand le tiroir est fermé, un témoin situé à l'avant de l'appareil indique s'il est allumé.

## FONCTIONNEMENT

- Placez la vaisselle dans le tiroir
- Réglez la température
- Allumez l'appareil ; l'interrupteur s'allume
- Refermez le tiroir, en le guidant soigneusement
- Éteignez l'appareil avant de sortir la vaisselle réchauffée.

# RÉGLAGE DE LA TEMPÉRATURE

Le bouton de réglage de la température permet de chauffer le tiroir jusqu'à environ 75°C (max). Tournez le bouton de réglage de la température dans le sens des aiguilles d'une montre jusqu'en butée (qui correspond à la température maximum) puis dans le sens contraire.

Ne forcez jamais le bouton au-delà de la butée pour ne pas endommager le thermostat.

Réglage de la température	Consignes d'utilisation	
40 °C	tasses, verres	En réchauffant les verres et les tasses à cette température, les boissons restent chaudes plus longtemps. Utilisez des gants pour enlever les récipients du tiroir.
60 °C	assiettes	En réchauffant les assiettes à cette température, les aliments restent chauds plus longtemps. Utilisez des gants pour enlever les récipients du tiroir.
MAX env. 75°C	plats	Le thermostat est réglé sur la température maximum. Utilisez des gants pour enlever les récipients du tiroir.

## TEMPS DE PRÉCHAUFFAGE

Le temps nécessaire pour préchauffer des plats, des assiettes, des verres, etc.. dépend de plusieurs facteurs :

- Matériau et épaisseur de la vaisselle
- Charge
- Disposition de la vaisselle
- Réglage de la température

Il n'est donc pas possible de fournir des indications absolues.

Il est conseillé de déterminer les conditions optimales de préchauffage en fonction de son expérience personnelle

## CAPACITÉ DE CHARGE

La capacité de charge dépend de la hauteur de l'appareil et de la taille de la vaisselle à réchauffer.

Toutefois, le tiroir peut supporter un poids maximum de 25 kg.

# NETTOYAGE ET ENTRETIEN

**Assurez-vous que l'appareil est froid avant de le nettoyer ou effectuer des travaux d'entretien.**

**N'utilisez pas de nettoyeur à vapeur. L'appareil doit être débranché de l'alimentation principale avant d'effectuer des travaux d'entretien.**

**Utilisez des gants de protection. N'utilisez pas de laine d'acier, de tampons à récurer abrasifs, ou des détergents abrasifs ou corrosifs, ils pourraient endommager les surfaces de l'appareil.**

Pour les tiroirs avec revêtement iXelium, procédez comme suit :

- utilisez un chiffon doux (de préférence en microfibrés) avec de l'eau ou un produit nettoyant pour vitres.
- N'utilisez pas de serviettes en papier, car elles pourraient laisser des traces et des rayures sur la surface.
- N'utilisez en aucun cas des produits abrasifs ou corrosifs, des produits chlorés ou des tampons métalliques.
- N'utilisez pas d'appareils de nettoyage à la vapeur inflammable.
- Essuyez immédiatement les substances acides ou alcalines (ex. vinaigre, moutarde, sel ou jus de citron, etc.) qui se sont déposées sur la surface.

Pour les surfaces en verre, procédez comme suit :

- utilisez un détergent neutre et de l'eau tiède, puis essuyez avec un chiffon doux.
- Essuyez immédiatement les substances acides ou alcalines (ex. vinaigre, moutarde, sel ou jus de citron, etc.) qui se sont déposées sur la surface.

## **Base en verre trempé**

Il est conseillé de nettoyer le fond du tiroir après chaque utilisation, en prenant soin de le laisser refroidir. Ceci empêche l'accumulation d'impuretés et facilite le nettoyage.

- Pour nettoyer le verre trempé, utilisez un chiffon propre, de l'essuie-tout et du détergent liquide ou un produit d'entretien spécifique pour verre trempé.
- N'utilisez jamais de produits abrasifs, d'eau de Javel, de sprays nettoyants pour four, de tampons à récurer.

# GUIDE DE DÉPANNAGE

**Si la vaisselle ne se réchauffe pas suffisamment, vérifiez si :**

- l'appareil est allumé
- vous avez réglé la bonne température
- les ouvertures de ventilation ne sont pas couvertes par des plats ou autres
- le temps de chauffe n'est pas trop court.
- l'interrupteur principal n'a pas été coupé.

La durée de chauffage dépend de plusieurs facteurs, par exemple :

- du matériau et de l'épaisseur de la vaisselle, de la quantité chargée, de la disposition de la vaisselle, du réglage de la température.
- La durée de chauffage optimale est variable ; il est donc conseillé de faire des essais pour établir la durée la mieux adaptée à chaque situation.

# SERVICE APRÈS-VENTE

## **Avant de contacter le Service après-vente :**

1. Vérifiez d'abord s'il n'est pas possible de remédier par vous-même au défaut à l'aide du « Guide de dépannage ».
2. Éteignez puis rallumez l'appareil pour voir si le problème a été éliminé.

## **En présence de l'un des problèmes suivants, faites toujours appel à un technicien qualifié ou au service après-vente.**

### **Si la vaisselle ne se réchauffe pas :**

- le cordon d'alimentation pourrait être débranché ou endommagé.

### **Si la vaisselle est trop chaude :**

- le régulateur de température pourrait être défectueux.

### **L'interrupteur de Marche/Arrêt ne s'allume pas lorsque l'appareil est sous tension:**

- le voyant de l'interrupteur est défectueux.

### **Si le problème persiste après avoir effectué les vérifications ci-dessus, contactez le Service Après-Vente le plus proche.**

Toujours préciser :

- une brève description du problème;
- le type et le modèle exact de tiroir chauffant ;
- le code service (numéro suivant le mot « Service » sur la plaque signalétique) indiqué sur le bord extérieur droit de la glissière de tiroir. Le numéro de série est également indiqué dans le livret de garantie ;
- votre adresse complète ;
- votre numéro de téléphone.

**SERVICE** 00 0000 00000



Si l'appareil doit être réparé, adressez-vous à un service après-vente agréé (vous aurez ainsi la garantie que les pièces défectueuses seront remplacées par des pièces d'origine et que la réparation de votre appareil sera effectuée correctement). Le non-respect de ces consignes peut compromettre la sécurité et la qualité du produit.

# GEBRUIKSAANWIJZINGEN

	Pagina
<b>VEILIGHEIDSVOORSCHRIFTEN</b>	<b>33</b>
<b>ALVORENS DE VERWARMINGSLADE TE GEBRUIKEN</b>	<b>36</b>
<b>INSTALLATIE</b>	<b>36</b>
<b>GEBRUIK VAN HET PRODUCT</b>	<b>37</b>
<b>BESCHRIJVING BEDIENINGSPANEEL</b>	<b>37</b>
<b>VERWARMINGSLADE</b>	<b>37</b>
<b>WERKING</b>	<b>37</b>
<b>TEMPERATUURKEUZE</b>	<b>38</b>
<b>VERWARMINGSTIJDEN</b>	<b>38</b>
<b>LAADCAPACITEIT</b>	<b>38</b>
<b>REINIGEN EN ONDERHOUD</b>	<b>39</b>
<b>OPSPOREN VAN STORINGEN</b>	<b>39</b>
<b>CONSUMENTENSERVICE</b>	<b>40</b>



# VEILIGHEIDSVOR- SCHRIFTEN

# BELANGRIJK MOET WORDEN GELEZEN EN IN ACHT GENOMEN

Lees voordat u het apparaat gaat gebruikendezeveiligheidsinstructies. Houd ze binnen handbereik voor toekomstige raadpleging.

Deze instructies en het apparaat zelf zijn voorzien van belangrijke veiligheidsaanwijzingen, die te allen tijde moeten worden opgevolgd. De fabrikant kan niet aansprakelijk gesteld worden voor schade die het gevolg is van het niet opvolgen van deze veiligheidsinstructies, oneigenlijk gebruik of een foute programmering van de regelknoppen.

**⚠** Kleine kinderen (0-3 jaar) moeten uit de buurt van het apparaat gehouden worden. Jonge kinderen (3-8 jaar) moeten uit de buurt van het apparaat gehouden worden, tenzij ze constant onder toezicht staan. Kinderen vanaf 8 jaar en personen met verminderde fysieke, sensorische of mentale vermogens of gebrek aan ervaring en kennis, mogen dit apparaat gebruiken indien ze onder toezicht staan of instructies hebben ontvangen over veilig gebruik en de mogelijke gevaren ervan begrijpen. Kinderen mogen niet spelen met het apparaat. De reiniging en het onderhoud mogen niet door kinderen worden uitgevoerd zonder toezicht.

**⚠** **WAARSCHUWING:** Het apparaat en de toegankelijke onderdelen kunnen heet worden tijdens het gebruik. Wees voorzichtig dat u de verwarmingselementen niet aanraakt. Kinderen jonger dan 8 jaar moeten uit de buurt van het apparaat worden gehouden, tenzij er voortdurend toezicht is.

**⚠** Laat het apparaat nooit onbewaakt achter tijdens het droogproces van gerechten.

**⚠** Houd kleding of andere brandbare materialen uit de buurt van het apparaat tot alle onderdelen van het apparaat helemaal zijn afgekoeld - brandgevaar. Let altijd goed op wanneer u voedsel bereid dat rijk is aan vet, olie of wanneer alcoholische dranken toegevoegd worden - risico voor brand. Gebruik ovenwanten om kookpotten en accessoires te verwijderen. Op het einde van de bereiding, open de deur van de oven voorzichtig zodat hete lucht of dampen geleidelijk aan kunnen ontsnappen - risico voor brandwonden. De ventilatieroosters voor warme lucht aan de voorkant van het apparaat mogen niet geblokkeerd worden - risico voor brand.

**⚠** Let op wanneer het apparaat open staat om niet tegen de deur te stoten.

## TOEGESTAAN GEBRUIK

⚠️ **VOORZICHTIG:** het apparaat is niet geschikt voor inwerkingstelling met een externe schakelaar zoals een timer, of een afzonderlijk systeem met afstandsbediening.

⚠️ Dit apparaat is bedoeld voor gebruik in huishoudelijke en gelijkaardige toepassingen zoals: personeelskeukens in winkels, kantoren en overige werkomgevingen; landbouwbedrijven; klanten in hotels, motels, bed & breakfast en andere residentiële omgevingen.

⚠️ Elk ander gebruik is verboden (bijv. als kamerverwarming).

⚠️ Dit apparaat is niet voor professioneel gebruik bestemd. Gebruik het apparaat niet buiten.

⚠️ Bewaar geen explosief of ontvlambaar materiaal (vb. benzine of spuitbussen) in of naast het apparaat - brandgevaar.

## INSTALLATIE

⚠️ Het apparaat moet verplaatst en geïnstalleerd worden door twee of meer personen - risico voor verwondingen. Gebruik beschermende handschoenen om uit te pakken en te installeren - risico voor snijwonden.

⚠️ Laat de installatie, m.i.v. de aansluiting op het waternet (indien van toepassing) en de elektrische aansluitingen en reparaties door een gekwalificeerd technicus verrichten. Repareer of vervang geen enkel onderdeel van het apparaat, behalve als dit expliciet aangegeven wordt

in de gebruikershandleiding. Houd kinderen uit de buurt van de installatieplaats. Controleer na het uitpakken van het apparaat of het tijdens het transport geen beschadigingen heeft opgelopen. Neem in geval van problemen contact op met uw leverancier of de dichtstbijzijnde Consumentenservice. Na de installatie moet het verpakkingsmateriaal (plastic, piepschuim enz.) buiten het bereik van kinderen bewaard worden - risico voor verstikking. Het apparaat moet worden losgekoppeld van het elektriciteitsnet voordat u installatiewerkzaamheden uitvoert - risico voor elektrocutie. Tijdens de installatie dient u ervoor te zorgen dat het apparaat de voedingskabel niet beschadigt - risico voor brand of elektrocutie. Activeer het apparaat alleen als de installatie is voltooid.

⚠️ Voer eerst alle zaagwerkzaamheden uit en verwijder alle spaanders en zaagresten voordat u het apparaat plaatst.

Haal het apparaat pas voor de installatie van de piepschuim bodem.

⚠️ Het onderste gedeelte van het apparaat mag niet meer toegankelijk zijn na de installatie.

⚠️ Installeer het apparaat niet achter een decoratieve deur - brandgevaar.

## ELEKTRISCHE WAARSCHUWINGEN

⚠️ Het typeplaatje bevindt zich op de voorrand van het apparaat (zichtbaar

wanneer de verwarmingslade openstaat).

⚠ Het moet mogelijk zijn het apparaat van het elektriciteitsnet af te koppelen door de stekker uit het stopcontact te halen of via een meerpolige netschakelaar die bovenstreams van het stopcontact is geplaatst conform de bedradingsvoorschriften en het apparaat dient geaard te zijn conform de nationale veiligheidsnormen voor elektriciteit.

⚠ Gebruik geen verlengsnoeren, meervoudige stopcontacten of adapters. Als de installatie voltooid is, mogen de elektrische onderdelen niet meer toegankelijk zijn voor de gebruiker. Gebruik het apparaat niet wanneer u natte voeten hebt of blootsvoets bent. Gebruik het apparaat niet als de stroomkabel of de stekker beschadigd is, als het apparaat niet goed werkt of als het beschadigd of gevallen is.

⚠ Als het netsnoer beschadigd is, moet het vervangen worden door een identiek exemplaar door de fabrikant, een servicevertegenwoordiger of gekwalificeerd personeel om risico's te voorkomen - risico op elektrische schokken.

⚠ Wend u tot een erkend servicecentrum indien de stroomkabel vervangen moet worden.

## **REINIGING EN ONDERHOUD**

⚠ **WAARSCHUWING:** Het apparaat moet worden losgekoppeld van het elektriciteitsnet voordat u

onderhoudswerkzaamheden uitvoert; gebruik geen stoomreinigers - risico van elektrocutie.

⚠ Gebruik geen schurende reinigingsmiddelen of scherpe metalen schrapers voor het reinigen van de ruit, aangezien het glas daardoor bekrast kan raken, waardoor het kan breken.

⚠ Zorg ervoor dat het apparaat is afgekoeld voordat u reinigings- of onderhoudswerkzaamheden uitvoert. - risico van brandwonden.

## **VERWERKING VAN DE VERPAKKING**

De verpakking kan volledig gerecycled worden, zoals door het recyclingssymbool  wordt aangegeven. De diverse onderdelen van de verpakking moeten op verantwoordelijke wijze afgevoerd worden volgens de plaatselijke voorschriften voor de verwerking van het afval.

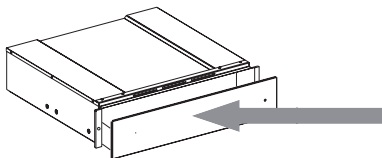
## **AFDANKEN VAN HUISHOUDELIJKE APPARATUUR**

Dit apparaat is vervaardigd van recyclebaar of herbruikbaar materiaal. Dank het apparaat af in overeenstemming met plaatselijke milieuvoorschriften voor afvalverwerking. Voor meer informatie over behandeling, terugwinning en recycling van huishoudelijke apparaten kunt u contact opnemen met uw plaatselijke instantie, de vuilnisophaaldienst of de winkel waar u dit apparaat hebt gekocht. Dit apparaat is voorzien van het merkteken volgens de Europese Richtlijn 2012/19/ EU inzake Afdankte elektrische en elektronische apparaten (AEEA). Door ervoor te zorgen dat dit product correct wordt afgedankt, helpt u mogelijke schadelijke gevolgen voor het milieu en de gezondheid te voorkomen.

Het symbool  op het product of op de begeleidende documentatie geeft aan dat dit apparaat niet als huishoudelijk afval behandeld mag worden, maar dat het ingeleverd moet worden bij een speciaal inzamelingscentrum voor de recycling van elektrische en elektronische apparatuur.

# ALVORENS DE VERWARMINGSLADE TE GEBRUIKEN

**Om de lade te openen en te sluiten, in het midden van het paneel drukken, zoals aangegeven in de afbeelding.**



Maak het apparaat, voordat u het in gebruik neemt, als volgt schoon:

- maak het oppervlak schoon met een vochtige doek en droog het daarna af.
- Laat de lege lade minstens twee uur voorverwarmen: zet de temperatuurknop op maximum om restjes vet, olie of fabricageharsen te elimineren die onaangename geuren kunnen veroorzaken tijdens het verwarmen van serviesgoed. Lucht het vertrek.
- Na voltooiing van deze handelingen is het apparaat klaar voor gebruik.
- Vóór het gebruik moet het volgende worden verwijderd:
  - stickers die op de voorkant en de deur van de verwarmingslade zijn aangebracht, behalve het typeplaatje;
  - houd kinderen uit de buurt van het apparaat en van het verpakkingsmateriaal, om te voorkomen dat ze ermee gaan spelen, indien geen geschikt toezicht wordt gehouden;
  - alle stickers op accessoires, indien aanwezig.

## INSTALLATIE

**Veiligheidsaanwijzingen voor de montage van de verwarmingslade**

**BELANGRIJK:** De lade moet rechtstreeks bevestigd worden aan het meubel, volg hiervoor onderstaande aanwijzingen op. Het gekoppelde apparaat kan niet geïnstalleerd worden voordat de lade aan het meubel is bevestigd.

**Bevestig de lade zoals aangegeven in de afbeelding.**

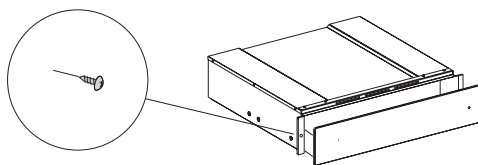
Voordat het apparaat wordt aangesloten op het elektriciteitsnet moet gecontroleerd worden of de gegevens op het typeplaatje overeenkomen met die van de stroomtoevoer, anders zou het apparaat beschadigd kunnen raken.

Zorg ervoor dat de aansluiting op de stroomtoevoer gemakkelijk bereikbaar is nadat het apparaat gemonteerd is.

De verwarmingslade mag uitsluitend worden ingebouwd in combinatie met andere apparaten die maximaal 60 kg wegen en een afdoende koelventilatie hebben.

Om het apparaat dat gecombineerd kan worden met de bordenwarmer te installeren, de aanwijzingen in de betreffende handleiding voor gebruik en installatie opvolgen.

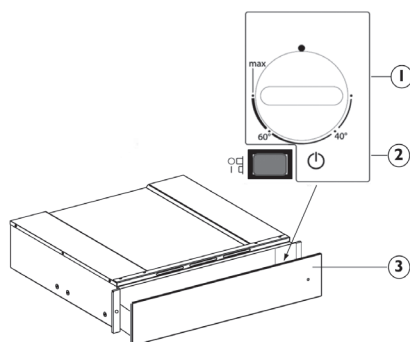
**Belangrijk:** Het koffiezetapparaat of de combi-magnetronoven van hetzelfde merk en met afmetingen zoals aangegeven op de volgende pagina, kunnen boven op de verwarmingslade geïnstalleerd worden. Volg voor de installatie zorgvuldig de aanwijzingen in de instructieboekjes, die zowel bij het koffiezetapparaat als bij de combi-magnetronoven zijn geleverd.



# GEBRUIK VAN HET PRODUCT

## BESCHRIJVING BEDIENINGSPANEEL

1. Temperatuurknop
2. Verlichte ON-OFF-schakelaar
3. ON-OFF-lampje



## VERWARMINGSLADE

De temperatuurknop en de verlichte ON-OFF-schakelaar vormen de bedieningselementen. Als de schakelaar is ingedrukt (stand 1) dan is de lade ingeschakeld, terwijl de lade uitgeschakeld is als de schakelaar losgelaten is (stand 0). Deze elementen zijn alleen zichtbaar als de lade open is. Als de lade dicht is, kunt u aan een controlelampje op de voorkant van het apparaat zien of de lade ingeschakeld is.

## WERKING

- Plaats het serviesgoed in de lade
- Stel een temperatuur in
- Zet het apparaat aan; de schakelaar gaat branden
- Sluit de lade door hem voorzichtig dicht te schuiven
- Schakel het apparaat uit voordat u het verwarmde serviesgoed eruit haalt.

# TEMPERATUURKEUZE

Met de temperatuurregelknop kan een temperatuur van ongeveer (max.) 75°C worden ingesteld. Draai de temperatuurknop rechtsom tot de aanslag die het maximum aangeeft, en daarna linksom.

Draai de knop niet verder dan de aanslag, anders kan de thermostaat beschadigd raken.

Temperatuurinstelling	Gebruiksaanwijzingen	
40 °C	kopjes, glazen	Kopjes en glazen die tot deze temperatuur zijn verwarmd vertragen de afkoelingstijd van dranken die er vervolgens in worden gegoten. Gebruik wanten om de recipiënten uit de lade te verwijderen.
60 °C	borden	Borden die op deze temperatuur zijn verwarmd vertragen de afkoelingstijd van levensmiddelen die er vervolgens op gelegd worden. Gebruik wanten om de recipiënten uit de lade te verwijderen.
MAX ong. 75°C	serviesgoed	De thermostaat is ingesteld op de maximumtemperatuur. Gebruik wanten om de recipiënten uit de lade te verwijderen.

# VERWARMINGSTIJDEN

De tijd die nodig is om de borden, glazen, enz. te verwarmen is afhankelijk van verschillende factoren:

- Materiaal en dikte van het serviesgoed
- Belading
- Opstelling van de lading
- Temperatuurinstelling

Om deze reden is het niet mogelijk absolute aanwijzingen te geven.

Het wordt aanbevolen de vereiste optimale instellingen vast te stellen op basis van praktische ervaring

# LAADCAPACITEIT

De laadcapaciteit is afhankelijk van de hoogte van het apparaat en van de afmetingen van het serviesgoed.

Vergeet niet dat de lade een maximaal gewicht kan dragen van 25 kg.

# REINIGEN EN ONDERHOUD

**Zorg ervoor dat het apparaat afgekoeld is vooraleer te onderhouden of te reinigen.**

**Gebruik geen stoomreinigers.**

**Het apparaat moet worden losgekoppeld van het elektriciteitsnet voordat u onderhoudswerkzaamheden uitvoert.**

**Draag beschermende handschoenen. Gebruik geen staalwol, schuursponsjes of schurende/bijtende reinigingsproducten, omdat deze het oppervlak van het apparaat kunnen beschadigen.**

Ga voor lades die behandeld zijn met iXelium als volgt te werk:

- Gebruik een zachte doek (bij voorkeur microvezel) met water of een normale glasreiniger.
- Gebruik geen keukenpapier, dit kan sporen van papier en strepen op het oppervlak achterlaten.
- Gebruik geen schurende of bijtende producten, producten op basis van chloor of schuursponsjes.
- Gebruik geen brandbare stoomreinigingsapparaten.
- Zorg ervoor dat er geen zure of basische substanties zoals azijn, mosterd, zout, suiker of citroensap op het oppervlak achterblijven.

Ga voor glazen oppervlakken als volgt te werk:

- gebruik een neutraal reinigingsmiddel en lauw water, daarna afdrogen met een zachte doek.
- Zorg ervoor dat er geen zure of basische substanties zoals azijn, mosterd, zout, suiker of citroensap op het oppervlak achterblijven.

## **Bodem van de lade van gehard glas**

Wij adviseren om de bodem van de lade na elk gebruik schoon te maken, controleer of hij afgekoeld is. Dit verhindert vuilophoping en vereenvoudigt het reinigen.

- Gebruik een schone doek, keukenpapier en een afwasmiddel, of specifieke producten voor reiniging van gehard glas.
- Gebruik geen schurende producten, bleekmiddel, reinigingsspuitbussen voor ovens of metalen schuursponsjes.

# OPSPOREN VAN STORINGEN

**Als het serviesgoed niet warm genoeg is, controleer dan of:**

- het apparaat aan staat
- de juiste temperatuur is ingesteld
- ventilatieopeningen niet afgedekt worden door borden of grote kommen
- het serviesgoed werd niet lang genoeg verwarmd.
- de hoofdschakelaar is niet uit gezet.

Er zijn verschillende factoren van invloed op de verwarmingstijd, bijvoorbeeld:

- materiaal en dikte van het servies, omvang van de lading, rangschikking van de lading, temperatuurinstelling.
- De optimale tijdsduur voor het verwarmen van serviesgoed varieert, daarom wordt geadviseerd tests uit te voeren om deze vast te stellen.

# CONSUMENTENSERVICE

## **Voordat u de Klantenservice belt:**

1. Controleer of u het probleem zelf kunt oplossen aan de hand van de punten die beschreven zijn in "Opsporen van storingen".
2. Het apparaat aan- en uitzetten om te controleren of het probleem is opgelost.

## **Voor de volgende problemen dient u zich te wenden tot een gekwalificeerd technicus of tot de Klantenservice:**

### **Als het serviesgoed niet warm wordt:**

- zou de elektrische voedingskabel losgekoppeld of beschadigd kunnen zijn.

### **Als het serviesgoed te heet wordt:**

- de temperatuurregelaar zou defect kunnen zijn.

### **De aan-/uitschakelaar werkt niet als het apparaat wordt aangezet:**

- het controlelampje van de schakelaar is defect.

### **Indien het probleem aanhoudt na de bovenstaande controles, neemt u contact op met de dichtstbijzijnde klantenservice.**

Vermeld altijd:

- een korte beschrijving van de storing;
- type en exact model van de verwarmingslade;
- het servicenummer (dat is het nummer na het woord Service op het typeplaatje) op de rechter buitenrand van de geleider van de lade. Het servicenummer staat ook in het garantieboekje;
- uw volledige adres;
- uw telefoonnummer.

**SERVICE** 00 0000 00000



Wend u, indien reparatie noodzakelijk is, tot een erkende klantenservice (alleen dan heeft u zekerheid dat originele vervangingsonderdelen worden gebruikt en de reparatie correct wordt uitgevoerd). Het niet naleven van deze instructies kan nadelige gevolgen hebben voor de veiligheid en de kwaliteit van het product.



# ISTRUZIONI PER L'USO

	<b>Pagina</b>
<b>NORME DI SICUREZZA</b>	<b>42</b>
<b>PRIMA DI USARE IL CASSETTO RISCALDANTE</b>	<b>45</b>
<b>INSTALLAZIONE</b>	<b>45</b>
<b>COME USARE IL PRODOTTO</b>	<b>46</b>
<b>DESCRIZIONE DEL PANNELLO COMANDI</b>	<b>46</b>
<b>CASSETTO RISCALDANTE</b>	<b>46</b>
<b>FUNZIONAMENTO</b>	<b>46</b>
<b>SELEZIONE DELLA TEMPERATURA</b>	<b>47</b>
<b>TEMPI DI RISCALDAMENTO</b>	<b>47</b>
<b>CAPACITÀ DI CARICO</b>	<b>47</b>
<b>PULIZIA E MANUTENZIONE</b>	<b>48</b>
<b>GUIDA ALLA RICERCA GUASTI</b>	<b>48</b>
<b>SERVIZIO ASSISTENZA</b>	<b>49</b>

Prima di utilizzare l'apparecchio, leggere le seguenti norme di sicurezza. Conservarle per eventuali consultazioni successive.

Queste istruzioni e l'apparecchio sono corredati da importanti avvertenze di sicurezza, da leggere e osservare sempre. Il fabbricante declina qualsiasi responsabilità che derivi dalla mancata osservanza delle presenti istruzioni di sicurezza, da usi impropri dell'apparecchio o da errate impostazioni dei comandi.

**⚠** Tenere i bambini di età inferiore a 3 anni lontani dall'apparecchio. Tenere i bambini di età inferiore agli 8 anni a debita distanza dall'apparecchio, a meno che non siano costantemente sorvegliati. I bambini di età superiore agli 8 anni, le persone con ridotte capacità fisiche, sensoriali o mentali e le persone che non abbiano esperienza o conoscenza dell'apparecchio potranno utilizzarlo solo sotto sorveglianza, o quando siano state istruite sull'utilizzo sicuro dell'apparecchio e siano consapevoli dei rischi del suo utilizzo. Vietare ai bambini di giocare con l'apparecchio. I bambini non devono eseguire operazioni di pulizia e manutenzione dell'apparecchio senza la sorveglianza di un adulto.

**⚠** **AVVERTENZA:** L'apparecchio e i suoi componenti accessibili possono diventare molto caldi durante l'uso. Fare attenzione a non toccare le

resistenze. Tenere lontani i bambini di età inferiore agli 8 anni, a meno che non siano costantemente sorvegliati.

**⚠** Non lasciare mai l'apparecchio incustodito durante l'essiccazione degli alimenti.

**⚠** Non avvicinare all'apparecchio stoffe o altri materiali infiammabili fino a che tutti i componenti non si siano completamente raffreddati, per evitare il rischio di incendi. Sorvegliare continuamente la cottura degli alimenti ricchi di grasso o olio o le cotture con aggiunta di alcolici, perché queste preparazioni comportano un rischio di incendio. Usare guanti da forno per estrarre tegami e accessori. Alla fine della cottura, aprire lo sportello con cautela, lasciando defluire gradualmente l'aria o il vapore prima di accedere al vano del forno per evitare possibili rischi di ustioni. Non ostruire le aperture di sfiato dell'aria calda sul lato anteriore dell'apparecchio: potrebbe crearsi un rischio di incendio.

**⚠** Fare attenzione quando l'apparecchio è in posizione aperta, per evitare di urtare la porta.

## **USO CONSENTITO**

**⚠** **ATTENZIONE:** l'apparecchio non è destinato ad essere messo in funzione mediante un dispositivo di commutazione esterno, ad esempio un temporizzatore, o attraverso

un sistema di comando a distanza separato.

⚠ L'apparecchio è destinato all'uso domestico e ad applicazioni analoghe, quali: aree di cucina per il personale di negozi, uffici e altri contesti lavorativi; agriturismi; camere di hotel, motel, bed & breakfast e altri ambienti residenziali.

⚠ Non sono consentiti altri usi (ad es., il riscaldamento di ambienti).

⚠ Questo apparecchio non è destinato ad applicazioni professionali. Non utilizzare l'apparecchio all'aperto.

⚠ Non conservare sostanze esplosive oppure infiammabili (ad es. taniche di benzina o bombolette spray) all'interno o in prossimità dell'apparecchio, per evitare il pericolo di incendi.

### **INSTALLAZIONE**

⚠ Per evitare il rischio di lesioni personali, l'apparecchio deve essere movimentato e installato da due o più persone. Per le operazioni di disimballaggio e installazione utilizzare i guanti protettivi per non procurarsi tagli.

⚠ L'installazione, comprendente anche eventuali raccordi per l'alimentazione idrica e i collegamenti elettrici, e gli interventi di riparazione devono essere eseguiti da personale qualificato. Non riparare o sostituire qualsiasi parte dell'apparecchio se non espressamente richiesto nel manuale d'uso. Tenere i bambini a distanza dal luogo dell'installazione. Dopo aver disimballato

l'apparecchio, assicurarsi che non sia stato danneggiato durante il trasporto. In caso di problemi, contattare il rivenditore o il Servizio Assistenza Tecnica. A installazione completata, conservare il materiale di imballaggio (parti in plastica, polistirolo, ecc.) fuori della portata dei bambini per evitare potenziali rischi di soffocamento. Prima di procedere all'installazione, scollegare l'apparecchio dalla rete elettrica per non correre il rischio di scosse elettriche. Per evitare il rischio di incendio o di folgorazione, durante l'installazione assicurarsi che l'apparecchio non danneggi il cavo di alimentazione. Attivare l'apparecchio solo dopo avere completato la procedura di installazione.

⚠ Eseguire tutte le operazioni di taglio del mobile prima di inserire il forno, avendo cura di rimuovere trucioli o residui di segatura.

Non rimuovere l'apparecchio dalla base di polistirolo fino al momento dell'installazione.

⚠ Dopo l'installazione, la parte inferiore dell'apparecchio non deve più essere accessibile.

⚠ Non installare l'apparecchio dietro un pannello decorativo, per evitare possibili rischi di incendio.

### **AVVERTENZE ELETTRICHE**

⚠ La targhetta matricola si trova sul bordo frontale dell'apparecchio (visibile con il cassetto riscaldante aperto).

**⚠** Deve essere possibile scollegare l'apparecchio dalla rete elettrica disinserendo la spina, se questa è accessibile, o tramite un interruttore multipolare installato a monte della presa nel rispetto dei regolamenti elettrici vigenti; inoltre, l'apparecchio deve essere messo a terra in conformità alle norme di sicurezza elettrica nazionali.

**⚠** Non utilizzare cavi di prolunga, prese multiple o adattatori. Una volta terminata l'installazione, i componenti elettrici non devono più essere accessibili. Non utilizzare l'apparecchio quando si è bagnati oppure a piedi nudi. Non accendere l'apparecchio se il cavo di alimentazione o la spina sono danneggiati, se si osservano anomalie di funzionamento o se l'apparecchio è caduto o è stato danneggiato.

**⚠** Se il cavo di alimentazione è danneggiato, deve essere sostituito con uno dello stesso tipo dal produttore, da un centro di assistenza autorizzato o da un tecnico qualificato per evitare situazioni di pericolo o rischi di scosse elettriche.

**⚠** Per la sostituzione del cavo di alimentazione, contattare un centro di assistenza autorizzato.

### **PULIZIA E MANUTENZIONE**


**⚠ AVVERTENZA:** Per evitare rischi di folgorazione, prima di qualsiasi intervento di manutenzione accertarsi che l'apparecchio sia spento e scollegato dall'alimentazione elettrica; non

usare in nessun caso pulitrici a getto di vapore.

**⚠** Non utilizzare detergenti abrasivi o raschietti metallici per pulire la porta del forno in vetro, in quanto potrebbero graffiare la superficie e causarne la frantumazione.


**⚠** Per evitare il rischio di ustioni, attendere che l'apparecchio si sia raffreddato prima di eseguire qualsiasi operazione di pulizia o manutenzione.

### **SMALTIMENTO DEL MATERIALE DI IMBALLAGGIO**

Il materiale di imballaggio è riciclabile al 100% ed è contrassegnato dal simbolo . Le varie parti dell'imballaggio devono pertanto essere smaltite responsabilmente e in stretta osservanza delle norme stabilite dalle autorità locali.

### **SMALTIMENTO DEGLI ELETTRODOMESTICI**

Questo prodotto è stato fabbricato con materiale riciclabile o riutilizzabile. Smaltire il prodotto rispettando le normative locali in materia. Per ulteriori informazioni sul trattamento, il recupero e il riciclaggio degli elettrodomestici, contattare l'ufficio locale competente, il servizio di raccolta dei rifiuti domestici o il negozio presso il quale il prodotto è stato acquistato. Questo apparecchio è contrassegnato in conformità alla Direttiva Europea 2012/19/UE, Rifiuti di Apparecchiature Elettriche ed Elettroniche (RAEE). Assicurandosi che questo prodotto sia smaltito in modo corretto, l'utente contribuisce a prevenire le conseguenze negative per l'ambiente e la salute.

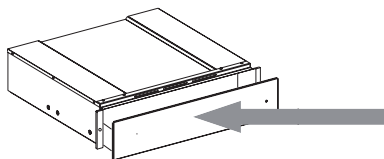
Il simbolo  sul prodotto o sulla documentazione di accompagnamento indica che questo apparecchio non deve essere smaltito come rifiuto domestico, bensì conferito presso un centro di raccolta preposto al ritiro delle apparecchiature elettriche ed elettroniche.

# PRIMA DI USARE IL CASSETTO RISCALDANTE

**Per aprire e chiudere il cassetto, premere la parte centrale del pannello come indicato nella figura.**

Al primo utilizzo, pulire l'apparecchio come segue:

- pulire la superficie con un panno umido e asciugare.
  - Preriscaldare il cassetto vuoto per almeno due ore: ruotare la manopola della temperatura al valore massimo per eliminare i residui di grasso, olio o resine di fabbricazione, che potrebbero creare odori sgradevoli durante il riscaldamento delle stoviglie. Arieggiare il locale.
  - Al termine di queste operazioni, l'apparecchio è pronto per il primo utilizzo.
- Prima dell'utilizzo, rimuovere:
    - adesivi situati sulla parte anteriore e sulla porta del cassetto riscaldante, ad eccezione della targhetta matricola;
    - tenere i bambini lontani dal prodotto e dal materiale di imballaggio quando non siano adeguatamente sorvegliati;
    - eventuali etichette adesive dagli accessori.



## INSTALLAZIONE

### Istruzioni di sicurezza per il montaggio del cassetto riscaldante

**IMPORTANTE: Il cassetto deve essere fissato subito al mobile, seguendo le istruzioni riportate di seguito. L'apparecchio non può essere installato se il cassetto non è stato fissato al mobile.**

#### Fissare il cassetto come mostrato nella figura.

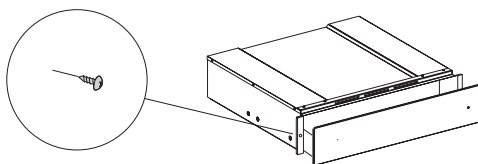
Prima di collegare elettricamente l'apparecchio, verificare che i dati della targhetta matricola corrispondano a quelli della rete elettrica; in caso contrario, l'apparecchio potrebbe danneggiarsi.

Dopo il montaggio dell'apparecchio, verificare che la connessione alla rete elettrica sia facilmente accessibile.

Il cassetto riscaldante può essere montato esclusivamente in combinazione con altri apparecchi aventi un peso massimo di 60 Kg e provvisti di adeguata ventilazione di raffreddamento.

Per installare l'apparecchio da combinare al cassetto riscaldante, seguire le istruzioni del relativo manuale d'uso e installazione.

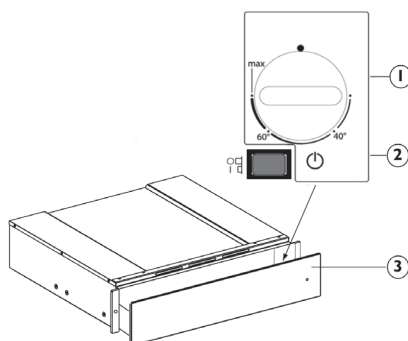
**Importante:** sul cassetto riscaldante è possibile installare una macchina da caffè o un forno a microonde combinato della stessa marca che abbiano le dimensioni indicate alla pagina seguente. Per l'installazione, seguire attentamente le istruzioni contenute nei manuali forniti con la macchina da caffè o il forno a microonde combinato.



# COME USARE IL PRODOTTO

## DESCRIZIONE DEL PANNELLO COMANDI

1. Manopola temperatura
2. Interruttore luminoso ON-OFF
3. Indicatore ON-OFF



## CASSETTO RISCALDANTE

Gli elementi di comando sono la manopola della temperatura e l'interruttore luminoso ON-OFF. Con l'interruttore premuto (posizione 1) il cassetto è acceso, mentre con l'interruttore rilasciato (posizione 0) il cassetto è spento.

Questi elementi sono visibili solo quando il cassetto è aperto.

Quando invece il cassetto è chiuso, una spia di controllo situata sul frontale dell'apparecchio consente di controllare se il cassetto è acceso.

## FUNZIONAMENTO

- Disporre le stoviglie nel cassetto
- Impostare una temperatura
- Accendere l'apparecchio: l'interruttore si illumina
- Chiudere il cassetto, facendolo scorrere delicatamente sulle guide
- Spegnere l'apparecchio prima di estrarre le stoviglie riscaldate.

# SELEZIONE DELLA TEMPERATURA

La manopola di controllo della temperatura permette regolazioni fino a circa 75°C (max). Ruotare la manopola in senso orario per aumentare la temperatura fino a fine corsa (valore massimo), e in senso antiorario per diminuirla.

Non forzare la manopola oltre il punto di fine corsa, perché così facendo si potrebbe danneggiare il termostato.

Regolazione temperatura	Istruzioni per l'uso	
40°C	tazze, bicchieri	Le tazze e i bicchieri riscaldati a questa temperatura rendono più lento il raffreddamento delle bevande che vi vengano versate. Usare guanti protettivi per estrarre i recipienti dal cassetto.
60°C	piatti	I piatti riscaldati a questa temperatura rendono più lento il raffreddamento degli alimenti serviti. Usare guanti protettivi per estrarre i recipienti dal cassetto.
MAX ca. 75°C	stoviglie	Il termostato è impostato alla temperatura massima. Usare guanti protettivi per estrarre i recipienti dal cassetto.

## TEMPI DI RISCALDAMENTO

Il tempo richiesto per riscaldare piatti, bicchieri, ecc. dipende da vari fattori:

- Materiale e spessore delle stoviglie
- Carico
- Disposizione del carico
- Impostazione della temperatura

Per questa ragione, non è possibile fornire indicazioni assolute.

Si consiglia di definire le impostazioni ottimali per le proprie esigenze in base alle esperienze pratiche

## CAPACITÀ DI CARICO

La capacità di carico dipende dall'altezza dell'apparecchio e dalle dimensioni delle stoviglie. Ricordare che il cassetto ha una portata massima di 25 kg.

# PULIZIA E MANUTENZIONE

**Assicurarsi che l'apparecchio si sia raffreddato prima di eseguire ogni operazione.**

**Non utilizzare apparecchi di pulizia a vapore.**

**L'apparecchio deve essere disconnesso dalla rete elettrica prima di effettuare operazioni di manutenzione.**

**Utilizzare guanti protettivi.**

**Non usare pagliette metalliche, panni abrasivi e detergenti abrasivi o corrosivi che possano danneggiare le superfici.**

Per i cassetti con trattamento iXelium, procedere come segue:

- Usare un panno morbido (preferibilmente in microfibra) imbevuto con acqua o un comune detergente per vetri.
- Si sconsiglia l'utilizzo di panni carta, i quali potrebbero lasciare residui di carta ed aloni sulla superficie.
- non utilizzare prodotti abrasivi o corrosivi, prodotti a base di cloro o pagliette.
- Non usare apparecchi di pulizia a vapore.
- Non lasciare sulla superficie sostanze acide o alcaline come aceto, senape, sale, zucchero o succo di limone.

Per le superfici di vetro, procedere come segue:

- Utilizzare acqua tiepida e un detergente neutro, quindi asciugare con un panno morbido.
- Non lasciare sulla superficie sostanze acide o alcaline come aceto, senape, sale, zucchero o succo di limone.

## **Base del cassetto in vetro temperato**

È consigliabile pulire il fondo del cassetto dopo ogni utilizzo, avendo l'accortezza di lasciarlo raffreddare. In questo modo lo sporco non si accumula e la pulizia risulta più facile.

- Usare un panno pulito, un panno carta e detersivo per stoviglie, oppure un prodotto specifico per la pulizia del vetro temperato.
- Non usare prodotti abrasivi, candeggina, spray per pulizia del forno o pagliette metalliche.

# GUIDA ALLA RICERCA GUASTI

**Se le stoviglie non sono sufficientemente calde, controllare che:**

- l'apparecchio sia acceso
- sia stata impostata la temperatura giusta
- le aperture di ventilazione non siano coperte da piatti o fondine di grandi dimensioni
- le stoviglie siano state riscaldate per un tempo sufficiente
- l'interruttore non sia spento.

Il tempo di riscaldamento dipende da una serie di fattori, tra cui:

- il materiale e lo spessore delle stoviglie, il carico e la sua disposizione, l'impostazione della temperatura.
- il tempo ottimale per il riscaldamento delle stoviglie può variare, perciò si consiglia di effettuare alcune prove per regolarlo secondo le proprie esigenze.



# SERVIZIO ASSISTENZA

## **Prima di rivolgersi al Servizio Assistenza Tecnica:**

1. Verificare che non sia possibile risolvere da soli il problema con l'aiuto della "Guida ricerca guasti".
2. Spegnerne e riaccendere l'apparecchio per assicurarsi che il problema sia stato eliminato.

## **Per i seguenti problemi, rivolgersi a un tecnico qualificato oppure al Servizio Assistenza Tecnica:**

### **Se le stoviglie non si riscaldano:**

- è possibile che il cavo di alimentazione sia scollegato o danneggiato.

### **Se le stoviglie diventano troppo calde:**

- il regolatore della temperatura potrebbe essere guasto o difettoso.

## **L'interruttore di accensione/spegnimento non si attiva quando si accende l'apparecchio:**

- la spia di controllo dell'interruttore potrebbe essere guasta o difettosa.

## **Se dopo i suddetti controlli il problema persiste, contattare il Servizio Assistenza più vicino.**

Prepararsi a fornire:

- una breve descrizione del guasto;
- il tipo e il modello esatti del cassetto riscaldante;
- il numero di assistenza (è il numero che si trova dopo la parola Service sulla targhetta matricola), posto sul bordo esterno destro della guida del cassetto. Il numero Assistenza è anche riportato sul libretto di garanzia;
- il proprio indirizzo completo;
- il proprio numero di telefono.

**SERVICE** 00 0000 00000



Qualora si renda necessaria una riparazione, rivolgersi ad un Centro di Assistenza Tecnica autorizzato (a garanzia dell'utilizzo di pezzi di ricambio originali e di una corretta riparazione). La mancata osservanza di queste istruzioni può compromettere la sicurezza e la qualità del prodotto.

# INSTRUCCIONES DE USO

	<b>Página</b>
<b>INSTRUCCIONES DE SEGURIDAD</b>	<b>51</b>
<b>ANTES DE UTILIZAR EL CAJÓN CALENTADOR</b>	<b>54</b>
<b>INSTALACIÓN</b>	<b>54</b>
<b>CÓMO USAR EL PRODUCTO</b>	<b>55</b>
<b>DESCRIPCIÓN DEL PANEL DE CONTROL</b>	<b>55</b>
<b>CAJÓN CALENTADOR</b>	<b>55</b>
<b>EN FUNCIONAMIENTO</b>	<b>55</b>
<b>SELECCIÓN DE LA TEMPERATURA</b>	<b>56</b>
<b>TIEMPOS DE CALENTAMIENTO</b>	<b>56</b>
<b>CAPACIDAD DE CARGA</b>	<b>56</b>
<b>LIMPIEZA Y MANTENIMIENTO</b>	<b>57</b>
<b>GUÍA PARA LA SOLUCIÓN DE PROBLEMAS</b>	<b>57</b>
<b>SERVICIO POSTVENTA</b>	<b>58</b>

# INSTRUCCIONES DE SEGURIDAD

# ES IMPORTANTE QUE LEA Y SIGA LAS SIGUIENTES RECOMENDACIONES

Antes de usar el aparato, lea atentamente estas instrucciones de seguridad. Téngalas a mano para consultarlas más adelante.

Tanto estas instrucciones como el aparato contienen importantes advertencias de seguridad, que deben respetarse en todo momento. El fabricante declina cualquier responsabilidad derivada del incumplimiento de estas instrucciones de seguridad, del uso indebido del aparato o del ajuste incorrecto de los mandos.

**⚠** Los niños muy pequeños (0-3 años) deben mantenerse alejados del aparato. Los niños pequeños (3-8 años) deben mantenerse alejados del aparato, a menos que estén bajo vigilancia constante. Tanto los niños a partir de 8 años como las personas cuyas capacidades físicas, sensoriales o mentales estén disminuidas o que carezcan de la experiencia y conocimientos necesarios pueden utilizar este aparato si reciben la supervisión o las instrucciones necesarias para utilizarlo de forma segura y comprenden los riesgos a los que se exponen. Los niños no deberán jugar con el aparato. Los niños no deben encargarse de la limpieza y el mantenimiento, a menos que estén supervisados.

**⚠ ATENCIÓN:** El aparato y las partes accesibles se calientan durante el uso. Es necesario prestar atención para no tocar las resistencias. Mantenga alejados a los niños menores 8 años salvo que sean supervisados continuamente.

**⚠** No deje el aparato desatendido durante el secado de alimentos.

**⚠** Mantenga los paños y otros materiales inflamables alejados del aparato hasta que todos los componentes se hayan enfriado por completo; hay riesgo de incendio. Preste atención al horno siempre que cocine alimentos ricos en grasa, aceite o cuando añada alcohol, hay riesgo de incendio. Utilice guantes adecuados para sacar las bandejas y los accesorios. Cuando termine la cocción, abra la puerta con cuidado, permitiendo que el aire o vapor calientes salgan gradualmente antes de acceder a la cavidad; hay riesgo de quemarse. No obstruya las salidas de ventilación de la parte delantera del aparato, hay riesgo de incendio.

**⚠** Tenga cuidado de no chocar con la puerta del aparato cuando esté abierta.

## **USO PERMITIDO**

**⚠ PRECAUCIÓN:** El aparato no está destinado a ponerse en funcionamiento por medio de

un dispositivo de encendido externo, como un temporizador, o de un sistema de control remoto independiente.

⚠ Este aparato está destinado a un uso en ambientes domésticos o en ambientes similares como: áreas de cocina en oficinas, tiendas y otros entornos laborales; granjas; por los clientes de hoteles, moteles y otros entornos residenciales.

⚠ No se admite ningún otro uso (p. ej., calentar habitaciones).

⚠ Este aparato no es para uso profesional. No utilice este aparato al aire libre.

⚠ No guarde sustancias explosivas ni inflamables (como frascos de aerosoles o gasolina) dentro o cerca del aparato, ya que existe riesgo de incendio.

## **INSTALACIÓN**

⚠ La manipulación e instalación del aparato la deben realizar dos o más personas; hay riesgo de lesionarse. Utilice guantes de protección para el desembalaje y la instalación, ya que hay riesgo de cortes.

⚠ Asegúrese de que la instalación, incluido el suministro de agua (si lo hay) y las conexiones eléctricas y las reparaciones sean efectuadas por un técnico cualificado. No realice reparaciones ni sustituciones de partes del aparato no indicadas específicamente en el manual del usuario. Mantenga a los niños alejados del lugar de instalación. Tras desembalar el aparato, compruebe que no se ha dañado durante

el transporte. Si observa algún problema, póngase en contacto con el distribuidor o el Servicio Postventa más cercano. Una vez instalado el aparato, mantenga los restos de embalaje (plásticos, piezas de poliestireno extruido, etc.) fuera del alcance de los niños, ya que hay riesgo de asfixia. El aparato debe estar desenchufado de la corriente antes de empezar la instalación, ya que hay riesgo de descarga eléctrica. Cuando realice la instalación, asegúrese de que el aparato no dañe el cable de alimentación, ya que hay riesgo de incendio o de descarga eléctrica. No active el aparato hasta haberlo instalado por completo.

⚠ Realice todas las tareas de corte del armario antes de instalar el aparato en el alojamiento y retire por completo todas las virutas de madera y el serrín.

No quite el aparato de la base de poliestireno hasta el momento de la instalación.

⚠ Después de la instalación, la base del aparato no debe ser accesible, ya que podría quemarse.

⚠ No instale el aparato tras una puerta decorativa; hay riesgo de incendio.

## **ADVERTENCIAS SOBRE ELECTRICIDAD**

⚠ La placa de datos se encuentra en el borde frontal del aparato (visible con la puerta del cajón calentador abierta).

⚠ Debe ser posible desconectar el aparato de la alimentación eléctrica desenchufándolo si el enchufe es accesible o mediante un interruptor omnipolar instalado antes del enchufe, de conformidad con las normativas de cableado y el aparato debe conectarse a una toma de tierra de acuerdo con las normativas de seguridad vigentes en materia de electricidad.

⚠ No utilice alargadores, regletas ni adaptadores. Una vez terminada la instalación, los componentes eléctricos no deberán quedar accesibles para el usuario. No use el aparato si está mojado o va descalzo. No use este aparato si tiene un cable o un enchufe de red dañado, si no funciona bien, o si se ha dañado o se ha caído.

⚠ Si el cable de alimentación está dañado, el fabricante, su agente de servicio técnico o una persona igualmente cualificada deberán sustituirlo para evitar peligros, ya que hay riesgo de descarga eléctrica.

⚠ Póngase en contacto con un Centro de Asistencia Técnica autorizado en caso de que necesite sustituir un cable de alimentación.


### **LIMPIEZA Y MANTENIMIENTO**

⚠ **ATENCIÓN:** Asegúrese de que el aparato esté apagado y desconectado del suministro eléctrico antes de realizar cualquier operación de mantenimiento; no utilice aparatos de limpieza con vapor, hay riesgo de descarga eléctrica.

⚠ No utilice limpiadores abrasivos ni raspadores metálicos con bordes afilados para limpiar el cristal de la puerta ya que podrían arañar la superficie, lo que puede provocar que el cristal se rompa.


⚠ Antes de realizar operaciones de limpieza o mantenimiento, asegúrese de que se ha enfriado el aparato. - Podría quemarse.

### **ELIMINACIÓN DEL MATERIAL DE EMBALAJE**

El material de embalaje es 100% reciclable y está marcado con el símbolo de reciclaje . Por lo tanto, deberá desechar las diferentes piezas del embalaje de forma responsable, respetando siempre las normas locales sobre eliminación de residuos.

### **ELIMINACIÓN DE LOS ELECTRODOMÉSTICOS**

Este aparato ha sido fabricado con material reciclable o reutilizable. Debe desecharse de acuerdo con la normativa local al respecto. Para obtener información más detallada sobre el tratamiento, recuperación y reciclaje de electrodomésticos, póngase en contacto con las autoridades locales, con el servicio de recogida de residuos domésticos, o con la tienda en la que adquirió el aparato. Este aparato lleva la marca CE de conformidad con la Directiva Europea 2012/19/UE sobre residuos de aparatos eléctricos y electrónicos (RAEE). La correcta eliminación de este producto evita consecuencias negativas para el medio ambiente y la salud.

El símbolo  que se incluye en el aparato o en la documentación que lo acompaña indica que no puede tratarse como un residuo doméstico, sino que debe entregarse en un punto de recogida adecuado para el reciclado de aparatos eléctricos y electrónicos.

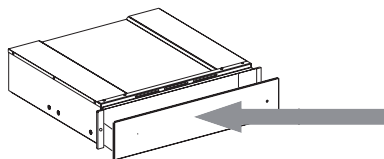


# ANTES DE UTILIZAR EL CAJÓN CALENTADOR

**Para abrir y cerrar el cajón, empuje en medio del panel, tal y como se indica en la imagen.**

Cuando use el aparato por primera vez, límpielo tal y como se indica a continuación:

- Limpie la superficie con un trapo húmedo y séquela.
  - Precaliente el cajón vacío durante al menos dos horas: gire el selector de temperatura hasta la posición máxima para eliminar cualquier residuo de grasa, aceite o resinas de fabricación que puedan causar olores desagradables al calentar los platos. Ventile la habitación.
  - Una vez realizadas estas operaciones, podrá usar el aparato por primera vez.
- 
- Antes de utilizarlo, quite:
    - Las pegatinas colocadas en la parte delantera y la puerta del cajón calentador, salvo la placa de características;
    - Mantenga a los niños alejados del producto y los materiales de embalaje para evitar toda interacción con ellos, si no los supervisa adecuadamente;
    - Cualquier pegatina de los accesorios, si hay.



## INSTALACIÓN

### Instrucciones de seguridad para colocar el cajón calentador

**IMPORTANTE:** El cajón deberá ser colocado inmediatamente en el armario, siguiendo las instrucciones indicadas a continuación. El aparato acoplado no podrá ser instalado antes de colocar el cajón en el armario.

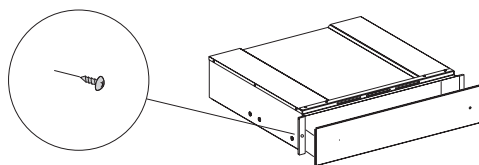
**Coloque el cajón tal y como se muestra en la imagen.**

Antes de conectar el aparato a la red eléctrica, asegúrese de que los datos de la placa de características coinciden con el suministro eléctrico de la red. De lo contrario, podría estropear el aparato.

Asegúrese de que la conexión a la red quede fácilmente accesible una vez colocado el aparato. El cajón calentador sólo podrá colocarse combinado con otros aparatos si el peso máximo es de 60 kg y disponen de una ventilación adecuada.

Para colocar otro aparato combinado con el calentador de platos, siga las instrucciones del manual de instalación correspondiente.

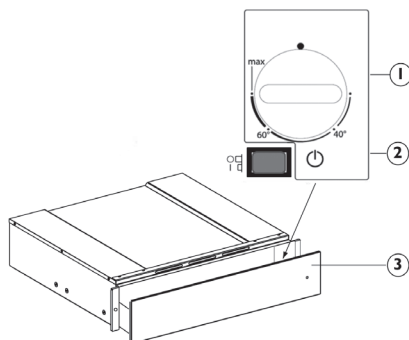
**Importante:** Se puede colocar encima del cajón calentador una cafetera o un horno microondas combi de la misma marca, respetando las medidas indicadas en la siguiente página. Para instalarlo, siga atentamente las instrucciones de los manuales suministrados con la cafetera y el microondas combi.



# CÓMO USAR EL PRODUCTO

## DESCRIPCIÓN DEL PANEL DE CONTROL

1. Selector de temperatura
2. Conmutador luminoso de Encendido-Apagado
3. Indicador de Encendido-Apagado



## CAJÓN CALENTADOR

Los elementos de control son el selector de temperatura y el conmutador luminoso de Encendido-Apagado.

Con el interruptor pulsado (posición 1), el cajón está encendido. Con el interruptor sin pulsar (posición 0), el cajón está apagado.

Estos elementos sólo están visibles cuando se abre el cajón.

Con el cajón cerrado, una luz de control ubicada en la parte delantera del aparato indica si el cajón está encendido.

## EN FUNCIONAMIENTO

- Coloque los platos en el cajón
- Configure una temperatura
- Encienda el aparato; el interruptor se ilumina
- Cierre el cajón, guiándolo con cuidado
- Apague el aparato antes de sacar los platos calientes.

# SELECCIÓN DE LA TEMPERATURA

El selector de temperatura permite realizar ajustes de hasta unos 75°C (máx). Gire el selector de la temperatura en el sentido horario hasta el tope que indica el máximo, y luego gírelo en el sentido opuesto.

No lo fuerce más allá del tope o estropeará el termostato.

Ajuste de la temperatura	Instrucciones de uso	
40 °C	tazas, vasos	Las tazas y vasos calentados a esta temperatura ayudan a retrasar el enfriamiento de las bebidas que sirva después. Utilice los guantes para retirar los recipientes del cajón.
60 °C	platos	Los platos calentados a esta temperatura ayudan a retrasar el enfriamiento de los alimentos que sirva después. Utilice los guantes para retirar los recipientes del cajón.
MÁX unos 75°C	vajilla	El termostato se configura a la máxima temperatura. Utilice los guantes para retirar los recipientes del cajón.

## TIEMPOS DE CALENTAMIENTO

El tiempo necesario para calentar platos, vasos, etc. depende de varios factores:

- Material y espesor de la vajilla
- Carga
- Disposición de la carga
- Ajuste de temperatura

Por lo tanto, no se pueden dar indicaciones exactas.

Es aconsejable establecer la configuración óptima, según la experiencia de cada uno

## CAPACIDAD DE CARGA

La capacidad de carga depende de la altura del aparato y el tamaño de los platos.

Recuerde que el cajón admite un peso máximo de 25 kg.



# LIMPIEZA Y MANTENIMIENTO

**Asegúrese de que el aparato se haya enfriado antes de llevar a cabo las tareas de mantenimiento o limpieza.**

**No utilice aparatos de limpieza con vapor. El aparato debe desconectarse de la red eléctrica antes de llevar a cabo cualquier trabajo de mantenimiento.**

**Utilice guantes de protección.**

**No utilice estropajos de acero, estropajos abrasivos ni productos de limpieza abrasivos/corrosivos, ya que podrían dañar las superficies del aparato.**

Para los cajones con tratamiento iXelium, proceda de la siguiente manera:

- Use un trapo suave (mejor microfibra) con agua o un detergente limpiacristales normal.
- No utilice papel de cocina, que pueden dejar restos de papel y vetas en la superficie.
- No utilice estropajos de acero ni productos abrasivos, corrosivos o con lejía.
- No utilice aparatos de limpieza a vapor inflamables.
- No deje en la superficie sustancias ácidas o alcalinas, como vinagre, mostaza, sal, azúcar o zumo de limón.

En las superficies de vidrio proceda de la siguiente manera:

- Use un detergente neutro y agua templada. Luego, seque con un trapo suave.
- No deje en la superficie sustancias ácidas o alcalinas, como vinagre, mostaza, sal, azúcar o zumo de limón.

## **Base del cajón de cristal templado**

Es aconsejable limpiar la base del cajón después de cada uso, asegurándose de dejar que se enfríe. De este modo evitará la acumulación de suciedad y facilitará la limpieza.

- Use un trapo limpio, papel de cocina y jabón líquido, o productos específicos para limpiar el cristal templado.
- No utilice productos abrasivos, lejía, spray limpiador de hornos ni estropajos metálicos.

# GUÍA PARA LA SOLUCIÓN DE PROBLEMAS

**Si los platos no están lo suficientemente calientes, compruebe que:**

- el aparato esté encendido
- esté programada la temperatura adecuada
- las ventilaciones no queden tapadas por platos o ensaladeras grandes
- los platos no se calentaron lo suficiente.
- no se haya desconectado el interruptor principal.

Diferentes factores afectan al tiempo de calentamiento, por ejemplo:

- material y grosor de los platos, la carga y su disposición, la temperatura configurada.
- Los tiempos óptimos para calentar los platos varían. Por lo tanto, es aconsejable realizar pruebas para distribuirlos según sus necesidades.

# SERVICIO POSTVENTA

## Antes de ponerse en contacto con el

### Servicio Postventa:

1. Intente resolver el problema consultando la «Guía para la solución de problemas».
2. Apague el aparato y vuelva a encenderlo para ver si el problema se ha solucionado.

### Para los siguientes problemas, póngase en contacto con un técnico cualificado o con el Servicio Postventa:

#### Si los platos no se calientan:

- el cable de alimentación podría estar desconectado o dañado.

#### Si los platos se calientan demasiado:

- el controlador de la temperatura podría estar estropeado.

#### El conmutador de encendido/apagado no se activa cuando se enciende el aparato:

- El indicador de control del conmutador está defectuoso.

#### Si el problema persiste después de estas comprobaciones, póngase en contacto con el Servicio Postventa más cercano.

Indique lo siguiente:

- una breve descripción del problema;
- el tipo de cajón calentador y el modelo exacto;
- El número de Servicio (el número tras la palabra Service en la placa de características), ubicado en el extremo exterior derecho de la guía del cajón. Este número también aparece en el folleto de la garantía;
- su dirección completa;
- su número de teléfono.

**SERVICE** 00 0000 00000



Si hay que hacer alguna reparación, póngase en contacto con un Servicio Postventa autorizado (para asegurarse de que usen piezas originales y lo reparen correctamente). Si no cumple estas instrucciones puede poner en peligro la seguridad y la calidad del producto.

# **INSTRUÇÕES DE UTILIZAÇÃO**

	<b>Página</b>
<b>INSTRUÇÕES DE SEGURANÇA</b>	<b>60</b>
<b>ANTES DE UTILIZAR A GAVETA DE AQUECIMENTO</b>	<b>63</b>
<b>INSTALAÇÃO</b>	<b>63</b>
<b>COMO UTILIZAR O PRODUTO</b>	<b>64</b>
<b>DESCRIÇÃO DO PAINEL DE CONTROLO</b>	<b>64</b>
<b>GAVETA DE AQUECIMENTO</b>	<b>64</b>
<b>FUNCIONAMENTO</b>	<b>64</b>
<b>SELEÇÃO DA TEMPERATURA</b>	<b>65</b>
<b>TEMPOS DE AQUECIMENTO</b>	<b>65</b>
<b>CAPACIDADE DE CARGA</b>	<b>65</b>
<b>LIMPEZA E MANUTENÇÃO</b>	<b>66</b>
<b>GUIA DE RESOLUÇÃO DE PROBLEMAS</b>	<b>66</b>
<b>SERVIÇO PÓS-VENDA</b>	<b>67</b>

# INSTRUÇÕES DE SEGURANÇA

## É IMPORTANTE QUE LEIA E RESPEITE ESTAS INSTRUÇÕES

Antes de utilizar o aparelho, leia estas instruções de segurança com atenção. Guarde-as por perto para consulta futura.

As presentes instruções e o próprio aparelho possuem informações importantes relativas à segurança, as quais deverá ler e respeitar sempre. O fabricante não se responsabiliza por quaisquer acontecimentos decorrentes do incumprimento das presentes instruções de segurança, da utilização inadequada do aparelho ou da configuração incorreta dos respetivos controlos.

**⚠** As crianças até aos 3 anos devem ser mantidas afastadas do aparelho. As crianças entre os 3 e os 8 anos devem ser mantidas afastadas do aparelho, exceto se estiverem sob supervisão permanente. Este aparelho pode ser utilizado por crianças a partir dos 8 anos e por pessoas com capacidades físicas, sensoriais ou mentais reduzidas ou com falta de experiência e conhecimento, desde que estejam sob supervisão ou tenham recebido instruções quanto à utilização segura deste aparelho e se compreenderem os perigos envolvidos. As crianças não devem brincar com o aparelho. A limpeza e a manutenção a cargo do utilizador não devem ser realizadas por crianças sem supervisão.

**⚠** ADVERTÊNCIA: O aparelho e os seus componentes acessíveis ficam quentes durante o funcionamento. Deve ter-se cuidado para evitar tocar nos elementos quentes. Mantenha as crianças com idade inferior a 8 anos afastadas do aparelho a menos que estejam vigiadas em permanência.

**⚠** Nunca deixe o aparelho sem vigilância durante a secagem de alimentos.

**⚠** Mantenha quaisquer peças de vestuário ou outros materiais inflamáveis afastados do aparelho até que todos os componentes deste tenham arrefecido completamente, pois existe risco de incêndio. Preste sempre atenção quando cozinhar alimentos ricos em gorduras, óleos ou quando existe a adição de bebidas alcoólicas, pois existe risco de incêndio. Utilize apropriadas luvas para retirar recipientes do forno para retirar panelas e acessórios. No final da cozedura, abra a porta com cuidado, permitindo que o ar quente ou o vapor saia gradualmente antes de aceder à cavidade do forno, caso contrário, existe o risco de queimaduras.. Não obstrua a ventilação de ar quente existente na parte frontal do aparelho, pois existe risco de incêndio.

**⚠** Tenha cuidado quando a porta do aparelho estiver aberta, de forma a evitar bater na porta.

## UTILIZAÇÃO PERMITIDA

⚠️ CUIDADO: o aparelho não deve ser ligado a partir de um dispositivo de comutação externa, como, por exemplo, um temporizador, nem a partir de um sistema de controlo remoto em separado.

⚠️ Este aparelho destina-se a ser usado em ambiente doméstico e em aplicações semelhantes tais como: copas para utilização dos funcionários em lojas, escritórios e outros ambientes de trabalho; quintas de exploração agrícola; clientes em hotéis, motéis, *bed & breakfast* e outros tipos de ambientes residenciais.

⚠️ Estão proibidos outros tipos de utilização (por exemplo, aquecimento de divisões da casa).

⚠️ Este aparelho não está concebido para o uso profissional. Não utilize o aparelho no exterior.

⚠️ Não armazene substâncias explosivas ou inflamáveis (p.ex., gasolina ou latas de aerossol) no interior ou próximas do aparelho, pois existe o risco de incêndio.

## INSTALAÇÃO

⚠️ O aparelho deve ser transportado e instalado por duas ou mais pessoas, para evitar o risco de lesões. Use luvas de proteção para desembalar e instalar o aparelho - risco de cortes.

⚠️ A instalação, incluindo a alimentação de água (caso seja necessário) e as ligações elétricas, bem como quaisquer reparações devem ser realizadas por um técnico devidamente qualificado. Não repare nem substitua nenhuma

peça do aparelho a não ser que seja especificamente indicado no manual de utilização. Mantenha as crianças afastadas do local da instalação. Depois de desembalar o aparelho, certifique-se de que este não foi danificado durante o transporte. Em caso de problemas, contacte o revendedor ou o Serviço Pós-Venda mais próximo. Uma vez instalado o aparelho, os elementos da embalagem (plástico, peças de esferovite, etc.) devem ser armazenados longe do alcance das crianças - risco de asfixia. Deve desligar o aparelho da corrente elétrica antes de efetuar qualquer operação de instalação - risco de choques elétricos. Durante a instalação, certifique-se de que o aparelho não danifica o cabo de alimentação - risco de incêndio ou de choques elétricos. Ligue o aparelho apenas depois de concluída a instalação do mesmo.

⚠️ Execute todos os trabalhos de corte no móvel antes de instalar o aparelho e remova todas as lascas de madeira e a serradura.

⚠️ Não retire a base de espuma de poliestireno do aparelho até à altura da instalação.

⚠️ Após a instalação, a base do aparelho não deverá ficar acessível, pois existe o risco de queimaduras.

⚠️ Não instale o aparelho atrás de uma porta decorativa, para evitar o risco de incêndio.

## AVISOS SOBRE ELETRICIDADE

⚠️ A chapa de características encontra-se na extremidade frontal

do aparelho (visível com a gaveta de aquecimento aberta).

⚠ Deve ser possível desligar o aparelho da fonte de alimentação, desligando-o na ficha, caso esta esteja acessível, ou através de um interruptor multipolar instalado na tomada de acordo com a regulamentação aplicável a ligações elétricas; além disso, o aparelho deve dispor de ligação à terra, de acordo com as normas de segurança elétrica nacionais.

⚠ Não utilize extensões, tomadas múltiplas ou adaptadores. Após a instalação do aparelho, os componentes elétricos devem estar inacessíveis ao utilizador. Não utilize o aparelho com os pés descalços ou molhados. Não ligue este aparelho se o cabo ou a ficha elétrica apresentar danos, se não estiver a funcionar corretamente, se estiver danificado ou se tiver caído.

⚠ Se o cabo de alimentação estiver danificado deverá ser substituído por um idêntico do mesmo fabricante ou por um técnico de assistência ou pessoas similarmente qualificadas de modo a evitar a ocorrência de situações perigosas, pois existe o risco de choques elétricos.

⚠ Em caso de substituição de alimentação, contacte um Centro de Assistência autorizado.

### **LIMPEZA E MANUTENÇÃO**


⚠ **ADVERTÊNCIA:** Assegure-se de que o aparelho está desligado da fonte de alimentação antes de realizar quaisquer operações de manutenção;

nunca use uma máquina de limpeza a vapor para limpar o aparelho - risco de choques elétricos.

⚠ Não utilize produtos de limpeza abrasivos, nem raspadores metálicos afiados para limpar a porta de vidro do aparelho, pois estes podem riscar a sua superfície, o que pode fazer com que o vidro quebre.


⚠ Certifique-se de que o aparelho está frio antes de realizar qualquer operação de limpeza ou de manutenção. - risco de queimaduras.

### **ELIMINAÇÃO DA EMBALAGEM**

O material da embalagem é 100% reciclável, conforme indicado pelo símbolo de reciclagem . As várias partes da embalagem devem ser eliminadas de forma responsável e em total conformidade com as normas estabelecidas pelas autoridades locais.

### **ELIMINAÇÃO DE ELETRODOMÉSTICOS**

Este aparelho é fabricado com materiais recicláveis ou reutilizáveis. Elimine-o em conformidade com as normas de eliminação de resíduos locais. Para obter mais informações sobre o tratamento, recuperação e reciclagem de eletrodomésticos, contacte as autoridades locais, o serviço de recolha de resíduos domésticos ou a loja onde adquiriu o aparelho. Este aparelho está marcado em conformidade com a Diretiva Europeia 2012/19/EU relativa aos Resíduos de Equipamentos Elétricos e Eletrónicos (REEE). Ao assegurar a eliminação correta deste produto, estamos a proteger o ambiente e a saúde humana contra riscos negativos.

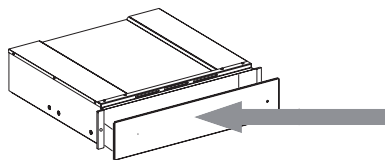
O símbolo  no produto, ou nos documentos que acompanham o produto, indica que este aparelho não deve ser tratado como resíduo doméstico e deve ser transportado para um centro de recolha adequado para proceder à reciclagem do equipamento elétrico e eletrónico.

# ANTES DE UTILIZAR A GAVETA DE AQUECIMENTO

**Para abrir e fechar a gaveta de aquecimento, empurre a parte central do painel como ilustrado na figura.**

Aquando da primeira utilização, limpar o aparelho como se segue:

- Limpe a superfície com um pano húmido e seque-a.
  - Preaqueça a gaveta vazia durante pelo menos duas horas: rode o botão de regulação da temperatura para o máximo, de forma a eliminar quaisquer resíduos de gordura, óleo ou resinas resultantes do fabrico que possam criar odores indesejados durante o aquecimento dos pratos. Areje o local.
  - Após concluir estas operações, o aparelho estará pronto a utilizar pela primeira vez.
- Antes de utilizar, retire:
    - Os autocolantes na parte frontal e na porta da gaveta de aquecimento, com exceção da chapa de características;
    - Mantenha as crianças afastadas do produto e do material de embalagem, para evitar interações, em caso de supervisão insuficiente;
    - Quaisquer etiquetas dos acessórios, se presentes.



## INSTALAÇÃO

### Instruções de segurança para a instalação da gaveta de aquecimento

**IMPORTANTE: A gaveta deverá ser imediatamente fixa ao armário, seguindo as instruções fornecidas abaixo. O aparelho acoplado não poderá ser instalado antes de fixar a gaveta ao armário.**

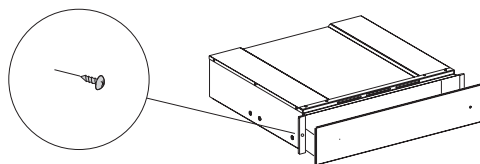
**Fixe a gaveta conforme ilustrado na figura.**

Antes de efetuar as ligações elétricas do aparelho, certifique-se de que os dados na chapa de características correspondem à tensão da rede elétrica doméstica, caso contrário, poderão ocorrer danos ao aparelho. Certifique-se de que a ligação à rede elétrica é facilmente acessível após o encaسته do aparelho.

A gaveta de aquecimento só pode ser instalada juntamente com outros aparelhos com um peso máximo de 60 kg e equipados com uma ventilação de arrefecimento adequada.

Para instalar o aparelho que poderá ser combinado com o aquecedor de pratos, siga as instruções fornecidas no manual de utilização e instalação relevante.

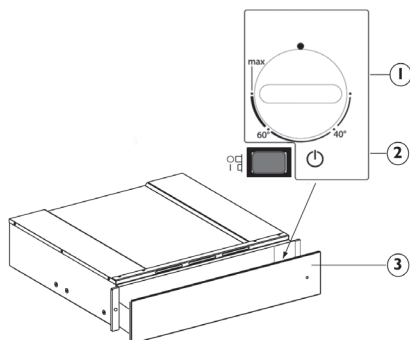
**Importante:** Poder-se-á instalar sobre a gaveta de aquecimento a máquina de café ou o forno micro-ondas combinado da mesma marca, com as dimensões indicadas na página seguinte. Para a instalação, siga atentamente as instruções presentes nos manuais fornecidos com a máquina de café e o forno micro-ondas combinado.



# COMO UTILIZAR O PRODUTO

## DESCRIÇÃO DO PAINEL DE CONTROLO

1. Botão da temperatura
2. Interruptor LIGADO-DESLIGADO luminoso
3. Indicador LIGADO-DESLIGADO



## GAVETA DE AQUECIMENTO

Os elementos de controlo são o botão da temperatura e o interruptor LIGADO-DESLIGADO luminoso.

Com o interruptor premido (posição 1), a gaveta está ativada; com o interruptor libertado (posição 0), a gaveta está desativada.

Estes elementos só são visíveis quando a gaveta estiver aberta.

Quando a gaveta estiver fechada, a luz de controlo localizada na parte frontal do aparelho indica se a gaveta está ativada.

## FUNCIONAMENTO

- Coloque a loiça na gaveta;
- Regule a temperatura;
- Ligue o aparelho; o botão acende-se
- Feche a gaveta com cuidado
- Desligue o aparelho antes de retirar a loiça aquecida.



# SELEÇÃO DA TEMPERATURA

O botão de controlo da temperatura permite ajustar até aproximadamente 75°C (máx.). Rode o botão da temperatura para a direita até ao batente (máximo) e, posteriormente, para a esquerda. Não force para além do batente, para não danificar o termóstato.

Regular a temperatura	Instruções de utilização	
40°C	chávenas, copos	Chávenas e copos aquecidos a esta temperatura permitem atrasar o tempo de arrefecimento da bebida posteriormente nestes colocada. Use luvas para remover os recipientes da gaveta.
60°C	pratos	Pratos aquecidos a esta temperatura permitem atrasar o tempo de arrefecimento dos alimentos posteriormente neles colocados. Use luvas para remover os recipientes da gaveta.
MÁX. aprox. 75°C	tachos	O termóstato está regulado para a temperatura máxima. Use luvas para remover os recipientes da gaveta.

## TEMPOS DE AQUECIMENTO

O tempo necessário para aquecer pratos, copos, etc., depende de vários fatores:

- Material e espessura da loiça
- Carga
- Disposição da carga
- Programação da temperatura

Por estes motivos, não é possível fornecer indicações precisas.

É aconselhável estabelecer as regulações ótimas necessárias com base na experiência prática

## CAPACIDADE DE CARGA

A capacidade de carga depende da altura do aparelho e tamanho da loiça.

A gaveta poderá suportar um peso máximo de 25 kg.

# LIMPEZA E MANUTENÇÃO

**Assegure-se de que o aparelho arrefece antes de executar qualquer operação de manutenção ou limpeza.**

**Não utilize aparelhos de limpeza a vapor. O aparelho deve ser desligado da rede elétrica antes da realização de qualquer tipo de trabalho de manutenção.**

**Use luvas de proteção.**

**Não utilize um acessório de palha de aço, esfregões abrasivos ou produtos de limpeza abrasivos/corrosivos, pois estes podem danificar as superfícies do aparelho.**

Para gavetas com tratamento iXelium, atue como se segue:

- Use um pano macio (de preferência microfibras) com água ou detergente limpa-vidros comum.
- Não utilize papel de cozinha, que pode deixar vestígios de papel e manchas na superfície.
- Não utilize produtos que sejam abrasivos ou corrosivos, produtos à base de cloro ou escovas de aço.
- Não utilize aparelhos de limpeza a vapor inflamáveis.
- Não deixe substâncias ácidas ou alcalinas, tais como vinagre, mostarda, sal, açúcar ou sumo de limão sobre a superfície.

Para superfícies de vidro, atue como se segue:

- Utilize um detergente neutro e água morna, e seque com um pano macio.
- Não deixe substâncias ácidas ou alcalinas, tais como vinagre, mostarda, sal, açúcar ou sumo de limão sobre a superfície.

## **Base da gaveta em vitrocerâmica**

É aconselhável limpar o fundo da gaveta após cada utilização, deixando-a arrefecer previamente. Evita assim o acumular de sujidade tornando a limpeza mais fácil.

- Utilize um pano limpo, papel de cozinha e detergente para a loiça, ou produtos específicos para a limpeza da vitrocerâmica.
- Não utilize produtos abrasivos, lixívia, sprays de limpeza do forno nem esfregões metálicos/verdes.

# GUIA DE RESOLUÇÃO DE PROBLEMAS

**Caso a loiça não se encontre suficientemente quente, verifique se:**

- A energia está ligada
- Está programada a temperatura adequada
- Os orifícios de ventilação não estão cobertos por pratos ou taças de grandes dimensões
- Os pratos não foram aquecidos durante tempo suficiente.
- O cabo de alimentação foi desligado.

Diferentes fatores influenciam o tempo de aquecimento, por exemplo:

- O material e a espessura da loiça, a quantidade de carga, a disposição da carga, a programação da temperatura.
- Os tempos ótimos para aquecimento de loiça são variáveis, portanto, é aconselhável efetuar testes para determiná-los de acordo com as suas necessidades.

# SERVIÇO PÓS-VENDA

## **Antes de contactar o Serviço de Assistência Técnica:**

1. Tente solucionar o problema sozinho com a ajuda do "Guia para a resolução de problemas".
2. Desligue e volte a ligar o aparelho para verificar se o problema ficou resolvido.

## **Para os seguintes problemas, contacte um técnico qualificado ou o Serviço de Assistência Técnica:**

### **Se a loiça não aquecer:**

- O cabo de alimentação elétrica pode estar desligado ou danificado.

### **Se a loiça ficar demasiado quente:**

- O regulador da temperatura pode estar avariado.

### **O interruptor On/Off não é ativado quando o aparelho é ligado:**

- O indicador do controlo do interruptor está avariado.

### **Se o problema persistir após efetuar as verificações acima descritas, contacte o Serviço Pós-Venda mais próximo.**

Indique sempre:

- Uma breve descrição da anomalia;
- O tipo de gaveta de aquecimento e o modelo exato.
- O número de Assistência (é o número que se encontra após a palavra Service na chapa de características) colocado na borda exterior direita da guia da gaveta. O número de Assistência também está indicado no folheto da garantia;
- a sua morada completa;
- o seu número de telefone.

**SERVICE** 00 0000 00000



Caso sejam necessárias reparações, contacte um Centro de Assistência Técnica (para garantir a utilização de peças sobresselentes originais e operações de reparação corretas). Siga estas regras elementares como garantia da qualidade e da segurança do aparelho.

# BRUGSANVISNINGER

	Side
<b>SIKKERHEDSREGLER</b>	<b>69</b>
<b>FØR VARMESKUFFEN ANVENDES</b>	<b>72</b>
<b>INSTALLATION</b>	<b>72</b>
<b>BRUG AF PRODUKTET</b>	<b>73</b>
<b>BESKRIVELSE AF BETJENINGSPANELET</b>	<b>73</b>
<b>VARMESKUFFE</b>	<b>73</b>
<b>BETJENING</b>	<b>73</b>
<b>TEMPERATURVALG</b>	<b>74</b>
<b>VARMETIDER</b>	<b>74</b>
<b>FYLDNINGSKAPACITET</b>	<b>74</b>
<b>RENGØRING OG VEDLIGEHOLDELSE</b>	<b>75</b>
<b>FEJLFINDING</b>	<b>75</b>
<b>KUNDESERVICE</b>	<b>76</b>

## SIKKERHEDSREGLER

## VIGTIGE OPLYSNINGER, DER SKAL LÆSES OG OVERHOLDES

Læs disse sikkerhedsanvisninger før apparatet tages i brug. Opbevar dem i nærheden til senere reference.

Disse anvisninger og selve apparatet er forsynet med vigtige oplysninger om sikkerhed, der altid skal overholdes. Fabrikanten frasiger sig ethvert ansvar for manglende overholdelse af disse sikkerhedsregler, for uhensigtsmæssig brug af apparatet eller forkerte indstillinger.

⚠ Meget små børn (0-3 år) skal holdes på afstand af apparatet. Små børn (3-8 år) skal holdes på afstand af apparatet med mindre de er under konstant opsyn. Apparatet kan bruges af børn på 8 år og derover, og personer med nedsatte fysiske, sensoriske eller mentale evner eller med manglende erfaring og viden, hvis disse er under opsyn eller er oplært i brugen af apparatet på en sikker måde og, hvis de forstår de involverede farer. Børn må ikke lege med apparatet. Rengøring og vedligeholdelse må ikke udføres af børn, medmindre de er under opsyn.

⚠ ADVARSEL: Apparatet og de tilgængelige dele kan blive varme, når apparatet er i brug. Der bør udvises forsigtighed, for at undgå

at røre apparatets opvarmede dele. Børn under 8 år skal holdes væk fra ovnen, medmindre de er under konstant opsyn.

⚠ Apparatet skal altid være under opsyn under tørring af madvarer.

⚠ Hold klude eller andre brændbare materialer væk fra apparatet, indtil alle apparatets dele er fuldstændig afkølede - brandfare. Vær altid opmærksom under tilberedning af fødevarer med et højt indhold af fedt eller olie, eller hvis der skal tilsættes alkoholiske væsker - brandfare. Benyt ovnhandsker når pladerne eller tilbehøret skal tages ud. Åbn lågen forsigtigt ved tilberedningens afslutning, så den varme luft eller damp ledes gradvist ud af ovnrummet - risiko for forbrændinger. Varmflufthullerne på apparatets forside må ikke blokeres - brandfare.

⚠ Pas på apparatet står åbent, for at undgå at støde på lågen.

### TILLADT BRUG

⚠ FORSIGTIG: Apparatet er ikke beregnet til at blive startet ved hjælp af et eksternt tændingssystem, som f.eks. en timer, eller af et separat fjernbetjent system.

⚠ Dette produkt er beregnet til husholdningsbrug samt til brug:

I køkkenet på arbejdspladser, kontorer og/eller forretninger; På landbrugsejendomme; Af kunder på hoteller, moteller, bed & breakfast og andre beboelsesomgivelser.

⚠ Enhver anden brug er forbudt (f.eks. opvarmning af rum).

⚠ Dette apparat er ikke beregnet til erhvervsbrug. Brug ikke apparatet udendørs.

⚠ Opbevar aldrig eksplosionsfarlige eller brændbare stoffer (f.eks. benzin eller spraydåser) i eller i nærheden af apparatet - brandfare.

### **INSTALLATION**

⚠ Flytning og opstilling af apparatet skal foretages af to eller flere personer - risiko for skader. Brug beskyttelseshandsker under udpakning og installation - snitfare.

⚠ Installation, inklusive vandforsyning (om forudset) og elektriske tilslutninger, og reparation skal udføres af en kvalificeret tekniker. Reparér eller udskift ingen af apparatets dele, medmindre dette specifikt er anført i brugsvejledningen. Hold børn væk fra installationsområdet. Kontrollér, at apparatet ikke er blevet beskadiget under transporten. Kontakt forhandleren eller den nærmeste serviceafdeling, hvis der skulle opstå problemer. Efter installation skal emballagen (plastik-, flamingodele etc.)

opbevares udenfor børns rækkevidde - kvælningsrisiko. Tag stikket ud af stikkontakten før, der udføres enhver form for installationsindgreb - risiko for elektrisk stød. Kontrollér at apparatet ikke beskadiger elkablet under installationen - brandfare eller risiko for elektrisk stød. Aktiver kun apparatet, når installationen er fuldendt.

⚠ Skær køkkenelementet til, så det passer, før apparatet installeres i skabet, og fjern omhyggeligt eventuel savsmuld og træspåner.

Fjern først polystyrenskumunderlaget når apparatet skal installeres.

⚠ Der må ikke være adgang til apparatets nederste del efter opstillingen - brandfare.

⚠ Installér ikke apparatet bag en pyntelåge - Brandfare.

### **ELEKTRICITETSRELATEREDE ADVARSLER**

⚠ Typepladen er anbragt på forkanten af apparatet (synlig, når lågen er åben).

⚠ Strømforsyningen skal kunne afbrydes enten ved at tage stikket ud eller ved hjælp af en multi-polet afbryder, der er anbragt før stikkontakten i henhold til el-reglerne, og apparatet skal jordforbindes i overensstemmelse med nationale sikkerhedsstandarder for elektrisk materiel.

⚠ Der må ikke anvendes forlængerledninger eller

multistikdåser. Efter endt installation må der ikke være direkte adgang til de elektriske dele. Rør aldrig ved apparatet, hvis du er våd eller har bare fødder. Anvend ikke dette apparat, hvis strømkablet eller stikket er beskadiget, hvis apparatet ikke fungerer korrekt, eller hvis det er beskadiget, eller har været tabt på gulvet.

⚠ Eventuel udskiftning af elkablet skal foretages af en autoriseret tekniker eller af en tilsvarende kvalificeret person, for at undgå fare for personskade - risiko for elektrisk stød.

⚠ Kontakt et autoriseret servicecenter hvis strømkablet skal skiftes ud.

## **RENGØRING**

**OG**


## **VEDLIGEHOLDELSE**

⚠ **ADVARSEL:** Kontrollér at apparatet er slukket og at stikket er trukket ud af stikkontakten, før der udføres nogen form for vedligeholdelsesindgreb; Anvend aldrig damprensere - risiko for elektrisk stød.

⚠ Brug ikke stærke slibende rengøringsmidler eller metalskrabere til at rengøre glasruden i lågen, da de kan ridse overfladen og ødelægge glasset.


⚠ Sørg for, at apparatet er kølet af, inden er foretages nogen form for rengøring eller vedligeholdelse. - risiko for forbrændinger.

## **BORTSKAFFELSE AF EMBALLAGEN**

Emballagen kan genbruges 100 % og er mærket med genbrugssymbolet . Emballagen bør derfor ikke efterlades i miljøet, men skal bortskaffes i overensstemmelse med lokale regler.

## **BORTSKAFFELSE AF HUSHOLDNINGSPPARATER**

Apparatet er fremstillet af materialer, der kan genbruges. Det skal skrottes i henhold til gældende lokale miljøregler for bortskaffelse af affald. Kontakt de lokale myndigheder, renovationsselskabet eller den forretning, hvor apparatet er købt, for at indhente yderligere oplysninger om behandling, genvinding og genbrug af elektriske husholdningsapparater. Dette apparat er mærket i overensstemmelse med EU-direktiv 2012/19/EU, Affald af elektrisk og elektronisk udstyr (WEEE). Ved at sikre, at dette produkt bliver skrottet korrekt, hjælper man med til at forhindre negative konsekvenser for miljøet og folkesundheden.

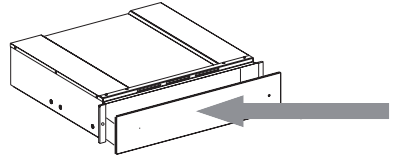
 symbolet på produktet eller den ledsagende dokumentation angiver, at dette produkt ikke må bortskaffes som husholdningsaffald, men at det skal afleveres på nærmeste opsamlingscenter for genbrug af elektrisk og elektronisk udstyr.

# FØR VARMESKUFFEN ANVENDES

**Hvis du vil åbne og lukke skuffen, skal du trykke midt på panelet som vist på figuren.**

Ved første brug rengøres apparatet som vist:

- Rengør overfladerne med en fugtig klud, og tør efter.
- Varm den tomme skuffe op i mindst to timer:  
Drej temperaturknappen til maksimum, for at eliminere eventuelle rester af fedt, olie eller harpiks fremstillingen kan skabe ubehagelige lugte, under opvarmning af retterne. Udluft rummet.
- Når disse handler er udført, er apparatet klar til første brug.
- Fjern før ibrugtagning:
  - fjern klistermærker placeret på forsiden samt varmeskuffens låge, undtagen typeskiltet;
  - hold børn væk fra produktet og emballagematerialerne for at undgå kontakt, hvis der ikke føres korrekt tilsyn med dem;
  - fjern eventuelle klistermærker fra tilbehør, når dette forefindes.



## INSTALLATION

### Sikkerhedsforskrifter for montering af varmeskuffen

**VIGTIGT: Skuffen skal straks fastgøres til kabinettet, og instruktionerne nedenfor skal følges. Det tilkoblede apparat kan ikke installeres, før skuffen er fastgjort til kabinettet.**

#### **Fastgør skuffen som vist på figuren.**

Før du tilslutter apparatet elektrisk, skal du sørge for, at mærkepladen stemmer overens med strømforsyningen, da apparatet i modsat fald kan tage skade.

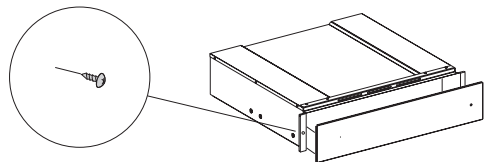
Kontroller, at forbindelsen til

strømforsyningen er let tilgængelig, når apparatet indbygges.

Varmeskuffen kan udelukkende indbygges sammen med andre apparater, der har en maksimal vægt på 60 kg, og som er udstyret med passende afkølingsventilation.

For at installere det apparat, der kan kombineres med varmeskuffen, er det nødvendigt at følge anvisningerne i den relevante brugerhåndbog.

**Vigtigt:** Kaffemaskiner og kombimikrobølgeovne af samme mærke, med mål som vist på følgende side, kan installeres oven over varmeskuffen. Ved montering skal du omhyggeligt følge anvisningerne i de instruktionshåndbøger, der følger med kaffemaskinen og kombimikrobølgeovnen.

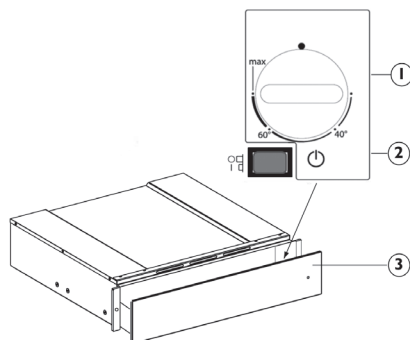




# BRUG AF PRODUKTET

## BESKRIVELSE AF BETJENINGSPANELET

1. Temperaturknop
2. Lysende afbryderkontakt
3. Tændt/slukket-lampe



## VARMESKUFFE

Betjeningselementerne er temperaturknappen og den lysende afbryderkontakt. Når kontakten er trykket ind (position 1), er skuffen tændt, hvorimod skuffen er slået fra, når kontakten er sluppet (position 0).

Disse elementer er kun synlige, når skuffen er åben.

Når skuffen er lukket, vil en kontrollampe på forsiden af apparatet angive, om skuffen er slået til.

## BETJENING

- Anbring servicet i skuffen
- Indstil en temperatur
- Tænd for apparatet. Kontakten tænder
- Luk skuffen omhyggeligt
- Sluk for apparatet, før du fjerner de opvarmede retter.

# TEMPERATURVALG

Temperaturkontrolknappen giver mulighed for indstillinger op til ca. 75 °C (maks.). Drej temperaturknappen med uret, indtil den rammer stopklodsen, som angiver maksimum, og derefter mod uret.

Forsøg ikke at dreje knappen længere, end den kan, da det kan beskadige termostaten.

Indstillingen af temperaturen	Brugsanvisninger	
40° C	kopper, glas	Kopper og glas, der opvarmes ved denne temperatur, er med til at forlænge afkølingstiden for drikkevarer, der tilsættes bagefter. Brug handsker, når beholderne tages ud af skuffen.
60° C	tallerkener	Tallerkener, der opvarmes til denne temperatur, er med til at forlænge afkølingstiden for den mad, der efterfølgende anbringes på dem. Brug handsker, når beholderne tages ud af skuffen.
MAX cirka 75 °C	service	Termostaten er indstillet til den højeste temperatur. Brug handsker, når beholderne tages ud af skuffen.

## VARMETIDER

Den tid, det tager at opvarme tallerkener, glas osv., afhænger af forskellige faktorer:

- Servicets materiale og tykkelse
- Vægt
- Den måde, fyldningen er arrangeret på
- Regulering af temperaturen

Det er derfor ikke muligt at give absolutte angivelser.

Det er en god idé at fastlægge de optimale indstillinger baseret på praktisk erfaring

## FYLDNINGSKAPACITET

Fyldningskapaciteten afhænger af apparatets højde og retternes størrelse.

Husk, at skuffen maksimalt kan holde til en vægt på 25 kg.

# RENGØRING OG VEDLIGEHOLDELSE

**Sørg for, at apparatet er koldt, inden du foretager vedligeholdelse eller rengøring.**

**Anvend ikke damprensere.**

**Apparatets strømforsyning skal afbrydes før enhver form for vedligeholdelse.**

**Brug beskyttelseshandsker.**

**Brug ikke metalsvampe, skuremidler eller slibende/ætsende rengøringsmidler, da disse kan beskadige apparatets overflader.**

Til skuffer med iXelium-behandling skal du gøre følgende:

- Brug en blød klud (helst mikrofiber) med vand eller et normalt glasrengøringsmiddel.
- Brug ikke papirservietter, da de kan efterlade spor af papir og striber på overfladen.
- Brug ikke slibende, ætsende eller klorholdige produkter eller skuresvampe.
- Anvend ikke brændbare damprensere til rengøring.
- Efterlad ikke syreholdige eller basiske stoffer som for eksempel eddike, sennep, salt, sukker eller citronsaft på overfladen.

Til glasflader skal du gøre følgende:

- Brug et neutralt rensmiddel samt lunkent vand, og tør efter med en blød klud.
- Efterlad ikke syreholdige eller basiske stoffer som for eksempel eddike, sennep, salt, sukker eller citronsaft på overfladen.

## **Skuffebund i hærdet glas**

Det er en god idé at rense bunden af skuffen efter hver brug og at lade den køle ned. Dette forhindrer opbygning af snavs og gør rengøringen nemmere.

- Brug en ren klud, noget køkkenrulle og opvaskemiddel eller et specialmiddel beregnet til hærdet glas.
- Brug ikke slibemidler, blegemidler, ovenrens eller metalskuresvampe.

## FEJLFINDING

**Hvis servicet ikke er varmt nok, skal det kontrolleres om:**

- Apparatet er tændt
- Den korrekte temperatur er indstillet
- Ventilationsåbningerne ikke er dækket af plader eller store skåle
- Skålene ikke blev opvarmet længe nok.
- Hovedafbryderen ikke er blevet slukket.

Flere faktorer har indflydelse på opvarmningstiden, f.eks.:

- servicets materiale og tykkelse, skuffens fyldning, anbringelse af fyldningen, indstillingen af temperaturen.
- De optimale varigheder til opvarmning af retter varierer, og det er derfor en god idé at udføre tests for at fastlægge dem efter behov.

# KUNDESERVICE

## **Før Service kontaktes:**

1. Undersøg, om det er muligt selv at rette fejlene vha. "Fejlfindingsoversigt".
2. Sluk for apparatet, og tænd for det igen for at kontrollere, om fejlen er afhjulpet.

## **Ved følgende problemer skal du kontakte en kvalificeret tekniker eller Service:**

### **Hvis servicet ikke bliver varmt:**

- Elkablet kan være trukket ud af stikkontakten eller have taget skade.

### **Hvis servicet bliver for varmt:**

- Termostatknappen kan være defekt.

### **Hovedafbryderen aktiveres ikke, når apparatet er tændt:**

- Kontaktens kontrollampe er defekt.

### **Kontakt den nærmeste serviceafdeling, hvis problemet stadig ikke er løst efter afvikling af de ovenstående kontroller.**

Angiv altid:

- En kort beskrivelse af fejlen;
- varmeskuffens type og nøjagtige model;
- servicenummeret (tallet efter ordet Service på typepladen), som er anbragt på skuffeskinnens udvendige kant til højre. Servicenummeret står også i garantibeviset;
- Din fulde adresse;
- Telefonnummer.

**SERVICE** 00 0000 00000



Hvis det er nødvendigt at reparere apparatet, kontaktes et autoriseret servicecenter (således sikres originale reservedele og korrekt reparation). Overholdes disse anvisninger ikke, kan det gå ud over produktets sikkerhed og kvalitet.

# KÄYTTÖOHJEET

	Sivu
<b>TURVALLISUUSOHJEET</b>	<b>78</b>
<b>ENNEN LÄMMITYSLAATIKON KÄYTTÖÄ</b>	<b>81</b>
<b>ASENNUS</b>	<b>81</b>
<b>TUOTTEEN KÄYTTÖ</b>	<b>82</b>
<b>KÄYTTÖPANEELIN KUVAUS</b>	<b>82</b>
<b>LÄMMITYSLAATIKKO</b>	<b>82</b>
<b>KÄYTTÖ</b>	<b>82</b>
<b>LÄMPÖTILAN VALINTA</b>	<b>83</b>
<b>LÄMMITYSAJAT</b>	<b>83</b>
<b>TÄYTTÖMÄÄRÄ</b>	<b>83</b>
<b>PUHDISTUS JA HUOLTO</b>	<b>84</b>
<b>VIANETSINTÄ</b>	<b>84</b>
<b>HUOLTOPALVELU</b>	<b>85</b>

Lue nämä turvallisuusohjeet ennen laitteen käyttöä. Säilytä ne lähettyvillä tulevaa tarvetta varten. Näissä ohjeissa ja itse laitteessa on tärkeitä turvallisuutta koskevia varoituksia, joita on aina noudatettava. Valmistaja kieltäytyy kaikesta vastuusta, jos näitä turvallisuusohjeita ei noudateta tai jos laitetta käytetään sopimattomasti tai säätimet asetetaan virheellisesti.

⚠ Pienet lapset (0–3 vuotta) on pidettävä loitolla laitteesta. Nuoret lapset (3–8 vuotta) on pidettävä loitolla laitteesta, ellei heitä valvota jatkuvasti. Laitetta voivat käyttää 8-vuotiaat ja sitä vanhemmat lapset sekä henkilöt, joiden fyysinen, henkinen tai aistitoimintojen suorituskyky on rajoittunut taikka joilla ei ole riittävää kokemusta ja tietoja vain, jos heitä valvotaan tai heille on annettu turvallista käyttöä koskevat ohjeet ja he ymmärtävät mahdolliset vaaratilanteet. Lapset eivät saa leikkiä laitteella. Lapset eivät saa suorittaa puhdistus- tai huoltotoimenpiteitä ilman valvontaa.

⚠ VAROITUS: Laite ja sen kosketettavissa olevat osat kuumenevat käytön aikana. Varo koskettamasta lämmitysvastuksia. Alle 8-vuotiaat lapset on pidettävä loitolla, ellei heitä valvota jatkuvasti.

⚠ Älä koskaan jätä laitetta ilman valvontaa elintarvikkeiden kuivaamisen aikana.

⚠ Pidä vaatteet ja muut palonarat materiaalit etäällä laitteesta, kunnes kaikki osat ovat kokonaan jäähtyneet – tulipalovaara. Ole aina varovainen runsaasti rasvaa tai öljyä sisältäviä ruokia valmistaessasi tai alkoholijuomia lisätessäsi – tulipalovaara. Käytä uunikäsineitä kun otat pois pannuja ja lisävarusteita. Kun kypsennys on loppunut, avaa luukku varovaisesti antaen kuuman ilman tai höyryn poistua asteittain ennen kuin viet käsiäsi uunin sisälle – palovammavaara. Älä tuki kuuman ilman tuuletusaukkoja laitteen etupuolella – tulipalovaara.

⚠ Noudata varovaisuutta, ettet törmää laitteen luukkuun sen ollessa auki.

## SALLITTU KÄYTTÖ

⚠ VARO: Laitetta ei ole tarkoitettu käytettäväksi ulkopuolisen kytkentälaitteen, kuten esimerkiksi ajastimen, tai erillisen kauko-ohjausjärjestelmän kanssa.

⚠ Tämä laite on tarkoitettu kotitalouskäyttöön ja vastaaviin käyttötarkoituksiin, kuten: henkilöstön keittiötiloihin kaupoissa, toimistoissa ja muissa työympäristöissä; maataloissa; asiakashäyttöön hotelleissa, motelleissa,

aamiaismajoituspaikoissa ja muissa asuinympäristöissä.

⚠ Mikä tahansa muu käyttö on kiellettyä (esimerkiksi huoneiden lämmittäminen).

⚠ Tätä laitetta ei ole tarkoitettu ammattikäyttöön. Älä käytä laitetta ulkona.

⚠ Älä säilytä räjähtäviä tai syttyviä aineita (esim. bensiiniä tai aerosolipakkauksia) laitteen sisällä tai sen läheisyydessä – tulipalon vaara.

### **ASENNUS**

⚠ Laitteen siirtämisessä ja asennuksessa tarvitaan vähintään kaksi henkilöä – loukkaantumisen vaara. Käytä suojakäsineitä pakkauksen avaamisen ja asennuksen yhteydessä – leikkautumisvaara.

⚠ Asennus, mukaan lukien vesikytkennät (jos niitä on) ja sähkökytkennät sekä korjaukset on annettava pätevän asentajan tehtäväksi. Älä korjaa tai vaihda mitään laitteen osaa, ellei käyttöohjeessa nimenomaan näin kehoiteta. Pidä lapset loitolla asennuspaikasta. Kun olet purkanut laitteen pakkauksesta, varmista, että laite ei ole vahingoittunut kuljetuksen aikana. Jos ilmenee ongelmia, ota yhteys jälleenmyyjään tai lähimpään huoltopisteeseen. Asennuksen jälkeen pakkausjätteet (muovi, styroksiasat, jne.) on säilytettävä lasten ulottumattomissa – tukehtumisvaara. Laite on

kytkettävä irti sähköverkosta ennen mitään asennustoimenpiteitä – sähköiskun vaara. Varmista asennuksen aikana, että laite ei vaurioita virtajohtoa – tulipalon tai sähköiskun vaara. Kytke laite päälle vasta kun asennus on valmis.

⚠ Suorita kaikki kalusteiden leikkaustyöt ennen kuin asetat laitteen paikalleen kalusteeseen ja poista kaikki lastut sekä sahanpuru. Älä ota laitetta pois sen polystyreenivaahoalustalta ennen kuin asennushetkellä.

⚠ Asennuksen päätyttyä laitteen alaosa ei saa olla kosketeltavissa – palovammavaara.

⚠ Älä asenna laitetta koristeoven taakse - tulipalovaara.

### **SÄHKÖÄ KOSKEVAT VAROITUKSET**

⚠ Arvokilpi sijaitsee laitteen etureunassa (näkyvä, kun lämmityslaatikko on auki).

⚠ Laite on voitava kytkeä irti sähköverkosta irrottamalla pistoke pistorasiasta, jos pistorasia on saavutettavissa, tai pistorasian edelle asennetusta moninapaisesta kytkimestä, minkä lisäksi laite on maadoitettava kansallisten sähköistä turvallisuutta koskevien määräysten mukaisesti.

⚠ Älä käytä jatkojohtoja, jakorasioita tai adaptereita. Kun asennus on tehty, sähköosat eivät saa olla käyttäjän ulottuvilla. Älä käytä laitetta märkinä tai paljasjaloin. Älä käytä tätä laitetta, jos virtajohto tai pistoke on vahingoittunut, jos laite ei toimi

kunnolla tai jos se on vaurioitunut tai pudonnut.

**⚠** Jos virtajohto on vahingoittunut, sen tilalle on vaihdettava toinen samanlainen; vaarojen välttämiseksi vaihdon saa suorittaa valmistaja, valmistajan huoltopalvelu tai vastaava pätevä henkilöstö – sähköiskuvaara.

**⚠** Jos virtajohto joudutaan vaihtamaan, ota yhteyttä valtuutettuun huoltopalveluun.

### **PUHDISTUS JA HUOLTO**


**⚠** VAROITUS: Varmista, että laite on sammutettu ja sen virtakytkentä on katkaistu, ennen kuin ryhdyt mihinkään huoltotoimenpiteisiin; älä koskaan käytä puhdistamiseen höyrypesuria – sähköiskun vaara.

**⚠** Älä käytä luukun lasin puhdistukseen hankaavia puhdistusaineita tai metallikaapimia, koska ne voivat naarmuttaa pintaa ja aiheuttaa lasin rikkoontumisen.

**⚠** Varmista, että laite on jäähtynyt, ennen kuin ryhdyt mihinkään puhdistus-taihuoltotoimenpiteisiin. – palovammavaara.


## **PAKKAUSMATERIAALIEN**

### **HÄVITTÄMINEN**

Pakkaus on valmistettu 100-prosenttisesti kierrätettävästä materiaalista ja siinä on kierrätysmerkki . Pakkauksen osia ei saa heittää roskeen vaan ne on hävitettävä paikallisten jätehuoltoviranomaisten määräysten mukaisesti.

### **KODINKONEIDEN KÄYTTÖSTÄPOISTO JA HÄVITTÄMINEN**

Tämä tuote on valmistettu kierrätettävistä tai uusiokäyttöön soveltuvista materiaaleista. Hävitä laite paikallisten jätehuoltomääräysten mukaisesti. Lisätietoja sähkökäyttöisten kodinkoneiden käsittelystä, materiaalin keräämisestä ja kierrätyksestä saat paikallisilta viranomaisilta, jätehuollosta tai liikkeestä, josta laite on ostettu. Tämä laite on merkitty sähkö- ja elektroniikkalaiteromudirektiivin 2012/19/EU (WEEE-direktiivi) mukaisesti. Varmistamalla, että tuote poistetaan käytöstä asianmukaisesti, voidaan auttaa estämään ympäristö- ja terveyshaittoja.

Symboli  tuotteessa tai sen asiakirjoissa tarkoittaa, ettei laitetta saa hävittää kotitalousjätteiden mukana. Sen sijaan tuote on toimitettava sähkö- ja elektroniikkakomponenttien keräys- ja kierrätyspisteeseen.

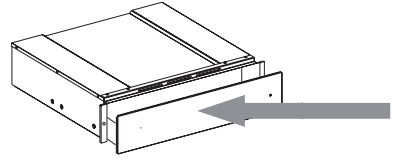


# ENNEN LÄMMITYSLAATIKON KÄYTTÖÄ

**Laatikko avataan ja suljetaan painamalla paneelin keskeltä kuvan mukaisesti.**

Puhdista laite seuraavasti ennen ensimmäistä käyttöä:

- Puhdista pinnat kostealla liinalla ja kuivaa lopuksi.
- Esilämmitä tyhjää laatikkoa ainakin kaksi tuntia: käännä lämpötilanuppi suurimpaan arvoon, jotta kaikki rasvan, öljyn tai valmistuksessa käytettyjen hartsien jätteet saadaan pois; muutoin nämä saattavat aiheuttaa epämiellyttäviä hajuja astioiden lämmityksen aikana. Tuuleta huone.
- Näiden toimenpiteiden jälkeen laite on valmis ensimmäistä käyttöä varten.
- Poista ennen käyttöä:
  - Poista lämmityslaatikon etuosan ja luokkuun liimatut tarrat arvokilpeä lukuun ottamatta.
  - Pidä lapset poissa laitteen luota ja pakkausmateriaalien ulottuvilta vahinkojen välttämiseksi, jos lapset jäävät ilman valvontaa.
  - Poista mahdollisiin lisävarusteisiin kiinnitetyt tarrat.



## ASENNUS

**Lämmityslaatikon turvalliset asennusohjeet**

**TÄRKEÄÄ:** Lämmityslaatikko on kiinnitettävä välittömästi kalusteeseen seuraavien ohjeiden mukaisesti. Lämmityslaatikon yhteyteen asennettavaa toista laitetta ei voi asentaa ennen kuin laatikko on kiinnitetty kalusteeseen.

**Kiinnitä lämmityslaatikko paikalleen kuvan mukaisesti.**

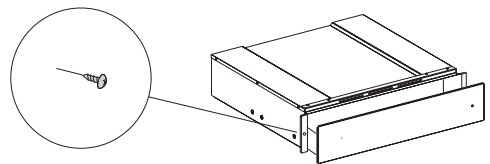
Ennen kuin kytket laitteen sähköverkkoon, tarkista, että arvokilven tiedot vastaavat verkkovirran syöttöä. Muussa tapauksessa laite voi vaurioitua.

Tarkista, että verkkovirtakytkentä on helposti ulottuvilla laitteen asennuksen jälkeen.

Lämmityslaatikko voidaan asentaa vain sellaisen toisen laitteen yhteyteen, jonka enimmäispaino on 60 kg ja jossa on asianmukainen jäähdytyspuhallin.

Noudata lämmityslaatikon yhteyteen asennettavan laitteen asennuksessa kyseisen laitteen käyttö- ja asennusoppaan ohjeita.

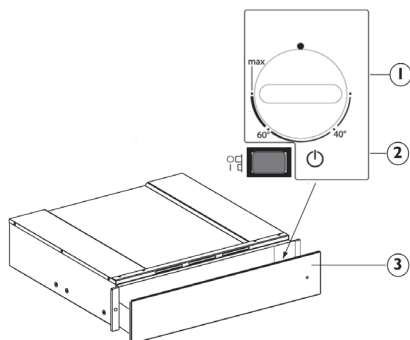
**Tärkeää:** Lämmityslaatikon yläpuolelle voi asentaa samaa merkkiä olevan kahvinkeitin tai yhdistelmämikroaaltouunin, jonka koko on seuraavalla sivulla esitettyjen tietojen mukainen. Noudata asennuksessa tarkasti kahvinkeitin tai mikroaaltouunin mukana toimitettuja asennusohjeita.



# TUOTTEEN KÄYTTÖ

## KÄYTTÖPANEELIN KUVAUS

1. Lämpötilakytin
2. Merkkivalollinen virtakytin
3. Virran merkkivalo



## LÄMMITYSLAATIKKO

Laitetta käytetään lämpötilakytimellä ja virtakytimellä, jossa on merkkivalo. Kun virtakytin on painettu alas (asento 1), lämmityslaatikko on toiminnassa. Kun virtakytin on vapautettu (asento 0), lämmityslaatikko ei ole toiminnassa. Nämä elementit näkyvät vain laatikon ollessa auki. Kun laatikko on kiinni, laitteen etupuolella oleva merkkivalo ilmaisee, onko laite toiminnassa.

## KÄYTTÖ

- Laita astiat laatikkoon
- Säädä lämpötila
- Kytke laite päälle; painikkeen valo syttyy
- Sulje laatikko varovasti ohjaten
- Kytke laite pois päältä ennen kuin otat lämmitetyt astiat pois laatikosta.

# LÄMPÖTILAN VALINTA

Lämpötilakytkimellä lämpötilan voi säätää noin 75 °C:seen (maksimilämpötila). Kierrä lämpötilakytöntä myötöpäivään ääriasentoon, joka on maksimiasento, ja sen jälkeen vastapäivään.

Älä yritä kääntää kytkintä ääriasennon ohi: termostaatti voi vaurioitua.

Lämpötilan säätö	Käyttöohjeet	
40 °C	kupit, lasit	Kun kupit ja lasit lämmitetään tähän lämpötilaan, juomat eivät jäähdy niin nopeasti. Käytä käsineitä ottaessasi astiat pois laatikosta.
60 °C	lautaset	Kun lautaset lämmitetään tähän lämpötilaan, ruoka ei jäähdy niin nopeasti. Käytä käsineitä ottaessasi astiat pois laatikosta.
MAKS. noin 75 °C	astiat	Termostaatti on säädetty maksimilämpötilaan. Käytä käsineitä ottaessasi astiat pois laatikosta.

## LÄMMITYSAJAT

Lautasten, lasien jne. vaatima lämmitysaika riippuu erilaisista tekijöistä:

- Astioiden materiaali ja paksuus
- Täyttömäärä
- astioiden järjestely
- Lämpötila-asetus

Täsmällisiä arvoja ei sen vuoksi voida antaa.

Määritä sopivat asetukset kokeilemalla

## TÄYTTÖMÄÄRÄ

Täyttömäärä riippuu laitteen korkeudesta ja astioiden koosta.

Muista, että lämmityslaatikon sallittu maksimikuormitus on 25 kg.

# PUHDISTUS JA HUOLTO

**Varmista, että laite on jäähtynyt, ennen kuin aloitat huolto- tai puhdistustoimenpiteet. Älä käytä höyrypesuria. Laite on kytkettävä irti sähköverkosta ennen minkään tyyppisten huoltotöiden aloittamista.**

**Käytä suojakäsineitä. Älä käytä teräsvillaa, hankaavia kaapimia tai hankaavia/syövyttäviä puhdistusaineita, koska ne voivat vahingoittaa laitteen pintaa.**

iXelium-pinnoituksella käsiteltyjen lämmityslaatikoiden puhdistus:

- Käytä pehmeää liinaa (mielellään mikrokuituliinaa) ja vettä tai normaalia lasinpesuainetta.
- Älä käytä paperipyyhkeitä, sillä niistä voi jäädä pintoihin paperinukkaa ja raitoja.
- Älä käytä hankaavia tai syövyttäviä aineita, klooripitoisia tuotteita tai hankaussieniä.
- Älä käytä syttyviä höyrypuhdistuslaitteita.
- Älä jätä pinnoille happamia tai emäksisiä aineita, kuten viinietikkaa, sinappia, suolaa, sokeria, sitruunamehua tms.

Lasipintojen puhdistus:

- Puhdista miedolla pesuaineella ja haalealla vedellä ja kuivaa lopuksi pehmeällä liinalla.
- Älä jätä pinnoille happamia tai emäksisiä aineita, kuten viinietikkaa, sinappia, suolaa, sokeria, sitruunamehua tms.

## **Karkaistusta lasista valmistettu laatikon pohja**

Laatikon pohja on suositeltavaa puhdistaa jokaisen käyttökerran yhteydessä sen jälkeen, kun pohja on jäähtynyt. Näin lika ei pääse pinnittymään ja puhdistus käy helpommin.

- Käytä puhdasta liinaa, talouspaperia ja astianpesuainetta tai karkaistulle lasille tarkoitettua erikoispuhdistusainetta.
- Älä käytä hankaavia tuotteita, valkaisuaineita, uuninpuhdistussuihkeita tai metallisia hankaussieniä.

## VIANETSINTÄ

**Jos astiat eivät lämpene riittävästi, tarkista, että**

- laite on kytketty toimintaan
- on asetettu oikea lämpötila
- lautaset tai suurikokoiset kulhot eivät peitä ilmanvaihtoaukkoja
- astioita on lämmitetty tarpeeksi kauan
- virtaa ei ole katkaistu pääkytkimestä.

Lämmitysaikaan vaikuttavat eri tekijät, esimerkiksi:

- astioiden materiaali ja paksuus, täyttömäärä, astioiden järjestely, lämpötilan asetus
- Koska astioiden optimaaliset lämmitysajat vaihtelevat, määrityt sopivat ajat erilaisille astioille kokeilemalla.

# HUOLTOPALVELU

## Ennen kuin otat yhteyttä huoltoon:

1. Kokeile, voitko korjata vian itse. Katso kohtaa Vianetsintä.
2. Kytke laite pois päältä ja uudelleen päälle ja tarkista, onko ongelma poistunut.

## Seuraavien ongelmien yhteydessä on otettava yhteyttä huoltoteknikkoon tai huoltoliikkeeseen:

### Jos astiat eivät lämpene:

- virtajohto voi olla irti tai vahingoittunut.

### Jos astiat lämpenevät liikaa:

- lämpötilan säädin saattaa olla vaurioitunut.

### Virtakytkin ei toimi, kun laite on kytketty päälle:

- kytkimen merkkivalo on rikki.

### Jos yllä mainittujen tarkastusten jälkeen vika ei ole korjautunut, ota yhteyttä lähimpään huoltopalveluun.

Ilmoita aina:

- lyhyt kuvaus viasta
- lämmityslaatikon tyyppi ja malli
- huoltokoodi (arvokilpeen sanan Service jälkeen merkitty numero), joka sijaitsee laatikon vetokiskon kohdalla, ulkoseinämässä. Huoltokoodi on merkitty myös takuukorttiin.
- täydellinen osoitteesi
- puhelinnumerosi.

**SERVICE** 00 0000 00000



Jos korjaukset ovat tarpeen, ota yhteys valtuutettuun huoltoliikkeeseen (näin varmistat alkuperäisten varaosien käytön ja asianmukaisen korjauksen). Näiden ohjeiden laiminlyönti saattaa vaarantaa tuotteen turvallisuuden ja laadun.

# INSTRUKSER FOR BRUK

	<b>Side</b>
<b>SIKKERHETSREGLER</b>	<b>87</b>
<b>FØR VARMESKUFFEN TAS I BRUK</b>	<b>90</b>
<b>MONTERING</b>	<b>90</b>
<b>HVORDAN BRUKE PRODUKTET</b>	<b>91</b>
<b>BESKRIVELSE AV BETJENINGSPANELET</b>	<b>91</b>
<b>VARMESKUFF</b>	<b>91</b>
<b>BRUK</b>	<b>91</b>
<b>TEMPERATURVALG</b>	<b>92</b>
<b>OPPVARMINGSTIDER</b>	<b>92</b>
<b>KAPASITET</b>	<b>92</b>
<b>RENGJØRING OG VEDLIKEHOLD</b>	<b>93</b>
<b>FEILSØKINGSLISTE</b>	<b>93</b>
<b>ETTERSALGSSERVICE</b>	<b>94</b>

Les disse sikkerhetsinstruksene før du tar i bruk apparatet. Oppbevar de i nærheten for fremtidig referanse.

Disse anvisningene og selve husholdningsapparatet er utstyrt med viktige meldinger om sikkerhet. Disse må alltid leses og følges. Produsenten fraskriver seg ethvert ansvar for unnlattelse av å følge disse sikkerhetsinstruksjonene, for uegnet bruk av apparatet eller feil innstilling av kontroller.

⚠ Svært små barn (0-3 år) må holdes unna apparatet. Små barn (3-8 år) må holdes på sikker avstand fra apparatet med mindre de holdes under kontinuerlig oppsyn. Barn fra 8 år og oppover og personer med nedsatt sansevne eller fysisk eller psykisk funksjonsevne, eller manglende erfaring og kunnskap kan kun bruke dette apparatet under tilsyn eller hvis de har fått opplæring i trygg bruk av apparatet og forstår farene det innebærer. Ikke la barn leke med maskinen. Barn må ikke foreta rengjørings- eller vedlikeholdsoppgaver uten tilsyn av voksne.

⚠ **ADVARSEL:** Apparatet og dets tilgjengelige deler kan bli varme ved bruk. Vær forsiktig så ingen kommer borti

varmeelementene. Barn under 8 år må holdes unna hvis de ikke er under kontinuerlig oppsyn.

⚠ La aldri apparatet stå uten oppsyn ved tørking av mat.

⚠ Hold klær eller andre brennbare materialer borte fra apparatet, inntil alle komponenter er fullstendig avkjølt - fare for brann. Vær alltid spesielt oppmerksom ved tilberedning av matvarer som inneholder mye fett, olje eller når du tilfører alkoholholdige drikkevarer - fare for brann. Bruk grytekluter for å fjerne panner og tilbehør. Når tilberedningen er avsluttet, må du forsiktig åpne døren, slik at varm luft eller damp gradvis forsvinner før du når fram til ovnsrommet - fare for brannskader. Du må ikke dekke til åpningene for utslipp av varm luft framme på apparatet - fare for brann.

⚠ Vær forsiktig når apparatet befinner seg i åpen posisjon, for å unngå å støte mot døren.

## **TILLATT BRUK**

⚠ **FORSIKTIG:** Apparatet er ikke ment til å betjenes ved hjelp av en ekstern bryter, slik som et tidsur eller et separat fjernkontrollsystem.

⚠ Dette apparatet er beregnet for bruk i husholdninger og på lignende steder som for

eksempel: selvbetjente kjøkken for butikkansatte, på kontorer eller på andre arbeidsplasser; gårder; av kunder på hotell, motell, bed & breakfast og andre overnattingssteder.

⚠ Ingen annen bruk er tillatt (f.eks. oppvarming av rom).

⚠ Dette apparatet er ikke for profesjonell bruk. Ikke bruk maskinen utendørs.

⚠ Ikke oppbevar eksplosive eller brannfarlige stoffer (f.eks. bensin eller aerosolbeholdere) inne i eller nær apparatet - fare for brann.

### **MONTERING**

⚠ Flytting og montering av produktet må utføres av to eller flere personer - fare for skade. Bruk beskyttende hansker for å pakke ut og installere maskinen - fare for kutt.

⚠ Installasjon, inkludert vanntilførsel (hvis dette finnes) og elektrisk tilkøpling, og reparasjoner må utføres av en kvalifisert tekniker. Ikke reparer eller erstatt deler av maskinen med mindre det er tydelig spesifisert i bruksanvisningen. Hold barn på sikker avstand fra installeringsområdet. Pakk ut maskinen og forsikre deg om at det ikke er blitt skadet under transporten. Hvis det oppstår problemer, kontakt forhandleren eller nærmeste ettersalgsservice. Når maskinen er installert, må emballasjeavfall (plast, deler

i styroskum osv.) oppbevares utilgjengelig for barn - fare for kvelning. Maskinen må alltid frakobles strømmettet før installering- fare for elektrisk støt. Under installeringen må du passe på at strømleningen ikke kommer i klem og blir skadet - fare for brann eller elektrisk støt. Maskinen må ikke settes på før installeringen er fullført.

⚠ Utfør alt arbeidet med å skjære i kjøkkeninnredningen før du monterer apparatet og fjern all flis og støv.

Fjern ikke apparatet fra sin base i polystyrenskum før det er tid for installasjon.

⚠ Etter installasjonen må bunnen av apparatet ikke lenger være tilgjengelig - fare for brann.

⚠ Apparatet må ikke installeres bak en dekorativ dør - fare for brann.

### **ELEKTRISKE ADVARSLER**

⚠ Typeskiltet sitter på forkanten på apparatet (synlig når døren varmeskuffen åpnes).

⚠ Det må være mulig å koble apparatet fra strømforsyningen ved å trekke ut støpslet dersom støpslet er tilgjengelig, eller ved hjelp av en flerpolet bryter montert ovenfor stikkontakten i henhold til regler for montering av ledninger og apparatet må jordes i samsvar med de nasjonale elektriske sikkerhetsstandardene.



**⚠** Ikke bruk skjøteledninger, multi-stikkontakter eller adaptere. De elektriske komponentene må ikke være tilgjengelige etter installasjonen. Bruk ikke apparatet når du er våt eller barføtt. Bruk ikke maskinen hvis strømledningen eller støpselet er skadet, hvis det ikke fungerer som det skal, eller dersom det er skadet eller har falt ned.

**⚠** Hvis strømledningen er skadet, må den erstattes med en identisk ledning av produsenten, serviceavdelingen eller tilsvarende kvalifiserte personer for å unngå farlige situasjoner - fare for elektrisk støt.

**⚠** Ta kontakt med et godkjent service-senter dersom strømledningen må skiftes ut.


## **RENGJØRING OG VEDLIKEHOLD**

**⚠ ADVARSEL:** Påse at apparatet er slått av og koplet fra strømforsyningen for du utfører vedlikehold; Bruk aldri damprenngjøringsutstyr - fare for elektrisk støt.

**⚠** Bruk ikke skuremidler eller skraperedskap av metall for å rengjøre glasset i ovnsdøren. Dette kan ripe overflaten av glasset, noe som kan føre til at glasset slår sprekker.

**⚠** Påse at apparatet er avkjølt før du utfører rengjøring eller vedlikehold. - fare for brannskader.

## **AVHENDING AV EMBALLASJEMATERIAL**

Emballasjen består av 100% resirkulerbart material, og er merket med resirkulerings symbolet . De forskjellige delene av emballasjen skal ikke kastes i husholdningsavfallet, men resirkuleres i henhold til de lokale forskrifter.

## **AVHENDING AV HUSHOLDNINGSAPPARAT**

Apparatet er fremstilt av materialer som kan resirkuleres eller brukes om igjen. Apparatet må avfallsbehandles i samsvar med lokale bestemmelser angående avfallsbehandling. For videre informasjon om behandling, gjenvinning og resirkulering av elektriske husholdningsapparater, kan du kontakte kommunen, det lokale renholdsverket eller butikken der du kjøpte husholdningsapparatet. Dette apparatet er merket i overensstemmelse med det Europeiske Direktivet 2012/19/EU, Kasserte elektriske og elektroniske produkter (WEEE). Ved å sørge for at dette produktet kasseres forskriftmessig, bidrar du til å forhindre de negative miljø- og helsekonsekvensene feil avfallshåndtering av dette produktet kan forårsake.

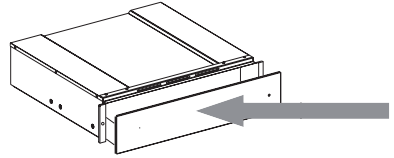
**⚠** Symbolet på produktet eller på de vedlagte dokumentene, indikerer at det ikke må behandles som vanlig husholdningsavfall, men transporteres til en innsamlingsstasjon for resirkulering av elektrisk og elektronisk utstyr.

# FØR VARMESKUFFEN TAS I BRUK

**For å åpne og lukke skuffen, trykk midt på panelet som vist på figuren.**

Før første gangs bruk, rengjør apparatet slik:

- rengjør overflaten med en fuktig klut og tørk deretter.
  - Forhåndsoppvarm den tomme skuffen i minst to timer: vri temperaturknotten til maksimal posisjon for å eliminere rester etter fett, olje eller material fra produksjonen som kan skape ubehagelige lukt under oppvarming av retter. Luft ut rommet.
  - Når du har gjort dette, er apparatet klart for første gangs bruk.
- Før bruk må du fjerne:
    - klebemerker framme og på døren på varmeskuffen (bortsett fra typeskiltet);
    - hold barn på sikker avstand fra produktet og emballasjen, slik at de ikke kan leke med det, når de ikke holdes under oppsyn;
    - alle klebemerker fra eventuelt tilbehør når de finnes.



## MONTERING

### Sikkerhetsinstruksjoner for montering av varmeskuffen

**VIKTIG: Det første som må gjøres er å feste skuffen til kabinettet i henhold til bruksanvisningen under. Det kombinerte apparatet kan ikke installeres før skuffen er festet til kabinettet.**

### Monter skuffen som vist på figuren.

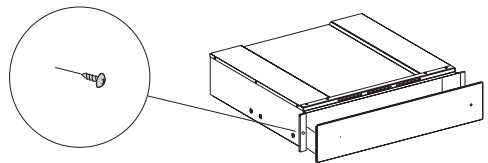
Før apparatet kobles til strøm, forsikre deg om at informasjonen på typeplaten stemmer med strømforsyningen, ellers kan apparatet bli skadet.

Sørg for at strømtilkoblingen er lett tilgjengelig etter at apparatet er montert.

Varmeskuffen kan kun bygges inn i kombinasjon med apparat med maks. vekt på 60 kg og som er utstyrt med ventilasjon som gir tilstrekkelig kjøling.

For å installere apparatet som kan kombineres med tallerkenvarmeren, følg instruksjonene i den relevante håndboken for bruk og installasjon.

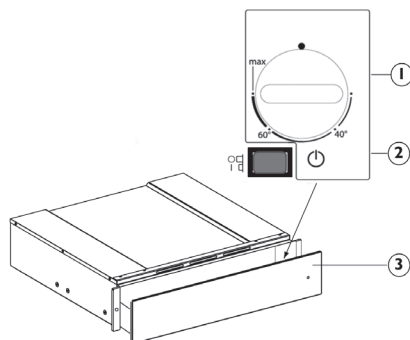
**Viktig:** Kaffemaskin eller kombinert mikrobølgeovn av samme merke, med størrelse som vist på neste side, kan installeres over varmeskuffen. Ved installasjon, følg nøye retningslinjene i instruksjonsbøkene som leveres med kaffemaskinen eller den kombinerte mikrobølgeovnen.



# HVORDAN BRUKE PRODUKTET

## BESKRIVELSE AV BETJENINGSPANELET

1. Temperaturknapp
2. Lysende AV/PÅ-bryter
3. AV/PÅ-indikator



## VARMESKUFF

Kontrollelementene er temperaturknappen og den lysende AV/PÅ-bryteren. Når bryteren er trykket inn (posisjon 1), er skuffen på. Når bryteren er ute (posisjon 0), er skuffen av.

Disse elementene er synlige kun når skuffen er åpen.

Når skuffen er lukket, viser en kontrollampe foran på apparatet om skuffen er på.

## BRUK

- Legg serviset eller maten i skuffen
- Still inn en temperatur
- Slå apparatet på; bryteren tennes
- Lukk skuffen, mens du styrer den slik at den kommer rett inn
- Slå apparatet av før du tar ut det varme serviset/den varme maten.

# TEMPERATURVALG

Du kan justere temperaturen opp til ca. 75 °C (maks). Vri temperaturbryteren med urviseren til den stopper, dvs. til den høyeste innstillingen, og deretter mot urviseren. Ikke bruk kraft for å vri den lenger, da vil termostaten bli skadet.

Temperaturinnstilling	Instrukser for bruk	
40 °C	kopper, glass	Når kopper og glass varmes opp til denne temperaturen, vil det ta lengre tid før drikken som fylles i dem avkjøles. Bruk hansker for å fjerne beholdere fra skuffen.
60 °C	tallerkener	Når tallerkener varmes opp til denne temperaturen, tar det lengre tid før maten som serveres på dem avkjøles. Bruk hansker for å fjerne beholdere fra skuffen.
MAKS ca. 75 °C	steintøy	Termostaten stilles inn på høyeste temperatur. Bruk hansker for å fjerne beholdere fra skuffen.

## OPPVARMINGSTIDER

Tiden som trengs for å varme opp tallerkener, glass osv. avhenger av flere faktorer:

- Materiale og tykkelse på delene
- Størrelse
- Hvordan det plasseres
- Temperaturinnstilling

Derfor er det ikke mulig å gi nøyaktige indikasjoner.

Det anbefales at du gjør deg kjent med hvilke innstillinger som er optimale basert på egen erfaring

## KAPASITET

Kapasiteten avhenger av høyden på apparatet og størrelsen på servicedelene. Husk at skuffen tåler maksimalt 25 kg.

# RENGJØRING OG VEDLIKEHOLD

**Pass på at apparatet er avkjølt før du utfører vedlikehold eller rengjøring.**

**Ikke bruk damprengjøringsutstyr.**

**Apparatet må alltid frakobles strømmen før du utfører noe vedlikeholdsarbeid.**

**Bruk vernehansker.**

**Ikke bruk stålull, skuresvamper eller slipende/etsende rengjøringsmidler, da disse kan skade apparatets overflate.**

For skuffer som er behandlet med iXelium, gjør følgende:

- Bruk en myk klut (helst mikrofiber) med vann eller vanlig rengjøringsmiddel for glass.
- Ikke bruk tørkepair, siden det kan etterlate rester av papir og riper på overflaten.
- Ikke bruk slipende eller etsende produkter, klorholdige midler eller skuresvamp/stålull.
- Ikke bruk brannfarlig damprenser.
- Ikke la sure eller alkaliske produkter, som for eksempel eddik, sennep, salt, sukker eller sitronsaft, bli liggende på overflaten.

For glassflater, gjør følgende:

- Bruk et nøytralt vaskemiddel og lunkent vann, og tørk deretter av med en myk klut.
- Ikke la sure eller alkaliske produkter, som for eksempel eddik, sennep, salt, sukker eller sitronsaft, bli liggende på overflaten.

## **Skuffebunn av herdet glass**

Det anbefales å rengjøre bunnen av skuffen etter hver gangs bruk, etter at den er avkjølt. Dette vil forhindre at det bygger seg opp smuss og gjøre rengjøringen lettere.

- Bruk en ren klut, tørkepapir, håndoppvaskmiddel eller spesielle produkter for rengjøring av herdet glass.
- Ikke bruk skurende produkter, blekemiddel, ovnspray eller metallskrubber.

# FEILSØKINGSLISTE

**Hvis tallerkenene ikke blir varme, kontroller at:**

- apparatet er slått på
- riktig temperatur er innstilt
- ventilasjonsåpningene ikke er dekket av tallerkener eller store boller
- tallerkenene er varmet opp lenge nok.
- hovedbryteren ikke er slått av.

Ulike faktorer påvirker oppvarmingstiden, for eksempel:

- material og tykkelse på tallerkenene, mengde som er lagt inn og hvordan den er plassert, temperaturinnstilling.
- Den optimale tiden for oppvarming av serviset variere, og vi anbefaler derfor å prøve det ut og finne ut hvilke tider og innstillinger som gir de beste resultatene i henhold til behov.

# ETTERSALGSSERVICE

## **Før du kontakter Ettersalgsservice:**

1. Kontroller om du kan løse problemet selv, på bakgrunn av punktene under «Feilsøkingliste».
2. Slå apparatet av og deretter på igjen for å se om det løser problemet.

## **Før følgende problemer, kontakt en kvalifisert tekniker eller serviceavdelingen:**

### **Hvis serviset ikke blir varmt:**

- Strømkabelen kan være frakoblet eller skadet.

### **Hvis serviset blir for varmt:**

- Temperaturstyringen kan være skadet.

### **Av/på-bryteren viser ikke at apparatet er på:**

- Indikatoren i bryteren er defekt.

### **Hvis feilen vedvarer etter de ovenstående kontrollene, kontakter du nærmeste kundeservice.**

Oppgi alltid:

- en kort beskrivelse av feilen;
- type varmeskuffe og nøyaktig modell
- servicenummeret (nummeret som står etter ordet Service på typeplaten), som er plassert på den høyre utvendige kanten på skuffeskinnen. Servicenummeret vises også i garantiheftet;
- din fulle adresse;
- ditt telefonnummer.

**SERVICE** 00 0000 00000



Hvis det er behov for å reparere apparatet, kontakt et autorisert serviceverksted (for å sikre at det brukes originaldeler og at reparasjonen utføres riktig). Manglende overholdelse av disse instruksene kan få negativ innvirkning på produktets sikkerhet og kvalitet.

# BRUKSANVISNING

	Sida
<b>SÄKERHETSFÖRESKRIFTER</b>	<b>96</b>
<b>INNAN VÄRMELÅDAN ANVÄNDS</b>	<b>99</b>
<b>INSTALLATION</b>	<b>99</b>
<b>ANVÄNDNING AV UGNEN</b>	<b>100</b>
<b>BESKRIVNING AV KONTROLLPANELEN</b>	<b>100</b>
<b>VÄRMELÅDA</b>	<b>100</b>
<b>ANVÄNDNING</b>	<b>100</b>
<b>VAL AV TEMPERATUR</b>	<b>101</b>
<b>UPPVÄRMNINGSTIDER</b>	<b>101</b>
<b>KAPACITET</b>	<b>101</b>
<b>RENGÖRING OCH UNDERHÅLL</b>	<b>102</b>
<b>FELSÖKNING</b>	<b>102</b>
<b>KUNDTJÄNST</b>	<b>103</b>

# SÄKERHETSFÖRESKRIFTER

## VIKTIGT ATT LÄSA OCH RESPEKTERA

Innan du använder apparaten ska du läsa dessa säkerhetsanvisningar. Förvara dem till hands för framtida bruk. I dessa instruktioner och på själva apparaten ges viktiga säkerhetsföreskrifter som alltid måste följas. Tillverkaren fransäger sig allt ansvar för underlåtenhet att följa dessa säkerhetsinstruktioner, för olämplig användning av apparaten eller vid felaktig inställning av kontrollerna.

⚠ Mycket små barn (0-3 år) ska hållas på avstånd från apparaten. Små barn (3-8 år) ska hållas på avstånd från apparaten såvida de inte hålls under konstant uppsikt. Barn från 8 års ålder och personer med nedsatt fysisk, sensorisk eller mental förmåga, eller bristande erfarenhet och kunskap, får endast lov att använda denna apparat om de övervakas eller om de har fått instruktioner om hur apparaten ska användas på ett säkert sätt och förutsatt att de förstår vilka faror det innebär. Barn får inte leka med apparaten. Rengöring och användarunderhåll ska inte utföras av barn utan tillsyn.

⚠ VARNING: Denna produkt och dess åtkomliga delar blir heta

under användning. Var noga med att inte vidröra värmeelementen. Barn under 8 års ålder ska hållas på avstånd förutom om de hålls under ständig tillsyn.

⚠ Lämna aldrig apparaten utan uppsyn då du torkar mat.

⚠ Håll kläder eller andra brännbara material borta från apparaten tills alla komponenter har svalnat helt – risk för brand. Var alltid uppmärksam när du lagar mat som innehåller mycket fett eller olja och vid tillsättning av alkoholhaltiga drycker – risk för brand. Använd handskar för att ta ut kärl och tillbehör. När matlagningen är färdig, öppna luckan försiktigt och låt varm luft eller ånga ta sig ut gradvis innan du sträcker in händerna – risk för brännskador. Täck inte över varmluftsventilerna på framsidan av ugnen – risk för brand.

⚠ Var försiktig när luckan är öppen eller i det nedre läget så att du inte stöter emot luckan.

### TILLÅTEN ANVÄNDNING

⚠ VARNING: Apparaten är inte avsedd att användas med en extern omkopplingsanordning, såsom en timer, eller ett separat fjärrstyrt system.



⚠ Den här apparaten är avsedd för hushållsbruk och liknande typ av användning, som t.ex: i personalrum i butiker, kontor och andra arbetsplatser, fritidshus, eller av kunder på hotell, motell och andra inkvarteringsanläggningar.

⚠ Ingen annan användning är tillåten (t.ex. för att värma rummet).

⚠ Denna apparat är inte avsedd för yrkesmässig användning. Använd inte apparaten utomhus.

⚠ Förvara inte explosiva eller brandfarliga ämnen (t.ex. bensin- eller sprayburkar) inuti eller nära apparaten – risk för brand.

### **INSTALLATION**

⚠ Apparaten ska hanteras och installeras av minst två personer – risk för skada. Använd skyddshandskar för uppackning och installation – risk för skärskada.

⚠ Installationen (inklusive eventuell vattentillförsel och elanslutningar) och reparationer får bara utföras av kvalificerad tekniker. Reparera eller byt inte ut delar på produkten om detta inte direkt anges i bruksanvisningen. Håll barn på säkert avstånd från installationsplatsen. När apparaten har packats upp, kontrollera att den inte har skadats under transporten. Kontakta din återförsäljare eller närmaste kundservice om du upptäcker något problem.

Efter installationen ska förpackningsmaterialet (delar av plast, frigolit osv.) förvaras utom räckhåll för barn – risk för kvävning. Apparaten ska kopplas bort från strömförsörjningen innan någon installationsåtgärd utförs – risk för elchock. Se till att apparaten inte skadar nätkabeln under installationen – risk för brand eller elchock. Aktivera inte apparaten förrän installationen har slutförts.

⚠ Utför alla utskärningar på inbyggnadsmöbeln innan du för in apparaten och avlägsna allt sågspån och sågdamm.

Ta inte ut ugnen från dess polystyrenskum förrän den ska installeras.

⚠ Efter installationen ska apparatens undersida inte längre vara tillgänglig – risk för brännskada.

⚠ Montera inte apparaten bakom en dekorlucka – risk för brand.


### **ELEKTRISKA VARNINGAR**


⚠ Typskylten sitter på framkanten av ugnsutrymmet (syns när luckan är öppen).

⚠ Det måste alltid kunna gå att koppla bort apparaten från elnätet, antingen genom att ta ut stickproppen från eluttaget, om åtkomligt, eller med hjälp av en flerpoleg strömbrytare som installeras föreluttaget i enlighet med kabeldragningsreglerna. Dessutom ska apparaten jordas


i enlighet med nationella elstandarder.


 Använd inte förlängningskablar, grenuttag eller adaptrar. När installationen är klar ska inte användaren kunna få åtkomst till de elektriska komponenterna. Använd inte apparaten om du är våt eller barfota. Använd inte denna apparat om nätkabeln eller stickkontakten är skadad, om den inte fungerar som den ska eller om den har skadats eller fallit ned på golvet.


 Om elsladden är skadad ska den bytas ut mot en likadan av tillverkaren, dess servicepersonal eller liknande kvalificerad tekniker för att undvika fara – risk för elstöt.

 Om strömkabeln behöver bytas ut, kontakta ett auktoriserat servicecenter.


## **RENGÖRING OCH UNDERHÅLL**

 **VARNING:** Försäkra dig om att apparaten är avstängd och bortkopplad från elnätet innan något underhållsarbete påbörjas, Använd aldrig ångtvätt – risk för elstöt.

 Använd inte starka slipande rengöringsmedel eller vassa metallskrapor för att rengöra luckans glas eftersom de kan repa ytan, vilket kan leda till att glaset spricker.


 Setillatt apparaten harsvalnat innan du utför någon form av rengöring eller underhåll. – risk för brännskada.

## **BORTSKAFFANDE AV FÖRPACKNINGSMATERIAL**

Förpackningsmaterialet kan återvinnas till 100 %, vilket framgår av återvinningssymbolen . Därför ska de olika delarna av förpackningen bortskaffas på ett ansvarsfullt sätt och i enlighet med gällande lokala bestämmelser för avfallshantering.

## **KASSERING AV GAMLA HUSHÅLLSAPPARATER**

Denna apparat är tillverkad av material som kan återanvändas eller återvinnas. Kassera den enligt lokala bestämmelser för avfallshantering. För mer information om hantering, återvinning och återanvändning av elektriska hushållsapparater, var god kontakta de lokala myndigheterna, ortens sophanteringstjänst eller butiken där apparaten inhandlades. Denna apparat är märkt i enlighet med direktiv 2012/19/EU om avfall som utgörs av eller innehåller elektrisk och elektronisk utrustning (Waste Electrical and Electronic Equipment, WEEE). Genom att säkerställa att denna produkt kasseras på ett korrekt sätt hjälper du till att förhindra negativa konsekvenser på miljön och människors hälsa.

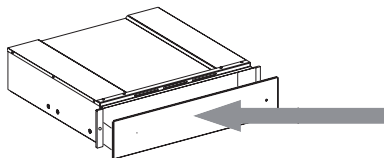
Symbolen  på produkten eller i medföljande dokument anger att denna produkt inte får kasseras som hushållsavfall, utan ska lämnas in till en miljöstation för återvinning av elektrisk och elektronisk utrustning.

# INNAN VÄRMELÅDAN ANVÄNDS

**För att öppna och stänga lådan, tryck på mitten av panelen såsom visas i figuren.**

Rengör produkten på följande sätt när den används första gången:

- Rengör utsidan med en fuktig trasa och torka den sedan.
  - Förvärm tom värmelåda under minst två timmar: Vrid temperaturvredet till max för att eliminera eventuell(a) fettrester, olja eller tillverkningsharts som kan skapa oönskade lukter under uppvärmning av mat. Vädra rummet.
  - När dessa åtgärder är klara kan produkten användas för första gången.
- Före användning, ta bort:
    - Ta bort dekaler som sitter på fronten och på värmelådans lucka, utom typskylten.
    - Håll barn på säkert avstånd från produkten och förpackningsmaterialet så att de inte leker med dem utan tillsyn.
    - Ta bort eventuella dekaler från tillbehör.



## INSTALLATION

### Säkerhetsföreskrifter för installation av värmelådan

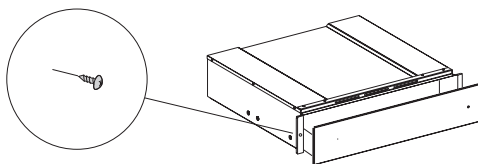
**VIKTIGT: Lådan måste omedelbart fixeras vid köksskåpet enligt följande instruktioner. Den kopplade produkten kan inte installeras förrän lådan har fixerats vid köksskåpet.**

**Fixera lådan såsom visas i figuren.**

Före den elektriska anslutningen av produkten, kontrollera att elnätet överensstämmer med uppgifterna på lådans typskylt, annars kan produkten skadas.

Se till att anslutningen till elnätet är lätt att komma åt när produkten har installerats. Värmelådan kan endast byggas in tillsammans med andra apparater som väger max. 60 kg och som är utrustade med adekvat kylningsventilation. För att installera produkten som kan kombineras med värmelådan, följ instruktionerna i relevant användar- och installationshandbok.

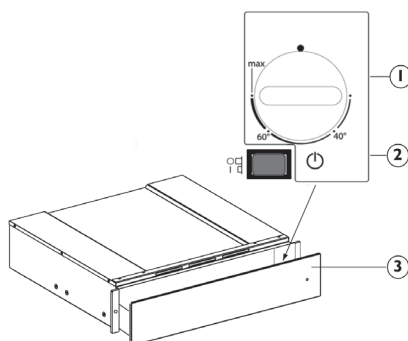
**Viktig:** Kaffebryggare eller kombimikrougn av samma fabrikat, se storlek på nästa sida, kan installeras ovanför värmelådan. För installation, följ noga anvisningarna i instruktionsböckerna som medföljer kaffebryggaren och den kombinerade mikrovågsugnen.



# ANVÄNDNING AV UGNEN

## BESKRIVNING AV KONTROLLPANELEN

1. Temperaturratt
2. Strömbrytare PÅ/AV med lampa
3. PÅ/AV-indikator



## VÄRMELÅDA

Kontrollreglagen utgörs av temperaturratten och strömbrytaren PÅ/AV med inbyggd lampa.

Med strömbrytaren intryckt (position 1) är lådan påslagen. Med strömbrytaren i frigjort läge (position 0) är lådan avstängd.

Dessa reglage syns endast när lådan är öppen.

När lådan är stängd indikerar en kontrollampa på produktens front om lådan är påslagen.

## ANVÄNDNING

- Placera porslinet i lådan
- Ställ in en temperatur
- Slå på apparaten; brytaren lyser upp
- Stäng lådan försiktigt
- Stäng av produkten innan du tar ut det uppvärmda porslinet.

# VAL AV TEMPERATUR

Temperaturratten medger inställningar upp till cirka 75 °C (max). Vrid temperaturratten medurs till stoppet, vilket indikerar maximal inställning, och sedan moturs.

Forcera inte förbi stoppläget eftersom termostaten annars kan skadas.

Temperaturjustering	Bruksanvisning	
40 °C	koppar, glas	Koppar och glas uppvärmda till denna temperatur bidrar till att fördröja avkylningstiden hos drycker som tillsätts. Använd handskar för att ta kärl ur lådan.
60 °C	tallrikar	Tallrikar uppvärmda till denna temperatur bidrar till att fördröja avkylningstiden hos mat som placeras på dem. Använd handskar för att ta kärl ur lådan.
MAX cirka 75 °C	porcelain	Termostaten är inställd på den maximala temperaturen. Använd handskar för att ta kärl ur lådan.

## UPPVÄRMNINGSTIDER

Tiden som krävs för att värma upp porslin, glas och annat beror på olika faktorer:

- Material och tjocklek på porslinet
- Mängd
- Föremålets placering
- Temperaturinställning

Direkta anvisningar kan därför inte ges.

Det är tillrådligt att fastställa de optimala inställningarna som krävs baserat på praktisk erfarenhet

## KAPACITET

Lastkapaciteten beror på produktens höjd och porslinets storlek.

Kom ihåg att lådan håller för en maximal vikt på 25 kg.

# RENGÖRING OCH UNDERHÅLL

**Se till att apparaten har svalnat innan du utför underhåll eller rengöring. Använd inte ångtvätt. Apparaten måste kopplas bort från elnätet innan du utför någon form av underhållsarbete.**

**Ha på dig skyddshandskar. Använd inte stålull, slipsvampar eller slipande/frätande rengöringsmedel, eftersom dessa kan skada apparatens ytor.**

För lådor med iXelium-behandling, gör på följande sätt:

- Använd en mjuk trasa (helst mikrofiber) med vatten eller ett vanligt glasrengöringsmedel.
- Använd inte pappershanddukar: de kan lämna spår av papper och ränder på ytan.
- Använd inte slipande eller frätande produkter, klorbaserade rengöringsmedel eller skursvampar.
- Använd inte brandfarliga ångrengörare.
- Låt inte sura eller alkaliska ämnen, t.ex. vinäger, senap, salt, socker eller citronjuice, vara kvar på ytan.

För glasytor, gör på följande sätt:

- Använd ett neutralt rengöringsmedel och ljummet vatten och torka sedan med en mjuk trasa.
- Låt inte sura eller alkaliska ämnen, t.ex. vinäger, senap, salt, socker eller citronjuice, vara kvar på ytan.

## **Härdad glaslådebas**

Lådans botten bör rengöras efter varje användning. Var noga med att låta den kallna. Det förhindrar att smutsen ansamlas och underlättar rengöringen.

- Använd en ren trasa eller hushållspapper och flytande rengöringsmedel eller ett specialmedel för att rengöra det härdade glaset.
- Använd inte slipmedel, blekmedel, ugnrensningsspray eller metalliska skursvampar.

# FELSÖKNING

**Om porslinet inte är tillräckligt varmt, kontrollera att:**

- produkten är påslagen
- korrekt temperatur har ställts in
- ventilationsöppningar inte är blockerade av tallrikar eller stora skålar
- porslinet har värmts upp tillräckligt länge.
- huvudströmbrytaren inte är frånslagen.

Olika faktorer påverkar

uppvärmningstiden, till exempel:

- Material och tjocklek på porslinet, mängden porslin och hur det placeras samt temperaturinställning.
- De optimala tiderna för uppvärmning av porslin varierar. Det är därför lämpligt att utföra tester för att fastställa lämpliga tider för dina behov.

# KUNDTJÄNST

## **Innan du kontaktar Kundtjänsten:**

1. Försök att åtgärda felet på egen hand med hjälp av kapitlet "Felsökning".
2. Stäng av och sätt på produkten igen för att se om problemet har löst sig.

## **För följande problem, kontakta en kvalificerad tekniker eller Kundservice:**

### **Om porslinet inte blir varmt:**

- nätkabeln kan vara fränkopplad eller skadad.

### **Om porslinet blir för varmt:**

- temperaturregulatorn kan vara defekt.

### **På/Av-strömbrytaren aktiveras inte när produkten sätts på:**

- strömbrytarens indikator är defekt.

### **Om problemet kvarstår efter dessa kontroller bör du kontakta närmaste kundtjänst.**

Uppge alltid följande uppgifter:

- en kort beskrivning av felet
- värmelådans typ- och modellbeteckning,
- servicenumret (numret efter ordet Service på typskylten) som sitter på ytterkanten av lådans högra skena. Servicenumret anges även i garantihäftet.
- hela din adress;
- ditt telefonnummer.

**SERVICE** 00 0000 00000



Om du behöver utföra någon reparation, kontakta en auktoriserad Kundservice (för att se till att originalreservdelar används och att reparationen blir korrekt utförd). Underlåtelse att följa dessa instruktioner kan äventyra produktens säkerhet och kvalitet.

# تعليمات الاستعمال

	صفحة
105	تعليمات السلامة
108	قبل استخدام درج التسخين
108	التركيب
109	كيفية استخدام المنتج
109	وصف لوحة التحكم
109	درج التسخين
109	التشغيل
110	اختيار درجة الحرارة
110	أزمنة التسخين
110	سعة التحميل
111	التنظيف والصيانة
111	دليل التغلب على الأعطال
112	خدمة ما بعد البيع



الكحوليات - خطر الحريق. استخدم قفازات الفرن لإخراج الأواني والكماليات. بعد انتهاء الطهي، افتح الباب بحذر، لإتاحة خروج الهواء أو البخار الساخن تدريجياً قبل إدخال يدك في تجويف الفرن - خطر التعرض لحروق. احرص على عدم انسداد فتحات الهواء الساخن بمقدمة الجهاز - خطر نشوب حرائق.

⚠️ توخ الحذر عندما يكون الجهاز مفتوحاً أو في وضع منخفض، لتجنب اصطدام الباب.

### الاستخدام المسموح به

⚠️ تنبيه: الجهاز غير مخصص للاستخدام عن طريق جهاز تشغيل خارجي مثل مؤقت خارجي أو نظام تشغيل عن بعد مستقل.

⚠️ هذا الجهاز مخصص للاستخدام في الأغراض المنزلية وما شابهها مثل: منطقة المطبخ في المحلات والمكاتب وبيئات العمل الأخرى، البيوت الريفية، ومن قبل نزلاء الفنادق والموتيلات والفنادق الصغيرة والبيئات الأخرى ذات الطابع السكني.

⚠️ ولا يُسمح باستخدامه في أي أغراض أخرى (مثلاً: تدفئة الغرف).

⚠️ هذا الجهاز غير مخصص للاستخدام التجاري. لا تستخدم الجهاز في الهواء الطلق.

⚠️ لا تقم بتخزين مواد قابلة للانفجار أو الاشتعال مثل البنزين أو عبوات الأيروسول داخل أو بالقرب من الجهاز - خطر نشوب حرائق.

### التركيب

⚠️ يجب نقل الجهاز وتركيبه بواسطة شخصين أو أكثر - خطر الإصابة. استخدم قفازات واقية لإخراج الجهاز من العبوة ولتركيبه - خطر الإصابة بجروح قطعية.

⚠️ يجب إجراء عمليات التركيب بما فيها الإمداد بالماء (إذا كان موجوداً) والتوصيلات

اقرأ تعليمات السلامة هذه قبل استخدام الجهاز. واحتفظ بها في مكان قريب للرجوع إليها مستقبلاً.

تقدم هذه التعليمات والجهاز نفسه تحذيرات هامة خاصة بالسلامة يجب مراعاتها في جميع الأوقات. لا تتحمل الجهة الصانعة أي مسؤولية ناجمة عن عدم مراعاة تعليمات السلامة هذه، أو استخدام الجهاز بطريقة غير سليمة، أو ضبط عناصر التحكم بطريقة غير صحيحة.

⚠️ يجب إبقاء الأطفال الصغار (0-3 سنوات) بعيداً عن الجهاز. يجب إبقاء الأطفال (3-8 سنوات) بعيداً عن الجهاز إلا في حالة الإشراف المستمر عليهم. يمكن استخدام هذا الجهاز من قبل الأطفال بدءاً من عمر 8 سنوات فأكثر والأشخاص الذين يعانون من نقص في القدرات البدنية أو الحسية أو العقلية أو الأشخاص الذين يفتقرون إلى الخبرة والمعرفة، شريطة أن يتم مراقبتهم أو توجيههم إلى كيفية استخدام الجهاز بطريقة آمنة واستيعابهم للأخطار التي ينطوي عليها ذلك. يجب ألا يعيثر الأطفال بهذا الجهاز. يحظر على الأطفال تنظيف الجهاز وصيانته دون إشراف.

⚠️ تحذير: يسخن الجهاز وأجزاؤه التي يمكن الوصول إليها أثناء الاستخدام. يجب توخي الانتباه لتجنب ملامسة العناصر الساخنة. يجب إبعاد الأطفال دون سن 8 سنوات إلا إذا كانت هناك ملاحظة وإشراف دائم عليهم.

⚠️ لا تترك الجهاز أبداً دون مراقبة أثناء تحفيف الطعام.

⚠️ احتفظ بالملابس والمواد الأخرى القابلة للاشتعال بعيداً عن الجهاز إلى أن تبرد جميع الأجزاء تماماً - خطر نشوب حرائق. توخ الحذر دائماً عند طهي أطعمة غنية بالدهون أو الزيت أو عند إضافة المشروبات

تكون الأجزاء الكهربائية في متناول المستخدم بعد التركيب. لا تستخدم الجهاز وأنت مبلل أو حاف القدمين. لا تقم بتشغيل هذا الجهاز إذا كان هناك تلف في كابل أو قابس الكهرباء، أو إذا لم يكن يعمل بشكل سليم، أو إذا كان تالفاً، أو إذا سقط على الأرض.

⚠ إذا لحق أي تلف بسلك التوصيل يجب استبداله عن طريق جهة الصنع أو وكيل الصيانة التابع لها أو أي شخص مؤهل بنفس الدرجة وذلك لتجنب المخاطر - خطر التعرض لصدمة كهربائية.

⚠ في حالة استبدال كابل الكهرباء اتصل بمركز خدمة معتمد.

#### التنظيف والصيانة

⚠ تحذير: تأكد من إيقاف الجهاز ومن فصله عن مصدر الكهرباء قبل إجراء أية أعمال صيانة، لا تستخدم أبداً أجهزة التنظيف بالبخار - خطر الصعق الكهربائي.

⚠ لا تستخدم مواد التنظيف الكاشطة الخشنة أو المكاشط المعدنية لتنظيف اللوح الزجاجي لباب الفرن، نظراً لأنها قد تؤدي إلى خدش سطح هذا اللوح، مما يؤدي إلى تحطم الزجاج.

⚠ تحقق من برودة الفرن قبل البدء في أعمال التنظيف أو الصيانة - خطر الإصابة بحروق. - خطر الإصابة بحروق.

الكهربائية والإصلاح بواسطة فني مؤهل. لا تقم بإصلاح أو استبدال أي جزء من أجزاء الجهاز ما لم ينص على ذلك بصفة خاصة في دليل الاستخدام. أبعد الأطفال عن موقع التركيب. بعد إخراج الجهاز من عبوته، تحقق من عدم تضرره أثناء النقل. في حالة وجود مشاكل، اتصل بالوكيل أو أقرب مركز لخدمة ما بعد البيع. بعد الانتهاء من أعمال التركيب، يجب تخزين مخلفات التغليف (البلاستيك وقطع الستايروفوم إلخ) بعيداً عن متناول الأطفال - خطر الاحتراق. يجب فصل الجهاز عن مصدر الكهرباء قبل التركيب - خطر التعرض لصدمة كهربائية. أثناء التركيب، تحقق من عدم تلف كابل الكهرباء الخاص بالجهاز - خطر الحريق أو صاعقة كهربائية. لا تقم بتشغيل الجهاز إلا بعد اكتمال إجراءات التركيب.

⚠ قم بتنفيذ جميع أعمال قطع الخزانة قبل تركيب الجهاز في المبيت وتخلص بعناية من جميع الرقائق الخشبية ونشارة الخشب. لا تخرج الجهاز من قاعدته المصنوعة من فوم البوليسترين إلا وقت التركيب.

⚠ واحرص بعد التركيب، على ألا توجد إمكانية للوصول إلى قاعدة الجهاز - خطر الإصابة بحروق.

⚠ لا تقم بتركيب الجهاز خلف باب به عناصر ديكورية - خطر نشوب حرائق.


#### التحذيرات الكهربائية

⚠ وتوجد لوحة الصنع على الحافة الأمامية للفرن (يمكن رؤيتها عندما يكون الباب مفتوحاً).

⚠ يجب إتاحة إمكانية فصل الجهاز من مصدر الكهرباء من خلال نزع القابس إن أمكن الوصول إليه، أو باستخدام مفتاح متعدد الأقطاب ومركب عند المقبس بالتوافق مع قواعد التوصيل، ويجب أن يكون الجهاز مؤرضاً، بالتوافق مع مواصفات الأمان الكهربائية المحلية.


⚠ لا تستخدم أسلاك التمديد، أو المقابس متعددة التوصيلات أو المهائبات. يجب ألا

## التخلص من مواد التغليف

مواد التغليف قابلة لإعادة التدوير 100%، كما أنها تحمل رمز إعادة التدوير . لذا، يجب التخلص من أجزاء التغليف المختلفة بطريقة مسؤولة وبالتوافق التام مع تشريعات السلطات المحلية بخصوص التخلص من النفايات.

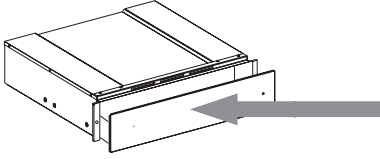
## تجهيز الأجهزة المنزلية

تم تصنيع هذا الجهاز باستخدام مواد قابلة لإعادة التدوير أو إعادة الاستخدام. تخلص منه وفقا للوائح المحلية الخاصة بالتخلص من المخلفات. لمزيد من المعلومات حول المعالجة والاسترداد وإعادة التدوير للأجهزة الكهربائية المنزلية، اتصل بالجهة المحلية المختصة أو خدمة جمع النفايات المنزلية أو المتجر الذي اشتريته منه الجهاز. هذا الجهاز مميز حسب المواصفة الأوروبية 2012/19/EU، الأجهزة الكهربائية والإلكترونية القديمة (WEEE). من خلال التأكد من التخلص من هذا المنتج بالطريقة الصحيحة سوف تساعد في منع النتائج السلبية على البيئة وصحة الإنسان.

يشير الرمز  الموجود على المنتج أو على المستندات المرافقة للمنتج إلى أنه لا ينبغي التعامل مع هذا المنتج على أنه من المخلفات المنزلية، ولكن يجب تسليمه إلى مركز تجميع ملائم لإعادة تدوير الأجهزة الكهربائية والإلكترونية.

## قبل استخدام درج التسخين

افتح وأغلق الدرج، ادفع منتصف اللوح كما هو موضح في الشكل.



عند الاستخدام الأول، نظف الجهاز على النحو التالي:

- نظف السطح بقطعة قماش رطبة ثم جففه.
- قم بإحماء الدرج الفارغ لمدة ساعتين على الأقل: أدر مفتاح درجة الحرارة إلى الحد الأقصى لإزالة أي بقايا من الدهون أو الزيت أو راتنجيات ناتجة عن عملية التصنيع التي يمكن أن تخلق روائح غير مستحبة أثناء تسخين الأطباق. قم بتهوية الغرفة.
- بعد الانتهاء من هذه العمليات، يكون الجهاز جاهزاً للاستخدام الأول.

• قبل الاستخدام، قم بإزالة:

- ملصقات توضع على الواجهة وباب درج التسخين، ما عدا لوحة المعلومات الفنية؛
- حافظ على الأطفال بعيداً عن المنتج ومواد التعبئة والتغليف، وتجنب التفاعل معهم، إلا تحت إشراف سليم؛
- أية ملصقات من الملحقات حال وجودها.

## التركيب

إرشادات السلامة لتركيب درج التسخين

هام: يجب فوراً تركيب الدرج في الكابينة، باتباع الإرشادات الواردة أدناه. لا يمكن تثبيت الجهاز المقترن قبل تثبيت الدرج إلى الكابينة.

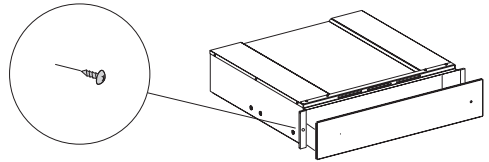
ثبت الدرج كما هو موضح في الشكل.

قبل توصيل الجهاز بالكهرباء، تأكد من تطابق بيانات لوحة المواصفات بتوصيلات الإمداد بالطاقة، وإلا فقد يتلف الجهاز.

تأكد من أن توصيلات وحدة الإمداد بالطاقة سهلة الوصول إليها بسهولة بعد أن يتم تركيب الجهاز.

يمكن تركيب درج التسخين مع الأجهزة التي يصل وزنها بحدده أقصى إلى 60 كجم فقط ومزود بتهوية تبريد مناسبة. لتثبيت الجهاز الذي يمكن أن يشارك معه سخان الصحون اتبع التعليمات الواردة في كتيب الاستخدام والتثبيت ذات الصلة.

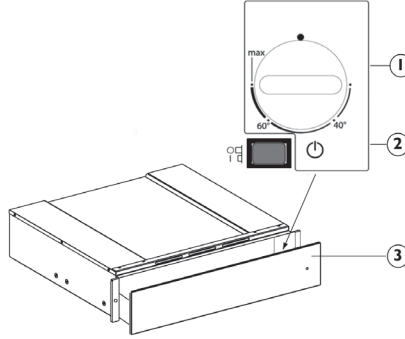
هام: نفس ماركة ماكينة القهوة أو فرن ميكروويف كومبي، بالحجم المبين في الصفحة التالية، يمكن تركيبها فوق سخان الصحون. للتثبيت، اتبع بعناية الإرشادات الواردة في كتيبات التعليمات المتوفرة مع ماكينة القهوة وفرن ميكروويف كومبي.



# كيفية استخدام المنتج

## وصف لوحة التحكم

1. مقبض درجة الحرارة
2. مفتاح تشغيل - إطفاء مضيء
3. مؤشر تشغيل - إطفاء



## درج التسخين

عناصر التحكم هي مفتاح درجة الحرارة ومفتاح تشغيل - إطفاء مضيء. بالضغط على مفتاح التشغيل (الوضع 1)، يصبح الدرج مفتوحاً، وعند إفلات المفتاح (الوضع 0)، ينطفئ الدرج. تكون هذه العناصر مرئية فقط عند فتح الدرج. عندما يتم إغلاق الدرج، يشير ضوء عنصر التحكم الموجود على الجانب الأمامي للجهاز إلى أن الدرج مفتوح.

## التشغيل

- ضع الصحون في الدرج
- اضبط درجة الحرارة
- قم بتشغيل الجهاز، وسيضيء المفتاح
- قم بإغلاق الدرج، بتوجيهه بعناية
- أطفئ الجهاز قبل إزالة الصحون التي تم تسخينها.

## اختيار درجة الحرارة

يسمح مفتاح التحكم في درجة الحرارة بالتعديلات إلى ما يقارب 75 درجة مئوية (كحد أقصى). لف مفتاح درجة الحرارة في اتجاه عقارب الساعة حتى التوقف الذي يشير إلى الحد الأقصى، وبعد ذلك بعكس اتجاه عقارب الساعة. لا تجبر المفتاح على الحركة بعد التوقف، خلاف ذلك سوف يتلف الثرموستات.

دليل الاستعمال		ضبط درجة الحرارة
الأكواب والكؤوس الزجاجية المسخنة في درجة الحرارة هذه تساعد على تأخير زمن تبريد المشروبات التي تضاف في وقت لاحق. استخدم قفازات لخلع الحاويات من الدرج.	الأكواب، الزجاج	40 °م
الأطباق المسخنة في درجة الحرارة هذه تساعد على تأخير زمن تبريد الطعام الذي يضاف إليها في وقت لاحق. استخدم قفازات لخلع الحاويات من الدرج.	أطباق	60 °م
يتم تعيين الثرموستات على درجة الحرارة القصوى. استخدم قفازات لخلع الحاويات من الدرج.	الأواني الفخارية	حد أقصى 75 درجة مئوية تقريبا

## أزمنة التسخين

الوقت المطلوب لتسخين الصحن، والكؤوس، وما إلى ذلك، يعتمد على عوامل مختلفة:

- مواد وسمك الصحن
- التحميل
- ترتيب وضع الحمولة
- تعيين درجة الحرارة

ولذلك لا يمكن إعطاء مؤشرات مطلقة.

ومن المستحسن إنشاء إعدادات مثلى استناداً إلى الخبرة العملية

## سعة التحميل

تعتمد سعة التحميل على ارتفاع الجهاز ومقاس الصحن. تذكر أن الدرج يمكن أن يستوعب وزن 25 كجم على الأقصى.

# التنظيف والصيانة

تأكد أن الجهاز بارد تماما قبل القيام بأية أعمال متعلقة بالصيانة أو التنظيف.  
لا تستخدم أبدا أجهزة تنظيف البخار.  
يجب فصل الجهاز عن مصدر الإمداد بالكهرباء قبل القيام بأية أعمال متعلقة بالصيانة.

قم بارتداء قفازات واقية.  
لا تستخدم ألياف سلكية، مساحيق كاشطة أو منظفات مزيلة/أكالة، لأنها قد تعرض أسطح الجهاز للضرر.

للأدراج المعالجة بالإيكسيليوم، تصرف على النحو التالي:

- استخدام منظفات محايدة وماء فاتر، ثم جفف بقطعة قماش ناعمة.
- لا تترك مواد حمضية أو قلوية، كالخل أو المستردة أو الملح أو السكر أو عصير الليمون على السطح.

- استخدم قطعة قماش ناعمة (الألياف الدقيقة هي الأفضل) مع الماء أو مع منظف الزجاج اليومي.
- لا تستخدم ورق المطبخ لأنه قد يترك بقايا ورق وخطوطاً على الموقد.
- لا تستخدم منتجات خادشة أو أكالة أو منظفات الكلور أو منظفات الأواني المصنوعة من المعدن.
- لا تستخدم أدوات تنظيف البخار القابل للاشتعال.
- لا تترك مواد حمضية أو قلوية، كالخل أو المستردة أو الملح أو السكر أو عصير الليمون على السطح.

## قاعدة درج من الزجاج المقوى

- من المستحسن تنظيف الجزء السفلي من الدرج بعد كل استخدام، مع التأكد من أنك تركته ليبرد. حيث يمنع ذلك تكون الاتساخات ويجعل عملية التنظيف أكثر سهولة.
- استخدم قطعة قماش نظيفة ومناشف ورقية ومنتجات الغسيل السائلة، أو منتجات متخصصة لتنظيف الزجاج المقوى.
- لا تستخدم المنتجات الكاشطة أو المبيضة، أو بخاخ منظف الفرن أو مواد الجلي المعدنية.

## دليل التغلب على الأعطال

- إذا كانت الصحون غير ساخنة بما يكفي، تحقق من أن: هذا الجهاز تم تشغيله
- تم تحديد درجة الحرارة الصحيحة
- فتحات التهوية لا تغطيها الألواح أو الأوعية الكبيرة
- لم يتم تسخين الأطباق لفترة كافية.
- لم يتم غلق أو إطفاء مفتاح التيار الكهربائي.

- تؤثر عوامل مختلفة على زمن التسخين، على سبيل المثال:
- خامات الصحون وسمكها وحمولتها ووضعها
- درجة الحرارة المهيأة.
- الأوقات المثلى لتسخين الصحون تختلف، ولذلك فمن المستحسن القيام باختبارات لتحديد وقتها للاحتياجات.

## خدمة ما بعد البيع

قبل الاتصال بمركز خدمة ما بعد البيع:

1. راجع ما إذا كان بمقدورك حل المشكلة بنفسك باستخدام "دليل التغلب على الأعطال".
2. قم بإطفاء وإعادة تشغيل الجهاز لتقصي إذا ما كانت المشكلة قد تم حلها.

للمشاكل التالية، اتصل بفني مؤهل أو "خدمة ما بعد البيع":

إذا تطلب الأمر تصليح للجهاز، يرجى الاتصال بمركز خدمة ما بعد البيع المرخص (لضمان استعمال قطع الغيار الأصلية والتصليح بصورة صحيحة). عدم الالتزام بهذه التعليمات قد يؤثر سلباً على سلامة وجودة المنتج.

إذا لم يتم تسخين الصحون:

- قد يكون التوصيل الكهربائي مقطوعاً أو تالفاً.

إذا أصبحت الصحون ساخنة جداً:

- وحدة التحكم بدرجة الحرارة يمكن أن يكون بها خلل.

مفتاح تشغيل/إيقاف لا يعمل عند بدء إدارة الجهاز:

- يوجد خلل في مؤشر التحكم في المفتاح.

إذا استمر العطل بعد القيام بالفحوصات المذكورة أعلاه، فاتصل بأقرب مركز لخدمة ما بعد البيع.

احرص دائماً على ذكر:

- وصف مختصر للعطل،
- نوع وموديل درج التسخين بدقة؛
- رقم الخدمة (الرقم الموجود بعد كلمة Service على لوحة الخصائص)، موجودة على الحافة اليمنى الخارجية من مجرى الدرج. يوجد رقم الخدمة أيضاً في كتيب الضمان،
- عنوانك بالكامل،
- رقم هاتفك.

**SERVICE** 00 0000 00000











**400011569854**

