



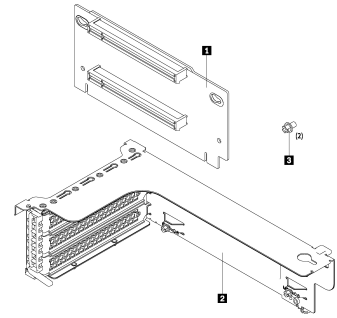
## Lenovo ThinkSystem SR550/SR590/SR650 x16/x8 PCIe FH Riser 1 Kit Kit di montaggio

**Marchio** : Lenovo

**Codice prodotto**: 7XH7A02678

**Nome del prodotto** : ThinkSystem SR550/SR590/SR650 x16/x8 PCIe FH Riser 1 Kit

Lenovo ThinkSystem SR550/SR590/SR650 x16/x8 PCIe FH Riser 1 Kit. Tipo: Kit di montaggio, Compatibilità: ThinkSystem SR550/SR590/SR650. Connettore: x16/x8 PCIe. Tipo di vite: M3.5



Caratteristiche		Contenuto dell'imballo	
Tipo *	Kit di montaggio	Viti incluse	✓
Compatibilità	ThinkSystem SR550/SR590/SR650	Tipo di vite	M3.5
<b>Connettività</b>		Numero di viti	2
Connettore	x16/x8 PCIe	<b>Dati logistici</b>	
<b>Contenuto dell'imballo</b>		Codice del Sistema Armonizzato (SA)	85389099
Kit di montaggio	✓		



0889488433216



889488433216

Disclaimer. The information published here (the "Information") is based on sources that can be considered reliable, typically the manufacturer, but this Information is provided "AS IS" and without guarantee of correctness or completeness. The Information is only indicative and can be changed at any time without notification. No rights can be based on the Information. Suppliers or aggregators of this Information do not accept any liability with regard to the content of (web)pages and other documents, including its Information. The publisher of the Information can not be held liable for the content of 3rd party websites that are linking this Information or are linked to from this Information. You as the User of the Information are solely responsible for the choice and usage of this Information. You are not entitled to transfer, copy or otherwise multiply or distribute the Information. You are obliged to follow the directions of the copyright owner(s) with regard to the use of the Information. Exclusively Dutch law is applicable. With regard to price and stock data on the site, the publisher followed a number of starting points, which are not necessarily relevant for your private or business circumstances. Therefore, the price and stock data are only indicative and are subject to changes. You are personally responsible for the way you use and apply this information. As a user of the Information or sites or documents in which this Information is included, you will adhere to standard fair use including avoidance of spamming, ripping, intellectual-property violations, privacy violations, and any other illegal activity.