

Dreame R10 Cordless Stick Vacuum User Manual

THANK YOU

FOR PURCHASING THIS DREAME VACUUM CLEANER.

Registration Quick Start

Welcome to register a Dreame account by scanning the QR code.

You are available for the User Manual and Special Offers.



With it you are obtaining a high quality product that is engineered for optimal performance. If you have any questions on the product, please contact us: support.us@dreame.tech.

EN	User Manual	1
FR	Manuel d'utilisation	23
ES	Manual de Usuario	45

Safety Information

IMPORTANT SAFETY INSTRUCTIONS

When using an electrical appliance, basic precautions should always be followed, including the following:

READ ALL INSTRUCTIONS BEFORE USING (THIS APPLIANCE). Failure to follow the warnings and instructions may result in electric shock, fire and/or serious injury.

SAVE THESE INSTRUCTIONS

Household use only.

WARNING - To reduce the risk of fire, electric shock, or injury:

Do not use outdoors or on wet surfaces.

Do not allow to be used as a toy. Close attention is necessary when used by or near children, pets or plants.

Use only as described in this manual. Use only manufacturer's recommended attachments

Do not use with damaged cord or plug. If appliance is not working as it should, has been dropped, damaged, left outdoors, or dropped into water, return it to a service center.

Do not pull or carry by cord, use cord as a handle, close a door on cord, or pull cord around sharp edges or corners. Do not run appliance over cord. Keep cord away from heated surfaces.

Do not unplug by pulling on cord. To unplug, grasp the plug, not the cord.

Do not handle charger, including charger plug, and charger terminals with wet hands

Do not put any object into openings. Do not use with any opening blocked; keep free of dust, lint, hair, and anything that may reduce air flow.

Keep hair, loose clothing, fingers, and all parts of body away from openings and moving parts.

Use extra care when cleaning on stairs.

Do not use to pick up flammable or combustible liquids, such as gasoline, or use in areas where they may be present.

Do not pick up anything that is burning or smoking, such as cigarettes, matches, or hot ashes.

Do not use without dust cup and/or filters in place.

Prevent unintentional starting. Ensure the switch is in the off-position before connecting to battery pack, picking up or carrying the appliance. Carrying the appliance with your finger on the switch or energizing appliance that have the switch on invites accidents.

Disconnect the battery pack from the appliance before making any adjustments, changing accessories, or storing appliance. Such preventive safety measures reduce the risk of starting the appliance accidentally.

Recharge only with the charger specified by the manufacturer. A charger that is suitable for one type of battery pack may create a risk of fire when used with another battery pack.

Use appliances only with specifically designated battery packs. Use of any other battery packs may create a risk of injury and fire.

When battery pack is not in use, keep it away from other metal objects, like paper clips, coins, keys, nails, screws or other small metal objects, that can make a connection from one terminal to another.

Shorting the battery terminals together may cause burns or a fire.

Under abusive conditions, liquid may be ejected from the battery; avoid contact. If contact accidentally occurs, flush with water. If liquid contacts eyes, additionally seek medical help. Liquid ejected from the battery may cause irritation or burns.

Do not use a battery pack or appliance that is damaged or modified. Damaged or modified batteries may exhibit unpredictable behavior resulting in fire, explosion or risk of injury.

Do not expose a battery pack or appliance to fire or excessive temperature. Exposure to fire or temperature above 130°C may cause explosion.

Follow all charging instructions and do not charge the battery pack or appliance outside of the temperature range specified in the instructions. Charging improperly or at temperatures outside of the specified range may damage the battery and increase the risk of fire.

Have servicing performed by a qualified repair person using only identical replacement parts. This will ensure that the safety of the product is maintained.

Do not modify or attempt to repair the appliance or the battery pack except as indicated in the instructions for use and care.

Do not use and store in extremely hot or cold environments (below 0°C/32°F or above 40°C/104°F). Please charge the cordless vacuum cleaner in temperature above 0°C/32°F and below 40°C/104°F.

Caution:

This device complies with Part 15 of the FCC Rules / Innovation, Science and Economic Development Canada's licence-exempt RSS(s). Operation is subject to the following two conditions:

1. this device may not cause harmful interference.
2. this device must accept any interference received, including interference that may cause undesired operation.

Changes or modifications not expressly approved by the party responsible for compliance could void the user's authority to operate the equipment.

This equipment has been tested and found to comply with the limits for a Class B digital device, pursuant to part 15 of the FCC Rules.

These limits are designed to provide reasonable protection against harmful interference in a residential installation.

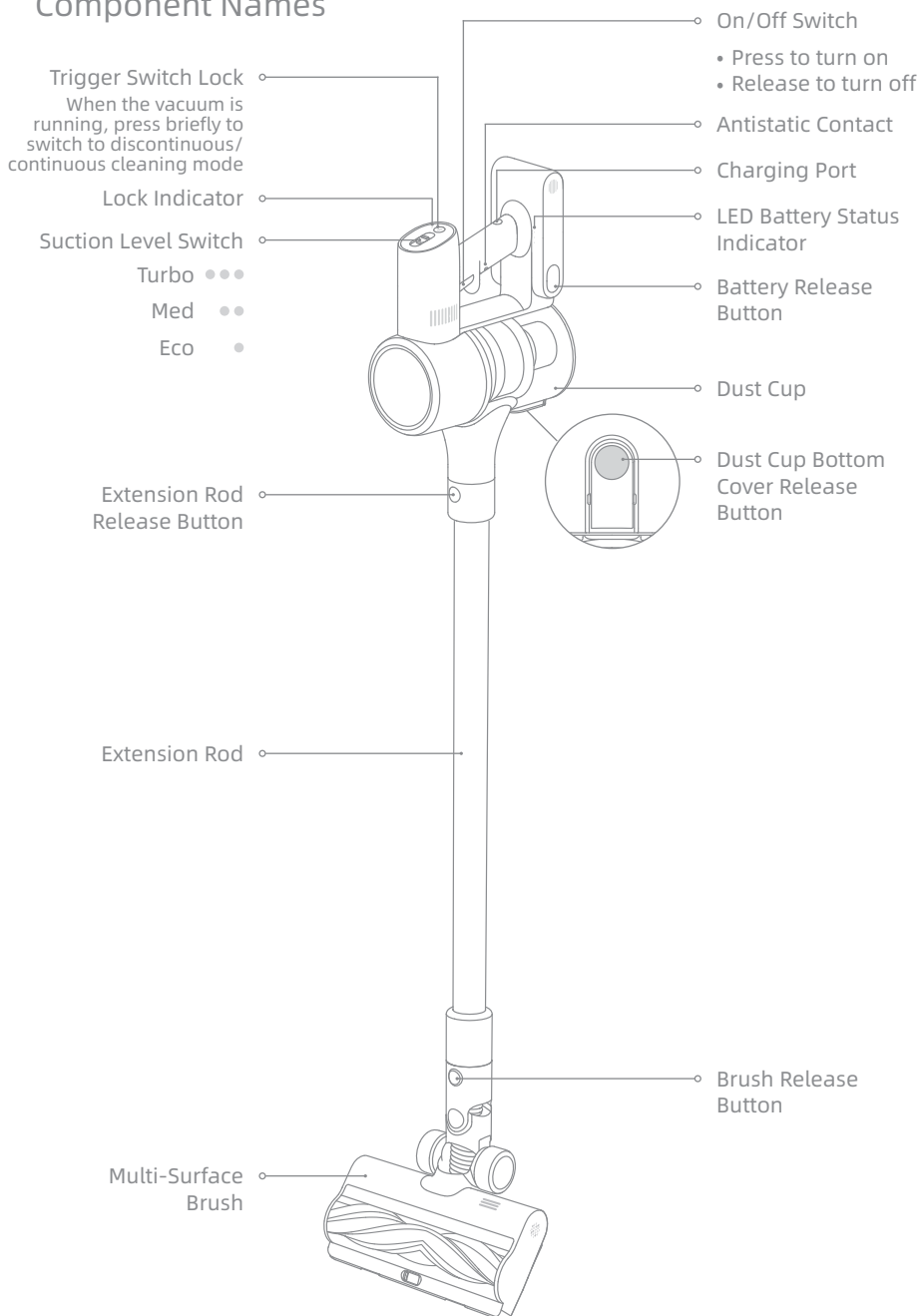
This equipment generates uses and can radiate radio frequency energy and, if not installed and used in accordance with the instructions, may cause harmful interference to radio communications. However, there is no guarantee that interference will not occur in a particular installation.

If this equipment does cause harmful interference to radio or television reception, which can be determined by turning the equipment off and on, the user is encouraged to try to correct the interference by one or more of the following.

===	Direct current
~	Alternating current

Product Overview

Component Names



Product Overview

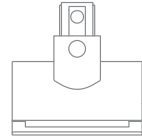
Accessories



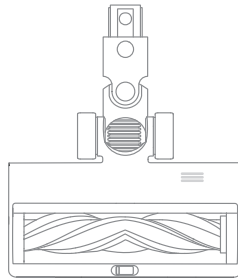
Extension Rod



Wide Combination Tool



Motorized Mini-Brush



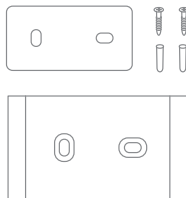
Multi-Surface Brush



Flexible Combination Tool



Charger

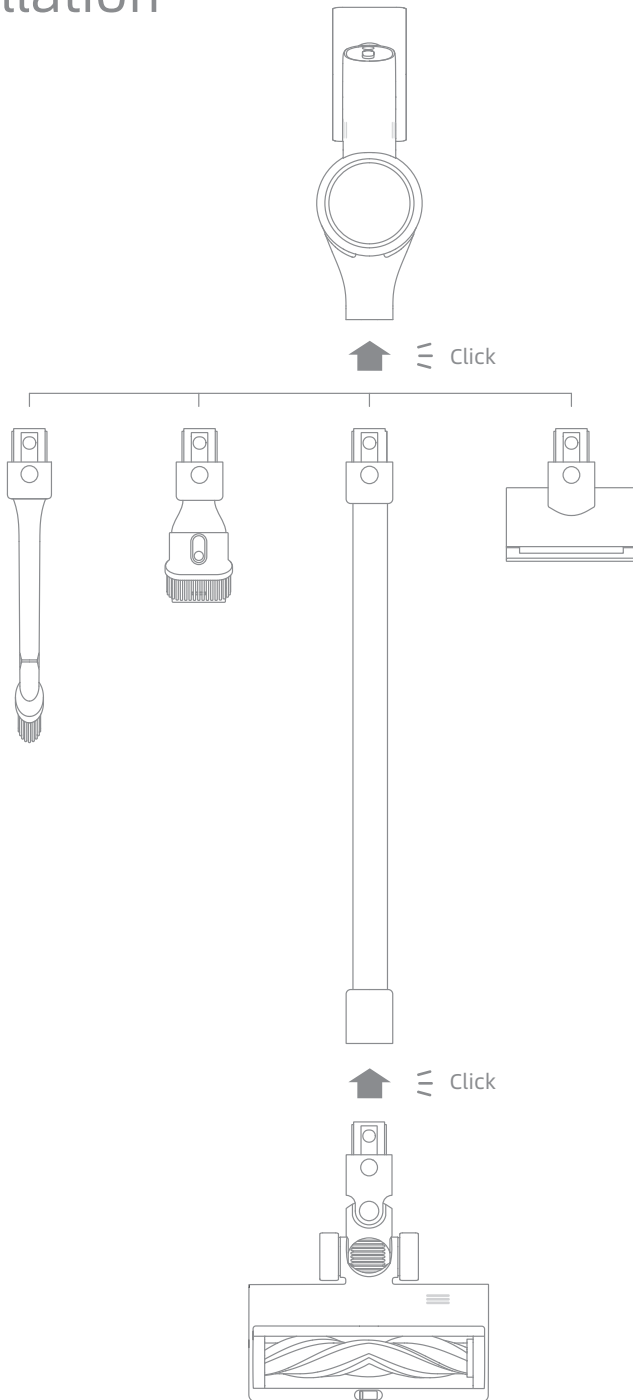


Wall Mount

(Including screw × 2, wall plug × 2, and mounting template sticker)

Note: The images in this manual are for illustrative purposes only. The actual product may differ.

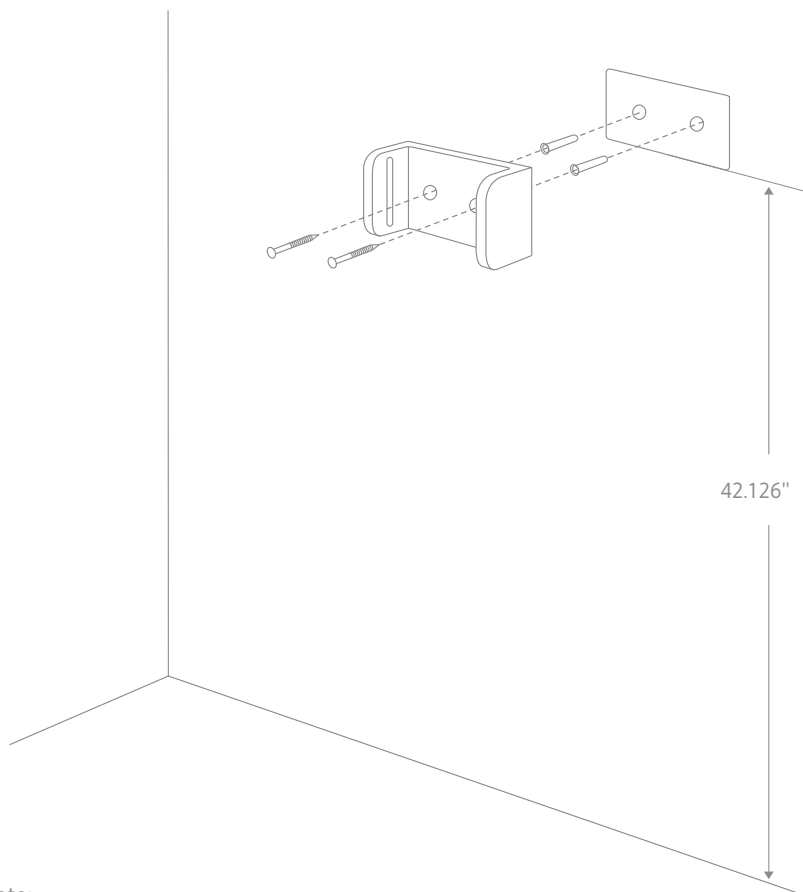
Installation



Installation

Wall Mount Installation Diagram

1. Paste the mounting template sticker on the wall. The bottom edge of the mounting template sticker should be parallel to and about 42.126" from the ground.
2. Use a power drill with an 0.315" drill bit to drill a hole into each marker on the mounting template sticker, then insert a wall plug into each hole.
3. Align the holes on the mount with the holes on the wall. Fasten it to the wall with the included screws.



Note:

- The wall mount is an optional accessory. You can install it based on your needs.
- The wall mount should be installed on a cool, dry surface with an electrical outlet nearby. Prior to installing, ensure that there are no electrical wires or pipes in the space directly behind installment position.

Charging

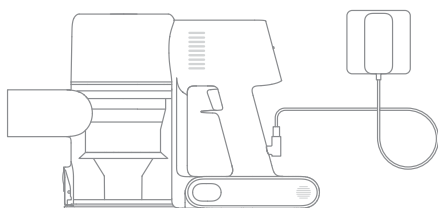
Fully charge the vacuum before using it for the first time.

Note:

- A full charge will take approximately 3.5 hours.
- Using Turbo mode for a prolonged period will cause the battery to heat up, which increases charging time. Allow the vacuum to cool down for 30 minutes before charging it.

Charging Methods

Charging the Vacuum with the Charger



LED Battery Status Indicator

- ● ☀ Low battery
- ☀ ○ Half battery
- ☀ ○ ○ Nearly full
- ○ ○ Fully charged

- Off
- ☀ Blinking
- On



Note: Once the vacuum is fully charged, the indicator will turn off after 5 minutes, and the vacuum will enter the energy-saving mode.

How to Use

Working Methods

Select from two working methods for the vacuum, based on your needs.

Method 1: Discontinuous Cleaning Mode

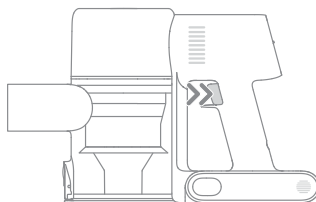
Press and hold the on/off switch to power it on, and release it to stop immediately.



Method 2: Continuous Cleaning Mode (Trigger Switch Lock)

Click the trigger switch lock to switch to Continuous Cleaning Mode when the vacuum is running. Then release the on/off switch to make the vacuum in Continuous Cleaning Mode.

Use the trigger switch lock to free your fingers and avoid finger fatigue caused by holding the switch.



Note:

- In this mode, the lock indicator will illuminate steadily.
- Click the trigger switch lock again to quit the Continuous Cleaning Mode.

How to Use

Using Different Accessories

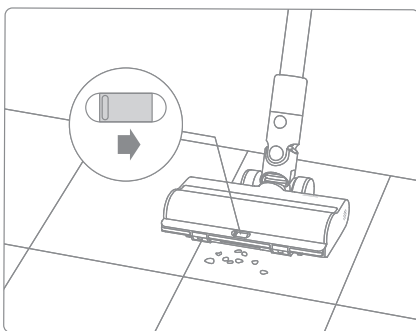
Multi-Surface Brush

Suitable for vacuuming on the med/low pile carpets, tiles and floors.

For vacuuming large particles by turning on the switch on the brush, such as coffee beans, corn flakes and etc.

Note:

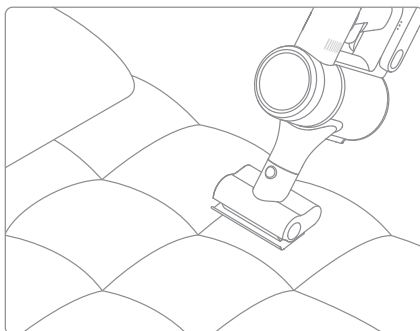
- The multi-surface brush can be attached directly to the vacuum.
- When the appliance starts, the lights in front of the brush roller will automatically turn on, which is convenient for use.



Motorized Mini-Brush

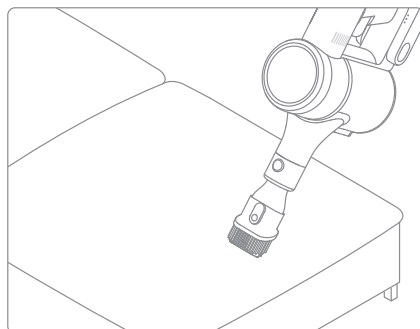
For vacuuming dirt, pet hair, and other stubborn debris from sofas, bedding, and other fabric surfaces.

Note: It is not recommended to vacuum on fragile surfaces, such as silk.



Wide Combination Tool

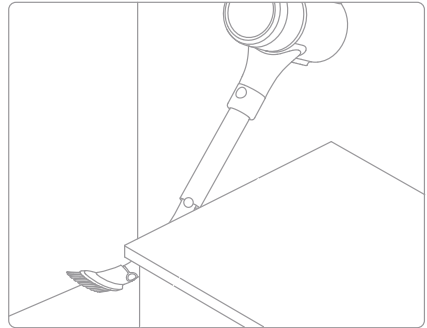
For vacuuming curtains, keyboards, ceilings, sofas, vehicle interiors, coffee tables, etc.



How to Use

Flexible Combination Tool

Bendable and retractable brush-nozzle, more flexible to vacuum in narrow gaps.

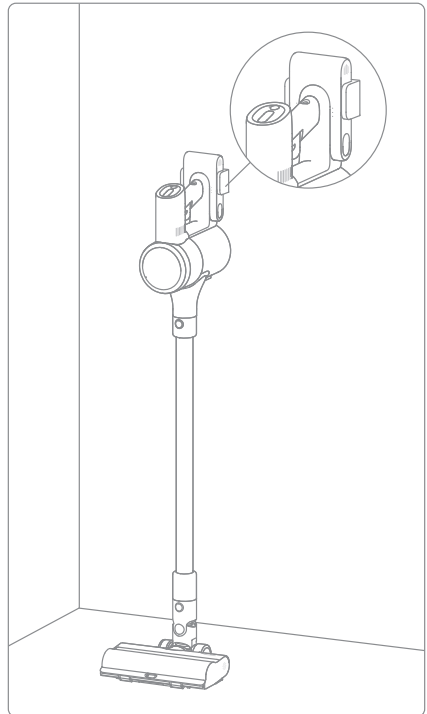


Wall Mount

The vacuum cleaner can be placed on the wall mount when it is not in use.

Note:

- Do not put the vacuum cleaner alone on the wall mount.
- Place it on the wall mount after connecting it with the extension rod and the multi-surface brush.



Note:

- If any rotating part becomes stuck, the vacuum may shut off automatically. Remove any trapped foreign objects, then resume use.
- When the motor becomes overheated, the vacuum will automatically shut off. Wait until the battery temperature returns to normal, then resume use.

Tips:

1. Always use genuine parts to keep your warranty from being void.
2. If the filter or nozzle becomes clogged, the vacuum will stop working shortly after being turned on. Clear the tube to restore functionality.
3. If the vacuum is not used for an extended period, fully charge it, unplug its charger, and store it in a cool, low-humidity environment away from direct sunlight. To avoid over-discharging the battery, recharge the vacuum at least once every three months.

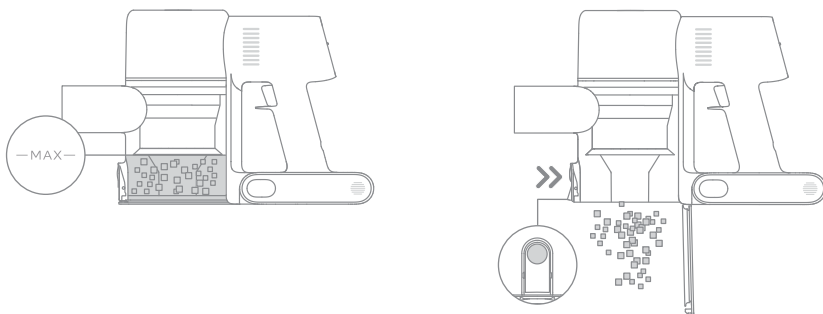
Cleaning the Vacuum

Wipe the vacuum with a soft dry cloth.

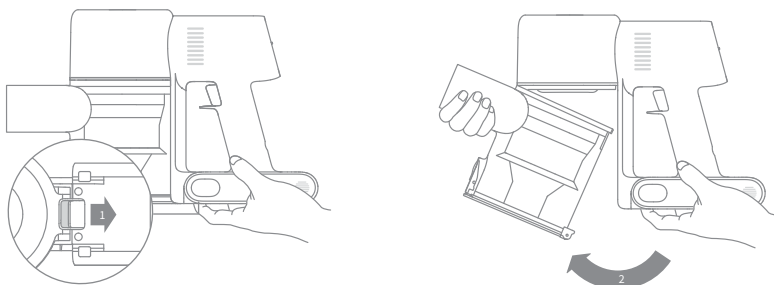
Cleaning the Dust Cup, Pre-Filter, and Cyclone Assembly

The vacuum's cleaning ability will be reduced if the dust cup is filled to the "MAX" mark. To regain performance, empty the dust cup in a timely manner. Before emptying the dust cup, make sure the vacuum is disconnected from the power, and do not press its power button.

1. Press the dust cup bottom cover release button, then empty the contents.

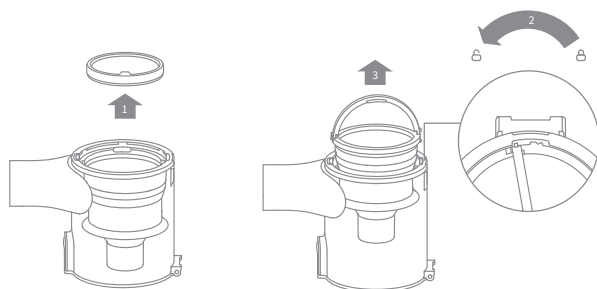


2. Push the dust cup release switch in the direction indicated by the arrow, then gently remove the dust cup from the vacuum.

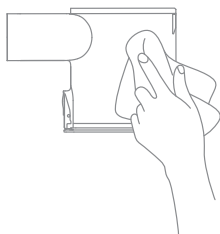


Care & Maintenance

3. Remove the pre-filter first, then lift the handle of the cyclone assembly and turn it counterclockwise until it stops, then pull to lift out the cyclone assembly.

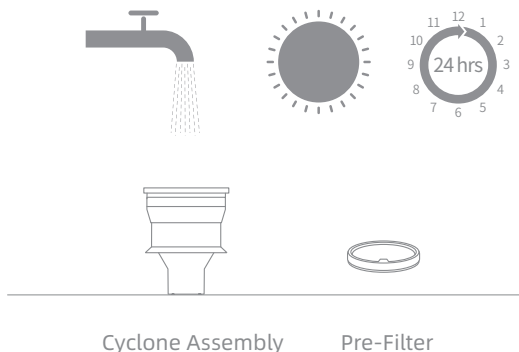


4. Wipe the dust cup with a soft wet cloth. Pay attention to wringing out the cloth before using.



To avoid the risk of electric shock, do not rinse the dust cup with water.

5. Rinse the cyclone assembly and pre-filter until they are clean. After washing, air dry for at least 24 hours .



Cyclone Assembly

Pre-Filter

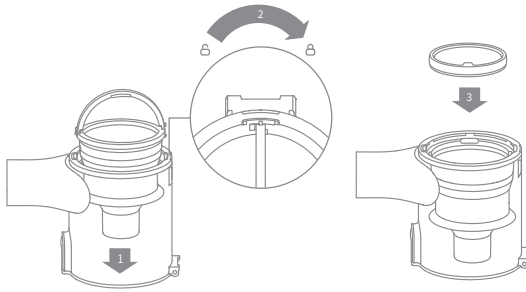
Note:

- It is recommended to clean the dust cup once every month.
- It is recommended to clean the pre-filter at least once every 3 months and the cyclone system at least once every 6 months.

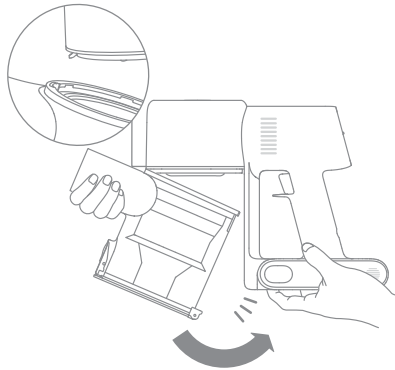
Care & Maintenance

Installing the Dust Cup, Pre-Filter, and Cyclone Assembly

1. Insert the cyclone assembly vertically into the dust cup, and make sure that the handle of the cyclone assembly line up with the slot on the left side of the dust cup. Turn the handle clockwise until it locks, then flip the handle down.
2. Place the pre-filter with its front side facing up into the cyclone assembly.



3. Slightly tilt the dust cup so the slot aligns with the clip on the vacuum. Then gently push the dust cup until it clicks into place.

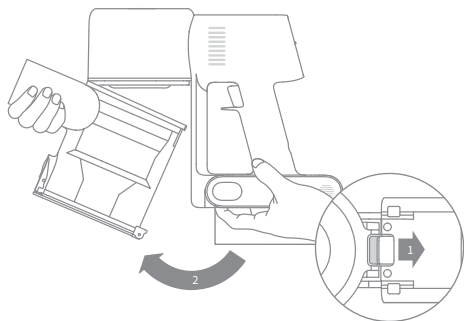


Care & Maintenance

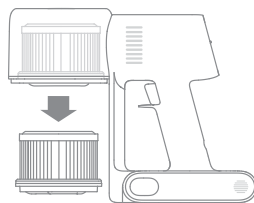
Cleaning the Filter

It is recommended to clean the filter once every 4 to 6 months.

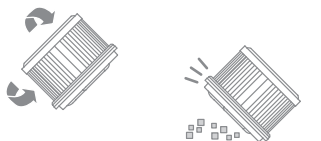
1. Remove the dust cup as shown in the figure.



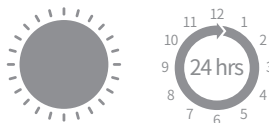
2. Remove the filter from the vacuum by pulling it down in the direction shown in the figure.



3. Clean the filter with clean water. Make sure you rotate the filter 360° to thoroughly and remove all dust caught in the filter. Lightly tap the filter several times to remove any excess dirt.



4. Allow the filter to air dry for 24 hours.

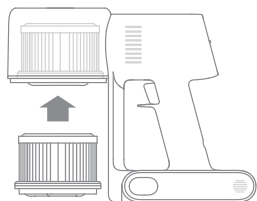


Note:

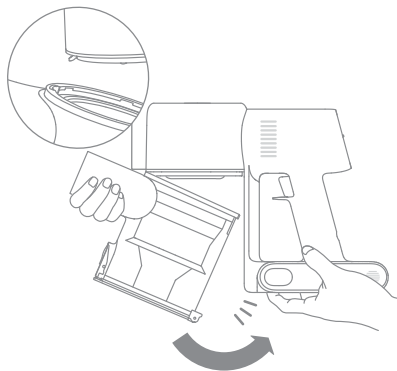
- Only use clean water to wash the filter. Do not use detergent.
- Do not attempt to clean the filter with a brush or finger.

Installing the Filter

1. Insert the filter into the vacuum and gently press down, as illustrated.



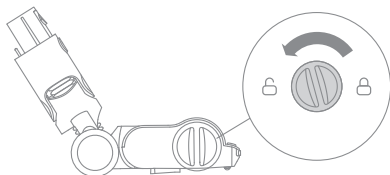
2. Reinstall the dust cup.



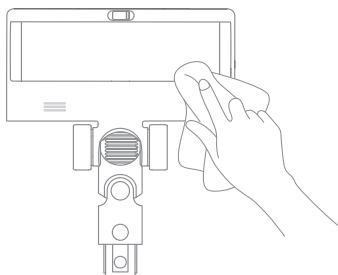
Care & Maintenance

Cleaning the Multi-Surface Brush

1. Turn the lock counterclockwise until it stops, then remove the roller from the roller brush.



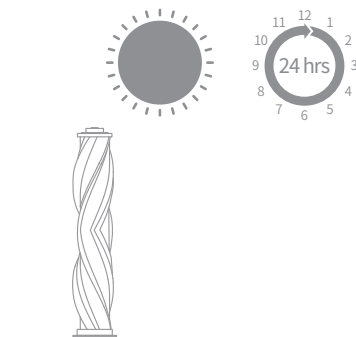
2. Use scissors to cut off the hairs and fibers that get stuck on the brush roller. Wipe the dust from the notch and transparent cover with a dry cloth or paper towel. Thoroughly dry before use.



3. When it is dirty, rinse the brush roller with clean water until it is clean.



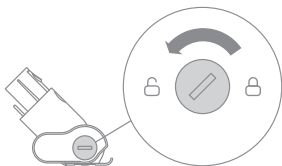
4. Stand the brush roller upright for at least 24 hours until it is fully dry.



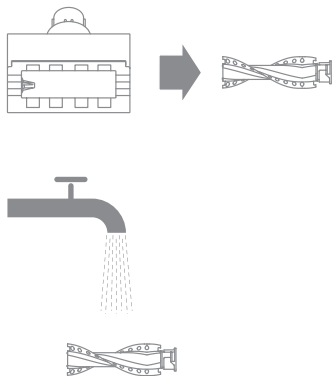
Care & Maintenance

Cleaning the Motorized Mini-Brush

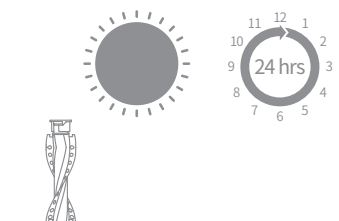
1. Use a coin as illustrated to rotate the lock counterclockwise until you hear a click.



2. After unlocking the motorized mini-brush, remove the brush roller, then rinse and clean it.



3. Stand the brush roller upright in a well-ventilated area for at least 24 hours until it is fully dry.



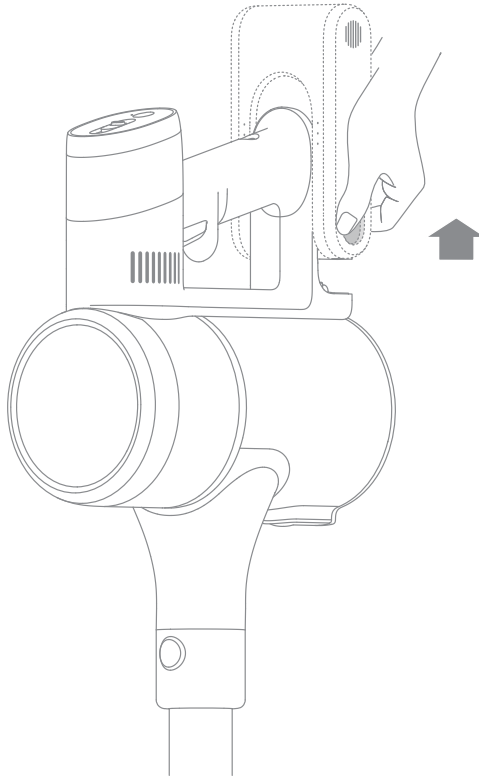
4. Once the brush roller is dry, reinstall it by following the disassembly steps in reverse.



Battery Pack

The vacuum contains a removable rechargeable lithium-ion battery pack which has a limited number of recharge cycles. After extended use, the battery pack may no longer hold a charge. If this happens, it means the battery pack has reached the end of its life cycle and needs to be replaced.

1. Press down the battery pack release button and slide the battery pack to the right, as illustrated, to remove it.
2. Install the new battery pack.



Vacuum Cleaner			
Model	VTV22B		
Charging Voltage	30 V $\overline{=}$	Rated Voltage	25.2 V $\overline{=}$
Rated Power	350 W	Charging Time	approximately 3.5 hours
Motorized Mini-Brush			
Model	VMM4		
Rated Power	20 W	Rated Voltage	25.2 V $\overline{=}$
Multi-Surface Brush			
Model	VMB3		
Rated Power	40 W	Rated Voltage	25.2 V $\overline{=}$
Charger			
Model	YLS0251B-T300080		
Input	100-240 V \sim 50/60 Hz 0.8 A max	Output	30 V $\overline{=}$ 0.8 A
Rechargeable Lithium-Ion Battery Pack			
Model	V2309-7S1P-BCA		
Nominal Voltage	25.2 V $\overline{=}$	Nominal Capacity	2500 mAh
Rated Capacity	2400 mAh	Energy	60.48 Wh

If the vacuum is not working properly, please refer to the table below.

Errors	Possible Causes	Solutions
Vacuum does not work.	Vacuum is out of battery or low on power.	Fully charge the vacuum, then resume use.
	Overheat protection mode triggered by a blockage.	Clean the suction openings or air duct. Wait until the vacuum cools down, then reactivate it.
	Suction opening or air duct is blocked.	Clear any blockages from suction opening or air duct.
Weak suction force.	Dust cup is full and/or filter assembly is clogged.	Empty the dust cup and clean the filter assembly.
	Attachment is blocked.	Clear any blockages in the attachment.
Motor makes a strange noise.	Main suction opening or extension rod is blocked.	Clear any blockage in the main suction opening or extension rod.
The first indicator is red after turning on the vacuum.	Battery pack is damaged.	Please contact after-sales service to arrange maintenance.
The first indicator blinks red when charging the vacuum.	The charger is incompatible.	Only use the original charger to charge the vacuum.

Errors	Possible Causes	Solutions
The battery indicator does not light up when charging.	The charger does not plug into the vacuum well.	Check whether the charger is properly plugged into the vacuum.
	The battery is charged and switches to Sleep Mode automatically.	The vacuum runs normally.
	If the problem persists after ruling out the above two possibilities.	Please contact the after-sales department for maintenance.
Charging too slow.	Battery temperature is too low or too high.	Wait until the battery's temperature returns normal, then resume use.
LED lights of the multi-surface brush do not work.	LED lights are damaged.	Please contact the aftersales department for maintenance.

The lithium-ion battery pack contains substances that are hazardous to the environment. Before disposing of the vacuum, please remove the battery pack, then discard or recycle it in accordance with local laws and regulations of the country or region it is used in.

IMPORTANTES MESURES DE SÉCURITÉ

L'utilisation d'un appareil électrique demande certaines précautions: LIRE TOUTES LES INSTRUCTIONS AVANT DE FAIRE FONCTIONNER (CET APPAREIL). Le non-respect des mises en garde et des instructions peut causer des chocs électriques, des incendies et/ou des blessures graves.

CONSERVER CES INSTRUCTIONS

Usage Domestique seulement.

Avertissement - Pour réduire les risques d'incendie, de choc électrique ou de blessure:

Ne pas exposer à la pluie, Ranger à l'intérieur.

Ne pas permettre aux enfants de jouer avec l'appareil. Une attention particulière est nécessaire lorsque l'appareil est utilisé par des enfants ou à proximité de ces derniers.

N'utiliser que conformément à cette notice avec les accessoires recommandés par le fabricant.

Ne pas utiliser si le cordon ou la fiche est endommagé. Retourner l'appareil à un atelier de réparation s'il ne fonctionne pas bien, s'il est tombé ou s'il a été endommagé, oublié à l'extérieur ou immergé.

Ne pas tirer, soulever ni trainer l'appareil par le cordon. Ne pas utiliser le cordon comme une poignée, le coincer dans l'embrasure d'une porte ou l'appuyer contre des arêtes vives ou des coins. Ne pas faire rouler l'appareil sur le cordon. Garder le cordon à l'écart des surfaces chaudes.

Ne pas débrancher en tyrant sur le cordon. Tirer plutôt la fiche.

Ne pas manipuler le chargeur, y compris la prise du chargeur, et les bornes du chargeur avec les mains mouillées.

N'insérer aucun objet dans les ouvertures. Ne pas utiliser l'appareil lorsqu'une ouverture est bloquée. S'assurer que de la poussière, de la peluche, des cheveux ou d'autres matières ne réduisent pas le débit d'air.

Maintenir les cheveux, les vêtements amples, les doigts et toutes les parties du corps à l'écart des ouvertures et des pièces mobiles.

User de prudence lors du nettoyage des escaliers.

Ne pas aspirer des liquides inflammables ou combustibles, comme de l'essence, et ne pas faire fonctionner dans des endroits où peuvent se trouver de tels liquides.

Ne pas aspirer de matières en combustion ou qui dégagent de la fumée, comme des cigarettes, des allumettes ou des cendres chaudes.

Ne pas utiliser l'appareil si le sac à poussière ou le filtre n'est pas en place.

Éviter une mise en marche accidentelle. S'assurer que l'interrupteur est à la position arrêt avant de raccorder la batterie, de lever ou de déplacer l'appareil. Transporter l'appareil en gardant un doigt sur l'interrupteur, ou mettre sous tension un appareil dont l'interrupteur est à la position marche peut causer un accident.

Retirer la batterie de l'appareil avant d'effectuer des réglages, changer les accessoires ou ranger l'appareil. Ces mesures de sécurité

ont pour but d'éviter une mise en marche accidentelle de l'appareil. Recharger uniquement avec le chargeur prescrit par le fabricant. Un chargeur convenant à un type de batterie peut présenter un risque d'incendie lorsqu'il est utilisé avec une autre batterie.

Utiliser uniquement les batteries recommandées pour l'appareil. L'utilisation d'autres types de batteries peut présenter un risque de blessure ou d'incendie.

Lorsque l'appareil n'est pas utilisé, tenir la batterie loin d'objets métalliques comme des trombones, des pièces de monnaie, des clés, des clous, des vis ou autres petits objets qui pourraient établir une liaison entre les bornes. Un court-circuit des bornes des batteries peut causer des brûlures ou un incendie.

En condition d'usage abusif, du liquide peut s'échapper de la batterie ; éviter tout contact avec ce liquide. En cas de contact accidentel, rincer abondamment avec de l'eau. En cas de contact avec les yeux, consulter également un médecin. Le liquide projeté peut causer des irritations ou des brûlures.

Ne pas utiliser une batterie ou un appareil endommagé ou qui a été modifié. Des batteries endommagées ou modifiées peuvent avoir un comportement imprévisible pouvant causer un incendie, une explosion ou un risque de blessure.

Ne pas exposer une batterie ou un appareil à la flamme ou à des températures excessives. L'exposition à une flamme ou à des températures supérieures à 130°C peut causer une explosion.

Respecter toutes les instructions de chargement et ne pas charger la batterie ou l'appareil à des températures qui ne sont pas incluses dans la gamme de températures indiquées dans la notice d'instructions. Un chargement mal effectué.

Confier les réparations à une personne qualifiée qui utilisera uniquement des pièces de remplacement identiques. Cette façon de faire garantira la sécurité du produit.

Ne pas modifier ni tenter de réparer l'appareil ou la batterie sauf comme il est indiqué dans les instructions d'utilisation et d'entretien.

Ne pas l'utiliser ni le stocker dans des environnements extrêmement chauds ou froids (en dessous de 0°C/32°F ou au-dessus de 40°C/104°F). Veuillez charger l'aspirateur sans fil dans des températures supérieures à 0°C/32°F et inférieures à 0°C/104°F.

Attention:

L'émetteur/récepteur exempt de licence contenu dans le présent appareil est conforme aux CNR d'Innovation, Sciences et Développement économique Canada applicables aux appareils radio exempts de licence.

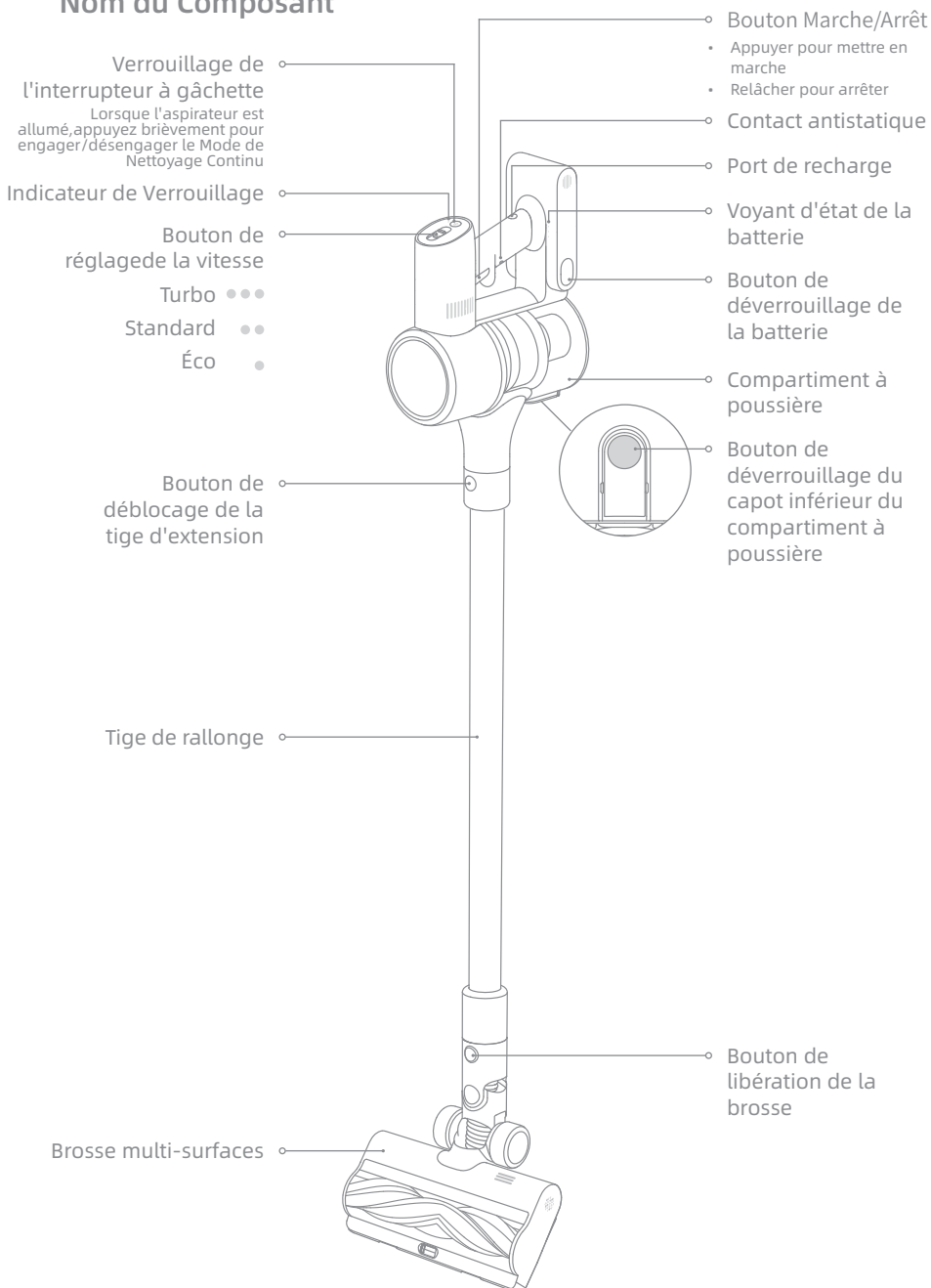
L'exploitation est autorisée aux deux conditions suivantes :

1. L'appareil ne doit pas produire de brouillage;
2. L'appareil doit accepter tout brouillage radioélectrique subi, même si le brouillage est susceptible d'en compromettre le fonctionnement.

---	Courant continu
~	Courant alternatif

Présentation du Produit

Nom du Composant

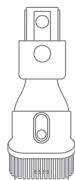


Présentation du Produit

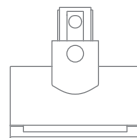
Liste des Accessoires



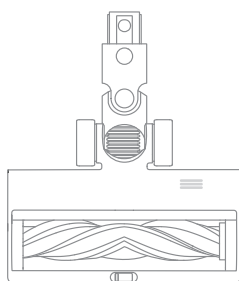
Tige de rallonge



Outil de combinaison
large



Mini-brosse motorisée



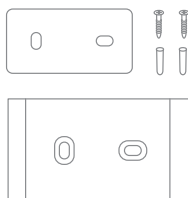
Brosse multi-surfaces



Buse d'aspiration
flexible et plate



Chargeur

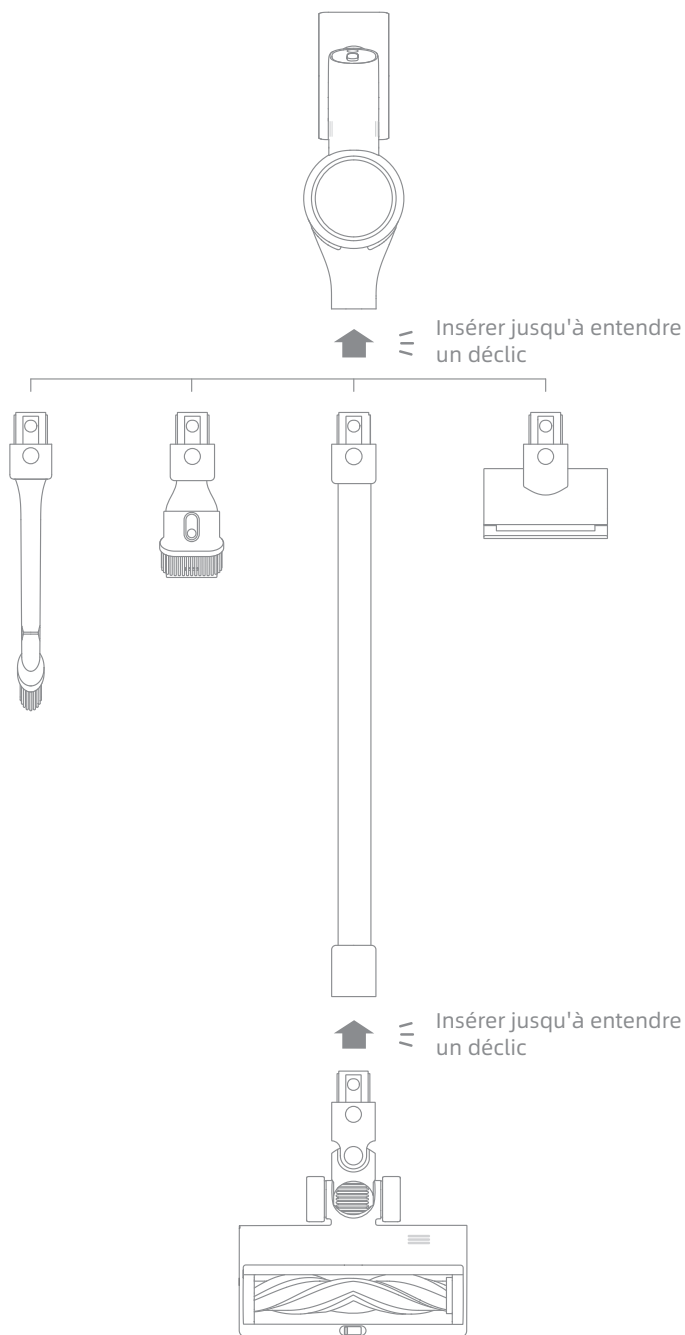


Support mural

(comportant une vis $\times 2$, une prise murale $\times 2$ et un autocollant de positionnement)

Rappel : Photo non contractuelle, veuillez vous référer aux objets concrets.

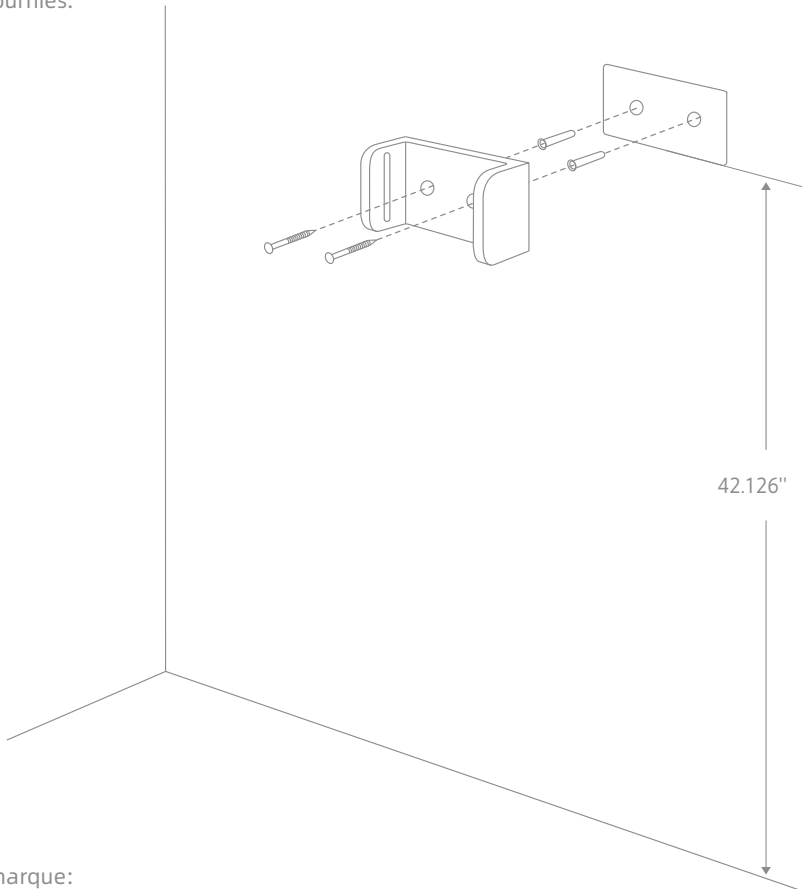
Procédure d'installation



Procédure d'installation

Schéma d'installation du support mural

1. Placez l'autocollant de positionnement sur le mur et maintenez-le parallèle au sol, le bas de l'autocollant est recommandé à 42,126" au-dessus du sol.
2. Utilisez une perceuse électrique avec une fraise de 0,315" pour percer un trou à chaque emplacement indiqué sur le patron d'installation. Ensuite, insérez une cheville murale dans chaque trou.
3. Alignez les trous du support avec les trous du mur. Fixez-le au mur à l'aide des vis fournies.



Remarque:

- Le support mural est un accessoire en option. Vous pouvez l'installer en fonction de vos besoins.
- Le support mural doit être installé sur une surface fraîche et sèche, avec une prise électrique à proximité. Avant de l'installer, assurez-vous qu'il n'y a pas de fils électriques ou de tuyaux dans l'espace situé directement derrière la position d'installation.

Recharge

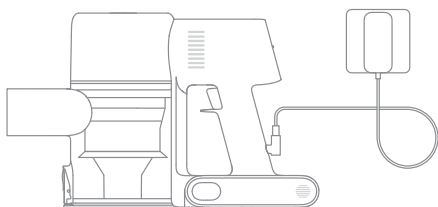
Chargez entièrement la batterie de l'aspirateur avant la première utilisation.

Remarque:

- Cette opération dure environ 3,5 heures.
- L'aspiration en mode Turbo pendant une période prolongée peut entraîner la surchauffe de la batterie, ce qui augmente le temps de charge. Laissez l'aspirateur refroidir pendant 30 minutes avant de le charger.

Modes de charge

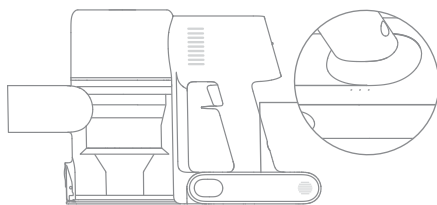
Recharge de l'aspirateur avec le chargeur



Voyant d'état de la batterie

- ● ☀ Batterie faible
- ☀ ○ Batterie à moitié vide
- ☀ ○ ○ Batterie presque pleine
- ○ ○ Entièrement chargée

- Arrêt ☀ Clignotant ○ Marche



Remarque: Une fois l'aspirateur entièrement chargé, le voyant s'éteint au bout de 5 minutes et l'appareil passe en mode économie d'énergie.

Mode de nettoyage

Il existe deux modes de fonctionnement pour l'aspirateur, qui peuvent être sélectionnés en fonction de vos propres besoins.

Mode 1 : Mode de nettoyage discontinu

Dans ce mode, appuyez brièvement sur l'interrupteur pour suspendre le fonctionnement ou démarrer à nouveau, et le mode de fonctionnement de l'aspirateur ne changera pas.



Mode 2 : Mode de nettoyage continu (verrouillage de l'interrupteur à gâchette)

Cliquez sur le verrouillage de l'interrupteur à gâchette pour passer en mode de nettoyage continu lorsque l'aspirateur fonctionne. Relâchez ensuite l'interrupteur marche/arrêt pour mettre l'aspirateur en mode de nettoyage continu.

Utilisez le verrouillage de l'interrupteur à gâchette pour vous permettre de libérer vos doigts et éviter ainsi la fatigue causée par le maintien de l'interrupteur.



Remarque:

- Dans ce mode, l'indicateur de verrouillage s'allume en permanence.
- Cliquez à nouveau sur le verrouillage de l'interrupteur à gâchette pour quitter le mode de nettoyage continu.

Utilisation des différents accessoires

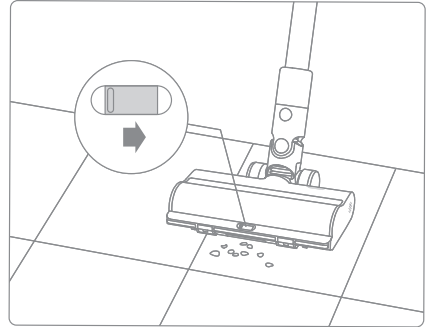
Brosse multi-surfaces

Adapte à l'aspiration des tapis d'épaisseur fine/moyenne, carreaux et sols.

Pour aspirer les grosses particules (telles que les grains de café, les flocons de maïs, etc.) en activant l'interrupteur de la brosse.

Remarque:

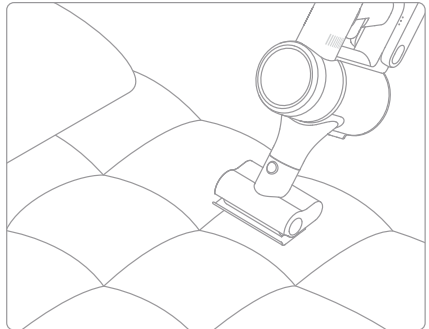
- La brosse multi-surfaces peut être fixée directement à l'aspirateur.
- Lorsque l'appareil démarre, les lumières devant la brosse à rouleau s'allumeront automatiquement, ce qui est pratique à l'utilisation.



Mini-brosse motorisée

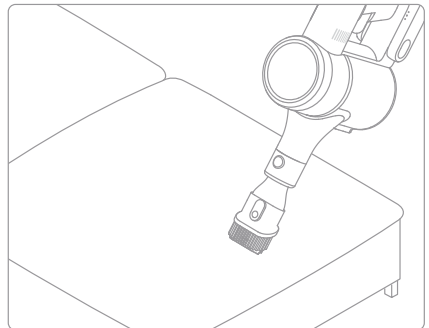
Pour l'aspiration de poussière, poils d'animaux et autres résidus tenaces sur des canapés, linges de lit et autres surfaces en tissu.

Remarque: il n'est pas recommandé de passer l'aspirateur sur les surfaces qui accrochent, comme la soie.



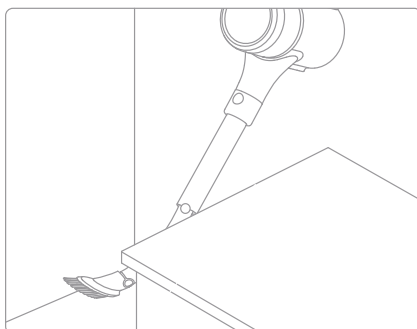
Outil à combinaison large

Pour l'aspiration de rideaux, canapés, intérieur de véhicules, tables de salon, etc.



Buse d'aspiration flexible et plate

Brosse souple et pliable pour une plus grande flexibilité d'absorption de la poussière dans un espace étroit.

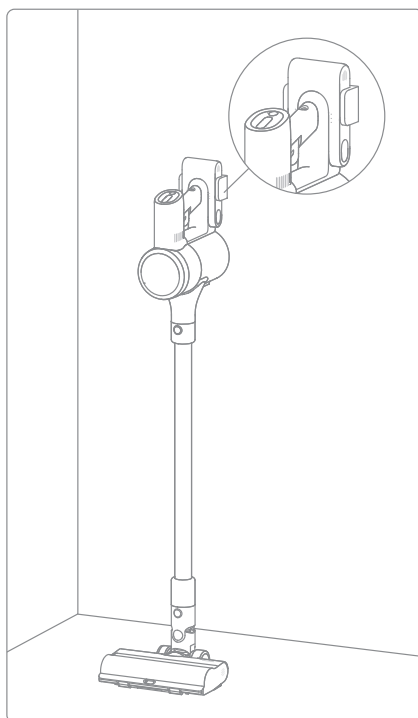


Support mural

L'aspirateur peut être placé sur le support mural lorsqu'il n'est pas utilisé.

Remarque:

- Ne posez pas l'aspirateur seul sur le support mural.
- Placez-le sur le support mural après l'avoir relié à la tige d'extension et à la brosse multi-surfaces.



Remarque:

- Si un pièce rotative se coince, l'aspirateur est susceptible de s'éteindre automatiquement. Retirez tout objet coincé dans l'aspirateur, puis poursuivez votre utilisation.
- Quand de la batterie surchauffe en fonctionnement, l'aspirateur s'éteint automatiquement. Attendez que la température de la batterie revienne à un niveau normal, puis poursuivez votre utilisation.

Entretien et maintenance

Précautions concernant la maintenance

- Utilisez toujours des pièces d'origine, faute de quoi la garantie pourrait être annulée.
- En cas d'obstruction du filtre ou du bec, l'aspirateur s'arrête de fonctionner peu après avoir été mis sous tension. Nettoyez le filtre ou le bec afin de rétablir son fonctionnement.
- Si vous ne prévoyez pas d'utiliser l'aspirateur pendant une période prolongée, chargez-le entièrement, débranchez-le, puis entreposez-le dans un endroit frais, à l'abri de l'humidité et de la lumière directe du soleil. Afin d'éviter une décharge excessive de la batterie, rechargez l'aspirateur au moins une fois tous les trois mois.

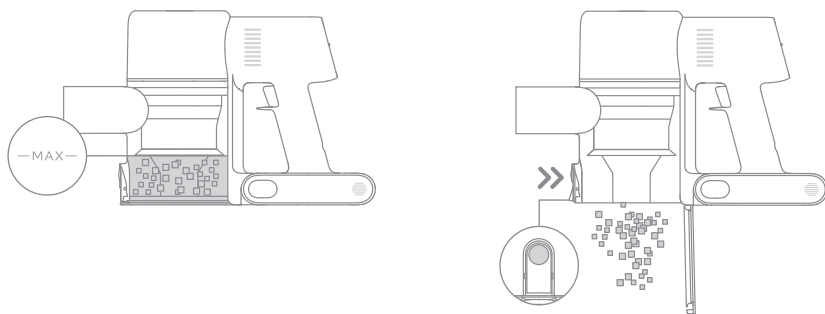
Nettoyage de l'aspirateur Vacuum Cleaner

Essuyez l'aspirateur avec un chiffon doux et sec.

Nettoyage du compartiment à poussière, du préfiltre et de l'ensemble cyclone

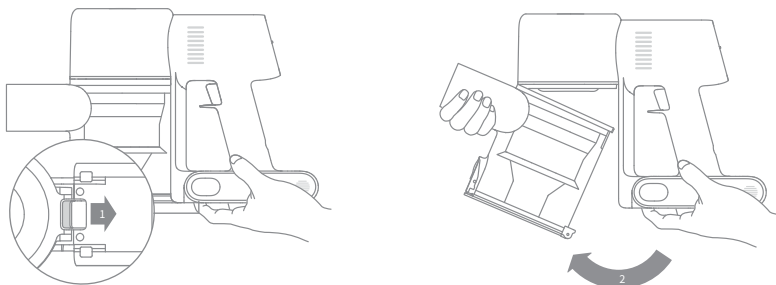
La capacité de nettoyage de l'aspirateur diminuera si le compartiment à poussière est rempli jusqu'au niveau « MAX ». Videz-le pour améliorer les performances. Avant de vider le compartiment, assurez-vous d'avoir bien débranché l'aspirateur et n'appuyez pas sur le bouton marche/arrêt.

1. Appuyez sur le bouton de déverrouillage du capot inférieur du compartiment à poussière, puis videz celui-ci.

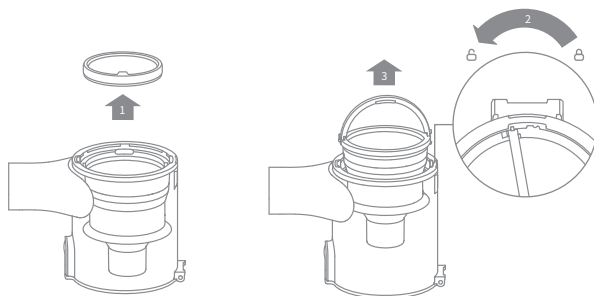


Entretien et maintenance

2. Poussez l'interrupteur de déverrouillage du compartiment à poussière dans la direction indiquée par la flèche, puis retirez délicatement le compartiment à poussière de l'aspirateur.

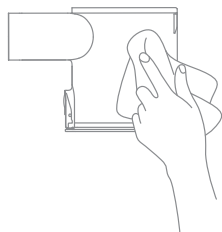


3. Retirez d'abord le préfiltre, puis levez la poignée de l'ensemble cyclone et tournez-la dans le sens inverse des aiguilles d'une montre jusqu'à ce qu'elle ne puisse plus tourner. Tirez ensuite pour soulever l'ensemble cyclone.



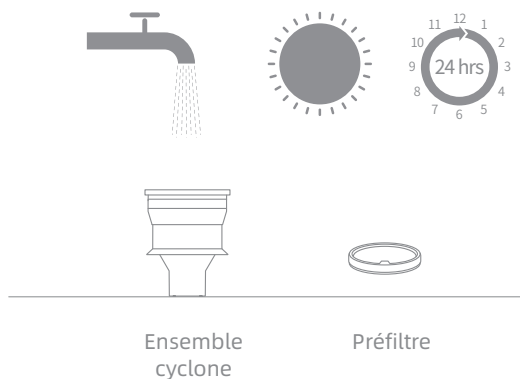
Entretien et maintenance

4. Veuillez essuyer la tasse à poussière avec un chiffon doux et humide. Veuillez essorer le chiffon à poussière avant utilisation.



Pour réduire le risque de choc électrique, ne rincez pas le compartiment à poussière avec de l'eau.

5. Rincez l'ensemble du cyclone et pré-filtrez jusqu'à ce qu'ils soient propres. Après le lavage, laissez sécher à l'air pendant au moins 24 heures.



Ensemble cyclone

Préfiltre

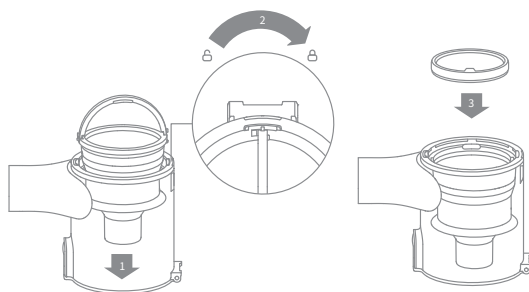
Remarque:

- Le compartiment à poussière doit être rincé au moins une fois par mois.
- Il est recommandé de nettoyer le pré-filtre, au moins, une fois tous les 3 mois et le système cyclone, au moins, une fois tous les 6 mois.

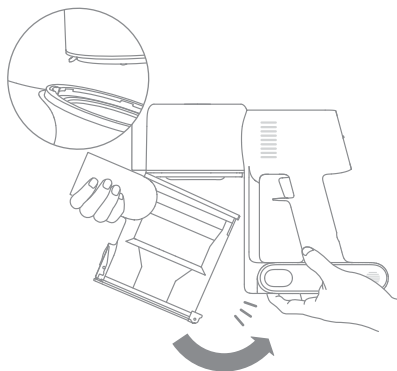
Entretien et maintenance

Installation du compartiment à poussière, du préfiltre et de l'ensemble cyclone

1. Insérez l'ensemble cyclone à la verticale dans le compartiment à poussière. Assurez-vous que la poignée de l'ensemble cyclone est alignée avec l'encoche située à gauche du compartiment à poussière. Tournez la poignée dans le sens des aiguilles d'une montre jusqu'à ce qu'elle se verrouille, puis rabattez-la.
2. Placez le préfiltre face vers le haut dans l'ensemble cyclone.



3. Inclinez légèrement le compartiment à poussière pour que son encoche soit alignée avec le clip sur l'aspirateur. Enfoncez délicatement le compartiment à poussière jusqu'à entendre un dé clic.

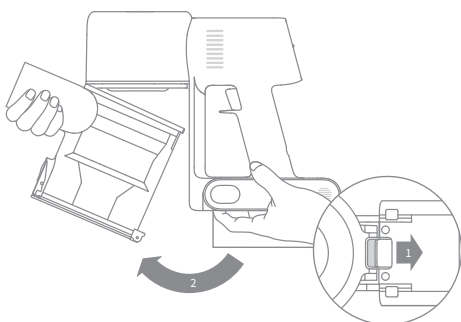


Entretien et maintenance

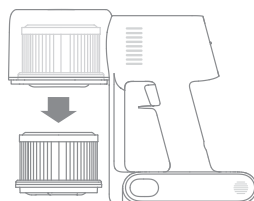
Nettoyage du filtre

Il est recommandé de nettoyer le filtre tous les 4 à 6 mois.

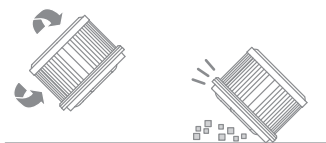
1. Retirez le compartiment à poussière comme illustré sur le schéma.



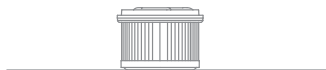
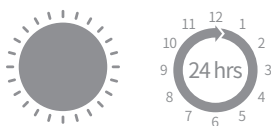
2. Retirez le filtre de l'aspirateur en tirant dessus, dans la direction indiquée sur le schéma.



3. Nettoyez le filtre avec de l'eau claire. Assurez-vous de faire pivoter le filtre à 360° afin de bien éliminer toute poussière coincée dedans. Tapotez légèrement le filtre plusieurs fois pour éliminer tout excès de poussière.



4. Laissez le filtre sécher complètement pendant au moins 24 heures.



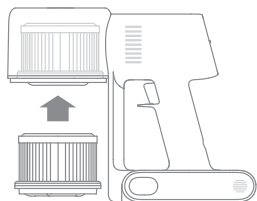
Remarque:

- Pour nettoyer le filtre, n'utilisez que de l'eau claire. N'utilisez pas de détergents.
- N'essayez pas de nettoyer le filtre avec une brosse ou vos doigts.

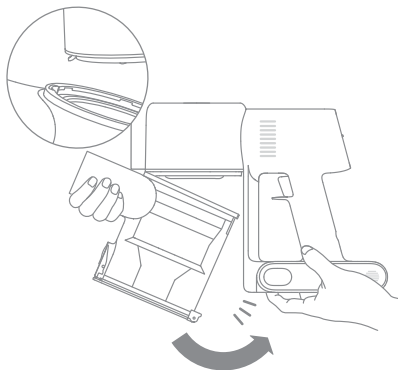
Entretien et maintenance

Installation du filtre

1. Insérez le filtre dans l'aspirateur et enfoncez-le délicatement, comme indiqué sur le schéma.



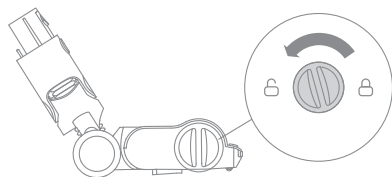
2. Réinstallez le compartiment à poussière.



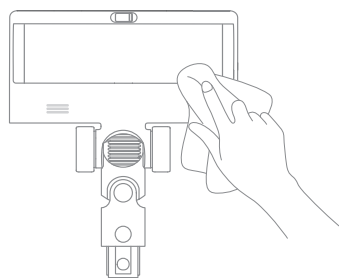
Entretien et maintenance

Nettoyage de la brosse multi-surfaces

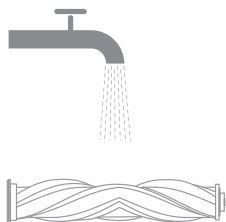
1. Tournez le verrou dans le sens inverse des aiguilles d'une montre jusqu'à ce qu'il s'arrête, puis retirez le rouleau de la brosse à rouleau.



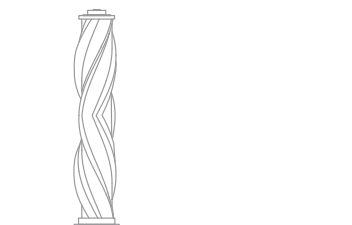
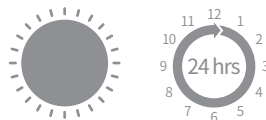
2. Utilisez des ciseaux pour couper les poils et les fibres qui restent coincés sur le rouleau. Essuyez la pousière de l'encoche et du couvercle transparent avec un chiffon sec ou une serviette en papier. Séchez-les soigneusement avant de les utiliser.



3. Lorsqu'il est sale, rincez le rouleau à l'eau claire jusqu'à ce qu'elle soit propre.



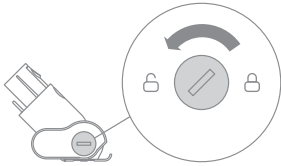
4. Mettez le rouleau en position verticale pendant au moins 24 heures jusqu'à ce qu'elle soit complètement sec.



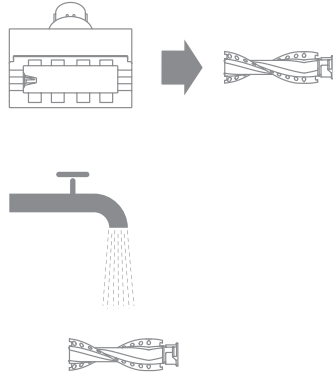
Entretien et maintenance

Nettoyage de la mini-brosse motorisée

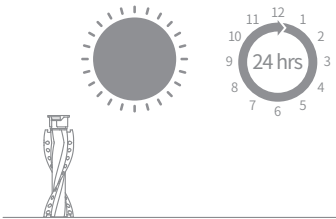
1. Utilisez une pièce de monnaie pour faire tourner le verrou dans le sens inverse des aiguilles d'une montre jusqu'à entendre un déclic.



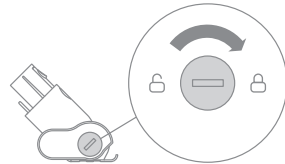
2. Après avoir déverrouillé la mini-brosse motorisée, retirez le rouleau, puis rincez-la et nettoyez-la.



3. Placez le rouleau en position verticale dans un endroit bien ventilé pendant au moins 24 heures, jusqu'à ce qu'elle soit complètement sèche.



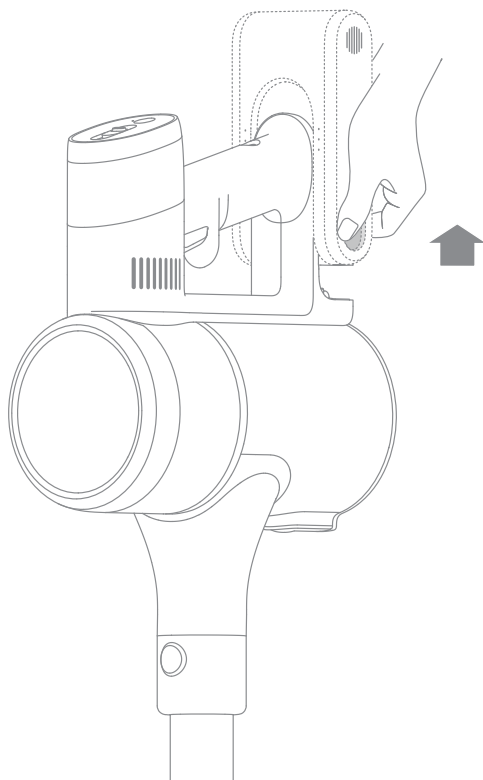
4. Une fois que le rouleau est sèche, réinstallez-la en suivant les étapes de démontage en sens inverse.



Batterie

L'aspirateur contient une batterie lithium-ion rechargeable disposant d'un nombre limité de cycles de charge. Après un usage prolongé, la batterie est susceptible de se décharger rapidement. Si c'est le cas, cela signifie que la batterie est arrivée au bout de sa durée de vie et doit être remplacée.

1. Appuyez sur le bouton de déverrouillage de la batterie et faites-la glisser vers la droite pour la retirer, comme illustré sur le schéma.
2. Installez la nouvelle batterie.



Caractéristiques

Aspirateur			
Modèle	VTV22B		
Tension de charge	30 V===	Tension mesuré	25,2 V===
Puissance mesurée	350 W	Temps de Charge	environ 3,5 heures
Mini-brosse motorisée			
Modèle	VMM4		
Puissance mesurée	20 W	Tension mesuré	25,2 V===
Brosse multi-surfaces			
Modèle	VMB3		
Puissance mesurée	40 W	Tension mesuré	25,2 V===
Batterie rechargeable lithium-ion			
Modèle	YL50251B-T300080		
Entrée	100-240 V ~ 50/60 Hz 0,8 A max	Sortie	30 V=== 0,8 A
Batterie rechargeable lithium-ion			
Modèle	V2309-7S1P-BCA		
Tension nominale	25,2 V===	Capacité nominale	2500 mAh
Capacité de fonctionnement	2400 mAh	Énergie	60,48 Wh

En cas de dysfonctionnement de l'aspirateur, consultez le tableau ci-dessous.

Erreur	Cause possible	Solution
L'aspirateur ne fonctionne pas.	La batterie est déchargée ou faible.	Rechargez complètement l'aspirateur avant de reprendre votre utilisation.
	Le mode de protection contre la surchauffe se déclenche suite à une obstruction.	Attendez que l'aspirateur refroidisse, puis réactivez-le.
	L'orifice d'aspiration ou le conduit d'air est obstrué.	Retirez les débris susceptibles de bloquer l'orifice d'aspiration ou le conduit d'air.
La puissance d'aspiration est affaiblie.	Le compartiment à poussière est rempli et/ou le filtre est obstrué.	Videz le compartiment à poussière et nettoyez l'ensemble filtre .
	L'accessoire est obstrué.	Retirez les débris susceptibles d'obstruer l'accessoire.
Le moteur fait un bruit anormal.	L'orifice d'aspiration principal ou la tige de rallonge est obstrué(e).	Retirez les débris susceptibles de bloquer le suceur principal ou la tige de rallonge.
Le premier voyant est rouge après avoir allumé l'aspirateur.	La batterie est endommagée.	Contactez le service après-vente pour assurer la maintenance.
Le premier voyant clignote en rouge quand l'aspirateur est en charge.	Le chargeur n'est pas compatible.	Utilisez uniquement le chargeur d'origine pour recharger l'aspirateur.

Erreur	Cause possible	Solution
Le voyant de batterie ne s'allume pas lorsque l'aspirateur est en charge.	Le chargeur n'est pas connecté à l'aspirateur.	Assurez-vous que le chargeur est branché correctement.
	La batterie est complètement chargée et l'appareil est passé en mode veille.	L'aspirateur peut être utilisé normalement.
	Si le problème persiste après avoir écarté les deux possibilités ci-dessus.	Contactez le service après-vente qui vous aidera.
La batterie charge lentement.	La température de la batterie est trop basse ou trop élevée.	Attendez que la température de la batterie revienne à un niveau normal, puis reprenez votre session de nettoyage.
La lampe LED de la brosse pour tout type de sols ne fonctionne pas.	La lampe à LED est endommagée.	Contactez le service après-vente qui vous aidera.

La batterie lithium-ion contient des substances dangereuses pour l'environnement. Avant de mettre l'aspirateur au rebut, retirez d'abord la batterie pour la jeter ou la recycler conformément à la législation et à la réglementation locales du pays ou de la région dans lequel ou laquelle il est utilisé.

Instrucciones de seguridad importantes

INSTRUCCIONES IMPORTANTES DE SEGURIDAD

Cuando utiliza un aparato eléctrico, siempre debe seguir las precauciones básicas, incluidas las siguientes:

LEA TODAS LAS INSTRUCCIONES ANTES DE USAR (ESTE APARATO). El incumplimiento de las advertencias e instrucciones puede provocar descarga eléctrica, incendio y/o lesiones graves.

GUARDE ESTAS INSTRUCCIONES

Solo para uso doméstico.

ADVERTENCIA - Para reducir el riesgo de incendio, descarga eléctrica o lesiones:

No lo utilice al aire libre o sobre superficies mojadas.

No permita que se utilice como un juguete. Debe prestar mucha atención cuando se utiliza cerca de niños, mascotas o plantas.

Use únicamente como se describe en este manual. Sólo utilice los accesorios recomendados por el fabricante.

No lo utilice con el cable o enchufe dañado. Si el aparato no funciona correctamente, se ha caído, dañado, dejado al aire libre o sumergido en agua, remítalo a un centro de servicio.

No tire ni transporte agarrando el cable, no use el cable como asa, no cierre puertas encima del cable ni pase el cable por bordes o esquinas afiladas. No pase el aparato por encima del cable.

Mantenga el cable alejado de superficies calientes.

No desenchufe tirando del cable. Para desenchufar, agarre el enchufe, no el cable.

No manipule el cargador, el enchufe del cargador y los terminales del cargador con las manos mojadas.

No coloque ningún objeto en las aberturas. No lo utilice si tiene alguna abertura bloqueada; manténgalo libre de polvo, pelusas, cabello y cualquier material que pueda reducir el flujo de aire.

Mantenga el cabello, la ropa holgada, los dedos y todas las partes del cuerpo alejados de las aberturas y las piezas móviles.

Tenga mucho cuidado cuando limpie escaleras.

No lo use para limpiar líquidos inflamables o combustibles, como gasolina, ni lo use en zonas donde puedan estar presentes.

No limpie nada que se esté quemando o humeando, como cigarrillos, cerillas o cenizas calientes.

No lo utilice sin la compartimento de polvo o los filtros instalados.

Evite el encendido involuntario. Asegúrese de que el interruptor esté apagado antes de conectarlo a la batería, levantarlo o transportarlo. Transportar el aparato con el dedo apoyado en el interruptor o energizar el aparato con el interruptor encendido puede causar accidentes.

Desconecte la batería del aparato antes de realizar cualquier ajuste, cambiar accesorios o almacenar el aparato. Estas medidas preventivas de seguridad reducen el riesgo de encender por accidente el aparato.

Recargue sólo con el cargador especificado por el fabricante. Un cargador adecuado para un tipo de batería puede provocar riesgo de incendio si se utiliza en otra batería.

Use sus aparatos sólo con las baterías específicamente indicadas.

El uso de cualquier otra batería puede provocar riesgo de lesiones e incendio.

Cuando la batería no esté en uso, manténgala alejada de objetos metálicos, como clips de papel, monedas, llaves, clavos, tornillos u otros objetos metálicos pequeños que pueden provocar la conexión de los terminales. Un cortocircuito en los terminales de la batería puede provocar quemaduras o incendios.

Bajo condiciones abusivas, puede haber fugas de líquido en la batería; evite el contacto. Si ocurre contacto accidental, enjuague con agua. Si el líquido entra en contacto con los ojos, busque atención médica. El líquido derramado de la batería puede provocar irritación o quemaduras.

No utilice una batería o un aparato dañado o modificado. Las baterías dañadas o modificadas pueden tener un comportamiento impredecible que resulte en fuego, explosión o lesiones.

No exponga una batería o un aparato al fuego ni a temperaturas excesivas. La exposición al fuego o una temperatura superior a 130°C puede provocar explosiones.

Siga todas las instrucciones de carga y no cargue la batería o el aparato fuera del rango de temperatura indicado en las instrucciones. La carga incorrecta o a temperaturas fuera del rango indicado puede dañar la batería y aumentar el riesgo de incendio.

Remita el servicio a un técnico calificado que utilice únicamente idénticas piezas de repuesto. Esto asegurará que se mantenga la seguridad del producto.

No modifique ni intente reparar el aparato o la batería, excepto de la forma indicada en las instrucciones de uso y cuidado.

No utilice ni almacenamiento en ambientes muy calientes o fríos (por debajo de 0°C / 32°F o por encima de 40°C / 104°F). Cargue la aspiradora inalámbrica a temperatura de entre 0°C/32°F y 40°C/104°F.

Precaución:

Este dispositivo cumple con la Parte 15 de las Normas de la FCC / Innovación, Ciencia y Desarrollo Económico RSS(s) exentos de licencia de Canadá. El funcionamiento está sujeto a las siguientes dos condiciones: (1) este dispositivo no puede causar interferencias dañinas. (2) este dispositivo debe aceptar cualquier interferencia recibida, incluida la interferencia que pueda provocar un funcionamiento no deseado.

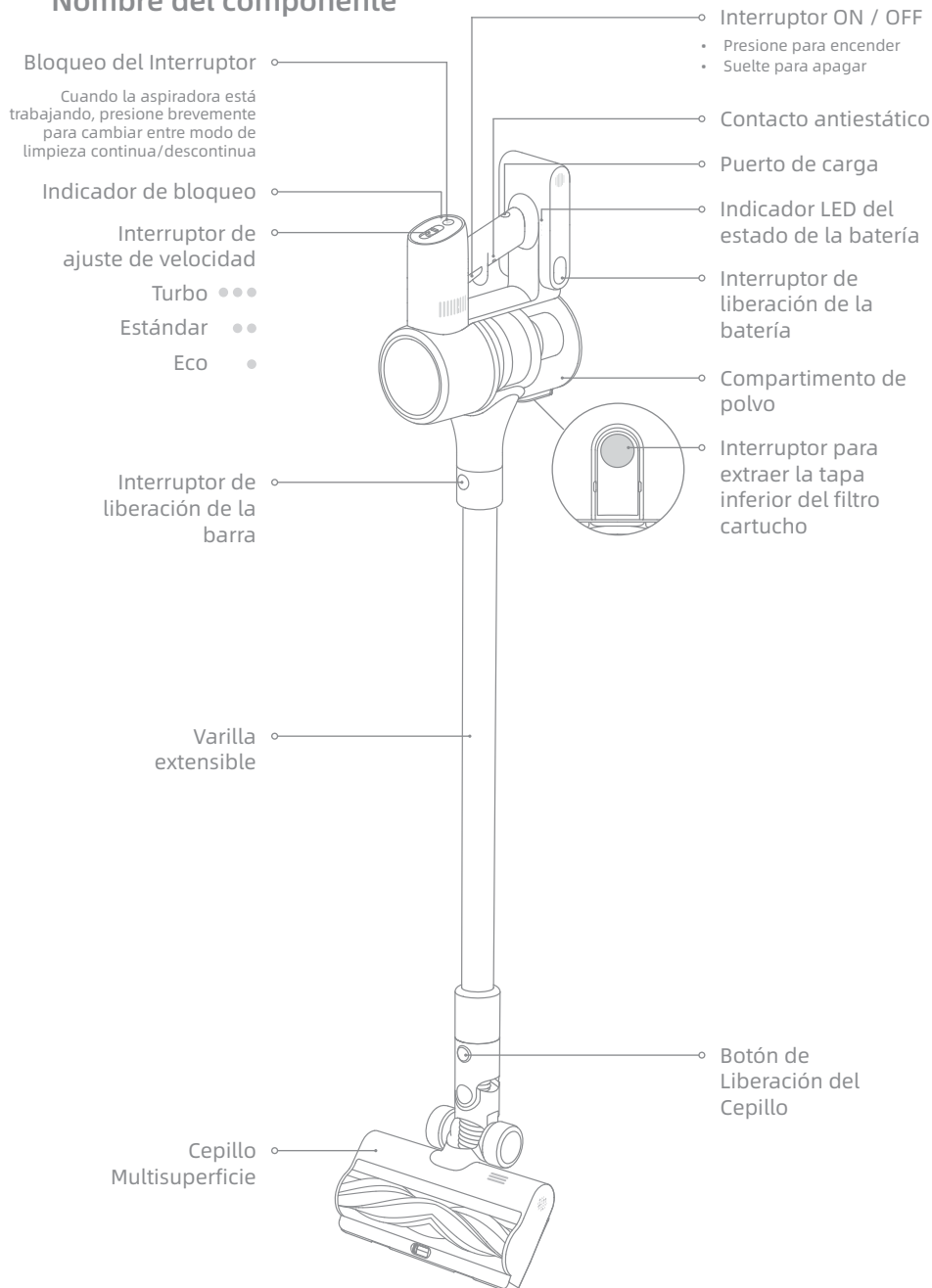
Cambios o modificaciones no aprobados expresamente por la parte responsable del cumplimiento podrían anular la autoridad del usuario para operar el equipo.

Este equipo ha sido probado y se determinó que cumple con los límites para un dispositivo digital de Clase B, de conformidad con la parte 15 de las Normas de la FCC. Estos límites están diseñados para brindar una protección razonable contra interferencias dañinas en una instalación residencial. Este equipo genera usos y puede irradiar energía de radiofrecuencia y, si no se instala y utiliza de acuerdo con las instrucciones, puede causar interferencias dañinas en las comunicaciones por radio. Sin embargo, no hay garantía de que no se produzcan interferencias en una instalación en particular. Si este equipo causa interferencias dañinas en la recepción de radio o televisión, lo que se puede determinar con apagar y encender el equipo, se recomienda que el usuario intente corregir la interferencia mediante una o más de las siguientes acciones.

---	Corriente continua
~	Corriente alterna

Descripción del producto

Nombre del componente

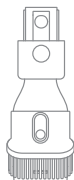


Descripción del producto

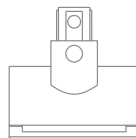
Lista de accesorios



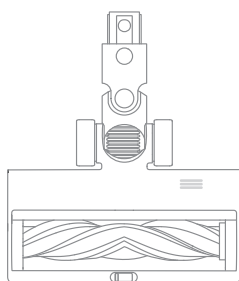
Varilla extensible



Herramienta de
Combinación Ancha



Mini-Cepillo Motorizado



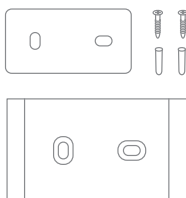
Cepillo Multisuperficie



Herramienta de
Combinación Flexible



Cargador



Montaje en Pared

(incluidos tornillos × 2, enchufe de pared × 2 y
adhesivo de plantilla de montaje)

Nota: La imagen es solo de referencia, el objeto real no necesariamente se relaciona con la imagen.

Montaje

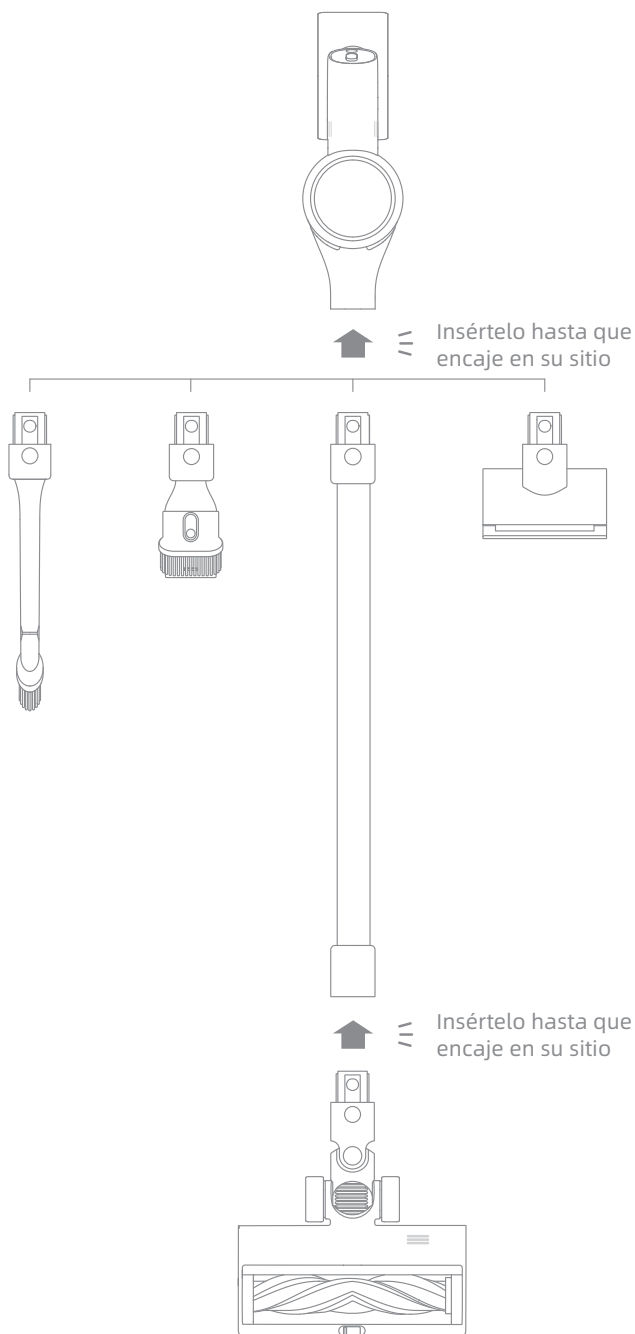
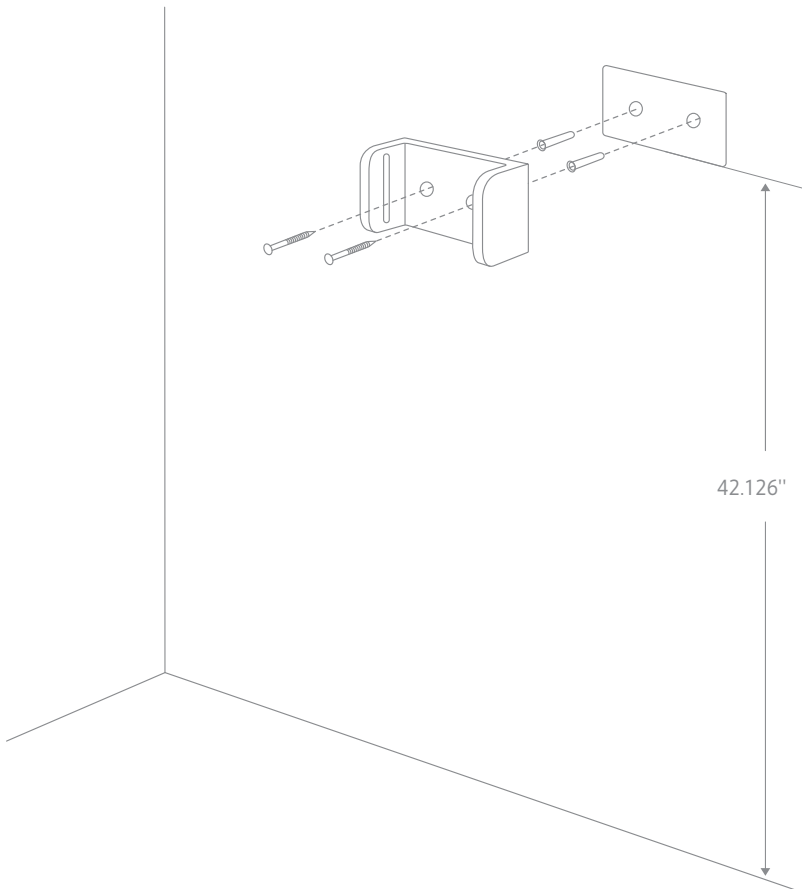


Diagrama de Instalación de Montaje en Pared

1. Pegue el adhesivo de plantilla de montaje en la pared. El borde inferior del adhesivo de plantilla de montaje debe estar paralelo y a unos 42,126" del suelo.
2. Utilice un taladro eléctrico con una broca de 0,315" para hacer un orificio en cada marcador de la pegatina de la plantilla de montaje y, a continuación, inserte un taco en cada orificio.
3. Alinee los orificios del montaje con los orificios en la pared. Fíjelo a la pared con los tornillos provistos.



Nota:

- El montaje en pared es un accesorio opcional. Puede instalarlo según sus necesidades.
- El montaje en pared debe instalarse en una superficie fría y seca con un tomacorriente cerca. Antes de la instalación, asegúrese de que no haya cables ni tuberías eléctricas en el espacio directamente detrás de la posición de instalación.

Carga

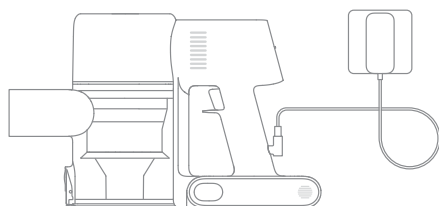
Cargue completamente la aspiradora antes de usarla por primera vez.

Nota:

- Esto puede tardar unas 3,5 horas.
- Si se aspira en modo turbo durante un período prolongado, la batería se calentará. Se recomienda dejar que el aspirador se enfríe durante 30 minutos antes de cargarlo de nuevo.

Modos de carga

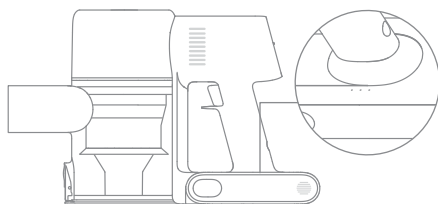
Cargar la aspiradora con el cargador



Indicador LED del estado de la batería

- ● ☀ Batería baja
- ☀ ○ Batería media
- ☀ ○ ○ Casi cargada
- ○ ○ Totalmente cargada

- Apagado ☀ Intermitente ○ Encendido



Nota: Una vez que el aspirador esté completamente cargado, el indicador se apagará 5 minutos más tarde y el aspirador entrará en el modo de ahorro de energía.

Modo de Uso

Modo de limpieza

El aspirador incluye dos modos de trabajo que se pueden seleccionar según sus necesidades de limpieza.

Modo 1: Modo de limpieza discontinua

Mantenga pulsado el interruptor de la aspiradora para comenzar a funcionar y suéltelo para que se detenga.



Modo 2: Modo de limpieza continua (Bloqueo del Interruptor)

Toque el bloqueo del interruptor para cambiar al modo de limpieza continua cuando el aspirador está funcionando. Luego suelte el interruptor de encendido/apagado para hacer que el aspirador entre en el Modo de Limpieza Continua.

Use la función de bloqueo del interruptor para liberar sus dedos y evitar el cansancio causado por mantener pulsado el interruptor.



Nota:

- En este modo, el indicador de bloqueo quedará iluminado de manera constante.
- Vuelva a tocar el bloqueo del interruptor para salir del Modo de Limpieza Continua.

Modo de uso

Uso de los diferentes accesorios

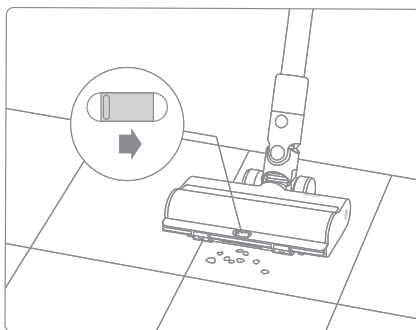
Cepillo Multisuperficie

Apta para limpiar alfombras de pelo mediano/corto, azulejos y pisos en general.

Para aspirar partículas grandes al cambiar el switch en el cepillo, tales como granos de café, hojuelas de maíz, etc.

Nota:

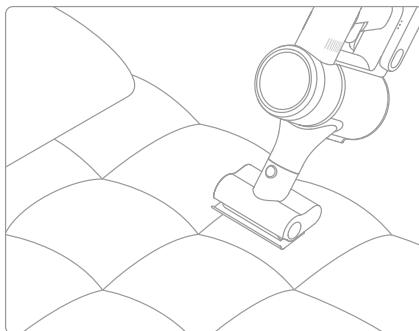
- El cepillo multisuperficie se puede acoplar directamente al aspirador.
- Cuando el aparato se arranca, las luces en frente del cepillo del rodillo se encenderán automáticamente, lo cual es conveniente para su uso.



Mini-Cepillo Motorizado

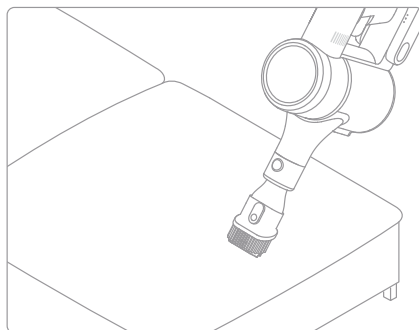
Para aspirar la suciedad, los pelos de mascota y otros restos resistentes de los sofás, la ropa de cama y otras superficies de tela.

Nota: No se recomienda pasar la aspiradora por superficies que puedan engancharse, como la seda.



Herramienta de Combinación Ancha

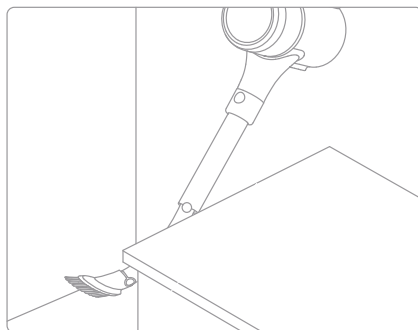
Para aspirar cortinas, sofás, teclados, techos, interiores de vehículos, mesas de café, etc.



Modo de uso

Herramienta de Combinación Flexible

Cepillo-boquilla plegable y retráctil, más flexible para aspirar en grietas estrechas.

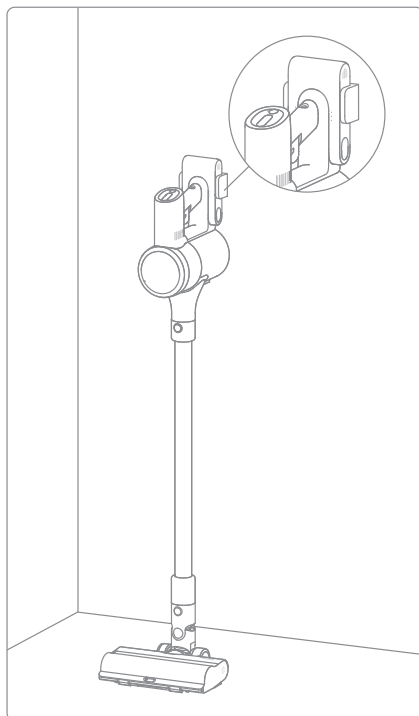


Montaje en Pared

El aspirador se puede colocar en el montaje en pared cuando no está en uso.

Nota:

- No ponga el aspirador solo en el montaje en pared.
- Colóquelo en el montaje en pared después de conectarlo con la varilla de extensión y el cepillo multisuperficie.



Nota:

- Si alguna pieza giratoria se queda atascada, la aspiradora podría apagarse de forma automática. Extraiga los objetos extraños que se hayan quedado atascados y reanude el uso.
- Si el motor funciona a temperaturas demasiado elevadas, la aspiradora se apagará automáticamente. Espere a que la temperatura de la batería vuelva a ser normal y, a continuación, reanude el uso.

Cuidado y mantenimiento

Advertencia

- Utilice siempre piezas originales para evitar que se anule la garantía.
- Si el filtro o la boquilla se obstruye, el aspirador dejará de funcionar poco después de encenderse. Para restaurar la funcionalidad, limpie el filtro o la boquilla.
- Si no va a utilizar la aspiradora durante un largo periodo de tiempo, cárguela completamente, desenchúfela de la corriente y guárdela en un lugar fresco, seco y protegida de la luz solar. Para evitar que la batería se descargue en exceso, recargue la aspiradora al menos una vez cada tres meses.

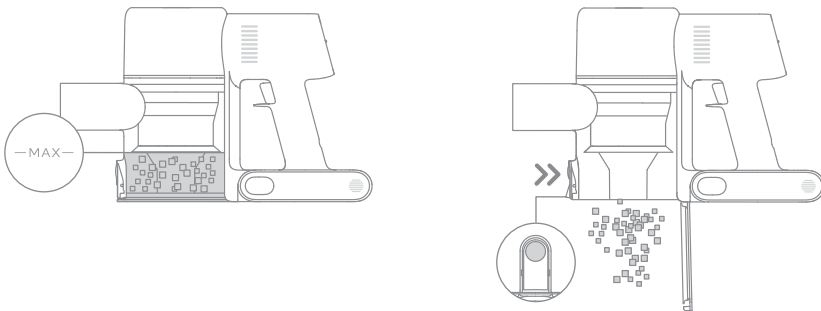
Limpieza de la aspiradora

Limpie la aspiradora con un trapo seco y suave.

Limpieza del compartimento para el polvo, el prefiltro y el separador ciclónico

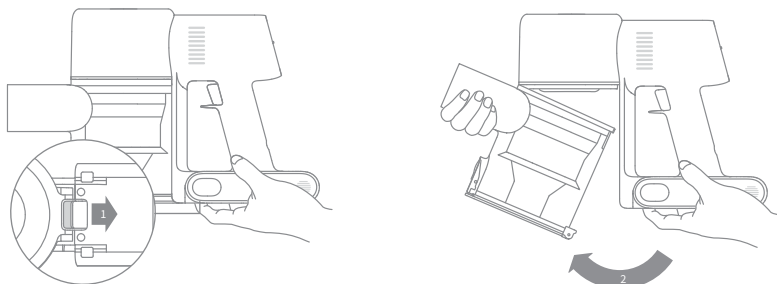
La capacidad de limpieza de la aspiradora se verá reducida en caso de que el compartimento para el polvo esté lleno y alcance la marca de "MAX". Para que recupere su rendimiento, vacíe el compartimento para el polvo de manera oportuna. Antes de vaciar el compartimento, asegúrese de que la aspiradora está desconectada de la corriente y no pulse el interruptor de encendido.

1. Pulse el interruptor para extraer la tapa inferior del compartimento de polvo y vacíe el contenido.

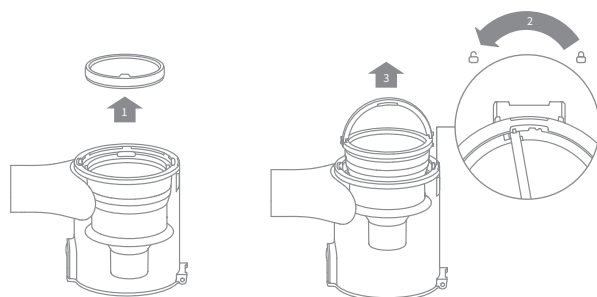


Cuidado y mantenimiento

2. Mueva el interruptor de liberación del compartimento para el polvo en la dirección indicada por la flecha y retire suavemente el compartimento de polvo de la aspiradora.

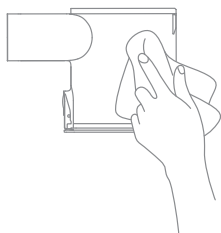


3. Quite primero el prefiltro, luego levante el mango del ciclón y gire en sentido contrario a las agujas del reloj hasta que se detenga, por último, tire para sacar el separador ciclónico.



Cuidado y mantenimiento

4. Limpie el depósito de polvo con un paño húmedo suave. Recuerde escurrir el paño antes de usarlo.



Para reducir el riesgo de descarga eléctrica, no enjuague el depósito de polvo con agua.

5. Enjuague el prefiltro y el separador ciclónico hasta que estén limpios. Después del lavado, séquelos al aire por al menos 24 horas.



Separador
ciclónico

Prefiltro

Nota:

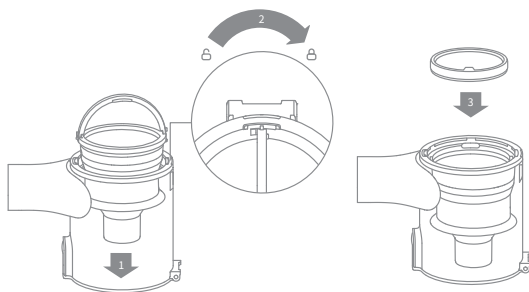
- Debe enjuagar el compartimento de polvo al menos una vez al mes.
- Se recomienda limpiar el prefiltro, como mínimo, una vez cada 3 meses y el sistema ciclónico una vez cada 6 meses.

Cuidado y mantenimiento

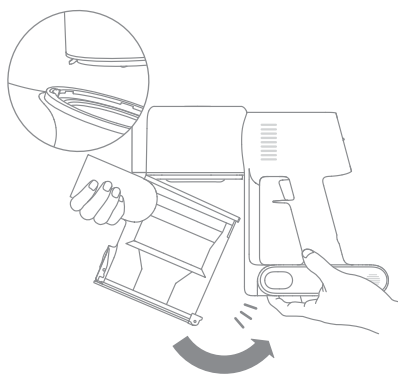
Instalación del compartimento para el polvo, el prefiltro y el separador ciclónico.

1. Inserte verticalmente el ciclón en el compartimento de polvo y asegúrese de que el mango está alineado con la ranura del lado izquierdo del compartimento de polvo. Gire el mango en el sentido de las agujas del reloj hasta que esté fijo. Luego baje el mango.

2. Coloque el prefiltro dentro del separador ciclónico, con la parte frontal mirando hacia arriba.



3. Incline ligeramente el compartimento de polvo para que sus ranuras queden alineadas con la pestaña de la aspiradora. Luego presione suavemente sobre el compartimento de polvo hasta que encaje en su sitio.

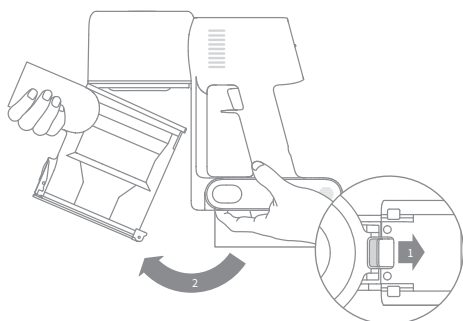


Cuidado y mantenimiento

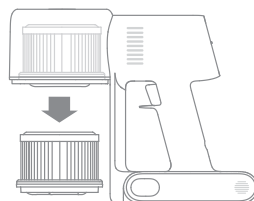
Limpeza del filtro

Se recomienda limpiar el filtro una vez cada 4 o 6 meses.

1. Extraiga el compartimento del polvo como se indica en la imagen.



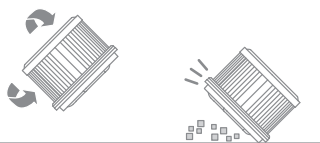
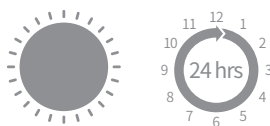
2. Extraiga el filtro de la aspiradora tirando hacia abajo, en la dirección que se muestra en la imagen.



3. Limpie el filtro con agua limpia. Asegúrese de girar el filtro 360° para quitar toda la suciedad del filtro. Golpee suavemente el filtro varias veces para extraer cualquier exceso de suciedad.



4. Deje secar el filtro durante, al menos, 24 horas.



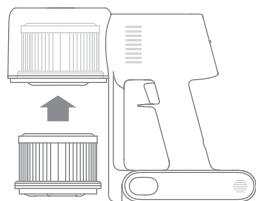
Nota:

- Utilice únicamente agua limpia para limpiar el filtro. No utilice detergentes.
- No intente limpiar el filtro con un cepillo ni con los dedos.

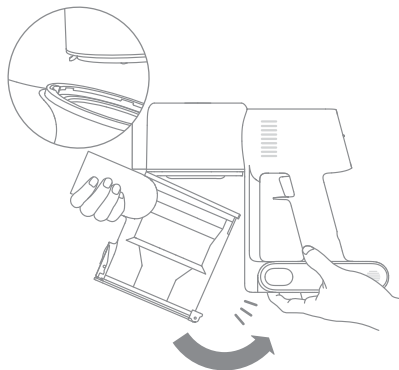
Cuidado y mantenimiento

Instalación del filtro

1. Inserte el filtro en la aspiradora y presione suavemente hacia abajo, como se indica en la imagen.



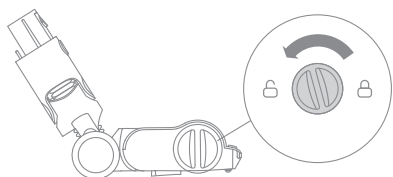
2. Vuelva a instalar el compartimento de polvo.



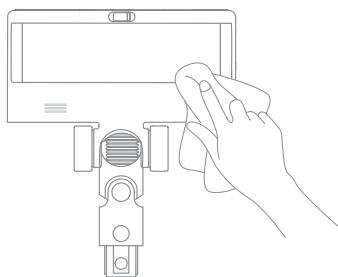
Cuidado y mantenimiento

Limpiar el Cepillo Multisuperficie

1. Gire el bloqueo en sentido contrario a las agujas del reloj hasta que se detenga, luego quite el rodillo.



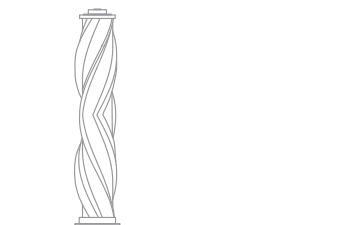
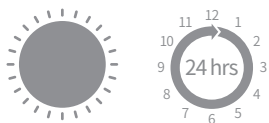
2. Utilice unas tijeras para cortar los pelos y las fibras que se atascan en el rodillo. Elimine el polvo de la muesca y la tapa transparente con un paño seco o una toalla de papel. Seque bien antes de utilizar.



3. Cuando está sucio, enjuague el rodillo con agua limpia hasta que esté limpio.



4. Coloque el rodillo en posición vertical durante al menos 24 horas hasta que esté completamente seco.



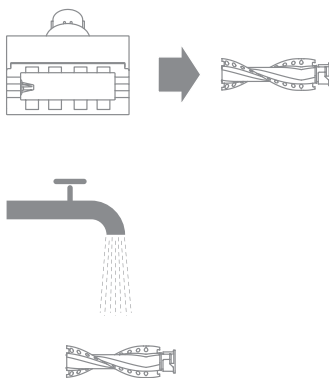
Cuidado y mantenimiento

Limpiar el Mini Cepillo Motorizado

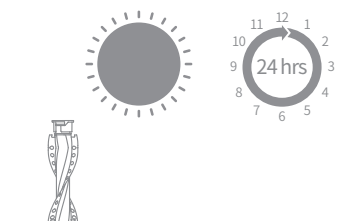
1. Utilice una moneda para girar el cierre en sentido contrario a las agujas del reloj, hasta que oiga un clic.



2. Tras desbloquear el minicepillo motorizado, quite el rodillo, luego enjuáguelo y límpielo.



3. Coloque el rodillo en posición vertical en un área bien ventilada durante al menos 24 horas hasta que esté completamente seco.



4. Una vez que el rodillo esté seco, vuelva a instalarlo siguiendo los pasos de desmontaje al revés.

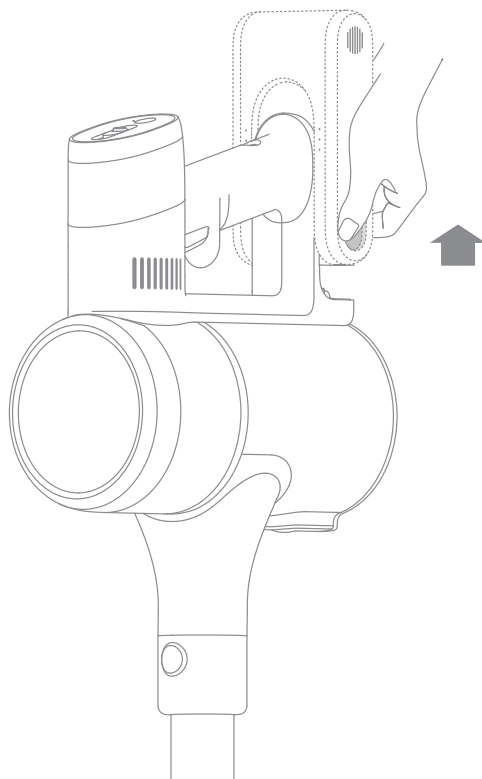


Cuidado y mantenimiento

Pack de batería

La aspiradora contiene un pack de batería de ion de litio recargable y extraíble que cuenta con un número limitado de ciclos de recarga. Tras un uso prolongado, el pack de batería dejará de poder realizar una carga. Si esto ocurre, significará que el pack de batería ha alcanzado el fin de su vida útil y deberá sustituirlo.

1. Pulse el botón de liberación del pack de batería y deslícelo hacia la derecha para sacarlo, como se muestra en la imagen.
2. Instale el nuevo pack de batería.



Especificaciones

Aspiradora			
Modelo	VTV22B		
Tensión de carga	30 V=---	Tensión nominal	25,2 V=---
Potencia nominal	350 W	Tiempo de carga	aproximadamente 3,5 horas
Mini-Cepillo Motorizado			
Modelo	VMM4		
Potencia nominal	20 W	Tensión nominal	25,2 V=---
Cepillo Multisuperficie			
Modelo	VMB3		
Potencia nominal	40 W	Tensión nominal	25,2 V=---
Cargador			
Modelo	YLS0251B-T300080		
Entrada	100-240 V ~ 50/60 Hz 0,8 A max	Salida	30 V=--- 0,8 A
Paquete de batería de ion de litio recargable			
Modelo	V2309-7S1P-BCA		
Tensión nominal	25,2 V=---	Capacidad nominal	2500 mAh
Capacidad real	2400 mAh	Energía	60,48 Wh

Preguntas frecuentes

Si el aspirador no funciona correctamente, consulte la siguiente tabla de posibles soluciones.

Averías comunes	Posible causa	Solución
La aspiradora no funciona.	No tiene batería o le queda poca.	Cargue completamente la aspiradora y reanude el uso.
	Activa el modo de protección contra sobrecalentamiento debido a una obstrucción.	Espere hasta que el aspirador se enfríe, luego reactivélo.
	La abertura de succión o el conducto de aire está bloqueado.	Limpie cualquier obstrucción de la abertura de succión o del conducto de aire.
La potencia de succión disminuye.	El compartimento de polvo está lleno y/o el filtro está obstruido.	Vacíe el depósito del polvo y limpie el conjunto del filtro.
	El accesorio ensamblado está bloqueada.	Despeje cualquier bloqueo en el accesorio ensamblado.
El motor hace un ruido raro.	La abertura de succión principal o la varilla extensible está bloqueada.	Limpie cualquier obstrucción en la abertura de succión principal o en la Varilla extensible.
El primer indicador aparece rojo después de encender la aspiradora.	El pack de batería está dañado.	Póngase en contacto con el servicio posventa para concertar una cita de mantenimiento.
El primer indicador parpadea en rojo al cargar la aspiradora.	El cargador no es compatible.	Utilice únicamente el cargador original para cargar la aspiradora.

Preguntas frecuentes

Errors	Possible Causes	Solutions
El indicador de batería no se enciende durante la carga.	El cargador no está conectado a la aspiradora.	Asegúrese de que el cargador esté bien conectado.
	La batería está totalmente cargada y cambió al modo de suspensión.	Puede utilizar la aspiradora como de costumbre.
	Si el problema persiste después de descartar las dos posibilidades anteriores.	Póngase en contacto con el servicio posventa para obtener ayuda.
La batería se carga lentamente.	La temperatura de la batería es demasiado alta o baja.	Espere a que la temperatura de la batería se normalice y reanude el uso.
Las luces LED del cepillo multisuperficie no funcionan.	Las luces LED están dañadas.	Póngase en contacto con el servicio posventa para obtener ayuda.

El pack de batería de ion de litio contiene sustancias perjudiciales para el medio ambiente. Antes de desechar la aspiradora, quite el pack de batería y deséchelo o recíclolo siguiendo las leyes y reglamentos locales del país o región en el que se use.