



# UMBRA VOID

HIGH PERFORMANCE  
360 MM ALL-IN-ONE  
ARGB WATER COOLER



QUICK INSTALL GUIDE

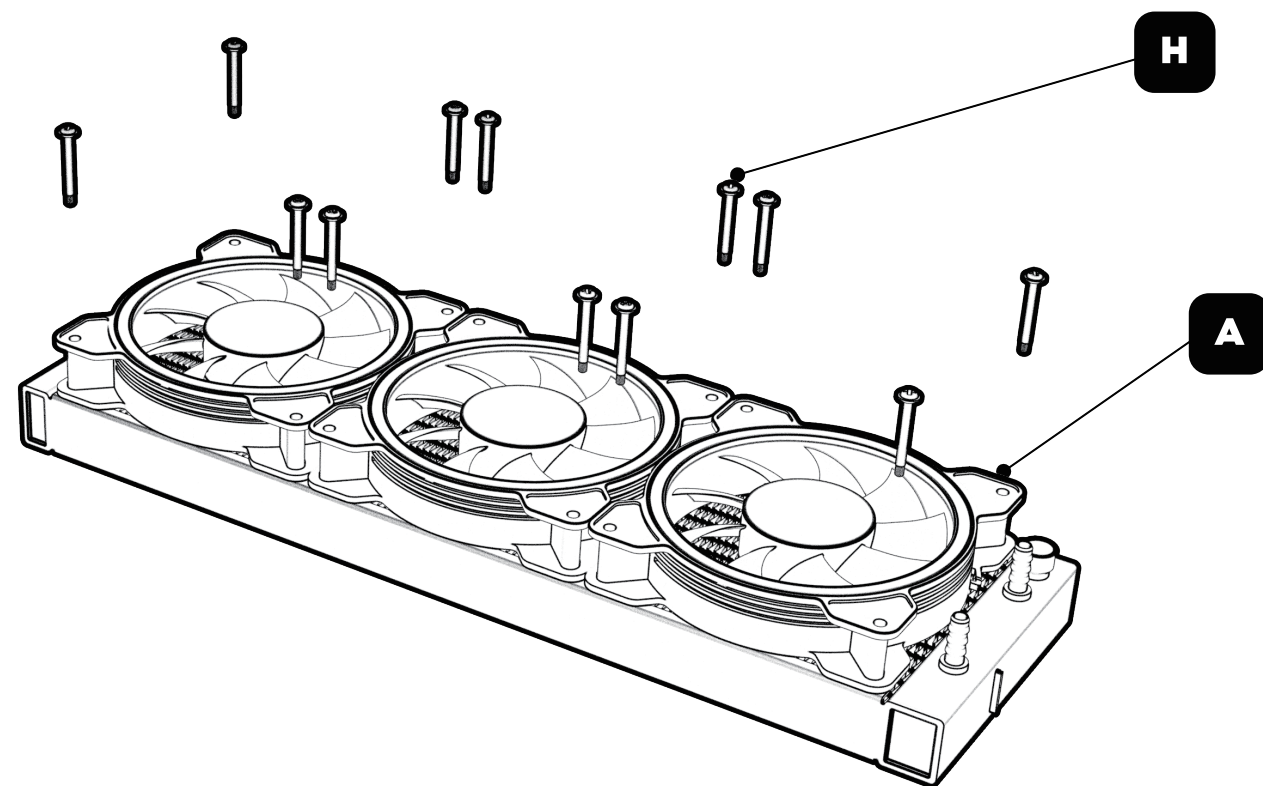
## 1 ACCESSORY PACK CONTENTS

<b>3</b>  Radiator Fan (A)	<b>1</b>  Intel Fastener (B)	<b>1</b>  AMD Fastener (C)	<b>1</b>  Intel Bracket (D)
<b>4</b>  Intel 2011 Screws (E)	<b>4</b>  Intel 115X/1200/1700 Screws (F)	<b>4</b>  AMD 1/2/3/4/5 Screws (G)	<b>12</b>  Fan Screws (H)

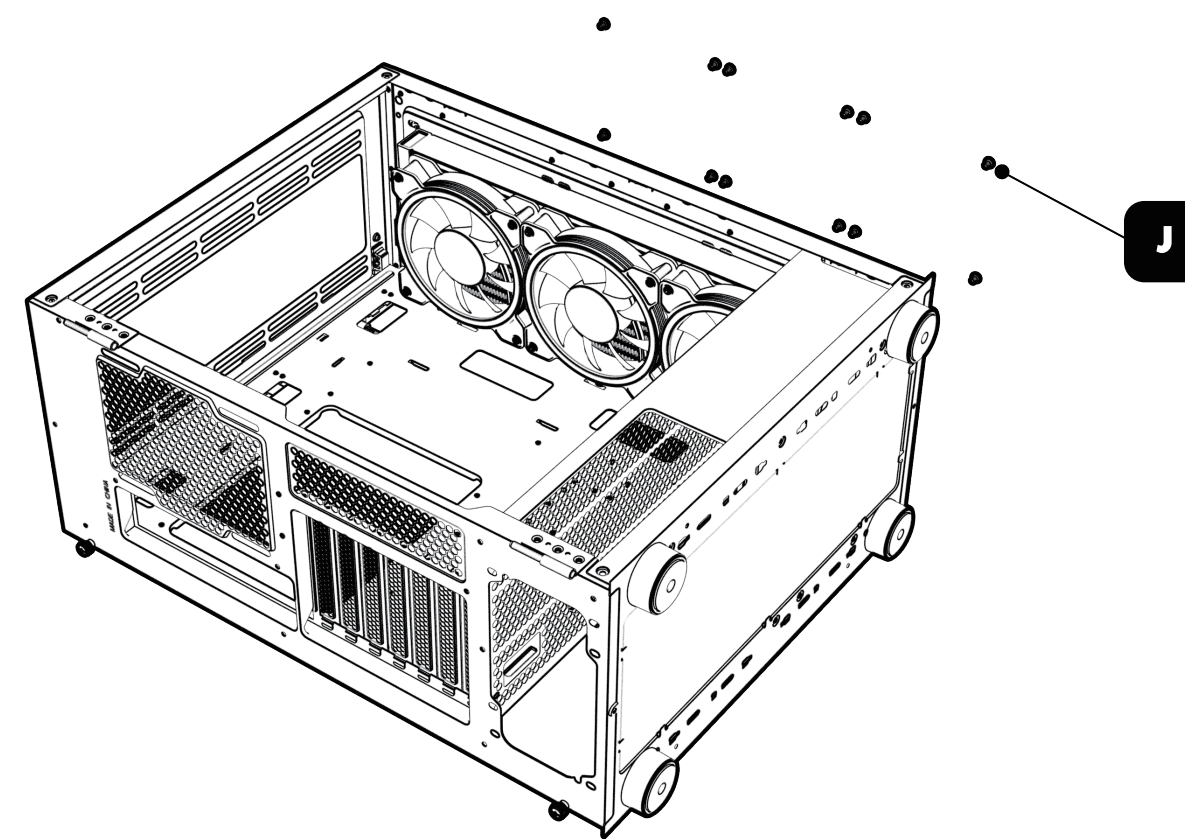
## 2 ACCESSORY PACK CONTENTS

<b>4</b>  AMD/Intel Nuts (I)	<b>12</b>  Radiator Screws (J)	<b>1</b>  Thermal Paste (K)	<b>1</b>  Double Adhesive (L)
<b>1</b>  Power Cable (M)			

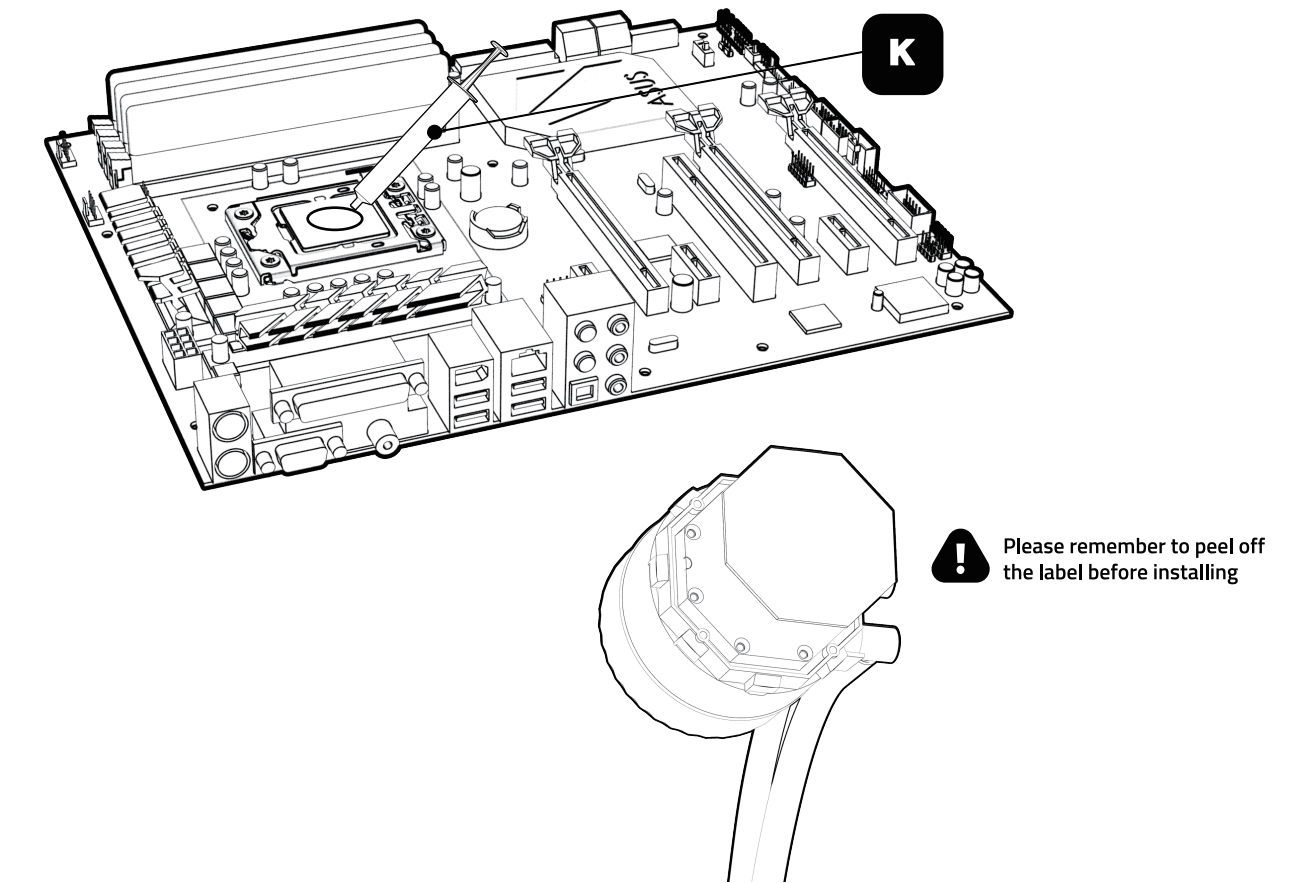
## 3 INTEL/AMD



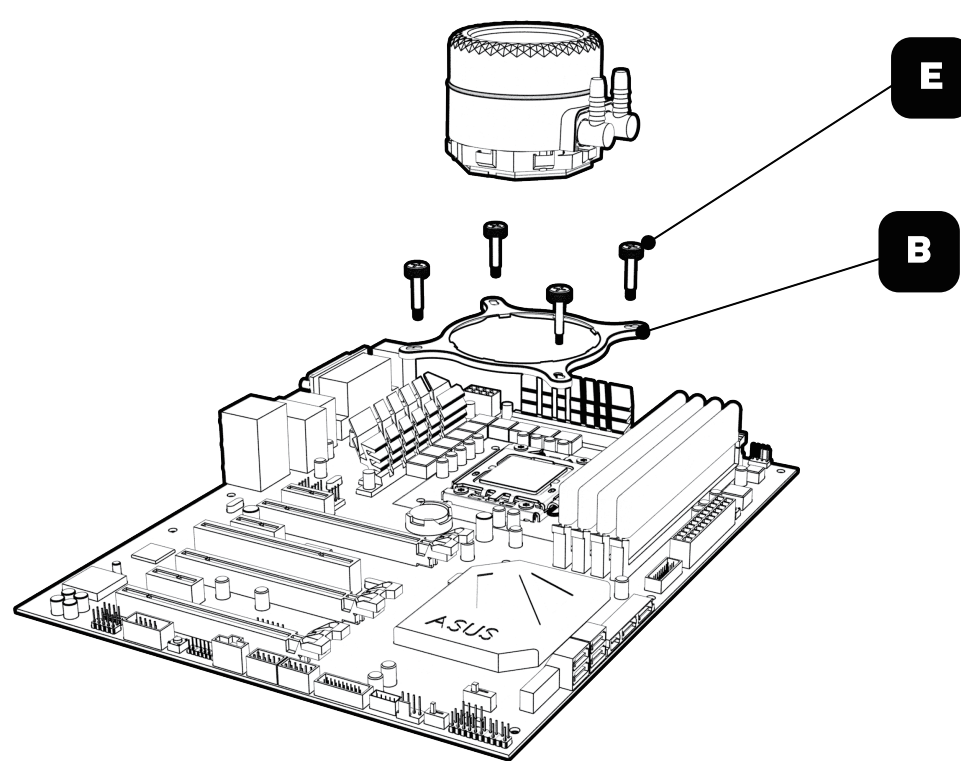
## 4 INTEL/AMD



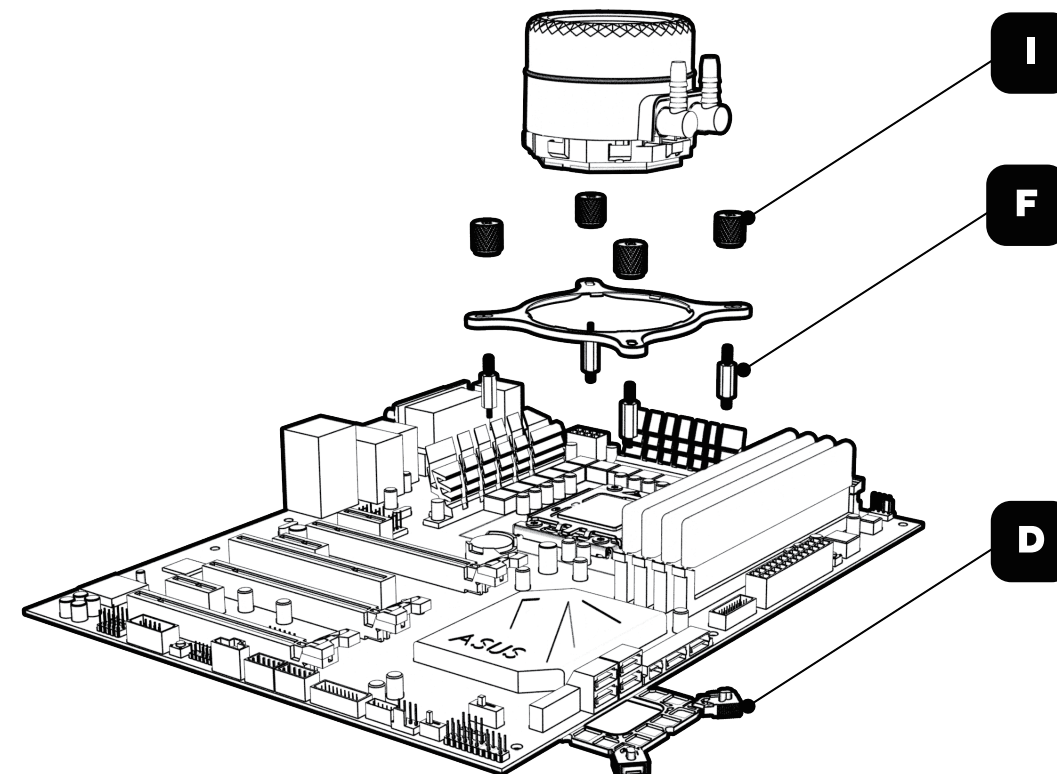
## 5 INTEL/AMD



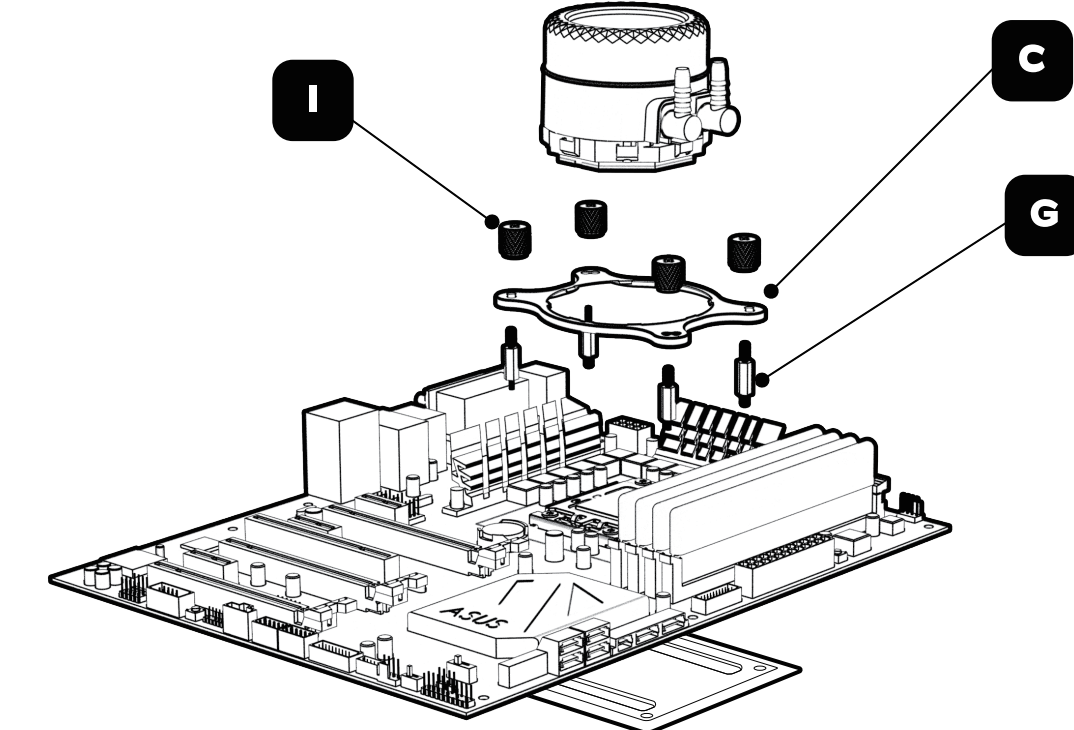
## 6 INTEL 2011



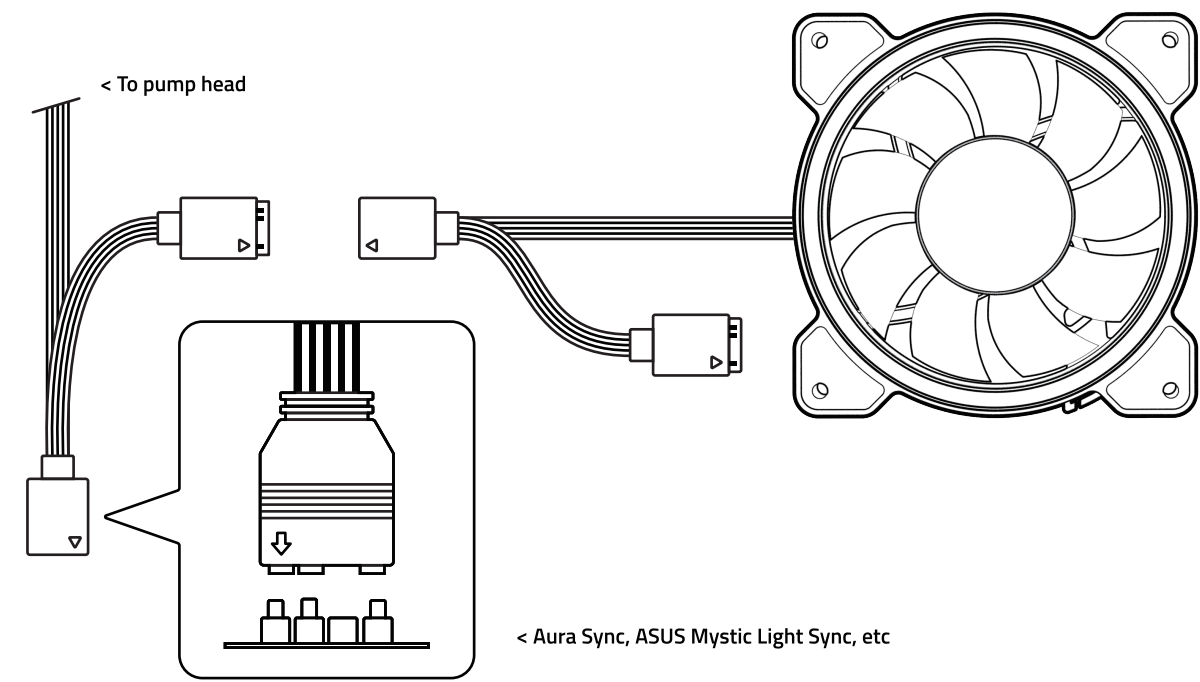
## 7 INTEL



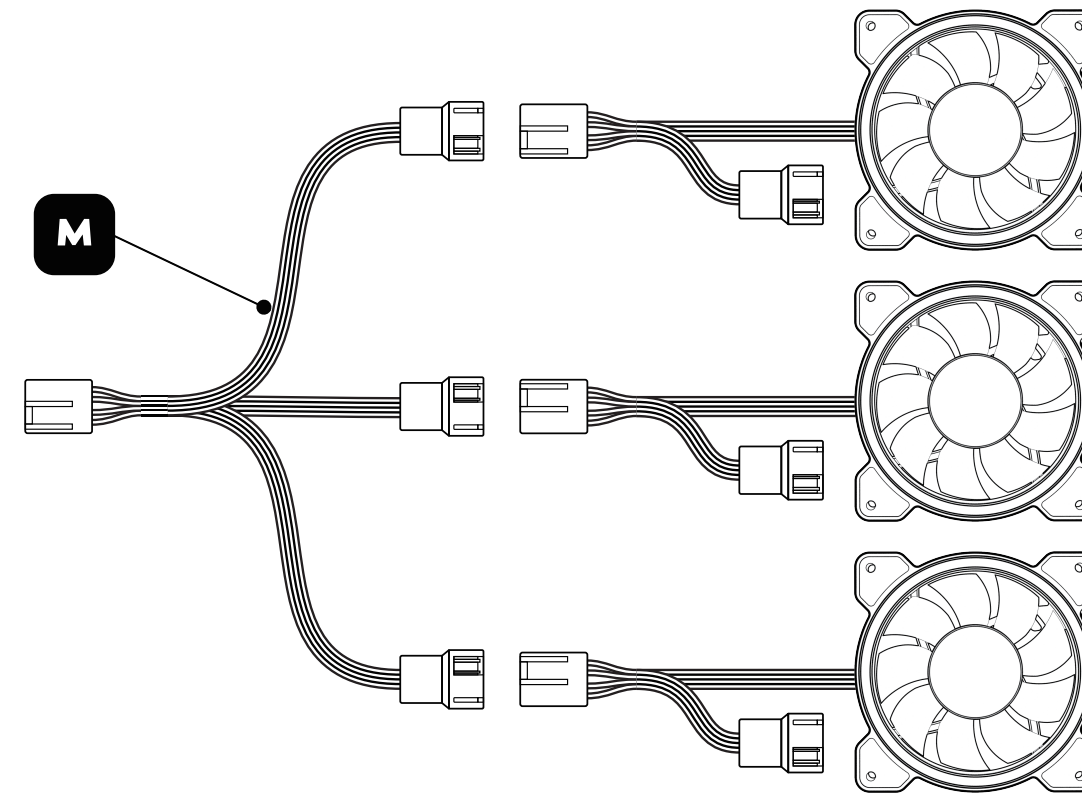
## 8 AMD



## 9 ARGB FUNCTION



## 10 FAN



Pro Gamersware GmbH  
Gaußstraße 1, 10589 Berlin, Deutschland  
info@gamersware.com  
+49(0)30 83797272  
www.kolink.eu | support@kolink.eu



The WEEE symbol indicates that this product must not be disposed of with normal household waste. Through the correct disposal of this product, you will help protect the environment. For more information on the disposal of this product, please contact your local municipality, your waste disposal service or the shop where you purchased the product.

