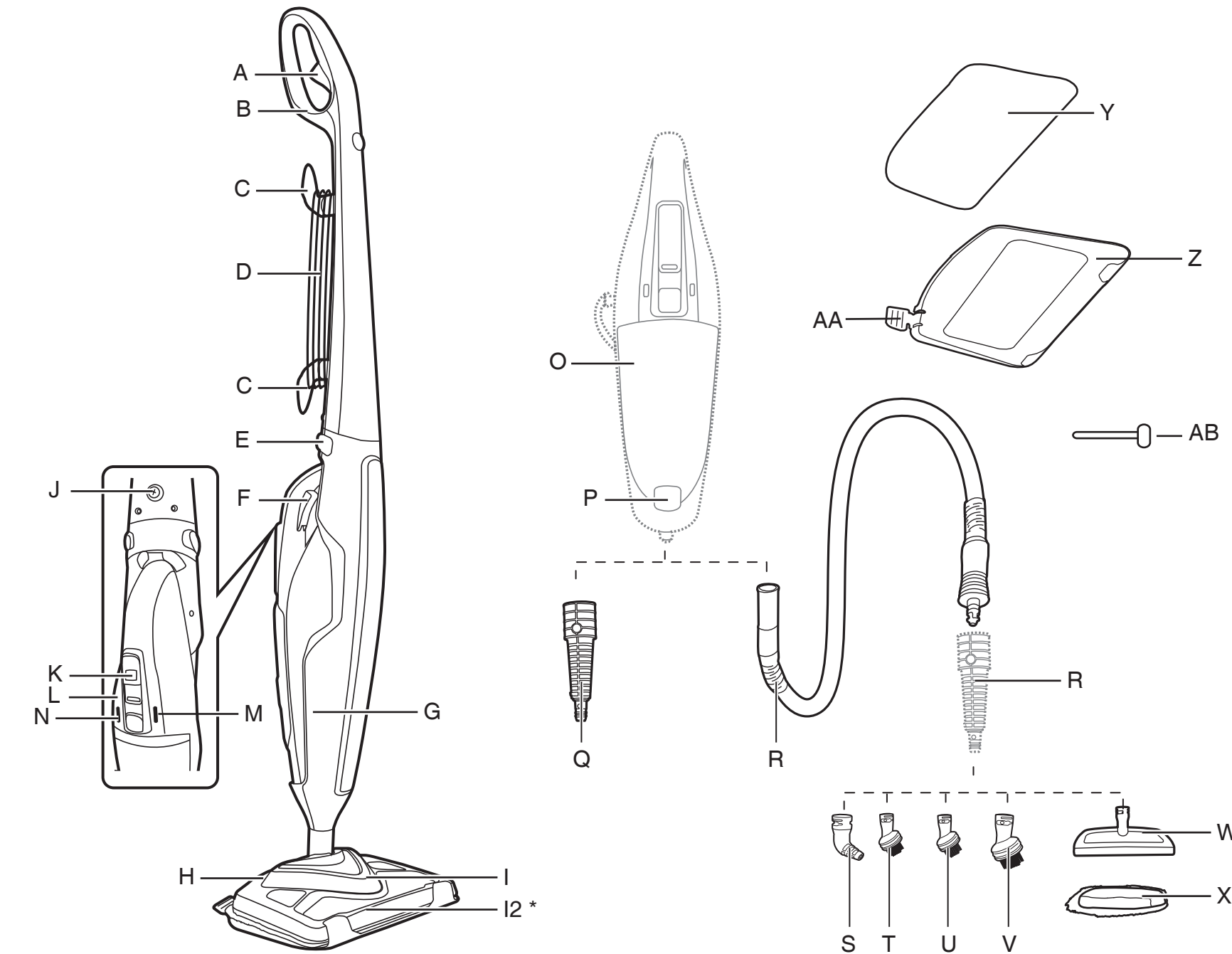


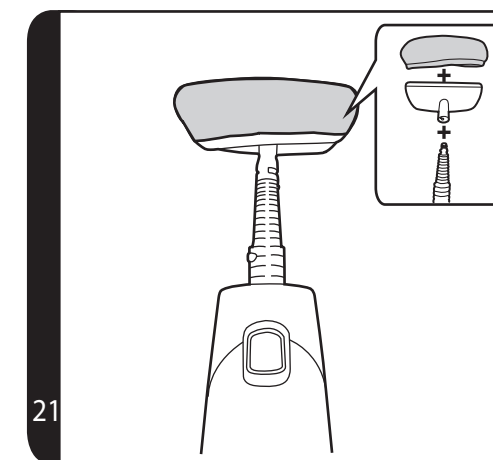
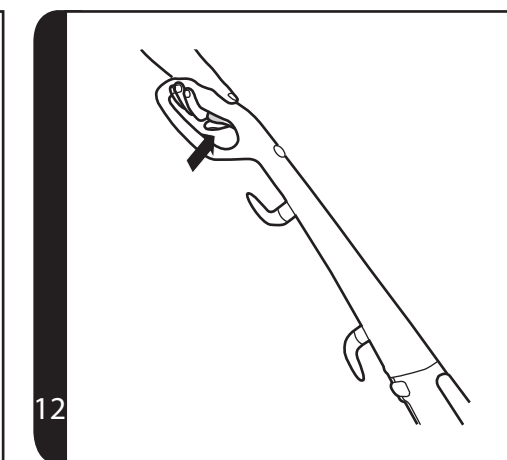
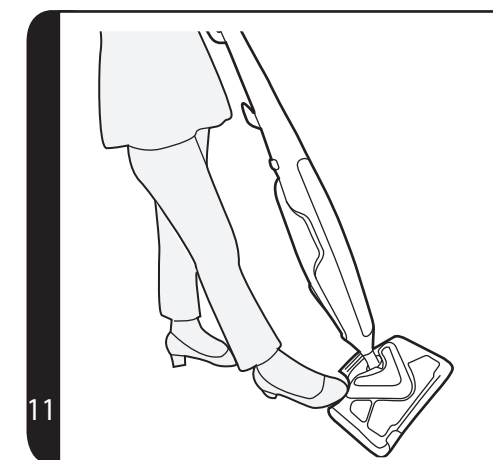
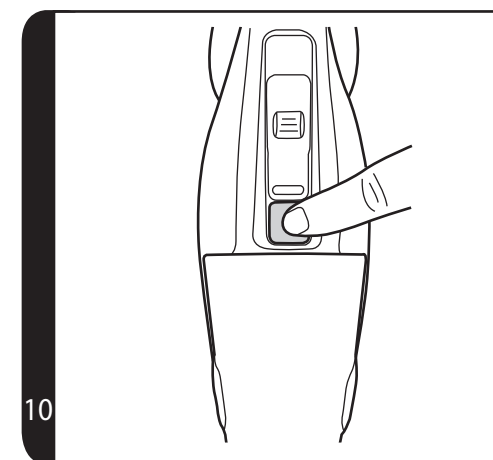
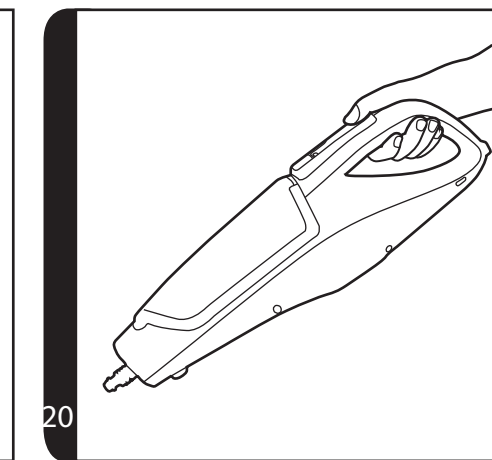
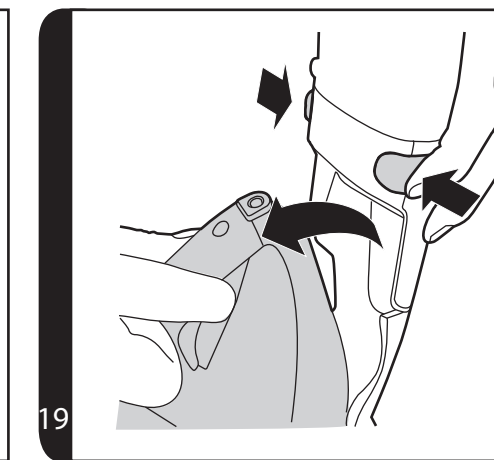
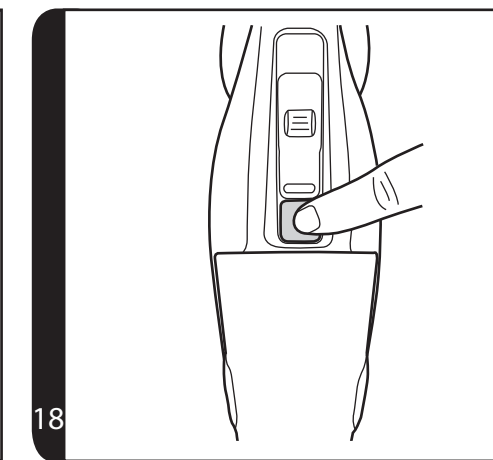
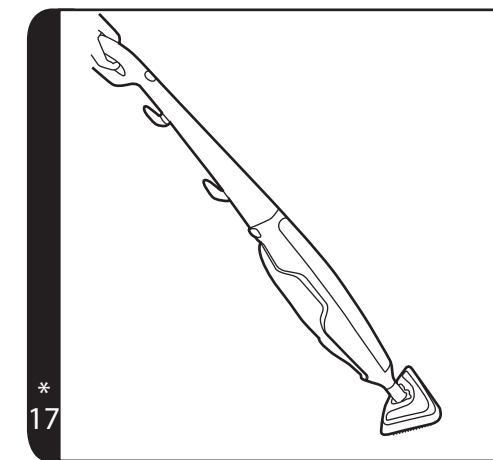
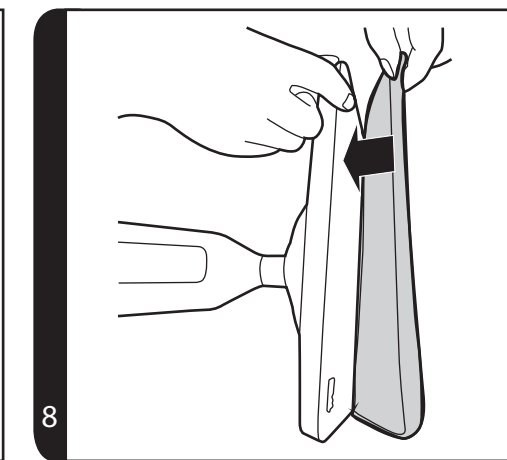
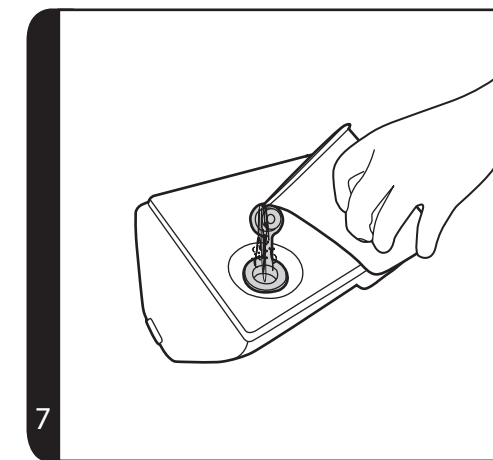
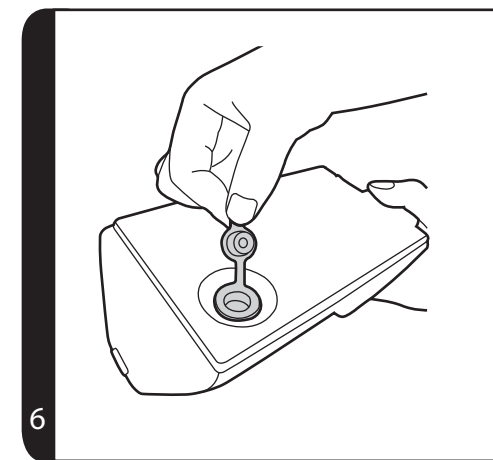
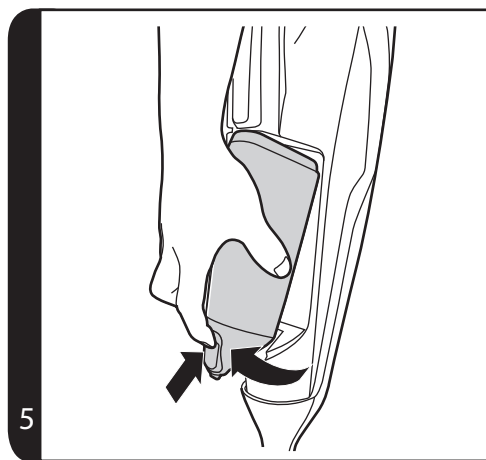
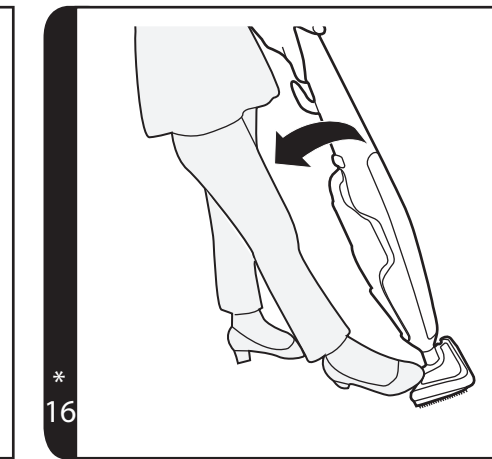
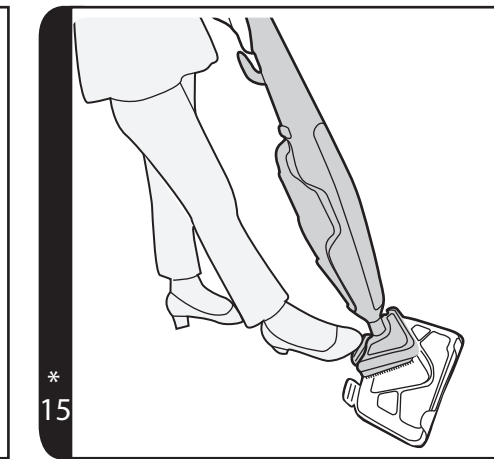
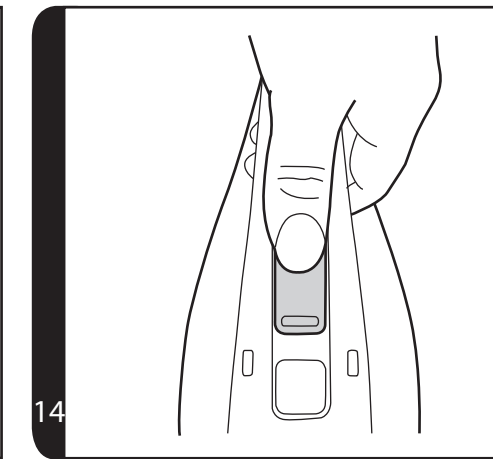
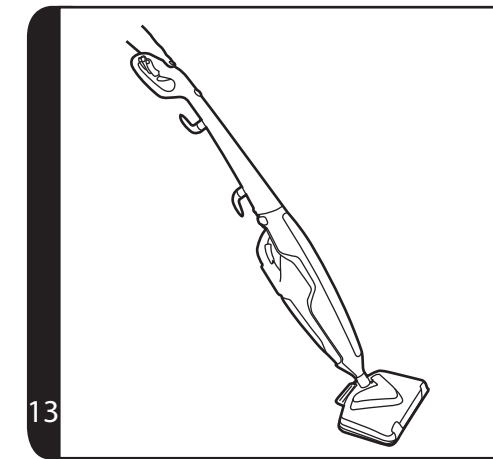
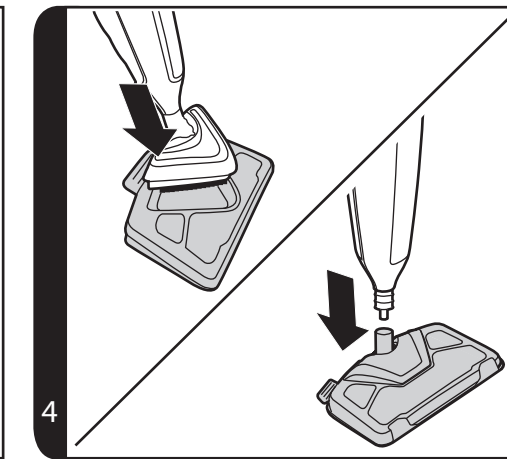
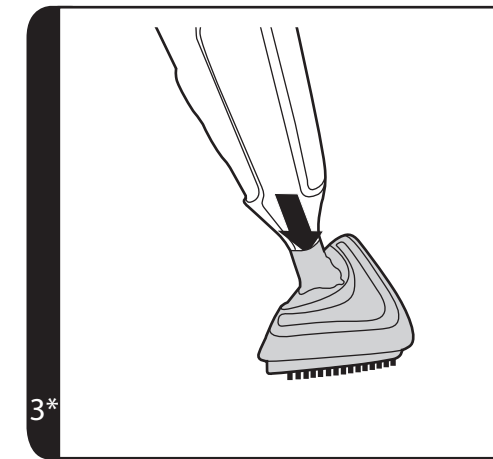
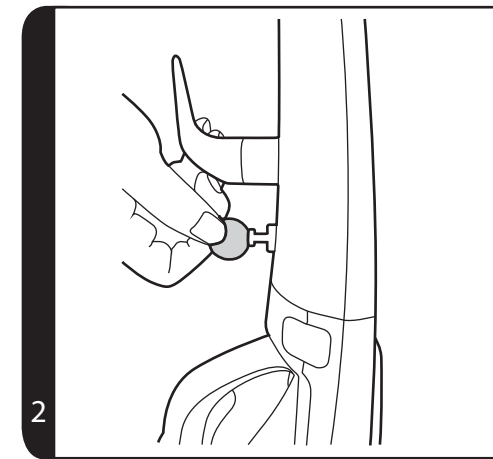
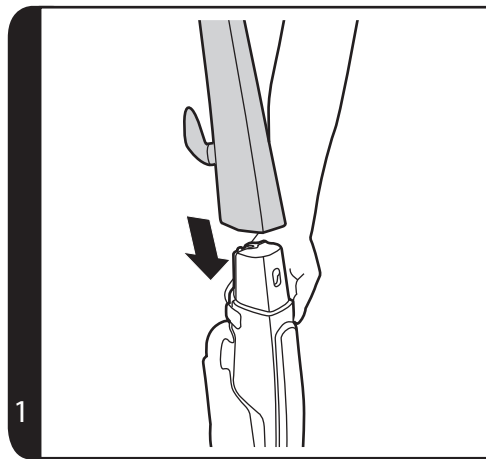


PRINTED IN P.R.C.
48017670/05

USER MANUAL (GB).....P 01
 MANUEL D'UTILISATION (FR)P 05
 BEDIENUNGSANLEITUNG (DE)P 09
 MANUALE ISTRUZIONI (IT)P 13
 GEBRUIKERSHANDLEIDING (NL)P 17
 MANUAL DE INSTRUÇÕES (PT)P 21
 MANUAL DE INSTRUCCIONES (ES)P 25
 BRUGERVEJLEDNING (DK)P 29
 BRUKSANVISNING (NO)P 33
 INSTRUKTIONSMANUAL (SE)P 37
 KÄYTTÖOHJE (FI)P 41
 ΟΔΗΓΙΕΣ ΧΡΗΣΕΩΣ (GR)P 45
 РУКОВОДСТВО ПОЛЬЗОВАТЕЛЯ (RU)P 49
 INSTRUKCJA OBSŁUGI (PL)P 53
 NÁVOD K OBSLUZE (CZ)P 57
 NAVODILA ZA UPORABO (SI)P 61
 KULLANIM KILAVUZU (TR)P 65
 دليل التعليمات (AR).....P 69



*Certain Models Only



*Certain Models Only

INSTRUCTIONS FOR SAFE USE

This appliance should only be used for domestic cleaning, as described in this user guide. Please ensure that this guide is fully understood before operating the appliance.

Do not leave the appliance plugged in. Always switch off and remove the plug from the socket after use, or before cleaning the appliance or any maintenance task.

This appliance can be used by persons with reduced physical, sensory or mental capabilities or lack of experience and knowledge if they have been given supervision or instruction concerning use of the appliance in a safe way and understand the hazards involved. Children shall not play with the appliance.

Keep the appliance out of reach of children when it is energized or cooling down.

The appliance is not to be used if it has been dropped, if there are visible signs of damage or if it is leaking.

If the power cord is damaged stop using the appliance immediately. To avoid a safety hazard, an authorised Hoover service engineer must replace the power cord.

This appliance must be earthed.

The appliance shall not be left unattended while it is connected to the supply mains.

Do not use your appliance out of doors.

Use only attachments, consumables or spares recommended or supplied by Hoover.

Do not use the appliance to clean or direct steam towards animals, people or plants.

Liquid or steam must not be directed towards equipment containing electrical components, such as the interior of ovens.

Unplug the cleaner and switch off before filling the water container. Do not fill over the MAX mark. The filling aperture must not be opened during use.



Danger of Scalding.



Surfaces are liable to get very hot during use. Avoid contact with steam.

Do not stand on or wrap the cord around arms or legs when using your appliance.

Do not position the appliance above you when cleaning the stairs.

When using the cleaning tools ensure to always steady the appliance with your other hand. This will ensure that the appliance does not fall while in use.

Do not handle the plug or appliance with wet hands.

Do not run over the power cord when using your appliance or remove the plug by pulling on the power cord.

Do not continue to use your appliance if it appears faulty.

Hoover service: To ensure the continued safe and efficient operation of this appliance we recommend that any servicing or repairs are only carried out by an authorised Hoover service engineer.

Do not immerse the appliance in water or other liquids.

Do not use detergents or liquids other than water inside the appliance.

For UK and Ireland only: This appliance has a 13 amp mains plug. If you need to change the fuse in the mains plug, use a 13amp ASTA (BS1362) fuse.

The Environment

The symbol on this appliance indicates that this appliance may not be treated as household waste. Instead it must be handed over to the applicable collection point for the recycling of electrical and electronic equipment. Disposal must be carried out in accordance with local environmental regulations for waste disposal. For more detailed information about treatment, recovery and recycling of this appliance, please contact your local city office, your household and waste disposal service or the shop where you purchased the appliance.



 This appliance complies with the European Directives 2014/35/EU, 2014/30/EU and 2011/65/EU.

CANDY HOOVER GROUP Srl Via Privata Eden Fumagalli, 20861 Brugherio (MB) Italy

GETTING TO KNOW YOUR CLEANER

- A. Steam Release Trigger
- B. Handle Assembly
- C. Upper&Lower Cord Storage Hooks
- D. Power Cord
- E. Handheld Release Button
- F. Handheld Steam Release Trigger
- G. Cleaner Main Body
- H. Triangular Brush Release Pedal
- I. Triangular Brush
- I2 Floor Head*
- J. Handle Fix Location
- K. Variable Steam Release Control Slider Low, Medium & High
- L. Power On Indicator Light (Metallic Red)
- M. Steam Ready Light (Green)
- N. Power On /Off Button
- O. Clean Water Tank
- P. Clean Water Tank Release Button
- Q. Conic Tool
- R. Hose
- S. Curved Nozzle
- T. Round Brush
- U. Small Metal Brush
- V. Big Metal Brush
- W. Window Squeegee
- X. Small Cloth
- Y. Textile Pad
- Z. Carpet Glider
- AA. Carpet Glider Release Pedal
- AB. Bolt

ASSEMBLING YOUR CLEANER

Remove all components from the packaging.

1. Line up the ergonomic handle to the main body of the cleaner and fix in position with the supplied Bolt. [1,2]
2. Assemble the main body of the cleaner to the Triangular Brush. [3]
3. Assemble the main body of the cleaner to the floor Head or assemble the Triangular Brush into the Floor Head*. [4]

*Certain Models Only

USING YOUR CLEANER

BEFORE YOU BEGIN CLEANING

1. Release the clean water tank by sliding the water release button upwards and remove tank from cleaner main body. [5]
2. Pull the cap on the Water Tank to open. [6]
3. Fill the clean water tank with cold tap water. Replace cap [7] and refit water tank. Do not add any chemicals, detergents or perfumes to the clean water tank.

NOTE: In order to significantly reduce mineral build-up and prolong the life of your steam mop the use of distilled or de-mineralized water in the unit is highly recommended.

4. Attach a Textile Pad to the base of the Floor Head. [8]

IMPORTANT: Always unplug the cleaner when adding water or changing a Textile Pad.

NOTE: Wash the Textile Pad prior to use to remove any lint.

STEAM CLEANING HARD FLOORS

NOTE: Always sweep or vacuum the floor prior to use to remove any loose dirt or debris.

IMPORTANT: Do not use the cleaner without a Textile Pad attached to the Floor Head.

NOTE: Do not use the Carpet Glider when cleaning hard floors.

1. Plug the steam cleaner into the main power. Press the power on/off button, the power on light (red) will illuminate.
2. After a few seconds the steam ready light (green) will illuminate indicating the cleaner is ready for use.
3. Recline the cleaner by placing a foot on the floor head and lowering the main body towards the floor. [11]
4. To produce steam press the Steam Trigger Button. [12]
5. Move the cleaner slowly backwards and forwards paying particular attention to high traffic areas. [13]
6. Variable steam release control are used to select Low, Medium or High volume of steam, depending on your specific cleaning requirement. [14]

Steam cleaning hard floor - intensive clean

Use the triangular floor brush for hard floors that require deep cleaning. Please note that there is no mop and the area will have to be dried separately.

NOTE: Always sweep or vacuum the floor prior to use to remove any loose dirt or debris.

1. Remove the triangular floor brush from the floor head by pressing the release pedal at the rear of the floor head. [15]
2. Plug the steam cleaner into the main power. The power on light (red) will illuminate. After a few seconds the green Steam Ready light will illuminate indicating the cleaner is ready for use.
3. Recline the cleaner by placing a foot on the floor brush and lowering the main body

towards the floor. [16]

4. To produce steam press the trigger release button. [12]
5. Variable steam release control are used to select Low, Medium or High volume of steam, depending on your specific cleaning requirement. [14]
6. Move the cleaner slowly backwards and forwards paying particular attention to high traffic areas. [17]

METHODS OF USE FOR HANDHELD STEAM CLEANER

1. Unplug the cleaner from the mains power and ensure the unit has cooled.
2. Push the release button on the main body to take out the handheld. [19]
3. Pull the cap on the Water Tank to open. [6]
4. Fill the clean water tank with cold tap water. Replace cap [7] and refit water tank. Do not add any chemicals, detergents or perfumes to the clean water tank.
5. Plug the steam cleaner into the main power. Press the power on/off button, the power on light (red) will illuminate.[18]
6. After a few seconds the steam ready light (green) will illuminate indicating the cleaner is ready for use.
7. To produce steam press Steam Trigger Button (Handheld). [20]
8. Variable steam release control are used to select Low, Medium or High volume of steam, depending on your specific cleaning requirement. [14]

NOTE: in order to significantly reduce mineral build-up and prolong the life of your steam mop the use of distilled or de-mineralized water in the unit is highly recommended.

IMPORTANT: Always unplug the cleaner when removing the Floor Head or handle. Always ensure the cleaner has fully cooled down before removing the Floor Head.

ACCESSORIES

NOTE: Accessories can only be attached on the handheld steam cleaner.

IMPORTANT: Inspect the seal on the steam nozzle before each use, if the seal is missing or damaged, do not use the appliance, please contact the authorized Hoover service.

Attaching the hose and the nozzles to the handheld steam cleaner

1. Fit the Hose to Steam nozzle of handheld unit and rotate clockwise until hose is locked in position and secure.
2. Attach Conic Tool to the nozzle on the hose. Insert and rotate clockwise until Conic Tool is in locked position and secure.
3. Fit other small accessories to Conic Tool, Insert and rotate clockwise until it is locked in position and secure.

Window Squeegee and Utility Head [21]

The Window squeegee is to be installed on the Steam nozzle of handheld unit and is

used for cleaning windows, mirrors and other smooth glass surfaces. Fit Small Cloth on Window Squeegee on. Choose the steam intensity setting appropriate for the fabric you are steaming.

Conic Tool Use on heavily soiled areas such as showers, kitchens.

Round Brush Use on stubborn grease and grime.

Small Metal Brush For oven grills and racks.

Big Metal Brush For oven grills and racks.

IMPORTANT: ensure that the hose and accessories are securely fastened before using the handheld steam cleaner, if steam escapes from the joint that means the hose and accessories are not correctly fitted, allow the unit to cool then remove and re-fit the hose and accessories.

CLEANER MAINTENANCE

IMPORTANT: ALWAYS ENSURE THE CLEANER HAS FULLY COOLED DOWN BEFORE PERFORMING ANY MAINTENANCE TASKS.

Empty the Water Tank

1. Unplug the cleaner from the mains power and ensure the unit has cooled.
2. Release the clean water tank by sliding the water release button upwards and remove tank from cleaner main body. [5]
3. Pull the cap on the Water Tank to open. [6]
4. Empty any excess water from the tank. Replace the cap and return to the cleaner.

Removing and cleaning the Textile Pad

1. Unplug the cleaner from the mains power and ensure the unit has cooled.
2. If necessary remove the Carpet Glider, then peel the Textile Pad from the Floor Base.
3. Wash the Textile Pad in a washing machine with a mild detergent at Max temperature 40°C.

IMPORTANT: Do not use bleach or fabric softener when washing the Textile Pad.

TROUBLE SHOOTING

Should you have a problem with the product, complete this simple user checklist before calling your local Hoover service.

The steam cleaner will not switch on.

- Check the unit is plugged in.
- Check the power cord.

The steam cleaner is not producing steam.

- There may be no water in the clean water tank.
- You may not wait for enough time when switch on.

The Textile Pad won't pick up dirt.

- The cleaning pad may already be saturated with dirt and needs to be washed. Refer to the Maintenance section.

CLEANING FAQs

When is Steam capsule 2in1 ready? In approximately 30 seconds.

Can I use Steam capsule 2in1 on all floor surfaces? On all hard floors like marble, ceramic, stone, linoleum, sealed hardwood floors and parquet.

Does Steam capsule 2in1 emit steam automatically? No, to produce steam you should press Steam Trigger Button under the handle.

Can I put detergents or other chemicals inside the tank? No, you would damage the product.

What if in the city where I live the water is very hard? You can use filtered water or distilled or de-mineralized water, it's highly recommended.

How long will one tank of water last before needing to be refilled? Up to 25 minutes if you press continuously the trigger.

Is the mop washable? Yes, it can be washed by hand or in the washing machine with a mild detergent at Max temperature 40°C. Do not use bleach or fabric softener.

How often should I replace the mop? It depends on different factors above all how hard the floor is. The best way to understand when to change the mop is when the mop is still dirty after having washed it or if you notice that it doesn't perform like before.

IMPORTANT INFORMATION

Hoover spares and Consumables

Always replace parts with genuine Hoover spares. These are available from your local Hoover dealer or direct from Hoover. When ordering parts always quote your model number.

Consumables

Microfiber Pads (X2) AC36 35601693

Quality

Hoover's factories have been independently assessed for quality. Our products are made using a quality system which meets the requirements of ISO 9001.

Your Guarantee

The guarantee conditions for this appliance are as defined by our representative in the country in which it is sold. Details regarding these conditions can be obtained from the dealer from whom the appliance was purchased. The bill of sale or receipt must be produced when making any claim under the terms of this guarantee.

Subject to change without notice.

INSTRUCTIONS DE SÉCURITÉ D'UTILISATION

Cet appareil ne doit être utilisé que pour un nettoyage domestique, conformément à ce guide d'utilisation. Veuillez vous assurer que ces instructions sont parfaitement comprises avant d'utiliser l'appareil.

Ne laissez pas l'appareil branché. Eteignez et débranchez toujours l'appareil après l'avoir utilisé, ou avant de le nettoyer ou de procéder à son entretien.

Cet appareil ne peut être utilisé par des personnes ayant des capacités physiques, sensorielles ou mentales réduites ou n'ayant pas d'expérience et de connaissance si celles-ci sont sous surveillance ou ont reçu les instructions d'utilisation en toute sécurité et connaissent les risques encourus. Les enfants ne doivent pas jouer avec l'appareil.

Garder l'appareil hors de la portée des enfants lorsqu'il est mis sous tension ou en cours de refroidissement.

Ne pas utiliser l'appareil, s'il a fait une chute, s'il est endommagé ou qu'il comporte des signes visibles d'endommagement ou de fuite.

Si le cordon d'alimentation est endommagé, arrêtez immédiatement d'utiliser l'appareil. Pour éviter les risques d'accident, un réparateur Hoover agréé doit remplacer le cordon d'alimentation.

Cet appareil doit être branché à la terre.

L'appareil ne doit pas être laissé sans surveillance lorsqu'il est connecté à l'alimentation secteur.

Ne pas utiliser votre appareil en extérieur.

N'utilisez que les accessoires, les consommables et les pièces de rechange recommandés ou fournis par Hoover.

Ne pas utiliser l'appareil pour nettoyer ou vaporiser des personnes, des animaux ou des plantes.

Ne pas pulvériser de liquide ou vaporiser des équipements contenant des composants électriques, comme à l'intérieur des fours.

Débrancher le nettoyeur et l'éteindre avant de remplir le conteneur d'eau. Ne pas remplir au-delà du niveau MAX.

Ne jamais ouvrir le réservoir de remplissage durant le fonctionnement.



Risque de brûlures.



Les surfaces sont susceptibles de devenir très chaudes durant l'utilisation. Éviter le contact avec la vapeur.

Ne marchez pas sur le cordon d'alimentation ou ne l'enroulez pas sur vos bras ou vos jambes quand vous utilisez l'appareil.

Lors du nettoyage des escaliers, ne placez pas l'appareil dans une position plus haute que la vôtre.

Lors de l'utilisation des accessoires de nettoyage, veiller à toujours bien maintenir l'appareil avec l'autre main pour assurer qu'il ne tombe pas pendant l'usage.

Ne pas manipuler la prise ou l'appareil avec les mains mouillées.

Ne marchez pas sur le cordon d'alimentation lorsque vous utilisez votre appareil et ne débranchez pas la fiche en tirant sur le cordon d'alimentation.

Ne continuez pas à utiliser votre appareil s'il semble défectueux.

Service Hoover : Pour assurer l'utilisation sûre et efficace de cet appareil, nous recommandons de n'en confier l'entretien et les réparations qu'à un réparateur Hoover agréé.

Ne pas plonger l'appareil dans l'eau ou dans d'autres liquides.

Ne pas utiliser des détergents ou des liquides autres que de l'eau à l'intérieur d'appareil.

Disponible uniquement pour le Royaume-Uni et l'Irlande. Cet appareil a une prise secteur de 13 ampères. S'il est nécessaire de changer le fusible de la prise secteur, utiliser un fusible ASTA de 13 ampères (BS1362).

Environnement

Le symbole figurant sur cet appareil indique qu'il ne peut pas être mis au rebut avec les ordures ménagères. Vous devez le déposer dans un centre de recyclage des déchets électriques et électroniques. La mise au rebut doit être effectuée conformément à la réglementation locale en matière de déchets. Pour obtenir des compléments d'information sur le traitement, la récupération et le recyclage de cet appareil, veuillez contacter votre municipalité, le service local d'élimination des ordures ménagères ou le revendeur de l'appareil.



Cet appareil est conforme aux Directives européennes 2014/35/EU, 2014/30/EU et 2011/65/UE.

CANDY HOOVER GROUP Srl Via Privata Eden Fumagalli, 20861 Brugherio (MB) Italy

CONNAITRE VOTRE ASPIRATEUR

- A. Gâchette vapeur
- B. Ensemble poignée
- C. Crochets supérieurs et inférieurs de rangement du cordon
- D. Cordon d'alimentation
- E. Bouton de déverrouillage portable
- F. Gâchette vapeur portable
- G. Corps principal du nettoyeur vapeur
- H. Pédale de dégagement de la brosse triangulaire
- I. Brosse triangulaire
- I2 Brosse de nettoyage*
- J. Emplacement de fixation de la poignée
- K. Variateur d'échappement de la vapeur Faible, Moyen et Maximum
- L. Témoin lumineux de mise sous tension (Rouge)
- M. Témoin de vapeur prête (Vert)
- N. Bouton Marche/Arrêt
- O. Réservoir d'eau propre
- P. Bouton de déverrouillage du réservoir d'eau propre
- Q. Embout conique
- R. Tuyau
- S. Buse courbée
- T. Brosse ronde
- U. Petite brosse en métal
- V. Grande brosse en métal
- W. Raclette vitre
- X. Petit tissu
- Y. Lingette
- Z. Support tapis et moquettes
- AA. Pédale de dégagement du support tapis et moquettes
- AB. Boulon

MONTAGE DU NETTOYEUR

Sortez tous les composants de l'emballage.

1. Alignez la poignée ergonomique avec le corps principal du nettoyeur et fixez dans cette position avec le boulon fourni. [1,2]
2. Monter le corps principal du balai vapeur sur la brosse triangulaire. [3]
3. Montez le corps principal du balai vapeur sur la tête de balai et montez la brosse triangulaire dans la tête de balai*. [4]

*Sur certains modèles uniquement

UTILISATION DE L'APPAREIL

AVANT DE COMMENCER À NETTOYER

1. Déverrouillez le réservoir d'eau propre en faisant glisser le bouton de sortie d'eau vers le haut et retirez le réservoir du corps principal du nettoyeur. [5]
2. Tirez le bouchon placé sur le réservoir d'eau pour l'ouvrir. [6]
3. Remplir le réservoir d'eau propre avec de l'eau froide du robinet. Remplacez le bouchon [7] et remettez le réservoir d'eau en place. N'ajouter aucuns produits d'entretiens, détergents, ou parfums dans le réservoir d'eau propre.

REMARQUE: Afin de considérablement réduire l'accumulation de minéraux et de prolonger la durée de vie de votre linguette vapeur, l'utilisation de l'eau distillée ou déminéralisée dans l'unité est très recommandée.

4. Fixez la lingette sur la base de la tête de balai. [8]

IMPORTANT : Débranchez toujours l'aspirateur pour ajouter de l'eau ou changer la lingette.

REMARQUE : Lavez la lingette en textile avant de retirer les peluches.

NETTOYAGE À LA VAPEUR DES SOLS DURS

REMARQUE : Toujours balayer ou passer l'aspirateur avant utilisation afin d'éliminer toute trace de saleté ou de débris.

IMPORTANT : N'utilisez pas l'aspirateur sans lingette fixée sur la tête de balai.

REMARQUE : N'utilisez pas le support tapis lors du nettoyage des sols durs.

1. Brancher le balai vapeur à la prise de courant. Appuyez sur le bouton Marche/Arrêt, le voyant d'alimentation (rouge) s'allume.
2. Après quelques secondes, le voyant vert vapeur prête s'allume pour indiquer que le balai vapeur est prêt à l'emploi.
3. Incliner le balai vapeur en plaçant un pied sur la tête de balai et en baissant le corps principal vers le sol. [11]
4. Pour générer de la vapeur, appuyer sur la gâchette vapeur. [12]
5. Passer le nettoyeur vapeur lentement en avant et en arrière en faisant particulièrement attention aux zones encombrées. [13]
6. Le variateur d'échappement de la vapeur est utilisé pour sélectionner le volume de vapeur Faible, Moyen ou Maximum, en fonction de vos besoins spécifiques de nettoyage. [14]

Nettoyage à la vapeur des sols durs - nettoyage intensif

Utiliser la brosse triangulaire sur les sols durs nécessitant un nettoyage en profondeur. Veuillez noter qu'il n'y a pas de lingette, d'où la zone devra être séchée séparément.

REMARQUE : Toujours balayer ou passer l'aspirateur avant utilisation afin d'éliminer toute trace de saleté ou de débris.

1. Retirez la brosse triangulaire de la tête de balai en appuyant sur la pédale de dégagement à l'arrière de la tête de balai. [15]
2. Brancher le balai vapeur à la prise de courant. Le voyant d'alimentation (rouge) s'allume. Après quelques secondes, le voyant vert vapeur prête s'allume pour indiquer que le nettoyeur vapeur est prêt à l'emploi.
3. Incliner le balai vapeur en plaçant un pied sur le support à balai et en baissant le corps principal vers le sol. [16]
4. Pour générer de la vapeur, appuyez sur le bouton de déclenchement. [12]
5. Le variateur d'échappement de la vapeur est utilisé pour sélectionner le volume de vapeur Faible, Moyen ou Maximum, en fonction de vos besoins spécifiques de nettoyage. [14]
6. Passer le balai vapeur lentement en avant et en arrière en faisant particulièrement attention aux zones encombrées. [17]

MÉTHODES D'UTILISATION DU NETTOYEUR VAPEUR PORTABLE

1. Débrancher le nettoyeur vapeur de la prise de courant et s'assurer que l'appareil a refroidi.
2. Pousser le bouton de déverrouillage placé sur le corps principal pour faire ressortir le dispositif portable. [19]
3. Tirez le bouchon placé sur le réservoir d'eau pour l'ouvrir. [6]
4. Remplir le réservoir d'eau propre avec de l'eau froide du robinet. Remplacez le bouchon [7] et remettez le réservoir d'eau en place. N'ajouter aucuns produits d'entretiens, détergents, ou parfums dans le réservoir d'eau propre.
5. Brancher le balai vapeur à la prise de courant. Appuyez sur le bouton Marche/Arrêt, le voyant d'alimentation (rouge) s'allume.
6. Après quelques secondes, le voyant vert vapeur prête s'allume pour indiquer que le balai vapeur est prêt à l'emploi. [18]
7. Pour générer de la vapeur, appuyer sur le bouton de déclenchement de vapeur (à la main). [20]
8. Le variateur d'échappement de la vapeur est utilisé pour sélectionner le volume de vapeur Faible, Moyen ou Maximum, en fonction de vos besoins spécifiques de nettoyage. [14]

REMARQUE : Afin de considérablement réduire l'accumulation de minéraux et de prolonger la durée de vie de votre linguette vapeur, l'utilisation de l'eau distillée ou déminéralisée dans l'unité est très recommandée.

IMPORTANT : Toujours débrancher l'aspirateur pour retirer la tête de balai ou la poignée. S'assurer que le balai vapeur a complètement refroidi avant de retirer la tête de balai.

ACCESSOIRES

REMARQUE : Les accessoires ne peuvent être fixés que sur le nettoyeur vapeur portable.

IMPORTANT : Inspecter le joint placé sur l'embout vapeur avant chaque utilisation. S'il est

manquant ou endommagé, ne pas utiliser l'appareil. Bien vouloir contacter le service après-vente agréé de Hoover.

Fixation du flexible et des buses au nettoyeur vapeur portable

1. Fixer le flexible à l'embout vapeur de l'unité portable et le faire tourner dans le sens des aiguilles d'une montre jusqu'à ce que le flexible soit en position verrouillée et bien fixée.
2. Fixez l'embout conique à la brosse du flexible. L'insérer et le tourner dans le sens des aiguilles d'une montre jusqu'à ce que l'embout conique soit en position verrouillée et bien fixée.
3. Fixer d'autres petits accessoires à l'embout conique, l'insérer et le tourner dans le sens des aiguilles d'une montre jusqu'à ce qu'il soit en position verrouillée et bien fixée.

Raclette vitre et tête utilitaire [21]

La raclette vitre doit être installée sur l'embout vapeur de l'unité portable et est utilisée pour nettoyer les vitres, miroirs et autres surfaces de verre lisses. Fixer un petit tissu sur la raclette vitre. Choisissez le réglage de l'intensité de vapeur approprié pour le tissu que vous vaporisez.

Embout conique Utilisez-le sur des endroits particulièrement sales comme les douches et cuisines.

Brosse ronde Utilisez-la sur la graisse et saletés tenaces.

Petite brosse en métal Pour les grill, barbecue et grilles du four.

Grande brosse en métal Pour les grill, barbecue et grilles du four.

IMPORTANT : S'assurer que le flexible et les accessoires sont bien en place avant d'utiliser le nettoyeur vapeur portable. Si la vapeur s'échappe du joint, cela signifie que le flexible et les accessoires ne sont pas correctement fixés. Laisser l'unité refroidir, puis retirer et replacer le flexible et les accessoires.

ENTRETIEN DE L'ASPIRATEUR

IMPORTANT : TOUJOURS S'ASSURER QUE LE NETTOYEUR VAPEUR SOIT TOTALEMENT REFROIDI AVANT TOUT TRAVAUX D'ENTRETIEN.

Vider le réservoir d'eau

1. Débrancher le nettoyeur vapeur de la prise de courant et s'assurer que l'appareil a refroidi.
2. Déverrouillez le réservoir d'eau propre en faisant glisser le bouton de sortie d'eau vers le haut et retirez le réservoir du corps principal du nettoyeur. [5]
3. Tirez le bouchon placé sur le réservoir d'eau pour l'ouvrir. [6]
4. Vider l'excès d'eau du réservoir. Remettre le bouchon et retourner au balai vapeur.

Retrait et nettoyage de la lingette

1. Débrancher le nettoyeur vapeur de la prise de courant et s'assurer que l'appareil a refroidi.
2. Au besoin, retirer le support tapis, puis enlever la lingette de la base.
3. Laver la lingette au lave linge avec un détergent doux à une température de 40°C maximum.

IMPORTANT : Ne pas utiliser de javel ou d'adoucissant lors du lavage de la lingette.

DEPANNAGE

En cas de problèmes avec l'appareil, effectuez les vérifications de la liste de vérifications avant d'appeler le service après-vente Hoover.

Le nettoyeur vapeur ne s'allume pas.

- Vérifier que l'appareil est bien branché.
- Vérifier le cordon d'alimentation.

Le nettoyeur vapeur ne génère pas de vapeur.

- Il se peut qu'il n'y ait pas d'eau dans le réservoir d'eau propre.
- Vous pouvez ne pas attendre pendant un temps suffisant lorsque l'appareil est allumé.

La lingette ne ramasse pas la saleté.

- Il se peut que la lingette soit trop sale et qu'elle ait besoin d'être lavée.
- Il faut se référer au chapitre Maintenance.

FAQ RELATIF AU NETTOYAGE

Quand est-ce que Steam capsule 2in1 est prêt ? En 30 secondes environ.

Puis-je utiliser Steam capsule 2in1 sur tous les sols ? Sur tous les sols durs comme le marbre, la céramique, la pierre, le linoléum, les planchers en bois franc scellé et le parquet.

Est-ce que Steam capsule 2in1 émet de la vapeur automatiquement ? Non, pour produire de la vapeur vous devez appuyer sur le bouton de déclenchement de vapeur situé sous la poignée.

Puis-je rajouter du détergent ou des produits chimiques dans le réservoir ? Non, vous endommageriez l'appareil.

Que faire si l'eau de la région où j'habite est très dure ? Vous pouvez utiliser l'eau filtrée ou l'eau distillée ou déminéralisée ; cela est très recommandé.

Combien de temps dure un réservoir plein avant d'avoir à le remplir à nouveau ? Jusqu'à 25 minutes si vous appuyez continuellement le déclencheur.

Est-ce que la lingette est lavable ? Oui, il peut être lavé à la main ou en machine avec un détergent doux à une température maximale de 40°C. Ne pas utiliser de javel ou d'adoucissant.

Quelle est la fréquence de remplacement du balai ? Cela dépend de plusieurs facteurs, notamment, la dureté du sol. La meilleure méthode consiste à remplacer la lingette lorsqu'elle est encore sale après l'avoir lavé ou si vous remarquez qu'elle ne nettoie pas comme avant.

INFORMATIONS IMPORTANTES

Pièces détachées et consommables Hoover

Toujours remplacer les pièces par des pièces détachées de la marque Hoover. Celles-ci sont disponibles auprès de votre revendeur Hoover. Lors de la commande de pièces, veuillez toujours préciser le numéro de votre modèle.

Consommables

Patins en microfibre (X2) AC36 35601693

Qualité

La qualité des usines Hoover a fait l'objet d'une évaluation indépendante. Nos produits sont fabriqués selon un système de qualité conforme à la norme ISO 9001.

Votre garantie

Les conditions de garantie de cet appareil sont définies par notre représentant dans le pays où il est vendu et peuvent être obtenues auprès de votre revendeur. Les détails concernant ces conditions peuvent être obtenues auprès du revendeur auprès duquel l'appareil a été acheté. La facture d'achat ou le reçu doivent être présentés pour toutes réclamations relevant des conditions de cette garantie.

Ces conditions peuvent être modifiées sans préavis.

HINWEISE FÜR DIE SICHERE BENUTZUNG

Dieses Gerät ist nur zum Gebrauch im Haushalt und nicht für gewerbliche Zwecke bestimmt. Sie sollten das Gerät ausschließlich gemäß den Angaben in dieser Bedienungsanleitung verwenden. Vor dem Gebrauch des Gerätes muss die vorliegende Bedienungsanleitung vollständig gelesen und verstanden worden sein.

Ziehen Sie den Netzstecker nach Gebrauch aus der Steckdose. Vor der Reinigung oder Wartung das Gerät stets ausschalten, den Netzstecker aus der Steckdose ziehen und abkühlen lassen.

Dieses Gerät darf von Personen mit eingeschränkten physischen, sensorischen oder mentalen Fähigkeiten oder mit unzureichender Erfahrung oder unzureichendem Wissen über das Gerät verwendet werden, wenn diese in die sichere Bedienung umfassend eingewiesen wurden und die möglichen Gefahren verstanden haben. Kinder sollten nicht unbeaufsichtigt mit dem Gerät spielen.

Außer Reichweite von Kindern aufbewahren, wenn das Gerät mit dem Stromnetz verbunden ist oder abkühlt.

Das Gerät darf auf keinen Fall verwendet werden, wenn es heruntergefallen ist und sichtbare Anzeichen eines Schadens vorhanden sind oder wenn Wasser ausläuft.

Ist das Netzkabel beschädigt, darf das Gerät NICHT mehr benutzt werden. Im Falle eines Defektes, darf das Netzkabel nur durch einen autorisierten Hoover-Kundendiensttechniker ausgetauscht werden.

Dieses Gerät muss geerdet werden.

Das Gerät sollte nicht unbeaufsichtigt bleiben, wenn es am Stromnetz angeschlossen ist.

Das Gerät darf nicht im Freien verwendet werden.

Verwenden Sie nur Zubehör, Verbrauchsmaterial oder Ersatzteile, die von Hoover empfohlen oder geliefert werden.

Das Gerät niemals zur Reinigung von Tieren, Menschen oder Pflanzen verwenden oder den Dampfstrahl direkt darauf richten.

Niemals Flüssigkeiten oder Dampf in Richtung von Geräten mit elektrischen Bauteilen lenken, z.B. in einen Backofen.

Ziehen Sie, bevor Sie den Wasserbehälter auffüllen, den Netzstecker aus der Steckdose und schalten Sie das Gerät aus. Füllen Sie den Wasserbehälter nicht weiter als bis zur Markierung MAX auf. Die Einfüllöffnung für das Wasser darf während des Betriebs nicht geöffnet sein.



Verbrühungsgefahr.



Oberflächen können sich während der Benutzung erhitzen. Jeden Kontakt mit Dampf vermeiden.

Treten Sie beim Gebrauch des Gerätes nicht auf das Netzkabel und wickeln es sich nicht um Arme oder Beine.

Positionieren Sie das Gerät bei der Reinigung von Treppen nicht oberhalb von Ihnen.

Bei der Verwendung von Reinigungszubehör stellen Sie sicher, dass Sie das Gerät stets mit der anderen Hand stützen. Dies stellt sicher, dass das Gerät während des Gebrauchs nicht umfällt.

Den Stecker oder das Gerät niemals mit nassen Händen benutzen.

Während des Betriebs nicht über das Netzkabel fahren. Nicht am Kabel ziehen, um den Gerätestecker aus der Steckdose zu ziehen.

Stellen Sie die Verwendung des Gerätes ein, wenn ein Defekt am Gerät vermutet wird.

Hoover-Kundendienst: Um auf Dauer den sicheren und effizienten Betrieb dieses Gerätes zu gewährleisten, empfehlen wir, Wartungs- und Reparaturarbeiten ausschließlich von einem zugelassenen Hoover-Kundendiensttechniker durchführen zu lassen.

Das Gerät niemals in Wasser oder andere Flüssigkeiten tauchen.

Keine anderen Reinigungsmittel oder Flüssigkeiten außer Wasser mit dem Gerät verwenden.

Nur für UK und Irland: Das Gerät hat einen 13A Netzstecker. Falls Sie die Sicherung im Hauptstromanschluss ersetzen müssen, verwenden Sie eine 13A ASTA (BS1362) Sicherung.

Umweltschutz

Das am Gerät angebrachte Symbol gibt an, dass dieses Gerät nicht als Hausmüll behandelt werden darf, sondern an einer entsprechenden Sammelstelle für das Recycling von elektrischen und elektronischen Geräten zu entsorgen ist. Die Entsorgung ist in Übereinstimmung mit allen geltenden Vorschriften für die umweltgerechte Abfallentsorgung vorzunehmen. Ausführlichere Informationen über die Müllbehandlung und das Recycling dieses Geräts erhalten Sie von der zuständigen Umweltbehörde, der Müllentsorgungsstelle Ihrer Kommune oder dem Händler, bei dem Sie das Gerät erworben haben.



Dieses Gerät erfüllt die Europäischen Richtlinien 2014/35/EU, 2014/30/EU und 2011/65/EG.

CANDY HOOVER GROUP Srl Via Privata Eden Fumagalli, 20861 Brugherio (MB) Italy

GERÄTEBESCHREIBUNG

- A. Dampffreigabetaste
- B. Handgriff
- C. Oberer und unterer Kabelaufwicklungshaken
- D. Netzkabel
- E. Griffentriegelungsknopf
- F. Griffdampffreigabetaste
- G. Gerätekorpus
- H. Freigabepedal für dreieckige Bürste
- I. Dreieckige Bürste
- I2 Große Bodendüse (zur Reinigung von großen Flächen)*
- J. Griffbefestigungsposition
- K. 3 stufiger Dampfmengenregler (Niedrig, Mittel und Maximum)
- L. Betriebsbereitschaftsleuchte (Rot)
- M. Anzeigeleuchte Dampf fertig (Grün)
- N. Ein-/Aus-Taste
- O. Frischwassertank
- P. Frischwassertank-Freigabetaste
- Q. Konisch zulaufender Aufsatz
- R. Saugschlauch
- S. Gebogene Düse
- T. Rundbürste
- U. Kleine Metallbürste
- V. Große Metallbürste
- W. Fensterabzieher
- X. Kleines Reinigungstuch
- Y. Multifunktionsfaserreinigungstuch
- Z. Teppichgleitaufsatz
- AA. Teppichgleitaufsatzfreigabepedal
- AB. Schraube

ZUSAMMENBAU DES GERÄTES

Nehmen Sie alle Teile des Gerätes aus dem Karton.

1. Richten Sie den ergonomisch geformten Griff mit dem Gerätekorpus aus und fixieren Sie die Position mit der beiliegenden Schraube. [1,2]
2. Befestigen Sie die Dreiecksbürste am Staubsaugergehäuse. [3]
3. Befestigen Sie das Staubsaugergehäuse an der Bodendüse und die dreieckige Bürste an der Bodendüse*. [4]

*Geräteausstattung ist modellabhängig

GEBRAUCH DES GERÄTES

BEVOR SIE MIT DEN REINIGUNGSARBEITEN BEGINNEN

1. Entriegeln Sie den Frischwassertank durch Schieben der Freigabetaste nach oben und nehmen Sie den Tank vom Gerätegehäuse. [5]
2. Zum Öffnen ziehen Sie die Kappe oben vom Wasserbehälter ab. [6]
3. Füllen Sie den Frischwassertank mit kaltem Leitungswasser. Befestigen Sie die Kappe [7] und den Wasserbehälter wieder. Fügen Sie zum Frischwasser im Tank keine Chemikalien, Reinigungsmittel oder Duftstoffe hinzu.

HINWEIS: Um die Ablagerung von Kalk signifikant zu reduzieren und die Lebensdauer Ihres Dampfreinigungstuches zu verlängern, sollten Sie destilliertes oder entmineralisiertes Wasser verwenden.

4. Befestigen Sie ein textiles Reinigungstuch unten an der Bodendüse. [8]

WICHTIG: Ziehen Sie immer den Netzstecker aus der Steckdose, wenn Sie Wasser hinzufügen oder ein Stoffpad austauschen.

HINWEIS: Waschen Sie das Reinigungstuch vor der Benutzung, um alle Ansammlungen zu entfernen.

REINIGUNG VON HARTBÖDEN MIT DAMPF

HINWEIS: Fegen Sie den Fußboden vor der Reinigung, um losen Grobschmutz zu entfernen.

WICHTIG: Benutzen Sie den Reiniger niemals ohne das Reinigungstuch an der Bodendüse.

HINWEIS: Benutzen Sie den Teppichgleiter nicht zur Reinigung von Hartböden.

1. Stecken Sie den Netzstecker des Dampfreinigers in die Steckdose. Drücken Sie auf die Ein-/Aus-Taste, die Kontrollleuchte Ein wird (Rot) aufleuchten.
2. Nach einigen Sekunden leuchtet die grüne Kontrollleuchte (Dampf fertig) ebenfalls auf und zeigt an, dass das Geräteinsatzbereit ist.
3. Die Parkposition lösen, indem Sie den Fuß auf die Bodendüse stellen und den Gerätekorpus vorsichtig absenken. [11]
4. Um Dampf zu erzeugen, die Dampffreigabetaste betätigen. [12]
5. Bewegen Sie den Reiniger langsam vor und zurück und achten dabei besonders auf stark beanspruchte Bereiche. [13]
6. Der variable Dampfgregler wird benutzt, um zwischen einer geringen, mittleren und hohen Dampffreigabe, abhängig von Ihren Reinigungsanforderungen, zu wählen. [14]

Intensive Reinigung von Hartböden

Benutzen Sie auf harten Fußböden, die eine besonders gründliche Reinigung erfordern, die dreieckige Fußbodenbürste. Bitte beachten Sie, dass kein Wischtuch vorhanden ist und der Bereich separat getrocknet werden muss.

HINWEIS: Fegen Sie den Fußboden vor der Reinigung, um losen Grobschmutz zu entfernen.

1. Nehmen Sie die dreieckige Bodenbürste von der Bodendüse ab, indem auf das Freigabepedal auf der Rückseite der Bodendüse drücken. [15]
2. Stecken Sie den Netzstecker des Dampfreinigers in die Steckdose. Die Kontrollleuchte Ein wird (Rot) aufleuchten. Nach einigen Sekunden leuchtet die grüne Kontrollleuchte (Dampf fertig) ebenfalls auf und zeigt an, dass das Gerät einsatzbereit ist.
3. Die Parkposition lösen, indem Sie den Fuß auf die Bodendüse stellen und den Gerätekorpus vorsichtig absenken. [16]
4. Um Dampf zu erzeugen, drücken Sie die Dampffreigabetaste. [12]
5. Der variable Dampfgregler wird benutzt, um zwischen einer geringen, mittleren und hohen Dampffreigabe, abhängig von Ihren Reinigungsanforderungen, zu wählen. [14]
6. Bewegen Sie den Reiniger langsam vor und zurück und achten dabei besonders auf stark beanspruchte Bereiche. [17]

BENUTZUNG DES HANDDAMPFREINIGERS

1. Ziehen Sie den Stecker aus der Steckdose und warten bis das Gerät vollständig abgekühlt ist.
2. Drücken Sie die Freigabetaste auf dem Gerätekorpus, um die Handeinheit abzunehmen. [19]
3. Zum Öffnen ziehen Sie die Kappe oben vom Wasserbehälter ab. [6]
4. Füllen Sie den Frischwassertank mit kaltem Leitungswasser. Befestigen Sie die Kappe [7] und den Wasserbehälter wieder. Fügen Sie zum Frischwasser im Tank keine Chemikalien, Reinigungsmittel oder Duftstoffe hinzu. [18]
5. Stecken Sie den Netzstecker des Dampfreinigers in die Steckdose. Drücken Sie auf die Ein-/Aus-Taste, die Kontrollleuchte Ein wird (Rot) aufleuchten.
6. Nach einigen Sekunden leuchtet die grüne Kontrollleuchte (Dampf fertig) ebenfalls auf und zeigt an, dass das Geräteinsatzbereit ist.
7. Um Dampf zu erzeugen, drücken Sie auf die Dampffreigabetaste (Handgerät). [20]
8. Der variable Dampfgregler wird benutzt, um zwischen einer geringen, mittleren und hohen Dampffreigabe, abhängig von Ihren Reinigungsanforderungen, zu wählen. [14]

HINWEIS: Um die Ablagerung von Kalk signifikant zu reduzieren und die Lebensdauer Ihres Dampfreinigungstuches zu verlängern, sollten Sie destilliertes oder entmineralisiertes Wasser verwenden.

WICHTIG: Ziehen Sie immer, wenn Sie die Bodendüse oder den Handgriff abnehmen, den Netzstecker aus der Steckdose raus. Vergewissern Sie sich immer, bevor Sie die Bodendüse abnehmen, dass das Gerät ganz abgekühlt ist.

ZUBEHÖR

HINWEIS: Das Zubehör kann nur am Handdampfreiniger befestigt werden.

WICHTIG: Überprüfen Sie die Dichtung der Dampfdüse, bevor Sie diese benutzen. Im Falle, dass die Dichtung fehlt oder beschädigt ist, benutzen Sie das Gerät nicht und kontaktieren

Sie bitte die HOOVER-Kundendienststelle.

Saugschlauch und Düse am Handdampfreiniger befestigen

1. Befestigen Sie den Saugschlauch und die Dampfdüse an der Handeinheit und drehen Sie den Saugschlauch im Uhrzeigersinn bis er in seiner Position verriegelt ist und sicher sitzt.
2. Stecken Sie den konischen Aufsatz auf die Düse vom Saugschlauch. Stecken Sie die konische Düse auf und drehen Sie diese bis sie eingerastet ist und verriegeln Sie diese.
3. Befestigen Sie kleineres Zubehör an der konischen Düse, stecken Sie diese ein und drehen Sie sie im Uhrzeigersinn bis sie in ihrer Position einrastet und sicher sitzt.

Fensterabzieher und Aufsatz [21]

Der Fensterabzieher wird auf der Dampfdüse der Handeinheit montiert und dient der Reinigung von Fenstern, Spiegeln und anderen glatten Glasoberflächen. Befestigen Sie ein kleines Tuch am Fensterabzieher. Wählen Sie die entsprechende Dampfintensitätseinstellung für die Stoffoberfläche aus, die Sie mit Dampf behandeln möchten.

Konisch zulaufender Aufsatz Für die Verwendung auf stark verschmutzten Bereichen, wie Duschen und Küchen.

Rundbürste Für die Verwendung auf hartnäckigem Fett und Schmutz.

Kleine Metallbürste Für Ofenroste und Gestelle.

Große Metallbürste Für Ofenroste und Gestelle.

WICHTIG: Vergewissern Sie sich, bevor Sie den Handdampfreiniger benutzen, dass der Saugschlauch und das Zubehör sicher befestigt sind. Im Falle, dass Dampf an einer Verbindungsstelle austritt, bedeutet dies, dass der Saugschlauch und das Zubehör nicht korrekt befestigt wurden. Lassen Sie das Gerät abkühlen und nehmen Sie den Saugschlauch und das Zubehör ab und befestigen Sie es wieder.

WARTUNG DES GERÄTES

WICHTIG: VERGEWISSERN SIE SICH VOR WARTUNGSARBEITEN IMMER, DASS DAS GERÄT GANZ ABGEKÜHLT IST.

Schmutzwassertank entleeren

1. Ziehen Sie den Stecker aus der Steckdose und warten bis das Gerät vollständig abgekühlt ist.
2. Entriegeln Sie den Frischwassertank durch Schieben der Freigabetaste nach oben und nehmen Sie den Tank vom Gerätegehäuse. [5]
3. Zum Öffnen ziehen Sie die Kappe oben vom Wasserbehälter ab. [6]
4. Gießen Sie das Wasser aus dem Tank. Schrauben Sie den Deckel wieder zu und befestigen den Tank am Gerät.

Entfernen und Reinigen des Reinigungstuchs

1. Ziehen Sie den Stecker aus der Steckdose und warten bis das Gerät vollständig abgekühlt ist.
2. Falls erforderlich, entfernen Sie zunächst den Teppichgleiter und lösen danach das Reinigungstuch von der Bodendüse.
3. Waschen Sie das Reinigungstuch mit einem milden Waschmittel bei max. 40°C in der Waschmaschine.

WICHTIG: Verwenden Sie kein Bleichmittel oder Weichspüler beim Waschen des Reinigungstuchs.

FEHLERBEHEBUNG

Bitte prüfen Sie zunächst die einzelnen Punkte dieser Prüfliste, bevor Sie sich bei einem Problem an Ihre zuständige Hoover-Kundendienststelle wenden.

Der Reiniger schaltet sich nicht ein.

- Überprüfen Sie, ob der Netzstecker in die Steckdose gesteckt wurde.
- Überprüfen Sie das Netzkabel.

Der Dampfreiniger erzeugt keinen Dampf.

- Überprüfen Sie bitte den Wasserstand im Frischwassertank.
- Nach dem Einschalten müssen Sie nicht allzu lange warten.

Das Reinigungstuch nimmt keinen Schmutz mehr auf.

- Überprüfen Sie bitte, ob das Reinigungstuch evtl. gereinigt werden muss.
- Siehe Kapitel Wartung.

WICHTIGE HINWEISE ZUM BETRIEB

Wann ist der Steam Capsule 2in1 betriebsbereit? Nach ungefähr 30 Sekunden.

Darf ich den Steam Capsule 2in1 auf allen Fußbodenoberflächen benutzen?

Nein, nur auf harten Fußböden, wie z.B. Marmor, Keramik, Fliesen, Linoleum, versiegelten Hartholzböden oder Parkett. Bitte beachten Sie unbedingt die Hinweise des Bodenherstellers, die maßgebend sind.

Erzeugt der Steam Capsule 2in1 den Dampf automatisch? Nein, um Dampf zu erzeugen, müssen Sie die Dampffreigabetaste unter dem Griff drücken.

Darf ich Reinigungsmittel oder andere Chemikalien in den Tank füllen? Nein, diese würden das Produkt beschädigen.

Was mache ich, wenn das Wasser in der Stadt in der ich lebe, sehr hart (kalkhaltig) ist? Sie können gefiltertes, destilliertes oder entmineralisiertes Wasser, was sehr empfohlen wird, verwenden.

Wie lange kann ich mit einer Tankfüllung Wasser arbeiten, bevor ich den Tank wieder auffüllen muss? Ungefähr 25 Minuten, wenn Sie ununterbrochen auf die Freigabetaste drücken.

Darf ich das Reinigungstuch waschen? Ja, Sie dürfen es mit einem milden Waschmittel bei max. 40°C von Hand oder in der Waschmaschine waschen. Verwenden Sie dabei kein Bleichmittel oder Weichspüler.

Wie häufig muss ich das Reinigungstuch austauschen? Dies hängt von verschiedenen Faktoren, insbesondere von der Härte des Fußbodens ab. Der beste Zeitpunkt um das Reinigungstuch auszutauschen ist, wenn Sie es gewaschen haben und es trotzdem noch schmutzig ist oder wenn Sie feststellen, dass es nicht mehr richtig reinigt.

WICHTIGE INFORMATIONEN

Hoover Ersatzteile und Verbrauchsmaterial

Verwenden Sie stets Originalersatzteile von Hoover. Diese sind über den Hoover-Kundendienst erhältlich. Geben Sie bei der Bestellung von Ersatzteilen bitte stets die komplette 16stellige Artikelnummer (Typenplakette auf der Rückseite des Gerätes) Ihres Gerätemodells an.

Verbrauchsteile

Mikrofaserreinigungstücher (X2) AC36 35601693

Qualität

Die Hoover-Werke wurden unabhängig voneinander jeweils einer Qualitätsprüfung unterzogen. Unsere Produkte werden nach einem Qualitätsstandard hergestellt, der die Anforderungen von ISO 9001 erfüllt.

Garantieerklärung

Die Garantiebestimmungen für dieses Gerät entsprechen den Richtlinien des Landes, in dem Sie das Gerät erworben haben. Weitere Einzelheiten dazu erhalten Sie vom Händler, bei dem Sie das Gerät erworben haben oder aus dem roten Garantieheft, das der Verpackung beiliegt. Bitte bewahren Sie den Kaufbeleg sorgfältig auf, denn er wird für eventuell auftretende Garantieansprüche benötigt. Änderungen vorbehalten.

ISTRUZIONI PER UN USO SICURO

Questo apparecchio deve essere utilizzato esclusivamente in ambito domestico per interventi di pulizia, secondo le istruzioni riportate nel presente documento. Accertarsi di aver compreso le istruzioni prima di mettere in funzione l'apparecchio.

Non lasciare l'apparecchio collegato alla corrente. Prima di procedere alla pulizia dell'apparecchiatura o di effettuare qualsiasi operazione di manutenzione, spegnere sempre l'apparecchio e scollegare la spina.

Questo elettrodomestico non è destinato a essere utilizzato da persone dalle ridotte capacità fisiche, sensoriali o mentali senza una adeguata assistenza o controllo da parte di una persona adulta responsabile della loro sicurezza. Controllare che i bambini non giochino con l'apparecchio.

Durante l'utilizzo o il raffreddamento tenere l'apparecchio lontano dalla portata dei bambini.

L'apparecchio non può essere utilizzato se è stato fatto cadere, se è visibilmente danneggiato o se ha perditte.

Se il cavo di alimentazione è danneggiato, interrompere immediatamente l'utilizzo dell'apparecchio. Per evitare pericoli, il cavo di alimentazione dovrà essere sostituito da un tecnico del servizio assistenza autorizzato Hoover.

Questo apparecchio richiede la messa a terra.

Non lasciare mai l'apparecchio senza sorveglianza quando è collegato alla presa di corrente.

Non usare l'apparecchio in ambienti esterni.

Utilizzare solo accessori o parti di consumo e di ricambio consigliati o forniti da HOOVER.

Non utilizzare l'apparecchio per pulire o dirigere il getto di vapore verso animali, persone o piante.

Non dirigere direttamente il liquido o il vapore verso apparecchiature contenenti componenti elettrici, come ad esempio l'interno di forni.

Spegnere l'apparecchio e scollegare la spina dalla presa di corrente prima di riempire il serbatoio dell'acqua. Non riempire oltre il livello massimo.

Durante l'uso tenere sempre chiusa l'apertura per il riempimento.



Pericolo di scottature.



Durante l'uso, le superfici possono raggiungere temperature molto elevate. Evitare il contatto con il vapore.

Non calpestare il cavo di alimentazione o avvolgerlo intorno alle braccia o alle gambe mentre si usa l'apparecchio.

Non collocare l'apparecchio in una posizione più bassa rispetto alla propria quando si puliscono delle scale.

Quando si utilizzano gli accessori per la pulizia, assicurarsi sempre di tenere fermo l'apparecchio con l'altra mano. In questo modo si evitano cadute dell'apparecchio mentre è in uso.

Non maneggiare la spina o l'apparecchio con le mani bagnate.

Non calpestare il cavo di alimentazione durante l'utilizzo dell'apparecchio o scollegare la spina dalla presa tirando il cavo di alimentazione.

Non continuare a utilizzare l'apparecchio in caso di presunto guasto.

Assistenza Hoover: per garantire un funzionamento sempre sicuro ed efficiente dell'apparecchiatura, si consiglia di fare eseguire eventuali interventi di assistenza o di riparazione dai tecnici del servizio assistenza autorizzato Hoover.

Non immergere l'apparecchio in acqua o in altri liquidi.

Non utilizzare detergenti o altri liquidi diversi dall'acqua all'interno dell'apparecchio.

Solo per Regno Unito ed Irlanda. L'apparecchio è munito di una presa di corrente da 13 ampere. Se è necessario cambiare il fusibile della presa di corrente, utilizzare un fusibile ASTA da 13 ampere (BS1362).

Ambiente:

Il simbolo apposto sul prodotto indica che lo stesso non può essere smaltito come i normali rifiuti domestici, bensì deve essere portato al punto di raccolta o al centro di riciclaggio delle apparecchiature elettriche ed elettroniche più vicino. Lo smaltimento deve essere eseguito in conformità alle normative locali vigenti per la salvaguardia dell'ambiente e lo smaltimento dei rifiuti. Per ulteriori informazioni sul trattamento, il recupero e il riciclaggio di questo prodotto, contattare l'unità territoriale competente per il servizio di smaltimento o il negozio in cui il prodotto è stato acquistato.



Questo prodotto è conforme alle Direttive Europee 2014/35/EU, 2014/30/EU e 2011/65/EC.

CANDY HOOVER GROUP Srl Via Privata Eden Fumagalli, 20861 Brugherio (MB) Italy

DESCRIZIONE DELL'APPARECCHIO

- A. Levetta rilascio vapore
- B. Gruppo impugnatura
- C. Ganci superiore ed inferiore per il riavvolgimento del cavo
- D. Cavo di alimentazione
- E. Pulsante di rilascio impugnatura
- F. Levetta rilascio vapore sull'impugnatura
- G. Corpo principale dell'apparecchio
- H. Pedale di rilascio spazzola triangolare
- I. Spazzola triangolare
- I2 Spazzola principale per la pulizia pavimenti*
- J. Sede impugnatura fissa
- K. Cursore per la regolazione variabile del rilascio vapore (Basso, Medio & Alto)
- L. Spia indicatore accensione potenza di alimentazione (Rosso)
- M. Spia "Vapore pronto" (Verde)
- N. Pulsante alimentazione On-Off
- O. Serbatoio acqua pulita
- P. Pulsante rilascio serbatoio acqua pulita
- Q. Bocchetta conica
- R. Tubo flessibile
- S. Spazzola curva
- T. Spazzola rotonda
- U. Spazzola metallica piccola
- V. Spazzola metallica grande
- W. Lavavetri
- X. Panno piccolo
- Y. Panno
- Z. Accessorio per pulizia tappeti
- AA. Pedale di rilascio accessorio per la pulizia dei tappeti
- AB. Bullone

MONTAGGIO DELL'APPARECCHIO

Disimballare tutti i componenti.

1. Assemblare l'impugnatura ergonomica all'apparecchio fissandola con il bullone in dotazione. [1,2]
2. Assemblare il corpo principale dell'apparecchio alla spazzola triangolare. [3]
3. Assemblare il corpo principale dell'apparecchio alla spazzola principale ed assemblare quest'ultima alla spazzola rettangolare*. [4]

*Solo su alcuni modelli

UTILIZZO DELL'APPARECCHIO

PRIMA DI INIZIARE LA PULIZIA

1. Rimuovere il serbatoio d'acqua pulita facendo scorrere verso l'alto il pulsante di rilascio acqua ed estrarre il serbatoio dal corpo principale dell'apparecchio. [5]
2. Tirare il tappo sul serbatoio dell'acqua per aprirlo. [6]
3. Riempire il serbatoio acqua pulita con acqua corrente fredda. Rimettere il tappo [7] e rimontare il serbatoio dell'acqua. Non aggiungere sostanze chimiche, detersivi o profumi nel serbatoio dell'acqua pulita.

NOTA: Al fine di ridurre considerevolmente l'accumulo di minerali e di prolungare la vita della vostra scopa a vapore è raccomandato l'uso di acqua distillata o demineralizzata.

4. Applicare il panno alla base della spazzola principale per la pulizia pavimenti. [8]

IMPORTANTE: Scollegare sempre l'apparecchio quando si aggiunge acqua o si cambia il panno.

NOTA: Lavare il panno per rimuovere qualsiasi traccia di sporco.

PULIZIA A VAPORE PAVIMENTAZIONI DURE

NOTA: Prima dell'uso, rimuovere dal pavimento sporco e detriti.

IMPORTANTE: Non usare l'apparecchio senza che il panno sia applicato alla spazzola principale per la pulizia pavimenti.

NOTA: Non usare l'accessorio per pulizia tappeti per pulire pavimenti duri.

1. Collegare l'apparecchio a una presa di corrente. Premere il pulsante di accensione/spengimento: la spia di accensione rossa si illuminerà.
2. Dopo pochi secondi la luce di "vapore pronto" (verde) si accende indicando che l'apparecchio è pronto per l'uso.
3. Inclinare l'apparecchio ponendo un piede sulla spazzola rettangolare e abbassando il corpo principale verso il pavimento. [11]
4. Premere il pulsante della levetta vapore per erogare il vapore. [12]
5. Muovere l'apparecchio avanti e indietro lentamente facendo particolare attenzione alle aree con ingombri. [13]
6. Il cursore per la regolazione variabile del rilascio vapore viene usato per selezionare un volume del vapore Basso, Medio o Alto, a seconda dell'esigenza specifica. [14]

Pulizia a vapore per pavimenti duri - pulizia intensa

Per superfici dure, che richiedono una pulizia profonda, utilizzare la spazzola triangolare per pavimenti. Fare attenzione a questa operazione di pulizia senza utilizzo del panno dove la superficie dovrà essere asciugata separatamente.

NOTA: Prima dell'uso, rimuovere dal pavimento sporco e detriti.

1. Rimuovere la spazzola triangolare dalla spazzola principale premendo il pedale di rilascio sul retro di quest'ultima. [15]
2. Collegare l'apparecchio a una presa di corrente. La spia accensione rossa si illuminerà. Dopo pochi secondi la luce verde di "vapore pronto" si accende indicando che l'apparecchio è pronto per l'uso.

3. Inclinare l'apparecchio ponendo un piede sulla spazzola rettangolare e abbassando il corpo principale verso il pavimento. [16]
4. Premere il pulsante della levetta di rilascio per erogare il vapore. [12]
5. Il cursore per la regolazione variabile del rilascio vapore viene usato per selezionare un volume del vapore Basso, Medio o Alto, a seconda dell'esigenza specifica. [14]
6. Muovere l'apparecchio avanti e indietro lentamente facendo particolare attenzione alle aree con ingombri. [17]

MODALITÀ D'USO DELL'APPARECCHIO A VAPORE PORTATILE

1. Staccare la spina dalla presa di corrente ed assicurarsi che l'apparecchio si sia raffreddato.
2. Premere il pulsante di rilascio sul corpo principale per estrarre l'impugnatura. [19]
3. Tirare il tappo sul serbatoio dell'acqua per aprirlo. [6]
4. Riempire il serbatoio acqua pulita con acqua corrente fredda. Rimettere il tappo [7] e rimontare il serbatoio dell'acqua. Non aggiungere sostanze chimiche, detersivi o profumi nel serbatoio dell'acqua pulita.
5. Collegare l'apparecchio a una presa di corrente. Premere il pulsante di accensione/spengimento: la spia di accensione rossa si illuminerà. [18]
6. Dopo pochi secondi la luce di "vapore pronto" (verde) si accende indicando che l'apparecchio è pronto per l'uso.
7. Premere il pulsante della levetta vapore (sull'impugnatura) per erogare il vapore. [20]
8. Il cursore per la regolazione variabile del rilascio vapore viene usato per selezionare un volume del vapore Basso, Medio o Alto, a seconda dell'esigenza specifica. [14]

NOTA: Al fine di ridurre considerevolmente l'accumulo di minerali e di prolungare la vita della vostra scopa a vapore è raccomandato l'uso di acqua distillata o demineralizzata.

IMPORTANTE: Scollegare sempre l'apparecchio quando si stacca la spazzola principale per la pulizia pavimenti o la maniglia. Prima di staccare la spazzola principale per la pulizia pavimenti assicurarsi sempre che l'apparecchio si sia completamente raffreddato.

ACCESSORI

NOTA: Gli accessori possono essere applicati solo all'apparecchio a vapore portatile.

IMPORTANTE: Controllare la guarnizione sull'imboccatura del vapore prima di ogni utilizzo: se la guarnizione manca o è danneggiata, non usare l'apparecchio, ma contattare il servizio Hoover autorizzato.

Collegare il tubo e le spazzole all'apparecchio a vapore portatile.

1. Collegare il tubo all'imboccatura del vapore dell'unità portatile e ruotare in senso orario fino a quando il tubo è ben fissato in posizione e stabile.
2. Inserire la bocchetta conica nella spazzola inserita nel tubo flessibile. Inserire e ruotare

in senso orario fino a quando la bocchetta conica è ben fissata in posizione.

3. Inserire gli altri piccoli accessori nella bocchetta conica, inserirla e ruotarla in senso orario fino a quando è ben fissata in posizione.

Lavavetri e supporto principale [21]

Il lavavetri deve essere installato sull'imboccatura del vapore dell'unità portatile e ha la funzione di pulire finestre, specchi ed altre superfici di vetro lisce. Posizionare un panno piccolo sul lavavetri. Scegliere l'intensità di vapore ottimale secondo il tipo di tessuto da vaporizzare.

Bocchetta conica Utilizzare su aree molto sporche come docce o cucine.

Spazzola rotonda Utilizzare per la pulizia di grasso o sporco ostinato.

Spazzola metallica piccola Per griglie del forno e scaffali.

Spazzola metallica grande Per griglie del forno e scaffali.

IMPORTANTE: assicurarsi che il tubo e gli accessori siano fissati in modo stabile prima di utilizzare l'apparecchio a vapore portatile; se il vapore fuoriesce dalla giuntura, significa che il tubo e gli accessori non sono stati inseriti correttamente: lasciare che l'unità si raffreddi, quindi rimuovere e riposizionare il tubo e gli accessori.

MANUTENZIONE DELL'APPARECCHIO

IMPORTANTE: PRIMA DI EFFETTUARE QUALSIASI OPERAZIONE DI MANUTENZIONE ASSICURARSI CHE L'APPARECCHIO SI SIA COMPLETAMENTE RAFFREDDATO.

Svuotamento serbatoio acqua

1. Staccare la spina dalla presa di corrente ed assicurarsi che l'apparecchio si sia raffreddato.
2. Rimuovere il serbatoio d'acqua pulita facendo scorrere verso l'alto il pulsante di rilascio acqua ed estrarre il serbatoio dal corpo principale dell'apparecchio. [5]
3. Tirare il tappo sul serbatoio dell'acqua per aprirlo. [6]
4. Svuotare l'acqua dal serbatoio. Riposizionare il tappo, avvitarlo e riporre il serbatoio sull'apparecchio.

Rimozione e pulizia del panno

1. Staccare la spina dalla presa di corrente ed assicurarsi che l'apparecchio si sia raffreddato.
 2. Se necessario rimuovere l'accessorio per la pulizia tappeti, poi staccare il panno dalla base pulizia pavimenti.
 3. Lavare il panno in lavatrice con un detersivo delicato ad una temperatura max 40°C.
- IMPORTANTE:** Non usare candeggina od ammorbidente durante il lavaggio del panno.

RISOLUZIONE DEI PROBLEMI

In caso di problemi, completare questa semplice checklist utente prima di chiamare il centro assistenza Hoover.

L'apparecchio a vapore non si accende.

- Controllare che l'apparecchio sia collegato alla corrente.
- Controllare il cavo.

L'apparecchio a vapore non produce vapore.

- Potrebbe non esserci acqua nel serbatoio acqua pulita.
- Non avete atteso sufficientemente da quando è acceso.

Il panno non raccoglie lo sporco.

- Il panno potrebbe essere già saturo di sporco e ha bisogno di essere lavato. Vedere la sezione "Manutenzione".

DOMANDE FREQUENTI PER LA PULIZIA

Quando il Steam capsule 2in1 è pronto per l'uso? In circa 30 secondi.

Posso usare il Steam capsule 2in1 su tutti i pavimenti? Su tutti i pavimenti duri come il marmo, la ceramica, la pietra, il linoleum, pavimenti in legno sigillato e parquet.

Il Steam capsule 2in1 emette vapore automaticamente? No, per produrre vapore premere il pulsante della levetta erogazione vapore sotto l'impugnatura.

Posso mettere detersivi o altri prodotti chimici all'interno del serbatoio? No, si potrebbe danneggiare l'apparecchio.

Che cosa succede se nella città in cui vivo l'acqua è molto dura? È possibile, e fortemente raccomandato, l'uso di acqua filtrata, o distillata, o demineralizzata.

Dopo quanto tempo il serbatoio dell'acqua deve essere riempito? Dopo 25 minuti se si preme la levetta continuamente.

Il panno è lavabile? Sì, può essere lavato a mano o in lavatrice con un detersivo delicato ad una temperatura max 40°C. Non usare candeggina od ammorbidente.

Con quale frequenza si deve sostituire il panno? Dipende da diversi fattori, soprattutto dal tipo di superfici dure. Il miglior modo per capire quando cambiare il panno è controllarlo dopo averlo lavato e verificare se è ancora sporco o non pulisce più bene come in precedenza.

INFORMAZIONI IMPORTANTI

Parti di ricambio e di consumo Hoover

Utilizzare sempre parti di ricambio originali Hoover, che è possibile acquistare dal distributore locale Hoover o direttamente sul sito internet Hoover. Quando si ordinano delle parti di ricambio, ricordarsi sempre di fornire il numero di modello dell'apparecchio utilizzato.

Parti di consumo

Panni in microfibra (X2) AC36 35601693

Qualità

La qualità degli stabilimenti Hoover è stata sottoposta a valutazione indipendente. I nostri prodotti vengono realizzati mediante un sistema di qualità che soddisfa i requisiti ISO 9001.

Assistenza e garanzia Hoover

Il prodotto è garantito, oltre che ai sensi di legge, alle condizioni e nei termini riportati sul certificato di garanzia convenzionale inserito nel prodotto. Il certificato dovrà essere conservato e mostrato al nostro Centro di Assistenza Tecnica Autorizzato, in caso di necessità, insieme allo scontrino comprovante l'acquisto dell'elettrodomestico. Puoi consultare le condizioni di garanzia anche sul nostro sito internet.

Per ottenere assistenza compila l'apposito form on-line oppure contattaci al numero che trovi indicato nella pagina di assistenza del nostro sito internet.

Queste condizioni potrebbero venire modificate senza obbligo di preavviso.

INSTRUCTIES VOOR VEILIG GEBRUIK

Dit toestel mag enkel gebruikt worden voor reiniging in het huis, zoals beschreven in deze gebruikersgids. Zorg ervoor dat u de instructies volledig begrijpt voordat u het apparaat in gebruik neemt.

Laat het toestel nooit ingeplugd. Schakel het toestel altijd uit en verwijder de plug uit het stopcontact na gebruik, of voor het reinigen van het toestel of elke onderhoudshandeling.

Dit apparaat kan gebruikt worden door personen met beperkte fysieke, sensorische of mentale capaciteiten, of met gebrek aan ervaring en kennis, als hen de juiste supervisie of instructie is gegeven wat betreft het veilige gebruik van het apparaat en zij de risico's hiervan begrijpen. Kinderen mogen niet met het toestel spelen.

Houd het apparaat buiten bereik van kinderen als het aan staat of aan het afkoelen is.

Dit apparaat dient niet gebruikt te worden als het gevallen is, er zichtbare tekenen zijn van beschadiging of als het lekt.

Indien het stroomsnoer beschadigd is, onmiddellijk stoppen met het toestel te gebruiken. Om veiligheidsrisico's te voorkomen, moet het netsnoer worden vervangen door een erkend monteur van Hoover.

Deze machine moet zijn geaard.

Dit apparaat dient niet zonder toezicht te zijn terwijl het verbonden is met de netspanning.

Het apparaat niet buiten gebruiken.

Gebruik enkel toevoegingen, gebruiksartikelen of reserveonderdelen die door Hoover aanbevolen of geleverd zijn.

Gebruik het apparaat niet om stoom te richten op dieren, mensen of planten of deze hiermee schoon te maken.

Vloeistof of stoom dient niet gericht te worden op apparatuur met elektrische componenten, zoals de binnenkant van ovens.

Haal de reiniger uit het stopcontact en zet deze uit alvorens de watercontainer te vullen. Niet voorbij de MAX lijn vullen. De vulopening mag niet geopend worden tijdens gebruik.



Gevaar voor brandwonden.



Oppervlakten zijn geneigd zeer heet te worden tijdens gebruik. Vermijd contact met stoom.

Niet op het snoer staan of het snoer rond armen of benen winden terwijl je het toestel gebruikt.

Plaats het toestel niet boven je tijdens het reinigen van de trap.

Bij gebruik van het schoonmaakgerei zorg altijd dat het apparaat op zijn plaats wordt gehouden met de andere hand. Dit zorgt ervoor dat het apparaat niet valt terwijl het in gebruik is.

De plug of het apparaat niet met natte handen aanraken.

Loop niet over het stroomsnoer wanneer je het toestel gebruikt of verwijder de plug niet door aan het stroomsnoer te trekken.

Blijf dit toestel niet gebruiken wanneer het defect blijkt.

Hoover service: Om de veilige en doeltreffende werking van het apparaat te verzekeren, adviseren wij om onderhoud of reparaties alleen door een erkende onderhoudsmonteur van Hoover uit te laten voeren.

Het apparaat niet in water of andere vloeistoffen onder dompelen.

Geen schoonmaakmiddelen of andere vloeistoffen dan water in het apparaat gebruiken.

Alleen voor GB en Ierland: Dit apparaat heeft een 13 amp netspanning stekker. Als u de zekering in de stekker wilt veranderen, gebruik dan een 13amp ASTA (BS1362) zekering.

Het milieu

Het symbool op dit toestel duidt aan dat dit toestel niet mag behandeld worden als huishoudelijk afval. In de plaats daarvan moet het overhandigd worden aan het geschikte verzamelpunt voor de recyclage van elektrische en elektronische uitrusting. U moet het toestel weggooien in overeenstemming met de lokale voorschriften voor afvalverwerking. Voor meer gedetailleerde informatie over behandeling, herstel en recyclage van dit toestel, gelieve je lokale gemeentebestuur te contacteren, je dienst voor huishoud- en afvalverwerking of de winkel waar je het toestel kocht.



Dit toestel voldoet aan de Europese Richtlijnen 2014/35/EU, 2014/30/EU en 2011/65/EU.

CANDY HOOVER GROUP Srl Via Privata Eden Fumagalli, 20861 Brugherio (MB) Italy

LEER JE REINIGER KENNEN

- A. Stoomuitlaatknop
- B. Montage handgreep
- C. Haken voor opslag bovenste & onderste snoer
- D. Stroomsnoer
- E. Vrijgaveknop handgreep
- F. Handmatige stoom ontgrendel trekker
- G. Hoofdlichaam Stofzuiger
- H. Vrijgavepedaal driehoekige vloerborstel
- I. Driehoekige vloerborstel
- J. Vloerkop*
- K. Handvat bevestigingslocatie
- L. Schuifregelaar voor variabele stoomvrijgave Laag, Gemiddeld & Maximum
- M. Indicatielampje Stroom Aan (Rood)
- N. Stoom-klaar Lampje (Groen)
- O. Aan / Uit-schakelaar
- P. Schoon water tank
- Q. Schoon water reservoir ontgrendelknop
- R. Conisch instrument
- S. Slang
- T. Gebogen mondstuk
- U. Ronde borstel
- V. Kleine metalen borstel
- W. Grote metalen borstel
- X. Ruitenwisser
- Y. Kleine doek
- Z. Textielpad
- AA. Tapijtglijder
- AB. Tapijtglijder ontgrendel pedaal
- AB. Grendel

JE REINIGER MONTEREN

Verwijder alle onderdelen uit de verpakking.

1. Breng het ergonomische handvat in lijn met het hoofdlichaam van de reiniger en zet deze vast met de bijgeleverde grendel. [1,2]
2. Monteer het hoofdhuus van de stofzuiger op de driehoekige vloerborstel. [3]
3. Monteer het hoofdhuus van de stofzuiger op de vloerkop en monteer de driehoekige vloerborstel in de vloerkop*. [4]

*Alleen bepaalde modellen

UW STOFZUIGER GEBRUIKEN

VOORDAT U BEGINT MET SCHOONMAKEN

1. Geef de tank voor schoon water vrij door de watervrijgaveknop omhoog te schuiven en verwijder de tank van het hoofdhuus van de stofzuiger. [5]
2. Trek aan de dop op het waterreservoir om te openen. [6]
3. Vul het schoonwaterreservoir met koud kraanwater. Vervang de dop (7) en zet het waterreservoir er opnieuw op. Voeg geen chemicaliën, reinigingsmiddelen of reukstoffen aan deschoonwatertank toe.

OPM.: Het is zeer aangeraden gedestilleerd of gedemineraliseerd water te gebruiken in de unit om mineralen opbouw te reduceren en de levensspan van de stoomdweil te verlengen.

4. Bevestig een stofdoek aan de basis van de vloerkop. [8]

BELANGRIJK: Haal de stekker van het reinigungsapparaat altijd uit het stopcontact bij het toevoegen van water of het verwisselen van het stofkussen.

OPM.: Was vóór het gebruik de stoffen pads om alle pluisjes te verwijderen

STOOMREINIGING VAN HARDE VLOEREN

OPM.: Veeg of stofzuig vóór het gebruik de vloer om al het vuil en puin te verwijderen.

BELANGRIJK: Gebruik het reinigungsapparaat niet zonder stofdoek bevestigd aan de vloerkop.

OPM.: Gebruik de tapijtglijder niet bij het reinigen van harde vloeren.

1. Steek de stekker van de stoomreiniger in het stopcontact. Druk op de stroom aan/uit knop, de stroom aan knop (rood) zal oplichten.
2. Na een paar seconden zal het groene Stoom klaar-lampje oplichten, wat aangeeft dat de reiniger klaar is voor gebruik.
3. Laat de reiniger achterover leunen door een voet op de vloerkop te zetten en de romp richting de vloer de laten zakken. [11]
4. Om stoom te geven druk op de Stoomactiveringsknop. [12]
5. Beweeg de reiniger langzaam heen en weer en geef daarbij speciale aandacht aan de stukken die intensief worden gebruikt. [13]
6. Verschillende stoomafgifte regelingen worden gebruikt om Laag, Medium of Hoog volume van stoom te selecteren, afhankelijk van uw specifieke reinigungsvereisten. [14]

Stoomreiniging van harde vloeren - intensieve reiniging

Gebruik de driehoekige vloerborstel op harde vloeren die grondige reinigungs vereisen. Denk eraan dat er geen doek is en dat het gebied afzonderlijk moet worden gedroogd.

OPM.: Veeg of stofzuig vóór het gebruik de vloer om al het vuil en puin te verwijderen.

1. Verwijder de driehoekige vloerborstel van de vloerkop door te drukken op het vrijgavepedaal op de achterkant van de vloerkop. [15]

2. Steek de stekker van de stoomreiniger in het stopcontact. Het 'stroom aan' lampje (rood) zal oplichten. Na een paar seconden zal het groene Stoom klaar-lampje oplichten, wat aangeeft dat de reiniger klaar is voor gebruik.
3. Laat de reiniger achterover leunen door een voet op de vloerborstel te zetten en de romp richting de vloer de laten zakken. [16]
4. Voor het produceren van stoom drukt u op de activeringsvrijgaveknop. [12]
5. Verschillende stoom afgifte instellingen worden gebruikt om Laag, Medium of Hoog stoomvolume in te stellen, afhankelijk van uw specifieke reinigingsvereisten. [14]
6. Beweeg de reiniger langzaam heen en weer en geef daarbij speciale aandacht aan de stukken die intensief worden gebruikt. [17]

GEBRUIKSMETHODEN VOOR HANDSTOOMREINIGER

1. Haal de reiniger uit het stopcontact en zorg dat de eenheid afgekoeld is.
2. Druk op de ontgrendelknop op het hoofdlichaam om het draagbare toestel er uit te halen. [19]
3. Trek aan de dop op het waterreservoir om te openen. [6]
4. Vul het schoonwaterreservoir met koud kraanwater. Vervang de dop (7) en zet het waterreservoir er opnieuw op. Voeg geen chemicaliën, reinigingsmiddelen of reukstoffen aan deschoonwatertank toe.
5. Steek de stekker van de stoomreiniger in het stopcontact. Druk op de stroom aan/uit knop, de stroom aan knop (rood) zal oplichten.
6. Na een paar seconden zal het groene Stoom klaar-lampje oplichten, wat aangeeft dat de reiniger klaar is voor gebruik.
7. Voor het produceren van stoom drukt u op de stoomactiveringsknop (manueel). [20]
8. Verschillende stoomafgifte regelingen worden gebruikt om Laag, Medium of Hoog volume van stoom te selecteren, afhankelijk van uw specifieke reinigingsvereisten. [14]

OPM.: Het is zeer aangeraden gedestilleerd of gedemineraliseerd water te gebruiken in de unit om mineralenopbouw te reduceren en de levensduur van de stoomdweil te verlengen.

BELANGRIJK: Haal altijd de stekker van het reinigingsapparaat uit het stopcontact bij het verwijderen van de vloerkop of het handvat. Zorg er altijd voor dat het reinigingsapparaat volledig is afgekoeld voordat u de vloerkop verwijderd.

ACCESSOIRES

OPM.: Accessoires kunnen alleen aan de handmatige stoomreiniger vastgemaakt worden.

BELANGRIJK: Inspecteer het zegel op het stoommondstuk voor ieder gebruik. Als het zegel ontbreekt of beschadigd is, maak dan geen gebruik van het apparaat, gelieve contact op te nemen met de geautoriseerde Hoover service.

Het vastmaken van de slang en de mondstukken aan de handmatige stoomreiniger.

1. Bevestig de slang aan het stoommondstuk van het draagbare apparaat en draai met de klok mee totdat de slang stevig en veilig op zijn plek zit.
2. Verbind het konisch instrument met het mondstuk op de slang. Plaats het erin en draai met de klok mee tot het Konisch Instrument op zijn plaats vergrendeld en veilig is.
3. Bevestig andere kleine accessoires aan de conische tool, voeg deze in en draai met de klok mee tot het goed en veilig op zijn plek zit.

Raam trekker en gebruikskop [21]

De ruitenwisser dient geïnstalleerd te worden op het stoom mondstuk van de handmatige eenheid en wordt gebruikt voor het reinigen van ramen, spiegels en andere gladde glazen oppervlakten. Bevestig de kleine doek op de ruitenwisser. Kies de geschikte stoomintensiteitsinstelling voor het materiaal dat u stoomt.

Conisch instrument Gebruik op zwaar vervuilde gebieden zoals douches, keukens.

Ronde borstel Gebruik op hardnekkig vet en vuil.

Kleine metalen borstel Voor ovenroosters en rekken.

Grote metalen borstel Voor ovenroosters en rekken.

BELANGRIJK: Zorg dat de slang en accessoires goed vast zitten alvorens de handmatige stoomreiniger te gebruiken. Als er stoom ontsnapt uit het verbindingstuk betekent dat dat de accessoires en slang niet op de juiste manier vastgezet zijn. Laat de eenheid afkoelen en verwijder die dan en zet vervolgens de slang en accessoires opnieuw vast.

ONDERHOUD STOFZUIGER

BELANGRIJK: ZORG ER ALTIJD VOOR DAT DE REINIGER HELEMAAL IS AFGEKOELD VOORDAT U ONDERHOUDSWERKZAAMHEDEN GAAT VERRICHTEN.

Leeg de tank voor water

1. Haal de reiniger uit het stopcontact en zorg dat de eenheid afgekoeld is.
2. Geef de tank voor schoon water vrij door de watervrijgaveknop omhoog te schuiven en verwijder de tank van het hoofdhuis van de stofzuiger. [5]
3. Trek aan de dop op het waterreservoir om te openen. [6]
4. Giet een teveel aan water uit het reservoir. Plaats de dop terug en ga terug naar de reiniger.

Het stofdoek verwijderen en reinigen

1. Haal de reiniger uit het stopcontact en zorg dat de eenheid afgekoeld is.
2. Verwijder indien nodig de tapijtglijder en haal vervolgens het stofdoek van de vloerbasis.
3. Was de textielpad in de wasmachine met een mild wasmiddel op een maximumtemperatuur van 40°C.

BELANGRIJK: Niet bleken of wasverzachter gebruiken bij het wassen van het stofdoek.

WAT TE DOEN BIJ PROBLEMEN

Mocht u problemen ondervinden met dit product, loop dan deze eenvoudige checklist na voordat u uw Hoover dealer belt.

De stoomreiniger wil niet aanschakelen.

- Controleer of de stekker van het apparaat in het stopcontact zit.
- Controleer het stroomsnoer.

De stoomreiniger produceert geen stoom.

- Het kan zijn dat er geen water in het schoonwaterreservoir zit.
- U heeft mogelijk niet lang genoeg gewacht bij het aanzetten.

De reinigingsdoek raapt geen vuil op.

- Het kan zijn dat de textielpad al vol zit met vuil en gewassen moet worden.
- Raadpleeg de paragraaf Onderhoud.

SCHOONMAKEN VEELGESTELDE VRAGEN

Wanneer is Steam capsule 2in1 klaar? In ca. 30 seconden.

Kan ik Steam capsule 2in1 gebruiken op alle vloeroppervlakken? Op alle harde vloeren als marmer, keramiek, steen, linoleum, afgedichte hardhouten vloeren en parquet.

Geeft Steam capsule 2in1 automatisch stoom af? Nee, om stoom te genereren dient u de Stoom Trekker Knop onder het handvat in te drukken.

Kan ik reinigingsmiddelen of andere chemicaliën in de tank stoppen? Nee, dan zou het product schade oplopen.

Wat moet ik doen als het water in mijn stad erg hard is? U kunt gefilterd, gedestilleerd of gedemineraliseerd water gebruiken, dit is ten zeerste aan te bevelen.

Hoe lang duurt het voordat een tank met water opnieuw moet worden gevuld? Tot 25 minuten als u continue de trekker indrukt.

Kun je de mop/microvezel doek wassen? Ja, hij kan met de hand of in de wasmachine worden gewassen met een mild reinigingsmiddel bij een max. temperatuur van 40°C. Gebruik geen bleekmiddel of wasverzachter.

Hoe vaak moet ik de mop/microvezel doek vervangen? Dit hangt van verschillende factoren af, boven al van de hardheid van de vloer. De beste manier om te zien of de mop moet worden vervangen is wanneer de mop nog vuil is na hem te hebben gewassen of als je ziet dat hij niet meer zo goed werkt als tevoren.

BELANGRIJKE INFORMATIE

Originele reserveonderdelen en toebehoren van Hoover

Gebruik uitsluitend originele reserveonderdelen van Hoover. Deze zijn verkrijgbaar bij uw Hoover Dealer. Als u onderdelen bestelt, vermeld dan altijd het modelnummer.

Verbruiksartikelen

Microvezelkussens (X2) AC36 35601693

Kwaliteit

De fabrieken van Hoover zijn op onafhankelijke wijze getest op kwaliteit. Onze producten worden vervaardigd aan de hand van een kwaliteitssysteem dat voldoet aan de vereisten van ISO 9001.

Uw garantie

De garantievoorwaarden voor dit toestel worden bepaald door onze vertegenwoordiger in het land waar het toestel wordt verkocht. Bijzonderheden omtrent deze voorwaarden zijn verkrijgbaar bij de dealer waar u het toestel hebt gekocht. Wanneer u aanspraak wilt maken op deze garantie, dan moet u het verkoop- of ontvangstbewijs voorleggen. Wijzigingen zijn zonder voorafgaande kennisgeving mogelijk.

INSTRUÇÕES PARA UMA UTILIZAÇÃO SEGURA

Este aparelho só deve ser utilizado para limpeza doméstica, conforme descrito neste guia do utilizador. Certifique-se de que este manual é totalmente compreendido antes de utilizar o aparelho.

Não deixe o aparelho ligado. Desligue sempre o aparelho e retire a ficha da tomada após a utilização ou antes de o limpar ou executar qualquer tarefa de manutenção.

Este aparelho pode ser utilizado por pessoas com reduzidas capacidades físicas, sensoriais ou mentais, ou ainda com falta de experiência, se supervisionadas durante a utilização ou tiverem recebido instruções relativamente à utilização do aparelho de uma forma segura e compreendam os perigos envolvidos. As crianças não devem brincar com o aparelho.

Mantenha o aparelho fora do alcance das crianças quando estiver ligado à corrente ou estiver a arrefecer.

O aparelho não deve ser utilizado se tiver caído, se existirem sinais visíveis de danos ou se apresentar fugas.

Se o cabo de alimentação estiver danificado deixe de utilizar o aparelho imediatamente. Para evitar um risco de segurança, o cabo de alimentação deve ser substituído por um técnico de assistência autorizado da Hoover.

Este equipamento deve estar ligado à terra.

O aparelho não deve ser deixado sem supervisão enquanto estiver ligado à corrente eléctrica.

Não utilize o aparelho no exterior.

Utilize apenas acessórios, consumíveis ou peças sobressalentes recomendadas ou fornecidas pela Hoover.

Não utilize o aparelho para limpar ou direccionar vapor para animais, pessoas ou plantas.

Não direcione líquidos ou vapor em direcção a equipamento que contenha componentes eléctricos, tais como o interior de fornos.

Desligue o cabo do aspirador da tomada, desligando-o, antes de encher o depósito de água. Não ultrapasse a marca MÁX. A abertura de reabastecimento não deve ser aberta durante a utilização.



Perigo de queimaduras.



As superfícies podem ficar muito quentes durante a utilização. Evite o contacto com vapor.

Não permaneça em cima do cabo de alimentação nem o enrole à volta das pernas ou braços ao utilizar o aparelho.

Não posicione o aparelho num nível superior aquele em que se encontra ao limpar escadas.

Se utilizar os acessórios de limpeza, certifique-se que segura firmemente o aparelho com a outra mão. Deste modo, vai garantir que o aparelho não cai durante a utilização.

Não manuseie a ficha nem o aparelho com as mãos húmidas.

Não passe por cima do cabo de alimentação ao utilizar o aspirador nem retire a ficha puxando pelo cabo de alimentação.

Não continue a utilizar o aparelho se este parecer defeituoso.

Assistência da Hoover: Para assegurar o funcionamento seguro e eficiente deste aparelho, recomendamos que todas as intervenções de assistência ou reparação sejam efectuadas apenas por um técnico de assistência autorizado da Hoover.

Não submerja o aparelho em água ou noutros líquidos.

Não utilize detergentes nem líquidos que não a água no interior do aparelho.

Apenas para o Reino Unido e Irlanda: Este aparelho possui uma ficha eléctrica de 13 amp. Se necessitar substituir o fusível na ficha eléctrica, utilize um fusível de 13 amp ASTA (BS1362).

Ambiente

O símbolo no aparelho indica que este não pode ser tratado como resíduo doméstico. Pelo contrário, deve ser encaminhado para o ponto de recolha aplicável para reciclagem de equipamento eléctrico e electrónico. A eliminação deve ser realizada em conformidade com as leis ambientais locais relativas à eliminação de resíduos. Para obter informações mais detalhadas sobre o tratamento, recuperação e reciclagem deste produto, contacte as autoridades locais, o serviço de eliminação de resíduos domésticos ou a loja onde adquiriu o produto.



Este aparelho encontra-se em conformidade com as Directivas Europeias 2014/35/EU, 2014/30/EU e 2011/65/UE.

CANDY HOOVER GROUP Srl Via Privata Eden Fumagalli, 20861 Brugherio (MB) Italy

APRESENTAÇÃO DO ASPIRADOR

- A. Botão de libertação de vapor
- B. Pega completa
- C. Ganchos de armazenamento de cabos superiores e inferiores
- D. Cabo de alimentação
- E. Botão de libertação manual
- F. Acionador de libertação do vapor manual
- G. Corpo principal do aspirador
- H. Pedal de libertação da escova triangular
- I. Escova triangular
- I2 Cabeça para o pavimento*
- J. Local de fixação da alavanca
- K. Controlo deslizante de libertação de vapor variável na posição Baixa, Média ou Máxima
- L. Luz indicadora de energia ligada (Vermelho)
- M. Luz Vapor pronto (Verde)
- N. Botão para ligar/desligar
- O. Depósito de água limpa
- P. Botão de libertação do depósito de água limpa
- Q. Ferramenta cónica
- R. Tubo flexível
- S. Bocal curvado
- T. Escova redonda
- U. Escova metálica de pequenas dimensões
- V. Escova metálica de grandes dimensões
- W. Rodo para janelas
- X. Pano pequeno
- Y. Protecção têxtil
- Z. Escova para alcatifas
- AA. Pedal de libertação do dispositivo de limpeza de tapetes
- AB. Parafuso

MONTAGEM DO ASPIRADOR

Retire todos os componentes da embalagem.

1. Alinhe a alavanca ergonómica com o corpo principal do aspirador e instale-a na posição correta com o parafuso fornecido. [1,2]
2. Monte o corpo principal do aspirador na escova triangular. [3]
3. Monte o corpo principal do aspirador na cabeça para o pavimento e monte a escova triangular na cabeça para o pavimento*. [4]

UTILIZAR O SEU ASPIRADOR

ANTES DE COMEÇAR A LIMPAR

1. Liberte o depósito de água limpa deslizando o botão de libertação de água para cima e retire o depósito do corpo principal do aspirador. [5]
2. Retire a tampa no depósito de água para abrir. [6]
3. Encha o depósito de água limpa com água fria da torneira. Substitua a tampa [7] e volte a instalar o depósito de água. Não adicione quaisquer produtos químicos, detergentes ou perfumes no depósito de água limpa.

NOTA: Para reduzir significativamente a acumulação de minerais e prolongar a vida da sua esfregona a vapor, é altamente recomendada a utilização de água destilada ou desmineralizada na unidade.

4. Coloque uma protecção têxtil na base da cabeça para o pavimento. [8]

IMPORTANTE: Desligue sempre o aspirador ao adicionar água ou ao mudar uma protecção têxtil.

NOTA: Lave a protecção têxtil antes de utilizar para remover quaisquer fiapos.

LIMPEZA A VAPOR DE PAVIMENTOS DUROS

NOTA: Varra ou aspire sempre o pavimento antes de utilizar para remover a sujidade ou resíduos soltos.

IMPORTANTE: Não utilize o aspirador sem uma protecção têxtil na cabeça para o pavimento.

NOTA: Não utilize a escova para alcatifas quando limpar pavimentos duros.

1. Ligue o aspirador a vapor à alimentação. Prima o botão ligar/desligar, a luz de alimentação irá acender (cor vermelha).
2. Após alguns segundos, a luz verde de “vapor pronto” irá acender-se, indicando que o aspirador está pronto para ser utilizado.
3. Recline o aspirador colocando um pé sobre a cabeça para o pavimento e fazendo descer o corpo principal em direcção ao pavimento. [11]
4. Para produzir vapor prima o botão de vapor. [12]
5. Mova o aspirador lentamente para trás e para a frente prestando particular atenção a áreas muito movimentadas. [13]
6. O controlo de libertação do vapor variável é utilizado para seleccionar o volume de vapor Baixo, Médio ou Elevado, consoante o seu requisito de limpeza específico. [14]

Limpeza a vapor de pisos duros - limpeza intensiva

Utilize a escova para o pavimento triangular em pavimentos duros que necessitem de uma limpeza a fundo. Observe que não há um esfregão e que a área terá de ser seca em separado.

NOTA: Varra ou aspire sempre o pavimento antes de utilizar para remover a sujidade ou resíduos soltos.

1. Retire a escova triangular para o pavimento da cabeça para o pavimento pressionando o pedal de libertação na parte traseira da cabeça para o pavimento. [15]
2. Ligue o aspirador a vapor à alimentação. A luz de alimentação irá acender (cor vermelha). Após alguns segundos, a luz verde de “vapor pronto” irá acender-se, indicando que o aspirador está pronto para ser utilizado.
3. Recline o aspirador colocando um pé sobre a escova para o pavimento e fazendo descer o corpo principal em direcção ao pavimento. [16]
4. Para produzir vapor, prima o botão de libertação de vapor. [12]
5. O controlo de libertação de vapor variável é utilizado para seleccionar o volume de vapor Baixo, Médio ou Alto, consoante o seu requisito específico de limpeza. [14]
6. Mova o aspirador lentamente para trás e para a frente prestando particular atenção a áreas muito movimentadas. [17]

MÉTODOS DE UTILIZAÇÃO DO ASPIRADOR A VAPOR PORTÁTIL

1. Desligue o aspirador da corrente eléctrica e certifique-se de que a unidade arrefeceu.
2. Prima o botão de libertação no corpo principal para retirar a alavanca. [19]
3. Retire a tampa no depósito de água para abrir. [6]
4. Encha o depósito de água limpa com água fria da torneira. Substitua a tampa [7] e volte a instalar o depósito de água. Não adicione quaisquer produtos químicos, detergentes ou perfumes no depósito de água limpa.
5. Ligue o aspirador a vapor à alimentação. Prima o botão ligar/desligar, a luz de alimentação irá acender (cor vermelha).[18]
6. Após alguns segundos, a luz verde de “vapor pronto” irá acender-se, indicando que o aspirador está pronto para ser utilizado.
7. Para produzir vapor prima o botão de vapor (portátil). [20]
8. O controlo de libertação do vapor variável é utilizado para seleccionar o volume de vapor Baixo, Médio ou Elevado, consoante o seu requisito de limpeza específico. [14]

NOTA: Para reduzir significativamente a acumulação de minerais e prolongar a vida da sua esfregona a vapor, é altamente recomendada a utilização de água destilada ou desmineralizada na unidade.

IMPORTANTE: Desligue sempre o aspirador ao remover a cabeça para o pavimento ou o manipulo. Certifique-se sempre de que o aspirador arrefeceu completamente antes de remover a cabeça para o pavimento.

ACESSÓRIOS

NOTA: Os acessórios só podem ser instalados no dispositivo de limpeza a vapor manual.

IMPORTANTE: Controllare la guarnizione sull'imboccatura del vapore prima di ogni utilizzo: se la guarnizione manca o è danneggiata, non usare l'apparecchio, ma contattare

il servizio Hoover autorizzato.

Fixar o tubo flexível e os bocais ao dispositivo de limpeza a vapor manual

1. Instale o tubo flexível ao bocal de vaporização da unidade manual e rode para a direita até o tubo flexível ficar bloqueado e fixo na posição correta.
2. Coloque a ferramenta cónica para o bocal no tubo flexível. Introduza e rode para a direita até a ferramenta cónica estar bloqueada e fixa.
3. Instale outros acessórios de pequenas dimensões na ferramenta cónica introduzindo-os e rodando-os para a direita até ficar bloqueado e fixa na posição correta.

Rodo para janelas e cabeça de utilidade [21]

A espátula de limpeza deve ser instalada no bocal de vaporização da unidade manual e é utilizada para limpar as janelas, espelhos e outras superfícies de vidro. Instale um pano de pequenas dimensões na espátula. Escolha a definição de intensidade de vapor apropriada para o tecido que está a vaporizar.

Ferramenta cónica Utilize em áreas muito sujas tais como duchas, cozinhas.

Escova redonda Utilize em gordura e sujidade difíceis.

Escova metálica de pequenas dimensões Para grelhas e armações de fornos.

Escova metálica de grandes dimensões Para grelhas e armações de fornos.

IMPORTANTE: Certifique-se de que o tubo flexível e os acessórios estão apertados corretamente antes de utilizar o dispositivo de limpeza a vapor manual. Se o vapor sair da união significa que o tubo flexível e os acessórios não estão apertados corretamente. Permita que a unidade arrefeça e, em seguida, retire e volte a instalar o tubo flexível e os acessórios.

MANUTENÇÃO DO ASPIRADOR

IMPORTANTE: CERTIFIQUE-SE SEMPRE DE QUE O ASPIRADOR ARREFECEU POR COMPLETO ANTES DE EFECTUAR TAREFAS DE MANUTENÇÃO.

Esvaziar o depósito de água

1. Desligue o aspirador da corrente eléctrica e certifique-se de que a unidade arrefeceu.
2. Liberte o depósito de água limpa deslizando o botão de libertação de água para cima e retire o depósito do corpo principal do aspirador. [5]
3. Retire a tampa no depósito de água para abrir. [6]
4. Retire a água em excesso do depósito. Volte a colocar a tampa e coloque no aspirador.

Remover e limpar a protecção têxtil

1. Desligue o aspirador da corrente eléctrica e certifique-se de que a unidade arrefeceu.

2. Se necessário, retire a escova para alcatifas e, em seguida, remova a protecção têxtil da base para o pavimento.
3. Lave a protecção têxtil numa máquina de lavar roupa com um detergente suave à temperatura máxima de 40°C.

IMPORTANTE: Não deve usar lixívia nem detergentes abrasivos ou amaciador de roupa para lavar os componentes em tecido.

RESOLUÇÃO DE PROBLEMAS

Se tiver algum problema com o aparelho, preencha esta simples lista de verificação do utilizador antes de chamar o serviço de assistência Hoover local.

O aspirador a vapor não liga.

- Verifique se a unidade está ligada à alimentação.
- Verifique o cabo de alimentação.

O dispositivo de limpeza a vapor não está a produzir vapor.

- O depósito de água do aspirador pode estar vazio.
- Pode não ter aguardado tempo suficiente ao ligar.

O pano de limpeza não atrai sujidade.

- A protecção de limpeza já pode estar repleta de sujidade e necessitar ser lavada. Consulte a secção de manutenção.

PERGUNTAS MAIS FREQUENTES SOBRE LIMPEZA

Quanto tempo demora até o Steam capsule 2in1 estar pronto? Aproximadamente 30 segundos.

Posso utilizar o Steam capsule 2in1 em todas as superfícies? Em todos os pavimentos duros como mármore, cerâmica, pedra, linóleo, madeira e parquet.

O Steam capsule 2in1 emite vapor automaticamente? Não, para produzir vapor deve pressionar o botão acionador de vapor sob a alavanca.

Posso colocar detergentes ou outros produtos químicos no interior do depósito? Não, isso iria danificar o produto.

E se na minha área de residência a água for muito dura? É altamente recomendado utilizar água filtrada, destilada ou não mineralizada.

Qual a duração de um depósito de água até ser necessário enchê-lo novamente? Até 25 minutos se pressionar o acionador de forma contínua.

A esfregona é lavável? Sim, pode ser lavada à mão ou na máquina de lavar com um detergente suave à temperatura máxima de 40°C. Não utilize lixívia nem amaciadores.

Com que frequência devo substituir a esfregona? Depende de diversos factores, mas principalmente da dureza do pavimento. A melhor forma de saber quando deve substituir a esfregona é quando ainda estiver suja após tê-la lavado ou se detectar que o seu desempenho diminuiu.

INFORMAÇÕES IMPORTANTES

Peças sobressalentes e consumíveis Hoover

Substitua sempre as peças por peças sobressalentes Hoover genuínas. Pode obtê-las junto do seu representante local ou directamente da Hoover. Quando encomendar peças, mencione sempre o número do seu modelo.

Consumíveis

Panos em microfibra (X2) AC36 35601693

Qualidade

A qualidade das instalações industriais da Hoover foi avaliada de forma independente. Os nossos produtos são fabricados de acordo com um sistema de qualidade que satisfaz os requisitos da norma ISO 9001.

Garantia

As condições de garantia para este aparelho são as definidas pelo nosso representante no país onde foi vendido. Pode obter detalhes sobre estas condições junto do agente a quem adquiriu o aparelho. A factura de venda ou o recibo deverão ser entregues quando apresentar uma reclamação ao abrigo dos termos da garantia.

Sujeito a alteração sem aviso prévio.

INSTRUCCIONES PARA UN USO SEGURO

Este aparato sólo debe utilizarse para la limpieza doméstica habitual, como se describe en este manual de usuario. Asegúrese de haber comprendido todo el contenido de este manual antes de poner en funcionamiento el aparato.

No deje enchufado el aparato. Apague y desenchufe siempre el aparato antes de limpiarlo o de realizar cualquier labor de mantenimiento.

Este electrodoméstico puede ser utilizado por personas cuyas capacidades físicas, sensoriales o mentales estén disminuidas o que carezcan de la experiencia y los conocimientos suficientes para manejarlo, siempre que cuenten con las instrucciones o la supervisión sobre el uso del electrodoméstico de forma segura y comprendan los riesgos. Los niños no deben jugar con el aparato.

Mantenga el electrodoméstico fuera del alcance de los niños cuando esté conectado o se esté enfriando.

El electrodoméstico no debe utilizarse si se ha caído o presenta señales visibles de daños o si tiene una fuga.

Si el cable de alimentación está dañado, deje de utilizar el aparato inmediatamente. Para evitar riesgos de seguridad, el cable de alimentación sólo puede ser cambiado por un especialista del servicio técnico de Hoover.

Este aparato debe tener conexión a tierra.

El electrodoméstico no debe dejarse sin supervisión mientras esté conectado a la red de alimentación.

No utilice el electrodoméstico al aire libre.

Utilice únicamente accesorios, consumibles o repuestos recomendados o distribuidos por Hoover.

No utilice el electrodoméstico para limpiar o dirigir el vapor hacia personas, animales o plantas.

El líquido o el vapor no debe orientarse hacia equipos con componentes eléctricos, como por ejemplo, en el interior de los hornos.

Desconecte el aspirador y apáguelo antes de llenar el contenedor del agua. No sobrepase la marca de llenado MÁX. La abertura de llenado debe estar cerrada durante el uso.



Peligro de quemaduras.



Es probable que las superficies se calienten durante el uso. Evite el contacto con el vapor.

No pise el cable ni lo enrolle en los brazos ni en las piernas al utilizar el aparato.

No sitúe el aparato por encima de usted cuando esté limpiando las escaleras.

Al utilizar utensilios de limpieza, asegúrese siempre de sujetar firmemente el aparato con la otra mano. De esta manera evitará que éste caiga durante el uso.

No manipule el enchufe o el aparato con las manos húmedas.

No pase por encima del cable de alimentación cuando utilice el aparato ni lo desenchufe tirando del cable.

No siga utilizando su aparato si parece tener algún defecto.

Servicio Técnico de Hoover: Para garantizar el funcionamiento seguro, eficaz y duradero del aspirador, recomendamos que las tareas de mantenimiento sean realizadas exclusivamente por técnicos autorizados del servicio Técnico de Hoover.

No sumerja el electrodoméstico en agua u otros líquidos.

No utilice detergentes o líquidos distintos del agua en el interior del electrodoméstico.

Sólo para Reino Unido e Irlanda: Este electrodoméstico dispone de un enchufe de red de 13 amperios. Si necesita cambiar el fusible del enchufe de red, utilice un fusible de 13 amperios ASTA (BS1362).

El Medio Ambiente:

El símbolo que puede verse en el producto indica que éste no puede tratarse como residuo doméstico. En su lugar, se debe entregar en un punto de recogida de electrodomésticos para el reciclaje de equipos eléctricos y electrónicos. La eliminación debe llevarse a cabo según los reglamentos medioambientales locales sobre eliminación de residuos. Para información más detallada sobre el tratamiento, la recuperación y el reciclaje de este aparato, póngase en contacto con su Ayuntamiento, su servicio de recogida de residuos domésticos o con el establecimiento donde haya comprado el producto.



Esta aparato cumple con las Directivas europeas 2014/35/EU, 2014/30/EU y 2011/65/EU.

INFORMACIÓN SOBRE EL ASPIRADOR

- A. Interruptor de vapor
- B. Conjunto del mango
- C. Gancho superior y gancho inferior de almacenamiento del cable
- D. Cable de alimentación
- E. Botón de desenganche de la unidad portátil
- F. Interruptor de vapor de la unidad portátil
- G. Cuerpo principal del aparato
- H. Pedal para liberar el cepillo triangular
- I. Cepillo triangular
- I2 Cabezal para la limpieza de suelos*
- J. Lugar de fijación del mango
- K. Control deslizante para la emisión de vapor variable Bajo, Mediano y Alto
- L. Luz indicadora de Encendido (Rojo)
- M. Luz de vapor “a punto” (Verde)
- N. Botón de Encendido/Apagado
- O. Depósito de agua limpia
- P. Botón de desenganche del depósito de agua limpia
- Q. Accesorio cónico
- R. Manguera
- S. Tobera curvada
- T. Cepillo redondo
- U. Cepillo pequeño de metal
- V. Cepillo grande de metal
- W. Accesorio recoge líquidos
- X. Paño pequeño
- Y. Mopas
- Z. Deslizador para alfombras y tapetes
- AA. Pedal para liberar el deslizador para alfombras y tapetes
- AB. Perno

MONTAJE DEL ASPIRADOR

Saque todas las piezas del embalaje.

1. Alinee el mango ergonómico con el cuerpo principal de la limpiadora y fíjelo en su lugar con el perno suministrado. [1,2]
2. Ensamble el cuerpo principal del aspirador con el cepillo triangular. [3]
3. Ensamble el cuerpo principal del aspirador con el cabezal para la limpieza de suelos y monte el cepillo triangular en el cabezal para la limpieza de suelos*. [4]

*Sólo para algunos modelos

USO DEL ASPIRADOR

ANTES DE EMPEZAR A LIMPIAR

1. Suelte el depósito de agua limpia deslizando el botón de emisión de agua hacia arriba y extraiga el depósito del cuerpo principal del aspirador. [5]
2. Tire la tapa del depósito de agua para abrirlo. [6]
3. Llene el depósito de agua limpia con agua fría del grifo. Vuelva a colocar la tapa [7] y encaje de nuevo el depósito de agua. No añada químicos, detergentes ni perfumes al depósito de agua limpia.

NOTA: Para reducir de manera significativa la acumulación de minerales y extender la vida útil de su mopa, es sumamente recomendable utilizar agua destilada o desmineralizada.

4. Ponga una almohadilla de tejido en la base del cabezal para la limpieza de suelos. [8]

IMPORTANTE: Desconecte siempre el aparato cuando vaya a añadir agua o cambiar la mopa.

NOTA: Lave la almohadilla antes de utilizarla para eliminar pelusas.

LIMPIEZA DE SUELOS DUROS CON VAPOR

NOTA: Siempre barra o aspire el suelo antes del uso para eliminar cualquier suciedad o restos.

IMPORTANTE: No use la limpiadora sin la mopa puesta en el cabezal para la limpieza de suelos.

NOTA: No use el deslizador para alfombras al limpiar suelos duros.

1. Conecte la limpiadora de vapor a la corriente eléctrica. Presione el botón de encendido/apagado, la luz de encendido (roja) se iluminará.
2. Después de unos segundos, el indicador luminoso verde de “vapor listo” se enciende para señalar que la limpiadora está lista para el uso.
3. Incline la limpiadora poniendo un pie en el cabezal para la limpieza de suelos y bajando el cuerpo principal hacia el suelo. [11]
4. Para producir vapor, presione el interruptor de vapor. [12]
5. Mueva la limpiadora lentamente hacia adelante y hacia atrás, prestando atención especial a las áreas de alta circulación. [13]
6. El control para la emisión de vapor variable se utiliza para seleccionar un volumen de vapor Bajo, Mediano o Alto, en base a sus requisitos de limpieza específicos. [14]

Limpieza de suelos duros con vapor - limpieza intensiva

Use el cepillo triangular para suelos en superficies duras que requieran limpieza profunda. Cabe señalar que no hay fregona y la zona deberá secarse por separado.

NOTA: Siempre barra o aspire el suelo antes del uso para eliminar cualquier suciedad o restos.

1. Extraiga el cepillo para suelos triangular del cabezal para la limpieza de suelos

presionando el pedal de liberación en la parte trasera del cabezal para la limpieza de suelos. [15]

2. Conecte la limpiadora de vapor a la corriente eléctrica. La luz de encendido (roja) se iluminará. Después de unos segundos, el indicador luminoso verde de vapor "A punto" se enciende para señalar que la limpiadora está lista para el uso.
3. Incline la limpiadora poniendo un pie en el cepillo para suelos y bajando el cuerpo principal hacia el suelo. [16]
4. Para producir vapor presione el interruptor de vapor. [12]
5. El control para la emisión de vapor variable se utiliza para seleccionar un volumen de vapor Bajo, Mediano o Alto, en base a sus requisitos de limpieza específicos. [14]
6. Mueva el aparato lentamente hacia adelante y hacia atrás, prestando especial atención a las áreas de alta circulación. [17]

MÉTODOS DE USO PARA LA LIMPIADORA A VAPOR PORTÁTIL

1. Desconecte la limpiadora de la red eléctrica y asegúrese de que la unidad esté fría.
2. Pulse el botón de desenganche ubicado en el cuerpo principal para extraer la unidad portátil. [19]
3. Tire la tapa del depósito de agua para abrirlo. [6]
4. Llene el depósito de agua limpia con agua fría del grifo. Vuelva a colocar la tapa [7] y encaje de nuevo el depósito de agua. No añada químicos, detergentes ni perfumes al depósito de agua limpia.
5. Conecte la limpiadora de vapor a la corriente eléctrica. Presione el botón de encendido/apagado, la luz de encendido (roja) se iluminará. [18]
6. Después de unos segundos, el indicador luminoso verde de "vapor listo" se enciende para señalar que la limpiadora está lista para el uso.
7. Para producir vapor pulse el botón del vapor (portátil). [20]
8. El control para la emisión de vapor variable se utiliza para seleccionar un volumen de vapor Bajo, Mediano o Alto, en base a sus requisitos de limpieza específicos. [14]

NOTA: Para reducir de manera significativa la acumulación de minerales y extender la vida útil de su mopa, es sumamente recomendable utilizar agua destilada o desmineralizada.

IMPORTANTE: **Desenchufe siempre la limpiadora cuando quite el cabezal para la limpieza de suelos o el mango. Asegúrese siempre de que la limpiadora se haya enfriado por completo antes de extraer el cabezal para la limpieza de suelos.**

ACCESORIOS

NOTA: Los accesorios se pueden acoplar únicamente en la limpiadora de vapor portátil.

IMPORTANTE: Inspeccione la junta que se encuentra en la tobera del vapor antes de cada uso, si falta la tobera o está dañada, no utilice el electrodoméstico, contacte con el servicio autorizado Hoover.

Para acoplar la manguera y las toberas en la limpiadora de vapor portátil

1. Encaje la manguera en la tobera del vapor de la unidad portátil y gire en el sentido de las agujas del reloj hasta que la manguera se bloquee en su lugar y esté fija.
2. Instale el accesorio cónico a la tobera en el tubo de conexión. Inserte y gire hacia la derecha hasta que el accesorio cónico esté bloqueado en su posición y asegurado.
3. Encaje otros pequeños accesorios en el Accesorio cónico. Introduzca y gire en el sentido de las agujas del reloj hasta que se bloquee en su lugar y esté fijo.

Limpiador de ventanas y cabezal de uso general [21]

El accesorio recoge líquidos debe instalarse en la tobera del vapor de la unidad portátil y se utiliza para limpiar ventanas, espejos y otras superficies de vidrio lisas. Coloque un pequeño paño en el accesorio recoge líquidos. Elija la configuración de intensidad del vapor adecuada para el tejido en el cual se emite el vapor.

Accesorio cónico Usar en áreas muy sucias como en duchas, cocinas, etc...

Cepillo redondo Para quitar la grasa y suciedad difíciles

Cepillo pequeño de metal Usar en parrillas de hornos y rejillas

Cepillo grande de metal Usar en parrillas de hornos y rejillas

IMPORTANTE: asegúrese de que la manguera y los accesorios estén fijados firmemente antes de utilizar la limpiadora de vapor portátil, si el vapor sale de la junta significa que la manguera y los accesorios no están encajados correctamente, deje enfriar la unidad y luego extraiga y vuelva a encajar la manguera y los accesorios.

MANTENIMIENTO DEL ASPIRADOR

IMPORTANTE: ASEGÚRESE SIEMPRE DE QUE LA LIMPIADORA SE HAYA ENFRIADO POR COMPLETO ANTES DE LLEVAR A CABO OPERACIONES DE MANTENIMIENTO.

Vaciado del depósito de agua

1. Desconecte la limpiadora de la red eléctrica y asegúrese de que la unidad esté fría.
2. Suelte el depósito de agua limpia deslizando el botón de emisión de agua hacia arriba y extraiga el depósito del cuerpo principal del aspirador. [5]
3. Tire la tapa del depósito de agua para abrirlo. [6]
4. Vacíe el agua de más que haya en el depósito. Vuelva a poner el tapón en la limpiadora.

Extracción y limpieza del paño

1. Desconecte la limpiadora de la red eléctrica y asegúrese de que la unidad esté fría.
2. De ser necesario, quite el deslizador para alfombras, y luego separe la almohadilla de la base.
3. Lave la mopa en la lavadora con un detergente delicado a una temperatura máxima de 40°C.

IMPORTANTE: No use lejía o suavizantes textiles para lavar la mopa.

RESOLUCIÓN DE PROBLEMAS

Si surgiera algún problema con el producto, lleve a cabo las sencillas comprobaciones que se enumeran a continuación antes de llamar a su Servicio Técnico Hoover más cercano.

El aparato no se enciende.

- Revise que la unidad esté enchufada.
- Revise el cable de alimentación.

La limpiadora de vapor no produce vapor.

- Puede que no haya agua en el depósito de agua limpia.
- Puede que al encender no espere un tiempo suficiente.

La mopa no recoge la suciedad.

- La almohadilla de limpieza puede estar saturada de suciedad y debe lavarse. Consulte la sección de mantenimiento.

PREGUNTAS FRECUENTES SOBRE LA LIMPIEZA

¿Cuándo está lista Steam capsule 2in1? Aproximadamente en 30 segundos

¿Puedo usar Steam capsule 2in1 en todas las superficies de suelo? En todos los suelos duros como mármol, cerámica, piedra, linóleo, suelos de madera dura sellados y parquet.

¿Steam capsule 2in1 emite vapor automáticamente? No, para producir vapor se debe presionar el botón vapor debajo de la empuñadura.

¿Puedo poner detergentes u otros químicos dentro del depósito? No, se dañaría el producto.

¿Qué ocurre si mi ciudad tiene agua muy dura? Puede utilizar agua filtrada, destilada o desmineralizada y se recomienda encarecidamente hacerlo.

¿Cuánto tiempo durará un depósito de agua antes de que deba rellenarse? Hasta 25 minutos si presiona continuamente el interruptor.

¿Se puede lavar la fregona? Sí, se puede lavar a mano o en la lavadora con un detergente suave a una temperatura máxima de 40°C. No utilice blanqueador ni suavizante de tela.

¿Con qué frecuencia debo cambiar la fregona? Depende de diferentes factores, especialmente de la dureza del suelo. La mejor forma de entender cuándo cambiar la fregona es cuando siga sucia después de haberla lavado, o si observa que su desempeño no es igual que antes.

INFORMACIÓN IMPORTANTE

Piezas de repuesto y consumibles Hoover

Utilice siempre piezas de repuesto originales de Hoover. Puede adquirirlas a través de su Servicio Técnico de Hoover. Cuando realice pedidos de piezas, indique siempre el número de modelo que posee.

Piezas/consumibles

Mopas de microfibra (X2) AC36 35601693

Calidad

Las fábricas de Hoover han sido sometidas a inspecciones de calidad independientes. Nuestros productos se fabrican de conformidad con un sistema de calidad que cumple los requisitos de la norma ISO 9001.

Su garantía

Las condiciones de garantía para este aparato vienen definidas por nuestro representante en el país de venta. Puede obtener los detalles acerca de estas condiciones en el establecimiento donde haya comprado este aparato. Debe mostrarse la factura de compra o el recibo al hacer alguna reclamación en virtud de las condiciones de garantía. Sujeto a cambios sin previo aviso.

INSTRUKTIONER FOR SIKKER ANVENDELSE

Denne støvsuger må kun anvendes til almindelig husholdningsrengøring, som beskrevet i brugsanvisningen. Du bør sikre dig, at du har forstået indholdet af denne brugervejledning fuldt ud, inden apparatet tages i brug.

Efterlad ikke støvsugeren tilsluttet. Inden du rengør eller foretager vedligeholdelse af støvsugeren, skal du altid slukke for den og tage stikket ud af stikkontakten.

Dette apparat kan anvendes af personer med nedsatte fysiske, sensoriske eller mentale evner eller manglende erfaring og viden, hvis de er under opsyn eller vejledning i at bruge apparatet på en sikker måde og forstår de risici, der er involveret. Børn må ikke lege med udstyret.

Hold apparatet uden for rækkevidde af børn, når det tændes, eller mens det køler ned.

Apparatet må ikke bruges, hvis det har været tabt, hvis der er synlige tegn på beskadigelse, eller hvis det lækker.

Hvis netledningen er ødelagt, skal du stoppe med at bruge støvsugeren øjeblikkeligt. For at undgå en sikkerhedsrisiko skal en autoriseret Hoover-servicetekniker udskifte strømledningen.

This appliance must be earthed.

Apparatet må ikke efterlades uden opsyn mens det er tilsluttet til lysnettet.

Brug aldrig apparatet udendørs.

Anvend kun tilbehør, udstyr og reservedele leveret af Hoover.

Brug aldrig apparatet til at rengøre eller rette dampstrålen mod andre mennesker, dyr eller planter.


Ret aldrig dampstrålen mod udstyr, som indeholder elektriske komponenter, f.eks. inden i en ovn.

Afbryd strømmen til apparatet, før der fyldes vand i vandbeholderen. Påfyld ikke mere vand en til MAX-mærket. Påfyldningsåbningen må ikke åbnes under brug.



Fare for skoldning



Overfladerne angivet med  kan blive meget varme under brug. Undgå berøring med damp.

Snur hverken ledningen om arme eller ben eller stå på den, mens du bruger støvsugeren.

Undlad at lade støvsugeren stå oven for dig, når du rengør trapper.

Ved brug af rengøringsværktøjet skal du støtte apparatet med den anden hånd. Dette vil sikre at produktet ikke vil fungere forkert under brugen.

Rør aldrig ved stikket eller apparatete med våde hænder.

Undlad at køre over strømkablet når du bruger din støvsuger og undlad at trække stikket ud ved at trække i strømkablet, men hold fast i stikket.

Lad være med at fortsætte at bruge støvsugeren, hvis den ser ud til at være defekt.

Hoover service: For at sikre løbende sikker og effektiv drift af denne støvsuger anbefaler vi, at eftersyn eller reparationer udelukkende udføres af en autoriseret Hoover-servicetekniker.

Anbring aldrig apparatet i vand eller andre væsker.


Hæld aldrig rensmidler eller andre væsker end vand i apparatet.

Kun for UK og Irland: Dette stik er monteret med en sikring på 13 ampere. Hvis du har brug for at skifte lysnetsikring, brug da en 13 amp ASTA (BS1362) sikring

Miljøet

Symbolet på produktet angiver, at produktet ikke må behandles som husholdningsaffald. Det skal i stedet afleveres til en relevant affaldsstation for genbrug af elektrisk og elektronisk udstyr. Bortskaffelse skal ske i overensstemmelse med de lokale miljøregler vedrørende bortskaffelse af affald. For mere detaljeret information om behandling, genvinding og genbrug af dette produkt, henvend dig da til den lokale kommune, til dit affaldsselskab eller den forretning hvor du købte produktet.



 Denne støvsuger overholder bestemmelserne is EU Direktiverne 2014/35/EU, 2014/30/EU og 2011/65/EU.

CANDY HOOVER GROUP Srl Via Privata Eden Fumagalli, 20861 Brugherio (MB) Italy

LÆR DIN STØVSUGER AT KENDE

- A. Dampudløser
- B. Samling af håndtag
- C. Øverste og nederste kroge for opbevaring af ledning
- D. Strømledning
- E. Håndholdt udløserknap
- F. Håndholdt dampudløser
- G. Støvsugerens hoveddel
- H. Udløserpedal til trekantet børste
- I. Trekantet børste
- I2 Gulvmundstykke*
- J. Håndtag med fikseret placering
- K. Slider til variabel damp: Lav, Medium og Maksimum
- L. Indikatorlampe for TÆNDT (Rød)
- M. Damp klar-lampen (Grøn)
- N. Tænd/sluk-knap
- O. Tank til rent vand
- P. Udløserknap for tanken til rent vand
- Q. Konisk værktøj
- R. Slange
- S. Buet mundstykke
- T. Rund Børste
- U. Lille metalbørste
- V. Stor metalbørste
- W. Vinduesskraber
- X. Lille klud
- Y. Tekstilpude
- Z. Tæppemundstykke
- AA. Tæppemundstykke udløserpedal
- AB. Bolt

MONTERING AF DIN DAMPRENSER

Udtag alle komponenter fra emballagen.

1. Juster det ergonomiske håndtag til støvsugerens primære maskine, og fikser dens position med den medfølgende bolt. [1,2]
2. Sæt støvsugerens hoveddel fast ovenpå det trekantede børstehoved! [3]
3. Sæt støvsugerens hoveddel sammen med børstehovedet og monter derefter den trekantede børste på børstehovedet*. [4]

*Kun til visse modeller

BRUG AF STØVSUGEREN

FØR DU BEGYNDER AT STØVSUGE

1. Frigør beholderen til rent vand ved at skubbe knappen til vandfrigørelse opad og fjern beholderen fra maskinens hoveddel [5]
2. Fjern låget fra vandtanken for at åbne den. [6]
3. Fyld vandtanken med koldt vand fra hanen. Skift låget [7] og genopfyld vandtanken. Tag rentvandstanken op og ud af renserhoveddelen.

BEMÆRK: Det er stærkt anbefalet at bruge destilleret eller demineraliseret vand med enheden for at reducere ophobningen af mineraler og forlænge din dampmoppes levetid betydeligt.

4. Vedhæft en stofklud til basis af gulvmundstykket. [8]

VIGTIGT: Fjern altid ledningen fra stikkontakten, når der tilføres vand eller stofkluden skiftes.

BEMÆRK: Der må ikke tilsættes kemikalier, rengøringsmidler eller parfume til rentvandstanken.

DAMPRENSNING AF HÅRDE GULVE

BEMÆRK: Vask tekstilpuden før brug for at fjerne fnuller.

VIGTIGT: Brug ikke damprenseren uden en stofklud fæstnet til gulvmundstykket.

BEMÆRK: Brug ikke tæppeskyderen, når der støvsuges hårde gulve.

1. Sæt ledningen til dampstøvsugereren i vægkontakten. Tryk på til/fra strømknappen, og indikatorknappen for aktiv strøm vil lyse (rødt).
2. Efter nogle få sekunder lyser lampen for Damp klar grønt, som angiver, at støvsugereren er klar til brug.
3. Læg støvsugereren ned ved at anbringe en fod på gulvmundstykket og sænke selve støvsugereren mod gulvet. [11]
4. Tryk på knappen Dampudløser for at frembringe damp. [12]
5. Flyt støvsugereren langsomt frem og tilbage, og vær særlig opmærksom, hvis der går folk forbi. [13]
6. Variabel dampudløserkontrol bruges til at vælge Lav, Medium, eller Høj volumen af damp, afhængig af dine specifikke rengøringskrav. [14]

Damprensning af hårde gulve - Intensiv rengøring

Gulvet skal fejes eller støvsuges før brug for at fjerne løst snavs eller affald. Du bedes bemærke at der ikke findes en moppe, hvorfor området har brug for at tørre separat.

BEMÆRK: Vask tekstilpuden før brug for at fjerne fnuller.

1. Fjern gulvbørsten fra børstehovedet ved at trykke på udløserpedalen bagpå. [15]
2. Sæt ledningen til dampstøvsugereren i vægkontakten. Indikatorknappen for aktiv strøm vil lyse (rødt). Efter nogle få sekunder lyser lampen for Damp klar grønt, som angiver, at støvsugereren er klar til brug.

3. Læg støvsugerens ned ved at anbringe en fod på gulvbørsten og sænke selve støvsugerens mod gulvet. [16]
4. Tryk på dampudløserknappen for at frembringe damp. [12]
5. Variabel dampudløserkontrol bruges til at vælge Lav, Medium, eller Høj volumen for damp, afhængig af dine specifikke rengøringskrav. [14]
6. Flyt støvsugerens langsomt frem og tilbage, og vær særlig opmærksom, hvis der går folk forbi. [17]

ANVENDELSESMÅDER FOR HÅNDHOLDT DAMPRENSER

1. Tag støvsugerledningen ud af vægkontakten, og vent, indtil apparatet er afkølet.
2. Tryk på udløserknappen på den primære maskine for at fjerne den håndholdte. [19]
3. Fjern låget fra vandtanken for at åbne den. [6]
4. Fyld vandtanken med koldt vand fra hanen. Skift låget [7] og genopfyld vandtanken. Tag rentvandstanken op og ud af rensenhoveddelen.
5. Sæt ledningen til dampstøvsugerens i vægkontakten. Tryk på til/fra strømknappen, og indikatorknappen for aktiv strøm vil lyse (rødt). [18]
6. Efter nogle få sekunder lyser lampen for Damp klar grønt, som angiver, at støvsugerens er klar til brug.
7. Tryk på dampudløseren (håndholdt) for at opbygge damp. [20]
8. Variabel dampudløserkontrol bruges til at vælge Lav, Medium, eller Høj volumen af damp, afhængig af dine specifikke rengøringskrav. [14]

BEMÆRK: for at reducere aflejring af kalk, og forlænge levetiden for din dampmoppe, anbefales det at benytte destilleret eller af-mineraliseret vand.

VIGTIGT: Tag altid ledningen ud af stikkontakten, når du fjerner gulvmundstykket eller håndtaget. Sørg altid for, at damprenseren er kølet af, før du fjerner gulvmundstykket.

TILBEHØR

BEMÆRK: Tilbehør kan kun vedhæftes på den håndholdte damprenser.

VIGTIGT: Inspicer seglet på dampmundstykket før hvert brug, hvis seglet mangler eller er beskadiget må du ikke benytte apparatet, kontakt venligst din autoriserede Hoover forhandler.

Vedhæft slangen og mundstykket på den håndholdte damprenser.

1. Placer slangen på dampmundstykket på den håndholdte enhed, og drej den med uret indtil slangen er i en låst og sikret position.
2. Montér det koniske stykke til slangens mundstykke. Isæt og rotér med uret til det koniske stykke er i en låst og sikret position.
3. Monter andre mindre tilbehør til det koniske stykke, indsæt og drej med uret indtil det er i en låst og sikret position.

Vinduesskraber og møbel polstring [21]

Vinduesskraberens skal monteres på dampmundstykket på den håndholdte enhed, og bruges til at rense vinduer, spejle, og andre glatte glasflader. Monter en lille klud på vinduesskraberens. Vælg den indstilling af dampkraft, der er passende til det stof, der skal dampes.

Konisk værktøj Anvendes på meget snavsede områder såsom brusebade og køkkener.

Rund Børste Anvend på genstridigt fedt og snavs.

Lille metalbørste For ovn- og grillriste.

Stor metalbørste For ovn- og grillriste.

VIGTIGT: kontroller at slangen og tilbehøret er korrekt monteret før du bruger den håndholdte damprenser, hvis der kommer damp ud mellem sammenføjningerne betyder det at slangen og tilbehøret ikke er monteret korrekt, lad enheden køle af, hvorefter slangen og tilbehøret fjernes og monteres igen.

VEDLIGEHOLDELSE AF STØVSUGEREN

VIGTIGT: SØRG ALTID FOR, AT STØVSUGEREN ER HELT AFKØLET, FØR DU UDFØRER ENHVER FORM FOR VEDLIGEHOLDELSE.

Tøm tanken med vand.

1. Tag støvsugerledningen ud af vægkontakten, og vent, indtil apparatet er afkølet.
2. Frigør beholderen til rent vand ved at skubbe knappen til vandfrigørelse opad og fjern beholderen fra maskinens hoveddel [5]
3. Fjern låget fra vandtanken for at åbne den. [6]
4. Tøm evt. overskydende vand fra vandtanken. Sæt hættens på igen, og sæt vandtanken fast på støvsugerens igen.

Fjern og rens stofkluden.

1. Tag støvsugerledningen ud af vægkontakten, og vent, indtil apparatet er afkølet.
2. Fjern tæppeskyderen, hvis nødvendigt. Træk derefter stofkluden af gulvbasis.
3. Vask tekstilpuden i en vaskemaskine med et mildt vaskemiddel ved max 40°C.

VIGTIGT: Du bør ikke bruge blegemiddel eller blødgøringsmiddel ved vask af tekstil moppen.

FEJLFINDING

Hvis du får et problem med produktet, skal du udfylde denne enkle brugercheckliste, før du ringer til den lokale Hoover-service.

Damprenseren vil ikke tænde.

•Kontroller, at apparatet er tilsluttet.

- Kontroller strømledningen.

Damprenseren udgiver ikke damp.

- Der er muligvis ikke noget vand i vandtanken til rent vand.
- Du venter måske ikke i nok tid, efter at du har tændt enheden.

Rengøringskluden samler ikke snavs op.

- Rengøringspuden er muligvis mættet med snavs og skal vaskes.

Der henvises til Vedligeholdelse.

HYPPIGT STILLEDE SPØRGSMÅL VEDR. RENGØRING

Hvornår er Steam capsule 2in1 klar? I løbet af cirka 30 sekunder

Kan jeg bruge Steam capsule 2in1 på alle gulvflader? På alle hårde gulve såsom marmor, fliser, sten, linoleum, forseglede hårdtræsgulve og parket.

Udsender Steam capsule 2in1 damp automatisk? Nej, for at producere damp skal du trykke på dampudløseren under håndtaget.

Kan jeg komme rengøringsmidler eller andre kemikalier i beholderen? Nej, du kan beskadige produktet.

Hvad skal jeg gøre, hvis vandet i den by, hvor jeg bor, er meget hårdt? Du kan benytte filtreret vand, eller destilleret eller af-mineraliseret vand, dette anbefales.

Hvor langt rækker en tankfuld vand, før der skalfyldes på igen? Op til 25 minutter hvis du kontinuerligt trykker på udløseren.

Kan moppen vaskes? Ja, den kan vaskes i hånden eller i vaskemaskinemed en mild sæbe ved maks. temperatur på 40°C. Der må ikke anvendes blegemiddel eller skyllemiddel.

Hvor ofte skal moppen skiftes? Det afhænger af forskellige faktorer, især hvor hårdt gulvet er. Den bedste måde at se, hvornår det er tid til at udskifte moppen, er når moppen stadig er snavs efter at den er blevet vasket, eller hvis du bemærker, at den ikke fungerer som før.

VIGTIGE OPLYSNINGER

Hoover reservedele og forbrugsstoffer

Udskift altid dele med ægte Hoover reservedele. Disse fås fra Hoovers reservedelsforhandler, check www.hoover.dk Når du bestiller dele, skal du altid opgive modelnummer.

Forbrugsvarer

Mikrofiber-rengøringspuder (X2) AC36 35601693

Kvalitet

Hoovers fabrikker er blevet vurderet uafhængigt for kvalitet. Vores produkter fremstilles med brug af et kvalitetssystem, der opfylder kravene i henhold til ISO 9001.

Din reklamationsret

Garantibetingelserne for dette apparat er som defineret af vores repræsentant i det land, hvor det er solgt. Oplysninger vedrørende disse betingelser kan indhentes hos den forhandler, apparatet er købt hos. Kvitteringen skal fremvises i forbindelse med ethvert krav under disse garantibetingelser.

Ret til ændringer uden varsel forbeholdes

INSTRUKSJONER FOR SIKKER BRUK

Dette apparatet må kun brukes til husrenngjøring, og slik denne bruksanvisningen beskriver. Sørg for at denne veiledningene er forstått fullstendig før du bruker apparatet.

Apparatet må ikke forlates mens det er tilkoblet strømmettet. Slå alltid av apparatet og koble fra støpselet etter bruk samt før apparatet rengjøres eller vedlikeholdes.

Dette apparatet kan benyttes av personer som har reduserte fysiske, sensoriske og mentale evner eller mangel på erfaring og kunnskap, hvis de har fått tilsyn eller instruksjon vedrørende trygg bruk av apparatet og de forstår risikoen som er involvert. Barn skal ikke leke med apparatet.

Apparatet må holdes utenfor barns rekkevidde når det er tilkoblet strømmettet, når det er i bruk og når det kjøles ned like etter bruk.

Apparatet må ikke benyttes hvis det har blitt kastet i bakken, hvis det har synlige tegn på skade eller hvis det lekker.

Bruken av apparatet må opphøre umiddelbart dersom strømledningen er skadet. Av sikkerhetshensyn må en autorisert Hoover-tekniker erstatte strømledningen.

Dette apparatet må jordes.

Apparatet må ikke stå uten tilsyn når det er tilkoblet strømmettet.

Apparatet må ikke benyttes utendørs.

Bruk kun tilbehør, forbruksvarer eller reservedeler som anbefales eller leveres av Hoover.

Apparatet må ikke benyttes til å rengjøre dyr, mennesker eller planter eller til å rette damp mot disse.

Væske eller damp må ikke rettes mot utstyr som inneholder elektriske komponenter, slik som innsiden av ovner.

Koble fra rengjøringsapparatet og slå av før du fyller vannbeholderen. Ikke fyll over "MAX"-merket. Fyllehullet må ikke være åpent under bruk.



Fare for skålding.



Overflater kan bli veldig varme under bruk. Unngå kontakt med damp.

Du må ikke stå på ledningen eller la den vikle seg rundt armene eller bena dine under bruk.

Apparatet må ikke være plassert ovenfor deg under rengjøring av trapper.

Under bruk av rengjøringsredskapene bør du forsikre deg om å alltid støtte apparatet med den andre hånda. Dette vil sikre at apparatet ikke faller mens det er i bruk.

Ikke ta på kontakten eller apparatet med våte hender.

Unngå å kjøre over ledningen eller trekke ut støpselet under bruk.

All bruk av apparatet må opphøre hvis det viser tegn på feilfunksjon.

Hoover-service: For å sikre at apparatet fortsatt virker som det skal, og er trygt å bruke, anbefaler vi at all service og alle reparasjoner blir utført av en autorisert Hoover-tekniker.

Ikke senk apparatet ned i vann eller andre væsker.

Ikke bruk rengjøringsmidler eller andre væsker enn vann inni apparatet.

Bare for UK og Irland: Dette apparatet har en 13 ampere kontakt. Hvis du trenger å bytte sikringen i kontakten, bruker du en 13 ampere ASTA-sikring (BS1362)

Miljøet

Symbolet på dette apparatet indikerer at det ikke kan betraktes som husholdningsavfall. Ved avhending må apparatet overleveres til en egnet miljøstasjon for resirkulering av elektrisk og elektronisk utstyr. Avhendingen må gjennomføres i samsvar med lokale miljøforskrifter for avfallshåndtering. Du kan få mer detaljert informasjon om avfallsbehandling, gjenvinning og resirkulering av dette apparatet ved å ta kontakt med vårt nærmeste lokalkontor, renovasjonsetaten eller forretningen du kjøpte apparatet hos.



Dette apparatet er i overensstemmelse med EU-direktivene 2014/35/EU, 2014/30/EU og 2011/65/EU.

CANDY HOOVER GROUP Srl Via Privata Eden Fumagalli, 20861 Brugherio (MB) Italy

BLI KJENT MED STØVSUGEREN DIN

- A. Utløserbryter for damp
- B. Håndtaksenhet
- C. Øvre og nedre ledningskroker
- D. Strømledning
- E. Håndholdt utløserknapp
- F. Håndholdt utløserknapp for damp
- G. Rengjøringsapparatets hoveddel
- H. Utløserpedal for trekantbørste
- I. Trekantbørste
- J. Gulvstykke*
- K. Festested for håndtak
- L. Variabel damputløserkontroll med lav, middels og maksimum innstilling
- M. Strømindikator (Rød)
- N. Damp-er-klar lampe (Grønt)
- O. På-/Av-knapp
- P. Rentvannstank
- Q. Utløserknapp for rentvannstak
- R. Kjegleformet redskap
- S. Slange
- T. Buet munnstykke
- U. Rund børste
- V. Liten metallbørste
- W. Stor metallbørste
- X. Vindusvasker
- Y. Liten klut
- Z. Tekstilpute
- AA. Teppeglider
- AB. Utløserknapp for teppeglider
- AB. Skruer

SLIK SETTER DU SAMMEN RENGJØRINGSAPPARATET

Fjern alle komponenter fra emballasjen.

1. Sett det ergonomiske håndtaket på linje med rengjøringsapparatets hoveddel, og fest den på plass med den medfølgende skruen. [1,2]
2. Sett trekantbørsten på støvsugerens hoveddel. [3]
3. Sett gulvhodet på støvsugerens og fest trekantbørsten på gulvhodet*. [4]

*Bare enkelte modeller

BRUK AV APPARATET

FØR DU PÅBEGYNNER RENSINGEN

1. Frigjør rentvannstanken ved å gli vannutløserbryteren oppover og fjerne tanken fra støvsugerens. [5]
2. Trekk i vannbeholder-lokket for å åpne det. [6]
3. Fyll rentvannstanken med kaldt springvann. Sett lokket tilbake på plass [7] og monter vannbeholderen. Ikke ha kjemikalier, vaskemidler eller parfymering i rentvannstanken.

MERK: For å betydelig redusere mineraloppbygging og forlenge levetiden på din dampmopp, er bruk av destillert eller de-mineralisert vann i enheten sterkt å anbefale.

4. Fest en tekstilpute til bunnen av gulvmunnstykket. [8]

VIKTIG: Husk alltid å trekke ut kontakten før du fyller vann eller bytter tekstilpute på renseren.

MERK: Vask tekstilputen før du fjerner eventuelt lo.

DAMPRENGJØRING AV HARDE GULV

MERK: Du må alltid koste eller støvsuge gulvet før bruk, for å fjerne eventuelt løs smuss eller rester.

VIKTIG: Renseren må ikke brukes uten at det er festet en tekstilpute til gulvstykket.

MERK: Du må ikke bruke teppeglideren til å rengjøre harde gulv.

1. Koble damprenseren til stikkkontakten. Trykk på strømbryteren. På-lyset (rødt) tennes.
2. Etter et par sekunder tennes det grønne lyset for damp, som viser at renseren er klar til bruk.
3. Du legger sammen renseren ved å sette foten på gulvstykket, deretter senke hoveddelen mot gulvet. [11]
4. Trykk på utløserknappen for damp for å slippe ut damp. [12]
5. Len renseren sakte bakover, så forover igjen. Pass ekstra godt på områder som brukes mye. [13]
6. Variabel damputløserkontroll brukes til å velge lav, middels og maksimum mengde damp, avhengig av rengjøringsutstyret ditt. [14]

Damprengjøring av hardt gulv – intensiv rengjøring

Bruk den trekantede gulvkosten på harde gulv som krever grundig rengjøring. Vær oppmerksom på at det ikke finnes noen mopp. Området må tørkes separat.

MERK: Du må alltid koste eller støvsuge gulvet før bruk, for å fjerne eventuelt løs smuss eller rester.

1. Fjern den trekantede gulvbørste fra gulvhodet ved å trykke på utløserpedalen bakpå gulvhodet. [15]
2. Koble damprenseren til stikkkontakten. På-lyset (rødt) vil lyse. Etter et par sekunder

tennes det grønne lyset for damp, som viser at renseren er klar til bruk.

3. Du legger sammen renseren ved å sette foten på gulvbørsten, deretter senke hoveddelen mot gulvet. [16]
4. Trykk på utløserknappen for å slippe ut damp. [12]
5. Variabel damputløserkontroll brukes til å velge lav, middels og maksimum mengde damp, avhengig av rengjøringsutstyret ditt. [14]
6. Len renseren sakte bakover, så forover igjen. Pass ekstra godt på områder som brukes mye. [17]

BRUKSMETODER FOR HÅNDHOLDT DAMPRENSER

1. Koble rengjøringsapparatet fra stikkontakten, og sørg for at apparatet har kjølt seg ned.
2. Trykk på utløserknappen på hoveddelen for å ta ut den håndholdte delen. [19]
3. Trekk i vannbeholder-lokket for å åpne det. [6]
4. Fyll rentvannstanken med kaldt springvann. Sett lokket tilbake på plass [7] og monter vannbeholderen. Ikke ha kjemikalier, vaskemidler eller parfymering i rentvannstanken.
5. Koble damprenseren til stikkontakten. Trykk på strømbryteren. På-lyset (rødt) tennes. [18]
6. Etter et par sekunder tennes det grønne lyset for damp, som viser at renseren er klar til bruk.
7. For å lage damp, trykk på damputløserknappen (håndholdt). [20]
8. Variabel damputløserkontroll brukes til å velge lav, middels og maksimum mengde damp, avhengig av rengjøringsutstyret ditt. [14]

MERK: For å betydelig redusere mineraloppbygging og forlenge levetiden på din dampmopp, er bruk av destillert eller de-mineralisert vann i enheten sterkt å anbefale.

VIKTIG: Husk alltid å trekke ut kontakten når du fjerner gulvstykket eller håndtaket. Pass alltid på at renseren har kjølt seg helt ned før du fjerner gulvstykket.

TILBEHØR

MERK: Tilbehør kan bare festes til den håndholdte damprenseren.

VIKTIG: Inspiser forseglingen på dampmunnstykket før hver bruk. Hvis forseglingen mangler eller er skadet, må du ikke bruke apparatet, men isteden ta kontakt med en autorisert Hoover-service.

Feste slangen og munnstykkene til den håndholdte damprenseren

1. Fest slangen til dampmunnstykket til e håndholdt enhet og roter med klokken til slangen er låst i posisjon og sikker.
2. Fest det koniske verktøyet på slangens dyse. Sett inn og roter med klokken til det koniske verktøyet er låst på plass og festet.

3. Fest andre små tilbehør til det koniske verktøyet. Sett inn og rotere med klokken til den er låst i posisjon og sikker.

Vindusnal og universalhode [21]

Vindusvaskeren skal monteres på dampmunnstykket på den håndholdte enheten og brukes til å rengjøre vinduer, speil andre jevne glassoverflater. Fest den lille kluten til vinduvaskeren. Velg dampintensitet-innstillingen som passer for stoffet du damper.

Kjegleformet redskap Skal kun brukes på svært tilsølte områder som f.eks. dusj og kjøkken.

Rund børste Brukes på gjenstridige fettflekker og skitt.

Liten metallbørste Til ovnsgriller og -hyller.

Stor metallbørste Til ovnsgriller og -hyller.

VIKTIG: se til at slangen og tilbehøret er godt festet før du bruker den håndholdte damprenseren. Hvis damp slipper ut fra leddet, betyr dette at slangen og tilbehøret ikke er riktig montert. La enheten avkjøles og ta ut og sett på plass slange og tilbehør.

VEDLIKEHOLD AV STØVSUGEREN

VIKTIG: PASS ALLTID PÅ AT INGEN FORM FOR VEDLIKEHOLD UTFØRES FØR RENSEREN ER HELT NEDKJØLT.

Tøm skittenvannstanken

1. Koble rengjøringsapparatet fra stikkontakten, og sørg for at apparatet har kjølt seg ned.
2. Frigjør rentvannstanken ved å gli vannutløserbryteren oppover og fjerne tanken fra støvsugeren. [5]
3. Trekk i vannbeholder-lokket for å åpne det. [6]
4. Tøm ut vannet som er igjen i tanken. Sett på lokket igjen, og sett tanken tilbake i renseren.

Fjerning og rengjøring av tekstilputen

1. Koble rengjøringsapparatet fra stikkontakten, og sørg for at apparatet har kjølt seg ned.
2. Fjern teppeglideren ved behov, og pell av tekstilputen fra gulvbørstens understell.
3. Vask tekstilputen i en vaskemaskin, ved maksimum 40°C og med mildt vaskemiddel.

VIKTIG: Bruk aldri blekemiddel eller tøymyknere når du vasker tekstilputen.

FEILSØKING

Hvis du har problemer med produktet, går du gjennom denne enkle kontrollisten før du ringer ditt lokale Hoover-servicekontor.

Damprengjøringsapparatet slås ikke på.

- Sjekk at apparatet er koblet til.
- Sjekk strømledningen.

Damprenseren produserer ikke damp.

- Det kan hende rentvannstanken er tom.
- Du har ikke ventet lenge nok etter du slår på.

Rengjøringskluten plukker ikke opp skitt.

- Renseputen er kanskje allerede full av smuss, og må vaskes.

Se avsnittet om vedlikehold.

OFTE STILTE SPØRSMÅL OM RENGJØRING

Når er dampstrålen i 2in1 klar? Etter omtrent 30 sekunder.

Kan jeg bruke damstrålen 2in1 på alle gulvflater? På alle harde gulv, som f.eks. marmor, kjeramikk, stein, linoleum, forseglet tregulv og parkett.

Slipper dampstrålen 2in1 automatisk ut damp? Nei, for å produsere damp bør du trykke på damputløserknappen under håndtaket.

Kan jeg bruke vaskemiddel og andre kjemikalier inni tanken? Nei, dette vil skade produktet.

Hva skjer hvis vannet i byen jeg bor i er veldig hardt? Du kan bruke filtrert vann eller destillert eller demineralisert vann. Dette er høyst anbefalt.

Hvor lenge varer en tank med vann før den må fylles på nytt? Opp til 25 minutter hvis du trykker på utløseren kontinuerlig.

Kan moppen vaskes? Ja. Den kan vaskes for hånd, eller i vaskemaskinen med mildt vaskemiddel og en maksstemperatur på 40°C. Ikke bruk blekemiddel eller tøymykner.

Hvor ofte bør moppen skiftes ut? Det avhenger av ulike faktorer, spesielt hvor hardt gulvet er. Den beste måten å vite når du bør skifte ut moppen på, er når moppen fortsatt er skitten etter at du har vasket den, eller når den ikke yter like godt som før.

VIKTIG INFORMASJON

Originaldeler fra Hoover

Bruk alltid originale deler fra Hoover. Disse er tilgjengelige fra din lokale Hoover-forhandler eller direkte fra Hoover. Når du bestiller deler, må du alltid oppgi modellnummeret ditt.

Tilbehør

Mikrofiberputer (2 stk.) AC36 35601693

Kvalitet

Hoovers fabrikker har blitt uavhengig kvalitetsvurdert. Våre produkter produseres ved å bruke et kvalitetssystem som er i samsvar med ISO 9001.

Din garanti

Garantibetingelsene for dette apparatet er som definert av vår representant i det landet der det ble solgt. Detaljer vedrørende disse betingelsene fås fra forhandleren der apparatet ble kjøpt. Salgskvitteringen må fremvises ved fremsetting av krav under betingelsene i denne garantien..

Kan endres uten forvarsel.

INSTRUKTIONER FÖR SÄKER ANVÄNDNING

Som beskrivs i denna bruksanvisning, får denna apparat endast användas vid städning av hemmet. Se till att du förstår anvisningarna helt innan du börjar använda maskinen.

Lämna aldrig denna apparat inkopplad. Stäng alltid av apparaten och dra ut kontakten ur vägguttaget efter användning eller innan rengöring av produkten eller utföring av en underhållsåtgärd.

Den här apparaten kan användas av personer med nedsatta fysiska, sensoriska eller mentala förmågor eller utan erfarenhet och kunskap om det sker under övervakning, eller om de får tillräckliga instruktioner om apparaten på ett säkert sätt och förstår riskerna. Barn får inte leka med apparaten.

Håll apparaten utom räckhåll för barn när den är aktiv eller håller på att svalna.

Apparaten får inte användas om den har tappats, om det finns synliga tecken på skador eller om den läcker.

Om nätsladden är skadad, sluta då omedelbart att använda produkten. För att undvika säkerhetsrisker så måste en behörig Hoover-servicetekniker byta nätsladden.

Den här apparaten måste jordas.

Apparaten får inte lämnas oövervakad när den är ansluten till vägguttaget.

Använd inte apparaten utomhus.

Använd endast tillbehör, förbrukningsvaror och reservdelar som rekommenderas eller levereras av Hoover.

Använd inte apparaten för att rengöra eller rikta ånga mot djur, människor eller växter.

Vätska eller ånga får inte riktas mot utrustning som innehåller elektriska komponenter, som t.ex. insidan av ugnar.

Koppla ifrån och stäng av dammsugaren innan du fyller på vattenbehållaren. Fyll inte över MAX-markeringen. Påfyllningsöppningen får inte öppnas under användningen.



Risk för skållskador.



Ytor riskerar att bli väldigt varma under användning. Undvik kontakt med ångan.

Stå inte på sladden eller vira den runt armar eller ben när du använder apparaten.

Placera inte apparaten ovanför dig när du rengör trappor.

Se till att alltid stödja apparaten med din andra hand när du använder rengöringsverktyget. Det säkerhetsställer att apparaten inte faller under användning.

Hantera inte kontakten eller apparaten med våta händer.

Kör inte över sladden när du använder apparaten eller dra ut kontakten genom att dra i sladden.

Fortsätt inte att använda apparaten om den verkar defekt.

Hoover service: För att se till att maskinen fortsätter att vara effektiv fungerar som den ska rekommenderar vi att service och reparationer endast utförs av behöriga servicetekniker från Hoover.

Doppa aldrig apparaten i vatten eller andra vätskor.

Använd inte andra rengöringsmedel eller vätskor än vatten inuti apparaten.

Endast för Storbritannien och Irland: Apparaten har en 13 amp nätkontakt. Om du behöver byta ut säkringen i nätkontakten, använd en 13 amp ASTA (BS1362)-säkring.

Miljön

Symbolen på apparaten indikerar att denna produkt inte får behandlas som hushållsavfall. Den måste i stället lämnas in på uppsamlingsplats för återvinning av elektrisk och elektronisk utrustning. Avfallshanteringen ska utföras enligt de lokala miljöbestämmelserna. För mer information om hantering, återvinning och återanvändning av denna produkt, kontakta din kommun, lokala myndigheter och renhållningsverk eller den butik där du köpte apparaten.



CE Denna apparat uppfyller de europeiska direktiven 2014/35/EU, 2014/30/EU och 2011/65/EU.

CANDY HOOVER GROUP Srl Via Privata Eden Fumagalli, 20861 Brugherio (MB) Italy

LÄR KÄNNA DIN ÅNGRENGÖRARE

- A. Utlösningssknapp för ånga
- B. Handtagsmontering
- C. Övre & nedre sladdförvaringskrokar
- D. Nätssladd
- E. Handhållen frigöringsknapp
- F. Handhållen utlösningssknapp för ånga
- G. Huvuddel
- H. Triangulära borstens pedal för att lossa
- I. Triangulär borste
- J. Golvmunstycke*
- K. Handtagslåsplacering
- L. Skjutreglage för variabelt ångutsläpp lågt, medium & maximalt
- M. Strömlampa (Röd)
- N. Ånga klar-lampa (Grön)
- O. Ström På/Av-knapp
- P. Vattenbehållare
- Q. Renvattenstankens frigöringsknapp
- R. Konisk verktyg
- S. Slang
- T. Krökt munstycke
- U. Rund borste
- V. Liten metallborste
- W. Stor metallborste
- X. Fönsterskrapa
- Y. Liten trasa
- Z. Textilduk
- AA. Mattglidare
- AB. Mattglidarens upplåsningsspedal
- AB. Bult

SÄTTA IHOP ÅNGRENGÖRAREN

Ta ur alla delar ur förpackningen.

1. Rikta in det ergonomiska handtaget till dammsugarens huvudkropp och lås det på plats med den medföljande låsskruv. [1,2]
2. Montera ångrengörarens huvudkropp på den triangulära borsten. [3]
3. Fäst rengörarens huvuddel till golvmunstycket och montera den triangulära borsten på det*. [4]

*Endast vissa modeller

ANVÄNDA ÅNGRENGÖRAREN

INNAN DU BÖRJAR RENGÖRING

1. Ta bort renvattentanken genom att skjuta vattenfrigöringsknappen uppåt och ta bort tanken från rengörarens huvuddel. [5]
2. Dra i vattentankens lock för att öppna. [6]
3. Fyll vattenbehållaren med kallt kranvatten. Byt ut locket [7] och sätt tillbaka vattenbehållaren. Håll inte i några kemikalier, tvättmedel eller parfym i den rena vattentanken.

OBS! För att väsentligt reducera uppbyggnad av mineraler och förlänga livet på din ångmopp är det högt rekommenderat att du använder destillerat eller avmineraliserat vatten.

4. Fäst en textildyna till basen av golvhuvud. [8]

VIKTIGT: Dra alltid ur kontakten till maskinen när du fyller på vatten eller byter ut tygdynan.

OBS! Tvätta textil dynan innan användning för att få bort allt damm.

ÅNGRENGÖRING AV HÅRDA GOLV

OBS! Sopa eller dammsuga alltid golven innan användning för att få bort all smuts.

VIKTIGT: Använd inte maskin utan textildyna fäst vid golvhuvud.

OBS! Använd inte mattglidaren vid rengöring av hårda golv.

1. Anslut ångrengöraren till huvudströmmen. Tryck på knappen för strömlampan (av/på). Strömlampan (röd) kommer att lysa.
2. Efter några sekunder kommer den gröna lampan Ånga Klar tändas som indikerar att ångrengöraren är klar för användning.
3. Luta ångrengöraren genom att placera en fot på golvmunstycket och sänkning av kroppen mot golvet. [11]
4. För att producera ånga tryck på knappen Utlösningssknapp för Ånga. [12]
5. Kör maskinen sakta fram och tillbaka med särskild uppmärksamhet på högtrafikerade områden. [13]
6. Variabel ångtrycks kontroll används för att välja låg, medium, eller hög ångvolym beroende på dina rengöringskrav. [14]

Ångrengöring av hårda golv- intensiv rengöring

Använd den trekantiga borsten på trägolv som behöver djuprengöring. Notera att det inte finns någon mopp och ytan måste torkas separat.

OBS! Sopa eller dammsuga alltid golven innan användning för att få bort all smuts.

1. Ta bort golvborsten genom att trycka på pedalen för lossning på baksidan av golvmunstycket. [15]
2. Anslut ångrengöraren till huvudströmmen. Strömlampan (röd) kommer att lysa. Efter några sekunder kommer den gröna lampan Ånga Klar tändas som indikerar att

- ångregöraren är klar för användning.
- Luta ångregöraren genom att placera en fot på golvmunstycket och sänkning av kroppen mot golvet. [16]
 - För att producera ånga, tryck på frigörningsknappen. [12]
 - Variabel ångtryckskontroll används för att välja låg, medium, eller hög ångvolym beroende på dina rengöringskrav. [14]
 - Kör maskinen sakta fram och tillbaka med särskild uppmärksamhet på högtrafikerade områden. [17]

METODERFÖR ANVÄNDNING AV HÅNDHÅLLEN ÅNGREGÖRARE

- Plugga ur maskinen från elnätet och se till att enheten har svalnat.
- Tryck på frigöringsknappen på huvuddelen för att ta av den handhållna. [19]
- Dra i vattentankens lock för att öppna. [6]
- Fyll vattenbehållaren med kallt kranvatten. Byt ut locket [7] och sätt tillbaka vattenbehållaren. Håll inte i några kemikalier, tvättmedel eller parfymer i den rena vattentanken.
- Anslut ångregöraren till huvudströmmen. Tryck på knappen för strömlampan (av/på). Strömlampan (röd) kommer att lysa. [18]
- Efter några sekunder kommer den gröna lampan Ånga Klar tändas som indikerar att ångregöraren är klar för användning.
- För att producera ånga tryck Steam Trigger-knapp (Handhållen). [20]
- Variabel ångtryckskontroll används för att välja låg, medium, eller hög ångvolym beroende på dina rengöringskrav. [14]

OBS! För att väsentligt reducera uppbyggnad av mineraler och förlänga livet på din ångmopp är det högt rekommenderat att du använder destillerat eller avmineraliserat vatten.

VIKTIGT: Dra alltid ur kontakten när du tar bort golvhuvud eller handtag. Se alltid till att rengöraren svalnat ordentligt innan du tar bort golvhuvud.

TILLBEHÖR

OBS! Tillbehör kan bara sättas fast på den handhållna rengöraren..

VIKTIGT: Insepektera förseglingen på ångmunstycket innan vare användning. Om förseglingen saknas eller är skadad, använd inte apparaten. Var god kontakta auktoriserad Hoover-service.

Koppla slangen och munstycket till den handhållna ångregöraren.

- Montera den handhållna enhetens slang till ångmunstycket och rotera medurs tills slangen är låst i position och sitter fast.
- Montera det koniska verktyget till slangens munstycke. För in och vrid medurs tills det koniska verktyget är i låst läge och säkrat.

- Koppla andra små tillbehör till det koniska verktyget. Sätt i och rotera medurs tills de är i låst läge och säkrade.

Fönsterskrapa och verktygshuvud [21]

Fönsterskrapan installeras på ångmunstycket på den handhållna enheten och används för fönster, speglar och andra jämna glasytor. Montera liten duk och fönsterskrapan. Välj den inställning för ångintensitet som är lämplig för det tyg som du ångar.

Konisk verktyg Används på kraftigt nedsmutsade områden som duschar och kök.

Rund borste Används mot envist fett och smuts.

Liten metallborste För ungsgrillar och ställ.

Stor metallborste För ungsgrillar och ställ.

VIKTIGT: Se till att slangen och tillbehören är fastsatta ordentligt innan du använder den handhållna ångregöraren. Om ånga släpps ut från skarven betyder det att slangen och tillbehören inte är korrekt monterade. Låt enheten svalna och ta sedan bort och sätt tillbaka slangen och tillbehören.

UNDERHÅLL AV ÅNGREGÖRAREN

VIKTIGT: SÄKERSTÄLL ALLTID ATT ÅNGREGÖRAREN HAR HELT SVALNAT INNAN NÅGOT UNDERHÅLL UTFÖRS.

Töm smutsvattentanken

- Plugga ur maskinen från elnätet och se till att enheten har svalnat.
- Ta bort renavattentanken genom att skjuta vattenfrigöringsknappen uppåt och ta bort tanken från rengörarens huvuddel. [5]
- Dra i vattentankens lock för att öppna. [6]
- Töm allt överskott av vatten ur behållaren. Sätt tillbaka locket och montera tillbaka på maskinen.

Borttagning och rengöring av textildynan

- Plugga ur maskinen från elnätet och se till att enheten har svalnat.
- Vid behov ta bort mattglidaren, dra av textildynan från golvbasen.
- Tvätta tygdynan i en tvättmaskin med ett mildt rengöringsmedel vid max 40°C.

VIKTIGT: Använd inte blekmedel eller mjukmedel när du tvättar textildynan.

FELSÖKNING

Om du får problem med produkten fyller du i den här enkla kontrollistan innan du ringer till den lokala Hoover-servicerepresentanten.

Ångregöraren kommer inte att slå på.

- Kontrollera att enheten är ansluten.
- Kontrollera nätsladden.

Ångrengöraren producerar inte ånga.

- Det kanske inte finns vatten i vattenbehållaren.
- Du kanske inte har väntat tillräckligt länge efter uppstart.

Rengöringsduken kan inte plocka upp smuts.

- Dynan för rengöring kan redan vara fullt med smuts och måste tvättas.
- Se avsnittet för underhåll.

FRÅGOR OCH SVAR OM RENGÖRING

När är Steam capsule 2in1 redo att användas? Inom 30 sekunder.

Kan jag använda Steam capsule 2in1 på vilka golv som helst? På alla hårda golv. Dvs marmor, keramik, sten, linoleum, lackade trägolv och parkett golv.

Kommer ångan ut automatiskt från Steam capsule 2in1? Nej, för att producera ånga ska du trycka på ångutlösarknappen under handtaget.

Kan jag blanda i tvättmedel eller andra kemikalier i tanken? Nej, det kan förstöra apparaten.

Vad kan jag göra om jag bor i en stad som har väldigt hårt vatten? Du kan använda filtrerat, destillerat, eller avmineraliserat vatten. Det rekommenderas starkt.

Hur ofta behöver jag byta vatten i tanken? Upp till 25 minuter om du trycker på knappen hela tiden.

Kan moppen tvättas? Ja, den kan tvättas för hand eller i en tvättmaskin med mild tvättmedel på högst 40° graders värme celsius. Använd inte blekmedel eller mjukmedel.

Hur ofta behövs moppen bytas ut? Det beror på olika anledningar men speciellt på hur hårda golven är. Det bästa sättet att veta om du behöver byta moppen är att se på moppen om den fortfarande är smutsig efter tvätt eller om den inte fungerar lika bra som innan.

VIKTIG INFORMATION

Reserv- och förbrukningsdelar från Hoover

Använd alltid originaldelar från Hoover vid byte. Du kan beställa delar från närmaste Hoover-återförsäljare eller direkt från Hoover. Uppge alltid modellnummer när du beställer delar.

Förbrukningsdelar

Mikrofiberkuddar (X2) AC36 35601693

Kvalitet

Hoovers fabriker har kvalitetsbedömts av oberoende organisationer. Våra produkter tillverkas enligt ett kvalitetssystem som uppfyller kraven för ISO 9001.

Garanti

Garantivillkoren för produkten definieras av vår representant i det land där produkten säljs. Du kan få uppgifter om aktuella villkor från återförsäljaren. Kvittot måste visas upp när man kräver ersättning enligt garantin.

Specifikationerna kan ändras utan föregående meddelande.

OHJEET TURVALLISTA KÄYTTÖÄ VARTEN

Tämä laite on tarkoitettu ainoastaan kotikäyttöön tämän käyttöoppaan kuvaamalla tavalla. Tutustu tähän käyttöoppaaseen huolellisesti ennen laitteen käyttöä.

Älä jätä laitetta kytketyksi virtaan. Kytke laitteesta virta ja irrota virtajohto virtalähteestä aina käytön jälkeen ja ennen kuin puhdistat laitteen tai teet huoltotoimenpiteitä.

Tätä laitetta voivat käyttää lapset tai sellaiset henkilöt, joiden ruumiillinen, aistimis- tai henkinen kyvykyys on heikentynyt, jos heitä valvotaan tai jos he ovat saaneet tietoja laitteen turvallisesta käytöstä ja he ymmärtävät mahdolliset vaarat. Lapset eivät saa leikkiä laitteella.

Pidä virtaan kytketty tai jäähtyvä laite lasten ulottumattomissa.

Laitetta ei tule käyttää mikäli se on pudonnut tai jos siinä näkyy selviä merkkejä vahingoittumisesta tai vuodoista.

Lopeta laitteen käyttö välittömästi, jos virtajohto on vahingoittunut. Virtajohdon saa turvallisuuksista vaihtaa vain valtuutettu Hoover-huoltoliike.

Tämä laite tulee maadoittaa.

Verkkovirtaan kytkettyä laitetta ei tule jättää vartioimatta.

Älä käytä laitetta ulkona.

Käytä ainoastaan Hooverin toimittamia tai suosittelemia kiinnityskappaleita, lisävarusteita tai varaosia.

Älä käytä tätä laitetta puhdistaksesi ihmisiä, eläimiä tai kasveja äläkä suuntaa höyryvirtaa ihmisiä, eläimiä tai kasveja kohden.

Höyryä tai nestettä ei tule suunnata suoraan kohti sellaisia laitteita, jotka sisältävät sähköisiä komponentteja, kuten uunien sisäosat.

Irrota laite virtalähteestä ja sammuta se ennen vesisäiliön täyttämistä. Älä täytä MAX-merkinnän yli. Täyttöaukkoa ei saa avata käytön aikana.



Palovammojen vaara.



Pinnat saattavat olla erittäin kuumia käytön aikana. Vältä kosketusta höyryn kanssa.

Älä seiso johdon päällä tai kierrä sitä käsien tai jalkojen ympärille laitetta käyttäessäsi.

Älä aseta laitetta yläpuolellesi, kun imuroit portaita.

Käytä puhdistusvälineitä tukemalla laitetta aina toisella kädelläsi. Näin tuote ei pääse putoamaan käytön aikana.

Älä käsittele pistoketta tai laitetta märin käsin.

Älä aja laitteella verkkojohdon yli tai irrota pistoketta virtalähteestä johdosta vetämällä.

Älä käytä laitetta, jos se vaikuttaa vialliselta.

Hoover-huolto: Laitteen käyttöturvallisuuden ja tehokkaan toiminnan varmistamiseksi huolto ja korjaukset kannattaa teettää valtuutetussa Hoover-huollossa.

Älä upota laitetta veteen tai muihin nesteisiin.

Älä käytä pesuaineita tai nesteitä, vaan pelkästään vettä laitteen sisällä.

Vain Iso-Britanniaa ja Irlantia varten: Laitteessa on 13 ampeerin sulake. Jos sinun täytyy vaihtaa virtapistokkeen sulake, sen tulee olla 13 ampeerin ASTA (BS1362) -sulake.

Ympäristö

Tässä laitteessa oleva symboli osoittaa, että laitetta ei saa hävittää kotitalousjätteenä. Se täytyy luovuttaa sähkö- ja elektroniikkalaitteiden keräyspisteeseen kierrätystä varten. Hävittäminen on suoritettava paikallisten jätteiden hävittämistä koskevien ympäristösäännösten mukaisesti. Saat lisätietoja tämän laitteen käsittelemisestä, hyötykäytöstä ja kierrätyksestä paikallisilta viranomaisilta, kotitalouksien ja muiden jätteiden jätehuollosta tai liikkeestä, josta ostit laitteen.



Tämä laite on valmistettu Euroopan direktiivien 2014/35/EU, 2014/30/EU ja 2011/65/EU mukaisesti.

CANDY HOOVER GROUP Srl Via Privata Eden Fumagalli, 20861 Brugherio (MB) Italy

IMURIIN TUTUSTUMINEN

- A. Höyryn vapautusliipaisin
- B. Kahvakokoonpano
- C. Ylempi & alempi johdonsäilytyskoukku
- D. Virtajohto
- E. Kannettavan puhdistimen vapautuspainike
- F. Kannettavan puhdistimen höyryn vapautuspainike
- G. Puhdistimen runko
- H. Kolmioharjan vapautuspoljin
- I. Kolmioharja
- J. Lattialaikka*
- K. Kahvan kiinteä sijainti
- L. Vaihtelevan höyryn vapautuksen liukusäädin, matala, keskisuuri & maksimi.
- M. Virran merkkivalo (Punainen)
- N. Höyry valmis -valo (Vihreä)
- O. On/Off-virtapainike
- P. Puhdasvesisäiliö
- Q. Puhdasvesisäiliön vapautuspainike
- R. Rakosuutin
- S. Letku
- T. Kaareva suutin
- U. Pyöreä harja
- V. Pieni metalliharja
- W. Suuri metalliharja
- X. Ikkunakumilasta
- Y. Pieni liina
- Z. Tekstiiliina
- AA. Mattoliu'utin
- AB. Pultti

HÖYRYPUHDISTIMEN KOKOAMINEN

Pura kaikki osat pakkauksesta.

1. Kohdista ergonominen kahva puhdistimen runko-osan mukaisesti ja kiinnitä se paikalleen toimitetulla ruuvilla. [1,2]
2. Kiinnitä puhdistimen runko kolmioharjaan. [3]
3. Kiinnitä puhdistimen runko lattiapäähän ja kiinnitä kolmioharja lattiapäähän*. [4]

IMURIN KÄYTTÖ

ENNEN PUHDISTUKSEN ALOITTAMISTA

1. Vapauta puhdasvesisäiliö liu'uttamalla veden vapautuspainiketta ylöspäin ja irrota tankki puhdistimen rungosta. [5]
2. Avaa vetämällä vesisäiliön korkista. [6]
3. Täytä puhdasvesisäiliö kylmällä vedellä. Laita korkki [7] ja vesisäiliö paikoilleen. Älä lisää kemikaaleja, puhdistusaineita tai hajusteita puhdasvesisäiliöön.

HUOMAA: Mineraalien kerääntymisen vähentämistä ja höyrymopin käyttöä pidetään varten suosittelemme, että tässä yksikössä käytettäisiin mineraaleista puhdistettua vettä.

4. Kiinnitä tekstiililaikka lattiapään alaosaan. [8]

TÄRKEÄÄ: Irrota laite aina pistokkeesta vettä lisätessä tai tekstiililaikkaa vaihdettaessa.

HUOMAA: Pese tekstiilipehmuste ennen käyttöä poistaaksesi mahdollisen nukan.

KOVAN LATTIAPINNAN HÖYRYPUHDISTUS

HUOMAA: Pyyhi tai imuroi lattiaa ennen käyttöä poistaaksesi irrallisen lian tai jäämät.

TÄRKEÄÄ: Älä käytä höyrymoppia ilman tekstiililaikkaa, joka on kiinnitetty lattiasuulakkeeseen.

HUOMAA: Älä käytä mattolaikkaa kovia lattiapintoja puhdistettaessa.

1. Kytke höyrymoppi virtalähteeseen. Paina on/off-virtapainiketta, jolloin virtavallo (punainen) syttyy.
2. Muutaman sekunnin päästä "höyry valmis" -valo syttyy osoittaen, että höyrypuhdistin on käyttövalmis.
3. Kallista höyrymoppia asettamalla jalka lattialaikan päälle ja laskemalla runkoa lattiaa kohti. [11]
4. Höyryn tuottamista varten, paina höyryliipaisinta. [12]
5. Liikuta höyrymoppia hitaasti taakse- ja eteenpäin, käsittele varsinkin alueet joilla liikutaan paljon. [13]
6. Vaihtelevan höyryn vapautuksen säätimestä valitaan höyryn matala, keskisuuri ja maksimimäärä puhdistustarpeen mukaan. [14]

Kovien lattiapintojen höyrypuhdistus - intensiivinen puhdistus

Käytä kolmikulmaista lattiaharjaa kovilla lattioilla jotka vaativat syväpuhdistusta. Ota huomioon, ettei käytössä ole moppia, ja alue pitää kuivata erikseen.

HUOMAA: Pyyhi tai imuroi lattiaa ennen käyttöä poistaaksesi irrallisen lian tai jäämät.

1. Irrota kolmiolattiaharja lattiapäästä painamalla vapautuspoljinta lattiapään takana. [15]
2. Kytke höyrymoppi virtalähteeseen. Virtavallo (punainen) syttyy. Muutaman sekunnin jälkeen vihreä "höyry valmista" -merkkivalo syttyy osoittamalla että höyrymoppi on käyttövalmis.

3. Kallista höyrymoppia asettamalla jalka lattiasuulakkeen päälle ja laskemalla runkoa lattiaa kohti. [16]
4. Tuota höyryä painamalla vapautuspainiketta. [12]
5. Vaihtelevan höyryvapautuksen säätimestä valitaan höyryn matala, keskisuuri ja maksimimäärä puhdistustarpeen mukaan. [14]
6. Liikuta imuria hitaasti edestakaisin kiinnittäen erityistä huomiota alueisiin, joilla kuljetaan paljon. [17]

KANNETTAVAN HÖYRYMURIN KÄYTTÖTAVAT

1. Irrota virtalähteestä ja varmista että laite on jäähtynyt.
2. Paina rungon vapautuspainiketta irrottaaksesi kannettavan yksikön. [19]
3. Avaa vetämällä vesisäiliön korkista. [6]
4. Täytä puhdasvesisäiliö kylmällä vedellä. Laita korkki [7] ja vesisäiliö paikoilleen. Älä lisää kemikaaleja, puhdistusaineita tai hajusteita puhdasvesisäiliöön.
5. Kytke höyrymoppi virtalähteeseen. Paina on/off-virtapainiketta, jolloin virtavallo (punainen) syttyy. [18]
6. Muutaman sekunnin päästä "höyry valmis" -valo syttyy osoittaen, että höyrypuhdistin on käyttövalmis.
7. Höyryn tuottamista varten, paina höyryliipaisinpainiketta (kannettava). [20]
8. Vaihtelevan höyryvapautuksen säätimestä valitaan höyryn matala, keskisuuri ja maksimimäärä puhdistustarpeen mukaan. [14]

HUOMAA: Mineraalien kerääntymisen vähentämistä ja höyrymopin käyttöiän pidentämistä varten suosittelemme, että tässä yksikössä käytettäisiin tislattua tai demineralisoitua vettä.

TÄRKEÄÄ: Irrota laite aina pistokkeesta, kun irrotat lattiapään tai kahvan. Varmista aina, että laite on jäähtynyt ennen lattiapään irrottamista.

LISÄVARUSTEET

HUOMAA: Lisävarusteet voidaan kiinnittää vain kannettavaan höyrypuhdistimeen.

TÄRKEÄÄ: Tarkista höyrysuuttimen tiivisteen kunto ennen jokaista käyttökertaa. Jos tiiviste puuttuu tai on vaurioitunut, älä käytä puhdistinta vaan ota yhteyttä valtuutettuun Hoover-huoltoon.

Letkun ja suuttimien kiinnittäminen kannettavaan höyrypuhdistimeen

1. Kiinnitä letku kannettavan yksikön höyrysuuttimeen ja väännä sitä myötäpäivään, kunnes letku on varmasti lukittuna paikallaan.
2. Kiinnitä rakosuutin letkun suuttimeen. Käännä myötäpäivään, kunnes rakosuutin on lukittunut kiinni paikoilleen.
3. Kiinnitä muut pienet lisävarusteet rakosuuttimeen, laita paikoilleen ja väännä myötäpäivään, kunnes se on lukittunut kiinni paikoilleen.

Ikkunan kumilasta ja käyttöpää [21]

Ikkunan kumilasta asennetaan höyrysuuttimeen tai kannettavaan yksikköön. Sitä käytetään ikkunoiden, peilien ja muiden sileiden lasipintojen puhdistamiseen. Laita pieni liina ikkunan kumilastan päälle. Haluttu höyryn voimakkuusasetus riippuu höyrytetävästä kankaasta.

Rakosuutin Käytä likaisilla alueilla, kuten suihkuissa ja keittiöissä.

Pyöreä harja Käytä vaikeasti poistettavien rasvatahrojen ja pinttyneen lian poistamiseen.

Pieni metalliharja Uunigrilleille ja -ritilöille.

Suuri metalliharja Uunigrilleille ja -ritilöille.

TÄRKEÄÄ: Varmista, että letku ja lisävarusteet ovat kunnolla kiinni ennen kannettavan höyrypuhdistimen käyttöä. Jos liitoskohdasta pääsee ulos höyryä, letku ja lisävarusteet eivät ole kunnolla paikoilleen. Siinä tapauksessa yksikön on annettava jäähtyä, minkä jälkeen letku ja lisävarusteet on poistettava ja laitettava uudelleen paikoilleen.

HÖYRYMOPIN KUNNOSSAPITO

TÄRKEÄÄ: VARMISTA AINA ETTÄ HÖYRYMOPPI ON JÄÄHTYNYT ENNEN HUOLTOTOIMENPITEIDEN SUORITTAMISTA.

Tyhjennä vesisäiliö

1. Irrota virtalähteestä ja varmista että laite on jäähtynyt.
2. Vapauta puhdasvesisäiliö liu'uttamalla veden vapautuspainiketta ylöspäin ja irrota tankki puhdistimen rungosta. [5]
3. Avaa vetämällä vesisäiliön korkista. [6]
4. Tyhjennä ylimääräinen vesi pois säiliöstä. Aseta tulppa paikoilleen ja palauta höyrymoppiin.

Tekstiililaikan irrottaminen ja puhdistus

1. Irrota virtalähteestä ja varmista että laite on jäähtynyt.
2. Irrota tarvittaessa mattoliu'utin, irrota sitten tekstiililaikka lattiasuulakkeesta.
3. Pese tekstiililaikka pesukoneessa miedolla pesuaineella korkeintaan 40°C:n lämpötilassa.

TÄRKEÄÄ: Älä käytä valkaisu- tai huuhteluaineita tekstiililaikan pesussa.

VIANMÄÄRITYS

Jos laitteen käytössä ilmenee ongelmia, käy läpi nämä vianmääritysohjeet ennen kuin otat yhteyttä paikalliseen Hoover-huoltoon.

Höyrypuhdistin ei käynnisty.

- Tarkista että laite on kytketty sähköverkkoon.
- Tarkista virtajohto.

Höyrypuhdistin ei tuota höyryä.

- Puhdasvesisäiliö saattaa olla tyhjä.
- Varmista, että odotat tarpeeksi kauan käynnistäessäsi laitteen.

Puhdistusliina ei kerää likaa.

- Puhdistuslaikka saattaa olla jo täynnä likaa ja se on syytä pestä.

Katso huoltoa koskevasta osiosta.

PUHDISTUKSEEN LITTYVÄT KYSYMYKSET

Milloin Steam capsule 2in1 -höyrypuhdistin on valmis? N. 30 sekunnin kuluessa.

Voiko Steam capsule 2in1 -höyrypuhdistinta käyttää kaikilla pinnoilla? Kaikkiin koviin lattiapintoihin kuten marmoriin, keramiikkaan, kiveen, linoleumiin, tiivistettyihin kovapuisiin lattioihin ja parkettiin.

Tuottaako Steam capsule 2in1 -höyrypuhdistin höyryä automaattisesti? Ei, sinun on painettava kahvan alla olevaa höyryliipaisinta höyryn tuottamiseksi.

Voinko lisätä puhdistusaineita tai muita kemikaaleja vesisäiliöön? Et, saisit laitteen vioittumaan.

Mitä jos asuinkaupunkini vesi on erittäin kovaa? Voit käyttää suodatettua, tislattua tai demineralisoitua vettä. Niiden käyttöä suositellaan lämpimästi.

Kuinka pitkään kestää tankillinen vettä ennen kuin tarvitsee täyttää uudelleen? N. 25 minuuttia, mikäli painat liipasinta jatkuvasti.

Onko moppi pesukestävä? Kyllä, se voidaan pestä pesukoneessa miedolla pesuaineella max. 40 asteen lämpötilassa. Älä käytä valkaisu- tai huuhteluaineita.

Kuinka usein moppi tulisi vaihtaa uuteen? Se riippuu eri tekijöistä ja erityisesti siitä miten kova lattia on. Paras tapa tunnistaa milloin moppi tarvitsee vaihtoa on, mikäli moppi on edelleen likainen pesun jälkeen tai kun se ei toimi enää kuten aiemmin.

TÄRKEÄÄ TIETOA

Hoover-varaosat ja tarvikkeet

Käytä vain alkuperäisiä Hoover-varaosia. Niitä on saatavana paikalliselta Hoover-jälleenmyyjältä tai valtuutetusta huoltoliikkeestä. Mainitse varaosatilauksen yhteydessä höyrymopin tyyppinumero.

Lisätarvikkeet

Mikrokuituliina (X2) AC36 35601693

Laatu

Hooverin tehtaat on arvioitu laadun suhteen riippumattoman tahon toimesta. Tuotantoprosessimme täyttävät ISO 9001 -laatujärjestelmän vaatimukset.

Takuu

Tämän laitteen takuehdot määrittelee ostamaan Hoover-edustaja. Yksityiskohtaiset tiedot näistä ehdoista saa laitteen myyneeltä jälleenmyyjältä. Tämän takuun mukaisia vaateita esitettäessä on esitettävä myyntitodistus tai ostokuitti.

Oikeus muutoksiin pidätetään.

ΟΔΗΓΙΕΣ ΑΣΦΑΛΟΥΣ ΧΡΗΣΗΣ

Η συσκευή πρέπει να χρησιμοποιείται αποκλειστικά για οικιακή χρήση, σύμφωνα με τις οδηγίες χρήσης. Πριν δοκιμάσετε να χρησιμοποιήσετε τη συσκευή, βεβαιωθείτε ότι έχετε κατανοήσει τις οδηγίες που περιέχει το βιβλίο που κρατάτε στα χέρια σας.

Μην αφήνετε τη συσκευή συνδεδεμένη στην πρίζα. Πριν τον καθαρισμό της συσκευής ή οποιασδήποτε εργασία συντήρησης, πρέπει να απενεργοποιείτε τη συσκευή και να την αποσυνδέετε από την πρίζα.

Η χρήση της συσκευής από άτομα με ειδικές ανάγκες ή άτομα χωρίς εξοικείωση στην λειτουργία παρόμοιων συσκευών επιτρέπεται μόνο εφόσον θα επιβλέπονται από άτομο που θα φέρει την ευθύνη για την ασφαλεία τους και γνωρίζει την λειτουργία της. Μην αφήνετε τα παιδιά να παίζουν με τη συσκευή.

Μην αφήνετε τα παιδιά να πλησιάζουν τη συσκευή όταν βρίσκεται σε λειτουργία και έως ότου κρυώσει.

Μην χρησιμοποιείτε τη συσκευή εάν πέσει κάτω, εάν παρουσιάσει βλάβη ή εάν παρουσιάζει διαρροή.

Εάν το καλώδιο σύνδεσης με το δίκτυο παροχής εμφανίσει φθορές διακόψτε την λειτουργία της συσκευής αμέσως. Για λόγους ασφάλειας η αντικατάσταση του φθαρμένου καλωδίου της συσκευής πρέπει να γίνεται αποκλειστικά στα σημεία τεχνικής υποστήριξης Hoover.

Αυτή η συσκευή **απαιτεί** γείωση.

Μην απομακρύνετε από τη συσκευή ενόσω είναι συνδεδεμένη στο δίκτυο παροχής ρεύματος.

Μην χρησιμοποιείτε τη συσκευή σε εξωτερικό χώρο.

Χρησιμοποιείτε μόνο αξεσουάρ, αναλώσιμα ή ανταλλακτικά που συνιστώνται ή παρέχονται από τη Hoover.

Μην κατευθύνετε τον ατμό σε ζώα, άτομα ή φυτά για να τα καθαρίσετε.

Το υγρό ή ο ατμός δεν πρέπει να κατευθύνεται σε εξοπλισμό που περιέχει ηλεκτρικά εξαρτήματα, όπως το εσωτερικό φούρνων.

Βγάλτε τη σκούπα από την πρίζα και διακόψτε την λειτουργία της πριν γεμίσετε το δοχείο νερού. Μην γεμίσετε πέρα από την ένδειξη Max.

Μην ανοίγετε το στόμιο προσθήκης νερού ενόσω χρησιμοποιείτε τη συσκευή.



Κίνδυνος εγκαυμάτων.



Οι επιφάνειες μπορεί να θερμανθούν πολύ έντονα κατά τη χρήση. Αποφύγετε την επαφή με τον ατμό.

Μην στέκεστε πάνω στο καλώδιο και μην το περιτυλίγετε γύρω από τα χέρια ή τα πόδια σας ενόσω η συσκευή βρίσκεται σε λειτουργία.

Μην τοποθετείτε πάνω σας τη συσκευή όταν καθαρίζετε τις σκάλες.

Όταν χρησιμοποιείτε τα εργαλεία καθαρισμού, πρέπει να κρατάτε τη μηχανή στέρεα με το άλλο σας χέρι. Αυτό εξασφαλίζει ότι η συσκευή δεν θα πέσει κατά τη χρήση.

Μην πιάνετε το φιν ή τη συσκευή με βρεγμένα χέρια.

Ενόσω χρησιμοποιείτε τη συσκευή δεν πρέπει να πατάτε επάνω στο καλώδιο, μην τραβάτε το καλώδιο για να αποσυνδέσετε τη συσκευή από την παροχή.

Εάν η συσκευή εμφανίσει κάποια βλάβη μην συνεχίσετε να την χρησιμοποιείτε.

Service Hoover: Για τις εργασίες συντήρησης ή αποκατάστασης κακής λειτουργίας ή βλάβης πρέπει να απευθύνεστε αποκλειστικά στα κέντρα τεχνικής υποστήριξης Hoover, έτσι εξασφαλίζετε την ασφαλή και αποτελεσματική λειτουργία της συσκευής.

Μην βυθίζετε τη συσκευή σε νερό ή άλλα υγρά.

Η συσκευή **λειτουργεί αποκλειστικά με νερό**, μην προσθέτετε απορρυπαντικά ή άλλες ουσίες.

Μόνο για M.B και Ιρλανδία: Αυτή η συσκευή διαθέτει γενική ασφάλεια 13 Αμπέρ. Εάν πρέπει να αντικαταστήσετε την ασφάλεια στο φιν ηλεκτρικού δικτύου, χρησιμοποιήστε ασφάλεια 13 Αμπέρ ASTA (BS1362).

Περιβάλλον

Το σύμβολο πάνω σε αυτή τη συσκευή υποδεικνύει ότι αυτή η συσκευή δεν μπορεί να αντιμετωπιστεί σαν κοινό οικιακό απόρριμα. Αντίθετα, πρέπει να παραδοθεί στο πλησιέστερο κέντρο συλλογής για την ανακύκλωση ηλεκτρικού και ηλεκτρονικού εξοπλισμού. Η απόρριψη της συσκευής πρέπει να γίνει σύμφωνα με την ισχύουσα κατά τόπο νομοθεσία για την απόρριψη ηλεκτρονικών και ηλεκτρικών αποβλήτων. Για πιο λεπτομερείς πληροφορίες σχετικά με την επεξεργασία, την ανάκτηση και την ανακύκλωση αυτής της συσκευής, επικοινωνήστε με την κατά τόπους αρμόδια αρχή, την υπηρεσία αποκομιδής οικιακών απορριμμάτων ή το κατάστημα από το οποίο αγοράσατε τη συσκευή.



Αυτή η συσκευή πληροί τις υπ' αριθμ. 2014/35/EU, 2014/30/EU και 2011/65/EU Ευρωπαϊκές Οδηγίες.

CANDY HOOVER GROUP Srl Via Privata Eden Fumagalli, 20861 Brugherio (MB) Italy

ΕΞΟΙΚΕΙΩΣΗ ΜΕ ΤΗ ΣΚΟΥΠΑ

- A. Συσκευή Παροχής Ατμού
- B. Συγκρότημα λαβής
- C. Επάνω & κάτω κλιπ καλωδίου
- D. Καλώδιο Παροχής
- E. Πλήκτρο απασφάλισης χειρολαβής
- F. Πλήκτρο ενεργοποίησης ατμού
- G. Κυρίως σώμα καθαριστή
- H. Πεντάλι απελευθέρωσης τριγωνικής βούρτσας
- I. Τριγωνική βούρτσα
- I2 Πέλμα Δαπέδου*
- J. Θέση σταθεροποίησης λαβής
- K. Συρόμενος διακόπτης μεταβλητής παροχής ατμού, Χαμηλή, Μεσαία & Υψηλή
- L. Φωτεινή ένδειξη λειτουργίας (Κόκκινο)
- M. Λυχνία ατμού (Πράσινο)
- N. Πλήκτρο λειτουργίας On/Off
- O. Δοχείο καθαρού νερού
- P. Κουμπί απελευθέρωσης δοχείου καθαρού νερού
- Q. Κωνικό εργαλείο
- R. Εύκαμπτος σωλήνας
- S. Κυρτό ακροφύσιο
- T. Στρογγυλή βούρτσα
- U. Μικρή μεταλλική βούρτσα
- V. Μεγάλη μεταλλική βούρτσα
- W. Ελαστικό μάκτρο παραθύρων
- X. Μικρό ύφασμα
- Y. Υφασμάτινο πέλμα
- Z. Καθαριστής Χαλιών
- AA. Πεντάλι απελευθέρωσης πέλματος χαλιών
- AB. Βίδα

ΣΥΝΑΡΜΟΛΟΓΗΣΗ ΤΟΥ ΚΑΘΑΡΙΣΤΗ

Αφαιρέστε όλα τα εξαρτήματα από τη συσκευασία.

1. Ευθυγραμμίστε την εργονομική λαβή με το κυρίως σώμα της σκούπας και στερεώστε την στη θέση της με την παρεχόμενη βίδα. [1,2]
2. Συναρμολογήστε το κύριο σώμα του καθαριστή στην τριγωνική βούρτσα. [3]
3. Συναρμολογήστε το κύριο σώμα του καθαριστή στην κεφαλή δαπέδου και συναρμολογήστε την τριγωνική βούρτσα στην κεφαλή δαπέδου*. [4]

*Μόνο ορισμένα μοντέλα

ΟΔΗΓΙΕΣ ΧΡΗΣΕΩΣ

ΠΡΙΝ ΑΡΧΙΣΤΕ ΤΟΝ ΚΑΘΑΡΙΣΜΟ

1. Αφαιρέστε την δεξαμενή καθαρού νερού, σύροντας το κουμπί απελευθέρωσης προς τα πάνω και αφαιρέστε τη δεξαμενή από τον κορμό της συσκευής. [5]
2. Τραβήξτε το πώμα της δεξαμενής νερού για να ανοίξει. [6]
3. Γεμίστε τη δεξαμενή νερού με κρύο νερό από τη βρύση . Αντικαταστήστε το πώμα [7] και ξαναβάλτε το δοχείο νερού. Μην προσθέτετε χημικές ουσίες, απορρυπαντικά ή αρώματα στο δοχείο νερού.

ΣΗΜΕΙΩΣΗ: Προκειμένου να μειωθεί σημαντικά η συσσώρευση αλάτων και να παρατείνεται τη διάρκεια ζωής της σφουγγαρίστρας ατμού σας ,συνιστάται η χρήση αποσταγμένου ή αφαλατωμένου νερού στη μονάδα.

4. Τοποθετείστε ένα υφασμάτινο κάλυμμα στην βάση του πέλματος δαπέδου. [8]

ΕΠΙΣΗΜΑΝΣΗ : Να αποσυνδέετε πάντα τον καθαριστή από την πρίζα όταν προσθέτετε νερό ή αλλάζετε το πανάκι στο πέλμα.

ΣΗΜΕΙΩΣΗ: Πλένετε το υφασμάτινο επίθεμα πριν από κάθε χρήση για να απομακρύνετε τα χνούδια .

ΚΑΘΑΡΙΣΜΟΣ ΜΕ ΑΤΜΟ ΣΚΛΗΡΩΝ ΔΑΠΕΔΩΝ

ΣΗΜΕΙΩΣΗ: Απομακρύνετε τις βρωμιές και τα σκουπίδια από το δάπεδο πριν χρησιμοποιήσετε τον καθαριστή ατμού.

ΕΠΙΣΗΜΑΝΣΗ : Μην χρησιμοποιείτε τον καθαριστή δίχως το πάνινο πέλμα στο άκρο του πέλματος δαπέδου.

ΣΗΜΕΙΩΣΗ: Μην χρησιμοποιείτε τον καθαριστή χαλιών για να καθαρίζετε σκληρά δάπεδα.

1. Συνδέστε τον ατμοκαθαριστή στο δίκτυο παροχής Πατήστε το κουμπί on/off, η ενδεικτική λυχνία λειτουργίας (κόκκινη) θα ανάψει.
2. Μετά από λίγα δευτερόλεπτα ,όταν ο ατμός θα είναι έτοιμος θα ανάψει το πράσινο φως .
3. Γύρετε με την βοήθεια του ποδιού την συσκευή καθαρισμού προς το πάτωμα προσεγγίζοντας το δάπεδο με το κύριο σώμα της συσκευής. [11]
4. Για να παραχθεί ατμός πιάστε το πλήκτρο της σκανδάλης ατμού. [12]
5. Μετακινείτε τον καθαριστή μπρός -πίσω επιμένοντας στα σημεία που δέχονται μεγαλύτερη πίεση χρήσης. [13]
6. Το συρόμενο χειριστήριο μεταβλητής παροχής ατμού, Χαμηλής, Μεσαίας & Υψηλής χρησιμοποιείται ανάλογα με τις συγκεκριμένες απαιτήσεις καθαρισμού. [14]

Καθαρισμό με ατμό σκληρού πατώματος- καθαρίσμα σε βάθος

Χρησιμοποιείτε την τριγωνική βούρτσα δαπέδου σε σκληρά δάπεδα που απαιτούν βαθύ καθαρισμό. Σημειώστε ότι δεν υπάρχει σφουγγαρίστρα και πρέπει να στεγνώσετε την περιοχή χωριστά.

ΣΗΜΕΙΩΣΗ: Απομακρύνετε τις βρωμιές και τα σκουπίδια από το δάπεδο πριν χρησιμοποιήσετε τον καθαριστή ατμού.

1. Αφαιρέστε την τριγωνική βούρτσα από την κεφαλή δαπέδου πατώντας το πεντάλι απελευθέρωσης στο πίσω μέρος της κεφαλής δαπέδου. [15]
2. Συνδέστε τον ατμοκαθαριστή στο δίκτυο παροχής Η ενδεικτική λυχνία λειτουργίας (κόκκινη) θα ανάψει. Μετά από λίγα δευτερόλεπτα ,όταν ο ατμός θα είναι έτοιμος θα ανάψει το πράσινο φως .
3. Λυγίστε τον καθαριστή με το ένα πόδι στη βούρτσα που βρίσκεται επάνω στο πάτωμα και χαμηλώστε το κύριο σώμα προς το πάτωμα. [16]
4. Για την παραγωγή ατμού πατήστε τη σκανδάλη ατμού. [12]
5. Το συρόμενο χειριστήριο μεταβλητής παροχής ατμού, χρησιμοποιείται για Χαμηλή, Μεσαία & Υψηλή παροχή ανάλογα με τις συγκεκριμένες απαιτήσεις καθαρισμού. [14]
6. Κινείτε αργά τη συσκευή μπρος,πίσω επιμένοντας στα σημεία όπου πατιούνται πολύ . [17]

ΜΕΘΟΔΟΙ ΧΡΗΣΗΣ ΤΟΥ ΦΟΡΗΤΟΥ ΑΤΜΟΚΑΘΑΡΙΣΤΗ ΜΕ ΧΕΙΡΟΛΑΒΗ

1. Αποσυνδέστε τη συσκευή από την πρίζα και περιμένετε έως ότου κρυώσει .
2. Πατήστε το κουμπί απελευθέρωσης στο κυρίως σώμα για να βγάλετε τη χειρολαβή. [19]
3. Τραβήξτε το πώμα της δεξαμενής νερού για να ανοίξει. [6]
4. Γεμίστε τη δεξαμενή νερού με κρύο νερό από τη βρύση . Αντικαταστήστε το πώμα [7] και ξαναβάλτε το δοχείο νερού. Μην προσθέτετε χημικές ουσίες, απορρυπαντικά ή αρώματα στο δοχείο νερού.
5. Συνδέστε τον ατμοκαθαριστή στο δίκτυο παροχής Πατήστε το κουμπί on/off, η ενδεικτική λυχνία λειτουργίας (κόκκινη) θα ανάψει.[18]
6. Μετά από λίγα δευτερόλεπτα ,όταν ο ατμός θα είναι έτοιμος θα ανάψει το πράσινο φως .
7. Για να παραχθεί ατμός πιάστε το πλήκτρο ενεργοποίησης ατμού (Χειρολαβή). [20]
8. Το συρόμενο χειριστήριο μεταβλητής παροχής ατμού, Χαμηλής, Μεσαίας & Υψηλής χρησιμοποιείται ανάλογα με τις συγκεκριμένες απαιτήσεις καθαρισμού. [14]

ΣΗΜΕΙΩΣΗ: Προκειμένου να μειωθεί σημαντικά η συσσώρευση αλάτων και να παρατείνετε τη διάρκεια ζωής της σφουγγαρίστρας ατμού σας ,συνιστάται η χρήση αποσταγμένου ή αφαλατωμένου νερού στη μονάδα.

ΕΠΙΣΗΜΑΝΣΗ : Να αποσυνδέετε πάντα τον καθαριστή από την πρίζα όταν αφαιρείτε την κεφαλή δαπέδου ή τη χειρολαβή. Να βεβαιώνετε πάντα ότι ο καθαριστής έχει κρυώσει εντελώς πριν αφαιρέσετε την κεφαλή δαπέδου.

ΕΞΑΡΤΗΜΑΤΑ

ΣΗΜΕΙΩΣΗ: Τα αξεσουάρ μπορούν να προσαρμοστούν μόνο στον ατμοκαθαριστή χειρός.

ΕΠΙΣΗΜΑΝΣΗ : Ελέγξτε τη στεγάνωση στο ακροφύσιο ατμού πριν από κάθε χρήση, αν η στεγάνωση λείπει ή έχει υποστεί βλάβη, μην χρησιμοποιήσετε τη συσκευή, επικοινωνήστε με το εξουσιοδοτημένο σέρβις Hoover.

Τοποθέτηση σωλήνα και ακροφυσίων στον ατμοκαθαριστή χειρός

- 1.Τοποθετήστε τον σωλήνα στο ακροφύσιο ατμού της μονάδας χειρός και περιστρέψτε δεξιά μέχρι ο σωλήνας να κλειδώσει και να ασφαλίσει στη θέση του.
- 2.Συνδέστε το κωνικό εργαλείο στο ακροφύσιο του εύκαμπτου σωλήνα. Τοποθετήστε και περιστρέψτε δεξιόστροφα μέχρι το κωνικό εργαλείο να κουμπώσει και να ασφαλίσει καλά στη θέση του.
- 3.Τοποθετήστε άλλα μικρά εξαρτήματα στο κωνικό εργαλείο, τοποθετήστε και περιστρέψτε δεξιόστροφα μέχρι να κουμπώσει και να ασφαλίσει καλά στη θέση του.

Μάκτρα παραθύρων και κεφαλή γενικής χρήσης [21]

Τα μάκτρα παραθύρων προορίζονται να τοποθετηθούν στο ακροφύσιο ατμού μονάδων χειρός και χρησιμοποιούνται για τον καθαρισμό υαλοπινάκων, καθρεφτών και άλλων λείων γυάλινων επιφανειών. Τοποθετήστε ένα μικρό πανί στο μάκτρο παραθύρων. Επιλέξτε την κατάλληλη ρύθμιση έντασης ατμού για το ύφασμα που ατμίζετε.

Κωνικό εργαλείο Χρησιμοποιήστε το σε έντονα λερωμένες περιοχές, όπως ντους και κουζίνες.
Στρογγυλή βούρτσα Χρησιμοποιήστε τη σε σκληρούς λιπαρούς λεκέδες και μουτζούρες.

Μικρή μεταλλική βούρτσα Για γκριλ φούρνων και σχάρες.

Μεγάλη μεταλλική βούρτσα Για γκριλ φούρνων και σχάρες.

ΕΠΙΣΗΜΑΝΣΗ : βεβαιωθείτε ότι ο σωλήνας και τα εξαρτήματα είναι στερεωμένα καλά πριν χρησιμοποιήσετε τον ατμοκαθαριστή χειρός, αν διαρρέει ατμός από τη σύνδεση αυτό σημαίνει ότι ο σωλήνας και τα εξαρτήματα δεν είναι σωστά τοποθετημένα, αφήστε τη μονάδα να κρυώσει και βγάλτε και τοποθετήστε ξανά τον σωλήνα και τα εξαρτήματα.

ΣΥΝΤΗΡΙΣΗ ΚΑΙ ΚΑΘΑΡΙΣΜΟΣ

ΕΠΙΣΗΜΑΝΣΗ : ΠΡΙΝ ΞΕΚΙΝΗΣΕΤΕ ΟΠΟΙΑΔΗΠΟΤΕ ΕΡΓΑΣΙΑ ΚΑΘΑΡΙΣΜΟΥ Η ΣΥΝΤΗΡΗΣΗΣ ΒΕΒΑΙΩΘΕΙΤΕ ΟΤΙ Η ΣΥΣΚΕΥΗ ΕΧΕΙ ΚΡΥΩΣΕΙ .

Αδειάστε το δοχείο νερού

- 1.Αποσυνδέστε τη συσκευή από την πρίζα και περιμένετε έως ότου κρυώσει .
- 2.Αφαιρέστε την δεξαμενή καθαρού νερού, σύροντας το κουμπί απελευθέρωσης προς τα πάνω και αφαιρέστε τη δεξαμενή από τον κορμό της συσκευής. [5]
- 3.Τραβήξτε το πώμα της δεξαμενής νερού για να ανοίξει. [6]
- 4.Αδειάστε το νερό που περισσεύει από την δεξαμενή νερού . Ξαναβάλτε το πώμα στην θέση του και τοποθετήστε το δοχείο στον καθαριστή.

Βγάλτε και καθαρίστε το μικρό υφασμάτινο πέλμα

- 1.Αποσυνδέστε τη συσκευή από την πρίζα και περιμένετε έως ότου κρυώσει .
- 2.Αν χρειάζεται αφαιρέστε τον καθαριστή χαλιών και μετά βγάλτε το πανάκι από τη βάση δαπέδου.
- 3.Πλένετε το πανάκι στο πλυντήριο ρούχων με ουδέτερο απορρυπαντικό σε max θερμοκρασία 40°C.

ΕΠΙΣΗΜΑΝΣΗ : Μην χρησιμοποιήσετε λευκαντικό ή μαλακτικό όταν πλένετε το πάνινο πέλμα.

ΑΝΤΙΜΕΤΩΠΙΣΗ ΠΡΟΒΛΗΜΑΤΩΝ

Εάν αντιμετωπίσετε πρόβλημα με το προϊόν, πριν απευθυνθείτε στις υπηρεσίες τεχνικής υποστήριξης Hoover Service, κάντε τους ελέγχους που ακολουθούν.

Ο ατμοκαθαριστής δεν ενεργοποιείται.

- Ελέγξτε αν η συσκευή είναι στην πρίζα.
- Ελέγξτε το καλώδιο.

Ο ατμοκαθαριστής δεν παράγει ατμό.

- Βεβαιωθείτε ότι στο δοχείο νερού υπάρχει νερό.
- Ενδέχεται να μην περιμένετε αρκετά όταν ανάψατε τη συσκευή.

Το υφασμάτινο πέλμα δεν τραβά την βρωμιά.

- Βεβαιωθείτε ότι το υφασμάτινο πέλμα δεν είναι βρώμικο και χρειάζεται πλύσιμο.
- Ανατρέξτε στις Οδηγίες Συντήρησης.

ΣΥΝΗΘΕΙΣ ΕΡΩΤΗΣΕΙΣ ΓΙΑ ΤΟΝ ΚΑΘΑΡΙΣΜΟ

Πότε είναι έτοιμο για λειτουργία το Steam capsule 2in1; Σε περίπου 30 δευτερόλεπτα.

Μπορώ να χρησιμοποιήσω το Steam capsule 2in1 σε όλες τις επιφάνειες δαπέδων; Μπορείτε να το χρησιμοποιήσετε σε όλα τα είδη σκληρού δάπεδου όπως: μάρμαρο, κεραμικά δάπεδα, δάπεδο από πέτρα, linoleum, πατώματα σκληρού ξύλου και δάπεδα παρκέ.

Μήπως το Steam capsule 2in1 παράγει ατμό αυτόματα; Όχι, για να παραχθεί ατμός θα πρέπει να πατήσετε το κουμπί παροχής ατμού κάτω από τη λαβή.

Μπορώ να βάλω απορρυπαντικά ή άλλα χημικά καθαριστικά μέσα στη δεξαμενή; Όχι, θα προκαλέσουν ζημιά στο προϊόν.

Τι συμβαίνει αν στην πόλη όπου ζω το νερό είναι πολύ σκληρό; Μπορείτε να χρησιμοποιείτε φιλτραρισμένο νερό ή αποσταγμένο ή απιονισμένο, συνιστάται έντονα.

Κάθε πόσο πρέπει να γεμίζει το δοχείο νερού? Μέχρι και 25 λεπτά αν πατάτε συνεχώς το κουμπί παροχής.

Πλένεται η σφουγγαρίστρα? Ναι, στο χέρι ή στο πλυντήριο με ήπιο καθαριστικό σε θερμοκρασία το πολύ 40°C. Μη χρησιμοποιείτε λευκαντικό ή μαλακτικό.

Πόσο συχνά πρέπει να αντικαθιστώ τη σφουγγαρίστρα; Εξαρτάται από διάφορους παράγοντες και την σκληρότητα του δαπέδου. Η σφουγγαρίστρα πρέπει να αντικαθίστατε όταν μετά το πλύσιμο παραμένει βρώμικη ή αν παρατηρήσετε ότι δεν καθαρίζει όπως πριν.

ΣΗΜΑΝΤΙΚΕΣ ΠΛΗΡΟΦΟΡΙΕΣ

Ανταλλακτικά και αναλώσιμα Hoover

Όταν παραστεί η ανάγκη χρησιμοποιείτε αποκλειστικά γνήσια ανταλλακτικά Hoover. Τα ανταλλακτικά Hoover διατίθενται από τον τοπικό αντιπρόσωπο Hoover ή απευθείας από τη Hoover. Κατά την παραγγελία εξαρτημάτων να αναφέρετε πάντα τον αριθμό μοντέλου.

Αναλώσιμα

Πατάκια από μικροίνες (X2) AC36 35601693

Ποιότητα

Τα εργοστάσια Hoover έχουν ελεχθεί από ανεξάρτητους φορείς ποιοτικού ελέγχου. Τα προϊόντα μας κατασκευάζονται μέσω ενός συστήματος ποιότητας το οποίο πληροί τις προδιαγραφές του προτύπου ISO 9001.

Η εγγύησή σας

Οι όροι ισχύος της εγγύησης της συσκευής καθορίζονται από τον αντιπρόσωπο της χώρας στην οποία έχει πραγματοποιηθεί η πώληση. Περισσότερες πληροφορίες σχετικά με τους όρους εγγύησης μπορείτε να ζητήσετε από τον αντιπρόσωπο που αγοράσατε τη συσκευή. Η προσκόμιση του τιμολογίου ή της απόδειξης αγοράς είναι βασική προϋπόθεση για την ισχύ της εγγύησης.

Ο κατασκευαστής διατηρεί το δικαίωμα να επιφέρει αλλαγές χωρίς προγενέστερη ενημέρωση.

ИНСТРУКЦИИ ПО ТЕХНИКЕ БЕЗОПАСНОСТИ

Данный прибор предназначен только для домашнего использования в соответствии с описанием, приведенным в настоящем Руководстве пользователя. Прежде чем приступить к эксплуатации данного бытового электроприбора, убедитесь в том, что вы понимаете настоящее руководство.

Не оставляйте прибор включенным в розетку. После использования или перед очисткой или обслуживанием всегда вынимайте вилку из розетки.

Данный прибор может использоваться лицами с ограниченными физическими, сенсорными или умственными способностями, недостатком опыта и знаний при условии соответствующего надзора или предварительного инструктажа по правилам пользования прибором, проведенного лицом, отвечающим за их безопасность. С устройством не должны играть дети.

Не давайте включенный в сеть или охлаждающийся прибор детям.

Не следует пользоваться прибором после его падения, при наличии видимых следов повреждений или утечек.

Если провод питания поврежден, немедленно отключите прибор. Во избежание несчастных случаев замену провода должен осуществлять только специалист авторизованного сервисного центра Hoover.

Данный прибор должен быть заземлен.

Не оставляйте включенный в сеть прибор без присмотра.

Не пользуйтесь прибором на открытом воздухе.

Используйте только рекомендуемые Hoover насадки, расходные материалы или запасные части.

Не используйте прибор для очистки или прямой обработки паром животных, людей или растений.

Не направляйте жидкость или пар на оборудование, содержащее электрические компоненты, например на внутреннюю часть духовки.

Перед заполнением контейнера водой выньте шнур из розетки и отключите пылесос. Не заливайте выше отметки MAX.

Не следует открывать заливное отверстие в процессе использования.



Опасность ошпаривания.



В процессе использования поверхности прибора сильно нагреваются. Не допускайте контакта с паром.

Не стойте на проводе и не наматывайте его на руку или ногу в процессе использования прибора.

Не размещайте прибор над собой во время уборки лестниц.

При использовании приспособлений для очистки второй свободной рукой всегда придерживайте сам прибор. Это помогает не допустить падения прибора в процессе эксплуатации.

Не вытягивайте/вставляйте вилку и не работайте с прибором мокрыми руками.

Не перевозите свой прибор через провод питания и не тяните за провод, вынимая вилку из розетки.

В случае неисправности не следует продолжать пользоваться прибором.

Сервисная служба Hoover: Для обеспечения продолжительной, безопасной и эффективной работы данного бытового электроприбора любой вид ремонта рекомендуется производить только специалистом авторизованного сервисного центра Hoover.

Не опускайте прибор в воду или другие жидкости.

Не пользуйтесь чистящими средствами и не заливайте другие жидкости, кроме воды, в прибор.

Только для Великобритании и Ирландии: Данный прибор оснащается сетевой вилкой 13 А. При необходимости замены предохранителя в вилке используйте предохранитель типа ASTA (BS1362) 13 А.

Окружающая среда:

Символ на данном приборе указывает на то, что его нельзя утилизировать вместе с бытовыми отходами. Его необходимо сдавать в соответствующий пункт приема для дальнейшей переработки электрических и электронных частей. Утилизация должна проводиться в соответствии с местными природоохранительными правилами по утилизации отходов. За более подробной информацией по обращению с данным прибором, его утилизации и переработке обратитесь в местные органы власти, в службу утилизации отходов или в магазин, где вы приобрели данный прибор.



Данный прибор отвечает требованиям Европейских Директив 2014/35/EU, 2014/30/EU и 2011/65/EU.

CANDY HOOVER GROUP Srl Via Privata Eden Fumagalli, 20861 Brugherio (MB) Italy

ЗНАКОМСТВО С ВАШИМ ПЫЛЕСОСОМ

- A. Кнопка включения пара
- B. Рукоятка
- C. Верхний и нижний крючки для хранения провода
- D. Сетевой шнур
- E. Кнопка отсоединения рукоятки
- F. Спусковая кнопка пара на рукоятке
- G. Корпус пылесоса
- H. Рычаг отсоединения треугольной насадки
- I. Треугольная насадка
- I2 Насадка для пола*
- J. Место фиксации рукоятки
- K. Регулировка мощности подачи пара - низкий, средний, максимум
- L. Индикатор питания (Красный)
- M. Индикатор готовности пара (Зеленый)
- N. Кнопка выключателя питания
- O. Резервуар для чистой воды
- P. Защелка резервуара для чистой воды
- Q. Коническая насадка
- R. Шланг
- S. Изогнутая насадка
- T. Круглая щетка
- U. Маленькая металлическая щетка
- V. Большая металлическая щетка
- W. Скребок для окон
- X. Маленькая тряпка
- Y. Тканевая подложка
- Z. Насадка для ковра
- AA. Педаль высвобождения накладки для ковров
- AB. Болт

СБОРКА ПЫЛЕСОСА

Извлеките составные части пылесоса из упаковки.

1. Установите эргономичную рукоятку по одной линии с главным корпусом пылесоса и зафиксируйте в таком положении с помощью болта. [1,2]
2. Соедините главный корпус пылесоса с треугольной щеткой. [3]
3. Соедините главный корпус пылесоса с насадкой для пола и установите треугольную щетку в насадку для пола*. [4]

*Только у конкретных моделей

ЭКСПЛУАТАЦИЯ ПЫЛЕСОСА

ПЕРЕД ТЕМ, КАК ВЫ НАЧИНАЕТЕ ОЧИСТКУ

1. Снимите резервуар для чистой воды, потянув рычаг выпуска воды вверх, и уберите резервуар с главного корпуса пылесоса. [5]
2. Вытяните пробку из резервуара для чистой воды. [6]
3. Наполните резервуар для чистой воды холодной водопроводной водой. Верните на место пробку [7] и установите резервуар для чистой воды. Не добавляйте какие-либо химические вещества, очистители или ароматизаторы в резервуар для чистой воды.

ПРИМЕЧАНИЕ: Чтобы заметно сократить количество отложений минеральных солей и продлить срок службы пароочистителя, пользуйтесь дистиллированной или деминерализованной водой.

4. Прикрепите тканевую подложку к основанию насадки для пола. [8]

ВНИМАНИЕ! Всегда отключайте пылесос, доливая воду или меняя тканевую подложку.

ПРИМЕЧАНИЕ: Перед использованием промойте тканевую подложку, чтобы удалить пыль.

ОЧИСТКА ПАРОМ ТВЕРДЫХ НАПОЛЬНЫХ ПОКРЫТИЙ

ПРИМЕЧАНИЕ: Перед эксплуатацией вымойте пол или пропылесосьте, чтобы удалить грязь и мусор.

ВНИМАНИЕ! Не используйте пылесос без тканевой подложки, закрепленной на насадке для пола.

ПРИМЕЧАНИЕ: Не пользуйтесь насадкой для ковров для уборки твердых напольных покрытий.

1. Включите паровую швабру в сеть. Нажмите кнопку включения/отключения, загорается (красный) индикатор питания.
2. Через несколько секунд загорится зеленый индикатор "Пар готов", показывая, что пылесос готов к использованию.
3. Упритесь ногой на насадку и положите корпус паровой швабры на пол. [11]
4. Для производства пара нажмите кнопку включения пара. [12]
5. Двигайте пылесос медленно взад и вперед, обращая особое внимание на сильно загрязненные места. [13]
6. Регулятор мощности подачи пара используется для выбора малого, среднего или большого объема пара в зависимости от потребностей очистки. [14]

Очистка паром твердых полов - интенсивная очистка

При твердом покрытии пола, которое нуждается в тщательной уборке, используйте треугольную насадку для пола. Обратите внимание, что тряпка не входит в комплектацию пылесоса.

ПРИМЕЧАНИЕ: Перед эксплуатацией вымойте пол или пропылесосьте, чтобы удалить грязь и мусор.

1. Снимите треугольную щетку с насадки для пола, нажав педаль в задней части насадки. [15]
2. Включите паровую швабру в сеть. Загорится (красный) индикатор питания. Через несколько секунд загорится зеленый индикатор "Пар готов", показывая, что пылесос готов к использованию.
3. Упритесь ногой на насадку и положите корпус паровой швабры на пол. [16]
4. Для генерации пара, нажмите спусковую кнопку. [12]
5. Регулятор мощности подачи пара используется для выбора малого, среднего или большого объема пара в зависимости от потребностей очистки. [14]
6. Двигайте пылесос медленно назад и вперед, обращая особое внимание на сильно загрязненные места. [17]

МЕТОДЫ ИСПОЛЬЗОВАНИЯ РУЧНОГО ПАРОВОГО ПЫЛЕСОСА

1. Выньте вилку из розетки и дождитесь, пока прибор остынет.
2. Нажмите спусковую кнопку на главном корпусе, чтобы снять рукоятку. [19]
3. Вытяните пробку из резервуара для чистой воды. [6]
4. Наполните резервуар для чистой воды холодной водопроводной водой. Верните на место пробку [7] и установите резервуар для чистой воды. Не добавляйте какие-либо химические вещества, очистители или ароматизаторы в резервуар для чистой воды.
5. Включите паровую швабру в сеть. Нажмите кнопку включения/отключения, загорается (красный) индикатор питания. [18]
6. Через несколько секунд загорится зеленый индикатор "Пар готов", показывая, что пылесос готов к использованию.
7. Для получения пара нажмите кнопку пуска пара (на переносном блоке). [20]
8. Регулятор мощности подачи пара используется для выбора малого, среднего или большого объема пара в зависимости от потребностей очистки. [14]

ПРИМЕЧАНИЕ: Чтобы заметно сократить количество отложений минеральных солей и продлить срок службы пароочистителя, пользуйтесь дистиллированной или деминерализованной водой.

ВНИМАНИЕ! Всегда отключайте пылесос, снимая насадку для пола или рукоятку. Дождитесь пока пылесос полностью остынет прежде чем снимать насадку для пола.

ДОПОЛНИТЕЛЬНЫЕ ПРИСПОСОБЛЕНИЯ И ПРИНАДЛЕЖНОСТИ

ПРИМЕЧАНИЕ: На рукоятке парового пылесоса можно закреплять дополнительные насадки.

ВНИМАНИЕ! Осматривайте прокладку парового сопла перед каждым использованием. Если прокладки нет, или она повреждена, обратиться в уполномоченный сервисный центр Hoover.

Крепление шланга и насадок на рукоятке парового пылесоса

1. Закрепите шланг на паровом сопле рукоятки и поверните по часовой стрелке до надежной фиксации в нужном положении.
2. Закрепите коническую насадку на шланге. Вставьте и поверните по часовой стрелке до фиксации конической насадки в нужном положении.
3. Установите остальные мелкие компоненты на коническую насадку, вставьте и поверните по часовой стрелке до надежной фиксации в нужном положении.

Скребок для окон и насадка для уборки [21]

Скребок для окон крепится на паровом сопле рукоятки и используется для очистки окон, зеркал и прочих гладких поверхностей. Закрепите маленькую тряпку на скребке для окон. Выберите интенсивность пара в зависимости от типа обрабатываемой ткани.

Коническая насадка Используйте на сильно загрязненных участках, например, в душе, на кухне.

Круглая щетка Используйте для удаления трудновыводимых жирных пятен и сажи.

Маленькая металлическая щетка Для решеток для гриля и поддонов.

Большая металлическая щетка Для решеток для гриля и поддонов.

ВНИМАНИЕ! Перед началом использования пылесоса убедитесь, что шланг и насадки надежно закреплены. Если на соединениях есть утечка пара, это значит, что шланг и насадки установлены неверно. В этом случае нужно выждать время для охлаждения пылесоса, а затем снять и снова закрепить шланг и насадки.

ТЕХНИЧЕСКОЕ ОБСЛУЖИВАНИЕ ПЫЛЕСОСА

ВНИМАНИЕ! ПЕРЕД ПРОВЕДЕНИЕМ ТЕХНИЧЕСКОГО ОБСЛУЖИВАНИЮ ПЫЛЕСОСА УБЕДИТЕСЬ В ТОМ, ЧТО ОН ПОЛНОСТЬЮ ОХЛАДИЛСЯ.

Очистите резервуар с грязной водой.

1. Выньте вилку из розетки и дождитесь, пока прибор остынет.
2. Снимите резервуар для чистой воды, потянув рычаг выпуска воды вверх, и уберите резервуар с главного корпуса пылесоса. [5]
3. Вытяните пробку из резервуара для чистой воды. [6]
4. Удалите любой излишек воды из резервуара. Поставьте на место колпачок и верните в пылесос.

Снятие и очистка тканевой подложки

1. Выньте вилку из розетки и дождитесь, пока прибор остынет.
2. Если необходимо, снимите насадку для ковра и затем снимите тканевую подложку с насадки.
3. Выстирайте тканевую подложку в стиральной машине с мягким чистящим средством при температуре не более 40°C.

ВНИМАНИЕ! При стирке тканевой подложки не используйте отбеливатель или ополаскиватель.

ПОИСК И УСТРАНЕНИЕ НЕИСПРАВНОСТЕЙ

Если у Вас возникли затруднения в ходе эксплуатации пылесоса, попробуйте установить причины мелких неполадок перед обращением в местный сервисный центр продукции Hoover.

Паровой пылесос не включается.

- Проверьте, включен ли блок.
- Проверьте сетевой шнур.

Паровой пылесос не генерирует пар.

- Возможно, в резервуаре для чистой воды нет воды.
- Возможно, вы не выждали необходимо время перед включением.

Тряпка не собирает грязь.

- Текстильная насадка может быть слишком грязной и ее необходимо промыть.
- Обратитесь к разделу “Техническое обслуживание”.

ЧАСТО ЗАДАВАЕМЫЕ ВОПРОСЫ ПО УБОРКЕ:

Когда Steam capsule 2 в 1 готов к работе? Приблизительно в течение 30 сек.

На каких напольных покрытиях можно пользоваться Steam capsule 2 в 1? На всех твердых покрытиях пола, такие как мрамор, керамика, камень, линолеум, паркет и полах из твердого дерева.

Выпускает ли Steam capsule 2 в 1 пар автоматически? Нет, чтобы генерировать пар, нужно нажать спусковую кнопку пара на рукоятке.

Могу ли я добавлять очищающие средства или другие химические вещества в резервуар? Нет, вы повредите его.

Что делать, если в городе, в котором я живу, жесткая вода? Вы можете – и это настоятельно рекомендуется – использовать фильтрованную, дистиллированную или деминерализованную воду.

На сколько хватает резервуара для воды и когда его необходимо заполнить? До 25 минут, если не отпускать кнопку спуска пара.

Можно ли мыть тканевую насадку для швабры? Да, ее можно мыть руками или в стиральной машине мягким моющим веществом при максимальной температуре 40°C. Не пользуйтесь отбеливателями или кондиционерами.

Как часто нужно менять тканевую насадку? Это зависит от разных факторов, но

главное, от твердости покрытия пола. Самый лучший способ понять, менять ли насадку, это если она даже после стирки осталась грязной или не работает так, как раньше.

ВАЖНАЯ ИНФОРМАЦИЯ

Запасные части и расходные материалы компании Hoover

При замене частей используйте только оригинальные запасные части и расходные материалы компании Hoover. Их можно приобрести у вашего местного дилера компании Hoover или непосредственно в компании Hoover. При оформлении заказа на запасные части обязательно указывайте номер модели пылесоса.

Расходные материалы

Тканевая из микрофибры (X2) AC36 35601693

Требования к качеству продукции

Заводы компании Hoover прошли независимую оценку на предмет соблюдения требований к качеству выпускаемой продукции. Наша продукция изготавливается с применением системы качества, удовлетворяющей требованиям стандарта ISO 9001.

Ваша гарантия

Условия гарантии для данного бытового электрического прибора определяются нашим представительством в той стране, в которой этот электроприбор был куплен. Более подробную информацию об этих условиях вы можете получить от нашего дилера. При предъявлении претензий по условиям данных гарантийных обязательств необходимо предъявить чек или квитанцию на проданный товар.

Изменения могут быть внесены без предварительного уведомления.

INSTRUKCJE BEZPIECZNEGO UŻYTKOWANIA

Urządzenie to jest przeznaczone wyłącznie do użytku domowego w sposób opisany w niniejszej instrukcji użytkownika. Prosimy o dokładne zapoznanie się z instrukcją przed rozpoczęciem używania odkurzacza.

Nie pozostawiać urządzenia podłączonego do gniazdka zasilającego. Należy zawsze wyłączać urządzenie i wyjmować wtyczkę przewodu zasilającego z gniazdka po zakończeniu użytkowania, a także przed przystąpieniem do czyszczenia lub wykonywania jakichkolwiek czynności konserwacyjnych.

Urządzenie mogą obsługiwać osoby o ograniczonych zdolnościach fizycznych, sensorycznych lub mentalnych, a także osoby nieposiadające odpowiedniego doświadczenia oraz wiedzy, jedynie pod warunkiem że odbywać się będzie to pod nadzorem lub po przeszkoleniu na temat bezpiecznego użycia urządzenia oraz związanych z nim zagrożeń. Dzieci nie mogą bawić się urządzeniem.

Urządzenie po odłączeniu od zasilania i ostygnięciu należy odłożyć w miejscu niedostępnym dla dzieci.

Urządzenia nie należy eksploatować, jeśli upadło, jeśli posiada widoczne oznaki uszkodzenia lub jeśli nie jest szczelne.

Jeśli przewód zasilający uległ uszkodzeniu, należy natychmiast zaprzestać korzystania z urządzenia. Z względów bezpieczeństwa, przewód zasilający powinien zostać wymieniony przez serwisanta autoryzowanego punktu serwisowego firmy Hoover.

Urządzenie wymaga uziemienia.

Nie wolno pozostawiać urządzenia bez nadzoru, gdy jest ono podłączone do zasilania.

Nie wolno korzystać z urządzenia na zewnątrz.

Należy korzystać wyłącznie z końcówek, materiałów eksploatacyjnych oraz części zamiennych zalecanych lub dostarczonych przez firmę Hoover.

Nie wolno korzystać z urządzenia do czyszczenia osób, zwierząt lub roślin ani kierować w ich kierunku pary.

Nie kierować parą ani strumieniem cieczy w stronę urządzeń zawierających komponenty elektryczne, np. wnętrza komory piekarnika.

Przed uzupełnieniem wody w zbiorniku wyłączyć odkurzacza i wyjąć wtyczkę przewodu zasilającego z gniazdka. Nie przekraczać poziomu maksymalnego oznaczonego MAX.

Nie wolno otwierać otworu wlotowego do napełniania podczas użytkowania urządzenia.



Niebezpieczeństwo oparzeń!



Powierzchnie mogą rozgrzać się do wysokiej temperatury podczas eksploatacji. Unikać kontaktu z parą.

Nie stawać na przewodzie zasilającym i nie owijać go sobie wokół rąk lub nóg podczas korzystania z urządzenia.

Nie ustawiać urządzenia powyżej swojego poziomu podczas odkurzania schodów.

W przypadku używania narzędzi czyszczących należy zawsze stabilizować urządzenie drugą ręką. Zapobiegnie to przewróceniu się urządzenia podczas eksploatacji.

Dotykać wtyczki ani urządzenia mokrymi rękami.

Nie stąpać po przewodzie zasilającym podczas korzystania z urządzenia i nie wyjmować wtyczki, ciągnąc za przewód zasilający.

Nie kontynuować eksploatacji uszkodzonego urządzenia.

Serwis firmy Hoover: Aby zapewnić bezpieczne i sprawne działanie tego urządzenia, zalecamy zlecenie prac serwisowych lub napraw wyłącznie serwisantom autoryzowanego punktu serwisowego firmy Hoover.

Nie zanurzać urządzenia w wodzie lub innych cieczach.

Nie stosować wewnątrz urządzenia środków czyszczących lub płynów innych niż woda.

Dotyczy tylko Wielkiej Brytanii i Irlandii: Urządzenie wyposażone jest we wtyczkę z bezpiecznikiem 13 A. W razie konieczności wymiany bezpiecznika we wtyczce, należy użyć bezpiecznika 13 A zgodnego z ASTA (BS1362).

Ochrona środowiska

Symbol umieszczony na urządzeniu oznacza, że nie jest ono klasyfikowane jako odpad z gospodarstwa domowego. Urządzenie należy zdać w odpowiednim punkcie utylizacji w celu recyklingu komponentów elektrycznych i elektronicznych. Urządzenie należy złomować zgodnie z lokalnymi przepisami w sprawie utylizacji odpadów. Dodatkowe informacje na temat sposobu utylizacji, złomowania i recyklingu urządzenia można uzyskać w lokalnym urzędzie miejskim, w komunalnym zakładzie utylizacji odpadów lub w sklepie, w którym produkt został zakupiony.



Urządzenie spełnia wymogi europejskich norm 2014/35/EU, 2014/30/EU oraz 2011/65/WE.

CANDY HOOVER GROUP Srl Via Privata Eden Fumagalli, 20861 Brugherio (MB) Italy

ELEMENTY ODKURZACZA

- A. Przycisk uwalniania pary
- B. Zestaw uchwytu
- C. Górny i dolny zaczepek do nawijania przewodu elektrycznego.
- D. Przewód zasilający
- E. Ręczny przycisk zwalniający
- F. Ręczny spust zwalniający parę
- G. Obudowa główna odkurzacza
- H. Przycisk zwalniający szczotkę
- I. Trójkątna szczotka
- I2 Głowica podłogowa*
- J. Miejsce mocowania uchwytu
- K. Suwak regulacji pary poziom niski, średni i maksymalny.
- L. Wskaźnik włączenia (Czerwony)
- M. Kontrolka gotowości pary (zielona)
- N. Przycisk zasilania Wł./Wył.
- O. Zbiornik czystej wody
- P. Przycisk zwalniający zbiornik na czystą wodę
- Q. Końcówka stożkowa
- R. Wąż
- S. Końcówka zakrzywiona
- T. Szczotka okrągła
- U. Mała szczotka metalowa
- V. Duża szczotka metalowa
- W. Zbierak do okien
- X. Tkanina ochronna
- Y. Tkanina tekstylna
- Z. Końcówka do dywanów
- AA. Pedał zwalniający nakładkę do dywanów
- AB. Śruba

MONTAŻ ODKURZACZA

Wymij wszystkie elementy z opakowania.

1. Przycisnąć ergonomiczny uchwyt do obudowy odkurzacza i przykręcić za pomocą dostarczonej śruby. [1,2]
2. Zatrzasknij korpus urządzenia na szczotkę trójkątną [3]
3. Zamocuj końcówkę do podłóg wraz ze szczotką trójkątną na korpus główny*. [4]

*Tylko w niektórych modelach

KORZYSTANIE Z ODKURZACZA

PRZED ROZPOCZĘCIEM CZYSZCZENIA

1. Zwolnij przyciskiem, przesuwając go do góry, zbiornik na wodę i zdejmij pojemnik z urządzenia. [5]
2. Pociągnąć za korek pojemnika na wodę, aby go zdjąć. [6]
3. Napełnić zbiornik czystą wodą z kranu. Założyć z powrotem korek [7] i zamontować pojemnik na wodę. Nie dodawać żadnych środków chemicznych, detergentów ani perfum do zbiornika czystej wody.

UWAGA: Aby znacząco zmniejszyć ilość osadów mineralnych i przedłużyć żywotność mopa parowego, zaleca się stosowanie wody destylowanej lub demineralizowanej.

4. Zamocować tkaninę tekstylną na podstawie głowicy podłogowej. [8]

WAŻNE: Zawsze wyjąć wtyczkę przewodu zasilającego z gniazdka przed dolaniem wody lub wymianą tkaniny tekstylnej.

UWAGA: Przed użyciem wymyć tkaninę tekstylną, aby usunąć zabrudzenia.

CZYSZCZENIE TWARDYCH PODŁÓG PARĄ

UWAGA: Należy zawsze przed użyciem pozamiatać lub odkurzyć podłogę, aby usunąć śmieci lub zabrudzenia.

WAŻNE: Nie używać oczyszczacza bez tkaniny tekstylnej zamocowanej na głowicy podłogowej.

UWAGA: Nie stosować końcówki do dywanów do czyszczenia twardych podłóg.

1. Włożyć wtyczkę przewodu zasilającego do gniazdka sieciowego. Nacisnąć przycisk Wł./Wył. Włączy się (czerwona) kontrolka zasilania.
2. Po kilku sekundach zaświeci się kontrolka gotowości pary, wskazując, że oczyszczacz jest gotowy do pracy.
3. Pochylić urządzenie. W tym celu postawić stopę na głowicy podłogowej i obniżyć korpus w kierunku podłogi. [11]
4. Aby użyć pary, nacisnąć przycisk uwalniania pary. [12]
5. Powoli przesuwając urządzenie do przodu i do tyłu, zwracając szczególną uwagę na miejsca, po których chodzi wiele osób. [13]
6. Suwak regulacji pary służy do wyboru żądanej ilości pary (poziom niski, średni i maksymalny) odpowiednio do potrzeb czyszczenia. [14]

Parowe czyszczenie twardych podłóg - intensywne czyszczenie

Do czyszczenia twardych podłóg stosować trójkątną szczotkę podłogową. Należy pamiętać, że urządzenie nie posiada mopa i dany obszar będzie wymagać oddzielnego wytarcia.

UWAGA: Należy zawsze przed użyciem pozamiatać lub odkurzyć podłogę, aby usunąć śmieci lub zabrudzenia.

1. Zdjąć trójkątną szczotkę do podłóg z głowicy podłogowej. W tym celu nacisnąć pedał zwalniający z tyłu głowicy podłogowej. [15]

2. Włożyć wtyczkę przewodu zasilającego do gniazdka sieciowego. Włączy się (czerwona) kontrolka zasilania. Po kilku sekundach zaświeci się kontrolka gotowości pary, wskazując, że oczyszczacz jest gotowy do pracy.
3. Pochylić urządzenie. W tym celu postawić stopę na szczotce podłogowej i obniżyć korpus w kierunku podłogi. [16]
4. Aby wytworzyć parę, nacisnąć przycisk uwalniania pary. [12]
5. Suwak regulacji pary służy do wyboru żądanej ilości pary (poziom niski, średni i maksymalny) odpowiednio do potrzeb czyszczenia. [14]
6. Powoli przesuwając oczyszczacz do przodu i do tyłu, zwracając szczególną uwagę na miejsca, po których chodzi wiele osób. [17]

METODY KORZYSTANIA Z RĘCZNEGO ODKURZACZA PAROWEGO

1. Wyjąć wtyczkę przewodu zasilającego z gniazdka i sprawdzić, czy urządzenie ostygło.
2. Nacisnąć przycisk zwalniający na obudowie, aby wyjąć uchwyt. [19]
3. Pociągnąć za korek pojemnika na wodę, aby go zdjąć. [6]
4. Napełnić zbiornik czystą wodą z kranu. Założyć z powrotem korek [7] i zamontować pojemnik na wodę. Nie dodawać żadnych środków chemicznych, detergentów ani perfum do zbiornika czystej wody.
5. Włożyć wtyczkę przewodu zasilającego do gniazdka sieciowego. Nacisnąć przycisk Wł./Wył. Włączy się (czerwona) kontrolka zasilania. [18]
6. Po kilku sekundach zaświeci się kontrolka gotowości pary, wskazując, że oczyszczacz jest gotowy do pracy.
7. Aby wytworzyć parę, nacisnąć przycisk włączenia pary (ręczny). [20]
8. Suwak regulacji pary służy do wyboru żądanej ilości pary (poziom niski, średni i maksymalny) odpowiednio do potrzeb czyszczenia. [14]

UWAGA: Aby znacząco zmniejszyć ilość osadów mineralnych i przedłużyć żywotność mopa parowego, zaleca się stosowanie wody destylowanej lub demineralizowanej.

WAŻNE: Zawsze wyjąć wtyczkę przewodu zasilającego z gniazdka przed zdjęciem głowicy podłogowej lub uchwytu. Przed zdjęciem głowicy podłogowej należy zawsze upewnić się, czy oczyszczacz całkowicie ostygł.

DODATKOWE AKCESORIA

UWAGA: Akcesoria mogą być wykorzystywane w ręcznym odkurzaczu parowym

WAŻNE: Przed każdym użyciem sprawdzić uszczelkę na dyszy pary. Jeśli uszczelki brakuje lub jest ona uszkodzona, zaprzestać korzystania z urządzenia i skontaktować się z autoryzowanym serwisem Hoover.

Mocowanie węża i dysz na ręcznym odkurzaczu parowym

1. Włożyć wąż do dyszy parowej modułu ręcznego i obrócić w kierunku zgodnym z ruchem

- wskazówek zegara w taki sposób, aby wąż zablokował się bezpiecznie na miejscu.
2. Zamocować końcówkę stożkową na dyszy węża. Włożyć końcówkę stożkową i obrócić ją w kierunku zgodnym z ruchem wskazówek zegara w taki sposób, aby bezpiecznie zablokowała się na miejscu.
3. Zamocować inne drobne akcesoria na końcówce stożkowej. Po włożeniu obrócić w kierunku zgodnym z ruchem wskazówek zegara w taki sposób, aby bezpiecznie zablokowały się na miejscu.

Zbierak do okien i głowica uniwersalna [21]

Zbierak do okien należy zamocować na dyszy parowej modułu ręcznego i stosować do czyszczenia okien, luster oraz innych gładkich powierzchni szklanych. Założyć tkaninę ochronną na zbierak do okien. Ustawić intensywność pary odpowiednio do rodzaju tkaniny, która będzie czyszczona parą.

Końcówka stożkowa Używaj na bardzo zabrudzonych obszarach, np. pod prysznicami, w kuchniach.

Szczotka okrągła Używaj do uporczywych zabrudzeń i plam z tłuszczu.

Mała szczotka metalowa Do rusztów i półek piekarnika.

Duża szczotka metalowa Do rusztów i półek piekarnika.

WAŻNE: Zawsze sprawdzać, czy wąż oraz akcesoria są dobrze zamocowane przed przystąpieniem do pracy z ręcznym odkurzaczem parowym. Jeśli ze złączy wydostaje się para, oznacza to, że wąż i akcesoria nie są prawidłowo zamocowane. Należy odczekać chwilę aż do schłodzenia urządzenia, a następnie zdemontować i ponownie zamontować wąż i akcesoria.

KONSERWACJA URZĄDZENIA

WAŻNE: PRZED PRZYSTĄPIENIEM DO PRAC KONSERWACYJNYCH NALEŻY ZAWSZE UPEWNIĆ SIĘ, CZY OCZYSZCZACZ CAŁKOWICIE OSTYGL.

Opróżnić zbiornik brudnej wody

1. Wyjąć wtyczkę przewodu zasilającego z gniazdka i sprawdzić, czy urządzenie ostygło.
2. Zwolnij przyciskiem, przesuwając go do góry, zbiornik na wodę i zdejmij pojemnik z urządzenia. [5]
3. Pociągnąć za korek pojemnika na wodę, aby go zdjąć. [6]
4. Usunąć resztki wody ze zbiornika. Nałożyć i dokręcić korek oraz włożyć zbiornik na wodę z powrotem do urządzenia.

Zdejmowanie i czyszczenie tkaniny tekstylnej

1. Wyjąć wtyczkę przewodu zasilającego z gniazdka i sprawdzić, czy urządzenie ostygło.

2. W razie potrzeby odczepić końcówkę do dywanów, a następnie zdjąć tkaninę tekstylną z podstawy.
3. Wyprać tkaninę tekstylną w pralce, używając do tego delikatnego detergentu i maks. temperatury prania 40°C.

WAŻNE: Nie używać wybielacza ani zmiękczacza podczas prania tkaniny tekstylnej.

ROZWIĄZYWANIE PROBLEMÓW

W razie wystąpienia problemu z urządzeniem należy skorzystać z poniższej prostej listy kontrolnej użytkownika przed skontaktowaniem się z lokalnym serwisem firmy Hoover.

Odkurzacz parowy nie włącza się.

- Sprawdzić, czy wtyczka przewodu zasilającego jest włożona do gniazdka.
- Sprawdzić przewód zasilający.

Odkurzacz parowy nie wytwarza pary.

- W zbiorniku czystej wody nie ma wody.
- Nie odczekano wystarczająco długo po włączeniu urządzenia.

Tkanina tekstylna nie zbiera zabrudzeń.

- Tkanina może być nadmiernie zabrudzona i może wymagać wyprania.
- Patrz rozdział „Konserwacja”.

CZYSZCZENIE - NAJCZĘŚCIEJ ZADAWANE PYTANIA I ODPOWIEDZI

Kiedy kapsuła parowa 2w1 jest gotowa? W ciągu ok. 30 sekund.

Czy mogę używać kapsuły parowej 2w1 na wszystkich rodzajach podłóg? Na wszystkich podłogach twardych, np. z marmuru, płytek ceramicznych, kamienia, linoleum, na uszczelnionych podłogach z twardego drewna oraz na parkietach.

Czy kapsuła parowa 2w1 wyrzuca parę automatycznie? Nie. Aby wyprodukować parę, należy nacisnąć przycisk spustu pary pod uchwytem.

Czy mogę dodawać do zbiornika detergenty lub inne środki chemiczne? Nie. Można uszkodzić urządzenie.

Co zrobić, jeśli woda w moim mieście jest bardzo twarda? Można używać wody przefiltrowanej, destylowanej lub demineralizowanej. Jest to bardzo zalecane.

Na jak długo wystarczy jedno napełnienie zbiornika na wodę? Do 25 minut, jeśli spust będzie naciśnięty bez przerwy.

Czy mop można prać? Tak. Można go wyprać ręcznie lub w pralce, używając do tego łagodnego detergentu i maks. temperatury prania 40°C. Nie używać wybielacza ani zmiękczaczy do tkanin.

Jak często należy wymieniać mop? Zależy to od wielu czynników, przede wszystkim twardości podłogi. Najlepiej jest wymienić mop wtedy, jeśli po wypraniu jest on nadal brudny lub jeśli nie jest już tak wydajny jak na początku.

WAŻNE INFORMACJE

Części zapasowe i materiały eksploatacyjne firmy Hoover

Należy zawsze wymieniać części na oryginalne części zapasowe firmy Hoover. Można je nabyć

w lokalnym serwisie firmy Hoover lub bezpośrednio w firmie Hoover. Przy zamawianiu części zawsze należy podać numer danego modelu.

Materiały eksploatacyjne

Nakładki z mikrofibry (2 szt.) AC36 35601693

Jakość

Fabryki firmy Hoover zostały poddane niezależnej kontroli pod kątem jakości. Nasze produkty zostały wytworzone z wykorzystaniem systemu kontroli jakości spełniającego wymogi normy ISO 9001.

Gwarancja

Warunki gwarancji na niniejsze urządzenie są określone przez naszego przedstawiciela w kraju, w którym urządzenie jest sprzedawane. Szczegółowe informacje na temat warunków gwarancji można uzyskać w punkcie, w którym urządzenie zostało nabyte. Przy zgłaszaniu wszelkich roszczeń w ramach gwarancji należy przedstawić dowód sprzedaży lub pokwitowanie.

Zastrzegamy sobie możliwość wprowadzania zmian bez wcześniejszego powiadomienia.

NÁVOD K BEZPEČNÉMU POUŽITÍ

Tento vysavač by měl být používán pouze pro úklid domácnosti a v souladu s touto uživatelskou příručkou. Než začnete spotřebič používat, ujistěte se, že rozumíte tomuto návodu.

Nenechávejte zařízení zapnuté v zásuvce. Před čištěním nebo jakoukoli údržbou zařízení vždy vypněte a síťovou šňůru vytáhněte ze zásuvky.

Tento spotřebič mohou používat osoby s omezenými fyzickými, smyslovými nebo duševními schopnostmi nebo osob bez patřičných zkušeností a znalostí, za předpokladu, že jsou pod dohledem nebo jim byly dané instrukce týkající se bezpečného použití zařízení a byli seznámeni se spojenými riziky. S přístrojem si nesmí hrát děti.

Uchovávejte zařízení mimo dosah dětí pokud je v provozu nebo během chladnutí.

Vysavač nepoužívejte v případě, že spadl z výšky na podlahu, nacházejí-li se na něm viditelná poškození nebo úniky.

Jestliže je poškozena síťová šňůra, okamžitě přestaňte zařízení používat. Síťovou šňůru musí vyměnit autorizovaný servisní technik společnosti Hoover, aby se předešlo ohrožení bezpečnosti.

Tento výrobek musí být uzemněn.

Zařízení nesmí zůstat bez dohledu, když výrobek je připojen k elektrické síti.

Nepoužívejte Váš vysavač venku.

Používejte výhradně příslušenství, spotřební materiály a náhradní díly doporučené nebo dodávané firmou Hoover.

Nepoužívejte zařízení na čištění lidí, zvířat nebo rostlin.

Pára nesmí být nasměrovaná na vybavení obsahující elektrické komponenty, jako např. vnitřek trouby.

Odpojte čistič a vypněte jej před plněním nádrže na vodu. Neplňte nad značku MAX.

Plnicí otvor během použití nesmí být otevřený.



Nebezpečí opaření.



Povrchy se během používání silně zahřívají. Vyhněte se kontaktu s párou.

Během použití zařízení nestůjte na síťové šňůře ani si ji neovíjejte kolem paží či nohou.

Při úklidu schodů nestavte zařízení na vyšší schod, než se nacházíte vy.

Při použití čisticích nástrojů vždy jistěte výrobek druhou rukou. Tím zajistíte, aby výrobek v průběhu použití nespádl.

Nemanipulujte se zástrčkou nebo výrobkem vlhkýma rukama.

Během použití zařízení nepřejíždějte přes síťovou šňůru a nevytahujte síťový kabel ze zásuvky taháním za šňůru.

Spotřebič nepoužívejte, pokud je vadný.

Servis Hoover najdete na internetových stránkách www.candy-hoover.cz Spolehlivý provoz a vysoká účinnost tohoto spotřebiče jsou zajištěny pouze v případě, že bude prováděn pravidelný servis a opravy, které musí zajišťovat autorizovaný technik společnosti Hoover.

Neponořte vysavač do vody nebo jiných kapalin.

Nepoužívejte uvnitř zařízení jiné čisticí prostředky nebo tekutiny než vodu.

Pouze pro VB a Irsko: Tento spotřebič má 13amper síťovou zástrčku. Pokud potřebujete vyměnit pojistku v zástrčce síťového kabelu, použijte pojistky 13amper ASTA (BS1362).

Životní prostředí

Symbol na tomto zařízení označuje, že tento výrobek nesmí být likvidován jako domovní odpad. Zařízení musí být předáno do příslušného sběrného místa pro likvidaci elektrických a elektronických zařízení. Likvidace musí proběhnout v souladu s místními ekologickými předpisy pro likvidaci odpadu. Pro další podrobné informace o zacházení, regeneraci a likvidaci tohoto zařízení prosím kontaktujte Váš místní úřad, společnost pro sběr odpadu nebo obchod, kde jste jej zakoupili.



Tento spotřebič je v souladu s evropskými směrnicemi 2014/35/EU, 2014/30/EU a 2011/65/EU.

CANDY HOOVER GROUP Srl Via Privata Eden Fumagalli, 20861 Brugherio (MB) Italy

SEZNAMTE SE S VAŠÍM VYSAVAČEM

- A. Spuštění páry
- B. Držadlo
- C. Vrchní a spodní háky pro navinutí kabelu
- D. Přívodní kabel
- E. Tlačítko uvolnění ručního parního čističe
- F. Tlačítko vypuštění páry na rukojeti
- G. Hlavní tělo čističe
- H. Pedál pro uvolnění trojúhelníkového kartáče
- I. Trojúhelníkový kartáč
- I2 Podlahová hlavice*
- J. Zajištění ručního parního čističe
- K. Nastavení vypouštění páry (malé, střední a velké množství)
- L. Kontrolka stavu zapnuto (Červená)
- M. Indikátor páry (Zelená)
- N. Tlačítko Zapnutí/vypnutí
- O. Nádoba na čistou vodu
- P. Tlačítko uvolnění nádoby na čistou vodu
- Q. Kónický nástavec
- R. Hadice
- S. Zahnutá hubice
- T. Kulatý kartáč
- U. Malý kovový kartáč
- V. Velký kovový kartáč
- W. Stěrka na okna
- X. Malý hadřík
- Y. Textilní podložka
- Z. Nástavec na koberce
- AA. Pedál na uvolnění nástavce na koberce
- AB. Šroub

SESTAVENÍ VAŠEHO ČISTIČE

Vybalte všechny díly vysavače.

1. Nasadte ergonomickou rukojeť na hlavní tělo čističe a upevněte ji v poloze pomocí dodaného šroubu. [1,2]
2. Připojte hlavní tělo čističe k trojúhelníkovému kartáči. [3]
3. Připojte k hlavnímu tělu čističe nástavec na podlahu a na něj nasadte trojúhelníkový kartáč*. [4]

JAK POUŽÍVAT VYSAVAČ

NEŽ ZAČNETE VYSÁVAT

1. Uvolněte zásobník čisté vody posunutím tlačítka směrem nahoru a zásobník odejměte z hlavního těla čističe. [5]
2. Zatáhnutím za kryt otevřete zásobník vody. [6]
3. Naplňte zásobník na čistou vodu studenou vodou z kohoutku. Vyměňte kryt [7] a připevněte zásobník vody. Nepřidávejte do zásobníku na čistou vodu žádné chemikálie, čisticí prostředky ani parfémy.

POZNÁMKA: Aby bylo možné výrazně snížit minerální nahromadění a prodloužit životnost vašeho parního mopu je vysoce doporučeno použití destilované nebo demineralizované vody v jednotce.

4. Připevněte textilní podložku k základně podlahového nástavce. [8]

DŮLEŽITÉ UPOZORNĚNÍ: Při doplňování vody nebo při výměně textilní podložky vždy vysavač odpojte.

POZNÁMKA: Před použitím vyperte textilní podložku, abyste odstranili veškerý prach.

ČIŠTĚNÍ TVRDÝCH PODLAH PÁROU

POZNÁMKA: Před použitím vždy zameťte nebo vysajte podlahu, abyste odstranili špínu nebo drobký.

DŮLEŽITÉ UPOZORNĚNÍ: Nepoužívejte čistič bez textilní podložky připevněné k podlahové hlavici.

POZNÁMKA: Nepoužívejte kobercový nástavec při čištění tvrdých podlah.

1. Zapojte parní vysavač do zásuvky. Stiskněte tlačítko napájení, rozsvítí se (červená) kontrolka napájení.
2. Po několika sekundách se rozsvítí (zelená) kontrolka, která značí, že je čistič připraven k použití.
3. Nakloňte vysavač tak, že umístíte nohu na podlahovou hlavici a spustíte hlavní tělo k zemi. [11]
4. Aby vycházela pára, stiskněte tlačítko pro uvolnění páry. [12]
5. Pohybujte vysavačem pomalu dozadu a dopředu a věnujte zvláštní pozornost nejvíce zatěžovaným oblastem. [13]
6. Regulace vypouštění páry slouží k nastavení na malé, střední a velké množství páry podle dané náročnosti čištění. [14]

Čištění tvrdé podlahy párou - intenzivní čištění

Na podlahy, které vyžadují hlubkové čištění, použijte trojúhelníkový kartáč. Nezapomeňte, že mop není součástí a oblast budete muset vysušit samostatně.

POZNÁMKA: Před použitím vždy zameťte nebo vysajte podlahu, abyste odstranili špínu nebo drobký.

1. Stisknutím pedálu na zadní straně hlavice na podlahy sejměte trojúhelníkový kartáč na podlahy. [15]
2. Zapojte parní vysavač do zásuvky. Rozsvítí se (červená) kontrolka. Po několika vteřinách se rozsvítí zelená kontrolka „Pára připravena“ oznamující, že vysavač je připraven k použití.
3. Nakloňte vysavač tak, že umístíte nohu na kartáč na podlahu a spustíte hlavní tělo k zemi. [16]
4. Tlačítkem uvolníte páru. [12]
5. Regulace vypouštění páry slouží k nastavení na malé, střední a velké množství páry podle dané náročnosti čištění. [14]
6. Pohybujte vysavačem pomalu dozadu a dopředu a věnujte zvláštní pozornost nejvíce zatěžovaným oblastem. [17]

ZPŮSOBY POUŽITÍ RUČNÍHO PARNÍHO ČISTIČE

1. Odpojte čistič ze zásuvky a zajistěte jeho vychladnutí.
2. Pomocí tlačítka uvolnění na hlavním těle čističe sundejte rukojeť. [19]
3. Zatáhnutím za kryt otevřete zásobník vody. [6]
4. Naplňte zásobník na čistou vodu studenou vodou z kohoutku. Vyměňte kryt [7] a připevněte zásobník vody. Nepřidávejte do zásobníku na čistou vodu žádné chemikálie, čisticí prostředky ani parfémů.
5. Zapojte parní vysavač do zásuvky. Stiskněte tlačítko napájení, rozsvítí se (červená) kontrolka napájení. [18]
6. Po několika sekundách se rozsvítí (zelená) kontrolka, která značí, že je čistič připraven k použití.
7. Pro výrobu páry stiskněte tlačítko uvolnění páry. [20]
8. Regulace vypouštění páry slouží k nastavení na malé, střední a velké množství páry podle dané náročnosti čištění. [14]

POZNÁMKA: Aby bylo možné výrazně snížit minerální nahromadění a prodloužit životnost vašeho parního mopu, doporučuje se použití destilované nebo demineralizované vody v jednotce.

DŮLEŽITÉ UPOZORNĚNÍ: Při odstraňování podlahové hubice nebo rukojeti vždy vysavač odpojte. Před odstraněním podlahové hubice se vždy ujistěte, že čistič úplně vychladl.

PŘÍSLUŠENSTVÍ

POZNÁMKA: Příslušenství lze připnout pouze k ručnímu parnímu čističi.

DŮLEŽITÉ UPOZORNĚNÍ: Před každým použitím zkontrolujte těsnění na parní trysce, pokud těsnění chybí nebo je poškozeno, čistič nepoužívejte a kontaktujte autorizovaný servis Hoover.

Připevnění hadice a trysky k ručnímu parnímu čističi

1. Připevněte hadici k parní trysce ruční jednotky a otáčejte směrem vpravo, dokud hadice nezapadne do své polohy a není zajištěna.
2. Připojte konický nástroj k hubici hadice. Vložte a otočte kónický nástavec ve směru hodinových ručiček dokud není v uzamčené pozici a zabezpečen.
3. Připevněte další drobné příslušenství ke kónickému nástroji, vložte a otočte doprava, dokud nezapadne do své polohy a není zajištěno.

Stěrka na okna a nástrojová hlava [21]

Okenní stěrka se připne na parní trysku ručního přístroje a slouží k čištění oken, zrcadel a jiných hladkých skleněných ploch. Přiložte na okenní stěrku malý hadřík. Zvolte intenzitu parního nastavení vhodnou pro textilie, na které používáte páru.

Kónický nástavec Použití na silně znečištěné oblasti, jako jsou sprchy, kuchyně.

Kulatý kartáč Použití na silnou mastnotu a špínu.

Malý kovový kartáč Pro pečící trouby a plechy.

Velký kovový kartáč Pro pečící trouby a plechy.

DŮLEŽITÉ UPOZORNĚNÍ: před použitím ručního parního čističe se ujistěte, že jsou hadice i příslušenství pevně připnuty. Pokud ze spoje uniká pára, nejsou hadice s příslušenstvím správně připnuty. Nechejte zařízení zchladnout a poté odepněte a znovu připněte hadici s příslušenstvím.

ÚDRŽBA VYSAVAČE

DŮLEŽITÉ UPOZORNĚNÍ: VŽDY ZAJISTĚTE, ABY BYL VYSAVAČ ZCELA ZCHLADLÝ, NEŽ BUDETE PROVÁDĚT JAKOUKOLI ÚDRŽBU.

Vyprázdněte zásobník na vodu.

1. Odpojte čistič ze zásuvky a zajistěte jeho vychladnutí.
2. Uvolněte zásobník čisté vody posunutím tlačítka směrem nahoru a zásobník odejměte z hlavního těla čističe. [5]
3. Zatáhnutím za kryt otevřete zásobník vody. [6]
4. Vylijte z nádrže přebytečnou vodu. Našroubujte víčko a vraťte do vysavače.

Odstranění a čištění textilní podložky

1. Odpojte čistič ze zásuvky a zajistěte jeho vychladnutí.
2. V případě potřeby odstraňte koberecový kluzák, následně odstraňte textilní podložku z podlahové základny.
3. Vyperte textilní podložku v pračce pomocí jemného čisticího prostředku na maximálně 40°C.

DŮLEŽITÉ UPOZORNĚNÍ: Při čištění textilní podložky nepoužívejte bělidla ani změkčovače.

ŘEŠENÍ POTÍŽÍ

Pokud máte jakýkoli problém s výrobkem, proveďte kontrolu podle tohoto seznamu, než se obrátíte na servisní středisko Hoover.

Parní čistič se nezapne.

- Zkontrolujte, zda je vysavač zapojen do zásuvky.
- Zkontrolujte přívodní kabel.

Z čističe nevychází pára.

- Je možné, že v zásobníku na čistou vodu není voda.
- Nepočkali jste dostatečně dlouhou dobu po zapnutí, aby se stihla pára vytvořit.

Čistící hadřík nebude zvedat špínu.

- Je možné, že čistící podložka je již naplněna špínou a je nutné ji vyprat.

Viz část Údržba.

ČASTO KLADENÉ DOTAZY OHLEDNĚ ČIŠTĚNÍ

Kdy je parní čistič Steam Capsule 2 v 1 připraven k použití? Přibližně za 30 vteřin.

Můžu čistič Steam Capsule 2 v 1 použít na všechny podlahové povrchy? Na všechny tvrdé podlahy jako mramor, keramiku, kámen, linoleum, utěsněné podlahy z tvrdého dřeva a parkety.

Vypouští čistič Steam Capsule 2 v 1 páru automaticky? Ne, pro vypouštění páry musíte stisknout tlačítko vypouštění páry pod rukojetí.

Mohu do zásobníku dát čisticí prostředky nebo jiné chemikálie? Ne, poškodili byste produkt.

Co mám dělat, když je v místě mého bydliště velmi tvrdá voda? Důrazně doporučujeme použít filtrovanou, destilovanou nebo demineralizovanou vodu.

Jak dlouho vydrží zásobník vody, než musí být doplněn? Až 25 minut, pokud budete stále držet tlačítko páry stisknuté.

Lze mop prát? Ano, lze jej prát ručně nebo v pračce pomocí jemného čisticího prostředku při max. teplotě 40°C. Nepoužívejte bělidla ani změkčovače.

Jak často mám mop měnit? To závisí na různých faktorech a především na tvrdosti vody. Nejlepší pro zjištění, kdy mop vyměnit, je, když je mop stále špinavý poté, co byl vyprán, nebo když si všimnete, že už nefunguje tak jako předtím.

DŮLEŽITÉ INFORMACE

Náhradní díly a spotřební materiály Hoover

Vždy používejte originální náhradní díly společnosti Hoover. Získáte je u místního prodejce výrobků Hoover nebo u servisních partnerů. V objednávce dílů laskavě vždy uvádějte číslo modelu.

Spotřební materiál

Podložka z mikrovlákna (X2) AC36 35601693

Kvalita

Kvalita výroby ve výrobních závodech společnosti Hoover byla posouzena nezávislou organizací. Naše výrobky jsou vyráběny podle systému jakosti, který splňuje požadavky ISO 9001.

Záruka

Záruční podmínky pro tento spotřebič stanoví náš zástupce v zemi, v níž je spotřebič prodáván. Přesné znění podmínek vám poskytne prodejce, u něhož jste si spotřebič zakoupili. Při reklamaci podle těchto záručních podmínek je nutno předložit účtenku nebo doklad o nákupu.

Právo změny bez předchozího upozornění vyhrazeno.

NAVODILA ZA VARNO UPORABO

Sesalnik lahko uporabljate le za čiščenje stanovanjskih prostorov, kot je opisano v tem priročniku. Prosim, da se pred uporabo sesalnika temeljito seznanite s temi navodili.

Sesalnika ne puščajte priključenega na električno omrežje. Po vsaki uporabi ali pred kakršnimi koli vzdrževalnimi deli in čiščenjem naprave sesalnik vedno izklopite in izvlecite vtičač iz električne vtičnice.

Napravo lahko uporabljajo osebe z omejenimi telesnimi, zaznavnimi ali duševnimi zmožnostmi ali osebe s pomanjkljivimi izkušnjami in pomanjkljivim znanjem, če so pod nadzorom ali so bile ustrezno podučene o varni uporabi naprave ter se zavedajo nevarnosti, ki so povezane z njeno uporabo. Otroci se ne smejo igrati z aparatom.

Naprava naj bo izven dosega otrok, ko se polni ali ohlaja.

Naprave ne uporabljajte, če je padla na tla, če opazite vidne poškodbe ali če pušča.

Če je napajalni kabel poškodovan, nemudoma prenehajte z uporabo sesalnika. Da bi se izognili nevarnosti, mora napajalni kabel zamenjati pooblaščen Hooverjev serviser.

Ta naprava mora biti ozemljena.

Naprave ne puščajte brez nadzora, medtem ko je priključena na električno omrežje.

Naprave ne uporabljajte na prostem.

Uporabljajte le dodatke, potrošni material ali nadomestne dele, ki jih priporoča ali dobavi Hoover.

Naprave ne uporabljajte za čiščenje živali, ljudi ali rastlin, prav tako vanje ne usmerjajte pare.

Ne usmerjajte tekočine ali pare v naprave, ki vsebujejo električne sestavne dele, kot na primer notranjost pečice.

Preden napolnite posodo z vodo, sesalnik izključite in ga izklopite. Voda ne sme segati čez oznako MAX. Med uporabo ne smete odpirati pokrovčka za polnjenje z vodo.



Nevarnost opeklin.



Površine se med uporabo lahko zelo segrejejo. Izogibajte se stiku s paro.

Med uporabo sesalnika ne smete stati na kablu ali si ga ovijati okoli rok ali nog.

Sesalnika ne smete postavljati nad seboj, ko sesate stopnice.

Ko uporabljate čistilne pripomočke, vedno držite napravo z drugo roko. Tako boste preprečili, da bi naprava med uporabo padla.

Priključka ali naprave se ne dotikajte z mokrimi rokami.

Ne smete zapeljati prek napajalnega kabla med uporabo sesalnika ali izvleči vtičača tako, da bi vlekli za kabel.

Ne smete nadaljevati z uporabo sesalnika, če opazite nepravilnosti v delovanju.

Hooverjev servis: Za zagotovitev nenehnega varnega in učinkovitega delovanja naprave priporočamo, da servis ali popravila izvrši le pooblaščen Hooverjev serviser.

Naprave ne potaplajte v vodo ali v druge tekočine.

V napravo ne vlivajte detergentov ali drugih tekočin, razen vode.

Velja le za VB in Irsko: Naprava ima 13-amperski vtič. Če morate zamenjati varovalko vtiča, uporabite 13-ampersko varovalko ASTA (tip BS1462).

Okolje

Simbol na izdelku pomeni, da izdelka ne smete odstraniti kot gospodinjski odpadek. Oddati ga morate na zbirnem mestu za recikliranje električne in elektronske opreme. Odstranitev morate izvesti v skladu s krajevnimi okoljskimi predpisi glede odstranjevanja odpadkov. Za podrobnejše informacije o ravnanju z izdelkom, obnovi in recikliranju izdelka se obrnite na krajevni urad, komunalno podjetje za odvoz gospodinjskih odpadkov ali trgovino, kjer ste izdelek kupili.



Ta naprava je v skladu z evropskimi direktivami 2014/35/EU, 2014/30/EU in 2011/65/EU.

CANDY HOOVER GROUP Srl Via Privata Eden Fumagalli, 20861 Brugherio (MB) Italy

SPOZNAJTE SVOJ SESALNIK

- A. Sprožilo za izpust pare
- B. Zgradba ročaja
- C. Zgornji in spodnji kavelj za shranjevanje kabla
- D. Napajalni kabel
- E. Ročni gumb za sprostitvev
- F. Ročni sprožilec za sproščanje pare
- G. Glavno ohišje sesalnika
- H. Stopalka za sproščanje krtače Triangular
- I. Trikotno krtačo
- I2 Nastavek za tla*
- J. Predel za fiksno namestitev ročaja
- K. Drsnik za nadziranje sprožanja pare - Low, Medium,
- L. Maximum
- M. Opozorilna lučka pri prižgani napravi (Rdeča)
- N. Indikator pripravljenosti pare (Zelena)
- O. Gumb za vklop/izklop
- P. Rezervoar za čisto vodo
- Q. Gumb za sprostitvev posode za čisto vodo
- R. Šiljasti nastavek
- S. Cev
- T. Ukrivljena šoba
- U. Okrogla krtača
- V. Majhna kovinska krtača
- W. Bisalec za okna
- X. Majhna krpa
- Y. Čistilna blazinica iz blaga
- Z. Nastavek za preproge
- AA. Stopalka za sprostitvev krtače za preproge
- AB. Zapah

SESTAVLJANJE SESALNIKA

Iz embalaže odstranite vse sestavne dele.

1. Ergonomski ročaj namestite na glavno ogordje čistilca in ga v njegovo lego pritrdite s pomočjo ustreznega zapaha. [1,2]
2. Glavno ogordje sesalnika namestite na trikotno krtačo. [3]
3. Glavno ogordje sesalnika pritrdite na krtačo za čiščenje tal in nato nanjo pritrdite še trikotno krtačo*. [4]

*Le pri določenih modelih

UPORABA SESALNIKA

PRED ZAČETKOM ČIŠČENJA

1. Posodo za čisto vodo sprostite tako, da zapah posode potisnete navzgor in nato posodo odstranite z glavnega ogrodja sesalnika. [5]
2. Povlecite zamašek, ki se nahaja na posodi za vodo, in jo tako odprite. [6]
3. Posodo za čisto vodo napolnite s hladno vodo iz pipe. Spet namestite zamašek [7] in zatem spet namestite tudi posodo za vodo. Ne dodajajte kakršnih koli kemikalij, detergentov ali parfumov v čisti rezervoar za vodo.

OPOMBA: Da bi znatno zmanjšali nabiranje vodnega kamna in podaljšali življensko dobo parnega brisala, toplo priporočamo uporabo destilirane ali demineralizirane vode.

4. Na nastavek za čiščenje tal namestite tekstilno podlogo. [8]

POMEMBNO: Ko natakate vodo ali menjujete tekstilno podlogo, sesalnik vedno izključite iz elektrike.

OPOMBA: Pred uporabo operite tekstilno blazino, da odstranite kakršno koli šarpijo.

PARNO ČIŠČENJE TRDIH POVRŠIN

OPOMBA: Vedno počistite ali posesajte tla, preden ga uporabite, da odstranite kakršno koli umazanijo ali razbitine.

POMEMBNO: Sesalnika ne uporabljajte, ko na nastavku za čiščenje tal ni nameščena tekstilna podloga.

OPOMBA: Nastavka za čiščenje tepihov ne uporabljajte za čiščenje trdih površin.

1. Parni sesalnik priklopite na elektriko. Pritisnite gumb on/off. Prižgala se bo rdeča lučka.
2. Po nekaj sekundah bo zasvetila zelena lučka za prikaz pripravljenosti pare, kar pomeni, da sesalnik lahko začnete uporabljati.
3. Sesalnik položite tako, da nogo postavite na nastavek za tla in glavno enoto spustite proti tlom. [11]
4. Za izpust pare pritisnite na sprožilec za paro. [12]
5. Sesalnik počasi potiskajte nazaj in naprej in bodite posebej pozorni na predele, ki so najbolj prehodni. [13]
6. Različne stopnje za nadziranje pare uporabniku omogočajo, da izbira med možnostmi Low, Medium ali High in tako moč sproščanja pare prilagodi svojim potrebam. [14]

Parno čiščenje trdega poda - intenzivno čiščenje

Uporabite trikotno krtačo za tla na trdih tleh, kizahtevajo globoko čiščenje. Ne pozabite, da sesalnik nima krpe in da morate zato površino naknadno še posušiti.

OPOMBA: Vedno počistite ali posesajte tla, preden ga uporabite, da odstranite kakršno koli umazanijo ali razbitine.

1. Trikotno krtačo odstranite s krtače za čiščenje tal. To storte tako, da pritisnete stopalko za sproščanje, ki se nahaja na zadnji strani krtače za čiščenje tal. [15]
2. Parni sesalnik priklopite na elektriko. Prižge se (rdeča) lučka, ki sporoča, da je naprava prižgana. Po nekaj sekundah bo zasvetila zelena lučka za prikaz pripravljenosti pare, kar pomeni, da sesalnik lahko začnete uporabljati.
3. Sesalnik položite tako, da nogo postavite na krtačo za tla in glavno enoto spustite proti tlor. [16]
4. Če želite proizvesti paro, pritisnite gumb za sproščanje pare. [12]
5. Različne stopnje za nadziranje pare uporabniku omogočajo, da izbira med možnostmi Low, Medium ali High in tako moč sproščanja pare prilagodi svojim potrebam. [14]
6. Sesalnik počasi potiskajte nazaj in naprej in bodite posebej pozorni na predele, ki so najbolj prehodni. [17]

UPORABA PRENOSNEGA PARNEGA SESALNIKA

1. Izključite sesalnik iz električnega omrežja in se prepričajte, da se je ohladil.
2. Pritisnite gumb za sprostitev, ki se nahaja na glavnem ogroddju, in nato izvlecite ročni element. [19]
3. Povlecite zamašek, ki se nahaja na posodi za vodo, in jo tako odprite. [6]
4. Posodo za čisto vodo napolnite s hladno vodo iz pipe. Spet namestite zamašek [7] in zatem spet namestite tudi posodo za vodo. Ne dodajajte kakršnih koli kemikalij, detergentov ali parfumov v čisti rezervoar za vodo.
5. Parni sesalnik priklopite na elektriko. Pritisnite gumb on/off. Prižgala se bo rdeča lučka. [18]
6. Po nekaj sekundah bo zasvetila zelena lučka za prikaz pripravljenosti pare, kar pomeni, da sesalnik lahko začnete uporabljati.
7. Da bi proizvedli paro, pritisnite gumb za proizvodnjo pare (ročaj). [20]
8. Različne stopnje za nadziranje pare uporabniku omogočajo, da izbira med možnostmi Low, Medium ali High in tako moč sproščanja pare prilagodi svojim potrebam. [14]

OPOMBA: Da bi znatno zmanjšali nabiranje vodnega kamna in podaljšali življensko dobo parnega brisala, toplo priporočamo uporabo destilirane ali demineralizirane vode.

POMEMBNO: Ko odstranite glavo za tla ali ročaj, vedno izklopite sesalnik iz elektrike. Vedno počakajte, da se sesalnik dobro ohladi, in šele nato odstavite glavo za tla.

DODATNI PRIKLJUČKI

OPOMBA: Pripomočke lahko pritrdite samo na ročni parni čistilec.

POMEMBNO: Pred vsako uporabo si dobro oglejte pečat na šobi za paro. Če pečata ni ali je poškodovan, ne uporabljajte naprave in pokličite enega od Hooverjevih pooblaščenih servisov.

Nameščanje cevi in šob na ročni parni čistilec.

1. Cev namestite na šobo za paro, ki se nahaja na ročnem elementu. Zatem cev zavrtite v smeri urinega kazalca, in sicer vse dokler se ta varno ne namesti v svojo lego.
2. Namestite šiljasti nastavek na nastavek na cevi. Vstavite in obračajte v smeri urinega kazalca, dokler se šiljasti nastavek ne zaskoči na svoje mesto.
3. Druge manjše pripomočke namestite na stožčast element, nato pa jih vstavite in zavrtite v smeri urinega kazalca in vrtite, vse dokler niso povsem varno pritrjeni v svoji legi.

Brisalec za okna in večnamenski nastavek [21]

Strgalo za okna namestite na šobo za paro, ki se nahaja na ročnem elementu. Strgalo uporabite za čiščenje oken, ogledal in drugih gladkih steklenih površin. Majhno platneno krpo namestite na strgalo za čiščenje oken. Izberite ustrezno moč pare za tkanino, ki nameravate čistiti.

Šiljasti nastavek Uporabljajte na močno umazanih površinah, kot so tuš ali kuhinja.

Okrogla krtača Uporabite za trdovratno umazanijo in maščobne madeže.

Majhna kovinska krtača Za rešetke pečice in stojala.

Velika kovinska krtača Za rešetke pečice in stojala.

POMEMBNO: Pred uporabo ročnega parnega čistilca vedno preverite, ali so vsi pripomočki dobro pritrjeni. Če para uhaja iz reže, ki povezuje cev in druge pripomočke, ti niso dobro pritrjeni. V tem primeru počakajte, da se naprava dobro ohladi, nato pa najprej odstranite in zatem spet dobro pritrdite cev in pripomočke.

VZDRŽEVANJE SESALNIKA

POMEMBNO: PRED VZDRŽEVALNIMI POSEGI SE VEDNO PREPRIČAJTE, DA SE JE SESALNIK OHLADIL.

Izpraznite rezervoar za vodo

1. Izključite sesalnik iz električnega omrežja in se prepričajte, da se je ohladil.
2. Posodo za čisto vodo sprostite tako, da zapah posode potisnete navzgor in nato posodo odstranite z glavnega ogroddja sesalnika. [5]
3. Povlecite zamašek, ki se nahaja na posodi za vodo, in jo tako odprite. [6]
4. Iz posode izpraznite odvečno vodo. Ponovno pritrdite pokrov in se vrnite k sesalniku.

Odstranjevanje in čiščenje tekstilne podloge

1. Izključite sesalnik iz električnega omrežja in se prepričajte, da se je ohladil.
2. Po potrebi odstranite nastavek za tepih in nato odstranite tekstilno podlogo.
3. Čistilno blazinico operite z nežnim detergentom v pralnem stroju na največ 40°C.

POMEMBNO: Za pranje krpe iz blaga ne uporabljajte belil ali mehčalca.

ODPRAVLJANJE TEŽAV

Če imate težave z izdelkom, preglejte ta preprost kontrolni seznam za uporabnika, preden pokličete pooblaščen Hooverjev servis.

Parni sesalnik se ne vključi.

- Preverite, ali je enota priklopljena na elektriko.
- Preverite napajalni kabel.

Parni čistilec ne proizvaja pare.

- V posodi za čisto vodo morda ni vode.
- Mogoče niste počakali dovolj časa.

Čistilna krpa ne pobira prahu.

- Čistilna krpa je morda prenasočena z umazanijo in jo je potrebno oprati.
- Glejte poglavje Vzdrževanje sesalnika.

NAJPOGOSTEJŠA VPRAŠANJA O ČIŠČENJU

Kdaj je Steam capsule 2in1 pripravljen? V približno 30 sekundah.

Lahko uporabim Steam capsule 2in1 na vseh talnih površinah? Na vseh trdih tleh, kot so marmor, keramika, kamen, linolej, na sifonastih tleh iz trdega lesa in na parketu.

Ali Steam capsule 2in1 avtomatično oddaja paro? Ne. Če želite, da naprava oddaja paro, pritisnite gumb za sprožanje pare, ki se nahaja pod ročajem.

Lahko dam detergente ali druge kemikalije v rezervoar? Ne, poškodovali boste izdelek.

Kaj, če je v mestu, kjer živim, voda zelo trda? Svetujemo vam, da vedno uporabljate filtrirano, destilirano ali demineralizirano vodo.

Koliko časa bo en rezervoar vode trajal, preden je potrebno novo polnjenje? Približno 25 minut, če neprestano pritiskate sprožilec.

Je krpa iz tekstila pralna? Ja, lahko ga ročno perete ali v pralnem stroju z blagim detergentom pri maks. temperaturi 40°C. Ne uporabljajte belila ali mehčalca za blago.

Kako pogosto moram zamenjati brisalo? To je odvisno od različnih faktorjev, predvsem od trdote tal. krpo iz tekstila zamenjamo ko je krpa po pranju še vedno umazana ali če opazite, da ni učinkovita tako kot prej.

POMEMBNE INFORMACIJE

Nadomestni deli in potrošni material Hoover

Vedno uporabljajte originalne nadomestne dele Hoover. Dobite jih pri krajevnem prodajalcu Hooverjevih izdelkov. Pri naročanju delov vedno navedite številko modela.

Potrošni material

Blazinice iz mikrovlakn (X2) AC36 35601693

Kakovost

Hooverjeve tovarne so bile predmet neodvisnega ocenjevanja kakovosti. Naši izdelki so izdelani na osnovi sistema kakovosti, ki izpolnjuje zahteve standarda ISO 9001.

Vaša garancija

Garancijski pogoji za to napravo so taki, kot jih določi zastopnik v državi, kjer je naprava prodana. Podrobnosti glede garancijskih pogojev lahko dobite od prodajalca, pri katerem ste napravo kupili. Če želite uveljavljati kakršno koli garancijo, potrebujete potrdilo o nakupu ali račun.

Garancija se lahko spreminja brez predhodnega obvestila.

GÜVENLİ KULLANIM TALİMATLARI

Bu süpürge kullanım kılavuzunda belirtildiği gibi yalnızca evsel temizlik için kullanılmalıdır. Lütfen ürünü kullanmadan önce bu kılavuzun tam olarak anlaşıldığından emin olun.

Süpürge fişini prize takılı bırakmayın. Cihazı kullanmadan veya temizlemeden önce ya da herhangi bir bakım işleminden önce daima kapalı konuma getirin ve fişi prizden çekin.

Bu cihaz, gözetim altında olduklarında ya da cihazın güvenli kullanımı ile ilgili bilgi aldıklarında ve ilgili tehlikeleri anladıklarında, fiziksel, hissi ya da ruhsal yeterlilikleri düşük kişiler veya deneyimsiz ve bilgisiz kişiler tarafından kullanılabilir. Çocuklar cihaz ile oynamamalıdır.

Cihaz güç kaynağına bağlıyken ya da soğuma aşamasındayken cihazı çocuklardan uzak tutun.

Cihaz, düşürülmüşse, gözle görülebilir hasar belirtileri varsa veya sızdırıyorsa kullanılmayacaktır.

Güç kablosu hasar görürse cihazı kullanmayı derhal bırakın. Herhangi bir yaralanmaya engel olmak için güç kablosunun mutlaka yetkili bir Hoover servisi tarafından değiştirilmesi gereklidir.

Bu cihaz topraklanmış olmalıdır.

Cihaz şebeke beslemesine bağlıyken gözetimsiz bırakılmamalıdır.


Cihazı dış mekanlarda kullanmayın.

Yalnızca Hoover tarafından önerilen veya sağlanan aparatları, malzemeleri ve yedek parçaları kullanın.

Cihazı insanları, hayvanları veya bitkileri temizlemek için kullanmayın veya buharı bunlara doğru yöneltmeyin.

Sıvı ya da buhar fırın içi gibi elektrikli bileşenler bulunan ekipmana doğru yöneltmemelidir.

Su haznesini doldurmadan önce temizleyiciyi prizden çekin ve kapatın. MAX işareti hizasını geçecek şekilde doldurmayın. Kullanım sırasında doldurma cihazı açılmamalıdır.

 Yanma Tehlikesi.



Yüzeylerin kullanım sırasında fazla ısınması muhtemeldir. Buhar temasından sakının.

Cihazınızı kullanırken kablonun üzerinde durmayın veya kabloyu kolunuza ya da bacaklarınıza sarmayın.

Merdivenleri temizlerken cihazı sizden daha yükseğe yerleştirmeyin.

Temizlik aletleri kullanırken, her zaman diğer elinizi kullanarak ürünün sabit kalmasını sağlayın. Bu, cihazın kullanım sırasında düşmemesini sağlar.

Fişi ve cihazı ıslak ellerle kullanmayın.

Cihazı kullanırken güç kablosu üzerine basmayın veya güç kablosundan çekerek prizden çıkarmayın.

Arızalı görünüyorsa cihazınızı kullanmaya devam etmeyin.

Hoover teknik servisi: Cihazın uzun süre güvenli ve verimli kullanımını sağlamak için, servis ve bakımlarının yetkili Hoover servisinde yapılmasını tavsiye ederiz.

Cihazı suya ve diğer sıvılara daldırmayın.

Cihazın içinde suyun dışında deterjan veya sıvılar kullanmayın.

Yalnızca İrlanda ve İngiltere için: Bu cihazda 13 amperlik şebeke fişi bulunmaktadır. Şebeke fişindeki sigortayı değiştirmeniz gerekirse, 13 amperlik ASTA (BS1362) sigortasını kullanın.

Çevre

Bu aygıtta bulunan simge, aygıtın ev atığı gibi işlem yapılamayacağını belirtir. Bunun yerine uygun elektrikli ve elektronik ekipman geri dönüşüm toplama noktasına teslim edilmelidir. İmha, atık imhası için düzenlenen yerel çevre yönetmeliklerine uygun olarak yapılmalıdır. Bu aygıtta ait işlem, kurtarma ve geri dönüşümle ilgili daha ayrıntılı bilgi için, lütfen yerel şehir ofisiniz, ev atığı ve çöp atma servisiniz ya da aygıtı satın aldığınız mağaza ile irtibata geçin.



Bu aygıt 2014/35/EU, 2014/30/EU ve 2011/65/EU Avrupa Direktiflerine uygundur.

CANDY HOOVER GROUP Srl Via Privata Eden Fumagalli, 20861 Brugherio (MB) Italy

SÜPÜRGENİZİN PARÇALARI

- A. Buhar Bırakma Tetiği
- B. Sap Tertibatı
- C. Üst ve Alt Kablo Saklama Kancaları
- D. Güç Kablosu
- E. El Ünitesi Çıkarma Düğmesi
- F. El Ünitesi Buhar Çıkarma Tetiği
- G. Elektrikli Süpürge Ana Gövdesi
- H. Üçgen Fırça Bırakma Pedalı
- I. Üçgen Fırça
- I2 Zemin Başlığı*
- J. Sap Sabitleme Konumu
- K. Değişken Buhar Çıkarma Kaydırıcısı, Düşük, Orta,
- L. Maksimum.
- M. Güç Açık Gösterge Işığı (Kırmızı)
- N. Buhar Hazır Işığı (Yeşil)
- O. Güç Açma / Kapama Düğmesi
- P. Temiz Su Deposu
- Q. Temiz Su Haznesi Çıkarma Düğmesi
- R. Konik Araç
- S. Hortum
- T. Eğimli Ağızlık
- U. Yuvarlak Fırça
- V. Küçük Metal Fırça
- W. Pencere Sileceği
- X. Küçük Bez
- Y. Kumaş Altlık
- Z. Halı Kanatçığı
- AA. Halı Kızağı Çıkarma Pedalı
- AB. Cıvata

SÜPÜRGENİZİ KURMA

Tüm parçaları ambalajından çıkartın.

1. Ergonomik sapı temizleyici ana gövdesi ile hizalayın ve verilen cıvata ile yerine sabitleyin. **[1,2]**
2. Temizleyici ana gövdesini Üçgen Fırçaya monte edin. **[3]**
3. Temizleyicinin ana gövdesini zemin Başlığına takın ve Üçgen Fırçayı Zemin Başlığına takın*. **[4]**

SÜPÜRGENİZİN KULLANIMI

TEMİZLİĞE BAŞLAMADAN ÖNCE

1. Temiz su deposunu çıkarma düğmesini yukarı doğru kaydırarak serbest bırakın ve temizleyicinin ana gövdesinden çıkartın. **[5]**
2. Açmak için, Su Haznesinin kapağını çekin. **[6]**
3. Temiz su deposunu soğuk musluk suyuyla doldurun. Kapağı **[7]** geri takın ve su haznesini yerine sabitleyin. Su deposunu temizlemek için herhangi bir kimyasal,deterjan veya parfüm eklemeyin.

NOT: Mineral birikimini kayda değer şekilde azaltmak ve buhar silme bezinizin ömrünü uzatmak için üniteye saf veya demineralize edilmiş su kullanılması şiddetle önerilmektedir.

4. Zemin Başlığının tabanına bir Kumaş Altlık takın. **[8]**

ÖNEMLİ: Su eklerken veya Kumaş Altlığı değiştirirken temizleyicinin fişini daima çekin.

NOT: Herhangi bir kumaş tiftiğini ortadan kaldırmak için kumaş tamponunu kullanımdan önce yıkayın.

SERT ZEMİNLERİN BUHARLI TEMİZLİĞİ

NOT: Herhangi bir kiri veya birikintiyi ortadan kaldırmak için daima tabanı kullanımdan önce daima süpürün veya vakumla temizleyin.

ÖNEMLİ: Temizleyiciyi Zemin Başlığına Kumaş Altlık takılı değilken kullanmayın.

NOT: Sert zeminleri temizlerken Halı Kızağını kullanmayın.

1. Buharlı temizleyiciyi elektrik prizine takın. Güç açma/kapama düğmesine basın, güç açık ışığı (kırmızı) yanacaktır.
2. Birkaç saniye sonra, yeşil Buhar Hazır ışığı yanarak temizleyicinin kullanıma hazır olduğunu belirtecektir.
3. Zemin başlığına bir ayak koyup ana gövdeyi zemine doğru indirerek temizleyiciyi arkaya yaslayın. **[11]**
4. Buhar üretmek için Buhar Tetiği Düğmesine basın. **[12]**
5. Yüksek gidiş geliş olan bölgelere özellikle dikkat ederek temizleyiciyi geriye ve ileriye doğru yavaşça hareket ettirin. **[13]**
6. Özel temizleme ihtiyacınıza uygun olarak Düşük, Orta veya Yüksek hacimde buhar seçimi için değişken buhar verme kontrolü kullanılır. **[14]**

Sert zemini buharla temizleme - yoğun temizlik

Yoğun temizlik isteyen sert tabanlar için üçgen şeklindeki yüzey fırçasını kullanın. Paspas tarzı bir silme bezi sunulmadığını ve alanın bağımsız olarak kurutulması gerektiğini unutmayın.

NOT: Herhangi bir kiri veya birikintiyi ortadan kaldırmak için daima tabanı kullanımdan önce daima süpürün veya vakumla temizleyin.

1. Zemin başlığının arkasında bulunan serbest bırakma pedalına basarak üçgen zemin fırçasını zemin başlığından çıkarın. **[15]**

2. Buharlı temizleyiciyi elektrik prizine takın. Güç açık ışığı (kırmızı) yanacaktır. Birkaç saniye sonra, yeşil Buhar Hazır ışığı yanarak temizleyicinin kullanıma hazır olduğunu belirtecektir.
3. Zemin fırçasına bir ayak koyup ana gövdeyi zemine doğru indirerek temizleyiciyi arkaya yaslayın. [16]
4. Buhar üretmek için buhar çıkarma düğmesine basın. [12]
5. Özel temizleme ihtiyacınıza uygun olarak Düşük, Orta veya Yüksek hacimde buhar seçimi için değişken buhar verme kontrolü kullanılır. [14]
6. Yüksek gidiş geliş olan bölgelere özellikle dikkat ederek temizleyiciyi geriye ve ileriye doğru yavaşça hareket ettirin. [17]

ELDE BUHARLI TEMİZLEYİCİ İÇİN KULLANIM YÖNTEMLERİ

1. Temizleyiciyi elektrik prizinden çıkarın ve ünitenin soğumasını sağlayın.
2. El ünitesini çıkarmak için ana gövdedeki serbest bırakma düğmesine basın. [19]
3. Açmak için, Su Haznesinin kapağını çekin. [6]
4. Temiz su deposunu soğuk musluk suyuyla doldurun. Kapağı [7] geri takın ve su haznesini yerine sabitleyin. Su deposunu temizlemek için herhangi bir kimyasal, deterjan veya parfüm eklemeyin.
5. Buharlı temizleyiciyi elektrik prizine takın. Güç açma/kapama düğmesine basın, güç açık ışığı (kırmızı) yanacaktır. [18]
6. Birkaç saniye sonra, yeşil Buhar Hazır ışığı yanarak temizleyicinin kullanıma hazır olduğunu belirtecektir.
7. Buhar üretmek için Buhar Tetiği Düğmesine basın (Elde). [20]
8. Özel temizleme ihtiyacınıza uygun olarak Düşük, Orta veya Yüksek hacimde buhar seçimi için değişken buhar verme kontrolü kullanılır. [14]

NOT: Mineral birikimini kayda değer şekilde azaltmak ve buhar silme bezinizin ömrünü uzatmak için üniteye saf veya demineralize edilmiş su kullanılması şiddetle önerilmektedir.

ÖNEMLİ: Zemin Başlığını çıkarırken veya kolu çıkarırken daima temizleyicinin fişini çekin. Zemin Başlığını çıkarmadan önce daima temizleyicinin tamamen soğuduğundan emin olun.

AKSESUARLAR

NOT: Aksesuarlar yalnızca buharlı temizleyici el ünitesine takılabilir.

ÖNEMLİ: Her kullanım öncesinde, buhar ağzındaki contaı kontrol edin, conta yerinde yoksa veya hasarlıysa cihazı kullanmayın; lütfen yetkili Hoover servisi ile irtibata geçin.

Hortumu ve ağızları buharlı temizleyici el ünitesine takma

1. Hortum yerine kilitleyip sabitleninceye kadar el ünitesinin Hortum - buhar ağzını takın ve saat yönünde çevirin.
2. Konik aleti hortumdaki başlığa takın. Takın ve Konik Alet yerine kilitleyip sabitleninceye

kadar saat yönünde döndürün.

3. Diğer küçük aksesuarları Konik Alete takın, yerine kilitlemeye ya da sabitlenene kadar saat yönünde çevirin.

Pencere sileceği ve yardımcı başlık [21]

Pencere sileceği el ünitesinin Buhar ağzına takılır ve pencereler, aynalar ve diğer pürüzsüz cam yüzeylerin temizlenmesi için kullanılır. Küçük Bezi Pencere Sileceğinin üzerine sabitleyin. Buhar uyguladığınız kumaş için uygun buhar yoğunluğunu seçin.

Konik Araç Banyolar ve mutfaklar gibi çok kirli alanları temizlemek için kullanın.

Yuvarlak Fırça İnatçı yağ ve kirleri gidermede kullanın.

Küçük Metal Fırça Ocak ızgaralarında ve raflarda kullanın.

Büyük Metal Fırça Ocak ızgaralarında ve raflarda kullanın.

ÖNEMLİ: El ünitesini kullanmadan önce hortum ve aksesuarların yerine sıkıca sabitlendiğinden emin olun, bağlantı kısmından buhar kaçağı olması, hortum ve aksesuarların doğru şekilde yerine takılmadığı anlamına gelir. Ünitenin soğumasını bekleyin ve hortum ile aksesuarları çıkararak yeniden yerine takın.

SÜPÜRGENİZİN BAKIMI

ÖNEMLİ: BAKIM İŞLEMLERİNİ YAPMADAN ÖNCE DAİMA TEMİZLEYİCİNİN TAMAMEN SOĞUDUĞUNDAN EMİN OLUN.

Kirli su haznesini boşaltın

1. Temizleyiciyi elektrik prizinden çıkarın ve ünitenin soğumasını sağlayın.
2. Temiz su deposunu çıkarma düğmesini yukarı doğru kaydırarak serbest bırakın ve temizleyicinin ana gövdesinden çıkartın. [5]
3. Açmak için, Su Haznesinin kapağını çekin. [6]
4. Fazla suyu depodan boşaltın. Başlığı yeniden yerleştirip temizleyiciye geri döndürün.

Kumaş Altlığın çıkarılması ve temizlenmesi

1. Temizleyiciyi elektrik prizinden çıkarın ve ünitenin soğumasını sağlayın.
2. Gerekirse Halı Kızağını çıkarın, ardından Kumaş Altlığını Zemin Tabanından sıyırın.
3. Kumaş altlığı çamaşır makinesinde yumuşak deterjanla maks. 40°C sıcaklıkta yıkayın.

ÖNEMLİ: Kumaş Altlığı yıkarken beyazlatıcı veya kumaş yumuşatıcısı kullanmayın.

SORUN GİDERME

Ürün ile ilgili bir problem olduğunda, yetkili Hoover servisini aramadan önce bu basit kullanıcı kontrol listesini tamamlayın.

Buharlı elektrikli süpürge açılmıyor.

- Ünitenin fişe takılı olduğunu kontrol edin.
- Güç kablosunu kontrol edin.

Buharlı temizleyici buhar çıkarmıyor.

- Temiz su deposunda su kalmamış olabilir.
- Açıldığında yeterince beklememiş olabilirsiniz.

Kumaş altlığı kiri çıkarmıyor.

- Temizleme altlığı kire doymuş olabilir ve yıkanması gerekir.
- Bakım bölümüne bakın.

TEMİZLİK HAKKINDA SIKÇA SORULAN SORULAR

Steam capsule 2in1 ne zaman hazır olur? Yaklaşık 30 saniye içerisinde.

Steam capsule 2in1'i tüm zeminlerde kullanabilir miyim? Mermer, seramik, taş, muşamba, kapalı ahşap tabanlarda ve parkelerde kullanılabilir.

Steam capsule 2in1 buharı otomatik olarak mı dışarı veriyor? Hayır, buhar üretmek için kol altındaki Buhar Tetikleme Düğmesine basmanız gerekmektedir.

Deponun içerisine deterjan veya başka kimyasallar koyabilir miyim? Hayır, ürüne zarar verirsiniz.

Eğer yaşadığım şehirde su çok sert ise, ne yapmam gerekir? Filtrelenmiş su veya distile ya da demineralize su kullanmanız şiddetle önerilir.

Tekrar doldurmaya gerek kalmadan önce, depodaki su ne kadar süre boyunca dayanacaktır? Sürekli olarak tetikleyiciye basarsanız 25 dakikaya kadar.

Bez yıkanabilir mi? Evet, elle veya çamaşır makinasında yumuşak birdeterjanla azami 40°C'de yıkanabilir. Beyazlatıcı veya kumaş yumuşatıcısı kullanmayın.

Bezi hangi aralıklarla değiştirmem gerekir? Yukarıda sayılan bütün etmenlere ve tabanın ne kadar sert olduğuna bağlıdır. Bir bezin değiştirme vaktini en iyi şekilde anlamak için, bezin yıkandıktan sonra ne kadar kuru kaldığına bakmak veya daha önceki gibi iyi temizleyip temizlemediğini kontrol etmek yeterlidir.

ÖNEMLİ BİLGİLER

Hoover yedek parça ve sarf malzemeleri

Parçaları daima orijinal Hoover parçaları ile değiştirin. Bu parçaları Hoover servislerinden tedarik edebilirsiniz. Parça siparişi verirken mutlaka cihazın model numarasını belirtin.

Saf Malzemeleri

Mikrofiber Altlıklar (X2) AC36 35601693

Kalite

Hoover fabrikaları kalitesinden ötürü bağımsız takdir almıştır. Ürünlerimiz, ISO 9001 gereksinimlerini içeren bir kalite sistemi kullanılarak üretilmektedir.

Garanti

Bucihazıçingarantikoşulları,cihazınsatıldığıülkedekitemsilcimiztarafındantanımlanmaktadır. Bu koşullara ilişkin ayrıntılar cihazın satın alındığı bayiden edinilebilmektedir. Bu Garanti koşulları altında yapılan talepte satış fişi ve makbuzu ibraz edilmiş olmalıdır. Haber verilmeksizin değişiklikler yapılabilmektedir.

قم بإزالة قفاز المنظف وأوقفه قبل تعبئة وعاء المياه. لا تقوم بتعبئة المياه بما يتجاوز علامة الحد الأقصى (MAX). يجب عدم فتح فتحة تعبئة المياه أثناء الاستخدام.



خطر التعرض لحرق سمطي



يمكن أن تصبح الأسطح ساخنة للغاية أثناء الاستخدام. تجنب ملامسة البخار.

لا تقف على الكابل ولا تثنيه حول الأذرع أو الأرجل أثناء استخدام الجهاز.

لا تضع الجهاز في مكان أعلى منك أثناء تنظيف السلالم.

عند استخدام أدوات التنظيف، احرص على تثبيت الجهاز بيدك الأخرى على الدوام. وسوف يضمن هذا عدم سقوط الجهاز أثناء الاستخدام.

لا تتعامل مع الجهاز ولا توصله بالكهرباء بيدك المبللة.

لا تتابع استخدام الجهاز إن ظهر تعطله.

صيانة هوفر: لضمان تشغيل الجهاز المستمر بصورة آمنة وفعالة، نوصي باقتصار أعمال الصيانة والتصليح على مهندسي الصيانة المعتمدين من هوفر.

لا تغمر الجهاز في الماء أو غيره من السوائل.

لا تستخدم المنظفات أو أي سوائل باستثناء المياه داخل الجهاز.

للمملكة المتحدة وأيرلندا فقط: يحتوي على الجهاز على قابس 13 أمبير. إن كنت تحتاج إلى تغيير الفيوز في القابس الرئيسي، فاستخدم فيوز 13 أمبير ASTA.

البيئة



يشير الرمز الموجود على هذا الجهاز إلى عدم جواز معاملة الجهاز باعتباره نفايات منزلية. وبدلاً من هذا، يجب تسليمه إلى نقاط التجميع المعتمدة لإعادة تدوير المعدات الكهربائية والإلكترونية. يجب أن يتم التخلص من الجهاز حسب اللوائح البيئية المحلية للتخلص من النفايات. لمزيد من المعلومات التفصيلية حول التعامل مع الجهاز واستعادة مكوناته وإعادة تدويره، يرجى التواصل مع مكتب المدينة القريب منك أو خدمة التخلص من النفايات المنزلية أو المتجر الذي اشتريته الجهاز منه.



يتوافق هذا الجهاز مع التوجيهات الأوروبية 2014/35/EU و 2014/30/EU و 2011/65/EU.

CANDY HOOVER GROUP Srl Via Privata Eden Fumagalli, 20861 Brugherio (MB) Italy

تعليمات الاستخدام الآمن

هذا الجهاز غير مخصص إلا للاستخدام في التنظيف المنزلي، حسب الموصوف في دليل المستخدم. نرجو فهم هذا الدليل فهماً كاملاً قبل تشغيل الجهاز.

لا تترك كابل الجهاز موصولاً. واحرص دائماً على إيقاف تشغيل الجهاز وإزالة الكابل من منفذ الكهرباء بعد الاستخدام، أو بعد التنظيف أو قبل أي مهام صيانة.

يستطيع ذرو القدرات الجسدية أو الحسية أو العقلية الضعيفة استخدام هذا الجهاز وكذلك من لا يتمتعون بالخبرة أو المعرفة إن تم توجيههم وخضعوا للإشراف بشأن استخدام الجهاز بطريقة آمنة وأدركوا المخاطر المتعلقة به. يجب ألا يلعب الأطفال بالجهاز.

احفظ الجهاز بعيداً عن متناول الأطفال إن كان موصولاً بالكهرباء أو في وضع التبريد. يجب ألا يُستخدم الجهاز إن سقط إن كانت هناك علامات منظورة تدل على تلفه أو لوجود تسريب.

إن كان كابل الكهرباء تالفاً فتوقف عن استخدام الجهاز فوراً. لتجنب تعريض السلامة للخطر، يجب أن يقوم مهندس صيانة معتمد من هوفر باستبدال كابل الكهرباء.

يجب تأريض هذا الجهاز.

يجب عدم ترك الجهاز بلا مراقبة أثناء توصيله بمنافذ الكهرباء.

لا تستخدم الجهاز خارج المنزل.

لا تستخدم ملحقات أو مواد استهلاكية أو قطع غيار إلا الموصى بها أو الموردة من شركة هوفر.

لا تستخدم الجهاز لتنظيف الحيوانات أو الأشخاص أو النباتات ولا توجه البخار نحوهم.

يجب عدم توجيه السائل أو البخار مباشرة إلى المعدات التي تحتوي على مكونات كهربائية مثل الأجزاء الداخلية من الأفران.

تجميع المنظف

أخرج جميع المكونات من العلبة.

- 1 . قم بموازاة المقبض المريح مع البدن الرئيسي للمنظف ثم ثبته في موضعه بالمسمار المرفق. [1 و 2]
- 2 . جَمِّع البدن الرئيسي للمنظف مع الفرشاة الثلاثية*. [3]
- 3 . جَمِّع البدن الرئيسي للمنظف مع رأس الأرضية أو جمع الفرشاة الثلاثية مع رأس الأرضي*. [4]

* طرازات معينة

استخدام المنظف

قبل بدء التنظيف

- 1 . حرر خزان المياه وذلك بدفع زر تحرير خزان المياه للأمام وإزالة الخزان من الجسم الرئيسي للمنظف. [5]
- 2 . اسحب غطاء خزان الماء لفتح. [6]
- 3 . املاً خزان ماء التنظيف من صنوبر الماء البارد. أعد الغطاء لموضعه [7] وأعد خزان الماء لموضعه. لا تقوم بإضافة أي مواد كيميائية أو منظفات أو روائح لخزان مياه التنظيف.
- ملحوظة:** لتجنب تراكم المعادن بشكل كبير ولإطالة عمر ممسحة البخار، يوصى بشدة استخدام مياه مقطرة أو منزوعة المعادن في الوحدة.
- 4 . ضع الحشية النسيجية لقاعدة رأس الأرضية.

هام: أزل كابيل الكهرياء من المقبس قبل إضافة الماء أو تغيير الحشية النسيجية.

ملحوظة: اغسل الحشية النسيجية قبل الاستخدام لإزالة أي وبر بها.

تنظيف الأسطح الصلبة بالبخار

ملحوظة: أكنس السطح أو نظفه بالمكنسة الكهربائية قبل الاستخدام لإزالة أي أوساخ أو كتل سائبة.

تعرف على المنظف

- A . مشغل إطلاق البخار
- B . مجموعة المقبض
- C . مشابك تخزين الكابل العلوية والسفلية
- D . كابل الكهرياء
- E . زر إطلاق الجزء المحمول يدوياً
- F . مشغل إطلاق بخار الجزء المحمول يدوياً
- G . بدن المنظف الرئيسي
- H . دواسة إطلاق الفرشاة الثلاثية
- I . الفرشاة الثلاثية
- I2. رأس تنظيف الأرضية
- J . موضع تثبيت المقبض
- K . منزلق التحكم في إطلاق البخار المتغير منخفض ووسط ومرتفع
- L . مؤشر التشغيل (أحمر)
- M . مؤشر جاهزية البخار (أخضر)
- N . زر التشغيل/إيقاف التشغيل
- O . خزان ماء التنظيف
- P . زر إطلاق خزان ماء التنظيف
- Q . الأداة المخروطية
- R . الخرطوم
- S . الفوهة المنحنية
- T . الفرشاة الدائرية
- U . الفرشاة المعدنية الصغيرة
- V . الفرشاة المعدنية الكبيرة
- W . الممسحة المطاطية للنوافذ
- X . القماش الصغيرة
- Y . الحشية النسيجية
- Z . الحلقة المستطيلة للسجاد
- AA . دواسة إطلاق الحلقة المستطيلة للسجاد
- BB . المسمار

هام: لا تستخدم المنظف لتنظيف الأسطح الصلبة دون تركيب الحشبة النسيجية.

ملحوظة: لا تستخدم حلقة السجاد عند تنظيف الأسطح الصلبة.

1. صبل كابل منظف البخار بالكهرباء. اضغط على زر التشغيل/إيقاف التشغيل، سوف يضيء مؤشر الطاقة (أحمر).
2. بعد بضعة ثوان سوف يضيء مؤشر جاهزية البخار (أخضر) مما يشير على أن المنظف جاهز للاستخدام.
3. قم بخفض المنظف بوضع قدم على رأس تنظيف الأرضية وخفض البدن الرئيسي نحو الأرضية. [11]
4. اضغط على زر إطلاق البخار لتوليد البخار. [12]
5. حرك المنظف ببطء للأمام والخلف مع تولية عناية خاصة للمناطق التي ترتفع بها حركة المرور. [13]
6. يُستخدم المتحكم في إطلاق البخار المتغير لتحديد كثافة البخار لتكون إما منخفضة أو متوسطة أو مرتفعة، اعتمادًا على الاحتياجات الخاصة للتنظيف. [14]

تنظيف الأسطح الصلبة بالبخار – التنظيف المكثف

استخدم الفرشاة الأرضية الثلاثية* للأرضيات الصلبة التي تتطلب تنظيفًا عميقًا. يرجى ملاحظة عدم وجود ممسحة ويجب تجفيف المنطق بشكل منفصل.

ملحوظة: اكنس الأرضية أو نظفها بالمكنسة الكهربائية دائمًا قبل الاستخدام لإزالة أي أوساخ أو كتل سائبة.

1. أزل فرشاة الأرضية الثلاثية من رأس الأرضية بالضغط على دواسة التحرير الموجودة في الجانب الخلفي من رأس الأرضية. [15]
2. صبل منظف البخار بالكهرباء. سوف يضيء مؤشر الطاقة (أحمر). بعد بضعة ثوان سوف يضيء مصباح جاهزية البخار الأخضر بما يشير إلى جاهزية المنظف للاستخدام.
3. قم بإمالة المنظف بوضع قدم على فرشاة تنظيف الأرضية وخفض البدن الرئيسي نحو الأرضية. [16].
4. اضغط على زر إطلاق البخار لتوليد البخار. [12]
5. يُستخدم التحكم في طلاق البخار المتغير في كثافة البخار فيما أن تكون منخفضة أو متوسطة أو منخفضة، اعتمادًا على احتياجات التنظيف. [14]
6. حرك المنظف للأمام والخلف مع تولية عناية خاصة بالمناطق التي ترتفع حركة المرور بها. [17].

1. أفضل المنظف من الكهرباء وتأكد من أن الوحدة باردة.
2. اضغط زر الإطلاق الموجود على البدن الرئيسي وأخرج الوحدة المحمولة. [19]
3. اسحب الغطاء من خزان المياه لفتحه. [6].
4. املاً خزان ماء التنظيف. أعد الغطاء إلى موضعه [7] وأعد خزان الماء إلى موضعه. لا تقم بإضافة أي مواد كيميائية أو منظفات أو روائح إلى خزان ماء التنظيف.
5. صبل منظف البخار بالكهرباء. اضغط على زر التشغيل/إيقاف التشغيل، سوف يضيء مؤشر الطاقة (أحمر). [18]
6. بعض بضع ثوان، سوف يضيء ضوء جاهزية البخار (أخضر) مما يشير إلى جاهزية المنظف للاستخدام.
7. لتوليد البخار، اضغط زر إطلاق البخار في الوحدة المحمولة باليد. [20]
8. يُستخدم المتحكم في إطلاق البخار المتغير في تحديد كثافة البخار لتكون إما منخفضة أو متوسطة أو مرتفعة، اعتمادًا على متطلبات التنظيف. [14].

ملحوظة: لتجنب الحد من تراكم المعادن بشكل كبير ولإطالة عمر ممسحة البخار، يوصى بشدة استخدام مياه مقطرة أو منزوعة المعادن في الوحدة.

هام: احرص دائمًا على إزالة كابلات الكهرباء قبل إزالة رأس تنظيف الأرضية أو المقبض. احرص دائمًا على أن يكون المنظف بارد تمامًا قبل إزالة رأس تنظيف الأرضية.

الملحقات

ملحوظة: لا يمكن تركيب الملحقات إلا على منظف البخار المحمول باليد.

هام: افحص السدادة الموجودة على فوهة البخار قبل الاستخدام، إن كانت السدادة غير موجودة أو تالفة فلا تستخدم الجهاز، ونرجو منك التواصل مع خدمة الصيانة المعتمدة من هوفر.

تركيب الخرطوم والفوهات إلى منظف البخار المحمول باليد

1. قم بتركيب الخرطوم إلى فوهة البخار الخاصة بالوحدة المحمولة باليد ثم أدركه باتجاه عقارب الساعة حتى يتم قفل الخرطوم وتثبيتته في موقعه.

هام: لا تستخدم المنظف لتنظيف الأسطح الصلبة دون تركيب الحشبة النسيجية.

ملحوظة: لا تستخدم حلقة السجاد عند تنظيف الأسطح الصلبة.

- 1 . صبل كابل منظف البخار بالكهرباء. اضغط على زر التشغيل/إيقاف التشغيل، سوف يضيء مؤشر الطاقة (أحمر).
- 2 . بعد بضعة ثوان سوف يضيء مؤشر جاهزية البخار (أخضر) مما يشير على أن المنظف جاهز للاستخدام.
- 3 . قم بخفض المنظف بوضع قدم على رأس تنظيف الأرضية وخفض البدن الرئيسي نحو الأرضية. [11]
- 4 . الضغط على زر إطلاق البخار لتوليد البخار. [12]
- 5 . حرك المنظف ببطء للأمام والخلف مع تولية عناية خاصة للمناطق التي ترتفع بها حركة المرور. [13]
- 6 . يُستخدم المتحكم في إطلاق البخار المتغير لتحديد كثافة البخار لتكون إما منخفضة أو متوسطة أو مرتفعة، اعتمادًا على الاحتياجات الخاصة للتنظيف. [14]

تنظيف الأسطح الصلبة بالبخار – التنظيف المكثف

استخدم الفرشاة الأرضية الثلاثية* للأرضيات الصلبة التي تتطلب تنظيفًا عميقًا. يرجى ملاحظة عدم وجود ممسحة ويجب تجفيف المنطق بشكل منفصل.

ملحوظة: اكنس الأرضية أو نظفها بالمكنسة الكهربائية دائمًا قبل الاستخدام لإزالة أي أوساخ أو كتل سائبة.

- 1 . أزل فرشاة الأرضية الثلاثية من رأس الأرضية بالضغط على دواسة التحرير الموجودة في الجانب الخلفي من رأس الأرضية. [15]
- 2 . صبل منظف البخار بالكهرباء. سوف يضيء مؤشر الطاقة (أحمر). بعد بضعة ثوان سوف يضيء مصباح جاهزية البخار الأخضر بما يشير إلى جاهزية المنظف للاستخدام.
- 3 . قم بإمالة المنظف بوضع قدم على فرشاة تنظيف الأرضية وخفض البدن الرئيسي نحو الأرضية. [16].
- 4 . اضغط على زر إطلاق البخار لتوليد البخار. [12]
- 5 . يُستخدم التحكم في طلاق البخار المتغير في كثافة البخار فيما أن تكون منخفضة أو متوسطة أو منخفضة، اعتمادًا إلى احتياجات التنظيف. [14]
- 6 . حرك المنظف للأمام والخلف مع تولية عناية خاصة بالمناطق التي ترتفع حركة المرور بها. [17].

- 1 . افضل المنظف من الكهرباء وتأكد من أن الوحدة باردة.
- 2 . اضغط زر الإطلاق الموجود على البدن الرئيسي وأخرج الوحدة المحمولة. [19]
- 3 . اسحب الغطاء من خزان المياه لفتحته. [6].
- 4 . املاً خزان ماء التنظيف. أعد الغطاء إلى موضعه [7] وأعد خزان الماء إلى موضعه. لا تقم بإضافة أي مواد كيميائية أو منظفات أو روائح إلى خزان ماء التنظيف.
- 5 . صبل منظف البخار بالكهرباء. اضغط على زر التشغيل/إيقاف التشغيل، سوف يضيء مؤشر الطاقة (أحمر). [18]
- 6 . بعض بضع ثوان، سوف يضيء ضوء جاهزية البخار (أخضر) مما يشير إلى جاهزية المنظف للاستخدام.
- 7 . لتوليد البخار، اضغط زر إطلاق البخار في الوحدة المحمولة باليد. [20]
- 8 . يُستخدم المتحكم في إطلاق البخار المتغير في تحديد كثافة البخار لتكون إما منخفضة أو متوسطة أو مرتفعة، اعتمادًا على متطلبات التنظيف. [14].

ملحوظة: لتجنب الحد من تراكم المعادن بشكل كبير ولإطالة عمر ممسحة البخار، يوصى بشدة استخدام مياه مقطرة أو منزوعة المعادن في الوحدة.

هام: احرص دائمًا على إزالة كابلات الكهرباء قبل إزالة رأس تنظيف الأرضية أو المقبض. احرص دائمًا على أن يكون المنظف بارد تمامًا قبل إزالة رأس تنظيف الأرضية.

الملحقات

ملحوظة: لا يمكن تركيب الملحقات إلا على منظف البخار المحمول باليد.

هام: افحص السدادة الموجودة على فوهة البخار قبل الاستخدام، إن كانت السدادة غير موجودة أو تالفة فلا تستخدم الجهاز، ونرجو منك التواصل مع خدمة الصيانة المعتمدة من هوفر.

تركيب الخرطوم والفوهات إلى منظف البخار المحمول باليد

- 1 . قم بتركيب الخرطوم إلى فوهة البخار الخاصة بالوحدة المحمولة باليد ثم أدركه باتجاه عقارب الساعة حتى يتم قفل الخرطوم وتثبيتته في موقعه.

هل يمكنني وضع منظفات أو غيرها من المواد الكيماوية داخل الخزان؟ لا، ربما يتسبب ذلك في تلف المنتج.

ماذا أن كان الماء في مدينتي عسر للغاية؟ يمكنك استخدام مياه مرشحة أو مقطرة أو مياه غير معدنية ونوصي بها بشدة.

ما المدى التي يستغرقها خزان المياه قبل الحاجة لإعادة تعبئته؟ حتى 25 دقيقة إن ضغط باستمرار على زر الإطلاق.

هل الممسحة قابلة للغسل؟ نعم، يمكنك غسلها باليد أو في الغسالة بمنظف معتدل وبدرجة حرارة لا تتجاوز 40 درجة مئوية ولا تستخدم مبيضاً أو منعم قماش.

كم مرة احتاج تغيير الممسحة؟ يعتمد هذا على عدة عوامل يأتي في مقدمتها مدى صلابة الأسطح ذاتها. أفضل طريقة لفهم متى يجب عليك تغيير الممسحة هي عندما تظل الممسحة متسخة بعد غسلها أو عندما تلاحظ أنها لا تؤدي نفس أدائها من قبل.

معلومات هامة

قطع الغيار والمواد الاستهلاكية من هوفر

احرص دائماً على استبدال القطع بقطع غيار أصلية. وتتوفر تلك القطع عند موزع هوفر المحلي أو يمكنك طلبها مباشرة من هوفر. اذكر رقم الطراز عند طلب قطع الغيار.

الجودة

تخضع مصانع هوفر للتقييم مستقل عن الجودة. ونصنع منتجاتنا باستخدام نظام جودة يلبي متطلبات شهادة أيزو 9001.

الضمان

شروط ضمان هذا المنتج يحددها ممثلنا في بلد البيع. يمكن الحصول على تفاصيل حول هذه الشروط من البائع الذي اشتريته الجهاز منه. يجب تقديم فاتورة أو وصل البيع عند عمل أي مطالبات بموجب هذا المضان. هذه الوثيقة قابلة للتغيير دون إشعار مسبق.