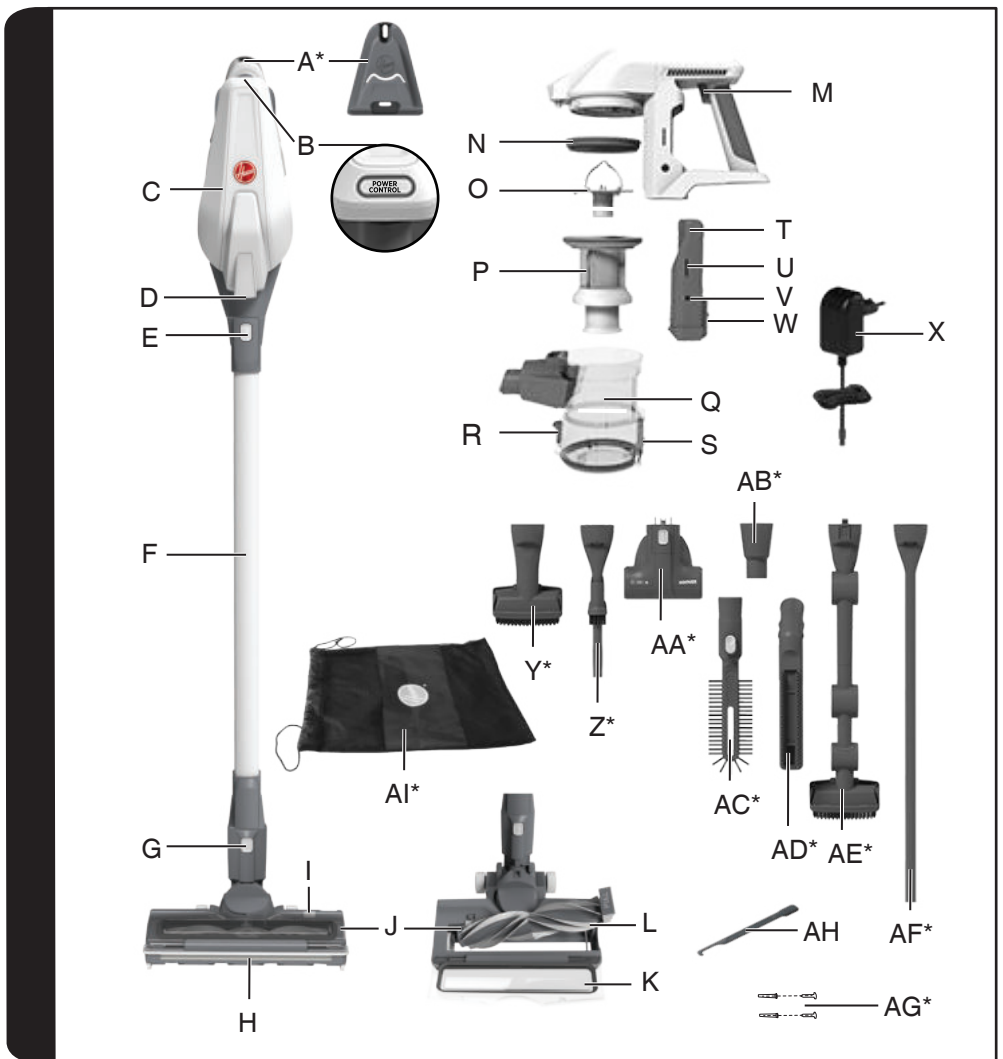


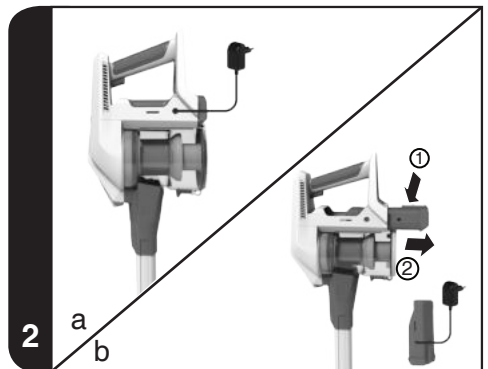
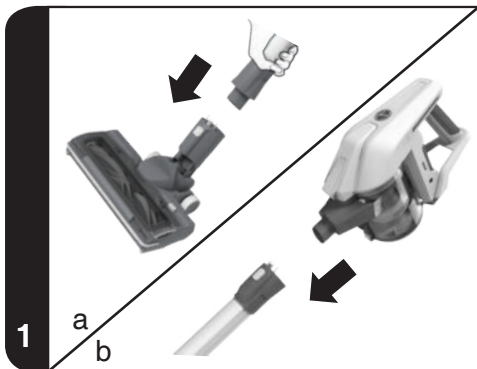


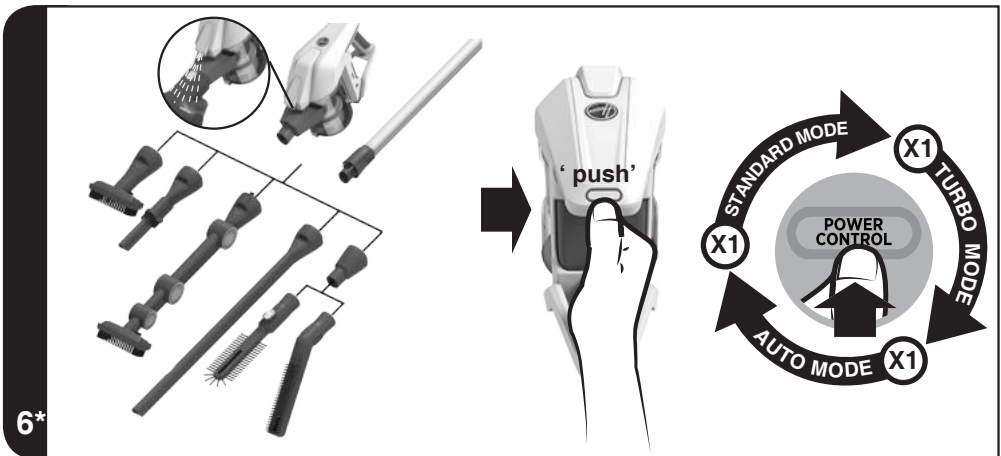
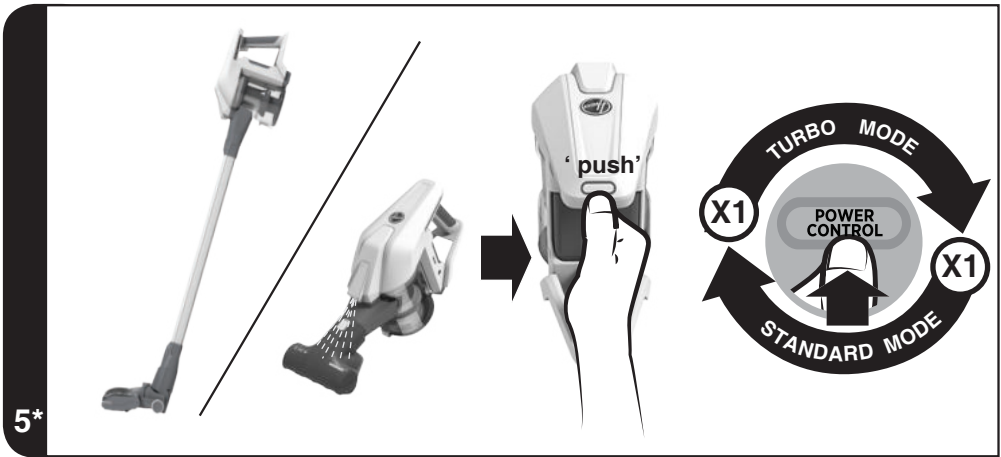
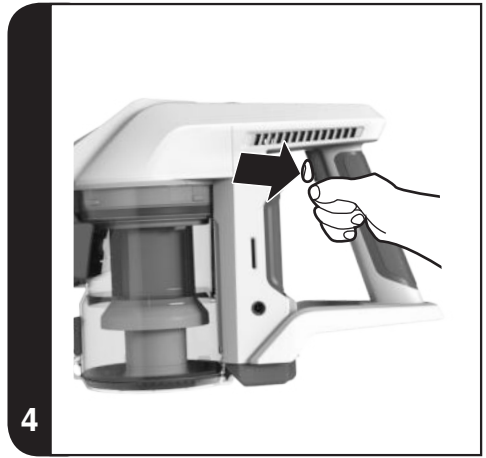
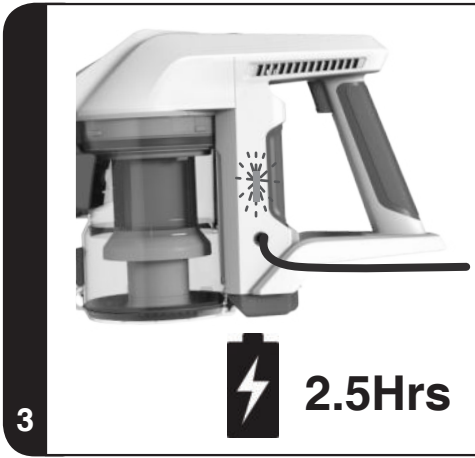
USER MANUAL (GB)	P 01
MANUEL D'UTILISATION (FR)	P 07
BEDIENUNGSANLEITUNG (DE).....	P 13
MANUALE D'ISTRUZIONI (IT).....	P 19
MANUAL DE INSTRUÇÕES(PT).....	P 25
MANUAL DE INSTRUCCIONES(ES).....	P 31
GEbruikersHANDLEIDING(NL).....	P 37
BRUGERVEJLEDNING(DK).....	P 43
BRUKSANVISNING(NO).....	P 49
KÄYTTÖOHJE(FI).....	P 55
INSTRUKTIONSMANUAL(SE).....	P 61
ΟΔΗΓΙΕΣ ΧΡΗΣΕΩΣ(GR).....	P 67
РУКОВОДСТВО ПОЛЬЗОВАТЕЛЯ(RU)...	P 73
INSTRUKCJA OBSŁUGI(PL).....	P 79
NÁVOD K OBSLUZE(CZ).....	P 85
NAVODILA ZA UPORABO(SI).....	P 92
KULLANIM KILAVUZU(TR).....	P 97

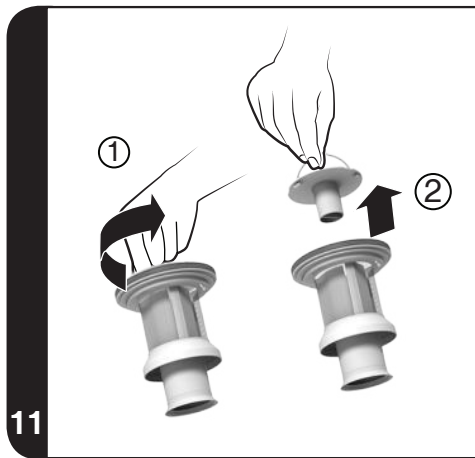
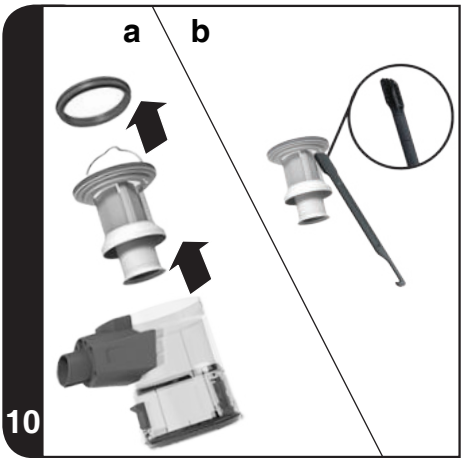
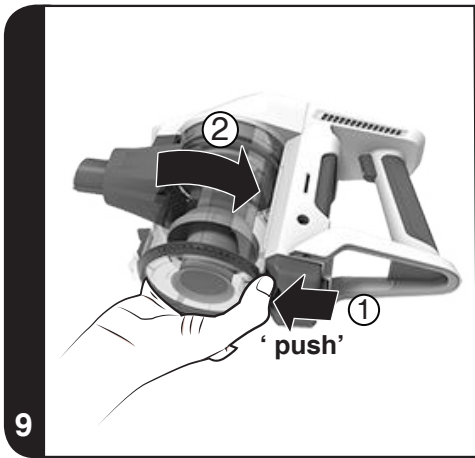
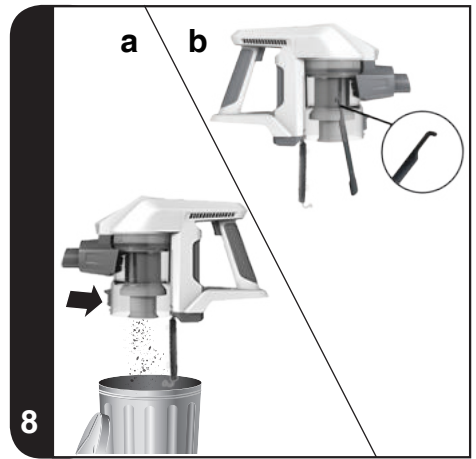


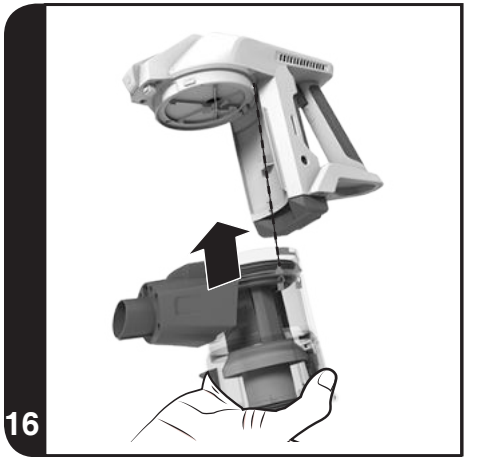
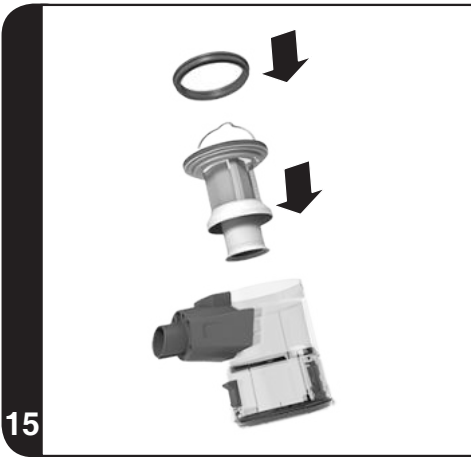
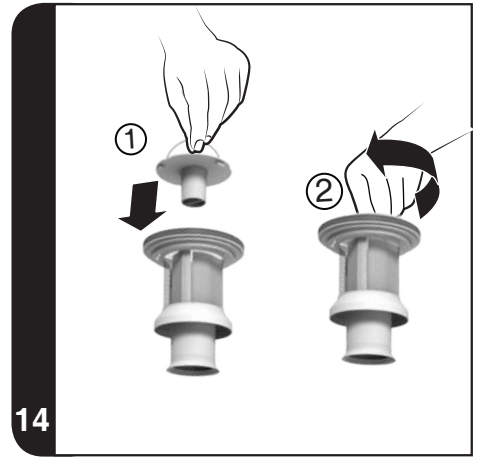
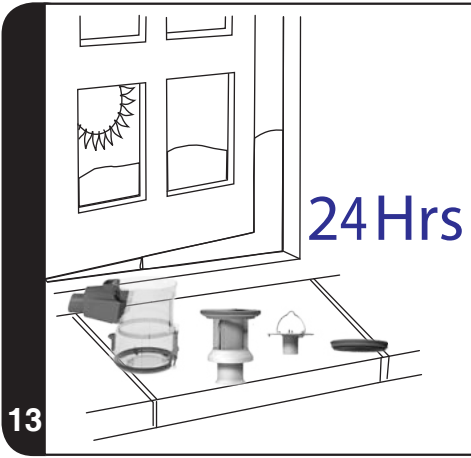


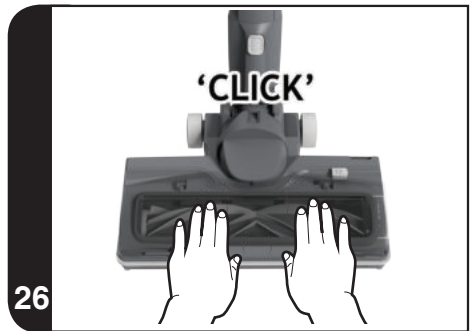
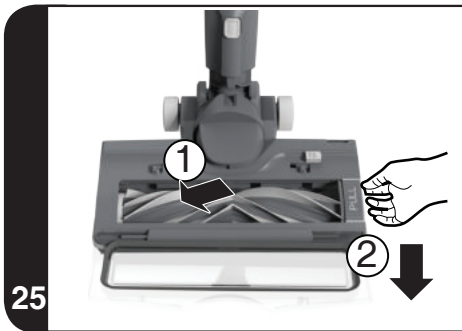
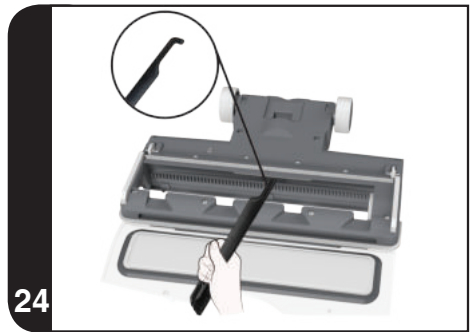
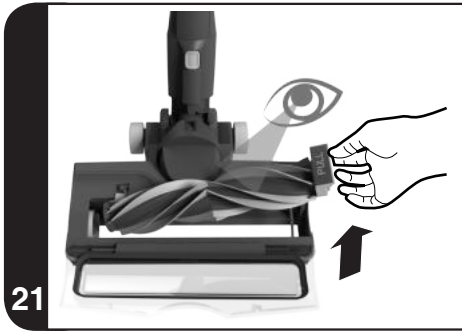
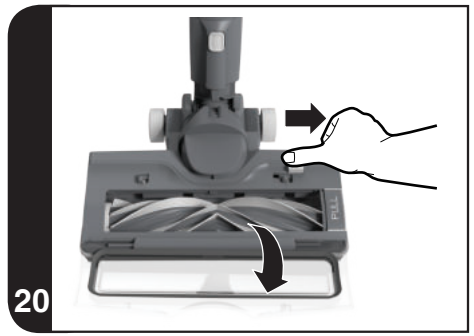
* Certain models only, accessories may vary according to model











INSTRUCTIONS FOR SAFE USE

This appliance should only be used for domestic cleaning, as described in this user guide. Please ensure that this guide is fully understood before operating the appliance.

Always switch off and remove the charger from the socket before cleaning the appliance or any maintenance task.

This appliance can be used by children aged from 8 years and above and persons with reduced physical, sensory or mental capabilities or lack of experience and knowledge if they have been given supervision or instruction concerning use of the appliance in a safe way and understand the hazards involved. Children shall not play with the appliance. Cleaning and user maintenance shall not be made by children without supervision.

If the power cord is damaged stop using the appliance immediately. To avoid a safety hazard, an authorised Hoover service engineer must replace the power cord.

Use only the original charger supplied with the appliance.

Check that your supply voltage is the same as that stated on the charger. This appliance is supplied with a double insulated battery charger which is only suitable for insertion in a 230V (UK 240V) socket outlet.

Plug the charger in to suitable socket outlet and connect the charger jack plug to the appliance.

The battery pack LED light will illuminate Red during charging and will turn white when fully charged.

Re-connect the appliance to the charger after use to recharge the battery.

Never charge the batteries in temperatures above 37°C or below 0°C. It is normal for the charger to become warm to the touch when charging.

Unplug the charger in the event of prolonged absence (holidays, etc.). Recharge appliance again before use as batteries may self discharge over increased periods of storage.

Use only attachments, consumables or spares recommended or supplied by Hoover.

Static electricity: some carpets can cause a small build up of

static electricity. Any static discharge is not hazardous to health. Keep hands, feet, loose clothing and hair away from rotating brushes.

Do not unplug the charger by pulling on the power cord.

Do not use your appliance out of doors or on any wet surface or for wet pick up. Do not pick up hard or sharp objects, matches, hot ashes, cigarette ends or other similar items. Do not spray with or pick up flammable liquids, cleaning fluids, aerosols or their vapours. Do not run over the power cord when using your appliance or remove the plug by pulling on the power cord. Do not continue to use your appliance or charger if it appears faulty. Do not use the appliance to clean animals or people. Do not replace the batteries with non-rechargeable batteries.

Hoover service: To ensure the continued safe and efficient operation of this appliance we recommend that any servicing or repairs are only carried out by an authorised Hoover service engineer.

End of product Life disposal

If the appliance is to be disposed of the batteries must first be removed. The appliance must be disconnected from the supply mains when removing the battery. Dispose of the batteries safely. Run the appliance until it stops because the batteries are fully discharged. Used batteries should be taken to a recycling station and not disposed of with household waste. To remove the batteries, please contact the Hoover Customer Centre or proceed according to the following instructions.

IMPORTANT: Always fully discharge the batteries before removal.

Run the cleaner until the batteries are completely empty. Remove the charger jack plug from the appliance.

Press the battery pack release buttons and slide to remove.

Note: Should you experience any difficulty in dismantling the unit or for more detailed information on treatment, recovery and recycling of this appliance, please contact your local city office or your household waste disposal service.

The Environment:

This appliance is marked according to the European directive 2011/65/EC on Waste Electrical and Electronic Equipment (WEEE). By ensuring this product is disposed of correctly, you will help prevent potential negative consequences for the environment and human health, which could otherwise be caused by inappropriate waste handling of this product. The symbol on the product indicates that this product may not be treated as household waste. Instead it shall be handed over to the applicable collection point for the recycling of electrical and electronic equipment. Disposal must be carried out in accordance with local environmental regulations for waste disposal. For more detailed information about treatment, recovery and recycling of this product, please contact your local city office, your household waste disposal service or the shop where you purchased the product.



This product complies with the European Directives 2014/35/EU, 2014/30/EU and 2011/65/EU.

CANDY HOOVER GROUP S.r.l. Via Privata Eden Fumagalli, 20861 Brugherio (MB) Italy

PRODUCT COMPONENTS

- | | |
|----------------------------------|---|
| A. Wall Mount* | S. Dust Cup Assembly Release Button |
| B. Touch Power Control | T. Battery Pack |
| C. Main Body | U. Battery Pack LED Light |
| D. Auto LED Light | V. Battery Pack Charging Inlet |
| E. Handheld Release Button | W. Battery Pack Release Button |
| F. Tube | X. Charger |
| G. Nozzle Release Button | Y. 2in1 Large dusting and furniture tool* |
| H. Nozzle Front LED stripe | Z. 2in1 Crevice And Dusting Tool* |
| I. Brushbar Release Cover Slider | AA. Mini-Power Nozzle* |
| J. Brushbar Release End Cap | AB. Accessory Adaptor* |
| K. Nozzle Window | AC. Radiator Tool* |
| L. Brushbar | AD. Deep Cleaning Brush* |
| M. Switch ON/OFF | AE. Multi-Function Up To Top Tool* |
| N. Pre-motor Filter | AF. Long Flexible Crevice Tool* |
| O. Single Cyclone Vortex Finder | AG. Wall Mounts Screws* |
| P. Single Cyclone System | AH. Cleaning Tool |
| Q. Dust Cup | AI. Accessories Bag* |
| R. Dust Cup Flap Release Button | |

PREPARING YOUR CLEANER

1. Assemble the tube to the nozzle until you hear it "click" into place. **[1a]**
2. Assemble the main body unit to the tube until you hear it "click" into place. **[1b]**
3. Fully charge the appliance battery by connecting the charger jack plug to the battery pack. **[2a]**
Charging time is approximately 2.5Hrs. It is possible also to charge the battery pack when released from the product. **[2b]**

The battery pack LED light will illuminate Red during charging and will turn White when fully charged. **[3]**

NOTE: To remove the nozzle press the nozzle release button and pull away from the main body.

NOTE: Use only the charger supplied with your cleaner to recharge.

IMPORTANT: When charging the cleaner must be switched off. You can charge the removable battery pack also when released from the product. It is normal for the charger to become warm to touch when charging.

USING YOUR CLEANER

There are three working modes

- **STANDARD MODE:** When you press the switch On/Off, The cleaner is ready to clean thoroughly with the main motorized nozzle or motorized mini turbo nozzle. **[4]**
- **TURBO MODE:** Press the touch power control on the main body to fully power the product for hard cleaning tasks. **[5]**
- **AUTO MODE:** When the main motorized nozzle or Mini-Turbo Nozzle are removed, the product will automatically adapt to the lowest power setting and turn on the Auto Led light. **[6]**

* Certain Models Only

If more power is required for a harder cleaning task, press the turbo touch button on the main body in order to rotate through the available power modes to suit your tasks.

BATTERY USAGE

When the battery is discharging during the cleaning session, the battery pack LED is white. When the Battery capacity is lower than 5%, the White LED light will begin to Blink.

When this happens you should stop cleaning and immediately recharge your battery. [2]

When charging the product, the switch on/off must be OFF.

It's also possible to charge the battery pack when released from the product.

The charging time of the product is 2.5 Hrs. When the battery is fully charged the LED light on the battery will illuminate white.

NOTE: It is normal for the charger to become warm to touch when charging. Use only the charger supplied with your product.

SAFETY PROTECTION SYSTEM

To ensure the reliability of the product is not affected if used under arduous conditions, the product features with 2 integrated safety protection systems.

1. The Safety protection system will action if the brushbar has a blockage or is locked, once actioned the brushbar will stop rotating, the white LED stripe on the front of the nozzle will blink 5 times. [18] If this happens, simply switch off your product and clean the brushbar obstruction. To resume cleaning, press the on/off button and the product will restart in normal mode.
2. The second Safety protection system will action if the nozzle window is not completely closed before use. If the window is open, the nozzle will not switch on. If this happens, simply switch off your product and ensure the nozzle window is correctly closed. To resume cleaning, press the on/off button and the product will restart in normal mode.

ACCESSORIES*

2IN1 CREVICE AND DUSTING TOOL*, 2IN1 LARGE DUSTING AND FURNITURE TOOL*, LONG FLEXIBLE CREVICE TOOL*, MULTI-FUNCTION UP TO TOP TOOL * AND MINI POWER NOZZLE*

The above accessories can be fitted directly into the main body unit or the tube. [6]

NOTE: To remove the nozzle or main body unit from the tube, press the respective release button and pull apart.

RADIATOR TOOL * AND DEEP CLEANING BRUSH*

The accessory adaptor* must be fitted when using these 2 accessories. [6]

NOTE: The mini-power nozzle is ideal for deep cleaning textile surfaces (i.e. sofas) and pet hair removal. Move it steadily. Backwards and forwards. After using, please remove hair / threads collected on the brush with scissors if necessary.

The long flexible crevice tool is ideal for cleaning in hard to reach areas, underneath furniture and in your car.

The radiator tool is ideal for cleaning inside and around cabinets, radiators and couches.

The deep cleaning brush is useful to clean in tight spaces without scratching surfaces, and inside your car.

The multi-function tool is designed to easily clean delicate surfaces without scratching and all area's that are hard to access or reach. The multi-function tool is made up three key parts.

1. Crevice tool this is ideal for accessing tight spaces.
2. Dusting brush is ideal for cleaning surfaces without damaging or scratching.
3. Furniture nozzle is ideal for cleaning surfaces like sofa.

ACCESSORY BAG*

Accessories can be stored in the accessory bag.

CLEANING TOOL

The cleaning tool is useful to clean the single cyclone system, dust cup and nozzle.

WALL MOUNT*

Hang the wall mount to the wall, using the two screws included in the product to hang product. [7]

CLEANER MAINTENANCE

Emptying the Dust Cup

1. Press the handheld release button and remove the tube. [1b]
2. Press the dust cup flap release button to release the dust cup flap and empty the contents. [8a]
3. Close the dust cup flap, you will hear a click when fully locked.

NOTE: It is recommended to empty the dust cup after each use or when dust is up to the max fill lines.

* Certain Models Only

Quick Daily Cleaning of Dust Cup

Just open the dust cup flap and remove the dust with the help of the cleaning tool.

Use the hook end to pull out the dust collected inside the dust cup. **[8b]**

Use the brush end to clean the fine dust stuck around the single cyclone system. **[10b]**

NOTE: It is recommended to clean the dust cup after emptying.

Cleaning the Dust Cup and Filter

1. Press the tube release button and remove the tube. **[1b]**
2. Press the dust cup flap release button to release the dust cup flap and empty the contents. **[8]**
3. Close dust cup flap, you will hear a click when fully locked.
4. Press the battery pack release button and remove the battery pack. **[2b]**
5. Press the dust cup release button placed on the rear side of the dust cup and turn it anticlockwise pulling away from the unit. **[9]**
6. Remove the Pre-Motor filter pulling the support from the dust cup. **[10]**
7. Remove the single cyclone system pulling the metal ring from the dust cup. **[10]**
8. Pull the single cyclone system and rotate the Single cyclone vortex finder in anticlockwise direction and then take it out. **[11]**
9. Wash the filter and single cyclone system in lukewarm water and leave to dry for 24 hours. **[12,13]**
10. Reassemble once completely dry and refit to the product. **[14,15,16,17]**

NOTE: Do not use hot water or detergents when cleaning the pre motor filter. In the unlikely event of the pre motor filter becoming damaged, fit a genuine Hoover replacement.

Do not use the product without pre motor filter fitted before assembling dust cup to the main body.

IMPORTANT: For optimum performance, always keep your filter clean.

Cleaning the Brushbar and the Nozzle

IMPORTANT: Always switch off the cleaner before changing and cleaning the brushbar.

1. Remove the nozzle from the tube. **[19]**
2. Move the slider to the right and the nozzle window will pop open. **[20]**
3. Fully open the nozzle window to remove the brushbar. **[20]**
4. Hold the brushbar release end cap and remove the brushbar. **[21]**
5. If there is remaining dirt in the brushbar, remove it manually or with the help of the cleaning tool. **[22]**
6. If there is dirt inside the nozzle or around the comb, remove it by using the brush of the cleaning tool. **[23]**
7. To ensure nozzle is fully clear of any obstructions, turn the nozzle over and check along the bottom area. If required, clean this area using the Hook of the cleaning tool provided. **[24]**
8. Turn the nozzle to the initial position and re-fit the brushbar. The brushbar can only fit in one direction and press the end slightly to make sure the brushbar is in place. **[25]**
9. Close the window by pressing the middle area of window until you hear it "click" into place. Check the window is completely locked by pressing on both sides. **[26]**

NOTE: Please ensure the nozzle window is completely closed before use. If the window is open, the nozzle will not switch on.

Replacing the Batteries

This cleaner is fitted with a rechargeable lithium ion battery pack which is replaceable.

WARNING: Only use approved replacement parts for your cleaner. Using parts not validated by Hoover are dangerous and will invalidate your guarantee.

WARNING: Do not try to open the battery pack and repair it by yourself.

1. Press the battery pack release button and pull the battery outside. **[2b]**
2. Remove the old battery pack and replace with the new battery pack.
3. Dispose of the batteries safely. Used batteries should be taken to a recycling station and not disposed of with household waste.

TROUBLE SHOOTING

Should you have any problem with your cleaner, follow this simple check list before calling the Hoover Customer Service Centre:

A. Cleaner does not switch on

Check if the cleaner is charged
Check if the battery pack is assembled in place.

B. Cleaner stop working

Check if there is an obstruction in the brushbar, clear it and ensure the battery pack is removed. Once it is done simply press the switch ON/OFF, the product will restart again.
Empty the dust cup and wash the pre-motor filter, Single Cyclone, Vortex Finder and cyclone separator.
Remove nozzle and tube check for any blockages in the duct.

C. Loss of suction or no suction

Empty the dust cup and wash the pre-motor filter and Single Cyclone system.
Remove nozzle and tube check for any blockages in the duct.

D. Batteries cannot be charged

Contact Hoover customer service to arrange battery replacement.
If the problem persists, contact the Hoover customer service center.
This may be a result of very long storage periods (over half year).

E. The nozzle doesn't work

Check if the nozzle window is completely closed.

HOOVER SPARES AND CONSUMABLES

Always replace parts with genuine Hoover spares. These are available from your local Hoover dealer or direct from Hoover. When ordering parts always quote your model number.

YOUR GUARANTEE

The guarantee conditions for this appliance are as defined by our representative in the country in which it is sold. Details regarding these conditions can be obtained from the dealer from whom the appliance was purchased. The bill of sale or receipt must be produced when making any claim under the terms of this guarantee.

IMPORTANT: The battery in this cleaner is guaranteed for 6 months from the date of purchase. After 6 months the customer is liable for the cost of a new battery.

Subject to change without notice.

INSTRUCTIONS DE SÉCURITÉ D'UTILISATION

Cet appareil ne doit être utilisé que pour un nettoyage domestique, conformément à ce guide d'utilisation. Veuillez vous assurer que ces instructions sont parfaitement comprises avant d'utiliser l'appareil.

Il convient de toujours éteindre et mettre le chargeur hors tension avant d'entreprendre des opérations de nettoyage ou d'entretien de l'appareil.

Cet appareil peut être utilisé par des enfants âgés d'au moins 8 ans et par des personnes ayant des capacités physiques, sensorielles ou mentales réduites, ou n'ayant pas d'expérience ou de connaissances en la matière. Ces dernières doivent recevoir des instructions sur l'utilisation de l'appareil en toute sécurité et comprendre les risques impliqués. Les enfants ne doivent pas jouer avec l'appareil. Le nettoyage et l'entretien ne devraient pas être effectués par des enfants sans supervision.

Si le cordon d'alimentation est endommagé, arrêtez immédiatement d'utiliser l'appareil. Pour éviter les risques d'accident, un réparateur Hoover agréé doit remplacer le cordon d'alimentation.

Utilisez uniquement le chargeur d'origine qui vous a été fourni avec l'appareil.

Vérifiez que la tension de l'alimentation est la même que celle indiquée sur le chargeur. Cet appareil Candy est fourni avec un chargeur de batterie doublement isolé qui n'est adapté qu'à une prise de 230 V (240 V Grande-Bretagne).

Branchez le chargeur dans une prise adaptée et connectez la prise jack du chargeur dans l'appareil.

Le voyant LED du bloc batterie s'illumine en ROUGE lors de la charge et deviendra BLANC lorsque l'appareil est entièrement chargé.

Rebranchez l'appareil au chargeur après l'utilisation pour recharger les batteries.

Ne rechargez jamais les batteries dans des températures de plus de 37°C ou en-dessous de 0°C. Il est normal que le chargeur devienne chaud au toucher lorsqu'il est en train de charger.

Le chargeur doit être débranché en cas d'absence prolongée (vacances, etc.). Rechargez l'appareil de nouveau avant de l'utiliser car les batteries peuvent se décharger toutes seules si elles sont stockées pendant longtemps.

N'utilisez que les accessoires, les consommables et les pièces

de rechange recommandés ou fournis par Hoover.

Électricité statique : certains tapis peuvent entraîner une petite accumulation d'électricité statique. Les décharges d'électricité statique ne sont pas dangereuses pour la santé.

Maintenez les mains, pieds, vêtements et cheveux à distance des brosses rotatives.

Ne débranchez pas l'appareil en tirant sur le cordon d'alimentation.

N'utilisez pas votre appareil à l'extérieur, sur une surface humide ou aspirer des débris humides. N'aspirez pas d'objets durs ou tranchants, d'allumettes, de cendres chaudes, de mégots de cigarettes ou d'autres objets similaires. Ne pulvérisez ou n'aspirez pas de liquides inflammables, des produits d'entretien liquides, des aérosols ou leurs vapeurs. Ne marchez pas sur le cordon d'alimentation lorsque vous utilisez votre appareil et ne le débranchez pas de la prise en tirant sur le cordon d'alimentation.

Ne continuez pas à utiliser votre appareil ou votre chargeur s'il semble défectueux. N'utilisez pas l'appareil sur des personnes ou des animaux. Ne remplacez pas les batteries avec des batteries non rechargeables.

Service Hoover : Pour assurer l'utilisation sûre et efficace de cet appareil, nous recommandons de n'en confier l'entretien et les réparations qu'à un réparateur Hoover agréé.

Mise au rebut en fin de vie

Si vous mettez l'appareil à la poubelle, il convient de retirer les batteries d'abord. L'appareil ne doit pas être branché à la prise lorsque vous retirez les batteries. Jetez les batteries dans un endroit sûr. Laissez fonctionner l'appareil jusqu'à l'arrêt total de l'appareil provoqué par le déchargement complet des batteries. Les batteries usées doivent être amenées à un point de recyclage et non pas être éliminées avec les ordures ménagères. Pour retirer les batteries, veuillez contacter le centre d'assistance Hoover ou suivez les instructions suivantes.

IMPORTANT : Déchargez toujours complètement la batterie avant de la retirer.

Utilisez votre aspirateur jusqu'à ce que la batterie soit complètement déchargée. Retirez la prise jack du chargeur de l'appareil.

Appuyez sur les boutons de déverrouillage du bloc batterie et faites glisser le bloc batterie pour le retirer.

REMARQUE : Si vous rencontrez des difficultés en démontant l'unité ou si vous souhaitez obtenir de plus amples informations concernant le traitement, la maintenance et le recyclage de cet

appareil, veuillez contacter les services de votre ville locale ou un centre de traitement des ordures ménagères.

Environnement :

Cet appareil porte des marquages conformes à la directive européenne 2011/65/EC relative aux déchets d'équipements électriques et électroniques (DEEE). Si vous jetez ce produit convenablement, vous contribuerez à éviter des conséquences potentiellement nuisibles pour l'environnement et pour la santé. Le symbole figurant sur le produit indique qu'il ne peut pas être mis à la poubelle avec les ordures ménagères. Vous devez le déposer dans un centre de recyclage des déchets électriques et électroniques. La déposition doit être effectuée conformément à la réglementation locale en matière de déchets. Pour obtenir des compléments d'information sur le traitement, la récupération et le recyclage de ce produit, merci de contacter votre municipalité, le service local des ordures ménagères ou le lieu d'achat du produit.



Cet appareil est conforme aux Directives européennes 2014/35/UE, 2014/30/EUE et 2011/65/UE.

CANDY HOOVER GROUP S.r.l. Via Privata Eden Fumagalli, 20861 Brugherio (MB) Italy

COMPOSANTS DU PRODUIT

- | | |
|--|--|
| A. Support mural* | S. Bouton de déverrouillage de l'ensemble du bac à poussière |
| B. Commande de puissance tactile | T. Bloc batterie |
| C. Corps principal | U. Voyant LED du bloc batterie |
| D. Voyant Led automatique | V. Entrée de charge du bloc batterie |
| E. Bouton de déverrouillage du manche du balai | W. Bouton de déverrouillage du bloc batterie |
| F. Tube | X. Chargeur |
| G. Bouton pour détacher la brosse | Y. Grand suceur pour dépoussiérer les meubles 2 en 1* |
| H. Bande LED avant brosse | Z. Suceur plat 2 en 1* |
| I. Variateur du couvercle de déverrouillage de la brosse | AA. Mini-turbobrosse* |
| J. Capuchon d'extrémité de déverrouillage de la brosse | AB. Adaptateur d'accessoire* |
| K. Gicleur pour fenêtres | AC. Outil de radiateur* |
| L. Brosse | AD. Brosse de nettoyage soigné* |
| M. Interrupteur MARCHE/ARRÊT | AE. Outil accès en hauteur multifonction* |
| N. Filtre pré-moteur | AF. Suceur flexible coins profonds* |
| O. Détecteur Vortex à cyclone unique | AG. Vis de montage mural* |
| P. Système de cyclone unique | AH. Nettoyeur |
| Q. Bac à poussière | AI. Sac d'accessoires* |
| R. Bouton de déverrouillage du clapet du bac à poussière | |

PREPARATION DE L'APPAREIL

- Montez le tube sur la brosse jusqu'à ce qu'il s'enclenche en place. **[1a]**
- Montez l'unité de corps principal sur le tube jusqu'à ce qu'elle s'enclenche en place. **[1b]**
- Chargez pleinement la batterie de l'appareil en connectant la prise jack du chargeur au bloc batterie. **[2a]** La durée de charge est d'environ 2 heures. Vous pouvez charger la batterie également lorsqu'elle est en dehors du produit. **[2b]** Le voyant LED du bloc batterie s'illumine en ROUGE lors de la charge et deviendra BLANC lorsque l'appareil est entièrement chargé. **[3]**

REMARQUE : Pour enlever la brosse, appuyez sur le bouton pour détacher la brosse et enlevez-la du corps principal.

REMARQUE : N'utilisez que le chargeur fourni avec votre nettoyeur pour recharger.

IMPORTANT : Lors de la charge, l'aspirateur doit être éteint. Vous pouvez charger le bloc batterie amovible également lorsqu'il est libéré du produit. Il est normal pour le chargeur de devenir chaud au toucher lorsqu'il est en train de charger.

UTILISATION DE L'APPAREIL

Il existe trois modes de fonctionnement

- **MODE STANDARD :** Lorsque vous appuyez sur l'interrupteur Marche/Arrêt, l'aspirateur est prêt à nettoyer la brosse motorisée principale ou la mini brosse turbo motorisée. **[4]**
- **MODE TURBO :** Appuyez sur la commande d'alimentation tactile sur le corps principal pour alimenter l'appareil complètement pour les tâches de nettoyage lourdes. **[5]**

* Sur certains modèles uniquement

• **MODE AUTOMATIQUE** : Lorsque la brosse motorisée principale ou la mini turbobrosse est retirée, le produit s'adapte automatiquement au réglage de puissance le plus bas et active le voyant Led automatique. [6]

Si une puissance supérieure est nécessaire pour une tâche de nettoyage lourde, appuyez sur le bouton tactile turbo sur le corps principal afin de choisir parmi les modes de puissance celui qui correspond le mieux à votre tâche

UTILISATION DE LA BATTERIE

Quand la batterie est en train de se décharger pendant la session de nettoyage, la LED du bloc batterie est blanche. Lorsque la capacité de la batterie est inférieure à 5 %, le voyant LED BLANC commence à clignoter.

Lorsque cela se produit, vous devez arrêter le nettoyage et recharger immédiatement votre batterie. [2]

Lors de la charge du produit, l'interrupteur marche/arrêt doit être désactivé.

Vous pouvez charger la batterie également lorsqu'elle est en dehors du produit.

La durée de charge est d'environ 2.5 heures. Lorsque la batterie est entièrement chargée, le voyant LED sur la batterie brille en blanc.

REMARQUE : Il est normal pour le chargeur de devenir chaud au toucher lorsqu'il est en train de charger. N'utilisez que le chargeur fourni avec votre nettoyeur.

SYSTÈME DE PROTECTION DE SÉCURITÉ

Pour vous assurer que la fiabilité de l'appareil ne soit pas affectée si utilisé dans des conditions difficiles, l'appareil offre 2 systèmes de protection de sécurité intégrés.

1. Le système de protection de sécurité s'actionnera si la brosse présente un blocage ou si elle est verrouillée, une fois actionnée la brosse s'arrêtera de tourner, la bande LED blanche sur l'avant de la brosse clignotera 5 fois. [18] Si cela se produit, éteignez simplement le produit et dégarez l'obstruction de la brosse. Pour reprendre le nettoyage, appuyez sur le bouton de marche/arrêt et le produit redémarrera en mode normal.

2. Le deuxième système de protection de sécurité s'actionnera si le gicleur pour fenêtres n'est pas complètement fermé avant l'utilisation. Si la fenêtre est ouverte, le gicleur ne s'allumera pas. Si cela se produit, il faut tout simplement éteindre votre appareil et vous assurer que le gicleur pour fenêtres est complètement fermé. Pour reprendre le nettoyage, appuyez sur le bouton de marche/arrêt et le produit redémarrera en mode normal.

ACCESSOIRES*

SUCEUR PLAT 2 EN 1*, GRAND SUCEUR POUR DÉPOUSSIÉRER LES MEUBLES 2 EN 1*, SUCEUR FLEXIBLE COINS PROFONDS*, OUTIL ACCÈS EN HAUTEUR MULTIFONCTION* ET BUSE PUISSANCE MINI*

Les accessoires ci-dessus peuvent être fixés directement dans l'unité de corps principal ou le tube. [6]

REMARQUE : Pour retirer la brosse ou l'unité de corps principal du tube, appuyez sur le bouton de déverrouillage respectif et démontez-la.

OUTIL DE RADIATEUR* ET BROSSE DE NETTOYAGE SOIGNÉ*

L'adaptateur d'accessoire* doit être fixé lorsque vous utilisez ces 2 accessoires. [6]

REMARQUE : La mini turbobrosse est idéale pour le nettoyage en profondeur des surfaces textiles (c.-à-d. les canapés) et pour le retrait de poils d'animaux domestiques. Faites-le avancer et reculer de façon régulière. Après l'utilisation, veuillez retirer les cheveux/fils rassemblés sur la brosse à l'aide de ciseaux, si nécessaire.

Le suceur flexible coins profonds est idéal pour le nettoyage des endroits difficilement accessibles, sous les meubles et dans votre voiture.

L'outil de radiateur est idéal pour le nettoyage de l'intérieur et des alentours des armoires, des radiateurs et des couches.

La brosse de nettoyage en profondeur est utile pour nettoyer les espaces étroits sans abîmer les surfaces et l'intérieur de votre voiture.

L'outil multifonction est conçu pour facilement nettoyer les surfaces délicates sans les égratigner et tous les endroits difficilement accessibles. L'outil multifonction est constitué de trois pièces clés.

1. Le suceur plat est idéal pour accéder aux espaces étroits.
2. La brosse à dépoûsiérer est idéale pour nettoyer les surfaces sans les endommager ou les égratigner.
3. La brosse à meubles est idéale pour le nettoyage des surfaces comme les canapés.

SAC ACCESSOIRES*

Les accessoires supplémentaires peuvent être rangés dans le sac accessoires.

OUTIL DE NETTOYAGE

L'outil de nettoyage est utile pour nettoyer le système de cyclone unique, le bas à poussière et la brosse.

SUPPORT MURAL*

Accrochez le support mural au mûr, à l'aide des deux vis incluses dans le produit pour l'accrocher. [7]

* Sur certains modèles uniquement

ENTRETIEN DE L'ASPIRATEUR

Vider le bac à poussière

1. Appuyez sur le bouton de déverrouillage manuel et retirez le tube. **[1b]**
2. Appuyez sur le bouton de déverrouillage du clapet du bac à poussière pour libérer le clapet du bac à poussière et vider le contenu. **[8a]**
3. Fermez le clapet du bac à poussière ; vous entendrez un déclic une fois complètement verrouillé.

REMARQUE : Il est recommandé de vider le bac à poussière après chaque usage ou lorsque la poussière atteint la ligne de remplissage maximale.

Nettoyage quotidien rapide du bac à poussière.

Il suffit d'ouvrir le volet du bac à poussière à l'aide du nettoyeur.

Utilisez l'extrémité du crochet pour faire sortir la poussière collectée à l'intérieur du bac à poussière. **[8b]**

Utilisez l'extrémité de la brosse pour nettoyer la poussière autour du système de cyclone unique. **[10b]**

REMARQUE : Il est recommandé de nettoyer le bac à poussière après l'avoir vidé.

Nettoyez le bac à poussière et le filtre

1. Appuyez sur le bouton de déverrouillage du tube et retirez-le. **[1b]**
2. Appuyez sur le bouton de déverrouillage du clapet du bac à poussière pour libérer le clapet du bac à poussière et vider le contenu. **[8]**
3. Fermez le clapet du bac à poussière ; vous entendrez un clic une fois complètement verrouillé.
4. Appuyez sur le bouton de déverrouillage de la batterie et retirez le bloc batterie. **[2b]**
5. Appuyez sur le bouton de déverrouillage du bac à poussière placé sur le côté arrière du bac à poussière et tournez-le dans le sens antihoraire tout en l'éloignant de l'unité. **[9]**
6. Retirez le filtre pré-moteur en tirant le support du bac à poussière. **[10]**
7. Retirez le système de cyclone unique en tirant la bague métallique du bac à poussière. **[10]**
8. Tirez le système de cyclone unique et faites tourner le détecteur Vortex à cyclone unique dans le sens contraire des aiguilles d'une montre, puis enlevez-le. **[11]**
9. Lavez le filtre et le système de cyclone unique dans de l'eau tiède et laissez-les sécher pendant 24 heures. **[12,13]**
10. Remontez-le quand il est complètement sec et replacez-le sur le produit. **[14,15,16,17]**

REMARQUE : N'utilisez pas d'eau chaude ou de détergent lorsque vous nettoyez le filtre pré-moteur. Dans le cas peu probable où le filtre pré-moteur s'endommage, fixez une pièce de rechange certifié Hoover.

N'utilisez pas le produit sans le filtre pré-moteur fixé avant de monter le bac à poussière sur le corps principal.

IMPORTANT : Pour des performances optimales, conservez le filtre propre.

Nettoyer la brosse et le gicleur

IMPORTANT : Arrêtez toujours l'appareil avant de changer ou de nettoyer la brosse.

1. Retirez la brosse du tube. **[19]**
2. Poussez le bouton d'ouverture vers la droite afin de déverrouiller la fenêtre. **[20]**
3. Ouvrez complètement le gicleur pour fenêtres afin de retirer la brosse. **[20]**
4. Tenez le capuchon d'extrémité de déverrouillage de la brosse et retirez la brosse. **[21]**
5. S'il y a de la saleté résiduelle sur la brosse, retirez-la manuellement ou à l'aide du nettoyeur. **[22]**
6. S'il y a de la saleté à l'intérieur ou autour du peigne, retirez-le à l'aide de la brosse du nettoyeur. **[23]**
7. Pour s'assurer que le gicleur soit complètement libre de toute obstruction, tournez le gicleur et vérifiez le dessous. Si nécessaire, nettoyez cette partie à l'aide du crochet du nettoyeur fourni. **[24]**
8. Tournez le gicleur jusqu'à le reporter en position initiale et remontez la brosse. La brosse ne peut s'adapter que dans un seul sens. Appuyez légèrement sur l'extrémité pour vous assurer que la brosse est en place. **[25]**
9. Fermez la fenêtre en appuyant sur la partie centrale de la fenêtre jusqu'à ce que vous entendiez un « clic ». Vérifiez que la fenêtre est complètement verrouillée en appuyant sur les deux côtés. **[26]**

REMARQUE : Assurez-vous que le gicleur pour fenêtres soit complètement fermé avant son utilisation. Si la fenêtre est ouverte, le gicleur ne s'allumera pas.

Remplacement des batteries

L'aspirateur est équipé d'un bloc batterie Lithium ion rechargeable qui est remplaçable.

MISE EN GARDE : Utilisez uniquement les pièces de rechange compatibles avec votre aspirateur. L'utilisation de pièces non approuvées par Hoover est dangereuse et invalidera votre garantie.

MISE EN GARDE : N'essayez pas d'ouvrir la batterie pour la réparer vous-même.

1. Appuyez sur le bouton de déverrouillage du bloc batterie et tirez la batterie vers l'extérieur. **[2b]**
2. Enlevez l'ancien bloc batterie et remplacez-le par un nouveau.
3. Jetez les batteries dans un endroit sûr. Les batteries usées doivent être amenées à un point de recyclage et non pas être éliminées avec les ordures ménagères.

* Sur certains modèles uniquement

DÉPANNAGE

Si vous avez des problèmes avec votre nettoyeur, suivez cette simple liste de vérification avant d'appeler le service clientèle Hoover :

A. L'aspirateur ne s'allume pas

Vérifiez que le nettoyeur est chargé
Vérifiez que la batterie est bien en place.

B. L'aspirateur s'arrête de fonctionner

Vérifiez s'il y a une obstruction dans la brosse, dégagez-la et assurez-vous que le bloc batterie est retiré. Une fois que cela est fait, appuyez simplement sur le bouton marche/arrêt et le produit redémarrera à nouveau. Videz le bac à poussière et lavez le filtre pré-moteur, cyclone unique, détecteur vortex et séparateur cyclonique.
Retirez la brosse et le tube pour vérifier s'il y a des blocages dans le conduit.

C. Aspiration insuffisante ou pas d'aspiration du tout

Videz le bac à poussière et lavez le filtre pré-moteur et le système de cyclone unique.
Retirez la brosse et le tube pour vérifier s'il y a des blocages dans le conduit.

D. La batterie ne charge pas

Contactez le service clientèle Hoover pour effectuer le changement de batterie.
Si le problème persiste, contactez le service clientèle Hoover.
Cela peut être dû à de très longues périodes de stockage (plus de 6 mois).

E. La brosse ne fonctionne pas

Contrôlez que le gicleur pour fenêtres est complètement fermé.

PIÈCES DÉTACHÉES ET CONSOMMABLES HOOVER

Toujours remplacer les pièces par des pièces détachées de la marque Hoover. Celles-ci sont disponibles auprès de votre revendeur Hoover. Lors de la commande de pièces, veuillez toujours préciser le numéro de votre modèle.

VOTRE GARANTIE

Les conditions de garantie de cet appareil sont définies par notre représentant dans le pays où il est vendu et peuvent être obtenues auprès de votre revendeur. Les détails concernant ces conditions peuvent être obtenus auprès du revendeur auprès duquel l'appareil a été acheté. La facture d'achat ou le reçu doivent être présentés pour toutes réclamations relevant des conditions de cette garantie.

IMPORTANT : La batterie de cet aspirateur est garantie 6 mois à compter de la date d'achat. Passés les six mois, le client est responsable du coût d'acquisition d'une nouvelle batterie.

Ces conditions peuvent être modifiées sans préavis.

HINWEISE FÜR DIE SICHERE BENUTZUNG

Dieses Gerät ist nur zum Gebrauch im Haushalt und nicht für gewerbliche Zwecke bestimmt. Sie sollten das Gerät ausschließlich gemäß den Angaben in dieser Bedienungsanleitung verwenden. Vor dem Gebrauch des Gerätes muss die vorliegende Bedienungsanleitung vollständig gelesen und verstanden worden sein.

Schalten Sie das Gerät immer aus und ziehen den Stecker des Ladegerätes, bevor Sie das Gerät reinigen oder irgendwelche Wartungsarbeiten durchführen.

Dieses Gerät darf von Kindern ab 8 Jahren, sowie körperlich, geistig oder sensorisch behinderten Personen bzw. Personen ohne Erfahrung und Kenntnisse im Gebrauch nur unter Aufsicht oder unter Anleitung für die sichere Benutzung und den damit verbundenen Gefahren benutzt werden. Kinder sollten nicht mit dem Gerät spielen. Reinigungs- und Wartungsarbeiten dürfen von Kindern nur unter Aufsicht ausgeführt werden.

Ist das Netzkabel beschädigt, darf das Gerät NICHT mehr benutzt werden. Im Falle eines Defektes, darf das Netzkabel nur durch einen autorisierten Hoover-Kundendiensttechniker ausgetauscht werden.

Verwenden Sie nur das Originalladegerät, das mit dem Gerät geliefert wurde.

Stellen Sie sicher, dass die Versorgungsspannung mit der auf dem Ladegerät angegebenen Spannung übereinstimmt. Dieses Haushaltsgerät von Candy wird mit einem schutzisolierten Batterieladegerät geliefert, welches ausschließlich für 230 V (GB 240 V) Steckdosen geeignet ist.

Stecken Sie das Netzteil in eine geeignete Steckdose und schließen Sie den Stecker am Gerät an.

Die Akku-LED-Leuchte leuchtet während des Ladevorgangs ROT und nach dem Aufladen WEISS.

Schließen Sie das Gerät nach der Benutzung wieder an das Netzteil an, um die Akkus wieder aufzuladen.

Akkus niemals bei Temperaturen über 37°C oder unter 0°C aufladen! Es ist normal, dass sich das Ladegerät während des Ladevorgangs erwärmt.

Ziehen Sie im Fall einer längeren Abwesenheit, z. B. Urlaub usw. den Stecker des Ladegerätes aus der Steckdose. Laden Sie nach einer längeren Zeit der Lagerung/Nichtbenutzung das Gerät vor der erneuten Benutzung wieder komplett auf, da sich die Akkus von selber entladen können.

Verwenden Sie nur Zubehör, Verbrauchsmaterial oder Ersatzteile,

die von Hoover empfohlen oder geliefert werden.

Statische Aufladung: Manche Teppiche können die Bildung statischer Elektrizität verursachen. Diese ist nicht gesundheitsschädlich.

Hände, Füße, lose Kleidung und Haare von den rotierenden Bürsten fernhalten.

Ziehen Sie den Netzstecker des Ladegerätes NIEMALS durch Ziehen am Kabel heraus.

Benutzen Sie das Gerät nicht im Freien, auf nassen Oberflächen oder zur Aufnahme von feuchtem Schmutz. Vermeiden Sie es, harte oder scharfe Gegenstände, Streichhölzer, heiße Asche, Zigarettenkippen oder Ähnliches aufzusaugen. Niemals entzündliche Flüssigkeiten, Reinigungsmittel, Aerosole oder deren Dämpfe auf das Gerät sprühen oder damit aufsaugen. Während des Betriebs nicht über das Netzkabel fahren. Nicht am Kabel ziehen, um den Gerätestecker aus der Steckdose zu ziehen. Stellen Sie die Verwendung des Gerätes oder des Ladegerätes ein, wenn ein Defekt vermutet wird. Benutzen Sie das Gerät nicht zur Reinigung von Menschen oder Tieren. Ersetzen Sie die Akkus nicht durch Einwegbatterien.

Hoover-Kundendienst: Um auf Dauer den sicheren und effizienten Betrieb dieses Gerätes zu gewährleisten, empfehlen wir, Wartungs- und Reparaturarbeiten ausschließlich von einem zugelassenen Hoover-Kundendiensttechniker durchführen zu lassen.

Entsorgung am Ende der Produktlebensdauer

Wenn das Gerät entsorgt wird, müssen zuvor die Akkus entfernt werden. Das Gerät muss von der Stromnetz getrennt sein, wenn die Akkus entnommen werden. Entsorgen Sie die Akkus ordnungsgemäß. Lassen Sie das Gerät laufen, bis die Akkus leer sind und es von selber stoppt. Gebrauchte Akkus sollten zum Recycling zurückgegeben und nicht mit dem Hausmüll entsorgt werden. Um die Akkus herauszunehmen, wenden Sie sich bitte an das Hoover-Kundendienst oder führen Sie folgende Schritte aus.

WICHTIG: Entladen Sie die Akkus vor dem Herausnehmen immer ganz.

Lassen Sie dafür das Gerät laufen, bis die Akkus vollständig entladen sind. Ziehen Sie den Stecker des Ladegerätes aus dem Gerät.

Drücken Sie die Freigabetaste des Akkus und schieben Sie ihn heraus, um ihn zu entnehmen.

HINWEIS: Sollten Sie irgendwelche Schwierigkeiten beim Auseinandernehmen des Gerätes haben oder detailliertere

Informationen zur Behandlung, Reparatur oder zum Recycling des Geräts benötigen, kontaktieren Sie bitte Ihre Stadtverwaltung oder den lokalen Entsorgungsdienst für Haushaltsabfälle.

Umweltschutz:

Dieses Elektrohaushaltsgerät ist entsprechend der EU-Richtlinie 2011/65/EC über Elektro- und Elektronik-Altgeräte (WEEE) gekennzeichnet. Durch die sichere und umweltgerechte Entsorgung dieses Produkts tragen Sie dazu bei, mögliche negative Auswirkungen auf die Umwelt und die Gesundheit des Menschen zu verhindern. Das am Produkt angebrachte Symbol gibt an, dass dieses Produkt nicht als Hausmüll behandelt werden darf, sondern an einer entsprechenden Sammelstelle für das Recycling von elektrischen und elektronischen Geräten zu entsorgen ist. Die Entsorgung ist in Übereinstimmung mit allen geltenden Vorschriften für die umweltgerechte Abfallentsorgung vorzunehmen. Ausführlichere Informationen über die Müllbehandlung und das Recycling dieses Geräts erhalten Sie von der zuständigen Umweltbehörde, der Müllentsorgungsstelle Ihrer Kommune oder dem Händler, bei dem Sie das Gerät erworben haben.



Dieses Gerät erfüllt die Europäischen Richtlinien 2014/35/EG, 2014/30/EG und 2011/65/EG.

CANDY HOOVER GROUP S.r.l. Via Privata Eden Fumagalli, 20861 Brugherio (MB) Italy

PRODUKTBESTANDTEILE

- | | |
|---|---|
| A. Wandhalterung* | S. Freigabetaste für Staubbehälter |
| B. Touch-Leistungsregulierung | T. Akku |
| C. Gerätekorpus | U. Akku-LED-Leuchte |
| D. Auto-LED-Leuchte | V. Anschluss zum Laden des Akkus |
| E. Handgerät-Freigabetaste | W. Akku-Freigabetaste |
| F. Rohr | X. Ladegerät |
| G. Taste zum Entfernen der Bodendüse | Y. 2in1-Möbelpinsel & -Fugendüse in extragroß* |
| H. Düsenbeleuchtungs-LED | Z. 2in1-Fugendüse und Möbelpinsel* |
| I. Bürstwalzenentriegelung Schiebereglerabdeckung | AA. Miniturbodüse* |
| J. Bürstwalzenentriegelung Endkappe | AB. Zubehöradapter* |
| K. Düsenfenster | AC. Heizkörperdüse* |
| L. Bürstwalze | AD. Tiefenreinigungsbürste* |
| M. Hauptschalter | AE. Multifunktions-Reinigungsbürste (Rüsseldüse)* |
| N. Vormotorfilter | AF. Lange, flexible Fugendüse* |
| O. Einzel-Zyklon Vortex Finder | AG. Wandbefestigungsschrauben* |
| P. Einzel-Zyklonsystem | AH. Reinigungszubehör |
| Q. Staubbehälter | AI. Zubehörtasche* |
| R. Freigabetaste für Staubbehälterklappe | |

VORBEREITUNG DES STAUBSAUGERS

- Schieben Sie das Rohr auf die Düse bis es hörbar einrastet. **[1a]**
 - Schieben Sie den Gerätekorpus auf das Rohr bis er hörbar einrastet. **[1b]**
 - Laden Sie den Akku des Geräts vollständig auf. Stecken Sie hierzu den Stecker des Ladegeräts in den Akku. **[2a]** Die Ladedauer beträgt ungefähr 2 Stunden. Sie können den Akku auch aufladen, wenn Sie ihn vom Gerät abnehmen. **[2b]** Die Akku-LED-Leuchte leuchtet während des Ladevorgangs ROT und nach dem Aufladen WEISS. **[3]**
- HINWEIS:** Zum Abnehmen der Bodendüse drücken Sie auf die Düsenfreigabetaste und ziehen diese ab.
- HINWEIS:** Verwenden Sie zum Aufladen nur das mit dem Gerät mitgelieferte Ladegerät.
- WICHTIG:** Beim Aufladen des Staubsaugers muss der Staubsauger ausgeschaltet sein. Sie können den abnehmbaren Akku auch aufladen, wenn Sie ihn vom Gerät abnehmen. Es ist normal, dass sich das Ladegerät während des Ladevorgangs erwärmt.

GEBRAUCH DES GERÄTES

Es gibt drei Betriebsarten

- **STANDARD MODUS:** Wenn Sie den Ein-/Aus-Schalter drücken, ist der Staubsauger betriebsbereit und kann gründlich mit der Hauptdüse oder Mini-Turbodüse reinigen. **[4]**
- **TURBO MODUS:** Drücken Sie die Touch-Leistungsregulierung am Gerätekorpus, um die volle Geräteleistung für die Reinigung von starken Verschmutzungen abzurufen. **[5]**

* Geräteausstattung ist modellabhängig

• **AUTO MODUS:** Wenn die Hauptdüse oder Mini-Turbodüse abgenommen wird, schaltet das Gerät automatisch auf die niedrigste Leistungseinstellung um und schaltet die Auto LED-Leuchte ein. [6]

Wenn für starke Verschmutzung mehr Leistung benötigt wird, drücken Sie TURBO-Touch-Leistungsregulierung am Gerätekorpus, um die verfügbaren Leistungsstufen entsprechend Ihren Aufgaben abzurufen.

AKKUBERBRAUCH

Wenn der Akku während der Reinigung entladen wird, leuchtet die Akku-LED weiß. Wenn die Akkukapazität unter 5% liegt, beginnt die weiße LED-Leuchte zu blinken.

Wenn dies geschieht, sollten Sie die Reinigungsarbeiten beenden und Ihren Akku sofort aufladen. [2]

Beim Aufladen des Geräts muss der Ein/Aus-Schalter auf AUS (OFF) geschaltet sein.

Sie können den Akku auch aufladen, wenn Sie ihn vom Gerät abnehmen.

Die Ladedauer beträgt ungefähr 2,5 Stunden. Wenn der Akku vollständig aufgeladen ist, leuchtet die LED-Leuchte auf dem Akku weiß.

HINWEIS: Es ist normal, dass sich das Ladegerät während des Ladevorgangs erwärmt. Verwenden Sie zum Aufladen nur das mit dem Staubsauger mitgelieferte Ladegerät.

SICHERHEITSSCHUTZSYSTEM

Um zu gewährleisten, dass die Zuverlässigkeit des Geräts bei Gebrauch unter schwierigen Bedingungen nicht beeinträchtigt wird, wurde das Gerät mit einem integrierten Sicherheitsschutzsystem ausgestattet.

1. Das Sicherheitsschutzsystem wird aktiv, wenn die Bürstwalze verstopft oder blockiert ist. Die Bürstwalze hört auf zu rotieren und die weiße LED-Leuchte vorne auf der Düse wird 5 Mal blinken. [18] Wenn dies geschieht, schalten Sie einfach Ihr Gerät aus und beseitigen Sie das Hindernis an der Bürstwalze. Um weiter zu reinigen, drücken Sie die Ein-/Aus-Taste und das Gerät startet wieder im Normalbetrieb.

2. Das zweite Sicherheitsschutzsystem wird aktiv, wenn das Düsenfenster vor Gebrauch nicht vollständig geschlossen ist. Wenn das Fenster geöffnet ist, schaltet sich die Düse nicht ein. Schalten Sie in diesem Fall einfach das Gerät aus und vergewissern Sie sich, dass das Düsenfenster vollständig geschlossen ist. Um weiter zu reinigen, drücken Sie die Ein-/Aus-Taste und das Gerät startet wieder im Normalbetrieb.

ZUBEHÖR*

2IN1-FUGENDÜSE UND MÖBELPINSSEL*, 2IN1-GROSSE MÖBELPINSSEL UND POLSTERDÜSE*, LANGE, FLEXIBLE FUGENDÜSE*, MULTIFUNKTIONS-REINIGUNGSBÜRSTE (RÜSELDDÜSE)* UND MINI-TURBODÜSE*

Das oben genannte Zubehör kann direkt am Gerätekorpus oder an einem Rohrende befestigt werden. [6]

HINWEIS: Um die Düse oder den Gerätekorpus vom Rohr zu lösen, drücken Sie die entsprechende Freigabetaste und ziehen Sie die Teile auseinander.

HEIZKÖRPERDÜSE * UND TIEFENREINIGUNGSBÜRSTE*

Bei zwei der oben genannten Zubehöerteile muss der Zubehöradapter* benutzt werden. [6]

HINWEIS: Die Mini-Turbodüse ist ideal für die tiefe Reinigung von Textiloberflächen (z. B. Sofas) und zum Entfernen von Tierhaaren. Bewegen Sie ihn kontinuierlich rückwärts und vorwärts. Entfernen Sie nach dem Gebrauch auf der Bürste angesammelte Haare/Fäden nach Bedarf mit einer Schere.

Die lange, flexible Fugendüse ist ideal für die Reinigung von schwer erreichbaren Bereichen, unter Möbeln und in Ihrem Auto.

Die Heizkörperbürste ist ideal für die Reinigung von Heizkörpern und Sofas, das Schrankinnere und um den Schrank herum.

Die Tiefenreinigungsbürste ist hilfreich bei der Reinigung von engen Bereichen, ohne dabei die Oberflächen zu zerkratzen, beispielsweise in Ihrem Auto.

Das Multifunktionszubehör ist so konzipiert, dass Sie empfindliche Oberflächen ohne Kratzer und alle Bereiche, die schwer zugänglich sind, leicht reinigen können. Das Multifunktionszubehör besteht aus drei wichtigen Teilen.

1. Fugendüse, sie ist ideal für den Zugang zu engen Räumen.
2. Möbelpinsel, er eignet sich hervorragend zum Reinigen von Oberflächen ohne sie zu beschädigen oder Kratzer zu hinterlassen.
3. Die Polsterdüse ist ideal zum Reinigen von Oberflächen wie Polstermöbel.

ZUBEHÖRTASCHE*

Alles weitere Zubehör kann in der Zubehörtasche aufbewahrt werden.

* Geräteausstattung ist modellabhängig

REINIGUNGSZUBEHÖR

Das Reinigungszubehör ist nützlich, um den Einzel-Zyklon, den Staubfangteller und die Düse zu reinigen.

WANDHALTERUNG*

Um das Gerät an der Wand hängend aufzubewahren, befestigen Sie die Wandhalterung mit den beiden mitgelieferten Schrauben an der Wand. [7]

WARTUNG DES GERÄTES

Entleeren des Staubbehälters

1. Drücken Sie die Freigabetaste des Handgerätes und nehmen Sie das Rohr ab. [1b]
 2. Drücken Sie auf die Freigabetaste für die Staubbehälterklappe, um die Staubbehälterklappe zu öffnen und den Inhalt zu entleeren. [8a]
 3. Schließen Sie die Staubbehälterklappe. Sie werden ein "Klicken" hören, wenn diese vollständig verschlossen ist.
- HINWEIS:** Es wird empfohlen den Staubfangbehälter nach jedem Gebrauch, oder wenn der Staub bis zur maximalen Fülllinie reicht, zu entleeren.

Schnelle tägliche Reinigung des Staubbehälters

Öffnen Sie einfach die Staubbehälterklappe und entfernen Sie den Staub mit Hilfe des Reinigungszubehörs.

Verwenden Sie das Hakenende, um den im Staubbehälter gesammelten Staub herauszuziehen. [8b]

Verwenden Sie das Bürstenende um den Feinstaub und den Einzel-Zyklon zu reinigen. [10b]

HINWEIS: Es wird empfohlen, den Staubfangteller nach jedem Gebrauch zu reinigen.

Reinigen Sie den Staubbehälter und den Filter.

1. Drücken Sie auf die Freigabetaste für das Rohr und nehmen Sie das Rohr ab. [1b]
2. Drücken Sie auf die Freigabetaste für die Staubbehälterklappe, um die Staubbehälterklappe zu öffnen und den Inhalt zu entleeren. [8]
3. Schließen Sie die Staubfangbehälterklappe. Sie werden ein "Klicken" hören, wenn diese vollständig verschlossen ist.
4. Drücken Sie die Akku-Freigabetaste und nehmen Sie den Akku ab. [2b]
5. Drücken Sie die Freigabetaste des Staubbehälters auf der Rückseite des Staubbehälters und drehen Sie ihn entgegen Uhrzeigersinn und ziehen Sie ihn vom Gerät ab. [9]
6. Entfernen Sie den Vormotorfilter. Ziehen Sie hierzu die Halterung vom Staubbehälter ab. [10]
7. Nehmen das Einzel-Zyklonsystem heraus und ziehen Sie den Metallring vom Staubbehälter ab. [10]
8. Ziehen Sie das Einzel-Zyklonsystem heraus und drehen Sie das Einzelzyklon-Tauchrohr entgegen dem Uhrzeigersinn und nehmen Sie es heraus. [11]
9. Waschen Sie den Filter und den Einzel-Zyklon mit lauwarmem Wasser und lassen Sie beide 24 Stunden lang trocknen. [12,13]
10. Setzen Sie den Filter, nachdem er vollständig getrocknet ist, wieder in das Gerät ein. [14,15,16,17]

HINWEIS: Verwenden Sie kein heißes Wasser oder Reinigungsmittel zum Reinigen des Vormotorfilters. Im unwahrscheinlichen Fall, dass der Vormotorfilter beschädigt ist, tauschen Sie ihn nur gegen einen Hoover-Originalfilter aus.

Verwenden Sie das Gerät nicht ohne Vormotorfilter, bevor Sie den Staubfangteller am Hauptkörper montieren.

WICHTIG: Halten Sie den Filter für optimale Leistung immer sauber.

Reinigen Sie die Bürstwalze und die Düse

WICHTIG: Schalten Sie vor einem Austausch oder Reinigen der Bürstwalze den Staubsauger immer aus.

1. Nehmen Sie die Düse vom Rohr ab. [19]
2. Schieben Sie den Schieberegler nach rechts und das Düsenfenster wird aufklappen. [20]
3. Öffnen Sie das Düsenfenster vollständig, um die Hybrid-Bürstwalze zu entfernen. [20]
4. Halten Sie die Endkappe der Bürstwalzenentriegelung fest und entfernen Sie die Bürste. [21]
5. Wenn sich noch Schmutz in der Bürstwalze befindet, entfernen Sie ihn von Hand oder mit Hilfe des Reinigungszubehörs. [22]
6. Wenn sich Schmutz in der Düse oder um die Kombibürste befindet, entfernen Sie ihn mit der Bürste des Reinigungszubehörs. [23]
7. Um sicherzustellen, dass die Düse frei von Verstopfungen ist, drehen Sie die Düse um und prüfen Sie den unteren Bereich. Falls erforderlich, reinigen Sie diesen Bereich mit dem Haken des mitgelieferten Reinigungszubehörs. [24]
8. Drehen Sie die Düse in die Anfangsposition und bringen Sie die Bürstwalze wieder an. Drücken Sie das Ende leicht hinein, um sicherzustellen, dass die Bürstwalze richtig sitzt. [25]
9. Schließen Sie das Fenster, indem Sie auf den mittleren Bereich des Fensters drücken, bis es hörbar einrastet. Prüfen Sie, ob das Fenster vollständig verriegelt ist. Drücken Sie hierzu auf beide Seiten. [26]

HINWEIS: Bitte stellen Sie sicher, dass das Düsenfenster vor Gebrauch vollständig geschlossen ist. Wenn das Fenster geöffnet ist, schaltet sich die Düse nicht ein.

* Geräteausstattung ist modellabhängig

Akku ersetzen

Dieser Staubsauger ist mit einem wiederaufladbaren, austauschbaren Lithium-Ionen-Akku ausgestattet.

WARNUNG: Verwenden Sie nur Candy Originalersatzteile für Ihren Staubsauger. Das Verwenden von Teilen, die nicht von Hoover zugelassen wurden, ist gefährlich und führt eventuell dazu, dass Ihre Garantie erlischt.

WARNUNG: Versuchen Sie nicht den Akku zu öffnen und selbst zu reparieren.

1. Drücken Sie die Akku-Freigabetaste und ziehen Sie den Akku nach außen. **[2b]**
2. Entfernen Sie die alten Batterien und ersetzen sie durch neue Batterien.
3. Entsorgen Sie die Akkus ordnungsgemäß. Gebrauchte Akkus sollten zum Recycling zurückgegeben und nicht mit dem Hausmüll entsorgt werden.

FEHLERBEHEBUNG

Falls Sie ein Problem mit Ihrem Gerät haben, befolgen Sie, bevor Sie den Hoover-Kundendienst kontaktieren, bitte folgende einfache Checkliste:

A. Das Gerät lässt sich nicht einschalten

- Überprüfen Sie, ob die Akkus aufgeladen sind
- Überprüfen Sie, ob der Akku richtig eingesetzt ist.

B. Der Staubsauger funktioniert nicht mehr

- Überprüfen Sie, ob die Bürstwalze auf Verstopfungen. Reinigen Sie sie und achten Sie darauf, dass der Akku herausgenommen wurde. Drücken Sie danach einfach den Hauptschalter, damit das Gerät wieder neu startet.
- Entleeren Sie den Staubfangteller und waschen Sie den Vormotorfilter, den Einzel-Zyklon, das Tauchrohr und den Zyklonabscheider.
- Nehmen Sie die Düse ab und überprüfen Sie diese auf Verstopfungen.

C. Niedrige Saugleistung oder das Gerät saugt überhaupt nichts an.

- Entleeren Sie den Staubfangteller und waschen Sie den Vormotorfilter und das Einzel-Zyklonsystem.
- Nehmen Sie die Düse ab und überprüfen Sie diese auf Verstopfungen.

D. Die Akkus können nicht aufgeladen werden

- Wenden Sie sich bitte an den Hoover-Kundendienst, um einen Austausch der Akkus zu veranlassen.
- Wenn das Problem weiterhin besteht, wenden Sie sich bitte an den Hoover-Kundendienst.
- Dies ist nach einem langen Zeitraum (über ein halbes Jahr) der Nichtbenutzung/Lagerung möglich.

E. Die Düse funktioniert nicht

- Überprüfen Sie, ob das Düsenfenster vollständig geschlossen ist.

HOOVER ORIGINAL-ERSATZTEILE UND VERBRAUCHSARTIKEL

Verwenden Sie stets Originalersatzteile von Hoover. Diese sind über den Hoover-Kundendienst erhältlich. Geben Sie bei der Bestellung von Ersatzteilen bitte stets die komplette 16stellige Artikelnummer (Typenplakette auf der Rückseite des Gerätes) Ihres Gerätemodells an.

GARANTIEERKLÄRUNG

Die Garantiebestimmungen für dieses Gerät entsprechen den Richtlinien des Landes, in dem Sie das Gerät erworben haben. Weitere Einzelheiten dazu erhalten Sie vom Händler, bei dem Sie das Gerät erworben haben oder aus dem Garantieheft, das der Verpackung beiliegt. Bitte bewahren Sie den Kaufbeleg sorgfältig auf, denn er wird für eventuell auftretende Garantieansprüche benötigt.

WICHTIG: Für die Akkuzellen in diesem Staubsauger beträgt die Garantie sechs Monate ab Kaufdatum. Nach Ablauf der 6 Monate trägt der Kunde die Kosten für einen neuen Akku.

Änderungen vorbehalten.

ISTRUZIONI PER UN USO SICURO

Questo apparecchio deve essere utilizzato esclusivamente in ambito domestico per interventi di pulizia, secondo le istruzioni riportate nel presente documento. Accertarsi di aver compreso le istruzioni prima di mettere in funzione l'apparecchio.

Prima di procedere alla pulizia dell'apparecchio o effettuare qualsiasi operazione di manutenzione, spegnerlo sempre e rimuovere il caricatore dalla presa.

Questo elettrodomestico non è destinato a essere utilizzato da bambini di età inferiore a 8 anni e da persone dalle ridotte capacità fisiche, sensoriali o mentali, o senza esperienza a causa di una inadeguata informazione sull'uso in sicurezza dell'apparecchio e sui relativi pericoli. Controllare che i bambini non giochino con l'apparecchio. Pulizia e manutenzione non possono essere eseguite da bambini senza sorveglianza da parte di una persona responsabile.

Se il cavo di alimentazione è danneggiato, interrompere immediatamente l'utilizzo dell'apparecchio. Per evitare pericoli, il cavo di alimentazione dovrà essere sostituito da un tecnico del servizio assistenza autorizzato Hoover.

Per ricaricare l'apparecchio, usare solo il caricatore in dotazione. Controllare che i dati indicati sul caricatore corrispondano alla vostra tensione di alimentazione. Questo prodotto Candy è dotato di un caricabatteria doppio isolato che può essere collegato unicamente a una presa 230V (UK 240V).

Inserire la spina del caricatore in una presa adatta e collegare il connettore jack del caricatore all'apparecchio.

Durante la ricarica il LED della batteria si illumina di colore ROSSO e ritornerà di colore BIANCO a carica completamente terminata.

Dopo l'uso, ricollegare l'apparecchio al caricatore per ricaricare le batterie.

Mai caricare le batterie a temperature superiori ai 37 °C o inferiori a 0 °C. È normale che il caricatore si scaldi mentre è in funzione.

Scollegare il caricatore in caso di assenza prolungata (ferie, ecc.). Dopo lunghi periodi di inutilizzo ricaricare l'apparecchio perchè le batterie potrebbero essersi scaricate automaticamente.

Utilizzare solo accessori o parti di consumo e di ricambio consigliati o forniti da HOOVER.

Elettricità statica: Alcuni tappeti possono produrre un piccolo

accumulo di elettricità statica. Le cariche di elettricità statica non sono pericolose per la salute.

Tenere le mani, i piedi, i capi di abbigliamento non attillati e i capelli lontani dalle spazzole rotanti.

Non scollegare il caricatore tirando il cavo.

Non utilizzare l'apparecchio all'aperto, su superfici bagnate o per aspirare liquidi. Non aspirare oggetti solidi o appuntiti, fiammiferi, ceneri calde, mozziconi di sigaretta o simili. Non vaporizzare o aspirare liquidi infiammabili, detergenti, bombolette o i loro vapori. Non calpestare il cavo di alimentazione durante l'utilizzo dell'apparecchio o scollegare la spina dalla presa tirando il cavo di alimentazione. Non continuare a utilizzare l'apparecchio o il caricatore in caso di presunto guasto. Non utilizzare l'apparecchio per l'igiene della persona o degli animali. Non sostituire le batterie con batterie non ricaricabili.

Assistenza Hoover: per garantire un funzionamento sempre sicuro ed efficiente dell'apparecchiatura, si consiglia di fare eseguire eventuali interventi di assistenza o di riparazione dai tecnici del servizio assistenza autorizzato Hoover.

Disposizioni sullo smaltimento dell'apparecchio

Se l'apparecchio è da smaltire, le batterie devono prima essere rimosse. Rimuovere la batteria solo quando l'apparecchio è scollegato dalla rete di alimentazione. Smaltire le batterie in sicurezza. Far funzionare l'apparecchio fino al suo arresto ed assicurarsi che le batterie siano completamente scariche. Le batterie usate devono essere riposte in un centro di riciclaggio e non smaltite con i rifiuti domestici. Per rimuovere le batterie, si prega di contattare il Centro Servizi per Assistenza Clienti Hoover o procedere in base alle seguenti istruzioni.

IMPORTANTE: Scaricare sempre completamente le batterie prima della rimozione.

Far funzionare l'apparecchio finché le batterie non sono completamente scariche. Rimuovere il connettore jack per la ricarica dall'apparecchio.

Premere il pulsante di rilascio per far scorrere la batteria ed estrarla.

NOTA: Se si riscontrano difficoltà a smantellare l'unità o per informazioni più dettagliate sul trattamento, recupero e riciclaggio di questo apparecchio, si prega di contattare l'ufficio comunale per il servizio smaltimento rifiuti.

Ambiente:

L'apparecchio è contrassegnato in conformità con la Direttiva Europea 2011/65/EC sulla gestione dei rifiuti da apparecchiature elettriche ed elettroniche. Garantendo il corretto smaltimento del prodotto, il cliente contribuisce alla salvaguardia della salute delle persone e alla protezione dell'ambiente che potrebbero altrimenti essere compromessi da uno smaltimento eseguito in maniera non idonea. Il simbolo apposto sul prodotto indica che lo stesso non può essere smaltito come i normali rifiuti domestici, bensì deve essere portato al punto di raccolta o al centro di riciclaggio delle apparecchiature elettriche ed elettroniche più vicino. Lo smaltimento deve essere eseguito in conformità alle normative locali vigenti per la salvaguardia dell'ambiente e lo smaltimento dei rifiuti. Per ulteriori informazioni sul trattamento, il recupero e il riciclaggio di questo prodotto, contattare l'unità territoriale competente per il servizio di smaltimento o il negozio in cui il prodotto è stato acquistato.



Questo prodotto è conforme alle Direttive Europee 2014/35/EU, 2014/30/EU e 2011/65/EU.

CANDY HOOVER GROUP S.r.l. Via Privata Eden Fumagalli, 20861 Brugherio (MB) Italy

COMPONENTI DELL'APPARECCHIO

- | | |
|---|--|
| A. Supporto a Parete* | S. Pulsante di sgancio del gruppo contenitore raccogli-polvere |
| B. Pulsante touch per il controllo di potenza | T. Batteria |
| C. Corpo principale dell'apparecchio | U. Spia led della batteria |
| D. Luce Led Auto | V. Ingresso per il caricabatteria |
| E. Pulsante di sblocco unità portatile | W. Pulsante di rilascio batteria |
| F. Tubo | X. Caricatore |
| G. Pulsante rilascio spazzola | Y. Accessorio 2in1 con spazzola larga per mobili e imbottiti* |
| H. Striscia LED frontali della spazzola | Z. 2in1 spazzola a pennello e bocchetta per fessure* |
| I. Corsore del coperchio per il rilascio del rullo | AA. Spazzola Mini Turbo* |
| J. Tappo per il rilascio del rullo | AB. Adattatore accessori* |
| K. Sportellino della spazzola | AC. Accessorio per termosifoni* |
| L. Rullo | AD. Spazzola per una pulizia profonda* |
| M. Interruttore ON/OFF | AE. Accessorio Multi-Funzione per la pulizia delle superfici alte* |
| N. Filtro pre-motore | AF. Bocchetta flessibile lunga per fessure* |
| O. Finder Vortex del ciclone | AG. Viti per supporto a parete* |
| P. Unità ciclonica | AH. Accessorio per la pulizia |
| Q. Contenitore raccogli-polvere | AI. Borsa accessori* |
| R. Pulsante di sgancio dello sportello del contenitore raccogli-polvere | |

PREPARAZIONE DELL'APPARECCHIO

- Inserire il tubo nella spazzola fino a sentire un "click" di posizionamento. **[1a]**
- Inserire l'unità del corpo principale nel tubo fino a sentire un "click" di posizionamento. **[1b]**
- Caricare completamente la batteria collegando la spina del connettore jack del caricatore alla batteria. **[2a]** Il tempo di ricarica è approssimativamente di 2,5 ore. È possibile caricare la batteria anche quando non è inserita nell'apparecchio. **[2b]** Durante la ricarica il LED della batteria si illumina di colore ROSSO e ritornerà di colore BIANCO a carica completamente terminata. **[3]**

NOTA: Premere il pulsante di rilascio spazzola per rimuovere la spazzola e staccarla dal corpo principale dall'apparecchio.

NOTA: Per ricaricare l'apparecchio, usare solo il caricatore in dotazione.

IMPORTANTE: Durante la ricarica l'apparecchio deve essere spento. È possibile caricare la batteria estraibile anche quando non è inserita nell'apparecchio. È normale che il caricatore si scaldi mentre è in funzione.

UTILIZZO DELL'APPARECCHIO

L'apparecchio ha tre modalità di funzionamento

- **MODALITÀ STANDARD:** All'accensione dell'interruttore accensione-spegnimento, l'apparecchio è pronto per pulire con la spazzola principale motorizzata o la mini turbospazzola motorizzata. **[4]**
- **MODALITÀ TURBO:** Premere il pulsante touch per il controllo di potenza sul corpo principale dell'apparecchio per azionare la piena potenza per una pulizia profonda. **[5]**

* Solo su alcuni modelli

• **MODALITÀ AUTOMATICA:** Quando la spazzola principale motorizzata o la mini turbospazzola vengono rimosse, l'apparecchio si adatterà automaticamente al livello più basso di potenza e si accenderanno i Led della Modalità Automatica. [6]

Se è richiesta più potenza per una pulizia più profonda, premere il pulsante turbo touch sul corpo principale e scegliere la modalità di potenza più adatta.

USO DELLA BATTERIA

Durante la pulizia la batteria si scarica e il LED sulla batteria è di colore bianco. Quando la carica della batteria è inferiore al 5% la spia LED bianca comincia a lampeggiare.

Se questo dovesse accadere, interrompere immediatamente la pulizia e ricaricare la batteria. [2]

Durante la ricarica l'apparecchio deve essere spento.

È possibile caricare la batteria anche quando non è inserita nell'apparecchio.

Il tempo di ricarica del prodotto è approssimativamente di 2,5 ore. Quando la ricarica sarà completa, il LED sulla batteria si illuminerà di bianco.

NOTA: È normale che il caricatore si scaldi mentre è in funzione. Usare solo il caricatore in dotazione.

SISTEMA DI PROTEZIONE

Al fine di salvaguardare l'affidabilità dell'apparecchio quando utilizzato in condizioni non corrette, il prodotto ha 2 sistemi di protezione integrati.

1. Il sistema di protezione di sicurezza entra in funzione quando il rullo ha un'ostruzione o è bloccato, se questo si verifica il rullo smetterà di ruotare e la striscia bianca frontale dei LED della spazzola lampeggerà 5 volte. [18] Se ciò dovesse accadere, spegnere semplicemente l'apparecchio e pulire il rullo dall'ostruzione. Per riprendere la pulizia, premere il pulsante on/off e l'apparecchio riprenderà a funzionare normalmente.

2. Il secondo sistema di protezione di sicurezza si attiva quando lo sportellino della spazzola non viene completamente chiuso prima dell'uso. Se lo sportellino è aperto, la spazzola non entra in funzione. Se ciò dovesse accadere, spegnere semplicemente l'apparecchio ed assicurarsi che lo sportellino della spazzola sia chiuso correttamente. Per riprendere la pulizia, premere il pulsante on/off e l'apparecchio riprenderà a funzionare normalmente.

ACCESSORI*

2IN1 SPAZZOLA A PENNELLO E BOCCHETTA PER FESSURE*, ACCESSORIO 2IN1 CON SPAZZOLA LARGA PER MOBILI E IMBOTTITI*, LANCIA FLESSIBILE LUNGA*, ACCESSORIO MULTI-FUNZIONE PER LA PULIZIA DELLE SUPERFICI ALTE * E SPAZZOLA MINI POWER*

Gli accessori elencati sopra possono essere inseriti direttamente nel corpo principale dell'apparecchio o nel tubo. [6]

NOTA: Per rimuovere la spazzola o il corpo principale dell'apparecchio dal tubo, premere il rispettivo pulsante di rilascio e separarli.

ACCESSORIO PER TERMOSIFONI * E SPAZZOLA PER UNA PULIZIA PROFONDA*

Per utilizzare questi 2 accessori è necessario assemblarli con l'adattatore* accessori. [6]

NOTA: La spazzola Mini Turbo è ideale per la pulizia profonda di tessuti (come ad esempio divani) e per rimuovere i peli degli animali domestici. Passarla avanti e indietro regolarmente. Dopo l'uso, prestare attenzione e se necessario, rimuovere con delle forbici eventuali capelli o fili aggrovigliati nella spazzola.

La bocchetta flessibile lunga per fessure è ideale per la pulizia di aree di difficile accesso, sotto i mobili e nelle automobili.

L'accessorio per termosifoni è ideale per la pulizia intorno e all'interno di armadi, radiatori e divani.

La spazzola per pulizia profonda è utile per pulire in spazi ristretti senza graffiarne le superfici e all'interno delle automobili.

L'accessorio multi-funzione è ideale per una facile pulizia di superfici delicate senza rovinarle e di aree difficili da raggiungere.

L'accessorio multi-funzione è composto da 3 pezzi base.

1. La bocchetta per fessure è ideale per la pulizia degli angoli o i punti difficili da raggiungere.

2. La spazzola a pennello è utile per pulire superfici delicate senza danneggiarle.

3. La spazzola per mobili è ideale per la pulizia degli imbottiti (come ad esempio divani).

BORSA ACCESSORI*

Gli altri accessori possono essere riposti nella apposita borsa.

ACCESSORIO PER LA PULIZIA

L'accessorio per la pulizia è ideale per pulire il sistema ciclonico, il contenitore raccogli-polvere e la spazzola.

SUPPORTO A MURO*

Fissare il supporto al muro utilizzando le viti fornite. [7]

* Solo su alcuni modelli

MANUTENZIONE DELL'APPARECCHIO

Svuotamento contenitore raccogli polvere

1. Premere il pulsante di rilascio dell'unità portatile e rimuovere il tubo. **[1b]**
2. Premere il pulsante di rilascio dello sportello del contenitore raccogli polvere per aprirlo e svuotarne il contenuto. **[8a]**
3. Chiudere lo sportello del contenitore raccogli polvere, si udirà un "click" quando completamente bloccato.

NOTA: Si consiglia di svuotare il contenitore raccogli polvere dopo ogni utilizzo o quando la polvere supera il livello di riempimento massimo.

Pulizia Veloce e Giornaliera del Contenitore Raccogli polvere

Basta aprire lo sportello del contenitore e rimuovere la polvere con l'aiuto dell'apposito accessorio.

Utilizzare l'estremità ad uncino per estrarre la polvere accumulata all'interno del contenitore. **[8b]**

Utilizzare l'estremità della spazzola per pulire la polvere più fine intrappolata nel sistema ciclonico. **[10b]**

NOTA: Si raccomanda di pulire il contenitore raccogli polvere dopo ogni uso.

Pulizia del contenitore raccogli polvere e del filtro

1. Premere il pulsante di rilascio tubo e rimuoverlo. **[1b]**
2. Premere il pulsante di rilascio dello sportello del contenitore raccogli polvere per aprirlo e svuotarne il contenuto. **[8]**
3. Chiudere lo sportello del contenitore raccogli polvere, si udirà un "click" quando completamente bloccato.
4. Premere il pulsante di rilascio della batteria per estrarla. **[2b]**
5. Premere il pulsante di rilascio sportello raccogli polvere situato sul retro e ruotarlo in senso antiorario, rimuovendolo dall'unità. **[9]**
6. Rimuovere il filtro pre-motore tirando la levetta del contenitore raccogli polvere. **[10]**
7. Estrarre l'unità ciclonica tirando l'anello metallico presente sul contenitore raccogli polvere. **[10]**
8. Tirare l'unità ciclonica singola e ruotare il condotto di uscita in senso antiorario, quindi estrarlo. **[11]**
9. Lavare il filtro e l'unità ciclonica in acqua tiepida e lasciare asciugare per 24 ore. **[12,13]**
10. Quando completamente asciutti, riassemblarli e riposizionarli nell'apparecchio. **[14,15,16,17]**

NOTA: Non utilizzare acqua bollente o detersivi durante la pulizia del filtro pre-motore. Se accidentalmente il filtro pre-motore viene danneggiato, sostituirlo con un ricambio originale Hoover.

Non tentare di utilizzare l'apparecchio senza filtro pre-motore inserito prima di montare il contenitore raccogli polvere sul corpo principale.

IMPORTANTE: Per mantenere prestazioni ottimali, tenere sempre il filtro pulito.

Pulizia del rullo e della spazzola

IMPORTANTE: Spegnerne sempre l'apparecchio prima di sostituire o pulire il rullo.

1. Staccare la spazzola dal tubo. **[19]**
2. Sposta il cursore verso destra e lo sportellino della spazzola si aprirà. **[20]**
3. Aprire completamente lo sportellino della spazzola per estrarre il rullo. **[20]**
4. Tenere il tappo per il rilascio del rullo, poi estrarre il rullo. **[21]**
5. Se è rimasto dello sporco nel rullo, rimuoverlo manualmente o aiutandosi con l'accessorio per la pulizia. **[22]**
6. Se c'è dello sporco nella spazzola o attorno al pettine, rimuoverlo utilizzando la spazzola dell'accessorio per la pulizia. **[23]**
7. Per assicurarsi che la spazzola sia completamente libera da ostruzioni, si raccomanda di capovolgerla e controllare anche il lato sotto. Se necessario, pulire questo lato utilizzando il gancio dell'accessorio per la pulizia in dotazione. **[24]**
8. Girare la spazzola nella posizione iniziale e rimontare il rullo. Il rullo può essere inserito in una sola direzione. Premere leggermente l'estremità del rullo per assicurarsi che sia in posizione. **[25]**
9. Chiudere lo sportellino premendolo al centro per bloccarlo fino a quando si udirà un "click". Verificare che lo sportellino sia completamente bloccato premendo su entrambi i lati. **[26]**

NOTA: Prima dell'utilizzo verificare che lo sportellino della spazzola sia chiuso correttamente. Se lo sportellino è aperto, la spazzola non entra in funzione.

Sostituzione delle batterie

L'apparecchio è dotato di un set batterie ricaricabili al litio che possono essere sostituite.

ATTENZIONE: Utilizzare solo parti di ricambio originali per il vostro apparecchio. L'uso di parti non originali Hoover può risultare pericoloso ed invalida la garanzia.

ATTENZIONE: Non tentare di aprire o riparare la batteria.

1. Premere il pulsante di rilascio batteria e tirare per estrarla. **[2b]**
2. Estrarre la vecchia batteria e sostituirla con una nuova.
3. Smaltire le batterie in sicurezza. Le batterie usate devono essere riposte in un centro di riciclaggio e non smaltite con i rifiuti domestici.

* Solo su alcuni modelli

RISOLUZIONE DEI PROBLEMI

In caso di problemi con l'apparecchio, completare questa semplice checklist utente prima di chiamare il Centro per l'Assistenza Clienti Hoover:

A. L'apparecchio non si accende

Controllare che l'apparecchio sia carico

Controllare che il set di batterie sia posizionato correttamente.

B. L'apparecchio smette di funzionare

Controllare se c'è un'ostruzione nel rullo, rimuoverla, assicurandosi che la batteria sia stata rimossa. Quindi premere semplicemente l'interruttore accensione/spengimento e l'apparecchio riprenderà a funzionare.

Svuotare il contenitore raccogli-polvere, lavare il filtro premotore, il condotto d'uscita del sistema ciclonico e l'unità ciclonica.

Rimuovere la spazzola e controllare il tubo per eventuali ostruzioni nel condotto.

C. Forza aspirante bassa o nulla

Svuotare il contenitore raccogli-polvere, lavare il filtro pre-motore e il sistema ciclonico.

Rimuovere la spazzola e controllare il tubo per eventuali ostruzioni nel condotto.

D. Le batterie non si caricano

Contattare un Centro per l'Assistenza Clienti Hoover per la sostituzione delle batterie.

Se il problema persiste, contattare il Centro per l'Assistenza Tecnica Hoover più vicino.

Potrebbe essere a causa di lunghi periodi di inutilizzo (oltre un semestre).

E. La spazzola non funziona

Verificare che lo sportellino della spazzola sia chiuso correttamente.

INFORMAZIONI IMPORTANTI

PARTI DI RICAMBIO E DI CONSUMO HOOVER

Utilizzare sempre parti di ricambio originali Hoover. che è possibile acquistare dal distributore locale Hoover o direttamente sul sito internet Hoover. Quando si ordinano delle parti di ricambio, ricordarsi sempre di fornire il numero di modello dell'apparecchio utilizzato.

ASSISTENZA E GARANZIA HOOVER

Questo prodotto è garantito, oltre che ai sensi di legge, alle condizioni e nei termini riportati sul certificato di garanzia convenzionale inserito nel prodotto. Il certificato dovrà essere conservato e mostrato al nostro Centro di Assistenza Tecnica Autorizzato, in caso di necessità, insieme allo scontrino comprovante l'acquisto dell'elettrodomestico. Puoi consultare le condizioni di garanzia anche sul nostro sito internet Per ottenere assistenza compila l'apposito form on-line oppure contattaci al numero che trovi indicato nella pagina di assistenza del nostro sito internet. Queste condizioni potrebbero venire modificate senza obbligo di preavviso.

INSTRUÇÕES PARA UMA UTILIZAÇÃO SEGURA

Este aparelho só deve ser utilizado para limpeza doméstica, conforme descrito neste guia do utilizador. Certifique-se de que este manual é totalmente compreendido antes de utilizar o aparelho.

Desligue sempre o aparelho e retire o carregador da tomada antes de limpar o aparelho ou efetuar qualquer tarefa de manutenção.

Este aparelho pode ser utilizado por crianças com idade igual ou superior a 8 anos e por pessoas com capacidades mentais, sensoriais e físicas reduzidas ou sem experiência e conhecimento caso lhes sejam fornecidas instruções e supervisão relativas à utilização do aparelho de modo seguro e caso compreendam os perigos envolvidos. As crianças não devem brincar com o aparelho. A limpeza e a manutenção não devem ser efetuadas por crianças sem supervisão.

Se o cabo de alimentação estiver danificado deixe de utilizar o aparelho imediatamente. Para evitar um risco de segurança, o cabo de alimentação deve ser substituído por um técnico de assistência autorizado da Hoover.

Utilize apenas o carregador original fornecido com o aparelho.

Verifique que a tensão de alimentação corresponde à indicada no carregador. Este eletrodoméstico da Hoover vem com um carregador de baterias duplamente isolado que é apenas adequado para alimentação elétrica de 230 V (240 V no Reino Unido).

Ligue o carregador a uma tomada elétrica adequada e ligue a ficha do carregador ao eletrodoméstico.

A luz LED do pack de baterias irá acender a VERMELHO durante o carregamento e irá acender a BRANCO quando totalmente carregado.

Volte a ligar o aparelho ao carregador depois da utilização para recarregar a bateria.

Nunca troque as baterias em temperaturas acima de 37°C ou abaixo de 0°C. É normal que o carregador aqueça enquanto estiver a carregar.

Desligue o carregador em caso de ausência prolongada (férias, etc.). Recarregue novamente o produto antes de utilizar, pois a bateria pode descarregar durante longos períodos de armazenamento.

Utilize apenas acessórios, consumíveis ou peças sobressalentes recomendadas ou fornecidas pela Hoover.

Eletricidade estática: Algumas alcatifas podem provocar uma pequena acumulação de eletricidade estática. A descarga de eletricidade estática não constitui qualquer perigo para a saúde. Mantenha as mãos, os pés, as roupas largas e o cabelo longe das escovas rotativas.

Não desligue o carregador puxando o cabo.

Não utilize o aparelho no exterior, em superfícies húmidas ou para aspirar líquidos. Não aspire objetos duros ou afiados, fósforos, cinzas quentes, pontas de cigarro ou outros itens semelhantes. Não pulverize nem aspire líquidos inflamáveis, líquidos de limpeza, aerossóis ou respetivos vapores. Não passe por cima do cabo de alimentação ao utilizar o aspirador nem retire a ficha puxando pelo cabo de alimentação. Não continue a utilizar o aparelho ou o carregador caso aparente estar defeituoso. Não utilize o aparelho para limpar pessoas ou animais. Não substitua as baterias por baterias não recarregáveis.

Assistência da Hoover: Para assegurar o funcionamento seguro e eficiente deste aparelho, recomendamos que todas as intervenções de assistência ou reparação sejam efetuadas apenas por um técnico de assistência autorizado da Hoover.

Eliminação do produto em fim de vida

Se for necessário eliminar o aparelho, primeiro retire as baterias. O aparelho deve ser desligado da fonte de alimentação ao remover a bateria. Elimine as baterias em segurança. Deixe o aparelho em funcionamento até parar devido ao facto de as baterias estarem completamente descarregadas. As pilhas usadas devem ser levadas para uma estação de reciclagem e não devem ser colocadas no lixo doméstico. Para remover as baterias, contacte o centro de apoio ao cliente da Hoover ou prossiga de acordo com as instruções seguintes.

IMPORTANTE: Descarregue, sempre, na totalidade as baterias antes de as remover.

Coloque o aspirador em funcionamento até a bateria estar totalmente descarregada. Remova a ficha de tomada do carregador do aparelho.

Prima os botões de libertação do pack de baterias e deslize para remover.

Nota: Caso experiencie qualquer dificuldade na desmontagem da unidade ou necessite de informações mais detalhadas sobre o trabalho, recuperação e reciclagem deste aparelho, contacte o departamento da sua cidade ou o serviço de eliminação de lixo doméstico.



Ambiente:

Este eletrodoméstico está marcado de acordo com o disposto na diretiva europeia 2011/65/EC relativa aos resíduos de equipamentos elétricos e eletrónicos (REEE). Ao garantir que este produto é eliminado de forma correta, estará a contribuir para evitar potenciais consequências negativas para o ambiente e a saúde humana, o que pode ocorrer devido a um tratamento inadequado dos resíduos deste produto. O símbolo no produto indica que este não pode ser tratado como resíduo doméstico. Pelo contrário, deve ser encaminhado para o ponto de recolha aplicável para reciclagem de equipamento elétrico e eletrónico. A eliminação deve ser realizada em conformidade com as leis ambientais locais relativas à eliminação de resíduos. Para obter informações mais detalhadas sobre o tratamento, recuperação e reciclagem deste produto, contacte as autoridades locais, o serviço de eliminação de resíduos domésticos ou a loja onde adquiriu o produto.



Este aparelho encontra-se em conformidade com as Diretivas Europeias 2014/35/UE, 2014/30/UE e 2011/65/UE.

CANDY HOOVER GROUP S.r.l. Via Privata Eden Fumagalli, 20861 Brugherio (MB) Italy

COMPONENTES DO PRODUTO

- | | |
|--|--|
| A. Montagem de parede* | S. Montagem do Botão de Abertura do Depósito de Pó |
| B. Controle de Energia de Toque | T. Conjunto de baterias |
| C. Corpo principal | U. Embalagem de bateria de luzes LED |
| D. Luz Led Automática | V. Entrada de carregamento do pack de bateria |
| E. Botão de libertação manual | W. Botão de libertação do conjunto de baterias |
| F. Tubo | X. Carregador |
| G. Botão de libertação da escova | Y. Utensílio 2 em 1 para pó e mobílias* |
| H. Faixa de LED frontal do bocal | Z. Ferramenta de remoção de pó e para fendas 2 em 1* |
| I. Deslizador da tampa de libertação da barra da escova | AA. Mini bocal de alimentação* |
| J. Tampa da extremidade de libertação da barra da escova | AB. Adaptador de acessórios* |
| K. Acessório para janelas | AC. Ferramenta para radiadores* |
| L. Barra da escova | AD. Escova de limpeza profunda* |
| M. Interruptor LIGAR/DESLIGAR | AE. Acessório Multifunções até ao Topo* |
| N. Filtro do pré-motor | AF. Ferramenta longa para fendas flexível* |
| O. Localizador em espiral de ciclone simples | AG. Parafusos de montagem na parede* |
| P. Sistema de Ciclone Único | AH. Acessório de limpeza |
| Q. Compartimento para o pó | AI. Saco para acessórios* |
| R. Botão de Abertura da Aba do Depósito de Pó | |

PREPARAR O SEU ASPIRADOR

1. Monte o tubo no bocal até ouvir um "clique", que significa que encaixou no sítio. **[1a]**
2. Monte a unidade da estrutura principal no tubo até ouvir um "clique", que significa que encaixou no sítio. **[1b]**
3. Carregue totalmente a bateria do aparelho ao ligar a ficha da tomada do carregador ao conjunto de baterias. **[2a]**
O tempo de carregamento é cerca de 2 h. Pode carregar o conjunto de baterias também quando está desligado do produto. **[2b]**
A luz LED do pack de baterias irá acender a VERMELHO durante o carregamento e irá acender a BRANCO quando totalmente carregado. **[3]**

NOTA: Para remover a escova, pressione o botão de libertação da escova e retire do corpo principal.

NOTA: Utilize apenas o carregador fornecido com o aspirador para recarregar.

IMPORTANTE: Ao carregar o aspirador tem de estar desligado. Também pode carregar o pack de bateria removível quando está removido do produto. É normal que o carregador aqueça enquanto estiver a carregar.

UTILIZAR O SEU APARELHO

Há três modos de trabalho

- **MODO STANDARD:** Quando pressiona o interruptor Ligado/Desligado, o aspirador está pronto para limpar completamente com o bocal motorizado principal ou com o bocal motorizado mini turbo. **[4]**
- **MODO TURBO:** Pressione o controle de energia de toque no corpo principal para alimentar totalmente o produto para tarefas difíceis de limpeza. **[5]**

* Apenas em alguns modelos

• **MODO AUTOMÁTICO:** Quando o bocal motorizado principal ou o Bocal Mini Turbo são removidos, o produto adapta-se automaticamente para o ajuste de potência mais baixo e acende a luz de Led Automática. [6]

Se for necessária mais energia para uma tarefa de limpeza mais difícil, pressione o botão de toque turbo no corpo principal para alternar entre os modos de energia disponíveis para se adequar às suas tarefas.

UTILIZAÇÃO DA BATERIA

Quando a bateria está descarregando durante a sessão de limpeza, o LED da bateria fica branco. Quando a capacidade da bateria é inferior a 5%, a luz LED BRANCA começa a piscar.

Quando isto acontecer, deve parar de limpar e recarregar imediatamente a sua bateria. [2]

Ao carregar o produto, o interruptor ligado/desligado deve estar DESLIGADO.

Pode carregar o conjunto de baterias também quando está desligado do produto.

O tempo de carregamento é cerca de 2.5 h. Quando a bateria estiver totalmente carregada, a luz LED na bateria apresentará uma cor branca.

NOTA: É normal que o carregador aqueça enquanto estiver a carregar. Utilize apenas o carregador fornecido com o aspirador.

SISTEMA DE PROTEÇÃO DE SEGURANÇA

Para garantir que a fiabilidade do produto não é afetada devido a utilização em condições exigentes, o produto possui 2 sistemas de proteção de segurança integrados.

1. O sistema de proteção de segurança atuará se a escova estiver bloqueada ou travada, uma vez acionada a escova parará de girar, a faixa de LED branca na frente do bico piscará 5 vezes. [18] Se tal acontecer, basta desligar o seu produto e limpar a obstrução da barra da escova rotativa. Para terminar a limpeza, pressione o botão ligado/desligado e o produto reinicia no modo normal.

2. O segundo sistema de Proteção de segurança entrará em ação se a janela do bico não estiver completamente fechada antes do uso. Se a janela estiver aberta, o bocal não liga. Se tal acontecer, basta desligar o seu produto e garantir que a janela da escova está completamente fechada. Para terminar a limpeza, pressione o botão ligado/desligado e o produto reinicia no modo normal.

ACESSÓRIOS*

FERRAMENTA DE REMOÇÃO DE PÓ E PARA FENDAS 2 EM 1*, UTENSÍLIO 2 EM 1 PARA PÓ E MOBÍLIAS*, FERRAMENTA LONGA PARA FENDAS FLEXÍVEL*, ACESSÓRIO MULTIFUNÇÕES ATÉ AO TOPO* E MINI ESCOVA ELÉTRICA*

Os acessórios indicados acima podem ser encaixados diretamente na unidade da estrutura principal ou tubo. [6]

NOTA: Para remover o bocal ou a unidade da estrutura principal do tubo, pressione o respetivo botão de libertação e puxe.

FERRAMENTA PARA RADIADORES* E ESCOVA DE LIMPEZA PROFUNDA*

O adaptador do acessório* tem de ser encaixado quando se utiliza estes 2 acessórios. [6]

NOTA: A mini escova turbo é ideal para a limpeza profunda de superfícies têxteis (ou seja, sofás) e remoção de pelos de animais. Desloque firmemente para trás e para a frente. Depois da utilização, retire os pelos/fios recolhidos da escova com uma tesoura, se necessário.

O acessório de fendas flexível longo é ideal para limpar áreas de difícil acesso, debaixo de móveis e no automóvel.

A ferramenta do radiador é ideal para limpar o interior e à volta dos armários, radiadores e sofás.

A escova de limpeza profunda é útil para limpar espaços apertados sem riscar as superfícies, e dentro do seu automóvel.

A ferramenta multifunções é projetada para limpar facilmente superfícies delicadas sem riscar e todas as áreas que são de difícil acesso. O acessório multifunções é feito de três partes principais.

1. O acessório para fendas é ideal para aceder a espaços apertados.
2. A escova de pó é ideal para limpar superfícies sem danificar ou arranhar.
3. O bocal de móveis é ideal para superfícies como o sofá.

SACO PARA ACESSÓRIOS*

Podem ser arrumados acessórios adicionais no saco de acessórios.

ACESSÓRIO DE LIMPEZA

A ferramenta de limpeza é útil para limpar o sistema de ciclone único, copo de pó e bico.

MONTAGEM DE PAREDE*

Pendure o suporte de parede à parede utilizando os dois parafusos incluídos no produto para pendurar o produto. [7]

* Apenas em alguns modelos

MANUTENÇÃO DO APARELHO

Despejar o depósito de pó

1. Prima o botão de libertação portátil e retire o tubo. **[1b]**
2. Pressione o botão de abertura da aba do depósito de pó para a libertar e esvaziar o conteúdo. **[8a]**
3. Feche a aba do compartimento para pó, ouvirá um clique quando estiver encaixado.

NOTA: É recomendado esvaziar o compartimento para pó depois de cada utilização ou quando o pó estiver até à linha máxima de enchimento.

Limpeza diária rápida do depósito de pó

Basta abrir a aba do depósito de pó e remover o pó com a ajuda da ferramenta de limpeza.

Utilize a extremidade do gancho para extrair o pó recolhido no interior do depósito de pó. **[8b]**

Use a ponta da escova para limpar a poeira fina presa ao redor do sistema de ciclone único. **[10b]**

NOTA: Recomenda-se limpar o coletor de pó após o esvaziamento.

Limpe o depósito de pó e o filtro

1. Prima o botão de libertação do tubo e retire o tubo. **[1b]**
2. Pressione o botão de abertura da aba do depósito de pó para a libertar e esvaziar o conteúdo. **[8]**
3. Feche a aba do compartimento para pó, ouvirá um clique quando estiver encaixado.
4. Pressione o botão para libertar a bateria e remova-a. **[2b]**
5. Prima o botão de abertura do depósito de pó localizado na parte de trás do depósito de pó e rode-o para a esquerda, puxando-o para fora da unidade. **[9]**
6. Retire o filtro do Pré-Motor puxando o apoio do depósito de pó. **[10]**
7. Retire o sistema de ciclone único puxando o anel metálico do depósito de pó. **[10]**
8. Puxe o sistema de ciclone único e rode o localizador em espiral de ciclone simples para a esquerda e depois retire-o. **[11]**
9. Lave o filtro e o sistema de ciclone simples com água morna e deixe secar durante 24 horas. **[12,13]**
10. Volte a montar assim que estiver completamente seco e volte a colocar no produto. **[14,15,16,17]**

NOTA: Não use água quente nem detergentes para limpar o filtro do pré-motor. No caso improvável de o filtro do pré-motor ficar danificado, utilize um sobressalente original da Hoover.

Não utilize o produto sem que o pré-filtro do motor seja montado antes de montar o depósito de pó na estrutura principal.

IMPORTANTE: Para um desempenho ideal, mantenha sempre o filtro limpo.

Limpeza da barra da escova e do bocal

IMPORTANTE: Desligue sempre o produto de limpeza antes de trocar e limpar a barra da escova rotativa.

1. Remova a escova do tubo. **[19]**
2. Mova o deslizador para a direita e a janela da escova abrir-se-á. **[20]**
3. Abra totalmente a janela da escova para remover a barra da escova híbrida. **[20]**
4. Segure a barra da escova rotativa. Solte a tampa da extremidade e remova a barra da escova rotativa. **[21]**
5. Se houver sujidade que resta na barra da escova, remova-a manualmente ou com a ajuda do acessório de limpeza. **[22]**
6. Se houver sujidade no interior da escova ou à volta do pente, remova-o utilizando a escova do acessório de limpeza. **[23]**
7. Para garantir que a escova esteja totalmente livre de quaisquer obstruções, vire a escova e verifique ao longo da área inferior. Se necessário, limpe esta área utilizando o gancho do acessório de limpeza fornecida. **[24]**
8. Rode a escova para a posição inicial e volte a montar a barra da escova. A barra da escova rotativa só pode ser inserida numa direção e pressione a extremidade ligeiramente para garantir que a barra da escova rotativa esteja no lugar. **[25]**
9. Feche a janela pressionando a área central da janela até ouvi-la “clicar” no lugar. Verifique se a janela está completamente bloqueada pressionando em ambos os lados. **[26]**

NOTA: Certifique-se de que a janela do bocal esteja completamente fechada antes de usar. Se a janela estiver aberta, o bocal não liga.

Substituição das baterias

Este aspirador está equipado com um pack de bateria de iões de lítio recarregável que pode ser substituído.

ATENÇÃO: Utilize apenas peças de substituição aprovadas para o aspirador. A utilização de peças não aprovadas pela Hoover é perigosa e irá tornar a sua garantia inválida.

ATENÇÃO: Não tente abrir o conjunto de baterias e repará-lo.

1. Pressione o botão de abertura da bateria e puxe a bateria para fora. **[2b]**
2. Retire a bateria antiga e substitua-a por uma bateria nova.
3. Elimine as baterias em segurança. As pilhas usadas devem ser levadas para uma estação de reciclagem e não devem ser colocadas no lixo doméstico.

* Apenas em alguns modelos

RESOLUÇÃO DE PROBLEMAS

Se tiver qualquer problema com o aspirador, siga esta lista de verificação simples antes de contactar o Centro de Assistência ao Cliente da Hoover:

A. O aspirador não liga

Verifique se o aspirador está carregado

Verifique se o pacote da bateria está montado no sítio certo.

B. O aspirador parou de trabalhar.

Verifique se há uma obstrução na escova, limpe-a e certifique-se de que a bateria seja removida. Assim que concluir, pressione o botão ligar/desligar, e o produto irá reiniciar novamente.

Esvazie o coletor de pó e lave o filtro pré-motor, Ciclone Único, Localizador de Vortex e separador de ciclone.

Remover o bocal e o tubo para verificar se existem bloqueios na conduta.

C. Perda de sucção ou sem sucção

Esvazie o depósito do pó e lave o filtro do pré-motor e o sistema de Ciclone Único.

Remover o bocal e o tubo para verificar se existem bloqueios na conduta.

D. Não é possível carregar a bateria

Contacte o serviço de apoio ao cliente da Hoover para que a bateria seja substituída.

Se o problema persistir, contacte o centro de assistência ao cliente da Hoover.

Isto pode dever-se a um período de armazenamento muito longo (mais de meio ano).

E. O bocal não funciona

Verifique se a janela do bico está completamente fechada.

PEÇAS SOBRESSALENTES E CONSUMÍVEIS HOOVER

Substitua sempre as peças por peças sobressalentes Hoover genuínas. Pode obtê-las junto do seu representante local ou diretamente da Hoover. Quando encomendar peças, mencione sempre o número do seu modelo.

A SUA GARANTIA

As condições de garantia para este aparelho são as definidas pelo nosso representante no país onde foi vendido. Pode obter detalhes sobre estas condições junto do agente a quem adquiriu o aparelho. A fatura de venda ou o recibo deverão ser entregues quando apresentar uma reclamação ao abrigo dos termos da garantia.

IMPORTANTE: A bateria existente no interior deste aspirador possui uma garantia de 6 meses a partir da data de compra. Depois de seis meses, o cliente é responsável pelo custo de uma nova bateria.

Sujeito a alteração sem aviso prévio.

INSTRUCCIONES PARA UN USO SEGURO

Este aparato solo debe utilizarse para la limpieza doméstica, como se describe en este manual de usuario. Asegúrese de haber comprendido todo el contenido de este manual antes de poner en funcionamiento el aparato.

Apague y quite el cargador de la toma de corriente antes de limpiar el aparato o de efectuar cualquier operación de mantenimiento.

Este aparato puede ser usado bajo supervisión por niños de 8 años en adelante o por personas con capacidades físicas, sensoriales o mentales reducidas o falta de experiencia con supervisión o con una explicación previa de las instrucciones con respecto al uso del aparato y comprendiendo los riesgos implicados. Los niños no deben jugar con el aparato. Los niños no deben limpiar ni dar mantenimiento sin supervisión.

Si el cable de alimentación está dañado, deje de utilizar el aparato inmediatamente. Para evitar riesgos de seguridad, el cable de alimentación sólo puede ser cambiado por un especialista de un Servicio Técnico Oficial de Hoover.

Utilice únicamente el cargador original suministrado con el aparato.

Controle que el voltaje de la corriente eléctrica sea el mismo que el indicado en el cargador. Este aparato Hoover se proporciona con un cargador de baterías con doble aislamiento que solo se puede conectar en una toma de corriente de 230V (240V en Reino Unido).

Enchufe el cargador en una toma de corriente adecuada y conecte la clavija del cargador al electrodoméstico.

La luz led del paquete de baterías se iluminará de color rojo durante la carga y se volverá de color BLANCO cuando la carga esté completa.

Conecte el cargador al electrodoméstico después del uso para recargar la batería.

Nunca cargue la batería a temperaturas superiores a los 37 °C o inferiores a 0 °C. Es normal que el cargador se caliente mientras se está cargando.

Desenchufe el cargador en caso de ausencias prolongadas (vacaciones, etc.). Vuelva a cargar el aparato nuevamente antes de usarlo, ya que la batería se podría descargar durante períodos de almacenamiento prolongados.

Utilice únicamente accesorios, consumibles o repuestos recomendados o distribuidos por Hoover.

Electricidad estática: Algunas alfombras pueden provocar una pequeña acumulación de electricidad estática. Las descargas estáticas no son peligrosas para la salud.

Mantener lejos de los cepillos rotatorios los pies, manos, ropa y cabellos.

No tire del cable para desenchufar el cargador.

No utilice el aparato al aire libre, en superficies húmedas o para recoger líquidos. No aspire objetos duros o afilados, cerillas, cenizas calientes, colillas de cigarrillo u objetos similares. No acompañe la limpieza con líquidos inflamables o aerosoles. No pase por encima del cable de alimentación cuando utilice el aparato ni lo desenchufe tirando del cable. No siga utilizando el electrodoméstico o el cargador si parece estar defectuoso. No utilice el aparato sobre personas ni animales. No sustituya las baterías por baterías no recargables.

Servicio Técnico Oficial de Hoover: Para garantizar el funcionamiento seguro, eficaz y duradero del aspirador, recomendamos que las tareas de mantenimiento sean realizadas exclusivamente por técnicos autorizados del Servicio Técnico Oficial de Hoover.

Cómo desechar el producto cuando se haya agotado su vida útil. Para desechar el aparato, primero es necesario extraer la batería. Cuando extraiga la batería, el electrodoméstico debe estar desconectado de la corriente eléctrica. Extraiga la batería de manera segura. Haga funcionar el electrodoméstico hasta que se detenga cuando la batería esté totalmente descargada. Las baterías usadas deben llevarse a un punto de reciclaje y no deben desecharse con los residuos domésticos. Para quitar la batería, contacte con el Servicio Técnico de Hoover o siga las siguientes instrucciones.

IMPORTANTE: Descargue siempre la batería completamente antes de desecharla.

Haga funcionar el aspirador hasta que las baterías estén completamente descargadas. Quite el conector jack del cargador del electrodoméstico.

Pulse los botones de desenganche del paquete de baterías y deslice para extraerlo.

Nota: Si llega a experimentar problemas al desmontar el aspirador o para obtener más información sobre el funcionamiento, la recuperación y el reciclaje de este electrodoméstico, contacte con su Ayuntamiento o con el servicio de recogida de residuos domésticos de su zona.

El Medio Ambiente:

Este aparato está marcado de acuerdo con la Directiva Europea 2011/65/EC sobre residuos de aparatos eléctricos y electrónicos (RAEE). Para cerciorarse de que este producto se elimine correctamente, usted ayudará a prevenir las posibles consecuencias perjudiciales para el medio ambiente y la salud humana que, de otro modo, podrían producirse en caso de un manejo inadecuado de los residuos de este producto. El símbolo que puede verse en el producto indica que éste no puede tratarse como residuo doméstico. En vez de esto debe entregarse en un punto de recogida de electrodomésticos para el reciclaje de equipos eléctricos y electrónicos. La eliminación debe llevarse a cabo según los reglamentos medioambientales locales sobre eliminación de residuos. Para información más detallada sobre cómo funciona la recogida y el reciclaje de este producto, póngase en contacto con su Ayuntamiento, su servicio de recogida de residuos domésticos o con el establecimiento donde haya comprado el producto.



Este aparato cumple con las Directivas europeas 2014/35/EU, 2014/30/EU y 2011/65/EU.

CANDY HOOVER GROUP S.r.l. Via Privata Eden Fumagalli, 20861 Brugherio (MB) Italy

COMPONENTES DEL PRODUCTO

- | | |
|---|--|
| A. SOPORTE DE PARED* | S. Botón de liberación del ensamblaje del depósito de suciedad |
| B. Control de alimentación táctil | T. Batería |
| C. Cuerpo principal | U. Luz led del paquete de baterías |
| D. Luz led automática | V. Entrada de carga del paquete de baterías |
| E. Botón de extracción del aspirador de mano. | W. Botón de desenganche del paquete de baterías |
| F. Tubo | X. Cargador |
| G. Botón desbloqueo del cepillo | Y. Accesorio largo 2en1 para polvo y muebles* |
| H. Banda LED frontal de boquilla | Z. Accesorio para polvo y rincones 2 en 1* |
| I. Deslizador de la tapa de liberación de la barra de cepillo | AA. Minitobera motorizada* |
| J. Tapa final de liberación de la barra de cepillo | AB. Adaptador de accesorios* |
| K. Ventana de la tobera | AC. Accesorio para radiador* |
| L. Barra de cepillo | AD. Cepillo para limpieza en profundidad* |
| M. Interruptor ENCENDIDO/APAGADO | AE. Accesorio multifunción para superficies elevadas* |
| N. Filtro pre-motor | AF. Accesorio largo flexible* |
| O. Conducto de salida del monociclón | AG. Tornillos del soporte de pared* |
| P. Sistema monociclón | AH. Herramienta de limpieza |
| Q. Depósito de suciedad | AI. Bolsa para accesorios* |
| R. Botón de liberación de la solapa del depósito de suciedad | |

PREPARACIÓN DEL ASPIRADOR

1. Monte el tubo en el cepillo principal hasta que encaje en su lugar y se oiga un "clic". **[1a]**
 2. Monte la unidad del cuerpo principal con el tubo hasta que encaje en su lugar y se oiga un "clic". **[1b]**
 3. Cargue completamente la batería del aparato conectando el conector del cargador al paquete de baterías. **[2a]**
- El tiempo de carga es de aproximadamente 2 horas. El paquete de baterías se puede cargar incluso cuando está desenganchado del electrodoméstico. **[2b]**
- La luz led del paquete de baterías se iluminará de color rojo durante la carga y se volverá de color BLANCO cuando la carga esté completa. **[3]**
- NOTA:** Para retirar el cepillo, presione el botón de desbloqueo del cepillo y retírelo del cuerpo principal.
- NOTA:** Solo utilice el cargador proporcionado con su aspirador para recargar la batería.
- IMPORTANTE:** Cuando se carga el aparato, debe estar apagado. El paquete de baterías extraíble se puede cargar incluso cuando está desenganchado del electrodoméstico. Es normal que el cargador esté caliente al tacto mientras se está cargando.

USO DEL APARATO

Hay tres modos de funcionamiento

- **MODO ESTÁNDAR:** Al pulsar el interruptor de encendido/apagado, el aspirador está listo para limpiar a fondo con la el cepillo principal motorizado o el cepillo mini turbo motorizado. **[4]**

* Disponible solo en algunos modelos

- **MODO TURBO:** Pulse el control de potencia táctil del cuerpo principal para dar toda la potencia en las tareas de limpieza más duras. [5]
- **MODO AUTOMÁTICO:** Cuando se retira el cepillo principal motorizado o el cepillo mini turbo, el producto se adapta automáticamente al ajuste de potencia más bajo y enciende la luz led auto. [6]
Si se necesita más potencia para una tarea de limpieza más difícil, pulse el botón táctil turbo del cuerpo principal para ir rotando por los modos de potencia disponibles para adaptarse a tus tareas.

USO DE LA BATERÍA

Cuando la batería se está descargando durante la sesión de limpieza, el LED de la batería se ilumina en blanco. Cuando la capacidad de la batería es inferior al 5% la luz led BLANCA comenzará a parpadear.

Cuando esto ocurra, debe dejar de limpiar y recargar inmediatamente la batería. [2]

Al cargar el producto, el interruptor de encendido/apagado debe estar apagado.

El paquete de baterías se puede cargar incluso sin estar conectado al aspirador.

El tiempo de carga es de aproximadamente 2.5 horas. Cuando la batería esté completamente cargada, la luz LED de la batería se iluminará en blanco.

NOTA: Es normal que el cargador esté caliente al tacto mientras se está cargando. Sólo utilice el cargador proporcionado con el aspirador.

SISTEMA DE PROTECCIÓN DE SEGURIDAD

Para asegurar que el electrodoméstico mantenga su fiabilidad si se usa en condiciones difíciles, el aparato está dotado de 2 sistemas de protección de seguridad integrados.

1. El sistema de protección de seguridad actuará si la barra de cepillo se atasca o bloquea, una vez que actúe la barra de cepillo dejará de girar, la franja LED blanca de la parte frontal de la boquilla parpadeará 5 veces. [18] Si esto sucede, apague el electrodoméstico y elimine la obstrucción de la barra de cepillo. Para reanudar la limpieza presione el botón de encendido/apagado y el electrodoméstico volverá a encenderse en modo normal.
2. El segundo sistema de protección de seguridad actuará si la ventana de la boquilla no está completamente cerrada antes de su uso. Si la ventana está abierta, la boquilla no se encenderá. Si esto ocurre, simplemente apague su producto y asegúrese de que la ventana de la boquilla está completamente cerrada. Para reanudar la limpieza presione el botón de encendido/apagado y el electrodoméstico volverá a encenderse en modo normal.

ACCESORIOS*

ACCESORIO PARA POLVO Y RINCONES 2 EN 1*, ACCESORIO LARGO PARA POLVO Y MUEBLES 2 EN 1*, Accesorio largo flexible*, ACCESORIO MULTIFUNCIONAL PARA SUPERFICIES ELEVADAS * Y MINITOBERA MOTORIZADA*

Los accesorios indicados anteriormente pueden encajarse directamente en la unidad del cuerpo principal o en el tubo. [6]

NOTA: Para extraer el cepillo o la unidad del cuerpo principal del tubo, pulse el botón de desbloqueo correspondiente y desprendala.

ACCESORIO PARA RADIADOR * Y CEPILLO PARA LIMPIEZA EN PROFUNDIDAD*

Cuando se utilicen estos 2 accesorios se debe encajar el adaptador* de accesorios. [6]

NOTA: El cepillo Mini Turbo es ideal para una limpieza profunda de los tejidos del hogar (p. ej. sofás) y para eliminar el pelo de las mascotas. Mueva constantemente hacia adelante y hacia atrás. Después del uso, elimine cabello/hilos recogidos en el cepillo, usando las tijeras si es necesario.

El accesorio largo y flexible para rincones es ideal para la limpieza de zonas difíciles de alcanzar, debajo de los muebles y en el coche.

La herramienta para radiadores es ideal para limpiar dentro y alrededor de los armarios, radiadores y sofás.

El cepillo para limpieza profunda es útil para limpiar espacios estrechos sin rayar las superficies y el interior del coche.

El accesorio multifunción está diseñado para limpiar fácilmente superficies delicadas sin rayarlas y todas las zonas difíciles de alcanzar. El accesorio multifunción está formado por tres partes fundamentales.

1. El accesorio para rincones es ideal para alcanzar espacios estrechos.
2. El cepillo para polvo es ideal para limpiar superficies sin dañarlas o rayarlas.
3. El accesorio para muebles es ideal para limpiar superficies como el sofá.

BOLSA PARA ACCESORIOS*

Los accesorios adicionales se pueden guardar en la bolsa para accesorios.

ACCESORIO DE LIMPIEZA

La herramienta de limpieza es útil para limpiar el sistema de ciclón único, el depósito de polvo y la boquilla.

* Disponible solo en algunos modelos

SOPORTE DE PARED*

Cuelgue el soporte de pared a la pared, utilizando los dos tornillos incluidos en el aparato para colgarlo. [7]

MANTENIMIENTO DEL APARATO**Vaciado del depósito de suciedad**

1. Pulse el botón de desenganche del aspirador extraíble y extraiga el tubo. [1b]
2. Presione el botón de liberación de la solapa del depósito de suciedad para liberar la tapa del depósito y vaciar el contenido. [8a]
3. Cierre la solapa del depósito de suciedad, cuando esté totalmente bloqueada se escuchará un clic.

NOTA: Se recomienda vaciar el depósito de suciedad después de cada uso o cuando la suciedad llegue a la línea de llenado máximo.

Limpeza cotidiana rápida del contenedor de polvo

Simplemente, abra la solapa del depósito de suciedad y elimine el polvo utilizando la herramienta de limpieza.

Utilice el extremo del gancho para extraer la suciedad recogida en el interior del depósito de suciedad. [8b]

Utilice el extremo del cepillo para limpiar el polvo fino pegado alrededor del sistema de ciclón. [10b]

NOTA: Se recomienda limpiar el depósito de polvo después de vaciarlo.

Limpeza del depósito y el filtro

1. Presione el botón de desenganche del tubo y extraiga dicho tubo. [1b]
2. Presione el botón de liberación de la solapa del depósito de suciedad para liberar la tapa del depósito y vaciar el contenido. [8]
3. Cierre la solapa del depósito de suciedad, cuando esté totalmente bloqueada se escuchará un clic.
4. Pulse el botón de desenganche de la batería y extraiga el paquete de baterías. [2b]
5. Presione el botón de liberación del depósito de suciedad situado en la parte trasera del depósito de suciedad y gírelo en sentido contrario a las agujas del reloj alejándolo de la unidad. [9]
6. Retire el prefiltro del motor tirando del soporte del depósito de suciedad. [10]
7. Retire el sistema monociclón tirando del anillo de metal del depósito de suciedad. [10]
8. Tire del sistema monociclón y gírelo en sentido contrario a las agujas del reloj y después sáquelo. [11]
9. Lave el filtro y el sistema monociclón con agua tibia y deje secar durante 24 horas. [12,13]
10. Colóquelo de nuevo en el aspirador una vez esté completamente seco. [14,15,16,17]

NOTA: No utilice agua caliente o detergentes para limpiar el filtro pre-motor. En el caso poco probable de que el filtro pre-motor se dañe, utilice un repuesto original Hoover.

No utilice el producto sin el prefiltro del motor instalado antes de montar el depósito de suciedad en el cuerpo principal.

IMPORTANTE: Para obtener un rendimiento óptimo, mantenga siempre limpio el filtro.

Limpeza de la barra de cepillo y de la tobera

IMPORTANTE: Siempre apague el aspirador antes de cambiar y limpiar la barra cepillo.

1. Extraiga la tobera del tubo. [19]
2. Mueva el deslizador hacia la derecha y la ventana de la tobera se abrirá. [20]
3. Abra completamente la ventana de la tobera para quitar la barra de cepillo híbrida. [20]
4. Sujete la tapa del extremo de liberación de la barra de cepillo y retire la barra de cepillo. [21]
5. Si quedan restos de suciedad en la barra de cepillo, elimínelos manualmente o con la ayuda de la herramienta de limpieza. [22]
6. Si hay restos de suciedad dentro de la tobera o alrededor del peine, elimínelos con el cepillo de la herramienta de limpieza. [23]
7. Para asegurarse de que la tobera esté completamente libre de obstrucciones, voltee la tobera y verifique a lo largo del área inferior. De ser necesario, limpie esta área con el gancho de la herramienta de limpieza provista. [24]
8. Gire la tobera a la posición inicial y vuelva a colocar la barra de cepillo. La barra de cepillo solo puede encajar en una dirección, presione ligeramente el extremo para asegurarse de que la barra de cepillo está en su sitio. [25]
9. Cierre la ventana presionando la zona central de la misma hasta que oiga que hace "clic" al encajar en su sitio. Compruebe que la ventana está completamente bloqueada presionando en ambos lados. [26]

NOTA: Asegúrese de que la ventana de la boquilla está completamente cerrada antes de usarla. Si la ventana está abierta, la boquilla no se encenderá.

Reemplazar las baterías

Este aspirador está dotado de un paquete de baterías recargables de ion-litio, que es reemplazable.

ADVERTENCIA: Utilice únicamente piezas de repuesto aprobadas para su aspirador. El uso de piezas no homologadas por Hoover es peligroso e invalidará su garantía.

ADVERTENCIA: No trate de abrir la batería ni de repararla por su cuenta.

* Disponible solo en algunos modelos

1. Pulse el botón de desenganche de la batería y tire para extraer el paquete de baterías. [2b]
2. Extraiga el viejo paquete de baterías y sustitúyalo con el nuevo.
3. Extraiga la batería de manera segura. Las baterías usadas deben llevarse a un punto de reciclaje y no deben desecharse con los residuos domésticos.

RESOLUCIÓN DE PROBLEMAS

Si tiene algún problema con su aspirador, siga esta simple lista de verificación antes de llamar al Servicio Técnico de Hoover:

A. El aspirador no se enciende

Verifique si el aspirador está cargado.

Verifique si el paquete de baterías está montado correctamente.

B. El aspirador deja de funcionar

Compruebe si hay alguna obstrucción en la barra de cepillo, límpiela y asegúrese de que el paquete de baterías está retirado. Una vez hecho esto, simplemente presione el interruptor ON/OFF, el producto se reiniciará de nuevo.

Vacíe el depósito de polvo y lava el filtro premotor, el ciclón simple, el buscador de vórtices y el separador ciclónico.

Retire la boquilla y el tubo, compruebe si hay alguna obstrucción en el conducto.

C. Pérdida de potencia de aspiración o succión.

Vacíe el depósito de suciedad y lave el filtro pre-motor y el sistema monociclón.

Retire la boquilla y el tubo, compruebe si hay alguna obstrucción en el conducto.

D. Las baterías no se pueden cargar

Comuníquese con el servicio técnico oficial de Hoover para solicitar un reemplazo de baterías.

Si el problema continúa, contacte con el servicio técnico de Hoover.

Este puede ser el resultado de periodos de almacenamiento muy prolongados (más de 6 meses).

E. La boquilla no funciona

Compruebe si la ventana de la boquilla está completamente cerrada.

PIEZAS DE REPUESTO Y CONSUMIBLES HOOVER

Utilice siempre piezas de repuesto originales de Hoover. Puede adquirirlas a través de su Servicio Técnico Oficial de Hoover. Cuando realice pedidos de piezas, indique siempre el número de serie del producto.

GARANTÍA

Las condiciones de garantía para este aparato vienen definidas por nuestro representante en el país de venta. Puede obtener los detalles acerca de estas condiciones en el establecimiento donde haya comprado este aparato. Debe mostrarse la factura de compra o el tíquet al hacer alguna reclamación en virtud de las condiciones de garantía.

IMPORTANTE: La batería de este producto tiene una garantía de 6 meses a partir de la fecha de compra. Tras los 6 meses desde la fecha de compra, el coste de una nueva batería está a cargo del cliente.

Sujeto a cambios sin previo aviso.

INSTRUCTIES VOOR VEILIG GEBRUIK

Dit toestel mag enkel gebruikt worden voor reiniging in het huis, zoals beschreven in deze handleiding. Zorg ervoor dat u de handleiding volledig begrijpt voordat u het apparaat in gebruik neemt.

Oplader altijd afzetten en stekker uit het stopcontact halen voor u het toestel schoonmaakt of enige andere onderhoudstaak verricht.

Dit toestel kan gebruikt worden door kinderen vanaf 8 jaar en personen met verminderde lichamelijke, zintuiglijke of mentale capaciteiten. Ook personen met een gebrek aan ervaring of kennis kunnen dit toestel gebruiken, indien ze toezicht of instructies hebben gekregen over het veilig gebruik van het toestel en de gevaren in kwestie begrijpen. Kinderen mogen niet met het toestel spelen. Reinigings- en gebruikersonderhoud mag niet uitgevoerd worden door kinderen zonder toezicht.

Indien het stroomsnoer beschadigd is, stop dan onmiddellijk met het toestel te gebruiken. Om veiligheidsrisico's te voorkomen, moet de kabel worden vervangen door een erkend monteur van Hoover.

Gebruik alleen de oplader die oorspronkelijk bij het toestel geleverd is.

Controleer of uw netspanning dezelfde is als deze vermeld op de lader. Dit Hoover-apparaat is voorzien van een dubbel geïsoleerde batterijoplader, die alleen geschikt is om in een 230V (UK 240V) stopcontact te steken.

Steek de oplader in een geschikt stopcontact en steek de aansluitingstekker van de oplader in het apparaat.

Het LED-lampje van het batterijpakket gaat tijdens het opladen ROOD branden en wordt WIT als het volledig is opgeladen.

Sluit het toestel na gebruik weer aan op de lader om de batterij op te laden.

Laad de batterijen niet op bij temperaturen boven 37°C of onder 0°C. Het is normaal dat de lader warm wordt bij het opladen.

Haal bij langere afwezigheid (vakanties, etc.) de oplader uit het stopcontact. Laad het product opnieuw op voor gebruik, aangezien batterijen uit zichzelf kunnen ontladen tijdens langere opslagperiodes.

Gebruikenkeltoebehoren,gebruiksartikelenofreserveonderdelen die door Hoover aanbevolen of geleverd worden.

Statische elektriciteit: sommige tapijten kunnen een kleine opbouw van statische elektriciteit veroorzaken. Ontladingen van statische elektriciteit zijn onschadelijk voor uw gezondheid.

Houd handen, voeten, losse kleding en haar uit de buurt van roterende borstels.

Haal de oplader niet uit het stopcontact door aan het stroomsnoer te trekken.

Gebruik uw toestel nooit buiten, op natte oppervlaktes of op een vochtige ondergrond. Raap geen harde of scherpe objecten op zoals lucifers, hete assen, sigaretten of andere gelijkaardige items. Spuit niet met ontvlambare vloeistoffen, reinigingsvloeistoffen, aerosols of hun dampen en zuig ze ook niet op. Loop niet over het stroomsnoer wanneer u het toestel gebruikt of verwijder de stekker niet door aan het stroomsnoer te trekken. Gebruik uw apparaat of oplader niet als deze defect blijkt te zijn. Gebruik het toestel niet om dieren of mensen te reinigen. Vervang de batterijen niet met onoplaadbare batterijen.

Hoover service: Om de veilige en doeltreffende werking van het apparaat te verzekeren, adviseren wij om onderhoud of reparaties alleen door een erkende onderhoudsmonteur van Hoover te laten uitvoeren.

Einde van de levensduur van het product

In het geval dat u het apparaat weg doet, dienen de batterijen eerst verwijderd te worden. Bij het verwijderen van de batterij moet het apparaat ontkoppeld zijn van het net. Gooi de batterijen veilig weg. Laat het apparaat doorwerken totdat het stopt en de batterijen volledig ontladen zijn. Gebruikte batterijen moeten naar een recyclagecentrum gebracht worden en mogen niet bij het huishoudelijk afval weggegooid worden. Om de batterijen te verwijderen neem contact op met de Hoover klantendienst, of ga verder volgens deze instructies.

BELANGRIJK: Maak de batterijen helemaal leeg voordat u ze verwijdert.

Laat de reiniger draaien totdat de batterijen helemaal leeg zijn. Verwijder de stekker van de oplader uit het toestel.

Druk op de ontgrendelingsknoppen van de batterij en schuif deze eruit om te verwijderen.

Opmerking: Mocht u enige problemen ondervinden met het uit elkaar halen van het voorwerp, of voor meer gedetailleerde informatie over behandeling, herstel en recyclage van dit apparaat, neem contact op met uw lokale gemeente of de afvalreinigingsdienst.

Het milieu:

Dit toestel is conform de Europese richtlijn 2011/65/EC betreffende afgedankte elektrische en elektronische apparatuur (AEEA) gemarkeerd. Door dit product aan het einde van de levensduur op verantwoorde wijze weg te gooien, voorkomt u mogelijke negatieve gevolgen voor het milieu en de gezondheid, die zouden kunnen ontstaan door een onverantwoorde afvalverwerking van dit product. Het symbool op dit product geeft aan dat het niet mag worden beschouwd als huishoudelijk afval. In plaats daarvan moet u het inleveren bij een inzamelpunt voor het recyclen van elektrische en elektronische apparatuur. U moet het toestel weggooien in overeenstemming met de lokale voorschriften voor afvalverwerking. Voor meer informatie over verwerking, hergebruik en recyclen van dit product, kunt u contact opnemen met uw lokale overheid, uw afvalverwerkingsbedrijf of de winkel waar u het product heeft gekocht.



Dit toestel voldoet aan de Europese Richtlijnen 2014/35/EU, 2014/30/EU en 2011/65/EU.

CANDY HOOVER GROUP S.r.l. Via Privata Eden Fumagalli, 20861 Brugherio (MB) Italy

PRODUCTONDERDELEN

- | | |
|--|---|
| A. Wandhouder* | S. Ontgrendelingsknop stofbak |
| B. Aanraakbediening | T. Batterijpak |
| C. Romp | U. Led-lampje batterij |
| D. Auto LED Verlichting | V. Laadingang batterijpak |
| E. Vrijgaveknop handgreep | W. Ontgrendelingsknop batterij |
| F. Buis | X. Oplader |
| G. Ontgrendelingsknop mondstuk | Y. 2 in 1 grote stof- en meubelborstel* |
| H. LED-strip vooraan mondstuk | Z. 2 IN 1 Kieren- en Stofmondstuk* |
| I. Schuifregelaar Ontgrendeling Borstelstaaf | AA. Mini-powermondstuk* |
| J. Eindkap Ontgrendeling Borstelstaaf | AB. Accessoire adapter* |
| K. Mondstuk opening | AC. Radiatorborstel* |
| L. Borstelstaaf | AD. Grondige reinigingsborstel* |
| M. AAN/UIT knop | AE. Multifunctioneel opzetstuk* |
| N. Pre-motor filter | AF. lange flexibele kierenzuiger* |
| O. Enkele Cyclonische Vortex Finder | AG. Schroeven wandhouder* |
| P. Enkel Cycloonsysteem | AH. Reinigingsgereedschap |
| Q. Stofreservoir | AI. Zak voor accessoires* |
| R. Ontgrendelingsknop stofbakklep | |

UW STOFZUIGER IN ELKAAR ZETTEN

1. Monteer de buis op het mondstuk totdat u het op zijn plaats hoort "klikken". **[1a]**
2. Monteer de hoofdbehuizing op de buis totdat deze op zijn plaats "klikt". **[1b]**
3. Laad de batterij van het apparaat volledig op door de stekker van de oplader op het batterijpakket aan te sluiten. **[2a]**
De laadtijd bedraagt ongeveer 2 uur. De accu kan ook los van het apparaat worden opgeladen. **[2b]**
Het LED-lampje van het batterijpakket gaat tijdens het opladen ROOD branden en wordt WIT als het volledig is opgeladen. **[3]**

OPMERKING: Om het mondstuk te verwijderen drukt u op de ontgrendelingsknop van het mondstuk en maakt u het los van de romp.

OPMERKING: Gebruik uitsluitend de bijgeleverde oplader om de stofzuiger op te laden.

BELANGRIJK: Tijdens het opladen moet de reiniger uitgeschakeld worden. U kunt de verwijderbare batterij ook opladen wanneer deze uit het product is verwijderd. Het is normaal dat de lader warm wordt bij het opladen.

UW STOFZUIGER GEBRUIKEN

Er zijn drie werkwijzen

- **STANDAARD MODUS:** Wanneer u op de schakelaar Aan/Uit drukt, is de reiniger klaar om grondig te reinigen met het gemotoriseerde hoofdmondstuk of het gemotoriseerde mini-turbomondstuk. **[4]**
- **TURBO MODUS:** Druk op de aanraakbediening op de hoofdbehuizing om het product volledig van stroom te voorzien voor zware reinigingstaken. **[5]**

* Alleen bepaalde modellen

• **AUTO MODUS:** Wanneer het gemotoriseerde hoofdmondstuk of de mini-turbomondstuk wordt verwijderd, past het product zich automatisch aan de laagste vermogensinstelling aan en wordt het automatische led-lampje ingeschakeld. [6] Als er meer vermogen nodig is voor een zwaardere schoonmaaktaak, druk dan op de turbo-aanraakknop op het hoofdgedeelte om door de beschikbare vermogensmodi te draaien die bij uw taken passen.

GEBRUIK BATTERIJEN

Wanneer de batterij tijdens de reinigingssessie ontlaaft, is de LED van het batterijpakket wit. Wanneer de batterijcapaciteit lager is dan 5%, begint het witte LED-lampje te knipperen.

Als dit gebeurt, moet u stoppen met reinigen en uw batterij onmiddellijk opladen. [2]

Bij het opladen van het product moet de schakelaar aan/uit op OFF staan.

De accu kan ook los van het apparaat worden opgeladen.

De laadtijd bedraagt ongeveer 2,5 uur. Wanneer de batterij volledig is opgeladen, gaat het LED-lampje op de batterij wit branden.

OPMERKING: Het is normaal dat de lader warm wordt bij het opladen. Gebruik alleen de oplader die bij uw reiniger is meegeleverd.

VEILIGHEIDSSYSTEEM

Het product heeft twee veiligheidsvoorzieningen om te zorgen dat het goed blijft werken, ook onder zware omstandigheden.

1. Het veiligheidsbeveiligingssysteem treedt in werking als de borstelbalk een verstopping heeft of vergrendeld is. Zodra actie wordt ondernomen, stopt de borstel met draaien, de witte LED-strip op de voorkant van het mondstuk knippert 5 keer. [18] Als dit gebeurt, schakelt u gewoon uw product uit en verwijdert u de obstructie van de borstelstaaf. Om opnieuw te beginnen reinigen, druk op de on/off-knop en het product zal in normale modus terug beginnen werken.
2. Het tweede veiligheidssysteem treedt in werking als het venster van het mondstuk niet volledig gesloten is voor gebruik. Als het raam open staat, gaat het mondstuk niet aan. Als dit gebeurt, schakelt u gewoon uw product uit en zorgt u ervoor dat het venster van het mondstuk goed gesloten is. Om opnieuw te beginnen reinigen, druk op de on/off-knop en het product zal in normale modus terug beginnen werken.

ACCESSOIRES*

2 IN 1 KIEREN- EN STOFMONDSTUK*, 2 IN 1 GROTE STOF- EN MEUBELBORSTEL*, LANGE FLEXIBELE KIERENZUIGER*, MULTIFUNCTIONEEL OPZETSTUK * EN MINI POWER MONDSTUK*

De bovenstaande accessoires kunnen rechtstreeks in de hoofdbehuizing of de bus worden gemonteerd. [6]

OPMERKING: Om het mondstuk of de hoofdbehuizing van de bus te verwijderen, drukt u op de betreffende ontgrendelingsknop en trekt u deze uit elkaar.

RADIATORBORSTEL * EN GRONDIGE REINIGINGSBORSTEL *

Bij gebruik van deze 2 accessoires moet de accessoire-adapter * worden aangebracht. [6]

OPMERKING: Het mini-turbo mondstuk is ideaal voor het grondig reinigen van textiele oppervlakken (zoals banken) en het verwijderen van haar van huisdieren. Beweeg de reiniger gelijkmatig heen en weer. Verwijder na gebruik haren en/of draden die op de borstel zitten, indien nodig met een schaar.

De lange, flexibele kierenzuiger is ideaal voor het reinigen van moeilijk te bereiken plaatsen, zoals onder meubels of in de auto.

Het radiatorgereedschap is ideaal voor het reinigen van binnen- en rondom kasten, radiatoren en banken.

De diepreinigende borstel is handig voor het schoonmaken van nauwe ruimtes zonder risico op krassen, zoals in de auto.

Het multifunctionele mondstuk is ontworpen om kwetsbare en moeilijk te bereiken oppervlakken gemakkelijk te reinigen zonder risico op krassen. Het multifunctionele mondstuk bestaat uit drie hoofd delen.

1. Kierenmondstuk voor het bereiken van nauwe ruimtes.
2. Stofborstel voor het reinigen van oppervlakken zonder risico op beschadiging of krassen.
3. Meubelmondstuk voor het reinigen van oppervlakken zoals bankstellen.

ACCESSOIRE ZAK*

Overige toebehoren kunnen in de zak voor accessoires bewaard worden.

REINIGINGSGEREEDSCHAP

Het reinigingsgereedschap is handig om het enkele cycloonsysteem, de stofbeker en het mondstuk te reinigen.

WANDHOUDER*

Hang de muurhouder aan de wand, gebruik de twee schroeven die bij het product zijn geleverd om het product op te hangen. [7]

* Alleen bepaalde modellen

ONDERHOUD STOFZUIGER

Het stofreservoir legen

1. Druk op de ontgrendelingsknop op het draagbare gedeelte en verwijder de buis. **[1b]**
2. Druk op de ontgrendelingsknop van de stofbekerklep om de stofbekerklep te ontgrendelen en de inhoud te legen. **[8a]**
3. Sluit de klep van de stofreservoir, je hoort een klink als deze volledig vergrendeld is.

OPMERKING: Het is aangeraden om het stofreservoir te ledigen na elk gebruik of als het stof tot de maximale vullijn komt.

Snelle dagelijkse reiniging van de stofbak

Open gewoon de klep van de stofbak en verwijder het stof met behulp van het reinigingsgereedschap.

Gebruik het haakuiteinde om het stof dat in de stofbak zit eruit te trekken. **[8b]**

Gebruik het borsteluiteinde om het fijne stof te verwijderen dat rond het enkele cycloonsysteem vastzit. **[10b]**

OPMERKING: Het wordt aanbevolen om de stofbak na het legen schoon te maken.

Maak het stofreservoir en de filter schoon

1. Druk op de ontgrendelingsknop van de buis en verwijder de buis. **[1b]**
2. Druk op de ontgrendelingsknop van de stofbekerklep om de stofbekerklep te ontgrendelen en de inhoud te legen. **[8]**
3. Sluit de stofreservoir klep, je hoort een klink als deze volledig vergrendeld is.
4. Druk op de ontgrendelingsknop van de batterij en verwijder de batterij. **[2b]**
5. Druk op de ontgrendelingsknop van de stofbak aan de achterkant van de stofbak en draai deze tegen de klok in en trek hem weg van het apparaat. **[9]**
6. Verwijder het pre-motorfilter door de steun van de stofbak te trekken. **[10]**
7. Verwijder het enkele cycloonsysteem door de metalen ring van de stofbak te trekken. **[10]**
8. Trek aan het enkele cycloon-systeem en draai de enkele cycloon-vortexzoeker tegen de klok in en haal hem er dan uit. **[11]**
9. Was het filter en het enkele cycloonsysteem in lauw water en laat 24 uur drogen. **[12,13]**
10. Zet opnieuw in elkaar wanneer deze helemaal droog is en bevestig deze weer aan het product. **[14,15,16,17]**

OPMERKING: Gebruik geen heet water of reinigingsmiddelen bij het reinigen van het voormotorfilter. In het onwaarschijnlijke geval dat het voormotorfilter wordt beschadigd, gebruikt u een origineel Hoover-reserveonderdeel.

Gebruik het product niet zonder dat het voormotorfilter is aangebracht voordat u de stofbeker op de behuizing hebt gemonteerd.

BELANGRIJK: Houd uw filter altijd proper voor optimale prestaties.

Reinig de borstel en het mondstuk

BELANGRIJK: Schakel de reiniger altijd uit voordat u de teleradiograaf vervangt en reinigt.

1. Verwijder het mondstuk uit de buis. **[19]**
2. Verplaats de schuifregelaar naar rechts en de opening van het mondstuk zal open gaan. **[20]**
3. Open het venster van het mondstuk volledig om de hybride borstel te verwijderen. **[20]**
4. Houd de borstelstaaf vast. Maak de eindkap los en verwijder de borstelstaaf. **[21]**
5. Als er nog vuil in de borstel zit, verwijder dit dan handmatig of met behulp van het reinigingsgereedschap. **[22]**
6. Als er vuil in het mondstuk of rond de kam zit, verwijder dit dan met de borstel van het reinigingsgereedschap. **[23]**
7. Om er zeker van te zijn dat het mondstuk volledig vrij is van obstakels, draait u het mondstuk om en controleert u het langs de onderkant. Reinig dit gebied indien nodig met de haak van het meegeleverde reinigingsgereedschap. **[24]**
8. Draai het mondstuk naar de aanvankelijke positie en monteer de borstel terug. De borstelstaaf kan maar in één richting passen; druk lichtjes op het uiteinde om ervoor te zorgen dat de borstelstaaf op zijn plaats zit. **[25]**
9. Sluit het venster door op het middelste gedeelte van de opening te drukken totdat u het op zijn plaats hoort "klikken". Controleer of het mondstuk volledig is vergrendeld door aan beide zijden te drukken. **[26]**

OPMERKING: Zorg ervoor dat het mondstukvenster voor gebruik volledig gesloten is. Als het raam open staat, gaat het mondstuk niet aan.

Batterijen vervangen

Deze reiniger is uitgerust met een oplaadbaar lithium-ionbatterijpak dat kan worden vervangen.

WAARSCHUWING: Gebruik alleen erkende vervangingsonderdelen voor uw toestel. Het gebruik van niet door Hoover gevalideerde onderdelen maakt uw garantie ongeldig.

WAARSCHUWING: Het batterijpak niet openen om het zelf proberen te repareren.

1. Druk op de ontgrendelingsknop van de batterij en trek de batterij naar buiten. **[2b]**
2. Verwijder het oude batterijpak en vervang deze met het nieuwe batterijpak.
3. Gooi de batterijen veilig weg. Gebruikte batterijen moeten naar een recyclagecentrum gebracht worden en mogen niet bij het huishoudelijk afval weggegooid worden.

* Alleen bepaalde modellen

WAT TE DOEN BIJ PROBLEMEN

Mocht u problemen hebben met uw reiniger, volg dan eerst deze eenvoudige checklist voordat u het Hoover-klantenservicecentrum belt:

A. De stofzuiger gaat niet aan

Controleer of de reiniger is opgeladen
Controleer of de batterij op zijn plaats zit.

B. Het apparaat werkt niet meer

Controleer of er een obstructie in de borstel zit, verwijder deze en zorg ervoor dat de accu verwijderd is. Zodra dit is gebeurd, drukt u op de aan-uitknop om het apparaat weer in te schakelen.
Leeg de stofbak en was het voormotorfilter, de enkele cycloon, de vortexzoeker en de cycloonafscheider.
Verwijder het mondstuk en de buis en controleer op eventuele verstoppingen in het kanaal.

C. Verminderde of helemaal geen zuigkracht

Maak de stofbak leeg en was het pre-motorfilter en de cycloonsysteem.
Verwijder het mondstuk en de buis en controleer op eventuele verstoppingen in het kanaal.

D. Batterijen kunnen niet worden opgeladen

Neem contact op met de Hoover-klantenservice om vervanging van de accu te regelen.
Indien het probleem aanhoudt, neem contact op met het Hoover-klantenservicecentrum.
Dit zou het resultaat kunnen zijn van een zeer lange opberg periode (meer dan 6 maanden).

E. Het mondstuk werkt niet.

Controleer of het mondstukvenster volledig gesloten is.

HOOVER RESERVEONDERDELEN EN GEBRUIKSARTIKELEN

Gebruik uitsluitend originele reserveonderdelen van Hoover. Deze zijn verkrijgbaar bij uw Hoover dealer. Als u onderdelen bestelt, vermeld dan altijd het modelnummer.

UW GARANTIE

De garantievoorwaarden voor dit toestel worden bepaald door onze vertegenwoordiger in het land waar het toestel wordt verkocht. Details omtrent deze voorwaarden zijn verkrijgbaar bij de dealer waar u het toestel hebt gekocht. Wanneer u aanspraak wilt maken op deze garantie, dan moet u het verkoop- of ontvangstbewijs voorleggen.

BELANGRIJK: De batterij in deze reiniger heeft een garantie gedurende 6 maanden vanaf de aankoop. Na 6 maanden worden de kosten van een nieuwe accu door de klant betaald.

Wijzigingen zijn zonder voorafgaande kennisgeving mogelijk.

INSTRUKTIONER FOR SIKKER ANVENDELSE

Denne støvsuger må kun anvendes til almindelig husholdningsrengøring, som beskrevet i brugsanvisningen. Du bør sikre dig, at du har forstået indholdet af denne brugervejledning fuldt ud, inden apparatet tages i brug.

Inden du rengør eller foretager nogen som helst vedligeholdelse af apparatet, skal du altid slukke for det og tage stikket ud af stikkontakten.

Dette udstyr kan anvendes af børn, der er 8 år gamle og derover, og af personer med nedsatte fysiske, sensoriske eller mentale evner eller manglende erfaring og viden, hvis de er under opsyn eller vejledning i at bruge udstyret på en sikker måde og forstår de risici, der er involveret. Børn må ikke lege med udstyret. Rengøring og vedligeholdelse må ikke udføres af børn uden en voksen tilstede.

Hvis netledningen er ødelagt, skal du stoppe med at bruge støvsugeren øjeblikkeligt. For at undgå en sikkerhedsrisiko skal en autoriseret Hoover-servicetekniker udskifte strømledningen.

Brug kun den originale oplader, der blev leveret sammen med apparatet.

Sørg for at stømmen i dit forsyningsnet er den samme som anført på opladeren. Denne støvsuger er forsynet med en dobbelt isoleret batterioplader, der kun er beregnet til tilslutning til en 220 V stikdåse.

Sæt opladeren i en passende stikkontakt og tilslut opladeren til apparatet.

Batteripakkens LED lys vil lyse RØDT under opladning, og vil skifte til HVID når den er fuldt opladet.

Støvsugeren skal tilsluttes opladeren igen efter brug, så batterierne kan blive genopladet.

Oplad aldrig batterierne ved over 37°C eller under 0°C. Det er normalt for opladeren at blive varm at røre ved under opladning.

Træk opladeren ud af stikket ved længere tids fravær (ferie o.lign.). Genoplad støvsugeren igen før brug, da batterierne kan selvaflade ved længere tids stilstand.

Anvend kun tilbehør, udstyr og reservedele leveret af Hoover.

Statisk elektricitet: Visse tæpper kan forårsage en mindre akkumulering af statisk elektricitet. Udledning af statisk elektricitet er ikke sundhedsfarligt.

Hold hænder, fødder, løstsiddende tøj og hår væk fra roterende børster.

Opladeren må ikke trækkes ud af stikdåsen ved at trække i kablet.

Brug ikke støvsugeren udendørs eller på våde overflader eller til opugning af væsker. Undlad at opsuge hårde eller skarpe genstande, tændstikker, varm aske, cigaretstumper eller andre lignende genstande. Undlad at sprøjte med eller opsuge brændbare væsker, rensesvæsker, spraydåser eller spray fra disse. Undlad at køre over strømkablet når du bruger din støvsuger og undlad at trække stikket ud ved at trække i strømkablet, men hold fast i stikket. Hvis apparatet eller opladeren ser ud til at være beskadigede, skal det tages ud af brug. Undlad at bruge apparatet på at rengøre mennesker eller dyr. Batterierne må ikke udskiftes med ikke-genopladelige batterier.

Hoover service: For at sikre løbende sikker og effektiv drift af denne støvsuger anbefaler vi, at eftersyn eller reparationer udelukkende udføres af en autoriseret Hoover-servicetekniker.

Bortskaffelse af brugt produkt

Hvis dit apparat skal kasseres, skal batterierne fjernes inden. Apparatet skal afbrydes fra lysnettet når batteriet fjernes. Bortskaf batterierne på en sikker måde. Tænd apparatet, indtil det stopper, fordi batterierne er helt afladet. Brugte batterier skal afleveres på en genbrugsstation og ikke smides ud sammen med husholdningsaffald. Hvis batterierne skal fjernes, bedes du kontakte Hoover-kundeservice eller handle i henhold til følgende anvisninger.

VIGTIGT: Aflad altid batterierne helt, før de fjernes.

Kør med støvsugeren, indtil batterierne er helt tomme. Fjern opladeren fra apparatet.

Tryk på batteripakkens udløsningsknapper, og fjern pakken.

Bemærk: Hvis du får problemer med at afmontere enheden eller ønsker mere detaljerede oplysninger om behandling, genanvendelse og genbrug af dette produkt, bedes du kontakte kommunen eller skraldeselskabet.

Miljøet:

Denne håndstøvsuger er mærket i overensstemmelse med det europæiske direktiv 2011/65/EC om affald af elektrisk og elektronisk udstyr (WEEE). Ved at sikre at dette produkt bortskaffes korrekt er du med til at forhindre eventuelle negative konsekvenser for miljø og sundhed, som ellers kunne forårsages på grund af forkert bortskaffelse af dette produkt. Symbolet på produktet angiver, at produktet ikke må behandles som husholdningsaffald. Det skal i stedet afleveres til en affaldsstation for genbrug af elektrisk og elektronisk udstyr. Bortskaffelse skal ske i overensstemmelse med de lokale miljøregler vedrørende bortskaffelse af affald. Du kan få flere detaljerede oplysninger om behandling, genvinding og genbrug af dette produkt ved at kontakte din lokale kommune, renovationsfirmaet eller den butik, hvor du købte produktet.



Dette apparat overholder bestemmelserne i EU Direktiverne 2014/35/EU, 2014/30/EU og 2011/65/EU.

CANDY HOOVER GROUP S.r.l. Via Privata Eden Fumagalli, 20861 Brugherio (MB) Italy

PRODUKTKOMPONENTER

- | | |
|---|---|
| A. Væggholder* | S. Udløserknap til støvbeholderenheden |
| B. Berøringsstrømkontrol | T. Batteripakke |
| C. Hoveddel | U. Batteripakke LED lys |
| D. Automatisk LED lys | V. Batteripakke opladningsindgang |
| E. Håndholdt udløserknap | W. Knap til afmontering af batteripakke |
| F. Rør | X. Oplader |
| G. Knap til afmontering af mundstykke | Y. 211 stort støv- og møbelbørsteredskab* |
| H. Mundstykkets forreste LED-strimmel | Z. 211 Fuge- og børsteredskab* |
| I. Skyder til udløserdæksel for børstestang | AA. Mini-strømmundstykke* |
| J. Hætte til udløserdæksel for børstestang | AB. Tilbehørsadapter* |
| K. Mundstykkevindue | AC. Radiatorredskab* |
| L. Børstestang | AD. Lang rengøringsbørste* |
| M. ON/OFF-knap | AE. Multifunktionelt op til toppen-redskab* |
| N. Præ-Motor Filter | AF. Langt fleksibelt fugemundstykke* |
| O. Enkel cyklon hvirvelfinder | AG. Vægmonterings skruer* |
| P. Enkelt cyklonsystem | AH. Rengøringsværktøj |
| Q. Støvbeholder | AI. Etui til tilbehør* |
| R. Udløserknap til støvbeholderklappen | |

SÅDAN

1. Saml røret med mundstykket indtil du hører det "klikker" på plads. **[1a]**
 2. Placer hovedenheden på røret indtil du hører det "klikker" på plads. **[1b]**
 3. Oplad apparatets batteri helt, ved at tilslutte opladerstikket til batteripakken. **[2a]**
- Opladningstid er ca. 2 timer. Batteripakken kan også oplades når den ikke er tilsluttet produktet. **[2b]**
- Batteripakkens LED lys vil lyse RØDT under opladning, og vil skifte til HVID når den er fuldt opladet. **[3]**
- BEMÆRK:** Mundstykket tages af, ved at trykke på udløserknappen, hvorefter mundstykket trækkes af hoveddelen.
- BEMÆRK:** Brug kun den oplader, der er leveret sammen med støvsugeren, til opladning.
- VIGTIGT:** Når du oplader batteriet, skal støvsugeren være slukket. Du kan også oplade den aftagelige batteripakke, når det udløses fra produktet. Det er normalt for opladeren at blive varm at røre ved under opladning.

BRUG AF STØVSUGEREN

Der er tre arbejdstilstande

- **STANDARD TILSTAND:** Når du trykker på tænd/sluk, er støvsugeren klar til en omhyggelig rengøring med det primære motormundstykke eller det motoriserede mini-turbomundstykke. **[4]**
- **TURBO INDSTILLING:** Tryk på berøringsstrømkontrollen på enheden for fuld strøm på produktet, i forbindelse med vanskelige rengøringsopgaver. **[5]**
- **AUTO-TILSTAND:** Når det primære motormundstykke eller mini-turbomundstykke er fjernet, vil produktet automatisk tilpasse sig til den laveste indstilling, og aktivere det automatiske LED lys. **[6]**

* Kun til visse modeller

Hvis der kræves mere strøm til vanskelige rengøringsopgaver, skal du trykke på turbo-berøringsknappen på enheden for at gennemgå de tilgængelige strømtilstande, for at finde en der passer til dine opgaver.

BATTERIBRUG

Når batteriet aflades under rengørings-sessionen, er batteripakkens LED hvid. Når batteriets kapacitet er under 5 %, vil det hvide LED lys begynde at blinke.

Når dette sker, bør du stoppe rengøringen og omgående genoplade dit batteri. [2]

Når du oplader apparatet, skal tænd/sluk være på SLUK.

Batteripakken kan også oplades når den ikke er tilsluttet produktet.

Opladningstid er ca. 2.5 timer. Når batterier er fuldt opladet, vil LED lyset på batteriet lyse hvidt.

BEMÆRK: Det er normalt for opladeren at blive varm at røre ved under opladning. Brug kun den oplader, der leveres sammen med støvsugeren.

SIKKERHEDSBESKYTTELSESSYSTEM

For at sikre, at produktets pålidelighed ikke påvirkes under vanskelige forhold, kommer produktet med to integrerede sikkerhedsbeskyttelsessystemer.

1. Sikkerhedsbeskyttelsessystemet vil reagere hvis børstestangen har en blokering eller er låst. Når den er aktiveret, vil børstestangen stoppe med at dreje, og den hvide LED-strimmel på fronten af mundstykket vil blinke 5 gange. [18] Hvis dette sker, skal du blot slukke for støvsugeren, og fjerne blokeringen i børstestangen. For at genoptage rengøringen, skal du trykke på tænd/sluk-knappen, og produktet starter igen i normal tilstand.

2. Det andet sikkerhedsbeskyttelsessystem vil reagere hvis mundstykkets vindue ikke er helt lukket før brug. Hvis vinduet er åbent, vil mundstykket ikke blive tændt. Hvis det sker, skal du blot slukke for produktet og sørge for, at mundstykkets vindue er lukket korrekt. For at genoptage rengøringen, skal du trykke på tænd/sluk-knappen, og produktet starter igen i normal tilstand.

TILBEHØR*

211 FUGE- OG BØRSTEREDSKAB*, 211 STORT STØV- OG MØBELBØRSTEREDSKAB*, LANGT FLEKSIBELT FUGEMUNDSTYKKE*, MULTIFUNKTIONELT OP TIL TOPPEN-REDSKAB * OG MINI POWER-MUNDSTYKKE*

Det ovennævnte tilbehør kan monteres direkte på hovedenheden eller på røret. [6]

BEMÆRK: For at fjerne mundstykket eller hovedenheden fra røret, skal du trykke på de relevante udløserknapper og trække enhederne fra hinanden.

RADIATORREDSKAB * OG LANG RENGØRINGSBØRSTE*

Tilbehørets adapter* skal monteres når man anvender disse 2 tilbehør. [6]

BEMÆRK: Mini-turbo mundstykket er ideelt til dybdegående rengøring af tekstiloverflader (dvs. sofaer) og fjernelse af dyrehår. Flyt den frem og tilbage i en støt bevægelse. Hvis det er nødvendigt skal du med en saks fjerne hår/tråde, der har samlet sig på børsten efter brug.

Det lange fleksible fugemundstykke er ideelt til rengøring på svært tilgængelige steder, under møblerne og i din bil.

Radiatorredskabet er ideelt til rengøring inde i og omkring skabe, radiatorer og sofaer.

Den lange rengøringsbørste er nyttig til rengøring af smalle steder uden at ridse overflader, eller til rengøring indvendigt i din bil.

Det multifunktionelle redskab er designet til en let rengøring af sarte overflader uden at ridse og til svært tilgængelige steder. Det multifunktionelle redskab består af tre hoveddele.

1. Fugemundstykket er ideelt til at nå snævre steder.

2. Støvbørsten er ideel til rengøring af overflader uden at beskadige eller ridse.

3. Møbelmundstykket er ideelt til rengøring af overflader som sofaer.

TILBEHØRSTASKE*

Tilbehørsudstyr kan gemmes i tilbehørstasken.

RENGØRINGSVÆRKTØJ

Rengøringsværktøjet er brugbart i forbindelse med rengøring af det enkelte cyklonsystem, støvbeholder og mundstykke.

VÆGHOLDER*

Hæng vægmontering på væggen vha. de to skruer der medfølger til ophængning. [7]

* Kun til visse modeller

VEDLIGEHOVELSE AF STØVSUGEREN

Tømning af støvbeholder

1. Tryk på udløsningsknappen til den håndholdte enhed og fjern røret. **[1b]**
2. Tryk på udløserknappen til støvbeholderklappen for at udløse støvbeholderklappen, og tømme indholdet. **[8a]**
3. Luk klappen på støvbeholderen, hvorefter du vil høre en kliklyd, når den er helt lukket i.

BEMÆRK: Det anbefales at tømme støvbeholderen efter hvert brug, eller når støvet når til den maksimale fyldlinje.

Hurtig daglig rengøring af støvbeholder

Du skal blot åbne klappen på støvbeholderen, og fjerne støvet ved hjælp af rengøringsværktøjet.

Brug krogenden til at trække det støv ud, der har samlet sig inde i støvbeholderen. **[8b]**

Brug børsteenden til at rengøre det fine støv som sidder fast omkring det enkelte cyklonsystem. **[10b]**

BEMÆRK: Det anbefales, at man renser støvbeholderen efter den tømmes.

Rengør støvbeholderen og filteret

1. Tryk på teleskoprørets udløserknop, og fjern teleskoprøret. **[1b]**
2. Tryk på udløserknappen til støvbeholderklappen for at udløse støvbeholderklappen, og tømme indholdet. **[8]**
3. Luk klappen på støvbeholderen, hvorefter du vil høre en kliklyd, når den er helt lukket i.
4. Tryk på batteriets udløserknop, og fjern batteripakken. **[2b]**
5. Tryk på udløserknappen til støvbeholderen, som er placeret på bagsiden af støvbeholderen, og drej den mod uret mens du trækker beholderen væk fra apparatet. **[9]**
6. Fjern præ-motor filteret ved at trække i støtten fra støvbeholderen. **[10]**
7. Fjern det enkelte cyklonsystem ved at trække i metalringen i støvbeholderen. **[10]**
8. Træk det enkelte cyklonsystem ud og drej den enkelte cyklon hvirvelfinder mod uret, og tag det derefter ud. **[11]**
9. Vask filteret og det enkelte cyklon system i lunkent vand, og lad det tørre i 24 timer. **[12,13]**
10. Saml filterpakkerne, når de er helt tørre, og monter dem i produktet igen. **[14,15,16,17]**

BEMÆRK: Anvend ikke varmt vand eller rengøringsmidler, når du rengør motorens forfilter. I tilfælde af, at motorens forfilter blive beskadiget, skal du montere et nyt originalt Hoover filter.

Brug ikke apparatet uden at præ-motor filteret er monteret, før du placerer støvbeholderen på apparatet.

VIGTIGT: For at opnå optimal effekt skal filtret altid holdes rent.

Rengøring af børstestang og mundstykke

VIGTIGT: Sluk altid for støvsugerens før du skifter og rengører børstestangen.

1. Fjern mundstykket fra røret. **[19]**
2. Flyt skyderen til højre, og mundstykkets vindue vil åbne. **[20]**
3. Åbn mundstykkets vindue helt, for at fjerne hybrid-børstestangen. **[20]**
4. Hold hæften til udløserdækslet for børstestangen, og fjern børstestangen. **[21]**
5. Hvis der er resterende snavs i børstestangen, fjernes det manuelt, eller ved hjælp af rengøringsværktøjet. **[22]**
6. Hvis der er snavs inde i mundstykket, eller omkring selve kammen, fjernes det med børsten på rengøringsværktøjet. **[23]**
7. For at sikre, at mundstykket er helt fri for blokeringer, vendes mundstykket om, og kontrolleres langs bunden. Hvis nødvendigt, rengøres dette område med krogen på rengøringsværktøjet. **[24]**
8. Vend mundstykket til dets oprindelige position, og geninstaller børstestangen. Børstestangen kan kun monteres i én retning, og du skal trykke let på enden for at sikre, at børstestangen sidder korrekt. **[25]**
9. Luk vinduet ved at trykke på midten af vinduet, indtil du hører det "klikke" på plads. Kontrollér, at vinduet er helt lukket, ved at trykke på begge sider. **[26]**

BEMÆRK: Sørg for, at mundstykkets vindue er helt lukket før brug. Hvis vinduet er åbent, vil mundstykket ikke blive tændt.

Udskiftning af batterierne

Denne støvsuger er udstyret med en genopladelige litium-ion batteripakke, som kan udskiftes.

ADVARSEL: Brug kun godkendte udskiftningsdele for din støvsuger. Dele, som ikke er godkendt af Hoover, er farlige og gør din garanti ugyldig.

ADVARSEL: Forsøg ikke at åbne batteripakken og reparere den selv.

1. Tryk på batteriets udløserknop, og træk batteriet ud. **[2b]**
2. Fjern den gamle batteripakke og udskift med en ny batteripakke.
3. Bortskaf batterierne på en sikker måde. Brugte batterier skal afleveres på en genbrugsstation og ikke smides ud sammen med husholdningsaffald.

* Kun til visse modeller

FEJLFINDING

Hvis du har problemer med støvsugeren, bedes du følge følgende enkle tjekliste, før du kontakter Hoovers kundeservicecenter:

A. Støvsugeren starter ikke

Kontroller om støvsugeren er opladet
Kontrollér om batteripakken sidder korrekt.

B. Støvsugeren stopper med at fungere

Kontrollér om der er en blokering i børstestangen, rengør og sørg for, at batteripakken er fjernet. Derefter trykkes der på ON/OFF-knappen, og produktet starter igen.
Tøm støvbeholderen og vask formotorens filter, enkeltcyklon, hvirvelfinder og cyklonadskiller.
Fjern mundstykket og slangen, og se om der er blokeringer i kanalen.

C. Tab af sugeevne eller ingen sugning

Tøm støvbeholderen og vask præ-motor filteret og det enkelte cyklonsystem.
Fjern mundstykket og slangen, og se om der er blokeringer i kanalen.

D. Batterier kan ikke oplades

Kontakt Hoover kundeservice for at bestille udskiftning af batteriet.
Kontakt Hoover kundeservice, hvis problemet bliver ved.
Dette kan opstå som følge af lange opbevaringsperioder (over et halvt år).

E. Mundstykket fungerer ikke

Kontrollér, at mundstykkets vindue er helt lukket.

HOOVER RESERVEDELE OG FORBRUGSSTOFFER

Udskift altid dele med ægte Hoover reservedele. Disse fås fra Hoovers reservedelsforhandler, check www.hoover.dk Når du bestiller dele, skal du altid opgive modelnummer.

DIN GARANTI

Garantibetingelserne for dette apparat er som defineret af vores repræsentant i det land, hvor det er solgt. Oplysninger vedrørende disse betingelser kan indhentes hos den forhandler, apparatet er købt hos. Kvitteringen skal fremvises i forbindelse med ethvert krav under disse garantibetingelser.

VIGTIGT: Batteriet fra denne støvsuger har en garanti på 6 måneder fra købsdatoen. Efter 6 måneder er kunden ansvarlig for omkostningerne for et nyt batteri.

Ret til ændringer uden varsel forbeholdes

INSTRUKSJONER FOR SIKKER BRUK

Dette apparatet må kun brukes til husrengjøring, og slik denne bruksanvisningen beskriver. Sørg for at denne veiledningene er forstått fullstendig før du bruker apparatet.

Slå alltid av og koble laderen fra støpselet før enheten rengjøres eller vedlikeholdes.

Apparatet kan brukes av barn fra 8 år, og av personer med nedsatte fysiske, sanselige eller mentale evner, eller manglende erfaring og kunnskap, dersom de er under oppsyn eller har fått opplæring i sikker bruk av apparatet og forstår farene bruk av apparatet kan medføre. Barn skal ikke leke med apparatet. Rengjøring og vedlikehold skal ikke utføres av barn uten oppsyn.

Bruken av apparatet må opphøre umiddelbart dersom strømledningen er skadet. Av sikkerhetshensyn må en autorisert Hoover-tekniker erstatte strømledningen.

Bruk den opprinnelige laderen som fulgte med apparatet.

Kontroller at forsyningsspenningen er den samme som er angitt på laderen. Dette Hoover-apparatet leveres med dobbeltisolert batterilader, som kun kan settes i et 230V (britisk 240V) strømuttak.

Koble laderen til et egnet strømuttak, og koble laderens kontakt til apparatet.

LED-lampen på batteriene lyser RØDT under lading og skifter til hvitt når ladingen er fullført.

Koble apparatet tilbake i laderen etter bruk, slik at batteriet lades opp.

Lad aldri batteriene i temperaturer over 37 °C eller under 0 °C. Det er vanlig at laderen er varm ved berøring under lading.

Koble fra laderen dersom du er borte over langre tid (f.eks. ferie). Produktet bør lades opp igjen før bruk, da batteriene kan selvutløses ved lengre tids lagring.

Bruk kun tilbehør, forbruksvarer eller reservedeler som anbefales eller leveres av Hoover.

Statisk elektrisitet: Enkelte tepper kan bygge opp små mengder statisk elektrisitet. Utladning av statisk elektrisitet er ikke helseskadelig.

Hold hender, føtter, løse klær og hår unna roterende børster.

Ikke koble fra laderen ved å trekke i ledningen.

Du må ikke bruke apparatet utendørs, på våte overflater eller til å støvsuge væske. Du må ikke støvsuge harde eller skarpe objekter, varm aske, sigarettneiper eller andre liknende gjenstander. Apparatet må ikke utsettes for eller støvsuge opp brennbare væsker, rengjøringsmidler, aerosoler eller damp fra slike væsker. Unngå å kjøre over ledningen eller trekke ut støpselet under bruk. Ikke fortsett å bruke rengjøringsapparatet eller laderen hvis det virker som om det er noe feil med dem. Du må ikke bruke apparatet til å rengjøre dyr eller mennesker. Ikke erstatt batteriene med ikke-oppladbare batterier.

Hoover-service: For å sikre at apparatet fortsatt virker som det skal, og er trygt å bruke, anbefaler vi at all service og alle reparasjoner blir utført av en autorisert Hoover-tekniker.

Avfallshåndtering etter produktets levetid

Hvis apparatet skal avhendes, bør batteriene fjernes først. Apparatet må være frakoblet strømmettet når du fjerner batteriet. Kast batteriene på en trygg måte. La apparatet gå til den stopper fordi batteriene er helt tømt. Brukte batterier bør leveres til en gjenbruksstasjon, og ikke kastes sammen med husholdningsavfall. For å fjerne batteriene, bør du kontakte Hoovers kundesenter, eller fortsette som anvist nedenfor:

VIKTIG: Påse at batteriene er fulladede før du fjerner dem.

La rengjøringsapparatet gå til batteriene er helt tømt. Ta laderkontakten ut av apparatet.

Trykk på knappene som frigjør batteripakken og dra den ut.

Merk: Hvis du har vanskeligheter med å demontere enheten eller ønsker mer detaljert informasjon om behandling, gjenvinning og resirkulering av apparatet, ta kontakt med kommunen eller renovasjonsselskapet.

Miljøet:

Dette apparatet er merket i henhold til EU-direktiv 2011/65/EC om elektrisk avfall og elektronisk utstyr (WEEE). Ved å sørge for at dette produktet avhendes på riktig måte, bidrar du til å forhindre eventuelle negative konsekvenser for miljø og menneskelig helse, som ellers kunne ha blitt forårsaket av uriktig avfallshåndtering av dette produktet. Symbolet på produktet angir at dette produktet ikke kan behandles som husholdningsavfall. Det må istedet leveres til passende oppsamlingspunkt for resirkulering av elektrisk og elektronisk utstyr. Avhendingen må gjennomføres i samsvar med lokale miljøforskrifter for avfallshåndtering. For mer informasjon om behandling, gjenvinning og resirkulering av dette produktet, ta kontakt med den kommunale etaten for avfallshåndtering eller butikken der du kjøpte produktet.



Dette produktet overholder EU-direktiv 2014/35/EU, 2014/30/EU og 2011/65/EU.

CANDY HOOVER GROUP S.r.l. Via Privata Eden Fumagalli, 20861 Brugherio (MB) Italy

PRODUKTKOMPONENTER

- | | |
|---|---|
| A. Veggmontering* | S. Utløserknapp for støvbeholderenhet |
| B. Touch-effektstyring | T. Batteripakke |
| C. Hoveddel | U. LED-lys for batteripakke |
| D. Auto LED-lys | V. Inntak for opplading av batteripakke |
| E. Håndholdt utløserknapp | W. Utløserknapp for batteripakke |
| F. Rør | X. Lader |
| G. Utløserknapp for munnstykket | Y. To-i-ett - Stort støv-og møbelverktøy* |
| H. Munnstykkets fremre LED-stripe | Z. 2in1 Spalte og støvkost* |
| I. Børstestangens utløsergildebryter for dekselet | AA. Mini-Power munnstykke* |
| J. Børstestangens utløser for endehetten | AB. Tilbehørsadapter* |
| K. Munnstykkevindu | AC. Radiatorverktøy* |
| L. Børstestang | AD. Dyprengjørende børste* |
| M. Slå AV/PÅ | AE. Flerfunksjons Opp-til-toppen-verktøy* |
| N. Pre-motor filter | AF. Langt bøyeleg verktøy for sprekker* |
| O. Enkelsyklon virvelstrømpdager | AG. Skruer til veggfestet* |
| P. Enkelsyklon-system | AH. Rengjøringsverktøy |
| Q. Støvbeholder | AI. Pose med tilbehør* |
| R. Utløserknapp for støvbeholderklaff | |

FORBEREDING AV STØVSUGEREN

1. Sett slangen på munnstykket til du hører at den klikker på plass. **[1a]**
2. Sett hoveddelen inn på slangen til du hører den klikker på plass. **[1b]**
3. Koble laderens kontakt til batteripakken for å fullade apparatets batteri. **[2a]**
Ladetid er omtrent 2.5 timer. Du kan også lade batteripakken når den er frakoplet produktet. **[2b]**
LED-lampen på batteriene lyser RØDT under lading og skifter til hvitt når ladingen er fullført. **[3]**

MERK: Du fjerner munnstykket ved å trykke på munnstykkets utløserknapp og trekke den unna hoveddelen.

MERK: Bruk kun laderen som ble levert med rengjøringsapparatet.

VIKTIG: Under ladingen må støvsugeren være slått av. Du kan også lade batteripakken når den er demontert fra produktet. Det er vanlig at laderen er varm ved berøring under lading.

BRUK AV APPARATET

Det er finnes tre driftsmoduser

- **STANDARD-MODUS** Når du trykker på PÅ/AV-bryteren, er støvsugeren klar til en grundig rengjøring med det motordrevne hovedmunnstykket, eller med det motordrevne mini-turbo munnstykket. **[4]**
- **TURBO-MODUS:** Trykk på touch-effektstyringen på hoveddelen for å gi full effekt til produktet for vanskelige rengjøringsoppgaver. **[5]**
- **AUTO-MODUS:** Når det motordrevne hovedmunnstykket eller mini-turbo munnstykket fjernes, vil produktet automatisk bruke laveste effektinnstilling og slå på Auto LED-lyset. **[6]**

* Bare enkelte modeller

Hvis det kreves mer effekt for en vanskelig rengjøringsoppgave, trykk på turbo berøringsknappen på hoveddelen for å bla gjennom effektmodusene for å finne den som passer til dine oppgaver.

BATTERIBRUK

Når batteriet lades ut under rengjøringen, er batteripakkens LED-lys hvitt. Når batteripakkens gjenværende kapasitet er under 5%, vil det hvite lyset begynne å blinke.

Når dette skjer, stopp rengjøringen og lad batteriet umiddelbart. [2]

Når produktet lades, må på/av-bryteren være AV.

Du kan også lade batteripakken når den er frakoplet produktet.

Ladetid er omtrent 2.5 timer. Når batteriet er fulladet, tennes LED-lampen på batteriet med hvitt lys.

MERK: Det er vanlig at laderen er varm ved berøring under lading. Bruk kun laderen som leveres med rengjøringsapparatet.

BESKYTTELSESYSTEM FOR SIKKERHET

For å sikre at påliteligheten til produktet ikke påvirkes hvis det brukes under tøffe forhold, har produktet to integrerte beskyttelsessystemer for sikkerhet.

1. Beskyttelsessystemet for sikkerhet utløses hvis børstestangen er tilstoppet eller låst. Når det skjer, stopper børstestangen å rotere, og den hvite LED-stripen foran på munnstykket blinker 5 ganger. [18] Dersom dette skjer, slå av produktet ditt og fjern hindringen i børstestangen. For å gjenoppta rengjøringen trykker man på on/off-knappen og produktet vil gjenstarte i normal modus.

2. Det andre beskyttelsessystemet for sikkerhet utløses hvis munnstykkevinduet ikke er helt lukket for bruk. Hvis vinduet er åpent, slås ikke munnstykket på. Hvis det skjer, slå av produktet og kontroller at munnstykkevinduet er helt lukket. For å gjenoppta rengjøringen trykker man på on/off-knappen og produktet vil gjenstarte i normal modus.

TILBEHØR*

2IN1 SPALTE OG STØVKOST*, TO-I-ETT - STORT STØV-OG MØBELVERKTØY*, LANGT BØYELIG VERKTØY FOR SPREKKER*, FLERFUNKSJONS OPP-TIL-TOPPEN-VERKTØY * OG MINI KRAFTMUNNSTYKKE*

Overnevnte tilbehør kan monteres direkte inn på hoveddelen eller på slangen. [6]

MERK: For å fjerne munnstykket eller hoveddelen fra slangen, trykk på den respektive utløserknappen og trekk delene fra hverandre.

RADIATORVERKTØY * OG DYPRENGJØRENDE BØRSTE*

Tilbehør-adapteret* må benyttes når en bruker disse to tilbehørene. [6]

MERK: Mini-turbodysen passer perfekt for rengjøring av tekstiloverflater (f.eks. sofaer) og fjerning av dyrehår. Skyv apparatet jevnt forover og bakover. Etter bruk må du fjerne hår/tråder som har samlet seg i børsten, om nødvendig ved hjelp av saks.

Det lange bøyelege sprekkverktøyet passer perfekt til rengjøring på steder der det er vanskelig å komme til, under møbler og i bilen.

Radiatorverktøyet er ideelt for rengjøring inni og rundt skap, radiatorer og sofaer.

Den dyptrengjørende børsten rengjør trange områder, uten å ripe overflater, og inne i bilen din.

Flerfunksjonsverktøyet er utviklet for å enkelt rengjøre skjøre overflater uten å lage riper og alle områder som er vanskelige å komme til. Flerfunksjonsverktøyet består av tre viktige deler.

1. Sprekkverktøyet er ideelt for å komme til på trange plasser.
2. Støvbørsten er ideell for å rengjøre overflater uten å lage riper og skader.
3. Møbelmunnstykket er ideelt for å rengjøre overflater som en sofa.

TILBEHØRPOSE*

Annet tilbehør kan lagres i tilbehørposen.

RENGJØRINGSVERKTØY

Rengjøringsverktøyet er nyttig for rengjøringen av enkelsyklon-systemet, støvbeholderen og munnstykket.

VEGGMONTERING*

Montere veggfestet på veggen ved hjelp av de to skruene som følger med for å kunne henge opp produktet. [7]

VEDLIKEHOLD AV STØVSUGEREN

Tømme støvbeholderen

1. Trykk ned utløserknappen og trekk ut slangen. [1b]

* Bare enkelte modeller

- Trykk på utløserknappen for støvbeholderklaffen for å utløse støvbeholderklaffen og tømme ut innholdet. **[8a]**
- Lås støvsamlere fast med klaffen opp. En klikkelyd høres når den er låst fast.

MERK: Det anbefales at du tømmer støvbeholderen etter hver bruk, eller når støvet når opp til makslinjen.

Rask daglig rengjøring av støvbeholderen

Åpne støvbeholderklaffen og fjern støvet med rengjøringsverktøyet.

Bruk enden med hake til å dra ut støv som har satt seg fast inne i støvbeholderen. **[8b]**

Bruk børsteenden for å fjerne det fine støvet som har festet seg rundt enkelsyklon-systemet. **[10b]**

MERK: Støvbeholderen bør rengjøres etter at den er tømt.

Rengjør støvbeholderen og filteret

- Trykk på slangens utløserknapp og ta ut slangen. **[1b]**
- Trykk på utløserknappen for støvbeholderklaffen for å utløse støvbeholderklaffen og tømme ut innholdet. **[8]**
- Lås støvsamlere fast med klaffen opp. En klikkelyd høres når den er låst fast.
- Trykk på batteriets utløserknapp og ta ut batteripakken. **[2b]**
- Trykk på utløserknappen for støvbeholderen bak på støvbeholderen. Drei støvbeholderen mot urviseren og trekk den ut. **[9]**
- Fjern pre-motor filteret ved å trekke støtten av støvbeholderen. **[10]**
- Fjern enkelsyklon-systemet ved å trekke metallringen av støvbeholderen. **[10]**
- Trekk enkelsyklon-systemet og drei enkelsyklon virvelstrømpoddageren mot urviseren og ta den ut. **[11]**
- Vask filteret og enkelt syklon-systemet i lunkent vann og legg til tørk i et døgn. **[12,13]**
- Sett sammen igjen etter at det har tørket elt, og sett det tilbake på produktet. **[14,15,16,17]**

MERK: Ikke bruk varmt vann eller såpe for å gjøre rent filteret formotor-filteret. Hvis premotor-filteret, mot formodning, skulle bli ødelagt, må det skiftes ut med en original Hoover-reservedel.

Ikke bruk produktet uten at pre-motor filteret er festet før du monterer støvbeholderen til hoveddelen.

VIKTIG: For å sikre optimal ytelse, bør filteret alltid holdes rent.

Rengjøring av børstestangen og munnstykket

VIKTIG: Slå alltid av rengjøringsapparatet før utskiftning og rengjøring av børstestangen.

- Fjern munnstykket fra slangen. **[19]**
- Flytt glidebryteren til høyre og munnstykkevinduet åpnes. **[20]**
- Åpne munnstykkevinduet helt for å fjerne hybrid-børstestangen. **[20]**
- Hold inne børstestangens utløser for endehetten og fjern børstestangen. **[21]**
- Hvis det er skitt igjen i børstestangen, fjern det manuelt eller med rengjøringsverktøyet. **[22]**
- Hvis det er skitt på innsiden av munnstykket eller rundt kammen, fjern det med rengjøringsverktøyets børste. **[23]**
- For å sikre at hele munnstykket er fritt for hindringer, snu det og kontroller i bunnområdet. Hvis nødvendig, rengjør området med rengjøringsverktøyets hake. **[24]**
- Snu munnstykket til utgangsposisjon og sett inn børstestangen. Børstestangen passer kun i én retning, og trykk enden forsiktig inn for å forsikre deg om at børstestangen er på plass. **[25]**
- Lukk vinduet ved å trykke på det midtre området av vinduet inntil du hører at det "klikker" på plass. Sjekk at vinduet er helt låst ved å trykke på begge sider. **[26]**

MERK: Kontroller at munnstykkevinduet er helt lukket før bruk. Hvis vinduet er åpent, slås ikke munnstykket på.

Bytte batteriene

Denne rengjøringsmaskinen er utstyrt med oppladbare litiumbatterier som kan skiftes ut.

ADVARSEL: Bruk bare godkjente reservedeler til rengjøringsapparatet. Å bruke deler som ikke er godkjent av Hoover er farlig og vil ugyldiggjøre garantien.

ADVARSEL: Ikke prøv å åpne batteripakken og reparere den selv.

- Trykk på batteripakkens utløserknapp og trekk ut batteriet. **[2b]**
- Fjern den gamle batteripakken og erstatt den med den nye batteripakken.
- Kast batteriene på en trygg måte. Brukte batterier bør leveres til en gjenbruksstasjon, og ikke kastes sammen med husholdningsavfall.

* Bare enkelte modeller

FEILSØKING

Dersom du får problemer med rengjøringsapparatet, kan du følge denne enkle kontrollisten før du tar kontakt med Hoover kundeservice:

A. Støvsugerer slås ikke på

Kontroller at rengjøringsapparatet er ladet opp
Sjekk om batteripakken er montert på plass.

B. Rengjøringsapparatet har sluttet å virke.

Kontroller om det finnes en hindring i børstestangen, fjern den og sørg for at batteripakken er fjernet. Når dette er gjort, er det bare å trykke på PÅ/AV-knappen og produktet starter opp igjen.
Tøm støvbeholderen og vask formotorfilteret, Single Cyclone, Vortex Finder og syklonseparatoren.
Ta ut munnstykket og røret, og kontroller om det finnes blokkeringer i kanalen.

C. Tap av sugeeffekt eller ingen sugeeffekt.

Tøm støvbeholderen og vask pre-motor filteret og enkelsyklon-systemet.
Ta ut munnstykket og røret, og kontroller om det finnes blokkeringer i kanalen.

D. Batteriene kan ikke lades

Ta kontakt med Hoover kundeservice for å avtale utskifting av batteri.
Ta kontakt med Hoover kundeservice dersom problemet vedvarer.
Dette kan skyldes lagring over lenger tid (mer enn et halvt år).

E. Munnstykket fungerer ikke

Sjekk om munnstykkevinduet er helt lukket.

ORIGINALDELER FRA HOOVER

Bruk alltid originale deler fra Hoover. Disse er tilgjengelige fra din lokale Hoover-forhandler eller direkte fra Hoover. Når du bestiller deler, må du alltid oppgi modellnummeret ditt.

DIN GARANTI

Garantibetingelsene for dette apparatet er som definert av vår representant i det landet der det ble solgt. Detaljer vedrørende disse betingelsene fås fra forhandleren der apparatet ble kjøpt. Salgskvitteringen må fremvises ved fremsetting av krav under betingelsene i denne garantien..

VIKTIG: Batteriet som medfølger dette rengjøringsapparatet har 6 måneders garanti fra kjøpsdato. Etter seks måneder har kunden selv ansvar for å kjøpe nytt batteri.

Kan endres uten forvarsel.

OHJEET TURVALLISTA KÄYTTÖÄ VARTEN

Tämä laite on tarkoitettu ainoastaan kotikäyttöön tämän käyttöoppaan kuvaamalla tavalla. Tutustu tähän käyttöoppaaseen huolellisesti ennen laitteen käyttöä.

Kytke laturista virta ja irrota laturi virtalähteestä aina käytön jälkeen, sekä myös ennen kuin puhdistat laitteen tai teet huoltotoimenpiteitä.

Tätä laitetta voivat käyttää yli 8-vuotiaat lapset ja henkilöt, joilla on vähentynyt fyysinen, aistillinen tai henkinen kyvykkyys, tai joilla ei ole aikaisempaa kokemusta tai tietoja, mikäli heille on annettu ohjausta ja valvontaa koskien laitteen turvallista käyttöä, ja he ymmärtävät käyttöön liittyvät vaaratekijät. Lapset eivät saa leikkiä laitteella. Käyttäjän suorittamaa puhdistusta ja huoltoa ei tule suorittaa lasten toimesta ilman valvontaa.

Lopeta laitteen käyttö välittömästi, jos virtajohto on vahingoittunut. Virtajohdon saa turvallisuussyistä vaihtaa vain valtuutettu Hoover-huoltoliike.

Käytä vain laitteen mukana toimitettua laturia.

Varmista, että laturiin merkityt arvot vastaavat syöttöjännitettä. Tämä Hoover-laite on varustettu kaksoiseristetyllä akkulaturilla joka sopii liitettäväksi vain 230V:n (Iso-Britannia 240V) pistorasiaan.

Kytke laturi sopivaan pistorasiaan ja yhdistä laturin liitin laitteeseen.

Akkuyksikön LED-valo on PUNAINEN latauksen aikana, ja se muuttuu VALKOISEKSI kun laite on ladattu täyteen.

Kytke laite käytön jälkeen takaisin laturiin akun lataamiseksi.

Älä koskaan lataa akkuja yli 37°C:n tai alle 0°C:n lämpötiloissa. Laturin lämpeneminen latauksen aikana on aivan normaalia.

Irrota laturi pistorasiasta mikäli laitetta ei käytetä pitkään aikaan (loma-ajat jne.). Lataa laite uudelleen ennen käyttöä, koska akut voivat purkaantua varauksesta pitkien säilytysjaksojen aikana.

Käytä ainoastaan Hooverin toimittamia tai suosittelemia lisävarusteita tai varaosia.

Staattinen sähkö: jotkut matot voivat aiheuttaa vähäisen määrän staattista sähköä. Staattisen sähköön purkaus ei ole vaarallinen

terveydelle.

Pidä kädet, jalat, löysät vaatteet ja hiukset poissa pyörivistä harjoista.

Älä irrota laturia virtalähteestä johdosta vetämällä.

Älä käytä laitettasi ulkona tai märällä alustalla. Älä imuroi nesteitä. Älä imuroi kovia tai teräviä esineitä, tulitikkuja, kuumaa tuhkaa, tupakantumppeja tai muita vastaavia esineitä. Älä ruiskuta laitteelle tai imuroi laitteella syttyviä nesteitä, puhdistusnesteitä, aerosoleja tai näiden höyryjä. Älä aja laitteella verkkojohdon yli tai irrota pistoketta pistorasiasta johdosta vetämällä. Älä käytä laitetta tai laturia, jos se vaikuttaa vialliselta. Älä käytä laitetta ihmisten tai eläinten puhdistamiseen. Älä vaihda akkuja eiladattaviin akkuihin.

Hoover-huolto: Laitteen käyttöturvallisuuden ja tehokkaan toiminnan varmistamiseksi suosittelemme, että huolto ja korjaukset teetetään vain valtuutetussa Hoover-huollossa.

Tuotteen hävittäminen käyttöiän päätyttyä

Jos laite hävitetään, akut on ensin poistettava laitteesta. Laitteen täytyy olla irrotettu verkkovirrasta akkua vaihdettaessa. Kierrätä akut turvallisesti. On suositeltavaa käyttää laitetta, kunnes se pysähtyy, jotta akut tyhjentyvät kokonaan. Vie käytetyt akut kierrätyskeskukseen. Älä hävitä niitä kotitalousjätteen mukana. Irrottaaksesi akut ota yhteyttä valtuutettuun Hoover-huoltoliikkeeseen tai noudata seuraavia ohjeita.

TÄRKEÄÄ: Tyhjennä akut aina kokonaan ennen niiden poistamista.

Käytä imuria kunnes akut ovat täysin tyhjät. Irrota laturin liitin laitteesta.

Paina akkuyksikön vapautuspainikkeita ja irrota liu'uttamalla.

Huomaa: Jos sinulla on vaikeuksia purkaa laitetta tai tarvitset yksityiskohtaisempaa tietoa laitteen jälkikäsittelystä, talteenotosta ja kierrätyksestä, ota yhteyttä paikallisiin kierrätysviranomaisiin tai kotitalouksien jätehuoltoon.

Ympäristö:

Tämä laite on merkitty sähkö- ja elektroniikkalaiteromusta annetun direktiivin 2011/65/EC (WEEE) mukaisesti. Hävittämällä tämän laitteen oikein estät mahdollisia ympäristölle ja ihmisterveydelle aiheutuvia haittavaikutuksia, joita saattaa syntyä laitteen vääränlaisen hävittämisen seurauksena. Laitteessa oleva symboli osoittaa, että laitetta ei saa hävittää kotitalousjätteenä. Se täytyy luovuttaa kodinkoneiden keräyspisteeseen sähkölaitteiden kierrätystä varten. Hävittäminen on suoritettava paikallisten jätteiden hävittämistä koskevien ympäristösäännösten mukaisesti. Saat lisätietoja tämän tuotteen käsittelemisestä, hyötykäytöstä ja kierrätyksestä paikallisilta viranomaisilta, kotitalouksien jätehuollosta tai liikkeestä, josta ostit tuotteen.



Tämä tuote on yhdenmukainen Euroopan direktiivien 2014/35/EU, 2014/30/EU ja 2011/65/EU kanssa.

CANDY HOOVER GROUP S.r.l. Via Privata Eden Fumagalli, 20861 Brugherio (MB) Italy

TUOTTEEN OSAT

- | | |
|---|--|
| A. Seinäasennus* | S. Pölysäiliökokoonpanon vapautuspainike |
| B. Tehon säädön kosketuspainike | T. Akku |
| C. Runko-osa | U. Akun merkkivalo |
| D. Automaattisen tilan valo | V. Akkuyksikön latausaukko |
| E. Rikkaimurin vapautuspainike | W. Akkupaketin vapautuspainike |
| F. Putki | X. Laturi |
| G. Suulakkeen vapautuspainike | Y. Suuri 2in1-pöly- ja huonekaluharja* |
| H. Suulakkeen etupuolella oleva valojuova | Z. 2in1 Rakosuutin ja pölyharja* |
| I. Kannen liukupainike harjarullalla vapauttamiseen | AA. Miniturbosuulake* |
| J. Harjarullalla vapautuksen päätykansi | AB. Lisävarustesovitin* |
| K. Ikkunasuulake | AC. Lämpöpatterisuulake* |
| L. Harjarulla | AD. Syväpuhdistusharja* |
| M. PÄÄLLE / POIS päältä | AE. Monitoimivaruuste* |
| N. Moottorin esi-suodatin | AF. Pitkä joustava rakosuulake* |
| O. Yksinkertaisen pyörrepuhdistimen putki | AG. Seinätelineen ruuvit* |
| P. Yhden syklonin järjestelmä | AH. Puhdistustyökalu |
| Q. Pölysäiliö | AI. Lisävarustepussi* |
| R. Pölysäiliön kannen vapautuspainike | |

LAITTEEN KOKOAMINEN

- Kiinnitä putki paikalleen suulakkeeseen niin, että kuulet napsahduksen. **[1a]**
 - Kiinnitä päärunkoyksikkö paikalleen putkeen niin, että kuulet napsahduksen. **[1b]**
 - Lataa laitteen akku täyteen yhdistämällä laturin liitin akkupakettiin. **[2a]**
- Latausaika on noin 2 tuntia. Voit ladata akkupaketin myös silloin, kun se on irrotettu tuotteesta. **[2b]**
- Akkuyksikön LED-valo on PUNAINEN latauksen aikana, ja se muuttuu VALKOISEKSI kun laite on ladattu täyteen. **[3]**
- HUOMAA:** Irrottaaksesi suulakkeen paina suulakkeen vapautus-painiketta ja vedä suulaketa runko-osasta ulospäin.
- HUOMAA:** Käytä vain imurisi kanssa toimitettua laturia imurin lataukseen.
- TÄRKEÄÄ:** Imurin on oltava sammutettu latauksen ajaksi. Voit ladata irrotettavan akkuyksikön myös silloin, kun se on irti laitteesta. On normaalia, että laturi lämpenee latauksen aikana.

LAITTEEN KÄYTTÖ

Laitteella on kolme eri toimintatilaa

- **VAKIOTILA:** Kun painat On/Off-painiketta, imuri on valmis käytettäväksi moottoroidulla pääsuulakkeella tai moottoroidulla miniturbosuulakkeella. **[4]**
- **TURBO-TILA:** Ota täysi teho käyttöön perusteellisempaa puhdistusta varten painamalla tehon säädön kosketuspainiketta runko-osassa. **[5]**
- **AUTOMAATTINEN TILA:** Kun moottoroitu pääsuulake tai miniturbosuulake on irrotettu, laite valitsee automaattisesti alimman tehoasetuksen ja automaattisen tilan valo syttyy. **[6]**

* Vain joissakin malleissa

Jos lisätehoa tarvitaan perusteellisempaa puhdistusta varten, paina turbo-kosketuspainiketta runko-osassa, jotta voit valita kiertämällä haluamasi tehon.

AKUN KÄYTTÖ

Jos akku on tyhjentynyt puhdistuksen aikana, palaa akun valkoinen merkkivalo. Kun akkua on jäljellä vähemmän kuin 5 %, VALKOINEN merkkivalo alkaa vilkkua.

Kun näin tapahtuu, lopeta puhdistus ja lataa akku välittömästi. [2]

Laitteen latauksen aikana On/Off-katkaisimen tulee olla pois päältä.

Voit ladata akkupaketin myös silloin, kun se on irrotettu tuotteesta.

Latausaika on noin 2,5 tuntia. Kun akku on täysin latautunut, akun valo palaa valkoisena.

HUOMAA: On normaalia, että laturi lämpenee latauksen aikana. Käytä vain imurin kanssa toimitettua laturia.

TURVAJÄRJESTELMÄ

Jotta käyttö hankalissa paikoissa ei vaikuttaisi tuotteen käyttövarmuuteen, tuoteominaisuuksiin kuuluu kaksi integroitua turvajärjestelmää.

1. Turvajärjestelmä käynnistyy, jos harjarullassa on tukos tai se on lukkiutunut ja käytössä oleva harjarulla pysähtyy ja valkoinen valojuova suulakkeessa vilkkuu 5 kertaa. [18] Jos tämä tapahtuu, sammuta laite ja poista este harjarullasta. Jatka laitteen käyttöä painamalla on/off-painiketta; laite käynnistyy uudelleen normaalissa toimintatilassa.

2. Toinen turvajärjestelmä käynnistyy, jos suulakeikkunaa ei ole suljettu kunnolla ennen käyttöä. Jos ikkuna on auki, suulake ei käynnisty. Jos näin tapahtuu, sammuta laite ja varmista, että suulakeikkuna on suljettu kunnolla. Jatka laitteen käyttöä painamalla on/off-painiketta; laite käynnistyy uudelleen normaalissa toimintatilassa.

LISÄVARUSTEET*

2IN1 RAKOSUUTIN JA PÖLYHARJA*, 2IN1 SUURI PÖLY- JA HUONEKALUHARJA*, PITKÄ JOUSTAVA RAKOSUULAKE*, MONITOIMIVARUSTE * JA PIENI TEHOSUULAKE*

Yllämainitut lisävarusteet voi asentaa suoraan päärunkoyksikköön tai putkeen. [6]

HUOMAA: Poistaaksesi suulakkeen tai päärunkoyksikön putkesta, paina kyseisen osan vapautuspainiketta ja vedä osa irti.

PATTERISUULAKE * JA SYVÄPUHDISTUSHARJA*

Lisävarusteadapteri* pitää asentaa, kun nämä kaksi lisävarustetta ovat käytössä. [6]

HUOMAA: Miniturbosuulake sopii ihanteellisesti tekstiilipintojen (esim. sohvien) puhdistukseen ja kotieläinten karvojen poistoon. Liikuta tasaisesti taakse- ja eteenpäin. Poista tarvittaessa käytön jälkeen harjaan kertyneet karvat/langat saksilla. Pitkä joustava rakosuulake sopii ihanteellisesti puhdistamaan vaikeapääsyisiä paikkoja, huonekalujen alta ja autojen sisätiloja.

Lämpöpatterisuulake on ihanteellinen kaappien, lämpöpattereiden ja sohvien sisäpuolen ja ympäristän puhdistamiseen.

Syväpuhdistusharjalla puhdistuvat kätevästi ahtaat paikat, pintoja naarmuttamatta, sekä autojen sisätilat.

Monitoimityökälulla voi puhdistaa helposti herkäät pinnat niitä naarmuttamatta sekä vaikeapääsyiset alueet. Monitoimityökälu koostuu kolmesta pääosasta:

1. Rakosuuttimella pääsee hyvin ahtaisiin paikkoihin.
2. Pölyharja puhdistaa pinnat niitä vahingoittamatta tai naarmuttamatta.
3. Huonekalusuulake sopii esimerkiksi sohvapintojen puhdistamiseen.

LISÄVARUSTELAUKKU*

Lisävarusteita voi säilyttää lisävarustelaukussa.

PUHDISTUSTYÖKALU

Puhdistustyökälu on hyödyllinen yksinkertaisen pyörrejärjestelmän, pölysäiliön ja suulakkeen puhdistamiseen.

SEINÄASENNUS*

Ripusta seinäteline seinälle mukana tulleilla ruuveilla. [7]

LAITTEEN KUNNOSSAPITO

Pölysäiliön tyhjennys

1. Paina rikkaimurin vapautuspainiketta ja irrota putki. [1b]
2. Paina pölysäiliön kannen vapautuspainiketta vapauttaaksesi pölysäiliön kannen ja tyhjentääksesi sen sisällön. [8a]
3. Sulje pölysäiliön kansi; sen lukituessa kuuluu napsahdus.

HUOMAA: Pölysäiliö kannattaa tyhjentää aina käytön jälkeen tai kun se on täynnä maksimirajaan asti.

* Vain joissakin malleissa

Pölysäiliön päivittäinen pikapuhdistus

Avaa pölysäiliön läppä ja poista pöly puhdistustyökalun avulla.

Vedä pölysäiliöön kertynyt pöly ulos koukkupäätä käyttämällä. **[8b]**

Käytä harjapäätä yksinkertaisen pyörrejärjestelmän ympärille juuttuneen hienopölyn irrottamiseksi. **[10b]**

HUOMAA: On suositeltavaa puhdistaa pölysäiliö tyhjentämisen jälkeen.

Pölysäiliön ja suodattimen puhdistus

1. Paina putken vapautuspainiketta ja irrota putki. **[1b]**
2. Paina pölysäiliön kannen vapautuspainiketta vapauttaaksesi pölysäiliön kannen ja tyhjentääksesi sen sisällön. **[8]**
3. Sulje pölysäiliön kansi; sen lukituessa kuuluu napsahdus.
4. Paina akun vapautuspainiketta ja irrota akkuyksikkö. **[2b]**
5. Paina pölysäiliön vapautuspainiketta, joka sijaitsee pölysäiliön takana, ja käännä sitä vastapäivään vetämällä sitä pois yksiköstä. **[9]**
6. Irrota moottorin esisuodatin vetämällä tukea pölysäiliöstä. **[10]**
7. Irrota yksinkertainen pyörrejärjestelmä vetämällä metallirengas pölysäiliöstä. **[10]**
8. Vedä yksinkertainen pyörrejärjestelmä ja kierrä yksinkertaisen pyörrepuhdistimen putkea vastapäivään ja ota se pois. **[11]**
9. Pese suodatin ja yksittäinen sylklonijärjestelmä haaleassa vedessä ja anna kuivua 24 tunnin ajan. **[12,13]**
10. Asenna suodatin takaisin laitteeseen sen olessa täysin kuiva. **[14,15,16,17]**

HUOMAA: Älä käytä kuumaa vettä tai pesuaineita kun puhdistat moottorin esisuodatinta. Jos moottorin esisuodattimet jostain syystä vahingoittuvat, asenna tilalle Hooverin alkuperäinen varaosa.

Älä käytä laitetta ilman moottorin esisuodattimen asennusta ennen kuin pölysäiliö on kiinnitetty runko-osaan.

TÄRKEÄÄ: Pidä suodatintä aina puhtaana parhaan mahdollisen suorituskyvyn takaamiseksi.

Harjarullan ja suulakkeen puhdistus

TÄRKEÄÄ: Sammuta imurin virta aina ennen harjarullan vaihtoa ja puhdistusta.

1. Irrota suulake putkesta. **[19]**
2. Siirrä liukupainike oikealle, jolloin suulakeikkuna ponnahtaa auki. **[20]**
3. Avaa suulakeikkuna kokonaan poistaaksesi hybridiharjarullan. **[20]**
4. Pitele harjarullan vapautuksen päätykantta ja irrota harjarulla. **[21]**
5. Jos harjarullassa on likajäämiä, poista ne manuaalisesti tai puhdistustyökalun avulla. **[22]**
6. Jos suulakkeessa tai kamman ympärillä on likaa, poista se puhdistustyökalun harjalla. **[23]**
7. Käännä suulake ympäri ja tarkista sen pohjaosa varmistaaksesi, ettei suulakkeessa ole minkäänlaisia tukoksia. Puhdista alue tarvittaessa käyttämällä mukana olevan puhdistustyökalun koukkua. **[24]**
8. Käännä suulake alkuperäiseen asentoon ja kiinnitä harjarulla takaisin. Harjarullan voi asentaa vain yhteen suuntaan; paina sen päätä kevyesti varmistaaksesi, että harjarulla on paikallaan. **[25]**
9. Sulje ikkuna painamalla ikkunan keskialuetta, kunnes kuulet, että se napsahtaa paikalleen. Tarkista, että ikkuna on lukittu kunnolla painamalla sen molempia sivuja. **[26]**

HUOMAA: Varmista, että suutinikkuna on täysin suljettu ennen käyttöä. Jos ikkuna on auki, suulake ei käynnisty.

Akkujen vaihtaminen

Imuriin sopii ladattava litiumioniakku, joka on mahdollista vaihtaa.

VAROITUS: Asenna imuriin vain hyväksytyjä varaosia. Varaosien, jotka eivät ole Hooverin hyväksymiä, käyttäminen on vaarallista ja mitätöi takuun.

VAROITUS: Älä yritä avata ja korjata akkua itse.

1. Paina akun vapautuspainiketta ja vedä akkua ulospäin. **[2b]**
2. Poista vanha akkupaketti ja laita tilalle uusi.
3. Kierrätä akut turvallisesti. Vie käytetyt akut kierrätyskeskukseen. Älä hävitä niitä kotitalousjätteen mukana.

* Vain joissakin malleissa

VIANMÄÄRITYS

Mikäli sinulla on mitään ongelmia imurisi kanssa, noudata seuraavaa yksinkertaista tarkistuslistaa ennen kuin soitat valtuutettuun Hoover-huoltoliikkeeseen:

A. Imuri ei käynnisty

Tarkista imurin lataus
Tarkista, onko akku asennettu paikalleen.

B. Imuri lakkaa toimimasta

Tarkista, onko harjarullassa tukosta, puhdista se ja varmista, että akku on irrotettu. Kun tämä on tehty, paina on/off-painiketta, jolloin laite käynnistyy uudelleen.
Tyhjennä pölysäiliö ja pese moottorin esisuodatin, yksinkertainen pyörrepuhdistin ja sen putki ja pyörre-erotin. Irrota suulake ja putki. Tarkista, onko niissä tukkeumia.

C. Imun vähäisyys tai ei imua

Tyhjennä pölysäiliö ja pese moottorin esisuodatin ja yksinkertainen pyörrejärjestelmä.
Irrota suulake ja putki. Tarkista, onko niissä tukkeumia.

D. Akkuja ei voida ladata

Ota yhteyttä valtuutettuun Hoover huoltoliikkeeseen, mistä voit ostaa uudet akut.
Mikäli ongelma ei ratkea, ota yhteyttä valtuutettuun Hoover- huoltoliikkeeseen.
Voi johtua pitkästä (yli puolen vuoden) varastointijaksosta.

E. Suutin ei toimi

Tarkista, onko suutinikkuna suljettu kunnolla.

HOOVER-VARAOSAT JA -TARVIKKEET

Käytä vain alkuperäisiä Hoover-varaosia. Niitä on saatavana paikalliselta Hoover-jälleenmyyjältä tai valtuutetusta huoltoliikkeestä. Mainitse varaosatilauksen yhteydessä laitteen tyyppinumero.

TAKUU

Tämän laitteen takuehdot määrittelee ostamaan Hoover-edustaja. Yksityiskohtaiset tiedot näistä ehdoista saa laitteen myyneeltä jälleenmyyjältä. Tämän takuun mukaisia vaateita esitettäessä on esitettävä myyntitodistus tai ostokuitti.

TÄRKEÄÄ: Tämän imurin akun takuu on 6 kuukautta ostopäivästä. 6 kuukauden jälkeen asiakkaan on maksettava uusi akku.

Oikeus muutoksiin pidätetään.

INSTRUKTIONER FÖR SÄKER ANVÄNDNING

Som beskrivs i denna bruksanvisning, får denna apparat endast användas vid städning av hemmet. Se till att du förstår anvisningarna helt innan du börjar använda maskinen.

Stäng alltid av och ta bort laddaren från uttaget innan du rengör apparaten eller utför något underhåll.

Den här apparaten kan användas av barn från 8 års ålder och personer med en nedsatt fysisk, sensorisk eller mental förmåga och som inte har erfarenhet och kunskaper som behövs, förutsatt att de övervakas eller har fått instruktioner om hur apparaten används på ett säkert vis, och förstår riskerna som är involverade. Barn får inte leka med apparaten. Rengöring och underhåll som användaren ska utföra, får inte göras av barn utan överinseende.

Om nätsladden är skadad, sluta då omedelbart att använda produkten. För att undvika säkerhetsrisker så måste en behörig Hoover-servicetekniker byta nätsladden.

Använd endast den ursprungliga laddaren som följer med apparaten.

Kontrollera att din nätspänning är samma som är angiven på laddaren. Denna Hoover produkt levereras med en dubbelisolerad batteriladdare som endast är lämplig i ett 230V (Storbritannien 240V) uttag.

Koppla in laddaren i lämpligt eluttag och anslut laddaren till apparaten.

Batterilampan kommer att lysa röd under laddning och vit när laddningen är slutförd.

Anslut apparaten till laddaren igen efter användning för att ladda batteriet.

Ladda aldrig batterier i temperaturer över 37°C eller under 0°C. Det är normalt att laddaren blir varm när laddning pågår.

Koppla ur laddaren vid långvarig frånvaro (semester, etc.). Ladda produkten igen innan användning då batterierna kan själv urladdas under förlängd förvaring.

Använd endast tillbehör, förbrukningsvaror och reservdelar som rekommenderas eller levereras av Hoover.

Statisk elektricitet: vissa mattor kan orsaka en liten uppbyggnad

av statisk elektricitet. Elektrostatiska urladdningar är inte hälsofarliga.

Håll händer, fötter, lösa klädesplagg och hår borta från roterande borstar.

Dra inte ut kontakten till laddaren genom att dra i kabeln.

Använd inte apparaten utomhus eller på något vått underlag eller för våtdammsugning. Dammsug inte hårda eller vassa föremål, tändstickor, het aska, fimpar eller andra liknande föremål. Plocka inte upp eller spraya med brandfarliga vätskor, rengöringsmedel, aerosoler eller ångor. Kör inte över sladden när du använder apparaten eller dra ut kontakten genom att dra i sladden. Fortsätt inte att använda apparaten eller laddaren om den verkar vara defekt. Använd inte apparaten för att rengöra djur eller människor. Ersätt inte batterierna med icke-uppladdningsbara batterier.

Hoover service: För att se till att maskinen fortsätter att vara effektiv och fungerar som den ska rekommenderar vi att service och reparationer endast utförs av behöriga servicetekniker från Hoover.

Bortskaffande vid slutet av produktens livscykel

Om maskinen ska kasseras måste batterierna först tas bort. Maskinen måste kopplas bort från elnätet vid borttagning av batterierna. Kassera batterierna på ett säkert sätt. Kör apparaten tills den stannar på grund av att batterierna är helt urladdade. Använda batterier bör tas till en återvinningsstation och inte disponeras med hushållssoporna. För att ta bort batterierna, kontakta kundtjänsten på Hoover eller fortsätt enligt följande instruktioner.

VIKTIGT: Ladda alltid ur batterier helt innan de tas ut.

Kör apparaten tills det att batterierna är helt tomma. Dra ur laddarens stickpropp ur apparaten.

Tryck på batteriets frikopplingsknapp och skjut fram för att ta bort det.

OBS! Om du upplever några svårigheter med att montera ner enheten eller för mer information om hantering eller återvinning av den här maskinen, var god och kontakta dina lokala myndigheter eller din återvinningsstation.

Miljön:

Denna produkt är märkt enligt det europeiska direktivet 2011/65/EC gällande elektroniskt avfall och elektronisk utrustning (WEEE). Genom att se till att produkten avfallshandteras på rätt sätt kan du hjälpa till att hindra möjliga negativa konsekvenser för miljö och hälsa. Symbolen på produkten visar att den inte får hanteras som hushållsavfall. Den ska i stället lämnas in på en samlingsplats för återvinning av elektrisk och elektronisk utrustning. Avfallshandlingen ska utföras enligt de lokala miljöbestämmelserna. Mer utförlig information om hantering och återvinning av produkten kan du få från kommunen, återvinningsanläggningen eller den butik där du köpte produkten.



Denna apparat uppfyller de europeiska direktiven 2014/35/EU, 2014/30/EU och 2011/65/EU.

CANDY HOOVER GROUP S.r.l. Via Privata Eden Fumagalli, 20861 Brugherio (MB) Italy

PRODUKTKOMPONENTER

- | | |
|---|--|
| A. Väggfäste* | S. Frigöringsknapp för dammbehållaranordningen |
| B. Strömknapp | T. Batteri |
| C. Huvuddel | U. LED-lampa batterifack |
| D. Automatisk LED-lampa | V. Laddningsuttag batteri |
| E. Handhållen frigöringsknapp | W. Frigöringsknapp för batteripaket |
| F. Slang | X. Laddare |
| G. Knapp för frigörande av munstycke | Y. 2-i-1 stor damm- och möbelborste* |
| H. Främre LED-remsa på munstycke | Z. 2-i-1 Fogmunstycke och dammborste* |
| I. Borstmunstyckets skyddsreglage | AA. Mini-Power munstycke* |
| J. Borstmunstyckets ändkåpa | AB. Tillbehörsadapter* |
| K. Munstyckets fönster | AC. Elementmunstycke* |
| L. Borstmunstycke | AD. Borste för djuprengöring* |
| M. PÅ/AV-knapp | AE. Multifunktions-toppverktyg* |
| N. Förmotorfilter | AF. Långt, flexibelt fogmunstycke* |
| O. Enkel cyklon Vortex Finder | AG. Väggmonteringskruvar* |
| P. Enkelt cyklonsystem | AH. Rengöringsverktyg |
| Q. Dammbehållare | AI. Tillbehörspåse* |
| R. Frigöringsknapp för dammbehållarens flik | |

FÖRBEREDA DIN DAMMSUGARE

1. Montera röret på munstycket tills du hör ett klick. **[1a]**
2. Montera huvudenheten på röret tills du hör ett klick. **[1b]**
3. Ladda enhetens batteri fullt genom att ansluta laddaren till batteripaketet. **[2a]**
Laddningstid är cirka 2,5 timmar Du kan även ladda batterisatsen när det har tagits ut ur produkten. **[2b]**
Batterilampan kommer att lysa röd under laddning och vit när laddningen är slutförd. **[3]**

OBS! För att ta bort munstycket, tryck på utlösningsknappen till munstycket och dra bort från dammsugaren.

OBS! Använd endast laddare som medföljde produkten.

VIKTIGT: Vid laddning måste dammsugaren vara avstängd. Du kan även ladda det avtagbara batteriet när det är avlägsnat från produkten. Det är normalt att laddaren blir varm när laddning pågår.

ANVÄNDNING

Det finns tre arbetslägen

- **STANDARDLÄGE:** När du trycker på strömbrytaren På/Av är dammsugaren redo för noggrann rengöring med det huvudsakliga motoriserade munstycket eller det motordrivna miniturbomunstycket. **[4]**
- **TURBOLÄGE:** Tryck på strömbrytaren på huvuddelen för full drift av produkten fullt ut för svåra rengöringsuppgifter. **[5]**
- **AUTOLÄGE:** När det huvudsakliga motoriserade munstycket eller miniturbomunstycket tas bort kommer produkten automatiskt att anpassas till den lägsta effektinställningen och tända den automatiska LED-lampan. **[6]**

* Endast vissa modeller

Om det krävs mer kraft för en svårare rengöringsuppgift, tryck på turbo-knappen på huvuddelen för att rotera genom de tillgängliga kraftlägena enligt dina uppgifter.

BATTERIANVÄNDNING

När batteriet laddas ur under rengöring är batteripaketets LED-lampa vit. När batterikapaciteten är lägre än 5 % börjar den VITA LED-lampan att blinka.

När detta händer bör du sluta rengöringen och omedelbart ladda batteriet. [2]

När produkten laddas måste brytaren på/av vara AV (OFF).

Du kan även ladda batterisatsen när det har tagits ut ur produkten.

Laddningstid är cirka 2.5 timmar. När batteriet är fulladdat lyser LED-lampan på batteriet vit.

OBS! Det är normalt att laddaren blir varm när laddning pågår. Använd endast laddare som medföljde produkten.

SÄKERHETSSKYDDSSYSTEM

För att säkerställa att produktens tillförlitlighet inte påverkas om den används under svåra förhållanden har produkten två integrerade säkerhetsskyddssystem.

1. Skyddssystemet kommer att agera om borststängan har blockerats eller är låst. När det har åtgärdats kommer borststängan att sluta rotera och den vita LED-remsan på munstyckets framsida blinkar 5 gånger. [18] Om detta händer ska du helt enkelt stänga av din produkt och ta bort blockeringen från borstmunstycket. Tryck på på-/av-knappen för att återuppta rengöringen och produkten kommer att starta om i normalt läge.

2. Det andra skyddssystemet griper in om munstycksfönstret inte stängs helt före användning. Om fönstret är öppet kommer munstycket inte att slås på. Om detta händer är det bara att stänga av produkten och säkerställa att munstyckets fönster stängs korrekt. Tryck på på-/av-knappen för att återuppta rengöringen och produkten kommer att starta om i normalt läge.

TILLBEHÖR*

2-I-1 FOGMUNSTYCKE OCH DAMMBORSTE*, 2-I-1 STOR DAMM- OCH MÖBELBORSTE*, LÅNGT, FLEXIBELT FOGMUNSTYCKE*, MULTIFUNKTIONS-TOPPVERKTYG * OCH MINI DRIVMUNSTYCKE*

De ovanstående tillbehören kan monteras direkt på huvudkroppen eller på röret. [6]

OBS! Avlägsna munstycket eller huvudkroppsenheten från röret genom att trycka på respektive frigöringsknapp och dra isär.

ELEMENTMUNSTYCKE * OCH BORSTE FÖR DJUPRENGÖRING*

Tillbehörsadapter* måste monteras vid användning av dessa två tillbehör. [6]

OBS! Det lilla turbomunstycket är perfekt för djuprengöring av ytor i textil (dvs. soffor) och för borttagning av påls. Rör det stadigt bakåt och framåt. Efter användning bör du använda en sax för att avlägsna hår/trådar som samlats på borsten om så krävs.

Det långa flexibla fogmunstycket är perfekt för rengöring av områden som är svåra att komma åt, exempelvis under möbler eller i bilen.

Elementmunstycket är perfekt för rengöring i och runt skåp, värmeelement och soffor.

Djuprengöringsborsten är användbar för att rengöra trånga utrymmen utan att repa ytor och bilens insida.

Multifunktionsverktyget är utformat för att enkelt rengöra ömtåliga ytor utan att repa och alla områden som är svåra att komma åt. Multifunktionsverktyget består av tre huvuddelar.

1. Fogmunstycke som är perfekt för att komma åt trånga utrymmen.
2. Dammborste som är perfekt för att rengöra ytor utan skador och repor.
3. Möbelmunstycke som är perfekt för att rengöra ytor som exempelvis soffor.

TILLBEHÖRSVÄSKA*

Ytterligare tillbehör kan förvaras i tillbehörsväskan.

RENGÖRINGSVERKTYG

Rengöringsverktyget är användbart för att rengöra det enkla cyklonsystemet, dammkoppen och munstycket.

VÄGGFÄSTE*

Montera väggfästet på väggen med hjälp av de två skruvarna som medföljer produkten för upphängning. [7]

UNDERHÅLL AV DAMMSUGAREN

Töm dammbehållaren

1. Tryck på den handhållna frigöringsknappen och ta bort röret. [1b]

* Endast vissa modeller

2. Tryck på frigöringsknappen för dammbehållarens flik för att lossa dammskålens flik och tömma innehållet. **[8a]**
3. Stäng klaffen till dammuppsamlaren. Du hör ett klickljud när den är låst.

OBS! Du rekommenderas att tömma dammuppsamlaren efter varje användning eller när dammet når upp till max-linjen.

Snabb daglig rengöring av dammbehållare

Öppna bara luckan till dammbehållaren och ta bort dammet med hjälp av rengöringsverktyget.

Använd kroken för att få ut det uppsamlade dammet i dammbehållaren. **[8b]**

Använd borststånden för att rengöra det fina damm som fastnat runt det enkla cyklonsystemet. **[10b]**

OBS! Det rekommenderas att rengöra dammkoppel efter tömning.

Rengör dammbehållare och filter

1. Tryck på rörets frigöringsknapp och avlägsna röret. **[1b]**
2. Tryck på frigöringsknappen för dammbehållarens flik för att lossa dammskålens flik och tömma innehållet. **[8]**
3. Stäng klaffen till dammuppsamlaren. Du hör ett klickljud när den är låst.
4. Tryck på frigöringsknappen till batteripaketet och avlägsna batteripaketet. **[2b]**
5. Tryck på dammbehållarens frigöringsknapp som sitter på baksidan av dammbehållaren och vrid den moturs genom att dra bort den från enheten. **[9]**
6. Ta bort förmotorfiltret och dra stödet från dammbehållaren. **[10]**
7. Ta bort det enkla cyklonsystemet och dra metallringen från dammbehållaren. **[10]**
8. Dra i det enkla cyklonsystemet och vrid det enkla cyklon Vortex Finder moturs och ta sedan ut den. **[11]**
9. Rengör filtret och enkelcyklonsystemet i ljummet vatten och låt torka i 24 timmar. **[12,13]**
10. Montera ihop när det är helt torrt och sätt tillbaka det i produkten. **[14,15,16,17]**

OBS! Använd inte varmt vatten eller rengöringsprodukter vid rengöring av förmotorfiltret. Om förmotorfiltret mot förmodan skulle skadas, ska det ersättas med ett originalfilter från Hoover.

Använd inte produkten utan att förmotorfiltret är monterat innan du monterar dammbehållaren på huvuddelen.

VIKTIGT: För optimal prestanda bör du alltid hålla filtret rent.

Rengöra borststången och munstycket

VIKTIGT: Stäng alltid av dammsugaren innan du byter och rengör borstmunstycket.

1. Avlägsna munstycket från röret. **[19]**
2. Flytta reglaget till höger så öppnas munstyckets fönster. **[20]**
3. Öppna munstyckets fönster helt för att ta bort hybridborststången. **[20]**
4. Håll i borstmunstycket. Lossa ändkåpen och ta bort borstmunstycket. **[21]**
5. Om det finns smuts kvar på borststången ska du ta bort den manuellt eller med rengöringsverktyget. **[22]**
6. Om det finns smuts inuti munstycket eller runt kammen ska du ta bort den med borsten på rengöringsverktyget. **[23]**
7. Vrid på munstycket och kontrollera undersidan för att se till att munstycket är helt fritt från alla blockeringar. Vi behov kan du rengöra området med kroken på rengöringsverktyget som medföljer. **[24]**
8. Vrid munstycket till ursprungsläget och sätt tillbaka borststången. Borstmunstycket kan bara passa i en riktning. Tryck på änden något för att se till att borstmunstycket är på plats. **[25]**
9. Stäng fönstret genom att trycka på mitten av fönstret tills du hör att det "klickar" på plats. Kontrollera att fönstret är helt låst genom att trycka på båda sidorna. **[26]**

OBS! Se till att munstyckets fönster är helt stängt innan användning. Om fönstret är öppet kommer munstycket inte att slås på.

Byta batterier

Denna dammsugare är utrustad med ett laddningsbart litiumionbatteri som är utbytbart.

WARNING: Använd endast godkända reservdelar för din dammsugare. Användning av delar som inte är godkända av Hoover är farligt och kan ogiltigförklara din garanti.

WARNING: Försök inte att öppna batteripaketet och reparera det själv.

1. Tryck på frigöringsknappen till batteripaketet och dra ut batteriet. **[2b]**
2. Ta bort det gamla batteripaketet och byt ut det med det nya batteripaketet.
3. Kassera batterierna på ett säkert sätt. Använda batterier bör tas till en återvinningsstation och inte disponeras med hushållssoporna.

* Endast vissa modeller

FELSÖKNING

Om du har något problem med din dammsugare, följ denna enkla checklista innan du ringer Hoover kundtjänstcenter:

A. Dammsugaren slår inte på

Kontrollera om dammsugaren är laddad
Kontrollera att batterisatsen sitter på plats.

B. Dammsugaren slutat fungera

Kontrollera om det finns ett hinder i borststängan. Rensa bort det och se till att batteripaketet är borttaget.
När detta är klart, tryck på ON/OFF-brytaren. Produkten kommer att starta om.
Töm dammkoppen och rengör förmotorfiltret, den enkla cyklonen, Vortex Finder och cyklonseparator.
Ta bort munstycket och röret och kontrollera om det finns några blockeringar i kanalen.

C. Förlust av insugningstryck eller inget sug alls

Töm dammbehållaren och tvätta förmotorfiltret och det enkla cyklonsystemet.
Ta bort munstycket och röret och kontrollera om det finns några blockeringar i kanalen.

D. Batterierna kan inte laddas

Kontakta Hoovers kundtjänst för att ordna batteribyte.
Om problemet kvarstår kontakta Hoovers kundtjänstcenter.
Det kan bero på att den har förvarats under en väldigt lång period (mer än ett halvår).

E. Munstycket fungerar inte

Kontrollera om munstyckets fönster är helt stängt.

HOOVER RESERVDELAR OCH FÖRBRUKNINGSVAROR

Använd alltid originaldelar från Hoover vid byte. Du kan beställa delar från närmaste Hoover-återförsäljare eller direkt från Hoover. Uppge alltid modellnummer när du beställer delar.

DIN GARANTI

Garantivillkoren för produkten definieras av vår representant i det land där produkten säljs. Du kan få uppgifter om aktuella villkor från återförsäljaren. Kvittot måste visas upp när man kräver ersättning enligt garantin.

VIKTIGT: Batteriet i denna dammsugare har en garanti på 6 månader från den dag den köptes. Efter 6 månader är kunden själv ansvarig för kostnaden för ett nytt batteri.

Specifikationerna kan ändras utan föregående meddelande.

ΟΔΗΓΙΕΣ ΑΣΦΑΛΟΥΣ ΧΡΗΣΗΣ

Η συσκευή πρέπει να χρησιμοποιείται αποκλειστικά για οικιακή χρήση, σύμφωνα με τις οδηγίες χρήσης. Πριν δοκιμάσετε να χρησιμοποιήσετε τη συσκευή, βεβαιωθείτε ότι έχετε κατανοήσει τις οδηγίες που περιέχει το βιβλίο που κρατάτε στα χέρια σας.

Πριν από τον καθαρισμό της συσκευής ή οποιαδήποτε εργασία συντήρησης, να απενεργοποιείτε πάντα τη συσκευή και να βγάζετε το φορτιστή από την πρίζα.

Η χρήση της συσκευής από παιδιά άνω των 8 ετών, ηλικιωμένους και ΑΜΕΑ προϋποθέτει την παρουσία ενήλικα που θα φέρει την ευθύνη για την ασφαλεία τους. Η χρήση της συσκευής από άτομα που δεν έχουν εξοικειωθεί στη χρήση παρόμοιων συσκευών μπορεί να γίνει μόνο αφού γίνει κατανοητός ο κίνδυνος που ενέχει η χρήση της συσκευής. Μην αφήνετε τα παιδιά να παίζουν με τη συσκευή. Οι εργασίες καθαρισμού και συντήρησης της συσκευής δεν πρέπει να γίνονται από τα παιδιά χωρίς την επίβλεψη ενήλικα που θα φέρει την ευθύνη για την ασφαλεία τους.

Εάν το καλώδιο σύνδεσης με το δίκτυο παροχής εμφανίσει φθορές διακόψτε την λειτουργία της συσκευής αμέσως. Η αντικατάσταση του καλώδιου σύνδεσης με το δίκτυο ηλεκτρικής ενέργειας, πρέπει για λόγους ασφάλειας, να γίνεται αποκλειστικά από τεχνικό του δικτύου τεχνικής υποστήριξης Gias Service.

Χρησιμοποιείτε μόνο τον αυθεντικό φορτιστή που παρέχεται με τη συσκευή.

Ελέγξτε ότι η τάση τροφοδοσίας είναι η ίδια με αυτή που αναγράφεται στο φορτιστή. Η συσκευή Candy διατίθεται με φορτιστή μπαταρίας με διπλή μόνωση, ο οποίος είναι κατάλληλος μόνον για πρίζες με τάση 230 V (240 V - Ηνωμένο Βασίλειο).

Βάλτε τον φορτιστή σε κατάλληλη πρίζα και συνδέστε το βύσμα του φορτιστή στη συσκευή.

Η λυχνία LED της μπαταρίας θα ανάψει με κόκκινο χρώμα κατά τη διάρκεια της φόρτισης και θα μετατραπεί σε ΛΕΥΚΟ όταν είναι πλήρως φορτισμένη.

Μετά τη χρήση, βάλτε τη συσκευή στον φορτιστή για την επαναφόρτιση της μπαταρίας.

Μη φορτίζετε ποτέ τις μπαταρίες σε θερμοκρασία μεγαλύτερη από 37°C ή μικρότερη από 0°C. Κατά την διάρκεια της φόρτισης ο φορτιστής θερμαίνεται.

Σε περίπτωση μακράς απουσίας (διακοπές, κλπ) αποσυνδέστε τον φορτιστή από την παροχή. Σε μακροχρόνιες περιόδους αποθήκευσης της συσκευής, επαναφορτίστε την συσκευή πριν την χρησιμοποιήσετε, καθώς οι μπαταρίες μπορεί να έχουν αδειάσει.

Χρησιμοποιείτε αποκλειστικά τα εξαρτήματα, αναλώσιμα ή ανταλλακτικά που συνιστώνται ή διατίθενται από τη Hoover.

Στατικός ηλεκτρισμός: ορισμένα χαλιά μπορεί να προκαλέσουν συσσώρευση στατικού ηλεκτρισμού. Τυχόν στατικές εκκενώσεις δεν είναι επικίνδυνες για την υγεία.

Μην πλησιάζετε τις περιστρεφόμενες βούρτσες με τα χέρια, τα πόδια, τα μαλλιά ή τα ρούχα σας.

Μην αποσυνδέετε το φορτιστή τραβώντας το καλώδιο.

Μη χρησιμοποιείτε τη συσκευή σας σε εξωτερικούς χώρους, σε υγρή επιφάνεια ή για τη συλλογή υγρών. Μην συλλέγετε με τη συσκευή σκληρά ή αιχμηρά αντικείμενα, ψιλή σκόνη ή χώματα, καυτή στάχτη, αποτσίγαρα ή άλλα παρόμοια αντικείμενα. Μην ψεκάζετε ή συλλέγετε εύφλεκτα υγρά, υγρά καθαρισμού, σπρέι ή τους ατμούς τους. Ενόσω χρησιμοποιείτε τη συσκευή δεν πρέπει να πατάτε επάνω στο καλώδιο, μην τραβάτε το καλώδιο για να αποσυνδέσετε τη συσκευή από την παροχή. Μη συνεχίσετε να χρησιμοποιείτε τη συσκευή ή το φορτιστή αν παρουσιάζουν βλάβη. Μη χρησιμοποιείτε τη συσκευή για να καθαρίζετε ζώα ή άτομα. Μην αντικαθιστάτε τις μπαταρίες με μη επαναφορτιζόμενες μπαταρίες.

Τεχνική Υποστήριξη Hoover: Για τις εργασίες συντήρησης ή αποκατάστασης κακής λειτουργίας ή βλάβης πρέπει να απευθύνεστε αποκλειστικά στα κέντρα τεχνικής υποστήριξης Hoover, έτσι εξασφαλίζετε την ασφαλή και αποτελεσματική λειτουργία της συσκευής.

Απορριψη στο τέλος του κύκλου ζωής του προϊόντος

Εάν η συσκευή πρόκειται να απορριφθεί, πρώτα πρέπει να αφαιρεθούν οι μπαταρίες. Η συσκευή πρέπει να αποσυνδεθεί από το ηλεκτρικό ρεύμα κατά την αφαίρεση των μπαταριών. Απορρίψτε τις μπαταρίες με ασφαλή τρόπο. Αφήστε τη συσκευή να λειτουργεί μέχρι να σταματήσει λόγω πλήρους αποφόρτισης των μπαταριών. Οι χρησιμοποιημένες μπαταρίες πρέπει να προσκομίζονται σε σημείο ανακύκλωσης και δεν πρέπει να απορρίπτονται με τα οικιακά απορρίμματα. Για να αφαιρέσετε τις μπαταρίες, επικοινωνήστε με το κέντρο εξυπηρέτησης πελατών της Hoover ή ακολουθήστε τις παρακάτω οδηγίες.

ΕΠΙΣΗΜΑΝΣΗ: Αποφορτίστε τις μπαταρίες πριν τις αφαιρέσετε από τη συσκευή.

Λειτουργήστε τη σκούπα μέχρι να αδειάσουν πλήρως οι μπαταρίες. Βγάλτε το βύσμα του φορτιστή από τη συσκευή.

Πιέστε τα πλήκτρα απελευθέρωσης της μπαταρίας και σύρετε για να την αφαιρέσετε.

ΣΗΜΕΙΩΣΗ: Εάν συναντήσετε δυσκολίες κατά την αποσυναρμολόγηση της μονάδας ή για περισσότερες πληροφορίες για την διαδικασία ανάκτησης ή ανακύκλωσης της, επικοινωνήστε με την δημοτική αρχή

ή την υπηρεσία συλλογής οικιακών απορριμμάτων.

Για την προστασία του περιβάλλοντος:

Αυτή η συσκευή φέρει σήμανση σύμφωνα με την υπ' αριθμ. 2011/65/EK, οδηγία για Απόβλητα Ηλεκτρικού και Ηλεκτρονικού Εξοπλισμού (WEEE). Η σωστή απόσυρση της συσκευής συμβάλλει στην αποφυγή αρνητικών επιπτώσεων για το περιβάλλον και τον άνθρωπο που μπορεί να προκληθούν από την λανθασμένη διαχείριση στην διαδικασία απόσυρσης της συσκευής. Η σήμανση του προϊόντος επισημαίνει ότι το συγκεκριμένο προϊόν δεν πρέπει να απορρίπτεται μαζί με τα οικιακά απορρίμματα. Η συσκευή αυτή πρέπει να αποσύρεται στα ειδικά σημεία συγκέντρωσης για ανακύκλωση ηλεκτρικού και ηλεκτρονικού εξοπλισμού. Η απόρριψη της συσκευής πρέπει να γίνει σύμφωνα με την ισχύουσα κατά τόπο νομοθεσία για την απόρριψη ηλεκτρονικών και ηλεκτρικών αποβλήτων. Για περισσότερες πληροφορίες σχετικά με τη διαχείριση, την ανάκτηση και την ανακύκλωση του προϊόντος, επικοινωνήστε με την αρμόδια τοπική υπηρεσία, την υπηρεσία αποκομιδής οικιακών απορριμμάτων ή το κατάστημα που το αγοράσατε.



Αυτή η συσκευή πληροί τις υπ' αριθμ. 2014/35/EU, 2014/30/EU και 2011/65/EU Ευρωπαϊκές Οδηγίες.

CANDY HOOVER GROUP S.r.l. Via Privata Eden Fumagalli, 20861 Brugherio (MB) Italy

ΕΞΑΡΤΗΜΑΤΑ ΠΡΟΪΟΝΤΟΣ

- | | |
|---|---|
| A. Επιτοχία τοποθέτηση* | S. Κουμπί απελευθέρωσης συναρμολόγησης κάδου |
| B. Διακόπτης αφής ενεργοποίησης συσκευής | T. Συστοιχία μπαταριών |
| C. Κυρίως σώμα | U. Φως led συστοιχίας μπαταριών |
| D. Αυτόματο φως led | V. Υποδοχή φόρτισης μπαταρίας |
| E. Πλήκτρο Απασφάλισης Χειρολαβής | W. Κουμπί Απελευθέρωσης Συστοιχίας Μπαταριών |
| F. Σωλήνας | X. Φορτιστής |
| G. Πλήκτρο Απασφάλισης Ακροφυσίου | Y. 2 σε 1 Μεγάλο εργαλείο ξεσκονίσματος & μαλακών επιφανειών* |
| H. Εμπρόσθιος φωτισμός LED πέλματος | Z. Εργαλείο 2 σε 1 ρύγχος γωνιών και ξεσκονίσματος* |
| I. Διακόπτης απελευθέρωσης βούρτσας ξεσκονίσματος | AA. Μίνι ηλεκτρικό ακροφύσιο* |
| J. Κάλυμμα άκρου απελευθέρωσης βούρτσας ξεσκονίσματος | AB. Προσαρμογέας αξεσουάρ* |
| K. Παράθυρο ακροφυσίου | AC. Εργαλείο καλοριφέρ* |
| L. Βούρτσα | AD. Βούρτσα για βαθύ καθαρισμό* |
| M. Διακόπτης ON/OFF | AE. Εργαλείο πολλαπλών λειτουργιών για ψηλές επιφάνειες* |
| N. Φίλτρο πριν το μοτέρ | AF. Μακρύ εύκαμπτο εργαλείο γωνιών* |
| O. Εντοπιστής στροβίλου μονού κυκλώνα | AG. Βίδες επιτοχίας τοποθέτησης* |
| P. Σύστημα μονού κυκλώνα | AH. Εργαλείο καθαρισμού |
| Q. Κάδος σκόνης | AI. Τσάντα αποθήκευσης εξαρτημάτων* |
| R. Κουμπί απελευθέρωσης καπακιού κάδου | |

ΠΡΟΕΤΟΙΜΑΣΙΑ ΤΗΣ ΣΚΟΥΠΑΣ

- Συναρμολογήστε τον σωλήνα στο ακροφύσιο έως ότου ακούσετε το "κλικ" κουμπώματος. **[1a]**
- Συναρμολογήστε τη μονάδα του κύριου σώματος στο σωλήνα μέχρι να τον ακούσετε να "κουμπώνει" στη θέση του. **[1b]**
- Φορτίστε πλήρως την μπαταρία της συσκευής συνδέοντας το βύσμα του φορτιστή στη συστοιχία μπαταριών. **[2a]** Ο χρόνος φόρτισης είναι περίπου 2 ώρες. Μπορείτε να φορτίσετε την μπαταρία και αφού την αφαιρέσετε από την συσκευή. **[2b]** Η λυχνία LED της μπαταρίας θα ανάψει με κόκκινο χρώμα κατά τη διάρκεια της φόρτισης και θα μετατραπεί σε ΛΕΥΚΟ όταν είναι πλήρως φορτισμένη. **[3]**

ΣΗΜΕΙΩΣΗ: Για να αφαιρέσετε το ακροφύσιο, πιέστε το πλήκτρο απασφάλισης του ακροφυσίου και τραβήξτε το από το κυρίως σώμα της σκούπας.

ΣΗΜΕΙΩΣΗ: Για να φορτίσετε τη συσκευή χρησιμοποιείτε αποκλειστικά το φορτιστή που διατίθεται με τη σκούπα σας.

ΕΠΙΣΗΜΑΝΣΗ: Κατά τη φόρτιση, η σκούπα θα πρέπει να είναι απενεργοποιημένη. Μπορείτε επίσης να φορτίσετε την αποσπώμενη μπαταρία όταν αφαιρείται από το προϊόν. Κατά τη φόρτιση, ο φορτιστής θερμαίνεται.

ΟΔΗΓΙΕΣ ΧΡΗΣΕΩΣ

Υπάρχουν τρεις τρόποι λειτουργίας

- **ΚΑΝΟΝΙΚΟΣ ΤΡΟΠΟΣ:** Όταν πατάτε τον διακόπτη On/Off, η σκούπα είναι έτοιμη να καθαρίσει καλά με το κύριο μηχανοκίνητο ακροφύσιο ή το μίνι μηχανοκίνητο ακροφύσιο Mini Turbo. **[4]**
- **ΛΕΙΤΟΥΡΓΙΑ TURBO:** Πατήστε το κουμπί αφής στο σώμα της συσκευής για δύσκολες εργασίες καθαρισμού. **[5]**
- **ΛΕΙΤΟΥΡΓΙΑ ΑΥΤΟ (ΑΥΤΟΜΑΤΗ):** Όταν αφαιρεθούν το κύριο μηχανοκίνητο ακροφύσιο ή το ακροφύσιο Mini Turbo, το προϊόν θα προσαρμοστεί αυτόματα στη ρύθμιση χαμηλότερης ισχύος και θα ανάψει το Αυτόματο φως led. **[6]**

* Μόνο ορισμένα μοντέλα

Εάν απαιτείται περισσότερη ισχύς για μια πιο δύσκολη εργασία καθαρισμού, πατήστε το κουμπί αφής turbo στο κύριο σώμα για να αναλλάξετε τις διαθέσιμες λειτουργίες ισχύος για να ταιριάζουν στις ανάγκες σας.

ΧΡΗΣΗ ΜΠΑΤΑΡΙΑΣ

Όταν η μπαταρία αποφορτίζεται κατά τη διάρκεια της συνεδρίας καθαρισμού, η λυχνία LED της μπαταρίας είναι λευκή. Όταν η χωρητικότητα της μπαταρίας είναι μικρότερη από 5%, το λευκό LED θα αρχίσει να αναβοσβήνει.

Όταν συμβεί αυτό, θα πρέπει να σταματήσετε τον καθαρισμό και να φορτίσετε αμέσως την μπαταρία σας. [2]

Κατά τη φόρτιση του προϊόντος, ο διακόπτης λειτουργίας πρέπει να είναι στη θέση OFF.

Μπορείτε να φορτίσετε την μπαταρία ακόμη και εκτός του προϊόντος.

Ο χρόνος φόρτισης είναι περίπου 2.5 ώρες. Όταν η μπαταρία φορτιστεί πλήρως, η λυχνία LED στη μπαταρία θα ανάψει με λευκό χρώμα.

ΣΗΜΕΙΩΣΗ: Κατά τη φόρτιση, ο φορτιστής θερμαίνεται. Χρησιμοποιείτε μόνο τον φορτιστή που συνοδεύει τη συσκευή σας.

ΣΥΣΤΗΜΑ ΑΣΦΑΛΕΙΑΣ ΓΙΑ ΠΡΟΣΤΑΣΙΑ

Για να διασφαλιστεί ότι η αξιοπιστία του προϊόντος δεν επηρεάζεται εάν χρησιμοποιείται υπό δύσκολες συνθήκες, το προϊόν διαθέτει δύο ολοκληρωμένα συστήματα προστασίας ασφαλείας.

1. Το σύστημα προστασίας ασφαλείας θα ενεργοποιηθεί εάν η ράβδος βουρτσίσματος έχει μπλοκάρει ή είναι κλειδωμένη, μόλις ενεργοποιηθεί η βούρτσα θα σταματήσει να περιστρέφεται, η λευκή λωρίδα LED στο μπροστινό μέρος του ακροφυσίου θα αναβοσβήσει 5 φορές. [18] Εάν συμβεί αυτό, απλώς απενεργοποιήστε το προϊόν σας και καθαρίστε την μπάρα. Για να συνεχίσετε το καθάρισμα, πατήστε το κουμπί on/off και το προϊόν θα επανεκκινήσει σε κανονική λειτουργία.

2. Το δεύτερο σύστημα προστασίας ασφαλείας θα ενεργοποιηθεί εάν το παράθυρο του ακροφυσίου δεν κλείσει τελείως πριν από τη χρήση. Εάν το παράθυρο είναι ανοιχτό, το ακροφύσιο δεν θα ενεργοποιηθεί. Εάν συμβεί αυτό, απλώς απενεργοποιήστε το προϊόν σας και βεβαιωθείτε ότι το παράθυρο του ακροφυσίου έχει κλείσει σωστά. Για να συνεχίσετε το καθάρισμα, πατήστε το κουμπί on/off και το προϊόν θα επανεκκινήσει σε κανονική λειτουργία.

ΕΞΑΡΤΗΜΑΤΑ*

ΕΡΓΑΛΕΙΟ 2 ΣΕ 1 ΡΥΘΜΟΣ ΓΩΝΙΩΝ ΚΑΙ ΞΕΣΚΟΝΙΣΜΑΤΟΣ*, 2 ΣΕ 1 ΜΕΓΑΛΟ ΕΡΓΑΛΕΙΟ ΞΕΣΚΟΝΙΣΜΑΤΟΣ & ΜΑΛΑΚΩΝ ΕΠΙΦΑΝΕΙΩΝ*, ΜΑΚΡΥ ΕΥΚΑΜΠΤΟ ΡΥΘΜΟΣ ΓΩΝΙΩΝ*, ΕΡΓΑΛΕΙΟ ΠΟΛΛΑΠΛΩΝ ΛΕΙΤΟΥΡΓΙΩΝ ΨΗΛΩΝ ΕΠΙΦΑΝΕΙΩΝ * ΚΑΙ ΜΙΝΙ ΑΚΡΟΦΥΣΙΟ*

Τα παραπάνω εξαρτήματα μπορούν να τοποθετηθούν απευθείας στη μονάδα του κυρίως σώματος ή στον σωλήνα. [6]

ΣΗΜΕΙΩΣΗ: Για να αφαιρέσετε το ακροφύσιο ή τη μονάδα κύριου σώματος από τον σωλήνα, πατήστε το αντίστοιχο κουμπί απελευθέρωσης και τραβήξτε το προς τα έξω.

ΕΡΓΑΛΕΙΟ ΚΑΛΟΡΙΦΕΡ * ΚΑΙ ΒΟΥΡΤΣΑ ΓΙΑ ΒΑΘΥ ΚΑΘΑΡΙΣΜΟ*

Ο προσαρμογέας εξαρτήματος* πρέπει να τοποθετηθεί όταν χρησιμοποιείτε αυτά τα 2 εξαρτήματα. [6]

ΣΗΜΕΙΩΣΗ: Το ακροφύσιο μίνι turbo είναι ιδανικό για βαθύ καθαρισμό υφασμάτων (π.χ. καναπέδες) και απομάκρυνση τριχώματος κατοικίδιων. Μετακινήστε το σταθερά εμπρός και πίσω. Μετά τη χρήση, αφαιρέστε τρίχες/κλωστές που μαζεύονται στη βούρτσα με ψαλίδι αν χρειαστεί.

Το μακρύ εύκαμπτο εργαλείο για σχισμές είναι ιδανικό για καθαρισμό δύσκολων σημείων, κάτω από έπιπλα και για το αυτοκίνητο.

Το εργαλείο καλοριφέρ είναι ιδανικό για καθαρισμό μέσα και γύρω από ερμάρια, καλοριφέρ και καναπέδες.

Η βούρτσα για βαθύ καθαρισμό είναι χρήσιμη για να καθαρίζετε στενούς χώρους χωρίς να φθείρετε τις γύρω επιφάνειες αλλά και για το αυτοκίνητο.

Το εργαλείο πολλαπλών λειτουργιών έχει σχεδιαστεί για να καθαρίζει εύκολα σημεία και ευαίσθητες επιφάνειες δύσκολης πρόσβασης χωρίς να χαράζει. Το εργαλείο πολλαπλών λειτουργιών αποτελείται από τρία κύρια μέρη.

1. Το εργαλείο για σχισμές είναι ιδανικό για στενούς χώρους.

2. Η βούρτσα ξεσκονίσματος είναι ιδανική για τον καθαρισμό επιφανειών χωρίς ζημιές και γδαρσίματα.

3. Το ακροφύσιο επίπλων είναι ιδανικό για τον καθαρισμό καναπέδων.

ΤΣΑΝΤΑ ΑΞΕΣΟΥΑΡ*

Τα πρόσθετα αξεσουάρ μπορείτε να τα αποθηκεύσετε στη τσάντα αξεσουάρ.

ΕΡΓΑΛΕΙΟ ΚΑΘΑΡΙΣΜΟΥ*

Το εργαλείο καθαρισμού είναι χρήσιμο για τον καθαρισμό του συστήματος μονού κυκλώνα, του κυπέλλου σκόνης και του ακροφυσίου.

ΕΠΙΤΟΙΧΙΑ ΤΟΠΟΘΕΤΗΣΗ*

Κρεμάστε την επιτοίχια βάση στον τοίχο, χρησιμοποιώντας τις δύο βίδες που περιλαμβάνονται στο προϊόν για να κρεμάσετε το προϊόν. [7]

* Μόνο ορισμένα μοντέλα

ΣΥΝΤΗΡΗΣΗ ΚΑΙ ΚΑΘΑΡΙΣΜΟΣ

Άδειασμα του δοχείου σκόνης

1. Πατήστε το κουμπί απελευθέρωσης και βγάλτε τον σωλήνα. **[1b]**
2. Πατήστε το κουμπί απελευθέρωσης περυσίου για να αποδεσμεύσετε το περυσίο του δοχείου σκόνης και να αδειάσετε τα περιεχόμενα. **[8a]**
3. Κλείστε το περυσίο δοχείου σκόνης, θα ακούσετε ένα κλικ όταν κλειδώσει καλά.

ΣΗΜΕΙΩΣΗ: Συνιστάται να αδειάζετε το δοχείο σκόνης μετά από κάθε χρήση ή όταν η σκόνη είναι μέχρι τη γραμμή μέγιστης πλήρωσης.

Γρήγορος καθημερινός καθαρισμός του δοχείου σκόνης

Απλά ανοίξετε το περυσίο του κάδου σκόνης και αφαιρέστε τη σκόνη με τη βοήθεια του εργαλείου καθαρισμού.

Χρησιμοποιήστε το άκρο με το άγκιστρο για να βγάλετε τη σκόνη που μαζεύεται στο δοχείο σκόνης. **[8b]**

Χρησιμοποιήστε το άκρο της βούρτσας για να καθαρίσετε τη λεπτή σκόνη που έχει κολλήσει γύρω από το σύστημα μονού κυκλώνα. **[10b]**

ΣΗΜΕΙΩΣΗ: Συνιστάται να καθαρίζετε το κύπελλο σκόνης μετά το άδειασμα.

Καθαρίστε το δοχείο σκόνης και το φίλτρο

1. Πατήστε το κουμπί απελευθέρωσης του σωλήνα και αφαιρέστε τον σωλήνα. **[1b]**
2. Πατήστε το κουμπί απελευθέρωσης περυσίου για να αποδεσμεύσετε το περυσίο του δοχείου σκόνης και να αδειάσετε τα περιεχόμενα. **[8]**
3. Κλείστε το περυσίο δοχείου σκόνης, θα ακούσετε ένα κλικ όταν κλειδώσει καλά.
4. Πατήστε το κουμπί απελευθέρωσης της μπαταρίας και αφαιρέστε τη μπαταρία. **[2b]**
5. Πατήστε το κουμπί απελευθέρωσης του δοχείου σκόνης που βρίσκεται στην πίσω πλευρά του δοχείου σκόνης και γυρίστε το αριστερόστροφα, τραβώντας το μακριά από τη μονάδα. **[9]**
6. Αφαιρέστε το φίλτρο πριν το μοτέρ τραβώντας το στήριγμα από το δοχείο σκόνης. **[10]**
7. Αφαιρέστε το σύστημα μονού κυκλώνα τραβώντας τον μεταλλικό δακτύλιο από το δοχείο σκόνης. **[10]**
8. Τραβήξτε το σύστημα μονού κυκλώνα και περιστρέψτε τον εντοπιστή στροβίλου μονού κυκλώνα αριστερόστροφα και στη συνέχεια αφαιρέστε το. **[11]**
9. Πλύνετε το φίλτρο και το σύστημα κυκλώνα σε χλιαρό νερό και αφήστε το να στεγνώσει για 24 ώρες. **[12,13]**
10. Συναρμολογήστε και πάλι όταν στεγνώσει εντελώς και βάλτε το ξανά στο προϊόν. **[14,15,16,17]**

ΣΗΜΕΙΩΣΗ: Μην χρησιμοποιείτε ζεστό νερό ή απορρυπαντικά κατά τον καθαρισμό του φίλτρου πριν τον κινητήρα. Στην απίθανη περίπτωση που το φίλτρο προ του κινητήρα καταστραφεί, τοποθετήστε γνήσιο ανταλλακτικό Hoover.

Μη χρησιμοποιείτε το προϊόν χωρίς να έχετε τοποθετήσει το φίλτρο πριν το μοτέρ, προτού συναρμολογήσετε το δοχείο σκόνης στο κυρίως σώμα.

ΕΠΙΣΗΜΑΝΣΗ: Για μέγιστη απόδοση, φροντίστε το φίλτρο σας να είναι πάντα καθαρό.

Καθαρισμός της βούρτσας και του ακροφυσίου

ΕΠΙΣΗΜΑΝΣΗ: Απενεργοποιείτε πάντα την σκούπα πριν αλλάξετε και καθαρίσετε τον κύλινδρο καθαρισμού.

1. Αφαιρέστε το ακροφύσιο από τον σωλήνα. **[19]**
2. Μετακινήστε τον διακόπτη προς τα δεξιά και το παράθυρο του ακροφυσίου θα ανοίξει. **[20]**
3. Ανοίξετε εντελώς το παράθυρο του ακροφυσίου για να αφαιρέσετε την υβριδική βούρτσα. **[20]**
4. Κρατήστε τη ράβδο βούρτσας, αφήστε το καλάκι του άκρου και αφαιρέστε τη ράβδο βούρτσας. **[21]**
5. Εάν υπάρχουν ακόμα υπολείμματα στη βούρτσα, αφαιρέστε τα με το χέρι ή με τη βοήθεια του εργαλείου καθαρισμού. **[22]**
6. Εάν υπάρχει βρωμιά μέσα στο ακροφύσιο ή γύρω από τη χτένα, αφαιρέστε τη χρησιμοποιώντας τη βούρτσα του εργαλείου καθαρισμού. **[23]**
7. Για να βεβαιωθείτε ότι το ακροφύσιο είναι απολύτως καθαρό από τυχόν εμπόδια, γυρίστε το ακροφύσιο και ελέγξτε κατά μήκος της κάτω περιοχής. Εάν απαιτείται, καθαρίστε αυτήν την περιοχή χρησιμοποιώντας το γάντζο του παρεχόμενου εργαλείου καθαρισμού. **[24]**
8. Γυρίστε το ακροφύσιο στην αρχική θέση και τοποθετήστε ξανά τη βούρτσα. Η βούρτσα μπορεί να μπει μόνο σε μία κατεύθυνση και πιέστε ελαφρά το άκρο για να βεβαιωθείτε ότι η βούρτσα είναι στη θέση της. **[25]**
9. Κλείστε το παράθυρο πατώντας τη μεσαία περιοχή του παραθύρου μέχρι να ακούσετε το «κλικ» στη θέση του. Ελέγξτε ότι το παράθυρο είναι πλήρως κλειδωμένο πατώντας και στις δύο πλευρές. **[26]**

ΣΗΜΕΙΩΣΗ: Βεβαιωθείτε ότι το παράθυρο του ακροφυσίου είναι τελείως κλειστό πριν από τη χρήση. Εάν το παράθυρο είναι ανοιχτό, το ακροφύσιο δεν θα ενεργοποιηθεί.

Αντικατάσταση μπαταριών

Αυτή η σκούπα είναι εφοδιασμένη με επαναφορτιζόμενη μπαταρία ιόντων λιθίου, η οποία αντικαθίσταται.

ΠΡΟΣΟΧΗ: Χρησιμοποιείτε μόνο εγκεκριμένα ανταλλακτικά για τη σκούπα σας. Η χρήση μη γνήσιων ανταλλακτικών Hoover είναι επικίνδυνη και θα ακυρώσει την εγγύησή της συσκευής.

* Μόνο ορισμένα μοντέλα

ΠΡΟΣΟΧΗ: Μην ανοίξετε τη συστοιχία μπαταριών για να την επισκευάσετε μόνοι σας.

1. Πατήστε το κουμπί απελευθέρωσης της συστοιχίας μπαταριών και τραβήξτε τη μπαταρία για να την αφαιρέσετε. **[2b]**
2. Αφαιρέστε την παλιά συστοιχία μπαταριών και αντικαταστήστε την με καινούρια.
3. Απορρίψτε τις μπαταρίες με ασφαλή τρόπο. Οι χρησιμοποιημένες μπαταρίες πρέπει να προσκομίζονται σε σημείο ανακύκλωσης και δεν πρέπει να απορρίπτονται με τα οικιακά απορρίμματα.

ΑΝΤΙΜΕΤΩΠΙΣΗ ΠΡΟΒΛΗΜΑΤΩΝ

Εάν αντιμετωπίσετε οποιοδήποτε πρόβλημα με τη σκούπα σας, πριν καλέσετε το Κέντρο Τεχνικής Υποστήριξης Hoover ακολουθείστε τις οδηγίες που αναγράφονται στον πίνακα:

A. Η σκούπα δεν τίθεται σε λειτουργία

- Ελέγξτε αν η σκούπα είναι φορτισμένη
- Ελέγξτε αν η μπαταρία έχει τοποθετηθεί στη θέση της.

B. Η σκούπα σταμάτησε να λειτουργεί

- Ελέγξτε εάν υπάρχει εμπόδιο στη ράβδο βούρτσας, καθαρίστε την και βεβαιωθείτε ότι έχει αφαιρεθεί η μπαταρία. Μόλις ολοκληρωθεί αυτό, πατήστε απλά τον διακόπτη ON/OFF και το προϊόν θα επανεκκινηθεί.
- Αδειάστε το δοχείο σκόνης και πλύνετε το φίλτρο πριν τον κινητήρα, τον Μονό Κυκλώνα, τον Ανιχνευτή Δίνης και τον διαχωριστή κυκλώνων.
- Αφαιρέστε το ακροφύσιο και ελέγξτε τον σωλήνα για τυχόν εμπόδια στον αγωγό.

C. Απώλεια απορρόφησης ή καθόλου απορρόφηση.

- Αδειάστε το δοχείο σκόνης και πλύνετε το φίλτρο πριν το μοτέρ και το Σύστημα μονού κυκλώνα.
- Αφαιρέστε το ακροφύσιο και ελέγξτε τον σωλήνα για τυχόν εμπόδια στον αγωγό.

D. Οι μπαταρίες δεν φορτίζονται

- Επικοινωνήστε με το Κέντρο Τεχνικής Υποστήριξης Hoover για να φροντίσετε για την αντικατάσταση των μπαταριών.
- Εάν το πρόβλημα παραμένει επικοινωνήστε με το Κέντρο Τεχνικής Υποστήριξης Hoover.
- Αυτό μπορεί να συμβεί εάν η συσκευή έχει να χρησιμοποιηθεί για μεγάλο διάστημα (πάνω από εξάμηνο).

E. Το ακροφύσιο δεν λειτουργεί

- Ελέγξτε εάν το παράθυρο του ακροφυσίου είναι τελείως κλειστό.

ΑΝΤΑΛΛΑΚΤΙΚΑ ΚΑΙ ΑΝΑΛΩΣΙΜΑ HOOVER

Όταν παραστεί η ανάγκη χρησιμοποιείτε αποκλειστικά γνήσια ανταλλακτικά Hoover. Τα ανταλλακτικά Hoover διατίθενται από τον τοπικό αντιπρόσωπο Hoover ή απευθείας από τη Hoover. Κατά την παραγγελία εξαρτημάτων να αναφέρετε πάντα τον αριθμό μοντέλου.

Η ΕΓΓΥΗΣΗ ΣΑΣ

Οι όροι ισχύος της εγγύησης της συσκευής καθορίζονται από τον αντιπρόσωπο της χώρας στην οποία έχει πραγματοποιηθεί η πώληση. Περισσότερες πληροφορίες σχετικά με τους όρους εγγύησης μπορείτε να ζητήσετε από τον αντιπρόσωπο που αγοράσατε τη συσκευή. Η προσκόμιση του τιμολογίου ή της απόδειξης αγοράς είναι βασική προϋπόθεση για την ισχύ της εγγύησης.

ΕΠΙΣΗΜΑΝΣΗ: Η μπαταρία σε αυτή τη συσκευή καθαρισμού καλύπτεται από την εγγύηση για 6 μήνες από την ημερομηνία αγοράς. Μετά από 6 μήνες ο πελάτης επιβαρύνεται με το κόστος της καινούργιας μπαταρίας.

Ο κατασκευαστής διατηρεί το δικαίωμα να επιφέρει αλλαγές χωρίς προγενέστερη ενημέρωση.

ИНСТРУКЦИИ ПО БЕЗОПАСНОМУ ИСПОЛЬЗОВАНИЮ

Данный прибор предназначен только для домашнего использования в соответствии с описанием, приведенным в настоящем Руководстве пользователя. Использование этого устройства в условиях, отличных от домашних, или с функциями, отличными от обычных функций домашнего хозяйства, такое как коммерческое использование исключено. Ненадлежащее использование устройства приводит к снижению срока его службы и прекращает действие гарантии производителя. Производитель не несет ответственности за повреждение устройства, убыток или потери, вызванные использованием. Прежде чем приступить к эксплуатации данного бытового электроприбора, убедитесь в том, что вы понимаете настоящее руководство.

Перед очисткой или обслуживанием всегда вынимайте вилку из розетки.

Данный прибор не предназначен для использования лицами (включая детей) с пониженными физическими, психическими или умственными способностями или при отсутствии у них опыта или знаний, если они не находятся под контролем или не проинструктированы об использовании прибора лицом, отвечающим за их безопасность. Дети должны находиться под присмотром для недопущения игры с прибором. Все упаковочные материалы должны храниться в недоступном для детей месте (риск удушья).

Если провод питания поврежден, немедленно отключите прибор. Во избежание несчастных случаев замену провода должен осуществлять только специалист авторизованного сервисного центра производителя.

Пользуйтесь только оригинальным зарядным устройством, входящим в комплект поставки прибора.

Убедитесь, что напряжение источника питания соответствует параметрам зарядного устройства. Это пылесос Hoover снабжен зарядным устройством с двойной изоляцией, которое подходит только для розетки 230В (240В в Великобритании).

Вставьте зарядное устройство в подходящую розетку и подсоедините разъем зарядного устройства к пылесосу.

Светодиодный индикатор аккумуляторной батареи будет гореть красным во время зарядки и станет белым при полной зарядке.

После использования всегда устанавливайте прибор на зарядное устройство с целью подзарядки аккумуляторной батареи.

Запрещается зарядка аккумуляторной батареи при температуре выше 37 °C или ниже 0 °C. Совершенно нормально, если во время зарядки коснуться зарядного устройства, то оно будет теплым.

Отключите зарядное устройство в случае длительного отсутствия (отпуск и т.д.) Зарядите пылесос снова перед использованием, так как аккумуляторная батарея может саморазрядиться за период

хранения.

Используйте только рекомендуемые производителем насадки, расходные материалы или запасные части.

Статическое электричество: Некоторые виды ковров могут накапливать небольшое количество статического электричества. Разряд статического электричества не представляет опасности для здоровья.

Не приближайте вращающиеся щетки к рукам, ногам, болтающейся одежде и волосам.

Никогда не отключайте зарядное устройство, потянув за провод.

Не применяйте прибор вне помещений, на влажных поверхностях или для сбора жидкостей. Не используйте прибор для сбора острых предметов, спичек, горячего пепла, окурков или аналогичных предметов. Не распыляйте или не собирайте горючие жидкости, чистящие средства, аэрозоли или прочие пары. Не перевозите пылесос через провод питания и не тяните за провод, вынимая вилку из розетки. Не используйте прибор или зарядное устройство, если они неисправны. Не используйте прибор для очистки животных или людей. Не используйте обычные непerezаряжаемые батареи вместо перезаряжаемых аккумуляторных батарей.

Сервисное обслуживание: Для обеспечения продолжительной, безопасной и эффективной работы данного бытового электроприбора любой вид ремонта рекомендуется производить только специалистом авторизованного сервисного центра производителя.

Окончание срока использования

При необходимости утилизации прибора выньте из него аккумуляторную батарею. Перед тем, как достать батарею, отключите прибор от электросети. Соблюдайте правила техники безопасности при утилизации аккумуляторной батареи. Используйте прибор до тех пор, пока батарея полностью не разрядится. Использованные аккумуляторные батареи необходимо сдавать в специальный пункт приема и не выбрасывать с обычными бытовыми отходами. Чтобы извлечь батарею, свяжитесь с авторизованным сервисным центром или следуйте приведенным далее инструкциям

ВНИМАНИЕ! Перед тем как извлечь батарею из пылесоса, убедитесь, что она полностью разряжена.

Для этого используйте пылесос до полной разрядки аккумуляторной батареи. Выньте вилку зарядного устройства из прибора.

Нажмите на кнопку извлечения аккумуляторной батареи и выньте ее из устройства.

Примечание: В случае возникновения каких-либо сложностей или при необходимости получения более подробной информации об обслуживании, утилизации и переработке данного прибора, обратитесь в местные органы власти или в местную службу по утилизации бытовых отходов.

Окружающая среда:

Прибор маркируется согласно Европейской директиве 2011/65/ЕС по отходам электрического и электронного оборудования (WEEE). Соблюдая правила утилизации данного электроприбора, вы помогаете предотвратить возможные отрицательные последствия для окружающей среды и здоровья человека, которые могли бы иметь место при неправильной утилизации данного устройства. Символ на данном устройстве означает, что его нельзя утилизировать как бытовые отходы. Его необходимо доставить в соответствующий пункт утилизации электрического и электронного оборудования. Утилизация должна проводиться в соответствии с местными правилами по защите окружающей среды и утилизации отходов. Для получения более подробной информации по обращению и переработке данного устройства обратитесь к городским властям, в службу утилизации бытовых отходов или в магазин, в котором было куплено изделие.



Данный прибор отвечает требованиям Европейских Директив 2014/35/EU, 2014/30/EU и 2011/65/EU.

CANDY HOOVER GROUP S.r.l. Via Privata Eden Fumagalli, 20861 Brugherio (MB) Italy

ПОЗНАКОМЬТЕСЬ С КОНСТРУКЦИЕЙ ВАШЕГО ПЫЛЕСОСА

- | | |
|---|---|
| A. Настенное крепление* | S. Зашелка контейнера для пыли |
| B. Сенсорное управление мощностью | T. Аккумуляторная батарея |
| C. Основное устройство | U. Светодиодный индикатор заряда батареи |
| D. Автоматический Светодиодный Свет | V. Разъем зарядного устройства |
| E. Кнопка отсоединения основного устройства | W. Кнопка извлечения аккумуляторной батареи |
| F. Труба | X. Зарядное устройство |
| G. Кнопка отсоединения основной насадки | Y. Насадка 2-в-1 для удаления пыли и уборки мебели* |
| H. Передняя светодиодная полоса согла | Z. 2-в-1 щелевая насадка и насадка для удаления пыли* |
| I. Ползунок отсоединения крышки валика электрощетки | AA. Миниэлектронасадка* |
| J. Торцевой колпачок отсоединения валика электрощетки | AB. Переходник для насадок* |
| K. Окошко насадки | AC. Насадка для очистки радиаторов* |
| L. Валик электрощетки | AD. Щетка для глубокой очистки* |
| M. Кнопка Вкл./Выкл. | AE. Насадка для уборки высоких поверхностей* |
| N. Промываемый фильтр | AF. Удлиненная гибкая щелевая насадка* |
| O. Вихревой уловитель циклонного сепаратора | AG. Винты для крепления к стене* |
| P. Единая Циклонная Система | AH. Щетка для очистки |
| Q. Контейнер для сбора пыли | AI. Сумка для аксессуаров* |
| R. Зашелка контейнера для пыли | |

ПОДГОТОВКА ПЫЛЕСОСА К РАБОТЕ

1. Установите насадку с одной стороны трубы до защелкивания. **[1a]**
2. Вставьте другую сторону трубы в основное устройство до щелчка. **[1b]**
3. Полностью зарядите аккумулятор прибора, подключив штекер зарядного устройства к батарейному блоку. **[2a]**
Приблизительное время зарядки составляет около 2 часов. Вы также можете зарядить аккумуляторную батарею отдельно, достав ее из пылесоса. **[2b]**

Светодиодный индикатор аккумуляторной батареи будет гореть красным во время зарядки и станет белым при полной зарядке. **[3]**

ПРИМЕЧАНИЕ: Чтобы снять насадку, нажмите на кнопку отсоединения основной насадки и снимите ее.

ПРИМЕЧАНИЕ: Для зарядки используйте только зарядное устройство, поставляемое с пылесосом.

ВНИМАНИЕ! При зарядке пылесос должен быть выключен. Вы также можете зарядить аккумуляторную батарею отдельно, достав ее из пылесоса. Совершенно нормально, если во время зарядки коснуться зарядного устройства, то оно будет теплым.

ЭКСПЛУАТАЦИЯ ПЫЛЕСОСА

Пылесос может работать в трех режимах

- **СТАНДАРТНЫЙ РЕЖИМ** При нажатии кнопки On/Off, пылесос готов к тщательной очистке с помощью основной движущейся насадки или движущейся мини турбощетки. **[4]**
- **РЕЖИМ ТУРБО:** Нажмите сенсорный регулятор мощности на корпусе, чтобы включить устройство на полную мощность для сложных задач по уборке. **[5]**

* Только у некоторых моделей

• **АВТОМАТИЧЕСКИЙ РЕЖИМ:** При съеме главной движущейся насадки или мини турбощетки, пылесос автоматически переключается на минимальное потребление мощности и активирует автоматический режим светодиодной подсветки. [6] Если требуется большая мощность для более сложных задач по уборке, нажмите сенсорную турбокнопку, чтобы путем прокручивания подобрать режим, который подходит для ваших целей.

ИСПОЛЬЗОВАНИЕ БАТАРЕИ

При разряде аккумулятора во время уборки, светодиодный индикатор аккумулятора горит белым цветом. Светодиодный индикатор начинает мигать белым цветом, когда заряд аккумулятора падает ниже 5%.

Когда это произойдет, вы должны прекратить чистку и немедленно зарядить аккумулятор. [2]

При зарядке устройства переключатель включения/выключения должен быть выключен.

Вы также можете зарядить аккумуляторную батарею отдельно, достав ее из пылесоса.

Приблизительное время зарядки составляет около 2,5 часов. Когда аккумулятор полностью зарядится, светодиод на батарее загорится белым светом.

ПРИМЕЧАНИЕ: Совершенно нормально, если во время зарядки коснуться зарядного устройства, то оно будет теплым. Используйте только зарядное устройство, поставляемое в комплекте с пылесосом.

СИСТЕМА ЗАЩИТЫ

Для гарантии надежности изделия при использовании в сложных условиях в нем предусмотрены две встроенные системы защиты.

1. Система защиты активируется при засорении или блокировке панели со щеткой. После запуска щетка перестает крутиться, световой индикатор на передней части сопла моргнет пять раз. [18] В таком случае просто отключите пылесос и устранили засор на валике электрощетки. Чтобы продолжить уборку, нажмите кнопку "Вкл./Выкл.", и прибор возобновит работу в обычном режиме.

2. Вторая система защиты включается, если окно сопла не до конца закрыто перед использованием. Если окно сопла открыто, сопло не включится. В таком случае, выключите пылесос и убедитесь, что окно сопла правильно закрыто. Чтобы продолжить уборку, нажмите кнопку "Вкл./Выкл.", и прибор возобновит работу в обычном режиме.

ДОПОЛНИТЕЛЬНЫЕ АКСЕССУАРЫ*

2-В-1 ЩЕЛЕВАЯ НАСАДКА И НАСАДКА ДЛЯ УДАЛЕНИЯ ПЫЛИ*, НАСАДКА 2-В-1 ДЛЯ УДАЛЕНИЯ ПЫЛИ И УБОРКИ МЕБЕЛИ*, УДЛИНЕННАЯ ГИБКАЯ ЩЕЛЕВАЯ НАСАДКА*, НАСАДКА ДЛЯ УБОРКИ ВЫСОКИХ ПОВЕРХНОСТЕЙ * И МИНИ НАСАДКА*

Эти аксессуары можно установить непосредственно на корпус или на трубу. [6]

ПРИМЕЧАНИЕ: Для отсоединения насадки или трубы от корпуса пылесоса, нажмите соответствующую кнопку отсоединения и потяните отсоединяемые части в разные стороны.

НАСАДКА ДЛЯ ОЧИСТКИ РАДИАТОРОВ * И ЩЕТКА ДЛЯ ГЛУБОКОЙ ОЧИСТКИ*

При использовании этих двух насадок необходимо установить переходник для насадок*. [6]

ПРИМЕЧАНИЕ: Мини турбощетка идеально подходит для очистки текстильных поверхностей (например, диванов) и удаления шерсти животных. Плавно перемещайте вперед и назад. После использования отрежьте ножницами намотавшиеся на щетку волосы или нитки.

Длинная гибкая щелевая насадка идеально подходит для очистки труднодоступных участков, в том числе под мебелью и в автомобиле.

Инструмент для радиатора идеально подходит для очистки внутри и вокруг шкафов, радиаторов и диванов.

Щетка для глубокой очистки полезна при уборке в узких пространствах без риска поцарапать поверхности, а также при уборке внутри автомобиля.

Многофункциональная насадка предназначена для очистки деликатных поверхностей без царапин, а также для уборки в труднодоступных местах. Многофункциональная насадка состоит из трех частей.

1. Щелевая насадка идеально подходит для уборки узких пространств.
2. Щетка для уборки пыли идеальна для очистки поверхностей без риска повредить или поцарапать их.
3. Насадка для мебели идеальна для очистки таких поверхностей, как диван.

СУМКА ДЛЯ АКСЕССУАРОВ*

Дополнительные аксессуары можно хранить в специальной сумке.

ЩЕТКА ДЛЯ ОЧИСТКИ

Щетка для очистки подходит для очистки системы с одним циклоном, пылесборника и сопла.

НАСТЕННОЕ КРЕПЛЕНИЕ*

Закрепите настенный держатель изделия на стене с помощью винтов из комплекта поставки. [7]

* Только у некоторых моделей

ТЕХНИЧЕСКОЕ ОБСЛУЖИВАНИЕ ПЫЛЕСОСА

Опустошение контейнера для пыли

1. Нажмите кнопку отсоединения основного устройства и снимите трубу. **[1b]**
2. Нажмите на защелку пылесборника, чтобы извлечь пылесборник и опорожнить его. **[8a]**
3. Закройте откидную крышку; при этом вы услышите щелчок, если крышка закрыта правильно.

ПРИМЕЧАНИЕ: Рекомендуется опустошать контейнер после каждого использования или при его заполнении до максимальной отметки.

Быстрая ежедневная чистка контейнера для сбора пыли

Откройте крышку и удалите пыль при помощи специальной щетки для очистки.

Используйте крючок для извлечения пыли, накопившейся внутри контейнера. **[8b]**

Используйте щетку, чтобы очистить мелкую пыль, осевшую вокруг системы с одним циклоном. **[10b]**

ПРИМЕЧАНИЕ: Рекомендуется очистка пылесборника после его опорожнения.

Очистка контейнера для сбора пыли и фильтра.

1. Нажмите кнопку отсоединения трубы и снимите трубу. **[1b]**
2. Нажмите на защелку пылесборника, чтобы извлечь пылесборник и опорожнить его. **[8]**
3. Закройте крышку контейнера для пыли; при этом вы услышите щелчок, если крышка закрыта правильно.
4. Нажмите на кнопку извлечения аккумуляторной батареи и достаньте ее. **[2b]**
5. Нажмите кнопку отсоединения контейнера для пыли, расположенную на задней стороне контейнера, поверните его против часовой стрелки и потяните в противоположную от устройства. **[9]**
6. Снимите предмоторный фильтр, вытянув опору из контейнера для пыли. **[10]**
7. Снимите одиночную циклонную систему, вытягивая металлическое кольцо из контейнера для пыли. **[10]**
8. Вытяните одиночную циклонную систему и поверните одиночный циклонный вихревой искатель против часовой стрелки, а затем выньте его. **[11]**
9. Промойте фильтр и циклоническую систему в теплой воде, оставьте сохнуть в течение 24 часов. **[12,13]**
10. Полностью просушив, соберите фильтр и циклонный сепаратор, и установите их обратно в пылесос. **[14,15,16,17]**

ПРИМЕЧАНИЕ: Не используйте горячую воду или моющие средства, когда моете предмоторный фильтр. Повреждение предмоторного фильтра маловероятно, но если это произошло, то используйте на замену только оригинальный фильтр Hoover.

Прежде чем присоединить контейнер для пыли к основному корпусу, установите предмоторный фильтр.

ВНИМАНИЕ! Для обеспечения оптимальной производительности всегда следите, чтобы фильтр был чистым.

Очистка валика электрощетки и насадки

ВНИМАНИЕ! Обязательно выключайте пылесос перед заменой и очисткой валика электрощетки.

1. Снимите насадку с трубы. **[19]**
2. Переместите ползунок вправо, при этом откинется окошко насадки. **[20]**
3. Полностью откройте окошко насадки, чтобы вынуть гибридный валик электрощетки. **[20]**
4. Удерживая торцевой колпачок отсоединения валика электрощетки, снимите валик. **[21]**
5. Если на валике электрощетки осталась грязь, удалите ее вручную или с щетки для очистки. **[22]**
6. Если внутри насадки или вокруг гребня скопилась грязь, удалите ее с помощью щетки для очистки. **[23]**
7. Чтобы убедиться, что насадка полностью очищена от каких-либо препятствий, переверните ее и проверьте нижнюю часть. При необходимости очистите эту область с помощью крючка прилагаемой щетки для очистки. **[24]**
8. Поверните насадку в исходное положение и снова установите валик электрощетки. Валик электрощетки вставляется только в одном направлении, затем нужно слегка прижать торец, чтобы убедиться, что валик сел на место. **[25]**
9. Закройте окошко, прижав его посередине до щелчка. Убедитесь, что окошко полностью закрылось, прижав его с обеих сторон. **[26]**

ПРИМЕЧАНИЕ: Перед использованием убедитесь, что окно сопла полностью закрыто. Если окно сопла открыто, сопло не включится.

Замена аккумуляторной батареи

Пылесос идет в комплекте с заряжаемой литий-ионной аккумуляторной батареей, которая может быть заменена.

ВНИМАНИЕ: Используйте только авторизованные запасные части для вашего пылесоса. Использование запасных частей, которые не одобрены компанией Hoover, является опасным и приводит к аннулированию вашей гарантии.

ВНИМАНИЕ: Не пытайтесь вскрывать аккумуляторную батарею и ремонтировать ее самостоятельно.

1. Нажмите кнопку отсоединения аккумуляторного блока и вытяните аккумулятор наружу. **[2b]**
2. Замените старую батарею на новую.
3. Соблюдайте правила техники безопасности при утилизации аккумуляторной батареи. Использованные аккумуляторные батареи необходимо сдавать в специальный пункт приема и не выбрасывать с обычными бытовыми отходами.

* Только у некоторых моделей

ПОИСК И УСТРАНЕНИЕ НЕИСПРАВНОСТЕЙ

Если у вас есть какие-либо проблемы с пылесосом, пожалуйста, выполните простую проверку перед звонком в авторизованный сервисный центр:

A. Пылесос не включается

Проверьте, заряжен ли пылесос

Проверьте, правильно ли установлена аккумуляторная батарея.

B. Пылесос перестал работать

Проверьте, есть засорение в панели щетки, очистите ее и убедитесь, что аккумулятор снят. После этого просто нажмите выключатель питания, и прибор запустится снова.

Очистите пылесборник и очистите предмоторный фильтр. Одиночный циклон. Вихревой искатель и циклонный сепаратор.

Снимите насадку и трубу, проверьте, нет ли засоров в канале.

C. Потеря или отсутствие мощности всасывания

Опорожните контейнер для пыли и промойте предмоторный фильтр и одиночную циклонную систему.

Снимите насадку и трубу, проверьте, нет ли засоров в канале.

D. Аккумуляторная батарея не заряжается

Свяжитесь с центром обслуживания клиентов для организации замены аккумуляторной батареи.

Если проблема не устранена, обратитесь в авторизованный сервисный центр.

Такое может случиться в результате длительного хранения без работы (более полугода).

E. Сопла не работают.

Проверьте, чтобы окно сопла было полностью закрыто.

ЗАПАСНЫЕ ЧАСТИ И РАСХОДНЫЕ МАТЕРИАЛЫ

При замене частей используйте только оригинальные запасные части и расходные материалы компании Hoover. Их можно приобрести у вашего местного дилера компании Hoover или в официальном интернет-магазине shop.hoover.ru (кроме запасных частей). При оформлении заказа на запасные части обязательно указывайте номер модели пылесоса.

УСЛОВИЯ ГАРАНТИИ

Условия гарантии для данного бытового электрического прибора определяются нашим представительством в стране, где этот электроприбор продан. Более подробную информацию об этих условиях вы можете получить у продавца или из гарантийного сертификата на данный прибор. В случае возникновения ситуации, покрываемой гарантийными обязательствами изготовителя, при обращении в уполномоченную сервисную организацию необходимо предъявить товарно-кассовый чек или иной документ, подтверждающий начало истечения гарантийного срока, предусмотренного условиями гарантии для данного прибора.

ВНИМАНИЕ! Производитель не берет на себя ответственность за ошибки в данной инструкции, возникшие в процессе печати. Производитель имеет право вносить в свои изделия изменения, которые он сочтет полезными для своих изделий, сохраняя при этом основные характеристики

Вся представленная в инструкции информация, касающаяся комплектации, технических характеристик, функций, цветовых сочетаний и т.д. носит информационный характер и ни при каких условиях не является публичной офертой. Изготовитель не устанавливает условия и положения покупки, они должны соответствовать требованиям регионального и/или национального законодательства страны продажи товаров.

INSTRUKCJE BEZPIECZNEGO UŻYTKOWANIA

Urządzenie to jest przeznaczone wyłącznie do użytku domowego w sposób opisany w niniejszej instrukcji użytkownika. Prosimy o dokładne zapoznanie się z instrukcją przed rozpoczęciem używania odkurzacza.

Należy zawsze wyłączyć i wyjąć ładowarkę z gniazdka przed przystąpieniem do czyszczenia urządzenia lub wykonaniem jakichkolwiek czynności konserwacyjnych.

Urządzenie mogą obsługiwać dzieci w wieku co najmniej 8 lat, a osoby o ograniczonych zdolnościach fizycznych, sensorycznych lub mentalnych, a także osoby nieposiadające odpowiedniego doświadczenia oraz wiedzy, jedynie pod warunkiem że odbywać się będzie to pod nadzorem lub po przeszkoleniu na temat bezpiecznego użycia urządzenia oraz związanych z nim zagrożeń. Dzieci nie mogą bawić się urządzeniem. Urządzenia nie mogą czyścić ani konserwować dzieci bez nadzoru.

Jeśli przewód zasilający uległ uszkodzeniu, należy natychmiast zaprzestać korzystania z urządzenia. Ze względów bezpieczeństwa, przewód zasilający powinien zostać wymieniony przez serwisanta autoryzowanego punktu serwisowego firmy Hoover.

Należy stosować wyłącznie ładowarkę dostarczoną wraz z urządzeniem.

Należy sprawdzić, czy napięcie zasilania w gniazdku jest zgodne z podanym na tabliczce znamionowej ładowarki. Niniejsze urządzenie Candy zasilane jest podwójnie izolowaną ładowarką akumulatorów, która może być podłączana do gniazd 230V (UK 240V).

Podłączyć ładowarkę od odpowiedniego gniazdka, a przewód ładowarki do urządzenia.

Dioda LED akumulatora zaświeci się na CZERWONO podczas ładowania i zmieni kolor na BIAŁY po całkowitym naładowaniu.

Po użyciu ponownie podłączyć urządzenie do ładowarki, aby doładować akumulator.

Nigdy nie ładować akumulatorów w temperaturze powyżej 37°C lub poniżej 0°C. Nieznaczne nagrzewanie się ładowarki podczas ładowania jest normalnym zjawiskiem.

W razie dłuższej nieobecności (urlop itp.) odłączyć ładowarkę od zasilania. Po dłuższej przerwie w eksploatacji urządzenie należy doładować przed użyciem, ponieważ bezczynność powoduje rozładowanie akumulatorów.

Należy korzystać wyłącznie z końcówek, materiałów eksploatacyjnych oraz części zamiennych zalecanych lub dostarczonych przez firmę Hoover.

Ładunki elektrostatyczne: odkurzanie niektórych dywanów może powodować niewielkie naelektryzowanie się urządzenia. Tego rodzaju ładunki elektrostatyczne nie stanowią zagrożenia dla zdrowia.

Nie zbliżać rąk, stóp, luźnej odzieży ani włosów do obracających się szczotek.

NIE wyjmować wtyczki ładowarki z gniazdka, ciągnąc za przewód zasilający.

Nie używać urządzenia na zewnątrz domu, do odkurzania mokrych powierzchni ani do zbierania wody. Nie wolno wciągać twardych lub ostrych przedmiotów, zapalek, gorącego popiołu, niedopałków papierosów ani innych podobnych przedmiotów. Nie spryskiwać łatwopalnymi cieczami, środkami czyszczącymi w aerozolu ani parą. Nie stąpać po przewodzie zasilającym podczas korzystania z urządzenia i nie wyjmować wtyczki, ciągnąc za przewód zasilający. Nie wolno kontynuować eksploatacji uszkodzonego urządzenia lub ładowarki. Nie używać urządzenia do odkurzania ludzi lub zwierząt. Nie wolno stosować jednorazowych baterii zamiast akumulatorów.

Serwis firmy Hoover: Aby zapewnić bezpieczne i sprawne działanie tego urządzenia, zalecamy zlecanie prac serwisowych lub napraw wyłącznie serwisantom autoryzowanego punktu serwisowego firmy Hoover.

Zakończenie użytkowania produktu Utylizacja

Jeżeli urządzenie ma być złomowane, należy z niego najpierw usunąć akumulatory. Podczas wyjmowania akumulatora urządzenie musi być odłączone od zasilania. Akumulatory należy utylizować w sposób bezpieczny dla środowiska. Włączyć urządzenie i pozwolić, aby pracowało aż do całkowitego wyczerpania akumulatorów. Zużyte akumulatory należy przekazać do recyklingu. Nie należy ich wyrzucać ze śmieciami domowymi. W celu wyjęcia akumulatorów należy skontaktować się z Centrum Serwisowym Hoover lub postępować zgodnie z następującymi instrukcjami.

WAŻNE: Przed usunięciem należy całkowicie rozładować akumulatory.

Włączyć odkurzacz i pozwolić, aby pracował aż do pełnego wyczerpania akumulatorów. Wyjąć wtyczkę przewodu ładowarki z urządzenia.

Naciśnij przyciski zwalniające zestaw baterii i wysuń go.

UWAGA: W razie napotkania jakichkolwiek problemów z demontażem lub w razie konieczności uzyskania dodatkowych informacji na temat sposobu utylizacji, złomowania i recyklingu urządzenia należy skontaktować się z lokalnym urzędem gminy lub komunalnym zakładem utylizacji odpadów.

Ochrona środowiska:

Niniejsze urządzenie posiada oznaczenia zgodnie z Dyrektywą Europejską nr 2011/65/WE w sprawie zużytego sprzętu elektrycznego i elektrotechnicznego (WEEE). Zapewniając prawidłowe złomowanie niniejszego urządzenia, przyczyniając się Państwo do ograniczenia ryzyka wystąpienia negatywnego wpływu produktu na środowisko i zdrowie ludzi, które mogłoby zaistnieć w przypadku niewłaściwej utylizacji urządzenia. Symbol umieszczony na produkcie lub na dołączonych do niego dokumentach oznacza, że niniejszy produkt nie jest klasyfikowany jako odpad z gospodarstwa domowego. Urządzenie należy zdać w odpowiednim punkcie utylizacji w celu recyklingu komponentów elektrycznych i elektronicznych. Urządzenie należy złomować zgodnie z lokalnymi przepisami w sprawie utylizacji odpadów. Dodatkowe informacje na temat sposobu utylizacji, złomowania i recyklingu urządzenia można uzyskać w lokalnym urzędzie miejskim, w komunalnym zakładzie utylizacji odpadów lub w sklepie, w którym produkt został zakupiony.



Urządzenie spełnia wymogi dyrektyw europejskich 2014/35/WE, 2014/30/WE oraz 2011/65/WE.

CANDY HOOVER GROUP S.r.l. Via Privata Eden Fumagalli, 20861 Brugherio (MB) Italy

KOMPONENTY URZĄDZENIA

- | | |
|---|---|
| <ul style="list-style-type: none"> A. Wspornik do montażu na ścianie* B. Sterowanie Dotykowe Mocy C. Obudowa D. Automatyczne podświetlenie E. Ręczny przycisk zwalniający F. Rura G. Przycisk zwalniania końcówki H. Pasek Led Przedniej Dyszy I. Suwak pokrywy zwolnienia wałka szczotki J. Osłona zwolnienia wałka szczotki K. Okno końcówki L. Wałek szczotka M. Wyłącznik N. Filtr przed silnikiem O. Rurka wirowa pojedynczego cyklonu P. System pojedynczego cyklonu Q. Pojemnik na kurz R. Przycisk zwalniający kłapkę pojemnika na kurz | <ul style="list-style-type: none"> S. Przycisk zwalnający zestaw pojemnika na kurz T. Zestaw akumulatorów U. Lampka ledowa akumulatora V. Wejście do ładowania akumulatora W. Przycisk zwalniający zestaw akumulatorów X. Ładowarka Y. Narzędzie 2w1 Duża szczotka do czyszczenia mebli* Z. Narzędzie 2 w 1 do czyszczenia szczelin* AA. Ssawka mini power* AB. Przejściówka do akcesoriów* AC. Szczotka do kaloryferów* AD. Szczotka do głębokiego czyszczenia* AE. Narzędzie wielofunkcyjne* AF. Długa elastyczna ssawka szczelinowa* AG. Śruby wspornika do montażu na ścianie* AH. Przyrząd do czyszczenia AI. Worek na akcesoria* |
|---|---|

PRZYGOTOWYWANIE ODKURZACZA

1. Zamocować rurę na szczotkę. Kliknięcie jest akustycznym potwierdzeniem właściwego montażu. **[1a]**
2. Połączyć korpus odkurzacza z rurą. Kliknięcie jest akustycznym potwierdzeniem właściwego montażu. **[1b]**
3. Należy całkowicie naładować akumulator urządzenia poprzez podłączenie wtyczkę typu „jack” ładowarki do zestawu akumulatorów. **[2a]**

Czas ładowania wynosi około 2 godzin. Baterię można naładować także po odłączeniu od produktu. **[2b]**

Dioda LED akumulatora zaświeci się na CZERWONO podczas ładowania

i zmieni kolor na BIAŁY po całkowitym naładowaniu. **[3]**

UWAGA: Aby wyjąć końcówkę, nacisnąć przycisk zwalniający końcówkę i wyciągnąć ją z obudowy odkurzacza.

UWAGA: Do ładowania należy stosować wyłącznie ładowarkę dostarczoną wraz z urządzeniem.

WAŻNE: Podczas ładowania odkurzacza musi być wyłączony. Akumulator można naładować także po jego odłączeniu od produktu. Nieznaczne nagrzewanie się ładowarki podczas ładowania jest normalnym zjawiskiem.

KORZYSTANIE Z ODKURZACZA

Dostępne są trzy tryby pracy

- **TRYB STANDARDOWY:** Po naciśnięciu przełącznika On/Off odkurzacza jest gotowy do rozpoczęcia dokładnego czyszczenia za pomocą głównej szczotki z napędem silnikowym lub ssawki Miniturbo z napędem silnikowym. **[4]**
- **TRYB TURBO:** Naciśnij dotykowy regulator mocy na głównym korpusie, aby w pełni zasilił produkt do trudnych zadań czyszczenia. **[5]**
- **TRYB AUTO:** Po zdjęciu głównej szczotki z napędem silnikowym lub ssawki Miniturbo odkurzacza automatycznie dostosuje się do najniższego ustawienia mocy i włączy automatyczne podświetlenie. **[6]**

* Tylko w niektórych modelach

Jeśli do trudniejszego zadania czyszczenia potrzebna jest większa moc, należy nacisnąć przycisk dotykowy turbo znajdujący się na głównym korpusie, aby wybrać tryb mocy dopasowany do konkretnych zadań.

WYCZERPANIE BATERII

Gdy akumulator rozładowuje się podczas sesji czyszczenia, dioda LED akumulatora jest biała. Gdy pojemność akumulatora będzie mniejsza niż 5%, biała dioda LED zacznie migać.

W przypadku wyczerpania baterii należy natychmiast przerwać odkurzanie i naładować akumulator. [2]

W czasie ładowania odkurzacza przełącznik on/off musi być ustawiony w pozycji OFF.

Baterię można naładować także po odłączeniu od produktu.

Czas ładowania wynosi około 2.5 godziny. Po całkowitym naładowaniu baterii, dioda LED zaświeci się na biało.

UWAGA: Nieznaczne nagrzewanie się ładowarki podczas ładowania jest normalnym zjawiskiem. Stosować wyłącznie ładowarkę dostarczoną w komplecie z odkurzaczem.

SYSTEM BEZPIECZEŃSTWA

Aby utrzymać niezawodność produktu nawet w przypadku jego użytkowania w trudnych warunkach, produkt posiada dwa zintegrowane systemy zabezpieczenia.

1. System bezpieczeństwa zadziała w przypadku zablokowania się szczotki, która, po zadziałaniu systemu, przestanie się obracać, a biały pasek LED z przodu dyszy zamiga 5 razy. [18] W takim przypadku należy wyłączyć urządzenie i usunąć zator z wałka szczotki. Aby zakończyć czyszczenie, należy nacisnąć przycisk ON/OFF; urządzenie wznowi pracę w normalnym trybie.

2. Drugi system bezpieczeństwa zadziała, jeśli otwór w dyszy nie zostanie całkowicie zamknięty przed użyciem. Jeśli otwór jest otwarty, dysza nie włączy się. W takim przypadku wystarczy wyłączyć produkt i upewnić się, że otwór dyszy jest prawidłowo zamknięty. Aby zakończyć czyszczenie, należy nacisnąć przycisk ON/OFF; urządzenie wznowi pracę w normalnym trybie.

DODATKOWE AKCESORIA*

NARZĘDZIE 2 W 1 DO CZYSZCZENIA SZCZELIN*, NARZĘDZIE 2W1 DUŻA SZCZOTKA DO CZYSZCZENIA MEBLI*, DŁUGA ELASTYCZNA SSAWKA SZCZELINOWA*, NARZĘDZIE WIELOFUNKCYJNE * I MINI SZCZOTKA POWER*
Akcesoria można zamocować do korpusu odkurzacza lub do rury. [6]

UWAGA: Aby odłączyć szczotkę lub korpus odkurzacza od rury, należy nacisnąć odpowiedni przycisk zwalniający.

SZCZOTKA DO KALORYFERÓW * I SZCZOTKA DO GŁĘBOKIEGO CZYSZCZENIA*

W przypadku korzystania z tych 2 akcesoriów należy zamontować adapter akcesoriów*. [6]

UWAGA: Szczotka miniturbo idealnie nadaje się do czyszczenia powierzchni tapicerowanych (np. sof) oraz do usuwania sierści zwierząt domowych. Miarowo przesuwać do przodu i do tyłu. Po użyciu należy usunąć sierść/kłaczki ze szczotki. W razie potrzeby użyć do tego nożyczek.

Długie elastyczne narzędzie do czyszczenia w szczelinach idealnie nadaje się do czyszczenia trudno dostępnych miejsc oraz przestrzeni pod meblami.

Szczotka do kaloryferów idealnie sprawdza się do odkurzania wewnątrz szafek i przestrzeni wokół nich, kaloryferów oraz kanap.

Szczotka do głębokiego czyszczenia służy do czyszczenia wąskich przestrzeni z delikatną powierzchnią oraz do czyszczenia wnętrza samochodu.

Wielofunkcyjne narzędzie do czyszczenia doskonale nadaje się do czyszczenia delikatnych powierzchni oraz do czyszczenia miejsc trudno dostępnych. Nie rysuje. Narzędzie wielofunkcyjne składa się z 3 głównych części.

1. Sssawka szczelinowa idealnie nadaje się do czyszczenia trudno dostępnych miejsc.

2. Szczotka do czyszczenia służy do czyszczenia delikatnych powierzchni. Nie rysuje.

3. Szczotka do mebli idealnie nadaje się do czyszczenia powierzchni tapicerowanych, takich jak kanapa.

WOREK NA AKCESORIA*

Dodatkowe akcesoria można przechowywać w worku na akcesoria.

PRZYRZĄD DO CZYSZCZENIA

Narzędzie czyszczące jest przydatne do czyszczenia pojedynczego systemu cyklonowego, pojemnika na kurz i dyszy.

WSPORNIK DO MONTAŻU NA ŚCIANIE*

Należy zawiesić uchwyt ścienny na ścianie za pomocą dwóch wkrętów dołączonych do produktu w celu zawieszenia produktu. [7]

* Tylko w niektórych modelach

KONSERWACJA URZĄDZENIA

Opróżnianie pojemnika na kurz

1. Naciśnij przycisk zwalniający i wyjmij rurę. **[1b]**
2. Naciśnij przycisk zwalniający klapkę pojemnika na kurz, aby zwolnić klapkę pojemnika na kurz i opróżnić zawartość. **[8a]**

3. Zamknąć klapkę pojemnika na kurz. Kiedy zaskoczy, oznacza to, że jest prawidłowo zablokowana.

UWAGA: Zaleca się opróżnianie pojemnika na kurz po każdym użyciu oraz zawsze wtedy, kiedy kurz sięga linii poziomu maksymalnego napełnienia.

Szybkie codzienne czyszczenie pojemnika na kurz

Wystarczy otworzyć klapkę pojemnika na kurz i usunąć kurz przyrządem do czyszczenia.

Użyj końcówki haka do wyciągnięcia kurzu zebranego wewnątrz pojemnika. **[8b]**

Użyj końcówki szczotki, aby oczyścić drobny pył znajdujący się wokół systemu pojedynczego cyklonu. **[10b]**

UWAGA: Zaleca się wyczyszczenie pojemnika na kurz po jego opróżnieniu.

Czyszczenie pojemnika na kurz i filtra

1. Naciśnij przycisk zwalniania rury i wyjmij rurę. **[1b]**
2. Naciśnij przycisk zwalniający klapkę pojemnika na kurz, aby zwolnić klapkę pojemnika na kurz i opróżnić zawartość. **[8]**
3. Zamknąć klapkę pojemnika na kurz. Kiedy zaskoczy, oznacza to, że jest prawidłowo zablokowana.
4. Naciśnij przycisk zwalniania akumulatorów i wyjmij akumulator. **[2b]**
5. Nacisnąć przycisk zwalniający pojemnik na kurz umieszczony z tyłu pojemnika na kurz i obrócić go w kierunku przeciwnym do ruchu wskazówek zegara, odsuwając go od odkurzacza. **[9]**
6. Zdjąć filtr, wyjmując wspornik ze zbiornika na kurz. **[10]**
7. Wyjąć system pojedynczego cyklonu, wyciągając metalowy pierścień z pojemnika na kurz. **[10]**
8. Pociągnij za system pojedynczego cyklonu i obróć rurkę wirową pojedynczego cyklonu w kierunku przeciwnym do ruchu wskazówek zegara, a następnie wyjmij ją. **[11]**
9. Umyć filtr i system pojedynczego cyklonu w letniej wodzie i pozostawić do wyschnięcia na 24 godziny. **[12,13]**
10. Po całkowitym wyschnięciu zmontować ponownie filtr. **[14,15,16,17]**

UWAGA: Nie używać gorącej wody ani detergentów do czyszczenia filtra przedsilnikowego. W mało prawdopodobnym przypadku uszkodzenia filtra przed silnikiem należy zamontować oryginalną część zamienną Hoovera.

Nie należy używać odkurzacza bez założonego filtra przed silnikiem przed włożeniem pojemnika na kurz do głównej obudowy.

WAŻNE: Aby zapewnić optymalną wydajność odkurzania, należy regularnie czyścić filtry.

Czyszczenie wałka szczotki oraz końcówki

WAŻNE: Zawsze wyłączać odkurzacz przed wymianą oraz czyszczeniem wałka szczotki.

1. Usunąć szczotkę z rury. **[19]**
2. Przesuń suwak w prawo, aby otworzyło się okienko końcówki. **[20]**
3. Całkowicie otworzyć okienko końcówki, aby wyjąć hybrydowy wałek szczotki. **[20]**
4. Przytrzymać osłonę zwolnienia wałka szczotki i wyjąć wałek. **[21]**
5. Jeśli na wałku szczotki pozostały zabrudzenia, usunąć je ręcznie lub za pomocą przyrządu do czyszczenia. **[22]**
6. Jeśli wewnątrz końcówki lub wokół grzebienia są zabrudzenia, usunąć je za pomocą szczotki przyrządu do czyszczenia. **[23]**
7. Aby zapewnić, że końcówka jest wolna od wszelkich zatorów, odwrócić dyszę i sprawdzić obszar u jej podstawy. Jeśli jest to konieczne, oczyścić ten obszar za pomocą haka dołączonego do przyrządu do czyszczenia. **[24]**
8. Odwrócić końcówkę z powrotem do pozycji początkowej i zamontować wałek szczotki. Wałek szczotki można zamontować tylko w jednym kierunku. Lekko docisnąć końcówkę, aby upewnić się, że wałek jest prawidłowo założony. **[25]**
9. Zamknąć okno. Nacisnąć w tym celu środkową część okna i upewnić się, że słychać kliknięcie. Sprawdzić, czy okno jest prawidłowo zamknięte. W tym celu docisnąć je z obu stron. **[26]**

UWAGA: Przed użyciem należy upewnić się, że otwór dyszy jest całkowicie zamknięty. Jeśli otwór jest otwarty, dysza nie włączy się.

Wymiana akumulatorów

Ten odkurzacz jest wyposażony w akumulator litowo-jonowy, który można wymieniać.

Ostrzeżenie: W odkurzaczu stosować wyłącznie zatwierdzone części zamienne. Używanie innych części niż te zatwierdzone przez firmę Hoover, jest niebezpieczne i powoduje utratę gwarancji urządzenia.

Ostrzeżenie: Nie próbować otwierać lub samodzielnie naprawiać zestawu akumulatorów.

* Tylko w niektórych modelach

1. Naciśnij przycisk zwalniania zestawu akumulatorów i wyjmij akumulator. [2b]
2. Wyjmij stary zestaw akumulatorów i wymień na nowy.
3. Akumulatory należy utylizować w sposób bezpieczny dla środowiska. Zużyte akumulatory należy przekazać do recyklingu. Nie należy ich wyrzucać ze śmieciami domowymi.

ROZWIĄZYWANIE PROBLEMÓW

W razie wystąpienia jakiegokolwiek problemu z urządzeniem przed skontaktowaniem się z lokalnym serwisem firmy Hoover należy przeprowadzić proste kontrole zgodnie z poniższą listą:

A. Odkurzacz się nie włącza

Sprawdź, czy odkurzacz jest naładowany
Upewnij się, że zestaw bateryjny jest poprawnie zamocowany.

B. Przerwanie pracy odkurzacza

Należy sprawdzić, czy pasek szczotki nie jest czymś blokowany, jeśli tak, należy usunąć przeszkodę i upewnić się, że akumulator jest wyjęty. Następnie należy po prostu nacisnąć przycisk ON/OFF: produkt uruchomi się ponownie.

Należy opróżnić pojemnik na kurz i umyć filtr wstępny, Pojedynczy Cyklon, Separator Wirowy i separator cyklonowy.

Zdjąć szczotkę i rurę, a następnie skontrolować je pod kątem ewentualnych zatorów w kanale.

C. Utrata mocy ssania lub brak ssania

Należy opróżnić pojemnik na kurz, wyczyścić filtr przed silnikiem oraz system pojedynczego cyklonu.

Zdjąć szczotkę i rurę, a następnie skontrolować je pod kątem ewentualnych zatorów w kanale.

D. Nie można naładować akumulatorów

Skontaktować się z centrum serwisowym firmy Hoover, aby zlecić wymianę akumulatorów.

Jeżeli problem nie znika, skontaktować się z centrum serwisowym firmy Hoover.

Może to wynikać z bardzo długiego okresu bezczynności (ponad pół roku).

E. Dysza nie działa

Należy sprawdzić, czy otwór jest całkowicie zamknięty.

CZĘŚCI ZAPASOWE I MATERIAŁY EKSPLOATACYJNE MARKI HOOVER

Należy zawsze wymieniać części na oryginalne części zapasowe firmy Hoover. Można je nabyć w lokalnym serwisie firmy Hoover lub bezpośrednio w firmie Hoover. Przy zamawianiu części zawsze należy podać numer danego modelu.

GWARANCJA

Warunki gwarancji na niniejsze urządzenie są określone przez naszego przedstawiciela w kraju, w którym urządzenie jest sprzedawane. Szczegółowe informacje na temat warunków gwarancji można uzyskać w punkcie, w którym urządzenie zostało nabyte. Przy zgłaszaniu wszelkich roszczeń w ramach gwarancji należy przedstawić dowód sprzedaży lub pokwitowanie.

WAŻNE: Bateria w tym odkurzaczu jest objęta gwarancją przez 6 miesięcy od daty zakupu. Po upływie 6 miesięcy klient ponosi koszt zakupu nowego akumulatora.

Zastrzegamy sobie możliwość wprowadzania zmian bez wcześniejszego powiadomienia.

NÁVOD K BEZPEČNÉMU POUŽITÍ

Tento vysavač by měl být používán pouze pro úklid domácnosti a v souladu s touto uživatelskou příručkou. Než začnete spotřebič používat, prosím, ujistěte se, že rozumíte tomuto návodu.

Po použití, před čištěním nebo jakoukoli údržbou zařízení vždy vypněte a síťový kabel vytáhněte ze zásuvky.

Tento přístroj smí používat děti od 8 let výše. Osoby se sníženými fyzickými, smyslovými nebo mentálními schopnostmi nebo s nedostatkem zkušeností a znalostí smí tento přístroj používat, pokud jsou pod dohledem nebo jim byly dány pokyny týkající se bezpečného používání a byly seznámeny s možnými riziky. S přístrojem si nesmí hrát děti. Čištění a údržbu nesmí provádět děti bez dozoru.

Jestliže je poškozen síťový kabel, okamžitě přestaňte zařízení používat. Síťový kabel musí vyměnit autorizovaný servisní technik společnosti Hoover, aby se předešlo ohrožení bezpečnosti.

K dobíjení používejte pouze nabíječku dodanou se zařízením.

Zkontrolujte, zda napětí a hodnoty uvedené na štítku nabíječky odpovídají napětí v místní síti. Tento vysavač společnosti Candy je vybaven dvojitě odizolovanou nabíjecí baterií, která je vhodná k zapojení pouze do zásuvky 230V (UK 240V).

Zapojte nabíječku do vhodné zásuvky a konektor nabíječky připojte k vstupu na vysavači.

Během nabíjení se rozsvítí LED dioda baterie ČERVENĚ a při plném nabití se rozsvítí BÍLE.

Po použití znovu připojte přístroj k nabíječce k dobíjení baterie.

Důležité: Nikdy nenabíjejte baterie při teplotě vyšší než 37°C nebo nižší než 0°C. Je běžné, že se nabíječka při nabíjení zahřívá.

V případě delší nepřítomnosti (dovolená apod.), nabíječku odpojte. Vysavač před použitím znovu dobijte, protože baterie se mohou při delší době skladování vybit.

Používejte výhradně příslušenství, spotřební materiály a náhradní díly doporučené nebo dodávané firmou Hoover.

Statická elektřina: Při čištění některých koberců vzniká malé množství statické elektřiny. Vzniklé výboje statické elektřiny

nejsou zdraví nebezpečné.

Udržujte dostatečnou vzdálenost rukou, nohou, volného oděvu a vlasů z dosahu otočných kartáčů.

Nevytahujte nabíječku ze zásuvky taháním za síťový kabel.

Nepoužívejte vaše zařízení venku, na mokré povrchy a na mokrá vysávání. Nevysávejte tvrdé nebo ostré předměty, zápalky, žhavý popel, cigaretové nedopalky a podobné předměty. Nestříkejte při používání vysavače nebo nevysávejte hořlavé kapaliny, čisticí tekutiny, aerosoly nebo jejich výpary. Během používání vysavače nepřejíždějte přes síťový kabel a nevytahujte síťový kabel ze zásuvky taháním za něj. Nepoužívejte vysavač nebo nabíječku, pokud vám připadají vadné. Nepoužívejte vysavač k čištění zvířat a osob. Nenahrazujte baterie jinými, které nelze dobít.

Autorizované servisní středisko Hoover najdete na internetových stránkách: www.hoover.cz/cs_CZ/servis.

Spolehlivý provoz a vysoká účinnost tohoto spotřebiče jsou zajištěny pouze v případě, že bude prováděn pravidelný servis a opravy, které musí zajišťovat autorizovaný servisní technik společnosti Hoover.

Likvidace použitých baterií

Před likvidací zařízení z něj nejprve vyjměte baterie. Před odstraněním baterie se ujistěte, že je výrobek odpojen od elektrické sítě. Zlikvidujte baterie bezpečně a ekologicky. Používejte zařízení dokud baterie nejsou plně vybité. Použité baterie by měly být přijaté do recyklační stanice a nesmějí být vyhazované dohromady s domovním odpadem. Pro vyjmutí baterií prosím kontaktujte Zákaznické servisní středisko Hoover, které najdete na internetových stránkách www.hoover.cz/cs_CZ/servis nebo postupujte podle následujících pokynů:

DŮLEŽITÉ: Před vyjmutím je nutno baterii zcela vybit.

Používejte vysavač, dokud nebudou baterie zcela vybité. Odpojte nabíječku od spotřebiče.

Stiskněte tlačítko uvolnění baterie a posunutím jí vyndejte.

POZNÁMKA: Budete-li mít při demontáži jednotky jakékoli problémy nebo budete-li požadovat podrobnější informace o manipulaci, novém využití a recyklaci tohoto výrobku, kontaktujte, prosím, místní úřad nebo středisko sběrných surovin.

Životní prostředí:

Tento spotřebič je označen v souladu s Evropskou Směrnicí 2011/65/ES o omezení používání nebezpečných látek v elektrických a elektronických zařízeních (WEEE). Zajištěním správné likvidace tohoto výrobku pomůžete předcházet případným negativním důsledkům na životní prostředí a lidské zdraví, které by jinak mohly být způsobeny nesprávnou likvidací tohoto výrobku. Symbol na výrobku označuje, že tento výrobek nesmí být likvidován jako domovní odpad. Měl by být předán na příslušné místo sběru pro recyklaci elektrických a elektronických zařízení. Likvidace musí proběhnout v souladu s místními ekologickými předpisy pro likvidaci odpadu. Pro další detailní informace o zacházení, regeneraci a recyklaci tohoto výrobku prosím kontaktujte váš místní úřad, místní společnost pro sběr odpadu nebo obchod, kde jste jej zakoupili.



Tento výrobek je v souladu s Evropskými směrnici 2014/35/EU, 2014/30/EU a 2011/65/EU.

CANDY HOOVER GROUP S.r.l. Via Privata Eden Fumagalli, 20861 Brugherio (MB) Italy

KOMPONENTY PRODUKTU

- | | |
|--|---|
| A. Nástěnný držák* | S. Tlačítko pro uvolnění sestavy nádoby na prach |
| B. Dotykové ovládání výkonu | T. Baterie |
| C. Hlavní tělo vysavače | U. LED dioda baterie |
| D. Auto LED dioda | V. Vstup pro nabíjení baterie |
| E. Tlačítko uvolnění ručního vysavače | W. Tlačítko uvolnění baterie |
| F. Trubice | X. Nabíječka |
| G. Tlačítko pro uvolnění hubice | Y. Velký prachový a nábytkový kartáč 2v1* |
| H. pruhové LED osvětlení přední hubice | Z. Štěrbinová hubice a prachový kartáč 2v1* |
| I. Tlačítko pro uvolnění průhledného krytu kartáče | AA. Mini turbo hubice* |
| J. Koncová pojistka kartáče | AB. Nástavec na příslušenství* |
| K. Průhledný kryt kartáčové lišty | AC. Radiátorový nástavec* |
| L. Kartáčová lišta | AD. Hlubkový kartáč* |
| M. Tlačítko zapnutí/vypnutí | AE. Multifunkční nástavec pro vysávání vysoko položených ploch* |
| N. Předmotorový filtr | AF. Dlouhá ohebná štěrbinová hubice* |
| O. Samostatná cyklónová jednotka Vortex Finder | AG. Nástěnné montážní šrouby* |
| P. Samostatný cyklónový systém | AH. Čisticí nástroj |
| Q. Nádoba na prach | AI. Sáček na příslušenství* |
| R. Tlačítko pro uvolnění víka nádoby na prach | |

PŘÍPRAVA VYSAVAČE

1. Připojte trubici k hubici, dokud neuslyšíte cvaknutí, že zapadla na místo. **[1a]**
 2. Připojte hlavní tělo k trubici, dokud neuslyšíte cvaknutí, že zapadlo na místo. **[1b]**
 3. Baterii přístroje zcela nabijte připojením nabíječky k baterii. **[2a]**
Doba nabíjení je přibližně 2,5 hodiny. Baterii můžete nabíjet také po sejmutí z těla vysavače. **[2b]**
Během nabíjení se LED dioda baterie rozsvítí ČERVENĚ a při plném nabití se rozsvítí BÍLE. **[3]**
- POZNÁMKA:** Abyste sundali hubici, stiskněte tlačítko pro její uvolnění a tahem ji sejměte z hlavního těla.
POZNÁMKA: K dobíjení používejte pouze nabíječku dodanou s vysavačem.
DŮLEŽITÉ: Při nabíjení musí být vysavač vypnutý. Baterii můžete nabíjet také samostatně po vyjmutí z výrobku. Je běžné, že se nabíječka při nabíjení zahřívá.

JAK POUŽÍVAT VYSAVAČ

K dispozici jsou tři pracovní režimy

- **STANDARDNÍ REŽIM:** Po stisknutí tlačítka zapnout / vypnout bude vysavač připraven pro důkladné čištění pomocí hlavní motorizované hubice nebo motorizované mini turbo hubice. **[4]**
- **TURBO REŽIM:** Stiskněte dotykové ovládání výkonu na hlavním těle pro plný výkon při náročném čištění. **[5]**
- **AUTOMATICKÝ REŽIM:** Po vyjmutí hlavní motorizované hubice nebo Mini Turbo hubice se produkt automaticky přizpůsobí nejnižšímu nastavení výkonu a rozsvítí se Auto LED dioda. **[6]**

* Pouze u některých modelů

Pokud je pro náročnější čištění potřeba více energie, stiskněte dotykové tlačítko výkonu na hlavním těle, procházejte dostupnými režimy výkonu a vyberte režim, který bude vyhovovat vašim potřebám.

POUŽITÍ BATERIE

Když se baterie během čištění vybijí, LED dioda baterie svítí bíle. Pokud je kapacita baterie nižší než 5%, začne LED dioda blikat.

Pokud k tomu dojde, měli byste zastavit úklid a okamžitě baterii dobít. [2]

Při dobíjení musí být produkt vypnutý.

Baterii můžete nabíjet také po vyjmutí z těla vysavače.

Doba nabíjení je přibližně 2,5 hodiny. Jakmile bude baterie plně nabitá, LED dioda na baterii se rozsvítí bíle.

POZNÁMKA: Je běžné, že se nabíječka při nabíjení zahřívá. Používejte pouze nabíječku, která byla dodána k vysavači.

OCHRANNÝ BEZPEČNOSTNÍ SYSTÉM

Aby bylo zajištěno, že při použití v náročných podmínkách není ovlivněna spolehlivost výrobku, jsou v produktu zabudované dva bezpečnostní ochranné systémy.

1. Bezpečnostní ochranný systém zasáhne, pokud je kartáč ucpaný nebo zablokovaný. Po jeho aktivaci se kartáč přestane otáčet, pruhová LED páska na přední straně hubice pětkrát zabliká. [18] V takovém případě jednoduše vypněte zařízení a vyčistěte kartáčovou lištu. Pro opětovné spuštění vysavače stiskněte tlačítko vypnout/zapnout a vysavač začne znovu pracovat v normálním režimu.

2. Druhý bezpečnostní ochranný systém se spustí, pokud není průhledný kryt hubice před použitím zcela uzavřen. Pokud je kryt otevřený, hubice se nezapne. Pokud k tomu dojde, jednoduše vypněte produkt a ujistěte se, že je kryt kartáče správně uzavřen. Pro opětovné spuštění vysavače stiskněte tlačítko vypnout/zapnout a vysavač začne znovu pracovat v normálním režimu.

PŘÍSLUŠENSTVÍ*

ŠTÉRBINOVÁ HUBICE A PRACHOVÝ KARTÁČ 2V1*, VELKÝ PRACHOVÝ A NÁBYTKOVÝ KARTÁČ 2V1*, DLOUHÁ OHEBNÁ ŠTÉRBINOVÁ HUBICE*, MULTIFUNKČNÍ NÁSTAVEC PRO VYSÁVÁNÍ VYSOKO POLOŽENÝCH PLOCH * A MINI TURBO HUBICE*

Výše uvedené příslušenství lze namontovat přímo na hlavní tělo vysavače nebo na trubici. [6]

POZNÁMKA: Pro vyjmutí hubice nebo hlavního těla z trubice stiskněte příslušné uvolňovací tlačítko a zatáhněte.

RADIÁTOROVÝ NÁSTAVEC * A HLOUBKOVÝ KARTÁČ*

Při použití těchto dvou příslušenství musí být namontován adaptér *. [6]

POZNÁMKA: Mini Turbo hubice je ideální pro hloubkové čištění textilních povrchů (například pohovky) a odstranění zvířecích chlupů. Pohybujte jí neustále dopředu a dozadu. Po použití nůžkami odstraňte vlasy či vlákna namotané na kartáči.

Dlouhá ohebná štěrbinová hubice je vhodná pro čištění v obtížně přístupných místech, pod nábytkem a v autě.

Radiátorový nástavec je ideální pro čištění uvnitř a kolem skříní, radiátorů a pohovek.

Pomocí hloubkového kartáče lze čistit úzká místa bez rizika poškrábání povrchu a také interiér auta.

Multifunkční nástavec slouží ke snadnému přístupu k jemným povrchům bez poškrábání a také ke všem těžko přístupným povrchům. Multifunkční nástavec se skládá ze tří hlavních částí.

1. Štěrbinové hubice, která je ideální pro úzké prostory.
2. Prachový kartáč je vhodný na čištění povrchů bez poškrábání nebo poničení.
3. Nábytková hubice je ideální pro čištění povrchů jako například gaučů.

SÁČEK NA PŘÍSLUŠENSTVÍ*

Dodatečné příslušenství lze uskladnit v sáčku na příslušenství.

ČISTICÍ NÁSTROJ

Čisticí nástroj je užitečný k čištění cyklónového systému, nádoby na prach a hubice.

NÁSTĚNNÝ DRŽÁK*

K zavěšení vysavače zavěste držák na stěnu pomocí dvou šroubů dodaných s výrobkem. [7]

ÚDRŽBA VYSAVAČE

Vyprázdnění nádoby na prach

1. Stiskněte tlačítko uvolnění ruční jednotky a sejmete trubici. [1b]

* Pouze u některých modelů

2. Stisknutím tlačítka uvolněte víko nádoby na prach a vyprázdněte jí. **[8a]**
3. Uzavřete víko nádoby na prach, při úplném zajištění uslyšíte cvaknutí.

POZNÁMKA: Doporučujeme vyprazdňovat nádobu na prach po každém použití, nebo při naplnění po maximální úroveň.

Rychlé každodenní čištění nádoby na prach

Jednoduše otevřete víko nádoby na prach a odstraňte prach pomocí čistícího nástroje.

Pomocí háčku vytáhněte prach nahromaděný uvnitř nádoby na prach. **[8b]**

Použijte konec kartáče k očištění jemného prachu uvízlého kolem cyklónového systému. **[10b]**

POZNÁMKA: Po vyprázdnění doporučujeme nádobu na prach vyčistit.

Čištění nádoby na prach a filtru

1. Stiskněte tlačítko pro uvolnění trubice a vyjměte ji. **[1b]**
2. Stisknutím tlačítka uvolněte víko nádoby na prach a vyprázdněte jí. **[8]**
3. Uzavřete víko nádoby na prach, při úplném zajištění uslyšíte cvaknutí.
4. Stiskněte tlačítko pro uvolnění baterie a vyjměte ji. **[2b]**
5. Stiskněte uvolňovací tlačítko nádoby na prach umístěné na zadní straně, otočte ji proti směru hodinových ručiček a vytáhněte jí z jednotky. **[9]**
6. Vytáhněte držák filtru a vyjměte předmotorový filtr z nádoby na prach. **[10]**
7. Vytáhněte kovový kroužek z nádoby na prach a odstraňte samostatný cyklónový systém. **[10]**
8. Vytáhněte samostatný cyklónový systém, otočte cyklónovou jednotku Vortex Finder proti směru hodinových ručiček a poté ji vyjměte. **[11]**
9. Filtr a samostatný cyklónový systém omyjte vlažnou vodou a nechte schnout po dobu 24 hodin. **[12,13]**
10. Sestavte zpět až když je vše úplně suché. **[14,15,16,17]**

POZNÁMKA: Při čištění předmotorového filtru nepoužívejte horkou vodu ani čisticí prostředky. V nepravděpodobném případě poškození předmotorových filtrů namontujte originální náhradní díly Hoover.

Nepoužívejte vysavač bez vloženého předmotorového filtru před montáží nádoby na prach k hlavnímu tělu.

DŮLEŽITÉ: Pro optimální výkon udržujte váš filtr vždy čistý.

Čištění kartáčové lišty a hubice

DŮLEŽITÉ: Před výměnou a čištěním kartáčové lišty vysavač vždy vypněte.

1. Vyjměte hubici z trubice. **[19]**
2. Přesuňte posuvník doprava, poté se otevře průhledný kryt kartáče. **[20]**
3. Zcela otevřete kryt kartáče a vyjměte kartáčovou lištu. **[20]**
4. Přidržte koncový jistič pro uvolnění kartáčové lišty a vyjměte ji. **[21]**
5. Pokud se na kartáčové liště vyskytují i nadále nečistoty, odstraňte je ručně nebo pomocí čistícího nástroje. **[22]**
6. Pokud se nečistoty nacházejí uvnitř hubice nebo kolem hřebene, odstraňte je pomocí čistícího nástroje. **[23]**
7. Abyste zajistili, že na hubici nejsou žádné překážky, otočte hubici a zkontrolujte její spodní část. V případě potřeby vyčistěte tuto oblast pomocí háčku na čistícím nástroji. **[24]**
8. Otočte hubici do výchozí polohy a znovu kartáč namontujte. Kartáčovou lištu lze zasunout pouze v jednom směru. Konec kartáčové lišty mírně zatlačte a ujistěte se, že je na svém místě. **[25]**
9. Zavřete kryt stisknutím střední části dokud neuslyšíte „zacvaknutí“ na své místo. Zkontrolujte, zda je kryt zcela zajištěný stisknutím na obou stranách. **[26]**

POZNÁMKA: Před použitím se ujistěte, že je okénko hubice zcela uzavřeno. Pokud je kryt otevřený, hubice se nezapne.

Výměna baterií

Tento vysavač je vybaven dobíjecí lithium-iontovou baterií, která je vyměnitelná.

VAROVÁNÍ: Pro váš vysavač používejte pouze schválené náhradní díly. Používání dílů neschválených firmou Hoover je nebezpečné a přicházíte tím o záruku.

VAROVÁNÍ: Nepokoušejte se sami rozmontovat nebo opravit baterii.

1. Stiskněte tlačítko pro uvolnění baterie a vytáhněte ji. **[2b]**
2. Vyjměte starou baterii a nahraďte ji novou baterií.
3. Zlikvidujte baterie bezpečně a ekologicky. Použité baterie by měly být přijaté do recyklační stanice a nesmějí být vyhazované dohromady s domovním odpadem.

* Pouze u některých modelů

ŘEŠENÍ POTÍŽÍ

Budete-li mít s vysavačem nějaký problém, prosím, postupujte podle následujícího jednoduchého kontrolního seznamu, než zavoláte do Zákaznického servisního střediska Hoover:

A. Vysavač nejde zapnout

Zkontrolujte, zda je nabitý
Zkontrolujte, jestli je baterie na svém místě.

B. Vysavač přestal pracovat

Zkontrolujte, zda se na kartáčové liště nenachází nějaká překážka, odstraňte ji a ujistěte se, že je vyjmuta baterie. Po dokončení jednoduše stiskněte tlačítko ON/OFF (zapnout/vypnout), produkt se znovu restartuje. Vyprázdňte nádobu na prach a omyjte předmotorový filtr, jednocyklonový filtr, Vortex Finder a cyklonový odlučovač.

Demontujte hubici a trubici a zkontrolujte, zda nejsou ucpané.

C. Ztráta sacího výkonu nebo žádné sání

Vyprázdňte nádobu na prach, omyjte vstupní filtr a samostatný cyklónový systém.

Demontujte hubici a trubici a zkontrolujte, zda nejsou ucpané.

D. Baterii nelze nabíjet

Kontaktujte Zákaznické servisní středisko Hoover a dojednejte si výměnu baterií.

Pokud problém přetrvává, kontaktujte Zákaznické servisní středisko Hoover: www.hoover.cz/cs_CZ/servis.

To může být následkem velmi dlouhé doby skladování a nenabíjení (více než půl rok).

E. Hubice nefunguje

Zkontrolujte, zda je průhledný kryt hubice zcela zavřený.

NÁHRADNÍ DÍLY A SPOTŘEBNÍ MATERIÁLY HOOVER

Vždy používejte originální náhradní díly společnosti Hoover. Získáte je u místního prodejce výrobků Hoover nebo u servisních partnerů. Při objednávce dílů laskavě vždy uvádějte číslo modelu.

VAŠE ZÁRUKA

Záruční podmínky pro tento vysavač stanovuje váš zástupce v zemi, v níž je prodáván. Přesné znění podmínek vám poskytne prodejce, u něhož jste si zařízení zakoupili. Při reklamaci podle těchto záručních podmínek je nutno předložit doklad o koupi nebo účtenku.

DŮLEŽITÉ: Baterie tohoto vysavače má záruční lhůtu 6 měsíců od data zakoupení. Po 6 měsících nese zákazník náklady spojené s nákupem nové baterie.

Právo změny bez předchozího upozornění vyhrazeno.

NAVODILA ZA VARNO UPORABO

Sesalnik lahko uporabljate le za čiščenje stanovanjskih prostorov, kot je opisano v tem priročniku. Prosimo, da se pred uporabo sesalnika temeljito seznanite s temi navodili.

Pred čiščenjem naprave ali kakršnimi koli vzdrževalnimi deli vedno izklopite sesalnik in odstranite polnilnik iz vtičnice.

To napravo lahko uporabljajo otroci, starejši od 8 let ter osebe z zmanjšanimi telesnimi, zaznavnimi in mentalnimi sposobnostmi ali osebe s pomanjkljivimi izkušnjami in znanjem, če so pod nadzorom ali so bile ustrezno podučene o varni uporabi naprave ter se zavedajo nevarnosti, ki so povezane z njegovo uporabo. Otroci se ne smejo igrati z aparatom. Otroci ne smejo čistiti ali vzdrževati aparata brez nadzora.

Če je napajalni električni kabel poškodovan, nemudoma prenehajte z uporabo sesalnika. Da bi se izognili nevarnosti, mora napajalni električni kabel zamenjati pooblaščen Hooverjev serviser.

Uporabljajte le originalni polnilnik, ki je priložen napravi.

Preverite, ali je napajalna napetost enaka tisti, ki je navedena na polnilniku. Ta aparat je dobavljen z dvojno izoliranim polnilcem baterij, ki je primeren samo za priključitev na 230-V (UK 240V) vtičnico.

Polnilnik priključite v ustrezno vtičnico in nato drugi del priključite še v napravo.

Med polnjenjem bo LED luč za baterijo svetila RDEČE in se bo obarvala BELO, ko bo baterija popolnoma napolnjena.

Po uporabi naprave spet priključite polnilnik in tako vnovič napolnite baterijo.

Nikoli ne polnite baterij pri temperaturah višjih od 37 °C ali nižjih od 0 °C. Normalno je, da se polnilnik med polnjenjem segreva.

Polnilec izklopite v primeru daljše odsotnosti (počitnice, itd.). Pred ponovno uporabo spet napolnite baterije, saj se lahko te izpraznijo samodejno, če sesalnika dlje časa ne uporabljate.

Uporabljajte le dodatke, potrošni material ali nadomestne dele, ki jih priporoča ali dobavi Hoover.

Statična elektrika: določene vrste preprog lahko ustvarijo

manjšo količino statične elektrike. Noben statični električni naboj ne ogroža zdravja.

Imejte roke, noge, ohlapna oblačila in lase proč od vrtljivih krtač. Ne izklaplajte polnilnika tako, da povlečete za kabel.

Sesalnika ne smete uporabljati na prostem, na kakršni koli mokri površini ali za sesanje tekočin. Ne smete sesati trdih ali ostrih predmetov, vžigalic, vročega pepela, cigaretnih ogorkov ali drugih podobnih snovi. Ne smete pršiti ali sesati vnetljivih tekočin, čistil, osvežilcev zraka ali njihovih hlapov. Ne smete zapeljati prek napajalnega kabla med uporabo sesalnika ali izvleči vtikača tako, da bi vlekli za kabel. Ne smete uporabljati naprave ali polnilnika, če ne delujeta pravilno. Sesalnika ne smete uporabljati za sesanje na živalih ali ljudeh. Polnljivih baterij ne smete zamenjati z navadnimi baterijami.

Hooverjev servis: Za zagotovitev nenehnega varnega in učinkovitega delovanja naprave priporočamo, da servis ali popravila izvrši le pooblaščen Hooverjev serviser.

Konec življenjske dobe izdelka

Če boste napravo odvrgli, morate najprej odstraniti baterije. Ko želite odstraniti baterije, morabitinapravaizključenaizelektričnega toka. Baterije odvrzite na varen način. Napravo pustite delovati dokler baterije niso popolnoma prazne. Uporabljene baterije je treba odnesti v enoto za recikliranje. Baterije se ne smejo odvreči v gospodinjske odpadke. Za odstranitev baterij vas prosimo, da se obrnete na Hooverjev center za kupce ali nadaljujete po sledečih navodilih.

POMEMBNO: Pred odstranjevanjem baterije vedno popolnoma izpraznite.

Sesalnik naj deluje toliko časa, da se baterije do konca izpraznijo. Vtikač polnilca odstranite iz naprave.

Pritisnite na gumbe za odstranitev baterije in jo odstranite tako, da jo potegnete v stran.

OPOMBA: V primeru težav z razstavljanjem naprave ali za podrobnejše informacije o ravnanju z izdelkom, obnovi ali recikliranju izdelka se obrnite na krajevni urad ali komunalno podjetje za odvoz gospodinjskih odpadkov.

Okolje:

Ta naprava je označena v skladu z evropsko direktivo 2011/65/ES o odpadni električni in elektronski opremi (OEEO). S pravilnim odstranjevanjem izdelka boste pripomogli k preprečevanju morebitnih negativnih vplivov na okolje in človekovo zdravje, do česar bi utegnili priti ob neprimerni odstranitvi tega izdelka. Simbol na izdelku pomeni, da izdelka ne smete odstraniti kot gospodinjski odpadke. Oddati ga morate na zbirnem mestu za recikliranje električne in elektronske opreme. Odstranitev morate izvesti v skladu z okoljskimi predpisi glede odstranjevanja odpadkov. Za podrobnejše informacije o ravnanju z izdelkom, obnovi in recikliranju izdelka se obrnite na občinski urad, komunalno podjetje za odvoz gospodinjskih odpadkov ali trgovino, kjer ste izdelek kupili.



Ta naprava je v skladu z evropskimi direktivami 2014/35/EU, 2014/30/EU in 2011/65/EU.

CANDY HOOVER GROUP S.r.l. Via Privata Eden Fumagalli, 20861 Brugherio (MB) Italy

SESTAVNI DELI IZDELKA

- | | |
|--|--|
| A. Stenski nosilec* | R. Gumb za sprostitve posode za prah |
| B. Tipka za moč na dotik | S. Gumb za sprostitve sklopa posode za prah |
| C. Osnovni del | T. Baterija |
| D. Samodejna Led luč | U. LED lučka za baterijo |
| E. Ročni gumb za sprostitve | V. Vhod za polnjenje baterije |
| F. Cev | W. Gumb za sprostitve baterije |
| G. Gumb za sproščanje nastavkov | X. Polnilnik |
| H. Sprednji LED trak na nastavku | Y. 2v1 velik nastavek za brisanje prahu in pohištva* |
| I. Sprostitve zaklopke pokrova krtače | Z. Nastavek za reže in prah 2v1* |
| J. Sprostitve končnega pokrova krtače | AA. Mini sesalni nastavek* |
| K. Okno nastavka | AB. Pomožni adapter* |
| L. Krtača | AC. Krtača za čiščenje radiatorjev* |
| M. Stikalo ON/OFF | AD. Krtača za globinsko čiščenje* |
| N. Filter pred motorjem | AE. Večfunkcijski pripomoček* |
| O. Pripomoček za ločevanje prašnih delcev v enojnem ciklonskem sistemu | AF. Dolg in ozek upogljivi nastavek* |
| P. Enojni ciklonski sistem | AG. Vijaki za pritrditev na steno* |
| Q. Posoda za prah | AH. Pripomoček za čiščenje |
| | AI. Vrečka za pripomočke* |

PRIPRAVA VAŠEGA SESALNIKA

1. Nastavljajte cev na šobo, dokler ne zaslišite, da je "kliknila" na pravo mesto. **[1a]**
2. Nastavljajte glavni del na cev, dokler ne zaslišite, da je "kliknil" na pravo mesto. **[1b]**
3. Baterijo naprave popolnoma napolnite tako, da vtič za polnilnik priključite na baterijo. **[2a]**
Čas polnjenja je približno 2,5 ure. Baterijo lahko polnite tudi, ko ta ni nameščena na napravi. **[2b]**

Med polnjenjem bo LED luč za baterijo svetila RDEČE in se bo obarvala

BELO, ko bo naprava popolnoma napolnjena. **[3]**

OPOMBA: Nastavek snamete tako, da pritisnete gumb za sproščanje nastavka in ga izvlečete iz osnovnega dela.

OPOMBA: Pri ponovnem polnjenju uporabite samo polnilnik, ki je dobavljen z vašim sesalnikom.

POMEMBNO: Ko se polni, mora biti sesalnik ugasnjen. Odstranljivo baterijo lahko polnite tudi, ko ni na izdelku. Normalno je, da se polnilnik med polnjenjem segreva.

UPORABA SESALNIKA

Obstajajo trije načini delovanja

• **STANDARDNI NAČIN:** Ko pritisnete na gumb za vklop on/off, je sesalnik popolnoma pripravljen za čiščenje z glavnim motoriziranim nastavkom ali z mini turbo motoriziranim nastavkom. **[4]**

• **NAČIN TURBO:** Pritisnite na gumb na dotik za moč na glavnem delu zato, da nastavite polno moč za naloge težjega čiščenja. **[5]**

• **NAČIN AUTO:** Ko odstranite glavni motoriziran nastavek ali mini turbo nastavek, se bo izdelek samodejno prilagodil na najnižjo nastavitev moči in prižgal samodejno led luč. **[6]**

* Le pri določenih modelih

Če potrebujete več moči za težje čiščenje, pritisnite na gumb na dotik za turbo čiščenje na glavnem delu zato, da se izberete nastavev moči, ki so na voljo in bi ustrezale vaši nalogi.

UPORABA BATERIJE

Ko se baterija med čiščenjem prazni, je LED luč sklopa baterije bele barve. Ko je zmogljivost baterije pod 5 %, bo bela LED luč začela utripati.

Ko pride do tega, morate nemudoma prenehati s čiščenjem in takoj napolniti baterijo. [2]

Ko je proizvod na polnjenju, mora biti gumb za vklop on/off izklopljen.

Baterijo lahko polnite tudi, ko ta ni nameščena na napravi.

Čas polnjenja je približno 2.5 ure. Ko je baterija popolnoma napolnjena, bo LED luč na bateriji zasvetila bele barve.

OPOMBA: Normalno je, da se polnilnik med polnjenjem segreva. Uporabljajte samo polnilnik, dobavljen z vašim sesalcem.

VARNOSTNI SISTEM

Za zagotavljanje zanesljivosti proizvoda, če je le ta uporabljan v težkih pogojih, ima proizvod dva vgrajena varovalna sistema.

1. Sistem za varno zaščito se bo sprožil, če ima krtača blokado ali je zaklenjena. Ko se sproži, se krtača neha obračati, bel LED trak na sprednji strani nastavka pa 5 krat utripne. [18] Če se to zgodi, ugasnite napravo in iz krtače odstranite oviro. Če želite spet zagnati napravo, pritisnite tipko on/off in naprava bo spet začela delovati v normalnem načinu.

2. Drugi sistem za varno zaščito se bo sprožil, če okno nastavka pred uporabo ni popolnoma zaprto. Če je okno odprto, se nastavek ne bo vklopil. Če se to zgodi, enostavno izklopite izdelek in se prepričajte, da je okno nastavka pravilno zaprto. Če želite spet zagnati napravo, pritisnite tipko on/off in naprava bo spet začela delovati v normalnem načinu.

DODATNI PRIKLJUČKI*

NASTAVEK ZA REŽE IN PRAH 2V1*, 2V1 VELIK NASTAVEK ZA BRISANJE PRAHU IN POHIŠTVA*, Dolg in ozek upogljiv nastavek*, VEČFUNKCIJSKI PRIPOMOČEK * IN MINI SESALNI NASTAVEK*

Zgoraj navedene pripomočke lahko namestite neposredno na glavno enoto ali na cev. [6]

OPOMBA: Pritisnite na primeren gumb za sprostitev in potegnite stran, če želite odstraniti nastavek ali glavno enoto s cevi.

KRTAČA ZA ČIŠČENJE RADIATORJEV * IN KRTAČA ZA GLOBINSKO ČIŠČENJE*

Adapter za pripomočke* mora biti vedno nameščen, ko uporabljate ta 2 pripomočka. [6]

OPOMBA: Mini-turbo krtača je idealna za čiščenje tekstilnih površin (npr. naslanjačev) in za odstranjevanje živalske dlake. Enakomerno jo potiskajte naprej in nazaj. Po uporabi odstranite dlake/delce, ki so se nabrali na krtači, po potrebi pa za to uporabite škarje.

Dolga in ozka prilagodljiva cev je idealna za čiščenje težje dostopnih predelov, površin pod pohoštvo in avtomobila.

Krtača za čiščenje radiatorjev je idealna za čiščenje v in okoli omari, kavčev in radiatorjev.

Krtača za globinsko čiščenje je idealna za čiščenje težje dostopnih predelov tudi v avtomobilu, pri tem pa ne odrgne površin.

Večfunkcijski pripomoček je namenjen preprostemu čiščenju občutljivih površin, saj jih ne odrgne, prav tako pa je idealen za čiščenje težje dostopnih predelov. Večfunkcijski pripomoček sestavljajo trije osnovni elementi.

1. Ozki nastavek je idealen za čiščenje težje dostopnih predelov.
2. Krtača za brisanje prahu je idealna za čiščenje občutljivih površin, saj jih ne poškoduje ali opraska.
3. Krtača za pohoštvo je idealna za čiščenje elementov, kot je na primer zofa.

TORBA ZA PRIPOMOČKE*

Dodatne pripomočke lahko shranite v torbo za pripomočke.

PRIPOMOČEK ZA ČIŠČENJE

Izdelek za čiščenje je uporaben za čiščenje ciklonskega sistema, posode za prah in nastavka.

STENSKI NOSILEC*

Stenski nosilec obesite na steno z obema vijakoma, ki sta priložena za obešanje izdelka. [7]

VZDRŽEVANJE SESALNIKA

Praznjenje posode za prah

1. Pritisnite gumb za ročno sprostitev in odstranite cev. [1b]
2. Pritisnite gumb za sprostitev posode za prah zato, da odstranite posodo za prah in jo izpraznite. [8a]
3. Zaprite pokrov posode za prah. Ko se pokrov povsem zapre, zaslišite "klik".

OPOMBA: Posodo za prah izpraznite po vsaki uporabi sesalnika ali ko prah doseže zgornjo oznako največje dovoljene količine prahu.

* Le pri določenih modelih

Hitro dnevno čiščenje posode za prah

Samo odprite loputo posode za prah in odstranite prah s pomočjo pripomočka za čiščenje.

Uporabite stran s kavljem zato, da izvlčete prah, ki se je nabral v posodi za prah. **[8b]**

Uporabite konec krtače za čiščenje finega prahu, ki se je zagostil okoli enojnega ciklonskega sistema. **[10b]**

OPOMBA: Priporočljivo je, da posodo za prah po izpraznitvi očistite.

Čiščenje posode za prah in filtra

1. Pritisnite na gumb za sprostitev cevi in odstranite cev. **[1b]**
2. Pritisnite gumb za sprostitev posode za prah zato, da odstranite posodo za prah in jo izpraznite. **[8]**
3. Zaprite pokrov posode za prah. Ko se pokrov povsem zapre, zaslišite "klik".
4. Pritisnite na gumb za odstranitev baterije in odstranite komplet baterije. **[2b]**
5. Pritisnite na gumb za sprostitev posode za prah, ki je nameščen na zadnji strani posode za prah in ga obrnite v nasprotni smeri urinega kazalca tako, da ga vlečete od enote. **[9]**
6. Odstranite predmotorni filter tako, da potegnete njegovo oporo s posode za prah. **[10]**
7. Odstranite enojni ciklonski sistem tako, da potegnete kovinski obroč s posode za prah. **[10]**
8. Potegnite enojni ciklonski sistem, obrnite iskalnik enojnega ciklonskega vrtinca v nasprotni smeri urinega kazalca in ga nato izvlčite. **[11]**
9. Filter in enojni ciklonski sistem operite v mlačni vodi in pustite, da se 24 ur sušita. **[12,13]**
10. Ko je filter povsem suh, ga spet sestavite in vnovič namestite na sesalnik. **[14,15,16,17]**

OPOMBA: Pri čiščenju predmotornega filtra ne uporabljajte vroče vode ali detergentov. Če se predmotorni filter poškoduje (kar je zelo redko), namestite originalni Hoover nadomestni del.

Ne uporabljajte proizvoda, če predmotorni filter ni bil nameščen pred namestitvijo posode za prah na glavni del.

POMEMBNO: Za optimalno učinkovitost naj bodo filtri vedno čisti.

Čiščenje krtače in nastavka

POMEMBNO: Pred zamenjavo in čiščenjem krtače vedno ugasnite sesalnik.

1. Odstranite krtačo s cevi. **[19]**
2. Premaknite drsnik na desno in okno krtače se bo odprlo. **[20]**
3. Popolnoma odprite okno nastavka zato, da odstranite krtačo. **[20]**
4. Držite končno zaklopko za sprostitev krtače in odstranite krtačo. **[21]**
5. Če v krtači ostaja umazanija, jo odstranite ročno ali s pomočjo pripomočka za čiščenje. **[22]**
6. Če je v krtači ali okoli glavnika prisotna umazanija, jo odstranite z uporabo ščetke pripomočka za čiščenje. **[23]**
7. Zato, da se prepričate, da v nastavku ni nobenih ovir, obrnite nastavek navzdol in preverite spodnje območje. Če je potrebno, ta del očistite z uporabo kavlja priloženega pripomočka za čiščenje. **[24]**
8. Nastavek obrnite v prvoten položaj in ga ponovno namestite na krtačo. Krtačo lahko namestite samo v eni smeri, nato rahlo pritisnete na konec, da se prepričate, da je krtača na mestu. **[25]**
9. Zaprite okno s pritiskanjem na srednji del okna, dokler ne zaslišite "klika" na pravem mestu. Prepričajte se, da je okno popolnoma zaprto tako, da pritisnete na obe strani. **[26]**

OPOMBA: Prosimo, prepričajte se, da je pred uporabo okno nastavka popolnoma zaprto. Če je okno odprto, se nastavek ne bo vklopil.

Menjava baterij

Ta naprava za čiščenje je opremljena z litijsko baterijo, ki jo je mogoče ponovno napolniti in jo je mogoče zamenjati.

OPOZORILO: Za svoj sesalnik uporabite samo odobrene nadomestne dele. Uporaba delov, ki jih Hoover ne odobri, je nevarna in bo razveljavila garancijo.

OPOZORILO: Ne poskušajte sami odpreti in popraviti baterije.

1. Pritisnite na gumb za odstranitev baterije in izvlčite baterijo. **[2b]**
2. Odstranite staro baterijo in jo nadomestite z novo.
3. Baterije odvrzite na varen način. Uporabljene baterije je treba odnesti v enoto za recikliranje. Baterije se ne smejo odvreči v gospodinjske odpadke.

* Le pri določenih modelih

ODPRAVLJANJE TEŽAV

Če boste imeli kakršne koli težave z vašim sesalnikom, preden pokličete Hooverjev servisni center za stranke s pomočjo enostavnega seznama v nadaljevanju preverite naslednje:

A. Sesalnik se ne vklopi

Preverite, če je sesalnik napolnjen
Preverite, ali je baterija pravilno nameščena.

B. Sesalnik ne deluje

Preverite, ali je v krtači ovira. Odstranite jo in se prepričajte, da je baterija odstranjena. Ko to storite, pritisnite na stikalo ON/OFF. Izdelek se bo ponovno vključil.
Izpraznite posodo za prah in operite predmotorni filter, enojni ciklon, iskalnik vrtinca in ciklonski ločevalnik.
Odstranite nastavek in cev in preverite, ali so blokade v cevi.

C. Sesalna moč je manjša ali pa sesalnik sploh ne vsesava

Izpraznite posodo za prah in operite predmotorni filter in sistem enojnega ciklonskega separatorja.
Odstranite nastavek in cev in preverite, ali so blokade v cevi.

D. Baterij ne morete napolniti

Kontaktirajte Hooverjev servis za stranke, da se dogovorite za zamenjavo baterij.
Če se težava nadaljuje, kontaktirajte Hooverjev servisni center za stranke.
To je morebitna posledica zelo dolgega obdobja shranjevanja (več kot pol leta).

E. Nastavek ne deluje

Preverite, ali je okno nastavka popolnoma zaprto.

NADOMESTNI DELI IN POTROŠNI MATERIAL HOOVER

Vedno uporabljajte originalne nadomestne dele Hoover. Dobite jih pri lokalnem prodajalcu Hooverjevih izdelkov. Pri naročanju delov vedno navedite številko modela.

GARANCIJA

Garancijski pogoji za to napravo so taki, kot jih določi zastopnik v državi, kjer je naprava prodana. Podrobnosti glede garancijskih pogojev lahko dobite od prodajalca, pri katerem ste napravo kupili. Če želite uveljavljati kakršno koli garancijo, potrebujete potrdilo o nakupu ali račun.

POMEMBNO: Zagotovljena življenjska in garancijska doba baterij tega sesalnika je 6 mesecev od časa nakupa. Po šestih mesecih mora uporabnik sam poravnati stroške nove baterije.

Garancija se lahko spreminja brez predhodnega obvestila.

GÜVENLİ KULLANIM TALİMATLARI

Bu ürün kullanım kılavuzunda belirtildiği gibi yalnızca ev temizliği için kullanılmalıdır. Lütfen ürünü kullanmadan önce bu kılavuzun tam olarak anlaşıldığından emin olun.

Cihazı temizlemeden ya da herhangi bir bakım işlemi uygulamadan önce daima cihazı kapatın ve şarj aletini prizden çıkarın.

Bu cihaz 8 yaş ve üzeri çocuklar ve yetersiz fiziksel, duyuşal veya zihinsel kabiliyete sahip kişiler ya da deneyim ve bilgi yoksunu kişiler tarafından bir yetişkinin gözetiminde veya cihazın güvenli bir şekilde kullanımı ile ilgili talimatı ve bulunan tehlikelerin açıkça anlatılması ile kullanılabilir. Çocuklar cihaz ile oynamamalıdır. Temizleme ve bakım işlemi denetimsiz şekilde çocuklar tarafından yapılmamalıdır.

Güç kablosu hasar görürse cihazı kullanmayı derhal bırakın. Herhangi bir yaralanmaya engel olmak için güç kablosunun mutlaka yetkili bir Hoover servisi tarafından değiştirilmesi gereklidir.

Yalnızca cihazla birlikte verilen şarj aletini kullanın.

Besleme voltajının şarj aleti üzerinde belirtilen değerle aynı olup olmadığını kontrol edin. Bu Hoover ev aleti sadece 230V (İngiltere: 240V) prize takılması uygun olan çift izolasyonlu bir batarya şarj cihazıyla verilmektedir.

Şarj cihazını uygun bir prize takın ve şarj aleti jakının prizini cihaza takın.

Pil takımı LED ışığı şarj sırasında KIRMIZI renkte yanacak ve şarj tamamlandığında BEYAZA dönecektir.

Pilleri yeniden şarj etmek için kullanım sonrasında cihazı yeniden şarj cihazına bağlayın.

Pilleri kesinlikle 37°C'nin üzerindeki veya 0°C'nin altındaki sıcaklıklarda şarj etmeyin. Şarj aletinin şarj olurken ısınması doğaldır.

Uzun süre evde bulunmayacaksanız (tatil vs. gibi nedenlerle) şarj aletini prizden çekin. Uzun süre kullanılmayan elektrikli süpürge'nin şarjı kendi kendine bitebileceğinden, yeniden kullanmadan önce süpürgeyi iyice şarj edin.

Yalnızca Hoover tarafından önerilen veya sağlanan aparatları, malzemeleri ve yedek parçaları kullanın.

Statik elektrik: bazı halılar statik elektrik oluşuma neden olabilir. Statik elektrik deşarjı sağlığa zararlı değildir.

Ellerinizi, ayaklarınızı, bol giysileri ve saçlarınızı dönen fırçalardan uzak tutun.

Şarj aletinin fişini kablosundan çekerek çıkarmayın.

Cihazınızı dış mekanlarda veya ıslak yüzeylerde ya da ıslak toplama için kullanmayın. Sert veya keskin nesnelere, kibritleri, sıcak külleri, sigara izmaritleri veya diğer benzeri öğeleri toplamayın. Yanıcı sıvıları, temizleme sıvılarını, aerosollerini veya spreyleri püskürtmeyin ya da toplamayın. Cihazı kullanırken güç kablosu üzerine basmayın veya güç kablosundan çekerek prizden çıkarmayın. Arıza görünürse cihazı veya şarj aletini kullanmayı bırakın. Cihazı hayvanları veya insanları temizlemek için kullanmayın. Pilleri şarj edilemeyen pillerle değiştirmeyin.

Hoover teknik servisi: Cihazın uzun süre güvenli ve verimli kullanımını sağlamak için, servis ve bakımlarının yetkili Hoover servisinde yapılmasını tavsiye ederiz.

Ürün Hizmet Ömrü Sonunda Elden Çıkarma

Cihaz atılacağı zaman, öncelikle piller çıkartılmalıdır. Pil çıkartılırken, cihaz şebeke beslemesinden çıkartılmalıdır. Pilleri güvenli bir şekilde imha edin. Pillerin tamamen boşalması için cihazı durana kadar çalıştırın. Kullanılmış piller bir geri dönüştürme istasyonuna götürülmeli ve evsel atıklarla birlikte atılmamalıdır. Pilleri çıkarmak için, lütfen Hoover Müşteri Merkezi ile temasa geçin veya aşağıdaki talimatlara göre devam edin.

ÖNEMLİ: Çıkarmadan önce pilleri her zaman tamamen deşarj edin.

Süpürgeyi piller tamamen boşalana kadar çalıştırın. Şarj cihazı jak fişini cihazdan çıkarın.

Pil takımı serbest bırakma düğmelerine basın ve çıkarmak için kaydırın.

Not: Birimin parçalarına ayrılması ile ilgili zorluk yaşarsanız ya da cihazın tamiri, onarımı ya da geri dönüşümü ile ilgili daha ayrıntılı bilgiye ihtiyaç duyarsanız lütfen belediye ya da ev atıkları imha hizmetleri ile görüşün.

Çevre:

Bu cihaz Atık Elektrikli ve Elektronik Teçhizat (WEEE) hakkında Avrupa direktifi 2011/65/EC'ye uygunluk işaretine sahiptir. Bu ürünün doğru bir şekilde atılmasını sağlayarak, yanlış atılmasından dolayı çevre ve insan sağlığında oluşabilecek olumsuz etkilerin önlenmesine katkıda bulunacaksınız. Ürünün üzerindeki sembol, bu ürünün ev atığı olarak değerlendirilmeyeceğini gösterir. Bunun yerine ürün, elektrikli ve elektronik cihazların geri dönüştürülmesi için oluşturulan geçerli bir toplama noktasına bırakılmalıdır. İmha, atık imhası için düzenlenen yerel çevre yönetmeliklerine uygun olarak yapılmalıdır. Ürünün nasıl elden çıkarılacağı konusunda daha detaylı bilgi için bağlı bulunduğunuz muhtarlığa, çöp toplama şirketine veya ürünü satın almış olduğunuz mağazaya müracaat edin.



Bu ürün 2014/35/EU, 2014/30/EU ve 2011/65/EU' Avrupa Direktiflerine göre uygundur.

CANDY HOOVER GROUP S.r.l. Via Privata Eden Fumagalli, 20861 Brugherio (MB) Italy

ÜRÜN BİLEŞENLERİ

- | | |
|---|--|
| A. Duvara Montaj* | S. Toz Haznesi Tertibatı Çıkarma Düğmesi |
| B. Dokunmatik Güç Kontrolü | T. Batarya Grubu |
| C. Ana Gövde | U. Batarya Takımı LED Işığı |
| D. Otomatik Led Işığı | V. Pil Takımı Şarj Girişi |
| E. El Ünitesi Çıkarma Düğmesi | W. Batarya Grubu Açma Düğmesi |
| F. Boru | X. Şarj Aleti |
| G. Başlık Çıkarma Düğmesi | Y. 2'si 1 Arada Büyük Toz Alma ve Mobilya Aparatı* |
| H. Başlık Ön LED şerit | Z. 2'Si 1 Arada kenar-köşe ve toz alma aparatı* |
| I. Rulo Fırça Serbest Bırakma Kapak Kaydırıcı | AA. Mini güçlü başlık* |
| J. Rulo Fırça Serbest Bırakma Uç Başlığı | AB. AkSESUAR Uyarlayıcı* |
| K. Başlık Penceresi | AC. Radyatör Aparatı* |
| L. Rulo Fırça | AD. Derin Temizleme Fırçası* |
| M. AÇMA/KAPAMA Düğmesi | AE. Çok İşlevli Yüksek Yüzey Aparatı* |
| N. Ön motor filtresi | AF. Uzun esnek kenar-köşe aparatı* |
| O. Siklonik Girdap Bulucu | AG. Duvara Montaj Vidaları* |
| P. Siklonik Sistem | AH. Temizleme Aracı |
| Q. Toz haznesi | AI. AkSESUAR çantası* |
| R. Toz Haznesi Kapak Çıkarma Düğmesi | |

SÜPÜRGENİZİN HAZIRLANMASI

1. Yerine oturduğunu gösteren 'tık' sesini duyana kadar boruyu başlığa takın. **[1a]**
 2. Yerine oturduğunu gösteren 'tık' sesini duyana kadar ana gövde ünitesini boruya takın. **[1b]**
 3. Şarj cihazı fişini pil paketine bağlayarak cihazın pilini tam şarj edin. **[2a]**
- Şarj süresi yaklaşık 2,5 saattir. Batarya takımını üründen çıkardıktan sonra da şarj edebilirsiniz. **[2b]**
- Pil takımı LED ışığı şarj sırasında KIRMIZI renkte yanacak ve şarj tamamlandığında BEYAZA dönecektir. **[3]**
- NOT:** Başlığı çıkarmak için başlık çıkarma düğmesine basın ve başlığı çekerek ana gövdeden çıkarın.
- NOT:** Sadece elektrikli süpürge ile birlikte verilen şarj aletini kullanın.
- ÖNEMLİ:** Şarj edilirken elektrikli süpürge kapatılmalıdır. Değiştirilebilir pil takımını üründen çıkarılmış halde de şarj edebilirsiniz. Şarj aletinin şarj olurken ısınması doğaldır.

TEMİZLEYİCİNİN KULLANIMI

Üç çalışma modu vardır

- **STANDART MOD:** Açma/Kapama düğmesine bastığınızda elektrikli süpürge ana motorlu başlık veya motorlu mini turbo başlıkla iyice temizlemeye hazırdır. **[4]**
- **TURBO MODU:** Zor temizlik işlerinde ürüne tamamen güç vermek için ana gövdedeki dokunmatik güç kontrolüne basın. **[5]**
- **OTOMATİK MOD:** Ana motorlu başlık veya Mini Turbo Başlık çıkarıldığında ürün en düşük güç ayarına otomatik olarak adapte olacak ve Otomatik Led Işığını açacaktır. **[6]**

* Sadece bazı modeller için

Daha zor bir temizlik işi için daha fazla güç gerekiyorsa, işinize uygun mevcut güç modları arasında gezinmek için ana gövdedeki turbo dokunmatik düğmesine basın.

PİL KULLANIMI

Temizlik oturumu sırasında pil boşalırsa, pil paketi LED'i beyaz olur. Pil kapasitesi %5'in altına düştüğünde, BEYAZ LED ışığı yanıp sönmeye başlayacaktır.

Bu meydana geldiğinde temizlemeyi bırakıp derhal pilinizi şarj etmelisiniz. [2]

Ürünü şarj ederken açma/kapama düğmesi KAPALI durumda olmalıdır.

Batarya takımını üründen çıkardıktan sonra da şarj edebilirsiniz.

Şarj süresi yaklaşık 2,5 saattir. Pil tamamen şarj olduğunda pilin üzerindeki LED ışığı beyaz renkte yanacaktır.

NOT: Şarj aletinin şarj olurken ısınması doğaldır. Sadece elektrikli süpürgeyle birlikte verilen şarj aletini kullanın.

EMNİYETLİ KORUMA SİSTEMİ

Ürün, ağır koşullar altında kullanıldığında ürün güvenilirliğinin olumsuz etki görmemesi için iki emniyetli koruma sistemi ile donatılmıştır.

1. Rulo fırçada tıkanıklık varsa veya fırça kilitliyse Güvenlik koruma sistemi çalışacaktır. Rulo fırçanın dönmesi bittiğinde, başlığın önündeki beyaz LED şerit 5 kez yanıp sönecektir. [18] Bu olursa, tek yapmanız gereken ürününüzü kapatmak ve rulo fırça tıkanıklığını gidermektir. Temizliğe devam etmek için açma/kapama düğmesine basın; ürün normal moda yeniden başlatılacaktır.

2. Başlık penceresi kullanılmadan önce tamamen kapatılırsa ikinci Güvenlik koruma sistemi çalışacaktır. Pencere açıkta başlık çalışmayacaktır. Bu durum meydana gelirse, ürünü kapatın ve başlık penceresinin doğru kapatıldığını emin olun. Temizliğe devam etmek için açma/kapama düğmesine basın; ürün normal moda yeniden başlatılacaktır.

AKSESUARLAR*

2'Sİ 1 ARADA KENAR-KÖŞE VE TOZ ALMA APARATI*, 2'Sİ 1 ARADA BÜYÜK TOZ ALMA VE MOBİLYA APARATI*, UZUN ESNEK KENAR-KÖŞE APARATI*, ÇOK İŞLEVİLİ YÜKSEK YÜZEY APARATI * VE MİNİ ELEKTRİKLİ BAŞLIK* Yukarıdaki aksesuarlar doğrudan ana gövde ünitesine veya boruya takılabilir. [6]

NOT: Başlığı veya ana gövde ünitesini borudan çıkarmak için ilgili çıkarma düğmesine basarak ayırın.

RADYATÖR APARATI * VE DERİN TEMİZLEME FIRÇASI*

Bu 2 aksesuar kullanıldığında aksesuar uyarlayıcısı* takılmalıdır. [6]

NOT: Kumaş yüzeylerini derinlemesine temizlemek (örneğin kanepeler) ve evcil hayvan tüylerini temizlemek için mini turbo başlık idealdir. Düzgün bir şekilde ileri ve geri hareket ettirin. Kullandıktan sonra gerekirse bir makasla fırçada toplanan tüyleri/iplikleri lütfen temizleyin.

Uzun esnek köşe aparatı, mobilya altları ve araba gibi ulaşması zor alanların temizlenmesi için idealdir.

Radyatör aparatı dolap, radyatör ve koltukların içini temizlemek için idealdir.

Derin temizleme fırçası, dar alanlarda yüzeyleri çizmeden temizlik yapmak ve araba içini temizlemek için kullanılabilir.

Çok işlevli yüksek yüzey aparatı, hassas yüzeylerin çizilmeden temizlenebilmesi ve erişmesi veya ulaşması zor alanların temizliği için tasarlanmıştır. Çok işlevli aparat, üç ana parçadan oluşur.

1. Köşe aparatı dar alanlara erişim için idealdir.
2. Toz fırçası, yüzeyleri hasar vermeden veya çizmeden temizlemek için idealdir.
3. Mobilya başlığı, kanepeler gibi yüzeylerin temizliği için idealdir.

AKSESUAR ÇANTASI*

İlave aksesuarlar aksesuar çantasında saklanabilir.

TEMİZLEME ARACI

Tek siklonik sistem, toz haznesi ve başlığı temizlemek için temizlik aleti faydalıdır.

DUVARA MONTAJ*

Duvara montaj parçasını, ürünü asmak için ürüne birlikte verilen iki vidayı kullanarak duvara takın. [7]

TEMİZLEYİCİNİZİN BAKIMI

Toz Haznesini Boşaltma

1. El ünitesi çıkarma düğmesine basın ve boruyu çıkarın. [1b]
2. Toz haznesi kapağını çıkarmak ve içindeki boşaltmak için toz haznesi kapak çıkarma düğmesine basın. [8a]
3. Toz haznesi kapağını kapatın, tam olarak kilitletiğinde bir tık sesi duyacaksınız.

* Sadece bazı modeller için

NOT: Toz haznesinin her kullanım sonrasında veya toz maksimum dolma çizgisine geldiğinde boşaltılması önerilir.

Toz Haznesinin Hızlı Günlük Temizliği

Toz haznesi kapağını açın ve toz haznesini temizleme aracının yardımıyla çıkarın.

Toz haznesinin içinde biriken dozu dışarı çekmek için kanca ucunu kullanın. **[8b]**

Tek siklonik sistemin çevresine sıkışmış ince tozları almak için fırça ucunu kullanın. **[10b]**

NOT: Toz haznesinin boşaltıldıktan sonra temizlenmesi önerilir.

Toz haznesini ve filtreyi temizleyiniz

1. Boru ayırma düğmesine basın ve boruyu çıkarın. **[1b]**
2. Toz haznesi kapağını çıkarmak ve içindeki boşaltmak için toz haznesi kapak çıkarma düğmesine basın. **[8]**
3. Toz haznesi kapağını kapatın, tam olarak kilitletiğinde bir tık sesi duyacaksınız.
4. Batarya ayırma düğmesine basın ve batarya takımını çıkarın. **[2b]**
5. Toz haznesinin arka tarafında bulunan toz haznesi kapağı çıkarma düğmesine basın ve üniteden çekerek ters saat yönünde döndürün. **[9]**
6. Desteği toz haznesinden çekerek Ön Motor Filtresini çıkarın. **[10]**
7. Metal halkayı toz haznesinden çekerek siklonik sistemi çıkarın. **[10]**
8. Siklonik sistemi çekin ve siklonik girdap bulucuyu ters saat yönünde döndürüp çıkarın. **[11]**
9. Filtreyi ve siklonik sistemi ılık suda yıkayın ve 24 saat boyunca kurumaya bırakın. **[12,13]**
10. Tamamen kurduğunda süpürgedeki yerine yeniden takınız. **[14,15,16,17]**

NOT: Motor öncesi filtreyi temizlerken sıcak su veya deterjan kullanmayın. Motor öncesi filtrenin hasar görmesi halinde, orijinal bir Hoover yedek parçası takın.

Toz haznesini ana gövdeye takmadan önce ürünü ön motor filtresi takılı olmadan kullanmayın.

ÖNEMLİ: En yüksek performans için filtreyi her zaman temiz tutun.

Rulo fırça ve başlığın temizlenmesi

ÖNEMLİ: Rulo fırçayı değiştirmeden ve temizlemeden önce her zaman elektrik süpürgesini kapatın.

1. Başlığı borudan çıkarın. **[19]**
2. Kaydırıcıyı sağa doğru hareket ettirin, başlık penceresi açılacaktır. **[20]**
3. Hibrit rulo fırçayı çıkarmak için başlık penceresini tamamen açın. **[20]**
4. Rulo fırça Serbest Bırakma Uç Başlığını tutun ve rulo fırçayı çıkarın. **[21]**
5. Rulo fırçada kir kalmışsa, bunları elle ya da temizleme aracının yardımıyla giderin. **[22]**
6. Başlık içinde veya tarak çevresinde kir varsa, bunları temizleme aracının fırçasını kullanarak giderin. **[23]**
7. Başlıkta hiçbir engel bulunmadığından emin olmak için başlığı baş aşağı çevirin ve taban kısmını tamamen kontrol edin. Gerekli olması durumunda, sağlanan temizleme aracının Kancasını kullanarak bu alanı temizleyin. **[24]**
8. Başlığı ilk konuma çevirin ve rulo fırçayı yeniden takın. Rulo fırça yalnızca bir yönde takılabilir, fırçanın yerine oturmasını sağlamak için hafifçe uca bastırın. **[25]**
9. Pencerenin orta alanına 'klik' sesiyle yerine oturduğunu duyana kadar bastırarak pencereyi kapatın. Her iki taraftan bastırarak Pencere'nin tamamen kilitleyip kilitlemediğini kontrol edin. **[26]**

NOT: Lütfen kullanmadan önce başlık penceresinin tamamen kapatıldığından emin olun. Pencere açıksa başlık çalışmayacaktır.

Pillerin değiştirilmesi

Bu süpürge, değiştirilebilir ve şarj edilebilir bir lityum iyon pil takımı ile donatılmıştır.

UYARI: Yalnızca elektrik süpürge için onaylanmış yedek parçaları kullanın. Hoover tarafından onaylanmamış parçaların kullanılması tehlikelidir ve garantinizi geçersiz kılar.

UYARI: Batarya grubunu açmaya ve kendiniz onarmaya çalışmayın.

1. Batarya ayırma düğmesine basın ve batarya takımını dışa doğru çekin. **[2b]**
2. Eski batarya grubunu çıkarın ve yeni batarya grubuyla değiştirin.
3. Pilleri güvenli bir şekilde imha edin. Kullanılmış piller bir geri dönüştürme istasyonuna götürülmeli ve evsel atıklarla birlikte atılmamalıdır.

* Sadece bazı modeller için

SORUN GİDERME

Elektrikli süpürgeyle ilgili bir sorun yaşarsanız, Hoover Müşteri Hizmetleri Merkezi'ni aramadan önce aşağıdaki kontrol listesini inceleyin:

A. Elektrikli süpürge açılmıyor

Süpürge'nin şarj olduğundan emin olun
Batarya grubunun yerine monte edilmiş olup olmadığını kontrol edin.

B. Süpürge çalışmayı durdurdu

Rulo fırçada bir tıkanıklık olup olmadığını kontrol edin, temizleyin ve pil paketinin çıkarıldığından emin olun.
Bu işlem sonrasında, AÇMA/KAPAMA düğmesine basın; ürün yeniden başlatılacaktır.
Toz haznesini boşaltın ve ön motor filtresini, Tek Siklonu, Girdap Bulucuyu ve siklonik ayırıcıyı yıkayın.
Başlığı çıkarın ve kanalda tıkanıklık olup olmadığını kontrol edin.

C. Emme zayıf veya emme yapılmıyor.

Toz haznesini boşaltın ve ön motor filtresi ile siklonik sistemi yıkayın.
Başlığı çıkarın ve kanalda tıkanıklık olup olmadığını kontrol edin.

D. Bataryalar şarj edilemiyor

Batarya değişimi için Hoover müşteri hizmetlerine başvurun.
Sorun devam ederse Hoover Müşteri Hizmetleri Merkezi'ne başvurun.
Bu, çok uzun süre saklamadan dolayı olabilir (altı aydan fazla).

E. Başlık çalışmıyor

Başlık penceresinin tamamen kapatılıp kapatılmadığını kontrol edin.

HOOVER YEDEK PARÇA VE SARF MALZEMELERİ

Parçaları daima orijinal Hoover parçaları ile değiştirin. Bu parçaları Hoover servislerinden tedarik edebilirsiniz. Parça siparişi verirken mutlaka cihazın model numarasını belirtin.

GARANTİNİZ

Bu cihaz için garanti koşulları, cihazın satıldığı ülkedeki temsilcimiz tarafından tanımlanmaktadır. Bu koşullara ilişkin ayrıntılar cihazın satın alındığı bayiden edinilebilmektedir. Bu garanti koşulları altında yapılan talepte satış fişi(faturası) ve makbuzu ibraz edilmiş olmalıdır.

ÖNEMLİ: Bu süpürge'deki pil satın alma tarihinden itibaren 6 ay için garantilidir. 6 ay sonra, yeni bataryanın maliyeti ile ilgili sorumluluk müşteriye ait olacaktır.

Haber verilmeksizin değişiklikler yapılabilir.

