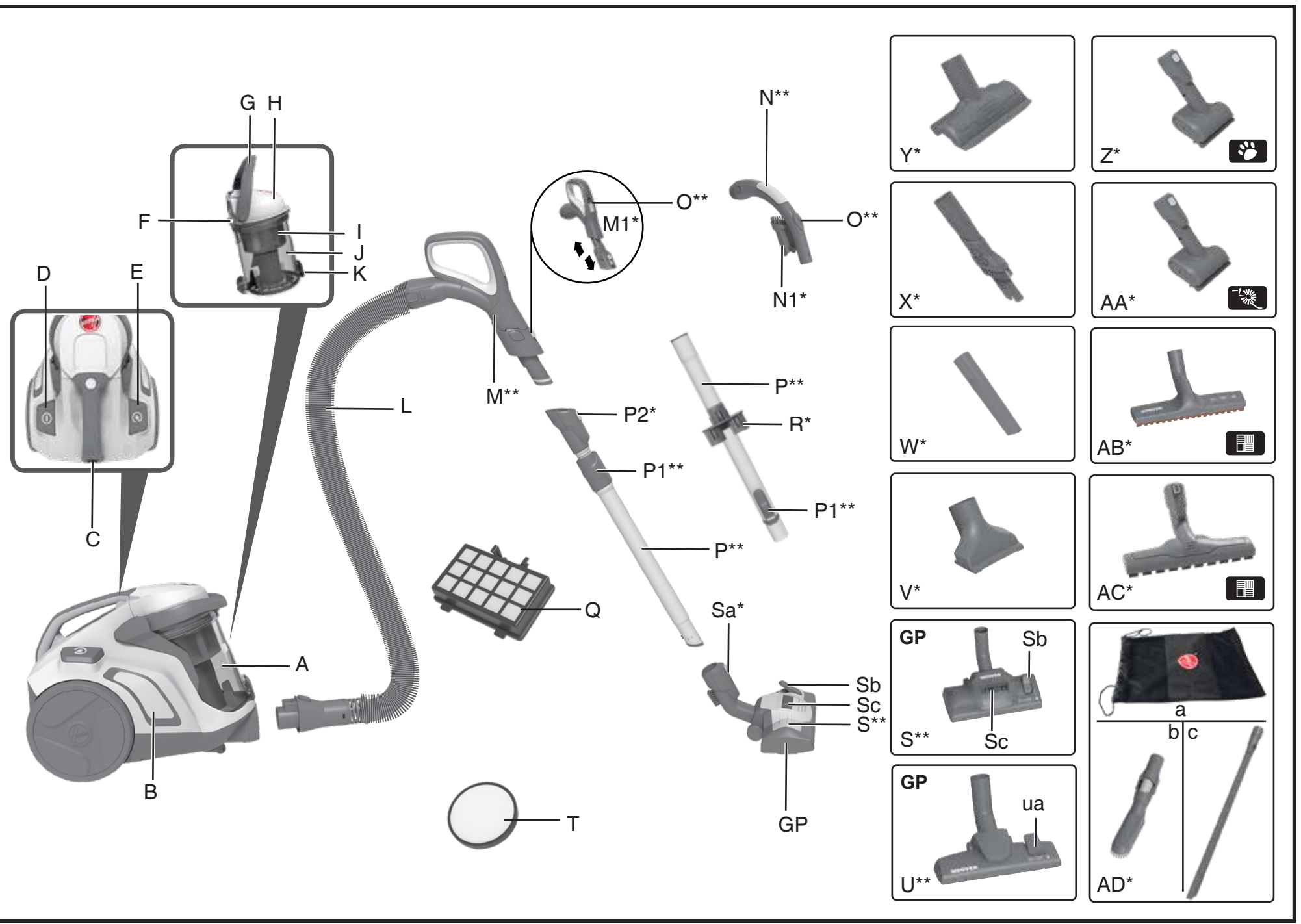


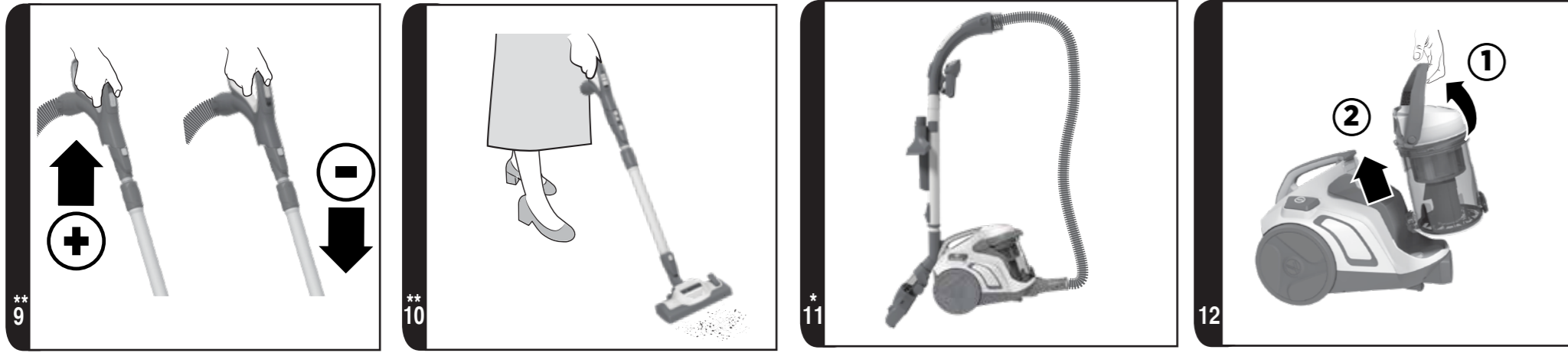
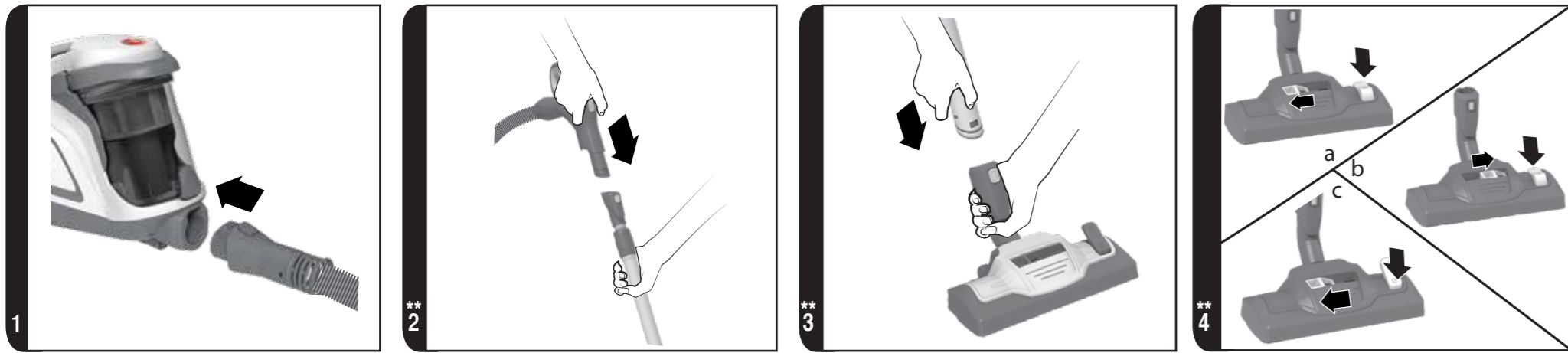


PRINTED IN P.R.C.
48030869

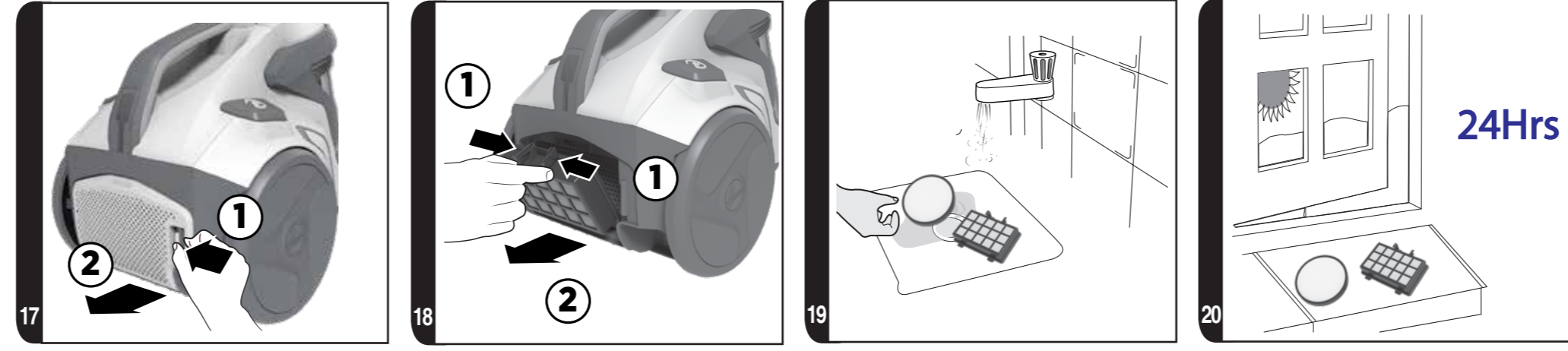
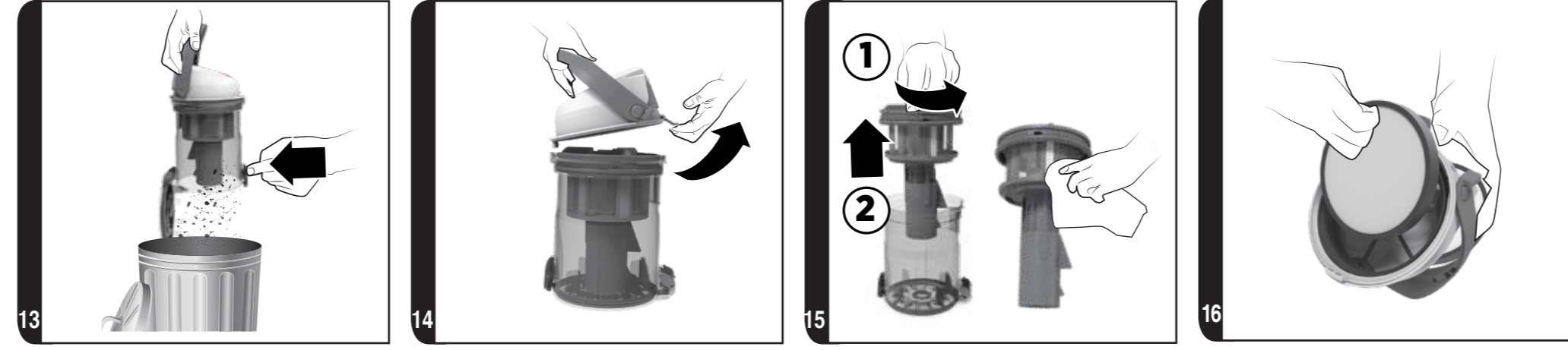
USER MANUAL (GB)P 01
 MANUEL D'UTILISATION (FR)P 05
 BEDIENUNGSANLEITUNG (DE)P 09
 MANUALE ISTRUZIONI (IT)P 13
 GEBRUIKERSHANDLEIDING (NL)P 17
 MANUAL DE INSTRUÇÕES (PT)P 21
 MANUAL DE INSTRUCCIONES (ES)P 25
 BRUGERVEJLEDNING (DK)P 29
 BRUKSANVISNING (NO)P 33
 INSTRUKTIONSMANUAL (SE)P 37
 KÄYTTÖOHJE (FI)P 41
 ΟΔΗΓΙΕΣ ΧΡΗΣΕΩΣ (GR)P 45
 РУКОВОДСТВО ПОЛЬЗОВАТЕЛЯ (RU)P 49
 INSTRUKCJA OBSŁUGI (PL)P 53
 NÁVOD K OBSLUZE (CZ)P 57
 NAVODILA ZA UPORABO (SI)P 61
 UŽÍVATEĽSKÁ PRÍRUČKA (SK)P 65
 KULLANIM KILAVUZU (TR)P 69
 HASZNÁLATI ÚTMUTATÓ (HU)P 73



*Certain Models Only **May vary according to models



*Certain Models Only **May vary according to models



*Certain Models Only **May vary according to models

*Certain Models Only **May vary according to models

INSTRUCTIONS FOR SAFE USE

This appliance should only be used for domestic cleaning, as described in this user guide. Please ensure that this guide is fully understood before operating the appliance.

Do not leave the appliance plugged in. Always switch off and remove the plug from the socket after use, or before cleaning the appliance or any maintenance task.

This appliance can be used by children aged from 8 years and above and persons with reduced physical, sensory or mental capabilities or lack of experience and knowledge if they have been given supervision or instruction concerning use of the appliance in a safe way and understand the hazards involved. Children shall not play with the appliance. Cleaning and user maintenance shall not be made by children without supervision.

If the power cord is damaged stop using the appliance immediately. To avoid a safety hazard, an authorised HOOVER service engineer must replace the power cord.

Keep hands, feet, loose clothing and hair away from rotating brushes.

Use only attachments, consumables or spares recommended or supplied by HOOVER.

Static electricity: Some carpets can cause a small build up of static electricity. Any static discharge is not hazardous to health.

Do not use your appliance out of doors or on any wet surface or for wet pick up.

Do not pick up hard or sharp objects, matches, hot ashes, cigarette ends or other similar items.

Do not spray with or pick up flammable liquids, cleaning fluids, aerosols or their vapours.

Do not run over the power cord when using your appliance or remove the plug by pulling on the power cord.

Do not continue to use your appliance if it appears faulty.

Do not stand on or wrap the cord around arms or legs when using your appliance.

Do not use the appliance to clean animals or people.

Do not position the appliance above you when cleaning the stairs.

HOOVER service: To ensure the continued safe and efficient operation of this appliance we recommend that any servicing or repairs are only carried out by an authorised HOOVER service engineer.

The Environment

The symbol on this appliance indicates that this appliance may not be treated as household waste. Instead it must be handed over to the applicable collection point for the recycling of electrical and electronic equipment. Disposal must be carried out in accordance with local environmental regulations for waste disposal. For more detailed information about treatment, recovery and recycling of this appliance, please contact your local city office, your household and waste disposal service or the shop where you purchased the appliance.



This appliance complies with the European Directives 2014/35/EU, 2014/30/EU and 2011/65/EU.

CANDY HOOVER GROUP S.r.l. Via Privata Eden Fumagalli, 20861 Brugherio (MB) Italy

GETTING TO KNOW YOUR CLEANER

- | | |
|--|--|
| A. Dust Bin Assembly | P2. Telescopic Tube Secure Connection* |
| B. Cleaner Main Body | Q. Exhaust Filter |
| C. Parking Slot | R. Accessory Holder* |
| D. On / Off Power Control Button | S. Carpet and Floor Nozzle (GP)** |
| E. Cord Reel Button | Sa. Carpet and Floor Nozzle
Secure Connection* |
| F. Dust Bin Lid Opening Latch | Sb. Floor Type Selector Pedal |
| G. Dust Bin Release Handle | Sc. Nozzle Suction Regulator* |
| H. Dust Bin Lid | T. Pre-motor Filter |
| I. Separation System with integrated
Shroud Cleaning System | U. Carpet and Floor Nozzle (GP)** |
| J. Dust Bin | Ua. Floor Type Selector Pedal |
| K. Dust Bin flap Release Button | V. Furniture Tool* |
| L. Hose | W. Crevice Tool* |
| M. Advanced Comfort Handle with
Soft Grip, Suction Regulator and
Integrated Accessories (See M1**) | X. Long 2in1 Tool* |
| M1. Integrated Accessories:
Built-in Crevice Tool, Dusting
Brush and Furniture Tool | Y. Advanced Furniture Nozzle* |
| N. Intelligent Handle with
integrated Dusting Brush** | Z. Mini Turbo Dual Action Pet
Hair Remover Nozzle* |
| N1. Integrated Dusting Brush* | AA. Mini Turbo Dual Action Allergen
Remover Nozzle* |
| O. Handle Suction Regulator** | AB. Parquet Extra Nozzle* |
| P. Telescopic Tube** | AC. Parquet Extra Care Nozzle* |
| P1. Telescopic Tube Adjuster** | AD. Accessories Car Kit*:
a. Accessories Bag
b. Big Dusting Brush
c. XL Flexible Crevice Tool |

ASSEMBLING YOUR CLEANER

Remove all components from the packaging.

1. Connect the hose to the cleaner main body, ensuring it clips and locks into position. To release: simply press the buttons on the hose end and pull. [1]
2. Connect the hose handle** to the end of the extension tube upper, or accessories* if required. [2]
3. Connect the extension tube lower to the carpet and floor nozzle**, [3] or accessories* if required.
4. The cleaning accessory tools can be stored* after use on the underside of the extension tube, using the accessory holder provided*.

* Certain Models Only ** May vary according to model

USING YOUR CLEANER

1. Extract power cord and plug it into the power supply. Do not pull the cord beyond the red marker. [6]
2. Adjust the length of the telescopic tube by moving the telescopic tube adjuster** up and raise or lower the hose handle to the most comfortable cleaning position. [5]
3. Carpet & Floor Nozzle**. Press the pedal on the nozzle [4] to select the ideal cleaning mode for the floor type.

Hard Floor: The brushes are lowered to protect the floor.

Carpet: With lifted brushes for the deepest clean.

Carpet & Floor Nozzle**: [4]

- **Hard floor Cleaning:** Press the floor type selector pedal on the nozzle on Hard Floor mode and adjust the nozzle suction regulator to open [4a] or close [4b] position for the most comfortable cleaning position. In this position brushes are lowered to protect hard floors.
 - **Carpet Cleaning:** Press the floor type selector pedal on the nozzle on Carpet mode and adjust the nozzle suction regulator to open position. In this position brushes are raised for a deeper cleaning of your carpet. [4c] It's suggested to open the nozzle suction regulator on carpet to allow a better sliding.
4. Switch the cleaner on by pressing the On/Off button on the cleaner main body. [8]
 5. **Fixed Power Control*** - The cleaner will operate at a fixed power setting.

Advanced Comfort Handle with Integrated Accessories:** [M, M1]

- **Built-in Crevice Tool:** The hose handle end can be used as a crevice tool to reach narrow spaces.
- **Furniture Tool:** Press the latches on both sides of the handle and slide downwards to release the furniture tool to clean soft surfaces and textiles (curtains, upholstery).
- **Dusting Brush:** Press the latches on both sides of the handle and slide downwards, then push the slider to the end to release the built-in dusting brush. Ideal for hardsurfaces (bookshelves, keyboards, skirting boards).
- **Suction Regulator**:** Adjust the suction by opening or closing the air valve on the handle. [9, O**]

Intelligent Handle**: [N,N1]

- **Suction Regulator** [O]:** Adjust the suction power by opening or closing the air valve on the handle.
 - **Dusting Brush:** It is integrated directly underneath the hose handle.
6. Switch off at the end of use by pressing the On/Off Button on the cleaner main body. Unplug and rewind the power cord by pressing the cord reel button.
 7. Parking and storage - The tube can be parked for temporary storage while in use, or in the storage position when not in use. [11]

ACCESSORIES

To obtain the best performance and efficiency it is recommended that the correct nozzles are used for the main cleaning operations. These nozzles are indicated in the diagrams by the letters **GP**, **HF** or **CA**.

A nozzle type **GP** can be used to clean both carpet and hard floor.

A nozzle type **HF** is suitable for use only on hard floor.

A nozzle of type **CA** is suitable for use only on carpet.

The other nozzles are accessories for specialist cleaning tasks and are recommended for occasional use only.

All accessories can be fitted to the end of the handle* or the end of the telescopic tube.

Accessory Set**:

Crevice Tool – For corners and hard to reach areas.

Furniture Nozzle – For soft furniture and fabrics.

Dusting Brush – For bookshelves, frames, keyboards and other delicate areas.

Dual Action Pet Hair Remover Nozzle* [Z] – Use the mini turbo nozzle on stairs or for deep cleaning on textile surfaces and other hard to clean areas. Particularly suitable for pet hairs removal.

Dual Action Allergen Remover Nozzle* [AA] – Use the mini turbo nozzle on stairs or for deep cleaning on textile surfaces and other hard to clean areas, particularly suitable for allergen removal.

Parquet Extra Care and Parquet Extra nozzles* [AC,AB] – For parquet floors and other delicate floors.

Long 2in1 Tool* [X] – Crevice tool and dusting brush - It allows to clean hard-to-reach areas such as bookshelves and high corners.

IMPORTANT: Do not use mini turbo nozzles on rugs with long fringes, animal hides and carpet pile deeper than 15mm. Do not keep the nozzle stationary while brush is rotating.

Car Kit Accessories* [AD]:

XL Flexible Crevice Tool* – Ideal for car cleaning. Its length enables cleaning of difficult areas to reach, narrow crevices.

Large Dusting Brush with integrated Furniture nozzle* – Suitable to clean the soft & delicate surfaces for both car and home.

Accessories' bag* – For tidy storage of all the accessories.

CLEANER MAINTENANCE

Emptying the Dust Bin

When the dust reaches the max level indicator on the container, empty the dust bin.

IMPORTANT: To maintain optimum performance do not allow the dust exceed the max level indicator.

1. Switch the cleaner off by pressing the On/Off button on the cleaner main body [8], and unplug the power cable.

* Certain Models Only ** May vary according to model

2. Lift the dust bin release handle and remove the dust bin assembly from the cleaner. [12]
3. Hold the dust bin with one hand and with the other hand press the dust bin flap release button. [13]
4. Close the dust bin flap and refit the dust bin assembly to the cleaner main body.

Cleaning the washable filters

The cleaner is fitted with a blue filter pack. To maintain optimum cleaning performance regularly remove the filters and tap against the side of the bin to release dust. The filters should be washed every 5 bin empties or when the filter has excessive dust level.

IMPORTANT: All bagless cleaners require regular filter cleaning. Failure to clean your filters may result in air blockage, overheating and product failure. This may invalidate your guarantee.

IMPORTANT: Regularly check and maintain the filters.

IMPORTANT: Always ensure the filter pack is fully dry before use.

To access the pre-motor filter:

1. Lift the dust bin release handle and remove the dust bin assembly from the cleaner. [12]
2. Hold the dust bin with one hand and with the other hand lift the dust bin lid opening latch to open the bin lid. [14]
3. Remove the pre-motor filter located in the bin lid. [16]
4. Gently tap and wash the pre-motor filter. Do not use hot water or detergents. Remove excess water from the filter and leave to dry fully before re-using. [19, 20]
5. Reassemble the pre-motor filter to the dust bin lid once fully dry and refit to the cleaner.

To access the exhaust filter:

1. Unclip the exhaust filter cover from the rear of the cleaner main body. [17]
2. Remove the exhaust filter from the rear of the cleaner. [18]
3. Gently tap and wash the filter using warm water. Do not use hot water or detergents. Remove excess water from the filter and leave to dry fully before re-using. [19, 20]
4. Refit the exhaust filter to the rear of the cleaner once fully dry and refit the exhaust filter cover.

IMPORTANT: Do not use the product without the filter pack fitted.

Cleaning the dust bin / separation unit

This cleaner uses a separation system and shroud cleaning system unique to Hoover. If necessary the separation unit can be disassembled from the dust bin and cleaned.

1. Lift the dust bin release handle and remove the dust bin assembly from the cleaner. [12]
2. Hold the dust bin with one hand and with the other hand lift the dust bin lid opening latch to open the dust bin lid. [14]
3. Remove the separation system (including the integrated shroud cleaning system) from the dust bin. [15]
4. If necessary, use a cloth to remove excessive dust from the separation system (including the integrated shroud cleaning system).

5. Place the dust bin under tap water. Rinse with lukewarm water. Wash internal surfaces of the dust bin with water only. DO NOT use soap detergents to wash the internals of the dust bin.
6. Reassemble the internal component to the dust bin, ensuring all components are dry.
7. Close over the dust bin lid and refit dust bin assembly to cleaner.

Removing a blockage

1. Check if the dust bin is full. If so refer to 'Emptying the dust bin'.
2. If the dust bin is empty but suction is still low:
 - A. Do the filters need cleaning? If so refer to 'Cleaning the washable filters'.
 - B. Check if there is any other blockage in the system - Use a rod or pole to remove anyblockage from the extension tube or flexible hose.
 - C. Check if pre-motor filter is fitted.
 - D. Check if the separation unit needs to be cleaned. Refer to 'Cleaning the separation unit'.

USER CHECKLIST

Should you have a problem with the product, complete this simple user checklist before calling your local Hoover service.

- Is there a working electricity supply to the cleaner? Please check with another electrical appliance.
- Is the dust container over-filled? Please refer to 'Cleaner Maintenance'.
- Is the Filter blocked? Please refer to 'Cleaning the filter'.
- Is the hose or nozzle blocked? Please refer to 'Removing a blockage from the system'.
- Has the cleaner overheated? If so, it will take approximately 30 minutes to automatically reset.

IMPORTANT INFORMATION

Hoover spares and Consumables

Always replace parts with genuine Hoover spares. These are available from your local Hoover dealer or direct from Hoover. When ordering parts always quote your model number.

Hoover Service

Should you require service at any time, please contact your local Hoover Service Office.

Quality

BSI ISO 9001

Hoover's factories have been independently assessed for quality. Our products are made using a quality system which meets the requirements of ISO 9001.

Your Guarantee

The guarantee conditions for this appliance are as defined by our representative in the country in which it is sold. Details regarding these conditions can be obtained from the dealer from whom the appliance was purchased. The bill of sale or receipt must be produced when making any claim under the terms of this guarantee.

Subject to change without notice.

INSTRUCTIONS DE SÉCURITÉ D'UTILISATION

Cet appareil ne doit être utilisé que pour un nettoyage domestique, conformément à ce guide d'utilisation. Veuillez vous assurer que ces instructions sont parfaitement comprises avant d'utiliser l'appareil.

Ne laissez pas l'appareil branché. Éteignez et débranchez toujours l'appareil après l'avoir utilisé, ou avant de le nettoyer ou de procéder à son entretien.

Cet appareil peut être utilisé par des enfants âgés d'au moins 8 ans et par des personnes ayant des capacités physiques, sensorielles ou mentales réduites, ou n'ayant pas d'expérience ou de connaissances en la matière. Ces dernières doivent recevoir des instructions sur l'utilisation de l'appareil en toute sécurité et comprendre les risques impliqués. Les enfants ne doivent pas jouer avec l'appareil. Le nettoyage et l'entretien ne devraient pas être effectués par des enfants sans supervision.

Si le cordon d'alimentation est endommagé, arrêtez immédiatement d'utiliser l'appareil. Pour éviter les risques d'accident, un réparateur HOOVER agréé doit remplacer le cordon d'alimentation.

Maintenez les mains, pieds, vêtements et cheveux à distance des brosses rotatives.

N'utilisez que les accessoires, consommables ou pièces détachées recommandés ou fournis par HOOVER.

Électricité statique : Certains tapis/moquettes peuvent entraîner une petite accumulation d'électricité statique. Les décharges d'électricité statique ne sont pas dangereuses pour la santé.

N'utilisez pas votre appareil à l'extérieur, sur une surface humide ou aspirer des détritiques humides.

N'aspirez pas d'objets durs ou tranchants, d'allumettes, de cendres chaudes, de mégots de cigarettes ou d'autres objets similaires.

Ne pulvériser ou n'aspirez pas de liquides inflammables, des produits d'entretien liquides, des aérosols ou leurs vapeurs.

Ne marchez pas sur le cordon d'alimentation lorsque vous utilisez votre appareil et ne le débranchez pas de la prise en tirant sur le cordon d'alimentation.

Ne continuez pas à utiliser votre appareil s'il semble défectueux.

Ne marchez pas sur le cordon d'alimentation ou ne l'enroulez pas sur vos bras ou vos jambes quand vous utilisez l'appareil. N'utilisez pas l'appareil sur des personnes ou des animaux. Lors du nettoyage des escaliers, ne placez pas l'appareil dans une position plus haute que la vôtre.

Service HOOVER : Pour assurer l'utilisation sûre et efficace de cet appareil, nous recommandons de n'en confier l'entretien ou les réparations qu'à un réparateur HOOVER agréé.

Environnement

Le symbole figurant sur cet appareil indique qu'il ne peut pas être considéré comme une ordures ménagère. Vous devez le déposer dans un centre de recyclage des déchets électriques et électroniques. La déposition doit être effectuée conformément à la réglementation locale en matière de déchets. Pour obtenir des compléments d'information sur le traitement, la récupération et le recyclage de cet appareil, veuillez contacter votre municipalité, le service local d'élimination des ordures ménagères ou le revendeur de l'appareil.



Cet appareil est conforme aux Directives européennes 2014/35/UE, 2014/30/UE et 2011/65/UE.

CANDY HOOVER GROUP S.r.l. Via Privata Eden Fumagalli, 20861 Brugherio (MB) Italy

CONNAITRE VOTRE ASPIRATEUR

- | | |
|--|---|
| A. Ensemble de bac à poussière | P1. Bouton de réglage du tube télescopique** |
| B. Corps principal de l'aspirateur | P2. Connexion sécurisée du tube télescopique* |
| C. Fente de rangement | Q. Filtre d'évacuation |
| D. Bouton Marche / Arrêt / Variateur de puissance | R. Porte-accessoires* |
| E. Bouton d'enroulement du cordon | S. Brosse pour moquette et sol dur (GP)** |
| F. Loquet d'ouverture du couvercle du bac à poussière | Sa. Connexion sécurisée de la brosse moquette et sol* |
| G. Poignée de déverrouillage du bac à poussière | Sb. Sélecteur de type de sol |
| H. Volet du bac à poussière | Sc. Régulateur d'aspiration* |
| I. Système de séparation avec revêtement spécial nettoyage facile. | T. Filtre pré-moteur |
| J. Cassette de poussière | U. Brosse pour moquette et sol dur (GP)** |
| K. Bouton de verrouillage du volet du bac à poussière | Ua. Sélecteur de type de sol |
| L. Flexible | V. Accessoire de meuble* |
| M. Poignée de confort avancée avec prise souple, régulateur d'aspiration et accessoires intégrés (Voir le point M1 ci-dessous**) | W. Suceur plat* |
| M1. Accessoires intégrés : Suceur plat encastré, Brosse à poussière et accessoire de meuble | X. Accessoire long 2 en 1* |
| N. Poignée ergonomique avec brosse meuble intégrée** | Y. Buse avancée pour meubles* |
| N1. Brosse meuble intégrée* | Z. Mini turbobrosse pour élimination des poils d'animaux domestiques à double action* |
| O. Régulateur d'aspiration avec poignée** | AA. Mini turbobrosse pour élimination des allergènes à double action* |
| P. Tube télescopique** | AB. Brosse parquet Extra* |
| | AC. Brosse parquet Extra Care* |
| | AD. Kit voiture d'accessoires*:
a. Sac d'accessoires
b. Grande brosse meuble
c. Suceur flexible coins XL |

MONTAGE DE L'ASPIRATEUR

Sortez tous les composants de l'emballage.

- Raccordez le flexible à l'aspirateur en veillant à ce qu'il se fixe bien et se verrouille correctement. Pour le détacher : il suffit d'appuyer sur les boutons du tuyau et de tirer. [1]
- Connectez la poignée** du tuyau à l'extrémité supérieure du tube de rallonge, ou aux accessoires*, si nécessaire. [2]
- Connectez l'extrémité inférieure du tube de rallonge à la brosse** [3] combinée sols durs et moquettes ou aux accessoires*, si nécessaire.
- Les outils accessoires de nettoyage peuvent être rangés* après l'utilisation sur la partie inférieure du tube de rallonge, à l'aide du porte-accessoires prévu*.

* Sur certains modèles uniquement

** Peut varier selon le modèle

UTILISATION DE L'APPAREIL

- Sortez le cordon d'alimentation et branchez-le sur la prise d'alimentation. Ne sortez pas le cordon au-delà du repère rouge. [6]
- Régler le tube télescopique à la hauteur désirée en déplaçant le régleur** tube télescopique en l'élevant ou abaissant la poignée à la position de nettoyage la plus confortable. [5]
- Brosse moquette et sol dur**. Appuyez sur la pédale de la brosse [4] pour sélectionner le mode d'aspiration idéal pour le type de sol.
Sol dur : Les brosses sont baissées pour protéger le sol.
Moquette : Les brosses sont relevées pour une aspiration en profondeur.

Brosse moquette et sol dur** : [4]

- **Dépoussiérage sur sols durs** : Appuyez sur la pédale de sélection du type de sol sur la buse en mode Sol dur et réglez le régulateur d'aspiration de la buse sur la position ouverte [4a] ou fermée [4b] pour obtenir la position de nettoyage la plus confortable. Dans cette position, les brosses sont abaissées pour protéger les planchers durs.
 - **Nettoyage de moquette** : Appuyez sur la pédale de sélection du type de sol sur la buse en mode Moquette et réglez le régulateur d'aspiration de la buse sur la position ouverte. Dans cette position, les brosses sont soulevés pour un nettoyage en profondeur de votre moquette. [4c] Il est suggéré d'ouvrir le régulateur d'aspiration de la buse sur la moquette pour permettre un meilleur glissement.
- Allumez l'aspirateur en appuyant sur le bouton de Marche/Arrêt. [8]
 - Contrôle de puissance*** - L'aspirateur fonctionnera à puissance fixe.

Poignée de confort avancée avec accessoires intégrés **: [M, M1]

- **Suceur intégré**: L'extrémité du flexible peut être utilisée comme suceur plat pour atteindre les espaces étroits.
- **Accessoire de meuble**: Appuyez sur les loquets des deux côtés de la poignée et faites-les coulisser vers le bas pour libérer l'accessoire de meuble afin de nettoyer les surfaces souples et les textiles (rideaux, tapisserie).
- **Brosse meuble**: Appuyez sur les loquets des deux côtés de la poignée vers le bas, puis poussez le variateur jusqu'à l'extrémité pour relâcher la brosse à poussière encastrée. Idéale pour les surfaces dures. (étagères, claviers, plinthes).
- **Variateur de puissance****: Ajustez la puissance d'aspiration en ouvrant ou en fermant la vanne d'air de la poignée. [9, O**]

Poignée confort** : [N, N1]

- **Variateur de puissance** [O]**: Ajustez la puissance d'aspiration en ouvrant ou en fermant la vanne d'air de la poignée.
 - **Brosse meuble**: Il est intégré directement sous la poignée de tuyau.
- Éteignez l'appareil quand vous avez fini de l'utiliser en appuyant sur le bouton On/Off

du corps principal de l'aspirateur. Débranchez et enrroulez le cordon d'alimentation en appuyant sur le bouton d'enroulement du cordon.

7. Parking et rangement - Le tube peut être mis en position « parking » pour l'immobilisation temporaire pendant l'utilisation, ou en position « rangement » lorsque l'aspirateur n'est pas utilisé. [11]

ACCESSOIRES

Pour obtenir la meilleure performance et efficacité énergétique, il est conseillé d'utiliser les bonnes brosses pour les principales opérations de nettoyage. Ces brosses sont indiquées dans les diagrammes par les lettres **GP**, **HF** ou **CA**.

Le type de brosse **GP** peut être utilisé pour nettoyer la moquette et les sols durs.

Le type de brosse **HF** n'est adapté que pour les sols durs.

Le type de brosse **CA** n'est adapté que pour les moquettes.

Les autres brosses sont des accessoires de nettoyage spécialisés et sont conseillées pour des usages occasionnels uniquement.

Tous les accessoires s'adaptent à la poignée* du flexible ou à l'extrémité du tube télescopique.

Jeu d'accessoires**:

Suceur plat – Pour coins et endroits difficiles d'accès.

Petit suceur – Pour tissus d'ameublement.

Brosse meuble – Pour étagères, cadres, claviers et autres surfaces délicates.

Brosse pour élimination des poils d'animaux domestiques à double action* [Z] – Mini turbo brosse pour escaliers ou nettoyage en profondeur des surfaces textiles et autres surfaces difficiles à aspirer. Particulièrement efficace pour éliminer les poils d'animaux.

Brosse pour élimination des allergènes à double action* [AA] – Utilisez la mini turbo brosse pour le nettoyage en profondeur des surfaces textiles et autres surfaces difficiles à nettoyer, particulièrement efficace pour éliminer les allergènes.

Brosses parquet Extra Care et parquet Care* [AC,AB] – Pour parquets et autres sols délicats.

Accessoire long 2 en 1* [X] – Suceur plat et brosse à poussière - Il permet de nettoyer les recoins difficiles d'accès tels que les étagères et les coins en hauteur.

IMPORTANT : N'utilisez pas les suceurs mini turbo sur les tapis à franges longues, les peaux d'animaux ou les moquettes à poils de plus de 15 mm de longueur. Ne pas laisser la brosse fixe au sol lorsque la turbo brosse est activé.

Accessoires du kit voiture* [AD]:

Suceur flexible coins XL* – Idéal pour le nettoyage de voiture. Sa longueur permet le nettoyage des endroits difficiles d'accès, des coins étroits.

Grande brosse à dépoussiérer avec brosse meuble intégrée* – adéquat pour le nettoyage de surfaces lisses et délicates de voiture et de maison.

Sac d'accessoires* – pour stocker tous les accessoires.

* Sur certains modèles uniquement

** Peut varier selon le modèle

ENTRETIEN DE L'ASPIRATEUR

Vider le bac de poussière

Lorsque la poussière atteint le repère de niveau maximum, videz le bac à poussière.

IMPORTANT : Afin de maintenir la performance optimale de l'appareil, ne laissez pas la poussière s'accumuler au-delà du niveau maximum.

1. Éteignez l'aspirateur en appuyant sur le bouton On/Off du corps principal de l'aspirateur et débranchez le câble d'alimentation.
2. Soulevez la poignée de déverrouillage du bac à poussière et retirez l'ensemble bac à poussière de l'aspirateur. [12]
3. Tenez le bac à poussière d'une main et de l'autre main, appuyez sur le bouton de détachement du volet du bac à poussière. [13]
4. Fermez le volet du bac à poussière et remontez l'ensemble bac à poussière sur le corps principal de l'aspirateur.

Nettoyage des filtres lavables

L'aspirateur est pourvu d'un jeu de filtres bleus. Pour une performance optimale d'aspiration, retirez régulièrement les filtres et les tapoter contre le côté du bac pour décoller la poussière. Les filtres doivent être lavés après avoir vidé 5 fois le bac à poussière ou lorsqu'ils sont encrassés.

IMPORTANT : Tous les aspirateurs sans sac nécessitent un nettoyage régulier du filtre. Un défaut de nettoyage des filtres peut entraîner un blocage d'air, une surchauffe et un défaut du produit. Ceci peut annuler votre garantie.

IMPORTANT : Contrôlez et entretenez régulièrement les filtres.

IMPORTANT : Veillez toujours à ce que le jeu de filtres soit bien sec avant utilisation.

Pour accéder au filtre pré-moteur

1. Soulevez la poignée de déverrouillage du bac à poussière et retirez l'ensemble bac à poussière de l'aspirateur. [12]
2. Tenez le bac à poussière d'une main et de l'autre main, soulevez le loquet d'ouverture du couvercle du bac à poussière pour l'ouvrir le bac à poussière. [14]
3. Retirez le filtre pré-moteur placé sur le volet du bac. [16]
4. Tapotez doucement et lavez le filtre pré-moteur. N'utilisez pas d'eau chaude ou de détergents. Éliminez l'excédent d'eau du filtre et laissez-le sécher complètement avant de le réutiliser. [19, 20]
5. Remontez le filtre pré-moteur sur le volet du bac à poussière une fois qu'il est entièrement sec et remettez-le sur l'aspirateur.

Pour accéder au filtre d'évacuation

1. Déclipsez le couvercle du filtre d'évacuation de l'arrière du corps principal de l'aspirateur. [17]
2. Retirez le filtre d'évacuation de l'arrière de l'aspirateur. [18]
3. Tapotez doucement et lavez le filtre avec de l'eau tiède. N'utilisez pas d'eau chaude ou de détergents. Éliminez l'excédent d'eau du filtre et laissez-le sécher complètement avant de le réutiliser. [19, 20]

- Remettez le filtre d'évacuation à l'arrière de l'aspirateur une fois qu'il est complètement sec et remettez le couvercle du filtre d'évacuation.

IMPORTANT : N'utilisez pas l'aspirateur sans les filtres.

Nettoyage de la cuve à poussière/de l'unité de séparation

Cet aspirateur utilise un système de séparation et un système de nettoyage du carter uniques à Hoover. Si nécessaire, vous pouvez démonter l'unité de séparation du bac à poussière pour la nettoyer.

- Soulevez la poignée de déverrouillage du bac à poussière et retirez l'ensemble bac à poussière de l'aspirateur. [12]
- Tenez le bac à poussière d'une main et de l'autre main, soulevez le loquet d'ouverture du couvercle du bac à poussière pour l'ouvrir le couvercle du bac à poussière. [14]
- Retirez le système de séparation (y compris le système intégré de nettoyage du carter) du bac à poussière. [15]
- Si nécessaire, utilisez un chiffon pour éliminer l'excès de poussière du système de séparation (y compris le système intégré de nettoyage du carter).
- Placez le bac à poussière sous le robinet. Rincez à l'eau tiède. Nettoyez les surfaces internes du bac à poussière avec de l'eau uniquement. N'UTILISEZ EN AUCUN CAS un détergent pour nettoyer l'intérieur du bac à poussière.
- Remontez le composant interne sur le bac à poussière, tout en vous assurant que tous les composants sont secs.
- Fermez le volet du bac à poussière et remettez l'ensemble de bac à poussière sur l'aspirateur.

Élimination d'une obstruction

- Vérifiez si le bac à poussière est plein. Si c'est le cas, voir « Pour vider le bac à poussière ».
- Si le bac à poussière est vide mais que l'aspirateur aspire mal :
 - Les filtres ont-ils besoin d'être nettoyés ? Si c'est le cas, voir « Pour nettoyer les filtres lavables ».
 - Vérifiez qu'il n'y ait pas de blocage à un autre endroit du système. - Si les obstructions sont dans le tube de rallonge, le flexible ou encore la brosse, enlevez-les à l'aide d'une tige.
 - Vérifiez que le filtre pré-moteur est en place.
 - Vérifiez si l'unité de séparation doit être nettoyée. Reportez-vous à « Nettoyage du système de séparation Airvolution ».

autre appareil électrique.

- Le bac à poussière est-il saturé ? Veuillez vous reporter à « Entretien de l'aspirateur ».
- Le filtre est-il encrassé ? Si c'est le cas, référez-vous à « Pour nettoyer le filtre ».
- Le tube ou le flexible est-il bouché ? Veuillez vous reporter à « Pour éliminer une obstruction ».
- L'aspirateur a-t-il surchauffé ? Si c'est le cas, il lui faudra environ 30 minutes pour se réinitialiser automatiquement.

INFORMATIONS IMPORTANTES

PIÈCES DÉTACHÉES ET CONSOMMABLES HOOVER

Toujours remplacer les pièces par des pièces détachées de la marque Hoover. Celles-ci sont disponibles auprès de votre revendeur Hoover. Lors de la commande de pièces, veuillez toujours préciser le numéro de votre modèle.

Service Hoover

Pour toute intervention à tout moment, veuillez contacter le service après-vente Hoover le plus proche.

QUALITÉ

BSI ISO 9001

La qualité des usines Hoover a fait l'objet d'une évaluation indépendante. Nos produits sont fabriqués selon un système de qualité conforme à la norme ISO 9001.

VOTRE GARANTIE

Les conditions de garantie de cet appareil sont définies par notre représentant dans le pays où il est vendu et peuvent être obtenues auprès de votre revendeur. Les détails concernant ces conditions peuvent être obtenus auprès du revendeur auprès duquel l'appareil a été acheté. La facture d'achat ou le reçu doivent être présentés pour toutes réclamations relevant des conditions de cette garantie.

Ces conditions peuvent être modifiées sans préavis.

LISTE DE CONTRÔLE UTILISATEUR

En cas de problèmes avec l'appareil, effectuez les vérifications de la liste de vérifications avant d'appeler le service après-vente Hoover.

- L'aspirateur est-il alimenté en électricité ? Veuillez vérifier la prise utilisée avec un

HINWEISE FÜR DIE SICHERE BENUTZUNG

Dieses Gerät ist nur zum Gebrauch im Haushalt und nicht für gewerbliche Zwecke bestimmt. Sie sollten das Gerät ausschließlich gemäß den Angaben in dieser Bedienungsanleitung verwenden. Vor dem Gebrauch des Gerätes muss die vorliegende Bedienungsanleitung vollständig gelesen und verstanden worden sein.

Ziehen Sie nach Gebrauch den Netzstecker aus der Steckdose. Schalten Sie das Gerät vor der Reinigung oder Wartung immer aus, ziehen den Netzstecker aus der Steckdose und lassen es abkühlen.

Dieses Gerät darf von Kindern ab 8 Jahren, sowie körperlich, geistig oder sensorisch behinderten Personen bzw. Personen ohne Erfahrung und Kenntnisse im Gebrauch nur unter Aufsicht oder unter Anleitung für die sichere Benutzung und den damit verbundenen Gefahren benutzt werden. Kinder sollten nicht unbeaufsichtigt mit dem Gerät spielen.

Reinigungs- und Wartungsarbeiten dürfen von Kindern nur unter Aufsicht ausgeführt werden.

Ist das Netzkabel beschädigt, darf das Gerät NICHT mehr benutzt werden. Im Falle eines Defektes darf das Netzkabel nur durch einen autorisierten HOOVER-Kundendiensttechniker ausgetauscht werden.

Halten Sie Hände, Füße, lose Kleidung und Haare von den rotierenden Bürsten fern.

Verwenden Sie nur von HOOVER empfohlene oder gelieferte Zubehörteile, Verbrauchsmaterialien und Ersatzteile.

Statische Aufladung: Manche Teppiche können die Bildung statischer Elektrizität verursachen, die jedoch sehr gering ist. Diese ist jedoch sehr gering und bei Entladung nicht gesundheitsschädlich.

Benutzen Sie das Gerät nicht im Freien, auf nassen Oberflächen oder zur Aufnahme von feuchtem Schmutz.

Saugen Sie keine harten oder scharfen Gegenstände, Streichhölzer, heiße Asche, Zigarettenkippen oder Ähnliches auf.

Saugen Sie niemals entzündliche Flüssigkeiten, Reinigungsmittel, Aerosole auf oder sprühen Sie deren Dämpfe auf das Gerät.

Fahren Sie während des Betriebs nicht über das Netzkabel. Ziehen Sie nicht am Kabel, um den Gerätestecker aus der Steckdose zu ziehen.

Stellen Sie die Verwendung des Gerätes ein, wenn ein Defekt am Gerät vermutet wird.

Treten Sie beim Gebrauch des Gerätes nicht auf das Netzkabel und wickeln Sie es sich nicht um Ihre Arme oder Beine.

Benutzen Sie das Gerät nicht zur Reinigung von Menschen oder Tieren.

Positionieren Sie das Gerät bei der Reinigung von Treppen nicht oberhalb von Ihnen.

HOOVER-Kundendienst: Um auf Dauer den sicheren und effizienten Betrieb dieses Gerätes zu gewährleisten, empfehlen wir, Wartungs- und Reparaturarbeiten ausschließlich von einem zugelassenen HOOVER-Kundendienst durchführen zu lassen.

Umweltschutz

Das am Gerät angebrachte Symbol gibt an, dass dieses Gerät nicht als Hausmüll behandelt werden darf, sondern an einer entsprechenden Sammelstelle für das Recycling von elektrischen und elektronischen Geräten zu entsorgen ist. Die Entsorgung ist in Übereinstimmung mit allen geltenden Vorschriften für die umweltgerechte Abfallentsorgung vorzunehmen. Ausführlichere Informationen über die Abfallbehandlung und das Recycling dieses Gerätes erhalten Sie von der zuständigen Umweltbehörde, der Müllentsorgungsstelle Ihrer Kommune oder dem Händler, bei dem Sie das Gerät erworben haben.



Dieses Gerät erfüllt die Europäischen Richtlinien 2014/35/EU, 2014/30/EU und 2011/65/EU.

CANDY HOOVER GROUP S.r.l. Via Privata Eden Fumagalli, 20861 Brugherio (MB) Italy

GERÄTEBESCHREIBUNG

- | | |
|---|---|
| A. Staubsammelbehälter | P2. Sicherer Teleskoprohranschluss* |
| B. Gerätekorpus | Q. Abluffilter |
| C. Parkhalterung | R. Zubehörhalterung* |
| D. Ein-Ausschalter | S. Umschaltbare Bodendüse (GP)** |
| E. Kabeltrommeltaste | Sa. Sicherer Anschluss für |
| F. Schnappverschluss Staubbehälterdeckel | Umschaltbare Bodendüse* |
| G. Staubbehälter-Handgriff zur Herausnehmen | Sb. Bodenbelagswahlschalter |
| H. Staubbehälterdeckel | Sc. Düsennebenluftregelung* |
| I. Abscheider mit integriertem ummanteltem Reinigungssystem | T. Vormotorfilter |
| J. Staubbehälter | U. Umschaltbare Bodendüse (GP)** |
| K. Staubbehälterklappen-Freigabetaste | Ua. Bodenbelagswahlschalter |
| L. Saugschlauch | V. Möbelzubehör* |
| M. Verbessertes Komforthandgriff mit weichem Griff, Nebenluftregelung und integriertem Zubehör (Siehe M1**) | W. Fugendüse* |
| M1. Integriertes Zubehör: Integrierte Fugendüse, Möbelpinsel und Möbelzubehör | X. Langes 2in1-Zubehör* |
| N. Intelligenter Handgriff mit integriertem Möbelpinsel** | Y. Erweiterte Polsterdüse* |
| N1. Integrierter Möbelpinsel* | Z. Tierhaar-Miniturbodüse mit doppelter Aktion* |
| O. Handgriff-Nebenluftregelung** | AA. Mini Turbo-Allergy Remover-Düse mit doppelter Aktion* |
| P. Rasterteleskoprohr** | AB. ParquetExtra-Hartbodendüse* |
| P1. Teleskoprohrängenverstellung** | AC. Extra-Hartbodenpflegedüse* |
| | AD. Autozubehör*: |
| | a. Zubehörtasche |
| | b. Großer Möbelpinsel |
| | c. Große flexible Fugendüse |

ZUSAMMENBAU DES GERÄTES

Nehmen Sie alle Teile des Gerätes aus dem Karton.

1. Befestigen Sie das eine Ende des Saugschlauches am Gerätekorpus, so dass es spürbar einrastet. Zum Entfernen drücken Sie die seitlichen Laschen am Ende des Saugschlauches und ziehen den Schlauch heraus. [1]
2. Schließen Sie den Schlauchhandgriff oder bei Bedarf das Zubehör am oberen Ende vom Verlängerungsrohr an [2a]. [2]
3. Schließen Sie das untere Ende des Verlängerungsrohrs an der Teppich- und Bodendüse** [3], oder bei Bedarf am Zubehör* an.
4. Das Reinigungszubehör kann nach der Benutzung am unteren Teil des Verlängerungsrohrs* mit dem mitgelieferten Zubehörhalter aufbewahrt werden*.

* Geräteausstattung ist modellabhängig ** Je nach Modell unterschiedlich

GEBRAUCH DES GERÄTES

1. Ziehen Sie das Netzkabel raus und schließen es an eine Steckdose an. Ziehen Sie das Kabel keinesfalls weiter, als bis zur roten Markierung heraus. [6]
2. Stellen Sie die Länge des Teleskoprohrs ein, indem Sie den Teleskoprohrängenverstellung** nach oben bewegen, und heben oder senken Sie den Schlauchhandgriff in die bequemste Reinigungsposition. [5]
3. Umschaltbare Bodendüse**. Das Pedal an der Düse drücken [4], um die gewünschte Bodenart auszuwählen.

Hartböden: Der Borstenkranz wird zum Schutz des Bodens abgesenkt.

Teppichböden: Besonders gründliche Reinigung durch Anheben der Bürsten.

Umschaltbare Bodendüse**: [4]

- **Hartbodenreinigung:** Drücken Sie das Bodenart-Auswahlpedal an der Düse auf Hartbodenmodus und stellen Sie für die bequemste Reinigungsstellung die Nebenluftregelung der Düse auf die offene [4a] oder geschlossene [4b] Position. In dieser Position sind die Bürsten abgesenkt und schützen Hartböden.
 - **Teppichbodenreinigung:** Drücken Sie das Bodenbelagswahlpedal an der Düse auf Teppichbodenmodus und stellen Sie die Nebenluftregelung der Düse auf die offene Position. In dieser Position sind die Bürsten angehoben, um eine tiefere Reinigung Ihres Teppichbodens zu ermöglichen. [4c] Es wird empfohlen, die Nebenluftregelung an der Düse auf dem Teppichboden zu öffnen, um ein besseres Gleiten zu ermöglichen.
4. Schalten Sie das Gerät ein, indem Sie die Ein-/Aus-Taste betätigen. [8]
 5. **Geräte ohne Leistungsregulierung*** - Gerät arbeitet mit einer festen Leistungseinstellung

Neuer Griff ausgestattet mit integrierten Zubehörteilen:** [M, M1]

- **Integrierte Fugendüse:** Der Schlauchhandgriff kann, um enge Räume zu erreichen, als Fugendüse verwendet werden.
- **Möbelpinsel:** Drücken Sie die Schnappverschlüsse auf beiden Seiten des Griffs und schieben Sie ihn nach unten, um das Möbelzubehör zu lösen und weiche Oberflächen und Textilien (Vorhänge, Polster) zu reinigen.
- **Möbelpinsel:** Drücken Sie die Schnappverschlüsse an beiden Seiten des Griffs und schieben Sie sie nach unten. Drücken Sie danach den Schieberegler bis zum Ende, um den integrierten Möbelpinsel zu lösen. Ideal für harte Oberflächen (Bücherregale, Tastaturen, Sockelleisten).
- **Nebenluftregelung**:** Sie können die Saugkraft regulieren, indem Sie das Luftventil auf dem Handgriff öffnen oder schließen. [9, O**]

Intelligenter Handgriff**: [N,N1]

- **Nebenluftregelung** [O]:** Sie können die Saugkraft regulieren, indem Sie das Luftventil auf dem Handgriff Griff öffnen oder schließen.
- **Möbelpinsel:** Er ist direkt unterhalb des Schlauchhandgriffs integriert.

- Schalten Sie den Staubsauger nach Gebrauch durch Drücken auf die Ein-/Aus-Taste auf dem Staubsaugergehäuse aus. Ziehen Sie den Netzstecker aus der Steckdose und wickeln Sie das Netzkabel durch Drücken auf die Kabeltrommeltaste auf.
- Abstellen und Aufbewahren - Das Rohr kann während des Gebrauchs vorübergehend abgestellt oder geparkt werden, wenn es nicht in Gebrauch ist. [11]

ZUBEHÖR

Um die beste Leistung und Energieeffizienz zu erzielen#1 wird empfohlen, dass die richtigen Düsen für den Hauptreinigungsbetrieb verwendet werden. Die Düsen werden in den Diagrammen mit den Bezeichnungen **GP**, **HF** oder **CA** gekennzeichnet.

Die Düse mit der Bezeichnung **GP** kann zur Reinigung von Teppichen und Hartböden verwendet werden.

Die Düse mit der Bezeichnung **HF** ist nur für die Reinigung von Hartböden geeignet.

Die Düse mit der Bezeichnung **CA** ist nur für die Reinigung von Teppichen geeignet. Die anderen Düsen sind Zubehör für besondere Reinigungsaufgaben und werden nur für die fallweise Benutzung empfohlen.

Alle Zubehörteile können direkt am Handgriff* oder am Teleskoprohr befestigt werden.

Zubehör**:

Fugendüse – Ideal zur Reinigung von Ecken und schwer zugänglichen Bereichen.

Polsterdüse – Ideal zur Reinigung von Polstermöbeln.

Möbelpinsel – Für Bücherregale, Bilderrahmen, Tastaturen und andere empfindliche Bereiche.

Miniturbodüse mit doppelter Aktion* [Z] – Die Miniturbodüse eignet sich speziell zur Reinigung von Matratzen und Polstermöbeln. Besonders geeignet zur Entfernung von Tierhaaren.

Allergy Remover-Düse mit doppelter Aktion* [AA] – Diese Miniturbodüse eignet sich speziell zur Reinigung von Treppen, Polstermöbeln sowie Matratzen und ist besonders wirksam gegen allergieauslösende Faktoren.

Hartboden-Extrapflege und Hartbodenpflegedüse* [AC,AB] – Ideal zur Reinigung von Parkettböden und anderen empfindlichen Hartböden.

Langes 2in1-Zubehör* [X] – Fugendüse und Möbelpinsel - Damit ist es ermöglicht schwer zugängliche Bereiche wie Bücherregale und hohe Ecken zu reinigen.

WICHTIG: Benutzen Sie die Miniturbodüse nicht auf Teppichen und Vorlegern mit langen Fransen, auf Tierfellen und auf über 15 mm tiefem Teppichflor. Halten Sie die Düse bei sich drehender Bürstwalze nicht still.

Autozubehör* [AD]:

Große flexible Fugendüse* – Ideal zum Reinigen von Autos. Seine Länge ermöglicht das Reinigen von schwer zugänglichen Bereichen, schmalen Fugen.

Großer Möbelpinsel mit integrierter Polsterdüse* – Geeignet zum Reinigen von weichen und empfindlichen Oberflächen im Auto und zu Hause.

Zubehörtasche* – für die geordnete Aufbewahrung des Zubehörs.

* Geräteausstattung ist modellabhängig ** Je nach Modell unterschiedlich

WARTUNG DES GERÄTES

Leeren des Staubbehälters

Entleeren Sie den Staubbehälter spätestens, wenn die MAX-Marke am Behälter erreicht ist.

WICHTIG: Bitte beachten Sie, dass zur Aufrechterhaltung der optimalen Leistungsfähigkeit Ihres Geräts der Staubbehälter nicht über die MAX.-Marke gefüllt sein sollte.

- Schalten Sie den Staubsauger durch Drücken auf die Ein/Aus-Taste am Staubsaugergehäuse [8] aus und ziehen Sie den Netzstecker aus der Steckdose.
- Heben Sie den Entriegelungsgriff des Staubbehälters an und nehmen Sie die Staubbehälterbaugruppe aus dem Staubsauger. [12]
- Halten Sie die Staubbehälter mit einer Hand fest und drücken Sie mit der anderen Hand auf die Staubbehälterklappe-Freigabetaste. [13]
- Schließen Sie die Staubbehälterklappe und setzen die Staubbehälterbaugruppe wieder in den Staubsauger ein.

Reinigung der waschbaren Filter

Der Staubsauger ist mit einer Vormotorfilterkassette ausgestattet. Zur Aufrechterhaltung der optimalen Leistungsfähigkeit Ihres Gerätes die Filter bitte regelmäßig entfernen und gründlich ausklopfen. Die Filter spätestens alle 5 Staubbehälter-Entleerungen oder wenn diese sehr stark verschmutzt sind, mit lauwarmen Wasser auswaschen.

WICHTIG: Alle beutellosen Staubsauger müssen regelmäßig gereinigt und gewartet werden. Werden die Filter nicht gereinigt, kann dies zu Verstopfung, Überhitzung und damit zu einem Produktausfall führen. Dadurch erlischt möglicherweise Ihre Garantie.

WICHTIG: Die Filter regelmäßig überprüfen und warten.

WICHTIG: Die Filter immer erst dann benutzen, wenn sie vollständig getrocknet sind.

So entfernen Sie den Vormotorfilter:

- Heben Sie den Entriegelungsgriff des Staubbehälters an und nehmen Sie die Staubbehälterbaugruppe aus dem Staubsauger. [12]
- Halten Sie die Staubbehälter mit einer Hand fest und öffnen Sie mit der anderen Hand den Staubbehälterdeckel-Schnappverschluss, um den Staubbehälter zu öffnen. [14]
- Nehmen Sie den Vormotorfilter im Behälterdeckel heraus. [16]
- Klopfen Sie den Vormotorfilter vorsichtig aus und waschen Sie ihn. Verwenden Sie kein heißes Wasser und keine Reinigungsmittel. Entfernen Sie das überschüssige Wasser aus dem Filter und lassen Sie ihn vor erneuter Verwendung gründlich trocknen. [19, 20]
- Bauen Sie den Vormotorfilter, nachdem er vollständig getrocknet ist, wieder zusammen und setzen Sie ihn in den Staubsauger ein.

So entfernen Sie den Abluftfilter:

- Lösen Sie die Abdeckung des Abluftfilters an der Rückseite des

- Staubsaugergehäuses. [17]
2. Entfernen Sie den Abluftfilter von der Rückseite des Staubsaugers. [18]
 3. Klopfen Sie den Filter unter lauwarmem Wasser vorsichtig aus. Verwenden Sie kein heißes Wasser und keine Reinigungsmittel. Entfernen Sie das überschüssige Wasser aus dem Filter und lassen Sie ihn vor erneuter Verwendung gründlich trocknen. [19, 20]
 4. Montieren Sie den Abluftfilter, nachdem er vollständig getrocknet ist, wieder an der Rückseite des Staubsaugers und befestigen danach die Abdeckung des Abluftfilters.

WICHTIG: Das Gerät darf auf keinen Fall ohne die Filter benutzt werden.

Reinigung des Staubbehälters/der Airvolution-Funktionseinheit

Dieser Staubsauger verfügt über eine spezielle ummantelte Schmutzabscheidereinheit, die einzigartig bei Hoover ist. Bei Bedarf kann sie aus dem Staubbehälter ausgebaut und gereinigt werden.

1. Heben Sie den Entriegelungsgriff des Staubbehälters an und nehmen Sie die Staubbehälterbaugruppe aus dem Staubsauger. [12]
2. Halten Sie den Staubbehälter mit einer Hand fest und drehen Sie mit der anderen Hand den Staubbehälterdeckel und öffnen Sie den Schnappverschluss, um den Staubbehälter zu öffnen. [14]
3. Nehmen Sie den Abscheider (einschließlich des integrierten ummantelten Reinigungssystem) vom Staubbehälter ab. [15]
4. Bei Bedarf können Sie übermäßigen Staub mit einem Tuch vom Abscheider (einschließlich dem integrierten ummantelten Reinigungssystem) abwischen.
5. Halten Sie den Staubbehälter unter den Wasserhahn. Bitte verwenden Sie ausschließlich lauwarmes Wasser zur Reinigung. Waschen Sie nur die Innenflächen des Behälters mit Wasser aus. Verwenden Sie keine Seife und keine Reinigungsmittel zur Reinigung der Innenseite des Behälters.
6. Bauen Sie alle Innenteile, sofern diese trocken sind, wieder in den Staubbehälter ein.
7. Schließen Sie den Staubbehälterdeckel und setzen Sie die Staubbehälterbaugruppe wieder in den Staubsauger ein.

Entfernen einer Verstopfung

1. Füllstand des Staubbehälters prüfen. Ist er voll, siehe „Leeren des Staubbehälters“.
2. Wenn der Staubbehälter leer und die Saugleistung weiterhin niedrig ist:
 - A. Müssen die Filter gereinigt werden? Falls ja, siehe Kapitel „Reinigung der waschbaren Filter“.
 - B. Prüfen Sie, ob der Saugtrakt an einer anderen Stelle verstopft ist. - Entfernen Sie Verstopfungen im Teleskoprohr oder im Saugschlauch mit einem Stab.
 - C. Prüfen Sie, ob der Vormotorvorfilter richtig eingebaut ist.
 - D. Prüfen Sie, ob die Multizykloneinheit gereinigt werden muss. Weitere Informationen finden Sie unter “Reinigung der AirVolution-Funktionseinheit”.

PRÜFLISTE ZUR FEHLERSUCHE

Bitte prüfen Sie zunächst die einzelnen Punkte dieser Prüfliste, bevor Sie sich bei einem Problem an Ihre zuständige Hoover-Kundendienststelle wenden.

- Ist die Stromversorgung in Ordnung? Bitte überprüfen Sie diese mit einem anderen elektrischen Gerät.
- Ist der Staubbehälter übervoll? Siehe „Wartung des Staubsaugers“.
- Ist der Filter blockiert? Siehe “Reinigung der Filter”.
- Ist der Saugschlauch oder die Düse verstopft? Siehe „Verstopfung des Saugtraktes beheben“.
- Ist der Staubsauger überhitzt? Falls ja, dauert es ca. 30 Minuten, bis der Überhitzungsschutz sich automatisch abschaltet.

WICHTIGE INFORMATIONEN

Hoover Original-Ersatzteile und Verbrauchsartikel

Verwenden Sie stets Originalersatzteile von Hoover. Diese sind über den Hoover-Kundendienst erhältlich. Geben Sie bei der Bestellung von Ersatzteilen bitte stets die komplette 16stellige Artikelnummer (Typenplakette auf der Rückseite des Gerätes) Ihres Gerätemodells an.

Hoover-Kundendienst

Zur Wartung oder Reparatur Ihres Produktes wenden Sie sich bitte an Ihre zuständige Hoover-Kundendienststelle.

Qualität

BSI ISO 9001

Die Hoover-Werke wurden unabhängig voneinander jeweils einer Qualitätsprüfung unterzogen. Unsere Produkte werden nach einem Qualitätsstandard hergestellt, der die Anforderungen von ISO 9001 erfüllt.

Garantieerklärung

Die Garantiebestimmungen für dieses Gerät entsprechen den Richtlinien des Landes, in dem Sie das Gerät erworben haben. Weitere Einzelheiten dazu erhalten Sie vom Händler, bei dem Sie das Gerät erworben haben oder aus dem Garantieheft, das der Verpackung beiliegt. Bitte bewahren Sie den Kaufbeleg sorgfältig auf, denn er wird für eventuell auftretende Garantieansprüche benötigt.

Änderungen vorbehalten.

ISTRUZIONI PER UN USO SICURO

Questo apparecchio deve essere utilizzato esclusivamente in ambito domestico per interventi di pulizia, secondo le istruzioni riportate nel presente documento. Accertarsi di aver compreso le istruzioni prima di mettere in funzione l'apparecchio.

Non lasciare l'apparecchio collegato alla corrente. Prima di procedere alla pulizia dell'apparecchio o di effettuare qualsiasi operazione di manutenzione, spegnere sempre l'apparecchio e scollegare la spina.

Questo elettrodomestico non è destinato a essere utilizzato da bambini di età inferiore a 8 anni e da persone dalle ridotte capacità fisiche, sensoriali o mentali, o senza esperienza a causa di una inadeguata informazione sull'uso in sicurezza dell'apparecchio e sui relativi pericoli. Controllare che i bambini non giochino con l'apparecchio.

Pulizia e manutenzione non possono essere eseguite da bambini senza sorveglianza da parte di una persona responsabile.

Se il cavo di alimentazione è danneggiato, interrompere immediatamente l'utilizzo dell'apparecchio. Per evitare pericoli, il cavo di alimentazione dovrà essere sostituito da un tecnico del servizio assistenza autorizzato HOOVER.

Tenere le mani, i piedi, i capi di abbigliamento non attillati e i capelli lontani dalle spazzole rotanti.

Utilizzare solo accessori o parti di consumo e di ricambio consigliati o forniti da HOOVER.

Elettricità statica: alcuni tappeti possono produrre un accumulo di elettricità statica. Le cariche di elettricità statica non sono pericolose per la salute.

Non utilizzare l'apparecchio all'aperto, su superfici bagnate o per aspirare liquidi.

Non aspirare oggetti solidi o appuntiti, fiammiferi, ceneri calde, mozziconi di sigaretta o simili.

Non vaporizzare o aspirare liquidi infiammabili, detergenti, bombolette o i loro vapori.

Non calpestare il cavo di alimentazione durante l'utilizzo dell'apparecchio o scollegare la spina dalla presa tirando il cavo di alimentazione.

Non continuare a utilizzare l'apparecchio in caso di presunto guasto.

Non calpestare il cavo di alimentazione o avvolgerlo intorno alle braccia o alle gambe mentre si usa l'apparecchio.

Non utilizzare l'apparecchio per l'igiene della persona o degli animali.

Non collocare l'apparecchio in una posizione più alta rispetto alla propria quando si puliscono le scale.

Assistenza HOOVER: Per garantire un funzionamento sempre sicuro ed efficiente dell'apparecchio, si consiglia di fare eseguire eventuali interventi di assistenza o di riparazione dai tecnici del servizio assistenza autorizzato HOOVER.

Ambiente:

Il simbolo apposto sul prodotto indica che lo stesso non può essere smaltito come i normali rifiuti domestici, ma deve essere portato al punto di raccolta o al centro di riciclaggio delle apparecchiature elettriche ed elettroniche più vicino. Lo smaltimento deve essere eseguito in conformità alle normative locali vigenti per la salvaguardia dell'ambiente e lo smaltimento dei rifiuti. Per ulteriori informazioni sul trattamento, il recupero e il riciclaggio di questo prodotto, contattare l'unità territoriale competente per il servizio di smaltimento o il negozio in cui il prodotto è stato acquistato.



Questo prodotto è conforme alle Direttive Europee 2014/35/EU, 2014/30/EU e 2011/65/EU.

CANDY HOOVER GROUP S.r.l. Via Privata Eden Fumagalli, 20861 Brugherio (MB) Italy

DESCRIZIONE DELL'APPARECCHIO

A. Gruppo contenitore raccogli-polvere	tubo telescopico**
B. Corpo principale dell'apparecchio	P2. Connettore per connessione sicura per tubo telescopico*
C. Stazionamento	
D. Pulsante controllo potenza e Accensione/Spegnimento (On/Off)	Q. Filtro in uscita
E. Pulsante di riavvolgimento del cavo	R. Porta accessori*
F. Levetta di apertura del coperchio del contenitore raccogli-polvere	S. Spazzola per tappeti e pavimenti (GP)**
G. Maniglia di rilascio del contenitore raccogli-polvere	Sa. Raccordo per connessione sicura per spazzola tappeti e pavimenti*
H. Coperchio contenitore raccogli-polvere	Sb. Pedale selettore tipo pavimento
I. Sistema di separazione con sistema di pulizia integrato	Sc. Regolatore forza aspirante della spazzola*
J. Contenitore raccogli-polvere	T. Filtro pre-motore
K. Pulsante di sblocco dello sportello del contenitore raccogli-polvere	U. Spazzola per tappeti e pavimenti (GP)**
L. Tubo flessibile	Ua. Pedale selettore tipo pavimento
M. Impugnatura Advanced Comfort con Soft Grip, regolatore dell'aspirazione ed accessori integrati (Vedi M1**)	V. Spazzola per mobili e imbottiti*
M1. Accessori integrati: Bocchetta per fessure incorporata, Spazzola a pennello e spazzola per mobili e imbottiti	W. Bocchetta per fessure*
N. Maniglia con spazzola a pennello integrata**	X. Bocchetta lunga 2In1*
N1. Spazzola a pennello integrata**	Y. Spazzola Advanced per tutti gli usi*
O. Regolatore dell'aspirazione sull'impugnatura**	Z. Spazzola Mini Turbo doppia azione per rimuovere i peli di animali domestici*
P. Tubo telescopico**	AA. Spazzola Mini Turbo doppia azione per rimuovere gli allergeni*
P1. Dispositivo di controllo del	AB. Spazzola Extra per parquet*
	AC. Spazzola Parquet Extra Care*
	AD. Kit di accessori per l'auto*:
	a. Borsa accessori
	b. Spazzola a pennello grande
	c. Bocchetta flessibile per fessure XL

MONTAGGIO DELL'APPARECCHIO

Disimballare tutti i componenti.

1. Collegare il tubo flessibile al corpo principale dell'apparecchio, assicurandosi che si agganci e si blocchi in posizione. Per estrarre è sufficiente premere i pulsanti all'estremità del tubo flessibile e tirare. [1]
2. Collegare l'impugnatura** del tubo flessibile all'estremità superiore della prolunga del tubo o, se necessario, agli accessori*. [2]
3. Collegare l'estremità inferiore della prolunga del tubo alla spazzola** per tappeti e pavimenti [3] o, se necessario, agli accessori*.

* Solo su alcuni modelli ** Può variare secondo il modello

4. Dopo l'uso, è possibile riporre* il set accessori per la pulizia sul lato inferiore della prolunga del tubo utilizzando l'apposito portaccessori fornito*.

UTILIZZO DELL'APPARECCHIO

1. Estrarre il cavo di alimentazione e inserirlo in una presa di corrente. Non tirare il cavo oltre l'indicatore rosso. [6]
2. Regolare la lunghezza del tubo telescopico spostando il regolatore di altezza**, alzare o abbassare l'impugnatura del tubo flessibile fino a trovare la posizione di pulizia più confortevole. [5]
3. Spazzola per tappeti e pavimenti**. Premere il pedale sulla spazzola [4] per selezionare la modalità di pulizia ideale per il tipo di pavimento.

Pavimenti duri: le setole sono abbassate per proteggere il pavimento.

Tappeti: le setole sono sollevate per pulire in profondità.

Spazzola per tappeti e pavimenti**: [4]

- **Pulizia pavimentazioni dure:** Premere il pedale di selezione della tipologia di pavimentazione sulla spazzola sulla modalità Pavimenti Duri e impostare il regolatore della forza aspirante della spazzola sulla posizione ottimale, aperta [4a] o chiusa [4b]. In questa modalità le spazzole vengono abbassate per proteggere i pavimenti duri.
 - **Pulizia dei tappeti:** Premere il pedale di selezione della tipologia di pavimentazione sulla spazzola sulla modalità Tappeti e impostare il regolatore della forza aspirante della spazzola sulla posizione aperta. In questa modalità le spazzole si sollevano per garantire una pulizia più in profondità del tappeto. [4c] Si suggerisce di lasciare aperto il regolatore della forza aspirante della spazzola sui tappeti per permettere un migliore scorrimento.
4. Accendere l'apparecchio premendo il pulsante di accensione/spegnimento sul corpo principale dell'aspirapolvere. [8]
 5. **Controllo Potenza fissa*** - L'apparecchio lavorerà a un livello di potenza fissa.

Impugnatura dal comfort estremo con accessori integrati:** [M, M1]

- **Bocchetta per fessure incorporata:** L'estremità dell'impugnatura del tubo flessibile può essere utilizzata come bocchetta per fessure per raggiungere gli spazi più stretti.
- **Spazzola per mobili e imbottiti:** Premere le levette su entrambi i lati della maniglia e far scorrere verso il basso per rilasciare la spazzola per mobili e imbottiti per pulire superfici morbide e tessuti (tende, tappezzeria).
- **Spazzola a pennello:** Premere le levette su entrambi i lati della maniglia e far scorrere verso il basso, quindi spingere il cursore verso l'esterno per rilasciare la spazzola a pennello incorporata. Ideale per superfici dure (librerie, tastiere, battiscopa).
- **Regolatore forza aspirante**:** Regolare l'aspirazione aprendo o chiudendo la valvola dell'aria sull'impugnatura. [9, O**]

Impugnatura intelligente:** [N,N1]

- **Regolatore forza aspirante**** [O]: Regolare la potenza di aspirazione aprendo o chiudendo la valvola dell'aria sull'impugnatura.
 - **Spazzola a pennello:** È integrata direttamente sotto l'impugnatura del tubo flessibile.
6. Spegnerne dopo l'utilizzo premendo il pulsante di accensione/spegnimento sul corpo principale dell'apparecchio. Staccare la spina e riavvolgere il cavo di alimentazione premendo il pulsante di riavvolgimento.
7. Stazionamento e parcheggio - È possibile parcheggiare il tubo temporaneamente durante l'uso, oppure riporlo quando l'apparecchio non viene utilizzato. [11]

ACCESSORI

Per ottenere prestazioni ottimali ed efficienza energetica, è consigliato usare le spazzole appropriate per le principali operazioni di pulizia. Queste spazzole sono indicate nel diagramma con le lettere **GP**, **HF** o **CA**.

La spazzola di tipo **GP** è adatta per pulire sia tappeti che pavimenti duri.

La spazzola di tipo **HF** è adatta solo per la pulizia dei pavimenti duri.

La spazzola di tipo **CA** è adatta solo per la pulizia dei tappeti.

Le altre spazzole sono accessorie per operazioni di pulizia speciale e sono raccomandate solo per usi occasionali.

Tutti gli accessori possono essere inseriti nell'impugnatura* o all'estremità del tubo telescopico.

Set accessori:**

Bocchetta per fessure – Per angoli e punti difficili da raggiungere.

Bocchetta tutti gli usi – Per imbottiti, divani e tessuti.

Spazzola a pennello – Per librerie, cornici, tastiere e altre superfici delicate.

Spazzola doppia azione per rimuovere i peli di animali domestici* [Z] – utilizzare la mini turbospazzola per la pulizia profonda di superfici tessili e imbottiti e per altre aree difficili. Particolarmente adatta per rimuovere i peli degli animali domestici.

Spazzola doppia azione per rimuovere gli allergeni* [AA] – Utilizzare la mini turbospazzola per la pulizia profonda di superfici tessili, imbottiti e altre aree difficili da pulire in cui si annidano acari e batteri.

Spazzole parquet extra care e parquet extra* [AC,AB] – Per parquet e pavimenti delicati.

Bocchetta lunga 2In1* [X] – Bocchetta per fessure e spazzola a pennello - Consente di pulire aree difficili da raggiungere come scaffali e angoli alti.

IMPORTANTE: Non utilizzare le mini turbo spazzole su tappeti a frange, pellicce o moquette con pelo di oltre 15 mm. Non tenere ferma la spazzola mentre è in rotazione.

Kit di accessori per l'auto* [AD]:

Bocchetta flessibile per fessure XL* – Ideale per la pulizia delle automobili. La sua lunghezza permette di pulire aree difficili da raggiungere e strette fessure.

Spazzola a pennello larga con bocchetta per tutti gli usi integrata* – Ideale per la

pulizia di imbottiti e superfici delicate dell'automobile e della casa.

Borsa accessori* – Per riporre ordinatamente tutti gli accessori.

MANUTENZIONE DELL'APPARECCHIO**Svuotamento contenitore raccogli polvere**

Quando la polvere raggiunge la linea del livello massimo, svuotare il contenitore raccogli polvere.

IMPORTANTE: Per ottenere prestazioni ottimali, non consentire che la polvere si accumuli oltre il livello massimo.

1. Spegnerne l'apparecchio premendo il pulsante di accensione/spegnimento sul corpo principale [8] e scollegare il cavo di alimentazione.
2. Sollevare la maniglia di rilascio del contenitore raccogli polvere e rimuovere il gruppo del contenitore raccogli polvere dall'apparecchio. [12]
3. Con una mano tenere il contenitore raccogli polvere e con l'altra premere il pulsante di sblocco del coperchio. [13]
4. Chiudere lo sportello del contenitore raccogli polvere e riposizionarlo sul corpo principale dell'apparecchio.

Pulizia dei filtri lavabili

L'apparecchio è dotato di un'unità filtro blu. Per mantenere prestazioni ottimali, rimuovere i filtri e picchiettarli contro il lato del cestino per eliminare la polvere. Il filtro deve essere lavato ogni 5 svuotamenti del contenitore raccogli polvere o quando la polvere nel filtro risulti eccessiva.

IMPORTANTE: Tutti gli apparecchi senza sacchetto richiedono una regolare pulizia del filtro. La mancata pulizia dei filtri può causare il blocco, il surriscaldamento e il danneggiamento dell'apparecchio. Tutto ciò può invalidare la garanzia.

IMPORTANTE: Controllare i filtri sistematicamente e sottoporli a regolare manutenzione.

IMPORTANTE: Prima di utilizzare i filtri, accertarsi sempre che siano asciutti.

Per accedere al filtro Pre-motore:

1. Sollevare la maniglia di rilascio del contenitore raccogli polvere e rimuovere il gruppo del contenitore raccogli polvere dall'apparecchio. [12]
2. Con una mano tenere il contenitore raccogli polvere e con l'altra sollevare la levetta di apertura del coperchio del contenitore raccogli polvere per aprirlo. [14]
3. Rimuovere il filtro pre-motore collocato nel coperchio del contenitore. [16]
4. Picchiettare e lavare il filtro pre-motore. Non utilizzare acqua bollente o detersivi. Eliminare l'acqua in eccesso dal filtro e lasciarlo asciugare completamente prima di riutilizzarlo. [19, 20]
5. Quando completamente asciutto, riassemble il filtro pre-motore nel coperchio del contenitore raccogli polvere e rimontarlo nell'apparecchio.

Per accedere al filtro in uscita:

1. Sganciare il coperchio del filtro in uscita dal retro del corpo principale dell'apparecchio. [17]
2. Rimuovere il filtro in uscita dal retro dell'apparecchio. [18]
3. Picchiettare e lavare il filtro con acqua calda. Non utilizzare acqua bollente o detersivi. Eliminare l'acqua in eccesso dal filtro e lasciarlo asciugare completamente prima di riutilizzarlo. [19, 20]
4. Una volta completamente asciutto, rimontare il filtro in uscita nel retro dell'apparecchio e rimettere il coperchio del filtro in uscita.

IMPORTANTE: Non utilizzare il prodotto senza aver prima montato l'unità filtro.

Pulizia del contenitore raccogli polvere/dell'unità Airvolution

Questo apparecchio utilizza un sistema di separazione e un sistema di pulizia dello esclusivi di Hoover. Se necessario, l'unità di separazione può essere smontata dal contenitore raccogli polvere e pulita.

1. Sollevare la maniglia di rilascio del contenitore raccogli polvere e rimuovere il gruppo del contenitore raccogli polvere dall'apparecchio. [12]
2. Con una mano tenere il contenitore raccogli polvere e con l'altra sollevare la levetta di apertura del coperchio del contenitore raccogli polvere per aprirlo. [14]
3. Rimuovere il sistema di separazione (incluso il sistema di pulizia integrato) dal contenitore raccogli polvere. [15]
4. Se necessario, utilizzare un panno per rimuovere la polvere in eccesso dal sistema di separazione (Incluso il sistema di pulizia shroud integrato).
5. Collocare il contenitore raccogli polvere sotto l'acqua del rubinetto. Sciacquare con acqua tiepida. Lavare le superfici interne del contenitore raccogli polvere solo con acqua. NON utilizzare detersivi o sapone per lavare le parti interne del contenitore raccogli polvere.
6. Rimontare il componente interno nel contenitore raccogli polvere, assicurandosi che tutti i componenti siano asciutti.
7. Chiudere il coperchio del contenitore raccogli polvere e rimontare il gruppo contenitore raccogli polvere nell'apparecchio.

Rimozione di un'ostruzione

1. Controllare se il contenitore raccogli polvere è pieno. Se così fosse, vedere la sezione "Svuotamento del contenitore raccogli polvere".
2. Se il contenitore raccogli polvere è vuoto, ma l'aspirazione è ancora scarsa:
 - A. Potrebbe essere necessario pulire i filtri. In questo caso, vedere la sezione "Pulizia dei filtri lavabili".
 - B. Controllare che non vi siano altre ostruzioni nel sistema. - Utilizzare un'asticella o un bastoncino per rimuovere eventuali ostruzioni dalla prolunga del tubo o dal tubo flessibile.
 - C. Verificare che il filtro pre-motore sia installato.
 - D. Verificare se l'unità di separazione debba essere pulita. Fare riferimento al paragrafo "Pulizia dell'unità di separazione".

CHECKLIST UTENTE

In caso di problemi, completare questa semplice checklist utente prima di chiamare il centro assistenza Hoover.

- La presa elettrica a cui è collegato l'apparecchio è funzionante? Controllare collegando un altro elettrodomestico.
- Il contenitore raccogli polvere è pieno? Vedere "Manutenzione dell'apparecchio".
- Il filtro è ostruito? Vedere la sezione "Pulizia del filtro".
- Il tubo flessibile o la bocchetta sono ostruiti? Vedere "Rimozione di un'ostruzione dal sistema".
- L'aspirapolvere si è surriscaldato? In questo caso, il reset automatico richiede circa 30 minuti.

INFORMAZIONI IMPORTANTI**QUALITÀ**

BSI ISO 9001

La qualità degli stabilimenti Hoover è stata sottoposta a valutazione indipendente. I nostri prodotti vengono realizzati mediante un sistema di qualità che soddisfa i requisiti ISO 9001.

PARTI DI RICAMBIO E DI CONSUMO HOOVER

Utilizzare sempre parti di ricambio originali Hoover, che è possibile acquistare dal distributore locale Hoover o direttamente sul sito internet Hoover. Quando si ordinano delle parti di ricambio, ricordarsi sempre di fornire il numero di modello dell'apparecchio utilizzato.

ASSISTENZA E GARANZIA HOOVER

Questo prodotto è garantito, oltre che ai sensi di legge, alle condizioni e nei termini riportati sul certificato di garanzia convenzionale inserito nel prodotto. Il certificato dovrà essere conservato e mostrato al nostro Centro di Assistenza Tecnica Autorizzato, in caso di necessità, insieme allo scontrino comprovante l'acquisto dell'elettrodomestico. Puoi consultare le condizioni di garanzia anche sul nostro sito internet Per ottenere assistenza compila l'apposito form on-line oppure contattaci al numero che trovi indicato nella pagina di assistenza del nostro sito internet. Queste condizioni potrebbero venire modificate senza obbligo di preavviso.

INSTRUCTIES VOOR VEILIG GEBRUIK

Dit toestel mag enkel gebruikt worden voor reiniging in het huis, zoals beschreven in deze handleiding. Zorg ervoor dat u de handleiding volledig begrijpt voordat u het apparaat in gebruik neemt.

Laat het toestel nooit aangesloten achter. Schakel het toestel altijd uit en verwijder de stekker uit het stopcontact na gebruik, of voor het reinigen van het toestel of bij elke onderhoudstaak.

Dit toestel kan gebruikt worden door kinderen vanaf 8 jaar en personen met verminderde lichamelijke, zintuiglijke of mentale capaciteiten. Ook personen met een gebrek aan ervaring of kennis kunnen dit toestel gebruiken, indien ze toezicht of instructies hebben gekregen over het veilig gebruik van het toestel en de gevaren in kwestie begrijpen. Kinderen mogen niet met het toestel spelen.

Reinigings- en gebruikersonderhoud mag niet uitgevoerd worden door kinderen zonder toezicht.

Indien het stroomsnoer beschadigd is, stop dan onmiddellijk met het toestel te gebruiken. Om veiligheidsgevaar te vermijden, mag enkel een erkende HOOVER hersteller de stroomkabel vervangen.

Houd handen, voeten, losse kleding en haar uit de buurt van roterende borstels.

Gebruik enkel verlengstukken, verbruiksartikelen of reserveonderdelen aanbevolen of geleverd door HOOVER.

Statische elektriciteit: Sommige tapijten kunnen statische elektriciteit veroorzaken. Ontladingen van statische elektriciteit zijn onschadelijk voor uw gezondheid.

Gebruik uw toestel nooit buiten, op natte oppervlaktes of op een vochtige ondergrond.

Raap geen harde of scherpe objecten op zoals lucifers, hete assen, sigaretten of andere gelijkaardige items.

Spuitnietmetontvlambare vloeistoffen, reinigingsvloeistoffen, aerosols of hun dampen en zuig ze ook niet op.

Loop niet over het stroomsnoer wanneer u het toestel gebruikt

of verwijder de stekker niet door aan het stroomsnoer te trekken.

Blijf dit toestel niet gebruiken wanneer het defect blijkt.

Niet op het snoer staan of het snoer rond armen of benen winden terwijl u het toestel gebruikt.

Gebruik het toestel niet om dieren of mensen te reinigen.

Plaats het toestel niet boven jezelf tijdens het reinigen van de trap.

HOOVER dienstverlening: Om de blijvende veilige en efficiënte werking van dit toestel te verzekeren, bevelen we aan dat alle herstellingen uitgevoerd worden door een erkende HOOVER hersteller.

Het milieu

Het symbool op dit toestel duidt aan dat dit toestel niet mag behandeld worden als huishoudelijk afval. In de plaats daarvan moet het overhandigd worden aan het geschikte verzamelpunt voor de recyclage van elektrische en elektronische uitrusting. U moet het toestel weggooien in overeenstemming met de lokale voorschriften voor afvalverwerking. Voor meer gedetailleerde informatie over behandeling, herstel en recyclage van dit toestel, gelieve uw lokale gemeentebestuur te contacteren, de dienst voor huishoud- en afvalverwerking of de winkel waar u het toestel kocht.



Dit apparaat voldoet aan de Europese Richtlijnen 2014/35/EU, 2014/30/EU en 2011/65/EU.

CANDY HOOVER GROUP S.r.l. Via Privata Eden Fumagalli, 20861 Brugherio (MB) Italy

LEER UW STOFZUIGER KENNEN

- | | |
|--|---|
| A. Stofbak samenstelling | P2. Veilige verbinding telescopische buis* |
| B. Hoofdlichaam Stofzuiger | Q. Uittlaatfilter |
| C. Parkeerstand | R. Accessoirehouder* |
| D. Aan/uit-knop | S. Tapijt en vloermondstuk (GP)** |
| E. Snoerhaspelknop | Sa. Veilige verbinding tapijt-
en vloermondstuk* |
| F. Deksel stofbak | Sb. Keuzeknop vloertype |
| G. Ontgrendelingshendel stofbak | Sc. Zuigmondregelaar* |
| H. Stofbak klep | T. Pre-motor filter |
| I. Scheidingssysteem met geïntegreerd
kapreinigingssysteem | U. Tapijt en vloermondstuk (GP)** |
| J. Stofzak | Ua. Keuzeknop vloertype |
| K. Ontgrendelingsknop stofbak | V. Meubelzuigmond* |
| L. Buis | W. Kierenzuiger* |
| M. Comfortabele handgreep met
zachte greep, zuigregelaar en
geïntegreerde accessoires (Zie M1**) | X. Lang 2-in-1-gereedschap* |
| M1. Geïntegreerde Accessoires:
Ingebouwd kierenmondstuk,
Stofborstel en meubelmondstuk | Y. Geavanceerde meubelmondstuk* |
| N. Handgreep met geïntegreerde
stofborstel** | Z. Dubbelwerkende miniturbozuigmond
voor dierenharen* |
| N1. Geïntegreerde afstofborstel* | AA. Dubbelwerkende miniturbozuigmond
voor allergene stoffen* |
| O. Handgreep aanzuigregelaar** | AB. Parketmondstuk Extra* |
| P. Telescopische buis** | AC. Zuigmond Extra parketverzorging* |
| P1. Regelaar voor telescopische buis** | AD. Accessoires Carkit*:
a. Zak voor accessoires
b. Grote afstofborstel
c. XL flexibele kierenzuiger |

UW STOFZUIGER MONTEREN

Verwijder alle onderdelen uit de verpakking.

1. Steek de buis in de stofzuiger en klik deze erin vast. Verwijderen: druk de twee knoppen op het slanguiteinde in en trek de slang eruit. **[1]**
2. Verbind het handvat** van de slang aan het einde van de verlengbuis bovenaan, of aan accessoires* waar nodig. **[2]**
3. Sluit het onderste uiteinde van de verlengbuis aan op het tapijt en vloerzuigmondstuk** **[3]** of op de accessoires* indien nodig.
4. De schoonmaakaccessoires kunnen aan de onderkant van de verlengbuis worden opgeborgen* na gebruik. Gebruik daarvoor de meegeleverde accessoirehouder*.

* Alleen bepaalde modellen ** Kan variëren naargelang het model

UW STOFZUIGER GEBRUIKEN

1. Trek het netsnoer uit de stofzuiger en steek de stekker in het stopcontact. Trek het snoer niet verder uit dan de rode markering. **[6]**
2. Pas de lengte van de telescopische buis aan door de versteller** van de telescopische buis omhoog te bewegen en de handgreep van de slang omhoog of omlaag te brengen naar de meest comfortabele reinigingspositie. **[5]**
3. Tapijt en vloermondstuk**. Druk op het pedaal op de zuigmond **[4]** om de ideale zuigstand te selecteren voor het vloertype.
Harde vloer: De borstels wijzen naar omlaag en beschermen zo de vloer.
Tapijt: Met opgeheven borstels voor de diepste reiniging.

Tapijt en vloermondstuk**: **[4]**

- **Reiniging van harde vloer:** Selecteer op het keuzepedaal op de zuigmond de modus voor harde vloeren en stel de zuigregelaar van de zuigmond af in de geopende **[4a]** of gesloten **[4b]** stand voor de meest comfortabele reinigingspositie. In deze positie wijzen de borstels naar omlaag om harde vloeren te beschermen.
 - **Tapijt schoonmaken:** Druk op het keuzepedaal van het vloertype op de zuigmond in de modus voor tapijten en stel de zuigregelaar van de zuigmond af in de geopende positie. In deze stand gaan de borstels omhoog voor een diepere reiniging van uw tapijt. **[4c]** Het is aangeraden om de zuigmondregelaar op tapijt te open te zetten om zo beter te kunnen stofzuigen.
4. Zet de stofzuiger aan door te drukken op de aan/uit-schakelaar op de stofzuiger zelf. **[8]**
 5. **Vaste zuigkrachtbesturing*** - De stofzuiger zal werken met een vaste zuigkracht.

Geavanceerde comfortabele handgreep met geïntegreerde accessoires**: **[M, M1]**

- **Ingebouwde kierenzuiger:** Het uiteinde van de slanghandgreep kan worden gebruikt als kierenmondstuk om nauwe plekken te bereiken.
- **Meubelzuigmond:** Druk op de grendels aan weerszijden van de handgreep en schuif de greep naar beneden zodat het meubelmondstuk vrijkomt om zachte oppervlakken en stoffen (gordijnen, bekleding) te reinigen.
- **Stofborstel:** Druk op de grendels aan weerszijden van de handgreep, schuif de greep naar beneden en schuif de glijder naar het uiteinde zodat de ingebouwde stofborstel vrijkomt. Ideaal voor harde oppervlakken (boekenplank, toetsenbord, plint).
- **Zuigkrachtregeling**:** Pas de zuigkracht aan door de luchtklep op de handgreep te openen of te sluiten. **[9, O**]**

Intelligente handgreep**: **[N,N1]**

- **Zuigkrachtregeling** [O]:** Pas het zuigvermogen aan door de luchtklep op de handgreep open of dicht te draaien.
 - **Stofborstel:** Het is direct onder de handgreep van de slang geïntegreerd.
6. Schakel het apparaat aan het einde van het gebruik uit door op de aan/uit-knop op het apparaat van de stofzuiger te drukken. Koppel het netsnoer los en wikkel het weer op

door op de snoerprolknop te drukken.

- Opruimen en opbergen - De telezoombuis kan tijdens het gebruik tijdelijk worden geparkeerd, of kan in de opbergpositie worden gezet wanneer de buis niet wordt gebruikt. [11]

ACCESSOIRES

Voor optimaal gebruik en energie efficiëntie is het aan te bevelen dat de juiste mondstukken voor de voornaamste schoonmaak taken worden gebruikt. Deze mondstukken worden in de diagrammen afgebeeld met de letters **GP**, **HF** of **CA**.

Een **GP** type mondstuk kan gebruikt worden voor schoonmaak van zowel tapijt als harde vloer.

Een **HF** type mondstuk is enkel geschikt voor gebruik op harde vloer.

Een **CA** type mondstuk is enkel geschikt voor gebruik op tapijt.

De andere mondstukken zijn accessoires voor gespecialiseerde schoonmaaktaken en worden alleen aanbevolen voor occasioneel gebruik.

Alle accessoires kunnen op de handgreep* van de slang of op het uiteinde van de telescopische buis worden geplaatst.

Accessoires-set**:

Kierenzuiger – Voor hoeken en moeilijk bereikbare plaatsen.

Meubelzuigmond – Voor zachte meubels en stoffen.

Stofborstel – Voor boekenrekken, kozijnen, toetsenborden en andere delicate plaatsen.

Dubbelwerkende zuigmond voor dierenharen* [Z] – Gebruik de mini turboborstel voor trappen of voor het grondig reinigen van textielproducten en andere moeilijk schoon te maken plaatsen. Vooral geschikt voor het verwijderen van haren van huisdieren.

Dubbelwerkende zuigmond voor allergene stoffen* [AA] – Gebruik het miniturbomondstuk voor trappen of voor het grondig reinigen van textielproducten en andere moeilijk schoon te maken plekken; bijzonder geschikt om huisstofmijt te verwijderen.

Zuigmonden Parket Extra Care en Parket Extra* [AC,AB] – Voor parketvloeren en andere delicate vloeren.

Lang 2-in-1-gereedschap* [X] – Kierenmondstuk en stofborstel - Hiermee kunnen moeilijk te bereiken plekken zoals boekenplanken en hoge hoeken worden gereinigd.

BELANGRIJK: Gebruik de turboborstel en de mini turboborstel niet op tapijten met lange franjes, op dierenhuiden of op tapijten dikker dan 15 mm. Hou de zuigmond niet stil terwijl de borstel draait.

Accessoires voor carkits* [AD]:

XL flexibele kierenzuiger* – Ideaal voor het reinigen van de auto. De lengte maakt het mogelijk om moeilijk bereikbare plekken en spleten te reinigen.

Grote stofborstel met geïntegreerd meubelmondstuk* – Geschikt voor het reinigen van zachte en delicate oppervlakken in huis en in de auto.

Zak voor accessoires* – Om alle accessoires netjes op te bergen.

* Alleen bepaalde modellen

** Kan variëren naargelang het model

ONDERHOUD STOFZUIGER

De stofbak leegmaken

Maak de stofcontainer leeg zodra het stof de markering 'max. niveau' in het reservoir bereikt.

BELANGRIJK: Zorg ervoor dat het stof niet boven het aangegeven maximale niveau uitkomt voor een optimale werking.

- Schakel de stofzuiger uit door op de aan/uit-knop op het hoofdgedeelte van de stofzuiger [8] te drukken en het netsnoer uit te trekken.
- Til de ontgrendelingshendel van de stofbak op en verwijder de stofbak uit de stofzuiger. [12]
- Houd de stofbak met één hand vast en druk met de andere hand op de ontgrendelingsknop van de klep van de stofbak. [13]
- Sluit de klep van de stofbak en plaats de stofbak terug op de behuizing van de stofzuiger.

De wasbare filters reinigen

De stofzuiger is uitgerust met een blauw filterpak. Voor optimale reinigingsprestaties moet u de filters regelmatig verwijderen en uitkloppen tegen de zijkant van een vuilnisbak, om zo het stof eruit te verwijderen. De filters moeten worden uitgespoeld nadat het reservoir 5 maal is geleegd, maar ook wanneer het filter te veel stof bevat.

BELANGRIJK: Bij alle zakloze stofzuigers moeten de filters regelmatig worden gereinigd. Het niet reinigen van de filters kan leiden tot verstopping, oververhitting en storing van het product. Hierdoor kan uw garantie komen te vervallen.

BELANGRIJK: Controleer en reinig de filters regelmatig.

BELANGRIJK: Zorg dat het filterelement helemaal droog is voor gebruik.

Om bij de pre-motor filter te komen:

- Til de ontgrendelingshendel van de stofbak op en verwijder de stofbak uit de stofzuiger. [12]
- Houd de stofbak met één hand vast en til met de andere hand de vergrendeling van het deksel van de stofbak op om het deksel van de bak te openen. [14]
- Verwijder de pre-motor filter die zich in de klep van de bak bevindt. [16]
- Voorzichtig op de pre-motor filter tikken en deze wassen. Gebruik geen heet water of schoonmaakmiddelen. Verwijder het overtollige water uit de filter en laat hem helemaal opdrogen alvorens hem opnieuw te gebruiken. [19, 20]
- Plaats de pre-motor filter weer terug in de klep van de stofbak als deze helemaal droog is en zet het weer vast op de stofzuiger.

Voor toegang tot de uitlaatfilter:

- Klik het deksel van de uitlaatfilter los van de achterzijde van de stofzuiger. [17]
- Verwijder de uitlaatfilter van de achterkant van de stofzuiger. [18]
- Tik voorzichtig op de filter en spoel deze vervolgens met warm water af. Gebruik geen heet water of schoonmaakmiddelen. Verwijder het overtollige water uit de filter

en laat hem helemaal opdrogen alvorens hem opnieuw te gebruiken. [19, 20]

4. Eenmaal volledig droog, plaats de uitlaatfilter terug op de achterzijde van de stofzuiger en plaats het deksel van de uitlaatfilter terug.

BELANGRIJK: Gebruik het product niet zonder filterpakket.

Het schoonmaken van de stofbak/ scheidingseenheid

Deze reiniger maakt gebruik van een scheidingssysteem en een reinigingssysteem voor de kap die uniek zijn voor Hoover. Indien nodig kan de scheidingseenheid losgemaakt worden van de stofbak en kan gereinigd worden.

1. Til de ontgrendelingshendel van de stofbak op en verwijder de stofbak uit de stofzuiger. [12]
2. Houd de stofbak met één hand vast en til met de andere hand de vergrendeling van het deksel van de stofbak op om het deksel van de stofbak te openen. [14]
3. Verwijder het scheidingssysteem (inclusief het geïntegreerde reinigingssysteem voor de kap) van de stofbak. [15]
4. Gebruik indien nodig een doek om overtollig stof van het scheidingssysteem te verwijderen (inclusief het geïntegreerde reinigingssysteem voor de kap).
5. Plaats de stofbak onder de kraan. Spoel af met lauwwarm water. Reinig de interne oppervlakken van het reservoir alleen met water. Gebruik GEEN schoonmaakmiddelen om de binnenkant van het reservoir te reinigen.
6. Plaats de interne component opnieuw vast in de stofbak, zorg ervoor dat alle onderdelen droog zijn.
7. Doe de stofbak klep dicht en plaats de stofbak samenstelling opnieuw in de stofzuiger.

Een verstopping verwijderen

1. Controleer of het stofreservoir vol is. Zo ja, zie 'Het stofreservoir legen'.
2. Als de stoftank leeg is, maar de afzuiging is nog steeds laag:
 - A. Moeten de filters worden gereinigd? Zo ja, zie 'Wasbare filters reinigen'.
 - B. Controleer of niets het systeem blokkeert. - Gebruik een staaf of een stok om eventuele verstoppingen uit de verlengbuis of zuigslang te verwijderen.
 - C. Controleer of de pre-motorfilter is geplaatst.
 - D. Controleer of de scheidingseenheid gereinigd moet worden. Zie 'Reinigen van de separatie-eenheid'.

CHECKLIST VOOR DE GEBRUIKER

Mocht u problemen ondervinden met dit product, loop dan deze eenvoudige checklist na voordat u uw Hoover dealer belt.

- Krijgt de stofzuiger wel stroom? Controleer dit met een ander elektrisch toestel.
- Is het stofreservoir vol? Zie 'Onderhoud stofzuiger'.
- Is de filter verstopt? Zie 'De filter reinigen'.
- Is de slang of de zuigmond geblokkeerd? Zie 'Verstoppingen uit het systeem verwijderen'.

- Is de stofzuiger oververhit? Zo ja, dan duurt het ongeveer dertig minuten voordat het toestel weer gebruiksklaar is.

BELANGRIJKE INFORMATIE

HOOVER RESERVEONDERDELEN EN GEBRUIKSARTIKELEN

Gebruik uitsluitend originele reserveonderdelen van Hoover. Deze zijn verkrijgbaar bij uw Hoover dealer. Als u onderdelen bestelt, vermeld dan altijd het modelnummer.

Hoover Service

Mocht u gebruik willen maken van de service, neem dan contact op met uw Hoover dealer.

KWALITEIT

BSI ISO 9001

De fabrieken van Hoover zijn op onafhankelijke wijze getest op kwaliteit. Onze producten worden vervaardigd aan de hand van een kwaliteitssysteem dat voldoet aan de vereisten van ISO 9001.

JOUW GARANTIE

De garantievoorwaarden voor dit toestel worden bepaald door onze vertegenwoordiger in het land waar het toestel wordt verkocht. Details omtrent deze voorwaarden zijn verkrijgbaar bij de dealer waar u het toestel hebt gekocht. Wanneer u aanspraak wilt maken op deze garantie, dan moet u het verkoop- of ontvangstbewijs voorleggen.

Wijzigingen zijn zonder voorafgaande kennisgeving mogelijk.

INSTRUÇÕES PARA UMA UTILIZAÇÃO SEGURA

Este aparelho só deve ser utilizado para limpeza doméstica, conforme descrito neste guia do utilizador. Certifique-se de que este manual é totalmente compreendido antes de utilizar o aparelho.

Não deixe o aparelho ligado. Desligue sempre o aparelho e retire a ficha da tomada após a utilização ou antes de o limpar ou executar qualquer tarefa de manutenção.

Este aparelho pode ser utilizado por crianças com idade igual ou superior a 8 anos e por pessoas com capacidades mentais, sensoriais e físicas reduzidas ou sem experiência e conhecimento caso lhes sejam fornecidas instruções e supervisão relativas à utilização do aparelho de modo seguro e caso compreendam os perigos envolvidos. As crianças não devem brincar com o aparelho.

A limpeza e a manutenção não devem ser efetuadas por crianças sem supervisão.

Se o cabo de alimentação estiver danificado deixe de utilizar o aparelho imediatamente. Para evitar um perigo para a segurança, deve ser um técnico de assistência Hoover a substituir o cabo de alimentação.

Mantenha as mãos, os pés, as roupas largas e o cabelo longe das escovas rotativas.

Utilize exclusivamente acessórios, peças sobressalentes ou consumíveis recomendados ou fornecidos pela HOOVER.

Eletricidade estática: Algumas alcatifas podem provocar uma pequena acumulação de electricidade estática. A descarga de electricidade estática não constitui qualquer perigo para a saúde.

Não utilize o aparelho no exterior, em superfícies húmidas ou para aspirar líquidos.

Não aspire objetos duros ou afiados, fósforos, cinzas quentes, pontas de cigarro ou outros itens semelhantes.

Não pulverize nem aspire líquidos inflamáveis, líquidos de limpeza, aerossóis ou respetivos vapores.

Não passe por cima do cabo de alimentação ao utilizar o aspirador nem retire a ficha puxando pelo cabo de alimentação.

Não continue a utilizar o aparelho se este parecer defeituoso. Não permaneça em cima do cabo de alimentação nem o enrole à volta das pernas ou braços ao utilizar o aparelho. Não utilize o aparelho para limpar pessoas ou animais. Não posicione o aparelho num nível superior aquele em que se encontra ao limpar escadas.

Assistência HOOVER: Para assegurar o funcionamento seguro e eficiente deste aparelho, recomendamos que todas as intervenções de assistência ou reparação sejam efectuadas apenas por um técnico de assistência autorizado da Hoover.

Ambiente

O símbolo no aparelho indica que este não pode ser tratado como resíduo doméstico. Pelo contrário, deve ser encaminhado para o ponto de recolha aplicável para reciclagem de equipamento elétrico e eletrónico. A eliminação deve ser realizada em conformidade com as leis ambientais locais relativas à eliminação de resíduos. Para obter informações mais detalhadas sobre o tratamento, recuperação e reciclagem deste produto, contacte as autoridades locais, o serviço de eliminação de resíduos domésticos ou a loja onde adquiriu o produto.



Este aparelho está em conformidade com as Diretivas Europeias 2014/35/EU, 2014/30/EU e 2011/65/EU.

CANDY HOOVER GROUP S.r.l. Via Privata Eden Fumagalli, 20861 Brugherio (MB) Italy

APRESENTAÇÃO DO APARELHO

- | | |
|---|---|
| A. Montagem do depósito de pó | P1. Adaptador do tubo telescópico** |
| B. Corpo principal do aspirador | P2. Ligação fixa do tubo telescópico* |
| C. Ranhura de Arrumação | Q. Filtro do escape |
| D. Botão de controlo para ligar/desligar | R. Suporte de acessórios* |
| E. Botão da bobina de cabo | S. Escova para Pisos e Alcatifas (GP)** |
| F. Trinco de abertura da tampa do depósito de pó | Sa. Ligação fixa do bocal de tapetes e piso* |
| G. Pega de libertação do depósito de pó | Sb. Selector de tipo de pavimentos |
| H. Tampa do depósito de pó | Sc. Regulator aspirador bico* |
| I. Sistema de separação com sistema de limpeza de cobertura integrado | T. Filtro do pré-motor |
| J. Contentor de pó | U. Escova para Pisos e Alcatifas (GP)** |
| K. Trinco da aba do depósito de pó | Ua. Selector de tipo de pavimentos |
| L. Tubo flexível | V. Ferramenta para móveis* |
| M. Pega de conforto avançado com punho suave, regulador da sucção e acessórios integrados (Consulte M1**) | W. Acessório para fendas* |
| M1. Acessórios integrados: Ferramenta de fissuras incorporada, Escova para o pó e ferramenta para móveis | X. Ferramenta comprida 2 em 1* |
| N. Pega inteligente com escova de pó integrada** | Y. Bocal para mobília avançado* |
| N1. Escova para pó integrada* | Z. Bocal para retirar pelos dos animais de dupla ação com mini turbo* |
| O. Regulador de sucção na pega** | AA. Bocal para remover alérgenos de dupla ação com mini turbo* |
| P. Tubo Telescópico** | AB. Escova Extra para parquet* |
| | AC. Bocal extra para cuidados com parquet* |
| | AD. Kit de acessórios para automóvel*: |
| | a. Saco de acessórios |
| | b. Escova para pó grande |
| | c. Acessório para fendas flexível XL |

MONTAGEM DO APARELHO

Retire todos os componentes da embalagem.

- Ligue o tubo flexível ao corpo principal do aspirador, certificando-se de que encaixa e fica bem fixo. Para soltar: basta premir os botões na extremidade do tubo flexível e puxar. [1]
- Ligue a pega** do tubo flexível à extremidade no tubo flexível de extensão superior ou aos acessórios*, caso seja necessário. [2]
- Ligue a extremidade inferior do tubo de extensão à escova** [3] para pisos e alcatifa ou os acessórios*, se for necessário.
- As ferramentas do acessório de limpeza* podem ser armazenadas após a utilização na parte inferior do tubo de extensão utilizando o suporte do acessório fornecido*.

* Apenas em alguns modelos

** Poderá variar dependendo do modelo

UTILIZAR O SEU APARELHO

- Extraia o cabo de alimentação e ligue-o na fonte de alimentação. Não puxe o cabo para além do marcador vermelho. [6]
- Ajuste o comprimento do tubo telescópico ao mover o ajustador do tubo telescópico** para cima e levante ou desça a pega da mangueira para a posição de limpeza mais confortável. [5]
- Escova para pavimentos e alcatifas**. Pressione o pedal na escova [4] para seleccionar o modo de limpeza ideal para o tipo do seu pavimento.
 - Piso duro:** Baixar as escovas para proteger o soalho.
 - Alcatifas:** Levantar as escovas para uma limpeza em profundidade.

Escova para pavimentos e alcatifas**: [4]

- **Limpeza de pisos duros:** Pressione o pedal do seletor de tipo de piso no bocal no modo Piso duro e ajuste o regulador de sucção do bocal para abrir [4a] ou fechar [4b] para a posição de limpeza mais confortável. Nesta posição, as escovas são abaixadas para proteger os pavimentos duros.
 - **Limpeza de carpetes:** Pressione o pedal do seletor de tipo de piso no bocal no modo Carpete e ajuste o regulador de sucção do bocal para a posição aberta. Nesta posição, as escovas são levantadas para uma limpeza intensa da sua carpete. [4c] Sugere-se abrir o regulador de sucção do bocal na carpete para permitir um melhor deslizamento.
- Ligue o aspirador pressionando o botão ligar/desligar no corpo principal do aspirador. [8]
 - Controlo de potência fixa*** - O aspirador irá funcionar com uma definição de potência fixa.

Pega de conforto avançado com acessórios integrados:** [M, M1]

- **Acessório de cantos integrado:** A extremidade do manípulo do tubo flexível pode ser utilizado como uma ferramenta para fissuras para alcançar espaços mais estreitos.
- **Ferramenta para móveis:** Pressione os trincos de ambos os lados do manípulo e deslize para baixo para desapertar a ferramenta para móveis para limpar superfícies suaves e têxteis (cortinas, estofos).
- **Escova para pó:** Pressione os trincos de ambos os lados do manípulo e deslize para baixo e, em seguida, empurre o deslizador para a extremidade para libertar a escova para o pó incorporada. Ideal para superfícies rígidas (prateleiras, teclados, rodapés).
- **Regulador de Sucção**:** Ajuste a potência de sucção ao abrir ou fechar a válvula de ar no manípulo. [9, O**]

Pega inteligente**: [N,N1]

- **Regulador de Sucção** [O]:** Ajuste a potência de sucção ao abrir ou fechar a válvula de ar no manípulo.

- **Escova para pó:** Está integrado diretamente por baixo da pega da mangueira.
- 6. Desligue no final da utilização o botão Ligar/Desligar no corpo principal do aspirador. Desligue da corrente e enrole o cabo de alimentação ao premir o botão da bobina de cabo.
- 7. Descanso e arrumação - O tubo pode ser fixado temporariamente durante a utilização, ou colocado na posição de arrumação quando não estiver a ser utilizado. [11]

ACESSÓRIOS

Para obter o melhor desempenho e eficiência energética é recomendada a utilização das escovas correctas para as principais operações de limpeza. As escovas estão indicadas nos diagramas pelas letras **GP**, **HF** ou **CA**.

Uma escova do tipo **GP** pode ser utilizada para limpar alcatifas e pisos duros.

Uma escova do tipo **HF** é adequada para utilização apenas em pisos duros.

Uma escova do tipo **CA** é adequada para utilização apenas em alcatifas. As restantes escovas são acessórios para tarefas de limpeza especializadas e são recomendadas apenas para utilização ocasional.

Todos os acessórios podem ser montados no manípulo da mangueira* ou na extremidade do tubo telescópico.

Conjunto de Acessórios**:

Acessório para fendas – Para cantos e áreas difíceis de alcançar.

Escova para móveis – para mobiliário macio e tecidos.

Escova para pó – Para estantes de livros, molduras, teclados e outras áreas delicadas.

Bocal para retirar pelos dos animais de dupla ação* [Z] – Utilize a mini escova turbo em escadas ou para uma limpeza em profundidade de tecidos e outras áreas mais difíceis. Especialmente adequada para a remoção de pêlos de animais.

Bocal para remover alérgenos de dupla ação* [AA] – Utilize a mini-escova turbo em escadas ou para a limpeza em profundidade de superfícies têxteis e outras áreas de difícil limpeza, especialmente adequada para a remoção de alérgenos.

Bocais para cuidados com parquet e cuidados extra* [AC,AB] – Para pavimentos de parquet e outros pavimentos delicados.

Ferramenta comprida 2 em 1* [X] – Ferramenta para fissuras e escova para o pó - Permite limpar áreas de difícil alcance como prateleiras e cantos altos.

IMPORTANTE: Não utilize mini escovas turbo em tapetes com franjas, animais e alcatifas com um pêlo com mais de 15 mm de altura. Não mantenha o bocal parado enquanto a escova está em rotação.

Acessórios do kit para automóvel* [AD]:

Acessório para fendas flexível XL* – Ideal para limpar o automóvel. O seu comprimento permite limpar áreas difíceis de alcançar, assim como cavidades estreitas.

Escova do pó de grandes dimensões com bocal integrado para limpar mobiliário* – ideal para limpar superfícies suaves e delicadas no automóvel ou no lar

Saco de acessórios* – para guardar de forma ideal todos os acessórios.

* Apenas em alguns modelos

** Poderá variar dependendo do modelo

MANUTENÇÃO DO APARELHO

Esvaziar o depósito de pó

Quando o pó atingir o indicador de nível máximo no recipiente, esvaziar o recipiente do lixo.

IMPORTANTE: Para manter o melhor desempenho, não permita que o pó ultrapasse o nível máximo.

1. Desligue o aspirador ao premir o botão Ligar/Desligar no corpo principal do aspirador [8] e retire o cabo da tomada.
2. Levante a pega de libertação do depósito de pó e remova o conjunto do depósito de pó do aspirador. [12]
3. Segure no depósito de pó com uma mão e com a outra, prima o botão de libertação da aba do depósito de pó. [13]
4. Feche a aba do depósito de pó e volte a colocar o conjunto do depósito de pó no corpo principal do aspirador.

Limpar os filtros laváveis

O aspirador está equipado com uma unidade de filtro azul. Para manter um óptimo desempenho de limpeza, os filtros devem ser retirados regularmente e batidos contra a parte lateral do cesto de lixo para libertar o pó. Os filtros devem ser lavados em cada 5 despejos do depósito de pó ou quando apresentarem um nível de pó excessivo.

IMPORTANTE: Todos os aspiradores sem saco necessitam de limpeza regular do filtro. Se não limpar os seus filtros isto poderá resultar num bloqueio de ar, sobreaquecimento ou falha do produto. Isto poderá tornar a sua garantia inválida.

IMPORTANTE: Efectue regularmente a verificação e manutenção dos filtros.

IMPORTANTE: Verifique sempre se a unidade do filtro está completamente seca.

Para aceder ao filtro do pré-motor:

1. Levante a pega de libertação do depósito de pó e remova o conjunto do depósito de pó do aspirador. [12]
2. Segure no depósito de pó com uma mão e com a outra, levante o trinco de abertura da tampa do depósito de pó para abrir a tampa do depósito de pó. [14]
3. Retire o filtro do pré-motor do depósito localizado na tampa do depósito. [16]
4. Bata cuidadosamente e lave o filtro do pré-motor. Não utilize água quente nem detergentes. Remova o excesso de água do filtro e deixe secar completamente antes de usar de novo. [19, 20]
5. Volte a montar o filtro do pré-motor na tampa do depósito do pó quando estiver totalmente seca e recolque-o no aspirador.

Para aceder ao filtro de exaustão:

1. Desengate a tampa do filtro de escape da parte posterior do corpo principal do aspirador. [17]

2. Retire o filtro de escape da parte posterior do aspirador. [18]
3. Bata suavemente e lave o filtro com água morna. Não utilize água quente nem detergentes. Remova o excesso de água do filtro e deixe secar completamente antes de usar de novo. [19, 20]
4. Instale novamente o filtro de escape da parte posterior do aspirador assim que estiver totalmente seco, bem como a tampa do filtro de escape.

IMPORTANTE: Não utilize o aspirador sem a unidade do filtro colocada.

Limpar o contentor de pó / a unidade de separação

Este aspirador utiliza um sistema de separação e sistema de limpeza de cobertura único da Hoover. Se necessário, a unidade de separação pode ser desmontada do depósito do pó para ser limpa.

1. Levante a pega de libertação do depósito de pó e remova o conjunto do depósito de pó do aspirador. [12]
2. Segure no depósito de pó com uma mão e com a outra, levante o trinco de abertura da tampa do depósito de pó para abrir a tampa do depósito de pó. [14]
3. Remova o sistema de separação (incluindo o sistema de limpeza da cobertura integrado) do depósito de pó. [15]
4. Se necessário, utilize um pano para remover o pó em excesso do sistema de separação (incluindo o sistema de limpeza de cobertura integrado).
5. Coloque o depósito de pó sob a torneira. Enxague com água tépida. Lave as superfícies internas do depósito de pó apenas com água. NÃO utilize detergentes para lavar as peças interiores depósito de pó.
6. Volte a montar o componente interno no depósito de pó garantindo que todos os componentes estão secos.
7. Feche a tampa do depósito de pó e volte a instalar o conjunto do depósito de pó no aspirador.

Remover uma obstrução

1. Verifique se o depósito de pó está cheio. Caso esteja, consulte a secção “Esvaziar o depósito de pó”.
2. Se o depósito de pó está vazio mas a aspiração continua fraca:
 - A. Os filtros necessitam de limpeza? Caso necessitem, consulte a secção “Limpar os filtros laváveis”.
 - B. Caso esteja, consulte a secção “Esvaziar o depósito de pó”. - Utilize uma vara ou um pau para remover qualquer obstrução do tubo de extensão ou do tubo flexível.
 - C. Verifique se o filtro anterior ao motor está colocado.
 - D. Verifique se a unidade de separação necessita de ser limpa. Consulte “Limpar a unidade de separação”.

LISTA DE VERIFICAÇÃO DO UTILIZADOR

Se tiver algum problema com o aparelho, preencha esta simples lista de verificação do utilizador antes de chamar o serviço de assistência Hoover local.

- O aspirador tem alimentação de corrente? Verifique com outro aparelho eléctrico.
- O depósito de pó está demasiado cheio? Consulte “Manutenção do Aspirador”.
- O Filtro está sujo? Consulte “Limpeza do filtro”.
- O tubo flexível ou o bocal estão entupidos? Consulte “Remover uma obstrução do sistema”.
- O aspirador apresenta sobreaquecimento? Em caso afirmativo, a reposição automática ocorrerá passados cerca de 30 minutos.

INFORMAÇÕES IMPORTANTES

PEÇAS SOBRESSALENTES E CONSUMÍVEIS HOOVER

Substitua sempre as peças por peças sobressalentes Hoover genuínas. Pode obtê-las junto do seu representante local ou diretamente da Hoover. Quando encomendar peças, mencione sempre o número do seu modelo.

Assistência Hoover

Se necessitar de assistência a qualquer altura, queira contactar o seu serviço de assistência Hoover local.

QUALIDADE

BSI ISO 9001

A qualidade das instalações industriais da Hoover foi avaliada de forma independente. Os nossos produtos são fabricados de acordo com um sistema de qualidade que satisfaz os requisitos da norma ISO 9001.

A SUA GARANTIA

As condições de garantia para este aparelho são as definidas pelo nosso representante no país onde foi vendido. Pode obter detalhes sobre estas condições junto do agente a quem adquiriu o aparelho. A fatura de venda ou o recibo deverão ser entregues quando apresentar uma reclamação ao abrigo dos termos da garantia.

Sujeito a alteração sem aviso prévio.

INSTRUCCIONES PARA UN USO SEGURO

Este aparato solo debe utilizarse para la limpieza doméstica, como se describe en este manual de usuario. Asegúrese de haber comprendido todo el contenido de este manual antes de poner en funcionamiento el aparato.

No deje enchufado el aparato. Apague y desenchufe siempre el aparato antes de limpiarlo o de efectuar cualquier labor de mantenimiento.

Este aparato puede ser usado bajo supervisión por niños de 8 años en adelante, personas con capacidades físicas, sensoriales o mentales reducidas o falta de experiencia y conocimiento siempre con una explicación previa de las instrucciones con respecto al uso del aparato de manera segura y que comprendan los riesgos implicados. Los niños no deben jugar con el aparato.

Los niños no deben limpiar ni dar mantenimiento sin supervisión.

Si el cable de alimentación está dañado, deje de utilizar el aparato inmediatamente. Para evitar peligros de seguridad, solo profesionales del Servicio Técnico de Hoover deben reemplazar el cable de alimentación.

Mantener lejos de los cepillos rotatorios los pies, manos, ropa y cabellos.

Utilizar únicamente accesorios, consumibles o recambios recomendados o suministrados por HOOVER.

Electricidad estática: Algunas alfombras pueden provocar una pequeña acumulación de electricidad estática. Las descargas estáticas no son peligrosas para la salud.

No utilice el aparato al aire libre, en superficies húmedas o para recoger líquidos.

No aspire objetos duros o afilados, cerillas, cenizas calientes, colillas de cigarrillo u objetos similares.

No acompañe la limpieza con líquidos inflamables o aerosoles.

No pase por encima del cable de alimentación cuando utilice el aparato ni lo desenchufe tirando del cable.

No siga utilizando el aparato si parece tener algún defecto. No pise el cable, ni lo enrolle en brazos ni piernas al utilizar el aparato.

No utilice el aparato sobre personas ni animales.

No sitúe el aparato por encima de usted cuando esté limpiando las escaleras.

Servicio Técnico HOOVER: Para garantizar el funcionamiento seguro y eficaz del aparato, recomendamos que las tareas de mantenimiento y reparación sean realizadas exclusivamente por profesionales autorizados del Servicio Técnico de Hoover.

El Medio Ambiente:

El símbolo que puede verse en el producto indica que este no puede tratarse como residuo doméstico. En su lugar, se debe entregar en un punto de recogida de electrodomésticos para el reciclaje de equipos eléctricos y electrónicos. La eliminación debe llevarse a cabo según los reglamentos medioambientales locales sobre eliminación de residuos. Para más información sobre el tratamiento, la recuperación y el reciclaje de este aparato, ponte en contacto con tu Ayuntamiento, el servicio de recogida de residuos domésticos o con el establecimiento donde hayas comprado el producto.



Este electrodoméstico cumple con las Directivas Europeas 2014/35/UE, 2014/30/UE y 2011/65/UE.

CANDY HOOVER GROUP S.r.l. Via Privata Eden Fumagalli, 20861 Brugherio (MB) Italy

INFORMACIÓN SOBRE EL APARATO

- | | |
|---|--|
| A. Grupo recolector de polvo | P2. Conexión segura del tubo telescópico* |
| B. Cuerpo principal del aparato | Q. Filtro de Descarga |
| C. Parking Slot | R. Porta-accesorios* |
| D. Botón de On/Off | S. Cepillo para alfombras y suelos (GP)** |
| E. Botón para recoger cable | Sa. Conexión segura del cepillo para alfombras y suelos* |
| F. Pestillo de apertura de la tapa del depósito de polvo | Sb. Selector de tipo de pisos |
| G. Asa de liberación del depósito de polvo | Sc. Regulador de potencia de succión de la boquilla* |
| H. Tapa del recolector de polvo | T. Filtro pre-motor |
| I. Sistema de separación con sistema de limpieza de la cubierta integrado | U. Cepillo para alfombras y suelos (GP)** |
| J. Depósito de polvo | Ua. Selector de tipo de pisos |
| K. Pulsador de desbloqueo de la solapa del depósito de suciedad | V. Accesorio para muebles* |
| L. Manguera | W. Accesorio rincones* |
| M. Asa de confort con agarre suave, regulador de la potencia de succión y accesorios integrados (Ver M1**) | X. Accesorio largo 2 en1* |
| M1. Accesorios integrados: Accesorio para rincones incorporado, Cepillo para polvo y accesorio para muebles | Y. Boquilla para muebles* |
| N. Asa inteligente con cepillo para polvo integrado** | Z. Cepillo Miniturbo de doble acción para pelo de animales* |
| N1. Cepillo polvo integrado* | AA. Cepillo Miniturbo de doble acción para la eliminación de alérgenos* |
| O. Regulador de potencia de succión del asa** | AB. Tobera Parquet Extra* |
| P. Tubo telescópico** | AC. Cepillo especial para el cuidado del parquet* |
| P1. Regulador del tubo telescópico** | AD. Kit de accesorios para coche*:
a. Bolsa para accesorios
b. Cepillo grande para polvo
c. Accesorio para rincones flexible XL |

MONTAJE DEL APARATO

Saque todas las piezas del embalaje.

1. Conecte la manguera a la estructura central del aspirador, asegurándose de que quede encajado y bien sujeto en su sitio. Para liberar la manguera: simplemente hay que ejercer presión sobre los botones que se encuentran en el extremo de la manguera y tirar. [1]
2. Conecte la manguera** al extremo superior del tubo telescópico o a los accesorios*, si es necesario. [2]

* Solo para algunos modelos

** Puede variar dependiendo del modelo

3. Conecte el extremo inferior del tubo de extensión al cepillo** [3] para alfombras y suelos o de ser necesario a los accesorios*.
4. Los accesorios de limpieza se pueden guardar* después de su uso en la parte inferior del tubo de extensión, utilizando el porta-accesorios suministrado*.

USO DEL APARATO

1. Extraiga el cable de alimentación y enchúfelo a la toma de corriente. No debe continuar tirando cuando llegue a la marca roja. [6]
2. Ajuste la longitud del tubo telescópico moviendo el ajustador del tubo telescópico** hacia arriba y suba o baje el mango de la manguera hasta la posición de limpieza más cómoda. [5]
3. Tobera para alfombras y suelos**. Apriete el pedal en la tobera [4] para seleccionar el modo ideal de limpieza según el tipo de suelo.

Suelos duros : Los cepillos inferiores sirven para proteger el suelo.

Alfombra : Para una limpieza profunda utilice los cepillos alzados.

Tobera para alfombras y suelos**: [4]

- **Limpieza de suelos duros**: Presione el pedal selector del tipo de suelo en la boquilla en el modo de suelo duro y ajuste el regulador de succión de la boquilla a la posición abierta [4a] o cerrada [4b] para una posición de limpieza más cómoda. En esta posición, los cepillos se bajan para proteger los suelos duros.
 - **Limpieza de alfombras**: Presione el pedal selector del tipo de suelo en el cepillo en el modo de alfombras y ajuste el regulador de succión del cepillo a la posición abierta. En esta posición los cepillos se elevan para una limpieza más profunda de su alfombra. [4c] Se sugiere abrir el regulador de succión del cepillo en alfombras para permitir un mejor deslizamiento.
4. Encienda el aspirador pulsando el botón de encendido/apagado que se encuentra en la estructura central del aspirador. [8]
 5. **Control de potencia Fija*** - El aspirador funcionará a una potencia prefijada.

Asa de transporte con accesorios integrados:** [M, M1]

- **Accesorio para rincones incorporado**: El extremo de la manguera se puede utilizar como accesorio para rincones para alcanzar espacios estrechos.
- **Accesorio para muebles**: Presione las pestañas a cada lado del asa y deslice hacia abajo para liberar el accesorio para muebles para limpiar superficies suaves y tejidos (cortinas, tapicería).
- **Cepillo para polvo**: Presione las pestañas a cada lado del asa y deslice luego hacia abajo empujando el control deslizante hasta el final para liberar el cepillo para polvo incorporado. Ideal para superficies duras (estantes, teclados, zócalos).
- **Regulador de succión****: Ajuste la succión abriendo o cerrando la válvula de aire del asa. [9, O**]

Asa inteligente:** [N,N1]

- **Regulador de succión** [O]:** Regule la potencia de succión abriendo o cerrando la válvula de aire que está en el asa.
 - **Cepillo para polvo:** Está integrada directamente debajo del asa de la manguera.
6. Apague el aparato al final de su uso pulsando el botón de encendido/apagado en el cuerpo principal del aspirador. Desenchufe y rebobine el cable de alimentación pulsando el botón de recogida de cable.
 7. Estacionamiento y almacenamiento - El tubo puede ser estacionado para almacenamiento transitorio durante el uso, o en la posición de almacenamiento cuando no se esté utilizando. [11]

ACCESORIOS

Para obtener los mejores resultados y eficiencia energética se recomienda utilizar cepillos adecuados para cada sesión de limpieza. Estos cepillos se indican en los diagramas con las letras **GP**, **HF** o **CA**.

Un cepillo de tipo **GP** se puede utilizar para limpiar tanto alfombras, como suelos duros.

Un cepillo de tipo **HF** es adecuado solo para la limpieza de suelos duros.

Un cepillo de tipo **CA** es adecuado solo para la limpieza de alfombras.

Las demás toberas son accesorios para efectuar tareas de limpieza especializadas y se recomiendan solo para un uso ocasional.

Todos los accesorios pueden instalarse en el asa* de la manguera o en el extremo del tubo telescópico.

Juego de Accesorios:**

Accesorio rincones – Para rincones y zonas de difícil acceso.

Cepillo para limpieza de muebles – Para cortinajes y muebles con tejidos blandos.

Cepillo para polvo – Para estanterías, marcos, teclados y demás áreas delicadas.

Cepillo de doble acción para pelo de animales* [Z] – Emplee la mini tobera turbo para la limpieza de escaleras o para la limpieza a fondo de tejidos y demás áreas difíciles de limpiar. Particularmente adecuada para eliminar los pelos de los animales domésticos.

Cepillo de doble acción para la eliminación de alérgenos* [AA] – Emplee la mini tobera turbo para la limpieza de escaleras o para la limpieza a fondo de tejidos y demás áreas difíciles de limpiar, ideal para eliminar alérgenos.

Cepillo para el cuidado especial del parquet y cepillo para el cuidado del parquet* [AC,AB] – Para suelos de parqué y demás suelos delicados.

Accesorio largo 2 en1* [X] – Accesorio para rincones y cepillo para polvo - Permite limpiar áreas difíciles de alcanzar como estantes y esquinas elevadas.

IMPORTANTE: No utilice la tobera mini turbo para alfombras que tengan flecos largos, estén hechas de piel animal, ni sean de un espesor superior a 15 mm. No mantener la tobera fija en un sitio mientras esté girando el cepillo.

Kit de accesorios para el coche* [AD]:

Accesorio para rincones flexible XL* – Ideal para la limpieza del automóvil. Su longitud

* Solo para algunos modelos

** Puede variar dependiendo del modelo

permite la limpieza de zonas difíciles de alcanzar y ranuras estrechas.

Cepillo para polvo grande con boquilla para muebles integrada* – Adecuado para limpiar superficies suaves y delicadas tanto en el automóvil como en el hogar.

Bolsa para accesorios* – para guardar de manera ordenada todos los accesorios.

MANTENIMIENTO DEL APARATO**Vaciado del depósito de suciedad**

Vacíe el depósito de suciedad cuando la suciedad acumulada llegue al indicador de nivel máximo del depósito.

IMPORTANTE: Para que su aspirador mantenga un rendimiento óptimo, no deje que la suciedad acumulada supere el nivel máximo.

1. Apague el aparato pulsando el botón de On/Off del cuerpo principal [8] y desenchufe el cable de alimentación.
2. Levante el asa de liberación del depósito de polvo y retire el conjunto del depósito. [12]
3. Sujete el depósito de polvo con una mano y con la otra presione el botón de liberación de la tapa del recolector de polvo. [13]
4. Cierre la tapa del depósito de polvo y vuelva a colocar el conjunto del recolector de polvo en el cuerpo principal del aparato.

Limpieza de los filtros lavables

El aspirador está equipado con un paquete de filtros azules. Para que su aspirador mantenga un rendimiento óptimo debe extraer con regularidad los filtros y sacudirlos contra el lateral del cubo de basura para desincrustar la suciedad. Los filtros deben lavarse cada 5 vaciados del recolector o cuando el filtro tenga un nivel de polvo excesivo.

IMPORTANTE: Todos los aspiradores sin bolsa requieren una limpieza regular de los filtros. De no hacerlo, sus filtros pueden producir bloqueos de aire, recalentamiento y fallos en el producto; lo cual además puede hacer invalidar la garantía.

IMPORTANTE: Compruebe los filtros con regularidad y manténgalos en buen estado.

IMPORTANTE: Cerciórese siempre de que el paquete de filtros esté completamente seco antes de utilizarlo de nuevo.

Para acceder al filtro Pre-Motor:

1. Levante el asa de liberación del depósito de polvo y retire el conjunto del depósito. [12]
2. Sujete el recolector de polvo con una mano y con la otra levante el pestillo de apertura de la tapa del depósito de polvo para abrir la tapa. [14]
3. Extraiga el filtro pre-motor ubicado en la tapa del recolector. [16]
4. Golpee suavemente y lave el filtro pre-motor. No usar agua hirviendo o detergentes. Eliminar el exceso de agua del filtro y dejar que se seque completamente antes de usarlo nuevamente. [19, 20]
5. Cuando se haya secado por completo, vuelva a montar el filtro pre-motor en la tapa del recolector de polvo y encaje nuevamente en la aspiradora.

Para acceder al filtro:

1. Desenganche la cubierta del filtro de salida de aire de la parte trasera del cuerpo principal del aspirador. [17]
2. Extraiga el filtro de salida de aire de la parte trasera del aspirador. [18]
3. Golpear levemente y lavar el filtro utilizando agua templada. No usar agua hirviendo o detergentes. Eliminar el exceso de agua del filtro y dejar que se seque completamente antes de usarlo nuevamente. [19, 20]
4. Vuelva a encajar el filtro de salida de aire en la parte trasera del aspirador una vez que esté completamente seco y vuelva a encajar la cubierta del filtro de salida de aire.

IMPORTANTE: No utilice el aparato si el paquete de filtros no está instalado.

Limpieza del contenedor de polvo / unidad de separación

Este aparato utiliza un sistema de separación y de limpieza de la cubierta exclusivo de Hoover. Si es necesario, la unidad se puede desmontar del contenedor recolector de polvo para ser limpiada.

1. Levante el asa de liberación del depósito de polvo y retire el conjunto del depósito. [12]
2. Sujete el depósito de polvo con una mano y con la otra levante el pestillo de apertura de la tapa del recolector de polvo para abrirla. [14]
3. Retire el sistema de separación (incluido el sistema integrado de limpieza de la cubierta) del depósito de polvo. [15]
4. Si es necesario, utilice un paño para eliminar el exceso de polvo del sistema de separación (incluido el sistema integrado de limpieza de la cubierta).
5. Ponga el depósito de polvo debajo del grifo. Enjuagar con agua tibia. Lavar las superficies internas del contenedor solo con agua. NO usar detergentes a base de jabón para lavar las partes internas del contenedor.
6. Vuelva a montar los componentes internos en el recolector de polvo, asegurándose de que todos los componentes estén secos.
7. Cierre la tapa del recolector de polvo y vuelva a encajar el grupo recolector de polvo en la aspiradora.

Eliminación de obstrucciones

1. Compruebe si el depósito de suciedad está lleno. En caso afirmativo, consulte el apartado "Vaciado del depósito de suciedad".
2. Si el depósito está vacío y la potencia de aspirado es aún baja:
 - A. ¿Cabe la posibilidad de que sea preciso limpiar los filtros? En caso afirmativo, consulte el apartado "Limpieza de los filtros lavables".
 - B. Compruebe si existe alguna otra obstrucción en el sistema - Utilice una varilla o una barra para eliminar cualquier obstrucción del tubo de extensión o de la manguera flexible.
 - C. Comprobar que el filtro pre-motor se encuentre instalado.
 - D. Comprobar si es necesario limpiar la unidad multiciclónica. En caso afirmativo, véase el capítulo "Limpieza de la unidad de separación"

LISTA DE COMPROBACIÓN PARA EL USUARIO

Si surgiera algún problema con el producto, lleve a cabo las sencillas comprobaciones que se enumeran a continuación antes de llamar al Servicio Técnico de Hoover.

- ¿Hay suministro de corriente para el aspirador? Pruebe con otro aparato eléctrico.
- ¿El contenedor recolector de polvo está lleno? Remítase al capítulo "Mantenimiento del Aspirador".
- ¿El filtro está bloqueado? Véase el apartado "Limpieza del filtro".
- ¿Está obstruida la manguera o la tobera? Consulte "Eliminación de una obstrucción en el sistema".
- ¿Se ha recalentado el aspirador? En caso afirmativo, tardará aproximadamente 30 minutos en reiniciarse automáticamente.

INFORMACIÓN IMPORTANTE**PIEZAS DE REPUESTO Y CONSUMIBLES HOOVER**

Utilice siempre piezas de repuesto originales de Hoover. Puede adquirirlas a través de su Servicio Técnico Oficial de Hoover. Cuando realice pedidos de piezas, indique siempre el número de modelo que posee.

Servicio técnico Hoover

Si en cualquier momento necesitara efectuar reparaciones, diríjase al Servicio Técnico de Hoover más próximo a su domicilio.

CALIDAD

BSI ISO 9001

Las fábricas de Hoover han sido sometidas a inspecciones de calidad independientes. Nuestros productos se fabrican de conformidad con un sistema de calidad que cumple los requisitos de la norma ISO 9001.

SU GARANTÍA

Las condiciones de garantía para este aparato vienen definidas por nuestro representante en el país de venta. Puede obtener los detalles acerca de estas condiciones en el establecimiento donde haya comprado este aparato. Debe mostrarse la factura de compra o el tíquet al hacer alguna reclamación en virtud de las condiciones de garantía.

Sujeto a cambios sin previo aviso.

INSTRUKTIONER FOR SIKKER ANVENDELSE

Denne støvsuger må kun anvendes til almindelig husholdningsrengøring, som beskrevet i brugsanvisningen. Du bør sikre dig, at du har forstået indholdet af denne brugervejledning fuldt ud, inden apparatet tages i brug.

Efterlad ikke støvsugeren tilsluttet. Inden du rengør eller foretager vedligeholdelse af støvsugeren, skal du altid slukke for den og tage stikket ud af stikkontakten.

Dette udstyr kan anvendes af børn, der er 8 år gamle og derover, og af personer med nedsatte fysiske, sensoriske eller mentale evner eller manglende erfaring og viden, hvis de er under opsyn eller vejledning i at bruge udstyret på en sikker måde og forstår de risici, der er involveret. Børn må ikke lege med udstyret.

Rengøring og vedligeholdelse må ikke udføres af børn uden en voksen tilstede.

Hvis netledningen er ødelagt, skal du stoppe med at bruge støvsugeren øjeblikkeligt. For at undgå en sikkerhedsrisiko, skal en autoriseret HOOVER servicetekniker udskifte strømkablet.

Hold hænder, fødder, løstsiddende tøj og hår væk fra roterende børster.

Brug kun tilbehør, forbrugsvarer eller reservedele, som anbefalet eller leveret af Hoover.

Statisk elektricitet: Visse tæpper kan forårsage en mindre akkumulering af statisk elektricitet. Udledning af statisk elektricitet er ikke sundhedsfarligt.

Brug ikke støvsugeren udendørs eller på våde overflader eller til opugning af væsker.

Undlad at opsuge hårde eller skarpe genstande, tændstikker, varm aske, cigaretstumper eller andre lignende genstande.

Undlad at sprøjte med eller opsuge brændbare væsker, rensesvæsker, spraydåser eller spray fra disse.

Undlad at køre over strømkablet når du bruger din støvsuger og undlad at trække stikket ud ved at trække i strømkablet, men hold fast i stikket.

Lad være med at fortsætte at bruge støvsugeren, hvis den ser ud til at være defekt.

Snur hverken ledningen om arme eller ben eller stå på den, mens du bruger støvsugeren.

Undlad at bruge apparatet på at rengøre mennesker eller dyr.

Undlad at lade støvsugeren stå oven for dig, når du rengør trapper.

HOOVER-SERVICE: For at sikre løbende sikker og effektiv drift af dette apparat anbefaler vi, at eftersyn eller reparationer udelukkende udføres af en autoriseret Hoover-servicetekniker.

Miljøet

Symbolet på produktet angiver, at produktet ikke må behandles som husholdningsaffald. Det skal i stedet afleveres til en relevant affaldsstation for genbrug af elektrisk og elektronisk udstyr. Bortskaffelse skal ske i overensstemmelse med de lokale miljøregler vedrørende bortskaffelse af affald.



For mere detaljeret information om behandling, genvinding og genbrug af dette produkt, henvend dig da til den lokale kommune, til dit affaldsselskab eller den forretning hvor du købte produktet.

Dette apparat overholder bestemmelserne i EU-direktiverne 2014/35/EU, 2014/30/EU og 2011/65/EU.

CANDY HOOVER GROUP S.r.l. Via Privata Eden Fumagalli, 20861 Brugherio (MB) Italy

LÆR DIN STØVSUGER AT KENDE

- | | |
|--|---|
| A. Støvbeholder-delen | P2. Sikker tilslutning af teleskopisk rør* |
| B. Støvsugerens hoveddel | Q. Udsugningsfilter |
| C. Parkeringslås | R. Holder til tilbehør* |
| D. Tænd/sluk-strømknap | S. Tæppe- og gulvmundstykke (GP)** |
| E. Knap for ledningsoprulning | Sa. Sikker tilslutning af tæppe- og gulvmundstykke* |
| F. Åbning af lås på låget til støvbeholderen | Sb. Gulvtypevælger |
| G. Udløsningshåndtag til støvbeholder | Sc. Dysesugning regulering* |
| H. Låg til støvbeholder | T. Præ-Motor Filter |
| I. Adskillelssystem med integreret afdækningsrengøringsystem | U. Tæppe- og gulvmundstykke (GP)** |
| J. Støvbeholder | Ua. Gulvtypevælger |
| K. Udløsningsknap til støvbeholderklap | V. Møbelmundstykke* |
| L. Slange | W. Fugemundstykke* |
| M. Avanceret komfortabelt håndtag med blød greb, sugeregulering og integreret tilbehør (Se M1)** | X. Langt 2i1 mundstykke* |
| M1. Integreret tilbehør: Indbygget fugemundstykke, Støvbørste og møbelmundstykke | Y. Avanceret mundstykke til møbler* |
| N. Intelligent håndtag med integreret støvbørste** | Z. Mini-turbomundstykke med dobbelt virkning til dyrehår* |
| N1. Integreret støvbørste* | AA. Mini-turbomundstykke med dobbelt virkning til allergener* |
| O. Sugeregulering på håndtag** | AB. Parketgulvs Ekstra mundstykke* |
| P. Teleskoprør** | AC. Mundstykke til ekstra pleje af parketgulv* |
| P1. Reguleringsanordning til teleskoprør** | AD. Tilbehørssæt til bil*:
a. Etui til tilbehør
b. Stor støvbørste
c. XL fleksibelt fugemundstykke |

MONTERING AF DIN DAMPRENSER

Udtag alle komponenter fra emballagen.

1. Tilslut slangen til støvsugerens hoveddel, og sørg for, at den klikker og låses på plads. Sådan tages den af: Tryk blot på de to knapper for enden af slangen, og træk. [1]
2. Tilslut slangens håndtag** til øvre ende af forlængerrøret eller evt. andet tilbehør*. [2]
3. Tilslut forlængerrørets nedre del til tæppe- eller gulvmundstykket ** [3] eller andet tilbehør*, hvis det er nødvendigt.
4. Rengøringsstilbehøret kan efter brug opbevares* på undersiden af forlængerrøret ved hjælp af tilbehørsholderen*.

* Kun til visse modeller ** Kan variere ifølge model

BRUG AF STØVSUGEREN

1. Træk strømledningen ud, og sæt den i stikkontakten. Træk ikke ledningen længere ud end det røde mærke. [6]
2. Juster længden på det teleskopiske rør ved at flytte justeringsmekanismen** på det teleskopiske rør op, så du kan hæve eller sænke håndtaget, for den mest komfortable rengøringsposition. [5]
3. Tæppe- og gulvmundstykke**. Tryk på pedalen på mundstykket [4] for at vælge den ideelle rengøringsstilstand til gulvtypen.
Hårdt gulv: Børsterne sænkes for at beskytte gulvet.
Tæppe: Med løftede børster for den dybeste rengøring.

Tæppe- og gulvmundstykke**: [4]

- **Rengøring af hårde gulve:** Tryk på vælgerpedalen for gulvtype på mundstykket for at vælge hårde gulve, og juster mundstykkets sugeregulering til åben [4a] eller lukket [4b] position for den mest komfortable rengøringsposition. I denne position er børsterne sænket, for at beskytte hårde gulve.
 - **Tæpperengøring:** Tryk på vælgerpedalen for gulvtype på mundstykket for at vælge tæppe, og juster mundstykkets sugeregulering til åben position. I denne position er børsterne hævet, for en dybere rengøring af dit tæppe. [4c] Det anbefales, at åbne sugereguleringen på mundstykket i forbindelse med tæpper, for at give en bedre glideevne.
4. Tænd for støvsugeren ved at trykke på Tænd/sluk-knappen på støvsugeren. [8]
 5. **Fast sugekraft*** - Robotstøvsugeren kører ved en fastsat sugekraft.

Avanceret komfortabelt håndtag med integreret tilbehør**: [M, M1]

- **Indbygget fugemundstykke:** Rørgrebets ende kan bruges som et fugemundstykke for at nå smalle steder.
- **Møbelmundstykke:** Tryk på hasperne på begge sider af grebet og tryk nedad for at bruge møbelmundstykket til rengøring af bløde overflader og tekstiler (gardiner, polstringer).
- **Børstemundstykke:** Tryk på hasperne på begge sider af grebet og tryk nedad, tryk derefter glideren til dens endestop for at bruge den indbyggede støvbørste. Ideel til hårde overflader (bograoler, tastaturer, gulvlistre).
- **Sugekontrol**:** Justér sugningen ved at åbne eller lukke luftventilen på håndtaget. [9, O**]

Intelligent håndtag**: [N,N1]

- **Sugekontrol** [O]:** Justér sugekontrollen ved at åbne eller lukke luftventilen på grebet.
 - **Børstemundstykke:** Det er integreret direkte under slangehåndtaget.
6. Sluk efter brug ved at trykke på tænd-/slukknappen på støvsugerens hovedenhed. Træk stikket ud, og før ledningen ind ved at trykke på ledningens vindeknap.
 7. Parkering og opbevaring - Slangen kan parkeres for midlertidig opbevaring under brug eller i opbevaringsposition, når det ikke er i brug. [11]

TILBEHØR

For at opnå den bedste ydeevne og effektive udnyttelse af energien, anbefales det at de korrekte mundstykker anvendes til de vigtigste rengøringsformål. Disse mundstykker er vist i illustrationerne ved bogstaverne **GP**, **HF** og **CA**.

Mundstykketypen **GP** anvendes for at rengøre både tæpper og hårde gulve.

Mundstykketypen **HF** er kun velegnet til brug på hårde gulve.

Et mundstykke af typen **CA** er kun velegnet på tæpper

De andre mundstykker er tilbehør for specielle rengøringsopgaver og er kun anbefalede til lejlighedsvis anvendelse.

Alt tilbehør kan monteres på slangens håndtag* eller for enden af teleskoprøret.

Tilbehørsæt**:

Fugemundstykke – Til hjørner og områder, der er vanskelige at komme til.

Møbelmundstykke – Til bløde møbler og stoffer.

Børstemundstykke – Til bogreoler, rammer, tastaturer og andre sarte områder.

Mini-turbomundstykke med dobbelt virkning til dyrehår* [Z] – Brug mini-turbomundstykket på trapper eller til rengøring af tekstiloverflader i dybden og andre områder, der er svære at rengøre. Især velegnet til fjernelse af dyrehår.

Mini-turbomundstykke med dobbelt virkning til allergener* [AA] – Brug mini-turbomundstykket på trapper eller til grundig rengøring af tekstiloverflader og andre områder, der er svære at rengøre. Velegnet til fjernelse af allergener.

Mundstykker til ekstra pleje af parketgulv og til parketgulv* [AC,AB] – Til parketgulve og andre sarte gulve.

Langt 2i1 mundstykke* [X] – Fugemundstykke og støvbørste - De gør det muligt at rengøre de sværeste steder at nå som bogreoler og høje hjørner.

VIGTIGT: Brug ikke turbo- og mini-turbomundstykket på tæpper med lange frynser, skind og på tæppefliser, der er dybere end 15 mm. Hold ikke mundstykket stille, mens børsten roterer.

Tilbehørssæt til bil* [AD]:

XL fleksibelt fugemundstykke* – Ideel til rengøring af bil. Takket være dens længde kan den nå svære områder og smalle fuger.

Stor støvbørste med indbygget rmøbelsbørstemundstykke* – egnet til rengøring af bløde og skrøbelige overflader både i bilen og i hjemmet.

Etui til tilbehør* – al tilbehør kan opbevares med orden.

VEDLIGEHODELSE AF STØVSUGEREN

Tømning af støvbeholderen

Når støvet når maksimumsindikatoren i beholderen, skal støvbeholderen tømmes.

VIGTIGT: For at opnå optimal ydelse må støvet ikke nå højere end til maks.niveauet.

1. Sluk for støvsugerens ved at trykke på tænd/slukkknappen på støvsugerens hovedenhed [8], og træk strømledningen ud af stikkontakten.

* Kun til visse modeller

** Kan variere ifølge model

2. Løft udløsningshåndtaget til støvbeholderen, og fjern støvbeholderenheden fra støvsugerens. [12]
3. Hold støvbeholderen med den ene hånd, mens den anden hånd bruges til at trykke på udløsningsknappen på støvbeholderen. [13]
4. Luk støvbeholderen, og genmonter støvbeholderenheden på støvsugerens hovedenhed.

Rengøring af de vaskbare filtre

Støvsugerens har en blå filterpakke monteret. For at bevare den optimale rengøringsydelse skal filtrene regelmæssigt fjernes og bankes mod siden af skraldespanden for at frigive støv. Filtrene skal vaskes efter 5 tømninger af beholderen eller når filtrene indeholder større mængder støv.

VIGTIGT: Alle poseløse støvsuger kræver regelmæssig rensning af filtre. Hvis du ikke renser din filtre, kan det resultere i luftblokering, overophedning og beskadigelse af produktet. Dette kan gøre din garanti ugyldig.

VIGTIGT: Kontroller og vedligehold filtrene regelmæssigt.

VIGTIGT: Sørg altid for, at filterpakken er helt tør før brug.

Sådan får du adgang til for-motorfilteret:

1. Løft udløsningshåndtaget til støvbeholderen, og fjern støvbeholderenheden fra støvsugerens. [12]
2. Hold støvbeholderen med den ene hånd, mens den anden hånd bruges til at løfte låget på støvbeholderen, for at åbne støvbeholderen. [14]
3. Fjern forfilteret placeret på beholderens låg. [16]
4. Bank forsigtigt filteret og vask det. Brug ikke meget varmt vand eller rengøringsmidler. Fjern det overskydende vand fra filteret, og lad det tørre helt, før det genbruges. [19, 20]
5. Genindsæt forfilteret i beholderens låg, når det er helt tørt, og klargør støvsugerens.

Adgang til udblæsningsfilteret:

1. Afhægt dækslet til udblæsningsfiltret fra bagenden af støvsugerens hoveddel. [17]
2. Fjern udsugningsfilteret fra støvsugerens bagende. [18]
3. Bank filteret forsigtigt, og vask det med varmt vand. Brug ikke meget varmt vand eller rengøringsmidler. Fjern det overskydende vand fra filteret, og lad det tørre helt, før det genbruges. [19, 20]
4. Sæt udsugningsfilteret tilbage på støvsugerens bagende, når det er helt tørt og sæt dækslet til udsugningsfilteret på igen.

VIGTIGT: Produktet må ikke bruges uden filterpakken monteret.

Rengøring af støvbeholderen / separeringsenheden

Denne støvsuger bruger et adskillelsessystem og afdækningsrengøringsystem som er unikt for Hoover. Hvis det er nødvendigt, kan separeringsenheden afmonteres fra støvbeholderen og rengøres.

1. Løft udløsningshåndtaget til støvbeholderen, og fjern støvbeholderenheden fra støvsugerens. [12]
2. Hold støvbeholderen med den ene hånd, mens den anden hånd bruges til at løfte

låget på støvbeholderen, for at åbne støvbeholderlåget. [14]

3. Fjern adskillelsessystemet (inklusive det integrerede afdækningsrengøringsystem) fra støvbeholderen. [15]
4. Hvis nødvendigt, bruges en klud til at fjerne ekstra støv fra adskillelsessystemet (inklusive det integrerede afdækningsrengøringsystem).
5. Hold støvbeholderen ind under vandhanen. Skyl med lunken vand. Vask beholderens indvendige flader med vand. Man må IKKE bruge sæbemidler til afvaskning af filterbeholderens indvendige dele.
6. Saml alle de indvendige dele af støvbeholderen, og sørg for at de er tørre.
7. Luk støvbeholderens låg og genindsæt beholderen i støvsugeren.

Fjernelse af en tilstopning

1. Kontroller, om støvbeholderen er fuld. Hvis det er tilfældet, skal du se "Tømning af støvbeholderen".
2. Hvis støvbeholderen er tom, men suget stadig er lavt
 - A. Trænger filtrene til at blive rensede? Hvis det er tilfældet, skal du se "Rensning af de vaskbare filtre".
 - B. Kontrollér, om der er andre tilstopninger i systemet - Brug en stang eller lignende til at fjerne eventuelle tilstopninger fra forlængerrøret eller den bøjelige slange.
 - C. Kontroller, om for-motorfilteret er monteret.
 - D. Kontroller, om separeringsenheden skal renses. Se "Rengøring af separeringsenheden".

BRUGERENS CHECKLISTE

Hvis du får et problem med produktet, skal du udfylde denne enkle brugercheckliste, før du ringer til den lokale Hoover-service.

- Virker strømforsyningen til støvsugeren? Kontroller venligst på et andet elektrisk apparat.
- Er støvbeholderen overfyldt? Se venligst under "Vedligeholdelse af støvsugeren".
- Er filteret tilstoppet? Se "Rensning af filter".
- Er slangen eller mundstykket tilstoppet? Se "Sådan fjerner du en tilstopning fra systemet".
- Er støvsugeren overophedet? Hvis den er, vil det vare ca. 30 minutter at nulstille automatisk.

VIGTIGE OPLYSNINGER

HOOVER RESERVEDELE OG FORBRUGSSTOFFER

Udskift altid dele med ægte Hoover reservedele. Disse fås fra Hoovers reservedelsforhandler, check www.hoover.dk Når du bestiller dele, skal du altid opgive modelnummer.

Hoover-service

Hvis du ønsker service på dine produkter, skal du kontakte det lokale Hoover-servicekontor.

Kvalitet

BSI ISO 9001

Hoovers fabrikker er blevet vurderet uafhængigt for kvalitet. Vores produkter fremstilles med brug af et kvalitetssystem, der opfylder kravene i henhold til ISO 9001.

DIN GARANTI

Garantibetingelserne for dette apparat er som defineret af vores repræsentant i det land, hvor det er solgt. Oplysninger vedrørende disse betingelser kan indhentes hos den forhandler, apparatet er købt hos. Kvitteringen skal fremvises i forbindelse med ethvert krav under disse garantibetingelser.

Ret til ændringer uden varsel forbeholdes

INSTRUKSJONER FOR SIKKER BRUK

Dette apparatet må kun brukes til husrengjøring, og slik denne bruksanvisningen beskriver. Sørg for at denne veiledningene er forstått fullstendig før du bruker apparatet. Apparatet må ikke forlates mens det er tilkoblet strømmenettet. Slå alltid av apparatet og koble fra støpselet etter bruk samt før apparatet rengjøres eller vedlikeholdes.

Apparatet kan brukes av barn fra 8 år, og av personer med nedsatte fysiske, sanselige eller mentale evner, eller manglende erfaring og kunnskap, dersom de er under oppsyn eller har fått opplæring i sikker bruk av apparatet og forstår farene bruk av apparatet kan medføre. Barn skal ikke leke med apparatet.

Rengjøring og vedlikehold skal ikke utføres av barn uten oppsyn.

Bruken av apparatet må opphøre umiddelbart dersom strømledningen er skadet. Unngå sikkerhetsfarer ved å la en autorisert HOOVER-tekniker skifte ut strømledningen.

Hold hender, føtter, løse klær og hår unna roterende børster. Bruk kun tilbehør, forbruksvarer eller reservedeler som anbefales eller leveres av HOOVER.

Statisk elektrisitet: Noen tepper kan forårsake små dannelser av statisk elektrisitet. Utladning av statisk elektrisitet er ikke helseskadelig.

Du må ikke bruke apparatet utendørs, på våte overflater eller til å støvsuge væske.

Du må ikke støvsuge harde eller skarpe objekter, varm aske, sigarettneiper eller andre liknende gjenstander.

Apparatet må ikke utsettes for eller støvsuge opp brennbare væsker, rengjøringsmidler, aerosoler eller damp fra slike væsker.

Unngå å kjøre over ledningen eller trekke ut støpselet under bruk.

All bruk av apparatet må opphøre hvis det viser tegn på feilfunksjon.

Du må ikke stå på ledningen eller la den vikle seg rundt

armene eller bena dine under bruk.

Du må ikke bruke apparatet til å rengjøre dyr eller mennesker. Apparatet må ikke være plassert ovenfor deg under rengjøring av trapper.

HOOVER-service: For å sikre at apparatet fortsetter å fungerer på en trygg og effektiv måte, anbefaler vi at service- og reparasjonsarbeid kun utføres av autoriserte HOVER-teknikere.

Miljøet

Symbolet på dette apparatet indikerer at det ikke kan betraktes som husholdningsavfall. Ved avhending må apparatet overleveres til en egnet miljøstasjon for resirkulering av elektrisk og elektronisk utstyr. Avhendingen må gjennomføres i samsvar med lokale miljøforskrifter for avfallshåndtering. Du kan få mer detaljert informasjon om avfallsbehandling, gjenvinning og resirkulering av dette apparatet ved å ta kontakt med vårt nærmeste lokalkontor, renovasjonsetaten eller forretningen du kjøpte apparatet hos.



Dette apparatet er i overensstemmelse med EU-direktivene 2014/35/EU, 2014/30/EU og 2011/65/EU.

CANDY HOOVER GROUP S.r.l. Via Privata Eden Fumagalli, 20861 Brugherio (MB) Italy

BLI KJENT MED STØVSUGEREN DIN

- | | |
|---|--|
| A. Støvbeholderinnretning | P2. Teleskoprør med sikker tilkobling* |
| B. Rengjøringsapparatets hoveddel | Q. Avgassfilter |
| C. Parkeringsspor | R. Tilbehørsholder* |
| D. På/av-knapp for strømkontroll | S. Munnstykke til teppe og gulv (GP)** |
| E. Ledningspoleknapp | Sa. Teppe- og gulvdyse med sikker tilkobling* |
| F. Åpningsbryter til støvbeholder | Sb. Gulvtypevelger |
| G. Frigjøringshåndtak til støvbeholder | Sc. Regulator for dysesuging* |
| H. Lokk til støvbeholder | T. Pre-motor filter |
| I. Separasjonssystem med integrert Shroud-rensesystem | U. Munnstykke til teppe og gulv (GP)** |
| J. Sjøppelbøtte | Ua. Gulvtypevelger |
| K. Utløserknapp for støvbeholderklaff | V. Møbelverktøy* |
| L. Slange | W. flatt munnstykke,* |
| M. Avansert komforthåndtak med mykt grep, sugekraftregulator og integrerte tilbehør (Se M1**) | X. Langt to-i-eitt-verktøy* |
| M1. Integrert tilbehør: Innebygget kløftverktøy, Støvbørste og møbelverktøy | Y. Avansert møbeldyse* |
| N. Intelligent håndtak med integrert støvbørste** | Z. Pelsdyse med miniturbo og dobbel virkning* |
| N1. Integrert støvbørste* | AA. Allergendyse med miniturbo og dobbel virkning* |
| O. Regulator for håndtaksugekraft** | AB. Ekstra munnstykke for parkett* |
| P. Teleskoprør** | AC. Ekstra skånsom dyse for parkett* |
| P1. Teleskoprørjustering** | AD. Tilbehørssett til bil*:
a. Pose med tilbehør
b. Stor støvbørste
c. XL fleksibelt sprekkmunnstykke |

SLIK SETTER DU SAMMEN RENGJØRINGSAPPARATET

Fjern alle komponenter fra emballasjen.

1. Koble slangen til støvsugerens hoveddel, og påse at den smetter på plass og låses fast. For å utløse: trykk inn de knappene på slangen og trekk. [1]
2. Koble slanghåndtaket** til den øvre enden av forlengelsesrøret, eller tilbehør* hvis nødvendig. [2]
3. Koble forlengelsesrørets nedre del til teppe- og gulvmunnstykket** [3], eller tilbehør*, hvis nødvendig.
4. Støvsugerens tilbehørsutstyr kan lagres* etter bruk på undersiden av forlengelsesrøret ved å bruke tilbehørsholderen som medfølger*.

* Bare enkelte modeller ** Kan variere fra modell til modell

BRUK AV APPARATET

1. Trekk ut strømledningen og sett den inn i stikkkontakten. Ikke trekk ledningen utover det røde merket. [6]
2. Juster lengden til teleskoprøret ved å flytte teleskoprørjusteringen** opp og heve eller senke slangehåndtaket til den mest komfortable rengjøringsposisjonen. [5]
3. Munnstykke til teppe og gulv**. Trykk pedalen på munnstykket [4] for å velge ideell rensmodus for gulvtypen.
Hardt gulv: Børstene senkes for å beskytte gulvet
Teppe: Med hevede børster for dypest mulig rengjøring.

Munnstykke til teppe og gulv**: [4]

- **Rengjøring av hardt gulv:** Trykk på pedalen for gulvtypevalg på dysen på Hardt gulv-modus og juster regulatoren for dysesugekraften til åpen [4a] eller lukket [4b] posisjon for mest mulig komfortabel rengjøringsposisjon. I denne posisjonen er børstene senket for å beskytte harde gulv.
- **Tepperengjøring:** Trykk på pedalen for gulvtypevalg på dysen på Teppe-modus og juster den normale dysesugekraften til åpen posisjon. I denne posisjonen er børstene hevet for en dypere rengjøring av teppet. [4c] Det er foreslått å åpne regulatoren for dysesugekraften på teppe for å gli bedre.
- 4. Slå på støvsugerens ved å trykke på på/av-knappen på støvsugerens hoveddel. [8]
- 5. **Fast strømkontroll*** - Støvsugerens styres med faste strømstillingen.

Avansert komforthåndtak med integrerte tilbehør:** [M, M1]

- **Innebygget kløftverktøy:** Håndtakenden til slangen kan brukes som kløftverktøy for å komme til på trange steder.
- **Møbelverktøy:** Trykk på sperrehakene på begge sider av håndtaket og skyv ned for å frigjøre møbelverktøyet som du kan bruke til å rengjøre myke overflater og tekstiler (gardiner, møbeltrekk).
- **støvbørste:** Trykk på sperrehakene på begge sider av håndtaket og skyv ned, før du skyver glidebryteren til enden for å frigjøre den innebygde støvbørsten. Ideell for harde overflater (bokhyller, tastatur, gulvlist).
- **Sugeregulator**:** Juster sugekraften ved å åpne og lukke luftventilen på håndtaket. [9, O**]

Intelligent håndtak**: [N,N1]

- **Sugeregulator** [O]:** Juster sugekraften ved å åpne eller lukke luftventilen på håndtaket.
- **støvbørste:** Den er integrert direkte under slangehåndtaket.
- 6. Slå av etter bruk ved å trykke på på/av-knappen på rengjøringsapparatets hovedkomponent. Koble fra og trekk inn strømledningen ved å trykke på ledningspoleknappen.
- 7. Parkering og lagring - Røret kan bli parkert for midlertidig lagring mens det er i bruk, eller i lagringsposisjon når det ikke er i bruk. [11]

TILBEHØR

For å oppnå optimal ytelse og energieffektivitet anbefales det at det brukes riktig munnstykke for de største rengjøringsjobbene. Munnstykkene indikeres i diagrammene med bokstavene **GP**, **HF** eller **CA**.

Et **GP**-munnstykke kan brukes til å støvsuge både tepper og harde gulv.

Et **HF**-munnstykke egner seg kun for bruk på harde gulv.

Et **CA**-munnstykke egner seg kun for bruk på tepper.

De andre munnstykkene er tilbehør for spesialiserte rengjøringsjobber. Det anbefales kun å bruke disse til spesialiserte oppgaver.

Alt tilbehør kan monteres på enden av håndtaket* eller enden på røret.

Tilbehørssett**:

flatt munnstykke, – til hjørner og steder som er vanskelige å komme til.

møbelmunnstykke, – Til myke møbler og tekstiler.

støvbørste – for bokhyller, rammer, tastatur og andre ømfintlige områder.

Pelsdyse med dobbel virkning* [Z] – Bruk miniturbomunnstykket i trapper eller for dyp rengjøring av tekstiler og andre områder som er vanskelige å rengjøre. Er spesielt godt egnet til fjerning av dyrehår.

Allergendyse med dobbel virkning* [AA] – Bruk miniturbomunnstykket i trapper eller for dyp rengjøring av tekstiler og andre områder som er vanskelige å rengjøre, spesielt egnet for fjerning av allergener.

Ekstra skånsom og skånsom dyse for parkett* [AC,AB] – for parkettgulv og andre ømtålige gulv.

Langt to-i-ett-verktøy* [X] – Kløftverktøy og støvbørste - Muliggjør rengjøring av områder som er vanskelige å nå, som bokhyller og høye hjørner.

VIKTIG: Ikke bruk turbo- og miniturbomunnstykkene på tepper med lange frynser, dyreskinn eller på tepper med en tråddybde på mer enn 15 mm. Ikke la kraftmunnstykket stå stille mens børsten roterer.

Tilbehørssett til bil* [AD]:

XL fleksibelt sprekkmunnstykke* – Ideell for bilvask Dens lengde gjør det mulig å rengjøre på steder det vanskelig å komme til, slik som smale sprekker.

Stor støvbørste med innebygget møbelbørste* – egnet til å rengjøre de myke & delikate overflatene til både bil og hjem.

Pose med tilbehør* – for en ryddig lagring av tilbehør.

VEDLIKEHOLD AV STØVSUGEREN

Tømme støvbeholderen

Når støvet når indikatoren for maksimalnivået i beholderen må støvbeholderen tømmes.

VIKTIG: For å vedlikeholde optimal ytelse, ikke la støvmengden komme høyere opp enn maksimalnivået.

1. Slå rengjøringsapparatet av ved å trykke på på/av-knappen på rengjøringsapparatets

* Bare enkelte modeller

** Kan variere fra modell til modell

- hovedkomponent [8], og koble fra strømkabelen.
- Løft frigjøringshåndtaket til støvbeholderen og fjern støvbeholdersammenstillingen fra rengjøringsapparatet. [12]
- Hold støvbeholderen med en hånd og trykk på støvbeholderklaffens frigjøringsknapp med den andre. [13]
- Lukk støvbeholderklaffen og sett støvbeholdersammenstillingen tilbake på plass på rengjøringsapparatets hovedkomponent.

Rengjøre de vaskbare filterene

Støvsugeren er montert med en blå filterpakke. For å oppnå optimal rengjøring regelmessig, fjern filterene og bank forsiktig mot siden av en søppelbøtte for å frigjøre støvet. Filterene skal vaskes for hver femte tømning av beholderen, eller når filteret har ekstra mye støv.

VIKTIG: Alle poseløse rengjøringsmaskiner trenger regelmessig rens av filterene. Manglende rengjøring av filterene kan resultere i tilstopping av luft, overopphetning og produktsvikt. Dette kan gjøre garantien ugyldig.

VIKTIG: Jevnlig kontroller og oppretthold filterene.

VIKTIG: Påse alltid at filterpakken er fullstendig tørr før bruk.

For å få tilgang til Pre-Motor filteret:

- Løft frigjøringshåndtaket til støvbeholderen og fjern støvbeholdersammenstillingen fra rengjøringsapparatet. [12]
- Hold støvbeholderen med en hånd og løft støvbeholderlokkets åpningsbryter for å åpne beholderlokket. [14]
- Fjern pre-motor-filteret i beholderlokket. [16]
- Bank forsiktig på og vask pre-motor-filteret. Ikke bruk for varmt vann eller vaskemidler. Tørk bort overflødig vann fra filteret, og la det tørke helt før du bruker det på nytt. [19, 20]
- Monter pre-motor-filteret til støvbeholderlokket straks det er blitt helt tørt og sett det tilbake på støvsugeren.

Gjør følgende for å få tilgang til utsugingsfilteret:

- Løsne utslippsfilterdekselet fra baksiden av rengjøringsapparatets hoveddel. [17]
- Ta utslippsfilteret ut fra rengjøringsapparatets bakside. [18]
- Bank forsiktig på filteret og vask det med varmt vann. Ikke bruk for varmt vann eller vaskemidler. Tørk bort overflødig vann fra filteret, og la det tørke helt før du bruker det på nytt. [19, 20]
- Sett utslippsfilteret tilbake på baksiden av rengjøringsapparatet så snart det er helt tørt, og sett utslippsfilterdekselet tilbake på plass.

VIKTIG: Ikke bruk produktet uten montert filterpakke.

Rengjøre støvbeholderen / separasjonsenheten

Dette rengjøringsapparatet bruker et separasjonssystem og et shroud-rengjøringsystem som er unikt for Hoover. Separasjonsenheten kan fjernes fra støvbeholderen og rengjøres.

- Løft frigjøringshåndtaket til støvbeholderen og fjern støvbeholdersammenstillingen fra rengjøringsapparatet. [12]

2. Hold støvbeholderen med en hånd og løft støvbeholderlokkets åpningsbryter for å åpne støvbeholderlokket. **[14]**
3. Fjern separasjonssystemet (inkludert det integrerte shroud-rengjøringsystemet) fra støvbeholderen. **[15]**
4. Etter behov kan du bruke en klut til å fjerne støv fra separasjonssystemet (inkludert det integrerte shroud-rengjøringsystemet).
5. Plasser støvbeholderen under kranen. Skyll med lunkent vann. Vask bare med vann på innsiden av støvbeholderen. **IKKE BRUK såpe eller rengjøringsmidler til å vaske innsiden av støvbeholderen.**
6. Monter den interne komponenten på støvbeholderen, mens du ser til at alle komponenter er tørre.
7. Lukk støvbeholderlokket og monter støvbeholderinnretningen på støvsuger.

Fjerne en tilstopping

1. Kontroller om støvbeholderen er full. Hvis det er tilfellet, sjekk "Tømme støvbeholderen".
2. Hvis støvbeholderen er tom men sugkraften er dårlig:
 - A. Trenger filteret å bli rensset? Hvis det er tilfellet, sjekk "Rense de vaskbare filterene".
 - B. Kontroller om det finnes andre tilstoppinger i systemet - bruk en stake eller annen lang gjenstand til å fjerne tilstoppingen fra røret eller slangen.
 - C. Kontroller om premotorfilteret er montert.
 - D. Kontroller om separasjonsenheten trenger å rengjøres. Se kapittelet "Rengjøre separasjonsenheten".

SJEKKLISTE FOR BRUKER

Hvis du har problemer med produktet, går du gjennom denne enkle kontrollisten før du ringer ditt lokale Hoover-servicekontor.

- Får støvsugeren tilført strøm? Prøv å koble annet elektrisk utstyr til stikkkontakten.
- Er støvbeholderen overfylt? Vennligst sjekk "Vedlikehold av Støvsugeren".
- Er filteret blokkert? Se 'Rengjøring av filteret'.
- Er slangen eller munnstykket blokkert? Vennligst sjekk "Fjerne en blokkering fra systemet".
- Har støvsugeren blitt overopphetet? Hvis det er tilfellet vil det ta omtrent 30 minutter før den blir automatisk nullstilt.

VIKTIG INFORMASJON

ORIGINALDELER FRA HOOVER

Bruk alltid originale deler fra Hoover. Disse er tilgjengelige fra din lokale Hoover-forhandler eller direkte fra Hoover. Når du bestiller deler, må du alltid oppgi modellnummeret ditt.

Hoover-service

Hvis du på noe tidspunkt skulle trenge service, ber vi deg kontakte ditt lokale Hoover-servicekontor.

Kvalitet

BSI ISO 9001

Hoovers fabrikker har blitt uavhengig kvalitetsvurdert. Våre produkter produseres ved å bruke et kvalitetssystem som er i samsvar med ISO 9001.

DIN GARANTI

Garantibetingelsene for dette apparatet er som definert av vår representant i det landet der det ble solgt. Detaljer vedrørende disse betingelsene fås fra forhandleren der apparatet ble kjøpt. Salgskvitteringen må fremvises ved fremsetting av krav under betingelsene i denne garantien..

Kan endres uten forvarsel.

INSTRUKTIONER FÖR SÄKER ANVÄNDNING

Som beskrivs i denna bruksanvisning, får denna apparat endast användas vid städning av hemmet. Se till att du förstår anvisningarna helt innan du börjar använda maskinen.

Lämna aldrig denna apparat inkopplad. Stäng alltid av apparaten och dra ut kontakten ur vägguttaget efter användning eller innan rengöring av produkten eller utföring av en underhållsåtgärd.

Den här apparaten kan användas av barn från 8 års ålder och personer med en nedsatt fysisk, sensorisk eller mental förmåga och som inte har den erfarenhet och kunskaper som behövs, förutsatt att de övervakas eller har fått instruktioner om hur apparaten används på ett säkert vis och förstår riskerna som är involverade. Barn får inte leka med apparaten.

Rengöring och underhåll som användaren ska utföra, får inte göras av barn utan överinseende.

Om nätsladden är skadad, sluta då omedelbart att använda produkten. För att undvika en säkerhetsrisker, måste en auktoriserad servicetekniker från HOOVER byta nätsladden. Håll händer, fötter, lösa klädesplagg och hår borta från roterande borstar.

Använd endast tillbehör, förbrukningsartiklar eller reservdelar som rekommenderas eller levererats av HOOVER.

Statisk elektricitet: Vissa mattor kan orsaka att lite statisk elektricitet byggs upp. Elektrostatiske urladdningar är inte hälsofarliga.

Använd inte apparaten utomhus eller på något vått underlag eller för våtupptagning.

Dammsug inte hårda eller vassa föremål, tändstickor, het aska, fimpar eller andra liknande föremål.

Plocka inte upp eller spraya med brandfarliga vätskor, rengöringsmedel, aerosoler eller ångor.

Kör inte över sladden när du använder apparaten eller dra ut kontakten genom att dra i sladden.

Fortsätt inte att använda apparaten om den verkar defekt.

Stå inte på sladden eller vira den runt armar eller ben när du

använder apparaten.

Använd inte apparaten för att rengöra djur eller människor. Placera inte apparaten ovanför dig när du rengör trappor.

HOOVER service: För att säkerställa en fortsatt säker och effektiv drift av denna apparat rekommenderar vi att service eller reparationer endast utförs av en auktoriserad servicetekniker från HOOVER.

Miljön

Symbolen på apparaten indikerar att denna produkt inte får behandlas som hushållsavfall. Den måste i stället lämnas in på uppsamlingsplats för återvinning av elektrisk och elektronisk utrustning. Avfallshanteringen ska utföras enligt de lokala miljöbestämmelserna. För mer information om hantering, återvinning och återanvändning av denna produkt, kontakta din kommun, lokala myndigheter och renhållningsverk eller den butik där du köpte apparaten.



Denna apparat uppfyller de europeiska direktiven 2014/35/EU, 2014/30/EU och 2011/65/EU.

CANDY HOOVER GROUP S.r.l. Via Privata Eden Fumagalli, 20861 Brugherio (MB) Italy

LÄRA KÄNNA DIN ÅNGRENGÖRARE

- | | |
|--|--|
| A. Dammbehållare | Q. Utblåsningsfilter |
| B. Huvuddel | R. Tillbehörshållare* |
| C. Parkeringshake | S. Matt- och golvmunstycke (GP)** |
| D. AV / På / Strömbrytare | Sa. Munstycke för matta och |
| E. Knapp för sladdrulle | golv med säker anslutning* |
| F. Dammbehållarens lock för öppning | Sb. Golvtypväljare |
| G. Dammbehållarens frigöringshandtag | Sc. Munstyckets sugreglerare* |
| H. Dammbehållarens lock | T. Förmotorfilter |
| I. Separationssystem med integrerat | U. Matt- och golvmunstycke (GP)** |
| höljesrengöringssystem | Ua. Golvtypväljare |
| J. Dammbehållare | V. Munstycke för möbler* |
| K. Frigöringsknapp för dammbehållarklaffen | W. Verktyg för springor* |
| L. Slang | X. Långt 2-i-1 verktyg* |
| M. Handtag för avancerad komfort | Y. Avancerat möbelmunstycke* |
| med mjukt grepp, sugregulator och | Z. Mini-turbomunstycke för |
| integrerade tillbehör (Se M1**) | uppsugning av päls* |
| M1. Inbyggda tillbehör: Inbyggt | AA. Mini-turbomunstycke för |
| fogmunstycke, Dammborste | uppsugning av allergen* |
| och munstycke för möbler | AB. Parkettmunstycke Extra* |
| N. Intelligent handtag med | AC. Munstycke för extra försiktighet |
| integrerad dammborste** | med parkettgolv* |
| N1. Integrerad dammborste* | AD. Tillbehör för bilsats: |
| O. Handtagssugregulator** | a. Tillbehörspåse |
| P. Teleskoprör** | b. Stor dammborste |
| P1. Teleskoprörsreglage** | c. XL flexibel verktyg för små öppningar |
| P2. Teleskoprör med säker anslutning* | |

SÄTTA IHOP ÅNGRENGÖRAREN

Ta ur alla delar ur förpackningen.

1. Koppla i slangen i dammsugarkroppen och se till så att den knäpper i läge. För att ta loss: Tryck bara ned de knapparna på slangänden och dra. [1]
2. Anslut slanghandtaget** till änden av det övre förlängningsröret eller tillbehör* vid behov. [2]
3. Koppla förlängningsrörets nedre ände till matt- och golvmunstycket** [3] eller tillbehör* om så krävs.
4. Rengöringstillbehören kan efter användning förvaras* på undersidan av förlängningsröret med hjälp av tillhandahållen tillbehörshållare*.

* Endast vissa modeller ** Kan variera beroende på modell

ANVÄNDA PRODUKTEN

1. Dra ur nätsladden och koppla in den i ett vägguttag. Dra inte ut sladden längre än till den röda markeringen. [6]
2. Justera längden på teleskopröret genom att flytta teleskoprörjusteraren** uppåt och höja eller sänka slanghandtaget till det bekvämaste rengöringsläget. [5]
3. Matt- och golvmunstycke**. Välj det bästa rengöringsläget för den aktuella golvtypen genom att trycka på pedalen på munstycket [4].
Hårt golv: Borstarna sänks ned för att skydda golvet.
Matta: Borstarna dras upp för att ge djup rengöring.

Matt- och golvmunstycke:** [4]

- **Rengöring av hårda golv:** Tryck ned golvväljarpedalen på munstycket i hårt golvläge och justera munstyckets sugregulator till öppet [4a] eller stängt [4b] läge för den bekvämaste rengöringspositionen. I detta läge sänks borstarna ned för att skydda hårda golv.
 - **Mattrengöring:** Tryck ned golvväljarpedalen på munstycket i mattläge och justera munstyckets sugregulator till öppen position. I den här positionen lyfts borstarna upp för en djupare rengöring av mattan. [4c] Vi rekommenderar att du öppnar munstyckets sugregulator på mattan för att möjliggöra bättre glidning.
4. Slå på dammsugaren med På/av-knappen på dammsugarkroppen. [8]
 5. **Fast Ström kontroll*** - Dammsugaren kommer att arbeta med en fast effekt.

Handtag för avancerad komfort med integrerade tillbehör:** [M, M1]

- **Inbyggt fogmunstycke:** Änden hos slangens handtag kan användas som ett munstycke för att dammsuga i trånga utrymmen.
- **Munstycke för möbler:** Tryck på spärrarna på båda sidorna av handtaget och dra den nedåt för att ta fram munstycket för möbler och dammsuga mjuka ytor samt textilier (gardiner, hemtextiler).
- **Dammborste:** Tryck på spärrarna på båda sidorna av handtaget och dra den nedåt, tryck därefter reglaget till slutet för att ta fram den inbyggda dammborsten. Ideal för hårda ytor (bokhyllor, tangentbord, golvlistor).
- **Sugreglerare**:** Justera suget genom att öppna eller stänga luftventilen på handtaget. [9, O**]

Intelligent handtag:** [N,N1]

- **Sugreglerare**** [O]: Justera sugkraften genom att öppna eller stänga luftventilen på handtaget.
 - **Dammborste:** Den är integrerat direkt under slanghandtaget.
6. Stäng av vid slutet av användningen genom att trycka på På/Av-knappen på dammsugarens huvuddel. Koppla bort och dra in strömsladden genom att trycka på knappen för sladdrullen.
 7. Parkering och förvaring - Röret kan parkeras för tillfällig förvaring medan det används, eller i förvaringsläge när det inte används. [11]

TILLBEHÖR

För att uppnå bästa prestanda och energieffektivitet rekommenderas det att rätt munstycke används för de huvudsakliga städarbetena. Dessa munstycken visas i diagrammen med beteckningarna **GP**, **HF** och **CA**.

Ett munstycke av typen **GP** kan användas till att rengöra både mattor och hårda golv.

Ett munstycke av typen **HF** är endast lämpligt för användning på hårda golv.

Ett munstycke av typen **CA** är endast lämpligt för användning på mattor. De andra munstyckena är tillbehör för specialrengöring och rekommenderas endast för enstaka rengöringstillfällen.

Alla tillbehör kan fästas vid änden av handtaget eller änden* av det teleskopiska röret.

Tillbehörssats**:

Verktyg för springor – För hörn och svåråtkomliga utrymmen.

Möbelmunstycke – För mjuka möbler och textil.

Dammborste – För bokhyllor, ramar, tangentbord och andra känsliga utrymmen.

Dubbelt munstycke för uppsugning av päls* [Z] – Använd miniturbomunstycket i trappor eller för djuprengöring av textilytor och andra svårrengjorda ytor. Särskilt lämpligt för borttagning av djurhår.

Dubbelt munstycke för uppsugning av allergen* [AA] – Använd miniturbomunstycket i trappor eller för djuprengöring av textilytor och andra svårrengjorda ytor. Det är särskilt lämpligt för allergenborttagning.

Munstycke för extra försiktighet med parkettgolv och munstycke för parkettgolv* [AC,AB] – För parkettgolv och andra känsliga golv.

Långt 2-i-1 verktyg* [X] – Fogmunstycke och dammborste - Den gör det möjligt att rengöra på svåråtkomliga platsen som bokhyllor och höga hörn.

VIKTIGT: Använd inte turbo- och miniturbomunstycket på mattor med långa fransar, djurfällar eller mattor med högre lugg än 15 mm. Håll inte drivmunstycket stilla medans borstarna roterar.

Tillbehör för bilsats* [AD]:

XL flexibelt verktyg för små öppningar* – Perfekt för bilstädning. Längden underlättar städning av utrymmen som är svåra att nå och små springor.

Stor dammborste med integrerat möbelmunstycke* – passar för städning av mjuka och fina ytor både i bilen och i hemmet.

Tillbehörspåse* – för proper förvaring av alla tillbehör.

UNDERHÅLL AV DAMMSUGAREN

Tömma dammbehållaren

Töm dammbehållaren när dammet når maxnivån.

VIKTIGT: För att bibehålla optimal kapacitet får dammet inte överskrida maxnivån.

1. Stäng av dammsugaren genom att trycka på På/Av-knappen på dammsugarens huvuddel [8] och koppla bort strömkabeln.

* Endast vissa modeller

** Kan variera beroende på modell

2. Lyft på dammbehållarens frigöringshandtag och ta bort dammbehållaren från dammsugaren. [12]
3. Håll i dammbehållaren med ena handen och tryck på dammbehållarens flikfrigöringsknapp med den andra handen. [13]
4. Stäng dammbehållarens flik och sätt tillbaka dammbehållaren på dammsugarens huvuddel.

Rengöra de tvättbara filtren

Dammsugaren har en blå filtersats. För att bibehålla det optimala rengöringskapaciteten bör du regelbundet ta bort filtren och knacka dem mot soptunnans innerkant för att få bort damm. Filtren ska tvättas var 5:e gång du tömmer behållaren eller när filtren blir för dammiga.

VIKTIGT: Filtren måste rengöras regelbundet på alla påslösa dammsugare. Om filtren inte rengörs kan detta leda till att luften blockeras, överhettning och produktfel. Dessutom kan garantin upphöra att gälla.

VIKTIGT: Kontrollera och underhåll filtren regelbundet.

VIKTIGT: Se alltid till att filtersatsen är helt torr innan du använder den.

Så här kommer du åt förmotorfiltret:

1. Lyft på dammbehållarens frigöringshandtag och ta bort dammbehållaren från dammsugaren. [12]
2. Håll i dammbehållaren med ena handen och lyft på dammbehållarens lock för öppning för att öppna behållarlocket. [14]
3. Ta bort förmotorfiltret i behållarens lock. [16]
4. Knacka försiktigt på förmotorfiltret och tvätta det. Använd inte hett vatten eller rengöringsmedel. Ta bort överflödigt vatten från filtret och låt det torka helt innan du använder det igen. [19, 20]
5. Sätt tillbaka förmotorfiltret i dammbehållarens lock när det har torkat helt och fäst det sedan på dammsugaren.

Så här kommer du åt utblåsningsfiltret:

1. Haka loss skyddet för utblåsningsfiltret bak på dammsugarens kropp. [17]
2. Avlägsna utblåsningsfiltret bak på dammsugaren. [18]
3. Knacka försiktigt och tvätta filtret med hjälp av varmt vatten. Använd inte hett vatten eller rengöringsmedel. Ta bort överflödigt vatten från filtret och låt det torka helt innan du använder det igen. [19, 20]
4. Sätt tillbaka utblåsningsfiltret bak på dammsugaren när det är helt torrt och sätt tillbaka skyddet för utblåsningsfiltret.

VIKTIGT: Använd inte produkten utan filtersatsen.

Rengöring av dammbehållaren/separationsenheten

Denna dammsugare använder ett separationssystem och höljesrengöringssystem som är unikt för Hoover. Om det är nödvändigt kan separationsenheten monteras bort från dammbehållaren och rengöras.

1. Lyft på dammbehållarens frigöringshandtag och ta bort dammbehållaren från dammsugaren. [12]

2. Håll i dammbehållaren med ena handen och lyft på dammbehållarens lock för öppning för att öppna dammbehållarlocket. **[14]**
3. Ta bort separationssystemet (inklusive det integrerade höljesrengöringssystemet) från dammbehållaren. **[15]**
4. Använd vid behov en trasa för att ta bort alltför mycket damm från separationssystemet (inklusive det integrerade höljesrengöringssystemet).
5. Placera dammbehållaren under vattenkranen. Skölj med ljummet vatten. Tvätta insidan av behållaren med enbart vatten. ANVÄND INTE tvålbaserade rengöringsmedel för att tvätta behållarens insida.
6. Återmontera den interna delen i dammbehållaren och se till att alla delar är torra.
7. Stäng dammbehållarens lock och sätt tillbaka dammbehållaren på dammsugaren.

Åtgärda stopp

1. Kontrollera om dammbehållaren är full. Gå i så fall till "Tömma dammbehållaren".
2. Om dammbehållaren är tom, men suget är ändå lågt:
 - A. Behöver filtren rengöras? Gå i så fall till avsnittet "Rengöra de tvättbara filtren".
 - B. Kontrollera om det är något annat stopp i systemet. - Använd en stång eller liknande för att ta bort det som eventuellt blockerar teleskopröret eller den böjliga slangen.
 - C. Kontrollera att förmotorfiltret sitter på plats.
 - D. Kontrollera om separationsenheten behöver rengöras. Se "Rengöra separationsenheten".

CHECKLISTA FÖR ANVÄNDAREN

Om du har ett problem med produkten, slutför denna enkla checklista för användare, innan du ringer ditt lokala HOOVER servicekontor.

- Har dammsugaren tillgång till fungerande strömförsörjning? Kontrollera genom att koppla in en annan eldriven apparat.
- Är dammbehållaren överfylld? Se "Underhåll av dammsugaren".
- Är filtret igensatt? Se 'Rengöring av filter'.
- Är slangen eller munstycket igensatt? Se "Ta bort ett stopp i systemet".
- Är dammsugaren överhettad? Om så är fallet tar det cirka 30 minuter för en automatisk återställning.

VIKTIG INFORMATION

HOOVER RESERVDelar OCH FÖRBRUKNINGSVAROR

Använd alltid originaldelar från Hoover vid byte. Du kan beställa delar från närmaste Hoover-återförsäljare eller direkt från Hoover. Uppge alltid modellnummer när du beställer delar.

Hoover-service

Kontakta ditt närmaste Hoover-servicekontor om du behöver service.

Kvalitet

BSI ISO 9001

Hoovers fabriker har kvalitetsbedömts av oberoende organisationer. Våra produkter tillverkas enligt ett kvalitetssystem som uppfyller kraven för ISO 9001.

DIN GARANTI

Garantivillkoren för produkten definieras av vår representant i det land där produkten säljs. Du kan få uppgifter om aktuella villkor från återförsäljaren. Kvittot måste visas upp när man kräver ersättning enligt garantin.

Specifikationerna kan ändras utan föregående meddelande.

OHJEET TURVALLISTA KÄYTTÖÄ VARTEN

Tämä laite on tarkoitettu ainoastaan kotikäyttöön tämän käyttöoppaan kuvaamalla tavalla. Tutustu tähän käyttöoppaaseen huolellisesti ennen laitteen käyttöä.

Älä jätä laitetta kytketyksi virtaan. Kytke laitteesta virta ja irrota virtajohto virtalähteestä aina käytön jälkeen ja ennen kuin puhdistat laitteen tai teet huoltotoimenpiteitä.

Tätä laitetta voivat käyttää yli 8-vuotiaat lapset ja henkilöt joilla on vähentynyt fyysinen, aistillinen tai henkinen kyky tai joilla ei kokemusta tai tietoja, mikäli heille on annettu ohjausta ja valvontaa koskien laitteen turvallista käyttöä ja ymmärtävät käyttöön liittyvät vaaratekijät. Lapset eivät saa leikkiä laitteella.

Käyttäjän suorittamaa puhdistusta ja huoltoa ei tule suorittaa lasten toimesta ilman valvontaa.

Lopeta laitteen käyttö välittömästi, jos virtajohto on vahingoittunut. Turvallisuusriskin välttämiseksi valtuutetun Hoover-huoltoliikkeen tulee vaihtaa virtajohto.

Pidä kädet, jalat, löysät vaatteet ja hiukset poissa pyörivistä harjoista.

Käytä ainoastaan Hooverin toimittamia tai suosittelemia kiinnityskappaleita, lisävarusteita tai varaosia.

Staattinen sähkö: Joihinkin mattoihin voi kertyä staattista sähköä. Staattisen sähköpurkaus ei ole vaarallinen terveydelle. Älä käytä laitettasi ulkona tai märällä alustalla. Älä imuroi nesteitä.

Älä imuroi kovia tai teräviä esineitä, tulitikkuja, kuumaa tuhkaa, tupakantumppeja tai muita vastaavia esineitä.

Älä ruiskuta laitteelle tai imuroi laitteella syttyviä nesteitä, puhdistusnesteitä, aerosoleja tai näiden höyryjä.

Älä aja laitteella verkkojohdon yli tai irrota pistoketta pistorasiasta johdosta vetämällä.

Älä käytä laitetta, jos se vaikuttaa vialliselta.

Älä seiso johdon päällä tai kierrä sitä käsien tai jalkojen ympärille laitetta käyttäessäsi.

Älä käytä laitetta ihmisten tai eläinten puhdistamiseen.

Älä aseta laitetta yläpuolellesi, kun imuroit portaita.

HOOVER-huolto Laitteen käyttöturvallisuuden ja tehokkaan toiminnan varmistamiseksi huolto ja korjaukset kannattaa antaa valtuutetun Hoover-huoltoliikkeen tehtäväksi.

Ympäristö

Tässä laitteessa oleva symboli osoittaa, että laitetta ei saa hävittää kotitalousjätteenä. Se täytyy luovuttaa sähkö- ja elektroniikkalaitteiden keräyspisteeseen kierrätystä varten. Hävittäminen on suoritettava paikallisten jätteiden hävittämistä koskevien ympäristösäännösten mukaisesti. Saat lisätietoja tämän laitteen käsitlemisestä, hyötykäytöstä ja kierrätyksestä paikallisilta viranomaisilta, kotitalouksien ja muiden jätteiden jätehuollosta tai liikkeestä, josta ostit laitteen.



Tämä laite on EU:n direktiivien 2014/35/EU, 2014/30/EU ja 2011/65/EU mukainen.

CANDY HOOVER GROUP S.r.l. Via Privata Eden Fumagalli, 20861 Brugherio (MB) Italy

LAITTEESEEN TUTUSTUMINEN

- | | |
|---|--|
| A. Pölysäiliön asennus | Q. Poistoilmansuodatin |
| B. Imurin runko | R. Lisätarvikkeen kiinnitin* |
| C. Kiinnitysura | S. Matto- ja lattiasuulake (GP)** |
| D. Virtakatkaisin | Sa. Matto- ja lattiasuuttimen liitäntä* |
| E. Johdon kelauspainike | Sb. Lattiatyyppin valitsin |
| F. Pölysäiliön kannen avausalpa | Sc. Suuttimen imutehon säädin* |
| G. Pölysäiliön vapautuskahva | T. Moottorin edessä oleva suodatin |
| H. Pölysäiliön kansi | U. Matto- ja lattiasuulake (GP)** |
| I. Erotusjärjestelmä integroidulla suojakuoren puhdistusjärjestelmällä | Ua. Lattiatyyppin valitsin |
| J. Pölysäiliö | V. Huonekalusuutin* |
| K. Säiliön läpän vapautuspainike | W. Rakosuulake* |
| L. Imuletku | X. Pitkä 2-in-1-suutin* |
| M. Kehittynyt mukava kahva kädensijalla, imunsäätimellä ja integroiduilla suulakkeilla (Katso M1)** | Y. Kehittynyt huonekalusuutin* |
| M1. Integroidut suulakkeet: Integroitu rakosuutin, Pölyharja ja huonekalusuutin | Z. Kaksitoiminen mini turbo -imusuutin lemmikinkarvalle* |
| N. Älykäs kahva integroidulla pölyharjalla** | AA. Kaksitoiminen mini turbo -imusuutin allergeeneille* |
| N1. Integroitu pölyharja* | AB. Extra Parkettisuulake* |
| O. Kahvan imunsäädin** | AC. Erittäin hellävarainen parkettisuutin* |
| P. Teleskooppiputki** | AD. Auton lisävarusteet*:
a. Lisävarustepussi
b. Suuri pölyharja
c. Joustava XL-rakosuutintyökalu |
| P1. Teleskooppiputken säädin** | |
| P2. Teleskooppiputken liitäntä* | |

LAITTEEN KOKOAMINEN

Pura kaikki osat pakkauksesta.

- Liitä letku imurin runkoon ja varmista, että se naksahdaa ja lukittuu paikalleen. Vapautus: paina painikkeita letkun päässä ja vedä. [1]
- Liitä letkun kahva** jatkoputken yläosan päähän, tai tarvittaessa lisävarusteet*. [2]
- Liitä jatkoputken alapää matto- ja lattiasuulakkeeseen** [3] tai tarvittaessa lisävarusteeseen*.
- Puhdistuksen lisävälineitä voi säilyttää* käytön jälkeen jatkoputken alapuolella, varusteena olevassa lisävarustepidikkeessä*.

LAITTEEN KÄYTTÖ

- Vedä verkkojohto esiin ja kytke pistoke pistorasiaan. Vedä johto ulos enintään punaiseen merkkiin asti. [6]
- Säädä teleskooppiputken pituutta siirtämällä teleskooppiputken säädintä** ylös ja nosta tai laske letkun kahva mukavimpaan puhdistusasentoon. [5]
- Matto- ja lattiasuutin**. Paina suulakkeen [4] lattiatyyppin valitsinta ja valitse lattiaan sopiva imurointitapa.
Kova lattia: Harjat ovat alhaalla lattian suojaamiseksi.
Matto: Harjat yläasennossa, jotta matto puhdistuu perusteellisesti.

Matto- ja lattiasuutin**: [4]

- **Kovan lattian puhdistus:** Paina lattiatyyppin valitsinpoljin suulakkeessa kova lattia -asentoon ja aseta suulakkeen imunsäädin avattuun [4a] tai suljettuun [4b] asentoon niin, että puhdistusasento on mahdollisimman mukava. Tässä tilassa harjat laskeutuvat alas kovien lattioiden suojaamiseksi.
- **Mattojen puhdistus:** Paina lattiatyyppin valitsinpoljin suulakkeessa matto-asentoon ja aseta suulakkeen imunsäädin avattuun asentoon. Tällöin harjat nousevat ja matto voidaan puhdistaa syvemmältä. [4c] Suulakkeen imunsäädin kannattaa avata mattoa puhdistettaessa, jotta suulake liukuu paremmin matolla.
- 4. Käynnistä imuri painamalla käynnistyspainiketta. [8]
- 5. **Kiinteä Tehonsäätö*** - Imuri toimii kiinteällä tehonsäädöllä.

Kehittynyt mukava kahva integroiduilla suulakkeilla:** [M, M1]

- **Integroitu rakosuutin:** Kahvaosan päätä voidaan käyttää rakosuuttimena, joka mahtuu ahtaisiin paikkoihin.
- **Huonekalusuutin:** Vapauta huonekalusuutin painamalla kahvaosan molemmin puolin sijaitsevia salpoja alaspäin. Huonekalusuuttimella voit imuroida pehmeät pinnat ja tekstiilit (verhot ja huonekalujen verhoilut).
- **Pölyharja:** Vapauta integroitu pölyharja painamalla kahvaosan molemmin puolin sijaitsevia salpoja alaspäin ja tämän jälkeen liukupainike loppuun asti. Ihanteellinen koviille pinnoille (kirjahyllyt, näppäimistöt, jalkalistat).
- **Imutehon säädin**:** Säädä imua avaamalla tai sulkemalla kahvan ilmaventtiili. [9, O**]

Älykäs kahva**: [N,N1]

- **Imutehon säädin** [O]:** Säädä imutehoa avaamalla tai sulkemalla kahvaosan ilmaventtiiliä.
- **Pölyharja:** Se on integroitu suoraan letkun kahvan alle.
- 6. Kytke laite käytön päätteeksi pois päältä painamalla imurin rungossa olevaa On/Off-painiketta. Irrota virtajohto pistokkeesta ja kela se sisään johdon kelauspainikkeella.
- 7. Säilytys ja varastointi - Teleskooppiputki voidaan asettaa väliaikaisesti sivuun käytön aikana tai säilytysasentoon, kun sitä ei käytetä. [11]

LISÄVARUSTEET

Parhaan suorituskyvyn ja energiatehokkuuden saavuttamiseksi on suositeltavaa käyttää oikeanlaisia suulakkeita. Kaavioissa näihin suulakkeisiin viitataan kirjainyhdistelmillä **GP**, **HF** ja **CA**.

Suulaketyyppi **GP** soveltuu sekä mattojen että kovan lattian puhdistukseen.

Suulaketyyppi **HF** soveltuu ainoastaan kovan lattian puhdistukseen.

Suulaketyyppi **CA** soveltuu ainoastaan mattojen puhdistukseen.

Muut suulakkeet ovat lisävarusteita erityisiä puhdistustoimenpiteitä varten ja niitä suositellaan käytettävän vain satunnaisesti.

Kaikki lisävarusteet voidaan kiinnittää kädensijan* tai teleskoopiputken päähän.

Tarvikesetti**:

Rakosuulake – Nurkkia ja vaikeapääsyisiä kohteita varten.

Tekstiilisulake – Pehmeäpintaisten huonekalujen ja kankaiden imurointiin.

Pölyharja – Kirjahyllyjä, kehyksiä, näppäimistöjä ja muita kevyttä imutehoa vaativia paikkoja varten.

Kaksitoiminen imusuutin lemmikinkarvalle* [Z] – Pienellä miniturbosuulakkeella voit imuroida portaita tai syväpuhdistaa tekstiilipintoja ja muita vaikeasti puhdistettavia paikkoja. Sopii erityisesti eläinten karvojen imurointiin.

Kaksitoiminen imusuutin allergeeneille* [AA] – Pienellä tehosuuttimella voit imuroida portaita tai syväpuhdistaa tekstiilipintoja ja muita vaikeasti puhdistettavia paikkoja. Soveltuu erityisen hyvin allergeenien poistoon.

Parkettisuutin ja erittäin hellävarainen parkettisuutin* [AC,AB] – Parketin ja muiden arkojen lattiapintojen imurointiin.

Pitkä 2-in-1-suutin* [X] – Rakosuutin ja pölyharja - Sen avulla voidaan imuroida vaikeapääsyiset alueet, kuten kirjahyllyt ja korkealla olevat kulmat.

TÄRKEÄÄ: Älä käytä mini turbosuulaketta imuroidessasi pitkähäpsullisiä mattoja, eläinten taljoja tai mattoja, joiden nukan pituus on yli 15 mm. Älä pidä suulaketta paikoillaan yhdessä kohdassa harjan pyöriessä.

Auton lisävarustepakkaus* [AD]:

Joustava XL-rakosuutintyökalu* – Sopii ihanteellisesti auton puhdistukseen. Sopii pituutensa ansiosta vaikeasti puhdistettavien alueiden, kuten ahtaiden rakojen puhdistamiseen.

Suuri pölyharja integroidulla huonekalusuuttimella* – Sopii sekä auton että kodin pehmeiden&herkkien pintojen puhdistamiseen.

Lisävarustepussi* – Auttaa säilyttämään lisävarusteet siististi.

LAITTEEN KUNNOSSAPITO

Pölysäiliön tyhjennys

Tyhjennä pölykasetti, kun pölymäärämittari osoittaa kasetin olevan täynnä.

TÄRKEÄÄ: Älä imuroi enää sen jälkeen, kun mittari osoittaa säiliön olevan täynnä.

* Vain joissakin malleissa

** Voi vaihdella mallista riippuen

1. Kytke laite pois päältä sen rungossa olevalla On/Off-painikkeella [8] ja irrota virtajohto pistokkeesta.
2. Nosta pölysäiliön vapautuskahva ja irrota pölysäiliö imurista. [12]
3. Pitele pölysäiliötä yhdellä kädellä ja paina toisella kädellä pölysäiliön läpän vapautuspainiketta. [13]
4. Sulje pölysäiliön läppä ja aseta pölysäiliö takaisin imurin runkoon.

Pestävien suodattimien puhdistus

Imurissa on sininen suodatinpakkaus. Parhaan imutehon takaamiseksi irrota suodattimet säännöllisesti ja poista pöly napauttamalla suodatinta roska-astian reunaan. Pese suodattimet pölysäiliön viiden tyhjennyskerran jälkeen tai kun suodattimeen on kertynyt liikaa pölyä.

TÄRKEÄÄ: Kaikkien pölypussittomien imurien suodattimet on puhdistettava säännöllisesti. Jos suodattimia ei puhdisteta, ilman virtaus voi tukkeutua, imuri ylikuumeta ja rikkoutua. Myös takuu voi mitätöityä.

TÄRKEÄÄ: Tarkista suodatinten kunto säännöllisesti ja huolla tarvittaessa.

TÄRKEÄÄ: Varmista ennen imurointia, että suodatinpakkaus on täysin kuiva.

Moottorin edessä olevan suodattimen poistaminen:

1. Nosta pölysäiliön vapautuskahva ja irrota pölysäiliö imurista. [12]
2. Pitele pölysäiliötä yhdellä kädellä ja avaa säiliön kansi nostamalla toisella kädellä pölysäiliön kannen avaussalpa. [14]
3. Irrota säiliön kannessa sijaitseva moottorin esisuodatin. [16]
4. Napauta kevyesti moottorin edessä olevaa suodatinta ja pese se. Älä käytä kuumaa vettä tai pesuaineita. Poista suodattimesta liika vesi ja anna kuivua kokonaan, ennen kuin asennat sen takaisin. [19, 20]
5. Kokoa täysin kuivunut moottorin suodatin uudelleen pölysäiliön kanteen ja asenna takaisin puhdistimeen.

Poistoilmansuodattimen puhdistus:

1. Avaa poistoilmansuodattimen kansi imurin rungon takaosassa. [17]
2. Irrota poistoilmansuodatin imurin takaosasta. [18]
3. Napauta suodatinta kevyesti ja pese se lämpimällä vedellä. Älä käytä kuumaa vettä tai pesuaineita. Poista suodattimesta liika vesi ja anna kuivua kokonaan, ennen kuin asennat sen takaisin. [19, 20]
4. Asenna poistoilmansuodatin imurin takaosaan, kun se on täysin kuiva, ja asenna poistoilmansuodattimen kansi.

TÄRKEÄÄ: Älä käytä imuria ilman suodatinpakkausta.

Pölysäiliön / Erotusyksikön puhdistaminen

Tässä imurissa on Hooverin ainutlaatuinen erotusjärjestelmä ja suojakuoren puhdistusjärjestelmä. Erotusyksikkö voidaan tarvittaessa irrottaa pölysäiliöstä puhdistusta varten.

1. Nosta pölysäiliön vapautuskahva ja irrota pölysäiliö imurista. [12]
2. Pitele pölysäiliötä yhdellä kädellä ja avaa pölysäiliön kansi nostamalla toisella kädellä pölysäiliön kannen avaussalpa. [14]

3. Irrota erotusjärjestelmä (mukaan lukien integroitu suojakuoren puhdistusjärjestelmä) pölysäiliöstä. [15]
4. Poista tarvittaessa ylimääräinen pöly erotusjärjestelmästä (mukaan lukien suojakuoren puhdistusjärjestelmästä) rätillä.
5. Aseta pölysäiliö hanan alle. Huuhtelee kädenlämpoisellä vedellä. Pese säiliön sisäpinnat pelkällä vedellä. Säiliön sisäpintoja EI SAA pestä saippualliuoksilla.
6. Asenna sisäkomponentti takaisin pölysäiliöön. Varmista, että kaikki osat ovat kuivia.
7. Sulje pölysäiliön kansi ja aseta pölysäiliö takaisin puhdistimeen.

Tukoksen poistaminen

1. Tarkista, onko pölysäiliö täynnä. Tyhjennä se tarvittaessa kohdan "Pölysäiliön tyhjennys" ohjeiden mukaan.
2. Jos pölysäiliö on tyhjä, mutta imuteho on silti heikko:
 - A. Ovatko suodattimet puhdistuksen tarpeessa? Jos ovat, katso lisätietoja kohdasta "Pestävien suodattimien puhdistus".
 - B. Tarkasta, onko laitteessa muuta tukosta. - Poista tukos jatkoputkesta tai letkusta kepin tms. avulla.
 - C. Tarkasta, onko imuriin asennettu esisuodatin.
 - D. Tarkasta, tarvitseeko erotusosa puhdistusta. Katso lisätietoja kohdasta "Erotusosan puhdistus".

VIANMÄÄRITYSLISTA

Jos laitteen käytössä ilmenee ongelmia, käy läpi nämä vianmääritysohjeet ennen kuin otat yhteyttä paikalliseen Hoover-huoltoon.

- Toimiiko virtalähde? Onko johto toimivassa pistorasiassa? Tämän voi tarkistaa muulla toimivalla sähkölaitteella.
- Onko pölysäiliö liian täynnä? Katso lisätietoja kohdasta "Laitteen huolto".
- Onko suodatin tukkeutunut? Katso 'Suodattimen puhdistaminen'.
- Onko letku tai suulake tukossa? Katso lisätietoja kohdasta "Tukoksen poistaminen".
- Onko imuri ylikuumentunut? Jäähtyminen kestää noin 30 minuuttia.

TÄRKEÄÄ TIETOA

HOOVER-VARAOSAT JA -TARVIKKEET

Käytä vain alkuperäisiä Hoover-varaosia. Niitä on saatavana paikalliselta Hoover-jälleenmyyjältä tai valtuutetusta huoltoliikkeestä. Mainitse varaosatilauksen yhteydessä laitteen tyyppinumero.

Hoover-huolto

Ota huoltoon liittyvissä asioissa yhteyttä paikalliseen Hoover-huoltoon.

Laatu

BSI ISO 9001

Hooverin tehtaat on arvioitu laadun suhteen riippumattoman tahon toimesta. Tuotantoprosessimme täyttävät ISO 9001 -laatujärjestelmän vaatimukset.

TAKUU

Tämän laitteen takuuehdot määrittelee ostomaan Hoover-edustaja. Yksityiskohtaiset tiedot näistä ehdoista saa laitteen myyneeltä jälleenmyyjältä. Tämän takuun mukaisia vaateita esitettäessä on esitettävä myyntitodistus tai ostokuitti.

Oikeus muutoksiin pidätetään.

ΟΔΗΓΙΕΣ ΑΣΦΑΛΟΥΣ ΧΡΗΣΗΣ

Η συσκευή πρέπει να χρησιμοποιείται αποκλειστικά για οικιακή χρήση, σύμφωνα με τις οδηγίες χρήσης. Πριν δοκιμάσετε να χρησιμοποιήσετε τη συσκευή, βεβαιωθείτε ότι έχετε κατανοήσει τις οδηγίες που περιέχει το βιβλίο που κρατάτε στα χέρια σας.

Μην αφήνετε τη συσκευή συνδεδεμένη στην πρίζα. Πριν τον καθαρισμό της συσκευής ή οποιασδήποτε εργασία συντήρησης, πρέπει να απενεργοποιείτε τη συσκευή και να την αποσυνδέετε από την πρίζα.

Η χρήση της συσκευής από παιδιά άνω των 8 ετών, ηλικιωμένους και ΑΜΕΑ προϋποθέτει την παρουσία ενήλικα που θα φέρει την ευθύνη για την ασφαλεία τους. Η χρήση της συσκευής από άτομα που δεν έχουν εξοικειωθεί στη χρήση παρόμοιων συσκευών μπορεί να γίνει μόνο αφού γίνει κατανοητός ο κίνδυνος που ενέχει η χρήση της συσκευής. Μην αφήνετε τα παιδιά να παίζουν με τη συσκευή.

Οι εργασίες καθαρισμού και συντήρησης της συσκευής δεν πρέπει να γίνονται από τα παιδιά χωρίς την επίβλεψη ενήλικα που θα φέρει την ευθύνη για την ασφάλειά τους.

Εάν το καλώδιο σύνδεσης με το δίκτυο παροχής εμφανίσει φθορές διακόψτε την λειτουργία της συσκευής αμέσως. Για λόγους ασφάλειας η αντικατάσταση του καλωδίου πρέπει να γίνει αποκλειστικά από εξουσιοδοτημένο προς τούτο τεχνικό HOOVER.

Μην πλησιάζετε τις περιστρεφόμενες βούρτσες με τα χέρια, τα πόδια, τα μαλλιά ή τα ρούχα σας.

Χρησιμοποιείτε αποκλειστικά γνήσια εξαρτήματα, ανταλλακτικά και αναλώσιμα HOOVER.

Στατικός ηλεκτρισμός: Ορισμένα χαλιά μπορεί να προκαλέσουν μικρή συσσώρευση στατικού ηλεκτρισμού. Τυχόν στατικές εκκενώσεις δεν είναι επικίνδυνες για την υγεία.

Μην χρησιμοποιείτε τη συσκευή σας σε εξωτερικούς χώρους, σε υγρή επιφάνεια ή για τη συλλογή υγρών.

Μην συλλέγετε με τη συσκευή σκληρά ή αιχμηρά αντικείμενα, ψιλή σκόνη ή χώματα, καυτή στάχτη, αποτσίγαρα ή άλλα παρόμοια αντικείμενα.

Μην ψεκάζετε ή συλλέγετε εύφλεκτα υγρά, υγρά καθαρισμού, σπρέυ ή τους ατμούς τους.

Ενώσω χρησιμοποιείτε τη συσκευή δεν πρέπει να πατάτε επάνω στο καλώδιο, μην τραβάτε το καλώδιο για να αποσυνδέσετε τη συσκευή από την παροχή.

Εάν η συσκευή εμφανίσει κάποια βλάβη μην συνεχίσετε να την χρησιμοποιείτε.

Μην στέκεστε πάνω στο καλώδιο και μην το περιτυλίγετε γύρω από τα χέρια ή τα πόδια σας ενώσω η συσκευή βρίσκεται σε λειτουργία.

Μη χρησιμοποιείτε τη συσκευή για να καθαρίζετε ζώα ή άτομα. Μην τοποθετείτε πάνω σας τη συσκευή όταν καθαρίζετε τις σκάλες.

Τεχνική Υποστήριξη Hoover: Για την διατήρηση της ασφαλούς και αποτελεσματικής λειτουργίας της συσκευής οι επεμβάσεις συντήρησης και αποκατάστασης βλαβών πρέπει να γίνονται αποκλειστικά μέσω των εξουσιοδοτημένων τεχνικών HOOVER..

Περιβάλλον

Το σύμβολο πάνω σε αυτή τη συσκευή υποδεικνύει ότι αυτή η συσκευή δεν μπορεί να αντιμετωπιστεί σαν κοινό οικιακό απόρριμμα. Αντίθετα, πρέπει να παραδοθεί στο πλησιέστερο κέντρο συλλογής για την ανακύκλωση ηλεκτρικού και ηλεκτρονικού εξοπλισμού. Η απόρριψη της συσκευής πρέπει να γίνει σύμφωνα με την ισχύουσα κατά τόπο νομοθεσία για την απόρριψη ηλεκτρονικών και ηλεκτρικών αποβλήτων. Για πιο λεπτομερείς πληροφορίες σχετικά με την επεξεργασία, την ανάκτηση και την ανακύκλωση αυτής της συσκευής, επικοινωνήστε με την κατά τόπους αρμόδια αρχή, την υπηρεσία αποκομιδής οικιακών απορριμμάτων ή το κατάστημα από το οποίο αγοράσατε τη συσκευή.



Αυτή η συσκευή συμμορφώνεται με τις Ευρωπαϊκές Οδηγίες 2014/35/EE, 2014/30/EE και 2011/65/EE.

CANDY HOOVER GROUP S.r.l. Via Privata Eden Fumagalli, 20861 Brugherio (MB) Italy

ΕΞΟΙΚΕΙΩΣΗ ΜΕ ΤΗ ΣΚΟΥΠΙΑ

- | | |
|--|---|
| A. Συγκρότημα δοχείου σκόνης | P1. Μηχανισμός ρύθμισης τηλεσκοπικού σωλήνα** |
| B. Κυρίως σώμα καθαριστή | P2. Ασφαλής σύνδεση τηλεσκοπικού σωλήνα* |
| C. Εγκοπτή στάθμευσης | Q. Φίλτρο απαγωγής |
| D. Κουμπί ελέγχου λειτουργίας On / Off | R. Βάση αξεσουάρ* |
| E. Κουμπί καλωδίου | S. Πέλημα χαλιών και δαπέδων: (GP)** |
| F. Άγκιστρο ανοίγματος καπακιού δοχείου σκόνης | Sa. Ασφαλής σύνδεση ακροφυσίου χαλιών και δαπέδου* |
| G. Λαβή απελευθέρωσης δοχείου σκόνης | Sb. Επιλογέας τύπου δαπέδου |
| H. Καπάκι δοχείου σκόνης | Sc. Ρυθμιστής αναρρόφησης ακροφυσίων* |
| I. Σύστημα διαχωρισμού με ενσωματωμένο σύστημα καθαρισμού καλυμμάτων | T. Φίλτρο πριν το μοτέρ |
| J. Κάδος σκόνης | U. Πέλημα χαλιών και δαπέδων: (GP)** |
| K. Κουμπί απασφάλισης καπακιού δοχείου σκόνης | Ua. Επιλογέας τύπου δαπέδου |
| L. Εύκαμπτος σωλήνας | V. Εργαλείο επίπλων* |
| M. Προηγμένη σύστημα άνεσης με απαλή λαβή, ρυθμιστή αναρρόφησης και ενσωματωμένα αξεσουάρ (Βλέπε M1**) | W. Ρύγχος καθαρισμού* |
| M1. Ενσωματωμένα εξαρτήματα: Ενσωματωμένο εργαλείο σχισμών, Βούρτσα ξεσκονίσματος και Εργαλείο επίπλων | X. Μακρύ εργαλείο 2 σε 1* |
| N. Έξυπνη λαβή με ενσωματωμένη βούρτσα ξεσκονίσματος** | Y. Προηγμένο ακροφύσιο επίπλων* |
| N1. Ενσωματωμένη βούρτσα ξεσκονίσματος* | Z. Ακροφύσιο Mini Turbo διπλής δράσης για τρίχες κατοικίδιων* |
| O. Ρυθμιστής αναρρόφησης στη λαβή** | AA. Ακροφύσιο Mini Turbo διπλής δράσης για αλλεργιογόνα* |
| P. Τηλεσκοπικός σωλήνας** | AB. Επιπλέον πέλημα για παρκέ* |
| | AC. Ακροφύσιο επιπλέον φροντίδας παρκέ* |
| | AD. Εξαρτήματα κλπ αυτοκινήτου*:
a. Σακούλα αξεσουάρ
b. Μεγάλη βούρτσα ξεσκονίσματος
c. Εύκαμπτο εργαλείο σχισμών XL |

ΣΥΝΑΡΜΟΛΟΓΗΣΗ ΤΟΥ ΚΑΘΑΡΙΣΤΗ

Αφαιρέστε όλα τα εξαρτήματα από τη συσκευασία.

1. Συνδέστε τον εύκαμπτο σωλήνα στο κυρίως σώμα της σκούπας, διασφαλίζοντας ότι έχει κουμπώσει και ασφαλίσει στη σωστή θέση. Για να τον απασφαλίσετε: απλώς πιέστε τα πλήκτρα που υπάρχουν στο άκρο του εύκαμπτου σωλήνα και τραβήξτε. [1]
2. Συνδέστε τη λαβή** του εύκαμπτου σωλήνα στο άκρο του σωλήνα επέκτασης άνω, ή των αξεσουάρ* αν χρειάζεται. [2]

* Μόνο ορισμένα μοντέλα

** Ενδέχεται να διαφέρει ανάλογα με το μοντέλο

3. Συνδέστε το κάτω άκρο σωλήνα επέκτασης στο πέλημα** χαλιών και δαπέδου [3] ή των αξεσουάρ* αν χρειάζεται.
4. Τα βοηθητικά εργαλεία καθαρισμού μπορούν να αποθηκευτούν* μετά τη χρήση στην κάτω πλευρά του σωλήνα επέκτασης, χρησιμοποιώντας τη θήκη αξεσουάρ που παρέχεται*.

ΟΔΗΓΙΕΣ ΧΡΗΣΕΩΣ

1. Ξετυλίξτε το καλώδιο ρεύματος και συνδέστε το σε μια πρίζα. Μην τραβάτε το καλώδιο πέραν της κόκκινης σήμανσης. [6]
2. Προσαρμόστε το μήκος του τηλεσκοπικού σωλήνα μετακινώντας** τον ρυθμιστή τηλεσκοπικού σωλήνα προς τα πάνω και ανυψώστε ή χαμηλώστε τη λαβή του εύκαμπτου σωλήνα στην πιο άνετη θέση καθαρισμού. [5]
3. Πέλημα χαλιών και δαπέδων**. Πατήστε το πεντάλ στο πέλημα [4] για να επιλέξετε τον ιδανικό τρόπο καθαρισμού για το συγκεκριμένο τύπο πατώματος.

Σκληρά δάπεδα: Οι βούρτσες χαμηλώνουν για την προστασία του δαπέδου.

Χαλί: Με τις βούρτσες ανασηκωμένες για το βαθύτερο καθαρισμό.

Πέλημα χαλιών και δαπέδων**: [4]

- **Καθαρισμός σκληρών δαπέδων:** Πιέστε το πεντάλ επιλογής τύπου δαπέδου στο πέλημα στη λειτουργία σκληρού δαπέδου και βάλτε τον ρυθμιστή αναρρόφησης ακροφυσίου για την ανοιχτή θέση [4a] ή την κλειστή θέση [4b] για την πιο εύκολο καθαρισμό. Σε αυτή τη θέση οι βούρτσες κατεβαίνουν για την προστασία των σκληρών δαπέδων.
 - **Καθαρισμός χαλιών:** Πιέστε το πεντάλ επιλογής τύπου δαπέδου στο πέλημα στη λειτουργία Χαλί και βάλτε τον ρυθμιστή αναρρόφησης ακροφυσίου στην ανοιχτή θέση. Σε αυτή τη θέση οι βούρτσες ανεβαίνουν για βαθύτερο καθαρισμό του χαλιού σας. [4c] Προτείνεται να ανοίξετε τον ρυθμιστή αναρρόφησης πέλματος στο χαλί για να πετύχετε καλύτερη ολίσθηση.
4. Ενεργοποιήστε τη σκούπα πατώντας το κουμπί λειτουργίας (On/Off) στο σώμα της σκούπας. [8]
 5. **Σταθερή ισχύς*** - Η σκούπα θα λειτουργεί σε ρύθμιση σταθερής ισχύος.

Προηγμένη λαβή άνεσης με ενσωματωμένα αξεσουάρ**: [M, M1]

- **Ενσωματωμένο ρύγχοςγωνιών:** Το άκρο της λαβής του σωλήνα μπορεί να χρησιμοποιηθεί σαν εργαλείο σχισμών για στενούς χώρους.
- **Εργαλείο επίπλων:** Πατήστε τα κλιπ και στις δύο πλευρές της λαβής και σύρετε προς τα κάτω για να απελευθερώσετε το εργαλείο επίπλων και να καθαρίσετε μαλακές επιφάνειες και υφάσματα (κουρτίνες, ταπετσαρίες).
- **Βούρτσα ξεσκονίσματος:** Πατήστε τα κλιπ και στις δυο πλευρές της λαβής και σύρετε προς τα κάτω, μετά σπρώξτε τον συρόμενο διακόπτη μέχρι τέρμα για να απελευθερώσετε την ενσωματωμένη βούρτσα ξεσκονίσματος. Ιδανικό για σκληρές επιφάνειες (ράφια, πληκτρολόγια, σοβατεπί)
- **Ρυθμιστής αναρρόφησης**:** Προσαρμόστε την αναρρόφηση ανοίγοντας ή κλείνοντας τη βαλβίδα αέρα που υπάρχει στη λαβή. [9, O**]

Έξυπνη Χειρολαβή:** [N,N1]

- **Ρυθμιστής αναρρόφησης**** [O]: Ρυθμίστε την ισχύ αναρρόφησης ανοίγοντας και κλείνοντας τη βαλβίδα αέρα στη λαβή.
 - **Βούρτσα ξεσκονίσματος:** Είναι ενσωματωμένη ακριβώς κάτω από τη λαβή του εύκαμπτου σωλήνα.
6. Απενεργοποιήστε στο τέλος της χρήσης πατώντας το κουμπί On / Off στο κύριο σώμα της σκούπας. Αποσυνδέστε και μαζέψτε το καλώδιο τροφοδοσίας πατώντας το κουμπί κυλίνδρου.
7. Στάθμευση και αποθήκευση - Μπορείτε να αφήσετε τον σωλήνα για προσωρινή αποθήκευση κατά τη χρήση, ή στη θέση αποθήκευσης, όταν δεν χρησιμοποιείται. [11]

ΕΞΑΡΤΗΜΑΤΑ

Για να πετύχετε την καλύτερη επίδοση και ενεργειακή αποδοτικότητα συνιστάται να χρησιμοποιείτε τα σωστά πέλματα στις βασικές εργασίες καθαρισμού. Αυτά τα πέλματα απεικονίζονται στα σχέδια με τα γράμματα **GP**, **HF** ή **CA**.

Το πέλμα τύπου **GP** μπορεί να χρησιμοποιηθεί τόσο για τον καθαρισμό χαλιών όσο και πατωμάτων.

Το πέλμα τύπου **HF** είναι κατάλληλο για χρήση μόνο σε σκληρά δάπεδα .

Το ακροφύσιο τύπου **CA** είναι κατάλληλο για χρήση μόνο σε χαλιά

Τα υπόλοιπα ακροφύσια προορίζονται για ειδικές εργασίες καθαρισμού και πρέπει να χρησιμοποιούνται μόνο για το συγκεκριμένο σκοπό.

Όλα τα εξαρτήματα μπορούν να τοποθετηθούν στο άκρο της λαβής* ή στο άκρο του εύκαμπτου σωλήνα.

Σετ αξεσουάρ:**

Ρύγχος καθαρισμού – Για γωνίες και δυσπρόσιτα σημεία.

Εξάρτημα καθαρισμού επίπλων – Για μαλακά έπιπλα και υφάσματα.

Βούρτσα ξεσκονίσματος – Για ράφια, πλαίσια, πληκτρολόγια και άλλες ευαίσθητες περιοχές.

Ακροφύσιο διπλής δράσης για τρίχες κατοικίδιων* [Z] – Χρησιμοποιήστε το πέλμα μίνι τούρμπο για τις σκάλες ή για τον βαθύ καθαρισμό υφασμάτων επιφανειών και άλλων σημείων που καθαρίζονται δύσκολα. Ιδιαίτερα κατάλληλο για την απομάκρυνση τριχών κατοικίδιων.

Ακροφύσιο διπλής δράσης για αλλεργιογόνα* [AA] – Χρησιμοποιήστε το πέλμα μίνι τούρμπο για τις σκάλες ή για το βαθύ καθαρισμό υφασμάτων επιφανειών και άλλων σημείων που καθαρίζονται δύσκολα, ιδιαίτερα κατάλληλο για την απομάκρυνση αλλεργιογόνων.

Ακροφύσια επιπλέον φροντίδας και φροντίδας παρκέ* [AC,AB] – Για παρκέ και άλλα ευαίσθητα δάπεδα.

Μακρύ εργαλείο 2 σε 1* [X] – Εργαλείο σχισμών και βούρτσα ξεσκονίσματος - Επιτρέπει να καθαρίζετε δύσκολα σημεία όπως ράφια και ψηλές γωνίες.

ΕΠΙΣΗΜΑΝΣΗ: Μη χρησιμοποιείτε τα πέλματα turbo και μίνι turbo σε χαλιά με μακριά κρόσσια, σε φλοκάτες και χαλιά με πέλος μεγαλύτερο των 15 χιλιοστών. Μην κρατάτε το ηλεκτρικό ακροφύσιο ακίνητο ενώ η βούρτσα περιστρέφεται.

Αξεσουάρ κιτ αυτοκινήτου* [AD]:

Εύκαμπτο εργαλείο σχισμών XL* – Ιδανικό για καθαρισμού του αυτοκινήτου. Το μήκος του επιτρέπει τον καθαρισμό δύσκολων σημείων, στενών σχισμών.

Μεγάλη βούρτσα ξεσκονίσματος με ενσωματωμένο ακροφύσιο επίπλων* – Κατάλληλο για τον καθαρισμό μαλακών & ευαίσθητων επιφανειών τόσο στο αυτοκίνητο όσο και στο σπίτι.

Τσάντα αποθήκευσης αξεσουάρ* – Για τακτική αποθήκευση όλων των αξεσουάρ.

ΣΥΝΤΗΡΗΣΗ ΚΑΙ ΚΑΘΑΡΙΣΜΟΣ**Αδειάστε το δοχείο σκόνης**

Όταν η σκόνη φτάσει στην μέγιστη ένδειξη του δοχείου, αδειάστε το δοχείο σκόνης.

ΕΠΙΣΗΜΑΝΣΗ: Για βέλτιστη απόδοση μην αφήνετε τη σκόνη να υπερβεί τη μέγιστη ένδειξη.

1. Απενεργοποιήστε τη σκούπα πατώντας το κουμπί On / Off στο κύριο σώμα της σκούπας [8] και αποσυνδέστε το καλώδιο τροφοδοσίας.
2. Πατήστε το κουμπί απελευθέρωσης του δοχείου σκόνης και αφαιρέστε το συγκρότημα κάδου από τον καθαριστή. [12]
3. Κρατήστε το δοχείο σκόνης με το ένα χέρι και με το άλλο χέρι πατήστε το κουμπί απελευθέρωσης πτερυγίου του δοχείου σκόνης. [13]
4. Κλείστε το καπάκι του δοχείου σκόνης και επανατοποθετήστε το δοχείο στο κύριο σώμα της σκούπας.

Καθαρισμός των πλενόμενων φίλτρων

Η σκούπα διαθέτει μια δέσμη μπλε φίλτρων. Για να διατηρήσετε τη βέλτιστη απόδοση καθαρισμού, πρέπει να αφαιρείτε τακτικά τα φίλτρα και να τα τινάζετε μέσα στον κάδο απορριμμάτων ώστε να απομακρύνεται η σκόνη. Τα φίλτρα πρέπει να πλένονται κάθε 5 αδειάσματα του δοχείου ή όταν έχουν μαζέψει υπερβολική σκόνη.

ΕΠΙΣΗΜΑΝΣΗ: Όλες οι σκούπες χωρίς σακούλα απαιτούν συχνό καθαρισμό του φίλτρου. Η αποτυχία καθαρισμού των φίλτρων μπορεί να έχει σαν αποτέλεσμα την εμπλοκή αέρα, την υπερθέρμανση και την αστοχία του προϊόντος. Αυτό μπορεί να καταστήσει άκυρη την εγγύησή σας.

ΕΠΙΣΗΜΑΝΣΗ: Ελέγχετε και συντηρείτε τακτικά τα φίλτρα.

ΕΠΙΣΗΜΑΝΣΗ: Πρέπει να διασφαλίζετε πάντα ότι το σύστημα των φίλτρων είναι απόλυτα στεγνό πριν από τη χρήση.

Για πρόσβαση στο φίλτρο πριν το μοτέρ:

1. Πατήστε το κουμπί απελευθέρωσης του δοχείου σκόνης και αφαιρέστε το συγκρότημα κάδου από τον καθαριστή. [12]
2. Κρατήστε το δοχείο σκόνης με το ένα χέρι και με το άλλο χέρι περιστρέψτε το καπάκι του δοχείου σκόνης για να ανοίξετε το καπάκι του δοχείου. [14]
3. Αφαιρέστε το φίλτρο πριν από το μοτέρ που βρίσκεται στο καπάκι του δοχείου. [16]
4. Τινάζτε απαλά και πλύνετε το φίλτρο πριν από το μοτέρ. Μη χρησιμοποιείτε καυτό νερό ή απορρυπαντικό. Απομακρύνετε τα υπολείμματα νερού από το φίλτρο και αφήστε το να στεγνώσει εντελώς πριν το ξαναχρησιμοποιήσετε. [19, 20]
5. Επανασυναρμολογήστε το φίλτρο πριν από το μοτέρ στο καπάκι του δοχείου σκόνης αφού στεγνώσει τελείως και τοποθετήστε ξανά στον καθαριστή.

Για πρόσβαση στο φίλτρο εξόδου:

1. Ξεκουμπώστε το κάλυμμα του φίλτρου εξόδου από το πίσω μέρος του κύριου σώματος της σκούπας. [17]
2. Αφαιρέστε το φίλτρο εξόδου από το πίσω μέρος της σκούπας. [18]
3. Τινάζτε ελαφρά και πλύνετε με χλιαρό νερό το φίλτρο. Μη χρησιμοποιείτε καυτό νερό ή απορρυπαντικό. Απομακρύνετε τα υπολείμματα νερού από το φίλτρο και αφήστε το να στεγνώσει εντελώς πριν το ξαναχρησιμοποιήσετε. [19, 20]
4. Τοποθετήστε ξανά το φίλτρο εξόδου στο πίσω μέρος της σκούπας όταν στεγνώσει τελείως και έπειτα τοποθετήστε το κάλυμμα του φίλτρου εξόδου στη θέση του.

ΕΠΙΣΗΜΑΝΣΗ: Μη χρησιμοποιείτε το προϊόν εάν προηγουμένως δεν έχετε τοποθετήσει σωστά το σύστημα φίλτρων.

Καθαρισμός του κάδου απορριμάτων / της μονάδας διαχωρισμού

Αυτή η σκούπα χρησιμοποιεί ένα σύστημα διαχωρισμού και ένα σύστημα καθαρισμού καλυμμάτων μοναδικό για τη Hoover. Εάν χρειάζεται η μονάδα διαχωρισμού μπορεί να αποσυναρμολογηθεί από το δοχείο σκόνης και να καθαριστεί.

1. Πατήστε το κουμπί απελευθέρωσης του δοχείου σκόνης και αφαιρέστε το συγκρότημα κάδου από τον καθαριστή. [12]
2. Κρατήστε το δοχείο σκόνης με το ένα χέρι και με το άλλο χέρι περιστρέψτε το καπάκι του δοχείου για να το ανοίξετε. [14]
3. Αφαιρέστε το σύστημα διαχωρισμού (συμπεριλαμβανομένου του ενσωματωμένου συστήματος καθαρισμού καλυμμάτων) από το δοχείο σκόνης. [15]
4. Εάν χρειάζεται, χρησιμοποιήστε ένα πανί για να αφαιρέσετε την υπερβολική σκόνη από το σύστημα διαχωρισμού (συμπεριλαμβανομένου του ενσωματωμένου συστήματος καθαρισμού καλυμμάτων)
5. Τοποθετήστε το δοχείο σκόνης κάτω από τρεχούμενο νερό βρύσης. Ξεπλύνετε με χλιαρό νερό. Πλύντε τις εσωτερικές επιφάνειες του κάδου μόνο με νερό. ΜΗ χρησιμοποιήσετε απορρυπαντικά σαπουνιού για να πλύνετε το εσωτερικό του κάδου.
6. Επανασυναρμολογήστε τα εσωτερικά εξαρτήματα στο δοχείο σκόνης, εξασφαλίζοντας ότι όλα τα εξαρτήματα είναι στεγνά.
7. Κλείστε το καπάκι του δοχείου σκόνης και επανατοποθετήστε το συγκρότημα του δοχείου σκόνης στον καθαριστή.

Απομάκρυνση σκουπιδιού

1. Ελέγξτε εάν το δοχείο σκόνης είναι γεμάτο. Εάν ναι, ανατρέξτε στην ενότητα «Αδειασμα του δοχείου σκόνης».
2. Αν το δοχείο σκόνης είναι άδειο, αλλά η απορρόφηση εξακολουθεί να είναι χαμηλή:
 - A. Μήπως χρειάζονται καθαρίσματα τα φίλτρα; Εάν ναι, ανατρέξτε στην ενότητα «Καθαρισμός των πλεονόμενων φίλτρων».
 - B. Ελέγξτε εάν έχει φράξει κάπου αλλού το σύστημα - Χρησιμοποιήστε μια ράβδο για να αφαιρέσετε τυχόν σκουπίδια από το σωλήνα επέκτασης ή από τον εύκαμπο σωλήνα.
 - C. Ελέγξτε εάν είναι τοποθετημένο το φίλτρο πριν το μοτέρ
 - D. Ελέγξτε εάν η μονάδα διαχωρισμού χρειάζεται καθαρισμό. Ανατρέξτε στην ενότητα «Καθαρισμός της μονάδας διαχωρισμού»

ΛΙΣΤΑ ΕΛΕΓΧΟΥ ΧΡΗΣΤΗ

Εάν αντιμετωπίσετε πρόβλημα με το προϊόν, πριν απευθυνθείτε στις υπηρεσίες τεχνικής υποστήριξης Hoover Service, κάντε τους ελέγχους που ακολουθούν.

- Υπάρχει ρεύμα στην πρίζα που έχει συνδεθεί η ηλεκτρική σκούπα; Ελέγξτε το με κάποια άλλη ηλεκτρική συσκευή.
- Το δοχείο σκόνης είναι υπερπλήρες; Ανατρέξτε στην ενότητα «Συντήρηση σκούπας».
- Είναι φραγμένο το φίλτρο; Ανατρέξτε στο κεφάλαιο 'Καθαρισμός του φίλτρου'.
- Είναι φραγμένο το πέλημα ή ο εύκαμπτος σωλήνας; Ανατρέξτε στο κεφάλαιο «Απομάκρυνση σκουπιδιού από το σύστημα».
- Μήπως υπερθερμάνθηκε η σκούπα; Εάν ναι, η αυτόματη επαναφορά θα διαρκέσει περίπου 30 λεπτά.

ΣΗΜΑΝΤΙΚΕΣ ΠΛΗΡΟΦΟΡΙΕΣ**ΑΝΤΑΛΛΑΚΤΙΚΑ ΚΑΙ ΑΝΑΛΩΣΙΜΑ HOOVER**

Όταν παραστεί η ανάγκη χρησιμοποιείτε αποκλειστικά γνήσια ανταλλακτικά Hoover. Τα ανταλλακτικά Hoover διατίθενται από τον τοπικό αντιπρόσωπο Hoover ή απευθείας από τη Hoover. Κατά την παραγγελία εξαρτημάτων να αναφέρετε πάντα τον αριθμό μοντέλου.

Τεχνική Υποστήριξη Hoover

Όποτε χρειαστεί να γίνει κάποια επισκευή στη συσκευή σας, επικοινωνήστε με το πλησιέστερο κέντρο τεχνικής υποστήριξης Gias Service

Ποιότητα

BSI ISO 9001

Τα εργοστάσια Hoover έχουν ελεγχθεί από ανεξάρτητους φορείς ποιοτικού ελέγχου. Τα προϊόντα μας κατασκευάζονται μέσω ενός συστήματος ποιότητας το οποίο πληροί τις προδιαγραφές του προτύπου ISO 9001.

Η ΕΓΓΥΗΣΗ ΣΑΣ

Οι όροι ισχύος της εγγύησης της συσκευής καθορίζονται από τον αντιπρόσωπο της χώρας στην οποία έχει πραγματοποιηθεί η πώληση. Περισσότερες πληροφορίες σχετικά με τους όρους εγγύησης μπορείτε να ζητήσετε από τον αντιπρόσωπο που αγοράσατε τη συσκευή. Η προσκόμιση του τιμολογίου ή της απόδειξης αγοράς είναι βασική προϋπόθεση για την ισχύ της εγγύησης.

Ο κατασκευαστής διατηρεί το δικαίωμα να επιφέρει αλλαγές χωρίς προγενέστερη ενημέρωση.

ИНСТРУКЦИИ ПО БЕЗОПАСНОМУ ИСПОЛЬЗОВАНИЮ

Данный прибор предназначен только для домашнего использования в соответствии с описанием, приведенным в настоящем Руководстве пользователя. Использование этого устройства в условиях, отличных от домашних, или с функциями, отличными от обычных функций домашнего хозяйства, такое как коммерческое использование исключено. Ненадлежащее использование устройства приводит к снижению срока его службы и прекращает действие гарантии производителя. Производитель не несет ответственности за повреждение устройства, убыток или потери, вызванные использованием. Прежде чем приступить к эксплуатации данного бытового электроприбора, убедитесь в том, что вы понимаете настоящее руководство. Не оставляйте прибор включенным в розетку. После использования или перед очисткой или обслуживанием всегда вынимайте вилку из розетки.

Данный прибор не предназначен для использования лицами (включая детей) с пониженными физическими, психическими или умственными способностями или при отсутствии у них опыта или знаний, если они не находятся под контролем или не проинструктированы об использовании прибора лицом, отвечающим за их безопасность. Дети должны находиться под присмотром для недопущения игры с прибором.

Все упаковочные материалы должны храниться в недоступном для детей месте (риск удушья).

Если провод питания поврежден, немедленно отключите прибор. Во избежание угрозы безопасности замену провода питания должен проводить только мастер авторизованной сервисной службы HOOVER.

Не приближайте вращающиеся щетки к рукам, ногам, болтающейся одежде и волосам.

Используйте только те насадки, расходные материалы или запасные части, которые рекомендует или поставляет HOOVER.

Статическое электричество: В процессе чистки ковров

некоторых видов может образовываться статическое электричество. Разряд статического электричества не представляет опасности для здоровья.

Не применяйте прибор вне помещений, на влажных поверхностях или для сбора жидкостей.

Не используйте прибор для сбора острых предметов, спичек, горячего пепла, окурков или аналогичных предметов.

Не распыляйте или не собирайте горючие жидкости, чистящие средства, аэрозоли или прочие пары.

Не перевозите пылесос через провод питания и не тяните за провод, вынимая вилку из розетки.

В случае неисправности не следует продолжать пользоваться прибором.

Не стойте на проводе и не наматывайте его на руку или ногу в процессе использования прибора.

Не используйте прибор для очистки животных или людей.

Не размещайте прибор над собой во время уборки лестниц.

Сервисная служба HOOVER: Для гарантии безопасной и надежной работы данного прибора мы рекомендуем приглашать авторизованных инженеров сервисной службы HOOVER для выполнения технического обслуживания и ремонта.

Окружающая среда

Символ на данном приборе указывает на то, что его нельзя утилизировать вместе с бытовыми отходами. Его необходимо сдавать в соответствующий пункт приема для дальнейшей переработки электрических и электронных частей.



Утилизация должна проводиться в соответствии с местными правилами по защите окружающей среды и утилизации отходов. За более подробной информацией по обращению с данным прибором, его утилизации и переработке обратитесь в местные органы власти, в службу утилизации отходов или в магазин, где вы приобрели данный прибор.

Данный прибор отвечает требованиям Европейских Директив 2014/35/EU, 2014/30/EU и 2011/65/EU.

CANDY HOOVER GROUP S.r.l. Via Privata Eden Fumagalli, 20861 Brugherio (MB) Italy

ПОЗНАКОМЬТЕСЬ С КОНСТРУКЦИЕЙ ВАШЕГО ПЫЛЕСОСА

- | | |
|--|--|
| A. Контейнер для сбора пыли | P1. Регулятор телескопической трубы** |
| B. Корпус | P2. Соединение телескопической трубы* |
| C. Посадочное место | Q. Выходной фильтр |
| D. Кнопка Вкл./Выкл | R. Держатель для аксессуаров* |
| E. Кнопка сматывания шнура | S. Насадка пол/ковер (GP)** |
| F. Защелка контейнера для сбора пыли | Sa. Соединение щетки пол/ковер* |
| G. Ручка извлечения контейнера для сбора пыли | Sb. Регулятор режима пол/ковер |
| H. Крышка контейнера для сбора пыли | Sc. Регулятор всасывания на насадке* |
| I. Система сепарации со встроенной системой очистки обода | T. Промываемый фильтр |
| J. Контейнер для сбора пыли | U. Насадка пол/ковер (GP)** |
| K. Кнопка откидной крышки контейнера для пыли | Ua. Регулятор режима пол/ковер |
| L. Шланг | V. Насадка для мебели* |
| M. Ручка с регулятором всасывания мощности и встроенными аксессуарами (См. M1**) | W. Щелевая насадка* |
| M1. Встроенные аксессуары: Встроенная щелевая насадка, Щетка для удаления пыли и мебельная щетка | X. Длинная щетка 2-в-1* |
| N. Ручка со встроенной щеткой для удаления пыли** | Y. Насадка для уборки мебели* |
| N1. Встроенная щетка для удаления пыли* | Z. Мини турбощетка Dual Action для уборки шерсти животных* |
| O. Регулятор мощности всасывания на ручке** | AA. Мини турбощетка для устранения аллергенов* |
| P. Телескопическая труба** | AB. Дополнительная насадка для паркета* |
| | AC. Насадка для паркета* |
| | AD. Набор аксессуаров для автомобиля*:
a. Сумка для аксессуаров
b. Большая щетка для удаления пыли
c. Гибкая щелевая насадка размера XL |

СБОРКА ПЫЛЕСОСА

Достаньте составные части пылесоса из упаковки.

1. Присоедините шланг к корпусу пылесоса, следя за тем, чтобы он вошёл в гнездо и встал в правильном положении. Для отсоединения просто нажмите кнопки на конце шланга и потяните. [1]
2. На верхнем конце раздвижной трубы установите рукоятку** шланга или другие принадлежности* по необходимости. [2]

* Только у некоторых моделей

** Могут различаться в зависимости от модели

3. Соедините нижний край выдвигной трубы с насадкой для чистки ковров или твердых напольных покрытий** [3] или закрепите аксессуары* при необходимости.
4. После уборки вы можете хранить* насадки и аксессуары с нижней стороны выдвигной трубы в специальном держателе.

ЭКСПЛУАТАЦИЯ ПЫЛЕСОСА

1. Извлеките шнур питания и подключите вилку шнура к розетке электропитания. Запрещается вытягивать шнур далее красной отметки. [6]
2. Отрегулируйте длину телескопической трубы, переместив регулятор** вверх и подняв или опустив рукоятку шланга в наиболее удобное для уборки положение. [5]
3. Насадка пол/ковер**. Нажмите на педаль, предусмотренную на насадке [4], чтобы выбрать оптимальный режим чистки в зависимости от типа напольного покрытия.

Твердое напольное покрытие: Для защиты напольного покрытия щетки опущены
Ковровое покрытие: Поднятые щетки - для наиболее глубокой очистки.

Насадка пол/ковер**: [4]

- **Уборка твердых напольных покрытий:** Переведите рычаг выбора типа напольного покрытия на насадке в положение «Твердое покрытие» и переместите регулятор всасывания в открытое [4a] или закрытое [4b] положение для наиболее удобной уборки. В этом положении выдвигаются щетки для защиты твердого напольного покрытия.
 - **Уборка ковров:** Переведите рычаг выбора типа напольного покрытия на насадке в положение «Ковер» и переместите регулятор всасывания в открытое положение. В этом положении щетки подняты для более глубокой очистки ковра. [4c] На ковре рекомендуется открыть отверстие регулятора всасывания для более плавного скольжения.
4. Включите пылесос, нажав кнопку Вкл./Выкл. на корпусе пылесоса. [8]
 5. **Фиксированная мощность*** - Пылесос будет работать при фиксированной мощности.

Ручка со встроенными аксессуарами:** [M, M1]

- **Встроенная щелевая насадка:** Конец шланга может быть использован для уборки узких мест вместо щелевой насадки.
- **Насадка для мебели:** Нажмите на фиксаторы, расположенные по бокам, и переместите ручку, чтобы использовать мебельную насадку для очистки текстильных и других мягких поверхностей (шторы, обивка).
- **Щетка для удаления пыли:** Нажмите на фиксаторы, расположенные по бокам, и переместите ручку вниз, затем нажмите на слайдер, чтобы использовать встроенную щетку для пыли. Идеально подходит для очистки твердых поверхностей (клавиатура, плинтусы, книжные полки).
- **Регулятор мощности потока воздуха**:** Отрегулируйте мощность всасывания, открывая или закрывая воздушные клапаны на ручке. [9, O**]

Ручка:** [N,N1]

- **Регулятор мощности потока воздуха**** [O]: Отрегулируйте мощность всасывания, открывая или закрывая воздушный клапан на ручке.
 - **Щетка для удаления пыли:** Он расположен непосредственно под рукояткой шланга.
6. Для отключения прибора по завершении использования нажмите кнопку включения/выключения на главном корпусе. Выньте вилку из розетки и смотайте шнур питания, нажав кнопку автосамтывания шнура.
 7. Временное и длительное хранение пылесоса - Если вы не пользуетесь пылесосом, трубу можно оставить в положении для временного или постоянного хранения. [11]

ДОПОЛНИТЕЛЬНЫЕ АКСЕССУАРЫ

Для достижения максимальной производительности рекомендуется использовать подходящие насадки для разных видов уборки. Эти насадки обозначены на схеме буквами **GP**, **HF** или **CA**.

Насадку типа **GP** можно использовать для очистки как ковров, так и твердых напольных покрытий.

Насадка типа **HF** подходит только для твердых напольных покрытий.

Насадка типа **CA** подходит только для ковров.

Другие насадки являются аксессуарами для особых видов уборки и рекомендуются для использования только в определенных случаях.

Все принадлежности могут быть установлены* на рукоятке шланга или на конце телескопической трубы.

Набор принадлежностей:**

Щелевая насадка – предназначена для очистки углов и труднодоступных мест.

Насадка для уборки мебели – Предназначена для очистки мягкой мебели и тканей.

Щетка для удаления пыли – для книжных полок, рамок картин, клавиатур и прочих деликатных поверхностей.

Насадка для уборки шерсти животных* [Z] – Мини турбощетка предназначена для чистки лестниц или глубокой очистки тканевых поверхностей и других труднодоступных для чистки мест. Особенно хорошо подходит для удаления шерсти животных.

Насадка для уборки аллергенов* [AA] – Используйте мини турбощетку для чистки лестниц или глубокой очистки тканевых поверхностей и других сложных покрытий, идеально подходит для удаления аллергенов.

Щетки для ухода за паркетом* [AC,AB] – Для паркетных полов и других деликатных поверхностей, требующих осторожного обращения.

Длинная щетка 2-в-1* [X] – Щелевая насадка и насадка для уборки пыли - Подходит для уборки труднодоступных мест, таких как книжные полки или высокорасположенные углы.

ВНИМАНИЕ! Запрещается использование мини турбощетки на коврах с длинной бахромой, на шкурах животных и на коврах с ворсом длиннее 15 мм. Во время вращения щетки не следует держать насадку без действия.

Набор аксессуаров для автомобиля* [AD]:

Гибкая щелевая насадка размера XL* – Идеальный вариант для уборки автомобиля. Ее длины достаточно для уборки в труднодоступных местах и узких щелях.

Большая щетка для уборки пыли со встроенной насадкой для мебели* – подходит для очистки мягких и деликатных поверхностей в автомобиле и доме.

Сумка для аксессуаров* – для аккуратного хранения всех аксессуаров.

ТЕХНИЧЕСКОЕ ОБСЛУЖИВАНИЕ ПЫЛЕСОСА**Очистка пылесборника**

Как только количество

пыли достигает максимального уровня, необходимо опустошить пылесборник.

ВНИМАНИЕ! Для поддержания оптимальной производительности не следует допускать накопления пыли выше максимального указанного уровня.

1. Выключите пылесос, нажав кнопку включения/выключения на главном корпусе [8], и выньте вилку из розетки.
2. Поднимите ручку контейнера для сбора пыли и снимите контейнер с пылесоса. [12]
3. Придерживайте контейнер одной рукой, а другой нажмите кнопку открывания откидной крышки. [13]
4. Закройте откидную крышку контейнера для сбора пыли и установите контейнер в основной корпус пылесоса.

Очистка моющихся фильтров

В пылесосе установлен фильтр голубого цвета. В целях сохранения оптимальной работоспособности пылесоса регулярно удаляйте из фильтров пыль, легким постукиванием о края мусорного бака. Фильтры следует промывать после 5 чисток пылесборника, а также в случае избыточного накопления пыли.

ВНИМАНИЕ! Фильтры всех безмешковых моделей пылесосов нуждаются в регулярной очистке. Если не очищать фильтры, это может привести к блокировке воздушного потока, перегреву и поломке пылесоса. Это может привести к аннулированию вашей гарантии.

ВНИМАНИЕ! Регулярно проверяйте фильтры и очищайте их при необходимости.

ВНИМАНИЕ! Перед установкой фильтра убедитесь в том, что он до конца просушен.

Для доступа к фильтру электродвигателя:

1. Поднимите ручку контейнера для сбора пыли и снимите контейнер с пылесоса. [12]
2. Придерживайте контейнер для сбора пыли одной рукой, а другой поднимите защелку, чтобы открыть крышку контейнера. [14]
3. Выньте промываемый фильтр, вставленный в крышку контейнера. [16]
4. Аккуратно стряхните пыль, а затем промойте предмоторный фильтр. Запрещается промывать фильтры горячей водой или моющими средствами. Отожмите фильтр и оставьте его сушиться перед повторным использованием. [19, 20]
5. После того, как фильтр полностью просохнет, установите его на место в крышку и верните контейнер в пылесос.

Для извлечения выходного фильтра выполните следующие действия:

1. Отсоедините решетку выходного фильтра в задней части корпуса. [17]
2. Снимите фильтр с пылесоса. [18]
3. Аккуратно вытрясите пыль и промойте фильтр в тёплой воде. Запрещается промывать фильтр горячей водой или моющими средствами. Отожмите фильтр и оставьте его сушиться перед повторным использованием. [19, 20]
4. Хорошо просушив, установите фильтр на решетку, а затем установите решетку в пылесос.

ВНИМАНИЕ! Использование пылесоса без установленного в него фильтра запрещено!

Очистка пылесборника / Очистка отделения

В этом пылесосе применяется уникальная система сепарации и очистки обода Hoover. При необходимости данное отделение можно снять и промыть.

1. Поднимите ручку контейнера для сбора пыли и снимите контейнер с пылесоса. [12]
2. Придерживайте контейнер для сбора пыли одной рукой, а второй поднимите защелку крышки контейнера, чтобы открыть крышку. [14]
3. Выньте модуль системы сепарации (вместе со встроенной системой очистки обода) из контейнера. [15]
4. При необходимости воспользуйтесь салфеткой, чтобы убрать излишки пыли из системы сепарации (вместе со встроенной системой очистки обода).
5. Поместите контейнер для сбора пыли под проточную воду. Ополосните его тёплой водой. Внутренние поверхности промойте простой водой. Запрещается использование мыльных растворов для мытья внутренних поверхностей пылесборника.
6. Установите на место внутренние компоненты контейнера для сбора пыли, предварительно убедившись, что все они полностью просохли.
7. Закройте крышку контейнера и верните его на место в пылесос.

Устранение засоров

1. Убедитесь, что пылесборник заполнен. Если так, см. раздел «Очистка пылесборника».
2. Если пылесборник пуст, а всасывание остается низким:
 - A. Проверьте, не нужно ли очистить фильтр. Если да, см. раздел «Очистка моющихся фильтров».
 - B. Проверьте, нет ли других засорений. - При помощи стержня или палки прочистите телескопическую трубу или гибкий шланг.
 - C. Проверьте, установлен ли предмоторный фильтр.
 - D. Проверьте, не нужно ли очистить циклоническую систему. См. раздел «Очистка сепаратора».

ПЕРЕД ТЕМ, КАК ОБРАТИТЬСЯ В СЕРВИСНУЮ СЛУЖБУ

Если у Вас возникли затруднения в ходе эксплуатации пылесоса, попробуйте установить причины мелких неполадок перед обращением в местный сервисный центр продукции Hoover.

- Подается ли на пылесос рабочее напряжение? Проверьте наличие электричества с помощью другого электрического прибора.
- Не переполнен ли контейнер для сбора пыли? См. раздел «Техническое обслуживание пылесоса».
- Не засорен ли фильтр? См. раздел «Очистка фильтров».
- Нет ли засора в шланге или насадке? См. раздел «Устранение засоров».
- Не перегрелся ли пылесос? Если это так, примерно через 45 минут он снова станет работоспособным.

ВАЖНАЯ ИНФОРМАЦИЯ**ЗАПАСНЫЕ ЧАСТИ И РАСХОДНЫЕ МАТЕРИАЛЫ**

При замене частей используйте только оригинальные запасные части и расходные материалы компании Hoover. Их можно приобрести у вашего местного дилера компании Hoover или в официальном интернет-магазине shop.hoover.ru (кроме запасных частей). При оформлении заказа на запасные части обязательно указывайте номер модели пылесоса.

Сервисное обслуживание компании Hoover

В случае необходимости сервисного обслуживания пылесоса позвоните в местный сервисный центр продукции Hoover.

Качество

BSI ISO 9001

Заводы компании Hoover прошли независимую оценку на предмет соблюдения требований к качеству выпускаемой продукции. Наша продукция изготавливается с применением системы качества, удовлетворяющей требованиям стандарта ISO 9001.

УСЛОВИЯ ГАРАНТИИ

Условия гарантии для данного бытового электрического прибора определяются нашим представительством в стране, где этот электроприбор продан. Более подробную информацию об этих условиях вы можете получить у продавца или из гарантийного сертификата на данный прибор. В случае возникновения ситуации, покрываемой гарантийными обязательствами изготовителя, при обращении в уполномоченную сервисную организацию необходимо предъявить товарно-кассовый чек или иной документ, подтверждающий начало истечения гарантийного срока, предусмотренного условиями гарантии для данного прибора.

Вся представленная в инструкции информация, касающаяся комплектации, технических характеристик, функций, цветовых сочетаний и т.д. носит информационный характер и ни при каких условиях не является публичной офертой. Изготовитель не устанавливает условия и положения покупки, они должны соответствовать требованиям регионального и/или национального законодательства страны продажи товаров.

INSTRUKCJE BEZPIECZNEGO UŻYTKOWANIA

Urządzenie to jest przeznaczone wyłącznie do użytku domowego w sposób opisany w niniejszej instrukcji użytkownika. Prosimy o dokładne zapoznanie się z instrukcją przed rozpoczęciem używania odkurzacza.

Nie pozostawiać urządzenia podłączonego do gniazdka zasilającego. Należy zawsze wyłączać urządzenie i wyjmować wtyczkę przewodu zasilającego z gniazdka po zakończeniu użytkowania, a także przed przystąpieniem do czyszczenia lub wykonywania jakichkolwiek czynności konserwacyjnych.

Urządzenie mogą obsługiwać dzieci w wieku co najmniej 8 lat, a osoby o ograniczonych zdolnościach fizycznych, sensorycznych lub mentalnych, a także osoby nieposiadające odpowiedniego doświadczenia oraz wiedzy, jedynie pod warunkiem że odbywać się będzie to pod nadzorem lub po przeszkoleniu na temat bezpiecznego użycia urządzenia oraz związanych z nim zagrożeń. Dzieci nie mogą bawić się urządzeniem.

Urządzenia nie powinny czyścić ani konserwować dzieci bez nadzoru.

Jeśli przewód zasilający uległ uszkodzeniu, należy natychmiast zaprzestać korzystania z urządzenia. Ze względów bezpieczeństwa przewód zasilający powinien być wymieniany wyłącznie przez serwisanta autoryzowanego punktu serwisowego HOOVER.

Nie zbliżać rąk, stóp, luźnej odzieży ani włosów do obracających się szczotek.

Należy korzystać wyłącznie z końcówek, materiałów eksploatacyjnych oraz części zamiennych zalecanych lub dostarczonych przez firmę HOOVER.

Ładunki elektrostatyczne: Odkurzanie niektórych dywanów może powodować niewielkie naelektryzowanie się odkurzacza. Tego rodzaju ładunki elektrostatyczne nie stanowią zagrożenia dla zdrowia.

Nie używać urządzenia na zewnątrz domu, do odkurzania

mokrych powierzchni ani do zbierania wody.

Nie wolno wciągać twardych lub ostrych przedmiotów, zapalek, gorącego popiołu, niedopałków papierosów ani innych podobnych przedmiotów.

Nie spryskiwać łatwopalnymi cieczami, środkami czyszczącymi w aerozolu ani parą.

Nie stąpać po przewodzie zasilającym podczas korzystania z urządzenia i nie wyjmować wtyczki, ciągnąc za przewód zasilający.

Nie kontynuować eksploatacji uszkodzonego urządzenia.

Nie stawać na przewodzie zasilającym i nie owijać go sobie wokół rąk lub nóg podczas korzystania z urządzenia.

Nie używać urządzenia do odkurzania ludzi lub zwierząt.

Nie ustawiać urządzenia powyżej swojego poziomu podczas odkurzania schodów.

Serwis firmy HOOVER: Aby zapewnić bezpieczne i sprawne działanie tego urządzenia, zalecamy zlecenie prac serwisowych lub napraw wyłącznie serwisantom autoryzowanego punktu serwisowego firmy HOOVER.

Ochrona środowiska

Symbol umieszczony na urządzeniu oznacza, że nie jest ono klasyfikowane jako odpad z gospodarstwa domowego. Urządzenie należy zdać w odpowiednim punkcie utylizacji w celu recyklingu komponentów elektrycznych i elektronicznych.



Urządzenie należy złomować zgodnie z lokalnymi przepisami w sprawie utylizacji odpadów. Dodatkowe informacje na temat sposobu utylizacji, złomowania i recyklingu urządzenia można uzyskać w lokalnym urzędzie miejskim, w komunalnym zakładzie utylizacji odpadów lub w sklepie, w którym produkt został zakupiony.

Urządzenie spełnia wymogi europejskich norm 2014/35/WE, 2014/30/WE oraz 2011/65/WE.

CANDY HOOVER GROUP S.r.l. Via Privata Eden Fumagalli, 20861 Brugherio (MB) Italy

ELEMENTY ODKURZACZA

- | | |
|---|---|
| A. Zestaw pojemnika na kurz | P2. Bezpieczna szybkozłączka rury teleskopowej* |
| B. Obudowa główna odkurzacza | Q. Filtr wylotowy |
| C. Gniazdo | R. Uchwyt na akcesoria* |
| D. Przycisk zasilania On/Off | S. Szczotka dywanowo-podłogowa (GP)** |
| E. Przycisk zwijania przewodu | Sa. Bezpieczna szybkozłączka szczotki uniwersalnej* |
| F. Uchwyt do otwierania pokrywy pojemnika na kurz | Sb. Przełącznik typu podłogi |
| G. Uchwyt zwalniający pojemnik na kurz | Sc. Regulator siły ssania szczotki* |
| H. Pokrywa pojemnika na kurz | T. Filtr przed silnikiem |
| I. System separacji ze zintegrowanym systemem czyszczenia Shroud Cleaning | U. Szczotka dywanowo-podłogowa (GP)** |
| J. Pojemnik na kurz | Ua. Przełącznik typu podłogi |
| K. Przycisk zwolnienia klapy pojemnika na kurz | V. Ssawka do mebli* |
| L. Wąż | W. Ssawka szczelinowa* |
| M. Wygodny uchwyt, regulator siły ssania oraz zintegrowane akcesoria (Patrz punkt M1**) | X. Długa końcówka 2w1* |
| M1. Zintegrowane akcesoria: Wbudowana ssawka szczelinowa, Szczotka do kurzu i ssawka do mebli | Y. Zaawansowana końcówka do mebli* |
| N. Inteligentny uchwyt ze zintegrowaną szczotką do kurzu** | Z. Turboszczotka mini o podwójnym działaniu do usuwania sierści zwierząt* |
| N1. Zintegrowana szczotka do kurzu* | AA. Turboszczotka mini o podwójnym działaniu do usuwania alergenów* |
| O. Regulator siły ssania na uchwycie** | AB. Szczotka ekstra do parkietów* |
| P. Rura teleskopowa** | AC. Szczotka Extra Care do parkietów* |
| P1. Regulacja rury teleskopowej** | AD. Zestaw akcesoriów do samochodu*:
a. Worek na akcesoria
b. Duża szczotka do kurzu
c. Elastyczna ssawka szczelinowa XL |

MONTAŻ ODKURZACZA

Wymij wszystkie elementy z opakowania.

1. Podłącz wąż do obudowy głównej odkurzacza, upewniając się, że został zatrzaśnięty i zablokowany na swoim miejscu. Aby zwolnić: naciśnij przyciski na węży i pociągnij. [1]
2. Podłącz uchwyt węża** do górnej końcówki rury przedłużającej lub zamocuj ewentualne akcesoria*. [2]
3. Podłącz dolną końcówkę rury przedłużającej do ssawki** dywanowej lub podłogowej [3] bądź do ewentualnych akcesoriów*.

4. Akcesoria do czyszczenia można po użyciu przechowywać* w dolnej części rury przedłużającej. Do tego celu należy wykorzystać uchwyt na akcesoria.

KORZYSTANIE Z ODKURZACZA

1. Wyciągnij przewód zasilający i podłącz go do zasilania. Nie należy wyciągać przewodu poza czerwony znacznik. [6]
2. Wyreguluj długość rury teleskopowej poprzez przesunięcie regulatora** rury do góry, a następnie podniesienie lub obniżenie uchwytu węża w taki sposób, aby uzyskać najwygodniejszą pozycję do odkurzania. [5]
3. Szczotka dywanowo-podłogowa**. Naciśnij przycisk dolny na szczotce [4], aby wybrać odpowiedni tryb czyszczenia powierzchni.

Twarda podłoga: Szczotki są obniżone, aby chronić podłogę.

Dywan: Szczotki są uniesione, aby umożliwić głębsze odkurzanie.

Szczotka dywanowo-podłogowa**: [4]

- **Czyszczenie twardych podłóg:** Naciśnij przełącznik typu podłogi na szczotce i ustaw regulator siły ssania w pozycji otwartej [4a] lub zamkniętej [4b], aby dobrać najwygodniejszą pozycję do czyszczenia. W tej pozycji szczotki są obniżone, aby chronić twarde podłogi.
 - **Czyszczenie dywanów:** Naciśnij przełącznik typu podłogi na szczotce do trybu Dywan i ustaw regulator siły ssania na szczotce w pozycji otwartej. W tej pozycji szczotki są podniesione, aby zapewnić głębsze czyszczenie dywanu. [4c] Sugeruje się otwarcie regulatora siły ssania na dywanie, aby zapewnić lepszy poślizg.
4. Włącz odkurzacz, naciskając wyłącznik znajdujący się na obudowie głównej odkurzacza. [8]
 5. **Sterowanie mocą*** - Odkurzacz może pracować przy różnych ustawieniach poziomu mocy.

Zaawansowany wygodny uchwyt ze zintegrowanymi akcesoriami:** [M, M1]

- **Wbudowana ssawka szczelinowa:** Końcówkę uchwytu rury można użyć jako ssawki szczelinowej przy wąskich przestrzeniach.
- **Ssawka do mebli:** Naciśnij zatrzaski po obu stronach uchwytu i przesunij je w dół, aby uwolnić ssawkę do mebli do czyszczenia miękkich powierzchni i tkanin (firan, obić).
- **Szczotka do kurzu:** Naciśnij zatrzaski po obu stronach uchwytu i przesunij je w dół, a następnie przesunij suwak do końca, aby zwolnić wbudowaną szczotkę do kurzu. Idealnie nadaje się do twardych powierzchni (regałów, klawiatur, listw przypodłogowych).
- **Regulator siły ssania**:** Wyreguluj ssanie poprzez otwarcie lub zamknięcie zaworu wlotu powietrza na uchwycie. [9, O**]

Inteligentny uchwyt:** [N,N1]

- **Regulator siły ssania**** [O]: Wyreguluj moc ssania poprzez zamknięcie lub otwarcie zaworu powietrza na uchwycie
 - **Szczotka do kurzu:** Jest on zintegrowany bezpośrednio pod uchwytem węża.
6. Wyłącz po zakończeniu użycia poprzez naciśnięcie przycisku Wł./Wył. na obudowie głównej odkurzacza. Wyjmij wtyczkę z gniazdka i naciśnij przycisk zwijania przewodu, aby zwinąć przewód zasilający.
7. Przerwa w pracy i przechowywanie - Rurę można zablokować w bezpiecznym położeniu w trakcie przerwy w pracy lub w położeniu do przechowywania, gdy odkurzacz nie jest w użyciu. [11]

DODATKOWE AKCESORIA

Aby uzyskać optymalne wyniki oraz wydajność energetyczną, zaleca się stosowanie prawidłowych końcówek podczas głównych czynności czyszczenia. Ssawki są wskazane na schematach i oznaczone literami **GP**, **HF** lub **CA**.

Ssawką typu **GP** można odkurzać zarówno dywany, jak i twarde podłogi.

Ssawka typu **HF** jest odpowiednia tylko do odkurzania twardych podłóg.

Ssawka typu **CA** jest odpowiednia tylko do odkurzania dywanów.

Pozostałe ssawki to akcesoria do specjalistycznych zadań czyszczących. Zaleca się używać ich jedynie okazjonalnie.

Wszystkie akcesoria mogą zostać zamocowane na uchwycie* lub końcu rury teleskopowej.

Zestaw akcesoriów:**

Ssawka szczelinowa – Do odkurzania kątów i innych trudno dostępnych miejsc.

Szczotka do mebli – Do miękkich mebli i tkanin.

Szczotka do kurzu – Do pótek z książkami, ram obrazów, klawiatur i innych delikatnych miejsc.

Turboszczotka o podwójnym działaniu do usuwania sierści zwierząt* [Z] – Turboszczotka mini służy do odkurzania schodów lub głębokiego odkurzania powierzchni pokrytych tkaninami i innych trudnych do czyszczenia powierzchni. Nadaje się w szczególności do usuwania sierści zwierząt.

Turboszczotka o podwójnym działaniu do usuwania alergenów* [AA] – Turboszczotka mini służy do odkurzania schodów, głębokiego odkurzania powierzchni pokrytych tkaninami i innych trudnych do czyszczenia powierzchni miękkich, nadaje się w szczególności do usuwania sierści zwierząt domowych.

Szczotki do parkietów Extra Care i Care* [AC,AB] – Do parkietów i innych delikatnych powierzchni podłogowych.

Długa końcówka 2w1* [X] – Ssawka szczelinowa i szczotka do kurzu - Pozwala na odkurzenie trudno dostępnych miejsc, np. regałów i narożników.

WAŻNE: Nie należy korzystać z turboszczotek mini do odkurzania dywaników z długimi frędzlami, skór zwierzęcych i puszystych dywanów o włosie dłuższym niż 15 mm. Nie trzymaj końcówek nieruchomo, gdy szczotka się obraca.

Zestaw akcesoriów do samochodu* [AD]:

Elastyczna ssawka szczelinowa XL* – Idealny do czyszczenia samochodu. Jej długość umożliwi czyszczenie wąskich i trudno dostępnych obszarów.

Duża ssawka z wbudowaną szczotką do mebli* – Odpowiednia do czyszczenia miękkich i delikatnych powierzchni w samochodzie i w domu.

Worek na akcesoria* – Ułatwia przechowywanie akcesoriów.

KONSERWACJA URZĄDZENIA**Opróżnianie pojemnika na kurz**

Gdy poziom kurzu osiągnie maksymalny poziom na wskaźniku zapelnienia pojemnika, należy opróżnić pojemnik na kurz.

WAŻNE: Aby uzyskać optymalną wydajność, nie wolno pozwolić, aby poziom kurzu przekroczył maksymalny poziom.

1. Odkurzacz wyłącza się za pomocą przycisku Wł./Wył. na obudowie głównej odkurzacza [8]. Następnie należy wyjąć wtyczkę przewodu z gniazdka.
2. Podnieść uchwyt zwalniający pokrywę pojemnika na kurz i wyjąć zestaw pojemnika na kurz z odkurzacza. [12]
3. Przytrzymać pojemnik na kurz jedną ręką, a drugą nacisnąć przycisk zwalniający jego klapę. [13]
4. Zamknąć klapę pojemnika na kurz i zamontować z powrotem zespół pojemnika na kurz w obudowie głównej odkurzacza.

Czyszczenie filtrów zmywalnych

Odkurzacz wyposażony jest w zestaw niebieskich filtrów. Aby zapewnić optymalną wydajność odkurzania, należy regularnie wymieniać filtry i opukiwać je o bok kosza na śmieci, aby usunąć kurz. Filtry należy myć co 5 wypróżnień pojemnika lub gdy przekroczony zostanie poziom kurzu dla filtra.

WAŻNE: Wszystkie bezworkowe odkurzacze wymagają regularnego czyszczenia filtrów. Niedostateczne czyszczenie filtrów może doprowadzić do zapchania, przegrzania i uszkodzenia odkurzacza. Może to spowodować wygaśnięcie gwarancji.

WAŻNE: Należy regularnie sprawdzać i konserwować filtry.

WAŻNE: Przed założeniem zestawu filtra należy zawsze upewnić się, że całkowicie wysechł.

Aby uzyskać dostęp do filtra przed silnikiem:

1. Podnieść uchwyt zwalniający pokrywę pojemnika na kurz i wyjąć zestaw pojemnika na kurz z odkurzacza. [12]
2. Przytrzymać pojemnik na kurz jedną ręką, a drugą podnieść uchwyt do otwierania pokrywy pojemnika na kurz, aby otworzyć pokrywę. [14]
3. Wyjąć filtr przed silnikiem znajdujący się w pokrywie pojemnika. [16]
4. Delikatnie opukać i umyć filtr przed silnikiem. Nie stosować gorącej wody ani detergentów. Wyciśnij nadmiar wody z filtra i pozostaw do całkowitego wyschnięcia przed ponownym założeniem. [19, 20]

5. Złożyć z powrotem całkowicie osuszony filtr przed filtrem i zamontować w pokrywie pojemnika na kurz, a następnie zamontować pojemnik w odkurzaczu.

Aby uzyskać dostęp do filtra wylotowego:

1. Zwolnić pokrywę filtra wywiewnego w tylnej części odkurzacza. [17]
2. Wyjąć filtr wywiewny z tylnej części odkurzacza. [18]
3. Ostrożnie usunąć kurz i umyć w ciepłej wodzie filtr. Nie stosować gorącej wody ani detergentów. Wycisnąć nadmiar wody z filtra i pozostawić do całkowitego wyschnięcia przed ponownym założeniem. [19, 20]
4. Po całkowitym wyschnięciu zamontować filtr wylotowy w tylnej części odkurzacza i założyć pokrywę filtra.

WAŻNE: Nie należy używać urządzenia bez założonego zestawu filtra.

Czyszczenie pojemnika na kurz/separatora

W odkurzaczu zastosowano system separacji oraz system czyszczenia Shroud Cleaning opracowane przez firmę Hoover. W razie potrzeby separator można wyjąć z pojemnika na kurz i wyczyścić.

1. Podnieść uchwyt zwalniający pokrywę pojemnika na kurz i wyjąć zestaw pojemnika na kurz z odkurzacza. [12]
2. Przytrzymać pojemnik na kurz jedną ręką, a drugą podnieść uchwyt do otwierania pokrywy pojemnika na kurz, aby otworzyć pokrywę. [14]
3. Wyjąć system separacji (wraz ze zintegrowanym systemem Shroud Cleaning) z pojemnika na kurz. [15]
4. Jeśli to konieczne, za pomocą ściereczki usunąć nadmiar kurzu z systemu separacji (w tym ze zintegrowanego systemu czyszczenia Shroud Cleaning).
5. Umieścić pojemnik na kurz pod kranem. Opłukać letnią wodą. Wewnętrzne powierzchnie pojemnika należy czyścić tylko wodą. NIE używać detergentów na bazie mydła do czyszczenia wewnętrznych części pojemnika.
6. Zamontować element wewnętrzny z powrotem w pojemniku. Sprawdzić, czy wszystkie elementy są suche.
7. Zdjąć pokrywę pojemnika na kurz i zamontować zestaw pojemnika na kurz z powrotem w odkurzaczu.

Usuwanie niedrożności

1. Sprawdzić, czy pojemnik na kurz jest pełny. Jeśli tak, zobacz rozdział „Opróżnianie pojemnika na kurz”.
2. Jeśli pojemnik na kurz jest pusty, ale siła ssania jest nadal niedostateczna:
 - A. Czy trzeba wyczyścić filtry? Jeśli tak, zobacz rozdział „Czyszczenie filtrów zmywalnych”.
 - B. Sprawdź, czy występują jakiegokolwiek niedrożności w układzie. - Za pomocą patyka lub pręta przetkaj rurę przedłużającą lub przewód giętki.
 - C. Sprawdź, czy filtr przed silnikiem jest zamocowany.
 - D. Sprawdź, czy separator wymaga czyszczenia. Zobacz rozdział „Czyszczenie separatora”.

LISTA KONTROLNA UŻYTKOWNIKA

W razie wystąpienia problemu z urządzeniem należy skorzystać z poniższej prostej listy kontrolnej użytkownika przed skontaktowaniem się z lokalnym serwisem firmy Hoover.

- Czy gniazdko, do którego podłączono odkurzacza, jest pod napięciem? Sprawdź gniazdko elektryczne, podłączając do niego inne urządzenie elektryczne.
- Czy pojemnik na kurz jest przepełniony? Zobacz rozdział „Konserwacja odkurzacza”.
- Czy filtr jest niedrożny? Patrz ‘Czyszczenie filtra’.
- Czy wąż lub szczotki są zatkane? Zobacz rozdział „Usuwanie niedrożności z układu”.
- Czy nie nastąpiło przegrzanie odkurzacza? W przypadku przegrzania odkurzacza automatycznie ponownie uruchomi się po około 30 minutach.

WAŻNE INFORMACJE

CZĘŚCI ZAPASOWE I MATERIAŁY EKSPLOATACYJNE MARKI HOOVER

Należy zawsze wymieniać części na oryginalne części zapasowe firmy Hoover. Można je nabyć w lokalnym serwisie firmy Hoover lub bezpośrednio w firmie Hoover. Przy zamawianiu części zawsze należy podać numer danego modelu.

Serwis firmy Hoover

Jeśli kiedykolwiek wymagana będzie naprawa, należy skontaktować się z lokalnym punktem serwisowym firmy Hoover.

Jakość

BSI ISO 9001

Fabryki firmy Hoover zostały poddane niezależnej kontroli pod kątem jakości. Nasze produkty zostały wytworzone z wykorzystaniem systemu kontroli jakości spełniającego wymogi normy ISO 9001.

GWARANCJA

Warunki gwarancji na niniejsze urządzenie są określone przez naszego przedstawiciela w kraju, w którym urządzenie jest sprzedawane. Szczegółowe informacje na temat warunków gwarancji można uzyskać w punkcie, w którym urządzenie zostało nabyte. Przy zgłaszaniu wszelkich roszczeń w ramach gwarancji należy przedstawić dowód sprzedaży lub pokwitowanie.

Zastrzegamy sobie możliwość wprowadzania zmian bez wcześniejszego powiadomienia.

NÁVOD K BEZPEČNÉMU POUŽITÍ

Tento vysavač by měl být používán pouze pro úklid domácnosti a v souladu s touto uživatelskou příručkou. Než začnete spotřebič používat, prosím, ujistěte se, že rozumíte tomuto návodu.

Nenechávejte zařízení zapojené v zásuvce. Po použití, před čištěním nebo jakoukoli údržbou zařízení vždy vypněte a síťový kabel vytáhněte ze zásuvky.

Tento přístroj smí používat děti od 8 let výše. Osoby se sníženými fyzickými, smyslovými nebo mentálními schopnostmi nebo s nedostatkem zkušeností a znalostí smí tento přístroj používat, pokud jsou pod dohledem nebo jim byly dány pokyny týkající se bezpečného používání a byly seznámeny s možnými riziky. S přístrojem si nesmí hrát děti. Čištění a údržbu nesmí provádět děti bez dohledu.

Jestliže je poškozen síťový kabel, okamžitě přestaňte zařízení používat. Abyste se vyhnuli ohrožení bezpečnosti, síťový kabel musí vyměnit autorizovaný technik společnosti HOOVER.

Udržujte dostatečnou vzdálenost rukou, nohou, volného oděvu a vlasů z dosahu otočných kartáčů.

Používejte výhradně příslušenství, spotřební materiál a náhradní díly doporučené nebo dodávané firmou HOOVER.

Statická elektřina: Při čištění některých koberců vzniká malé množství statické elektřiny. Vzniklé výboje statické elektřiny nejsou zdraví nebezpečné.

Nepoužívejte vaše zařízení venku, nebo na mokré povrchy a na mokrá vysávání.

Nevysávejte tvrdé nebo ostré předměty, zápalky, žhavý popel, cigaretové nedopalky a podobné předměty.

Nestříkejte při používání vysavače nebo nevysávejte hořlavé kapaliny, čisticí tekutiny, aerosoly nebo jejich výpary.

Během používání vysavače nepřejíždějte přes síťový kabel a nevytahujte síťový kabel ze zásuvky taháním za něj.

Nepoužívejte zařízení, pokud Vám připadá vadné.

Během použití vysavače nešlapejte na síťový kabel, ani si

jej neovíjejte kolem paží či nohou.

Nepoužívejte vysavač k čištění zvířat a osob.

Při úklidu schodů nestavte zařízení na vyšší schod, než se nacházíte vy.

Servis HOOVER: Pro zajištění vždy bezpečné a efektivní práce s vysavačem doporučujeme, aby jakékoliv servisní práce nebo opravy prováděl pouze autorizovaný servisní pracovník společnosti Hoover.

Životní prostředí

Symbol na tomto zařízení označuje, že tento výrobek nesmí být likvidován jako domovní odpad. Zařízení musí být předáno do příslušného sběrného místa pro likvidaci elektrických a elektronických zařízení. Likvidace musí proběhnout v souladu s místními ekologickými předpisy pro likvidaci odpadu. Pro další podrobné informace o zacházení, novém použití a likvidaci tohoto zařízení, prosím, kontaktujte váš místní úřad, společnost pro sběr odpadu nebo obchod, kde jste jej zakoupili.



Tento spotřebič je v souladu s evropskými směrnicemi 2014/35/EU, 2014/30/EU a 2011/65/EU.

CANDY HOOVER GROUP S.r.l. Via Privata Eden Fumagalli, 20861 Brugherio (MB) Italy

SEZNAMTE SE S VAŠÍM VYSAVAČEM

- | | |
|---|--|
| A. Sestava nádoby na prach | P2. Bezpečné připojení teleskopické trubice* |
| B. Hlavní tělo vysavače | |
| C. Parkovací pozice pro trubici | Q. Výstupní filtr |
| D. Tlačítko zapnout / vypnout | R. Držák příslušenství* |
| E. Tlačítko pro navíjení kabelu | S. Kobercová a podlahová hubice (GP)** |
| F. Otevírací západka víka zásobníku na prach | Sa. Bezpečné připojení kobercové a podlahové hubice* |
| G. Rukojeť pro uvolnění nádoby na prach | Sb. Volič typu podlahy |
| H. Víko nádoby na prach | Sc. Regulátor sání hubice* |
| I. Separační systém s integrovaným čistícím systémem | T. Předmotorový filtr |
| J. Nádoba na prach | U. Kobercová a podlahová hubice (GP)** |
| K. Tlačítko uvolnění klapky nádoby na prach | Ua. Volič typu podlahy |
| L. Hadice | V. Hubice na nábytek* |
| M. Pokročilá pohodlná rukojeť s měkkým úchytem, regulátorem sání a integrovaným příslušenstvím (Viz M1**) | W. Štěrbinová hubice* |
| M1. Integrované příslušenství: Zabudovaná štěrbinová hubice, Prachový kartáč a hubice na nábytek | X. Dlouhá hubice 2v1* |
| N. Inteligentní rukojeť s integrovaným prachovým kartáčem** | Y. Pokročilá hubice na nábytek* |
| N1. Integrovaný prachový kartáč* | Z. Mini Turbo hubice na odstranění zvířecích chlupů* |
| O. Regulátor sání na rukojeti** | AA. Mini Turbo hubice na odstranění alergenů* |
| P. Teleskopická trubice** | AB. Parketová hubice Extra* |
| P1. Nastavení teleskopické trubice** | AC. Parketová hubice Extra Care* |
| | AD. Příslušenství do auta*:
a. Sáček na příslušenství
b. Velký prachový kartáč
c. XL ohebná štěrbinová hubice |

SESTAVENÍ VYSAVAČE

Vybalte všechny díly vysavače.

1. Připojte hadici k vysavači a přesvědčte se, že je spolehlivě zajištěna v provozní poloze. Pro uvolnění hadice: jednoduše stiskněte dvě západky na hadici a zatáhněte za ni. [1]
2. Připojte madlo** hadice k horní teleskopické trubici, případně k příslušenství*. [2]
3. Připojte spodní konec trubice ke kobercové a podlahové hubici** [3], případně k příslušenství*.

* Pouze u některých modelů

** Může se lišit v závislosti na modelu

4. Příslušenství lze po použití uložit* na spodní straně teleskopické trubice pomocí příslušného držáku*.

JAK POUŽÍVAT VYSAVAČ

1. Vytáhněte síťový kabel a zapojte jej do zásuvky. Netahejte za kabel za červenou značkou. [6]
2. Nastavte délku teleskopické trubice posunutím nastavovacího prvku** teleskopické trubice nahoru a zvyšte nebo snižte rukojeť hadice do polohy, která vám nejlépe vyhovuje. [5]
3. Kobercová a podlahová hubice**. Sešlápněte pedál na hubici [4] a zvolte vhodný režim čištění pro daný typ podlahy.

Tvrdá podlaha: Štětiny jsou vysunuté, aby nedošlo k poškrábání podlahy.

Koberec: Se zvednutými štětinami pro nejhlubší čištění.

Kobercová a podlahová hubice:** [4]

- **Čištění tvrdých podlah:** Na hubici stiskněte pedál volby typu podlahy a zvolte tvrdou podlahu. Nastavte regulátor sání hubice do otevřené [4a] nebo zavřené [4b] polohy pro co nejpohodlnější vysávání. V této poloze jsou kartáče spuštěny dolů, aby chránily tvrdé podlahy.
- **Čištění koberců:** Na hubici stiskněte pedál volby typu podlahy a zvolte režim koberce. Regulátor sání hubice nastavte do otevřené polohy. V této poloze jsou kartáče vysunuté pro hlubší čištění koberce. [4c] Na koberec doporučujeme otevřít regulátor sání, aby bylo možné lépe posouvat hubici.
- 4. Vysavač zapínejte a vypínejte pouze tlačítkem zapnutí/vypnutí na hlavním těle spotřebiče. [8]
- 5. **Fixní nastavení výkonu*** - Vysavač bude pracovat s pevným nastavením výkonu.

Pokročilá komfortní rukojeť s integrovaným příslušenstvím: [M, M1]**

- **Integrovaná štěrbinová hubice:** Konec rukojeti hadice můžete použít jako štěrbinovou hubici, abyste se dostali i do úzkých míst.
- **Hubice na nábytek:** Stiskněte západky na obou stranách rukojeti a posuňte je dolů, abyste uvolnili hubici na nábytek pro čištění měkkých povrchů a textilií (závěsy, čalounění).
- **Prachový kartáč:** Stiskněte západky na obou stranách rukojeti a posuňte je směrem dolů, pak zatlačte jezdec na konec, čímž uvolníte vestavěný prachový kartáč. Ideální pro tvrdé povrchy (police, klávesnice, lišty)
- **Regulátor sání**:** Nastavte sací výkon otevřením nebo zavřením vzduchového ventilu na rukojeti. [9, O**]

Inteligentní rukojeť:** [N,N1]

- **Regulátor sání** [O]:** Sací výkon nastavte otevřením nebo zavřením vzduchového ventilu na rukojeti.

- **Prachový kartáč:** Je integrován přímo pod rukojeť hadice.
- 6. Na konci používání vysavač vypněte stisknutím tlačítka zapnout / vypnout na hlavním těle vysavače. Napájecí kabel odpojte a naviňte stisknutím tlačítka pro navíjení kabelu.
- 7. Uložení a skladování - Trubicí je možné zaparkovat na dočasné uskladnění během používání nebo uskladnění pokud vysavač nepoužíváte. [11]

PŘÍSLUŠENSTVÍ

Chcete-li získat co nejlepší výkon a energetickou účinnost, doporučujeme, abyste použili správné hubice. Tyto hubice jsou uvedeny v diagramech symboly **GP, HF nebo CA**.

Hubice typu **GP** lze použít jak na čištění koberce tak na tvrdé podlahy.

Hubice typu **HF** je vhodná pouze pro použití na tvrdé podlahy.

Hubice typu **CA** je vhodná pouze pro použití na koberce.

Další hubice jsou příslušenství pro specializovaná čištění a jsou doporučeny pouze pro příležitostná použití.

Veškeré příslušenství lze upevnit na madlo* nebo na konec teleskopické trubice.

Sada příslušenství**:

Štěrbínová hubice – Na rohy a obtížně přístupná místa.

Hubice na čištění nábytku – Pro šetrné čištění nábytku a tkanin.

Prachový kartáč – Na šetrné čištění knihoven, rámu, klávesnic a jiných delikátních povrchů.

Mini Turbo hubice na odstranění srsti* [Z] – Mini Turbo hubici používejte na úklid schodišť nebo pro hloubkové čištění textilních povrchů a jiných ploch, které se obtížně čistí. Vhodné zejména na odstraňování zvířecích chlupů.

Mini Turbo hubice na odstranění alergenů* [AA] – Mini Turbo hubici používejte pro úklid schodišť nebo pro hloubkové čištění textilních povrchů a jiných obtížně přístupných ploch, hodí se zejména na odstraňování alergenů.

Parketové hubice Extra Care a Extra* [AC,AB] – Na parketové podlahy a jiné citlivé podlahy.

Dlouhá hubice 2v1* [X] – Štěrbínová hubice a prachový kartáč - Umožňuje vyčistit těžko přístupná místa, jako jsou police a vysoké rohy.

DŮLEŽITÉ: Nepoužívejte Mini Turbo hubici na čištění koberců s dlouhými trásněmi, pelíšků domácích zvířat a koberců s vlasem delším než 15 mm. Pokud se kartáč otáčí, hubice nesmí zůstat na jednom místě.

Příslušenství do auta* [AD]:

XL ohebná štěrbinová hubice* – Ideální pro čištění automobilů. Jeho délka umožňuje čištění obtížně dostupných oblastí, jako jsou úzké štěrbin.

Velký prachový kartáč s integrovaným nástavcem na nábytek* – Vhodný k čištění měkkých a jemných povrchů jako jsou například sedačky v automobilu a v domácnosti.

Sáček na příslušenství* – Pro uložení všech příslušenství.

ÚDRŽBA VYSAVAČE

Vyprázdnění nádoby na prach

Když prach dosáhne indikátoru maximální úrovně na nádobě, nádobu vyprázdněte.

DŮLEŽITÉ: Pokud chcete dosáhnout optimální funkce vysavače, množství prachu nesmí přesáhnout maximální úroveň.

1. Vysavač vypněte stisknutím vypínače na hlavním těle vysavače [8] a vytáhněte napájecí kabel ze zásuvky.
2. Zvedněte uvolňovací rukojeť nádoby na prach a vyjměte nádobu na prach z vysavače. [12]
3. Jednou rukou držte nádobu na prach a druhou rukou stiskněte uvolňovací tlačítko klapky nádoby na prach. [13]
4. Zavřete klapku nádoby na prach a nasadte ji zpět na hlavní tělo vysavače.

Čištění omyvatelného filtru

Vysavač je vybaven modrým filtrem. Zajištění optimálního výkonu vyžaduje pravidelné čištění filtrů, ze kterých je třeba oklepat prach o okraj koše. Filtry je nutné omývat po každém pátém vysypání nebo v případě značného znečištění.

DŮLEŽITÉ: Všechny bezsáčkové vysavače vyžadují pravidelné čištění filtrů. V opačném případě může dojít k zablokování proudění vzduchu, přehřátí a závadě vysavače. To může vést ke ztrátě záruky.

DŮLEŽITÉ: Pravidelně kontrolujte a čistěte filtry.

DŮLEŽITÉ: Vždy se ujistěte, že jsou před instalací do vysavače filtry dokonale suché.

Přístup k předmotorovému filtru:

1. Zvedněte uvolňovací rukojeť nádoby na prach a vyjměte nádobu na prach z vysavače. [12]
2. Jednou rukou držte nádobu na prach a druhou rukou nadzvedněte západku na otevření víka a otevřete nádobu na prach. [14]
3. Vyjměte předmotorový filtr, který se nachází ve víku nádoby na prach. [16]
4. Jemně předmotorový filtr oklepejte a umyjte. Nepoužívejte horkou vodu nebo mycí prostředky. Odstraňte přebytečnou vodu z filtru a před použitím filtr nechte dokonale vyschnout. [19, 20]
5. Když je předmotorový filtr zcela suchý, připevněte jej zpět do víka a nádobu na prach připevněte zpět k vysavači.

Přístup k výstupnímu filtru:

1. Odjistěte kryt výstupního filtru na zadní straně vysavače. [17]
2. Vyjměte výstupní filtr ze zadní strany vysavače. [18]
3. Filtr opatrně vyklepejte a umyjte v teplé vodě. Nepoužívejte horkou vodu nebo mycí prostředky. Odstraňte přebytečnou vodu z filtru a před použitím filtr nechte dokonale vyschnout. [19, 20]
4. Když je výstupní filtr úplně suchý, znovu jej vložte do zadní strany vysavače a nasadte zpět kryt výstupního filtru.

DŮLEŽITÉ: Nepoužívejte vysavač bez instalovaného filtru.

Čištění nádoby na prach / separační jednotky

Tento vysavač používá separační systém, který je unikátní pro firmu Hoover. V případě potřeby lze vyjmout separační jednotku z nádoby na prach, abyste ji mohli vyčistit.

1. Zvedněte uvolňovací rukojeť nádoby na prach a vyjměte nádobu na prach z vysavače. **[12]**
2. Jednou rukou podržte nádobu na prach a druhou rukou nadzvedněte západku na otevření víka nádoby na prach. **[14]**
3. Odstraňte separační systém (včetně integrovaného čistícího systému) z nádoby na prach. **[15]**
4. V případě potřeby hadříkem odstraňte nadměrný prach ze separačního systému (včetně integrovaného čistícího systému).
5. Vložte nádobu na prach pod tekoucí vodu. Opláchněte vlažnou vodou. Vnitřní plochy nádoby na prach omývejte pouze vodou. K čištění vnitřního prostoru nádoby na prach **NEPOUŽÍVEJTE** mýdlové čisticí prostředky.
6. Ujistěte se, že jsou všechny části suché. Teprve poté připevněte vnitřní části zpět do nádoby na prach.
7. Uzavřete víko nádoby na prach a připevněte ji zpět k vysavači.

Odstranění překážky

1. Zkontrolujte, zda není nádoba na prach plná. Pokud tomu tak je, postupujte podle části „Vyprázdnění nádoby na prach“.
2. Nádoba na prach je prázdná, avšak sání je stále nedostatečné:
 - A. Je třeba vyčistit filtry? Pokud ano, viz část „Čištění omyvatelného filtru“.
 - B. Zkontrolujte, zda není v systému jiná překážka - K odstranění jakékoliv překážky z teleskopické trubice nebo hadice použijte vhodné nářadí.
 - C. Zkontrolujte, zda je předmotorový filtr na svém místě.
 - D. Zkontrolujte, zda není nutné vyčistit separační jednotku. Viz část „Čištění separační jednotky“.

KONTROLNÍ SEZNAM UŽIVATELE

Pokud máte jakýkoli problém s výrobkem, prosím, proveďte kontrolu podle tohoto seznamu, než se obrátíte na servisní středisko Hoover.

- Funguje správně elektrická zásuvka, k níž je vysavač připojen? Zkontrolujte ji pomocí jiného spotřebiče.
- Není zásobník na prach přeplněný? Viz „Údržba vysavače“.
- Není filtr ucpaný? Pokud ano, viz část „Čištění omyvatelného filtru“.
- Není ucpaná hadice nebo hubice? Viz „Odstranění překážky ze systému“.
- Není vysavač přehřátý? Pokud ano, vyčkejte přibližně 30 minut, než se vysavač vrátí do funkčního stavu.

DŮLEŽITÉ INFORMACE

NÁHRADNÍ DÍLY A SPOTŘEBNÍ MATERIÁLY HOOVER

Vždy používejte originální náhradní díly společnosti Hoover. Získáte je u místního prodejce výrobků Hoover nebo u servisních partnerů. Při objednávce dílů laskavě vždy uvádějte číslo modelu.

Servis společnosti Hoover

S opravami se obračejte vždy na místní servisní středisko společnosti Hoover.

Kvalita

BSI ISO 9001

Kvalita výroby ve výrobních továrnách společnosti Hoover byla posouzena nezávislou organizací. Naše výrobky jsou vyráběny podle systému jakosti, který splňuje požadavky ISO 9001.

Vaše záruka

Záruční podmínky pro tento vysavač stanovuje Váš zástupce v zemi, v níž je prodáván. Přesné znění podmínek vám poskytne prodejce, u něhož jste si zařízení zakoupili. Při reklamaci podle těchto záručních podmínek je nutno předložit doklad o koupi nebo účtenku.

Právo změny bez předchozího upozornění vyhrazeno.

NAVODILA ZA VARNO UPORABO

Sesalnik lahko uporabljate le za čiščenje stanovanjskih prostorov, kot je opisano v tem priročniku. Prosimo, da se pred uporabo sesalnika temeljito seznanite s temi navodili.

Sesalnika ne puščajte priključenega na električno omrežje. Po vsaki uporabi ali pred kakršnimi koli vzdrževalnimi deli in čiščenjem naprave sesalnik vedno izklopite in izvlecite vtikač iz električne vtičnice.

To napravo lahko uporabljajo otroci, starejši od 8 let ter osebe z zmanjšanimi telesnimi, zaznavnimi in mentalnimi sposobnostmi ali osebe s pomanjkljivimi izkušnjami in znanjem, če so pod nadzorom ali so bile ustrezno podučene o varni uporabi naprave ter se zavedajo nevarnosti, ki so povezane z njegovo uporabo. Otroci se ne smejo igrati z aparatom.

Otroci ne smejo čistiti ali vzdrževati aparata brez nadzora. Če je napajalni električni kabel poškodovan, nemudoma prenehajte z uporabo sesalnika. Da bi se izognili nevarnosti, mora napajalni kabel zamenjati pooblaščen Hooverjev serviser.

Imejte roke, noge, ohlapna oblačila in lase proč od vrtljivih krtič.

Uporabljajte le priključke, potrošni material ali nadomestne dele, ki jih priporoča ali dobavi podjetje Hoover.

Statična elektrika: Nekatero preproge lahko ustvarjajo manjšo količino statične elektrike. Noben statični električni naboj ne ogroža zdravja.

Sesalnika ne smete uporabljati na prostem, na kakršni koli mokri površini ali za sesanje tekočin.

Ne smete sesati trdih ali ostrih predmetov, vžigalic, vročega pepela, cigaretne ogorkov ali drugih podobnih snovi.

Ne smete pršiti ali sesati vnetljivih tekočin, čistil, osvežilcev zraka ali njihovih hlapov.

Ne smete zapeljati prek napajalnega kabla med uporabo sesalnika ali izvleči vtikača tako, da bi vlekli za kabel.

Ne smete nadaljevati z uporabo sesalnika, če opazite

nepravilnosti v delovanju.

Med uporabo sesalnika ne smete stati na kablu ali si ga ovijati okoli rok ali nog.

Sesalnika ne smete uporabljati za sesanje na živalih ali ljudeh.

Sesalnika ne smete postavljati nad seboj, ko sesate stopnice.

Servis HOOVER: Za zagotovitev nenehnega varnega in učinkovitega delovanja naprave priporočamo, da servisiranje ali popravila izvaja le pooblaščen Hooverjev serviser.

Okolje

Simbol na izdelku pomeni, da izdelka ne smete odstraniti kot gospodinjski odpadki. Oddati ga morate na zbirnem mestu za recikliranje električne in elektronske opreme. Odstranitev morate izvesti v skladu s krajevnimi okoljskimi predpisi glede odstranjevanja odpadkov. Za podrobnejše informacije o ravnanju z izdelkom, obnovi in recikliranju izdelka se obrnite na krajevni urad, komunalno podjetje za odvoz gospodinjskih odpadkov ali trgovino, kjer ste izdelek kupili.



Ta naprava je v skladu z evropskimi direktivami 2014/35/EU, 2014/30/EU in 2011/65/EU.

CANDY HOOVER GROUP S.r.l. Via Privata Eden Fumagalli, 20861 Brugherio (MB) Italy

SPOZNAJTE SVOJ SESALNIK

- | | |
|--|---|
| A. Sestava posode za prah | P1. Regulator teleskopske cevi** |
| B. Glavno ohišje sesalnika | P2. Teleskopska cev z zavarovanim priklopom* |
| C. Reža za pritrditev | Q. Izhodni filter |
| D. Gumb za vklop / izklop / nastavljanje sesalne moči | R. Držalo za pripomočke* |
| E. Gumb za navijanje kabla | S. Krtača za preproge in tla (GP)** |
| F. Zaklopka za odpiranje pokrova posode za prah | Sa. Krtača za preproge in tla z zavarovanim priklopom* |
| G. Ročaj za sprostitvev posode za prah | Sb. Gumb za prilagajanje vrsti tal |
| H. Pokrov posode za prah | Sc. Nastavitev moči sesanja na krtači* |
| I. Ločevalni sistem z vgrajenim sistemom za čiščenje pokrova | T. Filter pred motorjem |
| J. Posoda za prah | U. Krtača za preproge in tla (GP)** |
| K. Gumb za sprostitvev lopute posode za prah | Ua. Gumb za prilagajanje vrsti tal |
| L. Cev | V. Nastavek za pohištvo* |
| M. Napreden udoben ročaj z mehkim oprijemom, regulatorjem sesanja in vgrajenimi pripomočki (Glejte M1**) | W. Nastavek za čiščenje rež* |
| M1. Integrirani pripomočki: Vgrajen nastavek za čiščenje rež, Krtača za prah in Nastavek za pohištvo | X. Dolg nastavek 2v1* |
| N. Pameten ročaj z vgrajeno krtačo za prah** | Y. Napreden nastavek za pohištvo* |
| N1. Integrirana krtača za prah* | Z. Mini turbo šoba z dvojnim delovanjem za odstranjevanje dlak hišnih ljubljencev* |
| O. Regulator sesanja na ročaju** | AA. Mini Turbo nastavek z dvojnim delovanjem za odstranjevanje alergenov* |
| P. Teleskopska cev** | AB. Krtača za parket Extra* |
| | AC. Krtača za nego parketa Extra* |
| | AD. Komplet pripomočkov za avto*:
a. Vrečka za pripomočke
b. Velika krtača za prah
c. XL upogljiv nastavek za reže |

SESTAVLJANJE SESALNIKA

Iz embalaže odstranite vse sestavne dele.

- Gumijasto cev priključite na sesalnik in poskrbite, da se zaskoči na svoje mesto. Za sprostitvev: pritisnite gumbe na skrajnem koncu cevi in povlecite. [1]
- Povežite ročaj cevi** z zgornjim koncem podaljška cevi ali s pripomočkom*, če je to potrebno. [2]
- Raztegljivo cev pritrdite na krtačo** za sesanje tepiha ali trdnih talnih površin [3] ali po potrebi pritrdite drugi pripomoček*.
- Pripomočke za čiščenje lahko po uporabi shranite* na spodnjo stran raztegljive cevi tako, da uporabite priloženo* držalo za pripomočke.

* Le pri določenih modelih ** Se razlikuje pri različnih modelih

UPORABA SESALNIKA

- Izvlomite napajalni kabel in ga potisnite vtikač v električno vtičnico. Kabla ne vlecite naprej od rdeče oznake. [6]
- Prilagodite dolžino teleskopske cevi s premikanjem pripomočka za prilagajanje** navzgor in dvignite ali spustite ročaj cevi na najbolj priročen položaj za čiščenje. [5]
- Nastavek za sesanje preprog in tal**. Pritisnite tipko nastavka [4] in izberite najboljši način za čiščenje vaših tal.

Trde talne površine Krtače so spuščene, da ščitijo tla.

Preproga: Krtače so dvignjene za globlje sesanje.

Nastavek za sesanje preprog in tal**: [4]

- **Čiščenje trdnih talnih površin:** Pritisnite tipko za izbiro tal na nastavku v načinu Trda tla in nastavite regulator sesanja nastavka tako, da se odpre [4a] ali zapre [4b] za najudobnejši položaj za čiščenje. V tem položaju so za zaščito trdnih tal krtače spuščene.
 - **Čiščenje preprog:** Pritisnite tipko za izbiro tal na nastavku v načinu Preproge in nastavite regulator sesanja nastavka tako, da se položaj odpre. V tem položaju so krtače dvignjene za globlje čiščenje vaše preproge. [4c] Priporoča se, da odprete regulator sesanja na nastavku za preproge, da omogočite boljše drsenje.
- Sesalnik vklopite s pritiskom gumba za vklop/izklop na osrednjem delu sesalnika. [8]
 - Fiksen nadzor moči*** - Sesalnik bo deloval ob nastavljeni stalni moči delovanja.

Napreden udoben ročaj z vgrajenimi pripomočki:** [M, M1]

- **Vgrajen nastavek za čiščenje rež:** Konec ročaja cevi lahko uporabite kot nastavek za reže, s katerim lahko dosežete ozke prostore.
- **Nastavek za pohištvo:** Pritisnite na zaklopke na obeh straneh ročaja in jih potisnite navzdol, da sprostite nastavek za pohištvo za čiščenje mehkih površin in tekstila (zavese, oblazinjeno pohištvo).
- **Krtača za prah:** Pritisnite na zaklopke na obeh straneh ročaja in jih potisnite navzdol, nato potisnite drsnik na konec, da sprostite vgrajeno krtačo za prah. Idealno za trde površine (knjižne police, tipkovnice, drsne plošče).
- **Krmilnik moči sesanja**:** Prilagodite sesanje z odpiranjem ali zapiranjem ventila zraka na ročaju. [9, O**]

Intelligentni ročaj**: [N,N1]

- **Krmilnik moči sesanja** [O]:** Moč sesanja prilagodite tako, da odprete ali zaprete zračni ventil na ročaju.
 - **Krtača za prah:** Vgrajen je neposredno pod ročaj cevi.
- Izklopite po koncu uporabe s pritiskom gumba za vklop/izklop na osrednjem delu sesalnika. Izklopite iz vtičnice in navijte napajalni kabel s pritiskom na gumb za ovijanje kabla.
 - Parkiranje in shranjevanje - Cev lahko med uporabo namestite v lego za začasno odložitev. Ko cevi ne uporabljate, lahko to namestite v lego za odložitev. [11]

DODATNI PRIKLJUČKI

Da bi dobili najboljše delovanje in energetsko učinkovitost, je priporočljivo uporabljati pravilne nastavke za glavne čistilne funkcije. Nastavki so označeni v shemi s črkami **GP**, **HF** ali **CA**.

Nastavek **GP** lahko uporabljate za čiščenje preprog in trdih tal.

HF nastavek je primeren le za trda tla.

CA nastavek je primeren le za preproge.

Drugi nastavki so pripomočki namenjeni za posebno čiščenje in priporočamo le občasno uporabo.

Vse dodatne priključke je mogoče namestiti na konec ročaja* ali na konec teleskopske cevi.

Komplet priključkov**:

Nastavek za čiščenje rež – za čiščenje kotov in težko dostopnih predelov.

Nastavek za pohištvo – Za mehkejšo opremo in materiale.

Krtača za prah – za knjižne police, okvirje slik, tipkovnice in druge občutljive površine.

Krtača za dlake hišnih ljubljenčkov z dvojnimi delovanjem* [Z] – Mini Turbo nastavek uporabljajte za čiščenje stopnic ali globinsko čiščenje tekstilnih površin in površin, ki jih je težko čistiti. Delno primerno za odstranjevanje dlak domačih živali.

Nastavek za odstranjevanje alergenih delcev z dvojnimi delovanjem* [AA] – Ta nastavek uporabljajte za sesanje stopnic ali globinsko sesanje tekstilnih površin in površin, ki jih je težko čistiti, predvsem za odstranjevanje alergenih delcev.

Krtača za nego parketa Extra in nastavek za nego parketa* [AC,AB] – Za parketna tla in druga občutljiva tla.

Dolg nastavek 2v1* [X] – Nastavek za reže in krtača za prah - Omogoča čiščenje težko dostopnih območij kot so knjižne police in visoki koti.

POMEMBNO: Turbo in Mini Turbo nastavka ne uporabljajte na preprogah z dolgimi resicami, na živalski koži in preprogah, ki so globlje od 15 mm. Sesalni nastavek ne sme mirovati, medtem ko se krtača vrti.

Komplet pripomočkov za avtomobil* [AD]:

XL upogljiv nastavek za reže* – Idealen za čiščenje avtomobila. Njegova dolžina omogoča čiščenje težko dostopnih površin in ozkih odprtih.

Velika krtača za odstranjevanje prahu z vgrajeno ščetko za pohištvo* – Ustrezen za čiščenje mehkih in občutljivih površin v avtomobilu in domu.

Vrečka za pripomočke* – Za udobno shranjevanje vseh pripomočkov.

VZDRŽEVANJE SESALNIKA

Praznjenje posode za prah

Ko prah doseže znak za maksimalni nivo na posodi, izpraznite posodo za prah.

POMEMBNO: Za popolno delovanje naj prah ne preseže oznake najvišje ravni.

1. Sesalnik izklopite s pritiskom na gumb za vklop/izklop na glavnem delu [8], in izklopite napajalni kabel.

* Le pri določenih modelih

** Se razlikuje pri različnih modelih

2. Dvignite ročaj za sproščanje posode za prah in posodo odstranite s sesalnika. [12]
3. Posodo za prah držite z eno roko in z drugo pritisnite na zaklopko za sprostitve posode za prah. [13]
4. Zaprite zaklopko za sprostitve posode za prah in ponovno namestite posodo za prah na glavni del sesalnika.

Čiščenje pralnih filtrov

Sesalnik je opremljen z modrim elementom filtra. Za ohranitev popolne učinkovitosti čiščenja redno čistite filtre in udarite ob rob posode, da očistite prah. Filtre morate oprati po vsakih 5 praznjenjih posode za prah ali, ko je praha v filtru preveč.

POMEMBNO: Vsi sesalci brez vrečke zahtevajo redno čiščenje. Če filter ne čistite, lahko to prepreči pretok zraka, pregrevanje in okvaro izdelka. To lahko izniči garancijo.

POMEMBNO: Filtre preverjajte in vzdržujte redno.

POMEMBNO: Pred uporabo vedno preverite, ali je element filtra povsem suh.

Dostopanje do filtra pred motorjem:

1. Dvignite ročaj za sproščanje posode za prah in posodo odstranite s sesalnika. [12]
2. Posodo za prah držite z eno roko in z drugo dvignite zaklopko za odpiranje pokrova posode za prah, da odprete pokrov posode. [14]
3. Odstranite predmotorni filter, ki se nahaja na pokrovu posode. [16]
4. Nežno otresite in operite predmotorni filter. Ne uporabljajte vroče vode ali čistil. Pred ponovno uporabo odstranite odvečno vodo iz filtra in ga pustite, da se popolnoma osuši. [19, 20]
5. Ponovno namestite predmotorni filter na pokrov posode za prah, ko je popolnoma suha, in jo ponovno namestite na čistilnik.

Dostopanje do izhodnega filtra:

1. Pokrov izpušnega filtra odprite na zadnjem delu sesalnikovega ogrodja. [17]
2. Odstranite izpušni filter z zadnjega dela sesalnikovega ogrodja. [18]
3. Nežno stresite in s toplo vodo izperite filter. Ne uporabljajte vroče vode ali čistil. Pred ponovno uporabo odstranite odvečno vodo iz filtra in ga pustite, da se popolnoma osuši. [19, 20]
4. Ko se izpušni filter povsem posuši, ga spet namesite na zadnji del sesalnika, zatem pa namestite še pokrov zpušnega filtra.

POMEMBNO: Izdelka ne uporabljajte brez nameščenega elementa filtra.

Čiščenje posode za prah / enote za ločevanje

Ta sesalnik je opremljen z ločevalnim sistemom in sistemom za čiščenje pokrova, ki ga uporablja samo Hoover. Če je treba, enoto za ločevanje lahko odstranite iz posode za prah in jo očistite.

1. Dvignite ročaj za sproščanje posode za prah in posodo odstranite s sesalnika. [12]
2. Posodo za prah držite z eno roko in z drugo dvignite zaklopko za odpiranje pokrova posode za prah, da odprete pokrov posode za prah. [14]

3. Odstranite ločevalni sistem (vključno z vgrajenim sistemom za čiščenje pokrova) iz posode za prah. **[15]**
4. Če je to potrebno, uporabite krpo za odstranjevanje odvečnega prahu iz ločevalnega sistema (vključno z vgrajenim sistemom za čiščenje pokrova).
5. Postavite posodo za prah pod pipo. Izperite jo z mlačno vodo. Izperite notranje dele posode za odpadke, le z vodo. Za pranje notranjih delov posode za odpadke NE uporabljajte raztopine milnice.
6. Notranje elemente spet namestite v posodo, pred tem pa preverite, ali so povsem suhi.
7. Zaprite loputo posode za prah in posodo za prah spet namestite na sesalnik.

Odpravljanje zamašitve

1. Preverite, ali je posoda za prah polna. Če je, si oglejte 'Praznjenje posode za prah'.
2. Če je posoda za prah prazna, vsesavanje pa je še vedno neučinkovito:
 - A. Je treba očistiti filtre? Če je, potem si oglejte 'Čiščenje pralnih filtrov'.
 - B. Preverite, ali je sistem zamašen še na kakšnem drugem mestu. - z drogom ali palico odstranite oviro iz cevnega podaljška ali gibljive cevi.
 - C. Preverite, če je nameščen pred motorni filter.
 - D. Preverite, če je treba očistiti enoto za ločevanje. Za podrobnosti si oglejte 'Čiščenje enote za ločevanje'.

KONTROLNI SEZNAM UPORABNIKA

Če imate težave z izdelkom, preglejte ta preprost kontrolni seznam za uporabnika, preden pokličete pooblaščen Hooverjev servis.

- Je sesalnik vključen v delujoče električno omrežje? Prosimo vas, da preverite z drugo električno napravo.
- Je posoda za prah preveč napolnjena? Oglejte si 'Vzdrževanje sesalnika'.
- Je zamašen filter? Glejte 'Čiščenje filtra':
- Je blokirana cev ali priključek? Oglejte si 'Odpravljanje zamašitve'.
- Se je sesalnik pregrel? Če je tako, se bo sesalnik samodejno ponastavil po 30 minutah.

POMEMBNE INFORMACIJE

NADOMESTNI DELI IN POTROŠNI MATERIAL HOOVER

Vedno uporabljajte originalne nadomestne dele Hoover. Dobite jih pri lokalnem prodajalcu Hooverjevih izdelkov. Pri naročanju delov vedno navedite številko modela.

Hooverjev servis

Če boste potrebovali servisno storitev, vas prosimo, da se obrnete na pooblaščen krajevni Hooverjev servis.

Kakovost

BSI ISO 9001

Hooverjeve tovarne so bile predmet neodvisnega ocenjevanja kakovosti. Naši izdelki so izdelani na osnovi sistema kakovosti, ki izpolnjuje zahteve standarda ISO 9001.

GARANCIJA

Garancijski pogoji za to napravo so taki, kot jih določi zastopnik v državi, kjer je naprava prodana. Podrobnosti glede garancijskih pogojev lahko dobite od prodajalca, pri katerem ste napravo kupili. Če želite uveljavljati kakršno koli garancijo, potrebujete potrdilo o nakupu ali račun.

Garancija se lahko spreminja brez predhodnega obvestila.

POKYNY PRE BEZPEČNÉ POUŽITIE

Tento spotrebič je určený na domáce čistenie, ako je uvedené v tejto používateľskej príručke. Pred použitím spotrebiča sa, prosím, uistite, že ste tejto príručke plne porozumeli.

Spotrebič nenechávajte zapojený do elektrickej siete. Spotrebič vypnite a vytiahnite zástrčku zo zásuvky vždy po jeho použití, pred čistením, alebo akoukoľvek údržbou.

Tento spotrebič môžu používať deti staršie ako 8 rokov. Osoby s obmedzenými fyzickými, zmyslovými alebo duševnými schopnosťami, alebo nedostatočnými skúsenosťami a znalosťami môžu spotrebič používať vtedy, ak sú pod dohľadom alebo im boli dané pokyny týkajúce sa bezpečného použitia spotrebiča a rozumejú možným rizikám. Deti sa so spotrebičom nesmú hrať.

Čistenie a údržbu nesmú vykonávať deti bez dozoru.

Ak je napájací kábel poškodený, okamžite prestaňte spotrebič používať. Aby nedošlo k ohrozeniu bezpečnosti, napájací kábel musí vymeniť autorizovaný servisný technik spoločnosti HOOVER.

Ruky, nohy, voľné oblečenie a vlasy držte v bezpečnej vzdialenosti od rotujúcich kief.

Používajte iba príslušenstvo, spotrebný materiál alebo náhradné diely odporúčané alebo dodávané spoločnosťou HOOVER.

Statická elektrina: Niektoré koberce môžu spôsobiť menšie nahromadenie statickej elektriny. Prípadný statický výboj nie je zdraviu škodlivý.

Nepoužívajte spotrebič vonku, na akomkoľvek mokrom povrchu alebo na mokré vysávanie.

Nevysávajte tvrdé alebo ostré predmety, zápalky, horúci popol, ohorky cigariet alebo iné podobné veci.

Nesprejujte pri používaní alebo nevysávajte horľavé kvapaliny, čistiace roztoky, aerosóly alebo ich pary.

Pri používaní spotrebiča neprechádzajte cez napájací kábel a nevyťahujte zástrčku ťahaním za neho.

Ak sa zdá, že je prístroj chybný, nepoužívajte ho.

Počas používania spotrebiča nestojte na kábli ani ho neobtáčajte okolo paží alebo nôh.

Nepoužívajte spotrebič na čistenie zvierat alebo ľudí.

Pri čistení schodov neumiestňujte spotrebič nad seba.

HOOVER servis: Pre zaistenie dlhého, bezpečného a účinného fungovania tohto spotrebiča odporúčame, aby všetky servisné úkony alebo opravy vykonával len autorizovaný servisný technik spoločnosti HOOVER.

Prostredie

Tento symbol na spotrebiči informuje, že s týmto spotrebičom sa nesmie zaobchádzať ako s domovým odpadom. Je potrebné ho odovzdať na príslušnom zbernom mieste na recykláciu elektrických a elektronických zariadení. Likvidácia musí byť vykonaná v súlade s miestnymi predpismi pre likvidáciu odpadu. Pre podrobnejšie informácie o nakladaní so spotrebičom, jeho obnove a recyklácii sa obráťte na váš obecný úrad, odpadkovú službu pre domácnosti a alebo obchod, kde ste spotrebič zakúpili.



Tento spotrebič je v súlade s európskymi smernicami 2014/35/EÚ 2014/30/EÚ a 2011/65/EÚ.

CANDY HOOVER GROUP S.r.l. Via Privata Eden Fumagalli, 20861 Brugherio (MB) Italy

POZNAJTE SVOJ VYSÁVAČ

- | | |
|--|---|
| A. Jednotka nádoby na prach | P1. Nastavenie teleskopickej trubice** |
| B. Hlavné telo vysávača | P2. Bezpečné pripojenie teleskopickej trubice* |
| C. Parkovacia pozícia | Q. Výstupný filter |
| D. Tlačidlo zapnutia / vypnutia | R. Držiak príslušenstva* |
| E. Tlačidlo na navíjanie kábla | S. Kobercová a podlahová hubica (GP)** |
| F. Záklopka na otvorenie veka nádoby na prach | Sa. Bezpečné pripojenie kobercovej a podlahovej hubice* |
| G. Uvoľňovacia rukoväť nádoby na prach | Sb. Pedál výberu typu podlahy |
| H. Veko nádoby na prach | Sc. Regulátor sania hubice* |
| I. Separačný systém s integrovaným čistiacim systémom | T. Predmotorový filter |
| J. Nádobka na prach | U. Kobercová a podlahová hubica (GP)** |
| K. Uvoľňovacia záklopka klapky nádoby na prach | Ua. Pedál výberu typu podlahy |
| L. Hadica | V. Nábytková hubica* |
| M. Pokročilá pohodlná rukoväť s mäkkým úchytom, regulátorom sania a integrovaným príslušenstvom (Pozri M1**) | W. Štrbinová hubica* |
| M1. Integrované príslušenstvo: Zabudovaná štrbinová hubica, Prachová kefa a nábytková hubica | X. Dlhý nástavec 2v1* |
| N. Inteligentná rukoväť s integrovanou prachovou kefou** | Y. Pokročilá hubica na nábytok* |
| N1. Integrovaná prachová kefa* | Z. Duálna Mini Turbo hubica na odstraňovanie srsti domácich miláčikov* |
| O. Regulátor sania na rukoväti** | AA. Duálna Mini turbo hubica na odstraňovanie alergénov* |
| P. Teleskopická trubica** | AB. Parketová hubica Extra* |
| | AC. Parketová hubica Extra Care* |
| | AD. Súprava príslušenstva na vozidlo*:
a. Vrecko na príslušenstvo
b. Veľká prachová kefa
c. XL ohybná štrbinová hubica |

AKO ZLOŽIŤ VYSÁVAČ

Vyberte všetky komponenty z obalu.

1. Pripojte hadicu k hlavnému telu vysávača a uistite sa, že dosadla a zapadla na svoje miesto. Uvoľnenie: jednoducho stlačte tlačidlá na konci hadice a potiahnite. [1]
2. Pripojte madlo** hadice k horného koncu teleskopickej trubice alebo prípadne k príslušenstvu*. [2]
3. Pripojte spodný koniec teleskopickej trubice k hubici na koberce a podlahy** [3] alebo prípadne k príslušenstvu*.
4. Doplnky na vysávanie je možné po použití uložiť* na spodok predlžovacej trubice pomocou dodaného držiaka príslušenstva*.

* Iba u niektorých modelov

** Sa môže líšiť v závislosti od modelu

POUŽÍVANIE VYSÁVAČA

1. Vytiahnite sieťový kábel a zapojte ho do elektrickej zásuvky. Kábel nevyťahujte viac ako určuje červená značka. [6]
2. Nastavte dĺžku teleskopickej trubice posunutím nastavovacieho prvku** teleskopickej trubice nahor a zvýšte alebo znížte rukoväť hadice do polohy, ktorá vám najviac vyhovuje. [5]
3. Kobercová a podlahová hubica**. Stlačením pedálu na hubici [4] zvolíte ideálny režim čistenia pre daný typ podlahy.

Tvrďá podlaha: Kefy sú spustené, aby chránili podlahu.

Koberec: So zdvihnutými kefami pre najhlbšie čistenie.

Kobercová a podlahová hubica**: [4]

- **Vysávanie tvrdej podlahy** Na hubici stlačte pedál voľby typu podlahy a zvolíte tvrdú podlahu. Nastavte regulátor sania hubice do otvorenej [4a] alebo zatvorenej [4b] polohy pre čo najpohodlnejšie vysávanie. V tejto polohe sú kefy spustené nadol, aby chránili tvrdé podlahy.
 - **Čistenie kobercov:** Na hubici stlačte pedál voľby typu podlahy a zvolíte režim koberca. Regulátor sania hubice nastavte do otvorenej polohy. V tejto polohe sú kefy zdvihnuté, aby bolo možné koberec lepšie vysať. [4c] Na koberci odporúčame otvoriť regulátor sania hubice, aby sa umožnilo lepšie kízanie.
4. Zapnite vysávač stlačením tlačidla zapnutia/vypnutia na hlavnom tele vysávača. [8]
 5. **Pevné ovládanie výkonu*** - Vysávač bude pracovať na pevne nastavenej úrovni výkonu.

Pokročilá pohodlná rukoväť s integrovaným príslušenstvom:** [M, M1]

- **Vstavaná štrbinová hubica** Koniec rukoväte hadice sa dá použiť ako štrbinová hubica, aby ste sa dostali do úzkych miest.
- **Nábytková hubica:** Zatlačte západky na obidvoch stranách rukoväte a posuňte ich nadol, aby ste uvoľnili nábytkovú hubicu za účelom čistenia jemných povrchov a textílií (záclon, čalúnenia).
- **Prachová kefa:** Zatlačte západky na obidvoch stranách rukoväte a posuňte ich nadol, následne zatlačte posuvník po koniec, aby ste uvoľnili vstavanú prachovú kefu. Ideálna pre tvrdé povrchy (police na knihy, klávesnice, ochranné lišty).
- **Regulátor sania**:** Nastavte sací výkon otvorením alebo zatvorením vzduchového ventilu na rukoväti. [9, O**]

Inteligentná rukoväť**: [N,N1]

- **Regulátor sania** [O]:** Nastavte sací výkon otvorením alebo zatvorením vzduchového ventilu na rukoväti.
 - **Prachová kefa:** Je integrovaná priamo pod rukoväťou hadice.
6. Po ukončení používania spotrebič vypnite stlačením vypínača na hlavnom tele vysávača. Napájací kábel odpojte a navite stlačením tlačidla na navíjanie kábla.
 7. Odstavenie a uskladnenie - Trubicu je možné odložiť počas používania do dočasnej polohy alebo do skladovacej polohy, keď sa už nepoužíva. [11]

PRÍSLUŠENSTVO

Pre čo najlepší výkon a vynikajúcu energetickú účinnosť sa pri hlavnom vysávaní odporúča používanie správnych hubíc. Tieto hubice sú uvedené v grafoch pod písmenami **GP**, **HF** alebo **CA**.

Typ hubice **GP** sa dá použiť na vysávanie kobercov aj tvrdej podlahy.

Typ hubice **HF** je vhodný pre použitie len na tvrdej podlahe.

Typ hubice **CA** je vhodný pre použitie iba na koberec.

Ďalšie hubice sú príslušenstvom pre špeciálne vysávanie a odporúčajú sa iba na príležitostné použitie.

Príslušenstvo je možné upevniť na koniec rukoväti* alebo na koniec teleskopickej trubice.

Sada príslušenstva**:

Štrbinová hubica – Na rohy a ťažko prístupné miesta.

Nábytková hubica – Na mäkký nábytok a textilie.

Prachová kefa – Na police s knihami, na rámy, klávesnice a iné delikátne povrchy.

Mini Turbo hubica odstraňovanie srsti domácich miláčikov* [Z] – Mini Turbo hubica sa používa na upratovanie schodísk alebo na hĺbkové vysávanie textilných povrchov a iných plôch, ktoré sa ťažko čistia. Vhodné hlavne pre odstraňovanie chlupov zvierat.

Mini Turbo hubica na odstraňovanie alergénov s dvojitou funkciou* [AA] – Mini Turbo hubicu používajte pre upratovanie schodísk alebo pre hĺbkové vysávanie textilných povrchov a iných ťažko prístupných plôch. Vhodné hlavne na odstraňovanie alergénov.

Parquetová hubica Extra a Extra Care* [AC,AB] – Na parketové podlahy a iné jemné podlahy.

Dlhý nástavec 2v1* [X] – Štrbinová hubica a prachová kefa - Umožňuje čistiť ťažko dostupné miesta, ako napríklad policičky na knihy a vysoké rohy.

DÔLEŽITÉ: Nepoužívajte Mini Turbo hubicu na čistenie kobercov s dlhými strapcami, pelechov domácich zvierat a kobercov s vlasom dlhším než 15 mm. Keď sa kefa otáča, hubica nesmie zostať na jednom mieste.

Príslušenstvo na vozidlo* [AD]:

XL ohybná štrbinová hubica* – Ideálne na čistenie automobilov. Jeho dĺžka umožňuje vyčistenie ťažko dostupných oblastí, úzke štrbiny.

Široká prachová kefa s integrovanou hubicou na nábytok* – Vhodná na čistenie mäkkých a jemných povrchov ako v automobile, tak i v domácnosti.

Vrecko na príslušenstvo* – Pre uloženie všetkého príslušenstva.

ÚDRŽBA VYSÁVAČA

Vyprázdnenie nádoby na prach

Keď prach dosiahne indikátor maximálnej úrovne na nádobe, vyprázdnite ju.

DÔLEŽITÉ: Pre udržanie čo najlepšieho výkonu nedovoľte, aby bol prach nad indikátorom maximálnej úrovne.

1. Vysávač vypnite stlačením vypínača na hlavnom tele vysávača [8] a vytiahnite

* Iba u niektorých modelov

** Sa môže líšiť v závislosti od modelu

napájací kábel zo zásuvky.

2. Nadvihnite uvoľňovaciu rukoväť nádoby na prach a vyberte nádobu na prach z vysávača. [12]
3. Jednou rukou držte nádobu na prach a druhou rukou stlačte uvoľňovacie tlačidlo klapky nádoby na prach. [13]
4. Zatvorte klapku nádoby na prach a nasadte naspäť jednotku nádoby na prach na hlavné telo vysávača.

Čistenie umývateľných filtrov

Vysávač je vybavený modrou filterovou jednotkou. Zaistenie optimálneho výkonu vyžaduje pravidelné čistenie filtrov, z ktorých treba otriasť prach o okraj koša. Filtre je potrebné čistiť po 5 vysypaniach nádoby na prach alebo v prípade, že je filter zanesený.

DÔLEŽITÉ: Všetky bezsáčkové vysávače si vyžadujú pravidelné čistenie filtrov. V prípade nevyčistenia filtrov môže dôjsť k upchatiu prívodu vzduchu, prehriatiu a zlyhaniu výrobu. Môže to spôsobiť zrušenie záruky.

DÔLEŽITÉ: Filtre pravidelne kontrolujte a starajte sa o ne.

DÔLEŽITÉ: Vždy pred použitím sa uistite, že je filterová jednotka úplne vysušená.

Prístup k predmotorovému filtru:

1. Nadvihnite uvoľňovaciu rukoväť nádoby na prach a vyberte nádobu na prach z vysávača. [12]
2. Jednou rukou držte nádobu na prach a druhou rukou nadvihnutím západky veko otvorte. [14]
3. Odoberte predmotorový filter, ktorý sa nachádza vo veku nádoby. [16]
4. Predmotorový filter jemne poklopte a umyte ho. Nepoužívajte horúcu vodu alebo čistiace prostriedky. Z filtra odstráňte prebytočnú vodu a pred opätovným použitím ho nechajte úplne vyschnúť. [19, 20]
5. Po úplnom vysušení znovu nasadte predmotorový filter do veka nádoby na prach a založte do vysávača.

Prístup k výstupnému filtru:

1. Odopnite kryt výstupného filtra od zadnej časti hlavného tela vysávača. [17]
2. Vyberte výstupný filter zo zadnej časti vysávača. [18]
3. Filter jemne poklopte a umyte teplou vodou. Nepoužívajte horúcu vodu alebo čistiace prostriedky. Z filtra odstráňte prebytočnú vodu a pred opätovným použitím ho nechajte úplne vyschnúť. [19, 20]
4. Po úplnom vysušení znovu nasadte výstupný filter do zadnej časti vysávača a upevnite kryt výstupného filtra.

DÔLEŽITÉ: Nepoužívajte výrobok bez toho, aby bol filter založený.

Čistenie nádoby na prach / separačnej jednotky

Tento vysávač používa špeciálny separačný systém od spoločnosti Hoover. V prípade potreby je možné separačnú jednotku odmontovať od nádoby na prach a vyčistiť.

1. Nadvihnite uvoľňovaciu rukoväť nádoby na prach a vyberte nádobu na prach z vysávača. [12]

2. Jednou rukou držte nádobu na prach a druhou rukou nadvihnutím západky na otvorenie veka nádobu na prach otvorte. [14]
3. Z nádoby na prach vyberte separačný systém (vrátane integrovaného čistiaceho systému). [15]
4. V prípade potreby odstráňte nadmerný prach zo separačného systému (vrátane integrovaného čistiaceho systému) pomocou handričky.
5. Umiestnite nádobu na prach pod tečúcu vodu. Opláchnite letnou vodou. Vnútorne povrchy nádoby na prach umývajte iba vodou. Na umývanie vnútorných častí nádoby na prach **NEPOUŽÍVAJTE** mydlové čistiace prostriedky.
6. Uistite sa, že sú všetky komponenty suché, až potom znova nasadíte vnútorný komponent do nádoby na prach.
7. Zatvorte veko nádoby na prach a vložte zostavu nádoby na prach naspäť do vysávača.

Odstránenie zablokovania

1. Skontrolujte, či nie je nádobu na prach plná. Ak áno, prečítajte si časť Vyprázdenie nádoby na prach.
2. Ak je nádobu na prach prázdna, ale sací výkon je nízky:
 - A. Je potrebné vyčistiť filtre? Ak áno, prečítajte si časť Čistenie umývateľných filtrov.
 - B. Skontrolujte, či v systéme nedošlo k inému upchatiu. - Na odstránenie upchatia teleskopickkej trubice alebo ohybnej hadice použite adekvátny nástroj.
 - C. Skontrolujte umiestnenie predmotorového filtra.
 - D. Skontrolujte, či nie je potrebné vyčistiť separačnú jednotku. Prečítajte si časť "Čistenie separačnej jednotky".

KONTROLNÝ ZOZNAM POUŽÍVATEĽA

Ak máte problém s výrobkom, pred obrátením sa na miestny servis spoločnosti Hoover, prosím, vykonajte kontrolu podľa tohto zoznamu.

- Funguje elektrické napájanie vysávača? Skontrolujte pomocou iného elektrického spotrebiča.
- Je nádobu na prach preplnená? Preštudujte si časť „Údržba vysávača“.
- Nie je upchatý filter? Ak áno, postupujte podľa pokynov v časti „Čistenie filtra“.
- Nie je upchatá hadica alebo hubica? Preštudujte si časť "Odstránenie zablokovania".
- Nie je vysávač prehriaty? Ak áno, prestaňte vysávač používať približne na dobu 30 minút.

DÔLEŽITÉ INFORMÁCIE

Náhradné diely a spotrebný materiál Hoover

Vždy nahrádzajte diely originálnymi náhradnými dielmi od spoločnosti Hoover. Môžete

si ich zakúpiť u svojho miestneho distribútora spoločnosti Hoover alebo priamo od spoločnosti Hoover. Pri objednávaní náhradných dielov láskavo vždy uvádzajte číslo modelu.

Hoover Servis

So všetkými požiadavkami na služby sa prosím obráťte na miestne servisné stredisko spoločnosti Hoover.

Kvalita

BSI ISO 9001

Kvalita v továrňach spoločnosti Hoover bola nezávisle posúdená. Naše výrobky sú vyrobené s využitím systému kvality, ktorý spĺňa požiadavky normy ISO 9001.

Vaša záruka

Záručné podmienky pre tento spotrebič sú definované našim zástupcom v krajine, v ktorej sa predáva. Podrobnosti týkajúce sa týchto podmienok je možné získať u obchodníka, u ktorého bol spotrebič zakúpený. Pri reklamácií podľa týchto záručných podmienok je nutné predložiť doklad o kúpe alebo účtenku.

Právo zmeny bez predchádzajúceho upozornenia vyhradené.

GÜVENLİ KULLANIM TALİMATLARI

Bu ürün kullanım kılavuzunda belirtildiği gibi yalnızca ev temizliği için kullanılmalıdır. Lütfen ürünü kullanmadan önce bu kılavuzun tam olarak anlaşıldığından emin olun.

Süpürgenin fişini prize takılı bırakmayın. Cihazı kullanmadan veya temizlemeden önce ya da herhangi bir bakım işleminden önce daima kapalı konuma getirin ve fişi prizden çekin.

Bu cihaz 8 yaş ve üzeri çocuklar ve yetersiz fiziksel, duyuşsal veya zihinsel kabiliyete sahip kişiler ya da deneyim ve bilgi yoksunu kişiler tarafından bir yetişkinin gözetiminde veya cihazın güvenli bir şekilde kullanımı ile ilgili talimatı ve bulunan tehlikelerin açıkça anlatılması ile kullanılabilir. Çocuklar cihaz ile oynamamalıdır.

Temizleme ve bakım işlemi denetimsiz şekilde çocuklar tarafından yapılmamalıdır.

Güç kablosu hasar görürse cihazı kullanmayı derhal bırakın. Güvenliğin riske atılmaması için, elektrik kablosu mutlaka yetkili HOOVER servis teknisyeni tarafından değiştirilmelidir. Ellerinizi, ayaklarınızı, bol giysileri ve saçlarınızı dönen fırçalardan uzak tutun.

Yalnızca HOOVER tarafından önerilen veya sağlanan ek birimleri, sarf malzemelerini ya da yedek parçaları kullanın.

Statik elektrik: Bazı halılar düşük miktarda statik elektrik yüklenmesine sebep olabilir. Statik elektrik deşarjı sağlığa zararlı değildir.

Cihazınızı dış mekanlarda veya ıslak yüzeylerde ya da ıslak toplama için kullanmayın.

Sert veya keskin nesnelere, kibritleri, sıcak külleri, sigara izmaritleri veya diğer benzeri öğeleri toplamayın.

Yanıcı sıvıları, temizleme sıvılarını, aerosollerini veya spreyleri püskürtmeyin ya da toplamayın.

Cihazı kullanırken güç kablosu üzerine basmayın veya güç kablosundan çekerek prizden çıkarmayın.

Arızalı görünüyorsa cihazınızı kullanmaya devam etmeyin.

Cihazınızı kullanırken kablonun üzerinde durmayın veya kabloyu kolunuza ya da bacaklarınıza sarmayın.

Cihazı hayvanları veya insanları temizlemek için kullanmayın. Merdivenleri temizlerken cihazı sizden daha yükseğe yerleştirmeyin.

HOOVER servisi: Cihazın her zaman güvenli ve verimli bir şekilde kullanılabilmesi için, her türlü bakım veya onarım işinin sadece yetkili HOOVER servis teknisyenleri tarafından yapılmasını öneririz.

Çevre

Bu aygıttaki sembol aygıtın ev atığı gibi işlem yapılamayacağını belirtir. Bunun yerine uygun elektrikli ve elektronik ekipman geri dönüşüm toplama noktasına teslim edilmelidir. İmha, atık imhası için düzenlenen yerel çevre yönetmeliklerine uygun olarak yapılmalıdır. Bu aygıtın ait işlem, kurtarma ve geri dönüşümle ilgili daha ayrıntılı bilgi için, lütfen yerel şehir ofisinizi, ev atığı ve çöp atma servisinizi ya da aygıtı satın aldığınız mağaza ile irtibata geçin.



Bu cihaz, 2014/35/EU, 2014/30/EU ve 2011/65/EU sayılı Avrupa Direktifleri ile uyumludur.

CANDY HOOVER GROUP S.r.l. Via Privata Eden Fumagalli, 20861 Brugherio (MB) Italy

SÜPÜRGENİZİN PARÇALARI

- | | |
|--|--|
| A. Çöp Kutusu Grubu | Q. Çıkış Filtresi |
| B. Elektrikli Süpürge Ana Gövdesi | R. Aksesuar Tutucusu* |
| C. Park mandalı | S. Halı ve Zemin Başlığı (GP)** |
| D. Açma / Kapama Güç Kontrol Düğmesi | Sa. Halı ve Zemin Başlığı |
| E. Kablo Makara Düğmesi | Güvenli Bağlantısı* |
| F. Toz Haznesi Kapağı Açma Mandalı | Sb. Yüzey Seçme Pedalı |
| G. Toz Haznesi Açma Kolu | Sc. Başlık Emme Düzenleyici* |
| H. Çöp Kutusu Kapağı | T. Ön motor filtresi |
| I. Entegre Muhafaza Temizleme Sistemi içeren Ayrırma Sistemi | U. Halı ve Zemin Başlığı (GP)** |
| J. Toz Torbası | Ua. Yüzey Seçme Pedalı |
| K. Toz Haznesi Kapağı Açma Düğmesi | V. Mobilya Başlığı* |
| L. Hortum | W. Kenar Köşe Aparatı* |
| M. Yumuşak Saplı, Emme Regülatörlü ve Entegre Aksesuarlı Gelişmiş Konforlu Kol (Bkz. M1**) | X. Uzun 2'si 1 Arada Başlık* |
| M1. Entegre Aksesuarlar | Y. Gelişmiş Mobilya Başlığı* |
| Dahili Aralık Başlığı, Toz Alma Fırçası ve Mobilya başlığı | Z. Mini Turbo Çift Hareketli Evcil Hayvan Tüyü Temizleyici Başlık* |
| N. Entegre Toz Alma Fırçalı Akıllı Kol** | AA. Mini Turbo Çift Hareketli Alerjen Temizleyici Başlık* |
| N1. Entegre Toz Fırçası* | AB. Parke Ekstra Başlık* |
| O. Kol Emme Regülatörü** | AC. Parke Ekstra Bakım Başlığı* |
| P. Teleskobik Boru** | AD. Aksesuar Araba Kiti*: |
| P1. Teleskopik Boru Ayarlayıcısı** | a. Aksesuar çantası |
| P2. Teleskobik Boru Güvenli Bağlantısı* | b. Büyük Toz Alma Fırçası |
| | c. XL Esnek Kenar Köşe Aparatı |

SÜPÜRGENİZİ KURMA

Tüm parçaları ambalajından çıkartın.

- Hortumu süpürgenin ana gövdesine takın, yerine oturduğundan ve kilitletiğinden emin olun. Serbest bırakmak için: Hortum sonunun üzerindeki düğmelere basın ve çekin. [1]
- Hortum kolunu** uzatma borusu üst kısmı ucuna ya da gerekirse aksesuarlara* bağlayın. [2]
- Uzatma borusu alt kısmını halı veya zemin başlığına** [3] ya da gerekirse aksesuarlara* bağlayın.
- Temizlik aksesuarı araçları, kullanım sonrasında birlikte verilen aksesuar tutucu* kullanılarak uzatma borusunun alt tarafında saklanabilir*.

* Sadece bazı modeller için

** Modele bağlı olarak değişebilir

TEMİZLEYİCİNİN KULLANIMI

- Güç kablosunu uzatın ve güç kaynağına (prize) takın. Kabloyu kırmızı işaretli bölgeden öteye çekmeyin. [6]
- Teleskopik boru ayarlayıcısını** yukarı hareket ettirerek teleskopik borunun uzunluğunu ayarlayın ve hortum kolunu en rahat temizlik pozisyonuna göre yükseltin veya alçaltın. [5]
- Halı & Yer başlığı**. Başlığın üzerindeki pedala basarak [4] zemin türü için ideal temizleme modunu seçin.
Sert Zemin: Fırçalar zemini korumak için geri çekilir
Halı: Derinlemesine temizlik için hareketli fırçalar.

Halı & Yer başlığı**: [4]

- **Sert zemin Temizliği** Sert Zemin modunda başlığın üzerinde yer tipi seçme pedalına basın ve en rahat temizlik pozisyonu için başlık emme regülatörünü açık [4a] veya kapalı [4b] konuma ayarlayın. Bu konumda fırçalar sert zeminleri koruma için alçalır.
- **Halı Temizleme:** Halı modunda başlığın üzerinde yer tipi seçme pedalına basın ve pozisyonu açmak için başlık emme regülatörünü ayarlayın. Bu konumda halınızın derinlemesine temizliği için fırçalar yükselir. [4c] Daha iyi kayma sağlamak için halı üzerinde başlık emme regülatörünü açmanız önerilir.
- 4. Süpürgeyi ana gövdedeki Açma/Kapama düğmesine basarak açın. [8]
- 5. **Sabit güç kontrolü*** - Temizleyici sabit güç ayarında çalışacaktır.

Entegre Aksesuarlı Gelişmiş Konforlu Kol** [M, M1]

- **Dahili Aralık Başlığı:** Hortum kolu ucu, dar alanlara erişmek için bir aralık başlığı olarak kullanılabilir.
- **Mobilya Başlığı:** Kolun her iki tarafında bulunan mandallara basın ve aşağıya doğru kaydırarak yumuşak yüzeyleri ve kumaşları (perdeler, döşeme) temizlemek üzere mobilya başlığını serbest bırakın.
- **Toz Alma Fırçası:** Kolun her iki tarafında bulunan mandallara basın ve aşağıya doğru kaydırın, ardından kaydırıcıyı uca iterek dahili toz alma fırçasını serbest bırakın. Sert yüzeyler (kitap rafları, klavyeler, süpürgelikler) için uygun.
- **Emiş Kontrolü**:** Kol üzerindeki hava valfini açarak veya kapatarak emişi ayarlayın. [9, O**]

Saptan Kumanda**: [N,N1]

- **Emiş Kontrolü** [O]:** Kol üzerinde bulunan hava valfini açarak ya da kapatarak emme gücünü ayarlayın.
- **Toz Alma Fırçası:** Doğrudan hortum kolunun altına entegre edilmiştir.
- 6. Kullanım sonrasında ana gövdedeki Açma/Kapama düğmesine basarak kapatın. Fişi çekin ve güç kablosunu kablo makara düğmesine basarak toplayın.
- 7. Yerleştirme ve Saklama - Boru, depolama veya kullanım sırasında geçici depolama için sabitlenebilir. [11]

AKSESUARLAR

En iyi performans ve enerji verimliliği için ana temizleme işlemlerinde doğru başlıkların kullanılması önerilir. Bu başlıklar, şemalarda **GP**, **HF** veya **CA** harfleri ile gösterilmiştir.

GP tip başlıklar halı ve sert zemin temizliğinde kullanılabilir.

HF tip başlıklar yalnızca sert zemin üzerinde kullanıma uygundur.

CA tip başlıklar sadece halı üzerinde kullanım için uygundur

Diğer başlıklar uzman temizlik işlemleri içindir ve bu başlıkların yalnızca arada sırada kullanılması önerilir.

Tüm aksesuarlar, tutma sapı* sonuna veya teleskopik boru sonuna yerleştirilebilir.

Aksesuar Seti**:

Kenar Köşe Aparatı – Köşeler ve ulaşılması zor alanlar içindir.

Mobilya Başlığı – Yumuşak mobilyalar ve kumaşlar için.

Toz Alma Fırçası – Kitaplık rafları, çerçeveler, klavyeler ve diğer hassas alanlar içindir.

Çift Hareketli Evcil Hayvan Tüyü Temizleme Başlığı* [Z] – Merdivenler veya tekstil yüzeylerinde derinlemesine temizlik sağlar; temizlenmesi zor alanlar için mini turbo başlığı kullanılabilir. Özellikle hayvan tüylerinin giderilmesi için uygundur.

Çift Hareketli Alerjen Temizleme Başlığı* [AA] – Merdivenler, temizlenmesi zor alanlar ve dokuma kumaş yüzeylerde derinlemesine temizlik için mini turbo başlığı kullanılabilir, özellikle alerjen giderme için uygundur.

Parke Ekstra Bakım ve Parke Bakım başlıkları* [AC,AB] – Parke ve diğer hassas zeminler içindir.

Uzun 2'si 1 Arada Başlık* [X] – Aralık başlığı ve toz alma fırçası - Kitap rafları ve yüksek köşeler gibi erişilmesi zor alanları temizlemeyi sağlar.

ÖNEMLİ: Mini Turbo Başlığı uzun saçaklı halılarda, hayvan postlarında, 15 mm'den daha uzun havlı halılarda kullanmayınız. Fırça döndüğü anda başlığı sabit tutmayın.

Araba Kiti Aksesuarları* [AD]:

XL Esnek Kenar Köşe Aparatı* – Araç temizleme için ideal. Uzunluğu sayesinde erişilmesi zor alanlar, dar yarıklar temizlenebilir.

Entegre Mobilya başlıklı Büyük Toz Alma Fırçası* – Hem araç hem de ev için yumuşak ve narin yüzeylerde temizlik için uygundur.

Aksesuar çantası* – tüm aksesuarların derli toplu saklanması için.

TEMİZLEYİCİNİZİN BAKIMI

Toz haznesini boşaltma

Toz, kaptaki maksimum seviye göstergesine ulaştığında, toz haznesinin boşaltılması gerekir.

ÖNEMLİ: Yüksek performans için toz seviyesi asgari düzeyin üzerine çıkmamalıdır.

1. Ana gövdedeki **[8]** Açma/Kapama düğmesine basarak temizleyiciyi kapatın ve güç kablosunu fişten çekin.
2. Toz haznesi açma kolunu kaldırın ve doz haznesi tertibatını temizleyiciden ayırın. **[12]**

* Sadece bazı modeller için ** Modele bağlı olarak değişebilir

3. Toz haznesini bir elinizle tutun ve diğer elinizle toz haznesi kapak açma düğmesine basın. **[13]**
4. Toz haznesi kapağını kapatın ve toz haznesi tertibatını ana gövdeye yeniden takın.

Yıkabilir filtrelerin temizlenmesi

Süpürge bir mavi filtre paketine sahiptir. Optimum temizleme performansını koruyabilmek için filtreleri düzenli olarak çıkarın ve kovanın yan tarafına vurarak içerindeki tozu boşaltın. Filtreler her 5 hazne boşaltımında veya aşırı toz seviyesine gelindiğinde yıkanmış olmalıdır.

ÖNEMLİ: Tüm torbasız süpürgeler, düzenli olarak filtre temizliğine ihtiyaç duyarlar. Hava tıkanıklığı, fazla ısınma ve ürün arızası, filtrelerinizi yıkamayı aksatmanızın sonucu olabilir. Bu garantinizi geçersiz kılabilir.

ÖNEMLİ: Filtrelerinizi düzenli olarak denetleyin ve bakımını yapın.

ÖNEMLİ: Kullanmadan önce her zaman filtre paketinin tamamen kuru olduğundan emin olun.

Ön motor filtresine erişmek için:

1. Toz haznesi açma kolunu kaldırın ve doz haznesi tertibatını temizleyiciden ayırın. **[12]**
2. Toz haznesini bir elinizle tutun ve hazne kapağını açmak diğer elinizle toz haznesi kapak açma mandalını kaldırın. **[14]**
3. Kutu kapağında bulunan ön motor filtresini çıkarın. **[16]**
4. Ön motor filtresine hafifçe vurun ve yıkayın. Sıcak su veya deterjan kullanmayın. Filtredeki fazla suyu giderin ve tekrar kullanmadan önce tamamen kurumaya bırakın. **[19, 20]**
5. Tamamen kurduğunda ön motor filtresini çöp kutusu kapağına tekrar monte edin ve temizleyiciye tekrar takın.

Çıkış filtresine erişmek için:

1. Egzoz filtresinin klipsini süpürge ana gövdesinin arkasından çıkartın. **[17]**
2. Egzoz filtresini süpürge arkasından çıkarın. **[18]**
3. Filtreyi nazikçe vurun ve ılık su kullanılarak yıkayın. Sıcak su veya deterjan kullanmayın. Filtredeki fazla suyu giderin ve tekrar kullanmadan önce tamamen kurumaya bırakın. **[19, 20]**
4. Tamamen kurduktan sonra egzoz filtresini süpürge arkasına yeniden takın ve egzoz filtresi kapağını yerine takın.

ÖNEMLİ: Filtre paketini yerleştirmeden ürünü kullanmayın.

Toz haznesini / ayırma ünitesini temizleme

Bu temizleyici Hoover'a özgü bir ayırma sistemi ve muhafaza temizleme sistemi kullanmaktadır. Gerekirse ayırma ünitesi toz haznesinden ayrılabilir ve temizlenebilir.

1. Toz haznesi açma kolunu kaldırın ve doz haznesi tertibatını temizleyiciden ayırın. **[12]**
2. Toz haznesini bir elinizle tutun ve toz haznesi kapağını açmak diğer elinizle toz haznesi kapak açma mandalını kaldırın. **[14]**
3. Ayırma sistemini (entegre muhafaza temizleme sistemi dahil) toz haznesinden ayırın. **[15]**

4. Gerekirse, ayırma sistemindeki (entegre muhafaza temizleme sistemi dahil) aşırı tozu bir bez kullanarak temizleyin.
5. Çöp kutusunu çeşmenin altına yerleştirin. Ilık suyla çalkalayın. Çöp kutusunun dahili yüzeylerini yalnızca suyla yıkayın. Çöp kutusunun iç kısımlarını yıkamak için sabunlu deterjanlar KULLANMAYIN.
6. Çöp kutusunun dahili bileşenini tüm bileşenlerin kuru olduğundan emin olarak yeniden monte edin.
7. Çöp kutusu kapağını kapatın ve çöp kutusu grubunu temizleyiciye tekrar takın.

Sistemde Oluşan Tıkanıklığın Giderilmesi

1. Toz haznesinin doluluğunu kontrol edin. Doluyorsa, "Toz haznesini boşaltma" bölümüne bakın.
2. Eğer Toz Kutusu boş ise ancak emme hala düşük ise:
 - A. Filtrelerin temizlenmeye mi ihtiyacı var? Eğer ihtiyaç varsa 'Yıkabilir filtreleri temizleme' bölümüne başvurun.
 - B. Sistemde başka herhangi bir tıkanıklık olup olmadığını kontrol edin. - Borunun iç hattından veya esnek hortumdan herhangi bir tıkanıklığı gidermek için rod veya karşıt uç kullanın.
 - C. Ön motor filtresinin takılı olup olmadığını kontrol edin.
 - D. Ayırma ünitesinin temizlenmesi gerekip gerekmediğini kontrol edin. 'Ayırma ünitesini temizleme' bölümüne başvurun.

KULLANICI KONTROL LİSTESİ

Ürünle ilgili bir sorun yaşarsanız, yerel HOOVER servisinizi aramadan önce bu basit kullanıcı kontrol listesini inceleyin.

- Süpürgeye elektrik geliyor mu? Lütfen başka bir elektrikli cihaz ile kontrol edin.
- Toz haznesi dolmuş aşamasında mı? Lütfen 'Süpürge Bakımı' bölümüne başvurunuz.
- Filtre tıkalı mı? Lütfen 'Filtrenin temizlenmesi' bölümüne başvurun.
- Hortum veya başlık tıkalı mı? Lütfen 'Sistemden tıkanıklık giderilmesi' bölümüne başvurunuz.
- Süpürge fazla mı ısındı? Eğer öyleyse, otomatik sınırlama 30 dakika sürecektir.

ÖNEMLİ BİLGİLER

HOOVER YEDEK PARÇA VE SARF MALZEMELERİ

Parçaları daima orijinal Hoover parçaları ile değiştirin. Bu parçaları Hoover servislerinden tedarik edebilirsiniz. Parça siparişi verirken mutlaka cihazın model numarasını belirtin.

Hoover Servisi

Herhangi bir hizmete ihtiyacınız olduğunda, lütfen bölgenizdeki Hoover Müşteri Hizmetleri ile irtibata geçiniz.

Kalite

BSI ISO 9001

Hoover fabrikalarının kalitesi bağımsız olarak takdir almıştır. Ürünlerimiz, ISO 9001 gereksinimlerini içeren bir kalite sistemi kullanılarak üretilmektedir.

GARANTİNİZ

Bu cihaz için garanti koşulları, cihazın satıldığı ülkedeki temsilcimiz tarafından tanımlanmaktadır. Bu koşullara ilişkin ayrıntılar cihazın satın alındığı bayiden edinilebilmektedir. Bu garanti koşulları altında yapılan talepte satış fişi(faturası) ve makbuzu ibraz edilmiş olmalıdır.

Haber verilmeksizin değişiklikler yapılabilir.

BIZTONSÁGOS HASZNÁLAT

Ezt a készüléket kizárólag háztartási célra, a felhasználói útmutatóban leírtak szerint lehet használni. Kérjük, a készülék használata előtt bizonyosodjon meg róla, hogy az összes utasítást megértette-e.

A készüléket ne hagyja a hálózatra csatlakoztatva. A használatot követően, illetve tisztítási vagy karbantartási műveletek előtt mindig kapcsolja ki a készüléket és húzza ki a csatlakozót az aljzatból.

Ezen készüléket 8 éves, vagy annál idősebb gyermekek, valamint csökkent fizikai, érzékelési, vagy mentális képességekkel, továbbá tapasztalat nélküli személyek csak felügyelet mellett használhatják, továbbá ha a készülék használatára vonatkozó útmutatásokat megkapták, és biztonságosan tudják a készüléket használni, és megértették az azzal járó veszélyeket. Gyermekek nem játszhatnak a készülékkel.

A tisztítást és a karbantartást nem végezheti gyermek felügyelet nélkül.

Ha a tápvezeték megsérült, azonnal hagyja abba a készülék működtetését. A biztonsági kockázat elkerülése érdekében egy HOOVER szakszerviznek kell kicserélnie a tápvezetékét. A forgó keféktől tartsa távol kezét, lábát, a laza ruházatot és haját.

Csak a HOOVER által javasolt tartozékokat, fogyóeszközöket és pótalkatrészeket használja.

Statikus elektromosság: Némelyik szőnyegtípus statikus elektromossággal is feltölthető. A statikus kisülések nem életveszélyesek.

A készüléket ne használja kültéren, nedves felületen, illetve nedvesség felszívására.

Ne szívjon fel kemény vagy éles tárgyakat, gyufát, forró hamut, cigarettacsikket vagy hasonló tárgyakat.

A készülékkel ne szívjon fel gyúlékony folyadékokat, tisztítófolyadékokat, aeroszolókat vagy ezek gőzeit.

Készüléke használatakor azt ne vezesse át a tápvezetéken,

és a csatlakozót az aljzatból ne a tápvezeték meghúzásával távolítsa el.

Ha hibásnak tűnik, akkor ne használja tovább a készüléket. A készülék használatakor ne álljon a tápvezetékre és ne tekerje karjára vagy lábára.

A készüléket ne használja állatok vagy személyek tisztítására.

Lépcsők tisztításakor ne helyezze önnél magasabbra a készüléket.

HOOVER szerviz: A készülék folyamatos biztonságának és hatékony működésének biztosítása érdekében javasoljuk, hogy minden szervizelési és javítási munkát hivatalos HOOVER szakszervizben végeztessen el.

Környezetvédelem

A terméken lévő szimbólum azt jelzi, hogy a készülék nem kezelhető háztartási hulladékként. A készüléket egy elektromos és elektronikus berendezések gyűjtésére szakosodott helyen kell leadni. A leselejtezést a helyi környezetvédelmi előírásoknak megfelelően kell végrehajtani. A kezeléssel és újrahasznosítással kapcsolatos részletesebb információkért vegye fel a kapcsolatot a helyi önkormányzattal, hulladékkezelő társaságával, vagy az üzlettel, ahol a készüléket vásárolta.



Ez a készüléket megfelel a 2014/35/EU, 2014/30/EU és 2011/65/EU európai direktíváknak.

CANDY HOOVER GROUP S.r.l. Via Privata Eden Fumagalli, 20861 Brugherio (MB) Italy

A PORSZÍVÓ BEMUTATÁSA

- | | |
|--|---|
| A. Portartály egység | P2. Teleszkópos cső biztonsági csatlakozással* |
| B. Porszívó ház | Q. Kimeneti szűrő |
| C. Parkolóállás | R. Tartozéktároló* |
| D. Be / Ki / Teljesítményszabályzó gomb | S. Szőnyeg & padló szívófej (GP)** |
| E. Kábelvisszatekerő gomb | Sa. Szőnyeg és padló szívófej biztonságos csatlakozással* |
| F. Portartály fedelének nyitókarja | Sb. Padlótípus választó pedál |
| G. Portartály kioldókarja | Sc. Szívóerő szabályzó fúvókája* |
| H. Portartály fedele | T. Előmotor szűrő |
| I. Porválasztó rendszer beépített takarótisztító rendszerrel | U. Szőnyeg & padló szívófej (GP)** |
| J. Portartály | Ua. Padlótípus választó pedál |
| K. Portartály ajtó kioldógombja | V. Kárpittisztító* |
| L. Tömlő | W. Réstisztító eszköz* |
| M. Fejlett komfort-fogantyú puha markolattal, szívóerő szabályzóval és beépített tartozékokkal (Lásd M1**) | X. Hosszú 2 az 1-ben eszköz* |
| M1. Integrált kiegészítők: Beépített réstisztító eszköz, Portalanító kefe, kárpittisztító kefe | Y. Fejlett bútorfúvóka* |
| N. Intelligens fogantyú integrált portalanító kefével** | Z. Mini turbó kettős hatású kisállatszór eltávolító szívófej* |
| N1. Beépített portalanító kefe* | AA. Mini turbó kettős hatású allergén eltávolító szívófej* |
| O. Szívóerő szabályzó** | AB. Kiegészítő parketta fej* |
| P. Teleszkópos cső** | AC. Parquet Extra Care szívófej* |
| P1. Teleszkópos cső beállító** | AD. Autós tartozékkészlet*:
a. Kiegészítőket tartalmazó zacskó
b. Nagy méretű portalanító kefe
c. XL rugalmas réstisztító eszköz |

A PORSZÍVÓ ÖSSZESZERELÉSE

Minden tartozékot vegyen ki a csomagolásból.

- Csatlakoztassa a tömlőt a készülékhez, és bizonyosodjon meg arról, hogy a cső a helyére kattant. Kioldás:csak nyomja meg a tömlő végén lévő gombot és húzza. [1]
- Csatlakoztassa a szívócső fogantyúját** a hosszabbítócső felső végéhez vagy szükség esetén a tartozékokhoz*. [2]
- Szükség esetén csatlakoztassa a cső alsó végét a szőnyeg- és padló szívófejhez** [3] vagy a tartozékokhoz*.
- A tisztítóeszközök használat után a hosszabbító cső alján, a termékhez biztosított* tartozéktartóban tárolhatók*.

* Csak bizonyos modellek esetén ** Modelltől függően eltérő lehet.

A KÉSZÜLÉK HASZNÁLATA

- Húzza ki a tápkábelt a készülék házából, majd csatlakoztassa a konnektorhoz. A tápkábelt soha ne húzza túl a piros jelölésen. [6]
- A teleszkópos cső hosszát úgy állíthatja be, hogy a teleszkópos cső beállítóját** felfelé mozgatja, és a szívófej fogantyúját a legkényelmesebb tisztítási helyzetbe emeli vagy süllyeszti. [5]
- Szőnyeg- és padlótisztító fej**. Nyomja le a szívófejen [4] található pedált a padlótípusnak leginkább megfelelő tisztítási mód kiválasztásához.
Padló: A kefék a padló védelme érdekében leereszkednek.
Padlószőnyeg: Felemelt kefékkel a legalaposabb tisztításért.

Szőnyeg- és padlótisztító fej**: [4]

- **Keménypadló tisztítása:** Nyomja meg a padlótípus választó pedált a Padló üzemmód fúvókáján és állítsa be a fúvóka szívóerő szabályzóját a nyitott [4a] vagy a zárt [4b] pozícióba a legkényelmesebb tisztítási pozícióhoz. Ebben a pozícióban leereszkednek a kefék a kemény padló védelmére.
- **Szőnyegtisztítás:** Nyomja meg a padlótípus választó pedált a Szőnyeg üzemmód fúvókáján és állítsa be a fúvóka szívóerő szabályzóját nyitott pozícióba. Ebben a pozícióban a kefék a szőnyeg mélyebb tisztítása érdekében megemelkednek. [4c] Javasoljuk, hogy szőnyegen történő használatkor nyissa ki a szívóerő szabályzó fúvókáját a jobb siklás érdekében,
- 4. A készüléken található Ki/Be gomb segítségével kapcsolja be a porszívót. [8]
- 5. **Rögzített teljesítményszabályzó*** - A porszívó rögzített teljesítményen működik.

Fejlett komfortfogantyú beépített tartozékokkal:** [M, M1]

- **Beépített réstisztító eszköz:** A szűk helyek eléréséhez használandó.
- **Kárpittisztító:** Nyomja meg a fogantyú mindkét oldalán lévő reteszeket és csúsztassa lefelé a tisztítófejet a puha felületek és textíliák (függönyök, kárpitok) tisztításához.
- **Portalanító kefe:** Nyomja meg a fogantyú mindkét oldalán lévő reteszeket, majd csúsztassa lefelé, tolja a csúszkát a fogantyú végére a beépített portalanító kefe feloldásához. Ideális kemény felületekhez (könyvespolcok, billentyűzetek, szegélylécek).
- **Szívóerő szabályzó**:** Állítsa be a szívóerőt a fogantyún lévő légszelep megnyitásával vagy lezárásával. [9, O**]

Intelligens fogantyú**: [N,N1]

- **Szívóerő szabályzó** [O]:** Állítsa be a szívóerőt a fogantyún lévő légszelep megnyitásával vagy lezárásával.
- **Portalanító kefe:** Közvetlenül a tömlő markolata alá van beépítve.
- 6. Használat végén kapcsolja ki a porszívó házában található Be/ki gomb segítségével, Húzza ki és tekerje fel a tápkábelt a kábelcsévéző gomb megnyomásával.
- 7. Parkolási pozíció és tárolás - A csövet a használat közbeni ideiglenes tároláshoz

(parkolóhoz) ide lehet állítani, a használaton kívül pedig tárolási helyzetbe lehet helyezni. [11]

TARTOZÉKOK

A legjobb teljesítmény és energiahatékonyság elérése érdekében javasolt a megfelelő fejet használni a tisztítási műveletekhez. Ezeket a szívófejeket az ábrákon a **GP**, **HF** vagy **CA** betűk jelzik.

A **GP** típusú szívófej a szőnyeg és keménypadló tisztítására használható.

A **HF** típusú szívófej kizárólag keménypadlóra alkalmas.

A **CA** típusú szívófej kizárólag szőnyegen használható.

A többi szívófej különleges feladatokhoz való tartozék, és csak alkalmanként javasolt a használatuk.

Az összes tartozékot fel lehet helyezni a fogantyú* vagy a teleszkópos cső végére.

Tartozékkészlet**:

Réstisztító eszköz – Sarkok és nehezen elérhető területek tisztításához.

Kárpittisztító – Puha kárpitokhoz és szövetekhez.

Portalanító kefe – Könyvespolcok, képkeretek, billentyűzetek és egyéb kényes területek tisztításához.

Kettős hatású kisállatszűrő eltávolító szívófej* [Z] – A mini turbó szívófejet lépcsőkhöz, textilfelületek mélytisztításához vagy egyéb, nehezen tisztítható felületek tisztításához használja. Különösen alkalmas háziállatok szőrének eltávolításához.

Kettős hatású allergén eltávolító szívófej* [AA] – Lépcsőkön használja a mini turbó szívófejet a textilfelületek és más nehezen tisztítható felületek mély tisztításához. Különösen alkalmas az allergének eltávolításához.

Parquet Extra Care és Parquet Care szívófejek* [AC,AB] – Parketta és egyéb kényes padlók tisztításához.

Hosszú 2 az 1-ben eszköz* [X] – Réstisztító és portalanító kefe - Lehetővé teszi a nehezen elérhető helyek tisztítását, mint például a könyvespolc és a magas sarkak.

FONTOS: A mini turbó fejet ne használja hosszú szálú szőnyegek, állati szőrmén és 15 mm-nél vastagabb szőnyegen. A fejet ne tartsa álló helyzetben, amikor a kefe forog.

Autóskészlet-tartozékok* [AD]:

XL rugalmas réstisztító eszköz* – Ideális a kocsik takarításához. Hossza lehetővé teszi a nehezen megközelíthető helyek, keskeny rések takarítását is.

Nagy portalanító kefe beépített bútor tisztító szívófejjel* – a puha és érzékeny felületek tisztítására autójában és otthonában is.

Kiegészítő tároló zsák* – az összes kiegészítő rendezett tárolásához.

A PORSZÍVÓ KARBANTARTÁSA

A portartály ürítése

Ha a por eléri a tartály maximális töltöttségi szintjét jelző jelölést, ürítse ki a portartályt.

* Csak bizonyos modellek esetén

** Modelltől függően eltérő lehet.

FONTOS: Az optimális teljesítmény fenntartása érdekében soha ne hagyja, hogy a por szintje a max szint fölé emelkedjen.

1. Kapcsolja ki a porszívót a porszívó házán [8] található Be/Ki gombbal, majd húzza ki a tápkábelt.
2. Emelje meg a portartály kioldókarját és vegye ki a portartályt a takarítógépből. [12]
3. Tartsa egyik kezével a portartályt, a másik kezével pedig nyomja meg a portartály ajtajának kioldógombját. [13]
4. Zárja le a portartály ajtaját, és helyezze vissza a portartályt a porszívó házába.

A mosható szűrők tisztítása

A tisztítógépet egy kék színű szűrőcsomaggal szerelték fel. Az optimális tisztítási teljesítmény érdekében távolítsa el rendszeresen a szűrőket, majd a por felszabadításához ütögesse neki a tartály oldalához. A szűrőket a porzsákok körülbelül minden ötödik ürítését követően kell kimosni, vagy amikor a szűrőben nagyon sok por van.

FONTOS: Az összes porzsák nélküli porszívó a szűrőt rendszeres tisztítását igényli. A szűrők tisztításának elmulasztása a levegőáramlás megszűnését, túlmelegedést és a termék meghibásodását okozhatja. Ez garanciavesztést okozhat.

FONTOS: Ellenőrizze és tartsa karban rendszeresen a szűrőket.

FONTOS: Mindig győződjön meg a használat előtt arról, hogy a szűrők szárazak-e.

Az előmotor szűrő elhelyezkedése:

1. Emelje meg a portartály kioldókarját és vegye ki a portartályt a takarítógépből. [12]
2. Tartsa egyik kezével a portartályt, a másik kezével pedig emelje meg a portartály fedelének nyitóretesét a portartály fedelének kinyitására. [14]
3. Távolítsa el a portartály fedél alatt lévő előmotor szűrőt. [16]
4. Enyhén ütögesse meg és mossa ki az előmotor szűrőt. Ne használjon forró vizet vagy tisztítószert. Rázza ki a vizet a szűrőből, majd az ismételt használat előtt, hagyja, hogy teljesen megszáradjon. [19, 20]
5. Szerelje vissza az előmotor szűrőt a helyére.

A kimeneti szűrő eléréséhez:

1. Csíptesse le a kimeneti szűrőt a porszívó törzsének hátsó részéről. [17]
2. Távolítsa el a kimeneti szűrőt a porszívó hátuljáról. [18]
3. Finoman veregesse, rázogassa a meg a szűrőt és mossa ki meleg vízzel. Ne használjon forró vizet vagy tisztítószert. Rázza ki a vizet a szűrőből, majd az ismételt használat előtt, hagyja, hogy teljesen megszáradjon. [19, 20]
4. Megszáradást követően illessze vissza a kimeneti szűrőt a porszívó hátuljára és helyezze vissza a kimeneti szűrő fedelét.

FONTOS: Ne használja a terméket beszerelt szűrőegység nélkül.

Tisztítsa meg a portartályt.

Ez a porszívó egyedi Hoover porleválasztó rendszert és takarítótisztító rendszert használ.

A porelválasztó egységet szükség esetén le lehet szerelni a portartályról és meg lehet tisztítani.

1. Emelje meg a portartály kioldókarját és vegye ki a portartályt a takarítógépből. [12]
2. Tartsa egyik kezével a portartályt, a másik kezével pedig emelje meg a portartály fedelének nyitóreteszt a portartály fedelének felnyitásához. [14]
3. Távolítsa el a porleválasztó rendszert (a beépített takarítótisztító rendszerrel együtt) a portartályról. [15]
4. Szükség esetén távolítsa el a felhalmozódott port a leválasztó rendszerből (és a beépített takarítótisztító rendszerből) egy ruha használatával.
5. Helyezze a porszákot a csap alá. Öblítse ki langyos vízzel. A portartály belső felületét kizárólag tiszta vízzel mossa le. NE HASZNÁLJON szappant a portartály belsejének tisztításához.
6. Szerelje vissza a belső egységet a portartályba, meggyőződve arról, hogy az összes alkatrész megszáradt.
7. Zárja le a portartályt és szerelje vissza a készülékbe.

Eltömődés megszüntetése

1. Ellenőrizze, hogy a portartály megtelt-e. Ha igen, akkor lásd a "Portartály ürítése" részt.
2. Amennyiben a portartály üres, de a szívóerő ennek ellenére is gyenge:
 - A. A szűrők tisztítására van szükség: Amennyiben igen, olvassa el "A mosható szűrők tisztítása" című fejezetet.
 - B. Ellenőrizze, hogy nincs-e másfajta dugulás a rendszerben. - Használjon egy rudat vagy pálcát a csőben vagy a rugalmas tömlőben lévő elzáródások eltávolításához.
 - C. Ellenőrizze, hogy az előmotor szűrőt felszerelték-e.
 - D. Ellenőrizze, hogy a porszívó egységet meg kell-e tisztítani. Lásd a "Porszívó egység tisztítása részt".

FELHASZNÁLÓI ELLENŐRZŐLISTA

Amennyiben problémát észlel a termék működése során, a Hoover szerviz felhívása előtt ellenőrizze a következőket.

- A porszívó konnektora megfelelően működik-e? Kérjük, egy másik elektromos berendezés segítségével próbálja ki.
- A portartály túl van töltve? Kérjük, tekintse meg "A porszívó karbantartása" című fejezetet.
- A szűrő eltömődött? Lásd a 'Szűrő tisztítása' részt.
- A tömlő vagy a szívófej eltömődött? Lásd a "Rendszer eltömődésének megszüntetése" részt.
- A porszívó túlmelegedett? Ha igen, akkor körülbelül 30 percig tart az túlhevülés védelem automatikus törlése.

FONTOS INFORMÁCIÓ

Hoover alkatrészek és fogyóeszközök

Az alkatrészeket minden esetben eredeti Hoover pótalkatrészekkel cserélje ki. Ezeket a helyi Hoover kereskedőtől vagy közvetlenül a Hoover szerviztől vásárolhatja meg. Az alkatrészek rendelésekor mindig adja meg a készülék modellszámát.

Hoover szerviz

Amennyiben szervizelésre van szüksége, kérjük, vegye fel a kapcsolatot a legközelebbi Hoover Szervizközponttal.

Minőség

BSI ISO 9001

A Hoover gyáraiban független minőségbiztosítás történik. A termékeket olyan minőségi rendszerek segítségével gyártjuk, melyek megfelelnek az ISO 9001 által támogatott összes követelménynek.

Garancia

A garanciális feltételeket a termék értékesítési országában lévő képviselőnk határozza meg: www.hoover.hu Ezzel kapcsolatos információkat attól a kereskedőtől kérhet, ahol a terméket megvásárolta, vagy vegye fel a kapcsolatot a helyi képviselőnkkel. A garanciális igények érvényesítéséhez a termék vásárlását igazoló blokk vagy számla bemutatására van szükség.

A változtatás jogát előzetes bejelentés nélkül fenntartjuk.