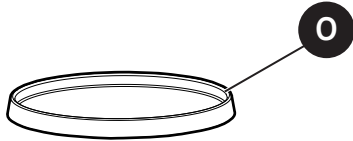
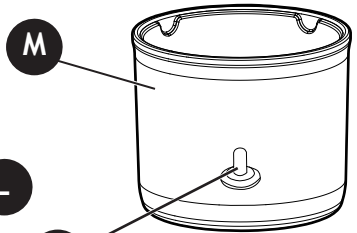
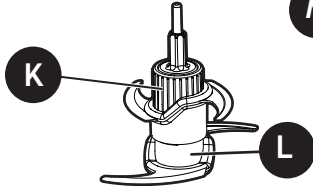
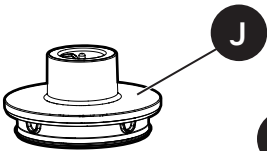
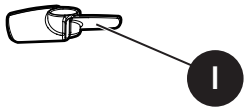
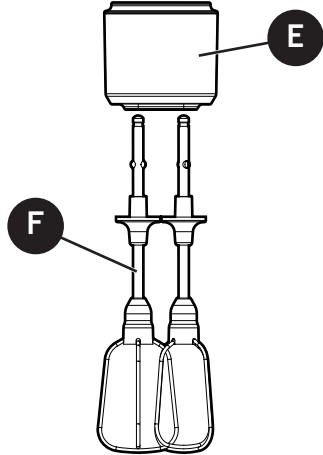
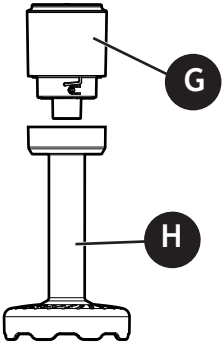
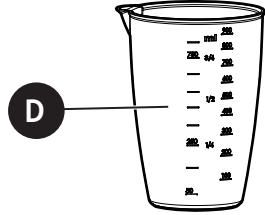
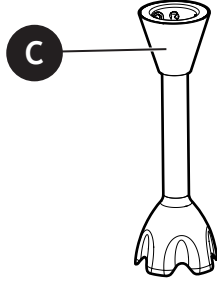
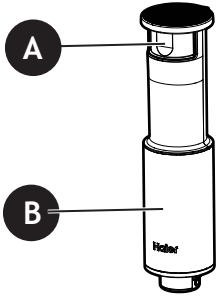


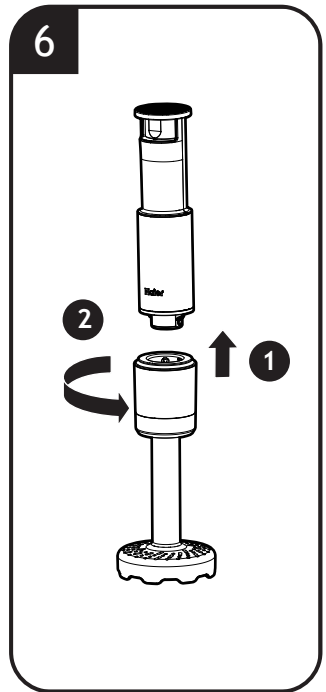
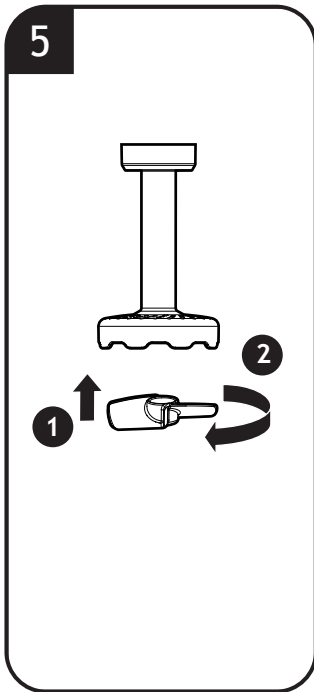
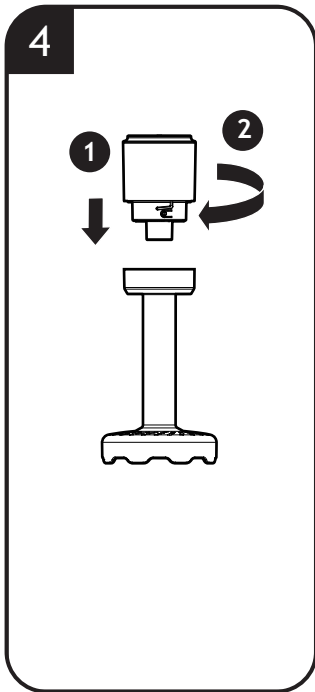
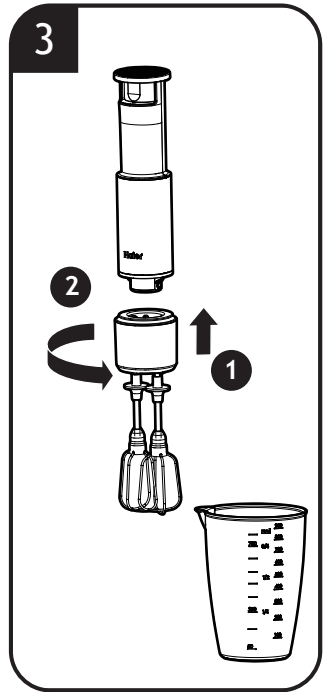
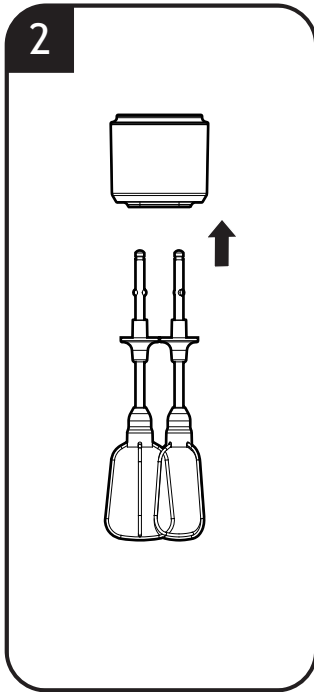
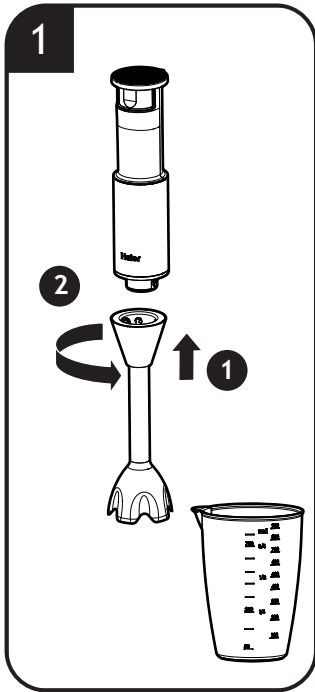
Haier

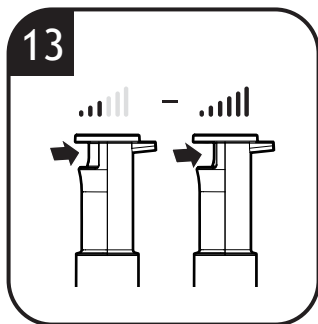
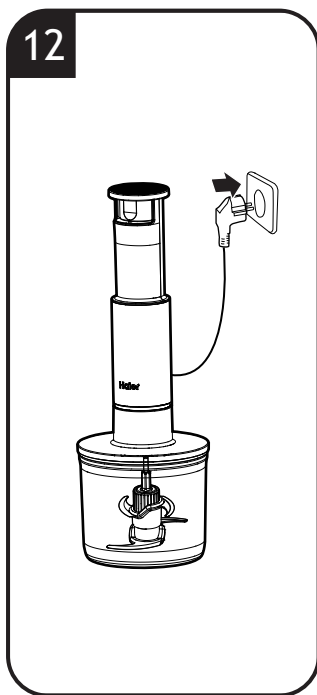
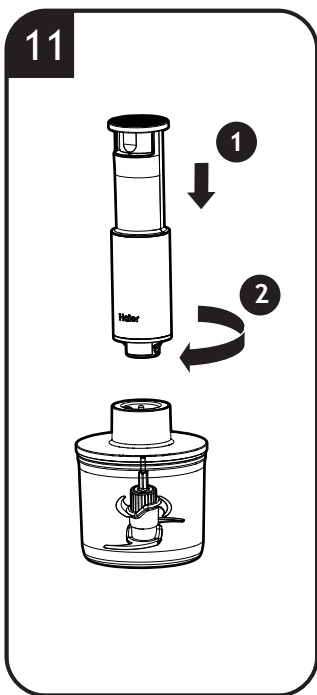
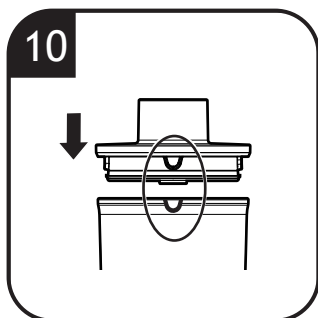
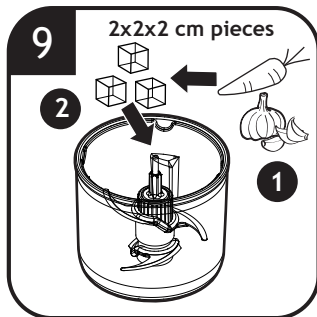
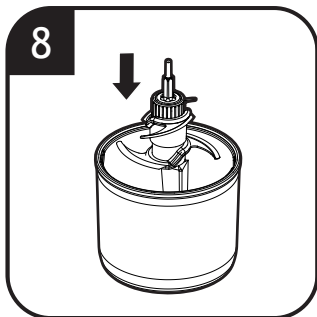
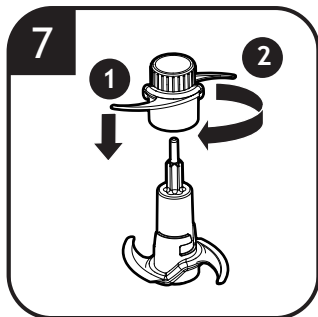
I - MASTER MULTI HANDBLENDER SERIES 5



User manual (GB)	P5
Manuel d'utilisation (FR)	P11
Benutzerhandbuch (DE)	P17
Manuale per l'utente (IT).....	P23
Gebruikershandleiding (NL).....	P29
Manual de instruções (PT)	P35
Manual de usuario (ES)	P41
Brugervejledning (DK).....	P47
Brukermanual (NO)	P53
Brukermanual (SE)	P59
Käyttöohje (FI)	P65
Руководство пользователя (RU).....	P71
Οδηγίες χρήσης (GR)	P77
Instrukcja użytkowania (PL).....	P83
Návod k použití (CZ)	P89
POUŽÍVATEĽSKÁ PRÍRUČKA (SK).....	P95
Kullanma kılavuzu (TR)	P101







14

✓	✓	✓	✓	✓	✓	✓	✓
					×	×	✓
					✓	×	✓

1. INSTRUCTIONS FOR SAFE USE

This appliance is intended for domestic use only as described in this user guide. Please ensure that this guide is fully understood before operating the appliance.

WARNING To eliminate suffocation hazard for young children, discard all packaging materials immediately after removing the product.

The appliance can be used by persons with reduced physical, sensory or mental capabilities or lack of experience and knowledge if they have been given supervision or instruction concerning use of the appliance in a safe way and if they understand the hazards involved.

Children shall be supervised to ensure that they do not use or play with the appliance. Keep the appliance and its cord out of reach of children.

This appliance (with cream whippers, egg beaters accessory) can be used by children aged from 8 years and above if they have been given supervision or instruction concerning use of the appliance in a safe way and if they understand the hazards involved. Cleaning and user maintenance shall not be made by children unless they are aged from 8 years and

above and supervised. Keep the appliance and its cord out of reach of children aged less than 8 years.

Do not pull or carry the appliance by the power cord. Always unplug the appliance from the socket by pulling the plug instead of the cord. Do not place the power cord over sharp edges or near hot surfaces. Do not use extension cord.

If the power cord is damaged stop using the appliance immediately. To avoid a safety hazard, an authorised Haier service engineer must replace the power cord.

Use only attachments, consumables or spares recommended or supplied by Haier.

WARNING Risk of injury! Misuse of the appliance can potentially lead to injury.

CAUTION Cutting blades are very sharp, be careful when handling the sharp cutting blades during assembling and disassembling, emptying the jug and during cleaning.

CAUTION Ensure that the appliance is switched off and stop running before removing it from the jug.

Always disconnect the appliance from the supply

if it is left unattended and before assembling, disassembling, cleaning or in the event of an error.

Only use the appliance in accordance with the power specification on the rating plate.

Only use the appliance on a dry level surface and never move it when working.

The appliance is only intended to blend or mix food with recommended size and quantity in the instructions. It must not be used for other than intended use.

Do not use a glass jug right after being taken out from dishwasher or refrigerator.

Be sure it stays at room temperature for at least 5 min before use.

Do not operate the appliance until the blade unit is securely fastened and immersed by the ingredients. Be careful if hot liquid is poured into the food processor or blender as it can be ejected out of the appliance due to a sudden steaming. Take care when processing hot food which may splash.

Switch off the appliance and disconnect from power supply before changing accessories or approaching parts that move in use.

Do not operate the appliance by means of an external timer or separate remote-control system.

Disconnect from power supply and allow the cutting blades to completely stop before removing any parts and before cleaning or any maintenance.

Never immerse the motor base in ingredient while in use or clean it under running water. Do not operate the appliance with wet hands. Pay attention to clean surfaces which are intended to come into contact with food! Please note the information on cleaning in the instructions.

Do not continue to use your appliance if it appears faulty.

Haier service: To ensure the continued safe and efficient operation of this appliance we recommend that any servicing or repairs are only carried out by an authorised Haier service engineer.

Recipe:

Vegetable/Fruit juice (1 min on / 1 min off, maximum 5 cycles)

Beaker: 360 g carrots + 540 g water

Honey butter sauce (5 s on / 2 min off, maximum 3 cycles)

Chopper glass jug: 200 g

butter + 300 g honey

Sponge cakes (maximum 10 min)

Beaker: 720 g egg whites

Note on the recipe:

1) For each use, the consecutive operation cycle or time and food quantity should be no more than stated as above. At least 10 minutes rest time must be maintained so that the unit cool to room temperature before performing next operation;

2) If you want to stop the machine during operation, release the ON/OFF trigger button anytime.

The Environment

The symbol on this appliance indicates that this appliance may not be treated as household waste. Instead, it must be handed over to the applicable collection point for the recycling of electrical and electronic equipment. Disposal must be carried out in accordance with local environmental regulations for waste disposal. For more detailed information about treatment, recovery and recycling of this appliance, please contact your local city office, your household and waste disposal service or the shop where you purchased the appliance.



This appliance complies with the

European Directives 2014/35/EU, 2014/30/EU and 2011/65/EU.

CANDY HOOVER GROUP S.r.l. Via Comolli 16, 20861 Brugherio(MB), ITALY

2. Getting to know your Hand blender

- A. ON/OFF Trigger button
- B. Main body
- C. Metal leg
- D. Beaker
- E. Gear box of whisk*
- F. Double whisk*
- G. Gear box of potato masher*
- H. Potato masher leg*
- I. Blade of potato masher*
- J. Gear box of chopper cover*
- K. Chopper upper blade*
- L. Chopper blade shaft*
- M. Chopper glass jug*
- N. Spindle pin
- O. Non-slip pad

3. Before first use

Before you use the appliance and accessories for the first time, thoroughly clean the parts that come into contact with food. (Cleaning details refer to Chapter 5)

- Place the food into the beaker or a similar container, then hold the beaker steady.
- Do not fill the beaker more than indication scale. To avoid splashing place the blade base in the food to be processed before switching on. Always ensure that the bottom of the blade base is fully submerged in the ingredients whilst processing.
- Do not fill the chopper glass bowl more than half-bowl for better mixing.

* For certain model only.

- Only immerse the metal leg into the food but not exceed the metal parts, or you risk of electric shock!
- Do not insert any metallic object into the glass jug.
- Do not mix pieces of ingredients larger than 2x2x2 cm.
- The metal blending shaft and whisk may scratch or mark non-stick coatings. Do not use in non-stick cookware.
- Do not use or insert any part in the microwave.
- Do not use the hand blender with heavy mixtures to ensure long life. If the main body overheats, unplug the appliance and let it cool down for approximately 10 minutes before using again.
- Non-slip pad can be placed on the bottom of beaker and chopper glass jug for non-slip.

4. Using your Hand Blender

Power control [Fig. 13]

Press ON/OFF trigger button to select and adjust the required speed.

Press the trigger button lightly to get low speed.

Press the trigger button firmly to obtain high speed.

It is perfectly suited for preparing dips, sauces, salad dressings, soups, baby food, as well as drinks, smoothies and milkshakes, also suited for mixing hard foods e.g., raw fruits and vegetables.

Metal leg [Fig. 1]

Fit the metal leg to the main body by turning in an anti-clockwise direction which is fully assembled you hear a “click” sound.

- If using the appliance to purée hot food in a saucepan or pot, remove the saucepan or pot from the heat source and ensure the liquid is not boiling.

* For certain model only.

Allow hot food to cool slightly to avoid risk of scalding.

- Do not let the hand blender sit in a hot pan or pot on the cooktop when not in use.
- Do not use the metal leg for longer than 1 minutes in any 4 minutes period.

Double whisk* [Fig. 2,3]

1. Insert the whisk legs to the hole of gear box of whisk which is fully assembled you hear a “click” sound.
2. Fit the gear box of the whisk to the main body by turning in a anti-clockwise direction which is fully assembled you hear a “click” sound.
 - Use the whisk only for whipping cream, beating egg whites, making sponge cakes and ready-mix desserts.
 - To prevent splattering, start slowly and use the whisk attachment in deep containers.
 - Do not use the whisk for longer than 3 minutes in any 10 minutes period.

Potato masher* [Fig. 4,5,6]

It can be used to mash boiled potatoes.

1. Fit the gear box of potato masher to the potato masher leg by turning in a clockwise direction which is fully assembled you hear a “click” sound.
2. Fit the blade of potato masher over the central hub and turn clockwise to locate which is fully assembled you hear a “click” sound.
3. Fit the gear box of potato masher to the main body by turning in a anti-clockwise direction until it locks into place.
 - Never use the potato masher in a saucepan over direct heat.
 - Always remove the saucepan from the heat and allow to cool slightly.
 - Sit the saucepan or bowl on a stable, flat surface, and support it with your free hand.
 - For best results when mashing never fill a saucepan or bowl more than half full of food.

- Do not process more than one batch without interruption.

Do not use the potato masher for longer than 1 minute in any 5 minutes period.

Chopper attachment*

[Fig. 7,8,9,10,11,12]

1. Place the glass jug on a clean, flat surface, assemble the upper blade clockwise on the blade shaft until lock into place.
2. Fit the blade shaft assembly on the spindle pin over the glass jug.
3. Cut the food into suitably sized pieces and place in the glass jug. Larger pieces of food should be cut into approximately 2x2x2 cm pieces.
4. Fit the gear box of cover on the glass jug and press to lock into place.
5. Fit the main body clockwise onto the gear box of cover which is fully assembled you hear a "click" sound.
6. Plug in
7. Press down on the trigger button to select the desired pulse-speed.

When operating the main body, hold it firmly on it and the glass jug.

- Press the trigger button lightly to obtain low speed.
- Press the trigger button firmly to obtain high speed.
- Alternatively, the trigger button may be pressed down for short periods of time to produce a pulsing action.
- This can be used to avoid over processing food. Operate the chopper until the desired result is achieved.
- Loosen the trigger button firmly to switch off, take out the blades first, then pour out the food.

Do not run the chopper attachment continuously for longer than 30 seconds. Leave to cool for 1 minute in between each 30 second operation.

Reverse the above procedure to disassemble the unit.

5. Cleaning & Maintenance

CAUTION: Make sure that the main body is unplugged from the mains power supply and that the blades have stopped turning before attaching or removing any accessory.

Disassemble all parts before washing.

DO NOT immerse the main body, gear box of whisk, gear box of potato masher and gear box of chopper cover into water or any other liquid, clean with a damp sponge or cloth and wipe dry. The metal leg can be rinsed under running water.

Handle the blades with care they are extremely sharp.

Following parts/tools you could put them in dishwasher to clean.

[Fig. 14]

- Beaker
- Whisk leg*
- Blade of Potato Masher*
- Upper blade*
- Blade shaft*
- Glass jug*
- Non-slip pad

All parts must be completely cleaned and dry before being stored.

Assemble the appliance with the blades, chopper accessories and main body in position. Store the appliance in the box or in a clean, dry place well out of the reach of children.

6. Troubleshooting

1. Hand blender starts to slow or labor during processing.

Check that the bottom of motor head is clean and there is no food blocking connection when placing on containers or too much food in the container.

If the unit has overheated, unplug and wait approximately 10 minutes before using again.

2. Excessive splashing during processing

Select a lower speed initially and increase as the mixture thickens.

Select an appropriately sized container. Place the blades into the food before switching on.

3. Main body gets hot during operation.

Allow the unit to cool fully before using again.

* For certain model only.

7. Technical data

Electrical connection	220-240V-50/60Hz
Power	1000W

8. Important information

Haier Spares and Consumables

Always replace parts with genuine Haier spares. These are available from your local Haier dealer or direct from Haier. When ordering parts always quote your model number.

Quality

Haier's factories have been independently assessed for quality. Our products are made using a quality system which meets the requirements of ISO 9001.

Your Guarantee

The guarantee conditions for this appliance are as defined by our representative in the country in which it is sold. Details regarding these conditions can be obtained from the dealer from whom the appliance was purchased. The bill of sale or receipt must be produced when making any claim under the terms of this guarantee.

1. INSTRUCTIONS D'UTILISATION SECURISEE

Cet appareil est destiné à un usage domestique uniquement, tel que décrit dans ce guide d'utilisation. Veuillez vous assurer que ces instructions sont bien prises en compte avant d'utiliser l'appareil.

MISE EN GARDE Pour éviter tout risque d'étouffement chez les enfants, jetez tous les matériaux d'emballage immédiatement après avoir désemballé le produit. L'appareil peut être utilisé par des personnes qui ont des capacités physiques, sensorielles ou mentales réduites, ou n'ayant pas d'expérience ou de connaissances en la matière. Ces dernières doivent recevoir des instructions sur l'utilisation de l'appareil en toute sécurité et comprendre les risques impliqués. Les enfants doivent être surveillés afin de s'assurer qu'ils n'utilisent pas ou ne jouent pas avec l'appareil. Tenez l'appareil et son cordon hors de portée des enfants.

Cet appareil (avec des fouets à crème, des batteurs d'œufs) peut être utilisé par des enfants de 8 ans et plus. Ces dernières doivent recevoir des instructions sur l'utilisation de l'appareil en toute sécurité et comprendre les risques impliqués. Le nettoyage et l'entretien par l'utilisateur ne doivent pas être effectués par des enfants, à moins qu'ils ne

soient âgés de plus de 8 ans et surveillés. Tenez l'appareil et son cordon hors de portée des enfants de moins de 8 ans. Ne tirez pas et ne transportez pas l'appareil par le câble d'alimentation. Débranchez toujours l'appareil en tirant sur la prise et non sur le câble. Ne placez pas le câble d'alimentation sur des bords tranchants ou à proximité de surfaces chaudes. N'utilisez pas de rallonge.

Si le câble d'alimentation est endommagé, arrêtez immédiatement d'utiliser l'appareil. Pour éviter tout risque de sécurité, un réparateur Haier agréé doit remplacer le câble d'alimentation. N'utilisez que les accessoires, les consommables et les pièces de rechange recommandés ou fournis par Haier.

MISE EN GARDE Risque de blessures ! Une mauvaise utilisation de l'appareil peut potentiellement entraîner des blessures.

PRÉCAUTIONS Les lames de coupe sont très tranchantes ; faites attention lorsque vous manipulez les lames de coupe tranchantes pendant le montage et le démontage, la vidange du bol et le nettoyage. **PRÉCAUTIONS** Assurez-vous que l'appareil est éteint et qu'il soit

à l'arrêt avant de le retirer de sa cruche.

Débranchez toujours l'appareil s'il est laissé sans surveillance et avant de le monter, de le démonter, de le nettoyer ou en cas d'erreur.

N'utilisez l'appareil qu'en fonction de la puissance indiquée sur la fiche signalétique.

N'utilisez l'appareil que sur une surface plane et sèche et ne le déplacez jamais lorsque vous travaillez.

L'appareil est destiné à mélanger ou à griller des aliments dont la taille et la quantité sont recommandées dans les consignes. Il ne doit pas être utilisé à d'autres fins que celles prévues.

N'utilisez pas un bol en verre juste après l'avoir sorti du lave-vaisselle ou du réfrigérateur. Veillez à ce qu'il reste à la température ambiante pendant au moins 5 min avant de l'utiliser.

N'utilisez pas l'appareil tant que l'unité de lame n'est pas solidement fixée et submergée par les ingrédients.

Faites attention si vous versez un liquide chaud dans le robot ménager ou dans le mixeur, car il peut être éjecté de l'appareil en raison d'une vaporisation soudaine. Faites attention au moment de traiter de la nourriture qui pourrait gicler.

Éteignez l'appareil et débranchez-le avant de changer d'accessoire ou d'approcher

des pièces mobiles en cours d'utilisation.

Ne faites pas fonctionner l'appareil à l'aide d'une minuterie externe ou d'un système de commande à distance séparé.

Débranchez l'appareil et laissez les lames de coupe s'arrêter complètement avant de démonter les pièces et de procéder au nettoyage ou à l'entretien.

Durant l'utilisation, n'immergez jamais la base du moteur dans les ingrédients ou nettoyez-le sous l'eau courante. N'utilisez pas l'appareil avec des mains mouillées.

Faites attention à la propreté des surfaces destinées à entrer en contact avec les aliments ! Veuillez tenir compte des informations sur le nettoyage dans les instructions.

N'utiliser pas votre appareil s'il semble défectueux.

Haier service : Pour assurer l'utilisation sûre et efficace de cet appareil, nous recommandons de n'en confier l'entretien ou les réparations qu'à un réparateur Haier agréé.

Recette :

Légumes/Jus de fruits (1 min en marche / 1 min repos, maximum 5 cycles)

Gobelet: 360 g carottes + 540 g eau

Sauce au beurre au miel (5 s en marche / 2 min repos,

maximum 3 cycles)
 Bol en verre du hachoir : 200 g
 Beurre + 300 g miel

Sponge cakes (maximum 10 min)
 Gobelet: 720 g blancs d'œuf

Remarque sur la recette :


1) Pour chaque utilisation, le cycle de fonctionnement consécutif ou le temps et la quantité de nourriture ne doivent pas dépasser les valeurs indiquées ci-dessus. Il est indispensable de laisser reposer l'appareil 10 minutes de façon à ce que l'unité se refroidisse jusqu'à la température ambiante avant de continuer avec l'opération suivante.
 2) Si vous voulez arrêter la machine pendant l'opération, relâchez à tout moment la gâchette ON/OFF.

Environnement

Le symbole figurant sur cet appareil indique qu'il ne peut pas être considéré comme une ordure ménagère. Vous devez le déposer dans un centre de recyclage des équipements électriques et électroniques. Le dépôt doit être effectuée conformément à la réglementation locale en matière de déchets. Pour plus d'informations sur le traitement, la récupération et le recyclage de cet appareil, veuillez contacter votre municipalité, le service local de collecte des déchets ménagers où le magasin où vous avez acheté l'appareil.



Cet appareil est conforme aux

 Directives européennes
 2014/35/UE, 2014/30/UE et
 2011/65/UE.

CANDY HOOVER GROUP S.r.l. Via
 Comolli 16, 20861 Brugherio(MB), ITALY

2. Connaître votre Mixeur Plongeant

- A. Gâchette ON/OFF
- B. Corps principal
- C. Pied en métal
- D. Gobelet
- E. Boîte à engrenages du fouet*
- F. Double fouet*
- G. Boîte à engrenages du presse-purée*
- H. Accessoire presse-purée*
- I. Lame du presse-purée*
- J. Boîte à engrenages du couvercle du hachoir*
- K. Lame supérieure du hachoir*
- L. Arbre de lames du hachoir*
- M. Bol en verre du hachoir :*
- N. Axe de broche
- O. Coussin antidérapant

3. Avant la première utilisation

Avant d'utiliser l'appareil et ses accessoires pour la première fois, nettoyez soigneusement les parties qui entrent en contact avec les aliments. (Pour plus de détails sur le nettoyage, consultez le chapitre 5)

- Placez la nourriture dans le gobelet ou dans un récipient similaire, puis tenir fermement le gobelet.
- Ne remplissez pas le bol au-dessus de la marque. Afin d'éviter un éparpillement de la nourriture, placez la base de la lame dans la nourriture à broyer avant d'allumer. Veillez toujours à ce que la partie inférieure de la base de la lame soit immergée dans les ingrédients au moment de l'utilisation.
- Pour obtenir un meilleur résultat, ne remplissez pas le bol en verre du hachoir plus de la moitié.

* Pour certains modèles uniquement.

- Immergez uniquement le pied en métal dans la nourriture mais pas les pièces métalliques sous peine de risquer l'électrocution !
- N'insérez aucun objet métallique dans le bol en verre.
- Ne mélangez pas de morceaux d'ingrédients de plus de 2x2x2 cm.
- L'arbre de broyage métallique et le fouet pourraient rayer ou marquer les revêtements antiadhésifs. Ne les utilisez pas dans des ustensiles de cuisine anti-adhésifs.
- N'utilisez ou insérez pas de pièces dans le four à microondes.
- N'utilisez pas le mixeur manuel avec des mélanges épais afin d'en assurer une longue durée de vie. Si le corps principal surchauffe, débranchez l'appareil et laissez-le refroidir pendant environ 10 minutes de l'utiliser à nouveau.
- Le coussinet antidérapant peut être placé sur le fond du bol et du bol en verre du hachoir pour éviter les glissements.

4. Utilisation du Mixeur Plongeant

Variateur de puissance [Fig. 13]

Appuyez sur la gâchette ON/OFF pour sélectionner et régler la vitesse requise. Appuyez sur la gâchette doucement pour obtenir une vitesse basse.

Appuyez sur la gâchette fermement pour obtenir une vitesse élevée.

Il est parfaitement adapté à la préparation de dips, de sauces, de dressing pour salade, de soupes, de nourriture pour enfants, ainsi que de boissons, de smoothie et de milkshake, également pour mixer la nourriture dure par ex. fruits et légumes crus.

Pied en métal [Fig. 1]

Montez le pied en métal sur le corps principal en tournant dans le sens anti-horaire. Le signe que vous l'avez convenablement montée est le « clic » que vous entendrez à un moment donné.

- Si vous utilisez l'appareil pour réduire en purée de la nourriture chaude dans une casserole ou une marmite, enlevez la casserole ou la marmite du feu et

assurez-vous que le liquide n'est pas en train de bouillir. Laissez la nourriture chaude refroidir légèrement pour éviter le risque de brûlure.

- Ne laissez pas le mixeur plongeant dans une poêle ou une marmite chaude sur le plan de cuisson lorsque vous ne l'utilisez pas.
- N'utilisez pas le pied en métal plus de 1 minute par période de 4 minutes.

Double fouet* [Fig. 2,3]

1. Insérez le pied du fouet dans le trou de la boîte à engrenages du fouet qui est complètement assemblée lorsque vous entendez un « clic ».
 2. Montez la boîte d'engrenage du fouet sur le corps principal en tournant dans le sens anti-horaire. Le signe que vous l'avez convenablement montée est le « clic » que vous entendrez à un moment donné.
- Utilisez le fouet uniquement pour la crème à fouetter, pour battre les blancs d'œuf, pour faire des madeleines et pour des desserts préparés.
 - Pour éviter les éclaboussures, commencez doucement et utilisez le fouet dans des récipients profonds.
 - N'utilisez pas le fouet plus de 3 minutes par période de 10 minutes.

Presse-purée* [Fig. 4,5,6]

Il peut être utilisé pour écraser des pommes de terre bouillies.

1. Montez la boîte d'engrenage du presse-purée sur le pied du presse-purée en tournant dans le sens horaire. Le signe que vous l'avez convenablement montée est le « clic » que vous entendrez à un moment donné.
 2. Montez la lame du presse-purée sur le moyeu central et tournez dans le sens horaire. Le signe que vous l'avez convenablement montée est le « clic » que vous entendrez à un moment donné.
 3. Montez la boîte d'engrenage du presse-purée sur le corps principal en tournant dans le sens anti-horaire jusqu'à ce qu'elle soit en place.
- N'utilisez jamais le presse-purée dans une casserole directement sur le feu.
 - Retirez toujours la casserole du feu et laissez-la refroidir légèrement.
 - Placez la casserole ou le bol sur une surface stable et plate et tenez-la avec votre main libre.

* Pour certains modèles uniquement.

- Pour de meilleurs résultats, ne remplissez jamais la casserole ou le bol plus de la moitié.
- Ne traitez jamais plus d'un lot sans interruption.

N'utilisez pas le presse-purée plus de 1 minute par période de 5 minutes.

Hachoir*

[Fig. 7, 8, 9, 10, 11, 12]

1. Placez le bol en verre sur une surface propre et plate, montez la lame supérieure en tournant dans le sens horaire sur l'arbre de lames jusqu'à ce qu'elle soit en place.
2. Montez l'ensemble arbre de lames sur l'axe de broche sur le bol en verre.
3. Coupez la nourriture en morceaux de taille adéquate et placez-la dans le bol en verre. Les morceaux plus gros doivent être coupés en morceaux d'environ 2x2x2.
4. Montez la boîte à engrenages du couvercle sur le bol en verre et appuyez pour la verrouiller en place.
5. Montez le corps principal sur la boîte à engrenages du couvercle qui est complètement assemblée lorsque vous entendez un « clic ».
6. Branchement
7. Appuyez sur la gâchette pour sélectionner la vitesse d'impulsion souhaitée.

Au moment de mettre en marche le corps principal, tenez fermement ce dernier et le bol en verre.

- Appuyez sur la gâchette doucement pour obtenir une vitesse basse.
- Appuyez sur la gâchette fermement pour obtenir une vitesse élevée.
- En alternative, la gâchette peut être pressée pendant peu de temps plusieurs fois pour produire une action d'impulsion.
- Ce qui peut être utilisé pour éviter de trop hacher la nourriture. Faites aller le hachoir jusqu'à ce que le résultat souhaité soit atteint.
- Relâchez la gâchette pour éteindre, sortez les lames en premier, puis versez la nourriture.

Ne faites pas aller le hachoir en continu pendant plus de 30 secondes. Laissez refroidir pendant 1 minutes toutes les 30 secondes de fonctionnement.

Faites la procédure ci-dessus à l'envers pour démonter l'unité.

* Pour certains modèles uniquement.

5. Nettoyage et Entretien

PRÉCAUTIONS : Assurez-vous que le corps principal est débranché de l'alimentation principale et que les lames sont à l'arrêt avant de monter ou de retirer tout accessoire. Démontez toutes les pièces avant de les laver. **NE PAS** immerger le corps principal, la boîte à engrenages du fouet, la boîte à engrenages du presse-purée et la boîte à engrenages du couvercle du hachoir dans l'eau ou tout autre liquide, nettoyez avec une éponge humide ou un chiffon et essuyez.

Le pied en métal peut être rincée sous l'eau courante.

Manipulez les lames avec précaution : elles sont extrêmement aiguisées.

Voici les pièces/outils que vous pourriez mettre au lave-vaisselle pour les nettoyer.

[Fig. 14]

- Gobelet
- Pied du fouet*
- Lame du presse-purée*
- Lame supérieure*
- Arbre de lames*
- Bol en verre*
- Coussin antidérapant

Toutes les pièces doivent être complètement propres et sèches avant d'être rangées.

Mettre en position l'appareil avec les lames, les accessoires du hachoir et le corps principal. Rangez l'appareil dans la boîte ou dans un endroit propre, sec en dehors de la portée des enfants.

6. Dépannage

1. Le mixeur plongeant commence à ralentir ou à forcer pendant le fonctionnement.

Vérifiez que le fond de la tête du moteur est propre et qu'il n'y a pas de connexion de blocage des aliments au moment d'y placer des récipients ou qu'il n'y a pas trop de nourriture dans le récipient.

Si l'unité est en surchauffe, débranchez et attendez environ 10 minutes avant de l'utiliser à nouveau.

2. Trop d'éclaboussures pendant l'utilisation.

Sélectionnez une vitesse plus faible au début et

augmentez au fur et à mesure que le mélange devient plus épais.

Sélectionnez un récipient de la bonne taille.

Placez les lames dans la nourriture avant d'allumer.

3. Le corps principal surchauffe pendant le fonctionnement.

Laissez que l'unité se refroidisse avant de l'utiliser à nouveau.

7. Données techniques

Branchement électrique	220-240V-50/60Hz
Puissance	1000W

8. Informations importantes

Pièces détachées et consommables Haier

Remplacez toujours les pièces par des pièces détachées originales de la marque Haier.

Celles-ci sont disponibles auprès de votre revendeur Haier ou directement auprès de Haier. Lors de la commande de pièces, veuillez toujours préciser le numéro de votre modèle.

QUALITÉ

La qualité des usines Haier a fait l'objet d'une évaluation indépendante. Nos produits sont fabriqués selon un système de qualité conforme à la norme ISO 9001.

VOTRE GARANTIE

Les conditions de garantie de cet appareil sont définies par notre représentant dans le pays où il est vendu et peuvent être obtenues auprès de votre revendeur. Les détails concernant ces conditions peuvent être obtenus auprès du revendeur auprès duquel l'appareil a été acheté. La facture d'achat ou le reçu doivent être présentés pour toutes réclamations relevant des conditions de cette garantie.

1. HINWEISE FÜR DIE SICHERE BENUTZUNG

Das in dieser Bedienungsanleitung beschriebene Gerät ist nur für den Hausgebrauch und ähnliche Zwecke bestimmt. Vor dem Gebrauch des Geräts muss die vorliegende Bedienungsanleitung vollständig gelesen und verstanden worden sein.

ACHTUNG Da für Kleinkinder eine Erstickungsgefahr durch das Verpackungsmaterial besteht, entsorgen Sie es vollständig umgehend nach dem Auspacken des Produkts.

Das Gerät darf von Personen mit eingeschränkten physischen, sensorischen oder mentalen Fähigkeiten oder mit fehlender Erfahrung oder unzureichendem Wissen über das Gerät benutzt werden, wenn diese umfassend in die sichere Bedienung eingewiesen wurden und die möglichen Gefahren verstanden haben. Kinder sollten beaufsichtigt werden, um sicherzustellen, dass sie nicht mit dem Gerät spielen. Bewahren Sie das Gerät und sein Kabel außerhalb der Reichweite von Kindern auf.

Dieses Gerät (mit Sahneschlägern und Schneebesen als Zubehör) darf von Kindern ab 8 Jahren benutzt werden, wenn sie beaufsichtigt oder in die sichere Bedienung des Geräts eingewiesen wurden und die möglichen Gefahren verstanden haben. Die Reinigung und Wartung darf nicht von Kindern ausgeführt werden, es sei denn,

sie sind älter als 8 Jahre und werden von einem Erwachsenen beaufsichtigt. Bewahren Sie das Gerät und sein Kabel außerhalb der Reichweite von Kindern unter 8 Jahren auf.

Ziehen oder tragen Sie das Gerät nicht am Netzkabel. Ziehen Sie das Netzkabel des Geräts immer am Stecker aus der Steckdose, nicht am Kabel. Legen Sie das Netzkabel nicht über scharfe Kanten oder in die Nähe von heißen Oberflächen. Verwenden Sie keine Verlängerungskabel. Wenn das Netzkabel beschädigt ist, darf das Gerät NICHT mehr benutzt werden. Im Falle eines Defekts darf das Netzkabel nur durch einen autorisierten Haier-Servicetechniker ausgetauscht werden.

Verwenden Sie nur Zubehör, Verbrauchsmaterial oder Ersatzteile, die von Haier empfohlen oder geliefert werden.

ACHTUNG Es besteht Verletzungsgefahr! Der falsche Gebrauch des Gerätes kann zu Verletzungen führen.

ACHTUNG Die Schneidmesser sind sehr scharf. Seien Sie deshalb beim Auf- und Abbau, Entleeren des Behälters und beim Reinigen besonders vorsichtig.

ACHTUNG Stellen Sie sicher, dass das Gerät ausgeschaltet ist und nicht mehr läuft, wenn Sie es aus dem Behälter nehmen. Ziehen Sie immer den Stecker aus der Steckdose, wenn das

Gerät unbeaufsichtigt ist, und bevor Sie es zusammenbauen, zerlegen, reinigen oder im Falle eines Fehlers.

Verwenden Sie das Gerät mit der auf dem Typenschild angegebenen Stromspannung.

Verwenden Sie das Gerät nur auf einer trockenen, ebenen Oberfläche und bewegen Sie es niemals während des Betriebs. Das Gerät ist nur für das Mischen oder Mixen von Lebensmitteln in der in der Bedienungsanleitung empfohlenen Größe und Menge bestimmt. Es darf nicht für einen anderen als den vorgesehenen Zweck verwendet werden.

Verwenden Sie den Glasbehälter nicht direkt nach dem Sie ihn aus der Spülmaschine oder dem Kühlschrank genommen haben. Stellen Sie sicher, dass er sich vor Gebrauch mindestens 5 Minuten lang an die Raumtemperatur anpasst.

Schalten Sie das Gerät erst ein, wenn die Messereinheit sicher befestigt und von den Zutaten umschlossen ist.

Seien Sie vorsichtig, wenn heiße Flüssigkeit in die Küchenmaschine oder den Mixer gegossen wird, da sie durch plötzliches Dampfen aus dem Gerät herausspritzen kann. Seien Sie vorsichtig, wenn Sie heiße Lebensmittel verarbeiten, die spritzen könnten.

Schalten Sie das Gerät aus und ziehen Sie den Stecker aus der Steckdose, bevor Sie Zubehör austauschen oder sich Teilen

nähern, die sich im Betrieb bewegen.

Das Gerät darf nicht mit einer externen Zeitschaltuhr oder einem separaten Fernbedienungssystem betrieben werden.

Ziehen Sie den Stecker aus der Steckdose und lassen Sie die Schneidmesser vollständig stoppen, bevor Sie Teile entfernen, reinigen oder warten. Tauchen Sie den Teil mit dem Motor während des Gebrauchs niemals in die Zutat und reinigen Sie ihn nicht unter fließendem Wasser. Benutzen Sie das Gerät niemals mit nassen Händen.

Achten Sie bei Oberflächen, die mit Lebensmitteln in Berührung kommen sollen, darauf, dass sie sauber sind! Bitte beachten Sie die Hinweise zur Reinigung in der Bedienungsanleitung.

Verwenden Sie Ihr Gerät nicht weiter, wenn es defekt erscheint.

Haier-Kundendienst: Um den sicheren und effizienten Betrieb dieses Geräts auf Dauer zu gewährleisten, empfehlen wir, Wartungs- und Reparaturarbeiten ausschließlich von einem zugelassenen Haier-Servicetechniker durchführen zu lassen.

Rezept:

Gemüse/Fruchtsaft (1 Minute ein / 1 Minute aus, maximal 5 Zyklen)

Becher: 360 g Karotten + 540 g Wasser

Honig-Butter-Sauce (5 Sekunden ein / 2 Minuten aus, maximal 3 Zyklen)

Zerkleinerer Glasbehälter: 200 g Butter + 300 g Honig

Biskuitkekse (Maximal 10 Minuten)
Becher: 720 g Eiweiß

Hinweis zum Rezept:

1) Bei jedem Gebrauch sollte die Anzahl der aufeinander folgenden Betriebszyklen oder die Zeit und die Lebensmittelmenge nicht mehr als die oben angegebenen Werte betragen. Nach jedem Gebrauch müssen mindestens 10 Minuten Ruhezeit abgewartet werden, damit sich das Gerät auf Zimmertemperatur abkühlt.
2) Wenn Sie das Gerät während des Betriebs anhalten wollen, lassen Sie einfach die EIN/AUS-Taste los.

Umweltschutz

Das am Gerät angebrachte Symbol gibt an, dass dieses Gerät nicht als Hausmüll behandelt werden darf, sondern an einer zuständigen Sammelstelle für das Recycling von elektrischen und elektronischen Geräten zu entsorgen ist. Die Entsorgung ist in Übereinstimmung mit örtlich geltenden Vorschriften für die umweltgerechte Abfallentsorgung vorzunehmen. Ausführlichere Informationen über die Müllentsorgung und das Recycling dieses Geräts erhalten Sie von der zuständigen Umweltbehörde, der Müllentsorgungsstelle Ihrer Gemeindeverwaltung oder dem Händler, bei dem Sie das Gerät erworben haben.



C E Dieses Gerät erfüllt die Europäischen Richtlinien 2014/35/EU, 2014/30/EU und 2011/65/EU.

CANDY HOOVER GROUP S.r.l. Via
Comolli 16, 20861 Brugherio(MB), ITALY

2. Beschreibung Ihres Stabmixers

- A. EIN/AUS-Taster
- B. Gerätekorpus
- C. Metall-Mixfuß
- D. Becher
- E. Schneebesenge triebe*
- F. Doppelter Schneebesens*
- G. Kartoffelstampfergetriebe*
- H. Kartoffelstampferbein*
- I. Kartoffelstampfermesser*
- J. Getriebe des Zerkleinererdeckels*
- K. Zerkleinerer oberes Messer*
- L. Zerkleinerer Messerwelle*
- M. Zerkleinerer Glasbehälter*
- N. Spindelstift
- O. Rutschfeste Unterlage

3. Vor dem ersten Verwenden

Reinigen Sie das Gerät und das Zubehör bevor Sie es zum ersten Mal benutzen. Reinigen Sie die Teile, die mit Lebensmitteln in Berührung kommen, besonders gründlich. (Informationen zur Reinigung finden Sie in Kapitel 5)

- Geben Sie die Lebensmittel in den Becher oder einen ähnlichen Behälter und halten Sie den Becher immer fest.
- Füllen Sie den Becher nicht über die Anzeigeskala hinaus. Um Spritzer zu vermeiden, stecken Sie den Messersockel vor dem Einschalten in die zu verarbeitenden Lebensmittel. Achten Sie immer darauf, dass die Unterseite des Messersockels während der Verarbeitung vollständig in die Zutaten gesteckt ist.
- Füllen Sie die Glasschüssel des Zerkleinerers für ein besseres Mixen nicht mehr als zur Hälfte.

* Nur in bestimmten Modellen.

- Stecken Sie das Metallbein nur in die Lebensmittel, aber nicht weiter, als die Metallteile reichen, weil sonst die Gefahr eines Stromschlags besteht!
- Stecken Sie keine Metallgegenstände in den Glasbehälter.
- Mixen Sie keine Zutaten, die größer als 2 x 2 x 2 cm sind.
- Der Stabmixer und der Metallschneebeesen können die Antihafbeschichtung zerkratzen oder beschädigen. Verwenden Sie ihn nicht in antihafbeschichtetem Kochgeschirr.
- Verwenden Sie keine Teile in der Mikrowelle oder legen Sie hinein.
- Verwenden Sie den Stabmixer nicht für dickflüssige Mischungen, um eine lange Lebensdauer sicherzustellen. Wenn der Gerätekörper überhitzt, ziehen Sie den Stecker aus der Steckdose und lassen Sie das Gerät etwa 10 Minuten abkühlen, bevor Sie es wieder benutzen.
- Auf dem Boden des Bechers und des Glasbehälters des Zerkleinerers kann eine rutschfeste Unterlage angebracht werden.

4. Verwendung des Stabmixers

Leistungsregulierung [Abb. 13]

Drücken Sie die EIN/AUS-Taste, um die gewünschte Geschwindigkeit zu wählen und anzupassen.

Drücken Sie vorsichtig auf die EIN/AUS-Taste, um eine niedrige Geschwindigkeit zu erhalten. Drücken Sie die EIN/AUS-Taste, um eine hohe Geschwindigkeit zu erhalten.

Er eignet sich hervorragend für die Zubereitung von Dips, Soßen, Salatdressings, Suppen, Babynahrung sowie Getränken, Smoothies und Milchshakes, auch zum Mixen von harten Lebensmitteln, z. B. rohem Obst und Gemüse.

Metall-Mixfuß [Abb. 1]

Befestigen Sie den Metallfuß durch Drehen entgegen dem Uhrzeigersinn am Gerätekörper bis Sie ein Klicken hören.

- Wenn Sie das Gerät zum Pürieren von heißen Lebensmitteln in einem Topf oder einer Kasserolle verwenden, nehmen Sie den Topf oder die Kasserolle von

der Wärmequelle und achten Sie darauf, dass die Flüssigkeit nicht kocht. Lassen Sie die heiße Speise leicht abkühlen, um einer Verbrühungsgefahr vorzubeugen.

- Lassen Sie den Stabmixer nicht in einer heißen Pfanne oder einem Kochtopf auf dem Kochfeld stehen, wenn er nicht benutzt wird.
- Verwenden Sie den Metallfuß nicht länger als 1 Minute innerhalb von 4 Minuten.

Doppelter Schneebeesen* [Abb. 2,3]

1. Stecken Sie die Stabmixerbeine erst dann in die Öffnung des Getriebes, wenn dieser vollständig zusammengebaut ist. Sie werden ein Klicken hören, wenn er zusammengebaut ist.
 2. Stecken Sie das Schneebeesengetriebe in den Gerätekörper, indem Sie es entgegen dem Uhrzeigersinn drehen. Wenn es vollständig befestigt ist, hören Sie ein Klicken.
- Verwenden Sie den Schneebeesen nur zum Schlagen von Sahne, Eischnee, Biskuit und Fertigdesserts.
 - Um Spritzer zu vermeiden, beginnen Sie langsam und verwenden Sie den Schneebeesenaufsatz in tiefen Behältern.
 - Verwenden Sie den Schneebeesen nicht länger als 3 Minuten innerhalb eines Zeitraums von 10 Minuten.

Kartoffelstampfer* [Abb. 4,5,6]

Er kann zum Pürieren von gekochten Kartoffeln verwendet werden.

1. Befestigen Sie das Kartoffelstampfergetriebe am Kartoffelstampferfuß, indem Sie ihn im Uhrzeigersinn drehen. Wenn er vollständig befestigt ist, hören Sie ein Klicken.
 2. Setzen Sie das Kartoffelstampfermesser auf die zentrale Nabe und drehen Sie es im Uhrzeigersinn. Wenn es sicher befestigt ist, hören Sie ein Klicken.
 3. Befestigen Sie das Kartoffelstampfergetriebe am Gerätekörper. Drehen Sie es gegen den Uhrzeigersinn bis es einrastet.
- Verwenden Sie den Kartoffelstampfer niemals in einem Kochtopf über direkter Hitze.
 - Nehmen Sie den Kochtopf immer vom Herd und lassen Sie ihn etwas abkühlen.
 - Stellen Sie den Kochtopf oder die Schüssel auf eine stabile, ebene Oberfläche und halten Sie ihn mit der freien Hand fest.
 - Um beste Ergebnisse beim Pürieren zu erzielen, füllen Sie den Kochtopf oder

* Nur in bestimmten Modellen.

die Schüssel nie mehr als zur Hälfte mit Lebensmitteln.

- Verarbeiten Sie nicht mehr als eine Charge ohne Unterbrechung.

Verwenden Sie den Kartoffelstampfer nicht länger als 1 Minute innerhalb eines Zeitraums von 5 Minuten.

Zerkleinerer Aufsatz*

[Abb. 7, 8, 9, 10, 11, 12]

1. Stellen Sie den Glasbehälter auf eine saubere, ebene Fläche, drehen Sie das obere Messer im Uhrzeigersinn auf die Messerwelle bis es einrastet.
2. Befestigen Sie die Messerwelle über dem Glaskrug auf den Spindelstift.
3. Schneiden Sie die Lebensmittel in Stücke geeigneter Größe und legen Sie sie in den Glasbehälter. Größere Lebensmittelstücke sollten in ca. 2 x 2 x 2 cm große Stücke geschnitten werden.
4. Befestigen Sie das Deckelgetriebe auf dem Glasbehälter und drücken Sie bis es einrastet.
5. Drehen Sie den Gerätekörper im Uhrzeigersinn auf das Deckelgetriebe. Wenn er sicher befestigt ist, hören Sie ein Klicken.
6. Stecken Sie den Netzstecker in die Steckdose
7. Drücken Sie die EIN/AUS-Taste, um die gewünschte Drehzahl zu erreichen.

Halten Sie den Gerätekörper und den Glasbehälter fest, wenn Sie den Zerkleinerer benutzen.

- Drücken Sie die EIN/AUS-Taste vorsichtig, um mit einer niedrigen Drehzahl zu beginnen.
- Drücken Sie die EIN/AUS-Taste, um eine hohe Geschwindigkeit zu erhalten.
- Alternativ kann die EIN/AUS-Taste mehrmals für kurze Zeit gedrückt werden, um eine pulsierende Wirkung zu erzielen.
- Diese Methode kann verwendet werden, um eine zu starke Zerkleinerung der Lebensmittel zu vermeiden. Betätigen Sie den Zerkleinerer bis das gewünschte Ergebnis erreicht ist.
- Um das Gerät auszuschalten, lassen Sie die EIN/AUS-Taste einfach los. Nehmen Sie zuerst die Messer heraus und gießen Sie dann die Lebensmittel aus.

Lassen Sie den angebauten Zerkleinerer nicht länger als 30 Sekunden am Stück laufen. Lassen Sie das Gerät nach jedem 30-Sekunden-Betrieb 1 Minute lang abkühlen.

Um das Gerät zu zerlegen, gehen Sie in umgekehrter Reihenfolge vor.

* Nur in bestimmten Modellen.

5. Reinigung und Wartung

ACHTUNG: Vergewissern Sie sich, bevor Sie Zubehörteile anbringen oder entfernen, dass das Gerät vom Stromnetz getrennt ist und die Messer sich nicht mehr drehen.

Zerlegen Sie alle Teile vor dem Waschen.

Tauchen Sie den Gerätekörper, das Schneebesengetriebe, das Kartoffelstampfergetriebe und das Zerkleinerungsdeckelgetriebe **NICHT** in Wasser oder andere Flüssigkeiten, sondern reinigen Sie es mit einem feuchten Schwamm oder Tuch und wischen Sie es trocken.

Der Metallfuß kann unter fließendem Wasser abgespült werden.

Behandeln Sie die Klingen mit Vorsicht, denn sie sind extrem scharf.

Sie können die folgenden Teile/Werkzeuge in der Geschirrspülmaschine reinigen.

[Abb. 14]

- Becher
- Schneebesenbein*
- Kartoffelstampfermesser*
- Oberes Messer*
- Messerwelle*
- Glasbehälter*
- Rutschfeste Unterlage

Alle Teile müssen vollständig gereinigt und trocken sein, bevor sie gelagert werden.

Bauen Sie das Gerät mit den Messern, dem anbaubaren Zerkleinerer und dem Gerätekörper in der richtigen Position zusammen.

Bewahren Sie das Gerät in der Verpackung oder an einem sauberen, trockenen und für Kinder unzugänglichen Ort auf.

6. Fehlerbehebung

1. Der Stabmixer startet langsam oder wird während der Verarbeitung langsamer.

Prüfen Sie, ob die Unterseite des Motorkopfes sauber ist und keine Lebensmittel den Anschluss beim Aufsetzen den Behälter blockieren oder ob sich eine zu große Menge Lebensmittel im Behälter befindet.

Wenn sich das Gerät überhitzt hat, ziehen Sie den Netzstecker aus der Steckdose und warten Sie 10 Minuten, bevor Sie es wieder benutzen.

2. Übermäßiges Spritzen während der Verarbeitung

Wählen Sie anfangs eine niedrige Geschwindigkeit und erhöhen Sie diese, wenn die Mischung eindickt.
Wählen Sie einen Behälter von angemessener Größe. Stecken Sie die Messer vor dem Einschalten in die Lebensmittel.

3. Der Gerätekörper wird während des Betriebs heiß.

Lassen Sie das Gerät vollständig abkühlen, bevor Sie es wieder benutzen.

7. Technische Daten

Elektrischer Anschluss	220-240V-50/60Hz
Leistung	1000W

8. Wichtige Informationen

Haier Ersatzteile und Verbrauchsmaterial

Ersetzen Sie Teile immer durch Original-Ersatzteile von Haier.
Diese sind bei Ihrem Haier-Händler vor Ort oder direkt bei Haier erhältlich. Geben Sie bei der Bestellung von Ersatzteilen bitte stets die komplette 16-stellige Artikelnummer Ihres Gerätemodells an (siehe Typenplakette auf der Rückseite des Geräts).

QUALITÄT

Die Werke von Haier wurden unabhängig auf ihre Qualität geprüft. Unsere Produkte werden nach einem Qualitätsstandard hergestellt, der die Anforderungen von ISO 9001 erfüllt.

GARANTIEERKLÄRUNG

Die Garantiebestimmungen für dieses Gerät entsprechen den Richtlinien des Landes, in dem Sie das Gerät erworben haben. Einzelheiten zu diesen Bestimmungen erhalten Sie vom Händler, bei dem Sie das Gerät erworben haben oder aus dem Garantieheft, das der Verpackung beiliegt. Bitte bewahren Sie den Kaufbeleg sorgfältig auf, denn er wird für eventuell auftretende Garantieansprüche benötigt.

1. ISTRUZIONI PER UN USO SICURO

Questo apparecchio è destinato esclusivamente all'uso domestico come descritto in questa guida per l'utente. Accertarsi di aver compreso le istruzioni prima di mettere in funzione l'apparecchio.

AVVERTENZA Per evitare il rischio di soffocamento di bambini, buttare tutti i materiali di imballaggio subito dopo aver estratto il prodotto. Questo elettrodomestico può essere utilizzato da persone dalle ridotte capacità fisiche, sensoriali o mentali, o mancanza di esperienza e conoscenza, se hanno ricevuto una supervisione o istruzioni riguardo l'uso dell'apparecchio in modo sicuro e hanno compreso i relativi rischi.

I bambini devono essere sorvegliati per assicurarsi che non utilizzino o giochino con l'apparecchio. Tenere l'apparecchio e il suo cavo fuori dalla portata dei bambini.

Questo apparecchio (con i suoi accessori, fruste per montare e sbattiuova) può essere usato da bambini di età pari o superiore a 8 anni se sorvegliati o istruiti sull'uso dell'apparecchio in sicurezza e se hanno compreso i relativi pericoli. Pulizia e manutenzione non possono essere eseguite da bambini, a meno che non abbiano più di 8 anni e siano comunque sorvegliati da parte di una

persona responsabile. Tenere l'apparecchio e il suo cavo fuori dalla portata dei bambini con età inferiore agli 8 anni.

Non tirare o trasportare l'apparecchio tramite il cavo di alimentazione. Scollegare sempre l'apparecchio dalla presa tirando la spina e non il cavo. Non collocare il cavo di alimentazione sopra bordi taglienti o vicino a superfici calde. Non usare prolunghie. Se il cavo di alimentazione è danneggiato, interrompere immediatamente l'utilizzo dell'apparecchio. Per evitare pericoli, il cavo di alimentazione dovrà essere sostituito da un tecnico del servizio assistenza autorizzato Haier.

Utilizzare solo accessori o parti di consumo e di ricambio consigliati o forniti da Haier.

AVVERTENZA Rischio di lesioni! L'uso scorretto dell'apparecchio potrebbe causare delle lesioni.

AVVERTENZA Le lame sono molto affilate: prestare attenzione quando vengono maneggiate durante il montaggio e lo smontaggio, lo svuotamento della caraffa e la pulizia.

AVVERTENZA Assicurarsi che l'apparecchio sia spento e che si sia fermato prima di rimuoverlo dalla caraffa. Disconnettere sempre l'apparecchio dalla presa

di alimentazione se viene lasciato incustodito e prima di montarlo, smontarlo, pulirlo o in caso di guasto.

Utilizzare l'apparecchio solo in accordo con la potenza specificata sulla targhetta. Usare l'apparecchio solo su una superficie piana e asciutta e mai muoverlo mentre è in funzione.

L'apparecchio è destinato unicamente a frullare o mescolare cibo delle dimensioni e della quantità indicate nelle istruzioni. Non deve essere utilizzato per altri usi oltre a quello indicato. Non usare la caraffa di vetro dopo che è appena stata tolta dalla lavastoviglie o dal frigorifero. Assicurarsi che sia rimasta a temperatura ambiente per almeno 5 minuti prima dell'uso.

Non avviare l'apparecchio finché l'unità lame non è stata fissata correttamente e immersa negli ingredienti. Fare attenzione se del liquido caldo viene versato nel frullatore, potrebbe venire espulso all'esterno dell'apparecchio a causa di un'emissione di vapore improvvisa. Prestare attenzione se si utilizza del cibo caldo che potrebbe fuoriuscire.

Spegnere l'apparecchio e scollegarlo dalla presa di alimentazione prima di cambiare accessori o avvicinarsi a componenti in movimento durante l'utilizzo.

Non mettere in funzione l'apparecchio servendosi di un timer esterno o un qualsiasi sistema di controllo a distanza. Scollegare dalla presa di alimentazione e lasciare che le lame si fermino completamente prima di rimuovere qualsiasi componente o prima di pulire o effettuare operazioni di manutenzione.

Non immergere la base del motore negli ingredienti quando si utilizza l'apparecchio e non pulirla sotto acqua corrente. Non azionare l'apparecchio con le mani bagnate.

Prestare attenzione alla pulizia delle superfici che verranno a contatto con il cibo! Prestare attenzione alle informazioni sulla pulizia contenute all'interno delle istruzioni. Non continuare a utilizzare l'apparecchio in caso di presunto guasto.

Assistenza Haier: Per garantire un funzionamento sempre sicuro ed efficiente dell'apparecchiatura, si consiglia di fare eseguire eventuali interventi di assistenza o di riparazione da un tecnico di servizio autorizzato Haier.

Ricetta:

Verdura/Succo di frutta (1 min accesso / 1 min spento, massimo 5 cicli)

Becher: 360 g carote + 540 g acqua

Salsa burro e miele (5 sec acceso / 2 min spento, massimo 3 cicli)
Caraffa in vetro del tritatutto:
200 g burro + 300 g miele

Pan di spagna (massimo 10 min)
Becher: 720 g albume d'uovo


Nota sulla ricetta:

1) Per ciascun utilizzo, il ciclo di funzionamento consecutivo o il tempo e la quantità di cibo non devono essere superiori a quelli indicati sopra. È necessario mantenere almeno 10 minuti di riposo, in modo che l'unità si raffreddi a temperatura ambiente prima del prossimo utilizzo;
2) Se si desidera arrestare l'apparecchio mentre è in funzione, rilasciare il pulsante ON/OFF (accensione/spengimento) in qualsiasi momento.

Ambiente:

Il simbolo apposto sul prodotto indica che lo stesso non può essere smaltito come i normali rifiuti domestici, ma deve essere portato al punto di raccolta o al centro di riciclaggio delle apparecchiature elettriche ed elettroniche più vicino. Lo smaltimento deve essere eseguito in conformità alle normative locali vigenti per la salvaguardia dell'ambiente e lo smaltimento dei rifiuti. Per ulteriori informazioni sul trattamento, il recupero e il riciclaggio di questo prodotto, contattare l'unità territoriale competente per il servizio di smaltimento o il negozio in cui il prodotto è stato acquistato.



Questo prodotto è conforme alle
 Direttive Europee 2014/35/
EU, 2014/30/EU e 2011/65/
EU.

CANDY HOOVER GROUP S.r.l. Via
Comolli 16, 20861 Brugherio(MB), ITALY

2. Descrizione del Frullatore Portatile

- A. Pulsante di attivazione ON/OFF (accensione/spengimento)
- B. Corpo principale
- C. Gamba frullatrice metallica
- D. Becher
- E. Box ingranaggi delle fruste*
- F. Doppia frusta*
- G. Box ingranaggi dello schiacciapate*
- H. Gamba dello schiacciapate*
- I. Lama dello schiacciapate*
- J. Box ingranaggi del coperchio del tritatutto*
- K. Lama superiore del tritatutto*
- L. Asse delle lame del tritatutto*
- M. Caraffa in vetro del tritatutto*
- N. Perno
- O. Pad antiscivolo

3. Prima del primo utilizzo

Prima di usare l'apparecchio e i suoi accessori per la prima volta, pulire a fondo le parti che saranno a contatto con il cibo. (Per dettagli sulla pulizia fare riferimento al Capitolo 5)

- Mettere il cibo in un becher o un contenitore simile e tenerlo fermo.
- Non riempire il becher oltre la scala misurata. Per evitare fuoriuscite, immergere la base della lama nel cibo che deve essere lavorato prima di accendere. Assicurarsi che il fondo della lama sia completamente immerso negli ingredienti durante la lavorazione.
- Per un migliore mescolamento, non riempire il recipiente di vetro del tritatutto oltre la metà.
- Immergere solo la gamba metallica nel cibo, ma non superare le parti metalliche

* Solo in alcuni modelli.

per evitare il rischio di scosse elettriche!

- Non inserire oggetti metallici nella caraffa di vetro.
- Non mescolare pezzi di ingredienti più grandi di 2x2x2cm.
- L'asse di metallo del frullatore e le fruste potrebbero graffiare o danneggiare rivestimenti antiaderenti. Non utilizzarli su utensili da cucina antiaderenti.
- Non usare o inserire i componenti nel microonde.
- Per garantire una lunga durata del frullatore portatile non usarlo per delle miscele compatte. Se il corpo principale si surriscalda, scollegare l'apparecchio e lasciare che si raffreddi per approssimativamente 10 minuti prima di riutilizzarlo.
- Il pad antiscivolo può essere messo sotto la base del becher e della caraffa di vetro del tritatutto per non farli scivolare.

4. Uso del Frullatore Portatile

Controllo di potenza [Fig. 13]

Premere il pulsante ON/OFF (accensione/spengimento) per selezionare e regolare la velocità richiesta.

Premere leggermente il pulsante di attivazione per ottenere una bassa velocità.

Premere il pulsante di attivazione in modo deciso per ottenere una velocità alta.

È perfettamente adatto alla preparazione di intingoli, salse, condimenti per insalate, zuppe, cibo per bambini, bevande, frullati e milkshake e anche al mescolamento di cibi duri, come frutta e verdura

Gamba frullatrice metallica [Fig. 1]

Montare la gamba metallica al corpo principale avvitandola in senso antiorario. Quando montata correttamente si udirà un suono acustico "click".

- Se si sta usando l'apparecchio per preparare una passata con del cibo caldo in una casseruola o una pentola, rimuoverle dalla sorgente di calore e

assicurarsi che il liquido non stia bollendo. Attendere che il cibo caldo si raffreddi lentamente per evitare il rischio di scottatura.

- Non lasciare il frullatore appoggiato su una padella o una pentola calda o sul piano di cottura quando non lo si sta utilizzando.
- Non usare la gamba metallica per più di 1 minuto ogni 4 minuti di tempo.

Doppia frusta* [Fig. 2,3]

1. Inserire le fruste nel foro del box ingranaggi; quando saranno inserite correttamente si udirà un suono acustico "click".
 2. Montare il box ingranaggi delle fruste sul corpo principale girando in senso antiorario; quando tutto sarà assemblato correttamente si udirà un suono acustico "click".
- Usare le fruste soltanto per montare la panna, sbattere l'albume d'uovo, preparare il pan di Spagna e preparati per dolci.
 - Per evitare fuoriuscite, avviare lentamente e usare le fruste in contenitori profondi.
 - Non usare le fruste per più di 3 minuti ogni 10 minuti.

Schiacciapatate* [Fig. 4,5,6]

Può essere usato per schiacciare patate bollite.

1. Inserire l'estremità dello schiacciapatate nel suo box ingranaggi ruotando in senso orario; quando inserito correttamente si udirà un suono acustico "click".
 2. Montare la lama dello schiacciapatate al centro e ruotare in senso orario; quando inserita correttamente si udirà un suono acustico "click".
 3. Montare il box ingranaggi dello schiacciapatate sul corpo principale ruotando in senso antiorario finché non si incastra in posizione.
- Mai utilizzare lo schiacciapatate in una casseruola a contatto diretto con una fonte di calore.
 - Rimuovere la casseruola dalla fonte di calore e attendere che si raffreddi quasi completamente.
 - Appoggiare la padella o un recipiente su una superficie stabile e piana e tenerlo fermo manualmente.
 - Per ottenere i risultati migliori, mai riempire

* Solo in alcuni modelli.

la casseruola o il recipiente di cibo per più della metà della loro capienza.

- Non lavorare più di una porzione alla volta senza interrompere.

Non usare lo schiacciapatate per più di 1 minuto ogni 5 minuti di tempo.

Accessorio tritatutto*

[Fig. 7,8,9,10,11,12]

1. Porre la caraffa di vetro su una superficie pulita e piana, montare la lama ruotando in senso orario sull'asse delle lame finché non si incastra in posizione.
2. Montare l'unità delle lame sul perno apposito sulla caraffa di vetro.
3. Tagliare il cibo in pezzi della misura adatta e aggiungerli nella caraffa di vetro. I pezzi di cibo più grandi devono essere tagliati approssimativamente in pezzi di 2x2x2 cm.
4. Montare il box ingranaggi del coperchio sulla caraffa di vetro e premere per incastrarlo in posizione.
5. Montare il corpo principale sul box ingranaggi del coperchio; quando inserito correttamente si udirà un suono acustico "click"
6. Collegare la presa
7. Premere il pulsante d'avvio per selezionare la velocità d'impulso ottimale.

Quando il corpo principale è in funzione, tenerlo saldamente sulla caraffa di vetro.

- Premere leggermente il pulsante d'avvio per ottenere una velocità bassa.
- Premere il pulsante di attivazione in modo deciso per ottenere una velocità alta.
- In alternativa, premere il pulsante d'avvio per brevi intervalli di tempo per un funzionamento a intermittenza.
- È consigliato utilizzare questo metodo per evitare di tritare troppo alcuni ingredienti. Tenere in funzione il tritatutto finché il risultato previsto non viene raggiunto.
- Lasciare il pulsante d'innescio in modo deciso per spegnere, estrarre le lame e versare il cibo.

Non mantenere in funzione l'accessorio tritatutto per più di 30 secondi di seguito. Lasciare a riposo per 1 minuto ogni 30 secondi di funzionamento.

Eseguire al contrario la procedura indicata in precedenza per smontare l'apparecchio.

* Solo in alcuni modelli.

5. Pulizia & Manutenzione

AVVERTENZA: Assicurarsi che il corpo principale sia scollegato dalla presa di alimentazione e che le lame abbiano smesso di girare prima di inserire o rimuovere un qualsiasi accessorio. Smontare tutti i componenti prima di lavare.

NON immergere il corpo principale, il box ingranaggi delle fruste, quello dello schiacciapatate, o quello del coperchio del tritatutto in acqua o in un altro liquido. Pulire con una spugna umida o un panno e ripassare per asciugare.

La gamba metallica può essere risciacquata sotto l'acqua corrente.

Maneggiare le lame facendo attenzione: sono estremamente affilate.

I componenti/accessori indicate/i di seguito si possono pulire in lavastoviglie.

[Fig. 14]

- Becher
- Fruste*
- Lama dello schiacciapatate*
- Lama superiore*
- Asse delle lame*
- Caraffa di vetro*
- Pad anticivolo

Tutti i componenti devono essere puliti a fondo e asciugati prima di essere riposti.

Montare sull'apparecchio le lame, gli accessori tritatutto e il corpo principale.

Conservare l'apparecchio nella scatola o in un ambiente asciutto e pulito, ben al di fuori dalla portata dei bambini.

6. Domande frequenti

1. Il frullatore portatile inizia a rallentare o a fare sforzo durante il funzionamento.

Controllare che il fondo della testa motore sia pulito, che non ci sia del cibo che blocchi l'inserimento quando viene installato un contenitore o che il contenitore non sia troppo pieno di cibo.

Se l'unità si surriscalda, scollegare e attendere circa 10 minuti prima di utilizzarla nuovamente.

2. Le fuoriuscite durante il funzionamento sono eccessive.

Selezionare inizialmente una velocità bassa e

aumentare la velocità mentre il composto si amalgama.

Scegliere un contenitore di dimensioni appropriate. Immergere le lame nel cibo prima di accendere.

3. Il corpo principale si riscalda durante il funzionamento.

Lasciare che l'unità si raffreddi prima di riprendere l'utilizzo.

7. Dati tecnici

Connessione elettrica	220-240V-50/60Hz
Potenza	1000W

8. Informazioni importanti

Ricambi e Consumabili Haier

Sostituire i componenti sempre con parti di ricambio originali Haier.

Sono disponibili dal fornitore Haier locale o direttamente da Haier. Quando si ordinano delle parti di ricambio, ricordarsi sempre di fornire il numero di modello dell'apparecchio utilizzato.

QUALITÀ

Il controllo di qualità degli stabilimenti Haier è stato effettuato da enti indipendenti. I nostri prodotti vengono realizzati mediante un sistema di qualità che soddisfa i requisiti ISO 9001.

REGOLAMENTO PER LA GARANZIA

Le condizioni di garanzia relative a questo apparecchio sono definite dal rappresentate nel Paese di vendita. Per conoscere in dettaglio le condizioni, rivolgersi al distributore presso il quale l'apparecchio è stato acquistato. Per ogni contestazione ai sensi dei termini della garanzia, è necessario mostrare la fattura o un documento di acquisto equivalente.

1. INSTRUCTIES VOOR VEILIG GEBRUIK

Dit apparaat is uitsluitend bedoeld voor huishoudelijk gebruik, zoals beschreven in deze gebruikershandleiding. Zorg ervoor dat u de handleiding volledig begrijpt voordat u het apparaat in gebruik neemt.

WAARSCHUWING Om gevaar op verstikking voor jonge kinderen uit te sluiten, dient u al het verpakkingsmateriaal onmiddellijk na het verwijderen van het product weg te gooien. Dit apparaat kan gebruikt worden door personen met beperkte fysieke, sensorische of mentale capaciteiten, of met gebrek aan ervaring en kennis, als hen de juiste supervisie of instructie is gegeven wat betreft het veilige gebruik van het apparaat en zij de risico's hiervan begrijpen.

Kinderen moeten onder toezicht staan om ervoor te zorgen dat ze het apparaat niet gebruiken of ermee spelen. Houd het apparaat en het snoer buiten bereik van kinderen.

Dit apparaat (met accessoire om room of eieren op te kloppen) kan gebruikt worden door kinderen vanaf 8 jaar als ze onder toezicht staan of instructies gekregen hebben over het veilige gebruik van het apparaat, en als ze de gevaren begrijpen. Reiniging en gebruikersonderhoud mogen niet door kinderen worden

uitgevoerd, tenzij ze ouder zijn dan 8 jaar en onder toezicht staan. Houd het toestel en het snoer buiten het bereik van kinderen jonger dan 8 jaar.

Trek of draag het toestel niet aan de stroomkabel. Trek de stekker altijd uit het stopcontact aan de stekker in plaats van aan het snoer. Leg het netsnoer niet over scherpe randen of in de buurt van hete oppervlakken. Gebruik geen verlengsnoer.

Indien de stroomkabel beschadigd is, stop dan onmiddellijk met het toestel te gebruiken. Om veiligheidsgevaar te vermijden, mag enkel een erkende Haier dienstingenieur de stroomkabel vervangen. Gebruik enkel toebehoren, gebruiksartikelen of reserveonderdelen die door Haier aanbevolen of geleverd worden.

WAARSCHUWING

Verwondingsgevaar! Verkeerd gebruik van het apparaat kan mogelijk leiden tot letsel.

OPGELET De messen zijn zeer scherp, pas op bij het monteren en demonteren, het legen van de kan en het schoonmaken.

OPGELET Zorg ervoor dat het apparaat uitgeschakeld is en niet meer draait voordat u het van de kan haalt.

Trek de stekker altijd uit het stopcontact wanneer u het

toestel onbeheerd achterlaat, en voordat u het monteert, demonteert, schoonmaakt, of wanneer er zich een fout voordoet.

Gebruik het toestel alleen conform de vermogensspecificatie op het typeplaatje.

Gebruik het apparaat alleen op een droge, vlakke ondergrond en verplaats het nooit terwijl het in werking is.

Het apparaat is alleen bedoeld om etenswaren te mengen of mixen met het formaat en de hoeveelheden die in de gebruiksaanwijzing worden aanbevolen. Het mag niet voor een andere doel worden gebruikt dan het beoogd gebruik.

Gebruik een glazen kan niet meteen nadat u deze uit de vaatwasser of koelkast heeft gehaald. Laat de kan minstens 5 minuten op kamertemperatuur staan vóór gebruik.

Bedien het toestel pas wanneer de messen stevig vastzitten en ondergedompeld zijn in de ingrediënten.

Wees voorzichtig wanneer u een hete vloeistof in de keukenrobot of blender giet, omdat deze uit het apparaat kan spuiten als gevolg van plotselinge stoomvorming. Let op voor spatten wanneer u heet voedsel mixt.

Schakel het apparaat uit en trek de stekker uit het

stopcontact voordat u accessoires vervangt of in de buurt komt van onderdelen die tijdens het gebruik bewegen. Gebruik het toestel niet met een externe timer of een aparte afstandsbediening.

Trek de stekker uit het stopcontact en laat de messen volledig tot stilstand komen voordat u onderdelen verwijdert, schoonmaakt of er onderhoud aan pleegt.

Dompel de motorbasis nooit onder in ingrediënten wanneer het apparaat in gebruik is, en maak ze niet schoon onder stromend water. Bedien het apparaat niet met natte handen.

Let erop oppervlakken die bedoeld zijn om in contact te komen met voedsel schoon te maken! Let op de informatie over het schoonmaken in de instructies.

Blijf dit toestel niet gebruiken wanneer het defect blijkt.

Haier service: Om de blijvende veilige en efficiënte werking van dit toestel te verzekeren, bevelen we aan dat alle herstellingen uitgevoerd worden door een erkende Haier dienstingenieur.

Recept:

Groente/Fruitsap (1 min aan / 1 min uit, maximaal 5 cycli)

Beker: 360 g wortels + 540 g water

Honingbotersaus (5 s aan / 2

min uit, maximaal 3 cycli)
Glazen hakkom: 200 g Boter +
300 g Honing

Biscuitgebak (maximum 10 min)
Beker: 720 g eiwitten

Nota voor het recept

1) Voor elk gebruik mogen de opeenvolgende werkingscyclus of tijd en hoeveelheid voedsel niet meer zijn dan hierboven vermeld. Er moet minimaal 10 minuten rusttijd worden aangehouden, zodat de unit tot kamertemperatuur kan afkoelen voordat de volgende handeling wordt uitgevoerd;
2) Als u de machine tijdens bedrijf wilt stoppen, kunt u op elk gewenst moment de triggerknop ON/OFF loslaten.

Het milieu

Het symbool op dit toestel duidt aan dat dit toestel niet mag behandeld worden als huishoudelijk afval. In de plaats daarvan moet het overhandigd worden aan het geschikte verzamelpunt voor de recyclage van elektrische en elektronische uitrusting. U moet het toestel weggoien in overeenstemming met de lokale voorschriften voor afvalverwerking. Voor meer gedetailleerde informatie over behandeling, herstel en recyclage van dit toestel, gelieve uw lokale gemeentebestuur te contacteren, de dienst voor huishoud- en afvalverwerking of de winkel waar u het toestel kocht.



CE Dit apparaat voldoet aan de Europese Richtlijnen 2014/35/EU, 2014/30/EU en 2011/65/EU.

CANDY HOOVER GROUP S.r.l. Via
Comolli 16, 20861 Brugherio(MB), ITALY

2. Leer je staafmixer kennen

- A. Triggerknop ON/OFF
- B. Centrale gedeelte
- C. Metalen staaf
- D. Beker
- E. Koppelunit van de garde*
- F. Dubbele garde*
- G. Koppelunit van de aardappelstamper*
- H. Aardappelstamper*
- I. Mes van de aardappelstamper*
- J. Antispatkap*
- K. Bovenste mes hakselaar*
- L. As mes hakselaar*
- M. Glazen hakkom*
- N. Spilpen
- O. Antislippad

3. Voor het eerste gebruik

Voordat je het apparaat en de accessoires voor de eerste keer gebruikt, moet je de onderdelen die in contact komen met voedsel grondig reinigen. (Details reiniging, zie hoofdstuk 5)

- Plaats het voedsel in de beker of een soortgelijke houder en houd de beker stabiel.
- Vul de beker niet verder dan de schaalmarkering. Om spatten te voorkomen, plaats je de basis van het mes in het te verwerken voedsel voordat je het apparaat inschakelt. Zorg er altijd voor dat de onderkant van de basis van het mes tijdens het verwerken volledig in de ingrediënten ondergedompeld is.
- Vul de glazen hakkom niet meer dan de helft voor een betere menging.
- Dompel alleen de metalen staaf in het

* Voor enkele modellen.

voedsel, maar duw hem niet verder in dan de metalen delen, anders riskeer je een elektrische schok!

- Steek geen metalen voorwerpen in de glazen kan.
- Mix geen stukjes ingrediënten die groter zijn dan 2x2x2 cm.
- De metalen staafmixerpoot en garde kunnen krassen veroorzaken of vlekken achterlaten op de antiaanbaklaag. Niet gebruiken in kookgerei met antiaanbaklaag.
- Gebruik of plaats geen enkel onderdeel in de magnetron.
- Gebruik de staafmixer niet met zware mengsels om een lange levensduur te garanderen. Als het hoofdgedeelte oververhit raakt, koppel je het apparaat los en laat je het ongeveer 10 minuten afkoelen voordat je het opnieuw gebruikt.
- Het antislippad kan op de bodem van de beker en de glazen hokkom geplaatst worden voor antislip.

4. Je staafmixer gebruiken

Power controle [Afb. 13]

Druk op de AAN/UIT-triggerknop om de gewenste snelheid te selecteren en aan te passen.

Druk lichtjes op de triggerknop voor lage snelheid.

Druk stevig op de triggerknop voor hoge snelheid.

Hij is perfect geschikt voor het bereiden van dipsauzen, sauzen, saladedressings, soepen, babyvoeding, maar ook drankjes, smoothies en milkshakes, en om hard voedsel te mixen, zoals rauw fruit en groenten.

Metalen staaf [Afb. 1]

Monteer de metalen staaf op de hoofdbehuizing door deze tegen de klok in te draaien. Als deze volledig gemonteerd is, hoor je een “klik”.

- Als je het apparaat gebruikt om heet voedsel in een pan of pot te pureren, verwijder dan de pan of pot van de warmtebron en zorg ervoor dat de

vloeistof niet kookt. Laat warme gerechten iets afkoelen om het risico op verhitting te voorkomen.

- Laat de staafmixer niet in een hete pan of pot op de kookplaat staan wanneer deze niet in gebruik is.
- Gebruik de metalen staaf niet langer dan 1 minuut in een periode van 4 minuten.

Dubbele garde* [Afb. 2,3]

1. Steek de gardepoten in het gat van de koppelunit van de garde. Als deze volledig gemonteerd is, hoor je een “klik”.
2. Monteer de koppelunit van de garde op de hoofdbehuizing door deze tegen de klok in te draaien. Als deze volledig gemonteerd is, hoor je een “klik”.
 - Gebruik de garde alleen om room of eiwitten te kloppen, en om biscuitgebak en kant-en-klare desserts voor te bereiden.
 - Om spatten te voorkomen, begin je langzaam en gebruik je het gardeopzetstuk in diepe containers.
 - Gebruik de garde niet langer dan 3 minuut in een periode van 10 minuten.

Aardappelstamper* [Afb. 4,5,6]

Het kan worden gebruikt om gekookte aardappelen te pureren.

1. Monteer de koppelunit van de aardappelstamper op de poot van de aardappelstamper door deze met de klok mee te draaien. Als deze volledig gemonteerd is, hoor je een “klik”.
2. Monteer het mes van de aardappelstamper over de centrale naaf door het met de klok mee te draaien. Als het volledig gemonteerd is, hoor je een “klik”.
3. Monteer de koppelunit van de aardappelstamper op de hoofdbehuizing door het tegen de klok in te draaien tot het op zijn plaats vastklikt.
 - Gebruik de aardappelstamper nooit in een pan op direct vuur.
 - Haal de pan altijd van het vuur en laat even afkoelen.
 - Plaats de pan of kom op een stabiel, vlak oppervlak en ondersteun deze met je vrije hand.
 - Om de beste resultaten te verkrijgen bij het pureren mag je een pan of kom nooit voor

* Voor enkele modellen.

meer dan de helft met voedsel vullen.

- Verwerk niet meer dan één batch zonder pauze.

Gebruik de aardappelstamper niet langer dan 1 minuut in een periode van 5 minuten.

Hakselhulpstuk*

[Afb. 7, 8, 9, 10, 11, 12]

1. Plaats de glazen kan op een schoon, vlak oppervlak en monteer het bovenste mes met de klok mee op de mesas totdat het op zijn plaats klikt.
2. Plaats de mesas op de spilpen over de glazen kan.
3. Snijd het voedsel in stukken van de juiste grootte en plaats het in de glazen kan. Grotere stukken voedsel moeten in stukken van ongeveer 2x2x2 cm worden gesneden.
4. Plaats de antispakop op de glazen kan en druk het op zijn plaats.
5. Monteer het hoofdgedeelte met de klok mee op de antispakop. Wanneer dit volledig gemonteerd is, hoor je een "klik".
6. Aansluiten
7. Druk op de triggerknop om de gewenste pulssnelheid te selecteren.

Wanneer je het hoofdgedeelte bedient, houd je het stevig vast op het hoofdgedeelte en op de glazen kan.

- Druk lichtjes op de triggerknop voor lage snelheid.
- Druk stevig op de triggerknop voor hoge snelheid.
- Als alternatief kan de triggerknop gedurende korte tijd ingedrukt worden om een pulsactie te produceren.
- Dit kan worden gebruikt om oververwerking van voedsel te voorkomen. Bedien de hakselaar totdat het gewenste resultaat bereikt is.
- Draai de triggerknop stevig los om uit te schakelen, verwijder eerst de messen en giet dan het voedsel uit.

Laat het hakselhulpstuk niet langer dan 30 seconden ononderbroken draaien. Laat tussen elke handeling van 30 seconden 1 minuut afkoelen.

Voer de bovenstaande procedure in omgekeerde volgorde uit om het apparaat te demonteren.

* Voor enkele modellen.

5. Reiniging & Onderhoud

OPGELET: Zorg ervoor dat de hoofdbehuizing losgekoppeld is van de netvoeding en dat de messen niet meer draaien voordat je een accessoire bevestigt of verwijdt. Haal alle onderdelen uit elkaar voordat je ze wast.

Dompel het hoofdgedeelte, de koppelunit van de garde, de koppelunit van de aardappelstamper en de antispakop van de hakmolen **NIET** onder in water of een andere vloeistof. Maak ze schoon met een vochtige spons of doek en veeg ze droog. De metalen staaf kan onder stromend water worden afgespoeld. Ga voorzichtig met de messen om; ze zijn extreem scherp.

De volgende onderdelen/ gereedschappen kan je in de vaatwasser doen om ze schoon te maken.

[Afb. 14]

- Beker
- Gardepoot*
- Mes van de Aardappelstamper*
- Bovenste mes*
- Mesas*
- Glazen kan*
- Antislippad

Alle onderdelen moeten volledig worden gereinigd en droog zijn voordat ze worden opgeslagen.

Monteer het apparaat met de messen, hakselhulpstukken en het hoofdgedeelte op hun plaats.

Bewaar het apparaat in de doos of op een schone, droge plaats, buiten het bereik van kinderen.

6. Probleem oplossen

1. De staafmixer begint te vertragen of moeite te doen tijdens de verwerking.

Controleer of de onderkant van de motorkop schoon is en er geen voedsel de aansluiting blokkeert wanneer de containers geplaatst worden of dat er niet te veel voedsel in de container zit.

Als het apparaat oververhit is geraakt, haal dan de stekker uit het stopcontact en wacht ongeveer 10 minuten voordat je het opnieuw gebruikt.

2. Overmatig spatten tijdens verwerking

Selecteer in eerste instantie een lagere snelheid en verhoog deze naarmate het mengsel dikker wordt.

Selecteer een container van het juiste formaat. Plaats de messen in het voedsel voordat je het apparaat inschakelt.

3. Het hoofdgedeelte wordt heet tijdens

gebruik.

Laat het apparaat volledig afkoelen voordat je het opnieuw gebruikt.

7. Technische gegevens

Elektrische verbinding	220-240V-50/60Hz
Vermogen	1000W

8. Belangrijke informatie**Originele reserveonderdelen en toebehoren van Haier**

Gebruik uitsluitend originele reserveonderdelen van Haier.

Deze zijn verkrijgbaar bij uw Haier dealer. Als u onderdelen bestelt, vermeld dan altijd het modelnummer.

KWALITEIT

De fabrieken van Haier zijn op onafhankelijke wijze getest op kwaliteit. Onze producten worden vervaardigd aan de hand van een kwaliteitssysteem dat voldoet aan de vereisten van ISO 9001.

JOUW GARANTIE

De garantievoorwaarden voor dit toestel worden bepaald door onze vertegenwoordiger in het land waar het toestel wordt verkocht. Details omtrent deze voorwaarden zijn verkrijgbaar bij de dealer waar u het toestel hebt gekocht. Wanneer u aanspraak wilt maken op deze garantie, dan moet u het verkoop- of ontvangstbewijs voorleggen.

1. INSTRUÇÕES PARA UMA UTILIZAÇÃO SEGURA

Este aparelho destina-se apenas a utilização doméstica, tal como descrito neste guia do utilizador. Certifique-se de que este manual é totalmente compreendido antes de utilizar o aparelho.

ATENÇÃO Para eliminar o risco de asfixia nas crianças pequenas, elimine todos os materiais da embalagem imediatamente após a remoção do produto.

Este aparelho pode ser utilizado por pessoas com reduzidas capacidades físicas, sensoriais ou mentais, ou ainda com falta de experiência, se supervisionadas durante a utilização ou tiverem recebido instruções relativamente à utilização do aparelho de uma forma segura e compreendam os perigos envolvidos.

As crianças devem ser supervisionadas para garantir que não utilizam ou brincam com o aparelho. Mantenha o aparelho e o seu cabo fora do alcance de crianças.

Este aparelho (com batedor de natas e acessório batedor de ovos) pode ser utilizado por crianças a partir dos 8 anos de idade, desde que tenham supervisão ou recebido instruções sobre a utilização do aparelho de forma segura e compreendam os perigos envolvidos. A limpeza e a manutenção não devem ser feitas por crianças, a menos que tenham mais de 8 anos e sejam supervisionadas. Mantenha o

aparelho e o seu cabo fora do alcance de crianças com menos de 8 anos.

Não puxe nem transporte o aparelho pelo cabo de alimentação. Desligue sempre o aparelho da tomada puxando a ficha em vez do cabo. Não coloque o cabo de alimentação sobre bordas afiadas ou perto de superfícies quentes. Não utilize uma extensão.

Se o cabo de alimentação estiver danificado deixe de utilizar o aparelho imediatamente. Para evitar um perigo para a segurança, deve ser um técnico de assistência Haier a substituir o cabo de alimentação.

Utilize apenas acessórios, consumíveis ou peças sobressalentes recomendadas ou fornecidas pela Haier.

ATENÇÃO Risco de ferimentos! O uso indevido do aparelho pode levar potencialmente a ferimentos.

ATENÇÃO As lâminas de corte são muito afiadas, tenha cuidado ao manusear as lâminas de corte afiadas durante a montagem e desmontagem, esvaziando o jarro e durante a limpeza.

ATENÇÃO Certifique-se de que o aparelho está desligado e parado antes de o retirar do jarro.

Desligue sempre o aparelho da rede elétrica se o deixar sem

vigilância e antes de o montar, desmontar, limpar ou em caso de erro.

Utilize o aparelho apenas de acordo com a especificação de potência na placa de classificação.

Utilize o aparelho apenas numa superfície nivelada e seca e nunca o mova ao trabalhar.

O aparelho destina-se apenas a misturar ou envolver os alimentos com o tamanho e a quantidade recomendados nas instruções. Não deve ser usado para outros fins que não o uso pretendido.

Não use um jarro de vidro logo após ser retirado da máquina de lavar loiça ou do frigorífico. Certifique-se de que permanece à temperatura ambiente durante pelo menos 5 min antes da utilização.

Não coloque o aparelho em funcionamento até que o grupo de lâminas esteja bem fixado e imerso nos ingredientes.

Tenha cuidado se deitar líquido quente no processador de alimentos ou no liquidificador, pois este pode ser expelido para fora do aparelho devido a uma vaporização súbita. Tenha cuidado ao processar alimentos quentes que possam salpicar.

Desligue o aparelho e desconecte a fonte de alimentação antes de trocar acessórios ou aproximar-se de peças que movem-se em uso.

Não utilize o aparelho com um temporizador externo ou um

sistema de controlo remoto separado.

Desconecte da fonte de alimentação e permita que as lâminas de corte parem completamente antes de remover quaisquer peças e antes de limpar ou qualquer manutenção.

Nunca mergulhe a base do motor num ingrediente durante a utilização ou limpe-a com água corrente. Não opere o aparelho com as mãos molhadas.

Preste atenção às superfícies limpas que destinam-se a entrar em contacto com os alimentos! Observe as informações sobre a limpeza nas instruções.

Não continue a utilizar o aparelho se este parecer defeituoso.

Assistência da Haier: Para assegurar o funcionamento seguro e eficiente deste aparelho, recomendamos que todas as intervenções de assistência ou reparação sejam efectuadas apenas por um técnico de assistência autorizado da Haier.

Receita:

Legumes/Sumo de fruta (1 min ligado / 1 min desligado, máximo de 5 ciclos)

Copo: 360 g cenouras + 540 g água

Molho de mel e manteiga (5 s ligado / 2 min desligado,

máximo de 3 ciclos)
 Jarro de vidro do picador: 200 g
 Manteiga + 300 g mel

Pão de Ló (máximo 10 min)
 Copo: 720 g claras de ovo

Nota sobre a receita:

- 1) Para cada utilização, o ciclo de operação consecutivo ou o tempo e a quantidade de alimentos não devem ser superiores ao indicado acima. Devem ser mantidos pelo menos 10 minutos de tempo de descanso para que a unidade arrefeça até à temperatura ambiente antes de executar a próxima operação;
- 2) Se quiser parar a máquina durante a operação, solte o botão de acionamento ON/OFF a qualquer momento.

Ambiente

O símbolo no aparelho indica que este não pode ser tratado como resíduo doméstico. Pelo contrário, deve ser encaminhado para o ponto de recolha aplicável para reciclagem de equipamento elétrico e eletrónico. A eliminação deve ser realizada em conformidade com as leis ambientais locais relativas à eliminação de resíduos. Para obter informações mais detalhadas sobre o tratamento, recuperação e reciclagem deste produto, contacte as autoridades locais, o serviço de eliminação de resíduos domésticos ou a loja onde adquiriu o produto.



Este aparelho está em conformidade com as Diretivas Europeias 2014/35/EU, 2014/30/EU e 2011/65/EU.

CANDY HOOVER GROUP S.r.l. Via
 Comolli 16, 20861 Brugherio(MB), ITALY

2. Conheça a sua varinha mágica

- A. Botão de acionamento ON/OFF
- B. Corpo principal
- C. Pé de metal
- D. Copo
- E. Caixa de engrenagens do batedor*
- F. Batedor duplo*
- G. Caixa de engrenagens do triturador de batatas*
- H. Perna do esmagador de batatas*
- I. Lâmina do triturador de batatas*
- J. Caixa de engrenagens da tampa do cortador*
- K. Lâmina superior do picador*
- L. Eixo da lâmina do picador*
- M. Jarro de vidro do picador*
- N. Pino do eixo
- O. Almofada antideslizante

3. Antes da primeira utilização

Antes de utilizar o aparelho e os acessórios pela primeira vez, limpe minuciosamente os componentes que entram em contacto com os alimentos. (Para obter detalhes sobre a limpeza, consulte o capítulo 5)

- Coloque os alimentos no copo ou num recipiente semelhante e, em seguida, mantenha o copo firme.
- Não encha o copo mais do que a escala de indicação. Para evitar respingos, coloque a base da lâmina nos alimentos a serem processados antes de ligar. Certifique-se sempre de que o fundo da base da lâmina está totalmente submerso nos ingredientes durante o processamento.
- Não encha a tigela de vidro do picador mais do que meia tigela para uma melhor mistura.

* Apenas em alguns modelos.

- Mergulhe apenas a perna de metal na comida, mas não exceda as peças de metal, ou corre o risco de sofrer um choque elétrico!
- Não insira nenhum objeto metálico na jarra de vidro.
- Não misture pedaços de ingredientes com uma dimensão superior a 2x2x2 cm.
- O eixo de mistura de metal e o batedor podem arranhar ou marcar revestimentos antiaderentes. Não utilize em panelas antiaderentes.
- Não use nem insira nenhuma peça no micro-ondas.
- Não use o misturador manual com misturas pesadas para garantir uma vida longa. Se o corpo principal sobreaquecer, desligue o aparelho e deixe-o arrefecer durante aproximadamente 10 minutos antes de voltar a utilizar.
- A almofada antiderrapante pode ser colocada na parte inferior do copo e do jarro de vidro do picador para não derrapar.

4. Utilize o seu misturador manual

Controlo de potência [Fig. 13]

Prima o botão ON/OFF para selecionar e ajustar a velocidade necessária.

Pressione o botão de acionamento levemente para obter uma velocidade baixa. Pressione firmemente o botão de acionamento para obter uma velocidade alta.

É perfeitamente adequado para preparar molhos, molhos para saladas, sopas, alimentos para bebés, bem como bebidas, smoothies e batidos, também adequados para misturar alimentos duros, por exemplo, frutas e vegetais crus.

Pé de metal [Fig. 1]

Ao encaixar a perna de metal no corpo principal, rodando no sentido anti-horário, que está totalmente montado, ouve um som de “clique”.

- Se utilizar o aparelho para puré quente numa panela ou frigideira, retire a panela ou frigideira da fonte de calor e certifique-se de que o líquido não

está a ferver. Deixe os alimentos quentes arrefecerem ligeiramente para evitar o risco de queimaduras.

- Não deixe o liquidificador manual assentar numa panela ou frigideira quente no fogão quando não estiver em uso.
- Não use a perna de metal por mais de 1 minuto em qualquer período de 4 minutos.

Batedor duplo* [Fig. 2,3]

1. Ao inserir as pernas da batedeira no orifício da caixa de velocidades da batedeira, que está totalmente montada, ouve um clique.
2. Ao encaixar a caixa de velocidades do batedor no corpo principal, rodando no sentido anti-horário, que está totalmente montado, ouve um som de “clique”.
 - Use o batedor apenas para chantilly, bater claras de ovos, fazer pão-de-ló e sobremesas prontas
 - Para evitar respingos, comece devagar e use o batedor em recipientes profundos.
 - Não use o batedor por mais de 3 minutos em qualquer período de 10 minutos.

Triturador de batatas* [Fig. 4,5,6]

Pode ser usado para triturar batatas cozidas.

1. Coloque a caixa de engrenagens do esmagador de batatas na perna do esmagador de batatas girando no sentido horário, que está totalmente montado e ouve um som de “clique”.
2. Coloque a lâmina do esmagador de batatas sobre o cubo central e gire no sentido horário para localizar qual está totalmente montado e ouve um som de “clique”.
3. Encaixe a caixa de engrenagens do triturador de batatas no corpo principal girando no sentido anti-horário até encaixar.
 - Nunca use o triturador de batatas numa panela em fogo direto.
 - Retire sempre a panela do fogo e deixe arrefecer ligeiramente.
 - Coloque a panela ou tigela numa superfície estável e plana e apoie-a com a mão livre.
 - Para obter melhores resultados ao esmagar, nunca encha uma panela ou tigela com mais da metade dos alimentos.
 - Não processar mais de um lote sem interrupção.

* Apenas em alguns modelos.

Não use o triturador de batatas por mais de 1 minuto em qualquer período de 5 minutos.

Fixação do picador*

[Fig. 7,8,9,10,11,12]

1. Coloque a jarra de vidro numa superfície limpa e nivelada, monte a lâmina superior no sentido horário no veio da lâmina até travar no lugar.
2. Coloque o conjunto do eixo da lâmina no pino do mandril sobre o jarro de vidro.
3. Corte os alimentos em pedaços de tamanho adequado e coloque na jarra de vidro. Pedaços maiores de alimentos devem ser cortados em pedaços de aproximadamente 2x2x2.
4. Encaixe a caixa de engrenagens da tampa sobre a jarra de vidro e pressione para travar no lugar.
5. Encaixe o corpo principal no sentido horário na caixa de engrenagens da tampa, que está totalmente montada e ouve um clique.
6. Conectar
7. Prima o botão do acionamento para selecionar a velocidade de impulso pretendida.

Ao operar o corpo principal, segure-o firmemente nele e na jarra de vidro.

- Pressione o botão de acionamento levemente para obter uma velocidade baixa.
- Pressione firmemente o botão de acionamento para obter uma velocidade alta.
- Alternativamente, o botão de acionamento pode ser pressionado para baixo por curtos períodos de tempo para produzir uma ação pulsante.
- Tal pode ser usado para evitar o processamento excessivo de alimentos. Opere o picador até que o resultado desejado seja alcançado.
- Solte o botão de acionamento com firmeza para desligar, retire as lâminas primeiro e, em seguida, despeje os alimentos.

Não execute o acessório do picador continuamente por mais de 30 segundos. Deixe arrefecer durante 1 minuto entre cada operação de 30 segundos.

Inverta o procedimento acima para desmontar a unidade.

* Apenas em alguns modelos.

5. Limpeza e manutenção

ATENÇÃO: Certifique-se de que o corpo principal está desconectado da fonte de alimentação principal e que as lâminas pararam de girar antes de fixar ou remover qualquer acessório. Desmonte todas as partes antes da lavagem.

NÃO mergulhe o corpo principal, a caixa de engrenagens do batedor, a caixa de engrenagens do triturador de batatas e a caixa de engrenagens da tampa do cortador em água ou qualquer outro líquido, limpe com uma esponja ou pano húmido e seque.

A perna de metal pode ser enxaguada com água corrente.

Manuseie as lâminas com cuidado pois são extremamente afiadas.

As seguintes peças/ferramentas podem ser colocadas na máquina de lavar loiça para a sua limpeza.

[Fig. 14]

- Copo
- Pé do batedor*
- Lâmina do triturador de batatas*
- Lâmina superior*
- Eixo da lâmina*
- Jarro de vidro*
- Almofada antideslizante

Todas as peças deverão ser completamente limpas e secas antes de serem armazenadas. Monte o aparelho com as lâminas, os acessórios do cortador e o corpo principal na sua posição. Guarde o aparelho na caixa ou num local limpo e seco, bem fora do alcance das crianças.

6. Resolução de Problemas

1. O liquidificador manual começa a desacelerar ou trabalhar durante o processamento.

Verifique se a parte inferior da cabeça do motor está limpa e se não há conexão de bloqueio de alimentos ao colocar em recipientes ou se há muita comida no recipiente.

Se a unidade sobreaqueceu, desligue e aguarde aproximadamente 10 minutos antes de voltar a utilizar.

2. Salpicos excessivos durante o processamento

Selecione uma velocidade mais baixa inicialmente e aumente à medida que a mistura engrossa.

Selecione um recipiente de tamanho adequado.
Coloque as lâminas nos alimentos antes de ligar.

3. O corpo principal aquece durante o funcionamento.

Espere até que a unidade arrefeça completamente antes de voltar a ser utilizada.

7. Dados técnicos

Conexão elétrica	220-240V-50/60Hz
Potência	1000W

8. Informações Importantes

Peças sobressalentes e Consumíveis Haier

Substitua sempre as peças por peças sobressalentes Haier genuínas.

Pode obtê-las junto do seu representante local ou diretamente na Haier. Quando encomendar peças, mencione sempre o número do seu modelo.

QUALIDADE

A qualidade das instalações industriais da Haier foi avaliada de forma independente. Os nossos produtos são fabricados de acordo com um sistema de qualidade que satisfaz os requisitos da norma ISO 9001.

A SUA GARANTIA

As condições de garantia para este aparelho são as definidas pelo nosso representante no país onde foi vendido. Pode obter detalhes sobre estas condições junto do agente a quem adquiriu o aparelho. A fatura de venda ou o recibo deverão ser entregues quando apresentar uma reclamação ao abrigo dos termos da garantia.

1. INSTRUCCIONES PARA UN USO SEGURO

Este aparato está destinado exclusivamente al uso doméstico tal y como se describe en esta guía de usuario. Asegúrese de haber comprendido todo el contenido de este manual antes de poner en funcionamiento el aparato.

ADVERTENCIA Para eliminar el riesgo de asfixia de los niños pequeños, deseche todo el material de embalaje inmediatamente después de retirar el producto.

El aparato puede ser usado por personas con capacidades físicas, sensoriales o mentales reducidas o falta de experiencia con supervisión o con una explicación previa de las instrucciones con respecto al uso del aparato y comprendiendo los riesgos implicados.

Se supervisará a los niños para asegurarse de que no utilizan el aparato ni juegan con él. Mantenga el aparato y su cable fuera del alcance de los niños. Este aparato (con accesorio para montar nata, batidor de huevos) puede ser usado por niños a partir de 8 años si han recibido supervisión o una explicación previa de las instrucciones con respecto al uso del aparato y comprendiendo los riesgos implicados. La limpieza y el mantenimiento del usuario no deben ser realizados por niños a menos que sean mayores de

8 años y estén supervisados. Mantenga el aparato y su cable fuera del alcance de los niños menores de 8 años.

No tire del aparato ni lo lleve asíndolo por el cable de alimentación. Desenchufe siempre el aparato de la toma tirando del enchufe y no del cable. No coloque el cable de alimentación sobre bordes afilados ni cerca de superficies calientes. No utilice alargadores.

Si el cable de alimentación está dañado, deje de utilizar el aparato inmediatamente. Para evitar peligros de seguridad, solo un técnico autorizado del servicio Haier debe reemplazar el cable de alimentación.

Utilice únicamente accesorios, componentes consumibles o repuestos recomendados o distribuidos por Haier.

ADVERTENCIA ¡Riesgo de daños! Un uso incorrecto del aparato puede provocar lesiones.

PRECAUCIÓN Las cuchillas de corte están muy afiladas, tenga cuidado al manipularlas durante el montaje y desmontaje, al vaciar la jarra y durante la limpieza.

PRECAUCIÓN Asegúrese de que el aparato esté apagado y deje de funcionar antes de su extracción de la jarra. Desconecte siempre el aparato de la red eléctrica si

se deja sin vigilancia y antes de montarlo, desmontarlo o limpiarlo, o en caso de avería. Utilice el aparato solo de acuerdo con la potencia especificada en la placa de características.

Utilice el aparato únicamente sobre una superficie seca y nivelada y no lo mueva nunca mientras trabaja.

El aparato está destinado exclusivamente a mezclar, batir o mezclar alimentos con el tamaño y la cantidad recomendados en las instrucciones. No debe utilizarse para un uso distinto del previsto.

No utilice una jarra de cristal justo después de sacarla del lavavajillas o del frigorífico.

Asegúrese de que permanece a temperatura ambiente durante al menos 5 minutos antes de su uso.

No ponga en funcionamiento el aparato hasta que la unidad de cuchillas esté bien sujeta y sumergida bajo los ingredientes.

Tenga cuidado si vierte líquido caliente en el procesador, ya que puede salir despedido fuera del aparato debido a un vapor repentino. Tenga cuidado al procesar alimentos calientes que puedan salpicar.

Apague el aparato y desconéctelo de la red eléctrica antes de cambiar los accesorios o acercarse a las piezas que se mueven con el uso.

No haga funcionar el aparato

mediante un temporizador externo o un sistema de mando a distancia independiente. Desconecte la máquina de la red eléctrica y deje que las cuchillas de corte se detengan por completo antes de desmontar cualquier pieza y antes de proceder a su limpieza o a cualquier operación de mantenimiento. No sumerja nunca la base del motor en ingrediente mientras esté en uso ni la limpie bajo el grifo. No utilice el aparato con las manos mojadas.

Preste atención a la limpieza de las superficies destinadas a entrar en contacto con los alimentos. Tenga en cuenta la información sobre limpieza que figura en las instrucciones.

No siga utilizando el aparato si parece tener algún defecto.

Servicio Técnico Oficial de Haier: Para garantizar el funcionamiento seguro y eficaz del aparato, recomendamos que las tareas de mantenimiento y reparación sean realizadas exclusivamente por profesionales autorizados del Servicio Técnico de Haier.

Receta:

Verduras/Zumo de frutas
(1 min encendido / 1 min apagado, máximo 5 ciclos)
Vaso: 360 g zanahorias + 540 g agua

Salsa de mantequilla y miel (5 s encendido / 2 min apagado,

máximo 3 ciclos)
 Jarra de cristal de la picadora:
 200 g Mantequilla + 300 g miel

Biscochos (máximo 10 min)
 Vaso: 720 g claras de huevo

Nota sobre la receta:

1) Para cada uso, el ciclo o tiempo de funcionamiento consecutivo y la cantidad de alimentos no deben ser superiores a los indicados anteriormente. Debe mantenerse un tiempo de reposo de al menos 10 minutos para que la unidad se enfríe a temperatura ambiente antes de realizar la siguiente operación.
 2) Si desea detener la máquina durante su funcionamiento, suelte el botón de activación ON/OFF en cualquier momento.

El Medio Ambiente:

El símbolo que puede verse en el producto indica que este no puede tratarse como residuos domésticos. En su lugar, se debe entregar en un punto de recogida de electrodomésticos para el reciclaje de equipos eléctricos y electrónicos. La eliminación debe llevarse a cabo según los reglamentos medioambientales locales sobre eliminación de residuos. Para más información sobre el tratamiento, la recuperación y el reciclaje de este aparato, póngase en contacto con su Ayuntamiento, el servicio de recogida de residuos domésticos o con el establecimiento donde haya comprado el producto.



Este electrodoméstico cumple con las Directivas Europeas 2014/35/UE, 2014/30/UE y 2011/65/UE.

CANDY HOOVER GROUP S.r.l. Via
 Comolli 16, 20861 Brugherio(MB), ITALY

2. Conozca su batidora de mano

- A. Botón gatillo ON/OFF
- B. Cuerpo principal
- C. Pata metálica
- D. Vaso
- E. Caja de cambios de las varillas*
- F. Doble varillas*
- G. Caja de cambios del pasapurés*
- H. Pata del pasapurés*
- I. Cuchilla del pasapurés*
- J. Caja de cambios de la cubierta de la picadora*
- K. Cuchilla superior de la picadora*
- L. Eje de la cuchilla de la picadora*
- M. Jarra de cristal de la picadora*
- N. Pasador del husillo
- O. Almohadilla antideslizante

3. Antes del primer uso

Antes de utilizar el aparato y los accesorios por primera vez, limpie a fondo las piezas que entran en contacto con los alimentos. (Para más detalles sobre la limpieza, consulte el capítulo 5)

- Coloque los alimentos en el vaso o en un recipiente similar y manténgalo firme.
- No llene el vaso por encima de la escala de indicación. Para evitar salpicaduras, coloque la base de la cuchilla en el alimento que vaya a procesar antes de encenderla. Asegúrese siempre de que la parte inferior de la base de la cuchilla esté completamente sumergida en los ingredientes mientras los procesa.
- No llene el bol de cristal de la picadora más de la mitad para mezclar mejor.
- Sumerja solo la pata metálica en la comida, pero sin sobrepasar las partes metálicas, ¡o

* Sólo algunos modelos.

corre el riesgo de sufrir una descarga eléctrica!

- No introducir ningún objeto metálico en la jarra de cristal.
- No mezcle trozos de ingredientes mayores de 2x2x2 cm.
- El eje mezclador y el batidor metálicos pueden rayar o marcar los revestimientos antiadherentes. No utilizar en utensilios de cocina antiadherentes.
- No utilizar ni introducir ninguna pieza en el microondas.
- No utilizar la batidora de mano con mezclas pesadas para garantizar una larga vida útil. Si el cuerpo principal se sobrecalienta, desenchufe el aparato y deje que se enfríe durante unos 10 minutos antes de volver a utilizarlo.
- Se puede colocar una almohadilla antideslizante en la base del vaso y de la jarra de cristal de la picadora para que no resbalen.

4. Uso de la batidora de mano

Control de Potencia [Fig. 13]

Pulse el botón gatillo ON/OFF para seleccionar y ajustar la velocidad deseada.

Pulse ligeramente el botón gatillo para obtener una velocidad baja.

Pulse el botón gatillo con firmeza para obtener una velocidad alta.

Es perfectamente adecuada para preparar dips, salsas, aliños para ensaladas, sopas, alimentos para bebés, así como bebidas, batidos y smoothies, también es adecuado para mezclar alimentos duros, por ejemplo, frutas y verduras crudas.

Pata metálica [Fig. 1]

Encaje la pata metálica en el cuerpo principal girándola en el sentido contrario a las agujas del reloj, cuando esté totalmente ensamblada oírás un “clic”.

- Si utiliza el aparato para hacer puré con alimentos calientes en una cacerola u olla, retire la cacerola u olla de la fuente de calor y asegúrese de que el líquido no esté hirviendo. Deje que los

alimentos calientes se enfríen ligeramente para evitar el riesgo de quemaduras.

- No deje la batidora de mano en una sartén u olla caliente sobre la placa de cocción cuando no la utilice.
- No utilice la pata metálica durante más de 1 minuto durante un periodo de 4 minutos.

Doble varillas* [Fig. 2,3]

1. Introduzca las varillas en el orificio de la caja de engranajes de la batidora, cuando esté completamente montada oírás un “clic”.
 2. Monte las varillas en el cuerpo principal girando en sentido contrario a las agujas del reloj, cuando esté completamente montada oírás un “clic”.
- Utilice las varillas solo para montar nata, batir claras de huevo, hacer bizcochos y postres premezclados
 - Para evitar salpicaduras, empiece despacio y utilice el accesorio batidor en recipientes hondos.
 - No utilice el batidor durante más de 3 minutos durante un periodo de 10 minutos.

Pasapurés* [Fig. 4,5,6]

Puede utilizarse para hacer puré de patatas cocidas.

1. Monte la caja de engranajes del pasapurés en la pata del pasapurés girando en el sentido de las agujas del reloj, cuando esté completamente montada oírás un “clic”.
 2. Coloque la cuchilla del pasapurés sobre el eje central y gírela en el sentido de las agujas del reloj para localizar que está totalmente ensamblado, oírás un “clic”.
 3. Encaje la caja de engranajes del pasapurés en el cuerpo principal girándola en sentido contrario a las agujas del reloj hasta que encaje en su sitio.
- Nunca utilice el pasapurés en una cacerola a fuego directo.
 - Retire siempre el cazo del fuego y deje que se enfríe un poco.
 - Coloque la cacerola o el cuenco sobre una superficie estable y plana, y sostenga con la mano libre.
 - Para obtener los mejores resultados al triturar, nunca llene una cacerola o un cuenco con más de la mitad de comida.
 - No procese más de un lote sin interrupción.

* Sólo algunos modelos.

No utilice el pasapurés durante más de 1 minuto durante cada periodo de 5 minutos.

Accesorio picador* [Fig. 7,8,9,10,11,12]

1. Coloque la jarra de cristal sobre una superficie limpia y plana, monte la cuchilla superior en el eje de la cuchilla en el sentido de las agujas del reloj hasta que encaje en su sitio.
2. Encaje el conjunto del eje de la cuchilla en el pasador del husillo sobre la jarra de cristal.
3. Corte los alimentos en trozos del tamaño adecuado y colóquelos en la jarra de cristal. Las piezas de comida más grandes deben cortarse en trozos de aproximadamente 2x2x2.
4. Coloque la caja de engranajes de la tapa en la jarra de cristal y presione para que encaje en su sitio.
5. Encaje el cuerpo principal en el sentido de las agujas del reloj en la caja de engranajes de la cubierta que está completamente montada oirá un “clic”.
6. Enchufe
7. Pulse el botón gatillo para seleccionar la velocidad de pulso deseada.

Cuando accione el cuerpo principal, sujételo firmemente a él y a la jarra de cristal.

- Pulse ligeramente el botón gatillo para obtener una velocidad baja.
- Pulse el botón gatillo con firmeza para obtener una velocidad alta.
- Alternativamente, puede pulsar el botón gatillo durante breves periodos de tiempo para producir una acción intermitente.
- Esto puede servir para evitar el procesamiento excesivo de los alimentos. Accione la picadora hasta obtener el resultado deseado.
- Afloje firmemente el botón del gatillo para apagarlo, saque primero las cuchillas y, a continuación, vierta los alimentos.

No haga funcionar el accesorio picador de forma continua durante más de 30 segundos. Deje enfriar durante 1 minuto entre cada operación de 30 segundos.

Invierta el procedimiento anterior para desmontar la unidad.

* Sólo algunos modelos.

5. Limpieza y Mantenimiento

PRECAUCIÓN: Asegúrese de que el cuerpo principal esté desenchufado de la red eléctrica y de que las cuchillas hayan dejado de girar antes de colocar o retirar cualquier accesorio.

Desmonte todas las piezas antes de lavarlas.

NO sumergir el cuerpo principal, la caja de engranajes de las varillas, la caja de engranajes del pasapurés ni la caja de engranajes de la tapa de la picadora en agua o cualquier otro líquido, limpiar con una esponja o paño húmedo y secarlos.

La pata metálica puede enjuagarse con agua corriente.

Manipular las cuchillas con cuidado, ya que están muy afiladas.

Las siguientes piezas/herramientas puede meterlas en el lavavajillas para limpiarlas. [Fig. 14]

- Vaso
- Pata batidora*
- Cuchilla del pasapurés*
- Cuchilla superior*
- Eje de la cuchilla*
- Jarra de cristal*
- Almohadilla antideslizante

Todas las piezas deben estar completamente limpias y secas antes de almacenarse.

Monte el aparato con las cuchillas, los accesorios de la picadora y el cuerpo principal en su posición.

Guarde el aparato en su caja o en un lugar limpio y seco, fuera del alcance de los niños.

6. Localización de fallos

1. La batidora de mano empieza a ir más lenta o a costarle el proceso.

Compruebe que la parte inferior del cabezal del motor está limpia y que no hay alimentos que bloqueen la conexión al colocarlo sobre los recipientes o demasiados alimentos en el recipiente.

Si el aparato se ha sobrecalentado, desenchúfelo y espere unos 10 minutos antes de volver a utilizarlo.

2. Salpicaduras excesivas durante el procesamiento

Seleccione una velocidad más baja al principio y

auméntela a medida que la mezcla se espese. Seleccione un recipiente del tamaño adecuado. Introduzca las cuchillas en la comida antes de encender.

3. El cuerpo principal se calienta durante el funcionamiento.

Deje que la unidad se enfríe completamente antes de volver a utilizarla.

7. Datos técnicos

Conexión eléctrica	220-240V-50/60Hz
Potencia	1000W

8. Información importante

Piezas de repuesto y consumibles de Haier

Utilice siempre piezas de repuesto originales de Haier o directamente de Haier.

Puede adquirirlas a través de los distribuidores de Haier o directamente de Haier. Cuando realice pedidos de piezas, indique siempre el número de serie del producto.

CALIDAD

Las fábricas de Haier han sido sometidas a inspecciones de calidad independientes. Nuestros productos se fabrican de conformidad con un sistema de calidad que cumple los requisitos de la norma ISO 9001.

SU GARANTÍA

Las condiciones de garantía para este aparato vienen definidas por nuestro representante en el país de venta. Puede obtener los detalles acerca de estas condiciones en el establecimiento donde haya comprado este aparato. Debe mostrarse la factura de compra o el tíquet al hacer alguna reclamación en virtud de las condiciones de garantía.

1. INSTRUKTIONER FOR SIKKER ANVENDELSE

Dette apparat er kun beregnet til husholdningsbrug, som beskrevet i denne brugervejledning. Du bør sikre dig, at du har forstået indholdet af denne brugervejledning fuldt ud, inden apparatet tages i brug.

ADVARSEL For at forhindre kvælningsfare for små børn skal alt emballagemateriale kasseres umiddelbart efter at produktet er fjernet.

Dette apparat kan anvendes af personer med nedsatte fysiske, sensoriske eller mentale evner eller manglende erfaring og viden, hvis de er under opsyn eller vejledning i at bruge apparatet på en sikker måde og forstår de risici, der er involveret.

Børn skal være under opsyn for at sikre, at de ikke bruger eller leger med apparatet. Hold apparatet og dets ledning utilgængeligt for børn.

Dette apparat (med tilbehør til piskefløde og æg) kan bruges af børn fra 8 år og ældre, hvis de er blevet vist hvordan det bruges, eller hvis de har modtaget instruktioner angående brugen af apparatet på en sikker måde, og hvis de forstår de farer som kan opstå. Rengøring og brugervedligeholdelse må ikke

udføres af børn, medmindre de er ældre end 8 år og er under opsyn. Hold apparatet og dets ledning utilgængeligt for børn under 8 år.

Træk eller bær ikke apparatet i strømledningen. Tag altid stikket ud af stikkontakten ved at trække i stikket i stedet for i ledningen. Placer ikke strømledningen over skarpe kanter eller i nærheden af varme overflader. Brug ikke en forlængerledning.

Hvis netledningen er ødelagt, skal du stoppe med at bruge støvsugeren øjeblikkeligt. For at undgå en sikkerhedsrisiko, skal en autoriseret Haier servicetekniker udskifte strømkablet.

Anvend kun tilbehør, udstyr og reservedele leveret af Haier.

ADVARSEL Risiko for personskade! Forkert brug af apparatet kan potentielt føre til personskade.

ADVARSEL Skæreblade er meget skarpe. Vær forsigtig, når du håndterer de skarpe skæreblade under montering og adskillelse, tømning af kanden og under rengøring.

ADVARSEL Sørg for, at apparatet er slukket og ikke kører, før du fjerner det fra

kanden.

Frakobl altid apparatet fra forsyningen hvis det efterlades uden opsyn, samt før montering, demontering, rengøring eller i tilfælde af en fejl.

Brug kun apparatet i overensstemmelse med strømspecifikationen på typeskiltet.

Brug kun apparatet på et tørt og plant underlag og flyt det aldrig, mens det er i gang. Apparatet er kun beregnet til at blende eller blande fødevarer med anbefalet størrelse og mængde i instruktionerne. Det må ikke bruges til andet end den tilsigtede brug.

Brug ikke en glaskande, der lige er taget ud af opvaskemaskinen eller køleskabet. Sørg for, at den forbliver ved stuetemperatur i mindst 5 minutter før brug. Du må ikke bruge apparatet før bladenheden er fastgjort korrekt, og dækket af ingredienserne.

Vær forsigtig hvis der hældes varm væske ned i køkkenmaskinen eller blenderen, eftersom det kan kastes ud af apparatet på grund af pludselige dampe. Vær forsigtig når du håndterer varm mad, eftersom det kan sprøjte. Sluk for apparatet, og afbryd

strømforsyningen, før du skifter tilbehør eller nærmer dig dele, der bevæger sig under brug.

Betjen ikke apparatet ved hjælp af en ekstern timer eller separat fjernbetjeningsystem. Afbryd strømforsyningen og lad skærebladene stoppe helt, før du fjerner dele og før rengøring eller vedligeholdelse.

Nedsænk aldrig motorbasen i ingredienser mens den er i brug, eller rengør den under rindende vand. Betjen ikke apparatet med våde hænder. Vær opmærksom på rene overflader, der er beregnet til at komme i kontakt med fødevarer! Bemærk venligst oplysningerne om rengøring i vejledningen.

Lad være med at fortsætte at bruge støvsugeren, hvis den ser ud til at være defekt.

Haier service: For at sikre løbende sikker og effektiv drift af dette apparat anbefaler vi, at eftersyn eller reparationer udelukkende udføres af en autoriseret Haier-servicetekniker.

Opskrift:

Grøntsager/Frugtjuice (1 min. tændt / 1 min. slukket, maksimum 5 cyklusser)

Bæger: 360 g gulerødder + 540 g vand

Smørsauce med honning (5 sek. tændt / 2 min. slukket, maksimum 3 cyklusser)
 Glaskande til snitter: 200 g
 Smør + 300 g Honning

Sandkager (maksimum 10 min.)
 Bæger: 720 g æggevider

Notat på opskrift:

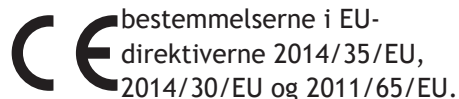
1) For hver brug må en kontinuerlig betjeningscyklus eller tid, og fødevarermængde ikke være mere end hvad der er angivet ovenfor. Minimum 10 minutters hviletid skal overholdes, så enheden kan køle ned til rumtemperatur før den næste cyklus;
 2) Hvis du ønsker at stoppe enheden under brugen, kan du på ethvert tidspunkt slippe ON/OFF-knappen.

Miljøet

Symbolet på produktet angiver, at produktet ikke må behandles som husholdningsaffald. Det skal i stedet afleveres til en relevant affaldsstation for genbrug af elektrisk og elektronisk udstyr. Bortskaffelse skal ske i overensstemmelse med de lokale miljøregler vedrørende bortskaffelse af affald. For mere detaljeret information om behandling, genopretning og genbrug af dette produkt, henvend dig da til den lokale kommune, til dit affaldsselskab eller den forretning, hvor du købte produktet.



Dette apparat overholder



bestemmelserne i EU-direktiverne 2014/35/EU, 2014/30/EU og 2011/65/EU.

CANDY HOOVER GROUP S.r.l. Via
 Comolli 16, 20861 Brugherio(MB), ITALY

2. Lær din håndblender at kende

- A. Tænd/sluk-udløserknop
- B. Hovedkrop
- C. Metalskaft
- D. Bæger
- E. Gearboks med piskeris*
- F. Dobbelt piskeris*
- G. Gearboks med kartoffelmoser*
- H. Kartoffelmoserskaft*
- I. Kniv til kartoffelmoser*
- J. Gearboks med snittedæksel*
- K. Øverste snitterkniv*
- L. Aksel til snitterkniv*
- M. Glaskande til snitter*
- N. Spindelap
- O. Glidsikker måtte

3. Før første brug

Før du bruger maskinen og tilbehøret for den første gang, skal du omhyggeligt rengøre de dele som kommer i kontakt med fødevarer. (For oplysninger om rengøring henvises der til kapitel 5)

- Placér fødevarerne i et bæger eller lignende beholder, og sørg for at holde bægeret stille.
- Fyld ikke bægeret over indikationslinjen. For at undgå stænk, skal knivbasen placeres i de fødevarer der skal bearbejdes, før blenderen tændes. Sørg altid for, at bunden af knivbasen er helt nedsunken i ingredienserne under bearbejdningen.
- Fyld ikke snitterens glaskande mere end halvejs, for at garantere en bedre blanding.

* Kun til visse modeller.

- Nedsænk kun metalskaftet i fødevarerne, men berør ikke metaldelene, da du ellers risikerer elektrisk stød!
- Indsæt ikke metalobjekter i glaskanden.
- Bland ikke ingredienser som er større end 2x2x2 cm.
- Metalskaftet og piskeriset kan ridse eller give mærker på slip-let-belægninger. Brug ikke i slip-let-kogegrej.
- Må ikke bruges i mikroovn, og dele må ikke placeres i mikroovn.
- Brug ikke håndblenderen i tunge blandinger for at garantere en lang holdbarhed. Hvis hovedkroppen overopheder, skal du tage stikket ud og lade blenderen køle ned i omkring 10 minutter, før den bruges igen.
- Slip-let-puder kan placeres på bunden af bægeret og snitterens glaskande for at garantere at de ikke glider.

4. Brug af håndblenderen

Effektkontrol [Fig. 13]

Tryk på tænd/sluk-udløserknappen for at vælge og justere den påkrævede hastighed. Tryk let på udløserknappen for at opnå lav hastighed. Tryk fast på udløserknappen for at opnå høj hastighed.

Den er perfekt til at tilberede dips, saucer, salatdressinger, supper, babymad samt drikkevarer, smoothies og milkshakes, samt blanding af hårde fødevarer som f.eks. rå frugt og grøntsager.

Metalskaft [Fig. 1]

Placér metalskaftet i hovedkroppen ved at dreje det mod uret. Når du hører en "klik" lyd er enheden fuldt samlet.

- Hvis blenderen bruges til at pure varme fødevarer i en kasserolle eller gryde, skal du fjerne kasserollen eller

gryden fra varmekilden, og sørge for, at væsken ikke koger. Lad varm mad køle en smule for at undgå faren for skoldning.

- Efterlad ikke håndblenderen i en varm kasserolle eller gryde på komfuret når den ikke bruges.
- Brug ikke metalskaftet i mere end 1 minut i enhver periode på 4 minutter.

Dobbelt piskeris* [Fig. 2,3]

1. Indsæt piskeskafterne i hullet på gearboksen med piskeris, som er fuldt ud samlet når du hører en "klik" lyd.
 2. Placér gearboksen med piskeris i hovedkroppen ved at dreje det mod uret. Når du hører en "klik" lyd er enheden fuldt samlet.
- Brug kun piskeriset til at piske fløde, æggehvider, sandkager og ready-mix desserter.
 - For at forhindre stænk skal du starte langsomt, og bruge piskeriset i dybe beholdere.
 - Brug ikke piskeriset i mere end 3 minut i enhver periode på 10 minutter.

Kartoffelmoser* [Fig. 4,5,6]

Den kan bruges til at mose kogte kartofler.

1. Placér gearboksen med kartoffelmoseren til kartoffelmoserskaftet ved at dreje det mod uret. Når du hører en "klik" lyd er enheden fuldt samlet.
 2. Placér kniven til kartoffelmoseren over midtarnavnet og drej det mod uret. Når du hører en "klik" lyd er enheden fuldt samlet.
 3. Placér gearboksen med kartoffelmoseren i hovedkroppen ved at dreje det mod uret. Når du hører en "klik" lyd er enheden fuldt samlet.
- Brug aldrig kartoffelmoseren i en kasserolle over direkte varme.
 - Fjern altid kasserollen fra varmen, og lad den køle en smule.
 - Placér kasserollen eller skålen på en plan,

* Kun til visse modeller.

stabil overflade, og støt med din ledige hånd.

- For at opnå det bedste resultat når du moser, bør du aldrig fylde kasserollen eller skålen mere end halvvejs.
- Bearbejd ikke mere end et parti uden afbrydelse.

Brug ikke kartoffelmoseren i mere end 1 minut i enhver periode på 5 minutter.

Snitteredskab*

[Fig. 7,8,9,10,11,12]

1. Placér glaskanden på en ren, plan overflade, samt den øverste kniv mod urets retning på knivskaftet, indtil det låser på plads.
2. Montér knivskaftenheden på spindeltappen over glaskanden.
3. Skær fødevarerne i passende størrelser og placér i glaskanden. Større fødevarer bør skæres i stykker på omkring 2x2x2 cm.
4. Placér dækslet på gearboksen på glaskanden og tryk ned indtil det fastlåser.
5. Indsæt hovedkroppen i gearboksens dæksel, som er fuldt ud samlet når du hører en ”klik” lyd.
6. Tilslut strømmen
7. Tryk ned på udløserknappen til du har den ønskede pulshastighed.

Når du bruger hovedkroppen skal du holde godt fast på den og på glaskanden.

- Tryk let på udløserknappen for at opnå lav hastighed.
- Tryk fast på udløserknappen for at opnå høj hastighed.
- Som et alternativ kan udløserknappen trykkes i mindre tidsperioder, for at skabe en pulserende vibration.
- Dette kan bruges for at undgå at overbearbejde fødevarerne. Brug snitteren indtil det ønskede resultat er nået.
- Slip udløserknappen for at slukke for blenderen, fjern knivene først, og hæld derefter maden ud.

Brug ikke snitteredskabet kontinuerligt i mere end 30 sekunder. Lad det køle i 1 minut for hver 30 sekunders brug.

For at skille apparatet ad, bruges ovennævnte procedure i omvendt rækkefølge.

5. Rengøring & vedligeholdelse

ADVARSEL: Sørg for, at hovedkroppen er frakoblet strømforsyningen, og at knivene er stoppet med at dreje før du fastgører eller fjerner nogen redskaber.

Adskil alle dele før de vaskes.

DU MÅ IKKE nedsænke hovedkroppen, gearboks med piskeris, gearboks med kartoffelmoser og gearboks med snittedæksel i vand eller andre væsker, rengør med en fugtig svamp eller klud og aftør.

Metalskaftet kan renses under løbende vand.

Håndtér knivene med forsigtighed da de er særdeles skarpe.

Følgende dele/redskaber kan rengøres i opvaskemaskinen.

[Fig. 14]

- Bæger
- Piskeris
- Kniv til kartoffelmoser*
- Øverste kniv*
- Knivskaft*
- Glaskande*
- Glidsikker måtte

Alle dele skal omhyggeligt rengøres og tørres før de opbevares.

Saml apparatet med knive, snitteredskaber og hovedkroppen i dens position.

Opbevar apparatet i boksen eller et tørt, rent sted uden for børns rækkevidde.

6. Fejlfinding

1. Håndblenderen bliver langsom under bearbejdning.

Tjek at bunden af motorhovedet er ren, og at der ikke er fødevarer som blokerer forbindelsen når den placeres på beholdere, samt at der ikke er for mange fødevarer i beholderen.

Hvis apparatet er overophedet, skal du fjerne stikket fra stikkontakten og vente i omkring 10 minutter før blenderen bruges igen.

2. Overdreven stænk under bearbejdning

Vælg en lavere hastighed til at starte med, og øg hastigheden idet blandingen bliver tykkere. Vælg en beholder af passende størrelse. Placér knivene i fødevarerne før blenderen tændes.

3. Hovedkroppen bliver varm under brug.

Lad apparatet køle helt ned før det bruges igen.

* Kun til visse modeller.

7. Tekniske data

Elektrisk tilslutning	220-240V-50/60Hz
Strøm	1000W

8. Vigtige oplysninger

Haier Reservedele og Forbrugsstoffer

Udskift altid dele med ægte Haier reservedele. Disse fås fra Haiers reservedelsforhandler. Når du bestiller dele, skal du altid opgive modelnummer.

Kvalitet

Haiers fabrikker er blevet vurderet uafhængigt for kvalitet. Vores produkter fremstilles med brug af et kvalitetssystem, der opfylder kravene i henhold til ISO 9001.

Din garanti

Garantibetingelserne for dette apparat er som defineret af vores repræsentant i det land, hvor det er solgt. Oplysninger vedrørende disse betingelser kan indhentes hos den forhandler, apparatet er købt hos. Kvitteringen skal fremvises i forbindelse med ethvert krav under disse garantibetingelser.

1. INSTRUKSJONER FOR SIKKER BRUK

This appliance is intended for domestic use only as described in this user guide. Sørg for at denne veiledningene er forstått fullstendig før du bruker apparatet.

ADVARSEL For å unngå kvelningsfare for små barn, kast all emballasje umiddelbart etter at du har fjernet produktet. Dette apparatet kan benyttes av personer som har reduserte fysiske, sensoriske og mentale evner eller mangel på erfaring og kunnskap, hvis de har fått tilsyn eller instruksjon vedrørende trygg bruk av apparatet og de forstår risikoen som er involvert. Barn må holdes under tilsyn for å forsikre at de ikke bruker eller leker med apparatet. Oppbevar apparatet og ledningen utilgjengelig for barn. Dette apparatet (med kremvisper og eggepiskere) kan brukes av barn fra 8 års alder og oppover dersom de har fått veiledning og opplæring angående bruk av apparatet på en trygg måte, og dersom de forstår de involverte farene. Rengjøring og brukervedlikehold skal ikke utføres av barn med

mindre de er eldre enn 8 år og under tilsyn. Oppbevar apparatet og ledningen utilgjengelig for barn under 8 år.

Ikke trekk i eller bær apparatet etter strømledningen. Trekk alltid apparatet ut av stikkkontakten ved å trekke i støpselet i stedet for i ledningen. Ikke plasser strømledningen over skarpe kanter eller i nærheten av varme overflater. Ikke bruk skjøteledning.

Bruken av apparatet må opphøre umiddelbart dersom strømledningen er skadet.

Unngå sikkerhetsfarer ved å la en autorisert Haier-tekniker skifte ut strømledningen.

Bruk kun tilbehør, forbruksvarer eller reservedeler som anbefales eller leveres av Haier.

ADVARSEL Fare for skade! Feil bruk av apparatet kan potensielt føre til skade.

ADVARSEL Skjæreknivene er veldig skarpe. Vær forsiktig når du håndterer de skarpe skjærebladene under montering og demontering, tømning av kannen og under rengjøring.

ADVARSEL Se til at apparatet er slått av og stanset før det

fjernes fra karet.

Alltid koble fra apparatet fra strømmen dersom det etterlates uten oppsyn, samt før montering, demontering, rengjøring eller i tilfelle feil. Bruk kun apparatet i samsvar med strømspesifikasjonene på typeskiltet.

Bruk apparatet kun på en tørr, jevn overflate og flytt den aldri under drift.

Apparatet er kun beregnet på å blande eller mikse mat med anbefalt størrelse og mengde i instruksjonene.

Den må ikke brukes til annet enn tiltenkt bruk.

Ikke bruk en glasskanne rett etter at den er tatt ut av oppvaskmaskin eller kjøleskap. Pass på at den holder seg i romtemperatur i minst fem minutter før bruk. Ikke betjen apparatet før kutteenheten er trygt festet og nedsenket i ingrediensene.

Vær forsiktig når varm væske helles i kjøkkenmaskinen/mikseren. Den kan kastes ut igjen av apparatet på grunn av plutselig damping. Pass på ved tilberedning av varm mat som kan splæsje.

Slå av apparatet og koble fra strømmen før du bytter tilbehør eller nærmer deg bevegende deler under bruk. Apparatet skal ikke brukes ved hjelp av en ekstern

tidtaker eller et separat fjernkontrollsystem.

Koble fra strømmen og la skjærebladene stoppe helt før du fjerner deler og før rengjøring eller vedlikehold. Aldri dykk motordelen i ingrediensene ved bruk eller rengjør den under rennende vann. Ikke bruk apparatet med våte hender.

Vær oppmerksom på rene overflater som er beregnet på å komme i kontakt med mat! Vær oppmerksom på informasjonen om rengjøring i instruksjonene.

All bruk av apparatet må opphøre hvis det viser tegn på feilfunksjon.

Haier-service: For å sikre at apparatet fortsetter å fungerer på en trygg og effektiv måte, anbefaler vi at service- og reparasjonsarbeid kun utføres av autoriserte Haier-teknikere.

Oppskrift:

Grønnsak/Fruktjuice (1 min på / 1 min av, maks 5 sykluser)

Beger: 360 g gulrøtter + 540 g vann

Honningsaus (5 s på / 2 min av, maks 3 sykluser)

Kutterens glassbeholder: 200 g Smør + 300 g Honning

Sukkerbrød (maks 10 min)

Beger: 720 g eggehviter

Merknad til oppskriften:

1) For hver gang må ikke sammenhengende driftssyklus eller tid og matvaremengde overskride det som er angitt ovenfor. La enheten hvile i minst 10 minutter og kjøles ned til romtemperatur før den tas i bruk igjen.

2) Du kan når som helst stoppe maskinen mens den i funksjon ved å slippe ut PÅ/AV- utløserknappen.

Miljøet

Symbolet på dette apparatet indikerer at det ikke kan betraktes som husholdningsavfall. Ved avhending må apparatet overleveres til en egnet miljøstasjon for resirkulering av elektrisk og elektronisk utstyr. Avhendingen må gjennomføres i samsvar med lokale miljøforskrifter for avfallshåndtering. Du kan få mer detaljert informasjon om avfallsbehandling, gjenvinning og resirkulering av dette apparatet ved å ta kontakt med vårt nærmeste lokalkontor, renovasjonsetaten eller forretningen du kjøpte apparatet hos.



Dette apparatet er i overensstemmelse med EU-direktivene 2014/35/EU, 2014/30/EU og 2011/65/EU.

CANDY HOOVER GROUP S.r.l. Via Comolli 16, 20861 Brugherio(MB), ITALY

2. Bli kjent med stavmikseren

- A. PÅ/AV utløserknapp
- B. Hoveddelen
- C. Metallfot
- D. Beger
- E. Motorenhet til visp*
- F. Dobbel visp*
- G. Motorenhet til potetstapper*
- H. Potetstapperfot*
- I. Knivblad til potetstapper*
- J. Motorenhet til kutterdeksel*
- K. Kutterens øverste knivblad*
- L. Kutterens knivbladskaft*
- M. Kutterens glassbeholder*
- N. Dreiestift
- O. Sklisikker ring

3. Før første gangs bruk

Rengjør delene som kommer i kontakt med mat grundig før du bruker apparatet og tilbehøret for første gang. (Rengjøringsinformasjon står i avsnitt 5.)

- Legg maten oppi begeret eller i en lignende beholder, og hold begeret stødig.
- Ikke fyll begeret over angitt nivå. For å unngå sprut, sett knivbladets base ned i maten før du slår på. Pass alltid på at bunnen til knivbladets base er senket helt ned i ingrediensene under bruk.
- Ikke fyll kutterens glassbolle mer en halvfullt for en bedre blanding.
- Metallfoten må kun senkes ned i maten

* Bare for visse modeller.

uten å overstige metalldelene, ellers er det fare for elektrisk støt!

- Ikke sett metallgjenstander ned i glassbeholderen.
- Ikke bland biter av ingredienser som er større enn 2x2x2 cm.
- Blandeskafet og vispen av metall kan ripe eller merke non-stick-belegg. Ikke bruk i non-stick gryter.
- Ikke bruk eller legg deler i mikrobølgeovn.
- For å garantere lang levetid må ikke stavmikseren brukes til tunge blandinger. Hvis hoveddelen overopphetes, koble stavmikseren fra strømmen og la den avkjøles i ca. 10 minutter før du bruker den igjen.
- Den sklisikre ringen kan settes under begeret og kutterens glassbeholder for å unngå at disse sklir.

4. Bruke stavmikseren

Styrkekontroll [Fig. 13]

Trykk på PÅ/AV utløserknappen for å velge og justere ønsket hastighet.

Trykk lett på utløserknappen for lav hastighet.

Trykk fast på utløserknappen for høy hastighet.

Den egner seg utmerket for tilberedning av dipper, sauser, salatdressinger, supper, barnemat, drikker, smoothies og milkshakes, og er også egnet til å blande hard mat, f.eks. rå frukt og grønnsaker.

Metallfot [Fig. 1]

Sett metallfoten inn i hoveddelen ved å dreie den mot urviseren, helt til du hører et "klikk".

- Hvis stavmikseren skal brukes til å mose varm mat i en kjele eller gryte, ta kasserollen eller gryten vekk fra varmen og pass på at væsken ikke

koker. Varm mat må avkjøles litt for å unngå fare for skålding.

- Ikke la stavmikseren stå i en varm gryte eller kjele på platetoppen når den ikke er i bruk.
- Ikke bruk metallfoten i mer enn 1 minutt i løpet av en 4-minutters periode.

Dobbel visp* [Fig. 2,3]

1. Sett vispefoten inn i hullet på vispens motorenhet, helt til du hører et "klikk".
 2. Sett vispens motorenhet inn i hoveddelen ved å dreie den mot urviseren, helt til du hører et "klikk".
- Bruk kun vispen til å piske krem, eggehviter, lage sukkerbrød og ferdigblandede desserter
 - For å unngå sprut, start med lav hastighet og bruk vispen i dype beholdere.
 - Ikke bruk vispen i mer enn 3 minutter i løpet av en 10-minutters periode.

Potetstapper* [Fig. 4,5,6]

Kan brukes til å mose kokte poteter.

1. Sett potetstapperens motorenhet inn i potetstapperfoten ved å dreie den med urviseren, helt til du hører et "klikk".
 2. Fest potetstapperens knivblad i den midtre delen og dreie det med urviseren, helt til du hører et "klikk".
 3. Sett potetstapperens motorenhet inn i hoveddelen ved å dreie den mot urviseren, helt til den festes på plass.
- Aldri bruk potetstapperen i en kjele over direkte varme.
 - Ta alltid kjelen vekk fra varmen og la den kjøles ned litt.
 - Sett kjelen eller skålen på et stødig og flatt underlag, og hold fast med den andre hånden.
 - For best resultat ved mosing må ikke kjelen eller skålen fylles mer enn halvfullt.
 - Ikke bland mer enn én porsjon om gangen uten avbrudd.

Ikke bruk potetstapperen i mer enn 1 minutt i løpet av en 5-minutters periode.

* Bare for visse modeller.

Utstyr til kutter*

[Fig. 7,8,9,10,11,12]

1. Sett glassbeholderen på et rent og flatt underlag, og monter det øverste knivbladet med urviseren på bladskaftet, helt til det låses på plass.
2. Sett bladskaftet inn på dreiestiften i glassbeholderen.
3. Del opp maten i passe store biter og legg dem i glassbeholderen. Større matbiter bør kuttes i biter på ca 2x2x2 cm.
4. Legg dekslets motorenhhet på glassbeholderen og trykk det på plass.
5. Sett hoveddelen inn på dekslets motorenhhet ved å dreie den med urviseren, helt til du hører et "klikk".
6. Sett inn støpslet
7. Trykk ned utløserknappen for å velge ønsket pulshastighet.

Når hoveddelen er i funksjon, må du holde godt fast i denne og i glassbeholderen.

- Trykk lett på utløserknappen for lav hastighet.
- Trykk fast på utløserknappen for høy hastighet.
- Alternativt kan utløserknappen trykkes ned i korte perioder for korte støt.
- Den kan brukes for å unngå overbearbeiding av mat. Bruk kutteren til ønsket resultat er oppnådd.
- Slipp ut utløserknappen for å slå av. Ta først ut knivbladene og tøm deretter ut maten.

Ikke bruk kutterens utstyr uavbrutt i mer enn 30 sekunder. Kjøøl det ned i 1 minutt etter at det er brukt i 30 sekunder.

Gå frem i omvendt rekkefølge for å demontere enheten.

5. Rengjøring og vedlikehold

ADVARSEL: Pass på at hoveddelen er koblet fra strømmen og at knivbladene har stoppet før du fester eller fjerner tilbehør.

Demonter alle delene før de rengjøres.

IKKE senk hoveddelen, vispens motorenhhet, potetstapperens motorenhhet og kutterdekslets motorenhhet ned i vann eller andre væsker, men rengjør dem med en fuktig svamp eller klut, og tork.

Metallfoten kan skylles under rennende vann.

Håndter knivbladene forsiktig, fordi de er veldig skarpe.

Delene/redskapene nedenfor kan vaskes i oppvaskmaskin.

[Fig. 14]

- Beger
- Vispefot*
- Knivblad til potetstapper*
- Øverste knivblad*
- Bladskaft*
- Glassbeholder*
- Sklisikker ring

Alle delene må rengjøres skikkelig og tørkes før de settes vekk.

Monter stavmikseren med knivbladene, kutterens tilbehør og hoveddel i posisjon. Oppbevar stavmikseren i en eske, eller på et rent og tørt sted utenfor barns rekkevidde.

6. Feilsøking

1. Stavmikseren begynner å gå sakte eller fungerer dårlig.

Kontroller at bunnen til motorhodet er ren, at ingen matrester blokkerer tilkoblingen når den settes på beholdere, eller at det ikke er for mye mat i beholderen.

Hvis enheten er overopphetet, ta ut støpslet og vent i ca. 10 minutter før du bruker den igjen.

2. For mye sprut under bruk

Velg en lavere hastigheten i starten og øk etterhvert som blandingen tykner.

Velg en beholder i egnet størrelse. Sett knivbladene ned i maten før du slår på.

3. Hoveddelen blir varm under bruk.

La enheten kjøles ned før den brukes igjen.

* Bare for visse modeller.

7. Tekniske data

Elektrisk tilkobling	220-240V-50/60Hz
Strøm	1000W

8. Viktige Opplysninger

Reservedeler og tilbehør fra Haier

Bruk alltid originale deler fra Haier. Disse er tilgjengelige fra din lokale Haier-forhandler eller direkte fra Haier. Når du bestiller deler, må du alltid oppgi modellnummeret ditt.

Kvalitet

Haiers fabrikker har blitt uavhengig kvalitetsvurdert. Våre produkter produseres ved å bruke et kvalitetssystem som er i samsvar med ISO 9001.

DIN GARANTI

Garantibetingelsene for dette apparatet er som definert av vår representant i det landet der det ble solgt. Detaljer vedrørende disse betingelsene fås fra forhandleren der apparatet ble kjøpt. Salgskvitteringen må fremvises ved fremsetning av krav under betingelsene i denne garantien.

1. INSTRUKTIONER FÖR SÄKER ANVÄNDNING

Denna apparat är endast avsedd för hushållsbruk, enligt beskrivningen i denna bruksanvisning. Se till att du läst och förstått anvisningarna noga innan du börjar att använda maskinen.

VARNING För att undvika kvävningrisk för små barn, kasta allt förpackningsmaterial omedelbart efter att produkten tagits bort.

Den här apparaten kan användas av personer med nedsatta fysiska, sensoriska eller mentala förmågor eller utan erfarenhet och kunskap om det sker under övervakning, eller om de får tillräckliga instruktioner om apparaten på ett säkert sätt och förstår riskerna.

Barn ska hållas under uppsikt för att säkerställa att de inte använder eller leker med apparaten. Håll apparaten och dess nätsladd utom räckhåll för barn.

Denna apparat (med grädd- och äggvispar) kan användas av barn över 8 år förutsatt att de övervakas eller har fått instruktioner om hur apparaten används på ett säkert sätt och förstår riskerna. Rengöring och användarunderhåll får inte utföras av barn om de inte är äldre än 8 år och övervakas.

Håll apparaten och dess nätsladd utom räckhåll för barn under 8 år.

Dra eller bär inte apparaten i nätsladden. Dra alltid ur apparaten från eluttaget genom att dra i kontakten i stället för i sladden.

Placera inte nätsladden över vassa kanter eller nära varma ytor. Använd inte en förlängningsladd.

Om nätsladden är skadad, sluta då omedelbart att använda produkten. För att undvika säkerhetsrisker, måste en auktoriserad servicetekniker från Haier byta nätsladden.

Använd endast tillbehör, förbrukningsvaror och reservdelar som rekommenderas eller levereras av Haier.

VARNING Risk för skada! Missbruk av apparaten kan potentiellt leda till skador.

VARNING Skärbladen är mycket vassa. Var försiktig när du hanterar de vassa skärbladen under montering och demontering, när du tömmer kannan, samt vid rengöring.

VARNING Säkerställ att apparaten är avstängd och stillastående innan kannan tas bort.

Koppla alltid bort apparaten från elnätet när den lämnas öövervakad och innan den monteras, demonteras, rengörs eller vid händelse av ett fel.

Använd endast apparaten i enlighet med effektspecifikationen på typskylten.

Apparaten får endast användas på en torr och plan yta, och får aldrig flyttas när den är igång.

Apparaten är endast avsedd för att mixa och blanda livsmedel av den storlek och i den mängd som rekommenderas i instruktionerna. Den får inte användas utöver avsedd användning.

Använd inte en glaskanna som precis tagits ut från diskmaskinen eller kylskåpet. Se till att den förvaras i rumstemperatur i minst fem minuter innan den används. Starta inte apparaten innan enheten med skärblad är säkert fäst och nedsänkt i ingredienserna.

Var försiktig om varm vätska hålls i matberedaren eller mixern eftersom den kan stänka ut ur apparaten på grund av ångan. Var försiktig vid hantering av varm mat som kan stänka.

Stäng av apparaten och koppla bort den från elnätet

innan du byter tillbehör eller närmar dig de delar som är i rörelse när den används. Använd inte apparaten med hjälp av en extern timer eller separat fjärrkontrollsystem. Koppla ur apparaten från elnätet och vänta tills skärbladen stannat helt innan du plockar isär delar från den, rengör den, eller genomför underhåll på den. Sänk aldrig ned motorbasen i ingredienserna när apparaten används eller rengörs under rinnande vatten. Använd inte apparaten med blöta händer. Var uppmärksam på att rengöra ytor som är avsedda att komma i kontakt med mat! Observera informationen om rengöring i instruktionerna.

Avsluta använda apparaten om den verkar defekt.

Haier service: För att säkerställa en fortsatt säker och effektiv drift av denna apparat rekommenderar vi att service eller reparationer endast utförs av en auktoriserad servicetekniker från Haier.

Recept:

Grönsak/Fruktjuice (1 min på/1 min av, maximum 5 cykler)

Bälgare: 360 g morötter + 540 g vatten

Honungsmörsås (5 s på/2 min av, maximum 3 cykler)
Hackskål i glas: 200 g Smör + 300 g Honung

Sockerkaka (maximum 10 min)

Bägare: 720 g äggvitor

Observation på receptet:

- 1) För varje användning bör den på varandra följande arbetscykeln eller tiden och kvantiteten mat inte vara mer än vad som anges ovan. Minst 10 minuters vilotid måste upprätthållas så att enheten svalnar till rumstemperatur innan nästa operation utförs;
- 2) Om du vill stoppa maskinen under drift, släpp PÅ/AV-knappen när som helst.

Miljön

Symbolen på apparaten indikerar att denna produkt inte får behandlas som hushållsavfall. Den måste i stället lämnas in på uppsamlingsplats för återvinning av elektrisk och elektronisk utrustning. Avfallshanteringen ska utföras enligt de lokala miljöbestämmelserna. För mer information om hantering, återvinning och återanvändning av denna produkt, kontakta din kommun, lokala myndigheter och renhållningsverk eller den butik där du köpte apparaten.



Denna apparat uppfyller de europeiska direktiven 2014/35/EU, 2014/30/EU och 2011/65/EU.

CANDY HOOVER GROUP S.r.l. Via Comolli 16, 20861 Brugherio(MB), ITALY

2. Lära känna din handmixer

- A. PÅ/AV-knapp
- B. Huvudkropp
- C. Metallarm
- D. Bägare
- E. Vispfäste*
- F. Dubbla vispar*
- G. Fäste för potatisstöt*
- H. Arm till potatisstöt*
- I. Blad till potatisstöt*
- J. Fäste för hackare*
- K. Övre hackarblad*
- L. Skaft till hackare*
- M. Hackskål i glas*
- N. Spindelstift
- O. Halkfri dyna

3. Innan första användningen

Rengör noga delarna som kommer i kontakt med maten innan du använder apparaten och tillbehören för första gången. (Se kapitel 5 för rengöringsinformation)

- Placera maten i bägaren eller en liknande behållare och håll den sedan stadigt.
- Fyll inte bägaren över indikationsskalan. Placera bladbasen i maten som ska bearbetas innan du slår på för att undvika att det skvätter. Se alltid till att botten på bladbasen är helt nedsänkt i ingredienserna under bearbetning.
- Fyll inte hackglasskålen mer än till hälften för bästa mixning.

* Endast vissa modeller.

- Sänk bara ned metallarmen i maten och inte övriga metalldelar, annars riskerar du elektrisk chock!.
- För inte in något metallföremål i glasskålen.
- Mixa inte bitar av ingredienser som är större än 2x2x2 cm.
- Metallmixerskaftet och vispen kan repa eller skrapa nonstick-beläggningar. Använd inte i kärl med nonstick-beläggning.
- Använd inte någon del i mikrovågsugnen.
- Använd inte handmixern med tungbearbetade blandningar för att säkerställa lång livslängd. Om huvuddelen överhettas drar du ur kontakten till apparaten och låter den svalna i ungefär 10 minuter innan du använder den igen.
- En halkfri dyna kan placeras under bågaren och glasskålen så att den inte glider.

4. Använda din handmixer

Effektkontroll [Fig. 13]

Tryck på PÅ/AV-knappen för att välja och justera önskad hastighet.

Tryck lätt på knappen för låg hastighet.

Tryck bestämt på knappen för hög hastighet.

Den passar perfekt för att göra dipp, såser, salladsdressingar, soppor, barnmat, samt drinkar, smoothies och milkshakes, passar även för att mixa hårda livsmedel, t.ex. råa frukter och grönsaker.

Metallarm [Fig. 1]

Montera metallarmen på huvuddelen genom att vrida i motsols riktning. Den är helt monterad när du hör ett klickljud.

- Om du använder apparaten för att puréa varm mat i en kastrull eller gryta tar du bort kastrullen eller

grytan från värmekällan och ser till att vätskan inte kokar. Låt varm mat svalna något för att undvika risken för skållning.

- Låt inte handmixern vara kvar i en het kastrull eller gryta på spisen när den inte används.
- Använd inte metallarmen längre än 1 minut inom en 4-minutersperiod.

Dubbla vispar* [Fig. 2,3]

1. Sätt i visparmarna i hålet på vispfastet som är helt monterat när du hör ett klickljud.
 2. Montera vispfastet på huvuddelen genom att vrida i motsols riktning. Den är helt monterad när du hör ett klickljud.
- Använd vispen enbart för att vispa grädde, äggvitor, göra sockerkakor och färdigblandade desserter.
 - Förhindra spill genom att starta långsamt och använd visptillbehöret i djupa behållare.
 - Använd inte vispen i mer än 3 minuter under en 10 minuters period.

Potatisstöt* [Fig. 4,5,6]

Den kan användas för att mosa kokt potatis.

1. Montera fästet till potatisstöten på potatisstötsarmen genom att vrida i motsols riktning. Den är helt monterad när du hör ett klickljud.
 2. Montera bladet till potatisstöten på den centrala delen och vrid i medsols riktning. Den är helt monterad när du hör ett klickljud.
 3. Montera fästet till potatisstöten på huvuddelen genom att vrida i motsols riktning tills den låses på plats.
- Använd aldrig potatisstöten i en kastrull över direkt värme.
 - Ta alltid bort kastrullen från värmen och låt den svalna något.
 - Placera kastrullen eller skålen på en stabil, platt yta och stöd den med din lediga hand.
 - Fyll aldrig en kastrull eller skål mer än halvfull med mat för bästa resultat när du mosar.

* Endast vissa modeller.

- Bearbeta inte mer än en omgång utan avbrott.

Använd inte potatisstöten i mer än 1 minut under en 5-minutersperiod.

Hacktillbehör*

[Fig. 7,8,9,10,11,12]

1. Placera glasskålen på en ren, platt yta, montera det övre bladet medsols på bladskafvet tills det låses på plats.
2. Montera bladskafvet på spindelfästet över glasskålen.
3. Skär maten i lämpliga bitar och placera i glasskålen. Större bitar av mat ska skäras i bitar på ungefär 2 x 2 x 2 cm.
4. Montera fästet på glasskålen och tryck för att låsa på plats.
5. Montera huvuddelen medsols på fästet som är helt monterat när du hör ett klickljud.
6. Koppla in
7. Tryck ned knappen för att välja önskad pulshastighet.

När du använder huvuddelen håller du den bestämt i den och glasskålen.

- Tryck lätt på knappen för låg hastighet.
- Tryck bestämt på knappen för hög hastighet.
- Alternativt kan strömknappen tryckas ned under korta stunder för att skapa en pulserande effekt.
- Det kan användas för att undvika att överbearbeta mat. Använd hackaren tills önskat resultat är uppnått.
- Släpp upp knappen helt för att stänga av, ta ut bladen först och håll sedan ut maten.

Kör inte hacktillbehöret kontinuerligt i mer än 30 sekunder. Låt svalna i 1 minut mellan varje 30 sekunders användning.

Montera isär enheten i omvänd ordning från ovanstående.

5. Rengöring och underhåll

WARNING: Se till att huvuddelen är frånkopplad från eluttaget och att bladen är stilla innan du monterar eller tar bort något tillbehör.

Montera isär alla delar före disk.

Sänk INTE ned huvuddelen, vispfastet, potatisstötfastet och hackfastet i vatten eller någon annan vätska, rengör med en fuktig svamp eller trasa och torka torrt.

Metallarmen kan sköljas under rinnande vatten.

Hantera bladen försiktigt, de är extremt vassa.

Följande delar/verktyg kan du diska i diskmaskinen.

[Fig. 14]

- Bägare
- Vispskaft*
- Blad till potatisstöt*
- Övre blad*
- Visparm*
- Glaskanna*
- Halkfri dyna

Alla delar måste diskas helt och torka innan de förvaras.

Montera apparaten med bladen, hacktillbehör och huvuddel på plats.

Förvara apparaten i lådan eller på en ren, torr plats utom räckhåll för barn.

6. Felsökning

1. Handmixern börjar bli långsam eller jobbar hårt under användning.

Kontrollera att botten på motorhuvudet är rent och att det inte finns någon mat som blockerar anslutningen eller att det är för mycket mat i behållaren.

Om enheten har överhettats kopplar du ifrån den och väntar ungefär 10 minuter innan du använder den igen.

2. Omfattande stänk under användning

Välj en lägre hastighet till att börja med och öka allteftersom blandningen tjocknar. Välj en behållare i lämplig storlek. Placera bladen i maten innan du slår på.

3. Huvuddelen blir varm under användning.

Låt enheten svalna helt innan du använder den igen.

* Endast vissa modeller.

7. Tekniska data

Elektrisk anslutning	220-240V-50/60Hz
Ström	1000W

8. Viktigt

Haier Reservdelar och Förbrukningsvaror

Använd alltid originaldelar från Haier vid byte.

Du kan beställa delar från närmaste Haier-återförsäljare eller direkt från Haier. Uppge alltid modellnummer när du beställer delar.

Kvalité

Haiers fabriker har kvalitetsbedömts av oberoende organisationer. Våra produkter tillverkas enligt ett kvalitetssystem som uppfyller kraven för ISO 9001.

DIN GARANTI

Garantivillkoren för produkten definieras av vår representant i det land där produkten säljs. Du kan få uppgifter om aktuella villkor från återförsäljaren. Kvittot måste visas upp när man kräver ersättning enligt garantin.

1. OHJEET TURVALLISTA KÄYTTÖÄ VARTEN

Tämä laite on tarkoitettu vain käyttöohjeen mukaiseen kotitalouskäyttöön. Tutustu tähän käyttöoppaaseen huolellisesti ennen laitteen käyttöä.

VAROITUS Jotta estät pienten lasten tukehtumisvaaran, hävitä kaikki pakkausmateriaalit välittömästi pakkauksen avaamisen jälkeen. Tätä laitetta voivat käyttää lapset tai henkilöt, joiden ruumiillinen, aistimis- tai henkinen kyvykkyys on heikentynyt vain silloin kun heitä valvotaan tai he ovat saaneet tietoja laitteen turvallisesta käytöstä, ja he ymmärtävät mahdolliset vaarat.

Lapsia on valvottava laitteen lähellä, ja estettävä sillä leikkiminen. Pidä laite ja sen johto lasten ulottumattomissa.

Tätä laitetta (kermavaahdottimilla, munanvatkaimien lisävarusteella) voivat käyttää yli 8-vuotiaat lapset, jos heitä on valvotaan tai on opastettu laitteen turvalliseen käyttöön ja vain mikäli he ymmärtävät laitteen käyttöön liittyvät vaarat. Alle 8-vuotiaat lapset eivät

saa puhdistaa tai huoltaa laitetta, ellei aikuinen valvo heitä. Pidä laite ja sen johto alle 8-vuotiaiden ulottumattomissa. Älä vedä tai kanno laitetta virtajohtosta. Irrota laite aina pistorasiasta vetämällä pistokkeesta, ei johdosta. Älä aseta virtajohtoa terävien reunojen päälle tai lähelle kuumia pintoja. Älä käytä jatkojohtoa. Lopeta laitteen käyttö välittömästi, mikäli virtajohto on vahingoittunut. Turvallisuusriskin välttämiseksi valtuutetun Haier huoltajan tulee vaihtaa virtajohto. Käytä ainoastaan Haierin toimittamia tai suosittelemia lisä- ja varaosia.

VAROITUS
Loukkaantumisvaara!
Laitteen väärinkäyttö voi johtaa loukkaantumiseen.

VAROITUKSIA Leikkausterät ovat erittäin teräviä. Ole varovainen käsitellessäsi teräviä leikkausteriä kokoamisen ja purkamisen sekä kannun tyhjentämisen ja puhdistamisen aikana.

VAROITUKSIA Varmista, että laite on sammutettu ennen kuin poistat kannun. Irrota laite aina virtalähteestä, mikäli se

jätetään ilman valvontaa, sekä ennen sen kokoamista, purkamista, puhdistamista tai virheen sattuessa.

Käytä laitetta vain tyyppikilvessä olevien tehotietojen mukaisesti.

Käytä laitetta vain kuivalla ja tasaisella pinnalla äläkä koskaan liikuta sitä, kun se on käynnissä.

Laite on tarkoitettu vain ohjeiden mukaisten elintarvikkeiden

sekoittamiseen (huomioi koko ja määrä). Laitetta ei saa käyttää mihinkään muuhun tarkoitukseen.

Odotu hetki ennen lasikannun käyttöä kun se on otettu pois tiskikoneesta tai jääkaapista. Varmista, että kannu on huoneenlämmössä vähintään 5 minuutin ajan ennen käyttöä.

Älä käynnistä laitetta, ennen kuin terä on kunnolla kiinni ja ruoka-aineet kannussa.

Ole varovainen kun kaadat monitoimikoneeseen tai tehosekoittimeen kuumaa nestettä, sillä kuuma höyry voi poistua laitteesta äkillisesti ja olla polttavaa. Ole varovainen käsitellessäsi kuumaa ruokaa, sillä se voi roiskua laitteesta.

Kytke laite pois päältä ja irrota virtalähteestä ennen kuin vaihdat lisävarusteita tai kosket liikkuviin osiin.

Älä käytä laitetta ulkoisen ajastimen tai erillisen etäohjausjärjestelmän avulla.

Kytke laite irti virransyötöstä ja anna leikkausterien pysähtyä täysin ennen kuin poistat mitään osia, puhdistat tai huollat laitetta.

Älä koskaan upota moottorin alustaa ainesosiin käytön aikana tai puhdistu sitä juoksevan veden alla. Älä käytä laitetta märillä käsillä.

Muista puhdistaa ne pinnat, jotka joutuvat kosketuksiin elintarvikkeiden kanssa!

Noudata puhdistusohjeita.

Älä käytä laitetta, jos se vaikuttaa vialliselta.

Haier-huolto: Laitteen käyttöturvallisuuden ja tehokkaan toiminnan varmistamiseksi huolto ja korjaukset kannattaa antaa valtuutetun Haier-huoltajan tehtäväksi.

Resepti:

Kasvis/Hedelmämehu (1 min päällä / 1 min pois päältä - enintään 5 sykliä)

Kannu: 360 g porkkanat + 540 g vesi

Hunaja-voikastike (5 s päällä / 2 min pois päältä - enintään 3 sykliä)

Silppurin lasikannu: 200 g Voi + 300 g Hunaja

Sokerikakut (enintään 10 min)
Kannu: 720 g kananmunan valkuasia

Huomautus reseptissä:

1) Kullakin käyttökerralla jatkuvan käytön syklin tai -ajan ja ainesmäärän ei tulisi ylittää yllä mainittua.

On pidettävä vähintään 10 minuutin lepoaika, jotta yksikkö voi jäähtyä huoneenlämpöiseksi ennen seuraavan toimintasyklin suorittamista.

2) Jos haluat pysäyttää koneen sen ollessa käynnissä, vapauta vain ON/OFF-painike.

Ympäristö

Tässä laitteessa oleva symboli osoittaa, että laitetta ei saa hävittää kotitalousjätteenä.



Se täytyy luovuttaa sähkö- ja elektroniikkalaitteiden keräyspisteeseen kierrätystä varten. Hävittäminen on suoritettava paikallisten jätteiden hävittämistä koskevien ympäristösäännösten mukaisesti. Saat lisätietoja tämän laitteen käsittelemisestä, hyötykäytöstä ja kierrätyksestä paikallisilta viranomaisilta, kotitalouksien ja muiden jätteiden jätehuollosta tai liikkeestä, josta ostit laitteen.

CE Tämä laite on EU:n direktiivien 2014/35/EU, 2014/30/EU ja 2011/65/EU mukainen.

CANDY HOOVER GROUP S.r.l. Via Comolli 16, 20861 Brugherio(MB), ITALY

2. Sauvasekoittimeen tutustuminen

- A. PÄÄLLÄ/POIS PÄÄLTÄ-painike
- B. Päärunko
- C. Metallivarsi
- D. Kannu
- E. Vatkaimeen vaihteisto*
- F. Kaksoisvatkain*
- G. Perunansurvimen vaihteisto*
- H. Perunansurvimen varsi*
- I. Perunansurvimen terä*
- J. Silppurin vaihteistokansi*
- K. Silppurin yläterä*
- L. Silppurin terän akseli*
- M. Silppurin lasikannu*
- N. Karatappi
- O. Liukumaton alusta

3. Ennen ensimmäistä käyttökertaa

Ennen ensimmäistä käyttökertaa, puhdista ruoan kanssa kosketuksiin tulevat osat huolellisesti. (Lisätietoja puhdistuksesta on kappaleessa 5.)

- Laita ruoka kannuun tai muuhun vastaavaan astiaan ja pidä paikoillaan tasaisella alustalla.
- Älä täytä kannua asteikkoa pidemmälle. Roiskeiden välttämiseksi aseta teräosa käsiteltävän ruoan joukkoon ennen kuin kytket laitteen päälle. Varmista aina, että teräosan pohja on kokonaan ainesosien sisällä käsittelyn aikana.
- Älä täytä silppurin lasikulhoa yli puolen välin: näin silppuri toimii tehokkaammin.
- Upota vain metallinen varsi ruokaan, mutta

* Vain joissakin malleissa.

älä ylitä metalliosia, muuten voit saada sähköiskun!

- Älä laita mitään metalliosia lasikannuun.
- Älä sekoita sellaista ainesosien paloja, joiden koko on yli 2 x 2 x 2 cm.
- Metallinen sekoitusvarsi ja vatkain saattavat naarmuttaa tai jättää jälkiä keraamisiin pinnoitteisiin. Ei saa käyttää keraamisissa keittoastioissa.
- Älä käytä tai laita mitään osaa mikroaaltouuniin.
- Jotta käyttöikä olisi mahdollisimman pitkä, älä käytä sauvasekoitinta paksuissa seoksissa. Jos päärunko ylikuumentuu, irrota laitteen pistoke pistorasiasta ja anna sen jäähtyä noin 10 minuutin ajan ennen kuin käytät sitä uudelleen.
- Liukumaton alusta voidaan asettaa kannun ja silppurin lasikannun pohjaan, jotta nämä eivät liukuisi.

4. Sauvasekoittimen käyttö

Virransäätö [Kuva 13]

Paina ON/OFF -painiketta valitaksesi tarvittavan nopeuden ja säätääksesi sitä.

Paina aktiivointipainiketta kevyesti pientä nopeutta varten.

Paina aktiivointipainiketta voimakkaasti suurta nopeutta varten.

Se soveltuu erinomaisesti dippi-, salaatin- ja muiden kastikkeiden, keittojen, vauvanruoan sekä juomien, smoothieiden ja pirtelöiden valmistukseen, minkä lisäksi se soveltuu myös koviin elintarvikkeiden, kuten raakojen hedelmien ja kasvien, sekoittamiseen.

Metallivarsi [Kuva 1]

Kiinnitä metallivarsi päärunkoon kääntämällä sitä vastapäivään. Kun se on paikoillaan, kuulet klik-äänen.

- Jos käytät laitetta kuuman ruoan

soseuttamiseen kattilassa tai padassa, poista kattila tai pata lämmönlähteen päältä ja varmista, että neste ei kiehu. Anna kuuman ruoan jäähtyä hieman palovammojen välttämiseksi.

- Älä jätä sauvasekoitinta kuumaan kattilaan tai pataan keittotasolle, kun sitä ei käytetä.
- Älä käytä metallivartta 1 minuuttia pidempään 4 minuutin aikana.

Kaksoisvatkain* [Kuva 2,3]

1. Aseta vatkainvarret vatkainten vaihteiston aukkoon. Kun ne ovat kokonaan paikoillaan, kuulet klik-äänen.
2. Kiinnitä vatkainten vaihteisto päärunkoon kääntämällä sitä vastapäivään. Kun se on paikoillaan, kuulet klik-äänen.
 - Käytä vatkainta vain kerman vaahdottamiseen, kananmunanvalkuaisten vatkamiseen sekä sokerikakkujen ja sekoitettavien jälkiruokien valmistukseen
 - Roiskeiden välttämiseksi aloita hitaasti ja käytä vatkainosaa syvässä astioissa.
 - Älä käytä vatkainta 3 minuuttia pidempään 10 minuutin aikana.

Perunansurvin* [Kuva 4,5,6]

Tätä voidaan käyttää keitettyjen perunoiden muussaamiseen.

1. Kiinnitä perunansurvimen vaihteisto perunansurvimen varteen kääntämällä sitä vastapäivään. Kun se on paikoillaan, kuulet klik-äänen.
2. Kiinnitä perunansurvimen terä keskushavan päälle ja käännä myötäpäivään. Kun se on paikoillaan, kuulet klik-äänen.
3. Kiinnitä perunansurvimen vaihteisto päärunkoon kääntämällä sitä vastapäivään, kunnes se lukittuu paikoilleen.
 - Älä koskaan käytä perunansurvinta kattilassa suoran lämmönlähteen yllä.
 - Poista kattila aina lämmönlähteen päältä ja anna sen jäähtyä hieman.
 - Aseta kattila tai kulho vakaalle ja tasaiselle pinnalle ja tue sitä vapaalla kädelläsi.
 - Perunoiden muussaamisen parhaita tuloksia varten älä koskaan täytä kattilaa tai kulhoa

* Vain joissakin malleissa.

perunoilla a yli puolenvälin.

- Älä käsittele useampaa kuin yhtä erää ilman keskeytyksiä.

Älä käytä perunansurvinta 1 minuuttia pidempään 5 minuutin aikana.

Silppurin kiinnitys*

[Kuva 7, 8, 9, 10, 11, 12]

1. Aseta lasikannu puhtaalle ja tasaiselle pinnalle ja käännä yläterää myötöpäivään terän varressa, kunnes se lukittuu paikoilleen.
2. Aseta terän varsikokoonpano karatappiin lasikannun päälle.
3. Pilko ruoka sopivan kokoisiksi palasiksi ja laita lasikannuun. Suuri ruoka tulee pilkkoa noin 2x2x2 cm:n palasiksi.
4. Kiinnitä kannen vaihteisto lasikannun päälle ja paina lukitaksesi sen.
5. Kiinnitä päärunko myötöpäivään kiertämällä kannen vaihteistoon. Kun se on kokonaan paikoillaan, kuulet klik-äänen.
6. Laita pistoke pistorasiaan.
7. Paina aktivointipainike pohjaan haluamasi pulssinopeuden saavuttamiseksi.

Kun käytät päärunkoa, pitele sitä ja lasikannua tiukasti.

- Paina aktivointipainiketta kevyesti pientä nopeutta varten.
- Paina aktivointipainiketta voimakkaasti suurta nopeutta varten.
- Vaihtoehtoisesti aktivointipainike voidaan painaa alas lyhyeksi aikaa impulssivaikutuksen aikaansaamiseksi.
- Tätä voidaan käyttää ruoan liiallisen sekoittamisen välttämiseksi. Käytä silppuria, kunnes olet tyytyväinen tulokseen.
- Vapauta aktivointipainike päättäväisesti sammuttaaksesi: ota ensin terät ulos ja kaada sitten ruoka ulos.

Älä käytä silppuriosaa jatkuvasti yli 30 sekunnin ajan. Anna sen jäähtyä 1 minuutin ajan aina 30 sekunnin käytön jälkeen.

Toista aiempi toimenpide käänteisessä järjestyksessä laitteen purkamiseksi.

* Vain joissakin malleissa.

5. Puhdistus ja kunnossapito

VAROITUKSIA: Varmista, että päärunko on kytketty irti verkkovirtasta ja että terät eivät enää pyöri ennen kuin kiinnität mitään lisävarustetta tai irrotat sellaista.

Pura kaikki osat ennen pesua.

ÄLÄ upota päärunkoa, vatkaimien vaihteistoa, perunasurvimen vaihteistoa ja silppurin kannen vaihteistoa veteen tai mihinkään muuhun nesteeseen. Puhdista kostealla sienellä tai liinalla ja pyyhi kuivaksi.

Metallivarsi voidaan huuhdella juoksevilla vedellä. Käsittele teriä varoen, sillä ne ovat erittäin teräviä.

Suoraavat osat/välineet voidaan pestä astianpesukoneessa.

[Kuva 14]

- Kannu
- Vatkaimen varsi*
- Perunasurvimen terä*
- Yläterä*
- Terän varsi*
- Lasikannu*
- Liukumaton alusta

Kaikki osat on puhdistettava ja kuivattava ennen säilytystä.

Kokoa laite siten, että terät, silppurin lisävarusteet ja päärunko ovat paikoillaan. Säilytä laitetta laatikossa tai puhtaassa ja kuivassa paikassa lasten ulottumattomissa.

6. Vianmääritys

1. Sauvasekoitin alkaa hidastua tai toimii vaivalloisesti käytön aikana.

Tarkista, että moottoripään pohja on puhdas ja ettei ruoka tuki liitäntää, kun asetat paikoilleen astioita tai että astiassa ei ole liikaa ruokaa. Jos yksikkö on ylikuumentunut, irrota pistoke ja odota noin 10 minuuttia ennen kuin käytät sitä uudelleen.

2. Liikaa roiskeita käsittelyn aikana.

Valitse alhaisempi aloitusnopeus ja lisää nopeutta seoksen tasoittuessa. Valitse sopivan kokoinen astia. Aseta terät ruokaan ennen kuin kytket päälle.

3. Päärunko kuumenee käytön aikana.

Anna laitteen jäähtyä kokonaan ennen kuin käytät sitä uudelleen.

7. Tekniset tiedot

Sähköliitäntä	220-240V-50/60Hz
Virta	1000W

8. Tärkeää tietoa

Haier lisäosat ja kulutustarvikkeet

Käytä vain alkuperäisiä Haier lisä- ja varaosia. Niitä on saatavana paikalliselta Haier-jälleenmyyjältä tai valtuutetulta huoltajalta. Mainitse varaosatilauksen yhteydessä laitteen tyyppinumero.

Laatu

Haierin tehtaat on arvioitu laadun suhteen ulkopuolisen riippumattoman tahon toimesta. Tuotantoprosessimme täyttävät ISO 9001 -laatu järjestelmän vaatimukset.

TAKUU

Tämän laitteen takuehdot määrittelee sen maan Haier-edustaja, josta laite on ostettu. Yksityiskohtaiset tiedot näistä ehdoista saa laitteen myyneeltä jälleenmyyjältä. Tämän takuun mukaisia vaateita esitettäessä on esitettävä laitteen myyntitodistus tai ostokuitti.

1. ИНСТРУКЦИИ ПО БЕЗОПАСНОМУ ИСПОЛЬЗОВАНИЮ

Этот прибор предназначен только для домашнего использования согласно данным инструкциям. Прежде чем приступить к эксплуатации данного бытового электроприбора, убедитесь в том, что вы понимаете настоящее руководство.

ПРЕДУПРЕЖДЕНИЕ Во избежание опасности удушья для детей, выбрасывайте все упаковочные материалы сразу же после распаковки прибора. Данный прибор может использоваться лицами с ограниченными физическими, сенсорными или умственными способностями, недостатком опыта и знаний при условии соответствующего надзора или предварительного инструктажа по правилам пользования прибором, проведенного лицом, отвечающим за их безопасность. Дети должны находиться под присмотром, следите, чтобы они не использовали прибор и не играли с ним. Храните прибор и его шнур в недоступном для детей месте.

Дети в возрасте от 8 лет и старше могут пользоваться этим прибором (со взбивателями сливок, аксессуаром для взбивания яиц) при условии, что они находятся под присмотром или проинструктированы о безопасном использовании прибора и если они осознают связанные с этим риски. Дети до 8 лет не должны заниматься

очисткой и техническим обслуживанием прибора. Храните прибор и его шнур в месте, недоступном для детей младше 8 лет.

Не тяните и не переносите, держа прибор за шнур питания. Всегда отключайте прибор от розетки, потянув за вилку, а не за шнур. Не кладите шнур питания на острые края или вблизи горячих поверхностей. Не используйте удлинитель. Если провод питания поврежден, немедленно отключите прибор. Во избежание угрозы безопасности замену провода питания должен проводить только мастер авторизованной сервисной службы Haier.

Используйте только те насадки, расходные материалы или запасные части, которые рекомендует или поставляет Haier.

ПРЕДУПРЕЖДЕНИЕ Опасность травмы! Неправильное пользование прибором может привести к травме.

ОСТОРОЖНО Режущие лезвия очень острые, будьте осторожны при обращении с острыми лезвиями во время сборки и разборки, опорожнения чаши и очистки.

ОСТОРОЖНО Перед извлечением чаши убедитесь, что прибор выключен и остановлен.

Всегда отключайте прибор от электросети, если он остается

без присмотра, а также перед сборкой, разборкой, очисткой или в случае неисправности. Используйте прибор только в соответствии с мощностью, указанной на паспортной табличке.

Используйте прибор только на сухой ровной поверхности и никогда не перемещайте его во время работы.

Прибор предназначен только для измельчения или смешивания продуктов, размер и количество которых указано в инструкции. Запрещается использовать прибор не по назначению.

Не используйте стеклянную чашу сразу после извлечения из посудомоечной машины или холодильника. Она должна находиться при комнатной температуре не менее 5 минут перед использованием.

Не включайте прибор, пока ножевой блок не будет надежно закреплен и не будет погружен в ингредиенты.

Будьте осторожны, если в кухонный комбайн или блендер наливается горячая жидкость, так как она может быть выброшена из прибора из-за внезапного образования пара. Соблюдайте осторожность при обработке горячих продуктов, которые могут разбрызгиваться. Выключите прибор и отсоедините его от электросети перед заменой аксессуаров или приближением к движущимся частям.

Не включайте прибор с

помощью внешнего таймера или отдельной системы дистанционного управления. Отключите прибор от электросети и дайте ножам полностью остановиться перед снятием любых деталей, а также перед чисткой или любым техническим обслуживанием.

Никогда не погружайте основание двигателя в жидкость во время работы и не мойте его под проточной водой. Не работайте с прибором мокрыми руками.

Обязательно очищайте поверхности, которые контактируют с продуктами питания! Информация об очистке приводится в инструкциях.

В случае неисправности не следует продолжать пользоваться прибором.

Сервисное обслуживание:

Для гарантии безопасной и надежной работы данного прибора мы рекомендуем приглашать авторизованных инженеров сервисной службы Haier для выполнения технического обслуживания и ремонта.

Рецепт:

Овощи/Фруктовый сок (1 мин. вкл. / 1 мин.выкл., максимум 5 циклов)

Стакан с мерной шкалой: 360 g морковь + 540 g вода

Медово-масляный соус (5 сек. вкл / 2 мин выкл., максимум 3 цикла)

Стеклянная чаша измельчителя:
200 g Сливочное масло + 300 g Мед

Бисквит (максимум 10 минут)
Стакан с мерной шкалой: 720 g
яичные белки

Примечание к рецепту:

1) Для каждого использования последовательный цикл работы или время и количество продуктов должны быть не более указанных выше. Перед выполнением следующей операции необходимо выдержать паузу не менее 10 минут. Дайте прибору остыть до комнатной температуры перед следующим рабочим циклом.

2) Чтобы остановить прибор в процессе работы, можно в любой момент отпустить кнопку ВКЛ/ВЫКЛ.

Окружающая среда

Символ на данном приборе указывает на то, что его нельзя утилизировать вместе с бытовыми отходами. Его необходимо сдавать в соответствующий пункт приема для дальнейшей переработки электрических и электронных частей. Утилизация должна проводиться в соответствии с местными правилами по защите окружающей среды и утилизации отходов. За более подробной информацией по обращению с данным прибором, его утилизации и переработке обратитесь в местные органы власти, в службу утилизации отходов или в магазин, где вы приобрели данный прибор.



Данный прибор отвечает

требованиям Европейских Директив 2014/35/EU, 2014/30/EU и 2011/65/EU.

CANDY HOOVER GROUP S.r.l. Via Comolli 16, 20861 Brugherio(MB), ITALY

2. Знакомство с вашим ручным блендером

- A. Спусковая кнопка ВКЛ/ВЫКЛ
- B. Главный корпус
- C. Металлическая ножка
- D. Стакан с мерной шкалой
- E. Редуктор венчика*
- F. Двойной венчик*
- G. Редуктор картофелемялки*
- H. Ножка картофелемялки*
- I. Лопасть картофелемялки*
- J. Редуктор крышки измельчителя*
- K. Верхний нож измельчителя*
- L. Вал ножа измельчителя*
- M. Стеклянная чаша измельчителя*
- N. Штифт шпинделя
- O. Нескользящая подставка

3. Перед первым использованием

Перед первым использованием прибора и принадлежностей тщательно вымойте все части, которые контактируют с продуктами. (Порядок очистки деталей описан в главе 5.)

- Поместите продукты в стакан или аналогичный контейнер и удерживайте его в устойчивом положении.
- Не наполняйте стакан выше верхней отметки шкалы. Во избежание разбрызгивания вводите нож в продукт, прежде чем включить его. Следите за тем, чтобы нож был полностью погружен в ингредиенты в процессе обработки.
- Для лучшего смешивания не наполняйте чашу измельчителя выше половины.
- Погружайте в продукты только металлическую ножку, но не выше

* Только у конкретных моделей.

нее, иначе возникает риск удара электрическим током!

- Не помещайте в чашу металлические объекты.
- Не смешивайте кусочки ингредиентов размером больше 2 x 2 x 2 см.
- Металлический вал блендера и венчики могут поцарапать или оставить следы на антипригарном покрытии. Не используйте блендер в посуде с антипригарным покрытием.
- Не используйте какие-либо компоненты блендера в микроволновой печи.
- Для гарантии долгого срока службы не используйте ручной блендер для обработки слишком твердых смесей. Если главный корпус перегрелся, выньте вилку из розетки и дайте прибору остыть примерно 10 минут, прежде чем продолжить работу.
- Нескользкую подставку можно использовать под стаканом и чашей измельчителя, чтобы предотвратить их смещение.

4. Использование ручного блендера

Регулировка мощности [Рис. 13]

Нажмите кнопку ВКЛ/ВЫКЛ, чтобы выбрать и установить нужную скорость.

При легком нажатии блендер запускается на низкой скорости.

При сильном нажатии скорость увеличивается.

Блендер идеально подходит для приготовления соусов, заправок для салатов, супов, детского питания, а также напитков, смузи и молочных коктейлей.

Также подходит для смешивания твердых продуктов, таких как сырые фрукты и овощи.

Металлическая ножка [Рис. 1]

Установите металлическую ножку на главный корпус, повернув ее против часовой стрелки. При фиксации вы услышите щелчок.

- Если вы готовите пюре из горячих продуктов в соуснике или кастрюле,

снимите посуду с плиты, чтобы жидкость не кипела. Дайте горячему блюду немного остыть, чтобы исключить риск ожога.

- Не оставляйте блендер погруженным в горячее блюдо в кастрюле на плите.
- Не используйте металлическую ножку более 1 минуты непрерывно в течение 4-минутного интервала.

Двойной венчик* [Рис. 2,3]

1. Вставьте ножки венчиков в отверстие в редукторе. При фиксации вы услышите щелчок.
 2. Установите редуктор венчиков на главный корпус, повернув его против часовой стрелки. При фиксации вы услышите щелчок.
- Пользуйтесь венчиками только для взбивания сливок, яичных белков, приготовления бисквитов и десертов из готовых смесей.
 - Во избежание разбрызгивания, запускайте венчик на медленной скорости и в глубоком контейнере.
 - Не используйте венчик более 3 минут непрерывно в течение 10-минутного интервала.

Картофелемялка* [Рис. 4,5,6]

Эту насадку можно использовать для приготовления картофельного пюре.

1. Установите редуктор картофелемялки на ножку картофелемялки, повернув его против часовой стрелки. При фиксации вы услышите щелчок.
 2. Установите лопасть картофелемялки на ступицу и поверните ее против часовой стрелки. При фиксации вы услышите щелчок.
 3. Установите редуктор картофелемялки на главный корпус, повернув его против часовой стрелки до фиксации.
- Не пользуйтесь картофелемялкой в кастрюле на открытом огне.
 - Обязательно снимайте кастрюлю с плиты и давайте блюду немного остыть.
 - Установите кастрюлю или чашу на устойчивую ровную поверхность, придерживая ее свободной рукой.
 - Для лучшего результата не заполняйте кастрюлю или чашу больше, чем на половину.

* Только у конкретных моделей.

- Не обрабатывайте больше одной порции без перерыва.

Не используйте картофелемялку более 1 минуты непрерывно в течение 5-минутного интервала.

Установка измельчителя*

[Рис. 7,8,9,10,11,12]

1. Поставьте стеклянную чашу на чистую ровную поверхность, установите верхний нож на вал, повернув его по часовой стрелке до фиксации.
2. Установите вал ножа на штифт шпинделя в стеклянной чаше.
3. Нарежьте продукт на кусочки приемлемого размера и поместите их в стеклянную чашу. Крупные куски нужно нарезать кубиками размером примерно 2 x 2 x 2 см.
4. Установите редуктор крышки на стеклянную чашу и прижмите до фиксации.
5. Установите главный корпус на редуктор крышки, повернув по часовой стрелке. При фиксации вы услышите щелчок.
6. Вставьте вилку в розетку
7. Прижмите спусковую кнопку, чтобы выбрать нужную скорость.

При работе с главным корпусом прочно удерживайте его и стеклянную чашу.

- При легком нажатии на спусковую кнопку блендер запускается на низкой скорости.
- При сильном нажатии скорость увеличивается.
- Спусковую кнопку также можно нажимать на короткие промежутки времени, чтобы получить импульсный эффект.
- Такой метод можно использовать, чтобы избежать чрезмерного измельчения продуктов. Работайте с измельчителем до получения желаемого результата.
- Полностью отпустите спусковую кнопку, чтобы отключить блендер. Сначала уберите ножи, а потом выгрузите продукт.

Не запускайте измельчитель на продолжительное время (более 30 секунд) непрерывно. Давайте остыть в течение примерно 1 минуты между 30-секундными периодами работы.

Выполните описанные выше действия в обратном порядке, чтобы разобрать блок.

* Только у конкретных моделей.

5. Очистка и техническое обслуживание

ОСТОРОЖНО! Обязательно вынимайте вилку главного корпуса из розетки и убедитесь, что ножи остановились, прежде чем устанавливать или снимать детали блендера. Разберите все компоненты перед мойкой. **НЕ** погружайте главный корпус, редуктор венчика, редуктор картофелемялки и редуктор крышки измельчителя в воду или любую другую жидкость. Очистите эти компоненты влажной губкой или салфеткой, затем протрите насухо. Металлическую ножку можно мыть под проточной водой. Соблюдайте осторожность с ножами – они очень острые.

Следующие детали блендера можно мыть в посудомоечной машине:

[Рис. 14]

- Стакан с мерной шкалой
- Ножка венчика*
- Лопасть картофелемялки*
- Верхний нож*
- Вал ножа*
- Стеклянная чаша*
- Нескользкая подставка

Все детали следует полностью очистить и просушить перед помещением на хранение. Соберите прибор, установив ножи, принадлежности измельчителя и главный корпус в правильном положении. Храните прибор в коробке в чистом сухом месте, недоступном для детей.

6. Поиск и устранение неисправностей

1. Ручной блендер замедляется или работает с усилием.

Возможно в нижней части головки двигателя налипли остатки продуктов, которые препятствуют соединению с контейнерами, или же в контейнере слишком много продуктов.

Если прибор перегрелся, выньте вилку из розетки и подождите примерно 10 минут, прежде чем включать его снова.

2. Чрезмерное разбрызгивание в процессе обработки.

Начинайте работу с низкой скорости и увеличивайте ее по мере загустевания смеси. Выбирайте контейнер достаточного размера. Прежде чем включить блендер, поместите ножи в продукт.

3. Главный корпус нагревается в процессе работы.

Дайте прибору полностью остыть, прежде чем продолжить работу.

7. Технические данные

Электрические данные	220-240V-50/60Hz
Мощность	1000W

8. Важно!

Запасные части и расходные материалы компании Haier

При замене частей используйте только оригинальные запасные части и расходные материалы компании Haier.

Их можно приобрести у вашего местного дилера компании Haier. При оформлении заказа на запасные части обязательно указывайте номер модели прибора.

Качество

Заводы компании Haier прошли независимую оценку на предмет соблюдения требований к качеству выпускаемой продукции. Наша продукция изготавливается с применением системы качества, удовлетворяющей требованиям стандарта ISO 9001.

УСЛОВИЯ ГАРАНТИИ

Условия гарантии для данного бытового электрического прибора определяются нашим представительством в стране, где этот электроприбор продан. Более подробную информацию об этих условиях вы можете получить у продавца или из гарантийного сертификата на данный прибор. В случае возникновения ситуации, покрываемой гарантийными обязательствами изготовителя, при обращении в уполномоченную сервисную организацию необходимо предъявить товарно-кассовый чек или иной документ, подтверждающий начало истечения гарантийного срока, предусмотренного условиями гарантии для данного прибора.

1. ΟΔΗΓΙΕΣ ΑΣΦΑΛΟΥΣ ΧΡΗΣΗΣ

Αυτή η συσκευή προορίζεται μόνο για οικιακή χρήση, όπως περιγράφεται σε αυτόν τον οδηγό χρήσης. Πριν δοκιμάσετε να χρησιμοποιήσετε τη συσκευή, βεβαιωθείτε ότι έχετε κατανοήσει τις οδηγίες που περιέχει ο οδηγός που κρατάτε στα χέρια σας.

ΠΡΟΣΟΧΗ Για να εξαλείψετε τον κίνδυνο ασφυξίας για τα μικρά παιδιά, απορρίψτε όλα τα υλικά συσκευασίας αμέσως μετά την αφαίρεση του προϊόντος.

Η χρήση της συσκευής από άτομα με ειδικές ανάγκες ή άτομα χωρίς εξοικείωση στην λειτουργία παρόμοιων συσκευών επιτρέπεται μόνο εφόσον θα επιβλέπονται από άτομο που θα φέρει την ευθύνη για την ασφαλεία τους και γνωρίζει την λειτουργία της.

Τα παιδιά θα πρέπει να επιβλέπονται ώστε να διασφαλίζεται ότι δεν χρησιμοποιούν ή παίζουν με τη συσκευή. Κρατήστε τη συσκευή και το καλώδιο της μακριά από παιδιά. Αυτή η συσκευή (με χτυπητήρι κρέμας, αξεσουάρ χτυπητήρι αυγών) μπορεί να χρησιμοποιηθεί από παιδιά ηλικίας 8 ετών και άνω, εφόσον υπάρχει επίβλεψη ή έχουν δοθεί οδηγίες σχετικά με τη χρήση της συσκευής με ασφαλή τρόπο και εφόσον κατανοούν τους κινδύνους που εμπεριέχονται. Ο καθαρισμός και η συντήρηση δεν πρέπει να γίνεται από παιδιά εκτός εάν είναι μεγαλύτερα των 8 ετών και υπό επίβλεψη. Κρατήστε τη συσκευή και το καλώδιο της μακριά από

παιδιά κάτω των 8 ετών.

Μην τραβάτε και μην μεταφέρετε τη συσκευή από το καλώδιο ρεύματος. Αποσυνδέετε πάντα τη συσκευή από την πρίζα τραβώντας το φισ αντί για το καλώδιο. Μην τοποθετείτε το καλώδιο ρεύματος κοντά σε αιχμηρές άκρες ή ζεστές επιφάνειες. Μην χρησιμοποιείτε καλώδιο επέκτασης.

Εάν το καλώδιο σύνδεσης με το δίκτυο παροχής εμφανίσει φθορές διακόψτε την λειτουργία της συσκευής αμέσως. Για να μην τεθεί σε κίνδυνο η ασφάλεια σας, το καλώδιο τροφοδοσίας πρέπει να αντικατασταθεί από έναν εξουσιοδοτημένο τεχνικό της Haier. Χρησιμοποιείτε αποκλειστικά τα εξαρτήματα, αναλώσιμα ή ανταλλακτικά που συνιστώνται ή διατίθενται από τη Haier.

ΠΡΟΣΟΧΗ Κίνδυνος τραυματισμού! Η κακή χρήση της συσκευής μπορεί να οδηγήσει σε τραυματισμό.

ΠΡΟΣΟΧΗ Οι λεπίδες κοπής είναι πολύ αιχμηρές, να προσέχετε όταν τις χειρίζεστε κατά τη συναρμολόγηση και την αποσυναρμολόγηση, το άδειασμα της κανάτας και κατά τον καθαρισμό.

ΠΡΟΣΟΧΗ Βεβαιωθείτε ότι η συσκευή είναι απενεργοποιημένη και διακόψτε τη λειτουργία της πριν την αφαιρέσετε από την κανάτα. Πάντα να αποσυνδέετε τη συσκευή από την τροφοδοσία, εάν την αφήνετε χωρίς επίβλεψη και πριν τη συναρμολόγηση,

την αποσυναρμολόγηση, τον καθαρισμό ή σε περίπτωση σφάλματος.

Χρησιμοποιείτε τη συσκευή μόνο σύμφωνα με τις προδιαγραφές ισχύος στην πινακίδα τεχνικών χαρακτηριστικών.

Χρησιμοποιείτε τη συσκευή μόνο σε στεγνή επίπεδη επιφάνεια και μην την μετακινείτε ποτέ όταν λειτουργεί.

Η συσκευή προορίζεται μόνο για την κοπή ή την ανάμειξη τροφίμων με το συνιστώμενο στις οδηγίες μέγεθος και ποσότητα. Η συσκευή πρέπει να χρησιμοποιείται αποκλειστικά για την προβλεπόμενη χρήση.

Μη χρησιμοποιείτε την γυάλινη κανάτα αμέσως αφού τη βγάλετε από το πλυντήριο πιάτων ή το ψυγείο. Βεβαιωθείτε ότι θα έχει παραμείνει σε θερμοκρασία δωματίου για τουλάχιστον 5 λεπτά πριν τη χρήση.

Μη λειτουργείτε τη συσκευή έως ότου η μονάδα λεπίδων στερεωθεί καλά και βυθιστεί στα συστατικά.

Προσέξτε εάν χυθεί ζεστό υγρό στον επεξεργαστή τροφίμων ή στο μπλέντερ, καθώς μπορεί να εκτιναχθεί έξω από τη συσκευή λόγω ξαφνικού σχηματισμού ατμού. Προσέχετε όταν επεξεργάζεστε ζεστό φαγητό καθώς μπορεί να πιτσιλίζει.

Απενεργοποιήστε τη συσκευή και αποσυνδέστε την από την παροχή ρεύματος πριν αλλάξετε αξεσουάρ ή πλησιάσετε εξαρτήματα που κινούνται κατά τη χρήση.

Μη λειτουργείτε τη συσκευή

μέσω εξωτερικού χρονοδιακόπτη ή χωριστού συστήματος τηλεχειρισμού.

Αποσυνδέστε την από την παροχή ρεύματος και αφήστε τις λεπίδες κοπής να σταματήσουν εντελώς πριν αφαιρέσετε τυχόν εξαρτήματα και πριν καθαρίσετε ή κάνετε οποιαδήποτε συντήρηση.

Ποτέ μην βυθίζετε τη βάση του μοτέρ σε συστατικά κατά τη χρήση και μην την καθαρίζετε κάτω από τρεχούμενο νερό. Μη λειτουργείτε τη συσκευή με βρεγμένα χέρια.

Προσοχή σε καθαρές επιφάνειες που προορίζονται να έρθουν σε επαφή με τρόφιμα! Κρατήστε σημειώσεις και ακολουθείτε πιστά για τον καθαρισμό τις οδηγίες χρήσης.

Εάν η συσκευή εμφανίσει κάποια βλάβη μην συνεχίσετε να την χρησιμοποιείτε.

Τεχνική Υποστήριξη Haier:

Για να εξασφαλιστεί σε μόνιμη βάση η ασφαλής και αποδοτική λειτουργία της παρούσας συσκευής συνιστούμε κάθε συντήρηση ή επισκευή να πραγματοποιείται αποκλειστικά από έναν εξουσιοδοτημένο τεχνικό της Haier.

Συνταγή:

Λαχανικό/Χυμός φρούτων (1 λεπτό ενεργοποίηση / 1 λεπτό απενεργοποίηση, έως 5 κύκλοι)
 Δοχείο Επεξεργασίας: 360 g
 καρότα + 540 g νερό

Σάλτσα βουτύρου μελιού (5 δευτ. ενεργοποίηση / 2 λεπτά απενεργοποίηση, μέγιστο 3 κύκλοι)

Γυάλινη κανάτα πολυκόφτη: 200 g Βούτυρο + 300 g Μέλι

Παντεσπάνι (μέγιστο 10 λεπτά)
Δοχείο Επεξεργασίας: 720 g
ασπράδια αυγών

Σημείωση για τη συνταγή:

- 1) Για κάθε χρήση, ο διαδοχικός κύκλος λειτουργίας ή ο χρόνος και η ποσότητα τροφίμου δεν πρέπει να υπερβαίνουν τα αναφερόμενα όπως παραπάνω. Πρέπει να διατηρείται τουλάχιστον 10 λεπτά χρόνος ανάπαυσης, ώστε η μονάδα να κρυώσει σε θερμοκρασία δωματίου πριν από την εκτέλεση της επόμενης λειτουργίας.
- 2) Εάν θέλετε να σταματήσετε το μηχάνημα κατά τη λειτουργία, αφήστε το κουμπί ενεργοποίησης ON/OFF ανά πάσα στιγμή.

Περιβάλλον

Το σύμβολο πάνω σε αυτή τη συσκευή υποδεικνύει ότι αυτή η συσκευή δεν μπορεί να αντιμετωπιστεί σαν κοινό οικιακό απόρριμμα. Αντίθετα, πρέπει να παραδοθεί στο πλησιέστερο κέντρο συλλογής για την ανακύκλωση ηλεκτρικού και ηλεκτρονικού εξοπλισμού. Η απόρριψη της συσκευής πρέπει να γίνει σύμφωνα με την ισχύουσα κατά τόπο νομοθεσία για την απόρριψη ηλεκτρονικών και ηλεκτρικών αποβλήτων. Για πιο λεπτομερείς πληροφορίες σχετικά με την επεξεργασία, την ανάκτηση και την ανακύκλωση αυτής της συσκευής, επικοινωνήστε με την κατά τόπους αρμόδια αρχή, την υπηρεσία αποκομιδής οικιακών απορριμμάτων ή το κατάστημα από το οποίο αγοράσατε τη συσκευή.



Αυτή η συσκευή συμμορφώνεται με

τις Ευρωπαϊκές Οδηγίες
2014/35/ΕΕ, 2014/30/ΕΕ και
2011/65/ΕΕ.

CANDY HOOVER GROUP S.r.l. Via
Comolli 16, 20861 Brugherio(MB), ITALY

2. Γνωρίστε το μπλέντερ χειρός σας

- A. ON/OFF Πλήκτρο λειτουργίας
- B. Κύριο σώμα
- C. Μεταλλική Ράβδος
- D. Δοχείο Επεξεργασίας
- E. Σύστημα γριναζιών αναδευτήρα*
- F. Διπλός Αναδευτήρας*
- G. Εξάρτημα πολτοποιήσης/πουρέ*
- H. Ράβδος για πουρέ πατάτας*
- I. Λεπίδα για πουρέ πατάτας*
- J. Μοτέρ πολυκόφτη*
- K. Επάνω λεπίδα πολυκόφτη*
- L. Άξονας λεπίδας πολυκόφτη*
- M. Γυάλινη κανάτα πολυκόφτη*
- N. Πείρος άξονα
- O. Αντιολισθητική βάση

3. Πριν από την πρώτη χρήση

Πριν χρησιμοποιήσετε τη συσκευή και τα αξεσουάρ για πρώτη φορά, καθαρίστε καλά τα μέρη που έρχονται σε επαφή με τρόφιμα. (Οι λεπτομερείς καθαρισμού αναφέρονται στο Κεφάλαιο 5)

- Βάλτε τα υλικά στο δοχείο του μίξερ ή σε ένα παρόμοιο δοχείο και μετά κρατήστε το δοχείο σταθερό.
- Μη γεμίζετε το δοχείο περισσότερο από την ενδεικτική κλίμακα. Για να αποφύγετε το πιτσίλισμα, τοποθετήστε τη βάση της λεπίδας στο τρόφιμο που θα επεξεργαστείτε πριν την ανάψευτε. Να βεβαιώνετε πάντα ότι το κάτω μέρος της βάσης της λεπίδας είναι εντελώς βυθισμένο στα συστατικά κατά την επεξεργασία.
- Μην γεμίζετε το γυάλινο δοχείο του κόφτη περισσότερο από μισό για καλύτερη ανάμιξη.
- Βυθίστε μόνο τη μεταλλική ράβδο μέσα στο

* Μόνο για ορισμένα μοντέλα.

τρόφιμο, αλλά μην πάτε πέρα από τα μεταλλικά μέρη, διαφορετικά υπάρχει κίνδυνος ηλεκτροπληξίας!

- Μην βάζετε κανένα μεταλλικό αντικείμενο στο γυάλινο δοχείο.
- Μην ανακατεύετε κομμάτια υλικών μεγαλύτερα από 2x2x2cm.
- Ο μεταλλικός άξονας ανάμειξης και το σύρμα μπορεί να χαράξουν ή να σημαδεύουν αντικολλητικές επιστρώσεις. Μην το χρησιμοποιείτε σε αντικολλητικά σκεύη.
- Μην χρησιμοποιείτε και μην βάζετε κανένα εξάρτημα στον φούρνο μικροκυμάτων.
- Μην χρησιμοποιείτε το μπλέντερ χειρός σε βαριά μείγματα για να εξασφαλίσετε μεγάλη διάρκεια ζωής. Εάν το κύριο σώμα υπερθερμανθεί, βγάλτε τη συσκευή από την πρίζα και αφήστε τη να κρυώσει για περίπου 10 λεπτά πριν τη χρησιμοποιήσετε ξανά.
- Η αντιολισθητική βάση μπορεί να τοποθετηθεί στο κάτω μέρος του δοχείου και στη γυάλινη κανάτα κοπής για να έχετε αντιολισθητική βάση.

4. Χρήση του ραβδομπλέντερ

Έλεγχος Ισχύος [Εικ. 13]

Πατήστε το πλήκτρο ενεργοποίησης ON/OFF για να επιλέξετε και να ρυθμίσετε την επιθυμητή ταχύτητα.

Πατήστε ελαφρά το πλήκτρο ενεργοποίησης για χαμηλή ταχύτητα.

Πατήστε παρατεταμένα το πλήκτρο ενεργοποίησης για υψηλή ταχύτητα.

Είναι ιδανικό για την προετοιμασία ντιπ, για σάλτσες, ντρέινγκ για σαλάτες, σούπες, παιδικές τροφές, καθώς και ποτά, smoothie και milkshake, κατάλληλο και για την ανάμειξη σκληρών τροφών, π.χ. ωμά φρούτα και λαχανικά.

Μεταλλική Ράβδος [Εικ. 1]

Τοποθετήστε τη μεταλλική ράβδο στο κύριο σώμα στρέφοντας αριστερόστροφα, όταν κουμπώσει θα ακούσετε τον ήχο «κλικ».

- Εάν χρησιμοποιείτε τη συσκευή για να κάνετε πουρέ ή οποιοδήποτε άλλο ζεστό γεύμα σε τηγάνι ή κατσαρόλα, βγάλτε το σκεύος από την φωτιά και βεβαιωθείτε

ότι το υγρό δεν βράζει. Αφήστε το ζεστό φαγητό να κρυώσει ελαφρά για να αποφύγετε τον κίνδυνο ζεματίσματος.

- Μην αφήνετε το μπλέντερ χειρός σε ζεστό τηγάνι ή κατσαρόλα στην εστία όταν δεν χρησιμοποιείται.
- Μην χρησιμοποιείτε τη μεταλλική ράβδο για περισσότερο από 1 λεπτό σε οποιαδήποτε περίοδο 4 λεπτών.

Διπλός Αναδευτήρας* [Εικ. 2,3]

1. Βάλτε το διπλό σύρμα στις οπές του μοτέρ και όταν κουμπώσουν θα ακούσετε τον ήχο «κλικ».
2. Εφαρμόστε το σώμα του αναδευτήρα στο κύριο σώμα της συσκευής στρέφοντας αριστερόστροφα, όταν κουμπώσει ακούτε έναν ήχο «κλικ».
- Χρησιμοποιήστε το σύρμα μόνο για το χτύπημα κρέμας γάλακτος, το χτύπημα των ασπράδιων αυγών, για να κάνετε παντεσπάνι και έτοιμα επιδόρπια
- Για να αποφύγετε το πιτσιλισμα, ξεκινήστε αργά και χρησιμοποιήστε το σύρμα σε βαθιά δοχεία.
- Μην χρησιμοποιείτε τη μεταλλική ράβδο για περισσότερο από 3 λεπτά σε οποιαδήποτε περίοδο 10 λεπτών.

Πολτοποιητής πατάτας* [Εικ. 4,5,6]

Μπορεί να χρησιμοποιηθεί για να πολτοποιήσετε βραστές πατάτες.

1. Τοποθετήστε το μοτέρ του πολτοποιητή πατάτας στη μεταλλική ράβδο του πολτοποιητή πουρέ πατάτας περιστρέφοντας δεξιόστροφα, όταν κουμπώσει ακούτε έναν ήχο «κλικ».
2. Βάλτε τη λεπίδα του πολτοποιητή πατάτας επάνω στο σώμα της συσκευής και περιστρέψτε δεξιόστροφα όταν κουμπώσει ακούτε ένα «κλικ».
3. Τοποθετήστε τον μηχανισμό του πολτοποιητή πατάτας στο κύριο σώμα περιστρέφοντας αριστερόστροφα μέχρι να κουμπώσει στη θέση του.
- Ποτέ μην χρησιμοποιείτε την μηχανή πουρέ πατάτας σε κατσαρόλα σε άμεση φωτιά.
- Βγάzte πάντα την κατσαρόλα από τη φωτιά και αφήνετε να κρυώσει ελαφρώς.
- Ακουμπήστε την κατσαρόλα ή το μπολ σε μια σταθερή, επίπεδη επιφάνεια και στηρίξτε τα με το ελεύθερο χέρι σας.
- Μην γεμίζετε ποτέ την κατσαρόλα ή το μπολ περισσότερο από το μισό με φαγητό για καλύτερα αποτελέσματα κατά την πολτοποίηση.

* Μόνο για ορισμένα μοντέλα.

- Μην επεξεργάζεστε περισσότερες από μία μερίδες χωρίς διακοπή.

Μην χρησιμοποιείτε την μηχανή πουρέ πατάτας για περισσότερο από 1 λεπτό σε οποιαδήποτε περίοδο 5 λεπτών.

Εξαρτήματα πολυκόφτη*

[Εικ. 7,8,9,10,11,12]

1. Τοποθετήστε τη γυάλινη κανάτα σε μια καθαρή, επίπεδη επιφάνεια, συναρμολογήστε την επάνω λεπίδα δεξιόστροφα στον άξονα της λεπίδας μέχρι να κουμπώσει στη θέση της.
2. Βάλτε το σύστημα άξονα με τις λεπίδες, στον πείρο του άξονα πάνω μέσα στη γυάλινη κανάτα.
3. Κόψτε το φαγητό σε κομμάτια κατάλληλου μεγέθους και τοποθετήστε το στη γυάλινη κανάτα. Τα μεγαλύτερα κομμάτια φαγητού πρέπει να κόβονται σε κομμάτια περίπου 2x2x2 cm.
4. Τοποθετήστε το καπάκι του πολυκόφτη στη γυάλινη κανάτα και πιέστε για να κουμπώσει στη θέση του.
5. Περιστρέψτε το κύριο σώμα δεξιόστροφα στο καπάκι του πολυκόφτη και όταν κουμπώσει θα ακούσετε τον ήχο “κλικ”.
6. Τρόποι λειτουργίας
7. Πιέστε προς τα κάτω το πλήκτρο ενεργοποίησης για να επιλέξετε την επιθυμητή ταχύτητα παλμού.

Όταν χειρίζεστε το κύριο σώμα, κρατήστε το σταθερά πάνω του και τη γυάλινη κανάτα.

- Πατήστε ελαφρά το πλήκτρο ενεργοποίησης για χαμηλή ταχύτητα.
- Πατήστε παρατεταμένα το πλήκτρο ενεργοποίησης για υψηλή ταχύτητα.
- Εναλλακτικά, το πλήκτρο ενεργοποίησης μπορεί να πατηθεί προς τα κάτω για σύντομες χρονικές περιόδους για να παράγει παλμική κίνηση.
- Αυτό μπορεί να χρησιμοποιηθεί για την αποφυγή της υπερβολικής επεξεργασίας των τροφών. Λειτουργήστε τον πολυκόφτη μέχρι να πετύχετε το επιθυμητό αποτέλεσμα.
- Αφήστε το πλήκτρο ενεργοποίησης για να τερματίσετε τη λειτουργία. Αφαιρέστε πρώτα τις λεπίδες και μετά αδειάστε το φαγητό.

Μην χρησιμοποιείτε το εξάρτημα του πολυκόφτη συνεχώς για περισσότερο από 30 δευτερόλεπτα. Αφήστε να κρυώσει για 1 λεπτό ανάμεσα σε κάθε χρήση 30 δευτερολέπτων.

Αντιστρέψτε την παραπάνω διαδικασία για να αποσυναρμολογήσετε τη μονάδα.

* Μόνο για ορισμένα μοντέλα.

5. Καθαρισμός & Συντήρηση

ΠΡΟΣΟΧΗ: Βεβαιωθείτε ότι το κύριο σώμα είναι αποσυνδεδεμένο από την παροχή ρεύματος και ότι οι λεπίδες έχουν σταματήσει να περιστρέφονται πριν συνδέσετε ή αφαιρέσετε οποιοδήποτε εξάρτημα.

Αποσυναρμολογήστε όλα τα μέρη πριν το πλύσιμο.

ΜΗΝ βυθίσετε το κύριο σώμα, το μοτέρ του μίξερ, το μοτέρ του πολτοποιητή πατάτας και το μοτέρ του καπακιού του πολυκόφτη σε νερό ή οποιοδήποτε άλλο υγρό, καθαρίστε με ένα υγρό σφουγγάρι ή πανί και σκουπίστε.

Η μεταλλική ράβδος μπορεί να ξεπλυθεί κάτω από τρεχούμενο νερό.

ΠΡΟΣΟΧΗ με τις λεπίδες, είναι εξαιρετικά αιχμηρές.

Τα παρακάτω εξαρτήματα/εργαλεία μπορείτε να τα βάλετε στο πλυντήριο πιάτων για να τα καθαρίσετε.

[Εικ. 14]

- Δοχείο Επεξεργασίας
- Ράβδος Αναδευτήρα*
- Λεπίδα Πολτοποιητή*
- Επάνω λεπίδα πολυκόφτη*
- Άξονας λεπίδας πολυκόφτη*
- Γυάλινη κανάτα*
- Αντιολισθητική βάση

Όλα τα μέρη πρέπει να καθαρίζονται πλήρως και να στεγνώνουν πριν από την αποθήκευση. Συναρμολογήστε τη συσκευή με τις λεπίδες, τα εξαρτήματα του κόφτη και το κύριο σώμα στη θέση τους.

Αποθηκεύστε τη συσκευή στο κουτί ή σε καθαρό, στεγνό μέρος μακριά από παιδιά.

6. Επίλυση προβλημάτων

1. Το μπλέντερ χειρός αρχίζει να επιβραδύνει ή να καταπονείται κατά τη διάρκεια της παρασκευής.

Βεβαιωθείτε ότι το κάτω μέρος της κεφαλής του κινητήρα είναι καθαρό και ότι δεν υπάρχουν τροφές που μπλοκάρουν τη σύνδεση κατά τη τοποθέτηση σε δοχεία ή υπερβολική ποσότητα τροφών στο δοχείο.

Εάν η μονάδα έχει υπερθερμανθεί, βγάλτε την από την πρίζα και περιμένετε περίπου 10 λεπτά πριν τη χρησιμοποιήσετε ξανά.

2. Υπερβολικό πισίλισμα κατά την λειτουργία

Επιλέξτε αρχικά χαμηλότερη ταχύτητα και αυξήστε όσο πήζει το μείγμα.

Επιλέξτε ένα δοχείο κατάλληλου μεγέθους.

Τοποθετήστε τις λεπίδες στο φαγητό πριν τις βάλετε σε λειτουργία.

3. Το κύριο σώμα θερμαίνεται κατά τη λειτουργία.

Αφήστε τη μονάδα να κρυώσει εντελώς πριν τη χρησιμοποιήσετε ξανά.

7. Τεχνικά δεδομένα

Ηλεκτρική σύνδεση	220-240V-50/60Hz
Ισχύς	1000W

8. Σημαντικές πληροφορίες

Ανταλλακτικά και αναλώσιμα της Haier

Χρησιμοποιείτε μόνο γνήσια ανταλλακτικά Haier.

Τα ανταλλακτικά Haier διατίθενται από τον τοπικό αντιπρόσωπο Haier ή απευθείας από τη Haier. Κατά την παραγγελία εξαρτημάτων να αναφέρετε πάντα τον αριθμό μοντέλου.

Ποιότητα

Τα εργοστάσια Haier έχουν ελεχθεί από ανεξάρτητους φορείς ποιοτικού ελέγχου. Τα προϊόντα μας κατασκευάζονται μέσω του συστήματος ποιότητας το οποίο πληρεί τις προδιαγραφές του προτύπου ISO 9001.

ΕΓΓΥΗΣΗ

Οι όροι ισχύος της εγγύησης της συσκευής καθορίζονται από τον αντιπρόσωπο της χώρας στην οποία έχει πραγματοποιηθεί η πώληση. Περισσότερες πληροφορίες σχετικά με τους όρους εγγύησης μπορείτε να ζητήσετε από τον αντιπρόσωπο που αγοράσατε τη συσκευή. Η προσκόμιση του αποδεικτικού αγοράς είναι βασική προϋπόθεση για την ισχύ της εγγύησης.

1. INSTRUKCJE BEZPIECZNEGO UŻYTKOWANIA

Urządzenie to jest przeznaczone wyłącznie do użytku domowego w sposób opisany w niniejszej instrukcji użytkownika. Prosimy o dokładne zapoznanie się z instrukcją przed rozpoczęciem używania odkurzacza.

OSTRZEŻENIE Aby wyeliminować ryzyko uduszenia się małych dzieci, wszystkie materiały z opakowania należy wyrzucić natychmiast po rozpakowaniu produktu.

Urządzenie mogą obsługiwać osoby o ograniczonych zdolnościach fizycznych, sensorycznych lub mentalnych oraz osoby nieposiadające odpowiedniej wiedzy lub doświadczenia pod warunkiem że odbywać się będzie to pod nadzorem lub po przeszkoleniu na temat bezpiecznego użycia, a także pod warunkiem, że rozumieją one istniejące zagrożenia.

Należy pilnować, aby dzieci nie obsługiwały urządzenia ani nie bawiły się nim. Urządzenie oraz jego przewód zasilający powinny być poza zasięgiem dzieci.

To urządzenie (z ubijaczkami do śmietany i jajek) mogą obsługiwać dzieci od 8 roku życia, pod warunkiem, że będą one pod nadzorem lub po przeszkoleniu na temat bezpiecznego użycia, a także pod warunkiem, że rozumieją one istniejące zagrożenia.

Dzieciom w wieku poniżej 8 roku życia nie wolno czyścić ani konserwować urządzenia bez

nadzoru. Urządzenie oraz jego przewód zasilający powinny być poza zasięgiem dzieci w wieku poniżej 8 lat.

Nie ciągnąć i nie przenosić urządzenia za przewód zasilający. Podczas wyjmowania wtyczki przewodu zasilającego z gniazdka zawsze ciągnąć za wtyczkę, a nigdy za sam przewód. Nie kłaść przewodu zasilającego na ostrych krawędziach i w pobliżu gorących powierzchni. Nie stosować przedłużaczy.

Jeśli przewód zasilający uległ uszkodzeniu, należy natychmiast zaprzestać korzystania z urządzenia. Ze względów bezpieczeństwa, przewód zasilający powinien zostać wymieniony przez serwisanta autoryzowanego punktu serwisowego Haier.

Należy korzystać wyłącznie z końcówek, materiałów eksploatacyjnych oraz części zamiennych zalecanych lub dostarczonych przez firmę Haier.

OSTRZEŻENIE Uwaga! Ryzyko obrażeń. Nieprawidłowe stosowanie urządzenia może skutkować obrażeniami cielesnymi.

OSTROŻNIE Ostrza tnące są bardzo ostre. Zachować ostrożność podczas montowania i demontowania ostrych ostrzy tnących, a także podczas opróżniania o czyszczenia pojemnika.

OSTROŻNIE Przed wyjęciem urządzenia z pojemnika upewnić się, że jest ono wyłączone i że nie pracuje.

Zawsze odłączać urządzenie od zasilania, jeśli będzie ono pozostawione bez nadzoru, a także przed jego montażem, demontażem, czyszczeniem lub w przypadku wystąpienia błędu.

Stosować urządzenie wyłącznie zgodnie ze specyfikacjami zasilania określonymi na tabliczce znamionowej.

Z urządzenia należy korzystać jedynie na suchej i płaskiej powierzchni. Nigdy go nie przesuwaj, jeśli pracuje.

Urządzenie jest przeznaczone wyłącznie do blendowania lub mieszania żywności o zalecanym rozmiarze i w zalecanej ilości zgodnie z instrukcją. Nie używać urządzenia do zastosowań innych niż zamierzone.

Nie używać szklanego pojemnika bezpośrednio po wyjęciu ze zmywarki lub chłodziarki.

Pozwolić, aby przebywał on w temperaturze pokojowej przez co najmniej 5 min. przed użyciem.

Nie korzystać z urządzenia, jeśli zespół ostrza nie jest prawidłowo zamocowany i nie jest zanurzony w składnikach.

Zachowywać ostrożność podczas wlewania gorącej cieczy do robota kuchennego lub blendera, ponieważ mogą one zostać wyrzucone z urządzenia w związku z nagłym parowaniem.

Zachować ostrożność podczas przetwarzania gorącej żywności, która może przyskać.

Wyłączyć urządzenie i odłączyć od zasilania przed przystąpieniem do zmiany akcesoriów lub przed uzyskaniem dostępu do części, które poruszają się, kiedy urządzenie pracuje.

Nie obsługiwać urządzenia za pomocą zewnętrznego minutnika lub oddzielnego systemu zdalnego sterowania.

Odłączyć zasilanie i odczekać do całkowitego zatrzymania się ostrzy tnących przed przystąpieniem do demontażu jakichkolwiek części, czyszczenia bądź konserwacji.

Nigdy nie zanurzać podstawy silnika w składnikach podczas użytkowania ani nie czyścić jej pod bieżącą wodą. Nie obsługiwać urządzenia mokrymi rękami.

Pamiętać, aby czyścić powierzchnie mające styczność z żywnością! Zapoznać się z informacjami na temat czyszczenia podanymi w instrukcji.

Nie używać urządzenia, jeśli jest uszkodzone.

Serwis firmy Haier: Aby zapewnić bezpieczne i sprawne działanie tego urządzenia, zalecamy zlecenie prac serwisowych lub napraw wyłącznie serwisantom autoryzowanego punktu serwisowego firmy Haier.

Nazwa:

Warzywa/Sok owocowy (1 min on / 1 min off, maks. 5 cykli)

Zlewka: 360 g marchewki + 540 g woda

Sos maślano-miodowy (5 s on / 1 min off, maks. 3 cykle)
Szkłany pojemnik rozdrabniacza:
200 g Masło + 300 g miód

Ciasto biszkoptowe (maksimum 10 min)
Zlewka: 720 g białka

Uwaga dotycząca przepisu:

1) W przypadku każdego użycia kolejny cykl pracy lub czas i ilość żywności nie powinny być większe niż podano powyżej. Należy zachować co najmniej 10-minutowy odstęp, aby urządzenie ostygło do temperatury pokojowej przed wykonaniem kolejnej operacji;
2) Jeśli chcesz zatrzymać urządzenie podczas pracy, zwolnij przycisk spustowy ON/OFF w dowolnym momencie.

Ochrona środowiska

Symbol umieszczony na urządzeniu oznacza, że nie jest ono klasyfikowane jako odpad z gospodarstwa domowego. Urządzenie należy zdać w odpowiednim punkcie utylizacji w celu recyklingu komponentów elektrycznych i elektronicznych. Urządzenie należy złomować zgodnie z lokalnymi przepisami w sprawie utylizacji odpadów. Dodatkowe informacje na temat sposobu utylizacji, złomowania i recyklingu urządzenia można uzyskać w lokalnym urzędzie miejskim, w komunalnym zakładzie utylizacji odpadów lub w sklepie, w którym produkt został zakupiony.



Urządzenie spełnia wymogi

Europejskich norm 2014/35/WE, 2014/30/WE oraz 2011/65/WE.

CANDY HOOVER GROUP S.r.l. Via Comolli 16, 20861 Brugherio(MB), ITALY

2. Poznaj swój blender ręczny

- A. Przycisk ON/OFF
- B. Obudowa
- C. Metalowa nóżka
- D. Zlewka
- E. Przekładnia trzepaczki*
- F. Podwójna trzepaczka*
- G. Przekładnia tłuczka do ziemniaków*
- H. Nóżka tłuczka do ziemniaków*
- I. Ostrze tłuczka do ziemniaków*
- J. Przekładnia pokrywy rozdrabniacza*
- K. Górne ostrze rozdrabniacza*
- L. Watek ostrza rozdrabniacza*
- M. Szkłany pojemnik rozdrabniacza*
- N. Trzpień wrzeczona
- O. Podkładka antypoślizgowa

3. Przed pierwszym użyciem

Przed przystąpieniem do korzystania po raz pierwszy z urządzenia i jego akcesoriów należy dokładnie wymyć wszystkie części stykające się z żywnością. (Informacje na temat czyszczenia podano w Rozdziale 5)

- Umieść żywność w zlewce lub w podobnym pojemniku, a następnie przytrzymaj zlewkę.
- Nie napętniaj zlewki powyżej maksymalnego poziomu. Aby uniknąć rozpryskiwania, przed włączeniem urządzenia umieść podstawę ostrza w żywności. Podczas przetwarzania zawsze upewnij się, że dolna część podstawy ostrza jest całkowicie zanurzona w żywności.
- Aby ułatwić mieszanie, nie napętniaj szklanego pojemnika rozdrabniacza więcej niż do połowy.
- Zanurz tylko metalową nóżkę w żywności, uważając, aby nie zanurzać niemetalowych

* Tylko w niektórych modelach.

części, w przeciwnym razie istnieje ryzyko porażenia prądem!

- Nie wkładaj żadnych metalowych przedmiotów do szklanego pojemnika.
- Nie blendować składników o rozmiarach powyżej 2x2x2 cm.
- Metalowy trzonek miksujący i trzepaczka mogą porysować lub uszkodzić powłoki nieprzywierające. Nie używaj w naczyniach z powłoką nieprzywierającą.
- Nie używaj ani nie wkładaj żadnej części urządzenia do kucharki mikrofalowej.
- Aby zapewnić długą żywotność blendera ręcznego, nie używaj go z twardymi mieszaninami. W przypadku przegrzania głównego korpusu odłącz urządzenie od zasilania i pozostaw do ostygnięcia na około 10 minut zanim ponownie go użyjesz.
- Na dnie zlewki i szklanego pojemnika rozdrabniacza możesz umieścić podkładkę antypoślizgową.

4. Korzystanie z blendera ręcznego

Sterowanie mocą [Rys. 13]

Naciśnij przycisk ON/OFF, aby wybrać i dostosować żadaną prędkość.

Naciśnij lekko przycisk, aby uzyskać niską prędkość.

Mocno naciśnij przycisk, aby uzyskać wysoką prędkość.

Urządzenie doskonale nada się do przygotowywania dipów, sosów, sosów sałatkowych, zup, żywności dla niemowląt, a także napojów, smoothie i koktajli mlecznych. Urządzenie nadaje się również do miksowania twardych produktów spożywczych, np. surowych owoców i warzyw.

Metalowa nóżka [Rys. 1]

Zamontuj metalową nóżkę do głównego korpusu, obracając ją w kierunku przeciwnym do ruchu wskazówek zegara, aż usłyszysz „kliknięcie”.

- Jeśli używasz urządzenia do przecierania gorących potraw w rondlu lub garnku,

zdejmij rondel lub garnek ze źródła ciepła i upewnij się, że płyn nie jest wrzący.

Odczekaj, aż gorąca żywność lekko ostygnie, aby uniknąć ryzyka poparzenia.

- Nie pozostawiaj blendera ręcznego na gorącej patelni lub w garnku na płycie kuchennej, gdy go nie używasz.
- Nie używaj metalowej nóżki dłużej niż 1 minutę w okresie 4 minut.

Podwójna trzepaczka* [Rys. 2, 3]

1. Włóż nóżki trzepaczki do otworu przekładni trzepaczki, która jest w pełni zmontowana, tak aby usłyszeć dźwięk „kliknięcia”.
2. Zamontuj przekładnię trzepaczki do głównego korpusu, obracając ją w kierunku przeciwnym do ruchu wskazówek zegara, aż usłyszysz „kliknięcie”.
 - Trzepaczki używaj wyłącznie do ubijania śmietany, białek, ciast biszkoptowych i gotowych deserów
 - Aby zapobiec rozpryskiwaniu, zaczynaj powoli i używaj nasadki trzepaczki w głębokich pojemnikach.
 - Nie używaj trzepaczki dłużej niż 3 minuty w okresie 10 minut.

Tłuczek do ziemniaków* [Rys. 4, 5, 6]

Możesz go używać do tłuczenia ugotowanych ziemniaków.

1. Zamontuj przekładnię tłuczka do ziemniaków na nogę tłuczka do ziemniaków, obracając ją w kierunku przeciwnym do ruchu wskazówek zegara, aż usłyszysz „kliknięcie”.
2. Załóż ostrze tłuczka do ziemniaków na centralną piastę i obróć w kierunku zgodnym z ruchem wskazówek zegara, aby je zablokować.
3. Zamontuj przekładnię tłuczka do ziemniaków na korpusie, obracając ją w kierunku przeciwnym do ruchu wskazówek zegara, aż zablokuje się na swoim miejscu.
 - Nigdy nie używaj tłuczka do ziemniaków w rondlu na ogniu.
 - Zawsze zdejmuj rondel z ognia i poczekaj, aż trochę ostygnie.
 - Postaw rondel lub miskę na stabilnej, płaskiej powierzchni i przytrzymaj ją wolną ręką.
 - Aby uzyskać najlepsze rezultaty podczas rozgniataania, nigdy nie napełniaj rondla lub

* Tylko w niektórych modelach.

miski więcej niż do połowy.

- Rób przerwy pomiędzy poszczególnymi sesjami pracy urządzenia.

Nie używaj tłuczka do ziemniaków dłużej niż 1 minutę w okresie 5 minut.

Przystawka rozdrabniająca* [Rys. 7,8,9,10,11,12]

1. Umieść szklany pojemnik na czystej, płaskiej powierzchni, zamontuj górne ostrze zgodnie z ruchem wskazówek zegara na wałku ostrza, aż do zablokowania.
2. Zamontuj wałek ostrza na trzpieniu wrzecziona nad szklanym pojemnikiem.
3. Pokrój żywność na odpowiedniej wielkości kawałki i umieść je w szklanym pojemniku. Większe kawałki żywności pokrój na kawałki o wymiarach około 2x2x2 cm.
4. Załóż przekładnię pokrywy na szklany dzbanek i dociśnij, aby ją zablokować.
5. Załóż główny korpus zgodnie z ruchem wskazówek zegara na przekładnię pokrywy. Pokrywa będzie odpowiednio zamontowana, gdy usłyszysz dźwięk „kliknięcia”.
6. Podłącz
7. Naciśnij przycisk, aby wybrać żadaną prędkość impulsu.

Gdy obsługujesz główny korpus, trzymaj mocno korpus oraz szklany pojemnik.

- Lekko naciśnij przycisk, aby uzyskać niską prędkość.
- Mocno naciśnij przycisk, aby uzyskać wysoką prędkość.
- Alternatywnie, przycisk może zostać wciśnięty na krótki czas, aby wywołać działanie pulsacyjne.
- Pozwala to uniknąć nadmiernego przetwarzania żywności. Używać rozdrabniacza do momentu uzyskania pożądanego rezultatu.
- Aby wyłączyć urządzenie, poluzuj przycisk, wyjmij najpierw ostrza, a następnie wylej zawartość.

Nie włączaj przystawki rozdrabniającej na dłużej niż 30 sekund. Pozostaw do ostygnięcia na 1 minutę pomiędzy kolejnymi 30-sekundowymi sesjami pracy.

Aby zdemontować urządzenie, postępuj w odwrotnej kolejności.

5. Czyszczenie i Konserwacja

OSTROŻNIE: Przed podłączeniem lub odłączeniem jakichkolwiek akcesoriów należy upewnić się, że obudowa jest odłączona od zasilania, a ostrza przestały się obracać.

Przed myciem zdemontuj wszystkie części.

NIE zanurzaj korpusu, przekładni trzepaczki, przekładni tłuczka do ziemniaków i przekładni pokrywy rozdrabniacza w wodzie lub innym płynie. Czyścić wilgotną gąbką lub ściereczką i wytrzeć do sucha.

Metalową nóżkę można optukać pod bieżącą wodą.

Z ostrzami należy obchodzić się ostrożnie, są one bardzo ostre.

Poniższe części/narzędzia można myć w zmywarce do naczyń.

[Rys. 14]

- Zlewka
- Nóżka trzepaczki*
- Ostrze tłuczka do ziemniaków*
- Górne ostrze*
- Wałek ostrza*
- Szklany pojemnik*
- Podkładka antypoślizgowa

Wszystkie części muszą być całkowicie wyczyszczone oraz suche przed przechowywaniem.

Zmontuj urządzenie z ostrzami, akcesoriami rozdrabniającymi i korpusem na miejscu. Urządzenie należy przechowywać w pudełku lub w czystym, suchym miejscu niedostępnym dla dzieci.

6. Rozwiązywanie problemów

1. Blender ręczny zaczyna zwalniać lub pracować podczas przetwarzania.

Sprawdź, czy spód głowicy silnika jest czysty i czy żywność nie blokuje połączenia podczas umieszczania na pojemnikach lub zbyt dużej ilości żywności w pojemniku.

Jeśli urządzenie się przegrzało, odłącz je i odczekaj około 10 minut przed ponownym użyciem.

* Tylko w niektórych modelach.

2. Nadmierne rozpryskiwanie podczas przetwarzania

Początkowo wybierz niższą prędkość i zwiększ ją, gdy mieszanina zgęstnieje. Wybierz pojemnik o odpowiedniej wielkości. Umieść ostrza w żywności przed włączeniem urządzenia.

3. Główny korpus nagrzewa się podczas pracy.

Przed ponownym użyciem odczekaj, aż urządzenie całkowicie ostygnie.

7. Dane techniczne

Połączenie elektryczne	220-240V-50/60Hz
Moc	1000W

8. Ważne informacje

Części zapasowe i materiały eksploatacyjne Haier

Należy zawsze stosować oryginalne części zapasowe firmy Haier.

Można je nabyć u lokalnego sprzedawcy Haier lub bezpośrednio w firmie Haier. Przy zamawianiu części zawsze należy podać numer danego modelu.

Jakość

Fabryki Haier zostały poddane niezależnej kontroli pod kątem jakości. Nasze produkty zostały wytworzone z wykorzystaniem systemu kontroli jakości spełniającego wymogi normy ISO 9001.

GWARANCJA

Warunki gwarancji na niniejsze urządzenie są określone przez naszego przedstawiciela w kraju, w którym urządzenie jest sprzedawane. Szczegółowe informacje na temat warunków gwarancji można uzyskać w punkcie, w którym urządzenie zostało nabyte. Przy zgłaszaniu wszelkich roszczeń w ramach gwarancji należy przedstawić dowód sprzedaży lub pokwitowanie.

1. NÁVOD K BEZPEČNÉMU POUŽITÍ

Tento spotřebič je určen pouze pro domácí použití, jak je popsáno v této uživatelské příručce. Než začnete spotřebič používat, prosím, ujistěte se, že rozumíte tomuto návodu.

UPOZORNĚNÍ: Abyste vyloučili nebezpečí udušení malých dětí, zlikvidujte všechny obalové materiály ihned po vyjmutí výrobku.

Tento přístroj smí používat děti od 8 let výše. Osoby se sníženými fyzickými, smyslovými nebo mentálními schopnostmi nebo s nedostatkem zkušeností a znalostí smí tento přístroj používat, pokud jsou pod dohledem nebo jim byly dány pokyny týkající se bezpečného používání a byly seznámeny s možnými riziky.

Děti by měly být pod dohledem, ujistěte se, že spotřebič nepoužívají ani si s ním nehrají. Udržujte spotřebič a jeho napájecí kabel mimo dosah dětí.

Tento spotřebič (se šlehačem na smetanu a vejce) mohou používat děti od 8 let, pokud jsou pod dohledem nebo byly poučeny o bezpečném používání spotřebiče a dokáže pochopit možné nebezpečí. Čištění a uživatelskou údržbu nesmí provádět děti, pokud nejsou starší 8 let a nejsou pod

dohledem. Udržujte spotřebič a jeho přívodní kabel mimo dosah dětí mladších 8 let. Nepřenášejte ani netahejte spotřebič za přívodní kabel. Vždy odpojujte spotřebič ze zásuvky vytažením zástrčky, nikoli kabelu. Nepokládejte napájecí kabel na ostré hrany nebo do blízkosti horkých povrchů. Nepoužívejte prodlužovací kabel.

Jestliže je poškozen síťový kabel, okamžitě přestaňte zařízení používat. Aby jste se vyhnuli ohrožení bezpečnosti, napájecí kabel musí být vyměněn autorizovaným technikem společnosti Haier. Používejte výhradně příslušenství, spotřební materiály a náhradní díly doporučené nebo dodávané firmou Haier.

UPOZORNĚNÍ: Nebezpečí zranění! Nesprávné používání spotřebiče může vést ke zranění.

POZOR Řezné čepele jsou velmi ostré, buďte opatrní při manipulaci s řeznými čepelimi při montáži a demontáži, vyprazdňování nádoby a při čištění.

POZOR Před vyjmutím z nádoby se ujistěte, že je spotřebič vypnutý. Spotřebič vždy odpojte z elektrické sítě pokud je

ponechán bez dozoru, a také před montáží, demontáží, čištěním nebo v případě poruchy.

Spotřebič používejte pouze v souladu s technickými údaji o výkonu uvedenými na výrobním štítku.

Spotřebič používejte pouze na suchém rovném povrchu a při práci s ním nikdy nehýbejte.

Tento spotřebič je určen pouze k mixování nebo míchání potravin o doporučené velikosti a množství dle návodu. Nesmí se používat k jinému než určenému způsobu použití.

Nepoužívejte skleněnou nádobu ihned po vyjmutí z myčky nádobí nebo chladničky. Před použitím se ujistěte, že zůstane při pokojové teplotě alespoň 5 minut.

Spotřebič nepoužívejte, dokud není jednotka s čepelemi bezpečně upevněna k mixéru a ponořena v ingrediencích.

Bud'te opatrní, pokud do kuchyňského robota nebo mixéru nalijete horkou tekutinu, může dojít k jejímu vyšpláchnutí v důsledku uvnitř vzniklé páry. Při zpracování horkých potravin bud'te opatrní, mohou vystříknout. Před výměnou příslušenství nebo přiblížením se k dílům, které se při používání pohybují, vypněte spotřebič a odpojte jej od napájení.

Neprovozujte spotřebič s použitím externího časového spínače nebo samostatného systému dálkového ovládnání. Před odstraněním jakýchkoliv částí a před čištěním nebo jakoukoli údržbou odpojte od napájecího zdroje a nechte řezné čepele úplně zastavit. Nikdy neponořujte část s motorem do přísad během používání ani ji nečistěte pod tekoucí vodou. Neobsluhujte spotřebič mokřýma rukama. Dbejte na čistotu povrchů, které mají přijít do styku s potravinami! Vezměte, prosím, na vědomí informace o čištění v návodu.

Nepoužívejte zařízení, pokud vám připadá vadné.

Autorizované servisní středisko Haier: Pro zajištění vždy bezpečné a efektivní práce s přístrojem doporučujeme, aby jakékoliv servisní práce nebo opravy prováděl pouze autorizovaný servisní pracovník společnosti Haier.

Recept:

Zelenina/Ovocný džus (Mixujte 1 min, poté nechte 1 min odpočinout, max. 5 cyklů)
Nálevka: 360 g mrkve + 540 g vody

Medovo-máslová omáčka (Mixujte 5 s, poté nechte 2 min odpočinout, max. 3 cykly)

Skleněná nádoba sekáčku: 200 g Máslo + 300 g Med

Piškotové dorty (maximálně 10 min)

Nálevka: 720 g bílky

Poznámka k receptu:

- 1) Vždy dodržujte výše uvedené pokyny ohledně maximální doby nepřetržitého mixování a množství ingrediencí. Než budete spotřebič opět používat, nechte jej 10 minut odpočinout, aby mohl zchladnout na pokojovou teplotu;
- 2) Pokud chcete spotřebič během používání zastavit, stačí uvolnit tlačítko ZAP/VYP.

Životní prostředí

Tento symbol na tomto zařízení označuje, že tento výrobek nesmí být likvidován jako domovní odpad. Zařízení musí být předáno do příslušného sběrného místa pro likvidaci elektrických a elektronických zařízení. Likvidace musí proběhnout v souladu s místními ekologickými předpisy pro likvidaci odpadu. Pro další podrobné informace o zacházení, novém použití a recyklaci tohoto zařízení, prosím, kontaktujte váš místní úřad, společnost pro sběr odpadu nebo obchod, kde jste jej zakoupili.



Tento spotřebič je v souladu s

evropskými směrnici 2014/35/EU, 2014/30/EU a 2011/65/EU.

CANDY HOOVER GROUP S.r.l. Via Comolli 16, 20861 Brugherio(MB), ITALY

2. Seznamte se se svým ručním mixérem

- A. Spouštěcí tlačítko ON/OFF
- B. Hlavní tělo
- C. Kovová noha
- D. Nálevka
- E. Převodovka šlehače*
- F. Dvojité šlehač*
- G. Převodovka št'ouchadla na brambory*
- H. Noha št'ouchadla na brambory*
- I. Čepel št'ouchadla na brambory*
- J. Převodovka krytu sekáčku*
- K. Horní čepel sekáčku*
- L. Hřídel čepele sekáčku*
- M. Skleněná nádoba sekáčku*
- N. Čep vřetena
- O. Protiskluzová podložka

3. Před prvním použitím

Před prvním použitím spotřebiče a příslušenství důkladně očištěte části, které přicházejí do styku s potravinami. (Postup čištění je podrobněji popsán v kapitole 5.)

- Potraviny vložte do nálevky nebo podobné nádoby a držte nálevku na místě.
- Nálevku nenaplňujte více, než značí stupnice. Aby se vám rozmixované potraviny nerozstříkly kolem, vložte před zapnutím základnu čepele do potravin určených ke zpracování. Při zpracování potravin vždy dbejte na to, aby v nich byla spodní část základny čepele zcela ponořena.
- Aby se vám směs lépe míchala, nenaplňujte skleněnou mísu sekáčku více než do poloviny.
- Do jídla ponořte pouze kovovou nohu, ale

* Pouze u některých modelů.

ne více než za kovové části, jinak vám hrozí nebezpečí úrazu elektrickým proudem!

- Do skleněné nádoby nevkládejte žádné kovové předměty.
- Nemixujte suroviny o rozměrech větších než 2 × 2 × 2 cm.
- Kovová hřídel mixéru a šlehač mohou poškrábat nepřílnavé povrchy nebo je poškodit. Nepoužívejte na nepřilnavém nádobí.
- Žádnou část nepoužívejte do mikrovlnné trouby ani je do ní nevkládejte.
- Pro zajištění dlouhé životnosti nepoužívejte ruční mixér na míchání hustých směsí. Pokud se hlavní část mixéru přehřeje, odpojte spotřebič ze zásuvky a před dalším použitím jej nechte přibližně 10 minut vychladnout.
- Protiskluzovou podložku lze umístit pod nálevku a skleněnou nádobu sekáčku, aby vám neklouzaly.

4. Jak se ruční mixér používá

Regulace výkonu [Obr. 13]

Stisknutím spouštěcího tlačítka ON/OFF zvolte a nastavte požadovanou rychlost. Pokud spouštěcí tlačítko stisknete zlehka, bude mixér fungovat za nízkých otáček. Pokud spouštěcí tlačítko stisknete více, bude mixér fungovat za vysokých otáček. Výborně se hodí k přípravě dipů, omáček, salátových zálivek, polévek, dětské výživy, ale i nápojů, smoothies a mléčných koktejlů, hodí se také k mixování tvrdých potravin, např. syrového ovoce a zeleniny.

Kovová noha [Obr. 1]

Nasad'te kovovou nohu na hlavní část mixéru otáčením proti směru hodinových ručiček a jakmile bude mixér nasazen kompletně, uslyšíte „cvaknutí“.

- Pokud spotřebič používáte k přípravě pyré z horkých potravin v hrnci, odstavte hrnec z plotny a ujistěte se, že se tekutina dále nevaří. Horké jídlo

nechte mírně vychladnout, abyste předešli nebezpečí opaření.

- Nenechávejte ruční mixér stát na horké pánvi nebo v hrnci, který se nachází na varné desce, pokud jej zrovna nepoužíváte.
- Kovovou nohu nepoužívejte déle než 1 minutu nepřetržitě během 4 minut.

Dvojitý šlehač* [Obr. 2,3]

1. Vložte nohy šlehače do otvoru převodovky šlehače, která je zcela sestavena, a uslyšíte „cvaknutí“.
 2. Nasad'te převodovku šlehače na hlavní část mixéru otáčením proti směru hodinových ručiček a po úplném sestavení uslyšíte „cvaknutí“.
- Šlehač použijte pouze ke šlehání smetany, šlehání bílků, přípravě piškotů a hotových dezertů
 - Abyste zabránili tomu, že se vám potraviny rozstříknou po okolí, začněte šlehat pomalu a v hlubokých nádobách použijte šlehačí nástavec.
 - Šlehač nepoužívejte déle než 3 minuty nepřetržitě během 10 minut.

Šťouchadlo na brambory* [Obr. 4,5,6]

Lze jej použít k rozmačkání vařených brambor.

1. Nasad'te převodovku šťouchadla na brambory na nohu šťouchadla otáčením ve směru hodinových ručiček a po úplném sestavení uslyšíte „cvaknutí“.
 2. Nasad'te čepel šťouchadla na brambory na středový hrot a otáčením ve směru hodinových ručiček zjistěte, zda je šťouchadlo zcela sestaveno, a uslyšíte „cvaknutí“.
 3. Připevněte převodovku šťouchadla na brambory k hlavní části mixéru otáčením proti směru hodinových ručiček, dokud nezapadne na své místo.
- Šťouchadlo na brambory nikdy nepoužívejte v hrnci, který je na horkém povrchu.
 - Hrnec vždy odstavte z horkého povrchu a nechte jej mírně vychladnout.

* Pouze u některých modelů.

- Hrnec nebo mísu postavte na stabilní rovný povrch a podepřete je volnou rukou.
- Abyste dosáhli nejlepších výsledků, mísu nebo hrnec nikdy nenaplňujte více než do poloviny.
- Bez přerušení zpracovávejte nejvýše jednu dávku.

Šťouchadlo na brambory nepoužívejte déle než 1 minutu v kuse po dobu 5 minut.

Nástavec sekáčku*

[Obr. 7,8,9,10,11,12]

1. Skleněnou nádobu položte na čistý rovný povrch, horní čepel nasad'te na hřidel ve směru hodinových ručiček, dokud nezapadne na své místo.
2. Nasad'te sestavu hřídele čepele na čep vřetena nad skleněnou nádobu.
3. Potravinu nakrájejte na přiměřeně velké kusy a vložte je do skleněné nádoby. Větší kusy potravin by měly být nakrájeny na kusy přibližně 2x2x2 cm.
4. Nasad'te převodovku krytu na skleněnou nádobu a stisknutím ji zajistěte.
5. Nasad'te hlavní část mixéru ve směru hodinových ručiček na převodovku krytu, který je plně sestaven, a uslyšíte „cvaknutí“.
6. Mixér zapojte
7. Stisknutím spouštěcího tlačítka zvolte požadovanou rychlost pulzování.

Při obsluze držte hlavní část mixéru pevně tak, aby i společně se skleněnou nádobou držela na místě.

- Lehkým stisknutím spouštěcího tlačítka se mixér spustí při nízkých otáčkách.
- Pokud spouštěcí tlačítko stisknete více, bude mixér fungovat za vysokých otáček.
- Případně lze spouštěcí tlačítko na krátkou dobu stisknout, čímž dojde k pulzování.
- Tím se můžete vyhnout tomu, že potraviny budou nadměrně zpracovávány. Sekáček nechte běžet tak dlouho, dokud nedosáhnete požadovaného výsledku.
- Pokud chcete mixér vypnout, zcela uvolněte spouštěcí tlačítko, nejprve vyjměte čepele a poté vysypte potraviny.

Nepoužívejte nástavec sekáčku nepřetržitě déle než 30 sekund. Mezi jednotlivými 30sekundovými úkony nechte zařízení 1 minutu vychladnout.

Při demontáži jednotky postupujte opačně.

5. Čištění a údržba

VÝSTRAHA Před nasazením nebo sejmutím jakéhokoli příslušenství se ujistěte, že je hlavní část mixéru odpojena od elektrické sítě a že se čepele přestaly otáčet.

Než budete mixér mýt, rozeberte všechny díly. Hlavní část mixéru, převodovku šlehače, převodovku šťouchadla na brambory a převodovku krytu sekáčku **NEPONORUJTE** do vody nebo jiné tekutiny, čistěte je vlhkou houbou nebo hadříkem a otřete do sucha. Kovovou nohu můžete opláchnout pod tekoucí vodou.

S čepelemi zacházejte opatrně, jsou velmi ostré.

Následující díly/nástroje můžete vložit do myčky nádobí a vyčistit je tímto způsobem.

[Obr. 14]

- Nálevka
- Noha šlehače*
- Čepel šťouchadla na brambory*
- Horní čepel*
- Hřidel čepele*
- Skleněná nádoba*
- Protiskluzová podložka

Všechny díly musí být před uskladněním zcela vyčištěné a suché.

Sestavte spotřebič s nasazenými čepelemi, příslušenstvím sekáčku a hlavní částí mixéru.

Spotřebič skladujte v krabici nebo na čistém a suchém místě mimo dosah dětí.

6. Řešení problémů

1. Ruční mixér se během zpracování začne zpomalovat nebo pracovat.

Zkontrolujte, zda je dno hlavy motoru čisté a zda připojení na nádoby nebrání přítomné potraviny nebo zda v nádobě není příliš mnoho potravin.

Pokud se mixér přehřál, odpojte jej ze zásuvky a před dalším použitím počkejte přibližně 10 minut.

2. Potraviny se při zpracování příliš rozstříkují
Zpočátku zvolte nižší rychlost a postupně ji zvyšujte, zatímco směs houstne.

* Pouze u některých modelů.

Zvolte vhodnou velikost nádoby. Před zapnutím ponořte čepele do potravin.

3. Hlavní část mixéru se během provozu

zahřívá.

Před dalším použitím nechte mixér zcela vychladnout.

7. Technické údaje

Elektrické připojení	220-240V-50/60Hz
Zapnout	1000W

8. Důležité informace

Náhradní díly a spotřební materiály Haier

Vždy používejte originální náhradní díly společnosti Haier.

Získáte je u místního prodejce výrobků Haier nebo u servisních partnerů. Při objednávce dílů laskavě vždy uvádějte číslo modelu.

Kvalita

Kvalita výroby ve výrobních továrnách společnosti Haier byla posouzena nezávislou organizací. Naše výrobky jsou vyráběny podle systému jakosti, který splňuje požadavky ISO 9001.

Vaše záruka

Záruční podmínky pro tento vysavač stanovuje náš zástupce v zemi, v níž je prodáván. Přesné znění podmínek vám poskytne prodejce, u něhož jste si zařízení zakoupili. Při reklamaci podle těchto záručních podmínek je nutno předložit doklad o koupi nebo účtenku.

1. POKYNY PRE BEZPEČNÉ POUŽITIE

Tento spotrebič je určený iba na domáce použitie, ako je popísané v tejto používateľskej príručke. Pred použitím spotrebiča sa, prosím, uistite, že ste tejto príručke plne porozumeli.

UPOZORNENIE Aby ste vylúčili nebezpečenstvo udusenía malých detí, zlikvidujte všetky obalové materiály ihneď po vybratí výrobku.

Tento prístroj smú používať deti od 8 rokov vyššie. Osoby so zníženými fyzickými, zmyslovými alebo mentálnymi schopnosťami alebo s nedostatkom skúseností a znalostí smú tento prístroj používať, pokiaľ sú pod dohľadom alebo im boli dané pokyny týkajúce sa bezpečného používania a boli oboznámené s možnými rizikami.

Deti by mali byť pod dohľadom, uistite sa, že spotrebič nepoužívajú ani sa s ním nehrajú. Udržujte spotrebič a sieťový kábel mimo dosahu detí.

Tento spotrebič (so šľahačmi na smotanu a vajca) môžu používať deti od 8 rokov, ak sú pod dohľadom alebo boli poučené o bezpečnom používaní spotrebiča a dokážu pochopiť nebezpečenstvám, ktoré s ním súvisia. Čistenie a údržbu spotrebiča nesmú vykonávať deti, pokiaľ nie sú

staršie ako 8 rokov a sú pod dohľadom dospeléj osoby. Udržujte spotrebič a sieťový kábel mimo dosahu detí mladších ako 8 rokov. Neťahajte ani neprenášajte spotrebič ťahaním za sieťový kábel. Vždy odpájajte spotrebič zo zásuvky vyťahnutím zástrčky, nie kábla. Sieťový kábel nepokladajte na ostré hrany ani do blízkosti horúcich povrchov. Nepoužívajte predĺžovací kábel.

Ak je napájací kábel poškodený, okamžite prestaňte spotrebič používať. Aby nedošlo k ohrozeniu bezpečnosti, napájací kábel musí vymeniť autorizovaný servisný technik spoločnosti Haier.

Používajte len príslušenstvo, spotrebný materiál alebo náhradné diely odporúčané alebo dodávané spoločnosťou Haier.

UPOZORNENIE

Nebezpečenstvo zranenia! Nesprávne používanie spotrebiča môže spôsobiť úraz. **POZOR** Rezné čepele sú veľmi ostré, buďte opatrní pri manipulácii s reznými čepelami pri montáži a demontáži, vyprázdňovaní nádoby a pri čistení.

POZOR Pred vybratím z nádoby sa uistite, že je spotrebič

vypnutý. Spotrebič vždy odpojte z elektrickej siete ak je ponechaný bez dozoru, a tiež pred montážou, demontážou, čistením alebo v prípade poruchy.

Spotrebič používajte len v súlade so špecifikáciou jeho spotreby uvedenej na výrobnom štítku.

Spotrebič používajte iba na suchom rovnom povrchu a pri práci s ním nikdy nehýbte.

Tento spotrebič je určený iba na mixovanie alebo miešanie potravín s odporúčanou veľkosťou a množstvom podľa návodu. Nesmie sa používať na iný než určený spôsob použitia.

Nepoužívajte sklenenú nádobu ihneď po vybratí z umývačky riadu alebo chladničky. Pred použitím sa uistite, že zostane pri izbovej teplote aspoň 5 minút.

Spotrebič nepoužívajte, kým nie je jednotka s čepeľami bezpečne upevnená k mixéru a ponorená v ingredienciách. Buďte opatrní, ak do kuchynského robota alebo mixéra nalejete horúcu tekutinu, môže dôjsť k jej vyšplechnutiu v dôsledku vnútri vznikutej pary. Pri spracovaní horúcich potravín buďte opatrní, môžu vystreknúť.

Pred výmenou príslušenstva alebo priblížením sa k dielom, ktoré sa pri používaní

pohybujú, vypnite spotrebič a odpojte ho od napájania. Nepoužívajte spotrebič s napojením na externý časový spínač alebo na systém diaľkového ovládania.

Pred odstránením akýchkoľvek častí a pred čistením alebo akoukoľvek údržbou odpojte od napájacieho zdroja a nechajte rezné čepele úplne zastaviť.

Nikdy neponárajte časť s motorom do prísad počas používania ani ju nečistite pod tečúcou vodou. Neobsluhujte spotrebič mokkými rukami. Dbajte na čistotu povrchov, ktoré sú určené na styk s potravinami! Zoznámte sa prosím s informáciami o čistení, ktoré sú uvedené v návode.

Nepoužívajte zariadenie, pokiaľ vám pripadá chybné **Autorizované servisné stredisko Haier**: Pre zaistenie dlhého, bezpečného a účinného fungovania tohto spotrebiča odporúčame, aby všetky servisné úkony alebo opravy vykonával len autorizovaný servisný technik spoločnosti Haier.

Recept:

Zelenina/Ovocný džús (1 min zapnúť / 1 min vypnúť, maximálne 5 cyklov)

Mixovacia nádoba: 360 g mrkvy + 540 g voda

Medovo-maslová omáčka (5 s zapnúť / 2 min vypnúť, maximálne 3 cykly)
Sklenená nádoba sekáčika:
200 g Maslo + 300 g Med

Bábovky (maximálne 10 min)
Mixovacia nádoba: 720 g
vaječné bielka

Poznámka k receptu:

1) Pri každom použití by nasledujúci prevádzkový cyklus alebo čas a množstvo potravín nemali byť väčšie, ako je uvedené vyššie. Pri každom použití by nasledujúci prevádzkový cyklus alebo čas a množstvo potravín nemali byť väčšie, ako je uvedené vyššie.

2) Ak chcete prístroj zastaviť počas prevádzky, kedykoľvek uvoľníte tlačidlo spúšte ON/OFF.

Životné prostredie

Tento symbol na tomto zariadení označuje, že tento výrobok nesmie byť likvidovaný ako domový odpad. Zariadenie musí byť odovzdané do príslušného zberného miesta pre likvidáciu elektrických a elektronických zariadení. Likvidácia musí prebehnúť v súlade s miestnymi ekologickými predpismi pre likvidáciu odpadu. Pre podrobnejšie informácie o nakladaní so spotrebičom, jeho obnove a recyklácii sa obráťte na váš obecný úrad, odpadkovú službu pre domácnosti a alebo obchod, kde ste spotrebič zakúpili.



Tento spotrebič je v súlade s európskymi smernicami 2014/35/EÚ 2014/30/EÚ a 2011/65/EÚ.

CANDY HOOVER GROUP S.r.l. Via Comolli 16, 20861 Brugherio(MB), ITALY

2. Spoznajete svoj ručný mixér

- A. Spúšťacie tlačidlo ZAP./VYP.
- B. Hlavné telo
- C. Kovová noha
- D. Mixovacia nádoba
- E. Prevodovka šlahacej metly*
- F. Dvojité šlahacie metla*
- G. Prevodovka drviča na zemiaky*
- H. Noha drviča na zemiaky*
- I. Nôž drviča na zemiaky*
- J. Prevodovka krytu sekáčika*
- K. Horný nôž sekáčika*
- L. Hriadel' noža sekáčika*
- M. Sklenená nádoba sekáčika*
- N. Čap na hriadel'
- O. Protišmyková podložka

3. Pred prvým použitím

Pred prvotným použitím dôkladne vyčistíte časti spotrebiča a príslušenstva, ktoré prichádzajú do kontaktu s potravinami. (Bližšie informácie o čistení nájdete v Kapitole 5)

- Vložte potraviny do mixovacej alebo podobnej nádoby a pevne ju uchopte.
- Nenaplnajte mixovaciu nádobu nad indikátor množstva. Aby ste zabránili špliechaniu, vložte pred zapnutím spodok noža do spracovávaných potravín. Vždy sa uistite, že počas spracovania je spodná časť noža úplne ponorená v ingredienciách.
- Sklenenú nádobu sekáčika nenaplnajte viac ako do polovice, aby ste dosiahli efekt lepšieho premiešavania.

* Len pre určitý model.

- Do potravín ponárajte len kovovú nohu, ale nepresahujte kovové časti, inak hrozí úraz elektrickým prúdom!
- Do sklenenej nádoby nevkladajte žiadne kovové predmety.
- Nemixujte kúsky ingrediencií väčšie ako 2x2x2 cm.
- Kovový hriadel' a šľahacia metla môžu poškriabať alebo poznačiť neprílnavé povrchy. Nepoužívajte riad s neprílnavým povrchom.
- Nepoužívajte žiadnu časť v mikrovlnnej rúre ani ju do nej nevkladajte.
- Aby ste zaistili dlhú životnosť, nepoužívajte ručný mixér s ťažkými zmesami. Ak sa hlavné teleso prehreje, odpojte spotrebič zo siete a pred ďalším použitím ho nechajte približne 10 minút vychladnúť.
- Na spodok mixovacej nádoby a sklenenej nádoby sekáčika možno umiestniť protišmykovú podložku.

4. Používanie vášho ručného mixéra

Regulácia výkonu [Obr. 13]

Stlačením spúšťacieho tlačidla ZAP./VYP. vyberte a nastavte požadovanú rýchlosť.

Na dosiahnutie nízkych otáčok stlačte spúšťacie tlačidlo ľahko.

Na dosiahnutie vysokých otáčok stlačte spúšťacie tlačidlo pevne.

Dokonalo sa hodí na prípravu dipov, omáčok, šalátových dresingov, polievok, detskej výživy, ako aj nápojov, ovocných a mliečnych koktailov, je vhodný aj na mixovanie tuhých potravín, napr. surového ovocia a zeleniny.

Kovová noha [Obr. 1]

Kovovú nohu pripevnite k hlavnému telesu otáčaním proti smeru hodinových ručičiek, po úplnom namontovaní budete počuť „kliknutie“.

- Ak používate spotrebič na prípravu pyré

z horúcich potravín v rajnici alebo v hrnci, odstráňte rajnicu alebo hrniec zo zdroja tepla a uistite sa, že tekutina nevrie. Horúce potraviny nechajte mierne vychladnúť, aby ste predišli riziku popálenia.

- Ak ručný mixér nepoužívate, nenechávajte ho na horúcej panvici alebo v hrnci položenom na varnej doske.
- Nepoužívajte kovovú nohu dlhšie ako 1 minútu v priebehu 4 minút.

Dvojité šľahacia metla* [Obr. 2,3]

1. Vložte nohy šľhacej metly do prevodovky šľhacej metly, po úplnom namontovaní budete počuť „kliknutie“.
 2. Nasadte prevodovku šľhacej metly na hlavné teleso otáčaním proti smeru hodinových ručičiek, po úplnom namontovaní budete počuť „kliknutie“.
- Šľhaciu metlu používajte len na šľahanie smotany, šľahanie vaječných bielkov, prípravu piškótovej torty a dezertov v prášku.
 - Aby ste zabránili vyšplechnutiu, začnite pomaly a v hlbokých nádobách používajte šľhací nadstavec.
 - Nepoužívajte šľhaciu metlu dlhšie ako 3 minúty v priebehu 10 minút.

Drvič na zemiaky* [Obr. 4,5,6]

Môže sa použiť na roztlačenie varených zemiakov.

1. Nasadte prevodovku drviča na zemiaky na nohu drviča na zemiaky otáčaním v smere hodinových ručičiek, po úplnom namontovaní budete počuť „kliknutie“.
 2. Nasadte nôž drviča na zemiaky na stred otáčaním v smere hodinových ručičiek, po úplnom namontovaní budete počuť „kliknutie“.
 3. Nasadte prevodovku drviča na zemiaky na hlavné teleso otáčaním proti smeru hodinových ručičiek, kým sa nezaistí na mieste.
- Drvič na zemiaky nikdy nepoužívajte v hrnci na priamom ohni.

* Len pre určitý model.

- Vždy odstráňte hrniec z ohňa a nechajte ho mierne vychladnúť.
- Hrniec alebo misu postavte na stabilný, rovný povrch a podoprite ju voľnou rukou.
- Aby ste dosiahli čo najlepšie výsledky, nikdy nenapĺňajte hrniec alebo misu potravinami viac ako do polovice.
- Nespracovávajte viac ako jednu dávku bez prerušenia.

Drvič na zemiaky nepoužívajte dlhšie ako 1 minútu v priebehu 5 minút.

Sekací nadstavec*

[Obr. 7,8,9,10,11,12]

1. Sklenenú nádobu položte na čistý, rovný povrch, horný nôž nasad'te na hriadel' noža v smere hodinových ručičiek, kým sa nezaistí na mieste.
2. Nasad'te zostavu hriadela noža na čap a nad sklenenú nádobu.
3. Potraviny nakrájajte na primerane veľké kúsky a vložte ich do sklenenej nádoby. Väčšie kusy potravín by sa mali nakrájať na približne 2x2x2 cm kúsky.
4. Nasad'te prevodovku krytu na sklenenú nádobu a stlačením ju zaistíte na mieste.
5. Nasad'te hlavné teleso v smere hodinových ručičiek na prevodovku krytu, po úplnom namontovaní budete počuť "kliknutie".
6. Zapojenie
7. Stlačením spúšťacieho tlačidla nadol vyberte požadovanú rýchlosť pulzovania.

Pri používaní pevne držte hlavné teleso aj sklenenú nádobu.

- Na dosiahnutie nízkych otáčok stlačte spúšťacie tlačidlo ľahko.
- Na dosiahnutie vysokých otáčok stlačte spúšťacie tlačidlo pevne.
- Ďalšou možnosťou je stlačiť spúšťacie tlačidlo na krátky čas, aby sa docielilo pulzovanie.
- Tým sa dá predísť nadmernému spracovaniu potravín. Sekáčik takto ovládajte, kým nedosiahnete požadovaný výsledok.
- Ak chcete zariadenie vypnúť, poriadne uvoľnite spúšťacie tlačidlo, najprv vyberte nože a potom vysypte zmes.

Nepoužívajte sekací nadstavec nepretržite dlhšie ako 30 sekúnd. Medzi každým 30-sekundovým použitím nechajte 1 minútu vychladnúť.

Na demontáž jednotky použite opačný postup.

5. Čistenie a údržba

POZOR: Pred nasadením alebo odobratím akéhokoľvek príslušenstva sa uistite, že je hlavné teleso odpojené od elektrickej siete a že sa nože prestali otáčať.

Pred umývaním rozoberte všetky časti.

Hlavné teleso, prevodovku šľahacej metly, prevodovku drviča na zemiaky a prevodovku krytu sekáčika **NEPONÁRAJTE** do vody alebo inej tekutiny, čistite ich vlhkou špongiou alebo handričkou a utrite do sucha.

Kovovú nohu môžete opláchnuť pod tečúcou vodou.

S nožmi zaobchádzajte opatrne, sú veľmi ostré.

Nasledujúce časti/náradie môžete vložiť do umývačky riadu, aby ste ich/ho vyčistili.

[Obr. 14]

- Mixovacia nádoba
- Noha šľahacej metly*
- Nôž drviča na zemiaky*
- Horný nôž*
- Hriadel' noža*
- Sklenená nádoba*
- Protišmyková podložka

Všetky diely musia byť pred uskladnením úplne vyčistené a suché.

Spotrebič znovu zmontujte z nožov, sekacích nadstavcov a hlavného telesa.

Spotrebič skladujte v krabici alebo na čistom a suchom mieste mimo dosahu detí.

6. Riešenie problémov

1. Ručný mixér sa počas používania začne spomaľovať alebo sa zhorší jeho výkon.

Skontrolujte, či je dno hlavy motora čisté a či pri nasadzovaní na nádoby neblokujú pripojenie potraviny alebo či nie je v nádobe príliš veľa potravín.

Ak sa zariadenie prehrialo, odpojte ho zo zásuvky a počkajte približne 10 minút pred ďalším použitím.

2. Nadmerné špliechanie počas používania
Najskôr zvolte nižšie otáčky a zvyšujte ich, až keď zmes zhustne.

* Len pre určitý model.

Vyberte vhodnú veľkosť nádoby. Nože ponorte do potravín pred zapnutím zariadenia.

3. Hlavné teleso sa počas používania zahrieva. Pred ďalším použitím nechajte zariadenie úplne vychladnúť.

7. Technické dáta

Elektrické pripojenie	220-240V-50/60Hz
Výkon	1000W

8. Dôležitá informácia

Náhradné Diely a Spotrebný Materiál Haier

Vždy nahrádzajte diely originálnymi náhradnými dielmi od spoločnosti Haier.

Získate ich u miestneho predajcu výrobkov Haier alebo u servisných partnerov. Pri objednávaní náhradných dielov láskavo vždy uvádzajte číslo modelu.

Kvalita

Kvalita v továrňach spoločnosti HAIER bola nezávisle posúdená. Naše výrobky sú vyrobené s využitím systému kvality, ktorý spĺňa požiadavky normy ISO 9001.

Vaša záruka

Záručné podmienky pre tento spotrebič sú definované našim zástupcom v krajine, v ktorej sa predáva. Presné znenie podmienok vám poskytne predajca, u ktorého ste si zariadenie zakúpili. Pri reklamácií podľa týchto záručných podmienok je nutné predložiť doklad o kúpe alebo účtenku.

1. GÜVENLİ KULLANIM TALİMATLARI

Bu cihaz, bu kullanma kılavuzunda açıklandığı gibi yalnızca ev içi kullanım için tasarlanmıştır. Lütfen ürünü kullanmadan önce bu kılavuzun tam olarak anlaşıldığından emin olun. **UYARI** Küçük çocuklar için boğulma tehlikesini ortadan kaldırmak için, ürünü çıkardıktan sonra tüm ambalaj malzemelerini hemen atın. Bu cihaz, gözetim altında olduklarında ya da cihazın güvenli kullanımı ile ilgili bilgi aldıklarında ve ilgili tehlikeleri anladıklarında, fiziksel, hissi ya da ruhsal yeterlilikleri düşük kişiler veya deneyimsiz ve bilgisiz kişiler tarafından kullanılabilir. Çocuklar, cihazı kullanmadıklarından veya cihazla oynamadıklarından emin olmak için gözetim altında tutulmalıdır. Cihazı ve kablosunu çocukların erişemeyeceği yerde saklayın. Bu cihaz (krema sifonu, yumurta çırpıcı aksesuarla birlikte), gözetim altında oldukları veya kendilerine cihazın güvenli bir şekilde kullanımıyla ilgili talimat verildiği ve ilgili tehlikeleri anladıkları takdirde 8 yaşından büyük çocuklar tarafından kullanılabilir. Temizlik ve kullanıcı bakımı, 8 yaşından

büyük ve gözetim altında olmayan çocuklar tarafından yapılmamalıdır. Cihazı ve kablosunu 8 yaşından küçük çocukların erişemeyeceği yerde saklayın. Cihazı elektrik kablosundan çekmeyin veya taşımayın. Cihazın fişini her zaman kablosu yerine fişinden çekerek prizden çıkarın. Elektrik kablosunu keskin kenarların üzerine veya sıcak yüzeylerin yakınına koymayın. Uzatma kablosu kullanmayın. Güç kablosu hasar görürse cihazı kullanmayı derhal bırakın. Güvenliğin riske atılmaması için, elektrik kablosu mutlaka yetkili Haier servis teknisyeni tarafından değiştirilmelidir. Yalnızca Haier tarafından önerilen veya sağlanan aparatları, malzemeleri ve yedek parçaları kullanın. **UYARI** Yaralanma riski! Cihazın yanlış kullanımı potansiyel olarak yaralanmaya yol açabilir. **DİKKAT** Kesici bıçaklar çok keskindir, keskin bıçakları takarken ve sökerken, sürahiyi boşaltırken ve temizlik sırasında dikkatli olun. **DİKKAT** Sürahidenden çıkarmadan önce cihazın kapalı olduğundan ve

çalışmadığından emin olun. Cihazın fişini gözetimsiz bırakılırsa ve monte ve demonte etmeden ve temizlemeden önce veya bir hata durumunda daima ana prizden çekin. Cihazı yalnızca anma değeri plakasındaki güç özelliklerine uygun olarak kullanın. Cihazı yalnızca kuru ve düz bir yüzeyde kullanın ve çalışırken asla hareket ettirmeyin. Cihaz yalnızca talimatlarda tavsiye edilen boyut ve miktardaki yiyecekleri parçalamak veya karıştırmak için tasarlanmıştır. Kullanım amacı dışında kullanılmamalıdır. Cam sürahiyi bulaşık makinesinden veya buzdolabından çıkardıktan hemen sonra kullanmayın. Kullanmadan önce en az 5 dakika oda sıcaklığında beklediğinden emin olun. Bıçak birimi düzgün takılana ve içeriğe daldırılana kadar cihazı çalıştırmayın. Ani buhardan dolayı cihazdan çıkabileceğinden mutfak robotu veya blendera sıcak sıvı dökülürse dikkatli olun. Sıçrayabilecek sıcak gıdaları işlerken dikkat edin. Aksesuarları değiştirmeden veya kullanım sırasında hareket eden parçalara yaklaşımadan önce cihazı

kapatın ve güç kaynağıyla bağlantısını kesin. Cihazı harici bir zamanlayıcı veya ayrı bir uzaktan kumanda sistemiyle çalıştırmayın. Herhangi bir parçayı çıkarmadan ve temizlik ya da bakım yapmadan önce güç kaynağıyla bağlantısını kesin ve kesici bıçakların tamamen durmasını sağlayın. Motor tabanını kullanım halindeyken asla içeriğe daldırmayın veya sıcak suda temizlemeyin. Cihazı ıslak ellerinizle çalıştırmayın. Gıda maddeleriyle temas ekmek için tasarlanmış yüzeyleri temizlemeye dikkat edin! Lütfen talimatlardaki temizlik bilgilerine dikkat edin. Arızalı görünüyorsa cihazınızı kullanmaya devam etmeyin. **Haier teknik servisi:** Cihazın her zaman güvenli ve verimli bir şekilde kullanılabilmesi için, her türlü bakım veya onarım işinin sadece yetkili Haier servis teknisyenleri tarafından yapılmasını öneririz.

Tarif:

Sebze/Meyve suyu (1 dak. açık / 1 dak. kapalı , maksimum 5 döngü)
Doğrama kabı: 360 g havuç + 540 g su

Ballı tereyağı sosu (5 san.
açık / 1 dak. kapalı ,
maksimum 3 döngü)
Doğrayıcı cam sürahisi: 200 g
Tereyağı + 300 g Bal

Pandispanya (maksimum 10
dak.)

Doğrama kabı: 720 g
yumurtanın beyaz kısımları

Tariflerle ilgili not:

1) Her bir kullanım için arka arkaya çalışma döngüsü veya zaman ve yiyecek miktarı yukarıda belirtilenden fazla olmamalıdır. Sonraki çalışma döngüsünü yürütmeden önce ünitenin oda sıcaklığına soğuması için en az 10 dakikalık dinlenme süresi sağlanmalıdır.

2) Çalışma sırasında makineyi durdurmak isterseniz AÇMA/ KAPAMA tetik düğmesini istediğiniz zaman serbest bırakın.

Çevre

Bu aygıttaki sembol aygıtın ev atığı gibi işlem yapılamayacağını belirtir. Bunun yerine uygun elektrikli ve elektronik ekipman geri dönüşüm toplama noktasına teslim edilmelidir. İmha, atık imhası için düzenlenen yerel çevre yönetmeliklerine uygun olarak yapılmalıdır. Bu aygıtın ait işlem, kurtarma ve geri dönüşümü ilgili daha ayrıntılı bilgi için, lütfen yerel şehir ofisiniz, ev atığı ve çöp atma servisiniz ya da aygıtı satın aldığınız mağaza ile irtibata geçin.



C E Bu cihaz, 2014/35/EU, 2014/30/EU ve 2011/65/EU sayılı Avrupa Direktifleri ile uyumludur.

CANDY HOOVER GROUP S.r.l. Via Comolli 16, 20861 Brugherio(MB), ITALY

2. El blenderinizi tanıyın

- A. AÇMA/KAPAMA Tetik düğmesi
- B. Ana gövde
- C. Metal ayak
- D. Doğrama kabı
- E. Çırpma teli dişli kutusu*
- F. İkili çırpma teli*
- G. Patates ezici dişli kutusu*
- H. Patates ezici ayağı*
- I. Patates ezici bıçağı*
- J. Doğrayıcı kapağının dişli kutusu*
- K. Doğrayıcı üst bıçağı*
- L. Doğrayıcı bıçağı gövdesi*
- M. Doğrayıcı cam sürahisi*
- N. Mil dişlisi
- O. Kaydırmaz ped

3. İlk kullanımdan önce

Cihazı ve aksesuarlarını ilk kez kullanmadan önce gıdayla temas eden parçalarını iyice temizleyin. (Temizleme ayrıntıları Bölüm 5'e bakın)

- Yiyeceği doğrama kabına veya benzer bir kaba koyun, ardından doğrama kabını sabit tutun.
- Doğrama kabını göstergelerden daha fazla doldurmayın. Sıçramayı önlemek için çalıştırmadan önce bıçak tabanını işlem yapılacak yiyeceğin içine yerleştirin. İşlem sırasında her zaman bıçak tabanının alt kısmının malzemelerin içine tamamen batırıldığından emin olun.
- Daha iyi karıştırmak için doğrayıcının cam kasesini yarıdan fazla doldurmayın.

* Sadece bazı modeller için.

- Sadece metal ayađı yiyeceđin iine daldırın ancak metal paraları gemeyin, aksi takdirde elektrik arpması riski vardır!
- Cam srahinin iine herhangi bir metal nesne koymayın.
- 2x2x2 cm'den byk malzeme paralarını karıřtırmayın.
- Metal karıřtırma gvdesi ve ırpma teli yapıřmaz kaplamaları izebilir veya kazıyabilir. Yapıřmaz piřirme kaplarında kullanmayın.
- Herhangi bir parayı mikrodalgada kullanmayın veya iine yerleřtirmeyin.
- Uzun mrl olmasını sađlamak iin el blenderini ađır karıřımlarla kullanmayın. Ana gvde ařır ısırsa, cihazın fiřini ekin ve tekrar kullanmadan nce yaklaşık 10 dakika sođumasını bekleyin.
- Kaydırmaz ped, kaymaması iin dođrama kabının ve dođrayıcı cam srahisinin altına yerleřtirilebilir.

4. El Blenderinin Kullanımı

Gc kontrol [řek. 13]

Gereken hızı semek ve ayarlamak iin AMA/KAPAMA tetik dđmesine basın.

Dřk hız elde etmek iin tetik dđmesine hafife basın.

Yksek hız elde etmek iin tetik dđmesine srekli basın.

Dip soslar, soslar, salata sosları, orbalar ve bebek mamalarının yanı sıra iecekler, smoothieler ve milkshakeler hazırlamak iin ok uygundur, ayrıca iđ meyve ve sebzeler gibi sert yiyecekleri karıřtırmak iin de uygundur.

Metal ayak [řek. 1]

Metal ayađı saat ynn tersine evirerek ana gvdeye takın, tam olarak monte edildiđinde bir "klik" sesi duyarsınız.

- Cihazı bir tencere veya kaptaki sıcak yiyecekleri pre haline getirmek iin

kullanıyorsanız, tencereyi veya kabı ısı kaynađından alıp sıvının kaynamadıđından emin olun. Yanma riskini nlemek iin sıcak yiyecekleri hafife sođumaya bırakın.

- El blenderini kullanılmadıđı zamanlarda ocak zerindeki sıcak bir tava veya tencerenin iinde bekletmeyin.
- Metal ayađı herhangi bir 4 dakikalık sre iinde 1 dakikadan fazla kullanmayın.

İkili ırpma teli* [řek. 2,3]

1. ırpma teli ayaklarını ırpma teli diřli kutusunun deliđine yerleřtirin, tam olarak monte edildiđinde bir "klik" sesi duyarsınız.
 2. ırpma teli diřli kutusunu saat ynn tersine evirerek ana gvdeye takın, tam olarak monte edildiđinde bir "klik" sesi duyarsınız.
- ırpma telini sadece krema ırpma, yumurta akı ırpma, kek ve hazır karıřım tatlılar yapmak iin kullanın
 - Sıramayı nlemek iin yavařa bařlayın ve derin kaplarda ırpma teli aparatını kullanın.
 - ırpma telini herhangi bir 10 dakikalık sre iinde 3 dakikadan fazla kullanmayın.

Patates ezici* [řek. 4,5,6]

Hařlanmış patatesleri ezmek iin kullanılabilir.

1. Patates ezici diřli kutusunu saat ynnde evirerek patates ezici ayađına takın, tam olarak monte edildiđinde bir "klik" sesi duyarsınız.
 2. Patates ezici bıađını merkezi gbeđin zerine yerleřtirin ve oturtmak iin saat ynnde verin, tam olarak monte edildiđinde bir "klik" sesi duyarsınız.
 3. Patates ezici diřli kutusunu, yerine kilitlene kadar saat ynn tersine evirerek ana gvdeye takın.
- Patates eziciyi dođrudan ateřteki bir tencere iinde asla kullanmayın.
 - Tencereyi her zaman ocaktan alın ve hafife sođumaya bırakın.
 - Tencereyi veya kaseyi sabit, dz bir yzeyeye

* Sadece bazı modeller iin.

oturtun ve serbest elinizle destekleyin.

- Ezme işleminde en iyi sonucu elde etmek için bir tencereyi veya kaseyi asla yarıdan fazla doldurmayın.
- Kesintisiz olarak birden fazla parti için işlem yapmayın.

Patates eziciyi herhangi bir 5 dakikalık süre içinde 1 dakikadan fazla kullanmayın.

Doğrayıcı aparatı*

[Şek. 7,8,9,10,11,12]

1. Cam sürahiyi temiz, düz bir yüzeye yerleştirin, üst bıçağı yerine kilitlenene kadar bıçak gövdesi üzerine saat yönünde monte edin.
2. Bıçak gövdesi tertibatını cam sürahinin üzerindeki mil dişlisine takın.
3. Yiyecekleri uygun büyüklükte parçalara ayırın ve cam sürahiye yerleştirin. Daha büyük yiyecek parçaları, yaklaşık 2x2x2 cm'lik parçalara ayrılmalıdır.
4. Kapağın dişli kutusunu cam sürahinin üzerine takın ve yerine kilitlemek için bastırın.
5. Ana gövdeyi kapağın dişli kutusuna saat yönünde takın, tam olarak monte edildiğinde bir "klik" sesi duyarsınız.
6. Fişi prize takın
7. İstenen darbe hızını seçmek için tetik düğmesine basın.

Ana gövdeyi çalıştırırken, üzerinde ve cam sürahiyi sıkıca tutun.

- Düşük hız elde etmek için tetik düğmesine hafifçe basın.
- Yüksek hız elde etmek için tetik düğmesine sürekli basın.
- Alternatif olarak, tetik düğmesine kısa sürelerle basılarak darbeleri bir hareket elde edilebilir.
- Bu, yiyeceklerin aşırı işlenmesini önlemek için kullanılabilir. İstenilen sonuç elde edilene kadar doğrayıcıyı çalıştırın.
- Kapatmak için tetik düğmesini gevşetin, önce bıçakları çıkarın, ardından yiyecekleri boşaltın.

Doğrayıcı aparatını sürekli olarak 30 saniyeden uzun süre çalıştırmayın. Her 30 saniyelik işlem arasında 1 dakika soğumaya bırakın.

Üniteyi sökmek için yukarıdaki prosedürü tersine çevirin.

* Sadece bazı modeller için.

5. Temizlik ve Bakım

DİKKAT: Herhangi bir aksesuarı takmadan veya çıkarmadan önce, ana gövdenin elektrik fişinin çekili olduğundan ve bıçakların dönmeyi durdurduğundan emin olun.

Yıkamadan önce tüm parçaları sökün.

Ana gövdeyi, çırpma teli dişli kutusunu, patates ezici dişli kutusunu ve doğrayıcı kapağının dişli kutusunu suya veya başka bir sıvıya **DALDIRMAYIN**, nemli bir sünger veya bezle temizleyin ve silerek kurulayın.

Metal ayak, akan su altında durulanabilir.

Çok keskin olduklarından bıçakları dikkatli tutun.

Aşağıdaki parçaları/aletleri temizlemek için bulaşık makinesine koyabilirsiniz.

[Şek. 14]

- Doğrama kabı
- Çırpma teli ayağı*
- Patates Ezici Bıçağı*
- Üst bıçak*
- Bıçak gövdesi*
- Cam sürahi*
- Kaydırmaz ped

Saklanmadan önce tüm parçalar tamamen temizlenmeli ve kurutulmalıdır.

Bıçaklar, doğrayıcı aksesuarları ve ana gövde yerinde olacak şekilde cihazı monte edin.

Cihazı kutusunda veya çocukların ulaşamayacağı temiz, kuru bir yerde saklayın.

6. Sorun Giderme

1. El blenderi işlem sırasında yavaşlamaya veya zorlanmaya başlıyor.

Motor kafasının alt kısmının temiz olduğunu ve kaplara yerleştirirken bağlantıyı engelleyen yiyecek olmadığını veya kapta çok fazla yiyecek olmadığını kontrol edin.

Ünite aşırı ısınmışsa, fişi çekin ve tekrar kullanmadan önce yaklaşık 10 dakika bekleyin.

2. İşlem sırasında aşırı sıçrama

Başlangıçta daha düşük bir hız seçin ve karışım yoğunlaştıkça hızı artırın.

Uygun büyüklükte bir kap seçin. Çalıştırmadan önce bıçakları yiyeceğin içine yerleştirin.

3. Ana gövde çalışırken ısınıyor.

Tekrar kullanmadan önce ünitenin tamamen soğumasını bekleyin.

7. Teknik özellikler

Elektrik bağlantısı	220-240V-50/60Hz
Güç	1000W

8. Önemli bilgiler

Haier Yedek Parçaları ve Sarf Malzemeleri
Parçaları daima orijinal Haier parçaları ile değiştirin.

Bu parçaları Haier servislerinden tedarik edebilirsiniz. Parça siparişi verirken mutlaka cihazın model numarasını belirtin.

Kalite

Haier fabrikalarının kalitesi bağımsız olarak takdir almıştır. Ürünlerimiz, ISO 9001 gereksinimlerini içeren bir kalite sistemi kullanılarak üretilmektedir.

GARANTİNİZ

Bu cihaz için garanti koşulları, cihazın satıldığı ülkedeki temsilcimiz tarafından tanımlanmaktadır. Bu koşullara ilişkin ayrıntılar cihazın satın alındığı bayiden edinilebilmektedir. Bu garanti koşulları altında yapılan talepte satış fişi(faturası) ve makbuzu ibraz edilmiş olmalıdır.

Printed in P.R.C.
Part no. 48700503/01