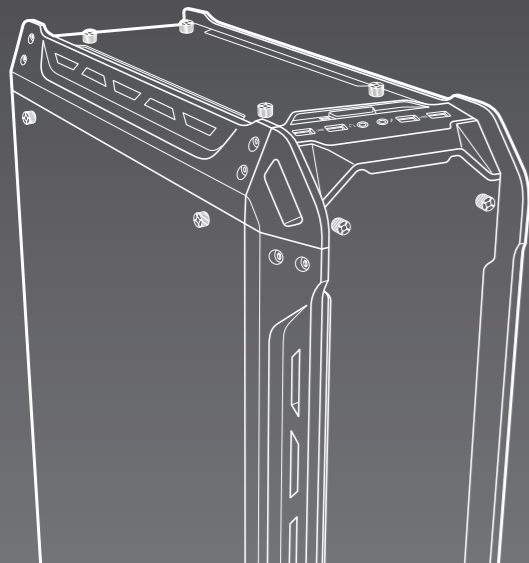




REAL GEAR FOR REAL GAMERS

COUGAR Gaming case



PANZER-G

TEMPERED GLASS GAMING MID-TOWER



COUGAR Facebook



TEMPERED GLASS GAMING MID-TOWER

Panzer-G is the ideal case for everybody who wants both great functionality and impressive aesthetics. Combining a transparent design covered in tempered glass with plenty of space for your components and a well-thought pro-cooling structure, this wonder is COUGAR's vision for the future of mainstream gaming PC cases.

Case Type	Middle Tower
Motherboard Type	Mini ITX Micro ATX / ATX CEB
Dimensions (WxHxD)	208mm x 565mm x 520mm
Case Drive Bays	3.5" : 2 2.5" : 4+2 (converted from 3.5" drive bays)
Expansion slots	7
I/O Panel	USB3.0 x 2 USB2.0 x 2 Mic x 1 Audio x 1
Total Fan	Max. 8
Cooling Fans	Front : LED 120mm x 3 (pre-installed) / 140mm x 2 Top : 120mm x 3 / 140mm x 2 Rear : 120mm x 1 Bottom : 120mm x 1
Fan Pre-installed	Front : 120mm LED fan x 3
Water Cooling Support	Front : 360/280/240/140/120mm Top : 360/280/240/140/120mm Rear : 120mm x 1 Bottom : 120mm x 1
Max. Graphic Card Length	425mm
Max. CPU Cooler Height	160mm
PSU	Standard ATX PS2

Specifications may vary based on different regions

COUGAR USA Technical Service
Tel: (833) 256-3778
Mail: rma@compucaseusa.com
https://cougargaming.com/support/contact/upload/

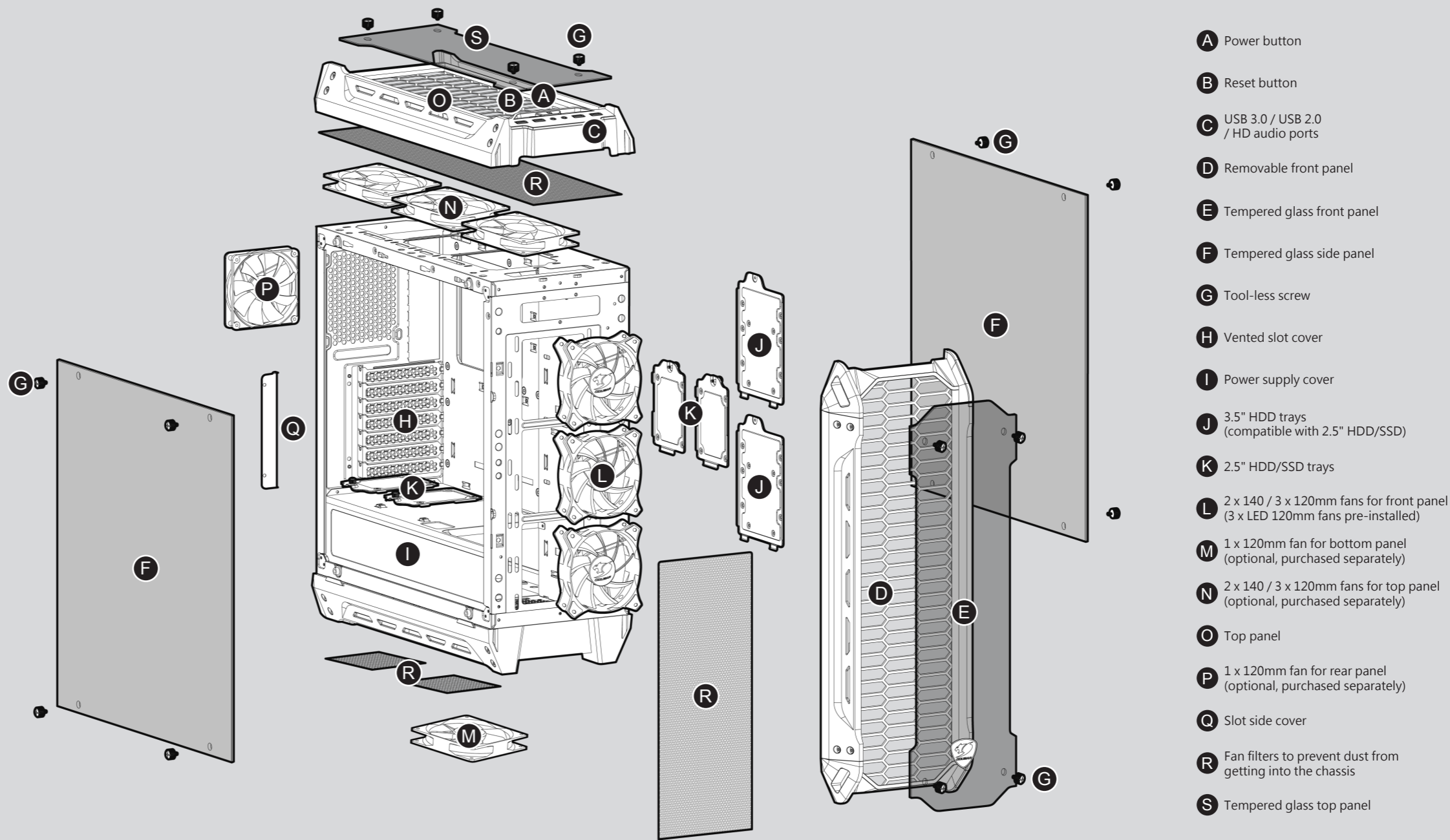
For more information, please visit
www.cougargaming.com
Compucase Enterprise Co.,Ltd.
All rights reserved.

Compucase Enterprise Co.,Ltd.
No. 225, Lane 54, An Ho Road Sec. 2 Tainan, Taiwan, R.O.C
Tel:+886-6-356-0606
Service E-Mail:service@cougargaming.com



Made in China

Assembly Drawing



FEATURES

ENGLISH

- 4 Tempered Glass Covers (Front/Top/Left/Right)
- Support for 4 Motherboard Form Factors (Mini ITX / Micro ATX / ATX / CEB)
- Up to 3 Double-Slot 425mm Graphics Cards
- Up to 8 Fans and 4 Water Cooling Radiators

SUPERB DESIGN

You invest quite a lot of money in your PC components; it is now the time to see them in their full glory. With four (front/top/left/right) tempered glass covers and an attractively designed structure, Panzer-G brings PC case aesthetics to a wholly new level.

LOADS OF SPACE

Panzer-G is not only gorgeous; it is also a future-proof case that will house most of your current components as well as virtually anything you might want to install in the future. Four different motherboard form factors (Mini ITX / Micro ATX / ATX / CEB), up to three double-slot 425mm graphics cards and loads of storage devices can fit into this marvelous case.

COOLING

To cool all your powerful components, Panzer-G supports up to eight fans and four radiators for water cooling, while its internal structure minimizes cable clutter and helps airflow. Play without fear of overheating with Panzer-G!

CONVENIENT

This is not only a great looking and fully featured mid-tower; it is also a terribly convenient way to house your computer. With tool-less removal of its four glass covers, installing new components to keep your gaming rig up to date is easy and fast!

DEUTSCH

- 4 Abdeckungen aus Hartglas (vorne/oben/links/rechts).
- Unterstützt 4 verschiedene Motherboard-Formfaktoren (bis E-ATX).
- Bis zu 3 Doppelsteckplatz-425-mm-Grafikkarten.
- Bis zu 8 Lüfter und 4 Flüssigkühler.

РУССКИЙ

- 4 боковые стенки из закаленного стекла (спереди / сверху / слева / справа)
- Поддержка 4 различных форм-факторов материнской платы (до CEB)
- До 3 видеокарт с двумя слотами длиной до 425 мм
- До 8 вентиляторов и 4 радиаторов водяного охлаждения

日本語

- 4面強化ガラスパネル採用 (フロント・トップ・左右両サイド)
- 4種類のマザーボードフォームファクタ (最大CEBまで) に対応できます
- 最大3つのダブルスロットの425mmグラフィックスカードに対応できます
- 最大8つのファンと4つの水冷ラジエーターを搭載可能です

한국어

- 4 개의 강화 유리 커버 (앞 / 위 / 왼쪽 / 오른쪽)
- 4 가지 메인보드 폼 팩터 (CEB까지) 지원.
- 최대 3 개의 이중 슬롯 425mm 그래픽 카드
- 최대 8 개의 팬과 4 개의 수냉식 냉각기.

ESPAÑOL

- 4 cubiertas de vidrio templado (frontal/superior/izquierda/derecha).
- Soporta 4 formatos diferentes de placa madre (hasta CEB).
- Hasta 3 tarjetas gráficas de doble ranura de 425mm.
- Hasta 8 ventiladores y 4 radiadores de refrigeración líquida.

FRANÇAIS

- 4 couvercles en verre trempé (avant/supérieur/gauche/droite)
- Prise en charge pour 4 facteurs de forme du carte mère différents (jusqu'à CEB)
- Jusqu'à 3 cartes graphiques à double fente 425 mm
- Jusqu'à 8 ventilateurs et 4 radiateurs de refroidissement par eau

中文

- 四面钢化玻璃侧盖(前/上/左/右)
- 支援4种规格尺寸的主机板(适用CEB最大尺寸)
- 支援3组高达425公厘的显卡双插槽
- 支援高达8个风扇和4个水冷散热器

PORTUGUÊS

- 4 tampas de vidro temperado (frontal / superior / esquerda / direita).
- Suporta 4 formatos diferentes de placa-mãe (até CEB)
- Até 3 placas de vídeo de slot duplo de até 425mm de comprimento.
- Até 8 ventoinhas e 4 radiadores de resfriamento líquido.

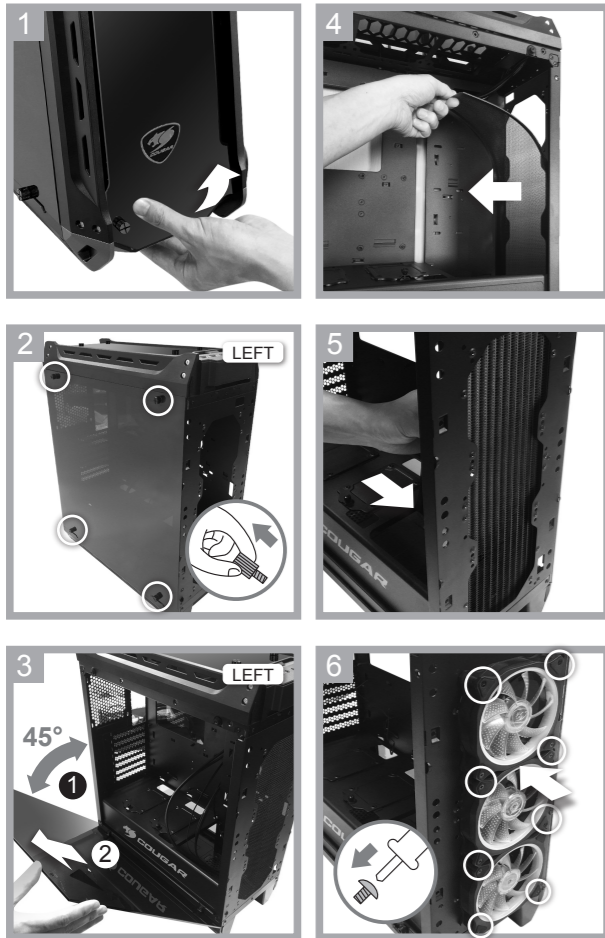
ITALIANO

- 4 pannelli in vetro temperato (Anteriore / superiore / sinistra / destra)
- Supporta 4 differenti tipi di schede madri (fino a CEB)
- Fino a 3 slot doppi per schede video da 425mm
- Fino a 8 ventole e 4 dissipatori a liquido.

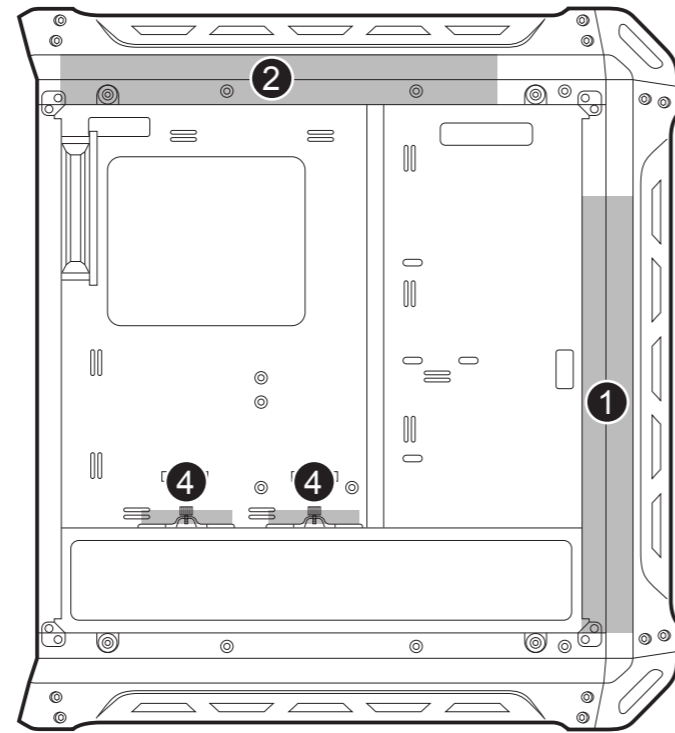
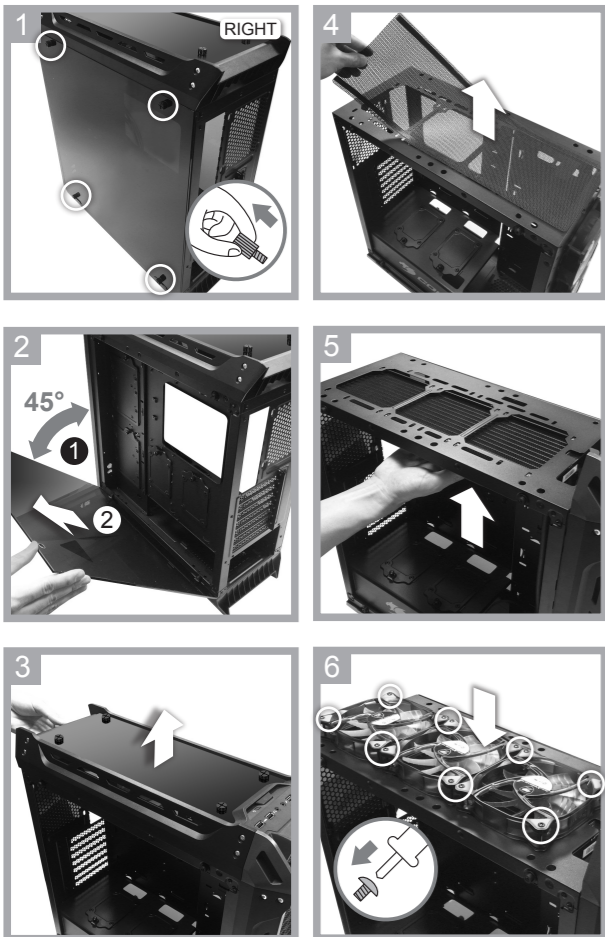
تعليمات التركيب و الأمان:

- عند التركيب أو التفكيك يجب التأكد من أن جميع الأسلاك مفصولة عن الكهرباء.
- يجب اتخاذ الاحتراوات اللازمة لمنع الصعق الكهربائي.
- يجب إرتداء الملابس المناسبة أثناء تركيب/ تجميع الكمبيوتر.
- يجب تركيب كل قطعة بحذر و بمكانها المناسب.
- من يقوم بعملية التركيب الشخص المختص فقط.

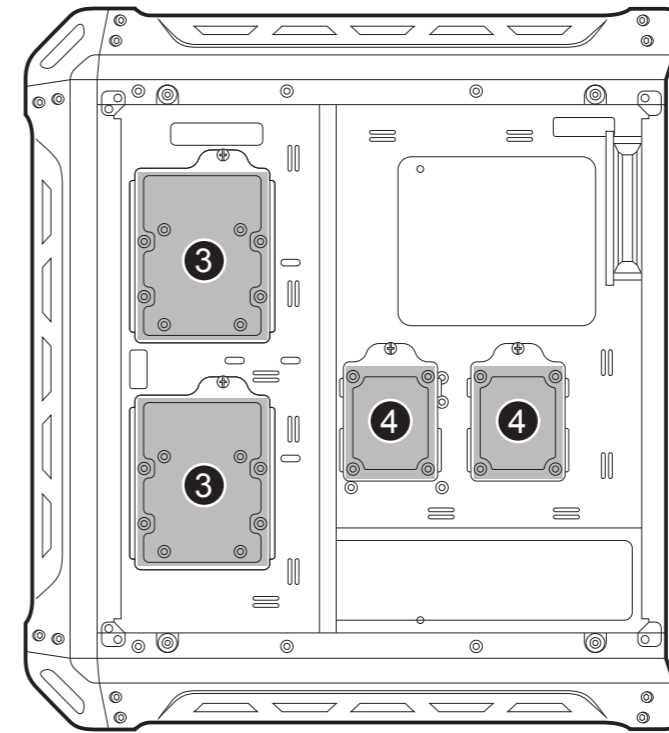
1 Installing a water cooler (front)



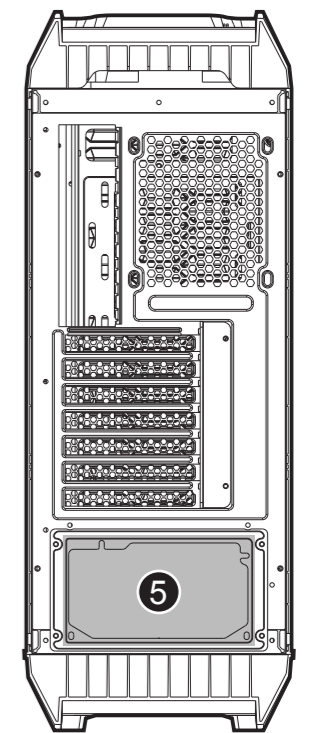
2 Installing a water cooler (top)



LEFT SIDE

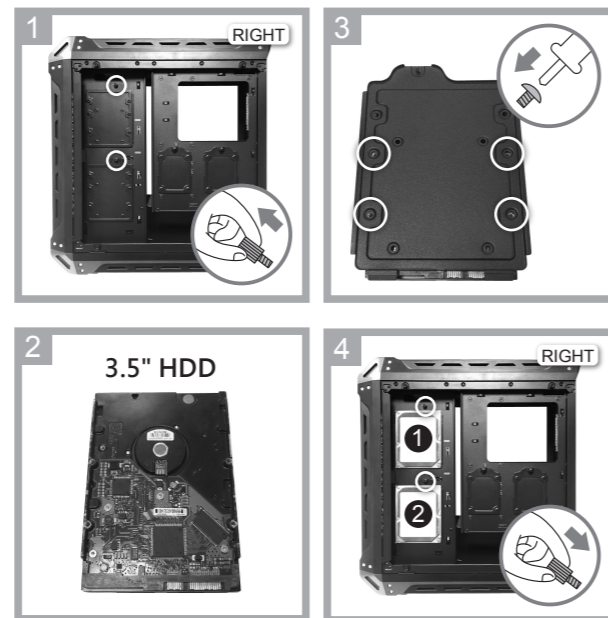


RIGHT SIDE

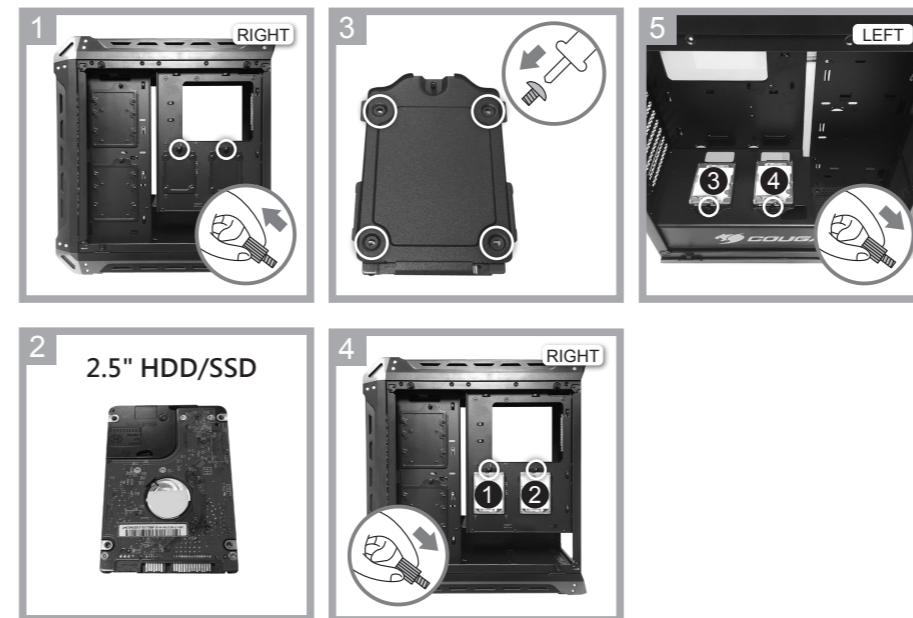


REAR SIDE

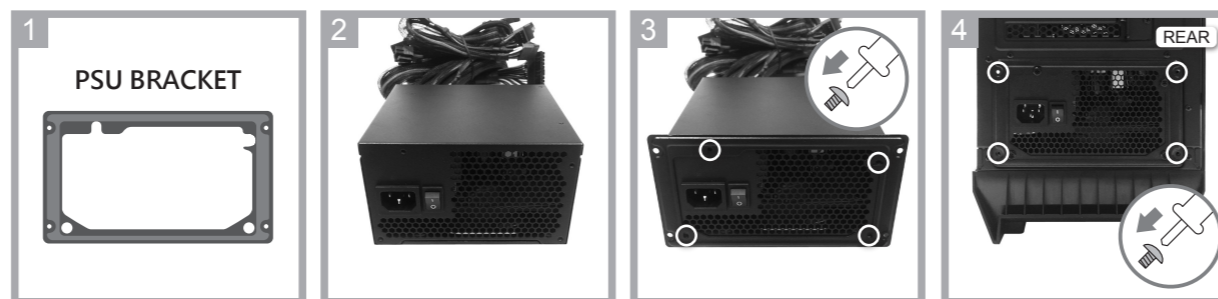
3 Installing an internal 3.5" HDD



4 Installing an internal 2.5" HDD/SSD



5 Installing a power supply



ACCESSORY KIT

		Power supply screws	X 8
		Fans screws	X 24
		Motherboard / HDD screws	X 17
		SSD screws	X 24
		Stand-off	X 2
		Cable ties	X 4
		Psu bracket	X 1