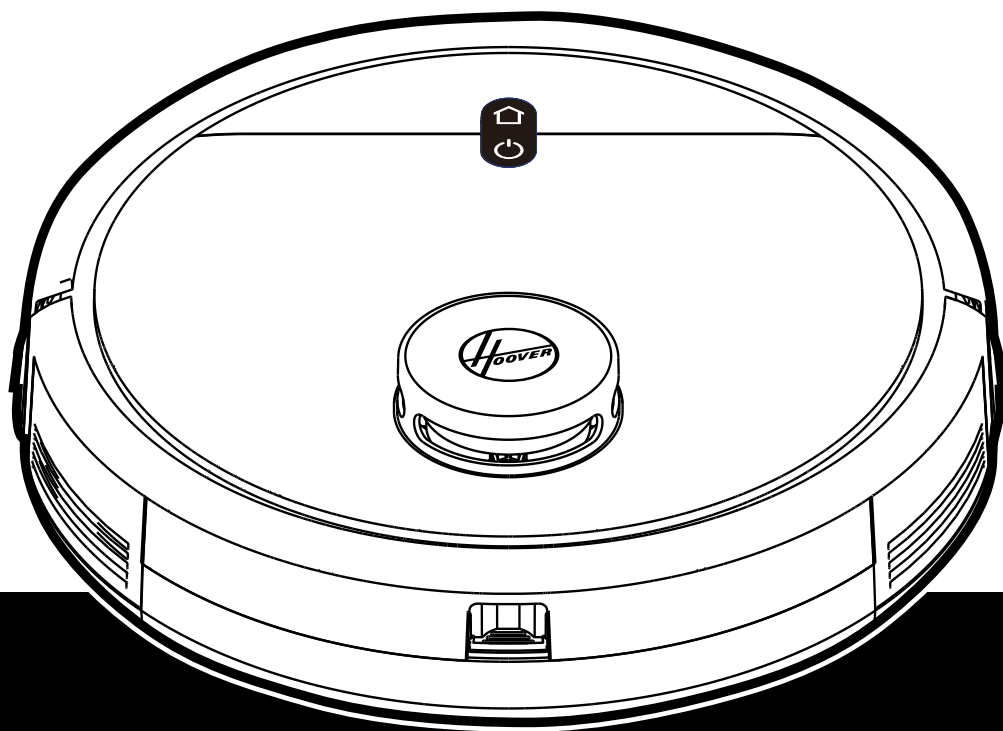




®

USER MANUAL (GB)	2
GUIDE D'UTILISATION (FR).....	10
BEDIENUNGSANLEITUNG (DE)	18
MANUALE D'USO (IT).....	26
GEBRUIKERSHANDLEIDING (NL) .	34
MANUAL DE INSTRUÇÕES (PT)	42
MANUAL DE USUARIO (ES)	50
BRUGERVEJLEDNING (DK)	58
BRUKERHÅNDBOK (NO).....	66
BRUKSANVISNING (SE).....	74
KÄYTTÖOHJE (FI)	82
ΟΔΗΓΙΕΣ ΧΡΗΣΕΩΣ (GR).....	90
РУКОВОДСТВО ПОЛЬЗОВАТЕЛЯ (RU) ...	98
INSTRUKCJA OBSŁUGI (PL)	106
NÁVOD K OBSLUZE (CZ).....	114
NAVODILA ZA UPORABO (SI).....	122
POUŽÍVATEĽSKÁ PRÍRUČKA (SK)...	130
KULLANIM KILAVUZU (TR)	138
FELHASZNÁLÓI KÉZIKÖNYV (HU) ..	146



INSTRUCTIONS FOR SAFE USE

This appliance should only be used for domestic cleaning, as described in this user guide. Please ensure that this guide is fully understood before operating the appliance.

Always switch off and remove the charger from the socket before cleaning the appliance or any maintenance task.

This appliance can be used by children aged from 8 years and above and persons with reduced physical, sensory or mental capabilities or lack of experience and knowledge if they have been given supervision or instruction concerning use of the appliance in a safe way and understand the hazards involved. Children shall not play with the appliance. Cleaning and user maintenance shall not be made by children without supervision.

If the power cord is damaged stop using the appliance immediately. To avoid a safety hazard, an authorised Hoover service engineer must replace the power cord.

If the area to be cleaned contains a balcony or stairs, a physical barrier should be used to prevent access to the balcony or stairs and ensure safe operation. Small children and pets must be supervised while the Robot is cleaning.

Always store the appliance indoors. Do not use outdoors or expose the appliance to the elements, humidity or heating sources (oven, fireplace, wet floor).

Do not expose the Robot or accessories to excessive heat / cold (keep between 0-30°C).

Do not drop the Robot or use any accessory if it has been dropped, damaged, left outdoors or dropped in water.

Never unplug or pull the mains power adaptor by the power cord.

Do not use to clean stairs.

Battery Charging

Use only the original charger supplied with the appliance.

Check that your supply voltage is the same as that stated on the charger.

Never charge the batteries in temperatures above 30°C or below 0°C.

Plug the charger delivered with this appliance into a suitable socket.

Leaks from battery cells can occur under extreme usage or temperature conditions. If the liquid gets on skin, wash quickly with water. If the liquid gets into the eyes, flush them immediately with clean water for a minimum of 10 minutes. Seek medical attention.

It is normal for the charger to become warm to the touch when charging.

Use only attachments, consumables or spares recommended or supplied by Hoover.

Do not pick up hard or sharp objects, matches, hot ashes, cigarette ends or other similar items.

Do not spray with or pick up flammable liquids, cleaning fluids, aerosols or their vapours.

Do not continue to use your appliance or charger if it appears faulty.

Hoover service: To ensure the continued safe and efficient operation of this appliance we recommend that any servicing or repairs are only carried out by an authorised Hoover service engineer.

Do not use the appliance to clean animals or people.

Do not replace the Robot batteries with non-rechargeable batteries.

If the Robot will not be used for a long time (several weeks), unplug the mains power adaptor.

End of life battery removal

If the appliance is to be disposed of the batteries must first be removed. The appliance must be disconnected from the supply mains when removing the battery. Dispose of the batteries safely. Run the appliance until it stops because the batteries are fully discharged. Used batteries should be taken to a recycling station and not disposed of with household waste. To remove the batteries, please contact the Hoover Customer Centre or proceed according to the following instructions.

Unplug the charger and switch off the Robot. Turn the Robot over and place on a level surface. Remove the screws and battery compartment cover. Remove the battery pack.

NOTE: Should you experience any difficulty in dismantling the unit or for more detailed information on treatment, recovery and recycling of this appliance, please contact your local city office or your household waste disposal service.

IMPORTANT NOTES BEFORE USE

Please read the following information carefully before using your Robot or its accessories.

Do not disassemble the Robot and do not attempt to repair it yourself. If a fault occurs, please contact the Hoover after Sales Service for professional advice.

Stairs: The Robot uses sensors to avoid falling down steps, stairs or over an edge. In some situations the sensors can become confused. The Robot cannot detect steps that are less than 8cm in height. Steps less than 8cm may cause the Robot to fall down. If available, set No-go areas or Virtual walls through the app to protect your Robot from falling.

Highly reflective or very dark surfaces used on some steps or stairs, such as glass or polished ceramics may cause the Robot to fall down. If available set No-go areas or Virtual walls through the app or place a carpet on the lower step to protect your Robot from falling.

Using your Robot on mezzanines, landings or raised areas without borders should be avoided. If available set No-go areas or Virtual walls through the app to prevent your Robot entering these areas.

Battery Use: Your Robot is powered by rechargeable, high capacity lithium ion batteries. These rechargeable batteries are guaranteed for a period of 6 months if they are maintained and operated according to this User Manual.

In the event of a significant drop in the Robot's performance, replacement batteries can be obtained from your Hoover retailer.

Only use Hoover approved replacement parts for your Robot. Use of parts that are not approved by Hoover are dangerous and will invalidate your warranty.

Only use the supplied charging station and mains power adaptor to recharge your Robot. Use of the incorrect charging station or mains power adaptor is dangerous and will invalidate your warranty.

Frequency bands	2412 MHz to 2472 MHz
Maximum RF power transmitted in the frequency band	802.11 b: +15.95 dBm 802.11 g: +14.91 dBm 802.11 n20: +13.78 dBm

The Environment

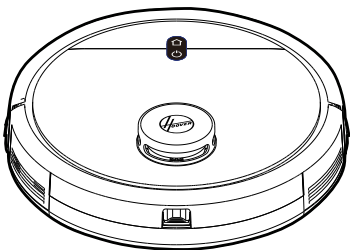
The symbol on this appliance indicates that this appliance may not be treated as household waste. Instead it must be handed over to the applicable collection point for the recycling of electrical and electronic equipment. Disposal must be carried out in accordance with local environmental regulations for waste disposal. For more detailed information about treatment, recovery and recycling of this appliance, please contact your local city office, your household and waste disposal service or the shop where you purchased the appliance.



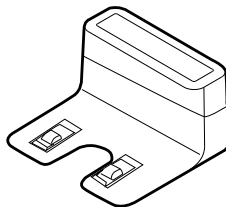
CE This appliance complies with the European Directives 2014/53/EU and 2011/65/EU. To receive a copy of the declaration of conformity, please contact the manufacturer through the website: www.candy-group.com

CANDY HOOVER GROUP Srl Via Privata Eden Fumagalli, 20861 Brugherio (MB) Italy

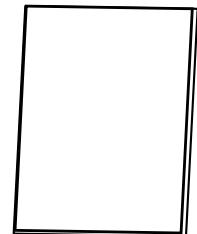
CONTENTS OF THE BOX



Robot Cleaner



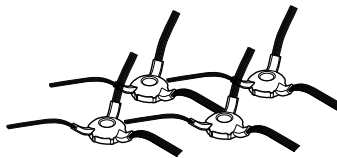
Charger Base



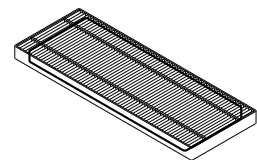
User Manual



Mains Power Adaptor



X4 Edge Cleaning Brush

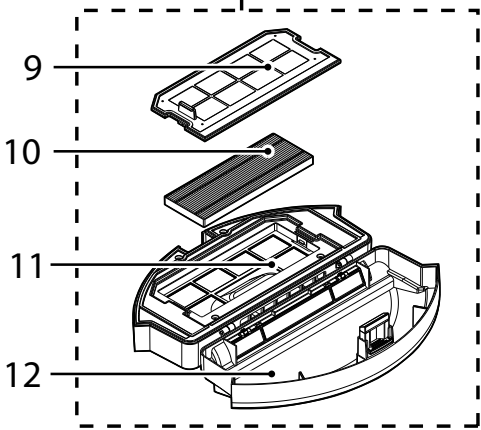
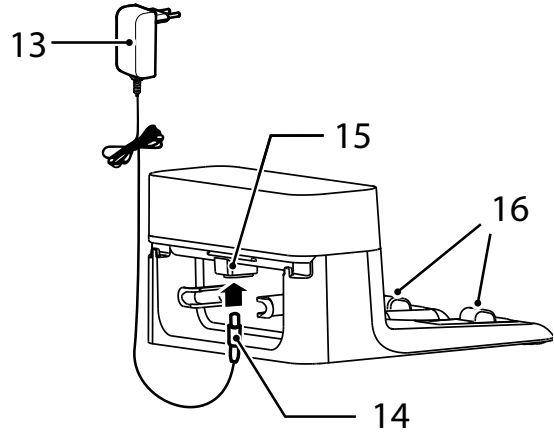
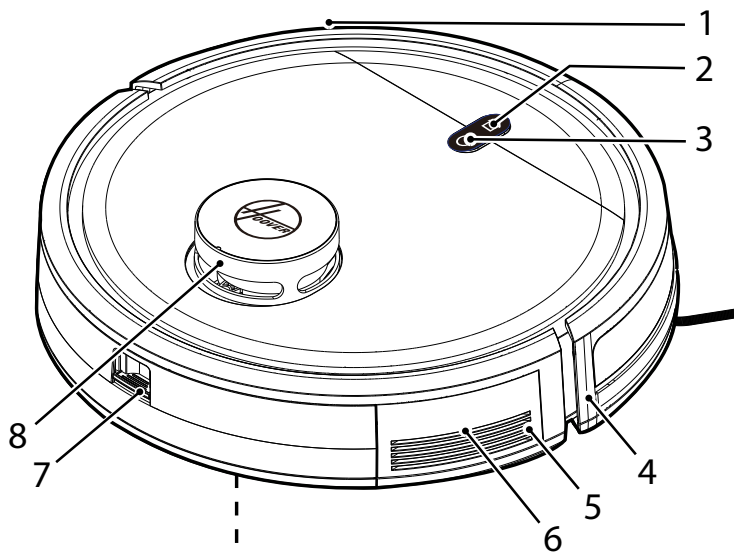


Additional Filter for Robot



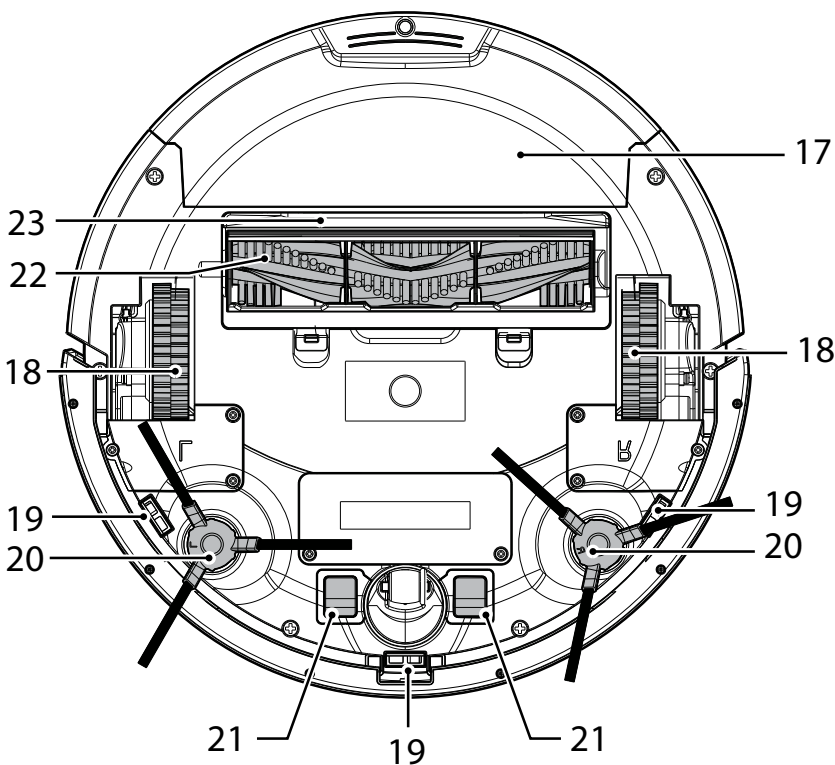
Cleaning Brush

GETTING TO KNOW YOUR ROBOT CLEANER



1	Frontal Bumper
2	HOME (Charger Base) Button
3	ON/OFF Power Button
4	Front Signal Receiver
5	Speaker
6	Reset Button (red button)
7	Dust Container Release Button
8	Lidar Tower
9	Filter Mesh
10	EPA filter
11	Top cover of Dust Container
12	Bottom cover of Dust Container

13	Mains Power Adaptor
14	Power Supply Connector
15	DC Jack, Charger Base
16	Charger Contacts



17	Dust Container
18	Drive Wheel
19	Anti-Fall Sensor
20	Edge Cleaning Brush
21	Robot Charging contacts
22	Agitator
23	Agitator Top Cover

PREPARE YOUR ROBOT CLEANER

PACKAGING

Do not dispose of your Robot packaging. It may be required for the validity of your guarantee in the future.

When unpacking your Robot and its accessories, take care to keep bags away from babies, young children and animals to avoid the risk of suffocation.

Before first use, charge your appliance for 4-6 hours. **[Fig. 1]**

Do not expose the Robot's mains power adaptor to temperatures below 0°C or above 30°C as this may damage the battery.

The mains power adaptor must only be connected to a standard mains power outlet.

BATTERY

For optimum battery performance it is recommended that you keep your robot batteries fully charged.

When the robot is not in use it should be left connected to the charger base. The robot has an intelligent charging system. This prevents the batteries from becoming overcharged.

To avoid accidents, make sure that every person in the room is aware of the presence of the robot.

PREPARE YOUR HOME

Before use, remove obstacles that may get in the path of the Robot. Pay attention to:

- Objects that can be easily knocked over.
- Edges of carpets or rugs that it may get caught on.
- Floor length curtains and tablecloths.
- Heat sources or flammable items.
- Power cords and cables.
- Fragile objects.

CHARGING STATION SETUP

1. Plug in the mains power adaptor and connect it to the Charger Base. **[Fig. 2]**
2. Make sure the power cord is not caught underneath the Charger Base.
3. Place the Charger Base on a non-reflective level floor, preferably against a wall. If the floor surface is too reflective, it will interfere with the Robot navigation system and it may have difficulties locating the charger base.
4. There should not be any object in the area around the Charger Base for 2 meters in front and 1 meter on each side. **[Fig. 2]**
5. Make sure the power cord is not tangled or stretched. If there is an excess, use the power cord tie to store it neatly.
6. Check that the dust container is inserted correctly into the robot
7. Press the two edge cleaning brushes onto the brackets until they click into place. Pay attention to the designation L and R onto the device as well as on the brushes. **[Fig. 3]**
8. Remove the sponges from robot cleaner. Guide your robot into the Charger Base to begin. During normal use, it will take approximately 4/5 hours to complete a full recharge.

CHARGING THE BATTERY **[Fig. 4]**

Long press the ON/OFF button of the robot for 3 to 5 seconds to turn on the robot, set it down in front of the charger base.

Press the Home (Charger Base) Button on the robot, make sure it is moving to the charger base.

For optimum battery performance it is recommended that you keep your robot battery fully charged.

When the battery is charging, the ON/OFF and Home (Charger Base) buttons will flash in white.

If the battery is fully charged, the lights are OFF.

Automatic charging

If the robot battery capacity is low during the cleaning session, the robot cleaner will stop cleaning and start to search for the charger base to charge itself.

When the Robot Cleaner finishes the cleaning session, it will automatically switch to recharge mode, and start to look for the charger base to charge itself.

NOTE: Make sure that the Charging Contacts of the robot and charger base are not dirty. Clean the Charging Contacts if necessary.

If the robot cannot be turned on due to low power, please manually move the robot to the charger base for charging. The Charging Contacts should be aligned and the Edge Cleaning Brush should not be stuck between the Charging Contacts.

Battery

Over time the capacity of your robot battery will decrease, and it will need to be replaced. A replacement battery can be purchased from an approved Hoover retailer. Only use genuine Hoover spare parts and accessories.

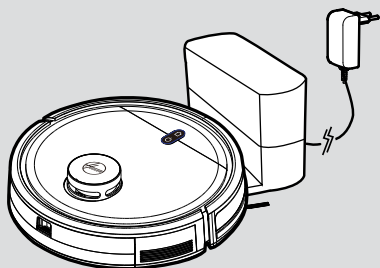


Fig. 1

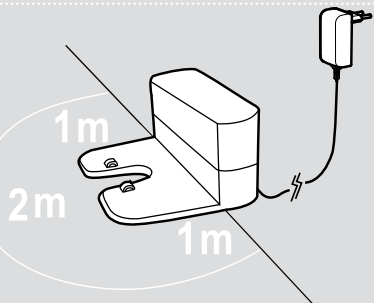


Fig. 2

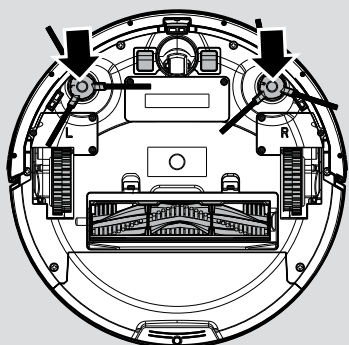


Fig. 3

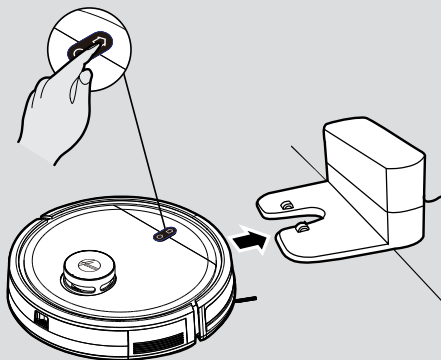


Fig. 4

USING YOUR ROBOT CLEANER

• Home (Charger Base) Button

Short press: Recharge

Long press: App Connection

Light Indicator:

White light flashing: charging

White Light Flashing Rapidly: App Connection

• ON/OFF Power Button

Long press: power on (if robot is off)

Long press: power off (if robot is on)

Short press: start/pause (if robot is in sleep mode)

Light Indicator:

Blue light flashing: standby mode

Blue light is always on: working mode

Blue light off: sleep mode

1. The operation process of the robot: sleep mode > standby mode > working mode

A. Sleep mode: When the robot is in standby mode, and has not been working for 3 minutes, it will automatically enter the sleep mode. When the robot is in sleep mode, the button light is off, and the robot is still.

B. Standby mode: When the robot is in standby mode, the button light is flashing blue, and the robot is still.

C. Working mode: When the robot is working, the button light is always on with blue, and the robot is in cleaning session.

2. Pause

Pause means that the robot is switched from the working mode to the standby mode. This can be operated by pressing the “on/off” button on the robot, or via the mobile App.

Attention! [Fig. 5]

If the robot is in sleep mode, press the “ON/OFF” button on the robot twice to make it start cleaning.

If the robot is not used for a long time, long press the “ON/OFF” button to shut down the robot. When the robot encounters a crash, please press the Reset button on the horn for 2-3 seconds with a needle less than 2mm to forcibly shut down.

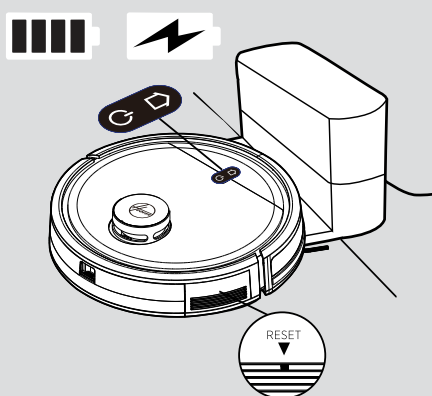


Fig. 5

APP DOWNLOAD AND CONNECTION VIA THE WIFI [Fig. 6]

In order to access all the Robot's Functions from anywhere, it is suggested to download the HG5 APP. You will be able to control the Robot in the most efficient way.

1. Download the “HG5” APP from your App Store, Google Play or APP Gallery.
2. Open the APP, create an account with your email and a password. Confirm login.
3. Ensure your mobile device is connected to WiFi.
4. Click the “add device” on APP, follow instructions to complete the pairing.

WARNING

The WiFi name cannot exceed 32 characters.

If the connection is failed, follow below steps to check:

- Make sure to have inserted correct WiFi password
- Make sure to set your WiFi network to 2.4GHz
- Make sure the Robot is not too far away from the router.

WITH HG5 APP

After having successfully paired your robot you can create the map of your home. This will let you access fully customizable settings and cleaning schedules of your robot.

Click on the Robot icon to access the map page. Remember to remove any obstacle on the floor (cables, socks, shoes) before power on the robot.

Click on POWER ON button to let the robot start mapping your apartment. You'll see the map creating on your home page. Once the robot has scanned your whole apartment you'll see the complete map on your phone. You can give a name to each room, customize it and set up a dedicated cleaning schedule (suction power level, mopping level, frequency of cleaning, etc.).

- Cleaning Time: indicates the duration of the latest cleaning session
- Area Cleaned: indicates the square meters covered by the robot during the latest cleaning session
- Battery: current level of the battery

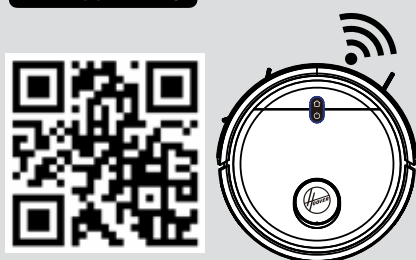
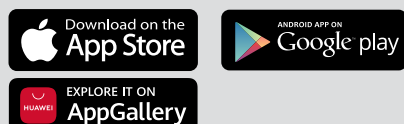


Fig. 6

- POWER ON (🔌)

Robot starts cleaning following the current cleaning settings.

- BACK TO CHARGE (🔌)

The robot will come back to the charger base.

* All the other icons will turn on and be available only after clicking on Power On icon.

- GO TO PLACE (📍)

Select a specific place on the map, the robot will go there and start its cleaning session following the current cleaning settings.

- SELECT ROOM (🏠)

Select a specific room on the map, the robot will go there and start its cleaning session following the room cleaning settings.

- SELECT AREA (📐)

Select a specific area on the map, the robot will go there and start its cleaning session following the current cleaning settings.

- NO-GO AREAS (🚫)

Define a specific area where the robot won't be allowed to go. You can define no-go areas for mopping, for vacuum or both.

- CUSTOMISE (🔧)

Customise rooms on the map. It is possible to merge or split different rooms, fully reset the map, rename rooms, set cleaning schedule for each room, set cleaning sequence for rooms.

- SETTINGS (⋮)

Full settings list of the robot

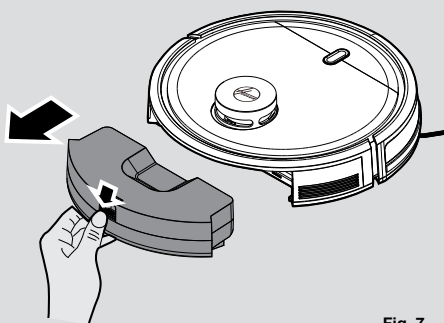


Fig. 7

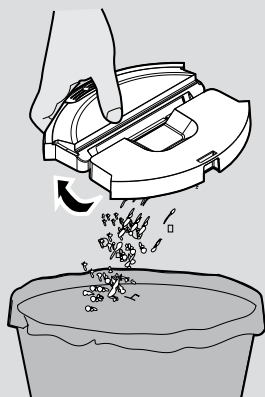


Fig. 8

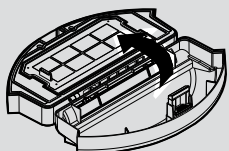


Fig. 9

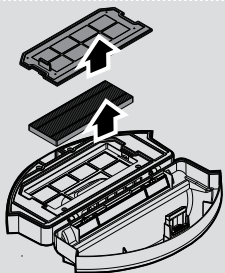


Fig. 10

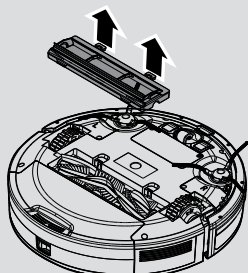


Fig. 11

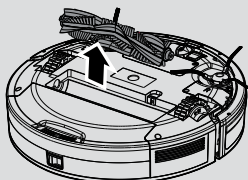


Fig. 12

MAINTAINING YOUR ROBOT CLEANER

EMPTYING THE DUST CONTAINER

Before performing any maintenance task, ensure the robot is switched off.

1. Turn the robot off and remove it from charger base.
2. Use a dry cloth to clean all surfaces. DO NOT allow water into any part of the product whilst cleaning.

After vacuuming, remove the dust container.

1. Press the release button and pull it out. [Fig. 7]
2. Empty the dust container over a dust bin. [Fig. 8]
3. Use the cleaning brush when necessary to remove any excess dust from the internal surface of the dust container or filter surface
4. Refit the dust container into the robot

CLEANING THE FILTERS

The Robot is fitted with a pre-motor filter. To maintain optimum cleaning performance, regularly clean the filter cover and the pre-motor filter. They should be cleaned after the dust container has been emptied 5 times and should not be washed.

1. After vacuuming, remove the dust container, press the release button and pull it out. [Fig. 7]
2. Empty dust container. [Fig. 8] Open the dust container, remove the filter mesh with filter together, then remove EPA filter from filter mesh and clean them separately. The assembly is done in reverse order, make sure the filter is assembled correctly. [Fig. 9,10]

IMPORTANT: Regularly check and maintain the filters following the filter maintenance instructions. This will maintain maximum cleaning performance.

If the filter mesh and filter are damaged, they should be removed immediately and replaced in time to avoid damage to the vacuum motor.

CLEANING THE AGITATOR

Regularly clean the agitator to maintain maximum cleaning performance.

1. Turn the Robot OFF and turn it over.
2. Press the clips on the sole plate remove the agitator cover. [Fig. 11]
3. Lift up the agitator by grasping one end of agitator. [Fig. 12]
4. Use the Cleaning Brush to remove any entanglement from the agitator and the dirt on the bristles. Do not lose the rubber sleeve on the ball bearing.
5. After cleaning, put the agitator and the agitator cover back into the robot.

Attention: All maintenance tasks should be carried out after taking out the Dust Container, to avoid the dirt in the Dust Container being dumped out accidentally.

CLEANING THE EDGE CLEANING BRUSHES

When the edge brushes become dirty, clean them with clean water and dry it before use; if the edge brush is damaged and cannot work normally, please replace it.

Attention!

When replacing the edge cleaning brushes, match the "L" and "R" marks on the brush with the "L" and "R" at the bottom of the robot.

CLEANING THE DRIVE WHEELS [Fig. 13]

1. Switch the Robot off and turn it over.
2. Remove any dirt or hair trapped in the wheels.
3. Clean the wheels with a dry cloth.

CLEANING THE ANTI-FALL SENSOR LENS [Fig. 14]

To maintain the safe operation of your robot it is important to keep the Anti fall sensors clean. There are 3 sensors located on the bottom side of the robot. Turn the robot upside down and clean them with dry cloth to remove any accumulation of dust, dirt or debris.

BATTERY REPLACEMENT [Fig. 15]

1. Use a screwdriver to remove the screws from the battery cover at the bottom of the robot;
2. Remove the battery cover.
3. Disconnect the connector and remove the battery from the compartment;
4. Put the new battery into the compartment and reconnect to the connector. Pay attention to the correct alignment of the connector and the wires. Refit the battery cover and close it with the screws.
5. Power on to check whether it is normal.

Attention!

Please recycle the replaced batteries in an environmentally friendly method to avoid pollution.

IMPORTANT NOTICE

Only use approved replacement parts for your robot.

Using parts not validated by Hoover is dangerous and will invalidate your guarantee.

If the robot will not to be used for several months, please remove the batteries and store in a cool dry location.

IMPORTANT: Always make sure your device is switched off before maintenance. Always use two hands to lift and carry, and ensure the robot is held level. [Fig. 16]

When lifting the robot cleaner, ensure you do not grip the dust container to avoid accidental opening. [Fig. 17] You should avoid using your robot cleaner in direct sunlight or on dark polished surfaces as these conditions will adversely affect the behaviour of your robot.

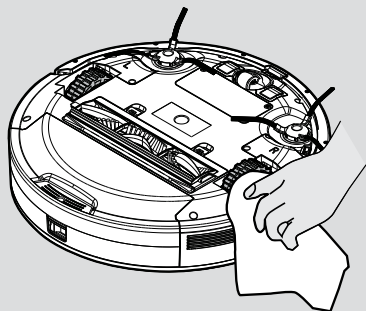


Fig. 13

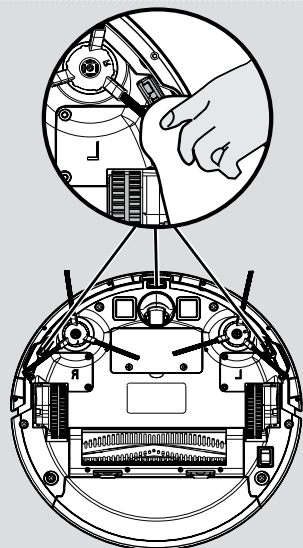


Fig. 14

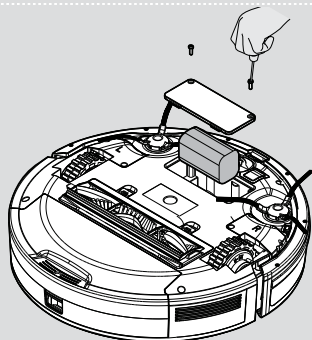


Fig. 15

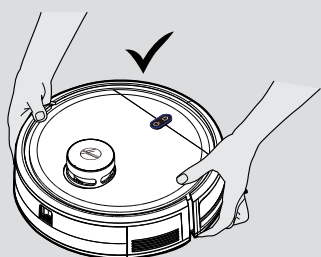


Fig. 16

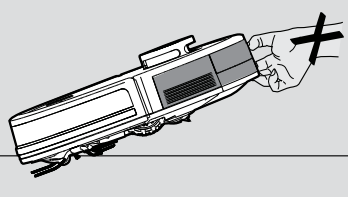


Fig. 17

TROUBLESHOOTING

If you have any problem with your robot, follow this simple check list before calling the Hoover Customer Service Centre.

• Robot doesn't work when it is switched on

Light Indicator of ON/OFF and Home Buttons	Actions
White & blue flashing	Check edge cleaning brushes are clean and placed correctly
	Check agitator is clean and placed correctly
White on	Check if the dust container is inserted correctly
White & light blue lights flashing	Check the drive wheels are clean and functioning
Blue & light blue lights flashing	Check the anti-fall sensors and frontal bumper are clean and functioning
White flashing	Check the Lidar tower is functioning

• Robot doesn't automatically recharge

Make sure there are no barriers between the robot and the charger base, and no objects in the area around the charger base for 2 meters in front and 1 meter to each side.

• Robot is trapped

Robot will attempt to free itself but in some cases, assist the robot manually.

• Robot is very noisy while cleaning

Clean the dust container and filter, clean and check the agitator and drive wheels.

• Cleaning power is weak

Clean the dust container and filter, clean and check the agitator and drive wheels.

IMPORTANT INFORMATION

Hoover Spares and Consumables

Always replace parts with genuine Hoover spares. These are available from your local Hoover dealer or direct from Hoover. When ordering parts always quote your model number.

Quality

Hoover's factories have been independently assessed for quality. Our products are made using a quality system which meets the requirements of ISO 9001.

Your Guarantee

The guarantee conditions for this appliance are as defined by our representative in the country in which it is sold. Details regarding these conditions can be obtained from the dealer from whom the appliance was purchased. The bill of sale or receipt must be produced when making any claim under the terms of this guarantee.

Subject to change without notice.

INSTRUCTIONS POUR UNE UTILISATION EN SÉCURITÉ

Cet appareil doit être utilisé uniquement pour un nettoyage domestique, conformément à ce guide d'utilisation. Veuillez vous assurer que ces instructions sont bien comprises avant d'utiliser l'appareil. Il convient de toujours éteindre et mettre le chargeur hors tension avant le nettoyage ou l'entretien de l'appareil.

Cet appareil peut être utilisé par des enfants âgés d'au moins 8 ans et par des personnes ayant des capacités physiques, sensorielles ou mentales réduites, ou n'ayant pas d'expérience ou de connaissances en la matière. Ces dernières doivent recevoir des instructions sur l'utilisation de l'appareil en toute sécurité et comprendre les risques impliqués. Les enfants ne doivent pas jouer avec l'appareil. Le nettoyage et l'entretien ne devraient pas être effectués par des enfants sans supervision.

Si le cordon d'alimentation est endommagé, arrêtez immédiatement d'utiliser l'appareil. Pour éviter les risques d'accident, un réparateur Hoover agréé doit remplacer le cordon d'alimentation.

Si la zone à nettoyer comporte un balcon ou des escaliers, une barrière physique doit être utilisée pour empêcher l'accès au balcon ou aux escaliers et assurer une utilisation en toute sécurité. Les petits enfants et les animaux domestiques doivent être supervisés pendant que le Robot nettoie.

Toujours ranger l'appareil à l'intérieur. **Ne pas** utiliser à l'extérieur et ne pas exposer l'appareil aux intempéries, à l'humidité ou à des sources de chaleur (four, cheminée, sol humide).

Ne pas exposer le Robot ou les accessoires à une source de chaleur / de froid excessif (Garder à une température comprise entre 0-30°C).

Ne pas laisser tomber le Robot et ne pas l'utiliser s'il a fait une chute, s'il est endommagé, s'il a été laissé à l'extérieur ou s'il est tombé dans l'eau.

Ne jamais débrancher ou tirer l'adaptateur principal par le cordon d'alimentation.

Ne pas utiliser pour nettoyer les escaliers.

Chargement de la batterie

Utilisez uniquement le chargeur d'origine qui vous a été fourni avec l'appareil.

Vérifiez que la tension de l'alimentation est la même que celle indiquée sur le chargeur.

Ne rechargez jamais les batteries à des températures supérieures à 30°C ou inférieures à 0°C.

Branchez le chargeur fourni avec l'appareil dans une prise adaptée.

Il peut se produire des fuites d'éléments de batterie dans des conditions extrêmes d'utilisation ou de température. Si le liquide touche la peau, nettoyez-la rapidement avec de l'eau. Si le liquide pénètre dans les yeux, rincez-les immédiatement avec de l'eau propre pendant au moins 10 minutes. Consultez un médecin.

Il est normal que le chargeur devienne chaud au toucher lorsqu'il est en train de charger.

N'utilisez que les accessoires, les consommables et les pièces de rechange recommandés ou fournis par Hoover.

Évitez d'aspirer les objets durs ou pointus, des allumettes, des cendres chaudes, des mégots de cigarettes et d'autres objets similaires.

Évitez de pulvériser ou d'aspirer des liquides inflammables, des produits de nettoyage, des aérosols ou leurs vapeurs.

Arrêtez d'utiliser votre appareil ou votre chargeur s'ils vous semblent défectueux.

Service Hoover : Pour assurer l'utilisation sûre et efficace de cet appareil, nous recommandons de n'en confier l'entretien et les réparations qu'à un réparateur Hoover agréé.

N'utilisez pas cet appareil pour nettoyer des personnes ou des animaux.

Ne remplacez pas les batteries du robot par des batteries non rechargeables.

Si le Robot est amené à ne pas être utilisé pendant longtemps (plusieurs semaines), débranchez l'adaptateur d'alimentation secteur.

Mise au rebut des batteries en fin de vie

Si vous mettez l'appareil à la poubelle, il convient d'abord de retirer les batteries. L'appareil ne doit pas être branché à la prise lorsque vous retirez les batteries. Jetez les batteries dans un endroit sûr. Laissez fonctionner l'appareil jusqu'à l'arrêt total de l'appareil provoqué par le déchargement complet des batteries. Les batteries usées doivent être amenées à un point de recyclage et non pas être éliminées avec les ordures ménagères. Pour retirer les batteries, veuillez contacter le centre d'assistance Hoover ou suivez les instructions suivantes.

Débranchez le chargeur et éteignez le Robot. Retournez le Robot et placez-le sur une surface plate. Déposez les vis et le couvercle du compartiment batterie. Retirez le bloc batterie.

REMARQUE : Si vous rencontrez des difficultés en démontant l'unité ou si vous souhaitez obtenir plus d'informations concernant le traitement, la maintenance et le recyclage de cet appareil, veuillez contacter les services de votre ville locale ou un centre de traitement des ordures ménagères.

NOTICES IMPORTANTES AVANT L'UTILISATION

Veuillez lire attentivement les informations suivantes avant d'utiliser votre Robot ou ses accessoires.

Ne démontez pas le Robot et n'essayez pas de le réparer vous-même. En cas de dysfonctionnement, veuillez contacter votre revendeur pour obtenir les conseils d'un professionnel.

Escaliers : Le Robot utilise des capteurs pour éviter de chuter sur des marches, dans des escaliers ou par-dessus un bord. Dans certaines situations, les capteurs peuvent dysfonctionner :

Le Robot ne peut pas détecter les marches qui font moins de 8 cm de haut. Les marches de moins de 8 cm de haut peuvent faire chuter le Robot.

Si disponible, définissez des zones interdites ou des murs virtuels via l'application pour protéger votre robot contre les chutes.

Les surfaces très réfléchissantes ou très foncées sur certaines marches ou certains escaliers, telles que le verre ou la céramique polie peuvent faire chuter le Robot.

Si disponible, définissez des zones interdites ou des murs virtuels via l'application ou placez un tapis sur la marche inférieure pour éviter la chute de votre Robot.

Évitez d'utiliser votre Robot sur des mezzanines, des paliers ou des surfaces élevées non délimités. Si disponible, définissez des zones interdites ou des murs virtuels via l'application pour empêcher que votre robot n'entre dans ces zones.

Utilisation des batteries : Votre Robot est alimenté par des batteries lithium ion rechargeables à haute capacité. Ces batteries rechargeables sont garanties 6 mois sous réserve d'être entretenues et utilisées conformément à ce manuel d'utilisation.

En cas de perte de performance importante du Robot, des batteries de rechange sont disponibles auprès de votre revendeur Hoover.

Utilisez uniquement les pièces de rechange approuvées par Hoover pour votre Robot. L'utilisation de pièces non approuvées par Hoover est dangereuse et annulera votre garantie.

N'utilisez que la station de chargement et l'adaptateur secteur fournis pour recharger votre Robot. L'utilisation d'une mauvaise station de chargement ou d'un mauvais adaptateur secteur est dangereuse et annulera votre garantie.

Bandes de fréquence	2412 MHz to 2472 MHz
Puissance RF maximale transmise sur la bande de fréquence	802.11 b: +15.95 dBm 802.11 g: +14.91 dBm 802.11 n20: +13.78 dBm

Environnement

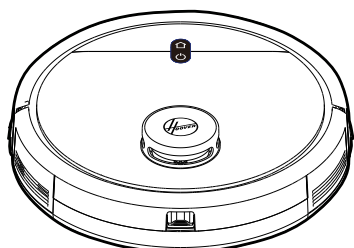
Le symbole figurant sur cet appareil indique qu'il ne peut pas être considéré comme une ordures ménagère. Vous devez le déposer dans un centre de recyclage des déchets électriques et électroniques. La déposition doit être effectuée conformément à la réglementation locale en matière de déchets. Pour plus d'information sur le traitement, la récupération et le recyclage de cet appareil, veuillez contacter votre municipalité, le service local d'élimination des ordures ménagères ou le revendeur de l'appareil.



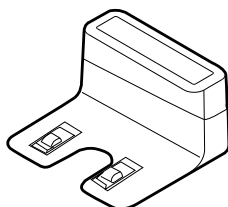
CE Cet appareil est conforme aux Directives européennes 2014/53/UE, 2014/30/UE et 2011/65/UE. Pour recevoir une copie de la déclaration de conformité, veuillez contacter le fabricant à travers le site Web : www.candy-group.com

CANDY HOOVER GROUP Srl Via Privata Eden Fumagalli, 20861 Brugherio (MB) Italy

CONTENU DE LA BOÎTE



Robot



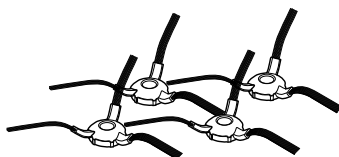
Base de recharge



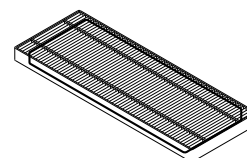
Manuel d'utilisation



Adaptateur secteur



Brosse de nettoyage latérale (4 pièces)

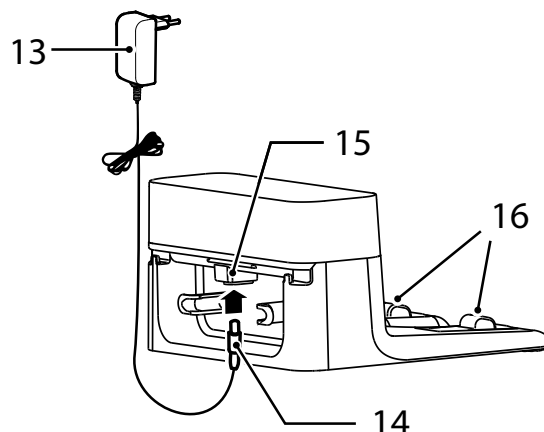
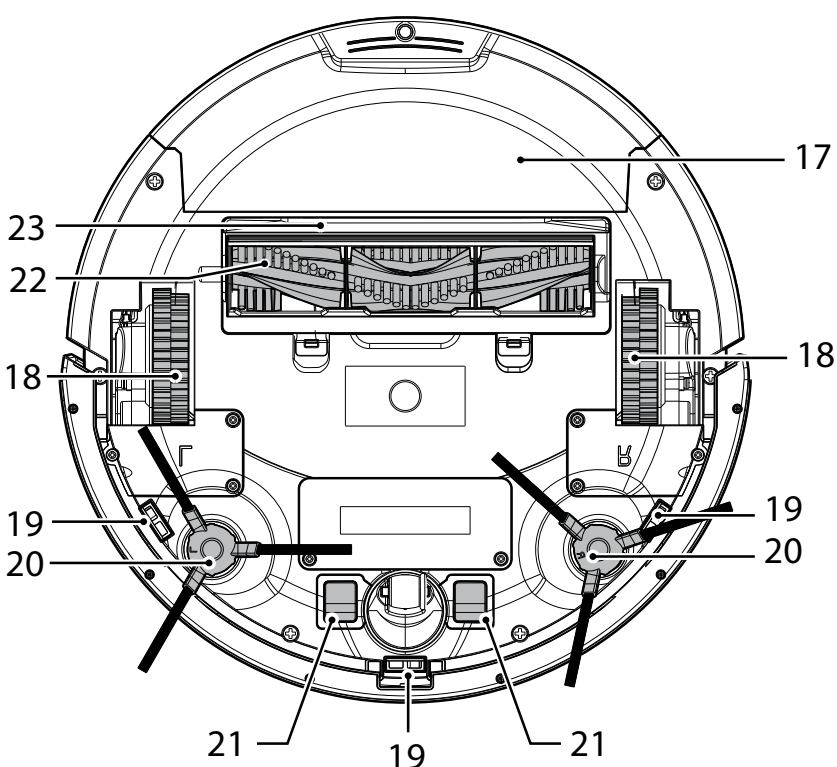
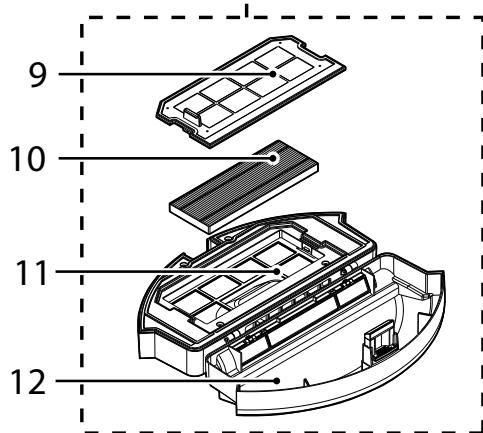
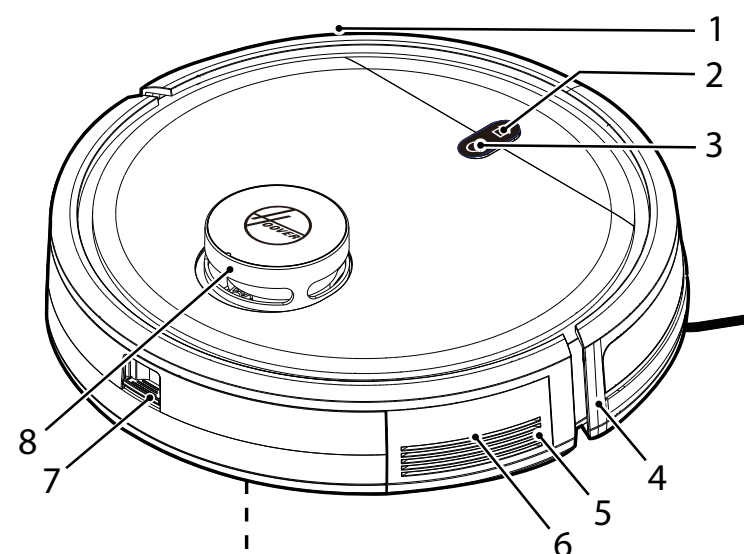


Filtre supplémentaire pour le robot



Brosse de nettoyage

PREMIÈRE UTILISATION DE VOTRE ROBOT



1	Pare-choc frontal
2	Bouton ACCUEIL (base de recharge)
3	Bouton Marche/Arrêt
4	Récepteur de signal avant
5	Haut-parleur
6	Bouton de réinitialisation (Bouton rouge)
7	Bouton pour détacher le bac à poussière
8	Tour de télédétection par laser
9	Filtre à mailles
10	Filtre EPA
11	Couvercle supérieur du bac à poussière
12	Couvercle inférieur du bac à poussière

13	Adaptateur secteur
14	Connecteur d'alimentation
15	Port d'alimentation de la base de chargement
16	Commutateurs du chargeur

17	Bac à poussière
18	Roue motrice
19	Capteur Anti-Chute
20	Brosse de nettoyage latérale
21	Contacts de Recharge du Robot
22	Agitateur
23	Couvercle supérieur de l'agitateur

PRÉPARATION DE VOTRE ROBOT

EMBALLAGE

Ne jetez pas l'emballage de votre Robot. Cela pourra vous être demandé à l'avenir pour la validité de votre garantie.

Lorsque vous déballez le Robot et ses accessoires, veillez à garder les sacs hors de portée des bébés, des enfants et des animaux pour éviter le risque d'étouffement.

Avant la première utilisation, chargez votre appareil pendant 4-6 heures. **[Fig. 1]**

N'exposez pas l'adaptateur d'alimentation secteur du Robot à des températures inférieures à 0°C ou supérieures à 30°C, car cela peut endommager la batterie.

L'adaptateur secteur doit être branché uniquement sur une prise électrique standard.

BATTERIE

Pour une performance optimale de la batterie, nous vous recommandons de garder les batteries de votre Robot entièrement chargées.

Lorsque le robot n'est pas utilisé, il doit rester connecté à la base de recharge. Le robot a un système de recharge intelligent. Cela évite que les batteries ne surchargent.

Pour éviter les accidents, assurez-vous que toutes les personnes présentes dans la pièce ont conscience de la présence du Robot.

PRÉPARATION DE VOTRE MAISON

Avant l'utilisation, retirez les obstacles qui pourraient se trouver sur le passage du Robot. Faites attention :

- Aux objets qui peuvent facilement se renverser.
- Aux bords de moquettes ou de tapis sur lesquels il pourrait rester coincé.
- Aux rideaux et nappes qui touchent le sol.
- Aux sources de chaleurs et aux objets inflammables.
- Aux cordons et câbles électriques.
- Aux objets fragiles.

CONFIGURATION DE LA STATION DE CHARGEMENT

1. Branchez l'adaptateur secteur et raccordez-le à la base de recharge. **[Fig. 2]**
2. Veillez à ce que le cordon d'alimentation ne soit pas coincé en-dessous de la base de recharge.
3. Placez la base de recharge sur un sol non réfléchissant, de préférence contre un mur. Si la surface du plancher est trop réfléchissante, elle interférera avec le système de navigation du robot et il se peut qu'il ait des difficultés à trouver la base de recharge.
4. Aucun objet ne doit se trouver à 2 m devant la base de recharge et à 1 m de chaque côté. **[Fig. 2]**
5. Veillez à ce que le cordon d'alimentation ne soit pas emmêlé ou étiré. S'il y en a trop, utilisez l'attache de cordon d'alimentation pour le ranger soigneusement.
6. Vérifiez que le réservoir soit correctement inséré dans le robot
7. Fixez les deux brosses de nettoyage latérales sur les supports jusqu'à ce qu'elles s'enclenchent. Faites attention à ce que L et R figurent aussi bien sur l'appareil que sur les brosses. **[Fig. 3]**
8. Retirez les éponges du robot. Guidez votre robot dans la base de recharge pour commencer. Pendant l'utilisation normale, la recharge complète prendra environ 4/5 heures.

CHARGER LA BATTERIE **[Fig. 4]**

Appuyez longuement sur le bouton Marche/Arrêt du robot pendant 3 à 5 secondes pour allumer le robot, posez-le devant la base de recharge.

Appuyez sur le bouton Accueil (base de recharge) du robot ; assurez-vous qu'il se déplace vers la base de recharge.

Pour une performance optimale de la batterie, nous vous recommandons de garder la batterie de votre robot entièrement chargées.

Lorsque la batterie est en cours de charge, les boutons Marche/Arrêt et Accueil (base de recharge) clignotent en blanc.

Si la batterie est entièrement rechargée, ces voyants s'éteignent.

Chargement automatique

Si la capacité de batterie du robot est faible pendant la session de nettoyage, le robot s'arrête de nettoyer et va chercher la base de recharge pour se recharger.

Lorsque le robot a terminé sa session de nettoyage, il passe automatiquement en mode de recharge et va chercher la base de recharge pour se recharger.

REMARQUE : Assurez-vous que les contacts de recharge du robot et de la base de recharge ne soient pas sales. Nettoyez les contacts de recharge si nécessaire.

Si le robot ne peut pas être mis sous tension en raison d'une faible puissance, veuillez déplacer manuellement le robot vers la base de recharge pour le recharger. Les contacts de chargement doivent être alignés et la brosse de nettoyage latérale ne doit pas être coincée entre les contacts de chargement.

Batterie

Avec le temps, la durée de la batterie de votre robot diminuera et elle devra être remplacée. Une batterie de remplacement peut être achetée auprès d'un revendeur Hoover. N'utilisez que des pièces de rechange et des accessoires Hoover.

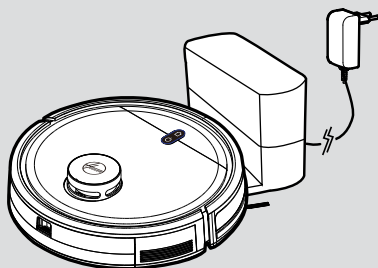


Fig. 1

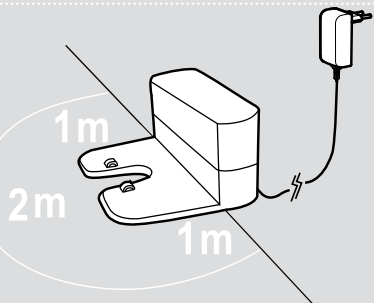


Fig. 2

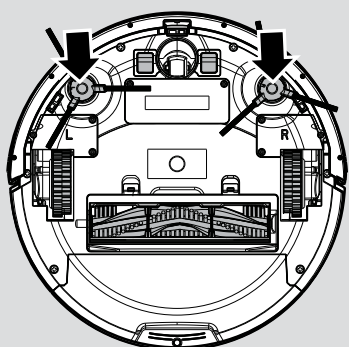


Fig. 3

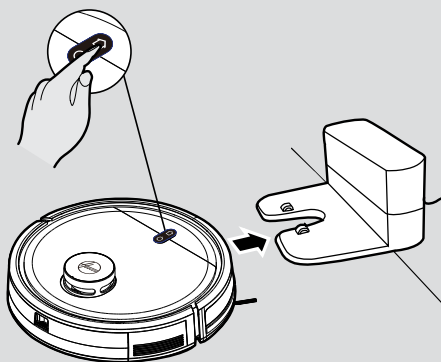


Fig. 4

UTILISATION DE VOTRE ROBOT

• Bouton Accueil (base de recharge)

Pression courte : Recharge

Pression longue : Connexion de l'application

Indicateur lumineux :

Clignotement de la lumière blanche : chargement

Clignotement rapide de la lumière blanche : Connexion de l'application

• Bouton Marche/Arrêt

Pression longue : mise en marche (si le robot est éteint)

Pression longue : mise en arrêt (si le robot est allumé)

Pression courte : démarrage/pause (si le robot est en mode nuit)

Indicateur lumineux :

Clignotement de la lumière bleue : mode veille

La lumière bleue est allumée : mode de fonctionnement

La lumière bleue est éteinte : mode nuit

1. Le processus de fonctionnement du robot : mode nuit > mode veille > mode de fonctionnement

A. Mode nuit : Lorsque le robot est en mode veille et qu'il n'a pas fonctionné pendant 3 minutes, il passe automatiquement en mode veille. Lorsque le robot est en mode veille, le bouton lumineux est éteint et le robot est immobile.

B. Mode veille : Lorsque le robot est en mode veille, le bouton lumineux clignote en bleu et le robot est immobile.

C. Mode de fonctionnement : Lorsque le robot est en fonctionnement, le bouton lumineux est toujours allumé en bleu et le robot est en cours de nettoyage.

2. Pause

La pause signifie que le robot passe du mode de fonctionnement au mode veille. Cette opération peut être effectuée en appuyant sur le bouton « Marche/Arrêt » du robot, ou via l'application mobile.

Attention ! [Fig. 5]

Si le robot est en mode nuit, appuyez deux fois sur le bouton « MARCHÉ/ARRÊT » du robot pour qu'il commence à nettoyer.

Si le robot n'est pas utilisé pendant une longue période, appuyez longuement sur le bouton « MARCHÉ/ARRÊT » pour éteindre le robot. Lorsque le robot rencontre une panne, appuyez sur le bouton de réinitialisation pendant 2 à 3 secondes avec une aiguille de moins de 2 mm pour l'arrêter de force.

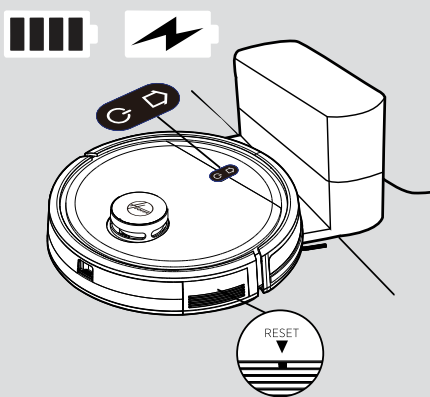


Fig. 5

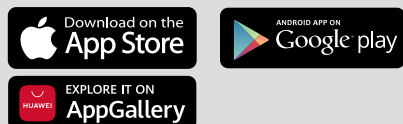


Fig. 6

TÉLÉCHARGEMENT DE L'APPLICATION ET CONNEXION PAR WIFI [Fig. 6]

Afin d'accéder à toutes les fonctions du robot partout, il est suggéré de télécharger l'application HG5. Vous pourrez contrôler le robot le plus efficacement possible.

1. Téléchargez l'application « HG5 » dans votre App Store, Google Play ou l'application Galerie.

2. Ouvrez l'application, créez un compte à l'aide de votre e-mail et un mot de passe. Confirmez la connexion.

3. Assurez-vous que votre dispositif mobile soit connecté au Wi-Fi.

4. Cliquez sur « ajouter un appareil » sur l'application, suivez les instructions pour terminer l'appairage.

AVERTISSEMENT

Le nom du réseau Wi-Fi ne peut pas dépasser 32 caractères.

Si la connexion échoue, suivez les étapes ci-dessous pour vérifier ce qui suit :

- Assurez-vous d'avoir inséré le bon mot de passe WIFI
- Assurez-vous de définir votre réseau WiFi à 2,4 GHz
- Assurez-vous que le robot ne soit pas très éloigné du routeur.

AVEC L'APPLICATION HG5

Après avoir apparié votre robot avec succès, vous pouvez créer la carte de votre maison. Cela vous permettra d'accéder aux paramètres entièrement personnalisables et aux programmes de nettoyage de votre robot.

Cliquez sur l'icône Robot pour accéder à la page de carte. N'oubliez pas d'enlever tout obstacle sur le sol (câbles, chaussettes, chaussures) avant de mettre le robot en marche. Cliquez sur le bouton MISE EN MARCHÉ pour que le robot commence à cartographier votre appartement. Vous verrez la carte se créer sur votre page d'accueil. Une fois que le robot a scanné tout votre appartement, vous verrez le plan complet sur votre téléphone. Vous pouvez donner un nom à chaque pièce, la personnaliser et mettre en place un programme de nettoyage dédié (niveau de puissance d'aspiration, niveau de balayage, fréquence de nettoyage, etc.).

- Durée du nettoyage : indique la durée de la dernière session de nettoyage
- Surface nettoyée : indique les mètres carrés couverts par le robot lors de la dernière session de nettoyage
- Batterie : niveau actuel de la batterie

- **MISE EN MARCHÉ** (▶)

Le robot commence le nettoyage en suivant les paramètres de nettoyage actuels.

- **RETOUR AU CHARGEUR** (🔌)

Le robot revient à la base de recharge.

* Toutes les autres icônes s'allument et ne sont disponibles qu'après avoir cliqué sur l'icône Mise en marche.

- **ALLER A UN ENDROIT** (📍)

Sélectionnez un endroit spécifique sur la carte, le robot s'y rendra et commencera sa session de nettoyage en suivant les paramètres de nettoyage actuels.

- **SÉLECTIONNER UNE PIÈCE** (📐)

Sélectionnez une pièce spécifique sur la carte, le robot s'y rendra et commencera sa session de nettoyage en suivant les paramètres de nettoyage de la pièce.

- **SÉLECTIONNER UNE ZONE** (📏)

Sélectionnez une zone spécifique sur la carte, le robot s'y rendra et commencera sa session de nettoyage en suivant les paramètres de nettoyage actuels.

- **ZONES INTERDITES** (🚫)

Définissez une zone spécifique où le robot ne sera pas autorisé à se rendre. Vous pouvez définir des zones interdites à laver, à aspirer ou les deux.

- **PERSONNALISER** (🔧)

Personnalisez les pièces sur la carte. Il est possible de fusionner ou de diviser différentes pièces, de réinitialiser complètement la carte, de renommer les pièces, de définir un programme de nettoyage pour chaque pièce, de définir une séquence de nettoyage des pièces.

- **RÉGLAGES** (⋮)

Liste complète des réglages du robot

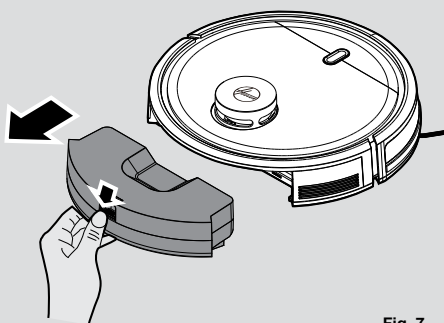


Fig. 7

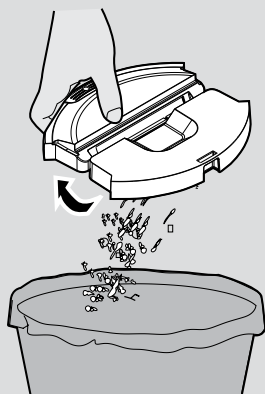


Fig. 8

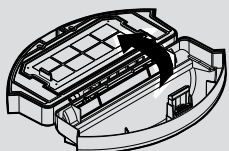


Fig. 9

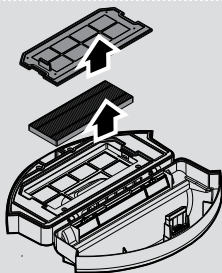


Fig. 10

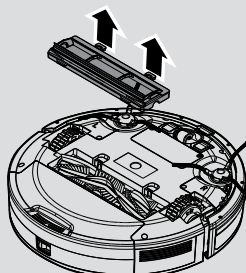


Fig. 11

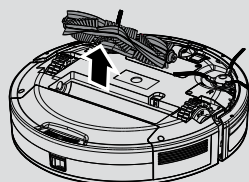


Fig. 12

ENTREtenir VOTRE ROBOT

VIDER LE RESERVOIR

Avant toute opération d'entretien, veillez à ce que le Robot soit éteint.

1. Éteignez le robot et retirez-le de la base de recharge.
2. Utilisez un chiffon sec pour nettoyer toutes les surfaces. **NE LAISSEZ** pénétrer aucune goutte d'eau sur aucun composant de l'appareil pendant le nettoyage.

Après avoir passé l'aspirateur, enlevez le réservoir.

1. Appuyez sur le bouton et retirez-le. [Fig. 7]
2. Videz le réservoir dans une poubelle. [Fig. 8]
3. Utilisez la brosse de nettoyage si nécessaire pour enlever tout excès de poussière de la surface interne du réservoir ou de la surface du filtre
4. Remplacez le réservoir dans le robot

NETTOYAGE DES FILTRES

Le robot est équipé avec un filtre pré-moteur. Pour maintenir des performances de nettoyage optimale, nettoyez régulièrement le couvercle du filtre et le filtre pré-moteur. Ils doivent être nettoyés après 5 vidages du réservoir et ne doivent pas être lavés.

1. Après avoir passé l'aspirateur, retirez le réservoir, appuyez sur le bouton et retirez-le. [Fig. 7]
2. Videz le réservoir. [Fig. 8] Ouvrez le réservoir, retirez la maille du filtre avec le filtre ensemble, puis retirez le filtre EPA de la maille du filtre et nettoyez-les séparément. Le montage se fait dans l'ordre inverse ; assurez-vous que le filtre est monté correctement. [Fig. 9,10]

IMPORTANT : Contrôlez et maintenez régulièrement les filtres en suivant les instructions de maintenance du filtre. Cela permettra de maintenir une performance de nettoyage maximale.

Si la maille du filtre et le filtre sont endommagés, il faut les retirer immédiatement et les remplacer à temps pour éviter d'endommager le moteur de l'aspirateur.

NETTOYAGE DE L'AGITATEUR

Nettoyez l'agitateur régulièrement pour maintenir la performance de nettoyage maximale.

1. Arrêtez le robot et retournez-le.
2. Appuyez sur les attaches de la semelle pour retirer le couvercle de l'agitateur. [Fig. 11]
3. Soulevez l'agitateur en saisissant une de ses extrémités. [Fig. 12]
4. Utilisez la brosse de nettoyage pour enlever tout enchevêtrement de l'agitateur et la saleté sur les poils. Ne perdez pas le manchon en caoutchouc du roulement à billes.
5. Après le nettoyage, remettez l'agitateur et le couvercle de l'agitateur dans le robot.

Attention : Toutes les tâches d'entretien doivent être effectuées après avoir retiré le bac à poussière, afin d'éviter que la saleté contenue dans le réservoir ne se déverse accidentellement.

NETTOYAGE DES BROSSES LATÉRALES

Lorsque les brosses de nettoyage latérales sont sales, nettoyez-les à l'eau claire et séchez-les avant de les utiliser ; si la brosse de nettoyage latérales est endommagée et ne peut pas fonctionner normalement, veuillez la remplacer.

Attention !

Lorsque vous remplacez les brosses de nettoyage latérales, faites correspondre les marques « L » et « R » de la brosse avec les marques « L » et « R » situées au bas du robot.

NETTOYAGE DES ROUES MOTRICES [Fig. 13]

1. Mettez le Robot hors tension et retournez-le.
2. Retirez toute saleté ou tout poil coincé dans les roues.
3. Nettoyez les roues avec un chiffon sec.

NETTOYAGE DES LENTILLES DU CAPTEUR ANTI-CHUTE [Fig. 14]

Pour maintenir un fonctionnement sûr de votre robot, il est important de maintenir les capteurs anti-chute propres.

Il y a 3 capteurs situés sur le côté inférieur du robot. Retournez le robot et nettoyez-les avec un chiffon sec pour enlever toute accumulation de poussière, de saleté ou de débris.

CHANGEMENT DE LA BATTERIE [Fig. 15]

1. À l'aide d'un tournevis, retirez les vis du couvercle de la batterie situé en bas du robot ;
2. Retirez le couvercle des piles.
3. Débranchez le connecteur et retirez la batterie du logement ;
4. Placez la nouvelle batterie dans le logement et rebranchez-la au connecteur. Veillez à ce que le connecteur et les fils soient alignés correctement. Remontez le couvercle de la batterie et fermez-le avec les vis.
5. Remettez-le en marche pour vérifier s'il est normal.

Attention !

Veillez recycler les batteries remplacées selon une méthode respectueuse de l'environnement afin d'éviter toute pollution.

NOTICE IMPORTANTE

Utilisez uniquement les pièces de rechange approuvées pour votre robot.

L'utilisation de pièces non approuvées par Hoover est dangereuse et annulera votre garantie.

Si le robot ne sera pas utilisé pendant plusieurs mois, veuillez retirer les batteries et rangez-les dans un endroit frais et sec.

IMPORTANT : Avant toute opération d'entretien, veillez à ce que l'appareil soit éteint. Saisissez le robot toujours avec deux mains pour le soulever et le transporter et assurez-vous de tenir le robot droit. [Fig. 16] Lorsque vous allumez le robot, veillez à ne pas saisir le réservoir pour éviter toute ouverture accidentelle. [Fig. 17]

Vous devez éviter d'utiliser votre robot sous la lumière directe du soleil ou sur des surfaces noires polies car ces conditions affecteront négativement le comportement de votre robot.

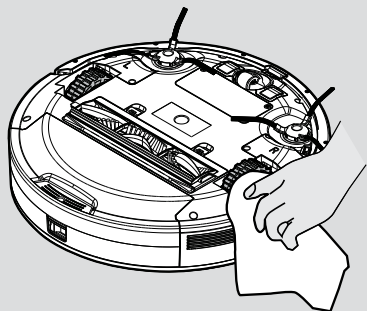


Fig. 13

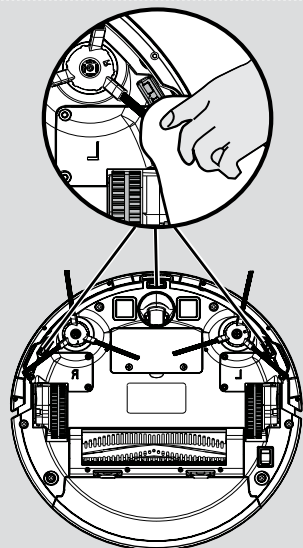


Fig. 14

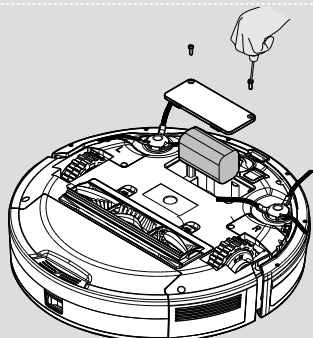


Fig. 15

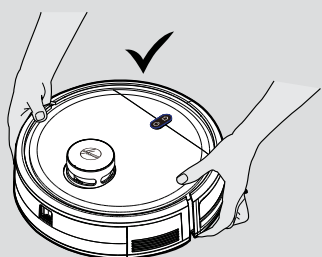


Fig. 16

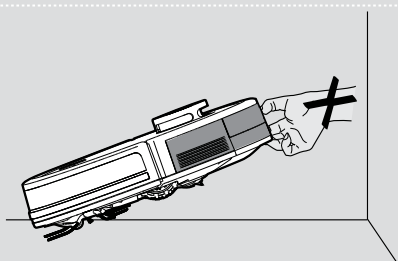


Fig. 17

DÉPANNAGE

Si vous avez des problèmes avec votre robot, suivez cette simple liste de vérification avant d'appeler le service après-vente Hoover.

• Le robot ne fonctionne pas lorsqu'il est allumé

Indicateur lumineux des boutons MARCHÉ/ARRÊT et Accueil	Actions
Clignotement des lumières blanche et bleue	Vérifiez que les brosses de nettoyage latérales sont propres et placées correctement
	Vérifier que l'agitateur est propre et placé correctement
Lumière blanche allumée	Vérifiez si le réservoir est correctement inséré
Clignotement des lumières blanche et bleue	Vérifiez que les roues motrices sont propres et fonctionnent
Clignotement des lumières bleue et bleue	Vérifiez que les capteurs anti-chute et le pare-choc frontal sont propres et en bon état de fonctionnement
Clignotement des lumières blanche	Vérifiez que la tour de télédétection par laser fonctionne

• Le robot ne se recharge pas automatiquement

Assurez-vous qu'il n'y a pas de barrière entre le robot et la base de recharge, et qu'aucun objet ne se trouve dans la zone autour de la base de recharge sur 2 mètres devant et 1 mètre de chaque côté.

• Le Robot est coincé

Le robot va tenter de se libérer lui-même mais dans certains cas, aidez-le.

• Le robot fait beaucoup de bruit en aspirant

Nettoyez le réservoir et le filtre, nettoyez et vérifiez l'agitateur et les roues motrices.

• La puissance d'aspiration est faible

Nettoyez le réservoir et le filtre, nettoyez et vérifiez l'agitateur et les roues motrices.

INFORMATIONS IMPORTANTES

PIÈCES DÉTACHÉES ET CONSOMMABLES HOOVER

Toujours remplacer les pièces par des pièces détachées de la marque Hoover. Celles-ci sont disponibles auprès de votre revendeur Hoover. Lors de la commande de pièces, veuillez toujours préciser le numéro de votre modèle.

QUALITÉ

La qualité des usines Hoover a fait l'objet d'une évaluation indépendante. Nos produits sont fabriqués selon un système de qualité conforme à la norme ISO 9001.

VOTRE GARANTIE

Les conditions de garantie de cet appareil sont définies par notre représentant dans le pays où il est vendu et peuvent être obtenues auprès de votre revendeur. Les détails concernant ces conditions peuvent être obtenus auprès du revendeur auprès duquel l'appareil a été acheté. La facture d'achat ou le reçu doivent être présentés pour toutes réclamations relevant des conditions de cette garantie.

Ces conditions peuvent être modifiées sans préavis.

HINWEISE FÜR DIE SICHERE BENÜTZUNG

Dieses Gerät ist nur zum Gebrauch im Haushalt und nicht für gewerbliche Zwecke bestimmt. Sie sollten das Gerät ausschließlich gemäß den Angaben in dieser Bedienungsanleitung verwenden. Vor dem Gebrauch des Gerätes muss die vorliegende Bedienungsanleitung vollständig gelesen und verstanden worden sein.

Schalten Sie das Gerät immer aus und ziehen den Stecker des Ladegerätes, bevor Sie das Gerät reinigen oder irgendwelche Wartungsarbeiten durchführen.

Dieses Gerät darf von Kindern ab 8 Jahren, sowie körperlich, geistig oder sensorisch behinderten Personen bzw. Personen ohne Erfahrung und Kenntnisse im Gebrauch nur unter Aufsicht oder unter Anleitung für die sichere Benutzung und den damit verbundenen Gefahren benutzt werden. Kinder sollten nicht mit dem Gerät spielen. Reinigungs- und Wartungsarbeiten dürfen von Kindern nur unter Aufsicht ausgeführt werden.

Ist das Netzkabel beschädigt, darf das Gerät NICHT mehr benutzt werden. Im Falle eines Defektes, darf das Netzkabel nur durch einen autorisierten Hoover-Kundendiensttechniker ausgetauscht werden.

Wenn zu reinigende Fläche einen Balkon oder Treppen einschließt, sollte eine physische Barriere den sicheren Betrieb gewährleisten und verhindern, dass das Gerät den Balkon oder die Treppe befährt. Kleine Kinder und Haustiere müssen während des Gerätebetriebs beaufsichtigt werden.

Das Gerät stets witterungsgeschützt im Haus aufbewahren. Verwenden Sie das Gerät nicht im Freien und setzen Sie es nicht Wettereinflüssen, Feuchtigkeit (z.B. nasse Böden) oder Wärmequellen (z.B. Öfen, Kamine etc.) aus. Setzen Sie den Saugroboter oder das Zubehör **keiner** übermäßigen Wärme oder Kälte aus (nur für Temperaturen zwischen 0 – 30 °C).

Lassen Sie den Saugroboter **nicht** herunterfallen und verwenden Sie kein Zubehör, das herunter oder ins Wasser fiel, beschädigt oder im Freien gelagert wurde.

Ziehen Sie nie den Netzstecker, indem Sie am Kabel ziehen.

Verwenden Sie ihn **nicht** zur Reinigung von Treppen.

Akku laden

Verwenden Sie nur das Originalladegerät, das mit dem Gerät geliefert wurde.

Stellen Sie sicher, dass die Versorgungsspannung mit der auf dem Ladegerät angegebenen Spannung übereinstimmt.

Akkus niemals bei Temperaturen über 30°C oder unter 0°C aufladen!

Stecken Sie den Stecker des mitgelieferten Ladegeräts in eine Steckdose.

Es können Flüssigkeiten von den Akkuzellen bei extremem Gebrauch oder unter extremen Temperaturen auftreten. Wenn Flüssigkeiten die Haut berühren, dann spülen Sie die Hautstellen sofort mit klarem Wasser ab. Wenn Flüssigkeit in die Augen gelangt, dann spülen Sie sie sofort mit sauberem Wasser für mindestens 10 Minuten aus. Suchen Sie einen Arzt auf.

Es ist normal, dass sich das Ladegerät während des Ladevorgangs erwärmt.

Verwenden Sie nur Zubehör, Verbrauchsmaterial oder Ersatzteile, die von Hoover empfohlen oder geliefert werden.

Keine harten oder scharfen Objekte, Streichhölzer, heiße Asche, Zigarettenstummel oder Ähnliches aufsaugen.

Keine entflammaren Flüssigkeiten, Reinigungsmittel, Aerosole oder deren Dampf versprühen oder aufsaugen.

Das Gerät oder die Ladevorrichtung **nicht** weiter nutzen, wenn Sie eine Fehlfunktion vermuten.

Hoover-Kundendienst: Um auf Dauer den sicheren und effizienten Betrieb dieses Gerätes zu gewährleisten, empfehlen wir, Wartungs- und Reparaturarbeiten ausschließlich von einem zugelassenen Hoover-Kundendiensttechniker durchführen zu lassen.

Das Gerät **nicht** verwenden, um Tiere oder Personen zu säubern.

Die Originalakkus **keinesfalls** durch andere nichtwiederaufladbare Batterien ersetzen.

Wenn der Saugroboter längere Zeit (mehrere Wochen) nicht verwendet werden soll, ziehen Sie den Stecker des Netzteils ab.

Entsorgung der Akkus

Wenn das Gerät entsorgt wird, müssen zuvor die Akkus entfernt werden. Das Gerät muss von der Stromnetz getrennt sein, wenn die Akkus entnommen werden. Entsorgen Sie die Akkus ordnungsgemäß. Lassen Sie das Gerät laufen, bis die Akkus leer sind und es von selber stoppt. Gebrauchte Akkus sollten zum Recycling zurückgegeben und nicht mit dem Hausmüll entsorgt werden. Um die Akkus herauszunehmen, wenden Sie sich bitte an das Hoover-Kundendienst oder führen Sie folgende Schritte aus.

Trennen Sie das Ladegerät von der Steckdose und schalten Sie den Saugroboter aus. Drehen Sie den Saugroboter um und legen Sie ihn auf eine ebene Fläche. Entfernen Sie die Schrauben und den Batteriefachdeckel. Nehmen Sie den Akkupack heraus.

HINWEIS: Sollten Sie irgendwelche Schwierigkeiten beim Auseinandernehmen des Gerätes haben oder detailliertere Informationen zur Behandlung, Reparatur oder zum Recycling des Gerätes benötigen, kontaktieren Sie bitte Ihre Stadtverwaltung oder den lokalen Entsorgungsdienst für Haushaltsabfälle.

WICHTIGE HINWEISE VOR DER VERWENDUNG

Beachten Sie sorgfältig die folgenden Informationen, bevor Sie den Saugroboter oder dessen Zubehör verwenden.

Demontieren Sie den Saugroboter nicht und versuchen Sie nicht, ihn selbst zu reparieren. Sollte ein Fehler auftreten, kontaktieren Sie bitte den Hoover-Kundenservice für professionelle Hilfe.

Treppen: Mithilfe von Sensoren wird verhindert, dass der Saugroboter Treppen oder Stufen herunterfällt oder eine Kante überfährt. Bestimmte Faktoren können jedoch die Funktion der Sensoren beeinträchtigen.

Der Saugroboter kann Stufen nicht erkennen, die nicht mindestens 8 cm hoch sind. Bei Stufen mit weniger als 8 cm Höhe kann der Saugroboter diese Stufen herunterfallen. Falls verfügbar, können Sie über die App die verbotenen Bereiche oder virtuellen Barrieren einstellen, um Ihren Roboter vor Abstürzen zu schützen.

Die Sensorfunktionen werden durch stark reflektierende oder sehr dunkle Oberflächen, beispielsweise Glas oder polierte Keramik von Stufen oder Treppen, gestört, sodass der Saugroboter diese Stufen herunterfallen kann. Falls verfügbar, können Sie über die App verbotene Bereiche oder virtuelle Barrieren festlegen oder einen Teppich auf die untere Stufe einstellen, um Ihren Roboter vor Abstürzen zu schützen.

Der Einsatz des Saugroboters auf Terrassen, Rampen oder erhöhten Flächen ohne Randbegrenzung sollte vermieden werden. Falls verfügbar können Sie über die App die verbotenen Bereiche oder virtuellen Barrieren festlegen, damit Ihr Roboter nicht in diese Bereiche fährt.

Verwenden der Akkus: Ihr Saugroboter wird durch aufladbare Lithiumakkus mit hoher Kapazität mit Strom versorgt. Diese Akkus sind bei ordnungsgemäßer Nutzung wie in dieser Anleitung beschrieben, garantiert bis zu 6 Monate lang verwendbar.

Bei einem deutlichen Leistungsverlust des Saugroboters können Sie Ersatzakkus von Ihrem Hoover-Fachhändler erhalten.

Verwenden Sie für Ihren Saugroboter nur von Hoover zugelassene Ersatzteile. Die Verwendung von Zubehör- und Ersatzteilen, die nicht von Hoover zugelassen sind, ist gefährlich und kann ggf. die Garantieleistung beeinträchtigen.

Verwenden Sie zum Aufladen Ihres Roboters nur die mitgelieferte Ladestation und das Netzteil. Die Verwendung einer falschen Ladestation oder eines falschen Netzteils ist gefährlich und führt möglicherweise dazu, dass Ihre Garantie erlischt.

Frequenzbereiche	2412 MHz to 2472 MHz
Maximale HF-Leistung, die im Frequenzband übertragen wird	802.11 b: +15.95 dBm 802.11 g: +14.91 dBm 802.11 n20: +13.78 dBm

Umweltschutz

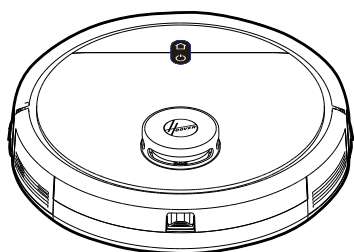
Das am Gerät angebrachte Symbol gibt an, dass dieses Gerät nicht als Hausmüll behandelt werden darf, sondern an einer entsprechenden Sammelstelle für das Recycling von elektrischen und elektronischen Geräten zu entsorgen ist. Die Entsorgung ist in Übereinstimmung mit allen geltenden Vorschriften für die umweltgerechte Abfallentsorgung vorzunehmen. Ausführlichere Informationen über die Müllbehandlung und das Recycling dieses Gerätes erhalten Sie von der zuständigen Umweltbehörde, der Müllentsorgungsstelle Ihrer Kommune oder dem Händler, bei dem Sie das Gerät erworben haben.



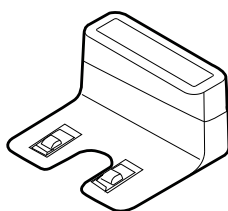
CE Dieses Gerät erfüllt die Europäischen Richtlinien 2014/53/EU, 2014/30/EU und 2011/65/EU. Für eine Kopie der Konformitätserklärung kontaktieren Sie bitte den Hersteller auf seiner Website www.candy-group.com

CANDY HOOVER GROUP Srl Via Privata Eden Fumagalli, 20861 Brugherio (MB) Italy

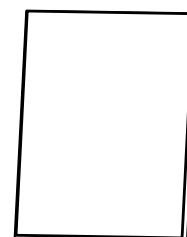
LIEFERUMFANG*



Saugroboter



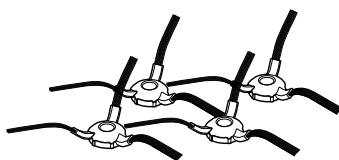
Ladestation



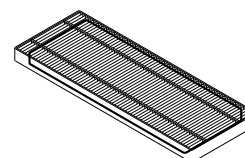
Bedienungsanleitung



Netzteil



X4 Kantenreinigungsbürste

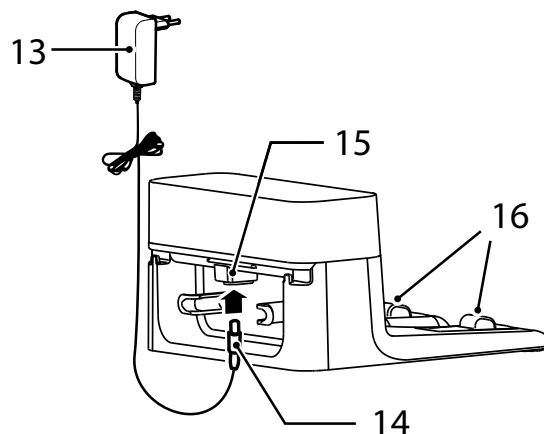
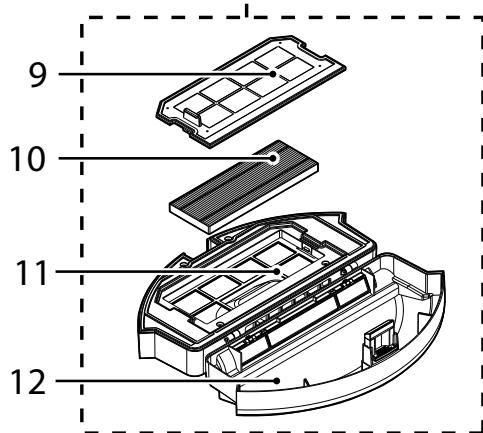
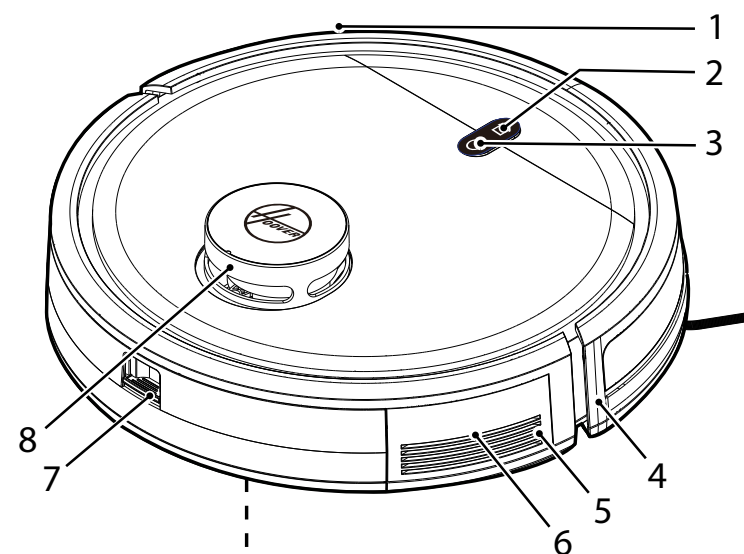


Zusatzfilter für Roboter



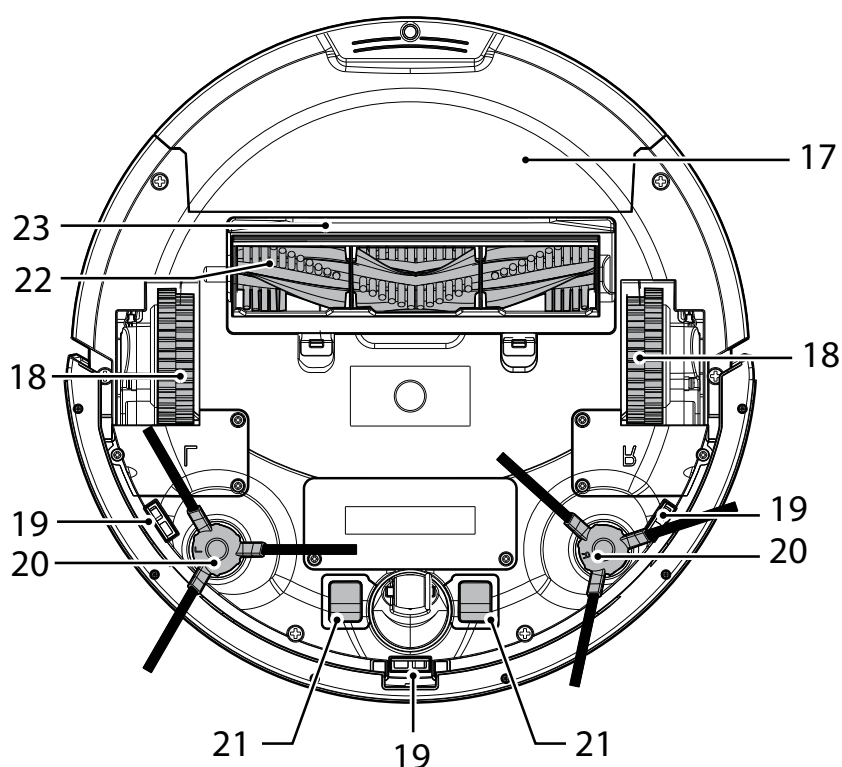
Reinigungsbürste

MACHEN SIE SICH MIT IHREM SAUGROBOTER VERTRAUT



1	Vorderer Stoßschutz
2	HOME-Taste (Ladestation)
3	Ein-/Aus-Taste
4	Signalempfänger vorne
5	Lautsprecher
6	Reset-Taste (Rote Taste)
7	Entriegelungsknopf für Staubbehälter
8	Lidar-Tower
9	Grobschmutzfilter
10	EPA-Filter
11	Obere Staubbehälterabdeckung
12	Untere Staubbehälterabdeckung

13	Netzteil
14	Anschluss für Netzteil
15	DC-Anschluss, Ladestation
16	Ladegerätkontakte



17	Staubbehälter
18	Antriebsrad
19	Absturzsicherungssensor
20	Kantenreinigungsbürste
21	Roboterladekontakte
22	Rotierende Bürstwalze
23	Obere Bürstwalzenabdeckung

VORBEREITUNG DES SAUGROBOTERS

VERPACKUNG

Bewahren Sie die Verpackung des Saugroboters auf. Möglicherweise ist in der Zukunft eine gültige Garantie erforderlich.

Achten Sie beim Auspacken des Saugroboters und des Zubehörs darauf, dass Kleinkinder, Babys und Tiere nicht mit den Plastiktüten spielen, um eine Erstickungsgefahr auszuschließen.

Laden Sie den Staubsauger vor der ersten Benutzung min. 4-6 Stunden lang auf. **[Abb. 1]**

Setzen Sie das Netzteil des Saugroboters nicht Temperaturen unter 0 °C oder über 30 °C aus, da dadurch der Akku beschädigt werden kann.

Das Netzteil darf nur direkt an eine Standardwandsteckdose angeschlossen werden.

BATTERIE

Um eine optimale Akkuleistung zu gewährleisten, sollten Sie die Akkus des Saugroboters immer voll aufladen.

Wenn der Saugroboter nicht verwendet wird, sollte er mit Ladestation verbunden sein. Der Roboter verfügt über ein intelligentes Ladesystem, dieses verhindert, dass die Akkus überladen werden.

Achten Sie darauf, dass jeder Person im Zimmer die Existenz des Saugroboters bekannt ist, um Unfälle zu vermeiden.

VORBEREITUNG IHRES ZUHAUSES

Entfernen Sie vor dem Gebrauch Hindernisse, die den Weg des Roboters versperren könnten. Achten Sie dabei auf:

- Gegenstände, die leicht umgestoßen werden können.
- Kanten, Teppiche oder Läufer, in denen er sich verfangen könnte.
- Bodenlange Vorhänge, Gardinen und Tischdecken.
- Wärmequellen oder entflammbare Gegenstände.
- Stromkabel und andere Kabel.
- Zerbrechliche Gegenstände.

EINSTELLUNG DER LADESTATION

1. Stecken Sie das Netzteil in die Steckdose und verbinden Sie es mit der Ladestation. **[Abb. 2]**
2. Achten Sie dabei darauf, dass das Netzkabel nicht unter der Ladestation eingeklemmt wird.
3. Stellen Sie die Ladestation auf einen nicht reflektierenden, ebenen Boden, vorzugsweise an eine Wand. Wenn der Boden zu stark reflektiert, stört dies das Navigationssystem des Roboters, und er hat möglicherweise Schwierigkeiten, die Ladestation zu finden.
4. Im Umkreis von 2 Metern vor der Ladestation und 1 Meter rechts und links davon dürfen sich keine Gegenstände befinden. **[Abb. 2]**
5. Stellen Sie sicher, dass das Kabel nicht verheddert oder überspannt ist. Wenn Sie zu viel Kabel haben, verwenden Sie einen Kabelbinder, um das Stromkabel ordentlich zu lagern.
6. Kontrollieren Sie, ob der Staubbehälter richtig im Roboter eingesetzt ist.
7. Drücken Sie die beiden Kantenreinigungsbürsten in die Halterungen, bis sie einrasten. Beachten Sie die Bezeichnungen L und R auf dem Gerät und den Bürsten. **[Abb. 3]**
8. Nehmen Sie die Schwämme aus dem Saugroboter. Führen Sie Ihren Roboter in die Ladestation, um zu beginnen. Beim normalen Gebrauch kann es bis zu 4/5 Stunden dauern, um das Gerät vollständig zu laden.

AKKU AUFLADEN **[Abb. 4]**

Halten Sie die EIN/AUS-Taste des Roboters 3 bis 5 Sekunden lang gedrückt, um den Roboter einzuschalten, und stellen Sie ihn vor der Ladestation ab.

Drücken Sie die Home-Taste (Ladestation) am Roboter und vergewissern Sie sich, dass er zur Ladestation fährt.

Für eine optimale Batterieleistung wird empfohlen, den Akku des Roboters immer vollständig aufzuladen.

Wenn der Akku geladen wird, blinken die EIN-/AUS- und Home-Taste (Ladestation) weiß.

Nachdem der Akku vollständig aufgeladen ist, schalten sich die Leuchten aus.

Automatisches Laden

Wenn die Akkukapazität des Roboters während der Reinigung niedrig ist, unterbricht der Saugroboter die Reinigung und fährt zur Ladestation, um die Akkus aufzuladen.

Nachdem der Saugroboter die Reinigung abgeschlossen hat, schaltet er automatisch in den Auflademodus und sucht nach der Ladestation, um die Akkus aufzuladen.

HINWEIS: Stellen Sie sicher, dass die Ladekontakte des Roboters und der Ladestation nicht verschmutzt sind. Reinigen Sie die Ladekontakte bei Bedarf.

Wenn sich der Roboter aufgrund eines entladenen Akkus nicht einschalten lässt, tragen Sie ihn zum Aufladen der Akkus zur Ladestation. Die Ladekontakte sollten aufeinander ausgerichtet sein und die Kantenreinigungsbürste sollte nicht zwischen den Ladekontakten stecken bleiben.

Akku

Im Laufe der Zeit nimmt die Kapazität Ihres Roboterakkus ab, und er muss erneuert werden. Ein Ersatzakku kann bei einem autorisierten Hoover-Händler erworben werden. Verwenden Sie nur Original-Ersatzteile und -Zubehör von Hoover.

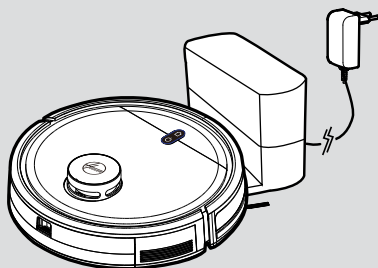


Abb. 1

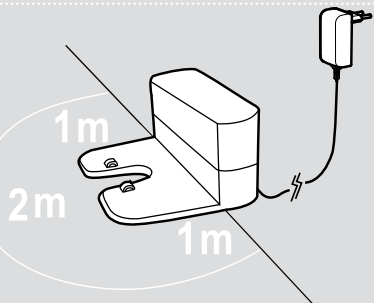


Abb. 2

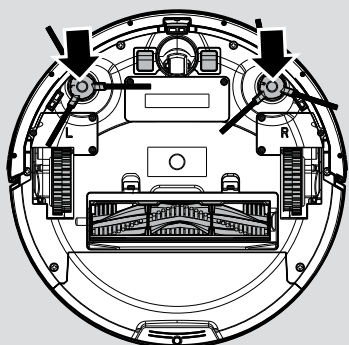


Abb. 3

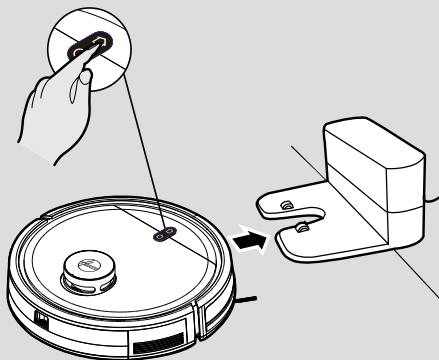


Abb. 4

VERWENDUNG DES SAUGROBOTERS

• Home-Taste (Ladestation)

Kurz drücken: Aufladen

Lang drücken: App-Verbindung

Anzeigeleuchte:

Weißes blinkendes Licht: Aufladen

Weißes schnell blinkendes Licht: App-Verbindung

• Ein-/Aus-Taste

Langes Drücken: Einschalten (wenn der Roboter ausgeschaltet ist)

Langes Drücken: Ausschalten (wenn der Roboter eingeschaltet ist)

Kurzes drücken: Start/Pause (wenn der Roboter im Schlafmodus ist)

Anzeigeleuchte:

Blaues blinkendes Licht: Standby-Modus

Blaues kontinuierlich leuchtendes Licht: Arbeitsmodus

Blaues Licht ausgeschaltet: Schlafmodus

1. Der Betrieb des Roboters: Schlafmodus > Standby-Modus > Arbeitsmodus

A. Schlafmodus: Wenn sich der Roboter im Standby-Modus befindet und 3 Minuten lang nicht gearbeitet hat, schaltet er automatisch in den Schlafmodus um. Wenn sich der Roboter im Schlafmodus befindet, ist die Tastenbeleuchtung ausgeschaltet, und der Roboter steht still.

B. Standby-Modus: Wenn sich der Roboter im Standby-Modus befindet, blinkt die Tastenbeleuchtung blau, und der Roboter steht still.

C. Arbeitsmodus: Wenn sich der Roboter im Arbeitsmodus befindet, leuchtet die Tastenbeleuchtung immer blau, und der Roboter befindet sich im Reinigungsmodus.

2. Pause

Pause bedeutet, dass der Roboter vom Arbeitsmodus in den Standby-Modus geschaltet wird. Dies kann durch Drücken der EIN-/AUS-Taste am Roboter oder über die mobile App gesteuert werden.

Achtung! [Abb. 5]

Wenn sich der Roboter im Schlafmodus befindet, drücken Sie zweimal die EIN-/AUS-Taste am Roboter, damit er mit der Reinigung beginnt.

Wenn der Roboter längere Zeit nicht benutzt wird, drücken Sie lange auf die EIN-/AUS-Taste, um den Roboter auszuschalten. Wenn der Roboter abstürzt, drücken Sie bitte die Reset-Taste an der Hupe für 2-3 Sekunden mit einer Nadel von weniger als 2 mm Durchmesser, um ihn zwangsweise auszuschalten.

APP HERUNTERLADEN UND ÜBER DAS WLAN VERBINDEN [Abb. 6]

Um von überall auf alle Funktionen des Roboters zugreifen zu können, empfehlen wir, die HG5 APP herunterzuladen. Sie können den Roboter damit auf die effizienteste Art und Weise steuern.

1. Laden Sie die HG5 APP von Ihrem App Store, Google Play oder der APP Gallery herunter.
2. Öffnen Sie die APP, erstellen Sie ein Konto mit Ihrer E-Mail und einem Passwort. Bestätigen Sie die Anmeldung.
3. Stellen Sie sicher, dass Ihr Mobilgerät mit dem WLAN verbunden ist.
4. Klicken Sie auf der APP auf "Gerät hinzufügen" und folgen Sie den Anweisungen, um die Kopplung abzuschließen.

ACHTUNG

Der WLAN-Name darf nicht länger als 32 Zeichen sein.

Wenn die Verbindung fehlgeschlagen ist, führen Sie folgende Schritte aus:

- Stellen Sie sicher, dass Sie das richtige WLAN-Router-Passwort eingegeben haben
- Stellen Sie sicher, dass Ihr WLAN-Netzwerk auf 2,4 GHz eingestellt ist
- Stellen Sie sicher, dass sich der Roboter in der Nähe des Routers befindet.

MIT DER HG5 APP

Nachdem Sie Ihren Roboter erfolgreich gekoppelt haben, können Sie die „Landkarte“ Ihres Zuhauses erstellen. Damit haben Sie Zugriff auf vollständig anpassbare Einstellungen und Reinigungspläne Ihres Roboters.

Klicken Sie auf das Roboter-Symbol, um die Kartenseite zu öffnen. Denken Sie daran, bevor Sie den Roboter einschalten, alle Hindernisse auf dem Boden zu entfernen (Kabel, Socken, Schuhe). Tippen Sie auf die Schaltfläche EINSCHALTEN, damit der Roboter mit der Kartierung Ihrer Wohnung beginnt. Die Karte wird auf Ihrer Startseite erstellt. Sobald der Roboter Ihre gesamte Wohnung gescannt hat, sehen Sie die komplette Karte auf Ihrem Handy. Sie können jedem Raum einen Namen geben, ihn individuell gestalten und einen eigenen Reinigungsplan einrichten (Saugkraft, Wischstufe, Reinigungshäufigkeit usw.).

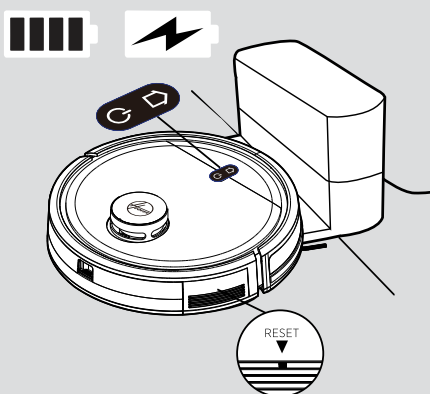


Abb. 5

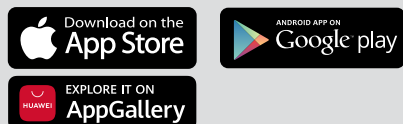


Abb. 6

- Reinigungszeit: Zeigt die Dauer des letzten Reinigungsvorgangs an.
- Gereinigte Fläche: zeigt die Anzahl Quadratmeter an, die der Roboter während der letzten Reinigung gereinigt hat
- Akku: aktueller Ladezustand des Akkus
- EINSCHALTEN (👤)

Der Roboter beginnt mit der Reinigung gemäß den aktuellen Reinigungseinstellungen.

- ZURÜCK ZUM AUFLADEN (🔌)

Der Roboter kehrt zur Ladestation zurück.

* Alle anderen Symbole schalten sich ein und sind nur verfügbar, wenn Sie auf das Symbol Einschalten tippen.

- ZU EINEM ORT GEHEN (📍)

Sie können einen bestimmten Ort auf der Karte auswählen, damit der Roboter dorthin fährt und mit der Reinigung gemäß den aktuellen Reinigungseinstellungen beginnt.

- EINEN RAUM AUSWÄHLEN (🏠)

Wählen Sie einen bestimmten Raum auf der Karte aus. Der Roboter fährt dorthin und beginnt mit der Reinigung gemäß den Einstellungen für die Raumreinigung.

- EINEN BEREICH AUSWÄHLEN (📏)

Wählen Sie einen bestimmten Bereich auf der Karte aus. Der Roboter fährt dorthin und beginnt mit der Reinigung gemäß den aktuellen Reinigungseinstellungen.

- VERBOTENE BEREICHE (🚫)

Sie können einen Bereich festlegen, in den der Roboter nicht fahren darf. So können Verbotene Bereiche für das Wischen, für das Saugen oder für beides festlegen.

- INDIVIDUELL ANPASSEN (🔧)

Passen Sie Räume auf der Karte an. Es ist möglich, verschiedene Räume zusammenzulegen oder zu teilen, die Karte vollständig zurückzusetzen, Räume umzubenennen, den Reinigungsplan für jeden Raum festzulegen oder die Reinigungsreihenfolge für die Räume festzulegen.

- EINSTELLUNGEN (...)

Vollständige Liste der Einstellungen des Roboters

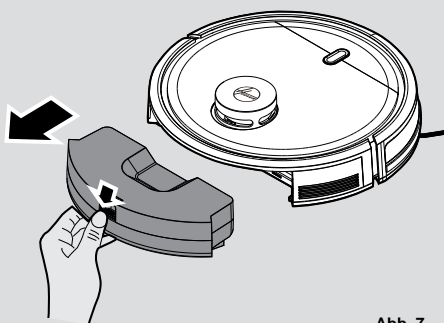


Abb. 7

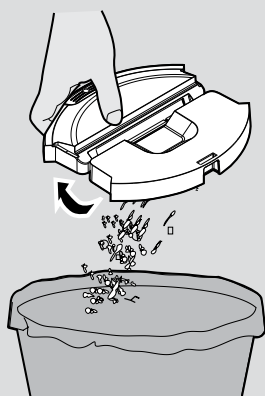


Abb. 8

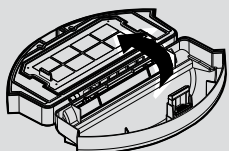


Abb. 9

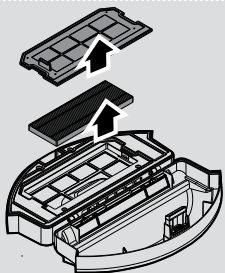


Abb. 10

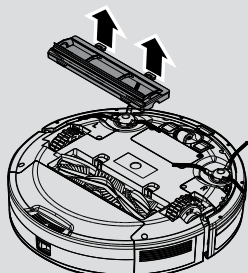


Abb. 11

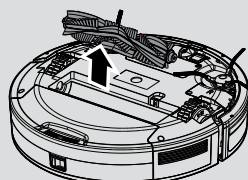


Abb. 12

WARTUNG IHRES SAUGROBOTERS

STAUBBEHÄLTER LEEREN

Bevor Sie Wartungsarbeiten ausführen, prüfen Sie bitte, ob der Saugroboter ausgeschaltet ist.

1. Schalten Sie den Roboter aus und nehmen Sie ihn aus der Ladestation.
2. Verwenden Sie ein trockenes Tuch, um alle Oberflächen zu reinigen. Lassen Sie bei der Reinigung KEIN Wasser in Teile des Gerätes eindringen.

Entfernen Sie nach dem Staubsaugen den Staubbehälter.

1. Drücken Sie hierzu den Entriegelungsknopf und ziehen Sie ihn heraus. **[Abb. 7]**
2. Entleeren Sie den Staubbehälter über einem Abfalleimer aus. **[Abb. 8]**
3. Verwenden Sie bei Bedarf die Reinigungsbürste, um überschüssigen Staub von der Innenfläche des Staubbehälters oder der Filteroberfläche zu entfernen.
4. Setzen Sie den Staubbehälter wieder in den Roboter ein.

REINIGUNG DER FILTER

Der Roboter ist mit einem Vormotorfilter ausgestattet. Um eine optimale Reinigungsleistung beizubehalten, sollten Sie den Filterdeckel und den Vormotorfilter regelmäßig reinigen. Sie sollten nach jedem 5. Entleeren des Staubbehälters diesen reinigen, aber nicht waschen.

1. Nehmen Sie nach dem Saugen den Staubbehälter ab. Drücken Sie hierzu auf die Freigabetaste und ziehen Sie ihn heraus. **[Abb. 7]**
2. Leeren Sie den Staubbehälter. **[Abb. 8]** Öffnen Sie den Staubbehälter und nehmen Sie das Filtersieb zusammen mit dem Filter heraus. Entfernen Sie dann den EPA-Filter vom Filtersieb und reinigen Sie ihn separat. Der Zusammenbau erfolgt in umgekehrter Reihenfolge. Achten Sie dabei darauf, dass der Filter richtig zusammengesetzt wird. **[Abb. 9,10]**

WICHTIG: Überprüfen und warten Sie die Filter regelmäßig entsprechend den Filterwartungsanweisungen. Diese Maßnahmen garantieren die maximale Reinigungsleistung des Roboters.

Wenn das Filtergewebe und der Filter beschädigt sind, sollten sie sofort entfernt und rechtzeitig ersetzt werden, um Schäden am Motor des Staubsaugers zu vermeiden.

BÜRSTWALZE REINIGEN

Reinigen Sie die rotierende Bürstwalze regelmäßig, um die optimale Reinigungsleistung zu erhalten.

1. Schalten Sie den Roboter aus und drehen Sie ihn um.
2. Um die Abdeckung der Bürstwalze zu entfernen, drücken Sie die Clips an der Bodenplatte. **[Abb. 11]**
3. Heben Sie die Bürstwalze an einem Ende nach oben. **[Abb. 12]**
4. Entfernen Sie mit der Reinigungsbürste die Verunreinigungen von der Bürstwalze und den Schmutz von den Borsten. Achten Sie dabei darauf, dass Sie die Gummimanschette am Kugellager nicht verlieren.
5. Setzen Sie die Bürstwalze und ihre Abdeckung nach der Reinigung wieder in den Roboter ein.

Achtung: Führen Sie alle Wartungsarbeiten immer nach der Entnahme des Staubbehälters durch, um zu vermeiden, dass der Schmutz im Staubbehälter versehentlich ausgekippt wird.

REINIGUNG DER KANTENREINIGUNGSBÜRSTEN

Wenn die Kantenbürsten verschmutzt sind, reinigen Sie sie mit klarem Wasser und lassen Sie sie vor dem Gebrauch trocknen. Wenn die Kantenbürste beschädigt ist und nicht normal funktioniert, tauschen Sie sie bitte aus.

Achtung!

Beim Auswechseln der Kantenreinigungsbürsten müssen die Markierungen „L“ und „R“ auf der Bürste mit den Markierungen „L“ und „R“ auf der Unterseite des Roboters übereinstimmen.

REINIGUNG DER ANTRIEBSRÄDER [Abb. 13]

1. Schalten Sie den Saugroboter aus und drehen Sie ihn um.
2. Entfernen Sie Schmutz oder Haare, die sich in den Rädern verfangen haben.
3. Reinigen Sie die Räder mit einem trockenen Tuch.

REINIGUNG DER LINSE DES ABSTURZSICHERUNGSSENSORS [Abb. 14]

Um den sicheren Betrieb Ihres Roboters zu gewährleisten, ist es wichtig, die Absturzsicherungssensoren sauber zu halten.

An der Unterseite des Roboters befinden sich 3 Sensoren. Drehen Sie den Roboter um und reinigen Sie die Sensoren mit einem trockenen Tuch, um jegliche Ansammlung von Staub, Schmutz oder Ablagerungen zu entfernen.

AKKUS WECHSELN [Abb. 15]

1. Entfernen Sie die Schrauben der Akkuabdeckung an der Unterseite des Roboters mit einem Schraubendreher.
2. Entfernen Sie die Akkufachabdeckung.
3. Ziehen Sie den Stecker ab und nehmen Sie den Akku aus dem Fach.
4. Legen Sie den neuen Akku in das Fach ein und schließen Sie sie ihn an den Stecker an. Achten Sie dabei auf die korrekte Ausrichtung des Steckers und der Kabel. Befestigen Sie die Akkufachabdeckung wieder und sichern Sie sie mit den Schrauben.
5. Schalten Sie den Roboter ein und überprüfen Sie, ob er normal funktioniert.

Achtung!

Bitte recyceln Sie die ausgetauschten Akkus auf umweltfreundliche Weise, um eine Verschmutzung der Umwelt zu vermeiden.

WICHTIGER HINWEIS

Verwenden Sie nur zugelassene Ersatzteile für Ihren Roboter.

Das Verwenden von Teilen, die nicht von Hoover zugelassen wurden, ist gefährlich und führt eventuell dazu, dass Ihre Garantie erlischt.

Wenn der Roboter mehrere Monate lang nicht benutzt wird, nehmen Sie bitte die Akkus heraus und lagern Sie sie an einem kühlen, trockenen Ort.

WICHTIG: Achten Sie, bevor Sie Wartungsarbeiten durchführen, immer darauf, dass Ihr Gerät ausgeschaltet ist. Verwenden Sie zum Heben und Tragen immer zwei Hände und stellen Sie sicher, dass der Roboter dabei waagrecht gehalten wird. [Abb. 16]

Um ein versehentliches Öffnen des Staubbehälters zu verhindern, achten Sie beim Anheben des Saugroboters darauf, dass Sie den Staubbehälter nicht berühren. [Abb. 17]

Sie sollten Ihren Reinigungsroboter nicht bei direkter Sonneneinstrahlung oder auf dunklen polierten Oberflächen verwenden, weil diese Bedingungen das Verhalten Ihres Roboters negativ beeinträchtigen.

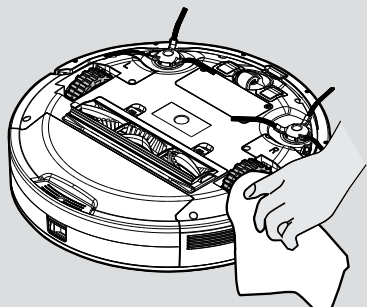


Abb. 13

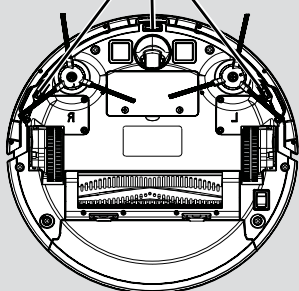
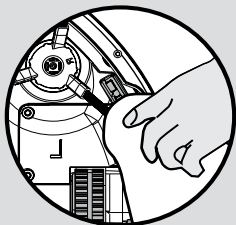


Abb. 14

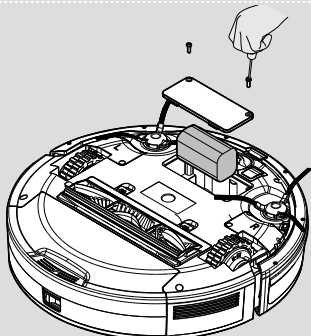


Abb. 15

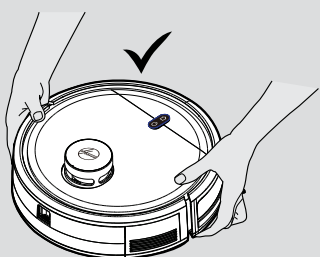


Abb. 16

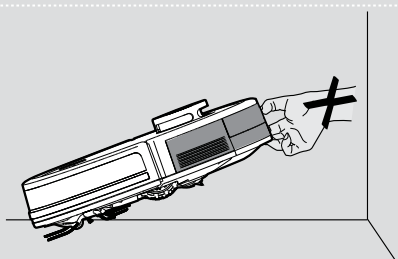


Abb. 17

FEHLERSUCHE

Wenn Sie ein Problem mit Ihrem Roboter haben, befolgen Sie diese einfache Checkliste, bevor Sie das Hoover-Kundendienstzentrum anrufen.

• Der Roboter funktioniert nicht, wenn er eingeschaltet ist

Leuchtanzeige der EIN-/AUS- und Home-Taste	Maßnahmen
Weiß und blau blinkend	Prüfen Sie, ob die Kantenreinigungsbürste sauber und richtig eingesetzt sind.
	Prüfen Sie, ob die Bürstwalze sauber und richtig eingesetzt ist.
Weiß leuchtend	Prüfen Sie, ob der Staubbehälter richtig eingesetzt ist
Weiß und hellblau blinkend	Prüfen Sie, ob die Antriebsräder sauber sind und funktionieren
Blaue und hellblaue blinkend	Prüfen Sie, ob die Absturzsensoren und der vordere Stoßfänger sauber und funktionsfähig sind
Weiß blinkend	Prüfen Sie, ob der Lidar-Tower funktioniert

• Der Akku des Roboters lädt sich nicht automatisch auf

Vergewissern Sie sich, dass sich keine Hindernisse zwischen dem Roboter und der Ladestation befinden und dass sich im Umkreis von 2 Metern vor und 1 Meter rechts und links von der Ladestation keine Gegenstände befinden.

• Der Roboter ist gefangen

Der Roboter versucht, sich selbst zu befreien. Es gibt aber Fälle, in denen er von Hand umgesetzt werden muss.

• Der Roboter ist während der Reinigung sehr laut

Reinigen Sie den Staubbehälter und den Filter, reinigen und überprüfen Sie die Bürstwalze und die Antriebsräder.

• Die Reinigungsleistung ist schwach

Reinigen Sie den Staubbehälter und den Filter, reinigen und überprüfen Sie die Bürstwalze und die Antriebsräder.

WICHTIGE INFORMATIONEN

Hoover Originalersatzteile und Verbrauchsartikel

Verwenden Sie stets Originalersatzteile von Hoover. Diese sind über den Hoover-Kundendienst erhältlich. Geben Sie bei der Bestellung von Ersatzteilen bitte stets die komplette 16stellige Artikelnummer (Typenplakette auf der Rückseite des Gerätes) Ihres Gerätemodells an.

QUALITÄT

Die Hoover-Werke wurden unabhängig voneinander jeweils einer Qualitätsprüfung unterzogen. Unsere Produkte werden nach einem Qualitätsstandard hergestellt, der die Anforderungen von ISO 9001 erfüllt.

GARANTIEERKLÄRUNG

Die Garantiebestimmungen für dieses Gerät entsprechen den Richtlinien des Landes, in dem Sie das Gerät erworben haben. Weitere Einzelheiten dazu erhalten Sie vom Händler, bei dem Sie das Gerät erworben haben oder aus dem Garantieheft, das der Verpackung beiliegt. Bitte bewahren Sie den Kaufbeleg sorgfältig auf, denn er wird für eventuell auftretende Garantieansprüche benötigt.

Änderungen vorbehalten.

ISTRUZIONI PER UN USO SICURO

Questo apparecchio deve essere utilizzato esclusivamente in ambito domestico per interventi di pulizia, secondo le istruzioni riportate nel presente documento. Accertarsi di aver compreso le istruzioni prima di mettere in funzione l'apparecchio.

Prima di procedere alla pulizia dell'apparecchio o effettuare qualsiasi operazione di manutenzione, spegnerlo sempre e rimuovere il caricatore dalla presa.

Questo elettrodomestico non è destinato a essere utilizzato da bambini di età inferiore a 8 anni e da persone dalle ridotte capacità fisiche, sensoriali o mentali, o senza esperienza a causa di una inadeguata informazione sull'uso in sicurezza dell'apparecchio e sui relativi pericoli. Controllare che i bambini non giochino con l'apparecchio. Pulizia e manutenzione non possono essere eseguite da bambini senza sorveglianza da parte di una persona responsabile.

Se il cavo di alimentazione è danneggiato, interrompere immediatamente l'utilizzo dell'apparecchio. Per evitare pericoli, il cavo di alimentazione dovrà essere sostituito da un tecnico del servizio assistenza autorizzato Hoover.

Se l'area da pulire è adiacente a balconi o a scale, è necessario creare una barriera fisica per impedirne l'accesso e garantire un funzionamento sicuro. Durante il funzionamento del Robot, bambini ed animali domestici devono essere sorvegliati.

Riporre sempre l'apparecchio in posti chiusi. Non usare all'esterno e non esporre l'apparecchio agli agenti atmosferici, all'umidità o a fonti di calore (forno, camino, pavimento bagnato).

Non esporre il Robot o gli accessori ad eccessive fonti di calore / freddo (mantenerli tra i 0-30 °C).

Non utilizzare l'apparecchio o gli accessori nel caso siano caduti per terra, danneggiati, lasciati all'aperto o caduti in acqua.

Non scollegare mai o tirare il trasformatore di alimentazione di rete dal cavo di alimentazione.

Non usare per pulire le scale.

Caricamento della batteria

Per ricaricare l'apparecchio, usare solo il caricatore in dotazione.

Controllare che i dati indicati sul caricatore corrispondano alla vostra tensione di alimentazione.

Mai caricare le batterie a temperature superiori ai 30 °C o inferiori a 0 °C.

Inserire la spina del caricatore in dotazione con l'apparecchio in una presa adatta.

A causa di un eccessivo utilizzo o temperature estreme, potrebbero presentarsi perdite di liquido dalla batteria. Se il liquido dovesse venire a contatto con la pelle, lavare subito con acqua. Se il liquido dovesse venire a contatto con gli occhi, sciacquarli immediatamente con acqua pulita per almeno 10 minuti. Consultare un medico.

È normale che il caricatore si scaldi mentre è in funzione.

Utilizzare solo accessori o parti di consumo e di ricambio consigliati o forniti da HOOVER.

Non aspirare oggetti solidi o appuntiti, fiammiferi, ceneri calde, mozziconi di sigaretta o similari.

Non vaporizzare o aspirare liquidi infiammabili, detergenti, aerosol o i loro vapori.

Non continuare a utilizzare l'apparecchio o il caricatore in caso di presunto guasto.

Assistenza Hoover: Per garantire un funzionamento sempre sicuro ed efficiente dell'apparecchiatura, si consiglia di fare eseguire eventuali interventi di assistenza o di riparazione dai tecnici del servizio assistenza autorizzato Hoover.

Non utilizzare l'apparecchio per l'igiene della persona o degli animali.

Non sostituire le batterie del Robot con batterie non ricaricabili.

Se il Robot non viene utilizzato per un lungo periodo (diverse settimane), scollegare il trasformatore di alimentazione di rete.

Smaltimento delle batterie esauste

Se l'apparecchio è da smaltire, le batterie devono prima essere rimosse. Rimuovere la batteria solo quando l'apparecchio è scollegato dalla rete di alimentazione. Smaltire le batterie in sicurezza. Far funzionare l'apparecchio fino al suo arresto ed assicurarsi che le batterie siano completamente scariche. Le batterie usate devono essere riposte in un centro di riciclaggio e non smaltite con i rifiuti domestici. Per rimuovere le batterie, si prega di contattare il Centro Servizi per Assistenza Clienti Hoover o procedere in base alle seguenti istruzioni.

Scollegare il caricatore e spegnere il Robot. Capovolgere il Robot ed appoggiarlo su una superficie piana. Rimuovere le viti e il coperchio del vano batteria. Rimuovere il gruppo batteria.

NOTA: Se si riscontrano difficoltà a smantellare l'unità o per informazioni più dettagliate sul trattamento, recupero e riciclaggio di questo apparecchio, si prega di contattare l'ufficio comunale per il servizio smaltimento rifiuti.

NOTE IMPORTANTI PRIMA DELL'USO

Prima di utilizzare il Robot ed i suoi accessori, leggere accuratamente il presente manuale d'uso.

Non smontare il Robot e non tentare di ripararlo. In caso di guasto, contattare il Servizio Post Vendita Hoover per una consulenza professionale.

Scale: Il Robot utilizza dei sensori per evitare di cadere da gradini, scale o da un'estremità. In alcune situazioni i sensori possono confondersi.

Il Robot non è in grado di rilevare differenze d'altezza minori di 8 centimetri. Altezze inferiori agli 8 centimetri possono causare la caduta del Robot. Se disponibile, selezionare aree No-go (aree vietate) o usare il Muro Virtuale tramite l'App per proteggere il Robot dalle cadute.

Alcuni gradini o scale con superfici molto riflettenti o molto scure, come vetro o ceramica laccata, possono confondere il Robot e provocarne la caduta. Se disponibile, selezionare aree No-go (aree vietate) o usare il Muro Virtuale tramite l'App o posizionare un tappetino sul gradino inferiore per proteggere il Robot in caso di caduta.

Evitare di utilizzare il Robot su soppalchi, pianerottoli o zone rialzate senza barriere. Se disponibile, selezionare aree No-go (aree vietate) o usare il Muro Virtuale tramite l'App per evitare che il Robot acceda a queste aree.

Uso della batteria: Il Robot è alimentato da batterie ricaricabili agli ioni di litio ad alta capacità. Queste batterie ricaricabili sono garantite per una durata di 6 mesi, se utilizzate correttamente, secondo quanto descritto in questo manuale.

In caso di calo significativo delle prestazioni del Robot sostituire le batterie, disponibili presso il vostro rivenditore Hoover.

Utilizzare solo parti di ricambio originali Hoover per il vostro Robot. L'uso di parti non originali Hoover può risultare pericoloso e invalida la garanzia.

Utilizzare solo l'apposita base di ricarica e il trasformatore di alimentazione forniti per ricaricare il Robot. L'uso di una base di ricarica o di un trasformatore di alimentazione di rete non corretti è pericoloso ed invalida la garanzia.

Bande di frequenza	2412 MHz to 2472 MHz
Potenza RF massima trasmessa nella banda di frequenza	802.11 b: +15.95 dBm 802.11 g: +14.91 dBm 802.11 n20: +13.78 dBm

Ambiente:

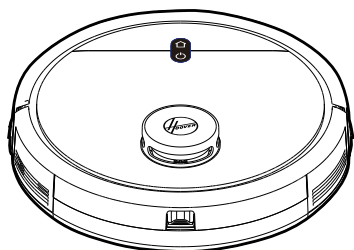
Il simbolo apposto sul prodotto indica che lo stesso non può essere smaltito come i normali rifiuti domestici, ma deve essere portato al punto di raccolta o al centro di riciclaggio delle apparecchiature elettriche ed elettroniche più vicino. Lo smaltimento deve essere eseguito in conformità alle normative locali vigenti per la salvaguardia dell'ambiente e lo smaltimento dei rifiuti. Per ulteriori informazioni sul trattamento, il recupero e il riciclaggio di questo prodotto, contattare l'unità territoriale competente per il servizio di smaltimento o il negozio in cui il prodotto è stato acquistato.



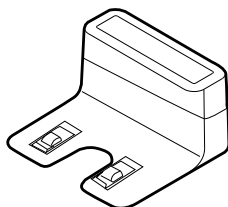
CE Questo prodotto è conforme alle Direttive Europee 2014/53/EU, 2014/30/EU e 2011/65/EU. Per ricevere una copia di questa dichiarazione di conformità, si prega di contattare il produttore consultando il sito www.candy-group.com

CANDY HOOVER GROUP Srl Via Privata Eden Fumagalli, 20861 Brugherio (MB) Italy

CONTENUTO DELLA CONFEZIONE



Robot per la pulizia



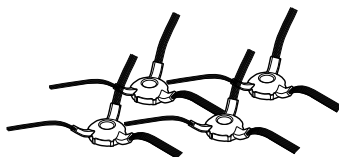
Base di ricarica



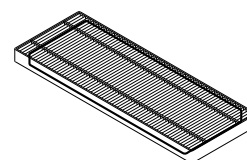
Manuale d'uso



Trasformatore di alimentazione di rete



Spazzola per la pulizia dei bordi (4 pezzi)

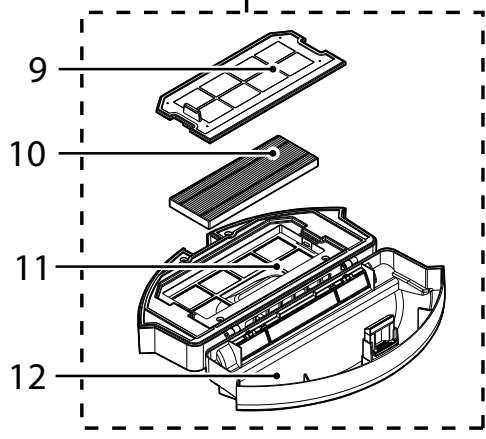
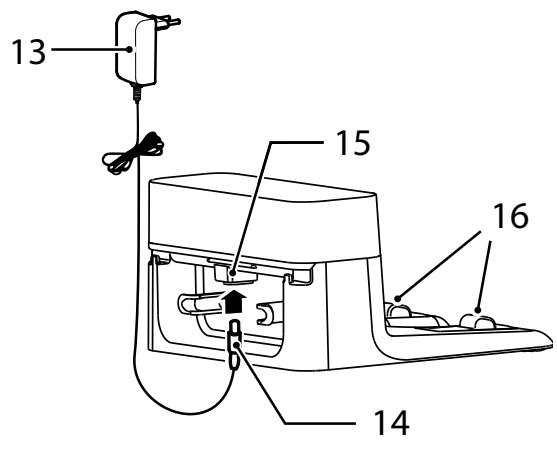
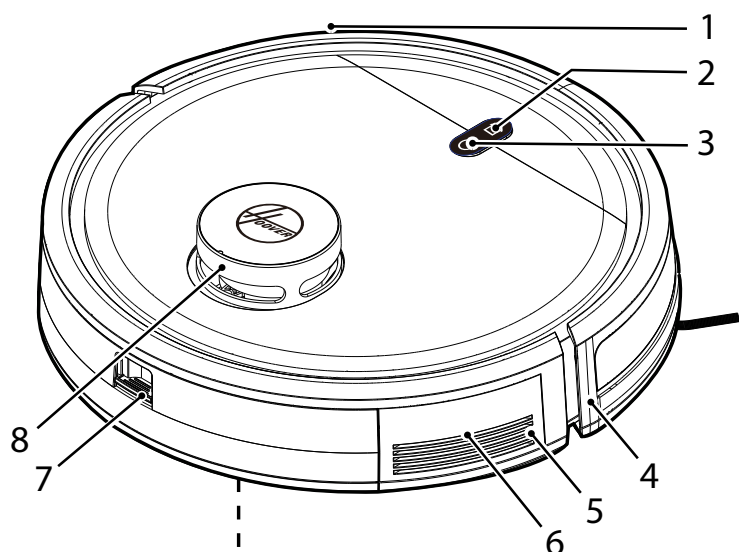


Filtro aggiuntivo per il Robot

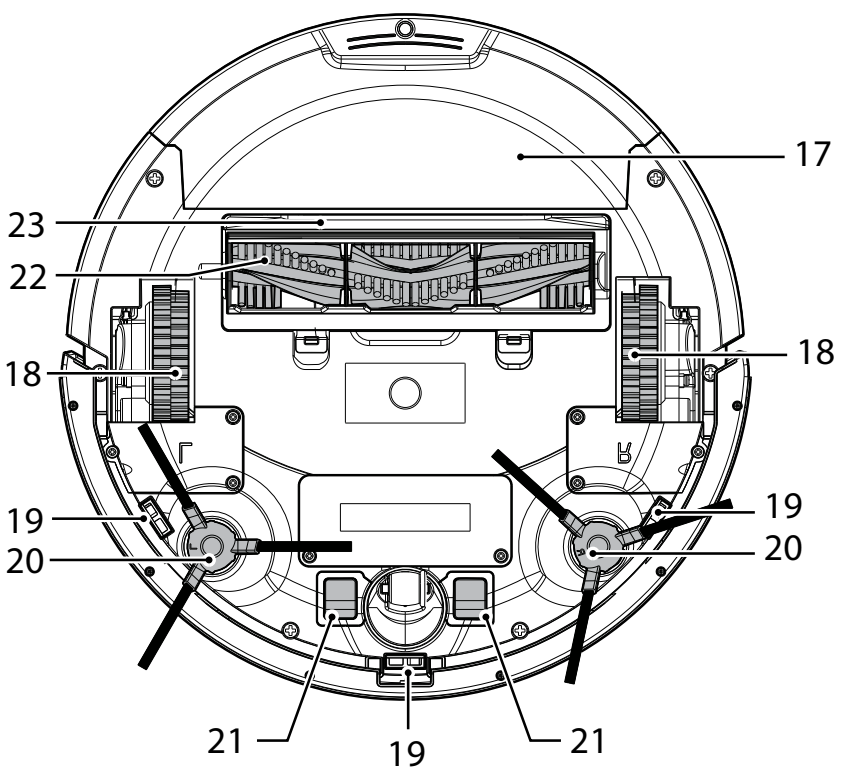


Spazzola per la pulizia

DESCRIZIONE DEL VOSTRO ROBOT



1	Paraurti frontale
2	Pulsante "HOME": ritorno alla base di ricarica
3	Pulsante di accensione/spengimento (ON/OFF)
4	Ricevitore segnale frontale
5	Altoparlante
6	Pulsante Reset (pulsante rosso)
7	Pulsante sblocco contenitore raccogli-polvere
8	Torretta Lidar
9	Filtro a rete
10	Filtro EPA
11	Coperchio superiore del contenitore raccogli-polvere
12	Coperchio inferiore del contenitore raccogli-polvere



13	Trasformatore di alimentazione di rete
14	Connettore di alimentazione
15	Connettore jack di ricarica DC, base di ricarica
16	Contatti del caricabatterie

17	Contenitore raccogli-polvere
18	Ruota motrice
19	Sensore anticaduta
20	Spazzola per la pulizia dei bordi
21	Contatti per la ricarica Robot
22	Rullo
23	Coperchio superiore del rullo

PREPARAZIONE DEL VOSTRO ROBOT

IMBALLO

Non buttare l'imballo del Robot. Può essere richiesto in futuro per la validità della garanzia. Quando disimballate il Robot e i suoi accessori, tenete fuori dalla portata di neonati, bambini ed animali i sacchetti per evitare rischi di soffocamento.

Al primo utilizzo caricare l'apparecchio per 4-6 ore. **[Fig. 1]**

Non esporre il trasformatore di alimentazione di rete a temperature inferiori a 0 ° C o superiori a 30 ° C per evitare danni alla batteria.

Il trasformatore di alimentazione di rete deve essere collegato solo ad una presa di corrente standard.

BATTERIA

Per aumentare la durata della batteria si consiglia di mantenerla completamente carica.

Lasciare collegato il Robot alla base di ricarica quando non è in uso. Il Robot ha un sistema di ricarica intelligente che impedisce alle batterie di sovraccaricarsi.

Per evitare incidenti, assicurarsi che ogni persona sia a conoscenza che nell'ambiente può essere in funzione il Robot.

PREPARAZIONE DELL'AREA DA PULIRE

Prima dell'uso, rimuovere gli ostacoli che potrebbero impedire il percorso del Robot. Fare attenzione a:

- Oggetti che possono essere facilmente rovesciati.
- Bordi di moquette o tappeti che possono impigliarsi.
- Tende e tovaglie la cui lunghezza appoggia sul pavimento.
- Fonti di calore o oggetti infiammabili.
- Cavi di alimentazione.
- Oggetti fragili.

SET UP BASE DI RICARICA

1. Inserire la spina del trasformatore alla rete di alimentazione e collegarlo alla base di ricarica. **[Fig. 2]**
2. Assicurarsi che il cavo di alimentazione non sia sotto la base di ricarica.
3. Posizionare la Base di Ricarica su un pavimento livellato non riflettente, preferibilmente contro un muro. Se la superficie del pavimento è troppo riflettente, può interferire con il sistema di navigazione del Robot, che può avere difficoltà a localizzare la base di ricarica.
4. Non depositare oggetti intorno alla base di ricarica, lasciare liberi 2 m davanti e 1 m per ogni lato della base stessa. **[Fig. 2]**
5. Assicurarsi che il cavo di alimentazione non sia aggrovigliato o in tensione. Se il cavo è troppo lungo, utilizzare l'apposito nastro in velcro in dotazione per riporlo ordinatamente.
6. Controllare che il contenitore raccogli-polvere sia ben inserito nel corpo del Robot
7. Premere le due spazzole per la pulizia dei bordi sui supporti fino a farle scattare in posizione. Prestare attenzione ai punti L e R indicati sull'apparecchio e sulle spazzole. **[Fig. 3]**
8. Rimuovere le spugne dal Robot. Portare il Robot alla base di ricarica per iniziare. Durante un periodo di normale utilizzo, la ricarica completa richiede circa 4/5 ore.

CARICAMENTO DELLA BATTERIA [Fig. 4]

Premere a lungo il pulsante ON/OFF del Robot (3-5 secondi) per accendere l'apparecchio e posizionarlo davanti alla base di ricarica.

Premere il pulsante Home (Base di Ricarica) e assicurarsi che il Robot si stia muovendo verso la base di ricarica.

Per aumentare la durata della batteria del Robot si consiglia di mantenerla completamente carica.

Quando la batteria è in ricarica, il pulsante Accensione/ Spegnimento (ON/OFF) ed il pulsante Home (Base di Ricarica) lampeggeranno in colore BIANCO.

Se la batteria è carica completamente, le luci sono spente (OFF).

Ricarica automatica

Se la carica della batteria del Robot è bassa durante la sessione di pulizia, l'apparecchio interrompe la pulizia e inizia la ricerca della Base di Ricarica per ricaricarsi.

Quando il Robot termina la sessione di pulizia, avvia automaticamente la modalità ricarica ed inizia la ricerca della Base di Ricarica per ricaricarsi.

NOTA: Assicurarsi che i contatti di ricarica del Robot e della base di ricarica non siano sporchi. Se necessario pulire i contatti per la ricarica.

Se il Robot non può essere acceso a causa della batteria scarica, posizionarlo manualmente sulla Base di Ricarica per ricaricarsi. I Contatti per la Ricarica devono essere ben allineati e la spazzola per la pulizia dei bordi non deve essere bloccata tra i Contatti di Ricarica.

Batteria

Nel corso del tempo la capacità della batteria del vostro Robot diminuirà e sarà necessario sostituirla.

Per l'acquisto della batteria da sostituire rivolgersi solo ad un rivenditore autorizzato Hoover. Utilizzare sempre parti di ricambio ed accessori originali HOOVER.

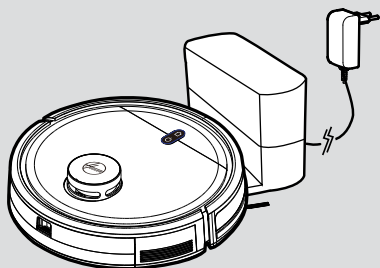


Fig. 1

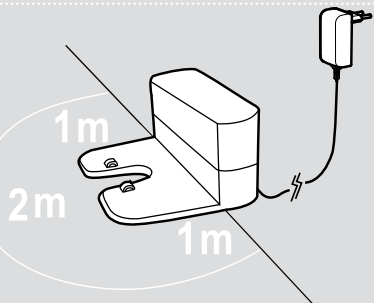


Fig. 2

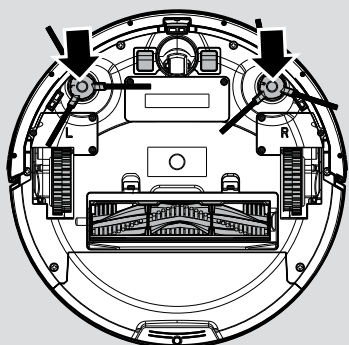


Fig. 3

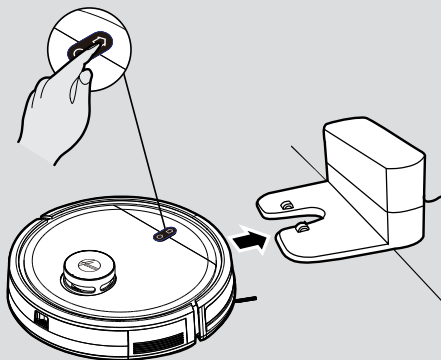


Fig. 4

UTILIZZO DEL ROBOT

• Pulsante “Home” (Charger Base): ritorno alla Base di Ricarica

Breve pressione: Ricarica

Pressione prolungata: Connessione alla App

Spia luminosa indicatore:

Spia lampeggiante BIANCA: Ricarica

Spia BIANCA con lampeggio veloce: Connessione alla App

• Pulsante di accensione/spegnimento (ON/OFF)

Pressione prolungata: accensione (se il Robot è spento)

Pressione prolungata: spegnimento (se il Robot è acceso)

Breve pressione: Avvio/Pausa (se il Robot è in modalità Sleep)

Spia luminosa indicatore:

Spia BLU lampeggiante: modalità standby

Spia BLU sempre accesa: modalità di lavoro

Spia BLU spenta: modalità sleep

1. I processi operativi del Robot: modalità sleep > modalità standby > modalità lavoro (in funzione)

A. Modalità sleep: Quando il Robot è in modalità standby e non ha funzionato per 3 minuti, entra automaticamente in modalità sleep. Quando il Robot è in modalità sleep, la spia del pulsante è spenta ed il Robot è fermo.

B. Modalità standby: Quando il Robot è in modalità standby, la spia del pulsante lampeggia ed il Robot è fermo.

C. Modalità lavoro (in funzione): Quando il Robot è in funzione, la spia del pulsante è sempre BLU ed il Robot sta effettuando la sessione di pulizia.

2. Pausa

Pausa significa che il Robot passa dalla modalità lavoro alla modalità standby. Questo può essere ottenuto premendo il pulsante Accensione/Spegnimento (ON/OFF) sul Robot o attraverso l'App mobile.

Attenzione! [Fig. 5]

Se il Robot è in modalità sleep, premere il pulsante Accensione/Spegnimento (ON/OFF) sull'apparecchio due volte per iniziare la pulizia.

Se il Robot non viene utilizzato per un tempo prolungato, premere a lungo il pulsante Accensione/Spegnimento (ON/OFF) per spegnere l'apparecchio. Se il Robot subisce un incidente, per forzare lo spegnimento premere il tasto Reset, posizionato sopra l'altoparlante, per 2-3 secondi con una punta di spillo inferiore a 2 mm.

DOWNLOAD DELL'APP E CONNESSIONE WI-FI [Fig. 6]

Per accedere a tutte le funzioni del Robot ovunque ci si trovi, si consiglia di scaricare l'App “HG5”. Sarà possibile controllare il Robot con la massima efficienza.

1. Scaricare l'App “HG5” dall'App Store, da Google Play o dall'App Gallery.
2. Aprire l'App, registrare un account con la propria e-mail e una password. Confermare il login.
3. Assicurarsi che il cellulare sia connesso al Wi-Fi.
4. Cliccare “aggiungi dispositivo” sulla App e seguire le istruzioni per completare la connessione.

AVVERTENZA

Il nome del Wi-Fi non può superare i 32 caratteri.

Se la configurazione fallisce, seguire i passaggi sotto indicati:

- Assicurarsi di aver inserito la corretta password Wi-Fi
- Assicurarsi di settare la rete Wi-Fi a 2.4GHz
- Assicurarsi che il robot non sia troppo distante dal router.

CON HG5 APP

Una volta che l'associazione con il Robot è avvenuta correttamente, sarà possibile creare la mappa della casa. Questo consentirà di accedere alle impostazioni completamente personalizzabili ed ai programmi di pulizia del tuo Robot.

Selezionare l'icona del Robot per accedere alla pagina principale. Ricordarsi di rimuovere tutti gli ostacoli sul pavimento (cavi, calze, scarpe) prima di avviare il Robot. Premere il tasto POWER ON per permettere al Robot di iniziare la mappatura del tuo appartamento. La mappa creata sarà visibile nella home page. Appena il Robot ha scansionato tutto l'appartamento, sul cellulare sarà visibile la mappa completa. È possibile nominare ogni stanza, personalizzarla e impostare un appropriato programma di pulizia (livello della potenza di aspirazione, grado di pulizia, frequenza di pulizia, ecc.).

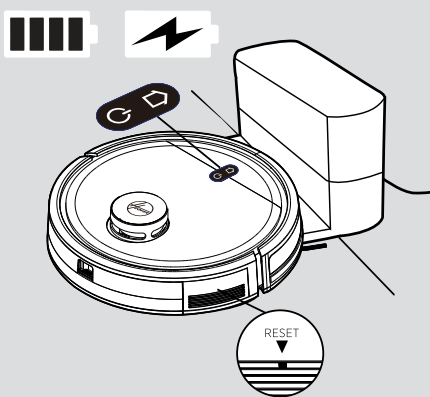


Fig. 5



Fig. 6

- Durata della pulizia (Cleaning Time): indica la durata dell'ultima sessione di pulizia
- Area pulita (Area Cleaned): indica i metri quadrati percorsi dal Robot durante l'ultima sessione di pulizia
- Batteria (Battery): Indica il livello di carica della batteria
- ACCENSIONE (POWER ON) (🔌)

Il Robot inizia a pulire seguendo il programma impostato.

- RITORNO ALLA BASE DI RICARICA (BACK TO CHARGE) (🔌)

Il Robot tornerà alla Base di Ricarica.

* Tutte le altre icone si accenderanno e saranno disponibili solo dopo aver cliccato sull'icona Accensione.

- INIZIO DA UNA SPECIFICA ZONA (GO TO PLACE) (📍)

Selezionare la zona desiderata sulla mappa. Il Robot si sposterà dove selezionato e inizierà la sessione di pulizia seguendo il programma impostato.

- SELEZIONE DELLA STANZA (SELECT ROOM) (🏠)

Selezionare la stanza desiderata sulla mappa. Il Robot si sposterà dove selezionato e inizierà la sessione di pulizia seguendo il programma impostato.

- SELEZIONE DELL'AREA (SELECT AREA) (📏)

Selezionare l'area desiderata sulla mappa. Il Robot si sposterà dove selezionato e inizierà la sessione di pulizia seguendo il programma impostato.

- SELEZIONE DELLE AREE VIETATE (NO-GO AREAS) (🚫)

Specificare le aree a cui si desidera che il Robot non acceda. È possibile definire le aree non accessibili per la pulizia, per l'aspirazione o per entrambe.

- PERSONALIZZAZIONE (CUSTOMISE) (🔧)

Personalizzare le stanze sulla mappa. È possibile unire o dividere diverse stanze, reimpostare completamente la mappa, rinominare le stanze, impostare il programma di pulizia per ogni stanza, impostare la sequenza di pulizia per le stanze.

- IMPOSTAZIONI (SETTINGS) (⋮)

Elenco completo delle impostazioni del Robot.

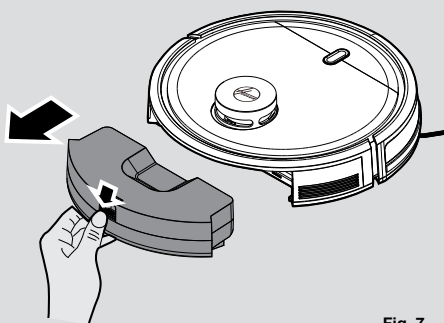


Fig. 7

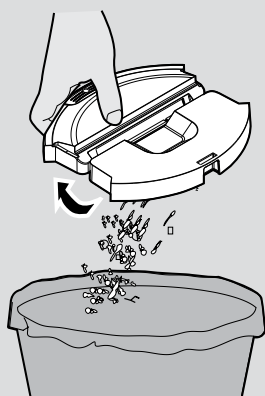


Fig. 8

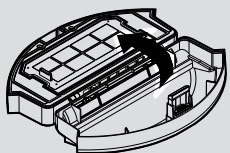


Fig. 9

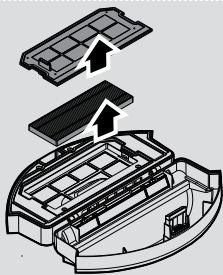


Fig. 10

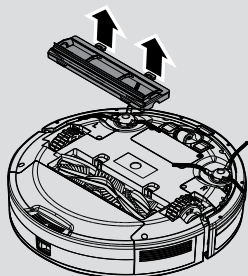


Fig. 11

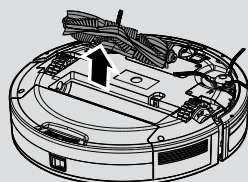


Fig. 12

MANUTENZIONE DEL ROBOT

SVUOTAMENTO DEL CONTENITORE RACCOGLIPOLVERE

Prima di effettuare qualsiasi operazione di manutenzione, assicurarsi che il robot sia spento.

1. Spegner il Robot e rimuoverlo dalla Base di Carica.
2. Utilizzare un panno asciutto per ripulire tutte le superfici. NON permettere che l'acqua penetri nel prodotto durante la pulizia.

Dopo l'aspirazione rimuovere il contenitore raccogli polvere.

1. Premere il pulsante di rilascio ed estrarlo. [Fig. 7]
2. Svuotare il contenitore raccogli polvere sopra una pattumiera. [Fig. 8]
3. Usare la spazzola per pulire, ove necessario, ogni residuo di polvere dalle superfici interne del contenitore della polvere o dalla superficie del filtro.
4. Rimontare il contenitore della polvere sul Robot.

PULIZIA DEI FILTRI

Il Robot è dotato di un filtro pre-motore. Per mantenere prestazioni ottimali, pulire regolarmente il coperchio del filtro e il filtro pre-motore. I filtri vanno puliti ogni 5 svuotamenti del contenitore e non devono essere lavati.

1. Dopo l'aspirazione, premere il pulsante di sblocco del contenitore raccogli polvere e rimuoverlo. [Fig. 7]
2. Svuotare il contenitore raccogli polvere. [Fig. 8] Aprire il contenitore raccogli polvere, rimuovere la rete del filtro insieme al filtro, quindi rimuovere il filtro EPA dalla rete del filtro e pulirli separatamente. Procedere all'assemblaggio in modo inverso assicurandosi che il filtro sia montato correttamente. [Fig. 9,10]

IMPORTANTE: Controllare e mantenere regolarmente i filtri seguendo le istruzioni di manutenzione del filtro. Questo assicurerà la massima efficienza di pulizia.

Se accidentalmente la rete del filtro o il filtro vengono danneggiati, devono essere rimossi e sostituiti immediatamente per evitare danni al motore di aspirazione.

PULIZIA DEL RULLO

Pulire regolarmente il rullo per assicurare la massima efficienza di pulizia.

1. Spegner Robot e capovolgerlo.
2. Premere le clips della piastra di supporto e rimuovere il coperchio del rullo. [Fig. 11]
3. Sollevare il rullo afferrandone un'estremità. [Fig. 12]
4. Utilizzare la Spazzola per la Pulizia per rimuovere eventuali grovigli dal rullo e lo sporco sulle setole. Non perdere il manicotto in gomma sul cuscinetto a sfera.
5. Dopo la pulizia, riposizionare il rullo ed il suo coperchio sul Robot.

Attenzione: Tutte le attività di manutenzione devono essere eseguite solo dopo aver estratto il contenitore della polvere per evitare che l'eventuale sporco presente nel contenitore venga scaricato accidentalmente.

PULIZIA DELLE SPAZZOLE PER LA PULIZIA DEI BORDI

Quando le spazzole per la pulizia dei bordi si sporcano, pulirle con acqua pulita e asciugarle prima dell'uso; se la spazzola per bordi è danneggiata e non può funzionare correttamente, sostituirla.

Attenzione!

Quando si sostituiscono le spazzole per la pulizia dei bordi, far corrispondere i segni "L" e "R" presenti sulla spazzola con i segni "L" e "R" presenti nella parte inferiore del Robot.

PULIZIA DELLE RUOTE MOTRICI [Fig. 13]

1. Spegner il Robot e capovolgerlo.
2. Rimuovere sporco o capelli intrappolati nelle ruote.
3. Pulire le ruote con un panno asciutto.

PULIZIA DELLE LENTI DEI SENSORI ANTICADUTA [Fig. 14]

Per mantenere ottimali le funzioni di sicurezza del Robot è importante tenere puliti i sensori anticaduta. Ci sono 3 sensori posizionati sotto il Robot. Rovesciare il Robot e pulirlo con un panno asciutto per rimuovere ogni accumulo di polvere o detriti.

SOSTITUZIONE DELLA BATTERIA [Fig. 15]

1. Usare un cacciavite per rimuovere le viti dal coperchio della batteria posizionato sotto il Robot;
2. Togliere il coperchio della batteria.
3. Disconnettere il connettore e rimuovere la batteria dal suo vano;
4. Inserire la nuova batteria nel vano e ricollegare il connettore. Fare attenzione al corretto allineamento del connettore e dei fili. Rimontare il coperchio della batteria e bloccarlo con le viti di fissaggio.
5. Accendere l'apparecchio e verificare che funzioni correttamente.

Attenzione!

Smaltire le batterie sostituite in modo ecologico per evitare l'inquinamento dell'ambiente.

NOTA IMPORTANTE

Utilizzare solo parti di ricambio originali per il vostro Robot.

L'uso di parti non originali Hoover può risultare pericoloso ed invalida la garanzia.

Se il Robot non viene utilizzato per diversi mesi si consiglia di rimuovere la batteria e riporlo in un luogo fresco e asciutto.

IMPORTANTE: Prima della manutenzione, assicurarsi che l'apparecchio sia spento. Usare sempre due mani per sollevare e trasportare il Robot assicurandosi di tenerlo in posizione orizzontale. [Fig. 16]

Quando si solleva il Robot, assicurarsi di non afferrare il contenitore raccogliipolvere per evitare un'apertura accidentale. [Fig. 17]

Si consiglia di evitare di utilizzare il Robot alla luce diretta del sole o su superfici scure e lucide, poiché queste condizioni potrebbero confondere il comportamento del Robot.

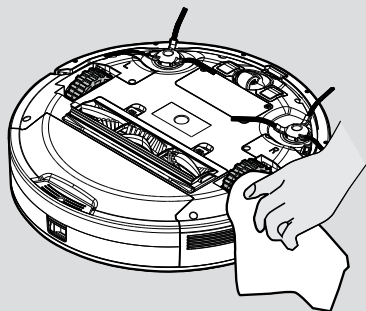


Fig. 13

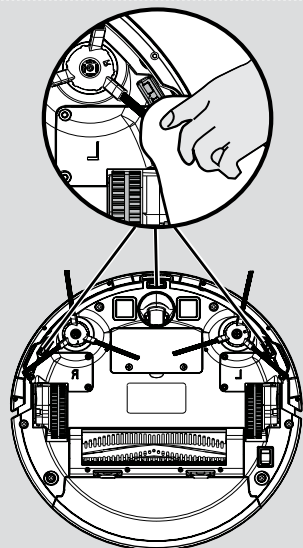


Fig. 14

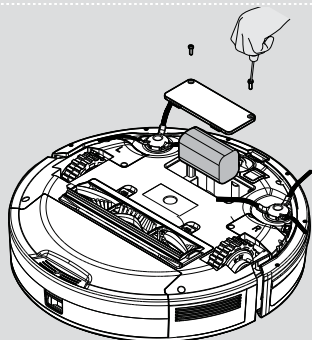


Fig. 15

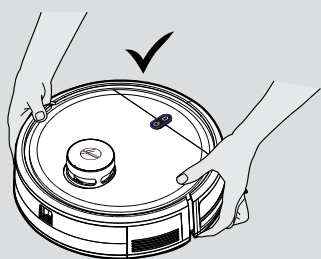


Fig. 16

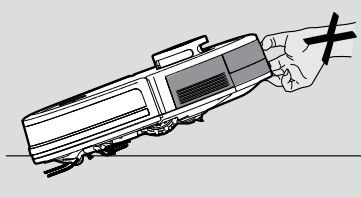


Fig. 17

RISOLUZIONE DEI PROBLEMI

In caso di problemi con l'apparecchio, completare questa semplice checklist utente prima di chiamare il Centro per l'Assistenza Clienti Hoover:

• Il Robot non funziona dopo essere stato acceso.

Spia luminosa dei pulsanti Accensione/ Spegnimento (ON/OFF) e Home	Cosa fare
Spie BIANCA e BLU lampeggianti	Verificare che le spazzole per la pulizia dei bordi siano pulite e posizionate correttamente
	Verificare che il rullo sia pulito e posizionato correttamente
Spia BIANCA accesa	Controllare che il contenitore raccogli-polvere sia ben inserito
Spie BIANCA e AZZURRA lampeggianti	Controllare che le ruote motrici siano pulite e funzionanti
Spie BLU e AZZURRA lampeggianti	Verificare che i sensori anti caduta ed il paraurti frontale siano puliti e funzionanti
Spia BIANCA lampeggiante	Controllare che la torretta Lidar sia funzionante

• Il Robot non si carica automaticamente

Assicurarsi che non vi siano ostacoli tra il Robot e la Base di Ricarica e che non vi siano oggetti attorno alla Base per una distanza di 2 metri davanti e 1 metro per ogni lato.

• Il Robot è bloccato

Il Robot cercherà di liberarsi, ma a volte può avere bisogno di un intervento manuale.

• Il Robot è molto rumoroso mentre pulisce

Pulire il contenitore raccogli polvere e il filtro, pulire e controllare il rullo e le ruote motrici.

• La potenza di aspirazione è debole

Pulire il contenitore raccogli polvere e il filtro, pulire e controllare il rullo e le ruote motrici.

INFORMAZIONI IMPORTANTI

PARTI DI RICAMBIO E DI CONSUMO HOOVER

Utilizzare sempre parti di ricambio originali Hoover. che è possibile acquistare dal distributore locale Hoover o direttamente sul sito internet Hoover. Quando si ordinano delle parti di ricambio, ricordarsi sempre di fornire il numero di modello dell'apparecchio utilizzato.

Quality

La qualità degli stabilimenti Hoover è stata sottoposta a valutazione indipendente. I nostri prodotti vengono realizzati mediante un sistema di qualità che soddisfa i requisiti ISO 9001.

ASSISTENZA E GARANZIA HOOVER

Questo prodotto è garantito, oltre che ai sensi di legge, alle condizioni e nei termini riportati sul certificato di garanzia convenzionale inserito nel prodotto. Il certificato dovrà essere conservato e mostrato al nostro Centro di Assistenza Tecnica Autorizzato, in caso di necessità, insieme allo scontrino comprovante l'acquisto dell'elettrodomestico. Puoi consultare le condizioni di garanzia anche sul nostro sito internet Per ottenere assistenza compila l'apposito form on-line oppure contattaci al numero che trovi indicato nella pagina di assistenza del nostro sito internet.

Queste condizioni potrebbero venire modificate senza obbligo di preavviso.

INSTRUCTIES VOOR VEILIG GEBRUIK

Dit toestel mag enkel gebruikt worden voor reiniging in het huis, zoals beschreven in deze handleiding. Zorg ervoor dat u de handleiding volledig begrijpt voordat u het apparaat in gebruik neemt.

Oplader altijd afzetten en stekker uit het stopcontact halen voor u het toestel schoonmaakt of enige andere onderhoudstaak verricht.

Dit toestel kan gebruikt worden door kinderen vanaf 8 jaar en personen met verminderde lichamelijke, zintuiglijke of mentale capaciteiten. Ook personen met een gebrek aan ervaring of kennis kunnen dit toestel gebruiken, indien ze toezicht of instructies hebben gekregen over het veilig gebruik van het toestel en de gevaren in kwestie begrijpen. Kinderen mogen niet met het toestel spelen. Reinigings- en gebruikersonderhoud mag niet uitgevoerd worden door kinderen zonder toezicht.

Indien het stroomsnoer beschadigd is, stop dan onmiddellijk met het toestel te gebruiken. Om veiligheidsrisico's te voorkomen, moet de kabel worden vervangen door een erkend monteur van Hoover.

Als het schoon te maken gebied een balkon of trappen bevat, zal een fysieke barrière gebruikt moeten worden om toegang tot het balkon of tot de trappen te verhinderen en veilig gebruik te verzekeren. Kleine kinderen en huisdieren moeten onder toezicht gehouden worden terwijl de Robot reinigt.

Bewaar het apparaat altijd binnen. Gebruik dit apparaat **niet** buiten en stel het niet bloot aan vochtige of verwarmingselementen of bronnen (oven, haard, natte vloer).

Stel de Robot of accessoires **niet** bloot aan overmatige warmte / koude (houd een temperatuur aan van 0-30°C).

Laat de Robot **niet** vallen en gebruik geen accessoires die gevallen of beschadigd zijn, die buiten gebleven zijn of met water in aanraking zijn geweest.

Trek de stekker of de adapter nooit uit het stopcontact door aan het elektriciteits snoer te trekken. Gebruik deze **niet** voor het reinigen van trappen.

Batterij Opladen

Gebruik alleen de oplader die oorspronkelijk bij het toestel geleverd is.

Controleer of uw netspanning dezelfde is als deze vermeld op de lader.

Nooit de batterijen opladen bij temperaturen boven 30°C of onder 0°C.

Verbind de bij het toestel geleverde oplader met een geschikt stopcontact.

Lekkage van batterijcellen kan voorkomen bij extreme gebruiks- of temperatuurcondities. Als de vloeistof met de huid in contact komt, snel met water afwassen. Als de vloeistof in de ogen komt, spoel ze dan direct af met schoon water voor minimaal 10 minuten. Zoek medische hulp.

Het is normaal dat de lader warm wordt bij het opladen.

Gebruik enkel toebehoren, gebruiksartikelen of reserveonderdelen die door Hoover aanbevolen of geleverd worden.

Geen harde of scherpe voorwerpen, lucifers, hete as, sigarettenpeuken of soortgelijke items opnemen.

Geen ontvlambare vloeistoffen, schoonmaakmiddelen, aerosols of dampen hiervan verstuiwen of opnemen.

Ga **niet** door met het gebruik van uw apparaat of oplader als deze defect lijkt te zijn.

Hoover service: Om de veilige en doeltreffende werking van het apparaat te verzekeren, adviseren wij om onderhoud of reparaties alleen door een erkende onderhoudsmonteur van Hoover te laten uitvoeren.

Gebruik het apparaat **niet** om dieren of mensen mee schoon te maken.

Vervang de Robot batterijen **niet** met niet-oplaadbare batterijen vervangen.

Indien de Robot lang niet gebruikt zal worden (verschillende weken), koppel dan de stroomadapter manueel los.

Einde levensduur batterij verwijdering

In het geval dat u het apparaat weg doet, dienen de batterijen eerst verwijderd te worden. Bij het verwijderen van de batterij moet het apparaat ontkoppeld zijn van het net. Gooi de batterijen veilig weg. Laat het apparaat doorwerken totdat het stopt en de batterijen volledig ontladen zijn. Gebruikte batterijen moeten naar een recyclagecentrum gebracht worden en mogen niet bij het huishoudelijk afval weggegooid worden. Om de batterijen te verwijderen neem contact op met de Hoover klantendienst, of ga verder volgens deze instructies.

Haal de lader uit het stopcontact en zet de Robot uit. Draai de Robot om en plaats deze op een gelijkmatig oppervlak. Verwijder de schroeven en het deksel van het batterijvak. Verwijder de accu.

OPMERKING: Mocht u enige problemen ondervinden met het uit elkaar halen van het voorwerp, of voor meer gedetailleerde informatie over behandeling, herstel en recyclage van dit apparaat, neem contact op met uw lokale gemeente of de afvalreinigingsdienst.

BELANGRIJKE INFORMATIE VÓÓR GEBRUIK

Lees aub goed de volgende informatie alvorens uw Robot of de accessoires hiervan te gebruiken.

Demonteer de Robot niet en probeer deze niet zelf te repareren. In geval van een defect, neem svp contact op met de Klantendienst van Hoover voor professioneel advies.

Trappen: De Robot maakt gebruik van sensoren die vermijden dat deze van objecten, trappen of over een rand valt. In sommige situaties kunnen deze sensoren in de war raken.

De Robot detecteert geen treden van een hoogte minder dan 8cm. Treden van minder dan 8cm kunnen ertoe leiden dat de Robot valt. Stel, indien beschikbaar, verboden gebieden of virtuele muren in via de app om te voorkomen dat uw robot valt.

Hoog reflecterende of heel donkere oppervlakken die op sommig opstappen of trappen worden gebruikt, zoals glas of gepolijst keramiek, kunnen ertoe leiden dat de Robot valt. Stel, indien beschikbaar verboden gebieden of virtuele muren in via de app of leg een tapijt op de onderste trede om te voorkomen dat uw robot valt.

Gebruik uw Robot niet op tussenverdiepingen, overlopen of opgehoogde zones zonder randen. Stel, indien beschikbaar verboden gebieden of virtuele muren in via de app om te voorkomen dat uw robot deze gebieden betreedt.

Gebruik van Batterijen: Uw Robot wordt aangedreven door oplaadbare, hoge capaciteit lithium-ion batterijen. Deze heroplaadbare batterijen hebben een garantie voor een periode van 6 maanden, als deze onderhouden en bediend worden volgens deze Gebruikershandleiding.

In geval dat de prestatie van de Robot sterk verminderd, kunt u batterijen voor vervanging bij uw Hoover-winkel krijgen.

Gebruik alleen Hoover goedgekeurde vervangende onderdelen voor uw Robot. Het gebruik van niet door Hoover geautoriseerde onderdelen is gevaarlijk en zal uw garantie ongeldig maken.

Gebruik alleen het geleverde oplaadstation en elektriciteitsadapter voor het opladen van uw Robot. Het gebruik van niet door Hoover geautoriseerde onderdelen is gevaarlijk en zal uw garantie ongeldig maken.

Frequentiebanden	2412 MHz to 2472 MHz
Maximaal in de frequentieband verstuurd hoogfrequent vermogen	802.11 b: +15.95 dBm 802.11 g: +14.91 dBm 802.11 n20: +13.78 dBm

Het milieu

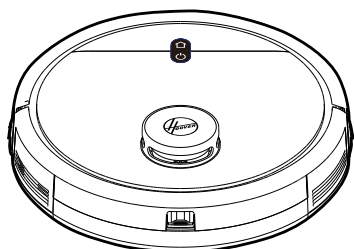
Het symbool op dit toestel duidt aan dat dit toestel niet mag behandeld worden als huishoudelijk afval. In de plaats daarvan moet het overhandigd worden aan het geschikte verzamelpunt voor de recyclage van elektrische en elektronische uitrusting. U moet het toestel weggooien in overeenstemming met de lokale voorschriften voor afvalverwerking. Voor meer gedetailleerde informatie over behandeling, herstel en recyclage van dit toestel, gelieve uw lokale gemeentebestuur te contacteren, de dienst voor huishoud- en afvalverwerking of de winkel waar u het toestel kocht.



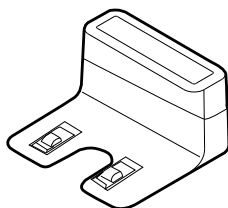
CE Dit apparaat voldoet aan de Europese Richtlijnen 2014/53/EU, 2014/30/EU en 2011/65/EU. Om een kopie van de verklaring van overeenstemming te ontvangen, gelieve de fabrikant te contacteren via de website: www.candy-group.com

CANDY HOOVER GROUP Srl Via Privata Eden Fumagalli, 20861 Brugherio (MB) Italy

INHOUD VAN DE DOOS



Robotreiniger



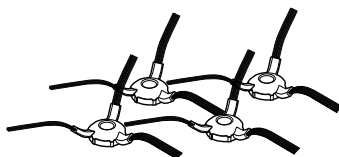
Laadbasis



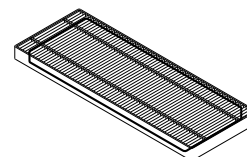
Gebruikershandleiding



Elektriciteitsadapter



Randreinigingsborstel X4

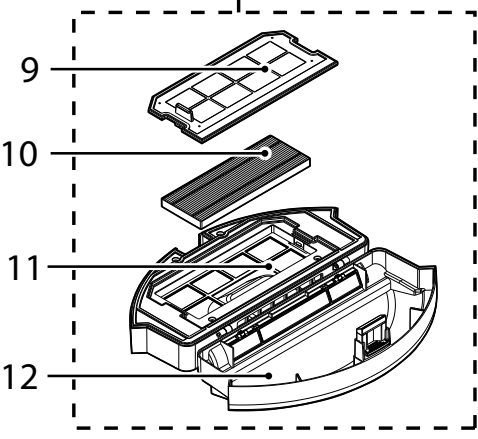
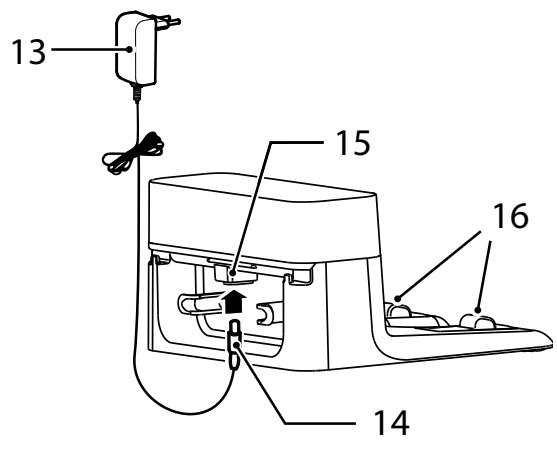
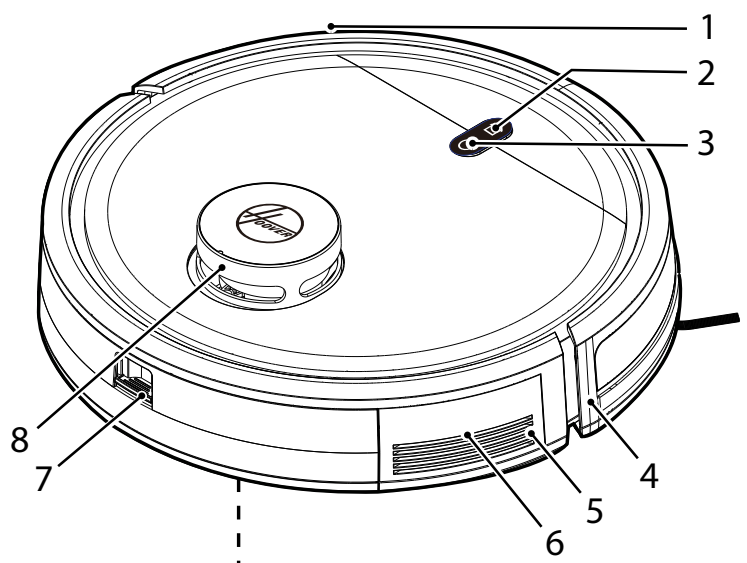


Bijkomende Filter voor Robot



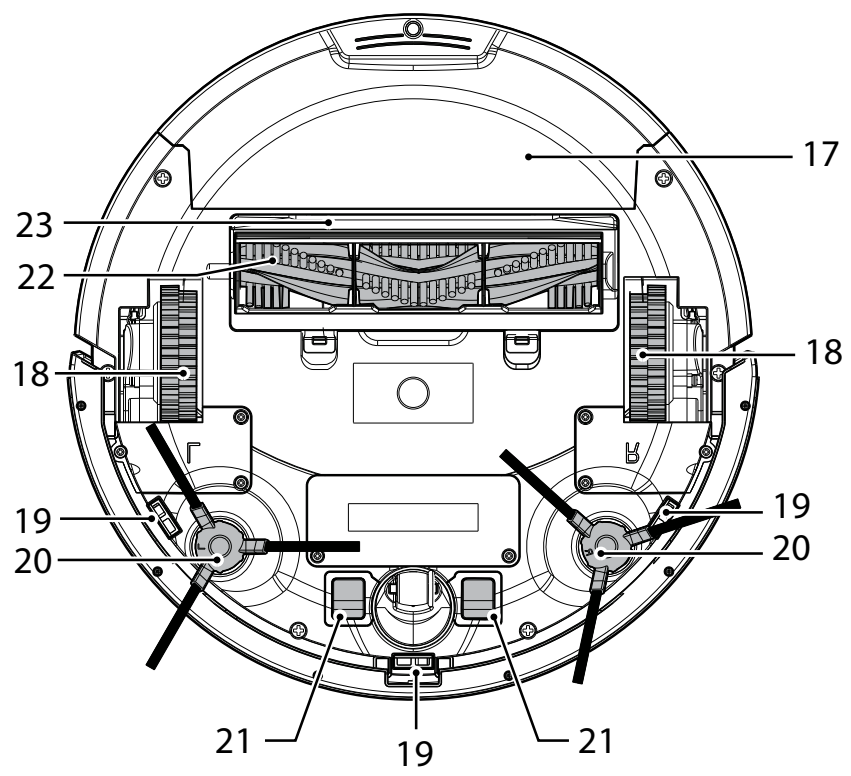
Reinigingsborstel

LEER JE ROBOT KENNEN



1	Voorbumper
2	HOME-knop (Laadbasis)
3	Aan/uit-schakelaar
4	Voorste signaalontvanger
5	Luidspreker
6	Reset-knop (rode knop)
7	Vergrendeling van het stofreservoir
8	Lidar-toren
9	Filtergaas
10	EPA filter
11	Bovenste deksel van Stofreservoir
12	Onderste deksel van Stofreservoir

13	Elektriciteitsadapter
14	Elektriciteitsvoedingsconnector
15	DC Jack, Laadbasis
16	Contacten Lader



17	Stofreservoir
18	Aandrijf wiel
19	Anti val sensor
20	Randreinigingsborstel
21	Robotplaatcontacten
22	Borstel
23	Agitator Bovenste Deksel

BEREID UW ROBOT VOOR

VERPAKKING

Gooi de verpakking van uw Robot niet weg. Mogelijk is in de toekomst de geldigheid van uw garantie vereist.

Bij het uitpakken van uw Robot en de accessoires hiervan, wees voorzichtig dat u de plastic zakken uit de buurt van baby's, jonge kinderen en dieren houdt, vanwege stikkingsgevaar.

Laad je reiniger voor het eerste gebruik 8 uur op. **[Afb. 1]**

Stel de Robot stroomadapter niet bloot aan temperaturen onder 0°C of boven 30°C omdat dit de batterij kan beschadigen.

De elektriciteitsadapter mag alleen op een standaard elektriciteitsstopcontact zijn aangesloten.

BATTERIJ

Voor optimale prestatie van de batterijen wordt aanbevolen dat u de Robot batterijen volledig opgeladen houdt.

Wanneer de robot niet in gebruik is, moet hij aangesloten blijven op de laadbasis. De robot heeft een intelligent laadsysteem. Hierdoor wordt voorkomen dat de batterijen overladen worden.

Om ongevallen te vermijden, zorg dat alle personen in de kamer weten dat de Robot hier wordt gebruikt.

HET HUIS VOORBEREIDEN

Verwijder voor gebruik obstakels die in de weg van de Robot kunnen komen. Besteed aandacht aan:

- Voorwerpen die makkelijk omver worden gestoten.
- Randen of vloerkleden of matten waarop deze vast kan gaan zitten.
- Gordijnen en tafelkleden die tot de vloer hangen.
- Warmtebronnen of brandbare items.
- Elektriciteits snoeren en kabels.
- Breekbare voorwerpen.

OPLAADSTATION INSTELLEN

1. Steek de netstroomadapter in het stopcontact en verbind deze met de Laadbasis. **[Afb. 2]**
2. Zorg ervoor dat het netsnoer niet bekneld raakt onder de Laadbasis.
3. Plaats de Laadbasis op een niet-reflecterende vlakke vloer, bij voorkeur tegen een muur. Als het vloeroppervlak te reflecterend is, zal dit interfereren met het robotnavigatiesysteem en kan het moeilijk zijn om de laadbasis te vinden.
4. Er mogen geen objecten in de buurt van de laadbasis zijn binnen een straal van 2 meter aan de voorkant en 1 meter aan elke kant. **[Afb. 2]**
5. Zorg dat het elektriciteits snoer niet in de knoop raakt of uitgerekt wordt. Als er teveel snoer is, bewaar het snoer dan netjes op met het hiervoor bestemde koord.
6. Controleer of het stofreservoir correct in de robot is geplaatst
7. Druk de twee randborstels op de steunen totdat ze vastklikken. Besteed aandacht aan de aanduiding L en R op het apparaat en de borstels. **[Afb. 3]**
8. Verwijder de sponzen van de robotreiniger. Leid uw robot naar de Laadbasis om te beginnen. Tijdens normaal gebruik zal het ongeveer 4/5 uur duren om volledig op te laden.

DE BATTERIJ OPLADEN [Afb. 4]

Druk lang, gedurende 3 tot 5 seconden, op de AAN/UIT-knop van de robot om de robot in te schakelen, en plaats hem voor de laadbasis.

Druk op de Home-knop (laadbasis) op de robot en controleer of deze naar de laadbasis beweegt.

Voor optimale prestaties van de accu wordt aanbevolen dat u de accu van uw robot volledig opgeladen houdt.

Wanneer de accu wordt opgeladen, knippen de knoppen AAN/UIT en Home (Laadbasis) wit.

Als de batterij volledig is opgeladen, zijn de lampjes UIT.

Automatisch opladen

Als de accucapaciteit van de robot laag is tijdens de schoonmaaksessie, stopt de robotreiniger met schoonmaken en begint hij te zoeken naar de laadbasis om zichzelf op te laden.

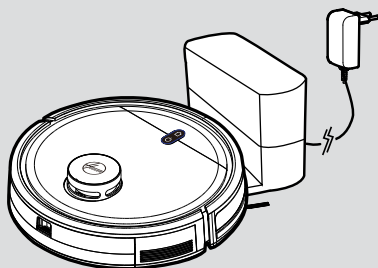
Wanneer de robotreiniger klaar is met de schoonmaaksessie, schakelt hij automatisch over naar de oplaadmodus en gaat hij op zoek naar de laadbasis om zichzelf op te laden.

OPMERKING: Zorg ervoor dat de oplaadcontacten van de robot en de laadbasis niet vuil zijn. Reinig de oplaadcontacten indien nodig.

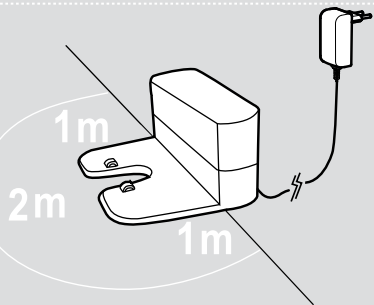
Als de robot niet kan worden ingeschakeld vanwege een laag stroomverbruik, verplaats de robot dan handmatig naar de laadbasis om op te laden. De oplaadcontacten moeten uitgelijnd zijn en de randborstel mag niet tussen de oplaadcontacten komen te zitten.

Batterij

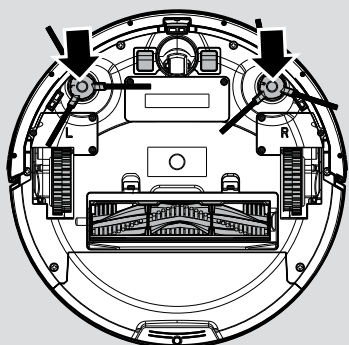
Na verloop van tijd neemt de capaciteit van uw robotaccu af en moet deze worden vervangen. Een vervangende batterij is verkrijgbaar bij een erkende Hoover-dealer. Gebruik alleen originele Hoover reserveonderdelen en accessoires.



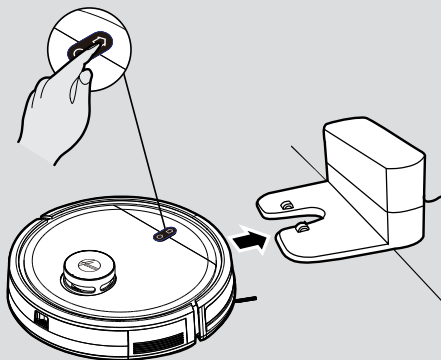
Afb. 1



Afb. 2



Afb. 3



Afb. 4

UW ROBOT GEBRUIKEN:

• Home (Laadbasis) Knop

Korte druk: Opladen

Lange druk: App-verbinding

Lichtindicator:

Wit lampje knippert: opladen bezig

Wit lampje knippert snel: App-verbinding

• Aan/uit-schakelaar

Lange druk: inschakelen (als de robot uitgeschakeld is)

Lange druk: uitschakelen (als de robot ingeschakeld is)

Korte druk: start/pauze (als de robot in de slaapstand staat)

Lichtindicator:

Blauw lampje knippert: stand-bymodus

Blauw licht brandt altijd: werkmodus

Blauw lampje uit: modus slaapstand

1. Het werkproces van de robot: modus slaapstand > stand-bymodus > werkmodus

A. Modus slaapstand: Wanneer de robot in de stand-bymodus staat en 3 minuten niet heeft gewerkt, gaat hij automatisch naar de modus slaapstand. Wanneer de robot in de slaapstand staat, is het knoplampje uit en staat de robot stil.

B. Stand-bymodus: Wanneer de robot in de stand-bymodus staat, knippert het knoplampje blauw en staat de robot stil.

C. Werkmodus: Wanneer de robot aan het werk is, brandt het knoplampje altijd blauw en is de robot bezig met reinigen.

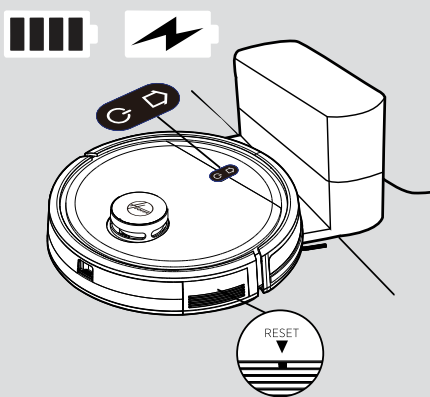
2. Pause

Pauze betekent dat de robot van de werkmodus naar de stand-bymodus wordt omgeschakeld. Deze kan bediend worden door op de "aan/uit"-knop op de robot te drukken, of via de mobiele app.

Let op! [Afb. 5]

Als de robot in de slaapstand staat, drukt u twee keer op de AAN/UIT-knop op de robot om hem te laten beginnen met schoonmaken.

Als de robot lange tijd niet wordt gebruikt, drukt u lang op de "AAN/UIT"-knop om de robot uit te schakelen. Wanneer er een crash voorkomt op de robot, drukt u 2-3 seconden op de resetknop op de claxon met een naald van minder dan 2 mm om de uitschakeling te forceren.



Afb. 5

DE APP DOWNLOADEN EN VERBINDEN VIA WIFI [Afb. 6]

Om overall toegang te krijgen tot alle functies van de robot, wordt aangeraden om de HG5 APP te downloaden. U zal de robot om de meest efficiënte manier kunnen controleren.

1. Download de app "HG5" uit uw App Store, Google Play of APP Gallery.
2. Open de APP, maak een account aan met uw e-mail en een wachtwoord. Bevestig de login.
3. Zorg ervoor dat uw mobiele toestel aan Wi-Fi verbonden is.
4. Klik op "apparaat toevoegen" op de APP, volg de instructies om de koppeling te voltooien.

WAARSCHUWING

De wifinaam mag niet langer zijn dan 32 tekens.

Als de verbinding is mislukt, volgt u de onderstaande stappen om te controleren:

- Zorg ervoor dat u het juiste wifiwachtwoord voor de router heeft ingegeven
- Zorg ervoor dat u uw wifinetwerk instelt op 2,4GHz
- Zorg ervoor dat de robot zich niet te ver van de router bevindt.

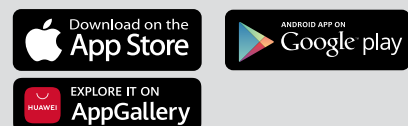
MET HG5 APP

Nadat u uw robot met succes hebt gekoppeld, kunt u de map van uw huis maken. Hiermee krijgt u toegang tot volledig aanpasbare instellingen en schoonmaakschema's van uw robot.

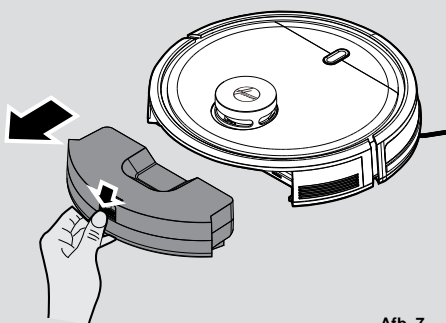
Klik op het pictogram van de robot om naar de pagina van de map te gaan. Vergeet niet om eventuele obstakels (kabels, sokken, schoenen) van de vloer te verwijderen voordat u de robot inschakelt.

Klik op de AAN-knop om de robot uw appartement in kaart te laten brengen. U ziet de kaart die gemaakt wordt op uw startpagina. Zodra de robot uw hele appartement heeft gescand, ziet u de volledige kaart op uw telefoon. U kunt elke kamer een naam geven, aanpassen en een specifiek schoonmaakschema instellen (zuigkrachtniveau, dweilniveau, schoonmaakfrequentie, enz.).

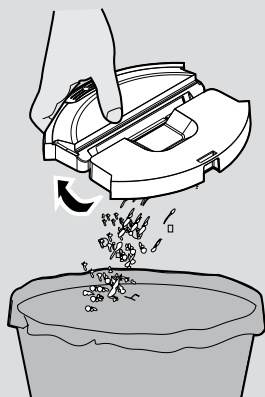
- Reinigingstijd: geeft de duur van de laatste reinigingssessie aan
- Gereinigd gebied: geeft de vierkante meters aan die de robot heeft afgelegd tijdens de laatste schoonmaaksessie
- Accu: huidig niveau van de accu



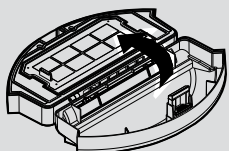
Afb. 6



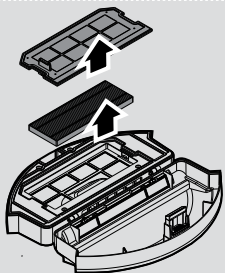
Afb. 7



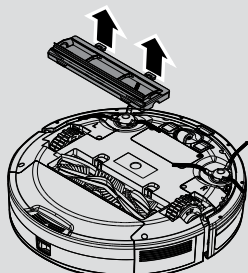
Afb. 8



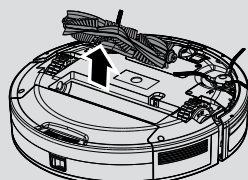
Afb. 9



Afb. 10



Afb. 11



Afb. 12

- **INSCHAKELEN** (🔒)

De robot begint met schoonmaken volgens de huidige reinigingsinstellingen.

- **TERUG NAAR OPLADEN** (🔌)

De robot komt terug naar de laadbasis.

* Alle andere pictogrammen worden ingeschakeld en zijn alleen beschikbaar nadat u op het pictogram Inschakelen geklikt hebt.

- **GA NAAR PLAATS** (📍)

Selecteer een specifieke plaats op de map, de robot zal daarheen gaan en zijn reinigingssessie starten volgens de huidige reinigingsinstellingen.

- **KAMER KIEZEN** (🏠)

Selecteer een specifieke kamer op de map, de robot zal daarheen gaan en zijn reinigingssessie starten volgens de reinigingsinstellingen van de kamer.

- **GEBIED KIEZEN** (📏)

Selecteer een specifiek gebied op de map, de robot zal daarheen gaan en zijn reinigingssessie starten volgens de huidige reinigingsinstellingen.

- **VERBODEN GEBIEDEN** (🚫)

Definieer een specifiek gebied waar de robot niet mag komen. U kunt verboden gebieden definiëren voor dweilen, stofzuigen of beide.

- **VERPERSOONLIJKEN** (👤)

Pas kamers op de map aan. U kunt om verschillende kamers samenvoegen of splitsen, de map volledig opnieuw instellen, kamers een andere naam geven, een schoonmaakschema voor elke kamer instellen, de schoonmaakvolgorde voor de kamers instellen.

- **INSTELLINGEN** (⋮)

Volledige lijst instellingen van de robot

UW ROBOT REINIGER ONDERHOUDEN

HET STOFRESERVOIR LEGEN

Alvorens een onderhoudstaak uit te voeren, zorg dat de Robot uitgeschakeld is.

1. Zet de robot uit en haal hem uit de laadbasis.
2. Gebruik een droge doek om alle oppervlakken schoon te maken. **GEBRUIK GEEN** water op geen enkel onderdeel voor het reinigen van het product.

Verwijder na het stofzuigen het stofreservoir.

1. Druk op de ontgrendelingsknop en trek deze naar buiten. **[Afb. 7]**
2. Leeg het stofreservoir boven een stofbak. **[Afb. 8]**
3. Gebruik indien nodig het reinigingsborsteltje om overtollig stof van de binnenkant van het stofreservoir of het filteroppervlak te verwijderen
4. Plaats het stofreservoir terug in de robot

SCHOONMAKEN VAN DE FILTERS

De Robot is uitgerust met een voormotorfilter. Reinig regelmatig het filterdeksel en het pre-motorfilter om optimale reinigingsprestaties te behouden. Ze moeten schoongemaakt worden nadat het stofreservoir 5 keer is geleegd en mogen niet gewassen worden.

1. Verwijder na het stofzuigen het stofreservoir, druk op de ontgrendelingsknop en trek het eruit. **[Afb. 7]**
2. Leeg het stofreservoir **[Afb. 8]** Open het stofreservoir, verwijder het filtergaas samen met het filter, verwijder vervolgens het EPA-filter van het filtergaas en reinig ze afzonderlijk. De montage gebeurt in omgekeerde volgorde, zorg ervoor dat het filter correct wordt gemonteerd. **[Afb. 9,10]**

BELANGRIJK: Controleer de filters regelmatig en onderhoud ze volgens de onderhoudsaanwijzingen.

Zo worden de maximale reinigingsprestaties behouden.

Als het filtergaas en het filter beschadigd zijn, moeten ze onmiddellijk verwijderd worden en op tijd vervangen worden om schade aan de motor van de stofzuiger te voorkomen.

SCHOONMAKEN VAN DE AGITATOR

Reinig de agitators regelmatig om optimale reiniging prestaties te behouden.

1. Zet de robot **UIT** en draai hem om.
2. Druk op de clips op de bodemplaat en verwijder het deksel van de agitator. **[Afb. 11]**
3. Til de agitator op door een uiteinde van de agitator vast te nemen. **[Afb. 12]**
4. Gebruik de reinigingsborstel om alle verstrikkingen van de agitator en het vuil op de borstelharen te verwijderen. Verlies de rubberen huls op het kogellager niet.
5. Plaats na het reinigen de agitator en het deksel van de agitator terug in de robot.

Let op: Alle onderhoudstaken moeten worden uitgevoerd nadat het stofreservoir verwijderd werd, om te voorkomen dat het vuil in het stofreservoir per ongeluk geloosd wordt.

SCHOONMAKEN VAN DE RANDBORSTELS

Als de randborstels vuil worden, maak ze dan schoon met schoon water en droog ze af voor gebruik; als de randborstel beschadigd is en niet normaal kan werken, vervang deze dan.

Let op!

Zorg er bij het vervangen van de borstels voor het reinigen van randen voor dat de markeringen "L" en "R" op de borstel overeenkomen met de markeringen "L" en "R" aan de onderkant van de robot.

SCHOONMAKEN VAN DE AANDRIJFWIELEN [Afb. 13]

1. Zet de Robot uit en draai hem om.
2. Verwijder al het vuil of vastzittend haar in de wielen.
3. Maak de wielen schoon met een droge doek.

REINIGING VAN DE ANTIVALSENSORLENS [Afb. 14]

Om de veilige werking van uw robot te behouden, is het belangrijk om de valbeveiligingssensoren schoon te houden.

Aan de onderkant van de robot bevinden zich 3 sensoren. Draai de robot ondersteboven en maak ze schoon met een droge doek om opgehoopt stof, vuil of afval te verwijderen.

VERVANGEN VAN BATTERIJEN [Afb. 15]

1. Gebruik een schroevendraaier om de schroeven van het accudeksel aan de onderkant van de robot te verwijderen;
2. Verwijder het batterijdeksel.
3. Koppel de connector los en verwijder de accu uit het compartiment;
4. Plaats de nieuwe accu in het compartiment en sluit deze opnieuw aan op de connector. Let op de juiste uitlijning van de connector en de draden. Plaats het accudeksel terug en sluit het met de schroeven.
5. Schakel in om te controleren of het normaal is.

Let op!

Recycle de vervangen batterijen op een milieuvriendelijke manier om vervuiling te voorkomen.

BELANGRIJKE MEDEDELING

Gebruik voor uw robot alleen erkende vervangingsonderdelen.

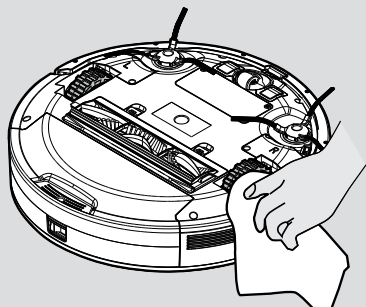
Het gebruik van niet door Hoover gevalideerde onderdelen maakt uw garantie ongeldig.

Als de robot gedurende meerdere maanden buiten gebruik zal blijven, gelieve dan de accu's te verwijderen en ze op een koele en droge plaats te bewaren.

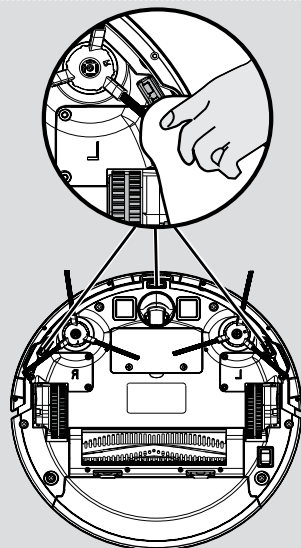
BELANGRIJK: Zorg er altijd voor dat uw apparaat is uitgeschakeld alvorens onderhoud uit te voeren. Til en verplaats de robot altijd met twee handen. Houd hem steeds vlak. **[Afb. 16]**

Zorg er bij het optillen van de robotstofzuiger voor dat u het stofreservoir niet vastpakt om onbedoeld openen te voorkomen. **[Afb. 17]**

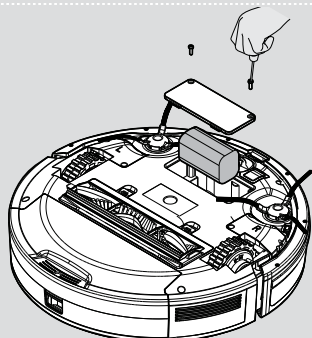
Gebruik de robotreiniger niet in rechtstreeks zonlicht of op donkere gepolijste oppervlakken, want die omstandigheden zullen het gedrag van uw robot negatief beïnvloeden.



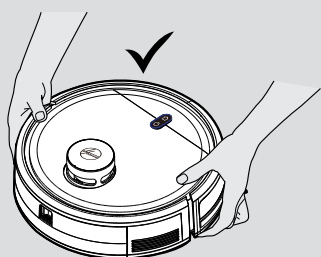
Afb. 13



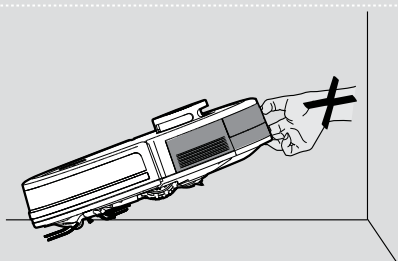
Afb. 14



Afb. 15



Afb. 16



Afb. 17

PROBLEEM OPLOSSEN

Mocht u problemen hebben met uw robot, volg dan eerst deze eenvoudige checklist voordat u het Hoover-klantenservicecentrum belt.

• De robot werkt niet wanneer hij ingeschakeld is

Lichtindicator van AAN/UIT- en Home-knoppen	Acties
Wit en blauw knipperen	Controleer of de randborstels schoon zijn en correct zijn geplaatst
	Controleer of de agitator schoon en correct geplaatst is
Wit licht aan	Controleer of het stofreservoir correct geplaatst is
Witte en lichtblauwe lichten knipperen	Controleer of de aandrijfwielen schoon zijn en functioneren
Witte en lichtblauwe lichten knipperen	Controleer of de valbeveiligingssensoren en de voorbumper schoon zijn en functioneren
Wit knipperen	Controleer of de Lidar-toren werkt

• De robot laadt niet automatisch op

Zorg ervoor dat er geen barrières zijn tussen de robot en de laadbasis en dat er geen objecten in het gebied rond de laadbasis zijn binnen een straal van 2 meter aan de voorkant en 1 meter aan elke kant.

• Robot zit vast

De robot zal proberen zich te bevrijden, maar in sommige gevallen moet u de robot met de hand helpen.

• De robot maakt erg veel lawaai tijdens het schoonmaken

Reinig het stofreservoir en het filter, reinig en controleer de agitator en de aandrijfwielen.

• Stofzuiger reinigt niet goed

Reinig het stofreservoir en het filter, reinig en controleer de agitator en de aandrijfwielen.

BELANGRIJKE INFORMATIE

Originele reserveonderdelen en toebehoren van Hoover

Gebruik uitsluitend originele reserveonderdelen van Hoover. Deze zijn verkrijgbaar bij uw Hoover dealer. Als u onderdelen bestelt, vermeld dan altijd het modelnummer.

KWALITEIT

De fabrieken van Hoover zijn op onafhankelijke wijze getest op kwaliteit. Onze producten worden vervaardigd aan de hand van een kwaliteitssysteem dat voldoet aan de vereisten van ISO 9001.

JOUW GARANTIE

De garantievoorwaarden voor dit toestel worden bepaald door onze vertegenwoordiger in het land waar het toestel wordt verkocht. Details omtrent deze voorwaarden zijn verkrijgbaar bij de dealer waar u het toestel hebt gekocht. Wanneer u aanspraak wilt maken op deze garantie, dan moet u het verkoop- of ontvangstbewijs voorleggen.

Wijzigingen zijn zonder voorafgaande kennisgeving mogelijk.

INSTRUÇÕES PARA UMA UTILIZAÇÃO SEGURA

Este aparelho só deve ser utilizado para limpeza doméstica, conforme descrito neste guia do utilizador. Certifique-se de que este manual é totalmente compreendido antes de utilizar o aparelho.

Desligue sempre o aparelho e retire o carregador da tomada antes de limpar o aparelho ou efetuar qualquer tarefa de manutenção.

Este aparelho pode ser utilizado por crianças com idade igual ou superior a 8 anos e por pessoas com capacidades mentais, sensoriais e físicas reduzidas ou sem experiência e conhecimento caso lhes sejam fornecidas instruções e supervisão relativas à utilização do aparelho de modo seguro e caso compreendam os perigos envolvidos. As crianças não devem brincar com o aparelho. A limpeza e a manutenção não devem ser efetuadas por crianças sem supervisão.

Se o cabo de alimentação estiver danificado deixe de utilizar o aparelho imediatamente. Para evitar um risco de segurança, o cabo de alimentação deve ser substituído por um técnico de assistência autorizado da Hoover.

Se a área a limpar possuir uma varanda ou escadas, deve ser utilizada uma barreira física para impedir o acesso à varanda ou escadas e garantir um funcionamento seguro. As crianças e os animais de estimação devem estar sob vigilância quando o Robot estiver a limpar.

Guarde sempre o aparelho dentro de casa. Não utilize no exterior nem exponha o eletrodoméstico a elementos, fontes de humidade ou calor (forno, lareira, pavimento molhado).

Não exponha o Robot ou os acessórios a calor/frio excessivo (mantenha-os entre os 0 e 30 °C).

Não deixe cair o Robot nem utilize qualquer acessório que tenha caído, sofrido danos, tenha sido deixado no exterior ou tenha caído dentro de água.

Nunca retire nem puxe o transformador elétrico através do cabo de alimentação.

Não o utilize para limpar escadas.

Bateria a carregar

Utilize apenas o carregador original fornecido com o aparelho.

Verifique que a tensão de alimentação corresponde à indicada no carregador.

Nunca carregue as baterias a temperaturas superiores a 30 °C ou inferiores a 0 °C.

Ligue o carregador fornecido com este aparelho a uma tomada adequada.

Podem ocorrer fugas das células da bateria sob utilização ou temperaturas extremas. Se o líquido entrar em contacto com a pele, lave rapidamente com água. Se o líquido entrar em contacto com os olhos, lave-os imediatamente com água limpa durante pelo menos 10 minutos. Consulte um médico.

É normal que o carregador aqueça enquanto estiver a carregar.

Utilize apenas acessórios, consumíveis ou peças sobressalentes recomendadas ou fornecidas pela Hoover.

Não aspire objectos rígidos ou afiados, fósforos, cinzas quentes, beatas de cigarros ou outros itens semelhantes.

Não pulverize com líquidos inflamáveis, fluídos de limpeza, aerossóis ou os seus vapores nem aspire os mesmos.

Não continue a utilizar o aparelho ou o carregador caso aparente estar defeituoso.

Assistência da Hoover: Para assegurar o funcionamento seguro e eficiente deste aparelho, recomendamos que todas as intervenções de assistência ou reparação sejam efetuadas apenas por um técnico de assistência autorizado da Hoover.

Não utilize o aparelho para limpar animais ou pessoas.

Não substitua as baterias do Robot por baterias não recarregáveis.

Se o Robot não for utilizado durante um longo período de tempo, (várias semanas), desligue manualmente o transformador elétrico.

Remoção da bateria após o fim da sua vida útil

Se for necessário eliminar o aparelho, primeiro retire as baterias. O aparelho deve ser desligado da fonte de alimentação ao remover a bateria. Elimine as baterias em segurança. Deixe o aparelho em funcionamento até parar devido ao facto de as baterias estarem completamente descarregadas. As pilhas usadas devem ser levadas para uma estação de reciclagem e não devem ser colocadas no lixo doméstico. Para remover as baterias, contacte o centro de apoio ao cliente da Hoover ou prossiga de acordo com as instruções seguintes.

Retire o carregador da tomada e desligue o Robot. Vire o Robot ao contrário e coloque-o sobre uma superfície plana. Retirar os parafusos e a tampa do compartimento da bateria. Remova a bateria.

NOTA: Caso experiencie qualquer dificuldade na desmontagem da unidade ou necessite de informações mais detalhadas sobre o trabalho, recuperação e reciclagem deste aparelho, contacte o departamento da sua cidade ou o serviço de eliminação de lixo doméstico.

NOTAS IMPORTANTES ANTES DE UTILIZAR

Leia atentamente as seguintes informações antes de utilizar o Robot ou os seus acessórios.

Não desmonte o Robot nem tente repará-lo sozinho. Se ocorrer uma avaria, queira contactar o seu serviço pós-venda da Hoover para obter aconselhamento profissional.

Escadas: O Robot utiliza sensores para evitar cair de escadas, degraus ou uma extremidade. Em algumas situações os sensores podem não funcionar correctamente.

O Robot não consegue detectar degraus com menos de 8 cm de altura. Degraus com menos de 8 cm podem provocar a queda do Robot. Se disponível, defina áreas proibidas ou paredes virtuais através do aplicativo para proteger seu robot contra quedas.

Superfícies altamente reflectoras ou muito escuras utilizadas em alguns degraus ou escadas, tais como vidro ou cerâmica polida podem provocar a queda do Robot. Se disponível, defina áreas proibidas ou paredes virtuais através do aplicativo ou coloque um tapete no degrau inferior para proteger seu robot contra quedas.

Deve evitar utilizar o Robot em mezaninos, passagens ou áreas elevadas sem delimitações. Se disponível, defina áreas proibidas ou paredes virtuais através da aplicação para evitar que o seu robot entre nestas áreas.

Utilização das baterias: O Robot é alimentado por baterias de iões de lítio recarregáveis de elevada capacidade. Estas baterias recarregáveis estão abrangidas por uma garantia de 6 meses se forem mantidas e utilizadas de acordo com este manual de instruções.

Caso o desempenho do Robot diminua significativamente, é possível substituir as baterias através de um representante Hoover.

Utilize apenas peças de substituição aprovadas pela Hoover no Robot. A utilização de peças não aprovadas pela Hoover é perigosa e irá tornar a sua garantia inválida.

Utilizar apenas a estação de carregamento fornecida e o adaptador de corrente para recarregar o seu robot. Utilizar uma estação de carregamento ou transformador principal incorrecto é perigoso e anulará a garantia.

Bandas de frequência	2412 MHz to 2472 MHz
Potência de RF máxima transmitida na banda de frequência	802.11 b: +15.95 dBm 802.11 g: +14.91 dBm 802.11 n20: +13.78 dBm

Ambiente

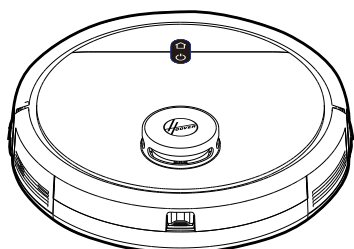
O símbolo no aparelho indica que este não pode ser tratado como resíduo doméstico. Pelo contrário, deve ser encaminhado para o ponto de recolha aplicável para reciclagem de equipamento eléctrico e electrónico. A eliminação deve ser realizada em conformidade com as leis ambientais locais relativas à eliminação de resíduos. Para obter informações mais detalhadas sobre o tratamento, recuperação e reciclagem deste produto, contacte as autoridades locais, o serviço de eliminação de resíduos domésticos ou a loja onde adquiriu o produto.



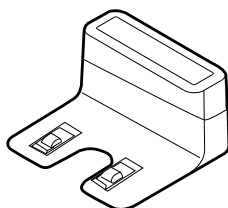
CE Este aparelho está em conformidade com as Diretivas Europeias 2014/53/UE e 2011/65/UE. Para receber uma cópia da declaração de conformidade, contacte o fabricante através do site Web: www.candy-group.com

CANDY HOOVER GROUP Srl Via Privata Eden Fumagalli, 20861 Brugherio (MB) Italy

CONTEÚDO DA CAIXA



Robot de limpeza.



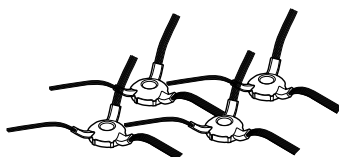
Base de carregamento



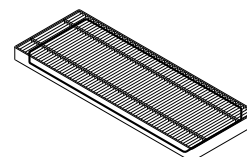
Manual de instruções



Transformador eléctrico



X4 Escovas de limpeza de margens

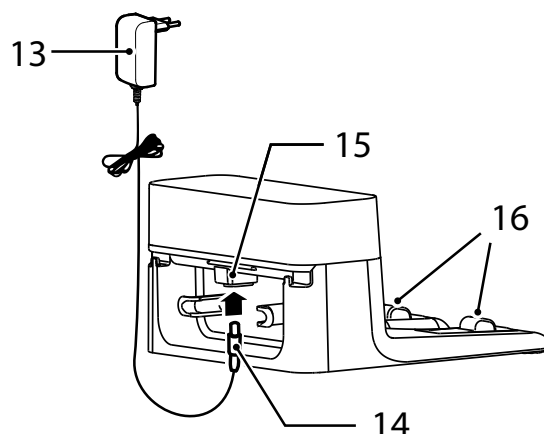
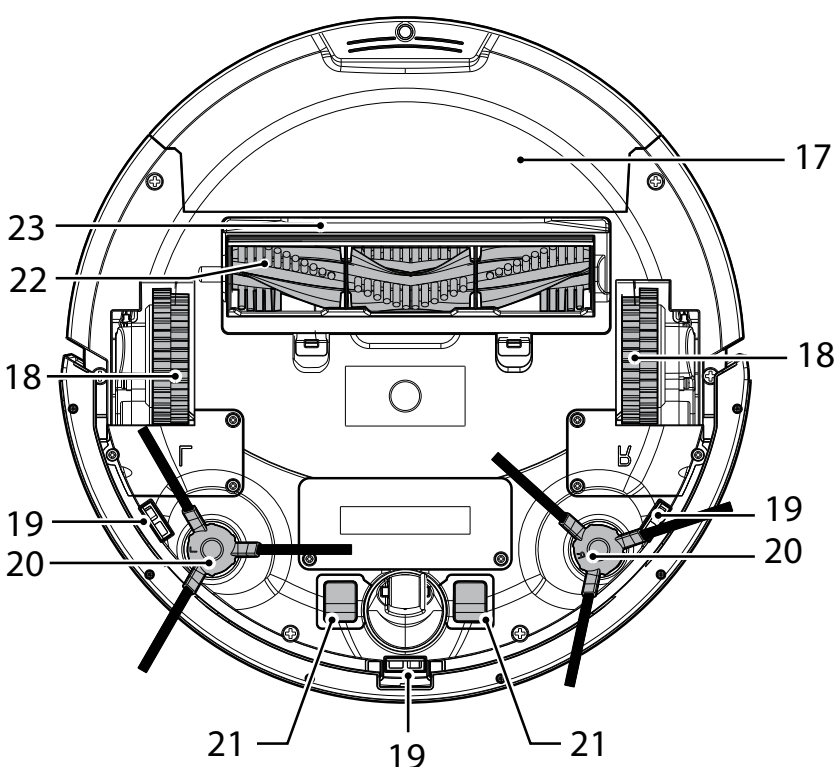
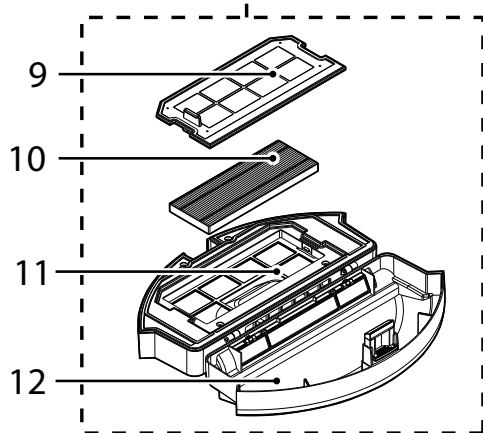
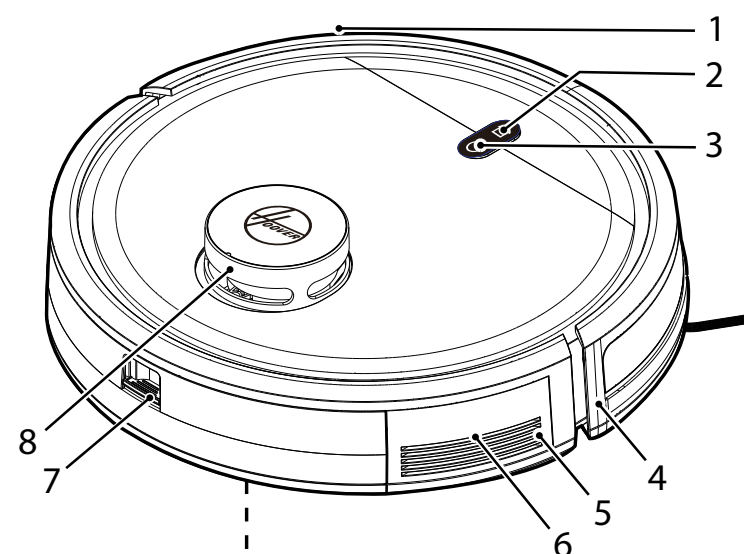


Filtro adicional para o robot



Escova de limpeza

APRESENTAÇÃO DO ROBOT



1	Pára-choque frontal
2	Botão INÍCIO (Base do Carregador)
3	Botão para ligar/desligar
4	Recetor de sinais frontal
5	Altifalante
6	Botão de reset (botão vermelho)
7	Trinco do Depósito de Pó
8	Torre Lidar
9	Rede do filtro
10	Filtro EPA
11	Tampa superior do recipiente de pó
12	Tampa inferior do recipiente de pó

13	Transformador eléctrico
14	Conector da fonte de alimentação
15	Ficha CC, base de carga
16	Contactos do carregador

17	Depósito de pó
18	Roda motriz
19	Sensor antiqueda
20	Escova de limpeza das extremidades
21	Contactos de carregamento do robot
22	Agitador
23	Tampa superior do agitador

PREPARAR O SEU ROBOT

EMBALAGEM

Não elimine a embalagem do Robot. Pode ser exigida a validade da sua garantia no futuro. Ao desembalar o Robot e os seus acessórios, tenha cuidado para manter os sacos afastados de bebés, crianças e animais de modo a evitar o risco de asfixia.

Antes da primeira utilização, carregue o carregador durante 4-6 horas. **[Fig. 1]**

Não exponha o transformador eléctrico a temperaturas inferiores a 0 °C ou superiores a 30 °C, pois pode danificar a bateria.

O transformador eléctrico apenas deve ser ligado a uma tomada de corrente eléctrica padrão.

BATERIA

Para o desempenho ideal da bateria, é recomendado manter as baterias do Robot totalmente carregadas.

Quando o robot não está em uso, deve ser deixado conectado à base do carregador. O robô possui um sistema de carregamento inteligente. Isso evita que as baterias fiquem sobrecarregadas.

Para evitar acidentes, certifique-se de que todas as pessoas na divisão estão cientes da presença do Robot.

PREPARAR A SUA CASA

Antes da utilização, remover os obstáculos que possam entrar no caminho do robô. Preste atenção a:

- Objectos que possam ser facilmente derrubados.
- Extremidades de alcatifas ou tapetes que possam ficar presas.
- Cortinas ou toalhas de mesa cujas extremidades estejam em contacto com o pavimento.
- Fontes de calor ou itens inflamáveis.
- Cabos e fios de energia.
- Objectos frágeis.

CONFIGURAÇÃO DA ESTAÇÃO DE CARREGAMENTO

1. Conecte o adaptador de energia e conecte-o à base do carregador. **[Fig. 2]**
2. Verifique se o cabo de força não está preso sob a base do carregador.
3. Coloque a base de carregamento sobre uma superfície nivelada não-refletora, de preferência contra uma parede. Se a superfície do pavimento for muito reflexiva, irá interferir com o sistema de navegação do robot e poderá ter dificuldade em localizar a base de carregamento.
4. Não devem existir objetos na área em torno da base de carregamento, 2 metros na parte frontal e 1 metro em cada um dos lados. **[Fig. 2]**
5. Certifique-se de que o cabo de alimentação não está enrolado ou esticado. Se existir cabo em excesso, utilize o tensor do cabo de alimentação para guardá-lo de forma adequada.
6. Verifique se o recipiente de pó está inserido corretamente no robot
7. Pressione as duas escovas de limpeza de borda nos suportes até que se encaixem no lugar. Prestar atenção à designação L e R no dispositivo, bem como às escovas. **[Fig. 3]**
8. Retire as esponjas do robot de limpeza. Para começar, guie o seu robot para a base do carregador. Durante a utilização normal, demorará aproximadamente 4/5 horas até recarregar na totalidade.

CARREGAMENTO DAS PILHAS **[Fig. 4]**

Pressione o botão ON/OFF do robot por 3 a 5 segundos para ligar o robô, coloque-o na frente da base do carregador.

Pressione o botão Início (Base do carregador) no robot, certifique-se de que está a mover-se para a base do carregador.

Para o desempenho ideal da bateria, é recomendado manter as baterias do robot totalmente carregadas.

Quando a bateria estiver a carregar, os botões ON/OFF e Início (Base do carregador) piscarão em branco.

Se a bateria estiver totalmente carregada, as luzes estão APAGADAS.

Carga automática

Se a capacidade da bateria do robot estiver baixa durante a sessão de limpeza, o limpador do robô interromperá a limpeza e começará a procurar a base do carregador para se carregar.

Quando o robot limpador terminar a sessão de limpeza, mudará automaticamente para o modo de recarga e começará a procurar a base do carregador para se carregar.

NOTA: Certifique-se de que os contactos de carregamento do robot e da base do carregador não estejam sujos. Limpe os contactos de carregamento, se necessário.

Se o robot não puder ser ligado devido à baixa potência, mova manualmente o robô para a base do carregador para carregar. Os contactos de carregamento devem estar alinhados e a escova de limpeza das bordas não deve ficar presa entre os contactos de carregamento.

Bateria

Com o tempo, a capacidade da bateria do robot diminuirá e precisará ser substituída. Uma bateria de substituição pode ser adquirida num revendedor autorizado Hoover. Utilize apenas peças de reposição e acessórios originais Hoover.

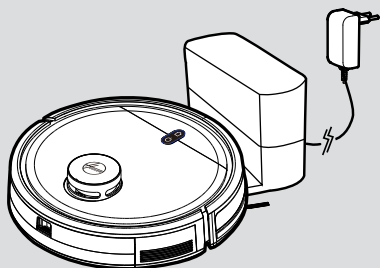


Fig. 1

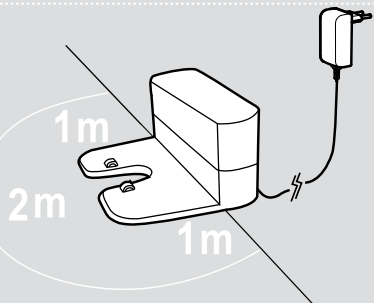


Fig. 2

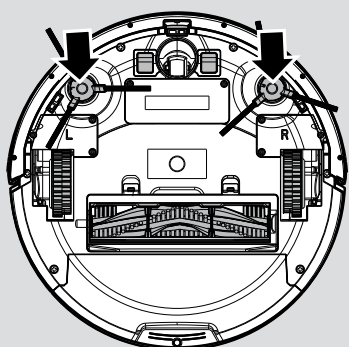


Fig. 3

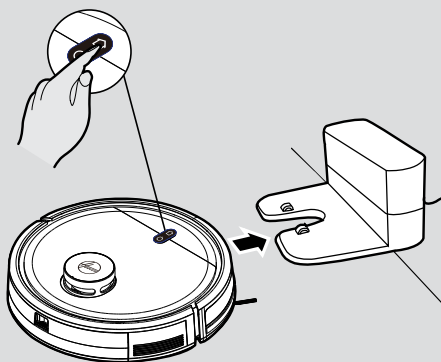


Fig. 4

UTILIZAR O SEU ROBOT

• Botão Início (Base do Carregador)

Pressão breve: Recarregar

Pressão longa: Conexão da APP

Indicador luminoso:

Luz branca intermitente: carregamento

Luz branca a piscar rapidamente: Conexão da APP

• Botão para ligar/desligar

Pressão longa: ligar (se o robot estiver desligado)

Pressão longa: desligar (se o robot estiver ligado)

Pressão breve: iniciar/interromper (se o robô estiver no modo de suspensão)

Indicador luminoso:

Luz azul intermitente: modo de espera

A luz azul está sempre acesa: modo de trabalho

Luz azul apagada: modo de suspensão

1. O processo de operação do robot: modo repouso > estado de standby > modo de trabalho

A. Modo repouso: Quando o robot estiver no modo de espera e não estiver a funcionar por 3 minutos, entrará automaticamente no modo de espera. Quando o robot está no modo de suspensão, a luz do botão está desligada e o robot está parado.

B. Modo de espera: Quando o robot está no modo de espera, a luz do botão fica azul a piscar e o robot está parado.

C. Modo de trabalho: Quando o robot está a funcionar, a luz do botão está sempre acesa a azul e o robot está na sessão de limpeza.

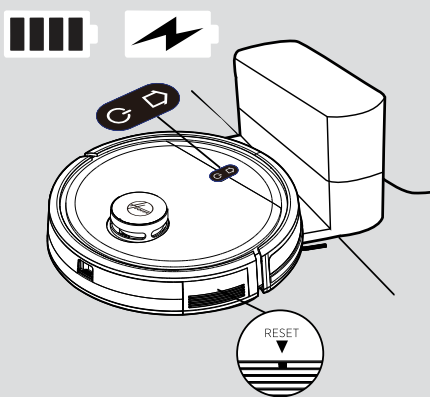


Fig. 5

2. Pausa

Pausa significa que o robot é alternado do modo de trabalho para o modo de espera. Tal pode ser realizado pressionando o botão "on/off" no robot ou através da aplicação móvel.

Atenção! [Fig. 5]

Se o robot estiver no modo de suspensão, pressione o botão "ON/OFF" no robot duas vezes para que ele comece a limpar.

Se o robot não for utilizado durante muito tempo, prima longamente o botão "ON/OFF" (ligar/desligar) para desligar o robô. Quando o robot encontrar um acidente, pressione o botão Reset na buzina por 2-3 segundos com uma agulha de menos de 2 mm para desligar à força.

TRANSFERÊNCIA DA APLICAÇÃO E LIGAÇÃO POR WI-FI [Fig. 6]

Para aceder a todas as funções do robot em qualquer lugar, sugerimos que transfira a APP HG5. Poderá controlar o robot da forma mais eficiente.

1. Transfira a APP "HG5" da sua App Store, Google Play ou Galeria de APP.
2. Abra a APP e crie uma conta com o seu email e uma palavra-passe. Confirme o início de sessão.
3. Certifique-se de que o seu dispositivo móvel está ligado ao Wi-Fi.
4. Clique em "adicionar dispositivo" na APP, siga as instruções para concluir o emparelhamento.

ATENÇÃO

O nome do Wi-Fi não pode exceder os 32 caracteres.

Se a conexão falhar, siga as etapas abaixo para verificar:

- Certifique-se de que introduziu a palavra-passe correta do Wi-Fi
- Configure a sua rede Wi-Fi como 2,4 GHz
- Certifique-se de que o robot não está muito longe do router.

COM APP HG5

Depois de ter emparelhado com sucesso o seu robot, pode criar o mapa da sua casa. Isso permitirá que aceda às configurações totalmente personalizáveis e agendas de limpeza do seu robot.

Clique no ícone do robot para aceder à página do mapa. Lembre-se de remover qualquer obstáculo no chão (cabos, meias, sapatos) antes de ligar o robot.

Clique no botão LIGAR para que o robô comece a mapear o seu apartamento. Verá a criação do mapa na sua home page. Assim que o robot rastrear todo o seu apartamento, verá o mapa completo no seu telefone. Pode dar um nome a cada divisão, personalizá-la e configurar uma programação de limpeza dedicada (nível de potência de aspiração, nível de limpeza, frequência de limpeza, etc.).

- Tempo de limpeza: indica a duração da última sessão de limpeza
- Área limpa: indica os metros quadrados cobertos pelo robot durante a última sessão de limpeza
- Bateria: nível de corrente da bateria

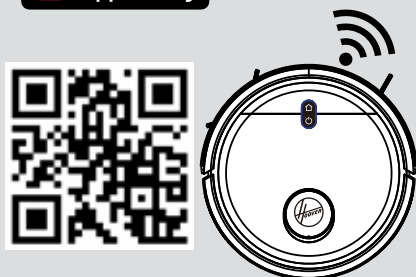
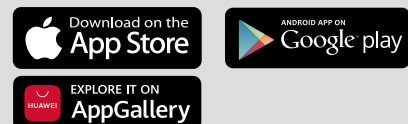


Fig. 6

- ALIMENTAÇÃO LIGADA (🔌)

O robot inicia a limpeza de acordo com as definições de limpeza atuais.

- VOLTAR PARA CARREGAR (🔌)

O robot voltará para a base do carregador.

* Todos os outros ícones estarão ligados e estarão disponíveis apenas depois de clicar no ícone Ligar.

- IR PARA O LUGAR (📍)

Selecione uma local específico no mapa, o robot irá até lá e iniciará a sua sessão de limpeza de acordo com as definições de limpeza atuais.

- SELECIONAR A DIVISÃO (📐)

Selecione uma divisão específica no mapa, o robot irá até lá e iniciará a sua sessão de limpeza de acordo com as definições de limpeza clube.

- SELECIONAR ÁREA (📏)

Selecione uma área específica no mapa, o robot irá até lá e iniciará a sua sessão de limpeza de acordo com as definições de limpeza atuais.

- ÁREAS INTERDITAS (🚫)

Defina uma área específica onde o robot não poderá ir. É possível definir áreas proibidas para esfregar, aspirar ou ambos.

- PERSONALIZAR (🔧)

Personalize as divisões no mapa. É possível misturar ou dividir diferentes divisões, redefinir totalmente o mapa, renomear divisões, definir a programação de limpeza para cada divisão, definir a sequência de limpeza para as divisões.

- CONFIGURAÇÕES (...)

Lista completa de configurações do robot

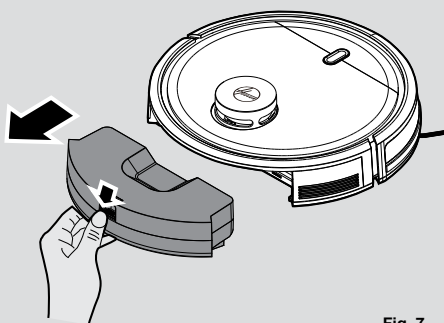


Fig. 7

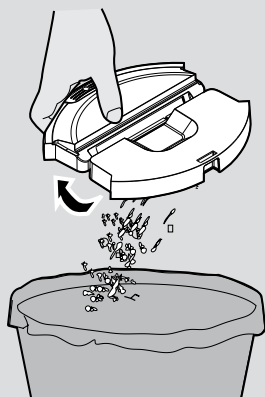


Fig. 8

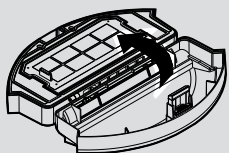


Fig. 9

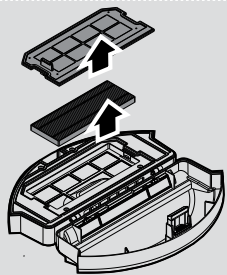


Fig. 10

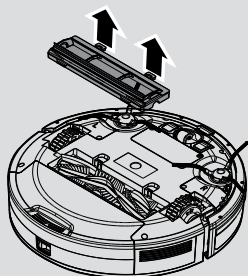


Fig. 11

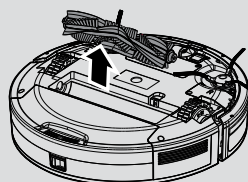


Fig. 12

MANUTENÇÃO DO SEU ROBOT

ESVAZIAR O DEPÓSITO DE PÓ

Antes de efectuar tarefas de manutenção, certifique-se de que o Robot está desligado.

1. Desligue o robot e retire-o da base do carregador.
2. Utilize um pano seco para limpar todas as superfícies. NÃO permita a entrada de água em qualquer parte do produto durante a limpeza.

Após a aspiração, retirar o recipiente do pó.

1. Pressionar o botão de libertação e puxá-lo para fora. [Fig. 7]
2. Esvazie o recipiente de pó sobre um caixote de lixo. [Fig. 8]
3. Use a escova de limpeza quando for necessária a remoção do excesso de poeira da superfície interna do recipiente de poeira ou da superfície do filtro
4. Volte a colocar o recipiente do pó no robot

LIMPAR OS FILTROS

O robot está equipado com um filtro pré-motor. Para manter um desempenho de limpeza ideal, limpe regularmente a tampa do filtro e o filtro do pré-motor. Devem ser limpos após o recipiente de pó ter sido esvaziado 5 vezes e não devem ser lavados.

1. Depois de aspirar, remova o recipiente de pó, pressione o botão de libertação e puxe-o para fora.

[Fig. 7]

2. Esvazie o depósito de pó. [Fig. 8] Abra o recipiente de pó, remova a malha do filtro com o filtro em conjunto, em seguida, remova o filtro EPA da malha do filtro e limpe-os separadamente. A montagem é feita na ordem inversa, certifique-se de que o filtro está montado corretamente. [Fig. 9,10]

IMPORTANTE: Verifique e faça a manutenção dos filtros regularmente seguindo as instruções de manutenção do filtro. Tal irá manter o desempenho máximo de limpeza.

Se a malha do filtro e o filtro estiverem danificados, estes devem ser removidos imediatamente e substituídos a tempo para evitar danificar o motor de aspiração.

LIMPAR O AGITADOR

Limpe o agitador regularmente para manter o máximo desempenho de limpeza.

1. Desligue o robot e vire-o ao contrário.
2. Pressione os cliques na placa individual e retire a tampa do agitador. [Fig. 11]
3. Levante o agitador segurando uma extremidade do agitador. [Fig. 12]
4. Use a escova de limpeza para remover qualquer emaranhamento do agitador e a sujidade nas cerdas. Não perca a manga de borracha no rolamento de esferas.
5. Após a limpeza, coloque o agitador e a tampa do agitador de volta no robot.

Atenção: Todas as tarefas de manutenção devem ser realizadas depois de retirar o recipiente de pó, para evitar que a sujidade no recipiente de pó seja despejada acidentalmente.

LIMPAR AS ESCOVAS DE MARGENS

Quando as escovas das bordas ficarem sujas, lave-as com água limpa e seque-as antes de usar; se a escova de borda estiver danificada e não puder funcionar normalmente, substitua-a.

Atenção!

Ao substituir as escovas de limpeza de borda, combine as marcas "L" e "R" na escova com as marcas "L" e "R" na parte inferior do robot.

LIMPAR AS RODAS DE TRACÇÃO [Fig. 13]

1. Desligue o Robot e vire-o ao contrário.
2. Remova a sujidade ou pêlos presos nas rodas.
3. Limpe as rodas com um pano seco.

LIMPAR A LENTE DO SENSOR ANTIQUEDA [Fig. 14]

Para manter o funcionamento seguro do seu robot, é importante manter os sensores antiqueda limpos. Existem 3 sensores localizados na parte inferior do robot. Girar o robot de cabeça para baixo e limpá-lo com pano seco para remover qualquer acumulação de poeira, sujidade ou detritos.

SUBSTITUIÇÃO DA BATERIA [Fig. 15]

1. Utilize uma chave de fendas para remover os parafusos da tampa da bateria na parte inferior do robot;
2. Remova a tampa das pilhas.
3. Desligue o conector e retire as baterias do compartimento;
4. Coloque a nova bateria no compartimento e reconecte ao conector. Preste atenção ao alinhamento correto do conector e dos fios. Recolocar a tampa da bateria e os parafusos.
5. Ligue para verificar se está normal.

Atenção!

Recicle as baterias substituídas usando um método ecologicamente correto para evitar a poluição.

AVISO IMPORTANTE

Utilize apenas peças de substituição aprovadas para o robot.

A utilização de peças não aprovadas pela Hoover é perigosa e irá tornar a sua garantia inválida.

Se o robot não for utilizado por vários meses, remova as baterias e guarde num local fresco e seco.

IMPORTANTE: Deve desligar sempre o dispositivo antes de efetuar a manutenção. Use sempre as duas mãos para levantar e transportar e certifique-se de que o robot esteja nivelado. [Fig. 16]

Ao acender o robot de limpeza, certifique-se de não agarrar o recipiente de pó para evitar a sua abertura acidental. [Fig. 17]

Deve evitar utilizar o seu robot de limpeza à luz solar direta ou em superfícies escuras polidas, uma vez que estas condições irão afetar negativamente o comportamento do seu robot.

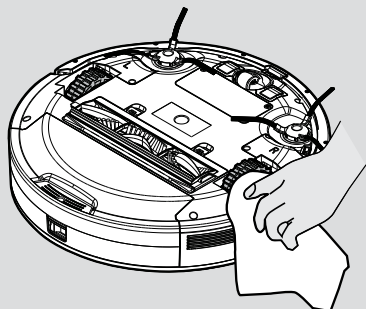


Fig. 13

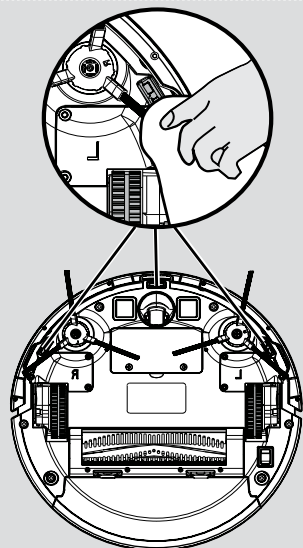


Fig. 14

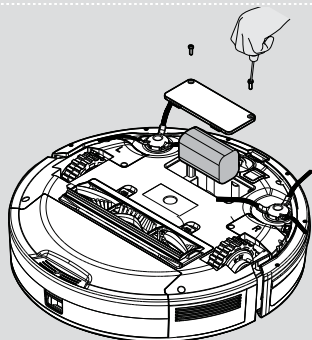


Fig. 15

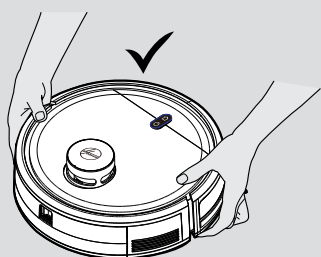


Fig. 16

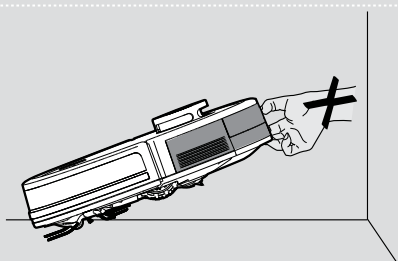


Fig. 17

RESOLUÇÃO DE PROBLEMAS

Se tiver qualquer problema com o seu robot, siga esta lista de verificação simples antes de contactar o Centro de Assistência ao Cliente da Hoover:

• O robot não funciona quando está ligado

Indicador luminoso dos botões ON/OFF e Home	Ações
Branco e azul a piscar	Verifique se as escovas de limpeza da borda estão limpas e colocadas corretamente
	Verifique se o agitador está limpo e colocado corretamente
Branco ligado	Verifique se o recipiente de pó está inserido corretamente
Luzes brancas e azuis claras intermitentes	Verificar se as rodas motrizes estão limpas e a funcionar
Luzes azuis e azuis claras intermitentes	Verifique se os sensores antiqueda e o para-choque frontal estão limpos e a funcionar
Branco a piscar	Verificar se a torre Lidar está a funcionar

• O robot não recarrega automaticamente

Certifique-se de que não existem barreiras entre o robot e a base do carregador e de que não existem objetos na área em torno da base do carregador durante 2 metros à frente e 1 metro de cada lado.

• O robot está preso

O robot tentará libertar-se, mas em alguns casos assista o robot manualmente.

• O robot produz muito ruído durante a limpeza

Limpe o recipiente de pó e o filtro, limpe e verifique o agitador e as rodas motrizes.

• Potência de limpeza reduzida

Limpe o recipiente de pó e o filtro, limpe e verifique o agitador e as rodas motrizes.

INFORMAÇÕES IMPORTANTES

PEÇAS SOBRESSALENTES E CONSUMÍVEIS HOOVER

Substitua sempre as peças por peças sobressalentes Hoover genuínas. Pode obtê-las junto do seu representante local ou diretamente da Hoover. Quando encomendar peças, mencione sempre o número do seu modelo.

QUALIDADE

A qualidade das instalações industriais da Hoover foi avaliada de forma independente. Os nossos produtos são fabricados de acordo com um sistema de qualidade que satisfaz os requisitos da norma ISO 9001.

A SUA GARANTIA

As condições de garantia para este aparelho são as definidas pelo nosso representante no país onde foi vendido. Pode obter detalhes sobre estas condições junto do agente a quem adquiriu o aparelho. A fatura de venda ou o recibo deverão ser entregues quando apresentar uma reclamação ao abrigo dos termos da garantia.

Sujeito a alteração sem aviso prévio.

INSTRUCCIONES PARA UN USO SEGURO

Este aparato solo debe utilizarse para la limpieza doméstica, como se describe en este manual de usuario. Asegúrese de haber comprendido todo el contenido de este manual antes de poner en funcionamiento el aparato.

Apague y quite el cargador de la toma de corriente antes de limpiar el aparato o de efectuar cualquier operación de mantenimiento.

Este aparato puede ser usado bajo supervisión por niños de mayor de 8 años o por personas con capacidades físicas, sensoriales o mentales reducidas o falta de experiencia con supervisión o con una explicación previa de las instrucciones con respecto al uso del aparato y comprendiendo los riesgos implicados. Los niños no deben jugar con el aparato. Los niños no deben limpiar ni dar mantenimiento sin supervisión.

Si el cable de alimentación está dañado, deje de utilizar el aparato inmediatamente. Para evitar riesgos de seguridad, el cable de alimentación sólo puede ser cambiado por un especialista de un Servicio Técnico Oficial de Hoover.

Si el área a limpiar es un balcón o escaleras, debe utilizarse una barrera física para impedir la entrada al balcón o las escaleras y garantizar un funcionamiento seguro. Mientras el Robot está limpiando, se debe vigilar a los niños pequeños y a las mascotas.

Conserve el aparato siempre en interiores. **No** utilizar el aparato en exteriores ni exponerlo a la intemperie, humedad o fuentes de calor (horno, chimenea, piso mojado).

No exponer el Robot o sus accesorios a calor o frío excesivo; (mantenerlo entre 0-30 grados). **No** cuelgue el Robot ni utilice ningún accesorio si se ha caído, dañado, mojado o dejado a la intemperie.

Nunca desenchufe ni tire del adaptador tirando del cable de conexión.

No lo utilice para limpiar escaleras.

Recarga de las baterías

Utilice únicamente el cargador original suministrado con el aparato.

Controle que el voltaje de la corriente eléctrica sea el mismo que el indicado en el cargador.

Nunca cargue las baterías a una temperatura superior a 30°C o inferior a 0°C.

Enchufe el cargador suministrado con este electrodoméstico en una toma de corriente adecuada.

Bajo condiciones de uso excesivo o temperatura extrema, pueden producirse fugas de las celdas de la batería. Si el líquido entra en contacto con la piel, lávela rápidamente con agua. Si el líquido entra en contacto con los ojos enjuáguelos de inmediato y de forma continuada con agua limpia durante un mínimo de 10 minutos. Solicite atención médica.

Es normal que el cargador se caliente mientras se está cargando.

Utilice únicamente accesorios, consumibles o repuestos recomendados o distribuidos por Hoover.

No debe aspirar objetos duros o afilados, cerillas, ceniza, colillas u otros objetos similares.

No debe pulverizar ni recoger con el aparato líquidos inflamables, productos de limpieza, aerosoles u otros vapores.

No debe seguir utilizando el electrodoméstico o el cargador si parece estar defectuoso.

Servicio Técnico Oficial de Hoover: Para garantizar el funcionamiento seguro, eficaz y duradero del aspirador, recomendamos que las tareas de mantenimiento sean realizadas exclusivamente por técnicos autorizados del Servicio Técnico Oficial de Hoover.

No debe emplear el aparato para limpiar sobre personas o animales.

No sustituya las baterías del Robot con baterías no recargables.

Si no se va a utilizar el Robot durante un largo periodo de tiempo (varias semanas), desconecte la base de carga del suministro eléctrico.

Extracción de las baterías por finalización de la vida útil

Para desechar el aparato, primero es necesario extraer la batería. Cuando extraiga la batería, el electrodoméstico debe estar desconectado de la corriente eléctrica. Extraiga la batería de manera segura. Haga funcionar el electrodoméstico hasta que se detenga cuando la batería esté totalmente descargada. Las baterías usadas deben llevarse a un punto de reciclaje y no deben desecharse con los residuos domésticos. Para quitar la batería, contacte con el Servicio Técnico de Hoover o siga las siguientes instrucciones.

Desenchufe el cargador y apague el Robot. Vuelque el Robot y colóquelo en una superficie nivelada. Retire los tornillos y la tapa del compartimento de las pilas. Extraiga el paquete de baterías.

NOTA: Si llega a experimentar problemas al desmontar el aspirador o para obtener más información sobre el funcionamiento, la recuperación y el reciclaje de este electrodoméstico, contacte con su Ayuntamiento o con el servicio de recogida de residuos domésticos de su zona.

ANTES DE SU USO: NOTAS IMPORTANTES

Lea atentamente la siguiente información antes de utilizar el Robot o sus accesorios.

No desmonte el Robot ni intente repararlo usted mismo. En caso de fallos, contacte con el Servicio Postventa de Hoover para recibir asesoramiento profesional.

Escaleras: El Robot utiliza sensores que impiden su caída en peldaños, escaleras o bordes. En ciertas situaciones, los sensores pueden resultar confundidos. El Robot no puede detectar peldaños inferiores a 8 cm de altura, Los peldaños de altura inferior a 8 cm pueden causar la caída de Robot. Si está disponible, establezca áreas prohibidas o muros virtuales a través de la aplicación para proteger a su Robot de caídas.

Las superficies altamente reflectantes o muy oscuras, utilizadas en algunos peldaños o escaleras, tales como vidrio o cerámica pulida, pueden causar la caída de Robot. Si está disponible, establezca áreas prohibidas o barreras virtuales a través de la aplicación o coloque una alfombra en el peldaño más bajo para proteger a su Robot de caídas.

Debe evitarse el uso del Robot en entresuelos, descansillos de escalera o áreas elevadas sin bordes. Si está disponible, establezca áreas prohibidas o barreras virtuales a través de la aplicación para evitar que su Robot entre en estas zonas.

Uso de la batería: El Robot está accionado por baterías recargables de iones de litio de alta capacidad. Estas baterías recargables están garantizadas por un período de 6 meses, siempre que su mantenimiento y operación sean efectuados de acuerdo con las instrucciones de este manual de usuario.

En caso de una reducción significativa del rendimiento del Robot, el Servicio Técnico de Hoover puede proporcionarle baterías de repuesto.

Para su robot, utilice sólo repuestos autorizados. El uso de piezas de recambio no autorizadas por Hoover son peligrosas e invalidarán la garantía.

Utilice únicamente la base de carga y el adaptador de corriente suministrados para recargar el Robot. El uso incorrecto de la base de carga o del adaptador de corriente es peligroso e invalida su garantía.

Bandas de frecuencias	2412 MHz to 2472 MHz
Potencia máxima de radiofrecuencia transmitida en la banda de frecuencias	802.11 b: +15.95 dBm 802.11 g: +14.91 dBm 802.11 n20: +13.78 dBm

El Medio Ambiente:

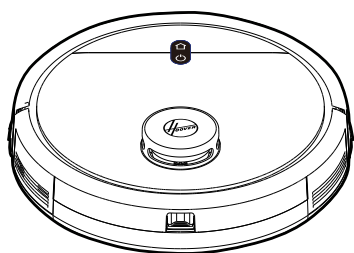
El símbolo que puede verse en el producto indica que este no puede tratarse como residuos domésticos. En su lugar, se debe entregar en un punto de recogida de electrodomésticos para el reciclaje de equipos eléctricos y electrónicos. La eliminación debe llevarse a cabo según los reglamentos medioambientales locales sobre eliminación de residuos. Para más información sobre el tratamiento, la recuperación y el reciclaje de este aparato, ponte en contacto con tu Ayuntamiento, el servicio de recogida de residuos domésticos o con el establecimiento donde hayas comprado el producto.



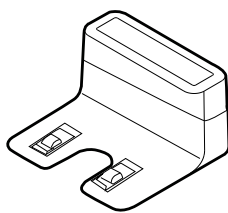
CE Este aparato cumple con las Directivas Europeas 2014/53/UE y 2011/65/UE. Para recibir una copia de la declaración de conformidad, contacte con el fabricante a través del sitio web: www.hoover.es

CANDY HOOVER GROUP Srl Via Privata Eden Fumagalli, 20861 Brugherio (MB) Italy

CONTENIDO DE LA CAJA



Robot aspirador



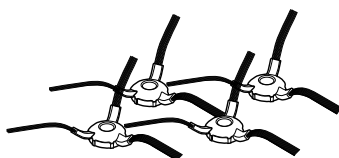
Base de Carga



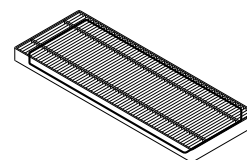
Manual de usuario



Adaptador



Cepillo para limpieza de rincones (2 piezas)

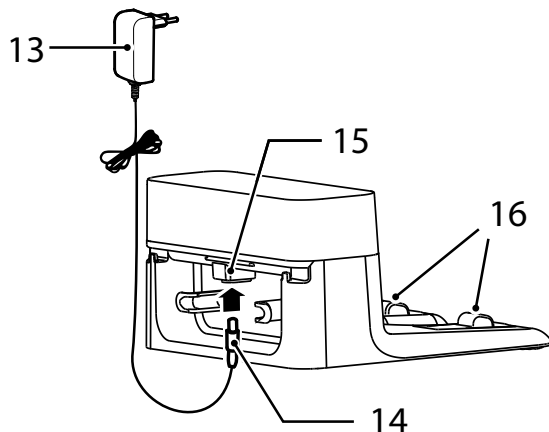
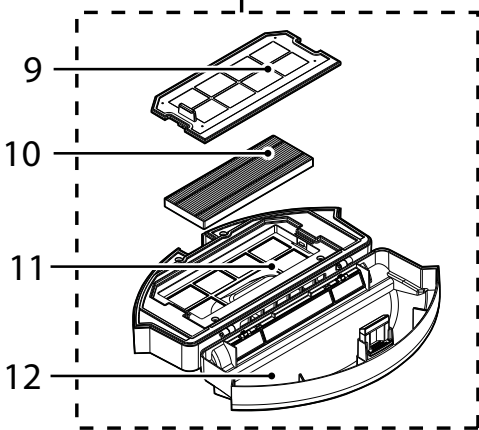
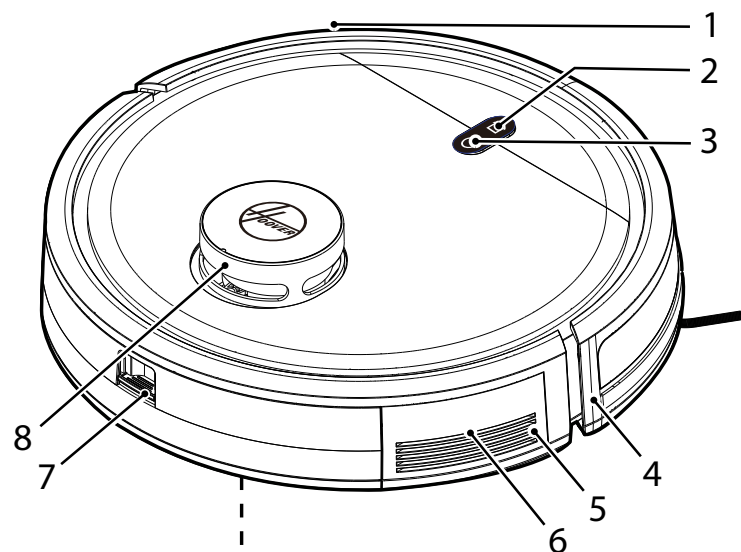


Filtro adicional para robot



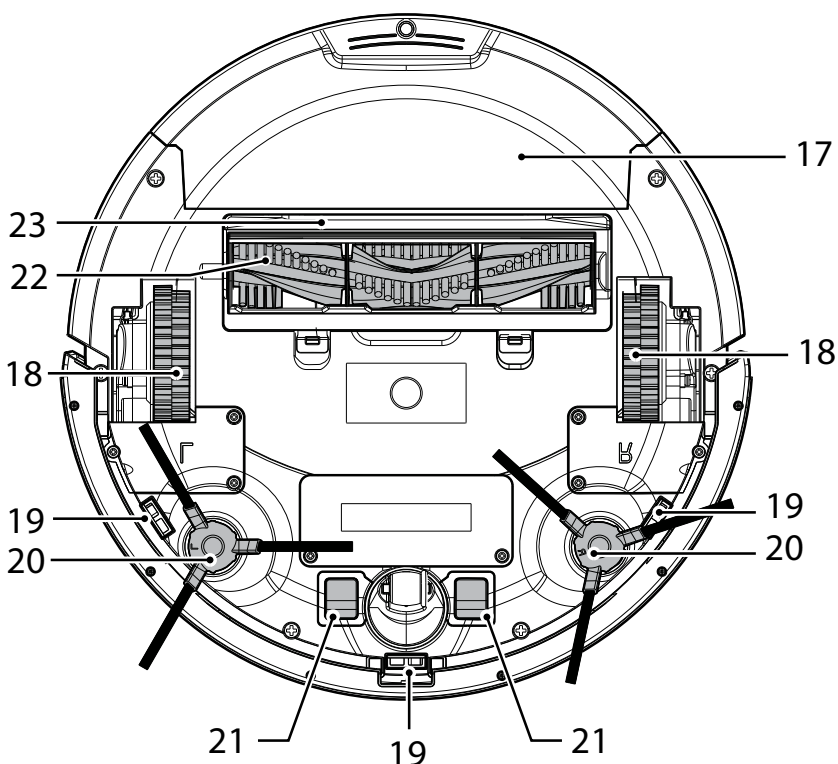
Cepillo para limpieza

CONSIGUE INFORMACIÓN SOBRE SU ROBOT



1	Parachoque frontal
2	Botón HOME (Base de carga)
3	Botón de On/Off
4	Receptor de señales frontal
5	Altavoz
6	Botón de reinicio (Botón rojo)
7	Pulsador desbloqueo depósito de polvo
8	Torre Lidar
9	Malla del filtro
10	Filtro EPA H10
11	Tapa superior del contenedor de polvo
12	Tapa inferior del contenedor de polvo

13	Adaptador
14	Conector de alimentación de potencia
15	Conector de CC, base de carga
16	Contactos del cargador



17	Depósito de suciedad
18	Rueda propulsora
19	Sensor anticaída
20	Cepillo para limpieza de bordes
21	Contactos de carga del robot
22	Rodillo
23	Tapa superior del agitador

PREPARACIÓN DEL ROBOT

EMBALAJE

No tirar el embalaje del Robot. Puede que se requiera para la validación de su garantía en el futuro. Al desembalar el robot y sus accesorios, deje fuera del alcance de bebés, niños y animales las bolsas, para evitar peligros de asfixia.

Para usarlo por primera vez, cargue el aspirador durante 4-6 horas. **[Fig. 1]**

No exponga el adaptador del Robot a temperaturas inferiores a 0°C o mayores de 30°C porque podría dañar la batería.

El adaptador debe conectarse únicamente a una toma de red estándar.

BATERÍA

Para unas prestaciones óptimas de la batería, se recomienda mantener las baterías de su Robot a plena carga.

Cuando el Robot no está en uso debe dejarse conectado a la base de carga. El robot tiene un sistema de carga inteligente, que evita que las baterías se sobrecarguen.

Para evitar accidentes, asegurarse de que todas las personas presentes en la estancia son conscientes de la presencia del Robot.

PREPARE SU HOGAR

Antes del uso, elimine los obstáculos que pudiesen encontrarse en el itinerario del Robot. Preste atención a:

- Los objetos que puedan volcarse con facilidad.
- Los bordes de las alfombras en los que pueda agarrarse.
- Cortinas que lleguen hasta el suelo y manteles.
- Fuentes de calor o artículos inflamables.
- Cables y cables de alimentación
- Objetos frágiles.

CONFIGURACIÓN DE LA ESTACIÓN DE CARGA

1. Enchufe el adaptador de corriente y conéctelo a la base de carga. **[Fig. 2]**
2. Asegúrese de que el cable de alimentación no esté atrapado debajo de la base de carga.
3. Sitúe la base de carga en un suelo no reflectante y plano, preferiblemente contra una pared. Si la superficie del piso es muy reflectante, interferirá con el sistema de navegación del robot, el cual puede hallar dificultades en localizar la base de carga.
4. No debería haber ningún objeto en el área cercana a la base de carga en 2m por delante y 1m a cada lado. **[Fig. 2]**
5. Asegúrese de que el cable de alimentación no esté enredado ni tenso. Si su longitud es excesiva, utilizar la presilla de amarre del cable de alimentación para guardarlo de manera ordenada.
6. Compruebe que el depósito de polvo está insertado correctamente en el Robot
7. Presione los dos cepillos de limpieza de bordes sobre los soportes hasta que encajen en su sitio. Preste atención a la designación L y R en el dispositivo, así como a los cepillos. **[Fig. 3]**
8. Retire las esponjas del robot aspirador. Guíe a su robot a la estación de carga para comenzar. Durante un uso normal, una recarga completa se efectuará en aproximadamente 4/5 horas.

CARGA DE LA BATERÍA [Fig. 4]

Mantenga pulsado el botón ON/OFF del robot durante 3 a 5 segundos para encenderlo, colóquelo delante de la base de carga.

Pulse el botón de inicio (base de carga) del robot, asegúrese de que se mueve hacia la base de carga. Para unas prestaciones óptimas de la batería, se recomienda mantener la batería de su Robot a plena carga.

Cuando la batería se esté cargando, los botones ON/OFF y Home (base de carga) parpadearán en blanco.

Si la batería está cargada por completo, las luces se APAGAN.

Carga automática

Si la capacidad de la batería del robot es baja durante la sesión de limpieza, el robot limpiador dejará de limpiar y empezará a buscar la base de carga para cargarse.

Cuando el robot limpiador termine la sesión de limpieza, pasará automáticamente al modo de recarga y empezará a buscar la base de carga para cargarse.

NOTA: Asegúrese de que los contactos de carga del robot y la base de carga no estén sucios. Limpie los contactos de carga si es necesario.

Si el robot no puede encenderse debido a la baja potencia, por favor, traslade manualmente el robot a la base de carga para cargarlo. Los contactos de carga deben estar alineados y el cepillo para limpieza de bordes no debe quedar atascado entre los contactos de carga.

Batería

Con el tiempo, la capacidad de la batería de su robot disminuirá y tendrá que ser reemplazada. Se puede comprar una batería de repuesto en un Servicio Técnico Oficial de Hoover. Solo use piezas de repuesto y accesorios genuinos de Hoover.

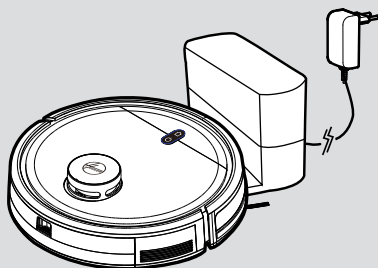


Fig. 1

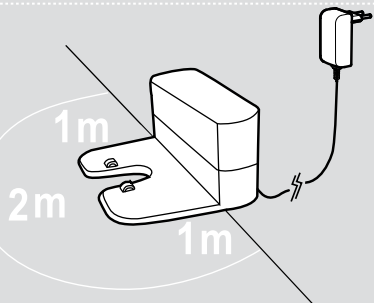


Fig. 2

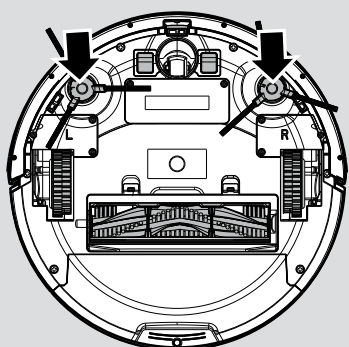


Fig. 3

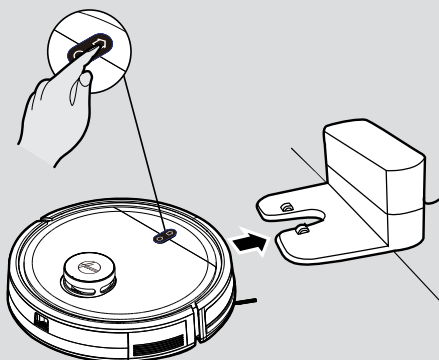


Fig. 4

USO DEL ROBOT

• Botón Home (Base de carga)

Pulsación corta: Recarga

Pulsación larga: Conexión de la App

Indicador luminoso:

Luz blanca intermitente: cargando

Luz blanca intermitente rápida: Conexión de la App

• Botón de On/Off

Pulsación larga: encendido (si el robot está apagado)

Pulsación larga: apagado (si el robot está encendido)

Pulsación corta: inicio/pausa (si el robot está en modo suspensión)

Indicador luminoso:

Luz azul intermitente: modo de espera

Luz azul siempre encendida: modo de funcionamiento

Luz azul apagada: modo suspensión

1. El proceso de funcionamiento del robot: modo suspensión > modo de espera > modo de funcionamiento

A. Modo suspensión: Cuando el robot esté en modo de espera y no haya estado funcionando durante 3 minutos, entrará automáticamente en el modo de suspensión. Cuando el robot está en modo de suspensión, la luz del botón está apagada y el robot está quieto.

B. Modo de espera: Cuando el robot está en modo de espera, la luz del botón parpadea en azul y el robot está quieto.

C. Modo de funcionamiento: Cuando el robot está funcionando, la luz del botón está siempre encendida en azul, y el robot está en sesión de limpieza.

2. Pausa

La pausa significa que el robot pasa del modo de funcionamiento al modo de espera. Puede accionarse pulsando el botón "on/off" del robot o a través de la aplicación móvil.

Atención [Fig. 5]

Si el robot está en modo de suspensión, pulse dos veces el botón "ON/OFF" del robot para que empiece a limpiar.

Si el robot no se utiliza durante mucho tiempo, pulse prolongadamente el botón "ON/OFF" para apagarlo. Cuando el robot sufra un accidente, pulse el botón de reinicio durante 2-3 segundos con una aguja de menos de 2 mm para apagarlo forzosamente.

DESCARGA DE LA APLICACIÓN Y CONÉCTALO A TRAVÉS DE WIFI [Fig. 6]

Para acceder a todas las funciones del robot desde cualquier lugar, se sugiere descargar la APP HG5. Podrá controlar el Robot a distancia de la forma más eficiente.

1. Para acceder a todas las funciones del robot desde cualquier lugar, se recomienda descargar la APP HG5.
2. Abra la APP, cree una cuenta con su correo electrónico y una contraseña. Confirme el Inicio de sesión.
3. Asegúrese de que su dispositivo móvil esté conectado a Wi-Fi.
4. Pulse "agregar dispositivo" en la APP, siga las instrucciones para completar el emparejamiento.

ADVERTENCIA

El nombre del WiFi no puede tener más de 32 caracteres.

Si la conexión falla, siga los pasos siguientes para comprobarlo:

- Asegúrese de haber introducido la contraseña correcta del router WIFI
- Asegúrese de configurar su red WiFi en 2.4GHz
- Asegúrese de que el robot no esté lejos del router.

CON LA APLICACIÓN HG5

Tras haber emparejado correctamente su robot, podrá crear el mapa de su casa. Esto le permitirá acceder a los ajustes totalmente personalizables y a los programas de limpieza de su robot.

Pulse el icono del robot para acceder a la página del mapa. Recuerde retirar cualquier obstáculo del suelo (cables, calcetines, zapatos) antes de encender el robot.

Pulse el botón de ENCENDIDO para que el robot comience a cartografiar su apartamento. Verá el mapa creándose en su página de inicio. Una vez que el robot haya escaneado todo su apartamento, verá el mapa completo en su teléfono. Puede dar un nombre a cada habitación, personalizarla y establecer un programa de limpieza específico (nivel de potencia de aspiración, nivel de fregado, frecuencia de limpieza, etc.).

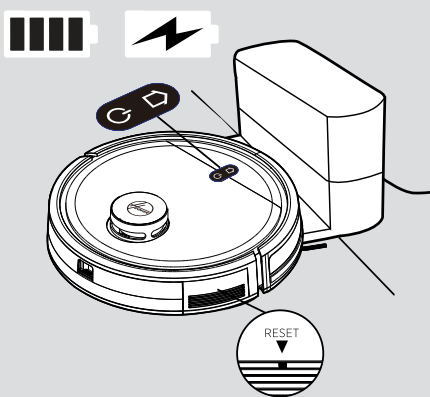


Fig. 5

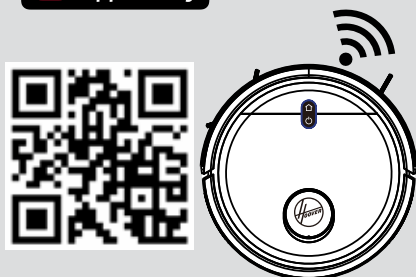


Fig. 6

- Tiempo de limpieza: indica la duración de la última sesión de limpieza
- Superficie limpiada: indica los metros cuadrados cubiertos por el robot durante la última sesión de limpieza
- Batería: nivel actual de la batería
- ENCENDIDO (🔌)

El robot inicia la limpieza siguiendo los ajustes de limpieza actuales.

- VOLVER A CARGAR (🔌)

El robot volverá a la base de carga.

* Todos los demás iconos se encenderán y estarán disponibles solo después de pulsar el icono de Encendido.

- IR AL LUGAR (📍)

Seleccione un lugar específico en el mapa, el robot se dirigirá allí y comenzará su sesión de limpieza siguiendo los ajustes de limpieza actuales.

- SELECCIONAR HABITACIÓN (🏠)

Seleccione una habitación específica en el mapa, el robot se dirigirá allí y comenzará su sesión de limpieza siguiendo los ajustes de limpieza de la habitación.

- SELECCIONAR ÁREA (📏)

Seleccione una zona específica en el mapa, el robot se dirigirá allí y comenzará su sesión de limpieza siguiendo los ajustes de limpieza actuales.

- ÁREAS PROHIBIDAS (🚫)

Defina una zona específica en la que el robot no podrá entrar. Puede definir áreas prohibidas para fregar, para aspirar o para ambas cosas.

- PERSONALIZAR (🔧)

Personalice las habitaciones en el mapa. Es posible fusionar o dividir diferentes habitaciones, reajustar completamente el mapa, cambiar el nombre de las habitaciones, establecer el horario de limpieza de cada habitación, establecer la secuencia de limpieza de las habitaciones.

- AJUSTES (⋮)

Lista completa de ajustes del robot

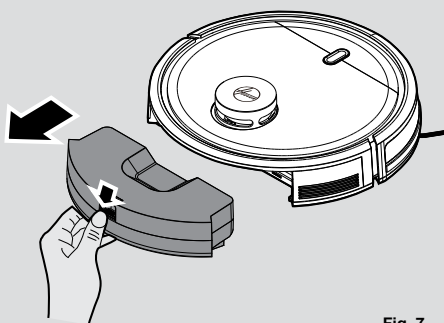


Fig. 7

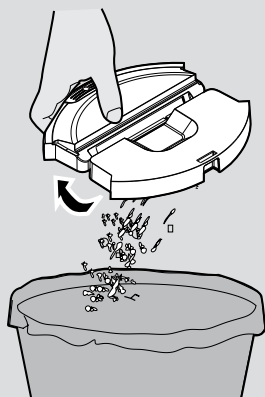


Fig. 8

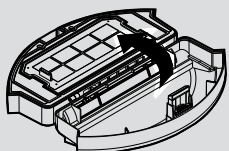


Fig. 9

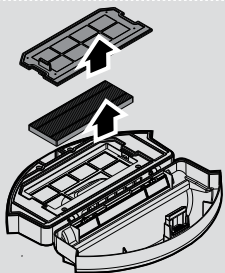


Fig. 10

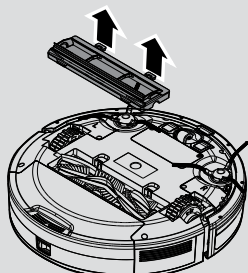


Fig. 11

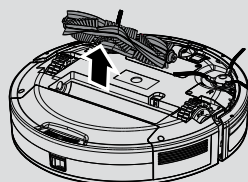


Fig. 12

MANTENIMIENTO DEL ROBOT

VACIADO DEL DEPÓSITO

Antes de realizar todo tipo de labor de mantenimiento, cerciéndose de apagar el aparato.

1. Apague el Robot y quítelo de la base de carga.
2. Utilice un paño seco para limpiar todas las superficies. NO permita la entrada de agua en ningún componente del producto mientras se está limpiando.

Después de aspirar, retire el depósito de polvo.

1. Presione el botón de liberación y sáquelo. **[Fig. 7]**
2. Vacíe el depósito en el cubo de la basura. **[Fig. 8]**
3. Utilice el cepillo de limpieza cuando sea necesario para eliminar el exceso de polvo de la superficie interna o de la superficie de la boquilla
4. Vuelva a colocar el contenedor de polvo en el robot

LIMPIEZA DE FILTROS

El robot está equipado con un filtro premotor. Para mantener un rendimiento de limpieza óptimo, limpie regularmente la cubierta del filtro y el filtro premotor. Deben limpiarse cada 5 veces que se vacía el contenedor de suciedad y no deben lavarse.

1. Después de aspirar, retire el depósito de polvo, pulse el botón de liberación y tire de él. **[Fig. 7]**
2. Vaciar el contenedor de polvo. **[Fig. 8]** Abra el depósito de polvo, retire la malla filtrante con el filtro juntos, luego retire el filtro EPA de la malla filtrante y límpielos por separado. El montaje se realiza en orden inverso, asegúrese de que el filtro está montado correctamente. **[Fig. 9,10]**

IMPORTANTE: Controle periódicamente y mantenga la integridad de los filtros siguiendo las instrucciones de mantenimiento de los filtros que aparecen a continuación. Esto mantendrá el máximo rendimiento de limpieza.

Si la malla filtrante y el filtro están dañados, deben retirarse inmediatamente y sustituirse oportunamente para evitar daños en el motor de aspiración.

Limpieza del rodillo

Limpie el rodillo con regularidad para asegurar un máximo rendimiento de limpieza.

1. Apague el Robot y vuélquelo.
2. Presione las pinzas ubicadas en la base y extraiga la cubierta del rodillo. **[Fig. 11]**
3. Levante el agitador agarrando uno de sus extremos. **[Fig. 12]**
4. Utilice el cepillo de limpieza para eliminar cualquier enredo del agitador y la suciedad de las cerdas. No pierda el manguito de goma del rodamiento de bolas.
5. Después de la limpieza, vuelva a colocar el agitador y la tapa del agitador en el robot.

Atención: Todas las tareas de mantenimiento deben realizarse después de extraer el contenedor de polvo, para evitar que la suciedad del contenedor se vierta accidentalmente.

LIMPIEZA DE LOS CEPILLOS LATERALES

Cuando los cepillos de los bordes se ensucian, límpielos con agua limpia y séquelos antes de utilizarlos; si el cepillo de los bordes está dañado y no puede funcionar con normalidad, sustitúyalo.

Atención

Cuando sustituya los cepillos de limpieza de bordes, haga coincidir las marcas "L" y "R" del cepillo con las "L" y "R" de la parte inferior del robot.

LIMPIEZA DE LAS RUEDAS PROPULSORAS [Fig. 13]

1. Apague el Robot y póngalo boca a abajo.
2. Elimine cualquier suciedad o pelo atrapado en las ruedas.
3. Limpie las ruedas con un paño seco.

LIMPIEZA DE LALENTE DEL SENSOR ANTICAÍDA [Fig. 14]

Para mantener el funcionamiento seguro de su robot es importante mantener limpios los sensores anticaída.

Hay 3 sensores situados en la parte de abajo del robot. Ponga el robot boca abajo y límpielos con paño seco para eliminar cualquier acumulación de polvo, suciedad o residuos.

REEMPLAZO DE LAS BATERÍAS [Fig. 15]

1. Utilice un destornillador para quitar los tornillos de la tapa de la batería situada en la parte inferior del robot;
2. Extraiga la cubierta de la batería.
3. Desconecte el conector y extraiga la batería del compartimento;
4. Coloque la pila nueva en el compartimento y vuelva a conectarla al conector. Preste atención a la correcta alineación del conector y del cableado. Vuelva a colocar la tapa de la batería y ciérrela con los tornillos.
5. Enciéndalo para comprobar si es normal.

Atención

Por favor, recicle las pilas sustituidas de forma respetuosa con el medio ambiente para evitar la contaminación.

NOTA IMPORTANTE

Utilice únicamente piezas de repuesto aprobadas en su robot.

El uso de piezas no homologadas por Hoover es peligroso e invalidará su garantía.

Si no se va a utilizar el robot durante varios meses, retire las baterías y almacénelo en un lugar fresco y seco.

IMPORTANTE: Asegúrese siempre de que el aparato esté desconectado antes de efectuar las operaciones de mantenimiento. Siempre use dos manos para levantar y trasladar, y asegúrese de que el robot se mantenga nivelado. [Fig. 16]

Cuando levante el robot limpiador, asegúrese de no agarrar el compartimento del polvo para evitar aperturas accidentales. [Fig. 17]

Debe evitar usar su robot limpiador bajo la luz directa del sol o en superficies oscuras y pulidas, porque estas condiciones afectan negativamente al comportamiento del robot.

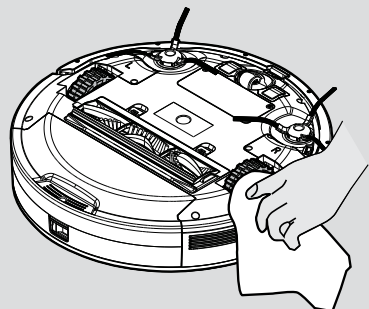


Fig. 13

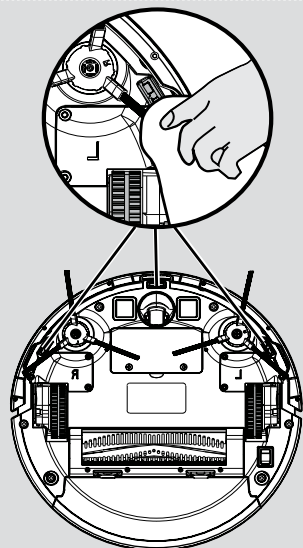


Fig. 14

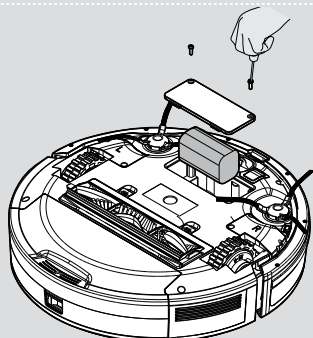


Fig. 15

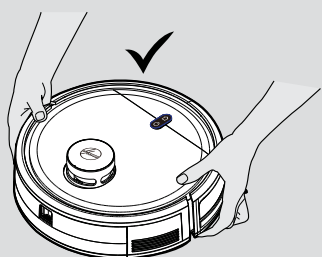


Fig. 16

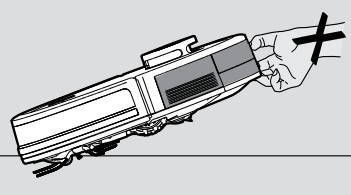


Fig. 17

SOLUCIÓN DE PROBLEMAS

Si tiene algún problema con su robot, siga esta simple lista de verificación antes de llamar al Servicio Técnico de Hoover.

• El robot no funciona cuando está encendido

Indicador luminoso de los botones ON/OFF y Home	Acciones
Blanco y azul intermitente	Compruebe que los cepillos de limpieza de bordes estén limpios y colocados correctamente
	Compruebe que el agitador está limpio y correctamente colocado
Blanco encendido	Compruebe si el contenedor de polvo está insertado correctamente
Luces blancas y azul claro intermitentes	Compruebe que las ruedas motrices están limpias y funcionan
Luces azul y azul claro intermitentes	Compruebe que los sensores anticaída y el parachoque frontal están limpios y funcionan
Blanco intermitente	Compruebe que la torre Lidar funciona

• El robot no se recarga automáticamente

Asegúrese de que no hay barreras entre el robot y la base de carga, ni objetos en la zona alrededor de la base de carga en 2 metros por delante y 1 metro a cada lado.

• El robot está atrapado

El robot intentará liberarse por sí mismo, pero en algunos casos hay que prestarle asistencia manual.

• El robot es muy ruidoso durante la limpieza

Limpie el depósito de polvo y el filtro, limpie y revise el agitador y las ruedas motrices.

• La potencia de limpieza es baja

Limpie el depósito de polvo y el filtro, limpie y revise el agitador y las ruedas motrices.

INFORMACIÓN IMPORTANTE

Piezas de repuesto y consumibles de Hoover

Utilice siempre piezas de repuesto originales de Hoover. Puede adquirirlas a través de su Servicio Técnico Oficial de Hoover. Cuando realice pedidos de piezas, indique siempre el número de serie del producto.

CALIDAD

Las fábricas de Hoover han sido sometidas a inspecciones de calidad independientes. Nuestros productos se fabrican de conformidad con un sistema de calidad que cumple los requisitos de la norma ISO 9001.

SU GARANTÍA

Las condiciones de garantía para este aparato vienen definidas por nuestro representante en el país de venta. Puede obtener los detalles acerca de estas condiciones en el establecimiento donde haya comprado este aparato. Debe mostrarse la factura de compra o el ticket al hacer alguna reclamación en virtud de las condiciones de garantía.

Sujeto a cambios sin previo aviso.

INSTRUKTIONER FOR SIKKER ANVENDELSE

Denne støvsuger må kun anvendes til almindelig husholdningsrengøring, som beskrevet i brugsanvisningen. Du bør sikre dig, at du har forstået indholdet af denne brugervejledning fuldt ud, inden apparatet tages i brug.

Inden du rengør eller foretager nogen som helst vedligeholdelse af apparatet, skal du altid slukke for det og tage stikket ud af stikkontakten.

Dette udstyr kan anvendes af børn, der er 8 år gamle og derover, og af personer med nedsatte fysiske, sensoriske eller mentale evner eller manglende erfaring og viden, hvis de er under opsyn eller vejledning i at bruge udstyret på en sikker måde og forstår de risici, der er involveret. Børn må ikke lege med udstyret. Rengøring og vedligeholdelse må ikke udføres af børn uden en voksen tilstede.

Hvis netledningen er ødelagt, skal du stoppe med at bruge støvsugeren øjeblikkeligt. For at undgå en sikkerhedsrisiko skal en autoriseret Hoover-servicetekniker udskifte strømledningen.

Hvis området, der skal rengøres, har en balkon eller trappetrin, skal en fysisk barriere anvendes for at spærre for adgangen til balkonen eller trappetrinene og sikre en sikker anvendelse. Små børn og kæledyr må overvåges mens robotten gør rent.

Robotstøvsugeren skal opbevares indendørs. **Må ikke bruges** udendørs eller udsættes for de fire elementer, fugtige omgivelser eller varmekilder (ovn, kamin, vådt gulv).

Robot og tilbehør **må ikke udsættes** for ekstrem varme/kulde (hold temperaturen mellem 0-30° C). Pas på ikke at tabe robotten. Der **må ikke bruges** tilbehør, som er blevet tabt, ødelagt, efterladt udendørs eller tabt i vand.

Tag eller træk **aldrig** netspændingsadapteren ud ved hjælp af strømledningen.

Må ikke bruges til rengøring af trapper.

Batteriskift

Brug kun den originale oplader, der blev leveret sammen med apparatet.

Sørg for at stømmen i dit forsyningsnet er den samme som anført på opladeren.

Oplad aldrig batterierne ved over 30°C eller under 0°C.

Sæt den medfølgende oplader ind i en stikkontakt, der passer.

Læk fra battericeller kan ske under ekstremt brug eller temperaturforhold. Hvis væsken kommer på huden, vask da hurtigt med vand. Hvis væsken kommer i øjnene, skyl dem øjeblikkeligt med rent vand i mindst 10 minutter. Søg læge.

Det er normalt for opladeren at blive varm at røre ved under opladning.

Anvend kun tilbehør, udstyr og reservedele leveret af Hoover.

Undlad at suge hårde eller skarpe genstande, tændstikker, varm aske, cigaretstumper eller andre lignende genstande op.

Undlad at sprøjte med eller opsuge brændbare væsker, rensesvæsker, spraydåser eller spray fra disse.

Lad være med at fortsætte at bruge apparatet, hvis det eller opladeren ser ud til at være defekt.

Hoover service: For at sikre løbende sikker og effektiv drift af denne støvsuger, anbefaler vi, at eftersyn eller reparationer udelukkende udføres af en autoriseret Hoover-servicetekniker.

Undlad at bruge apparatet til at rengøre mennesker eller dyr.

Udskift ikke robot batterierne med ikke-opladelige batterier.

Hvis robotten ikke anvendes igennem længere tid (flere uger), skal netværksadapteren afbrydes manuelt

Fjernelse af udslidte batterier

Hvis dit apparat skal kasseres, skal batterierne fjernes inden. Apparatet skal afbrydes fra lysnettet, når batteriet fjernes. Bortskaf batterierne på en sikker måde. Tænd apparatet, indtil det stopper, fordi batterierne er helt afladet. Brugte batterier skal afleveres på en genbrugsstation og ikke smides ud sammen med husholdningsaffald. Hvis batterierne skal fjernes, bedes du kontakte Hoover-kundeservice eller handle i henhold til følgende anvisninger.

Frakobl opladeren og sluk din robot. Vend robotten om og sæt den på en plan overflade. Fjern skruerne og batterirummets dæksel. Fjern batteripakken.

BEMÆRK: Hvis du får problemer med at afmontere enheden eller ønsker mere detaljerede oplysninger om behandling, genanvendelse og genbrug af dette produkt, bedes du kontakte kommunen eller skraldeselskabet.

VIGTIGE OPLYSNINGER FØR BRUG

Læs følgende oplysninger omhyggeligt, før du tager robotten eller dens tilbehør i brug.

Robotten må ikke afmonteres, og du må ikke forsøge at reparere den selv. Hvis der opstår en fejl, skal du kontakte Hoovers kundeservice for professionel rådgivning.

Trapper: Robotten bruger sensorer for at undgå at falde over trin, ned ad trapper eller over en kant. I visse situationer kan sensorer opfange forkerte signaler.

Robotten kan ikke detektere dørtrin, som er mindre end 8 cm høje. Dørtrin, som er mindre end 8 cm, kan medføre, at robotten falder ned. Hvis tilgængelig, kan der angives No-go områder eller virtuelle vægge via appen, for at beskytte din robot mod fald.

Meget reflekterende eller meget mørke overflader, som anvendes på nogle dørtrin eller trapper, som f.eks. glas eller poleret keramik, kan medføre, at robotten falder ned. Hvis tilgængelig, angives der No-go områder eller virtuelle vægge via appen, eller der placeres et tæppe på det nederste trin, for at beskytte din robot mod fald.

Brug af robotten på en mezzanin, et repos eller hævede områder uden kanter bør undgås. Hvis tilgængelig, angives der No-go områder eller virtuelle vægge via appen, for at forhindre din robot i at komme ind i disse områder.

Anvendte batterier: Din robot drives af genopladelige, højkapacitets lithium ion-batterier. Disse genopladelige batterier garanteres i en periode på 6 måneder, hvis de opbevares og bruges i henhold til det, der er angivet i denne brugervejledning.

Hvis der sker et betydeligt fald i ydeevnen for din robot, kan du få nye batterier hos din Hoover-forhandler.

Brug kun reservedele, der er godkendt af Hoover, til din robot. Brug af dele, som ikke er godkendt af Hoover, er farligt og gør din garanti ugyldig.

Anvend kun den medfølgende opladningsstation og strømadapter til at genoplade din robot. Brug af en forkert ladestation eller netspændingsadapter er farligt og gør din garanti ugyldig.

Frekvensbånd	2412 MHz to 2472 MHz
Maksimal RF strøm i frekvensbåndet	802.11 b: +15.95 dBm 802.11 g: +14.91 dBm 802.11 n20: +13.78 dBm

Miljøet

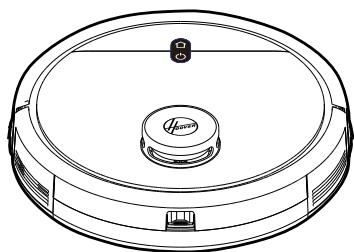
Symbolet på produktet angiver, at produktet ikke må behandles som husholdningsaffald. Det skal i stedet afleveres til en relevant affaldsstation for genbrug af elektrisk og elektronisk udstyr. Bortskaffelse skal ske i overensstemmelse med de lokale miljøregler vedrørende bortskaffelse af affald. For mere detaljeret information om behandling, genvinding og genbrug af dette produkt, henvend dig da til den lokale kommune, til dit affaldsselskab eller den forretning, hvor du købte produktet.



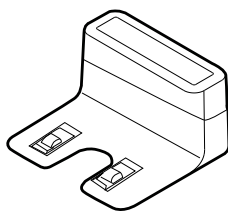
Dette apparat overholder bestemmelserne i EU-direktiverne 2014/53/EU, 2014/30/EU og 2011/65/EU. For at modtage en kopi af overensstemmelseserklæringen, skal du kontakte producenten via hjemmesiden: www.candy-group.com

CANDY HOOVER GROUP Srl Via Privata Eden Fumagalli, 20861 Brugherio (MB) Italy

KASSENS INDHOLD



Robotstøvsuger



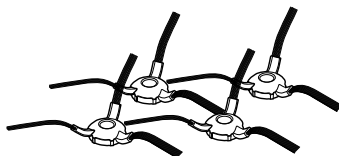
Ladestation



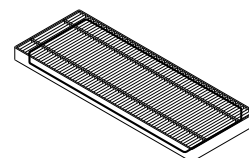
Brugervejledning



Netspændingsadapter



X4 kant rengøringsbørste

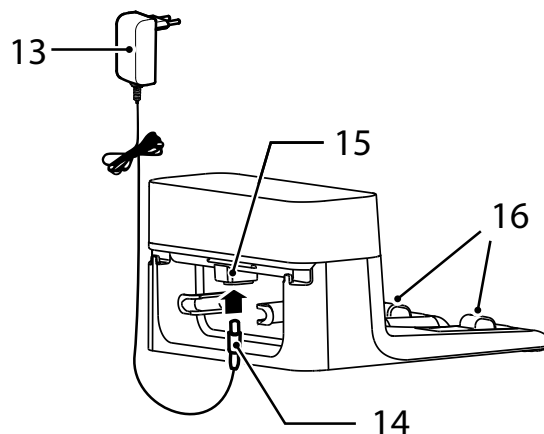
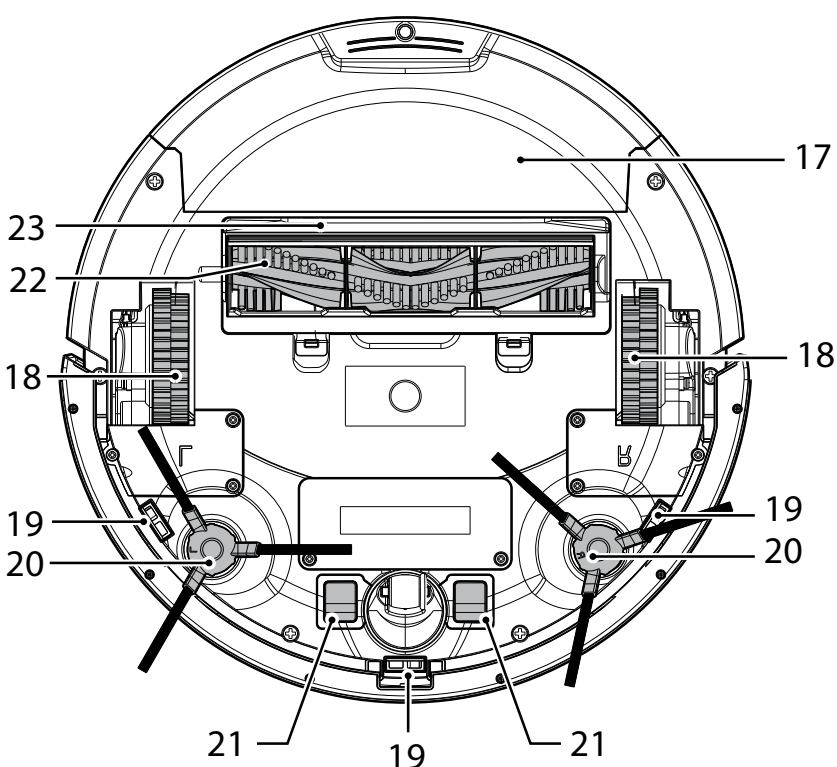
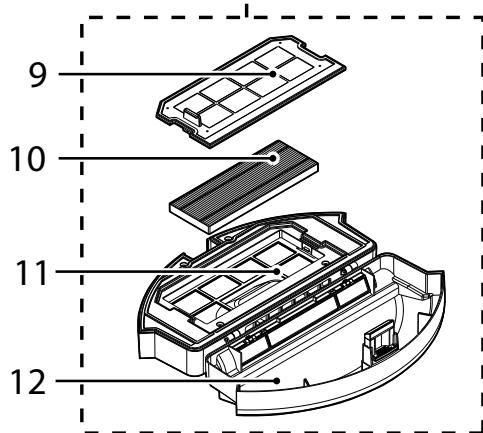
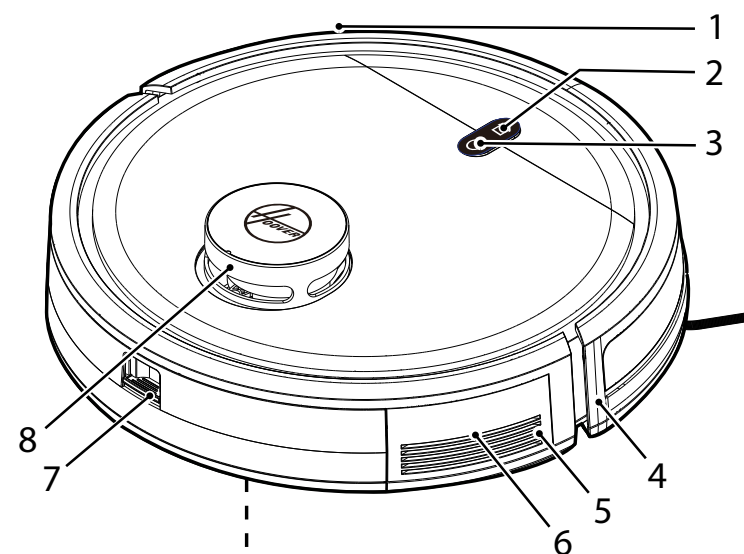


Ekstra filter til robot



Rengøringsbørste

LÆR DIN ROBOT AT KENDE



1	Forreste skærm
2	HOME (ladestation) knap
3	Tænd/sluk strømknap
4	Frontsignalmodtager
5	Højtaler
6	Nulstil-knap (rød knap)
7	Udløsningsknap til støvbeholder
8	Lidar-tårn
9	Filtnet
10	EPA-filter
11	Topdæksel på støvbeholder
12	Bunddæksel på støvbeholder

13	Netspændingsadapter
14	Vægstikkontakt
15	DC stik, opladningsbase
16	Opladningskontakter

17	Støvbeholder
18	Kørehjul
19	Anti-fald sensor
20	Kant rengøringsbørste
21	Robot opladningskontakter
22	Forhjul
23	Topdæksel på rullebørste

KLARGØR DIN ROBOT STØVSUGER

EMBALLAGE

Smid ikke din Robot indpakning væk. I fremtiden kan gyldigheden af din garanti måske være påkrævet. Når du pakker din Robot og tilbehøret ud, skal du holde plasticposerne væk fra babyer, småbørn og dyr for at forhindre, at de evt. bliver kvalt.

Før den første anvendelse skal din støvsuger oplades 4-6 timer. **[Fig. 1]**

Udsæt ikke netspændingsadapteren til robotten for temperaturer under 0°C eller over 30°C, da det kan ødelægge batteriet.

Netspændingsadapteren må kun tilsluttes en standardstikkontakt.

BATTERI

For en optimal batterikapacitet anbefales det, at du holder dine robot batterier fuldt opladet.

Når robotten ikke er i drift, skal den efterlades tilsluttet til ladestationen. Robotten har et intelligent opladningssystem, dette forhindrer batterierne i at blive overopladet.

Sørg for, at alle personer i rummet er advaret om, at robotten kører for at forhindre en ulykke.

FORBERED DIT HJEM

Før anvendelse, skal du fjerne objekter der kan komme i vejen for robotten. Vær opmærksom på:

- Genstande, som let kan vælte.
- Kanterne på gulvtæpper eller løse tæpper, som kan hænge fast.
- Længden på gardiner og duge.
- Varmekilder eller brændbare ting.
- Netledninger og kabler.
- Skrøbelige genstande.

OPSÆTNING AF LADESTATION

1. Sæt netspændingsadapteren i kontakten, og tilslut den til ladestationen. **[Fig. 2]**

2. Sørg for, at netledningen ikke hænger fast under ladestationen.

3. Anbring ladestationen på et ikke reflekterende, nivelleret gulv, helst op ad en væg. Hvis gulvets overflade er meget reflekterende, vil det påvirke robotens navigationssystem, og det kan derfor være vanskeligt for robotten at finde ladestationen.

4. Der må ikke være genstande i området omkring ladestationen i en afstand på 2 meter foran og 1 meter til hver side. **[Fig. 2]**

5. Sørg for, at netledningen ikke bliver sammenfiltret eller strakt. Hvis der er for meget ledning, skal du bruge ledningsstrippen for at folde den pænt sammen.

6. Kontrollér, at støvbeholderen er indsat korrekt i robotten

7. Tryk de to kantrengøringsbørster ned på beslagene, indtil de klikker på plads. Vær opmærksom på lokationen af L og R på enheden, samt på børsterne. **[Fig. 3]**

8. Fjern svampene fra robotstøvsugeren. Til at begynde med, føres robotten ind i ladestationen. Under normalt brug vil det tage cirka 4/5 timer at gennemføre en fuld opladning.

OPLADNING AF BATTERIET **[Fig. 4]**

Et langt tryk på TÆND/SLUK-knappen på robotten i 3 til 5 sekunder, vil tænde for robotten, hvorefter den placeres foran ladestationen.

Tryk på home (ladestation) knappen på robotten, for at sikre, at den flytter sig til ladestationen.

For en optimal batterikapacitet anbefales det, at du holder dine robotbatterier fuldt opladet.

Når batteriet oplades vil TÆND/SLUK-knappen og home (ladestation) knappen blinke hvidt.

Når batteriet er fuldt opladet, vil lyset være slukket.

Automatisk opladning

Hvis robotens batterikapacitet er lav under rengøringen, vil robotstøvsugeren stoppe rengøringen og begynde at lede efter ladestationen, så den kan oplade.

Når robotstøvsugeren afslutter rengøringen, vil den automatisk skifte til genopladningstilstand, og begynde at lede efter ladestationen, så den kan oplade.

BEMÆRK: Sørg for, at opladningskontakterne på robotten og ladestationen ikke er beskidte. Rengør ladekontakterne hvis nødvendigt.

Hvis robotten ikke kan tændes på grund af lav strøm, skal du manuelt flytte robotten til ladestationen, så den kan oplade. Ladekontakterne skal flugte, og kantrengøringsbørsten må ikke sidde fast mellem ladekontakterne.

Batteri

I løbet af tiden vil kapaciteten af batteriet på din robot blive forringet, og det skal derfor udskiftes. Et nyt batteri kan købes fra en godkendt Hoover forhandler. Anvend kun originale Hoover-reservedele og -tilbehør.

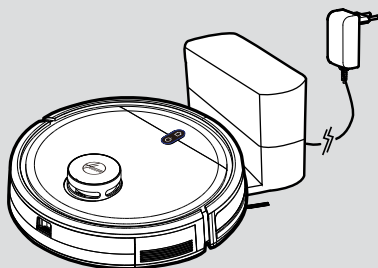


Fig. 1

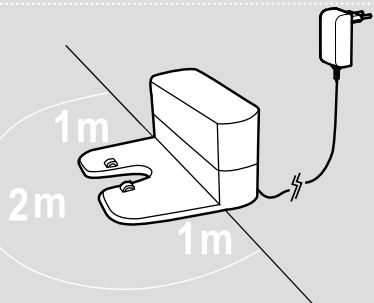


Fig. 2

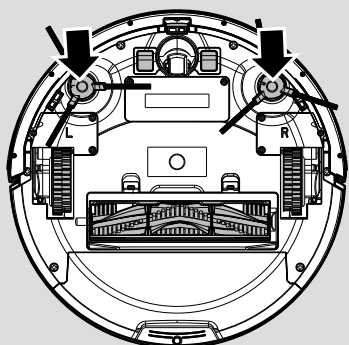


Fig. 3

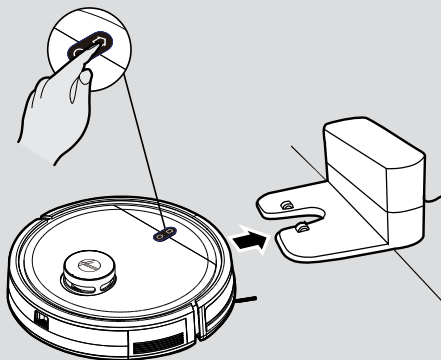


Fig. 4

BRUG AF DIN ROBOT STØVSUGER

• Home (ladestation) knap

Kort tryk: Genoplad
Langt tryk: App-forbindelse

Lysindikator:

Blinkende hvidt lys: oplader
Hurtigt blinkende hvidt lys: App-forbindelse

• Tænd/sluk strømknop

Langt tryk: strøm til (hvis robotten er slukket)
Langt tryk: strøm fra (hvis robotten er tændt)
Kort tryk: start/pause (hvis robotten er i dvaletilstand)

Lysindikator:

Blinkende blå lys: standby-tilstand
Blåt lys er altid tændt: driftstilstand
Blåt lys slukket: dvaletilstand

1. Robottens driftsproces: dvaletilstand > standby-tilstand > driftstilstand

A. Dvaletilstand: Når robotten er i standby-tilstand, og ikke har arbejdet i 3 minutter, vil den automatisk tilgå dvaletilstand. Når robotten er i dvaletilstand, vil lyset på knappen være slukket, og robotten står stille.

B. Standby-tilstand: Når robotten er i standby-tilstand, vil lyset på knappen blinke blå, og robotten står stille.

C. Driftstilstand: Når robotten rengører, vil knappen altid lyse blå, og robotten er i en rengørings-session.

2. Pause

Pause betyder, at robotten er skiftet fra driftstilstand til standby-tilstand. Dette kan ændres ved at trykke på "tænd/sluk"-knappen på robotten, eller via mobilappen.

Pas på! [Fig. 5]

Hvis robotten er i dvaletilstand, skal der trykkes to gange på "TÆND/SLUK"-knappen, for at robotten begynder at rengøre.

Hvis robotten ikke anvendes i længere tid, vil et langt tryk på "TÆND/SLUK"-knappen slukke for robotten. Hvis robotten har et uheld, skal der trykkes på nulstil-knappen på hornet i 2-3 sekunder med en nål som er mindre end 2 mm, for at tvinge robotten til at slukke.

DOWNLOAD AF APPEN OG TILSLUTNING VIA WI-FI [Fig. 6]

Download HG5 APP for at få adgang til alle robottens funktioner, fra hvor som helst. Du kan styre robotten på den mest effektive måde.

1. Download "HG5" APP fra din App Store, Google Play eller APP Gallery.
2. Åbn APP'en, opret en konto med din e-mail og en adgangskode. Bekræft login.
3. Sørg for, at din mobile enhed er forbundet til WiFi-netværket.
4. Klik på "tilføj enhed" på APP'en, og følg instruktionerne for at gennemføre parringen.

Advarsel

Wi-Fi navnet må ikke have mere en 32 tegn.

Hvis forbindelsen mislykkedes, skal du følge de nedenstående trin for at kontrollere:

- Sørg for at have indtastet den rigtige adgangskode til WI-FI-routeren
- Sørg for, at dit WiFi-netværk er indstillet til 2.4GHz
- Sørg for, at robotten ikke er for langt væk fra routeren.

MED HG5 APP

Efter at have parret din robot, kan du oprette et kort over dit hjem. Dermed vil du få adgang til fuldt ud skræddersyede indstillinger og rengøringsplaner for din robot.

Klik på robot-ikonet for at tilgå kortsiden. Husk, at fjerne forhindringer på gulvet (kabler, sokker, sko) før du tænder for robotten.

Klik på knappen TÆND, for at lade robotten begynde kortlægningen af dit hjem. Du kan se oprettelsen af kortet på din side. Når robotten har scannet dit hjem, kan du se et komplet kort på din telefon. Du kan tildele et navn til hvert rum, skræddersy det og opsætte en dedikeret rengøringsplan (sugeniveau, vaskeniveau, rengøringsfrekvens osv.).

- Rengørings-tid: indikerer varigheden af den seneste rengørings-session
- Rengjort område: indikerer det kvadratmeter der er dækket af robotten under den seneste rengørings-session
- Batteri: nuværende batteriniveau

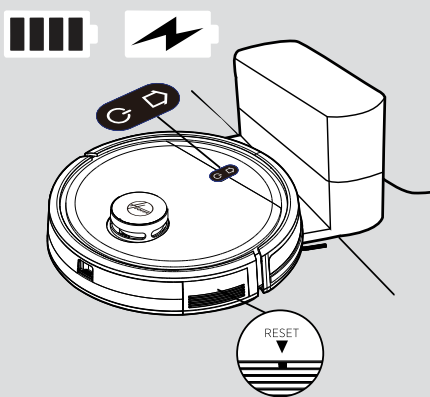


Fig. 5

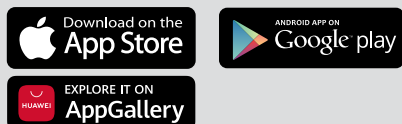


Fig. 6

- TÆND FOR STRØMMEN (⚡)

Robotten begynder at rengøre i henhold til de nuværende rengøringsindstillinger.

- TILBAGE TIL OPLADNING (🔌)

Robotten vil returnere til ladestationen.

* Alle andre ikoner tændes, og vil kun være tilgængelige efter der klikkes på Tænd-ikonet.

- GÅ TIL PLACERING (📍)

Vælg en specifik placering på kortet, hvorefter robotten vil gå dertil og begynde dens rengørings-session, i henhold til de nuværende rengøringsindstillinger.

- VÆLG RUM (🏠)

Vælg et specifikt rum på kortet, hvorefter robotten vil gå dertil og begynde dens rengørings-session, i henhold til rummets rengøringsindstillinger.

- VÆLG OMRÅDE (🔍)

Vælg et specifikt område på kortet, hvorefter robotten vil gå dertil og begynde dens rengørings-session, i henhold til de nuværende rengøringsindstillinger.

- NO-GO OMRÅDER (🚫)

Definer et specifikt område hvor robotten ikke har tilladelse til at gå. Du kan definere no-go-områder for vask, støvsugning eller begge.

- SKRÆDDERSY (👔)

Skræddersy rummene på kortet. Det er muligt at samle eller adskille forskellige rum, nulstille kortet fuldt ud, omdøbe rummene, angive rengøringsplaner for hvert rum, angive rengøringssekvenser for rummene.

- INDSTILLINGER (...)

En fuld indstillingsliste for robotten

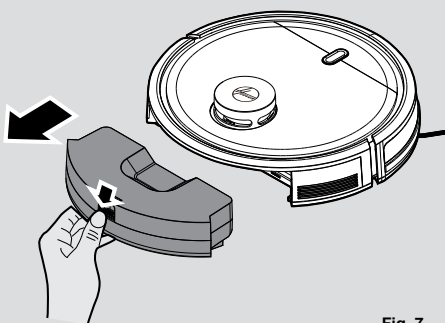


Fig. 7

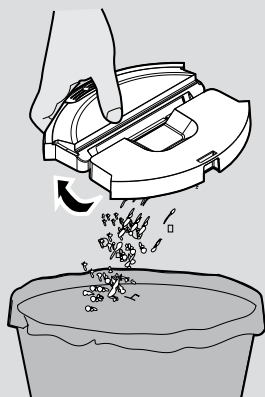


Fig. 8

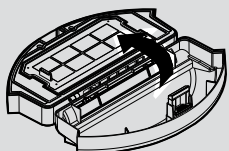


Fig. 9

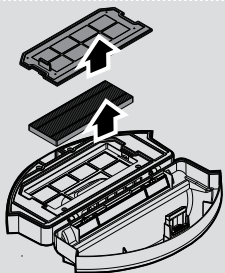


Fig. 10

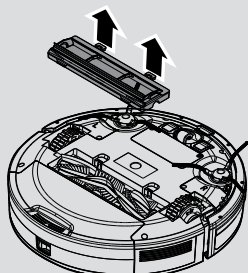


Fig. 11

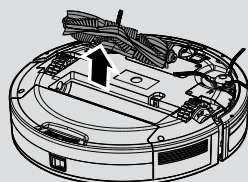


Fig. 12

SÅDAN VEDLIGEHOLDER DU DIN ROBOT STØVSUGER

Tømning af støvbeholderen

Inden du udfører vedligeholdelsesopgaver, skal du sikre, at Robot er slukket.

1. Sluk for robotten, og fjern den fra ladestationen.
2. Brug en tør klud til at rengøre alle overflader. Der må IKKE komme vand ind i noget af robotstøvsugerens dele under rengøring.

Efter støvsugning fjernes støvbeholderen.

1. Tryk på udløserknappen og træk den ud. [Fig. 7]
2. Tøm støvbeholderen over en affaldsspand. [Fig. 8]
3. Brug rengøringsbørsten hvor det er nødvendigt, for at fjerne ekstra støv fra de interne overflader på støvbeholderen, eller filter
4. Genmonter støvbeholderen i robotten

RENSNING AF FILTRENE

Robotten er udstyret med et præmotorfilter. For at opnå en optimal rengøringspræstation, skal du jævnligt rengøre filterdækslet og præmotorfilteret. De bør rengøres når støvbeholderen er blevet tømt 5 gange, og bør ikke vaskes.

1. Efter støvsugning fjernes støvbeholderen ved at trykke på udløserknappen, hvorefter den trækkes ud. [Fig. 7]
2. Tøm støvbeholderen. [Fig. 8] Åbn støvbeholderen, fjern filternettet sammen med filteret, og fjern derefter EPA-filteret fra filternettet, og rengør dem separat. Samlingen sker i modsatte rækkefølge, sørg for, at filteret samles korrekt. [Fig. 9,10]

VIGTIGT: Følg vedligeholdelsesinstruktionerne til filteret for regelmæssig kontrol og vedligeholdelse.

Dette vil bevare en maksimal rengøringsydeevne.

Hvis filternettet og filteret er beskadiget, bør de omgående fjernes og udskiftes, for at undgå skader på støvsugerens motor.

RENGØRING AF RULLEBØRSTERNE

Rens rullebørsterne jævnligt for at opretholde den maksimale rengøringsydeevne.

1. Sluk din robot og vend den om.
2. Tryk på klemmerne på bundpladen, og fjern rullebørsternes dæksel. [Fig. 11]
3. Løft rullebørsten op ved at gribe fat i den ene ende af rullebørsten. [Fig. 12]
4. Brug rengøringsbørsten til at fjerne eventuelle sammenfiltringer fra rullebørsten, og snavs fra børsterne. Du må ikke løsne gummimuffen på kuglelejet.
5. Efter rengøring placeres rullebørsten og rullebørstens dæksel på robotten igen.

Opmærksomheden: Alle vedligeholdelsesopgaver bør udføres efter støvbeholderen er taget ud, for at undgå, at snavs fra støvbeholderen tømmes ved et uheld.

RENGØRING AF KANTBØRSTERNE

Når kantbørsterne bliver beskidte, skal de rengøres med rent vand og tørres før brug. Hvis kantbørsten er beskadiget og ikke fungerer normalt, skal den udskiftes.

Pas på!

Når kantrengøringsbørsterne udskiftes, skal mærkerne "L" og "R" på børsten stemme overens med "L" og "R" på bunden af robotten.

RENGØRING AF DRIVHJULENE [Fig. 13]

1. Sluk din robot og vend den om.
2. Fjern evt. støv eller hår, som sidder fast i hjulene.
3. Rengør hjulene med en tør klud.

RENGØRING AF ANTI-FALD SENSORLINSERNE [Fig. 14]

For at bevare en sikker betjening af din robot, er det vigtigt at holde anti-fald sensorerne rene.

Der er 3 sensorer placeret på bunden af robotten. Vend robotten med bunden i vejret, og rengør dem med en tør klud for at fjerne enhver form for akkumuleret støv, snavs eller affald.

UDSKIFTNING AF BATTERI [Fig. 15]

1. Brug en skruetrækker til at fjerne skruerne fra batteridækslet på bunden af robotten;
2. Fjern batteridækslet.
3. Frakobl stikket og fjern batteriet fra rummet;
4. Placer det nye batteri i rummet, og gentilslut stikket. Vær opmærksom på en korrekt justering af stikket og ledningerne. Genmonter batteridækslet og luk det med skruerne.
5. Tænd for robotten, og kontrollér den fungerer korrekt.

Pas på!

Genbrug de udskiftede batterier på en miljøvenlig måde, for at undgå forurening.

VIGTIG BEMÆRKNING

Brug kun godkendte reservedele til din robot.

Dele, som ikke er godkendt af Hoover, er farlige og gør din garanti ugyldig.

Hvis robotten ikke anvendes i flere måneder, skal du fjerne batterierne og opbevare robotten et køligt og tørt sted.

VIGTIGT: Sørg altid for, at din enhed er slukket før vedligeholdelse. Brug altid to hænder når du løfter og bærer robotten, og sørg for, at robotten holdes nivelleret. [Fig. 16]

Når du løfter robotstøvsugeren skal du sikre dig, at du ikke griber fat i støvbeholderen, for at undgå en utilsigtet åbning. [Fig. 17]

Du bør undgå at bruge robotstøvsugeren i direkte sollys eller på mørke, polerede overflader, eftersom disse betingelser vil påvirke adfærden af din robot.

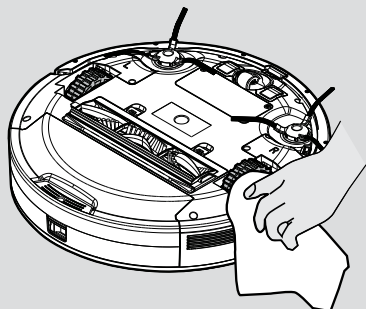


Fig. 13

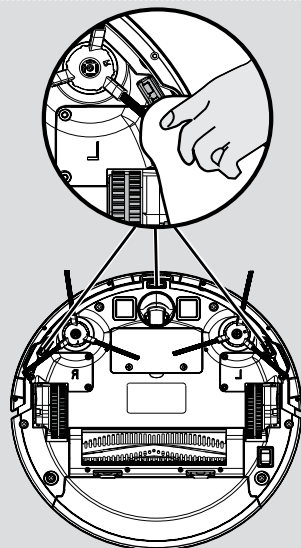


Fig. 14

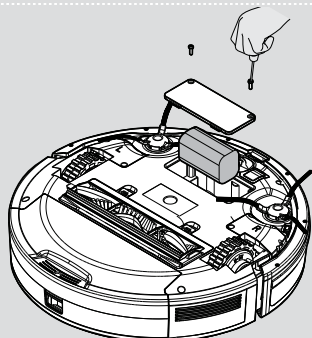


Fig. 15

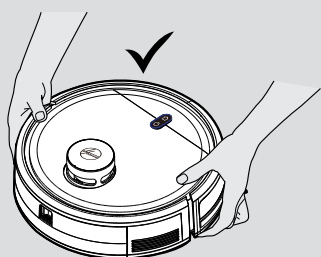


Fig. 16

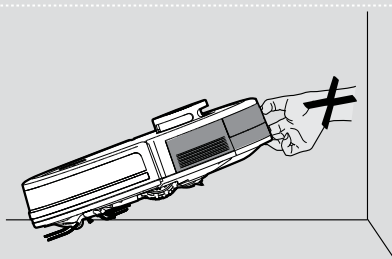


Fig. 17

FEJLFINDING

Hvis du har problemer med din robot, bedes du følge følgende enkle tjekliste, før du kontakter Hoover-kundeservicecenter.

• Robotten fungerer ikke når den tændes

Lysindikator på TÆND/SLUK og home-knapperne	Handlinger
Hvid og blå blinker	Kontrollér, at kantrengøringsbørsterne er rene og placeret korrekt
	Kontrollér, at rullebørsten er ren og placeret korrekt
Hvidt lys tændt	Kontrollér, at støvbeholderen er indsat korrekt
Hvidt og blåt lys blinker	Kontrollér, at kørehjulene er rene og fungerer korrekt
Blåt og lyseblåt lys blinker	Kontrollér, at anti-fald sensorer og frontskærmen er rene og fungerer korrekt
Hvidt lys blinker	Kontrollér, at lidar-tårnet fungerer

• Robotten genoplader ikke automatisk

Sørg for, at der ikke er nogen barrierer mellem robotten og ladestationen, og ikke er nogen forhindringer 2 meter foran ladestationen, og 1 meter på hver side.

• Robotten sidder fast

Robotten vil selv forsøge at komme fri, men i visse tilfælde skal du hjælpe robotten manuelt.

• Robotten støjer meget, mens den gør rent

Rengør støvbeholderen og filteret, rengør og kontrollér rullebørsten og kørehjulene.

• Rengøringskraften er svag

Rengør støvbeholderen og filteret, rengør og kontrollér rullebørsten og kørehjulene.

VIGTIGE OPLYSNINGER

Hoover Reservedele og Forbrugsstoffer

Udskift altid dele med ægte Hoover reservedele. Disse fås fra Hoovers reservedelsforhandler, tjek www.hoover.dk Når du bestiller dele, skal du altid opgive modelnummer.

Kvalitet

Hoovers fabrikker er blevet vurderet uafhængigt for kvalitet. Vores produkter fremstilles med brug af et kvalitetssystem, der opfylder kravene i henhold til ISO 9001.

Din Garanti

Garantibetingelserne for dette apparat er som defineret af vores repræsentant i det land, hvor det er solgt. Oplysninger vedrørende disse betingelser kan indhentes hos den forhandler, apparatet er købt hos. Kvitteringen skal fremvises i forbindelse med ethvert krav under disse garantibetingelser.

Ret til ændringer uden varsel forbeholdes

INSTRUKSJONER FOR SIKKER BRUK

Dette apparatet må kun brukes til husrengjøring, og slik denne bruksanvisningen beskriver. Sørg for at denne veiledningene er forstått fullstendig før du bruker apparatet.

Slå alltid av og koble laderen fra støpselet før enheten rengjøres eller vedlikeholdes.

Apparatet kan brukes av barn fra 8 år, og av personer med nedsatte fysiske, sanselige eller mentale evner, eller manglende erfaring og kunnskap, dersom de er under oppsyn eller har fått opplæring i sikker bruk av apparatet og forstår farene bruk av apparatet kan medføre. Barn skal ikke leke med apparatet. Rengjøring og vedlikehold skal ikke utføres av barn uten oppsyn.

Bruken av apparatet må opphøre umiddelbart dersom strømledningen er skadet. Av sikkerhetshensyn må en autorisert Hoover-tekniker erstatte strømledningen.

Dersom området som skal rengjøres består av en balkong eller trapper, må en fysisk barriere brukes for å unngå adgang til balkongen eller trappene, og sikre en trygg bruk. Små barn og husdyr må ha tilsyn når Roboten rengjør.

Apparatet må alltid lagres innendørs. Apparatet må ikke brukes utendørs eller utsettes for vær og vind, fuktighet eller varmekilder (komfyr, peis, vått gulv).

Ikke utsett Roboten eller ekstrautstyr for overdreven varme/kulde (holdes mellom 0-30°C).

Ikke mist Roboten på bakken, og bruk ikke ekstrautstyr som hatt blitt mistet på bakken, skadet, etterlatt utendørs eller mistet i vann.

Aldri koble fra eller trekk ut strømadapteret etter strømledningen.

Den må **ikke brukes** til å rengjøre trapper.

Batterilading

Bruk den opprinnelige laderen som fulgte med apparatet.

Kontroller at forsyningsspenningen er den samme som er angitt på laderen.

Skift aldri batterier i temperaturer over 30°C eller under 0°C.

Plugg laderen som fulgte med apparatet inn i et egnet støpsel.

Lekkasje fra batterier kan forekomme ved ekstrem bruk eller i ekstreme temperaturer. Vask hurtig dersom batterivæsken kommer i kontakt med hud. Dersom batterivæsken kommer i kontakt med øynene, skylle umiddelbart i rent vann i minst 10 minutter. Oppsøk legehjelp.

Det er vanlig at laderen er varm ved berøring under lading.

Bruk kun tilbehør, forbruksvarer eller reservedeler som anbefales eller leveres av Hoover.

Ikke samle opp harde eller spisse gjenstander, fyrstikker, varm aske, sigarettstumper og andre lignende gjenstander.

Ikke spray eller samle opp brennbare væsker, rengjøringsmidler, aerosoler eller damp fra slike væsker.

Ikke fortsett å bruke rengjøringsapparatet dersom det virker som om det er noe feil med det.

Hoover-service: For å sikre at apparatet fortsatt virker som det skal, og er trygt å bruke, anbefaler vi at all service og alle reparasjoner blir utført av en autorisert Hoover-tekniker.

Ikke bruk apparatet til å rengjøre dyr eller mennesker.

Ikke erstatt batteriene med ikke-oppladbare batterier.

Dersom Roboten ikke skal brukes for en lengre periode (flere uker), koble fra strømadapteret.

Fjerning av batteri

Hvis apparatet skal avhendes, bør batteriene fjernes først. Apparatet må være frakoblet strømmettet når du fjerner batteriet. Kast batteriene på en trygg måte. La apparatet gå til den stopper fordi batteriene er helt tømt. Brukte batterier bør leveres til en gjenbruksstasjon, og ikke kastes sammen med husholdningsavfall. For å fjerne batteriene, bør du kontakte Hoovers kundesenter, eller fortsette som anvist nedenfor:

Koble fra laderen og skru av Roboten. Kantre Roboten og plasser den på et jevnt underlag.

Fjern skruene og dekselet til batterirommet. Ta ut batteripakken.

MERK: Hvis du har vanskeligheter med å demontere enheten eller ønsker mer detaljert informasjon om behandling, gjenvinning og resirkulering av apparatet, ta kontakt med kommunen eller renovasjonsselskapet.

VIKTIGE TING Å MERKE SEG FØR BRUK

Vennligst les følgende informasjon grundig før du bruker Roboten din eller dens ekstrautstyr.

Ikke ta Roboten fra hverandre og ikke prøv å reparere den selv. Hvis en feil oppstår må du kontakte Hoovers avdeling for ettersalgsservice for profesjonell rådgivning.

Trapper: Roboten bruker sensorer for å unngå å falle ned trinn, trapper eller over en kant. I enkelte situasjoner kan sensorene bli forvirret. Roboten kan ikke oppdage trinn som er mindre enn 8 cm høye. Trinn som er mindre enn 8 cm kan føre til at Roboten faller ned. Hvis tilgjengelig, innstill Forbudte områder eller Virtuelle vegger i appen for å beskytte roboten mot velt.

Svært reflekseive eller veldig mørke overflater brukt på noen trinn eller trapper, slik som glass eller polert keramikk kan føre til at Roboten faller ned. Hvis tilgjengelig, innstill Forbudte områder eller Virtuelle vegger i appen, eller legg et teppe på det nederste trinnet for å beskytte roboten mot velt.

Bruk av Roboten på mesaniner, trappeavsatser eller hevede områder uten kanter bør unngås. Hvis tilgjengelig, innstill Forbudte områder eller Virtuelle vegger i appen for å hindre at roboten går inn i disse områdene.

Bruk av batteriet: Roboten din drives av oppladbare høykapasitets lithiumbatterier. Disse oppladbare batteriene leveres med en 6 måneders garanti dersom de vedlikeholdes og brukes som beskrevet i denne brukerhåndboken.

Dersom Roboten får en betydelig dårligere ytelse, kan utskiftnings-batterier fås kjøpt fra en butikk som fører Hoover.

Bruk kun Hoover-godkjente reservedeler for Roboten din. Bruk av deler som ikke er godkjent av Hoover er farlig og vil ugyldiggjøre garantien.

Bruk kun den tilhørende ladestasjonen og strømnettadapteren for å lade roboten din. Bruk av feil ladestasjon eller strømadapter medfører fare og vil oppheve garantien.

Frekvensbånd	2412 MHz to 2472 MHz
Maksimal RF-effekt som avgis i frekvensbåndet	802.11 b: +15.95 dBm 802.11 g: +14.91 dBm 802.11 n20: +13.78 dBm

Miljøet

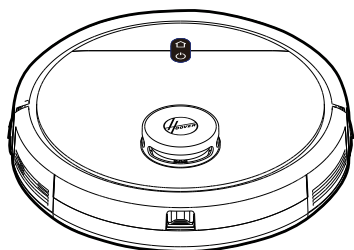
Symbolet på dette apparatet indikerer at det ikke kan betraktes som husholdningsavfall. Ved avhending må apparatet overleveres til en egnet miljøstasjon for resirkulering av elektrisk og elektronisk utstyr. Avhendingen må gjennomføres i samsvar med lokale miljøforskrifter for avfallshåndtering. Du kan få mer detaljert informasjon om avfallsbehandling, gjenvinning og resirkulering av dette apparatet ved å ta kontakt med vårt nærmeste lokalkontor, renovasjonsetaten eller forretningen du kjøpte apparatet hos.



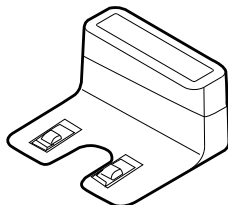
CE Dette apparatet er i overensstemmelse med EU-direktivene 2014/53/EU og 2011/65/EU. Hvis du vil ha en kopi av samsvarserklæringen, ber vi deg kontakte produsenten via nettstedet: www.candy-group.com

CANDY HOOVER GROUP Srl Via Privata Eden Fumagalli, 20861 Brugherio (MB) Italy

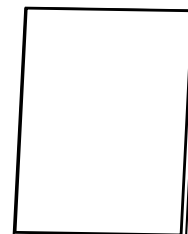
BOKSENS INNHOLD



Robot-rengjøringsapparat



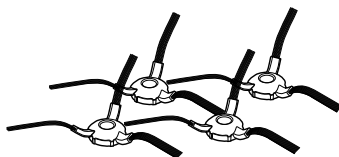
Ladestasjon



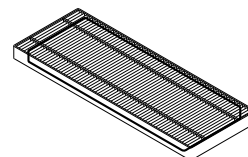
Brukerhåndbok



Strømadapter



X4 koster
for kantrengjøring

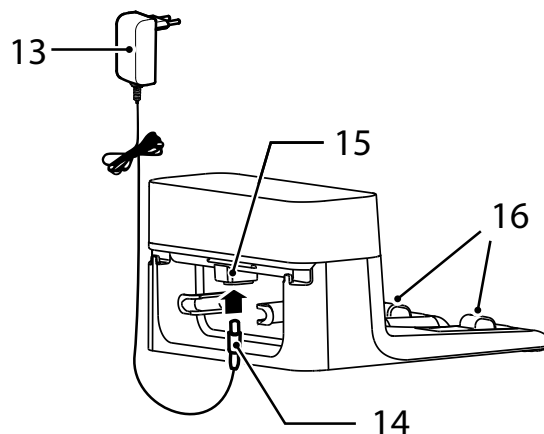
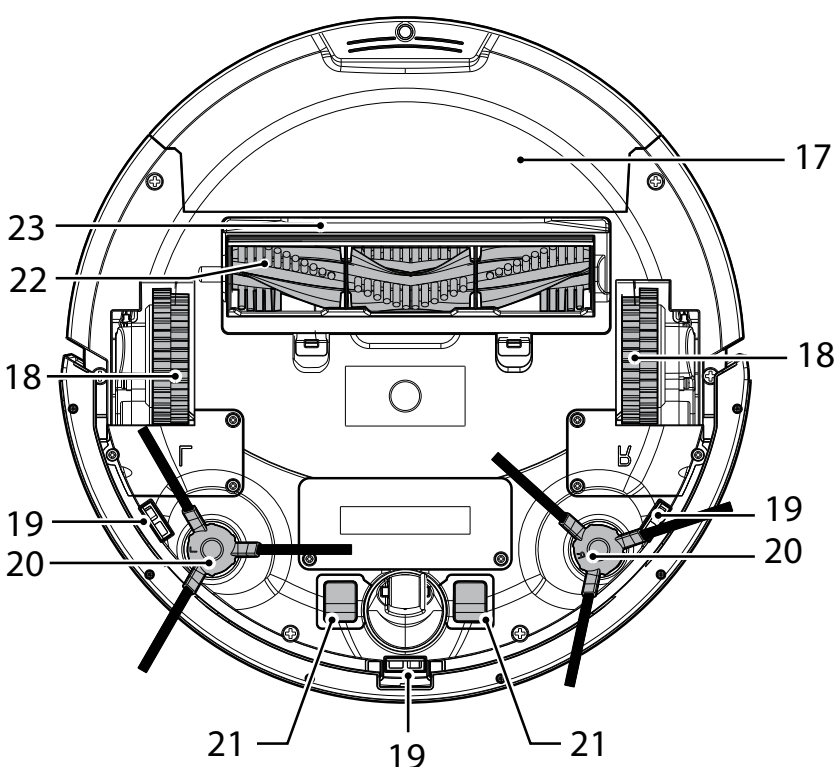
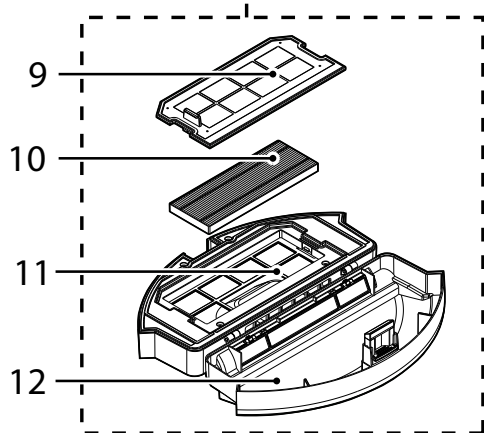
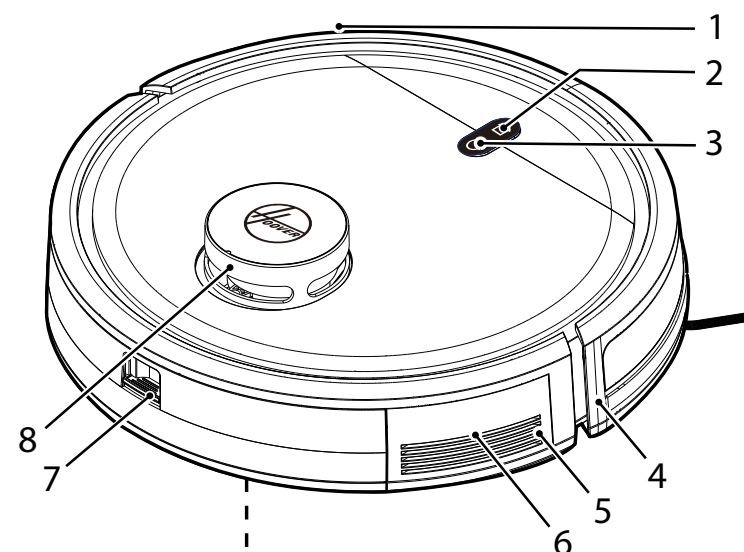


Ekstra Filter
for Robot



Rengjøringskost

BLI KJENT MED ROBOT-RENGJØRINGSAPPARATET DITT



1	Støtfanger foran
2	HOME (Ladestasjon)-knapp
3	På/av-knapp
4	Fremre signalmottaker
5	Høytaler
6	Tilbakestill-knapp (rød knapp)
7	Utløserknapp for støvbeholder
8	Lidar-tårn
9	Filtermaske
10	EPA-filter
11	Toppdeksel på støvbeholder
12	Bunndeksel på støvbeholder

13	Strømadapter
14	Strømforsyning
15	DC-jack, laderbase
16	Ladekontakter

17	Støvbeholder
18	Kjørehjul
19	Antifallsensor
20	Kantbørste
21	Ladekontakter for roboten
22	Agitator
23	Agitator toppdeksel

FORBERED ROBOT-RENGJØRINGSAPPARATET DITT

EMBALLASJE

Ikke kast Robotens emballasje. Det kan kreves for gyldigheten av garantien din i fremtiden. Når du pakker ut Roboten din og dens ekstrautstyr, sørg for å holde plastposer unna babyer, små barn og dyr for å unngå faren for kvelning.

La rengjøringsapparatet stå på lading i 4-6 timer før første gangs bruk. **[Fig. 1]**

Ikke utsett Robotens strømadapter for temperaturer under 0°C eller over 30°C da dette kan skade batteriet.

Strømadapteren må kun kobles til et vanlig strømuttak.

BATTERI

For optimal ytelse av batteriene anbefales det at du holder Robot sine batterier fulladede.

Når Roboten ikke er i bruk, skal den etterlates koblet til ladestasjonen. Roboten har et intelligent ladesystem. dette forhindrer at batteriene overopplades.

For å unngå ulykker, se til at enhver person i rommet er klar over robotens tilstedeværelse.

KLARGJØR HJEMMET DITT

Før bruk må du fjerne hindre som kan være i veien for roboten. Vær oppmerksom på:

- Objekter som enkelt kan slås over ende.
- Kanter på teller eller matter Roboten kan hekte seg fast i.
- Gardiner og duker som når ned til gulvet.
- Varmekilder eller brannfarlige gjenstander.
- Strømledninger og kabler.
- Skjøre objekter.

LADESTASJON SETUP

1. Plugg inn hovedadapteren og koble den til ladestasjonen. **[Fig. 2]**
2. Sørg for at strømledningen ikke kommer i press under ladestasjonen.
3. Plasser ladestasjonen på et ikke-reflekterende og jevnt underlag, helst opp mot veggen. Hvis gulvoverflaten er for reflekterende, vil det påvirke robotens navigasjonssystem, og den kan ha problemer med å finne ladestasjonen.
4. Ingen gjenstander bør befinne seg i et område på 2 m foran og 1 m på hver side av ladestasjonen.

[Fig. 2]

5. Sørg for at strømledningen ikke er sammenfiltret eller strukket. Hvis det er kabellengde til overs kan ledningsfestet brukes til å oppbevare den overflødig lengden.

6. Kontroller at støvbeholderen er satt riktig inn i roboten

7. Trykk de to kantbørstene på plass på brakettene. Følg med på tildelingen av L (venstre) og R (høyre) på enheten og på børstene. **[Fig. 3]**

8. Fjern svampene fra robot-rengjøringsapparatet. Styr roboten inn i ladestasjonen for å begynne. Ved normal bruk vil det ta ca. 4/5 timer å lade Roboten helt opp.

LAD BATTERIET [Fig. 4]

Trykk i 3 til 5 sekunder på robotens PÅ/AV-knapp for å slå den på, og sett den ned foran ladestasjonen.

Trykk på robotens Home (Ladestasjon)-knapp og kontroller at den beveger seg til ladestasjonen.

For optimal batteriytelse anbefales det å holde robotens batteri fulladet.

Når batteriet lades, blinker PÅ/AV-knappen og Home (Ladestasjon)-knappen hvitt.

Når batteriet er fulladet, er lysene AV.

Automatisk lading

Hvis robotens batterikapasitet er lav under rengjøringsøkten, stopper robot-rengjøringsapparatet rengjøringen og begynner å lete etter ladestasjonen.

Når robot-rengjøringsapparatet avslutter rengjøringsøkten, går den automatisk over til lademodus og begynner å lete etter ladestasjonen.

MERK: Pass på at ladekontaktene til roboten og ladestasjonen ikke er skitne. Rengjør ladekontaktene om nødvendig.

Hvis det ikke er mulig å slå på roboten på grunn av lite strøm, flytt roboten manuelt til ladestasjonen for lading. Ladekontaktene må være justert, og kantbørstene må ikke sitte fast mellom ladekontaktene.

Batteri

Med tid vil robotbatteriets kapasitet avta og må erstattes. Et erstatningsbatteri kan kjøpes fra en godkjent Hoover-forhandler. Bruk kun originale Hoover reservedeler og tilbehør.

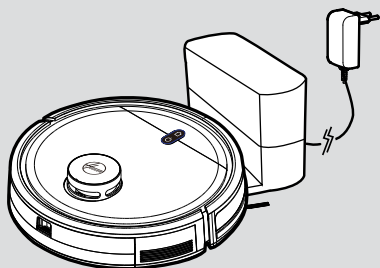


Fig. 1

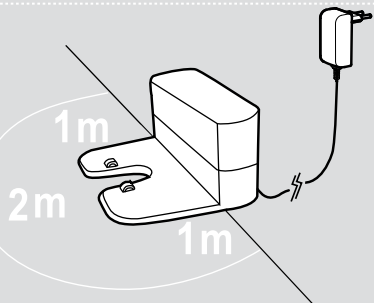


Fig. 2

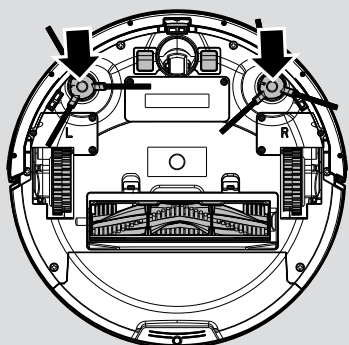


Fig. 3

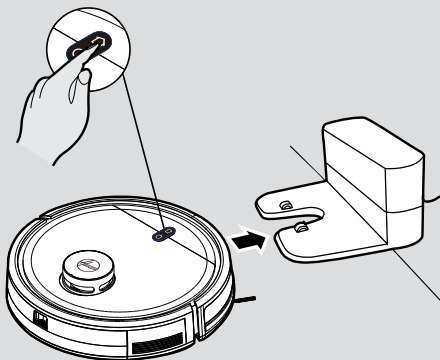


Fig. 4

BRUK AV ROBOT-RENGJØRINGSAPPARATET

• Home (Ladestasjon)-knapp

Kort trykk: Lade

Langt trykk: App-tilkobling

Lysindikator:

Blinkende hvitt lys: lading

Raskt blinkende hvitt lys: App-tilkobling

• På/av-knapp

Langt trykk: slå på (hvis robot er av)

Langt trykk: slå av (hvis robot er på)

Kort trykk: start/pause (hvis robot er i sovemodus)

Lysindikator:

Blinkende blått lys: standby-modus

Blått lys på: arbeidsmodus

Blått lys av: sovemodus

1. Robotens driftsprosess: sovemodus > standby-modus > arbeidsmodus

A. Sovemodus: Når roboten er i standby-modus og ikke har vært i funksjon på 3 minutter, går den automatisk over i sovemodus. Når roboten er i sovemodus, er lyset i knappen slukket og roboten står stille.

B. Standby-modus: Når roboten er i standby-modus, blinker det blå lyset i knappen og roboten står stille.

C. Arbeidsmodus: Når roboten er i funksjon, er det blå lyset i knappen tent og roboten er i rengjøringsøkt.

2. Pause

Pause betyr at roboten har vekslet fra arbeidsmodus til standby-modus. Det kan gjøres ved å trykke på robotens på/av-knapp, eller med mobilappen.

Vær oppmerksom! [Fig. 5]

Hvis roboten er i sovemodus, trykk to ganger på PÅ/AV-knappen for at den skal starte rengjøringen igjen.

Hvis roboten ikke skal brukes på lang tid, trykk lenge på PÅ/AV-knappen for å slå av roboten. Når roboten krasjer, trykk på Tilbakestill-knappen på hornet i 2-3 sekunder med en nål mindre enn 2 mm, for å fremtvinge at roboten slås av.

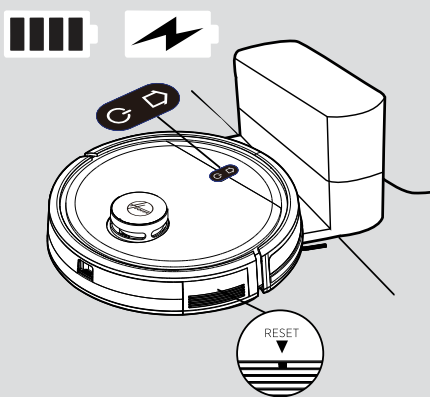


Fig. 5

NEDLASTING AV APP OG TILKOBLING VIA WI-FI [Fig. 6]

For alltid å ha tilgang til alle robotfunksjoner, uansett hvor du befinner deg, anbefaler vi at du laster ned HG5-appen. Da kan du kontrollere roboten på den mest effektive måten.

1. Last ned "HG5"-appen fra App Store, Google Play eller APP Gallery.
2. Åpne appen, opprett en konto med e-posten din og et passord. Bekreft innlogging.
3. Påse at mobilenheten er tilkoblet Wi-Fi.
4. Klikk på "legg til enhet" i appen, og følg instruksjonene for å fullføre paringen.

ADVARSEL:

Wi-Fi-navnet kan ikke overskride 32 tegn.

Hvis tilkoblingen mislyktes, følg trinnene nedenfor for å kontrollere:

- Forsikre deg om at du har skrevet inn korrekt Wi-Fi-passord
- Forsikre deg om at du har stilt Wi-Fi-nettverket til 2,4 GHz
- Forsikre deg om at roboten ikke er for langt unna ruterer.

MED HG5-APP

Etter å ha paret den med roboten, kan du opprette et kart over hjemmet. På denne måten har du tilgang til helt tilpassbare innstillinger og rengjøringsplaner for roboten.

Klikk på robotikonet for tilgang til kartsiden. Husk å fjerne hindringer på gulvet (ledninger, sokker, sko) før du slår på roboten.

Trykk på PÅ/AV-knappen, slik at roboten kan starte kartleggingen av hjemmet. Du kan se kartet som opprettes på din startside. Når roboten har skannet hjemmet, kan du se det fullstendige kartet på mobiltelefonen. Du kan gi et navn til hvert rom, tilpasse det og sette opp en rengjøringsplan (sugeeffektivitet, moppenivå, rengjøringshyppighet osv.).

- Rengjøringstid: angir varigheten til siste rengjøringsøkt
- Rengjort område: angir kvadratmetrene roboten har dekket under siste rengjøringsøkt
- Batteri: batteriets gjeldende nivå



Fig. 6

- **SLÅ PÅ** (▲)

Roboten starter rengjøringen og følger de gjeldende rengjøringsinnstillingene.

- **TILBAKE TIL LADING** (◆)

Roboten går tilbake til ladestasjonen.

* Alle de andre ikonene tennes og vil kun være tilgjengelige etter å ha klikket på PÅ-ikonet.

- **GÅ TIL STED** (📍)

Velg et spesifikt sted på kartet, og roboten går dit og starter rengjøringsøkten og følger de gjeldende rengjøringsinnstillingene.

- **VELG ROM** (📦)

Velg et spesifikt rom på kartet, og roboten går dit og starter rengjøringsøkten og følger rommets rengjøringsinnstillinger.

- **VELG OMRÅDE** (🔍)

Velg et spesifikt område på kartet, og roboten går dit og starter rengjøringsøkten og følger de gjeldende rengjøringsinnstillingene.

- **FORBUDTE OMRÅDER** (🚫)

Definer et spesifikt område hvor roboten ikke kan gå. Du kan definere forbudte områder for mopping og støvsuging, eller begge.

- **TILPASSE** (🔧)

Tilpass rommene på kartet. Det er mulig å slå sammen eller dele opp forskjellige rom, tilbake stille kartet helt, gi nytt navn til rommene, angi rengjøringsplan for hvert rom og angi rengjøringssekvens for rommene.

- **INNSTILLINGER** (⋮)

Komplett innstillingsliste for roboten

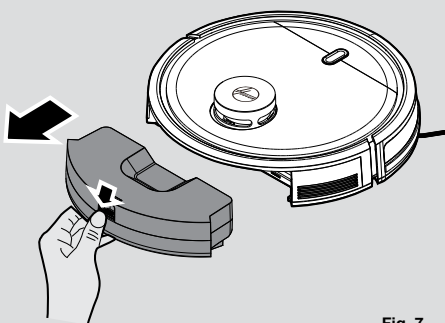


Fig. 7

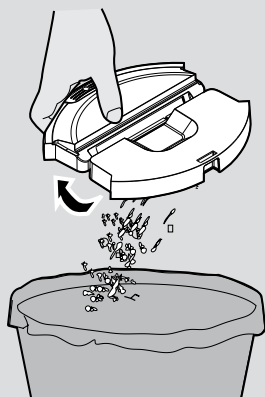


Fig. 8

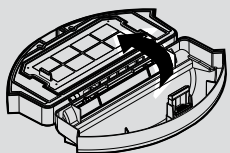


Fig. 9

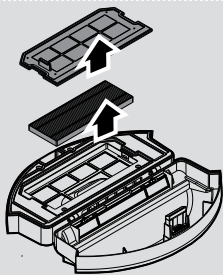


Fig. 10

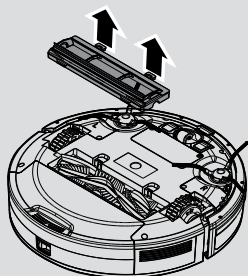


Fig. 11

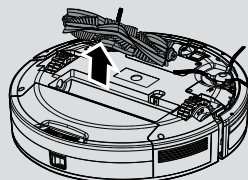


Fig. 12

VEDLIKEHOLD AV ROBOT-RENGJØRINGSAPPARATET

TØMME STØVBEHOLDEREN

Før du utfører enhver vedlikeholdsoperasjon, må du forsikre deg om at roboten er skrudd av.

1. Slå av roboten og ta den ut av ladestasjonen.
2. Bruk en tørr klut for å rengjøre alle overflater. Du **MÅ IKKE** la noen deler av produktet utsettes for vann under rengjøring.

Etter støvsuging må du fjerne støvbeholderen.

1. Trykk på slippknappen og dra den ut. [Fig. 7]
2. Tøm støvbeholderen over en søppelbøtte. [Fig. 8]
3. Om nødvendig kan du bruke rengjøringskosten for å fjerne støv på innsiden av støvbeholderen eller filterflaten
4. Sett støvbeholderen inn i roboten igjen

RENSE FILTRENE

Roboten er utstyrt med et pre-motorfilter. For å sikre optimal rengjøringsytelse, må du med jevne mellomrom rengjøre filterdekselet og premotorfilteret. De bør rengjøres hver 5. gang du tømmer støvbeholderen, og bør ikke vaskes.

1. Etter støvsugingen fjerner du støvbeholderen, trykker på utløserknappen og trekker den ut. [Fig. 7]
2. Tøm støvbeholderen. [Fig. 8] Åpne støvbeholderen, fjern filtergitteret og filteret, ta EPA-filteret ut av filtergitteret og rengjør dem separat. Monter i omvendt rekkefølge, og pass på at filteret monteres riktig. [Fig. 9,10]

VIKTIG: Sjekk og vedlikehold regelmessig filtrene ved å følge instruksjonene for filter-vedlikehold. Dette vil opprettholde maksimal rengjøringsytelse.

Hvis filtergitteret og filteret skades, må de fjernes straks og skiftes ut i tide for å unngå å skade sugemotoren.

RENGJØRING AV AGITATOREN

Rengjør regelmessig agitatorene for å opprettholde maksimal rengjøringssevne.

1. Slå AV roboten og snu den.
2. Trykk på klemmene på bunnplaten og ta av agitatordekselet. [Fig. 11]
3. Ta tak i den ene enden av agitatorene og løft den opp. [Fig. 12]
4. Bruk rengjøringskosten for å fjerne sammenfiltringer fra agitatorene og skitt på bustene. Ikke mist gummihylsen på kulelageret.
5. Sett agitatorene og agitatordekselet på plass i roboten igjen etter rengjøringen.

OBS: Alle vedlikeholdsuppgaver må utføres etter å ha tatt ut støvbeholderen for å unngå at den tømmes ved et uhell.

RENGJØRE KANTBØRSTENE

Skitne kantbørster vaskes med rent vann og tørkes før de tas i bruk igjen. Hvis kantbørsten er skadet og ikke fungerer riktig, må den skiftes ut.

Vær oppmerksom!

Ved utskifting av kantbørstene må "L" og "R" merkene på børstene matche "L" og "R" merkene nede på roboten.

RENGJØRE DRIVHJULENE [Fig. 13]

1. Skru Roboten av og vend den rundt.
2. Fjern alt av smuss og hår som er fanget opp i hjulene.
3. Rengjør hjulene med en tørr klut.

RENGJØR ANTIFALLSENSORENS LINSE [Fig. 14]

For å beholde sikker bruk av roboten din er det viktig å holde alle antifallsensorene rene.

Det finnes tre sensorer på undersiden av roboten. Snu roboten opp-ned og rengjør dem med en tørr klut for å fjerne oppsamlet støv, smuss eller avfall.

UTSKIFTING AV BATTERI [Fig. 15]

1. Bruk et skrujern for å ta ut skruene på batteridekslet nede på roboten.
2. Fjern batteridekselet.
3. Koble fra kontakten og ut batteriet.
4. Sett inn et nytt batteri og koble til kontakten. Pass på at kontakten og ledningene justeres riktig. Sett på batteridekselet igjen og lukk det med skruene.
5. Slå på for å kontrollere at alt fungerer som det skal.

Vær oppmerksom!

Resirkuler brukte batteriet på en miljøvennlig måte for å unngå forurensing.

VIKTIG MERKNAD

Bruk kun godkjente reservedeler for roboten.

Å bruke deler som ikke er godkjent av Hoover er farlig og vil ugyldiggjøre garantien.

Hvis roboten ikke skal brukes på flere måneder, må du ta ut batteriene og oppbevare dem på et tørt sted.

VIKTIG: Forsikre deg alltid om at apparatet er skrudd av før du utfører vedlikehold. Løft og bær alltid roboten med begge hender, og pass på at den holdes i vannrett stilling. [Fig. 16]

Når du slår på robot-rengjøringsapparatet, ikke grip tak i støvbeholderen for å unngå at den åpnes. [Fig. 17]
Unngå å bruke robot-rengjøringsapparatet i direkte sollys eller på mørkpolerte overflater, fordi disse forholdene vil påvirke robotens adferd negativt.

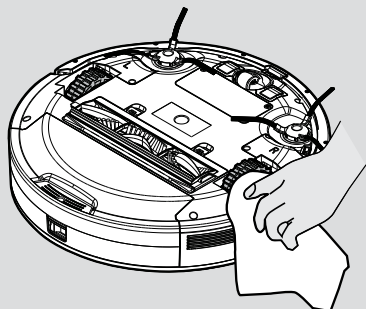


Fig. 13

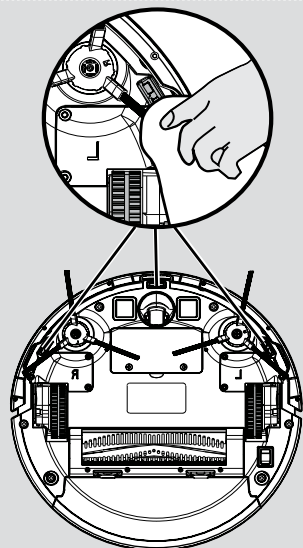


Fig. 14

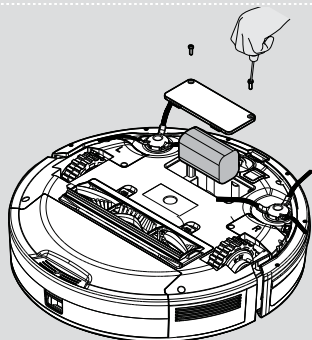


Fig. 15

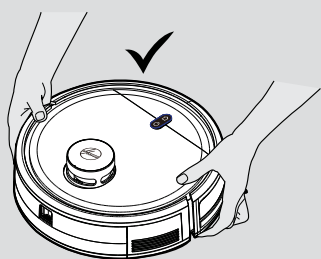


Fig. 16

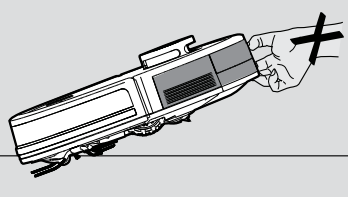


Fig. 17

FEILSØKING

Hvis du får problemer med roboten, kan du følge denne enkle kontrollisten før du tar kontakt med Hoover kundeservice.

• Roboten fungerer ikke når den slås på

Lysindikator til PÅ/AV-knapp og Home-knapp	Tiltak
Blinker hvitt og blått	Kontroller at kantbørstene er rene og riktig plassert
	Kontroller at agitatorene er rene og riktig plassert
Hvitt lys på	Kontroller at støvbeholderen er satt riktig inn
Blått og hvitt lys blinker	Kontroller at drivhjulene er rene og fungerer
Blått og lyseblått lys blinker	Kontroller at antifallsensorene og fremre støtfanger er rene og fungerer
Hvitt lys blinker	Kontroller at Lidar-tårnet fungerer

• Robot lades ikke automatisk

Kontroller at det ikke finnes hindringer mellom roboten og ladestasjonen, at det ikke finnes gjenstander i et område på 2 m foran og 1 m på hver side av ladestasjonen.

• Roboten sitter fast

Roboten vil prøve å frigjøre seg selv, men i noen tilfeller trenger den manuell hjelp.

• Roboten bråker mye under rengjøringen

Rengjør støvbeholderen og filteret, rengjør og kontroller agitatorene og drivhjulene.

• Rengjøringseffekten er svak

Rengjør støvbeholderen og filteret, rengjør og kontroller agitatorene og drivhjulene.

VIKTIG INFORMASJON

Reservedeler og tilbehør fra Hoover

Bruk alltid originale deler fra Hoover. Disse er tilgjengelige fra din lokale Hoover-forhandler eller direkte fra Hoover. Når du bestiller deler, må du alltid oppgi modellnummeret ditt.

Kvalitet

Hoovers fabrikker har blitt uavhengig kvalitetsvurdert. Våre produkter produseres ved å bruke et kvalitetssystem som er i samsvar med ISO 9001.

DIN GARANTI

Garantibetingelsene for dette apparatet er som definert av vår representant i det landet der det ble solgt. Detaljer vedrørende disse betingelsene fås fra forhandleren der apparatet ble kjøpt. Salgskvitteringen må fremvises ved fremsetting av krav under betingelsene i denne garantien..

Kan endres uten forvarsel.

INSTRUKTIONER FÖR SÄKER ANVÄNDNING

Som beskrivs i denna bruksanvisning, får denna apparat endast användas vid städning av hemmet. Se till att du följt och läst anvisningarna helt innan du börjar använda maskinen.

Stäng alltid av och ta bort laddaren från uttaget innan du rengör apparaten eller utför något underhåll.

Den här apparaten kan användas av barn från 8 års ålder och personer med en nedsatt fysisk, sensorisk eller mental förmåga och som inte har erfarenhet och kunskaper som behövs, förutsatt att de övervakas eller har fått instruktioner om hur apparaten används på ett säkert vis, och förstår riskerna som är involverade. Barn får inte leka med apparaten. Rengöring och underhåll som användaren ska utföra, får inte göras av barn utan övervakning.

Om nätsladden är skadad, sluta då omedelbart att använda produkten. För att undvika säkerhetsrisker så måste en behörig Hoover-servicetekniker byta nätsladden.

Om området som ska rengöras innehåller en balkong eller trappa bör en fysisk barriär användas för att förhindra åtkomst till balkongen eller trappan och säkerhetsställa en säker användning. Små barn och husdjur måste hållas under uppsikt under tiden som roboten städar.

Förvara alltid apparaten inomhus. Använd inte apparaten utomhus eller utsätt apparaten för väder och vind, luftfuktighet eller värmekällor (ugn, spis, vått golv).

Utsätt inte roboten eller dess tillbehör för extrem värme / kyla (förvara den mellan 0-30°C).

Tappa inte roboten eller använda något tillbehör som har tappats, skadats, lämnats utomhus eller tappats i vatten.

Koppla aldrig ur eller dra i nätadapters nätsladd.

Använd inte apparaten för att städa trappor.

Laddning av batteriet

Använd endast den ursprungliga laddaren som följer med apparaten.

Kontrollera att din nätspänning är samma som är angiven på laddaren.

Ladda aldrig batterierna i temperaturer över 30°C eller under 0°C.

Koppla in laddaren som levereras med den här apparaten i ett lämpligt uttag.

Läckage från battericeller kan förekomma under extrema användning- eller temperaturförhållanden. Om det kommer vätska på huden, skölj snabbt med vatten. Om vätskan kommer in i ögonen, skölj dem omedelbart med rent vatten i minst 10 minuter. Uppsök läkare.

Det är normalt att laddaren blir varm när laddning pågår.

Använd endast tillbehör, förbrukningsvaror och reservdelar som rekommenderas eller levereras av Hoover.

Plocka inte upp hårda eller vassa objekt, tändstickor, het aska, cigarettfimpar eller andra liknande objekt.

Spruta inte med eller plocka upp brandfarliga vätskor, rengöringsmedel, aerosoler eller deras ångor.

Fortsätt inte att använda din apparat om den verkar vara defekt.

Hoover service: För att se till att maskinen fortsätter att vara effektiv och fungerar som den ska rekommenderar vi att service och reparationer endast utförs av behöriga servicetekniker från Hoover.

Använd inte apparaten till att rengöra djur eller människor.

Ersätt inte Robot-batterierna med ej uppladdningsbara batterier.

Om roboten inte ska användas under en längre tid (några veckor), koppla ur nätadaptern.

Borttagning av batterier som nått slutet av sin livslängd

Om maskinen ska kasseras måste batterierna först tas bort. Maskinen måste kopplas bort från elnätet vid borttagning av batterierna. Kassera batterierna på ett säkert sätt. Kör apparaten tills den stannar på grund av att batterierna är helt urladdade. Använda batterier bör tas till en återvinningsstation och inte disponeras med hushållssoporna. För att ta bort batterierna, kontakta kundtjänsten på Hoover eller fortsätt enligt följande instruktioner.

Dra ut laddaren och stäng av Roboten. Vänd Roboten upp och ned och lägg på en plan yta. Ta bort skruvar och batterihölje. Ta bort batterisatsen.

OBS! Om du upplever några svårigheter med att montera ner enheten eller för mer information om hantering eller återvinning av den här maskinen, var god och kontakta dina lokala myndigheter eller din återvinningsstation.

VIKTIG INFORMATION FÖRE ANVÄNDNING

Läs följande information noggrant innan du använder din Robot eller dess tillbehör.

Montera inte isär Roboten och försök inte reparera den själv. Om ett fel uppstår, kontakta Hoover Kundtjänst för professionell rådgivning.

Trappor: Roboten använder sensorer för att undvika att falla ner för trappor, trappor eller över en kant. I vissa situationer kan sensorerna bli förvirrade. Roboten kan inte upptäcka steg som är mindre än 8 cm höga. Steg mindre än 8 cm kan få Roboten att falla ner. Om tillgängligt, ställ in förbjudna områden eller virtuella väggar genom appen för att skydda din robot från att falla.

Mycket reflekterande eller mycket mörka ytor som används på vissa steg eller trappor, såsom glas eller polerad keramik kan få Roboten att falla ner. Om tillgängligt, ställ in förbjudna områden eller virtuella väggar genom appen om den är tillgänglig eller placera en matta på det nedre steget för att skydda din robot från att falla.

Att använda Roboten på entréer, avsatser eller upphöjda områden utan gränser bör undvikas. Om tillgängligt ställ in förbjudna områden eller virtuella väggar genom appen för att förhindra din robot från att stiga in i dessa områden.

Batterianvändning: Din Robot drivs med laddningsbara, litiumbatterier med hög kapacitet. Dessa laddningsbara batterier garanteras för en period av 6 månader om de underhålls och drivs enligt denna bruksanvisning.

I händelse av en väsentligt försämring av Robotens prestanda kan nya batterier erhållas från din Hoover-återförsäljare.

Använd endast Hoover godkända reservdelar för din Robot. Användning av delar som inte är godkända av Hoover är farliga och kan ogiltigförklara din garantin.

Använd endast den tillhandahållna laddningsstationen och nätadapter för att ladda din robot. Användning av felaktig laddningsstation eller huvudströmadapter är farligt och kommer att ogiltigförklara garantin.

Frekvensband	2412 MHz to 2472 MHz
Maximal RF-effekt överförd i frekvensbanden	802.11 b: +15.95 dBm 802.11 g: +14.91 dBm 802.11 n20: +13.78 dBm

Miljön

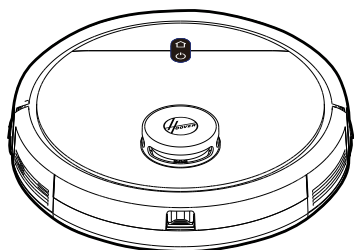
Symbolen på apparaten indikerar att denna produkt inte får behandlas som hushållsavfall. Den måste i stället lämnas in på uppsamlingsplats för återvinning av elektrisk och elektronisk utrustning. Avfallshanteringen ska utföras enligt de lokala miljöbestämmelserna. För mer information om hantering, återvinning och återanvändning av denna produkt, kontakta din kommun, lokala myndigheter och renhållningsverk eller den butik där du köpte apparaten.



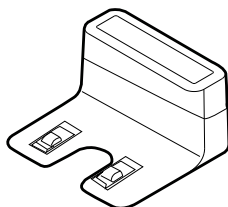
CE Denna apparat uppfyller de europeiska direktiven 2014/53/EU och 2011/65/EU. Om du vill ha en kopia av försäkran om överensstämmelse kan du kontakta tillverkaren via webbplatsen: www.candy-group.com

CANDY HOOVER GROUP Srl Via Privata Eden Fumagalli, 20861 Brugherio (MB) Italy

LÅDANS INNEHÅLL:



Robotrengörare



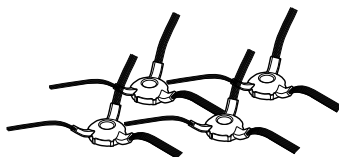
Laddningsstation



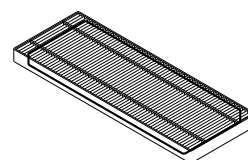
Bruksanvisning



Nätadapter



X4 kantrengöringsborste

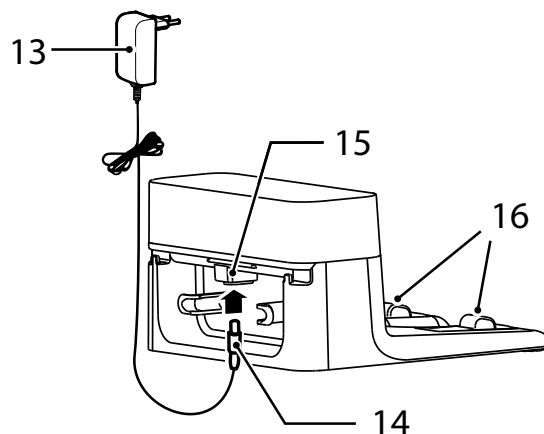
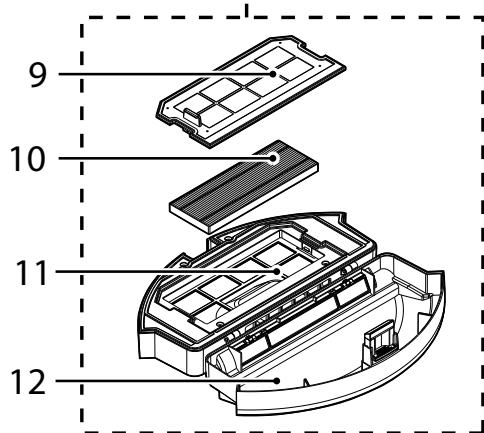
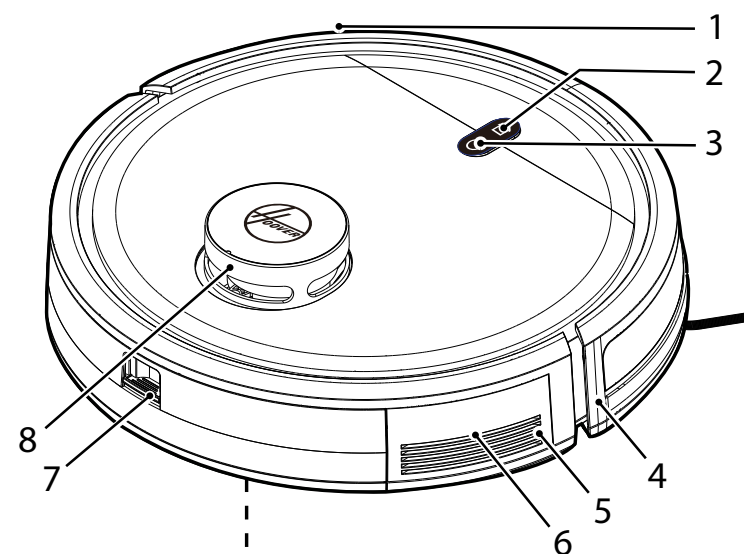


Ytterligare filter för robot



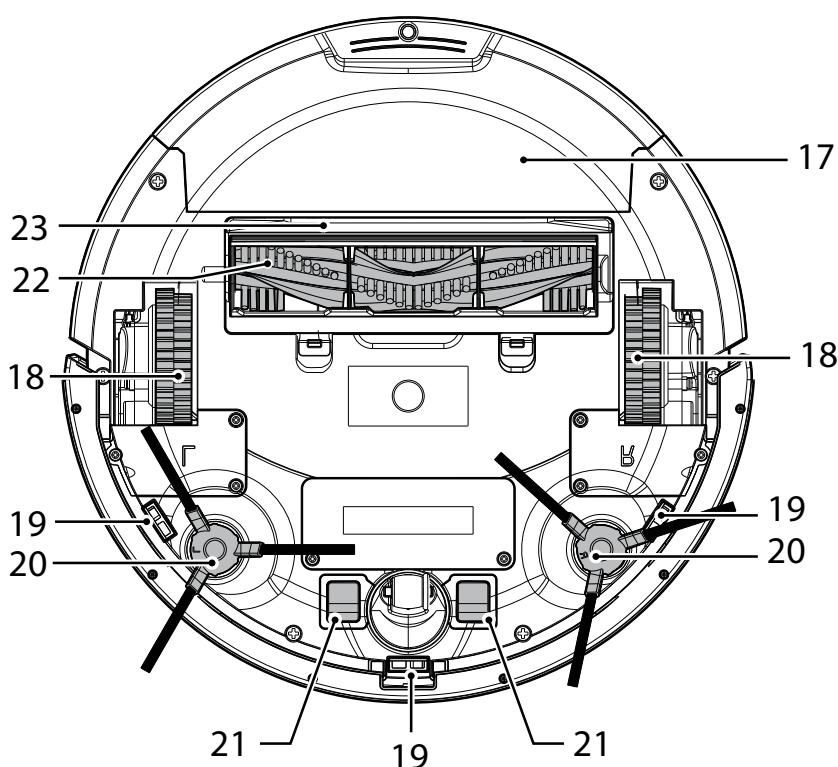
Rengöringsborste

LÄR KÄNNA DIN ROBOTDAMMSUGARE



1	Främre stötfångare
2	Knapp HEM (laddningsstation)
3	Av/På / Strömbrytare
4	Främre signalmottagare
5	Högtalare
6	Återställningsknapp (röd knapp)
7	Knapp för frigörande av dammbehållare
8	Lidar-torn
9	Filternät
10	EPA-filter
11	Topplock på dammbehållaren
12	Nedre lock på dammbehållaren

13	Nätadapter
14	Kontakt för strömförsörjning
15	DC-uttag, Laddningsstation
16	Laddarkontakter



17	Dammbehållare
18	Styrhjul
19	Anti-fall sensor
20	Kant Rengöringsborste
21	Robotladdningskontakter
22	Omrörare
23	Omrörarens topphölje

FÖRBERED DIN ROBOTDAMMSUGARE

FÖRPACKNING

Kasta inte bort Robotens förpackning. Det kan krävas att garantin är giltig i framtiden. När du packar upp din Robot och dess tillbehör, var noga med att hålla plastpåsar borta från spädbarn, unga barn och djur för att undvika risken för kvävning. Vid första användningen, ladda din dammsugare i 4-6 timmar. **[Fig. 1]** Utsätt inte Robotens nätadapter för temperaturer under 0°C eller över 30°C då detta kan skada batteriet. Denna nätadapter får endast anslutas till ett vanligt nätuttag.

BATTERI

För optimal batteriprestanda rekommenderar vi att du håller batterierna till din Robot fulladdade. När Roboten inte används bör den lämnas ansluten till laddningsstationen. Roboten har ett intelligent laddningssystem. Det skyddar batterierna från att överladdas. För att förhindra olyckor, se till att alla personer i rummet är medvetna om närvaron av Roboten.

FÖRBERED DITT HEM

Innan användning, avlägsna hinder som kan komma i vägen för roboten. Var uppmärksam på:

- Objekt som lätt kan vältas.
- Kanter på mattor eller mattor som den kan fastna på.
- Golvlånga gardiner och dukar.
- Värmekällor eller brännbara föremål.
- Nätsladdar och kablar.
- Ömtåliga föremål.

INSTÄLLNING AV LADDNINGSTATIONEN

1. Koppla in huvudströmadaptern och anslut till laddningsbasen. **[Fig. 2]**
2. Se till att strömsladden inte hamnar under laddningsbasen.
3. Placera laddningsbasen på ett plant icke-reflekerande golv, helst mot en vägg. Om golvytan är för reflekterande kommer det störa robotens navigeringssystem och den kan ha svårigheter att hitta laddningsbasen.
4. Det får inte finnas något föremål i området runt laddningsbasen inom 2 meter framför och 1 meter på varje sida. **[Fig. 2]**
5. Se till att nätsladden inte är tilltrasslad eller utsträckt. Om det finns ett överskott, så använd nätsladden på så sätt att den lagras snyggt.
6. Kontrollera att dammbehållaren är korrekt insatt i roboten
7. Tryck på de två kantrengöringsborstarna på fästena tills de snäpps fast på plats. Var uppmärksam på märkningarna L och R på enheten och på borstarna. **[Fig. 3]**
8. Ta bort svamparna från robotrengöraren. Led din robot till laddningsbasen för att starta. Under normal användning tar det ungefär 4/5 timmar att slutföra en full uppladdning.

LADDNING AV BATTERIET [Fig. 4]

Tryck länge på ON/OFF-knappen på roboten i 3 till 5 sekunder för att slå på roboten, ställ ner den framför laddningsbasen.

Tryck på knappen Hem (laddningsbas) på roboten, säkerställ att den rör sig till laddningsbasen.

För optimal batteriprestanda rekommenderar vi att du håller ditt robotbatteri fulladdat.

När batteriet laddas blinkar knapparna ON/OFF och Hem (laddningsbas) i vitt.

Om batteriet är fulladdat är lamporna OFF.

Automatisk laddning

Om robotens batterikapacitet är låg under städsessionen slutar robotrengöraren att städa och börjar söka efter laddningsbasen för att ladda sig själv.

När robotrengöraren avslutar städsessionen kommer den automatiskt att växla till laddningsläge och börja leta efter laddningsbasen för att ladda sig själv.

OBS! Se till att robotens laddningskontakter inte är smutsiga. Rengör laddningskontakterna vid behov. Flytta roboten manuellt till laddningsbasen för laddning om roboten inte kan slås på på grund av låg effekt. Laddningskontakterna ska vara inriktade och kantrengöringsborsten ska inte sitta fast mellan laddningskontakterna.

Batteri

Med tiden kommer kapaciteten på ditt robotbatteri att minska och kräva byte. Ett ersättningsbatteri kan köpas från godkänd Hoover-återförsäljare. Använd endast originaldelar reservdelar och tillbehör från Hoover.

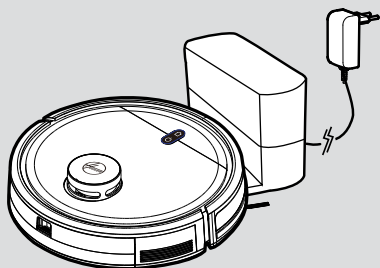


Fig. 1

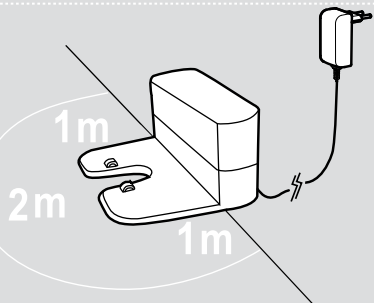


Fig. 2

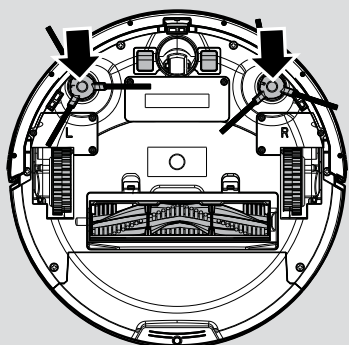


Fig. 3

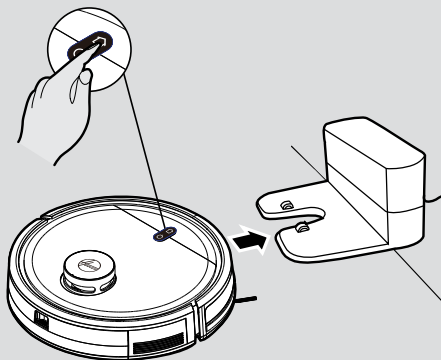


Fig. 4

ANVÄNDA DIN ROBOTDAMMSUGARE

• Knapp Hem (laddningsbas)

Kort tryck: Ladda om

Långt tryck: App-anslutning

Lampindikator:

Vit lampa blinkar: laddar

Vit lampa blinkar snabbt: App-anslutning

• Av/På / Strömbrytare

Långt tryck: ström på (om robot är av)

Långt tryck: ström av (om robot är på)

Kort tryck: start/paus (om robot är i viloläge)

Lampindikator:

Blå lampa blinkar: standbyläge

Blå lampa är alltid på: arbetsläge

Blå lampa släckt: viloläge

1. Robotens driftprocess: viloläge > standbyläge > arbetsläge

A. Viloläge: När roboten är i standbyläge, och inte har arbetat på 3 minuter, går den automatiskt in i viloläget. När roboten är i viloläge är knapplampan släckt och roboten är stilla.

B. Standbyläge: När roboten är i standbyläge blinkar knapplampan i blått och roboten är stilla.

C. Arbetsläge: När roboten arbetar lyser knapplampan alltid i blått och roboten är i städsessionen.

2. Paus

Paus innebär att roboten växlas från arbetsläge till standbyläge. Detta görs genom tryck på knappen "på/av" på roboten, eller via mobilappen.

Observera! [Fig. 5]

Om roboten är i viloläge, tryck två gånger på knappen "ON/OFF" på roboten för att få den att börja städa.

Tryck länge på knappen "ON/OFF" för att stänga av roboten om den inte används under en längre tid. När roboten stöter på en krasch, tryck på återställningsknappen på hornet i 2–3 sekunder med en nål mindre än 2 mm för tvångsavstängning.

APP NEDLADDNING OCH ANSLUTNING VIA WIFI [Fig. 6]

För att få tillgång till robotens funktioner från varsohemst rekommenderas det att ladda ner HG5 APP. Du kan kontrollera roboten på det mest effektiva sätt.

1. Ladda ner "HG5"-appen från din App Store, Google Play eller APP Gallery.
2. Öppna APPEN, skapa ett konto med din e-post och ett lösenord. Bekräfta inloggning.
3. Se till att din mobila enhet är ansluten till Wi-Fi.
4. Klicka på "lägg till enhet" på APP, följ instruktionerna för att slutföra parningen.

VARNING

WiFi-namnet får inte överstiga 32 tecken.

Om anslutningen misslyckas, följ stegen nedan för att kontrollera:

- Säkerställ att du har skrivit in rätt router WIFI-lösenord
- Sätt ditt WiFi-nätverk till 2.4GHz
- Se till att roboten inte är långt ifrån routern.

MED HG5-APP

Efter lyckad parning av din robot kan du skapa kartan över ditt hem. Detta ger dig tillgång till helt anpassningsbara inställningar och rengöringsscheman för din robot.

Klicka på ikonen Robot för att få tillgång till kartsidan. Kom ihåg att ta bort alla hinder på golvet (kablar, strumpor, skor) innan du slår på roboten.

Klicka på knappen STRÖM PÅ för att låta roboten börja kartlägga din lägenhet. Du kommer att se kartan som skapas på din startside. När roboten har skannat hela din lägenhet ser du hela kartan på din telefon. Du kan namnge varje rum, anpassa det och ställa in ett dedikerat städschema (sugeffektnivå, moppnivå, städningssfrekvens, etc.).

- Rengöringstid: indikerar varaktigheten av den senaste städsessionen
- Rengjort område: indikerar de kvadratmeter som roboten har täckt under den senaste städsessionen
- Batteri: aktuell batterinivå

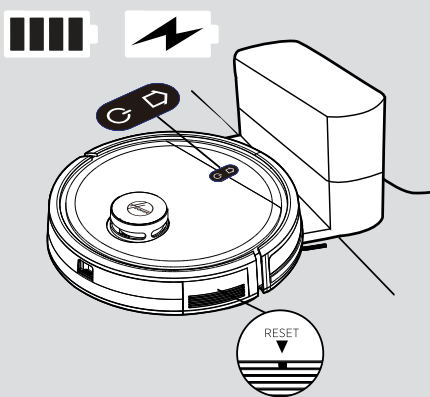


Fig. 5



Fig. 6

- STRÖM PÅ (⏻)

Roboten börjar städa efter de aktuella städinställningarna.

- TILLBAKA TILL LADDNING (🔌)

Roboten återgår till laddningsbasen.

* Alla andra ikoner kommer att slås på och vara tillgängliga först efter att du har klickat på ikonen Ström På.

- GÅ TILL PLATS (📍)

Välj en specifik plats på kartan, roboten kommer att gå dit och starta dess städsession enligt de aktuella städinställningarna.

- VÄLJ RUM (🏠)

Välj ett specifikt rum på kartan, roboten kommer att gå dit och starta dess städsession enligt rummets städinställningar.

- VÄLJ OMRÅDE (📏)

Välj ett specifikt område på kartan, roboten kommer att gå dit och starta dess städsession enligt de aktuella städinställningarna.

- FÖRBJUDNA OMRÅDEN (🚫)

Definiera ett specifikt område dit roboten inte får gå. Du kan definiera förbjudna områden för mopning, för dammsugning eller båda.

- ANPASSA (🔧)

Anpassa rum på kartan. Man kan slå samman eller dela olika rum, återställa kartan helt, döpa om rum, ställa in städschema för varje rum, ställa in städsekvens för rum.

- INSTÄLLNINGAR (⋮)

Fullständig inställningslista för roboten

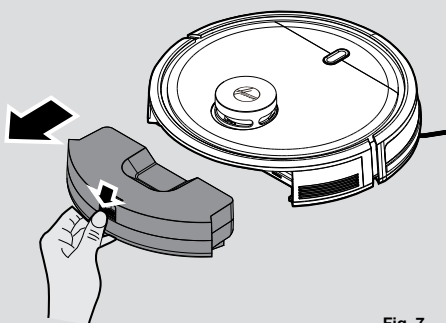


Fig. 7

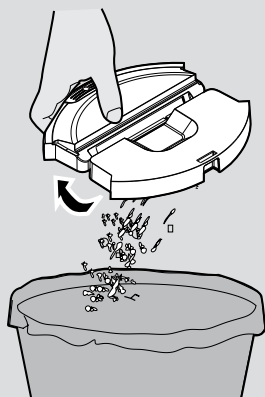


Fig. 8

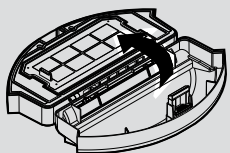


Fig. 9

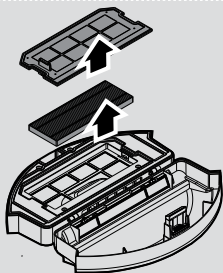


Fig. 10

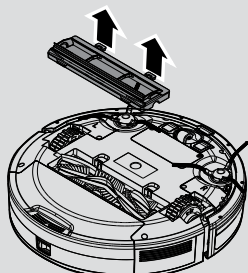


Fig. 11

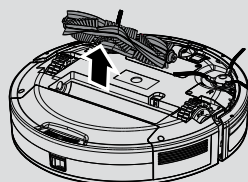


Fig. 12

UNDERHÅLLA DIN ROBOTDAMMSUGARE

TÖMMA DAMMBEHÅLLAREN

Se till att Roboten är avstängd innan du utför något underhåll.

1. Stäng av roboten och ta bort den från laddningsbasen.
2. Använd en torr trasa för att rengöra alla ytor. LÅT INTE vatten komma in i någon del av produkten under rengöringen.

Ta bort dammbehållaren efter dammsugning.

1. Tryck på frigöringsknappen och dra ut den. [Fig. 7]
2. Töm dammbehållaren över en papperskorg. [Fig. 8]
3. Använd rengöringsborsten vid behov för att ta bort allt överflödigt damm från dammbehållarens eller filterytans insida
4. Sätt tillbaka dammbehållaren i roboten

RENGÖRING AV FILTRENA

Roboten är försedd med ett förmotorfilter. För att behålla optimala rengöringsprestanda, rengör filterskyddet och motorns förfilter regelbundet. Det ska rengöras efter att dammbehållaren har tömts 5 gånger och ska inte tvättas.

1. Ta bort dammbehållaren efter dammsugningen, tryck på frigöringsknappen och dra ut den. [Fig. 7]
2. Töm dammbehållaren. [Fig. 8] Öppna dammbehållaren, ta bort filternätet tillsammans med filtret, ta sedan bort EPA-filtret från filternätet och rengör dem separat. Monteringens görs i omvänd ordning, se till att filtret är korrekt monterat. [Fig. 9,10]

VIKTIGT: Kontrollera och underhåll filtren regelbundet genom att följa filtrets underhållsanvisningar.

Detta kommer att bibehålla maximal rengöringsprestanda.

Om filternätet och filtret är skadade ska de omedelbart avlägsnas och bytas ut i tid för att undvika skador på dammsugarmotorn.

RENGÖRA AGITATORN

Rengör agitatorn regelbundet för att upprätthålla maximal rengöringsprestanda.

1. Stäng AV roboten och vänd den upp och ner.
2. Tryck på klämmorna på fotplattan och ta bort omrörarskyddet. [Fig. 11]
3. Lyft upp omröraren genom att ta tag i ena änden av omröraren. [Fig. 12]
4. Använd rengöringsborsten för att ta bort eventuellt trassel från omröraren och smutsen på borsten. Tappa inte bort gummihylsan på kullagret.
5. Sätt tillbaka omröraren och omrörarskyddet i roboten efter rengöring.

Varning: Alla underhållsarbeten ska utföras när dammbehållaren har tagits ut, för att undvika att smutsen i dammbehållaren dumpas ut av misstag.

RENGÖRING AV KANTBORSTARNA

När kantborstarna blir smutsiga ska de rengöras med rent vatten och torkas före användning; byt ut kantborsten om den är skadad och inte kan fungera normalt.

Observera!

Matcha "L"- och "R"-märkena på borsten med "L" och "R" längst ner på roboten när kantrengöringsborstarna byts ut.

RENGÖRING AV DRIVHJULEN [Fig. 13]

1. Stäng av Roboten och vänd den upp och ner.
2. Ta bort all smuts eller hår som fastnar i hjulen.
3. Rengör hjulen med en torr trasa.

RENGÖRA ANTI-FALL SENSORLINS [Fig. 14]

För att upprätthålla säker drift av din robot är det viktigt att hålla Anti-fall sensorerna rena.

3 sensorer är placerade på robotens undersida. Läg roboten upp och ner och rengör de med en torr trasa för att ta bort all samling av damm, smuts eller skräp.

BYTE AV BATTERIER [Fig. 15]

1. Använd en skruvmejsel för att ta bort skruvarna från batterilocket längst ner på roboten
2. Ta bort batterilocket.
3. Koppla bort kontakten och ta bort batteriet från facket
4. Sätt i det nya batteriet i facket och återanslut till kontakten. Var uppmärksam på rätt inställning av kontakten och ledningarna. Sätt tillbaka batterihöljet och stänga det med skruvarna.
5. Starta för att kontrollera om det är normalt.

Observera!

Återvinn de utbytta batterierna på ett miljövänligt sätt för att undvika föroreningar.

VIKTIG INFORMATION

Använd endast godkända reservdelar till din robot.

Användning av delar som inte är godkända av Hoover är farligt och kan ogiltigförklara din garanti.

Om roboten inte används på flera månader, vänligen ta bort batterierna och bevara dem på en sval och torr plats.

VIKTIGT: Se alltid till att maskinen är avstängd innan underhåll. Använd alltid två händer för att lyfta och bära, och se till att roboten hålls i våg. **[Fig. 16]**

Se till att du inte tar tag i dammbehållaren när du lyfter robotrengöraren för att undvika oavsiktlig öppning.

[Fig. 17]

Du bör undvika att använda din robotrengörare i direkt solljus eller på mörkpolerade ytor eftersom dessa förhållanden kommer att påverka din robots beteende negativt.

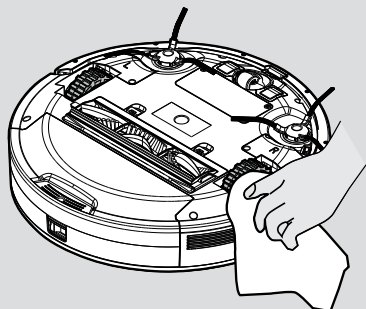


Fig. 13

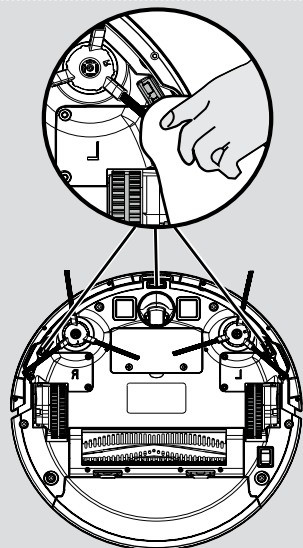


Fig. 14

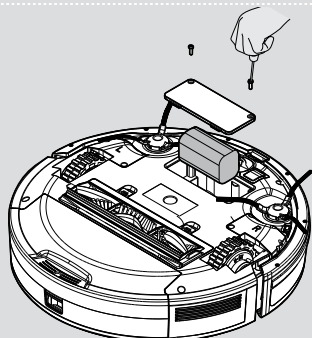


Fig. 15

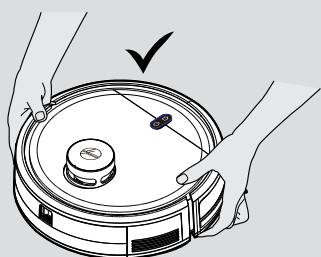


Fig. 16

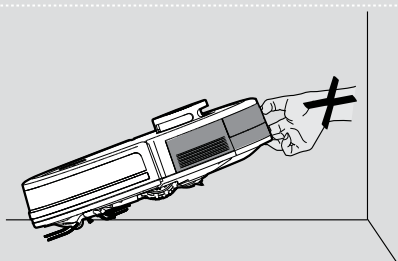


Fig. 17

FELSÖKNING

Om du har något problem med din robot, följ denna enkla checklista innan du ringer Hoover.

• Roboten fungerar inte när den är påslagen

Lampindikator på knapparna ON/OFF och Hem	Åtgärder
Vitt och blått blinkar	Kontrollera att kantrengöringsborstarna är rena och korrekt placerade
	Kontrollera att omröraren är ren och korrekt placerad
Vit tänd	Kontrollera om dammbehållaren är korrekt isatt
Vita och blåa lampor blinkar	Kontrollera att drivhjulen är rena och fungerar
Blå och ljusblå lampor blinkar	Kontrollera att anti-fallsensorerna och den främre stötfångaren är rena och fungerar
Vitt blinkar	Kontrollera att Lidar-tornet fungerar

• Roboten laddas inte automatiskt

Se till att det inte finns några barriärer mellan roboten och laddningsbasen, och inga föremål i området runt laddningsbasen 2 meter framför och 1 meter till varje sida.

• Roboten har fastnat

Roboten kommer försöka komma loss av sig själv, men i vissa fall, hjälp roboten manuellt.

• Robot är mycket bullrig vid rengöring

Rengör dammbehållaren och filtret, rengör och kontrollera omröraren och drivhjulen.

• Rengöringskraften är svag

Rengör dammbehållaren och filtret, rengör och kontrollera omröraren och drivhjulen.

VIKTIG INFORMATION

HOOVER RESERVDELAR OCH FÖRBRUKNINGSVAROR

Använd alltid originaldelar från Hoover vid byte. Du kan beställa delar från närmaste Hoover-återförsäljare eller direkt från Hoover. Uppge alltid modellnummer när du beställer delar.

Kvalité

Hoovers fabriker har kvalitetsbedömts av oberoende organisationer. Våra produkter tillverkas enligt ett kvalitetssystem som uppfyller kraven för ISO 9001.

DIN GARANTI

Garantivillkoren för produkten definieras av vår representant i det land där produkten säljs. Du kan få uppgifter om aktuella villkor från återförsäljaren. Kvittot måste visas upp när man kräver ersättning enligt garantin.

Specifikationerna kan ändras utan föregående meddelande.

OHJEET TURVALLISTA KÄYTTÖÄ VARTEN

Tämä laite on tarkoitettu ainoastaan kotikäyttöön tämän käyttöoppaan kuvaamalla tavalla. Tutustu tähän käyttöoppaaseen huolellisesti ennen laitteen käyttöä.

Kytke laturista virta pois ja irrota laturi virtalähteestä aina käytön jälkeen, ennen kuin puhdistat laitteen tai teet huoltotoimenpiteitä.

Tätä laitetta voivat käyttää yli 8-vuotiaat henkilöt. Taas henkilöt joilla on vähentynyt fyysinen, aistillinen tai henkinen kyvykkyys, tai joilla ei ole aikaisempaa kokemusta tai tietoja saavat käyttää laitetta, mikäli heille on annettu ohjausta ja valvontaa koskien laitteen turvallista käyttöä, ja he ymmärtävät käyttöön liittyvät vaaratekijät. Lapset eivät saa leikkiä laitteella. Lapset eivät saa suorittaa puhdistusta ja huoltoa ilman vanhemman valvontaa.

Lopeta laitteen käyttö välittömästi, mikäli virtajohto on vahingoittunut. Virtajohdon saa turvallisuussyistä vaihtaa vain valtuutettu Hoover-huoltoliike.

Jos puhdistettavalla alueella on parveke tai portaat, täytyy niihin pääsy estää fyysisellä esteellä turvallisen käytön varmistamiseksi. Pieniä lapsia ja eläimiä täytyy valvoa robotin ollessa käynnissä.

Varastoi laite aina sisätiloihin. **Älä** käytä laitetta ulkotiloissa tai altista laitetta sääolosuhteille, kosteudelle tai lämmönlähteille (uuni, takka, märkä lattia).

Älä altista robottia tai lisävarusteita liialliselle kuumuudelle / kylmyydelle (pidä 0-30 °C välillä).

Älä pudota robottia tai käytä mitään lisävarusteita mikäli imuri on pudonnut, vioittunut, jätetty ulos tai pudonnut veteen.

Älä koskaan irrota verkkomuuntajaa pistorasiasta vetämällä virtajohdosta.

Älä käytä portaiden imurointiin.

Akun lataus

Käytä vain laitteen mukana toimitettua laturia.

Varmista, että laturiin merkityt arvot vastaavat syöttöjännitettä.

Älä koskaan lataa akkuja yli 30 °C:n tai alle 0 °C:n lämpötiloissa.

Laita tämän laitteen mukana toimitettu laturi sille soveltuvaan pistorasiaan.

Kovan tai ääriämpötiloissa tapahtuvan käytön seurauksena akkukennot saattavat vuotaa. Jos nestettä pääsee iholle, huuhtelee nopeasti vedellä. Jos nestettä pääsee silmiin, huuhtelee nopeasti puhtaalla vedellä vähintään 10 minuutin ajan. Käänny lääkärin puoleen.

Laturin lämpeneminen latauksen aikana on aivan normaalia.

Käytä ainoastaan Hooverin toimittamia tai suosittelemia lisävarusteita ja varaosia.

Älä imuroi kovia tai teräviä esineitä, tulitikkuja, kuumaa tuhkaa, tupakantumpeja tai muita vastaavanlaisia esineitä.

Älä ruiskuta laitteelle tai imuroi laitteella syttyviä nesteitä, puhdistusnesteitä, aerosoleja tai näiden höyryjä.

Älä käytä laitetta tai laturia, jos se vaikuttaa vialliselta.

Hoover-huolto: Laitteen käyttöturvallisuuden ja tehokkaan toiminnan varmistamiseksi suosittelemme, että huolto ja korjaukset teetetään vain valtuutetussa Hoover-huollossa.

Älä käytä laitetta ihmisten tai eläinten puhdistamiseen.

Älä vaihda Robotin akkuja ei-ladattaviin akkuihin.

Jos Robotti on käyttämättömänä pitkiä aikoja (useita viikkoja), irrota laturi.

Akkujen poisto käyttöään päättymisen jälkeen.

Jos laite hävitetään, akut on ensin poistettava laitteesta. Laitteen täytyy olla irrotettu verkkovirrasta akkua vaihdettaessa. Kierrätä akut turvallisesti. On suositeltavaa käyttää laitetta, kunnes se pysähtyy, jotta akut tyhjentyvät kokonaan. Vie käytetyt akut kierrätyskeskukseen.

Älä hävitä niitä kotitalousjätteen mukana. Irrottaaksesi akut ota yhteyttä valtuutettuun Hoover-huoltoliikkeeseen tai noudata seuraavia ohjeita.

Irrota laturi ja sammuta robotti. Käännä robotti ympäri ja aseta se tasaiselle pinnalle. Irrota ruuvit ja akkukotelon kansi. Irrota paristopaketti.

HUOMAA: Jos sinulla on vaikeuksia purkaa laitetta tai tarvitset yksityiskohtaisempaa tietoa laitteen jälkikäsitelystä, talteenotosta ja kierrätyksestä, ota yhteyttä paikallisiin kierrätysviranomaisiin tai kotitalouksien jätehuoltoon.

TÄRKEITÄ HUOMIOITA ENNEN KÄYTTÖÄ

Lue seuraavat tiedot huolellisesti ennen kuin käytät robottia tai sen lisävarusteita.

Älä pura robottia äläkä yritä korjata sitä itse. Mikäli laitteessa esiintyy vikoja, ota yhteyttä valtuutettuun Hooverin huoltopalveluun, jotta saat neuvontaa ammattilaisilta.

Portaat: Robotti käyttää antureita, joilla se välttää putoamisen askelmilta, portailta tai reunoilta. Joissain tilanteissa anturit voivat menettää tarkkuutensa.

Robotti ei havaitse askelmia, joiden korkeus on alle 8 cm. Alle 8 cm:n askelmat voivat saada robotin putoamaan. Jos saatavilla, aseta sovelluksesta alueet, joille pääsy on kielletty, tai aseta virtuaaliseinät robotin putoamisen estämiseksi.

Erittäin heijastavat tai tummat pinnat, joita käytetään joissain askelmissa tai portaissa, kuten lasi tai kiillotettu keramiikka, voivat aiheuttaa robotin putoamisen. Jos saatavilla, aseta sovelluksesta alueet, joille pääsy on kielletty tai aseta virtuaaliseinät tai aseta matto alemmalle askelmalle suojaamaan robottia putoamiselta.

Robottiin käyttöä tulisi välttää reunattomilla parvilla, porrastanteilla tai korotetuilla alueilla. Jos saatavilla, aseta sovelluksesta alueet, joille pääsy on kielletty, tai aseta virtuaaliseinät estääksesi robotin pääsyn näille alueille.

Akun käyttö: Robotti saa virtansa ladattavista, korkeasuoritteisista litiumioniakuista. Näillä ladattavilla akuilla on 6 kuukauden takuu, mikäli ne huolletaan ja niitä käytetään tämän käyttöoppaan mukaisesti.

Jos robotin suorituskyky on selkeästi heikentynyt, vaihtoakkuja voi hankkia Hoover-jälleenmyyjältä.

Käytä robotissa vain Hoover-hyväksytyjä varaosia. Osien, joita ei ole hyväksytty Hooverin puolesta, käyttö on vaarallista ja mitätöi takuun.

Käytä vain laitteen mukana toimitettua latausasemaa ja laturia robotin lataukseen. Väärin latausaseman tai laturin käyttö on vaarallista ja mitätöi takuun.

Taajuusalueet	2412 MHz to 2472 MHz
Taajuusalueella kuuluva enimmäisäänenvoimakkuus	802.11 b: +15.95 dBm 802.11 g: +14.91 dBm 802.11 n20: +13.78 dBm

Ympäristö

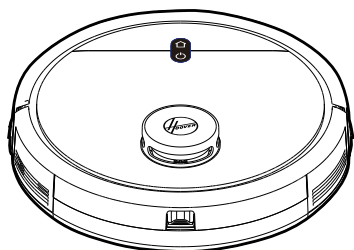
Tässä laitteessa oleva symboli osoittaa, että laitetta ei saa hävittää kotitalousjätteenä. Se täytyy luovuttaa sähkö- ja elektroniikkalaitteiden keräyspisteeseen kierrätystä varten. Hävittäminen on suoritettava paikallisten jätteiden hävittämistä koskevien ympäristösääntöjen mukaisesti. Saat lisätietoja tämän laitteen käsittelymisestä, hyötykäytöstä ja kierrätyksestä paikallisilta viranomaisilta, kotitalouksien ja muiden jätteiden jätehuollosta tai liikkeestä, josta ostit laitteen.



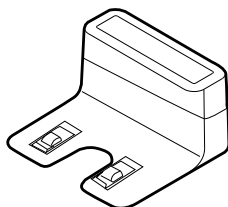
CE Tämä laite on EU:n direktiivien 2014/53/EU, 2014/30/EU ja 2011/65/EU mukainen. Vaatimustenmukaisuusvakuutuksesta voi pyytää kopion valmistajan verkkosivustolta: www.candy-group.com.

CANDY HOOVER GROUP Srl Via Privata Eden Fumagalli, 20861 Brugherio (MB) Italy

PAKKAUKSEN SISÄLTÖ



Robotti-imuri



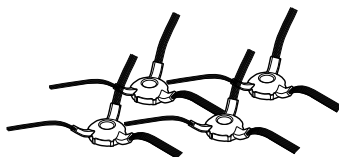
Latausalusta



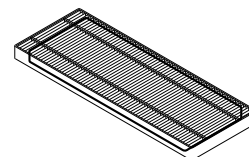
Käyttöohje



Laturi



X4 Sivuharja

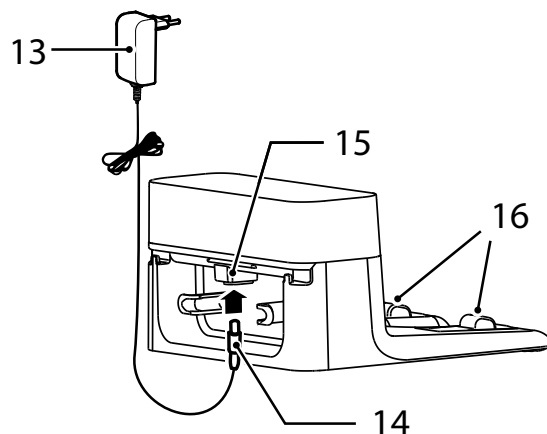
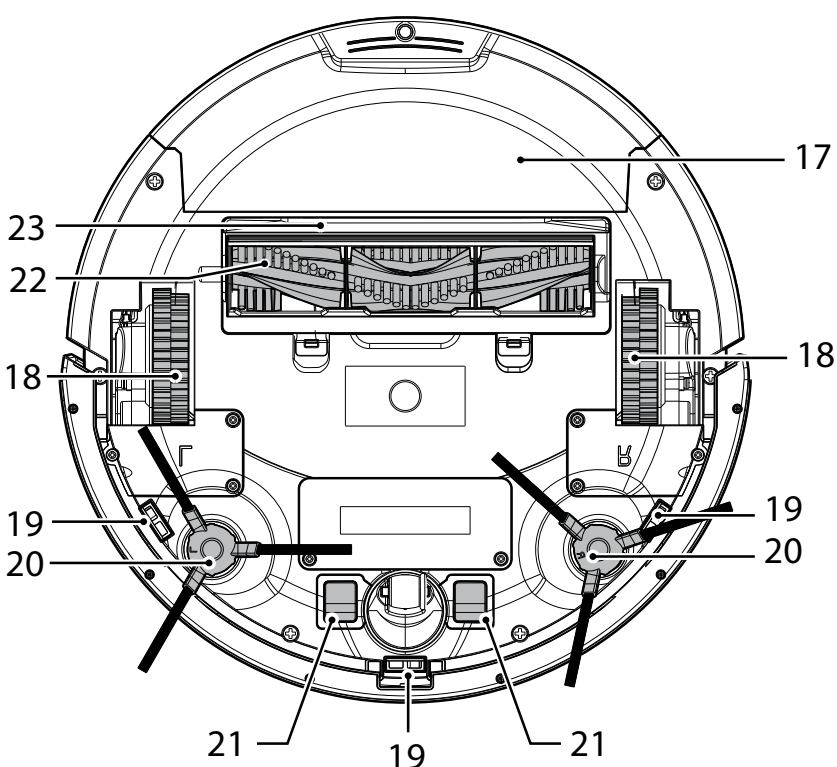
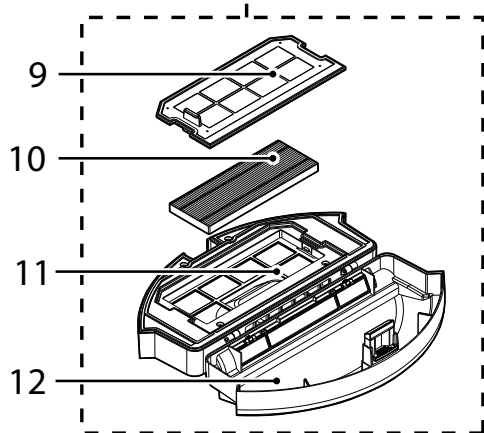
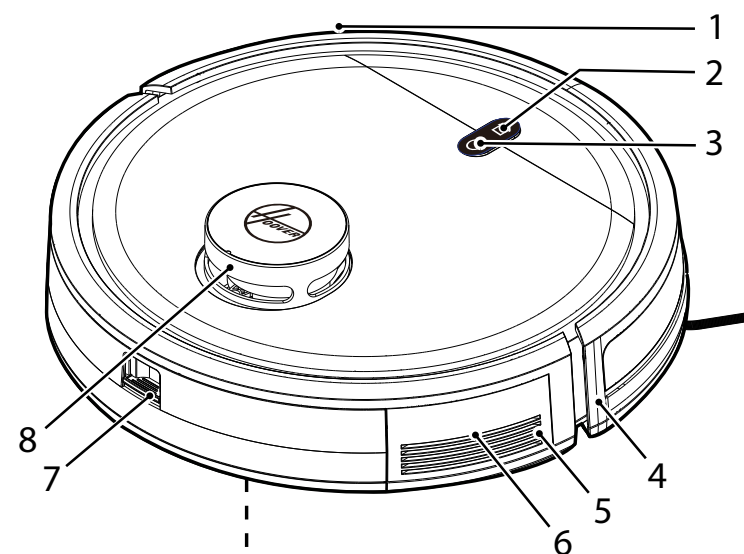


Lisäsuodatin robotille



Puhdistusharja

ROBOTTI-IMURIIN TUTUSTUMINEN



1	Etupuskuri
2	KOTI (latausalusta) -painike
3	Virtakatkaisin
4	Etuosan signaalivastaanotin
5	Kaiutin
6	Nollauspainike (punainen painike)
7	Pölysäiliön vapautuspainike
8	Lidar-torni
9	Suodatinverkko
10	EPA-suodatin
11	Pölysäiliön yläkansi
12	Pölysäiliön alakansi

13	Laturi
14	Laturin liitin
15	DC-liitäntä, latausasema
16	Laturin kosketuspisteet

17	Pölysäiliö
18	Ohjauspyörä
19	Putoamisenestoanturi
20	Sivuharja
21	Robotin latauksen kosketuspisteet
22	Mattoharja
23	Sekoittimen yläkansi

ROBOTTI-IMURIN VALMISTELEMINEN

PAKKAUS

Älä hävitä robotin pakkausta. Sitä saatetaan vaatia takuun voimassaoloa varten tulevaisuudessa. Kun robotti ja sen lisävarusteita puretaan pakkauksesta, muovipussit on pidettävä pois vauvojen, pienten lasten ja eläinten ulottuvilta, jotta vältetään tukehtumisriski.

Lataa imuria ennen ensimmäistä käyttöä vähintään 4-6 tuntia. **[Kuva 1]**

Älä altista robotin laturia alle 0 °C tai yli 30 °C lämpötiloille, jotteivät akut vahingoitu.

Laturi tulee olla kytkettynä vain normaaliin verkkovirtaan pistorasiasta.

AKKU

Akkujen parhaan suorituskyvyn ylläpitämiseksi on suositeltavaa pitää robotin akut täysin ladattuina.

Kun robotti ei ole käytössä, se tulee jättää latausasemaan. Robotissa on älykäs latausjärjestelmä. Tämä estää akkujen yllilatautumista.

Onnettomuuksien välttämiseksi on varmistettava, että jokainen huoneessa oleskeleva on tietoinen robotin läsnäolosta.

KODIN VALMISTELU

Ennen käyttöä poista esteet, jotka saattavat olla robotin tiellä. Kiinnitä huomiota:

- Esineisiin jotka voivat kaatua helposti.
- Mattojen tai räsymattojen reunoihin jotka voivat aiheuttaa kiinnijäämistä.
- Lattialle ulottuviin verhoihin tai pöytäliinoin.
- Lämmönlähteisiin tai syttyviin esineisiin.
- Virtajohtoihin.
- Särkyviin esineisiin.

LATAUSASEMAN ASETUKSET

1. Kytke verkkovirtasovitin ja yhdistä se latausalustaan. **[Kuva 2]**
2. Varmista, että virtajohto ei ole jäänyt latausalustan alle.
3. Aseta latausalusta ei-heijastavalle tasaiselle lattialle, mieluiten seinää vasten. Jos lattian pinta on liian heijastava, se haittaa robotin navigointijärjestelmää ja saattaa vaikeuttaa latausalustan paikallistamista.
4. Latausalustan ympäristössä ei tulisi olla mitään esineitä 2 metrin etäisyydellä suoraan edessä ja 1 metrin etäisyydellä sivuilla. **[Kuva 2]**
5. Varmista että virtajohto ei ole solmussa tai venytetty. Jos irrallista johtoa on paljon, käytä virtajohdon sitoja asettamaan se siististi paikoilleen.
6. Varmista, että pölysäiliö on asetettu oikein robottiin.
7. Paina reunapuhdistusharjat kiinnikkeisiin niin, että ne napsahtavat paikalleen. Kiinnitä huomiota sekä harjojen että laitteen merkintöihin L ja R. **[Kuva 3]**
8. Irrota sienet robotti-imurista. Aloita ohjaamalla robottisi latausalustaan. Normaalisissa käytössä täyteen lataus vie noin 4-5 tuntia.

AKUN LATAUS [Kuva 4]

Käynnistä robotti painamalla virtapainiketta pitkään 3–5 sekuntia; aseta se latausalustan eteen.

Paina robotin Koti (latausalusta) -painiketta ja varmista, että se liikkuu latausalustaan.

Akkujen parhaan suorituskyvyn ylläpitämiseksi on suositeltavaa pitää robotin akku täysin ladattuna.

Kun akku latautuu, virta- ja Koti (latausalusta) -painikkeet vilkkuvat valkoisina.

Jos akku on täyteen ladattu, valot eivät pala.

Automaattinen lataus

Jos robotin akkukapasiteetti on alhainen puhdistusistunnon aikana, robotti-imuri lopettaa puhdistamisen ja alkaa etsiä latausalustaa itsensä lataamiseksi.

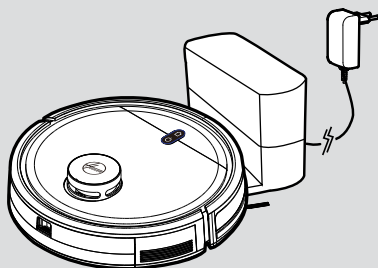
Kun robotti-imuri päättää puhdistuksen, se siirtyy automaattisesti lataustilaan ja se alkaa etsiä latausalustaa itsensä lataamiseksi.

HUOMAA: Varmista, että robotin latausliitännät ja latausasema eivät ole likaisia. Puhdista latausliitännät tarvittaessa.

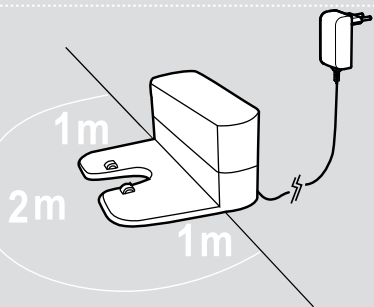
Jos robottia ei voi kytkeä päälle, koska sen virtataso on alhainen, vie robotti manuaalisesti latausasemaan sen lataamiseksi. Latausliitännät tulee kohdistaa oikein ja reunapuhdistusharja ei saa jäädä jumiin latausliitäntöjen väliin.

Akku

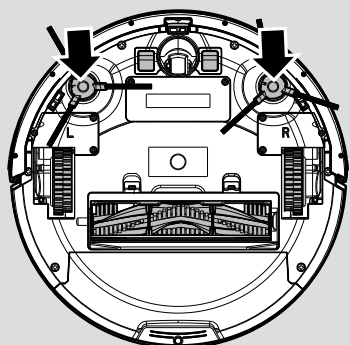
Ajan myötä robotin akun teho heikkenee ja se tulee vaihtaa. Vaihdeettava akku voidaan hankkia valtuutetulta Hoover-jälleenmyyjältä. Käytä vain alkuperäisiä Hooverin varaosia ja lisävarusteita.



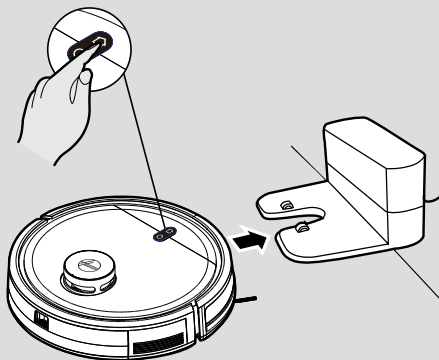
Kuva 1



Kuva 2



Kuva 3



Kuva 4

ROBOTTI-IMURIN KÄYTTÖ

• Koti (latausalusta) -painike

Lyhyt painallus: Lataus

Pitkä painallus: Sovellusliitântä

Merkkivalo:

Valkoinen valo vilkkuu: lataa

Valkoinen valo vilkkuu nopeasti: Sovellusliitântä

• Virtakatkaisin

Pitkä painallus: virta päällä (jos robotti on pois päältä)

Pitkä painallus: virta pois päältä (jos robotti on päällä)

Lyhyt painallus: käynnistä/pysäytä (jos robotti on lepotilassa)

Merkkivalo:

Sininen valo vilkkuu: valmiustila

Sininen valo palaa jatkuvasti: toimintatila

Sininen valo ei pala: lepotila

1. Robotin toimintaprosessi: lepotila > valmiustila > toimintatila

A. Lepotila: Kun robotti on valmiustilassa eikä se ole ollut toiminnassa 3 minuuttia, se siirtyy automaattisesti lepotilaan. Kun robotti on lepotilassa, painikkeen valo ei pala ja robotti on pysähdyksissä.

B. Valmiustila: Kun robotti on valmiustilassa, painikkeen valo vilkkuu sinisenä ja robotti on pysähdyksissä.

C. Toimintatila: Kun robotti on toiminnassa, painikkeen valo palaa aina sinisenä ja robotti on puhdistustilassa.

2. Pause (Tauko)

Pause tarkoittaa, että robotti kytketään toimintatilasta valmiustilaan. Tämä voidaan tehdä painamalla robotin virtapainiketta tai mobiilisovelluksen kautta.

Huomio! [Kuva 5]

Jos robotti on lepotilassa, paina robotin virtapainiketta kahdesti puhdistuksen aloittamiseksi. Jos robottia ei käytetä pitkään aikaan, robotti voidaan sammuttaa painamalla pitkään virtapainiketta. Jos robotti törmää, paina nollauspainiketta 2-3 sekuntia alle 2 mm:n neulalla sammutuksen pakottamiseksi.

SOVELLUKSEN LATAAMINEN JA YHDISTÄMINEN WIFILLÄ [Kuva 6]

Jotta voit hallita robotin toimintoja mistä vain, on suositeltavaa ladata HG5 APP-sovellus. Pystyt hallitsemaan robottia tehokkaimmalla tavalla.

1. Lataa HG5 APP App Storesta, Google Playsta tai APP Gallerysta.
2. Avaa sovellus, luo tili sähköpostiosoitteellasi ja salasanalla. Vahvista sisäänkirjautuminen.
3. Varmista, että mobiililaitteesi on yhdistetty verkkoon.
4. Napsauta sovelluksesta "lisää laite" ja noudata ohjeita parikytkennän tekemiseksi.

Varoitus

Wi-Fi-verkon nimi ei saa ylittää 32 merkkiä.

Jos liitântä epäonnistuu, tee alla kuvatut vaiheet tarkistaaksesi seuraavat:

- Varmista, että olet lisännyt WIFI-reitittimen salasanan oikein
- Varmista, että olet asettanut WiFi-verkkosi 2,4GHz taajuudelle
- Varmista, että robotti ei ole kaukana reitittimestä.

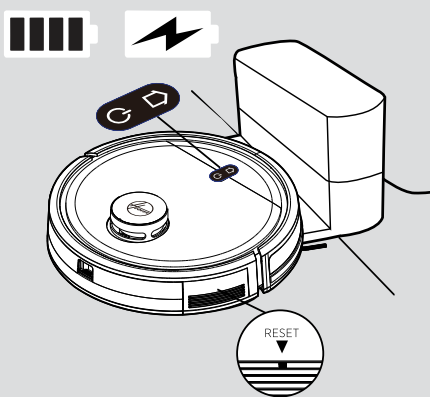
HG5 APP -SOVELLUKSELLA

Kun robotin parikytkentä on tehty, voit luoda kotisi kartan. Näin saat käyttöön robotin täysin räätälöitävissä olevat asetukset ja puhdistusaikataulut.

Napsauta robottikuvaketta siirtyäksesi karttasivulle. Muista poistaa kaikki esteet (johdot, sukat, kengät) lattialta ennen robotin päällekytkentää.

Paina robotin VIRTAPAINIKETTA, jotta robotti voi aloittaa asunnon kartoituksen. Näet, kuinka kartta luodaan aloitussivulla. Kun robotti on skannannut koko asunnon, näet koko kartan puhelimesi. Voit antaa jokaiselle huoneelle nimen, räätälöidä sen ja määrittää erityisen puhdistusaikataulun (imun tehotaso, moppaustaso, puhdistustaajuus jne.).

- Puhdistusaika: ilmoittaa viimeisen puhdistusistunnon keston
- Puhdistettu alue: ilmoittaa neliömetrit, jotka robotti on työstänyt viimeisimmän puhdistusistunnon aikana
- Akku: akun virtataso



Kuva 5



Kuva 6

- **VIRTA PÄÄLLE** (⏻)

Robotti aloittaa puhdistuksen käyttäen nykyisiä puhdistusasetuksia.

- **PALUU LATAUKSEEN** (🔌)

Robotti palaa latausalustaan.

* Kaikki muut kuvakkeet syttyvät ja ovat saatavilla vasta, kun virtapainiketta on painettu.

- **SIIRRY PAIKKAAN** (📍)

Valitse kartasta tietty kohta, johon robotti siirtyy ja jossa se aloittaa puhdistusistunnon nykyisten puhdistusasetusten mukaisesti.

- **VALITSE HUONE** (🏠)

Valitse kartasta tietty huone, johon robotti siirtyy ja jossa se aloittaa puhdistusistunnon huoneen puhdistusasetusten mukaisesti.

- **VALITSE ALUE** (📏)

Valitse kartasta tietty alue, johon robotti siirtyy ja jossa se aloittaa puhdistusistunnon nykyisten puhdistusasetusten mukaisesti.

- **ALUEET, JONNE PÄÄSY ON KIELLETTY** (🚫)

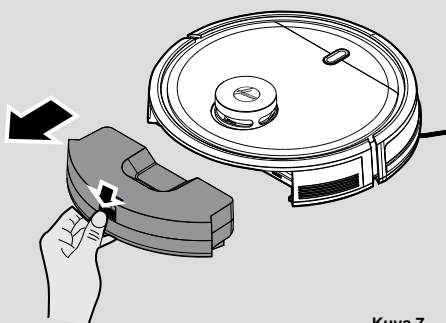
Määritä tietty alue, johon robotti ei saa mennä. Voit määrittää kielletyt alueet moppaukselle tai imuroinnille tai molemmille.

- **MUKAUTA** (🔧)

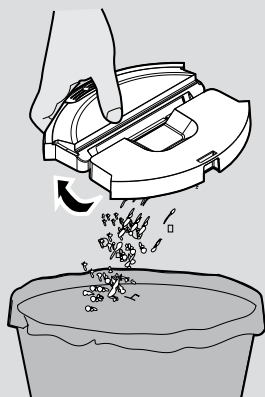
Mukauta kartan huoneet. Voit yhdistää tai erottaa huoneita, nollata koko kartan, nimetä huoneita uudelleen, asettaa kunkin huoneen puhdistusaikataulun, asettaa huoneiden puhdistusjärjestyksen.

- **ASETUKSET** (⋮)

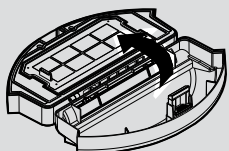
Robotin täydellinen asetusluettelo



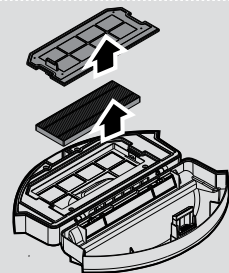
Kuva 7



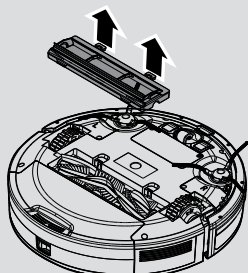
Kuva 8



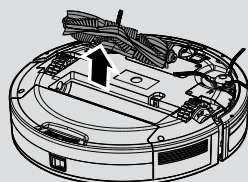
Kuva 9



Kuva 10



Kuva 11



Kuva 12

ROBOTIN PUHDISTUS

PÖLYSÄILIÖN TYHJENNYS

Ennen robotin huoltoa tulee varmistaa, että se on pois päältä.

1. Kytke robotti pois päältä ja irrota latausalustasta.
2. Käytä kuivaa liinaa puhdistaksesi kaikki pinnat. ÄLÄ päästä vettä laitteen osiin puhdistuksen aikana.

Imuroinnin jälkeen irrota pölysäiliö.

1. Paina vapautuspainiketta ja vedä se pois. [Kuva 7]
2. Tyhjennä pölysäiliö roska-astian päällä. [Kuva 8]
3. Käytä tarvittaessa puhdistusharjaa poistaaksesi pölyn pölysäiliön tai suodattimen sisäpinoilta.
4. Asenna pölysäiliö takaisin robottiin.

SUODATTIMIEN PUHDISTAMINEN

Robotti on varustettu moottorin esisuodattimella. Parhaimman puhdistustehon säilyttämiseksi puhdista suodatinkansi ja moottorin esisuodatin säännöllisesti. Ne tulee puhdistaa aina pölysäiliön viiden tyhjennyskerran jälkeen, niitä ei tarvitse pestä.

1. Irrota pölysäiliö imuroinnin jälkeen, paina vapautuspainiketta ja vedä se ulos. [Kuva 7]
2. Tyhjennä pölykasetti. [Kuva 8] Avaa pölysäiliö, irrota suodatinverkko ja suodatin yhdessä ja irrota sitten EPA-suodatin suodatinverkosta ja puhdista ne erikseen. Kokoonpano tehdään päinvastaisessa järjestyksessä; varmista, että suodatin asennetaan oikein. [Kuva 9,10]

TÄRKEÄÄ: Tarkista ja puhdista suodattimet säännöllisesti suodattimen huolto-ohjeiden mukaisesti.

Näin puhdistuskyky pysyy mahdollisimman hyvänä.

Jos suodatinverkko ja suodatin vahingoittuvat, ne pitää irrottaa ja vaihtaa viipymättä imurin moottorin vaurioitumisen välttämiseksi.

HARJAN PUHDISTAMINEN

Puhdista harja säännöllisesti, jotta sen suorituskyky pysyy mahdollisimman hyvänä.

1. Sammuta robotti ja käännä se ympäri.
2. Paina pohjan kiinnittimiä ja irrota harjan kansi. [Kuva 11]
3. Nosta harja tarttumalla harjan toiseen päähän. [Kuva 12]
4. Poista harjaan tarttuneet roskat ja harjaksissa oleva lika käyttämällä puhdistusharjaa. Älä löystyä kuulalaakerin kumiholkkia.
5. Laita puhdistuksen jälkeen harja ja harjan kansi takaisin robottiin.

Varovaisuus: Kaikki huoltotyöt on tehtävä vasta, kun pölysäiliö on irrotettu, jotta pölysäiliön sisältämä lika ei pääse vahingossa ulos.

SIVUHARJOJEN PUHDISTAMINEN

Kun reunaharjat likaantuvat, puhdista ne puhtaalla vedellä ja kuivaa ne ennen käyttöä; jos reunaharja on vioittunut eikä toimi normaalisti, vaihda se.

Huomio!

Kun vaihdat reunaharjat, kohdista harjan merkit "L" ja "R" robotin pohjan merkkeihin "L" ja "R".

OHJAUSPYÖRIEN PUHDISTAMINEN [Kuva 13]

1. Sammuta robotti ja käännä se ympäri.
2. Poista mahdollinen pyöriin kiinnittynyt lika tai karvat.
3. Puhdista pyörät kuivalla ja pehmeällä liinalla.

PUTOAMISENESTOANTURIN LINSSIN PUHDISTAMINEN [Kuva 14]

Putoamisenestoanturien säännöllinen puhdistus on suositeltavaa robotin parhaan suorituskyvyn takaamiseksi.

Robotin pohjassa on 3 anturia. Käännä robotti ylösalaisin ja puhdista ne kuivalla liinalla poistaaksesi kertyneen pölyn, lian ja kertymät.

AKUN VAIHTO [Kuva 15]

1. Irrota robotin pohjassa olevan akkukannen ruuvit ruuvimeisselin avulla.
2. Irrota paristojen kansi.
3. Irrota liitin ja poista akku lokeroista.
4. Laita lokeroon uusi akku ja kytke liitin uudelleen. Ole tarkkana liittimen ja johdinten oikean kohdistuksen suhteen. Kiinnitä akkukansi takaisin ja sulje se ruuveilla.
5. Kytke virta normaalin toiminnan tarkistamiseksi.

Huomio!

Kierrätä akut ympäristöystävällisellä tavalla saastumisen välttämiseksi.

TÄRKEÄ HUOMAUTUS

Asenna robottiin vain hyväksytyjä varaosia.

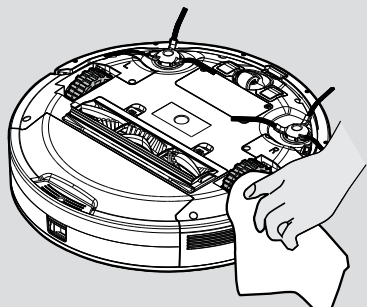
Varaosien, jotka eivät ole Hooverin hyväksymiä, käyttäminen on vaarallista ja mitätöi takuun.

Jos robottia ei käytetä useaan kuukauteen, poista akut ja säilytä viileässä, kuivassa paikassa.

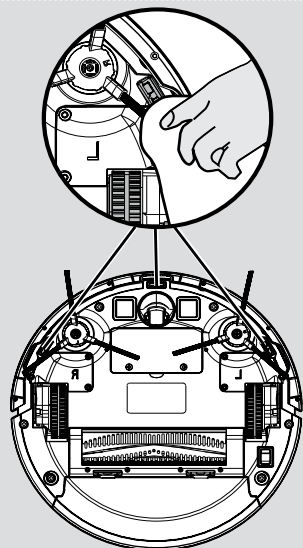
TÄRKEÄÄ: Varmista aina, että laitteesi on kytketty pois päältä ennen sen huoltamista. Käytä robotin nostamiseen ja kantamiseen aina kahta kättä ja varmista, että robotti pysyy vaakasuorassa. [Kuva 16]

Kun nostat robotti-imuria, älä tartu pölysäiliöön, jottei se aukea vahingossa. [Kuva 17]

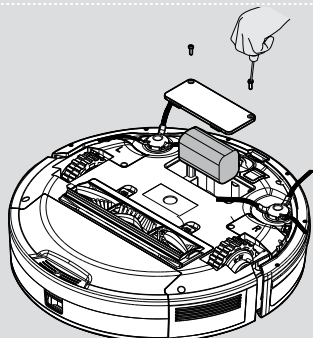
Vältä robotti-imurin käyttöä suorassa auringonvalossa tai tummilla kiillotetuilla pinnoilla, koska ne saattavat vaikuttaa haitallisesti robotin toimintaan.



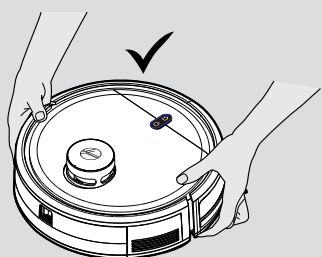
Kuva 13



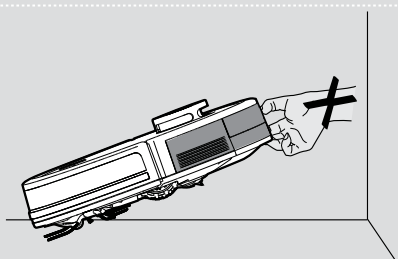
Kuva 14



Kuva 15



Kuva 16



Kuva 17

VIANMÄÄRITYS

Jos sinulla on ongelmia robotin kanssa, suorita seuraava yksinkertainen tarkistuslista ennen kuin soitat valtuutettuun Hoover-huoltoliikkeeseen.

• Robotti ei toimi, kun se on kytketty päälle

Virta- ja Koti-painikkeiden merkkivalo	Toimet
Valkoinen ja sininen vilkkuvat	Tarkista, että reunapuhdistusharjat ovat puhtaat ja oikein asennetut
	Tarkista, että harja on puhdas ja asetettu oikein
Valkoinen palaa	Tarkista, onko pölysäiliö asetettu oikein
Valkoinen ja sininen valo vilkkuvat	Tarkista, että pyörät ovat puhtaat ja toimivat
Sininen ja vaaleansininen valo vilkkuvat	Tarkista, että putoamisenestoanturit ja etupuskuri ovat puhtaat ja toimivat
Valkoinen vilkkuvat	Tarkista, että lidar-torni toimii

• Robotti ei lataudu automaattisesti

Varmista, ettei robotin ja latausalustan välissä ole esteitä ja ettei latausalustan edessä 2 metrin säteellä ja sivuilla 1 metrin säteellä ole mitään esineitä.

• Robotti on juuttunut kiinni

Robotti pyrkii vapauttamaan itse itsensä, mutta joissain tapauksissa tarvitaan manuaalista apua.

• Robotti pitää puhdistuksen aikana kovaa ääntä.

Puhdista pölysäiliö ja suodatin ja puhdista ja tarkista harja ja pyörät.

• Puhdistusteho on heikko

Puhdista pölysäiliö ja suodatin ja puhdista ja tarkista harja ja pyörät.

TÄRKEÄÄ TIETOA

HOOVER-VARAOSAT JA -TARVIKKEET

Käytä vain alkuperäisiä Hoover-varaosia. Niitä on saatavana paikalliselta Hoover-jälleenmyyjältä tai valtuutetusta huoltoliikkeestä. Mainitse varaosatilauksen yhteydessä laitteen tyyppinumero.

Laatu

Hooverin tehtaat on arvioitu laadun suhteen riippumattoman tahon toimesta. Tuotantoprosessimme täyttävät ISO 9001 -laatu järjestelmän vaatimukset.

TAKUU

Tämän laitteen takuehdot määrittelee sen maan Hoover-edustaja, josta laite on ostettu.

Yksityiskohtaiset tiedot näistä ehdoista saa laitteen myyneeltä jälleenmyyjältä. Tämän takuun mukaisia vaateita esittäessä on esitettävä myyntitodistus tai ostokuitti.

Oikeus muutoksiin pidätetään.

ΟΔΗΓΙΕΣ ΑΣΦΑΛΟΥΣ ΧΡΗΣΗΣ

Η συσκευή πρέπει να χρησιμοποιείται αποκλειστικά για οικιακή χρήση, σύμφωνα με τις οδηγίες χρήσης. Πριν δοκιμάσετε να χρησιμοποιήσετε τη συσκευή, βεβαιωθείτε ότι έχετε κατανοήσει τις οδηγίες που περιέχει ο οδηγός που κρατάτε στα χέρια σας.

Πριν από τον καθαρισμό της συσκευής ή οποιαδήποτε εργασία συντήρησης, να απενεργοποιείτε πάντα τη συσκευή και να βγάξετε το φορτιστή από την πρίζα.

Η χρήση της συσκευής από παιδιά άνω των 8 ετών, ηλικιωμένους και ΑΜΕΑ προϋποθέτει την παρουσία ενήλικα που θα φέρει την ευθύνη για την ασφαλείά τους. Η χρήση της συσκευής από άτομα που δεν έχουν εξοικειωθεί στη χρήση παρόμοιων συσκευών μπορεί να γίνει μόνο αφού γίνει κατανοητός ο κίνδυνος που ενέχει η χρήση της συσκευής. Μην αφήνετε τα παιδιά να παίζουν με τη συσκευή. Οι εργασίες καθαρισμού και συντήρησης της συσκευής δεν πρέπει να γίνονται από τα παιδιά χωρίς την επίβλεψη ενήλικα που θα φέρει την ευθύνη για την ασφαλείά τους.

Εάν το καλώδιο σύνδεσης με το δίκτυο παροχής εμφανίσει φθορές διακόψτε την λειτουργία της συσκευής αμέσως. Η αντικατάσταση του καλωδίου σύνδεσης με το δίκτυο ηλεκτρικής ενέργειας, πρέπει για λόγους ασφάλειας, να γίνεται αποκλειστικά από τεχνικό του δικτύου τεχνικής υποστήριξης Gias Service.

Αν ο χώρος για καθαρισμό έχει κάποιο μπαλκόνι ή σκάλες, πρέπει να χρησιμοποιήσετε κάποιο υπερυψωμένο φραγμό, για να αποτρέψετε την πρόσβαση στο μπαλκόνι ή τις σκάλες και να εξασφαλίσετε την ασφαλή λειτουργία. Τα μικρά παιδιά και τα κατοικίδια πρέπει να βρίσκονται υπό επίβλεψη όταν το Ρομπότ καθαρίζει.

Η συσκευή πρέπει να φυλάσσεται πάντοτε σε στεγασμένο χώρο. **Μην** κάνετε χρήση της συσκευής σε εξωτερικούς χώρους ή την εκθέτετε στα στοιχεία της φύσης, την υγρασία ή τις πηγές θέρμανσης (τον φούρνο της ηλεκτρικής κουζίνας, το τζάκι, το υγρό πάτωμα).

Μην εκθέτετε το ρομπότ ή τα παρελκόμενά του σε υπερβολική θερμότητα/ψύχος (Διατηρήστε το μεταξύ 0-30°C).

Μην αφήνετε το Ρομπότ να σας πέσει ή μην χρησιμοποιείτε κάποιο εξάρτημα που σας έπεσε, εμφάνισε βλάβη, αφέθηκε σε εξωτερικούς χώρους ή έπεσε στο νερό.

Μην τραβάτε το καλώδιο παροχής για να αποσυνδέσετε τον φορτιστή από το δίκτυο.

Μην χρησιμοποιείτε τη συσκευή για να καθαρίζετε σκάλες.

Φόρτιση μπαταριών

Χρησιμοποιείτε μόνο τον αυθεντικό φορτιστή που παρέχεται με τη συσκευή.

Ελέγξτε ότι η τάση τροφοδοσίας είναι η ίδια με αυτή που αναγράφεται στο φορτιστή.

Μην φορτίζετε ποτέ τις μπαταρίες σε θερμοκρασίες πάνω από 30°C ή κάτω από 0°C.

Συνδέστε το φορτιστή που παρέχεται με τη συσκευή σε μια κατάλληλη πρίζα.

Μπορεί να παρουσιαστεί διαρροή σε στοιχεία των μπαταριών λόγω υπερβολικής χρήσης ή ακραίων συνθηκών θερμοκρασίας. Αν το υγρό έρθει σε επαφή με το δέρμα, ξεπλύνετε γρήγορα με νερό. Αν το υγρό έρθει σε επαφή με τα μάτια, πλύνετε τα μάτια αμέσως με καθαρό νερό για τουλάχιστον 10 λεπτά. Αναζητήστε ιατρική φροντίδα.

Κατά την διάρκεια της φόρτισης ο φορτιστής θερμαίνεται.

Χρησιμοποιείτε αποκλειστικά τα εξαρτήματα, αναλώσιμα ή ανταλλακτικά που συνιστώνται ή διατίθενται από τη Hoover.

Μην συλλέγετε σκληρά ή αιχμηρά αντικείμενα, σπέρτα, καυτή στάχτη, αποσίγαρα ή άλλα παρόμοια αντικείμενα.

Μην ψεκάζετε ή συλλέγετε εύφλεκτα υγρά, καθαριστικά υγρά, αερολύματα ή άλλους ατμούς.

Μην συνεχίσετε να χρησιμοποιείτε τη συσκευή ή το φορτιστή εάν παρουσιάζουν βλάβη.

Τεχνική Υποστήριξη Hoover: Για τις εργασίες συντήρησης ή αποκατάστασης κακής λειτουργίας ή βλάβης πρέπει να απευθύνεστε αποκλειστικά στα κέντρα τεχνικής υποστήριξης Hoover, έτσι εξασφαλίζετε την ασφαλή και αποτελεσματική λειτουργία της συσκευής.

Μην χρησιμοποιείτε τη συσκευή για τον καθαρισμό ζώων ή ανθρώπων.

Μην αντικαθιστάτε τις μπαταρίες του ρομπότ με μη επαναφορτιζόμενες μπαταρίες.

Εάν δεν πρόκειται να χρησιμοποιήσετε το ρομπότ για μεγάλο χρονικό διάστημα (αρκετές εβδομάδες), αποσυνδέστε τον φορτιστή από το δίκτυο ηλεκτρικής ενέργειας.

Αφαίρεση των μπαταριών στο τέλος της διάρκειας ζωής τους

Εάν η συσκευή πρόκειται να απορριφθεί, πρώτα πρέπει να αφαιρεθούν οι μπαταρίες. Η συσκευή πρέπει να αποσυνδεθεί από το ηλεκτρικό ρεύμα κατά την αφαίρεση των μπαταριών. Απορρίψτε τις μπαταρίες με ασφαλή τρόπο. Αφήστε τη συσκευή να λειτουργεί μέχρι να σταματήσει λόγω πλήρους αποφόρτισης των μπαταριών. Οι χρησιμοποιημένες μπαταρίες πρέπει να προσκομίζονται σε σημείο ανακύκλωσης και δεν πρέπει να απορρίπτονται με τα οικιακά απορρίμματα. Για να αφαιρέσετε τις μπαταρίες, επικοινωνήστε με το κέντρο εξυπηρέτησης πελατών της Hoover ή ακολουθήστε τις παρακάτω οδηγίες.

Βγάλτε τον φορτιστή από την πρίζα και σβήστε το Ρομπότ. Αναποδογυρίστε το ρομπότ και τοποθετήστε το σε επίπεδη επιφάνεια. Βγάλτε τις βίδες και το κάλυμμα του χώρου μπαταριών. Αφαιρέστε την μπαταρία.

ΣΗΜΕΙΩΣΗ: Εάν συναντήσετε δυσκολίες κατά την αποσυναρμολόγηση της μονάδας ή για περισσότερες πληροφορίες για την διαδικασία ανάκτησης ή ανακύκλωσης της, επικοινωνήστε με την δημοτική αρχή ή την υπηρεσία συλλογής οικιακών απορριμμάτων.

ΣΗΜΑΝΤΙΚΕΣ ΣΗΜΕΙΩΣΕΙΣ ΠΡΙΝ ΤΗ ΧΡΗΣΗ

Διαβάστε προσεκτικά τις ακόλουθες πληροφορίες πριν χρησιμοποιήσετε το ρομπότ ή τα αξεσουάρ του.

Μην αποσυναρμολογείτε το Ρομπότ και μην προσπαθείτε να το επισκευάσετε μόνοι σας. Αν παρουσιαστεί βλάβη, επικοινωνήστε με το Τμήμα εξυπηρέτησης πελατών της Hoover για να λάβετε επαγγελματικές συμβουλές.

Σκάλες: Το ρομπότ χρησιμοποιεί αισθητήρες για την αποφυγή πτώσης σε σκαλοπάτια, σκάλες ή σε άκρες. Σε μερικές περιπτώσεις οι αισθητήρες μπορεί να μπερδευτούν. Το ρομπότ δεν μπορεί να ανιχνεύσει σκαλοπάτια με ύψος μικρότερο από 8cm. Σκαλιά χαμηλότερα από 8cm ενδεχομένως να προκαλέσουν την πτώση του ρομπότ. Εάν είναι διαθέσιμο, ορίστε περιοχές απαγόρευσης ή εικονικούς τοίχους μέσω της εφαρμογής για να προστατεύσετε το ρομπότ σας από πτώση.

Οι πολύ γυαλιστερές ή πολύ σκούρες επιφάνειες που χρησιμοποιούνται σε μερικά σκαλοπάτια ή σκάλες, όπως γυάλινες ή γυαλισμένες κεραμικές επιφάνειες, μπορούν να προκαλέσουν πτώση του ρομπότ. Εάν είναι διαθέσιμο, ορίστε περιοχές απαγόρευσης ή εικονικούς τοίχους μέσω της εφαρμογής ή τοποθετήστε ένα χαλί στο κάτω σκαλοπάτι για να προστατεύσετε το ρομπότ σας από πτώση.

Η χρήση του ρομπότ σε ημιόροφοις, κεφαλόσκαλα ή ανυψωμένες επιφάνειες χωρίς στηθαία πρέπει να αποφεύγεται. Εάν είναι διαθέσιμο, ορίστε περιοχές απαγόρευσης ή εικονικούς τοίχους μέσω της εφαρμογής για να αποτρέψετε την είσοδο του ρομπότ σας σε αυτές τις περιοχές.

Χρήση μπαταρίας: Το ρομπότ τροφοδοτείται από επαναφορτιζόμενες μπαταρίες ιόντων λιθίου υψηλής απόδοσης. Αυτές οι επαναφορτιζόμενες μπαταρίες συνοδεύονται από εγγύηση για χρονική περίοδο 6 μηνών εφόσον συντηρούνται και λειτουργούν σύμφωνα με το παρόν εγχειρίδιο χρήσης.

Σε περίπτωση σημαντικής μείωσης της απόδοσης του ρομπότ, μπορείτε να προμηθευτείτε μπαταρίες αντικατάστασης από το κατάστημα πώλησης συσκευών Hoover της περιοχής σας.

Για το ρομπότ σας, χρησιμοποιείτε αποκλειστικά γνήσια ανταλλακτικά Hoover. Η χρήση μη γνήσιων ανταλλακτικών Hoover εγκυμονεί κίνδυνο και μπορεί να επιφέρει ακύρωση της εγγύησης που συνοδεύει τη συσκευή.

Χρησιμοποιήστε μόνο τον παρεχόμενο σταθμό φόρτισης και το τροφοδοτικό για να επαναφορτίσετε το ρομπότ σας. Η χρήση ακατάλληλου σταθμού φόρτισης ή τροφοδοτικού ηλεκτρικού δικτύου είναι επικίνδυνη και θέτει αμέσως εκτός ισχύος την εγγύηση.

Ζώνες συχνότητας	2412 MHz to 2472 MHz
Μέγιστη ισχύς ραδιοσυχνότητας που μεταδίδεται στη ζώνη συχνότητων.	802.11 b: +15.95 dBm 802.11 g: +14.91 dBm 802.11 n20: +13.78 dBm

Περιβάλλον

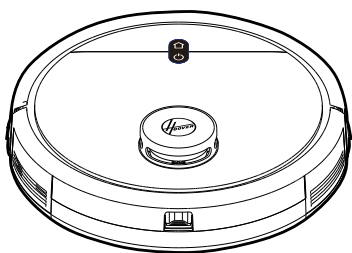
Το σύμβολο πάνω σε αυτή τη συσκευή υποδεικνύει ότι αυτή η συσκευή δεν μπορεί να αντιμετωπιστεί σαν κοινό οικιακό απόρριμμα. Αντίθετα, πρέπει να παραδοθεί στο πλησιέστερο κέντρο συλλογής για την ανακύκλωση ηλεκτρικού και ηλεκτρονικού εξοπλισμού. Η απόρριψη της συσκευής πρέπει να γίνει σύμφωνα με την ισχύουσα κατά τόπο νομοθεσία για την απόρριψη ηλεκτρονικών και ηλεκτρικών αποβλήτων. Για πιο λεπτομερείς πληροφορίες σχετικά με την επεξεργασία, την ανάκτηση και την ανακύκλωση αυτής της συσκευής, επικοινωνήστε με την κατά τόπους αρμόδια αρχή, την υπηρεσία αποκομιδής οικιακών απορριμμάτων ή το κατάστημα από το οποίο αγοράσατε τη συσκευή.



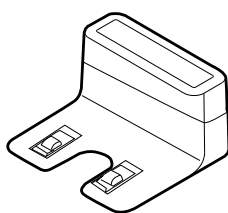
CE Αυτή η συσκευή συμμορφώνεται με τις Ευρωπαϊκές Οδηγίες 2014/53/EE, 2014/30/EE και 2011/65/EE. Για να λάβετε ένα αντίγραφο της δήλωσης συμμόρφωσης, παρακαλώ επικοινωνήστε με τον κατασκευαστή στον ιστότοπο www.candy-group.com

CANDY HOOVER GROUP Srl Via Privata Eden Fumagalli, 20861 Brugherio (MB) Italy

ΠΕΡΙΕΧΟΜΕΝΑ ΤΟΥ ΚΟΥΤΙΟΥ



Σκούπα ρομπότ



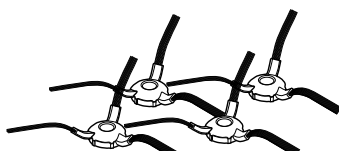
Φορτιστής



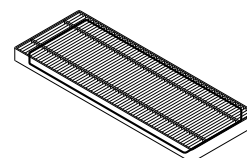
Οδηγίες χρήσης



Μετασχηματιστής ρεύματος



Βούρτσα καθαρισμού άκρων X4

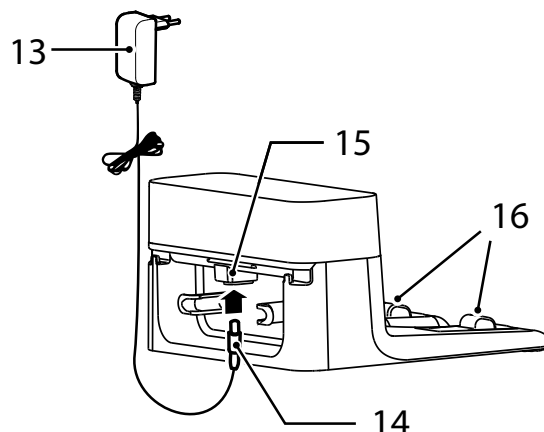
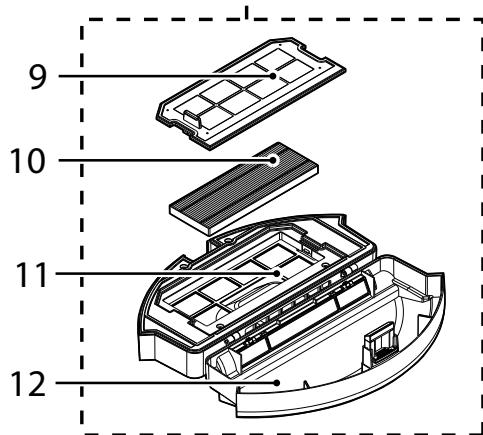
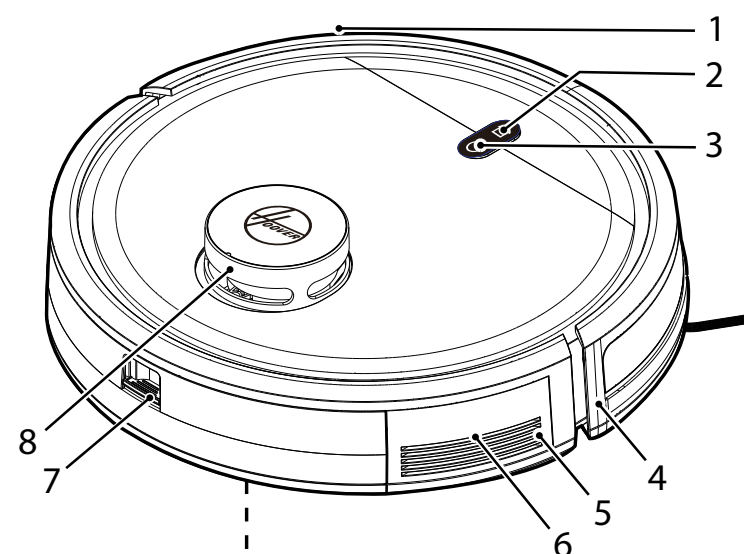


Πρόσθετο φίλτρο για ρομπότ



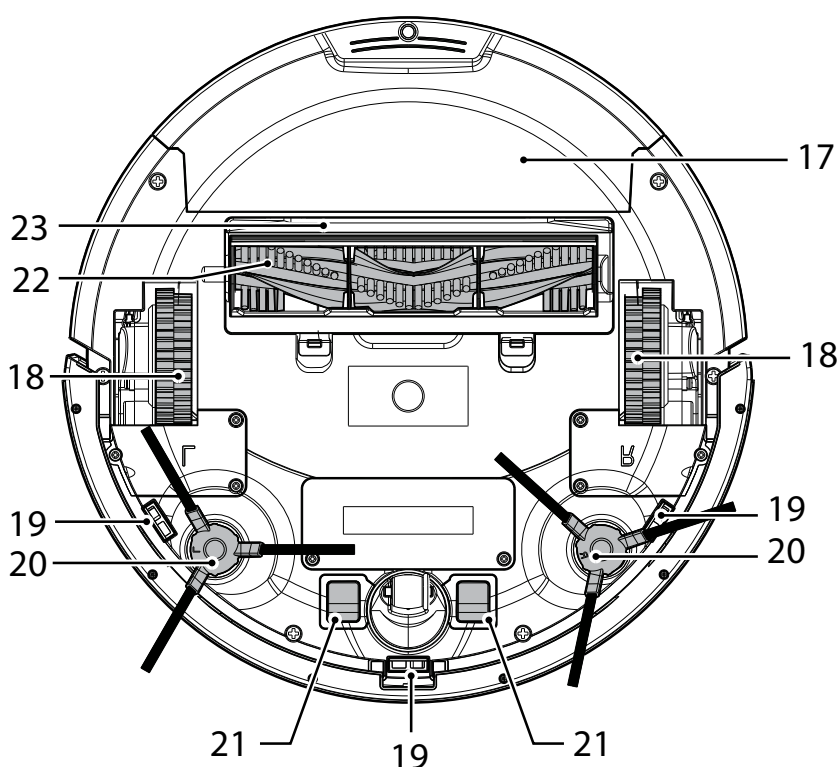
Βούρτσα καθαρισμού

ΕΞΟΙΚΕΙΩΣΗ ΜΕ ΤΗ ΣΚΟΥΠΑ ΡΟΜΠΟΤ



1	Εμπρόςπροσθιος προφυλακτήρας
2	Κουμπί HOME (Βάση φορτιστή).
3	Κουμπί λειτουργίας On / Off
4	Εμπρόςπροσθιος δέκτης σήματος
5	Ηχείο
6	Κουμπί επαναφοράς (κόκκινο κουμπί)
7	Πλήκτρο απελευθέρωσης δοχείου σκόνης
8	Πύργος Lidar
9	Πλέγμα φίλτρου
10	Φίλτρο EPA
11	Επάνω κάλυμμα Δοχείου Σκόνης
12	Κάτω κάλυμμα δοχείου σκόνης

13	Μετασχηματιστής ρεύματος
14	Βύσμα παροχής ρεύματος
15	Βύσμα DC, Βάση φορτιστή
16	Επαφές φορτιστή



17	Δοχείο συλλογής σκόνης
18	Τροχός οδήγησης
19	Αισθητήρας κατά της πτώσης
20	Βούρτσα καθαρισμού ακρών
21	Επαφές Φόρτισης Ρομπότ
22	Αναδευτήρας
23	Επάνω κάλυμμα αναδευτήρα

ΠΡΟΕΤΟΙΜΑΣΙΑ ΤΗΣ ΣΚΟΥΠΑΣ ΡΟΜΠΟΤ

ΣΥΣΚΕΥΑΣΙΑ

Μην απορρίψετε τη συσκευασία του ρομπότ. Μπορεί να χρειαστεί για την ισχύ της εγγύησης σας στο μέλλον. Όταν αφαιρείτε τη συσκευασία του ρομπότ και των αξεσουάρ του, κρατήστε τις πλαστικές σακούλες μακριά από μωρά, μικρά παιδιά και ζώα για την αποφυγή του κινδύνου ασφυξίας.

Πριν λειτουργήσετε τη συσκευή για πρώτη φορά, πρέπει να την φορτίσετε για 4-6 ώρες. **[Εικ. 1]**

Μην εκθέτετε τον φορτιστή του ρομπότ σε θερμοκρασίες κάτω από 0°C ή πάνω από 30°C καθώς αυτό μπορεί να προκαλέσει ζημιά στην μπαταρία.

Ο μετασχηματιστής ρεύματος πρέπει να συνδέεται μόνο σε μια τυπική πρίζα παροχής ρεύματος

ΜΠΑΤΑΡΙΑ

Για τη βέλτιστη απόδοση των μπαταριών συνιστάται να διατηρείτε τις μπαταρίες του ρομπότ πλήρως φορτισμένες.

Όταν το ρομπότ δεν χρησιμοποιείται, θα πρέπει να το αφήνετε συνδεδεμένο στη βάση του φορτιστή. Το ρομπότ διαθέτει ένα έξυπνο σύστημα φόρτισης. Αυτό αποτρέπει την υπερβολική φόρτιση των μπαταριών. Για την αποφυγή ατυχημάτων, βεβαιωθείτε ότι όλα τα άτομα στον χώρο γνωρίζουν για την παρουσία του ρομπότ.

ΕΤΟΙΜΑΣΤΕ ΤΟ ΣΠΙΤΙ ΣΑΣ

Πριν από τη χρήση, αφαιρέστε τα εμπόδια που μπορεί να βρεθούν στη διαδρομή του ρομπότ. Προσέξτε:

- Τα αντικείμενα που μπορούν να ανατραπούν εύκολα.
- Τις άκρες των χαλιών ή των μικρών χαλιών στις οποίες μπορεί να πιαστεί.
- Τις κουρτίνες που φθάνουν μέχρι το πάτωμα και τα τραπεζομάντιλα
- Τις πηγές θερμότητας ή τα εύφλεκτα αντικείμενα.
- Τα καλώδια τροφοδοσίας ρεύματος και άλλα καλώδια.
- Τα εύθραυστα αντικείμενα

ΡΥΘΜΙΣΗ ΣΤΑΘΜΟΥ ΦΟΡΤΙΣΗΣ

1. Συνδέστε το τροφοδοτικό και συνδέστε το στη βάση φορτιστή. **[Εικ. 2]**
2. Βεβαιωθείτε ότι το καλώδιο τροφοδοσίας δεν έχει πιαστεί κάτω από τη βάση φορτιστή.
3. Τοποθετήστε τη βάση φορτιστή σε μη ανακλαστικό επίπεδο δάπεδο, κατά προτίμηση σε τοίχο. Εάν η επιφάνεια του δαπέδου είναι πολύ ανακλαστική, θα επηρεάσει το σύστημα πλοήγησης του Robot και ενδέχεται να δυσκολευτεί να εντοπίσει τη βάση του φορτιστή.
4. Δεν πρέπει να υπάρχει κανένα αντικείμενο στην περιοχή γύρω από τη βάση φορτιστή για 2 μέτρα μπροστά και 1 μέτρο σε κάθε πλευρά. **[Εικ. 2]**
5. Βεβαιωθείτε ότι το ηλεκτρικό καλώδιο δεν έχει μπλεχτεί ή τεντωθεί. Εάν περισσεύει, χρησιμοποιήστε τον διαδέκτη του καλωδίου τροφοδοσίας για το μαζέψετε προσεκτικά.
6. Ελέγξτε ότι το δοχείο σκόνης έχει τοποθετηθεί σωστά στο ρομπότ
7. Πιέστε τις δύο βούρτσες καθαρισμού άκρων πάνω στα στηρίγματα μέχρι να κουμπώσουν στη θέση τους. Προσέξτε τις ενδείξεις L και R στη συσκευή καθώς και στις βούρτσες. **[Εικ. 3]**
8. Αφαιρέστε τα σφουγγάρια από τη σκούπα ρομπότ. Οδηγήστε το ρομπότ σας στη βάση φορτιστή για να ξεκινήσετε. Κατά την κανονική χρήση, απαιτούνται περίπου 4 με 5 ώρες για να ολοκληρωθεί η πλήρης φόρτιση.

ΦΟΡΤΙΣΗ ΤΗΣ ΜΠΑΤΑΡΙΑΣ [Εικ. 4]

Πατήστε παρατεταμένα το κουμπί ON/OFF του ρομπότ για 3 έως 5 δευτερόλεπτα για να ενεργοποιήσετε το ρομπότ, τοποθετήστε το μπροστά από τη βάση του φορτιστή.

Πατήστε το κουμπί Home (Βάση Φορτιστή) στο ρομπότ, βεβαιωθείτε ότι μετακινείται στη βάση του φορτιστή. Για τη βέλτιστη απόδοση της μπαταρίας συνιστάται να διατηρείτε τις μπαταρίες του ρομπότ πλήρως φορτισμένες.

Όταν η μπαταρία φορτίζεται, τα κουμπιά ON/OFF και Home (Βάση φόρτισης) θα αναβοσβήνουν με λευκό χρώμα.

Εάν η μπαταρία είναι πλήρως φορτισμένη, τα φώτα είναι ΣΒΗΣΤΑ.

Αυτόματη φόρτιση

Εάν η χωρητικότητα της μπαταρίας του ρομπότ είναι χαμηλή κατά τη διάρκεια της συνεδρίας καθαρισμού, το καθαριστικό ρομπότ θα σταματήσει να καθαρίζει και θα αρχίσει να αναζητά τη βάση του φορτιστή για να φορτιστεί μόνο του.

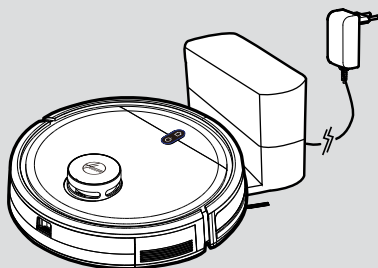
Όταν η σκούπα ρομπότ ολοκληρώσει τη συνεδρία καθαρισμού, θα μπει αυτόματα σε λειτουργία επαναφόρτισης και θα αρχίσει να αναζητά τη βάση του φορτιστή για να φορτιστεί μόνο του.

ΣΗΜΕΙΩΣΗ: Βεβαιωθείτε ότι οι Επαφές Φόρτισης του ρομπότ και της βάσης του φορτιστή δεν είναι βρώμικες. Καθαρίστε τις επαφές φόρτισης εάν χρειάζεται.

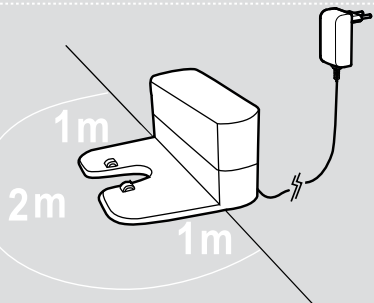
Εάν το ρομπότ δεν μπορεί να ενεργοποιηθεί λόγω χαμηλής ισχύος, μετακινήστε το ρομπότ με τα χέρια στη βάση φόρτισης. Οι επαφές φόρτισης θα πρέπει να είναι ευθυγραμμισμένες και η βούρτσα καθαρισμού άκρων δεν πρέπει να έχει κολλήσει ανάμεσα στις επαφές φόρτισης.

Μπαταρία

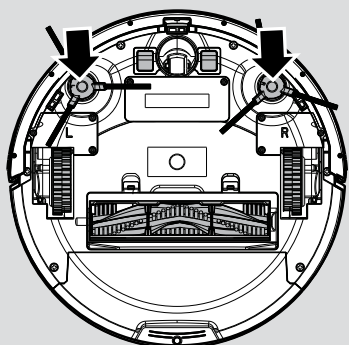
Με την πάροδο του χρόνου η χωρητικότητα της μπαταρίας ρομπότ σας θα μειωθεί και θα πρέπει να αντικατασταθεί. Μπορείτε να αγοράσετε μια μπαταρία αντικατάστασης από έναν εγκεκριμένο αντιπρόσωπο της Hoover. Χρησιμοποιείτε μόνο γνήσια ανταλλακτικά και αξεσουάρ Hoover.



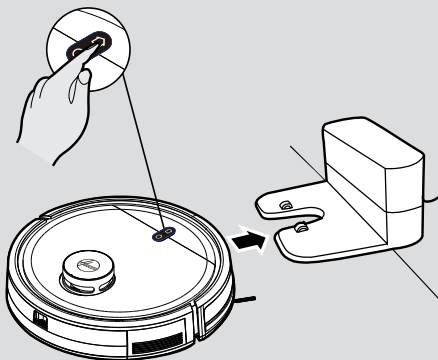
Εικ. 1



Εικ. 2



Εικ. 3



Εικ. 4

ΧΡΗΣΗ ΤΟΥ ΡΟΜΠΟΤ

• Κουμπί HOME (Βάση φορτιστή).

Σύντομο πάτημα: Επαναφόρτιση

Παρατεταμένο πάτημα: Σύνδεση εφαρμογής

Φωτεινή ένδειξη:

Λευκό φως που αναβοσβήνει: φόρτιση

Λευκό φως που αναβοσβήνει γρήγορα: Σύνδεση εφαρμογής

• Κουμπί λειτουργίας On / Off

Παρατεταμένο πάτημα: ενεργοποίηση (αν το ρομπότ είναι απενεργοποιημένο)

Παρατεταμένο πάτημα: απενεργοποίηση (αν το ρομπότ είναι ενεργοποιημένο)

Σύντομο πάτημα: έναρξη/παύση (αν το ρομπότ βρίσκεται σε κατάσταση αναστολής λειτουργίας)

Φωτεινή ένδειξη:

Μπλε φως που αναβοσβήνει: κατάσταση αναμονής

Το μπλε φως είναι πάντα αναμμένο: κατάσταση λειτουργίας

Μπλε φως σβηστό: λειτουργία ύπνου

1. Η διαδικασία λειτουργίας του ρομπότ: λειτουργία ύπνου, sleep mode > κατάσταση αναμονής > κατάσταση λειτουργίας

A. Κατάσταση ύπνου: Όταν το ρομπότ βρίσκεται σε κατάσταση αναμονής και δεν λειτουργεί για 3 λεπτά, θα μπει αυτόματα σε κατάσταση ύπνου. Όταν το ρομπότ βρίσκεται σε κατάσταση ύπνου, η φωτεινή ένδειξη του κουμπιού είναι σβηστή και το ρομπότ είναι ακίνητο.

B. Κατάσταση αναμονής: Όταν το ρομπότ βρίσκεται σε κατάσταση αναμονής, η φωτεινή ένδειξη αναβοσβήνει μπλε και το ρομπότ είναι ακίνητο.

C. Κατάσταση λειτουργίας Όταν το ρομπότ λειτουργεί, η φωτεινή ένδειξη είναι πάντα αναμμένη με μπλε και το ρομπότ βρίσκεται σε λειτουργία καθαρισμού.

2. Παυση (Pause)

Η παύση σημαίνει ότι το ρομπότ μπαίνει από την κατάσταση λειτουργίας στην κατάσταση αναμονής. Αυτό μπορεί να γίνει πατώντας το κουμπί «on/off» στο ρομπότ ή μέσω της εφαρμογής για κινητά.

Προσοχή! [Εικ. 5]

Εάν το ρομπότ βρίσκεται σε κατάσταση ύπνου, πατήστε το κουμπί «ON/OFF» στο ρομπότ δύο φορές για να ξεκινήσει ο καθαρισμός.

Εάν δεν χρησιμοποιείτε το ρομπότ για μεγάλο χρονικό διάστημα, πατήστε παρατεταμένα το κουμπί «ON/OFF» για να το απενεργοποιήσετε. Όταν το ρομπότ συγκρουστεί, πατήστε το κουμπί Επαναφορά για 2-3 δευτερόλεπτα με μια βελόνα μικρότερη από 2 χιλιοστά για να το κλείσετε.

ΛΗΨΗ ΕΦΑΡΜΟΓΗΣ ΚΑΙ ΣΥΝΔΕΣΗ ΜΕΣΩ ΤΟΥ WIFI [Εικ. 6]

Για να έχετε διαθέσιμες όλες τις λειτουργίες του Ρομπότ από οπουδήποτε, προτείνεται να κατεβάσετε την εφαρμογή HG5. Θα μπορείτε να ελέγχετε το ρομπότ με τον πιο αποτελεσματικό τρόπο.

1. Κατεβάστε την ΕΦΑΡΜΟΓΗ "HG5" από το App Store, το Google Play ή το APP Gallery.
2. Ανοίξτε την ΕΦΑΡΜΟΓΗ, δημιουργήστε έναν λογαριασμό με το email σας και έναν κωδικό πρόσβασης. Επιβεβαιώστε τη σύνδεση.
3. Βεβαιωθείτε ότι η κινητή συσκευή σας είναι συνδεδεμένη σε Wi-Fi.
4. Κάντε κλικ στην "προσθήκη συσκευής" στην ΕΦΑΡΜΟΓΗ, ακολουθήστε τις οδηγίες για να ολοκληρώσετε τη σύζευξη.

ΠΡΟΣΟΧΗ

Το όνομα WiFi δεν μπορεί να υπερβαίνει τους 32 χαρακτήρες.

Εάν η σύνδεση αποτύχει, ακολουθήστε τα παρακάτω βήματα για να ελέγξετε:

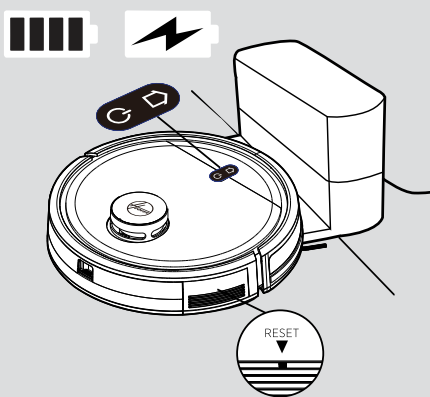
- Βεβαιωθείτε ότι έχετε εισαγάγει σωστό κωδικό πρόσβασης WIFI του ρούτερ
- Βεβαιωθείτε ότι έχετε ρυθμίσει το δίκτυο WiFi στα 2,4 GHz
- Βεβαιωθείτε ότι το ρομπότ δεν απέχει πολύ από το ρούτερ.

ΜΕ ΕΦΑΡΜΟΓΗ HG5

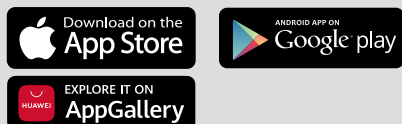
Αφού συνδέσετε επιτυχώς το ρομπότ σας, μπορείτε να δημιουργήσετε τον χάρτη του σπιτιού σας. Αυτό θα σας επιτρέψει να έχετε πρόσβαση σε πλήρως προσαρμοσμένες ρυθμίσεις και προγράμματα καθαρισμού του ρομπότ σας.

Κάντε κλικ στο εικονίδιο Robot για να μπειτε στη σελίδα του χάρτη. Θυμηθείτε να αφαιρέσετε οποιοδήποτε εμπόδιο στο πάτωμα (καλώδια, κάλτσες, παπούτσια) πριν ενεργοποιήσετε το ρομπότ. Κάντε κλικ στο κουμπί POWER ON για να αφήσετε το ρομπότ να αρχίσει να χαρτογραφεί το διαμέρισμά σας. Θα δείτε τον χάρτη να δημιουργείται στην αρχική σας σελίδα. Μόλις το ρομπότ σαρώσει ολόκληρο το διαμέρισμά σας, θα δείτε τον πλήρη χάρτη στο τηλέφωνό σας. Μπορείτε να δώσετε ένα όνομα σε κάθε δωμάτιο, να το προσαρμόσετε και να ορίσετε ένα ειδικό πρόγραμμα καθαρισμού (επίπεδο ισχύος αναρρόφησης, επίπεδο σφουγγαρίσματος, συχνότητα καθαρισμού κ.λπ.).

- Χρόνος καθαρισμού: υποδεικνύει τη διάρκεια της τελευταίας συνεδρίας καθαρισμού
- Περιοχή που καθαρίστηκε: υποδεικνύει τα τετραγωνικά μέτρα που κάλυψε το ρομπότ κατά την τελευταία συνεδρία καθαρισμού
- Μπαταρία: τρέχον επίπεδο μπαταρίας



Εικ. 5



Εικ. 6

• ΣΕ ΛΕΙΤΟΥΡΓΙΑ (🏠)

Το ρομπότ ξεκινά τον καθαρισμό ακολουθώντας τις τρέχουσες ρυθμίσεις καθαρισμού.

• ΕΠΙΣΤΡΟΦΗ ΣΤΗ ΒΑΣΗ ΦΟΡΤΙΣΗΣ (🔌)

Το ρομπότ θα επιστρέψει στη βάση φόρτισης.

* Όλα τα άλλα εικονίδια θα ενεργοποιηθούν και θα είναι διαθέσιμα μόνο αφού κάνετε κλικ στο εικονίδιο ενεργοποίησης.

• ΕΠΙΛΟΓΗ ΣΗΜΕΙΟΥ (📍)

Επιλέξτε ένα συγκεκριμένο μέρος στο χάρτη, το ρομπότ θα πάει εκεί και θα ξεκινήσει τη συνεδρία καθαρισμού του ακολουθώντας τις τρέχουσες ρυθμίσεις καθαρισμού.

• ΕΠΙΛΟΓΗ ΔΩΜΑΤΙΟΥ (🏠)

Επιλέξτε ένα συγκεκριμένο δωμάτιο στον χάρτη, το ρομπότ θα πάει εκεί και θα ξεκινήσει τη συνεδρία καθαρισμού του ακολουθώντας τις τρέχουσες ρυθμίσεις καθαρισμού.

• ΕΠΙΛΟΓΗ ΠΕΡΙΟΧΗΣ (📏)

Επιλέξτε μια συγκεκριμένη περιοχή στον χάρτη, το ρομπότ θα πάει εκεί και θα ξεκινήσει τη συνεδρία καθαρισμού του ακολουθώντας τις τρέχουσες ρυθμίσεις καθαρισμού.

• ΑΠΑΓΟΡΕΥΜΕΝΕΣ ΠΕΡΙΟΧΕΣ (🚫)

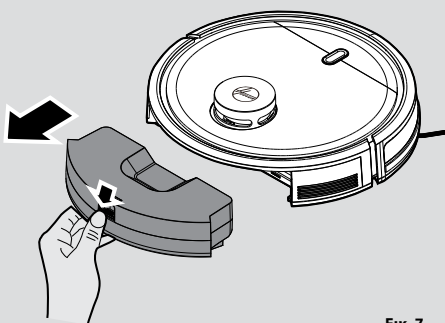
Καθορίστε μια συγκεκριμένη περιοχή όπου δεν θα επιτρέπεται να πάει το ρομπότ. Μπορείτε να ορίσετε απαγορευμένες περιοχές για σφουγγάρισμα, για σκούπισμα ή και για τα δύο.

• ΠΡΟΣΑΡΜΟΓΗ (🔧)

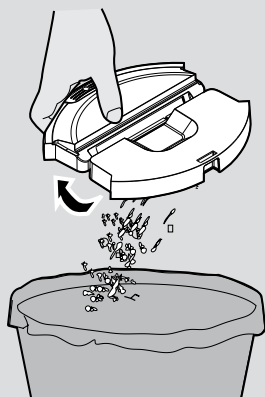
Προσαρμόστε τα δωμάτια στον χάρτη. Είναι δυνατή η συγχώνευση ή ο διαχωρισμός διαφορετικών δωματίων, η πλήρης επαναφορά του χάρτη, η μετονομασία δωματίων, ο καθορισμός προγράμματος καθαρισμού για κάθε δωμάτιο, ο καθορισμός της σειράς καθαρισμού για τα δωμάτια.

• ΡΥΘΜΙΣΕΙΣ (⚙️)

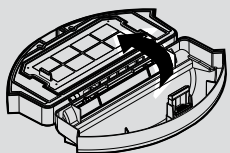
Πλήρης λίστα ρυθμίσεων του ρομπότ



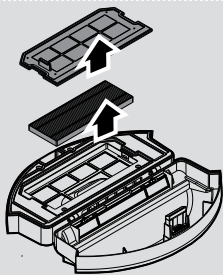
Εικ. 7



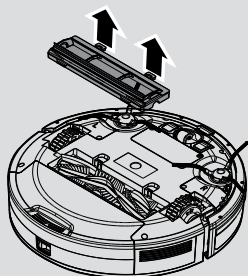
Εικ. 8



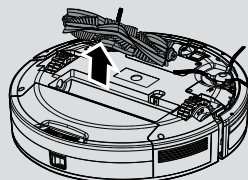
Εικ. 9



Εικ. 10



Εικ. 11



Εικ. 12

ΣΥΝΤΗΡΗΣΗ ΤΗΣ ΣΚΟΥΠΙΑΣ ΡΟΜΠΟΤ

ΑΔΕΙΑΣΜΑ ΤΟΥ ΔΟΧΕΙΟΥ ΣΚΟΝΗΣ

Διακόψτε την λειτουργία του ρομπότ πριν από κάθε εργασία συντήρησης .

1. Απενεργοποιήστε το ρομπότ και αφαιρέστε το από τη βάση του φορτιστή.
2. Χρησιμοποιήστε ένα στεγνό πανί για να καθαρίσετε όλες τις επιφάνειες. Κατά την διαδικασία καθαρισμού προσέξτε να μην περάσει νερό στο εσωτερικό της συσκευής.

Μετά το σκούπισμα, αφαιρέστε το δοχείο σκόνης.

1. Πατήστε το κουμπί απελευθέρωσης και τραβήξτε το προς τα έξω. [Εικ. 7]
2. Αδειάστε το δοχείο σκόνης σε κάδο απορριμμάτων. [Εικ. 8]
3. Χρησιμοποιήστε τη βούρτσα καθαρισμού όταν χρειάζεται για να αφαιρέσετε τυχόν περίσσεια σκόνης από την εσωτερική επιφάνεια του δοχείου σκόνης ή την επιφάνεια του φίλτρου
4. Τοποθετήστε ξανά το δοχείο σκόνης στο ρομπότ

ΚΑΘΑΡΙΣΜΟΣ ΤΩΝ ΦΙΛΤΡΩΝ

Το ρομπότ είναι εξοπλισμένο με φίλτρο πριν από τον κινητήρα. Για να διατηρήσετε τη βέλτιστη απόδοση καθαρισμού, καθαρίζετε τακτικά το κάλυμμα του φίλτρου και το φίλτρο πριν από τον κινητήρα. Πρέπει να καθαρίζονται αφού το δοχείο σκόνης έχει αδειάσει 5 φορές και δεν πρέπει να πλένονται.

1. Μετά το σκούπισμα, αφαιρέστε το δοχείο σκόνης, πατήστε το κουμπί απελευθέρωσης και τραβήξτε το προς τα έξω. [Εικ. 7]
2. Αδειάστε το δοχείο σκόνης. [Εικ. 8] Ανοίξτε το δοχείο σκόνης, αφαιρέστε το πλέγμα φίλτρου μαζί με το φίλτρο και, στη συνέχεια, αφαιρέστε το φίλτρο ERA από το πλέγμα φίλτρου και καθαρίστε το ξεχωριστά. Η συναρμολόγηση γίνεται με την αντίστροφη σειρά, βεβαιωθείτε ότι το φίλτρο έχει συναρμολογηθεί σωστά. [Εικ. 9,10]

ΕΠΙΣΗΜΑΝΣΗ: Ελέγχετε και συντηρείτε τακτικά τα φίλτρα ακολουθώντας τις οδηγίες συντήρησης φίλτρων. Αυτό θα διατηρήσει τη μέγιστη απόδοση καθαρισμού.

Εάν το πλέγμα φίλτρου και το φίλτρο έχουν υποστεί ζημιά, θα πρέπει να αφαιρεθούν αμέσως και να αντικατασταθούν εγκαίρως για να αποφευχθεί η ζημιά στον κινητήρα αναρρόφησης.

ΚΑΘΑΡΙΣΜΟΣ ΤΗΣ ΒΟΥΡΤΣΑΣ

Καθαρίζετε τακτικά τη βούρτσα για τη διατήρηση βέλτιστης απόδοσης καθαρισμού.

1. Απενεργοποιήστε το ρομπότ και γυρίστε το ανάποδα.
2. Πιέστε τα κλιπ στην πλάκα του πάτου, αφαιρέστε το κάλυμμα του αναδευτήρα. [Εικ. 11]
3. Ανασηκώστε τον αναδευτήρα πιάνοντας το ένα άκρο του αναδευτήρα. [Εικ. 12]
4. Χρησιμοποιήστε τη βούρτσα καθαρισμού για να απελευθερώσετε τυχόν εμπλοκή από τον αναδευτήρα και τη βρωμιά στις τρίχες. Μην χάσετε το λαστιχένιο περίβλημα στο ρουλεμάν.
5. Μετά τον καθαρισμό, τοποθετήστε ξανά τον αναδευτήρα και το κάλυμμα του αναδευτήρα στο ρομπότ.

Προσοχή: Όλες οι εργασίες συντήρησης θα πρέπει να εκτελούνται μετά την απομάκρυνση του δοχείου σκόνης, για να αποφευχθεί η κατά λάθος απόρριψη της βρωμιάς στο δοχείο σκόνης.

ΚΑΘΑΡΙΣΜΟΣ ΤΩΝ ΒΟΥΡΤΣΩΝ ΑΚΡΩΝ

Όταν οι βούρτσες των άκρων λερωθούν, καθαρίστε τις με καθαρό νερό και στεγνώστε τις πριν τις χρησιμοποιήσετε. εάν η βούρτσα άκρων είναι κατεστραμμένη και δεν μπορεί να λειτουργήσει κανονικά, αντικαταστήστε την.

Προσοχή!

Όταν αντικαθιστάτε τις βούρτσες καθαρισμού άκρων, αντιστοιχίστε τα σημάδια "L" και "R" στη βούρτσα με τα "L" και "R" στο κάτω μέρος του ρομπότ.

ΚΑΘΑΡΙΣΜΟΣ ΤΩΝ ΤΡΟΧΩΝ ΚΙΝΗΣΗΣ [Εικ. 13]

1. Απενεργοποιήστε το ρομπότ και γυρίστε το ανάποδα.
2. Αφαιρέστε τυχόν απορρίμματα ή μπλεγμένες τρίχες στους τροχούς.
3. Καθαρίστε τους τροχούς με στεγνό πανί.

ΚΑΘΑΡΙΣΜΟΣ ΤΟΥ ΦΑΚΟΥ ΑΙΣΘΗΤΗΡΑ ΑΠΟΤΡΟΠΗΣ ΠΤΩΣΗΣ [Εικ. 14]

Για να διατηρήσετε την ασφαλή λειτουργία του ρομπότ σας, είναι σημαντικό να διατηρείτε καθαρούς τους αισθητήρες κατά της πτώσης.

Υπάρχουν 3 αισθητήρες που βρίσκονται στην κάτω πλευρά του ρομπότ. Γυρίστε το ρομπότ ανάποδα και καθαρίστε τα με στεγνό πανί για να αφαιρέσετε τυχόν συσσώρευση σκόνης, βρωμιάς ή υπολειμμάτων.

ΑΝΤΙΚΑΤΑΣΤΑΣΗ ΤΗΣ ΜΠΑΤΑΡΙΑΣ [Εικ. 15]

1. Χρησιμοποιήστε ένα κατσαβίδι για να αφαιρέσετε τις βίδες από το κάλυμμα της μπαταρίας στο κάτω μέρος του ρομπότ.
2. Αφαιρέστε το κάλυμμα των μπαταριών
3. Αποσυνδέστε το βύσμα και βγάλτε την μπαταρία από τη θήκη.
4. Τοποθετήστε τη νέα μπαταρία στη θήκη και επανασυνδέστε την στην υποδοχή. Προσέξτε τη σωστή ευθυγράμμιση του βύσματος και των καλωδίων. Τοποθετήστε ξανά το κάλυμμα της μπαταρίας και κλείστε το με τις βίδες.
5. Ενεργοποιήστε για να ελέγξετε αν όλα είναι φυσιολογικά.

Προσοχή!

Ανακυκλώστε τις αντικατασταθείσες μπαταρίες με μια φιλική προς το περιβάλλον μέθοδο για να αποφύγετε τη ρύπανση.

ΣΗΜΑΝΤΙΚΗ ΕΠΙΣΗΜΑΝΣΗ

Για το ρομπότ σας, χρησιμοποιείτε αποκλειστικά γνήσια ανταλλακτικά Hoover.

Η χρήση μη γνήσιων ανταλλακτικών Hoover είναι επικίνδυνη και θα ακυρώσει την εγγύηση της συσκευής.

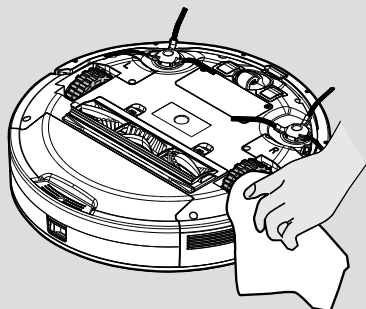
Εάν το ρομπότ δεν πρόκειται να χρησιμοποιηθεί για αρκετούς μήνες, αφαιρέστε τις μπαταρίες και αποθηκεύστε τις σε δροσερό και ξηρό μέρος.

ΕΠΙΣΗΜΑΝΣΗ: Πάντα να βεβαιώνετε ότι η συσκευή σας είναι απενεργοποιημένη πριν από τη συντήρηση. Χρησιμοποιείτε πάντα δύο χέρια για να σηκώνετε και να μεταφέρετε και βεβαιωθείτε ότι το ρομπότ κρατιέται επίπεδα. [Εικ. 16]

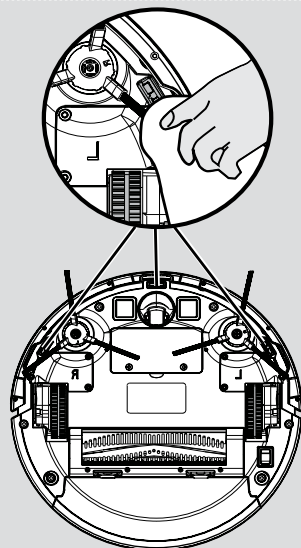
Όταν ανάβετε τη σκούπα ρομπότ, βεβαιωθείτε ότι δεν πιάνετε το δοχείο σκόνης για να αποφύγετε τυχαίο άνοιγμα.

[Εικ. 17]

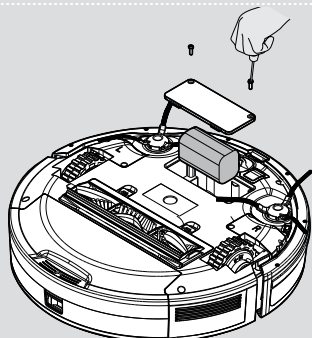
Θα πρέπει να αποφύγετε να χρησιμοποιείτε το καθαριστικό ρομπότ σας σε άμεσο ηλιακό φως ή σε σκούρες γυαλισμένες επιφάνειες, καθώς αυτές οι συνθήκες θα επηρεάσουν αρνητικά την κίνηση του ρομπότ σας.



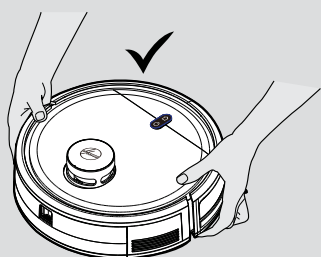
Εικ. 13



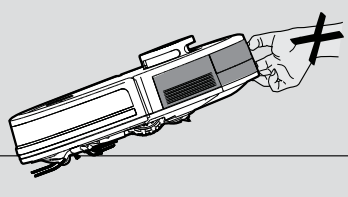
Εικ. 14



Εικ. 15



Εικ. 16



Εικ. 17

ΑΝΤΙΜΕΤΩΠΙΣΗ ΠΡΟΒΛΗΜΑΤΩΝ

Εάν αντιμετωπίζετε οποιοδήποτε πρόβλημα με το ρομπότ σας, ακολουθήστε αυτήν την απλή λίστα ελέγχου προτού καλέσετε το Κέντρο Εξυπηρέτησης Πελατών Hoover.

• Το ρομπότ δεν λειτουργεί όταν είναι ενεργοποιημένο

Ενδεικτική λυχνία των πλήκτρων ON/OFF και Home	Ενέργειες
αναβοσβήνουν λευκό & μπλε	Ελέγξτε ότι οι βούρτσες καθαρισμού άκρων είναι καθαρές και τοποθετημένες σωστά
	Ελέγξτε ότι ο αναδευτήρας είναι καθαρός και τοποθετημένος σωστά
Ανάβει λευκό	Ελέγξτε ότι το δοχείο σκόνης έχει τοποθετηθεί σωστά
Λευκά & γαλάζια φώτα αναβοσβήνουν	Ελέγξτε ότι οι κινητήριοι τροχοί είναι καθαροί και λειτουργούν
Μπλε & γαλάζια φώτα αναβοσβήνουν	Ελέγξτε ότι οι αισθητήρες κατά της πτώσης και ο μπροστινός προφυλακτήρας είναι καθαροί και λειτουργούν
Το λευκό αναβοσβήνουν	Ελέγξτε ότι ο πύργος Lidar λειτουργεί

• Το ρομπότ δεν επαναφορτίζεται αυτόματα

Βεβαιωθείτε ότι δεν υπάρχουν εμπόδια μεταξύ του ρομπότ και της βάσης του φορτιστή και ότι δεν υπάρχουν αντικείμενα στην περιοχή γύρω από τη βάση του φορτιστή για 2 μέτρα μπροστά και 1 μέτρο σε κάθε πλευρά.

• Το ρομπότ έχει παγιδευτεί

Το ρομπότ θα προσπαθήσει να απελευθερωθεί, αλλά σε ορισμένες περιπτώσεις, βοηθήστε το ρομπότ με τα χέρια.

• Το ρομπότ είναι πολύ θορυβώδες κατά τον καθαρισμό

Καθαρίστε το δοχείο σκόνης και το φίλτρο, καθαρίστε και ελέγξτε τον αναδευτήρα και τους κινητήριους τροχούς.

• Η καθαριστική ισχύς είναι μειωμένη

Καθαρίστε το δοχείο σκόνης και το φίλτρο, καθαρίστε και ελέγξτε τον αναδευτήρα και τους κινητήριους τροχούς.

ΣΗΜΑΝΤΙΚΕΣ ΠΛΗΡΟΦΟΡΙΕΣ

Ανταλλακτικά και αναλώσιμα της Hoover

Όταν παραστεί η ανάγκη χρησιμοποιείτε αποκλειστικά γνήσια ανταλλακτικά Hoover. Τα ανταλλακτικά Hoover διατίθενται από τον τοπικό αντιπρόσωπο Hoover ή απευθείας από τη Hoover. Κατά την παραγγελία εξαρτημάτων να αναφέρετε πάντα τον αριθμό μοντέλου.

Ποιότητα

Τα εργοστάσια Hoover έχουν ελεγχθεί από ανεξάρτητους φορείς ποιοτικού ελέγχου. Τα προϊόντα μας κατασκευάζονται μέσω ενός συστήματος ποιότητας το οποίο πληροί τις προδιαγραφές του προτύπου ISO 9001.

Η ΕΓΓΥΗΣΗ ΣΑΣ

Οι όροι ισχύος της εγγύησης της συσκευής καθορίζονται από τον αντιπρόσωπο της χώρας στην οποία έχει πραγματοποιηθεί η πώληση. Περισσότερες πληροφορίες σχετικά με τους όρους εγγύησης μπορείτε να ζητήσετε από τον αντιπρόσωπο που αγοράσατε τη συσκευή. Η προσκόμιση του τιμολογίου ή της απόδειξης αγοράς είναι βασική προϋπόθεση για την ισχύ της εγγύησης.

Ο κατασκευαστής διατηρεί το δικαίωμα να επιφέρει αλλαγές χωρίς προγενέστερη ενημέρωση.

ИНСТРУКЦИИ ПО БЕЗОПАСНОМУ ИСПОЛЬЗОВАНИЮ

Данный прибор предназначен только для домашнего использования в соответствии с описанием, приведенным в настоящем Руководстве пользователя. Использование этого устройства в условиях, отличных от домашних, или с функциями, отличными от обычных функций домашнего хозяйства, такое как коммерческое использование исключено. Ненадлежащее использование устройства приводит к снижению срока его службы и прекращает действие гарантии производителя. Производитель не несет ответственности за повреждение устройства, убыток или потери, вызванные использованием. Прежде чем приступить к эксплуатации данного бытового электроприбора, убедитесь в том, что вы понимаете настоящее руководство.

Перед очисткой или обслуживанием всегда вынимайте вилку из розетки.

Данный прибор не предназначен для использования лицами (включая детей) с пониженными физическими, психическими или умственными способностями или при отсутствии у них опыта или знаний, если они не находятся под контролем или не проинструктированы об использовании прибора лицом, отвечающим за их безопасность. Дети должны находиться под присмотром для недопущения игры с прибором. Все упаковочные материалы должны храниться в недоступном для детей месте (риск удушья).

Если провод питания поврежден, немедленно отключите прибор. Во избежание несчастных случаев замену провода должен осуществлять только специалист авторизованного сервисного центра производителя.

Если в зоне уборки имеются балконы или лестницы, для предотвращения доступа к ним и обеспечения безопасности в работе необходимо установить ограждения. Во время работы робота-пылесоса необходимо следить за детьми и домашними животными.

Бытовой электроприбор всегда следует хранить внутри помещения. Бытовой электроприбор **не** следует использовать вне помещения или подвергать воздействию природных условий, влажности или тепловых источников (печь, камин, мокрый пол).

Не подвергайте робот-пылесос воздействию очень высоких или низких температур (вне диапазона 0-30°C).

Не кидайте робот-пылесос, не оставляйте его вне помещения, не допускайте его падения в воду, и не храните его поблизости от предметов, которые при падении могут повредить пылесос.

При выключении адаптера электропитания ни в коем случае не тяните за шнур.

Не используйте робот для уборки лестниц.

Зарядка аккумулятора

Пользуйтесь только оригинальным зарядным устройством, входящим в комплект поставки прибора.

Убедитесь, что напряжение источника питания соответствует параметрам зарядного устройства.

Не заряжайте аккумулятор при температуре выше 30°C или ниже 0°C.

Вставьте зарядное устройство из комплекта данного прибора в соответствующую розетку.

В экстремальных условиях эксплуатации или при высокой температуре возможна утечка из аккумулятора. При попадании вытекшей из аккумулятора жидкости на кожу сразу же промойте пострадавший участок водой. При попадании жидкости в глаза незамедлительно промойте водой в течение не менее 10 минут. Обратитесь за медицинской помощью.

Совершенно нормально, если во время зарядки коснуться зарядного устройства, то оно будет теплым. Используйте только рекомендуемые производителем насадки, расходные материалы или запасные части.

Не используйте прибор для сбора острых предметов, спичек, горячего пепла, окурков или аналогичных объектов.

Не распыляйте или не собирайте горючие жидкости, чистящие средства, аэрозоли или прочие пары.

В случае неисправности **не** следует продолжать пользоваться прибором или зарядным устройством.

Сервисное обслуживание: Для обеспечения продолжительной, безопасной и эффективной работы данного бытового электроприбора любой вид ремонта рекомендуется производить только специалистом авторизованного сервисного центра производителя.

Не пользуйтесь прибором для очистки животных или людей.

Не заменяйте аккумулятор прибора обычными одноразовыми батарейками.

Если пылесос не будет использоваться длительное время (несколько недель), отсоедините блок питания от электрической сети.

Замена аккумулятора с истекшим сроком службы

При необходимости утилизации прибора выньте из него аккумуляторную батарею. Перед тем, как достать батарею, отключите прибор от электросети. Соблюдайте правила техники безопасности при утилизации аккумуляторной батареи. Используйте прибор до тех пор, пока батарея полностью не разрядится. Использованные аккумуляторные батареи необходимо сдавать в специальный пункт приема и не выбрасывать с обычными бытовыми отходами. Чтобы извлечь батарею, свяжитесь с авторизованным сервисным центром или следуйте приведенным далее инструкциям. Отсоедините зарядное устройство и выключите робот-пылесос. Переверните пылесос и положите его на ровную поверхность. Открутите винты и снимите крышку аккумуляторного отсека. Отсоедините и удалите аккумулятор.

ПРИМЕЧАНИЕ: В случае возникновения каких-либо сложностей или при необходимости получения более подробной информации об обслуживании, утилизации и переработке данного прибора, обратитесь в местные органы власти или в местную службу по утилизации бытовых отходов.

ПЕРЕД ИСПОЛЬЗОВАНИЕМ СЛЕДУЕТ ОБРАТИТЬ ВНИМАНИЕ НА СЛЕДУЮЩЕЕ

Перед использованием робота-пылесоса и его принадлежностей внимательно прочтите следующую информацию.

Не разбирайте робот-пылесос и не пытайтесь самостоятельно отремонтировать его. В случае поломок обратитесь в отдел послепродажного обслуживания Hoover за профессиональной помощью.

Лестницы: для предотвращения падения с лестниц или ступенек робот-пылесос использует датчики. В некоторых случаях датчики могут не сработать. Робот не обнаруживает ступеньки высотой менее 8 см. На таких ступеньках робот-пылесос может опрокинуться. Если есть возможность, установите через приложение запретные зоны или виртуальные стены, чтобы защитить вашего робота от падения.

Сильно отражающие или очень черные покрытия отдельных лестниц или ступенек, например стеклянные или полированные керамические, могут привести к падению робота-пылесоса. Если есть возможность, установите запретные зоны или виртуальные стены через приложение или положите ковер на нижнюю ступеньку, чтобы защитить вашего Робота от падения.

Поэтому не следует использовать робот-пылесос на верандах, лестничных площадках или возвышенных частях помещений без ограждения опасных мест. Если есть возможность, установите через приложение запретные зоны или виртуальные стены, чтобы ваш робот не заходил в эти зоны.

Использование батарей: робот-пылесос оснащен литиевой аккумуляторной батареей. Перезаряжаемые батареи имеют гарантию сроком 6 месяцев, при условии, что их обслуживание и эксплуатация проводятся в соответствии с данным Руководством пользователя.

При существенном уменьшении времени работы робота-пылесоса приобрести новый аккумулятор можно в ближайшей точке продаж техники компании Hoover. Используйте только оригинальные запасные части Hoover. Использование нерекондованных компанией Hoover запасных частей является опасным и приведет к аннулированию вашей гарантии.

Для перезарядки робота-пылесоса пользуйтесь только той зарядной станцией и адаптером электропитания, которые входят в комплект поставки. Использование неоригинальной зарядной станции или адаптера является опасным и приводит к аннулированию вашей гарантии.

Диапазон частот	2412 MHz to 2472 MHz
Максимальная мощность передачи сигнала в пределах частотного диапазона	802.11 b: +15.95 dBm 802.11 g: +14.91 dBm 802.11 n20: +13.78 dBm

Окружающая среда

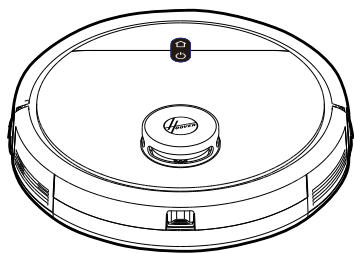
Символ на данном приборе указывает на то, что его нельзя утилизировать вместе с бытовыми отходами. Его необходимо сдавать в соответствующий пункт приема для дальнейшей переработки электрических и электронных частей. Утилизация должна проводиться в соответствии с местными правилами по защите окружающей среды и утилизации отходов. За более подробной информацией по обращению с данным прибором, его утилизации и переработке обратитесь в местные органы власти, в службу утилизации отходов или в магазин, где вы приобрели данный прибор.



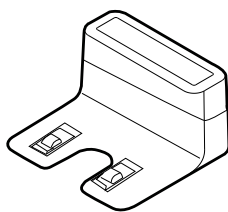
CE Данный прибор отвечает требованиям Европейских Директив 2014/53/EC и 2011/65/EC. За копией декларации соответствия обращайтесь к производителю через сайт www.candy-home.com/ru

CANDY HOOVER GROUP Srl Via Privata Eden Fumagalli, 20861 Brugherio (MB) Italy

КОМПЛЕКТ ПОСТАВКИ



Робот-пылесос



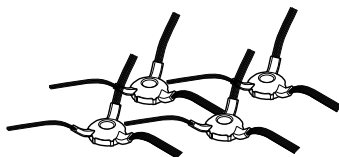
Зарядная база



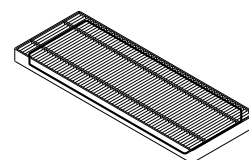
Руководство пользователя



Адаптер электропитания



4 щетки для очистки краев

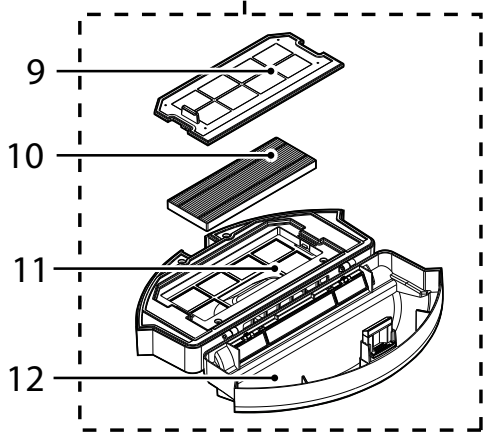
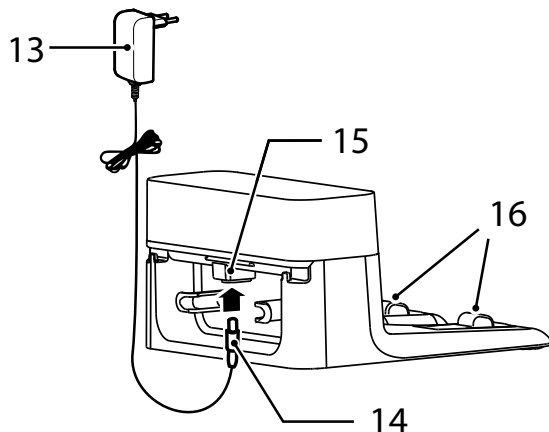
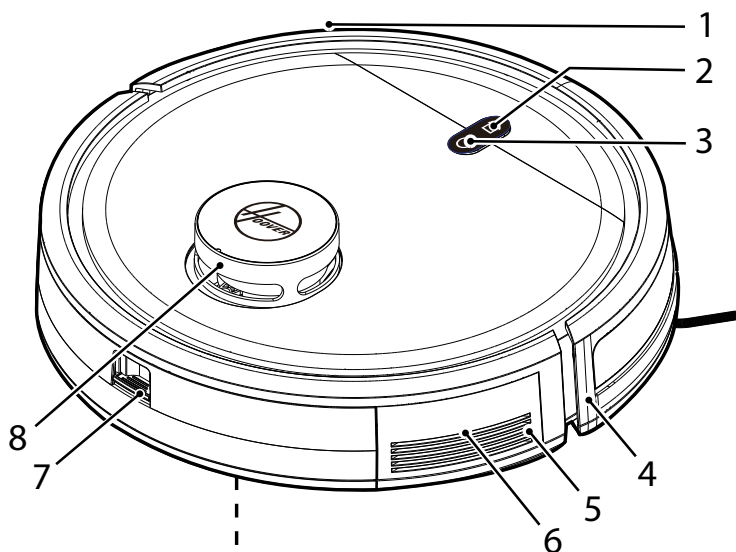


Дополнительный фильтр для робота

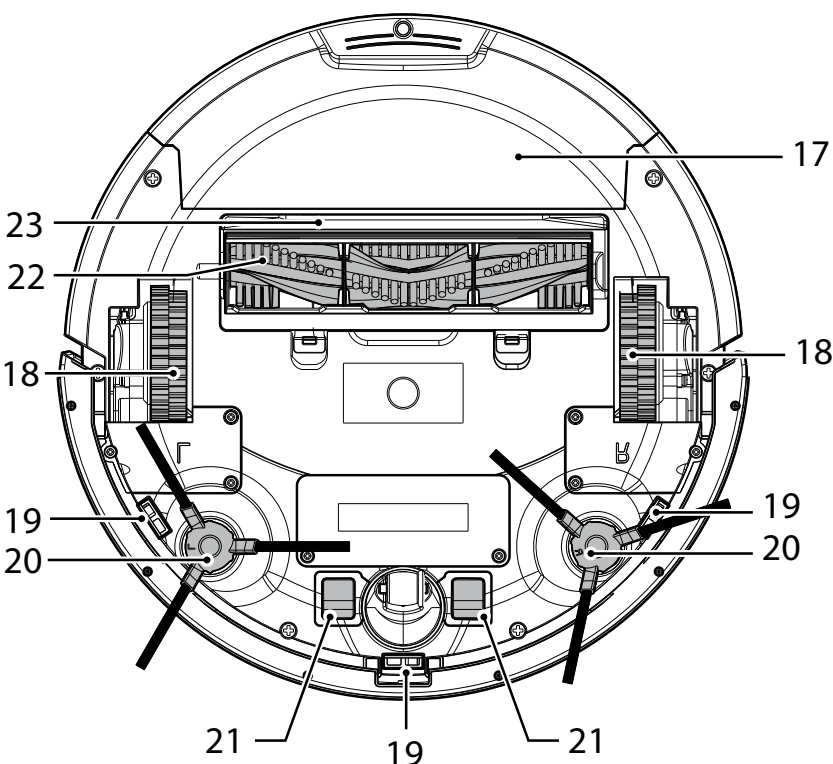


Щетка для очистки

ЗНАКОМСТВО С РОБОТОМ-ПЫЛЕСОСОМ



1	Передний бампер
2	Кнопка HOME (зарядная база)
3	Кнопка Вкл/Выкл
4	Передний приемник сигнала
5	Динамик
6	Кнопка сброса (красная кнопка)
7	Кнопка извлечения пылесборника
8	Башня лидара
9	Сетка фильтра
10	Фильтр HEPA
11	Верхняя крышка пылесборника
12	Нижняя крышка пылесборника



13	Адаптер электропитания
14	Соединитель электропитания
15	Разъем постоянного тока на зарядной базе
16	Контакты зарядной базы

17	Контейнер для сбора пыли
18	Приводное колесо
19	Датчик защиты от падения
20	Щетка для чистки краев
21	Зарядные контакты робота-пылесоса
22	Вращающаяся щетка
23	Верхняя крышка вращающейся щетки

ПОДГОТОВКА РОБОТА-ПЫЛЕСОСА К РАБОТЕ

УПАКОВКА

Не выбрасывайте упаковку робота-пылесоса. Это может понадобиться для оформления гарантийной заявки в будущем.

При распаковке робота с принадлежностями уберите пластиковые пакеты подальше от детей и домашних животных для предотвращения риска удушья.

При первом использовании зарядите свой пылесос в течение 4-6 часов. [Рис. 1]

Не допускайте воздействия на блок питания очень высоких (выше 30°C) или очень низких (ниже 0°C) температур, т.к. это может привести к его повреждению.

Адаптер электропитания следует включать только в стандартную розетку питания.

АККУМУЛЯТОРНАЯ БАТАРЕЯ

Для обеспечения максимального срока службы аккумулятора рекомендуется хранить робот-пылесос с полностью заряженной батареей.

Когда робот не используется, его следует оставлять подключенным к зарядной базе. Робот-пылесос оснащен интеллектуальной зарядной системой. Она защищает аккумуляторы от избыточного заряда. Для предотвращения несчастных случаев предупредите всех людей в помещении о наличии робота-пылесоса.

ПОДГОТОВЬТЕ ВАШ ДОМ

Перед использованием устраните все препятствия на пути движения пылесоса. Обращайте особое внимание на:

- Предметы, которые можно легко опрокинуть.
- Края ковров, в которых пылесос может запутаться.
- Шторы и скатерти, края которых касаются пола.
- Тепловые источники или воспламеняющиеся предметы.
- Провода и кабели.
- Хрупкие предметы.

НАСТРОЙКА ЗАРЯДНОЙ СТАНЦИИ

1. Вставьте вилку адаптера электропитания в гнездо и подключите его к зарядной базе. [Рис. 2]
2. Убедитесь, что шнур питания не зажат под зарядной базой.
3. Установите базу зарядной станции на неотражающую ровную поверхность, лучше всего у стены. Если поверхность пола имеет слишком высокий коэффициент отражения, это будет создавать помехи для навигационной системы пылесоса и вызывать сложности при обнаружении зарядной базы.
4. В зоне вокруг зарядной базы (на расстоянии 2 м спереди и 1 м с каждой стороны) не должно находиться никаких предметов. [Рис. 2]
5. Следите за тем, чтобы шнур питания не перегибался и не был поцарапанным. Если шнур слишком длинный, аккуратно зафиксируйте его при помощи стяжки.
6. Убедитесь, что пылесборник правильно вставлен в робот-пылесос.
7. Прижмите две щетки для чистки краев к кронштейнам так, чтобы прозвучал щелчок. Обратите внимание, что метки L и R на щетках должно совпадать с такими же метками на пылесосе. [Рис. 3]
8. Извлеките губки из устройства для очистки робота. Вставьте робота в зарядную базу для начала работы. При нормальных условиях эксплуатации полная зарядка пылесоса занимает около 4-5 часов.

ЗАРЯДКА БАТАРЕИ [Рис. 4]

Нажмите и удерживайте кнопку ВКЛ/ВЫКЛ робота в течение 3-5 секунд, чтобы включить робота, и установите его перед зарядным устройством.

Нажмите кнопку Home (зарядная база) на роботе, убедитесь, что он движется к зарядной базе.

Для оптимальной работы батареи рекомендуется держать батарею робота полностью заряженной.

Когда батарея заряжается, кнопки ВКЛ/ВЫКЛ и Home (зарядная база) будут мигать белым цветом.

При полностью заряженной батарее индикаторы будут выключены.

Автоматическая зарядка

Если во время уборки заряд батареи робота-пылесоса низкий, он прекратит уборку и начнет искать зарядную базу для зарядки.

Когда робот-пылесос закончит уборку, он автоматически переключится в режим подзарядки и начнет искать зарядную базу для самостоятельной зарядки.

ПРИМЕЧАНИЕ: Убедитесь, что контакты зарядки робота и зарядной базы не загрязнены. При необходимости очистите контакты зарядки.

Если робот не может быть включен из-за низкого уровня заряда, пожалуйста, вручную переместите его на зарядную базу для зарядки. Контакты зарядки должны быть совмещены, а щетка для чистки краев не должна застревать между зарядными контактами.

Аккумуляторная батарея

Со временем емкость аккумулятора вашего робота уменьшается, и его необходимо заменить. Сменный аккумулятор можно приобрести в авторизованном розничном магазине Hoover. Используйте только оригинальные запасные части и принадлежности Hoover.

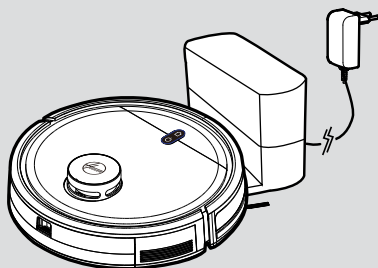


Рис. 1

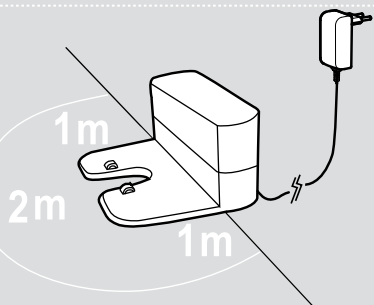


Рис. 2

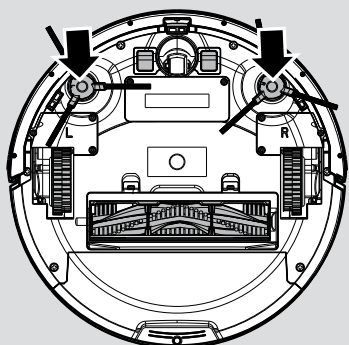


Рис. 3

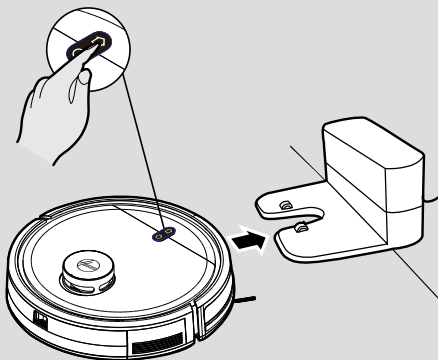


Рис. 4

ИСПОЛЬЗОВАНИЕ РОБОТА-ПЫЛЕСОСА

• Кнопка HOME (зарядная база)

Короткое нажатие: Подзарядка

Длительное нажатие: подключение к приложению

Световой индикатор:

Белый свет мигает: зарядка

Белый свет быстро мигает: подключение к приложению

• Кнопка Вкл/Выкл

Длительное нажатие: включение питания (если робот выключен)

Длительное нажатие: выключение (если робот включен)

Короткое нажатие: пуск/пауза (если робот находится в спящем режиме)

Световой индикатор:

Синий свет мигает: режим ожидания

Синий свет горит постоянно: рабочий режим

Синий свет выключен: режим сна

1. Процесс работы робота-пылесоса: Режим сна > Режим ожидания > Режим работы

А. Режим сна: Когда робот находится в режиме ожидания и не работает в течение 3 минут, он автоматически переходит в режим сна. Когда робот находится в режиме сна, индикатор кнопки не горит, а сам робот неподвижен.

В. Режим ожидания: Когда робот находится в режиме ожидания, индикатор кнопки мигает синим цветом, и робот неподвижен.

С. Режим работы: Когда робот работает, индикатор кнопки всегда горит синим цветом, и робот находится в режиме уборки.

2. Пауза

Пауза означает, что робот переходит из рабочего режима в режим ожидания. Это можно сделать, нажав кнопку ВКЛ/ВЫКЛ на работе или через мобильное приложение.

Внимание! [Рис. 5]

Если робот находится в спящем режиме, дважды нажмите кнопку ВКЛ/ВЫКЛ на работе, чтобы он начал уборку.

Если робот не используется в течение длительного времени, нажмите и удержите кнопку ВКЛ/ВЫКЛ для выключения робота. Если робот столкнулся с аварией, пожалуйста, нажмите кнопку Reset (Сброс) на роге на 2-3 секунды иглой менее 2 мм для принудительного выключения.

ЗАГРУЗКА ПРИЛОЖЕНИЯ И ПОДКЛЮЧЕНИЕ ПО WI-FI [Рис. 6]

Чтобы получить доступ ко всем функциям робота из любого места, рекомендуется загрузить приложение HG5. Это является самым эффективным способом управления пылесосом.

1. Загрузите приложение "HG5" из App Store, Google Play или APP Gallery.
2. Откройте приложение, создайте учетную запись, указав свою электронную почту и пароль. Подтвердите вход.
3. Убедитесь, что ваше мобильное устройство подключено к сети Wi-Fi.
4. Нажмите кнопку "добавить устройство" в приложении, следуйте инструкциям для завершения сопряжения.

Предупреждение

Длина имени соединения Wi-Fi не может превышать 32 символов.

Если подключение не удалось, выполните следующие действия для проверки:

- Проверьте, правильно ли вы ввели пароль маршрутизатора Wi-Fi
- Убедитесь, что ваша сеть Wi-Fi настроена на 2,4 ГГц
- Убедитесь, что пылесос находится не слишком далеко от маршрутизатора.

С ПРИЛОЖЕНИЕМ HG5

После успешного сопряжения с роботом вы можете создать план вашего дома. Это позволит вам получить доступ к полностью настраиваемым параметрам и расписанию уборки для вашего робота.

Нажмите на значок робота, чтобы перейти на страницу плана. Не забудьте убрать с пола все препятствия (кабели, носки, обувь) перед включением робота.

Нажмите на кнопку POWER ON, чтобы робот начал составлять план вашей квартиры. Вы увидите создание плана на домашней странице. Когда робот просканирует всю квартиру, вы увидите полный план на своем телефоне. Вы можете дать имя каждой комнате, сделать настройки и установить специальный график уборки (уровень мощности всасывания, уровень уборки, частота уборки и т.д.).

- Время уборки: показывает продолжительность последней уборки.

- Убранная площадь: указывает количество квадратных метров, пройденное роботом во время последнего сеанса уборки.

- Батарея: текущий уровень заряда батареи.

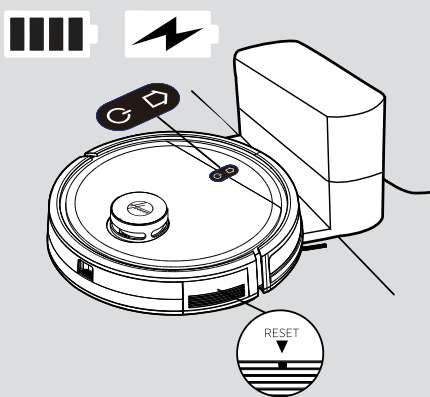


Рис. 5



Рис. 6

- ВКЛЮЧЕНИЕ ПИТАНИЯ (⏻)

Робот начинает уборку в соответствии с текущими настройками уборки.

- ВЕРНУТЬСЯ К ЗАРЯДКЕ (🔌)

Робот вернется на зарядную базу.

* Все остальные значки загорятся и будут доступны только после нажатия на значок Включения питания.

- ПЕРЕЙТИ К МЕСТУ (📍)

Выберите определенное место на плане, робот отправится туда и начнет уборку, следуя текущим настройкам.

- ВЫБРАТЬ КОМНАТУ (🏠)

Выберите определенную комнату на плане, робот отправится туда и начнет уборку, следуя настройкам уборки комнаты.

- ВЫБРАТЬ ОБЛАСТЬ (📐)

Выберите конкретную область на плане, робот отправится туда и начнет уборку, следуя текущим настройкам.

- ЗАПРЕТНЫЕ ЗОНЫ (🚫)

Определите конкретную область, куда роботу не будет разрешено заходить. Вы можете определить запретные зоны для уборки шваброй, для пылесоса или для обеих типов.

- ПОЛЬЗОВАТЕЛЬСКИЕ НАСТРОЙКИ (⚙️)

Настройте индивидуально комнаты на плане. Можно объединить или разделить различные комнаты, полностью сбросить план, переименовать комнаты, установить расписание уборки для каждой комнаты, установить последовательность уборки комнат.

- НАСТРОЙКИ (⋮)

Полный список настроек робота-пылесоса

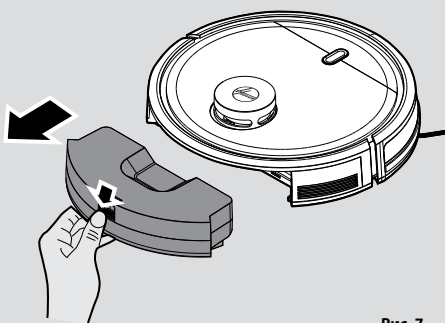


Рис. 7

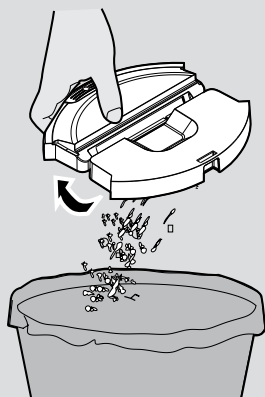


Рис. 8

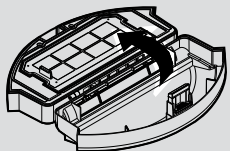


Рис. 9

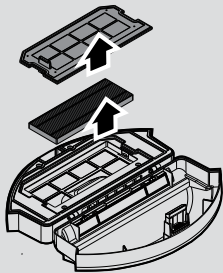


Рис. 10

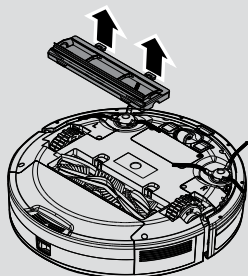


Рис. 11

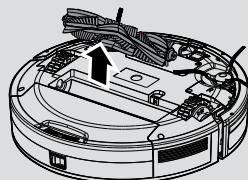


Рис. 12

ОБСЛУЖИВАНИЕ РОБОТА-ПЫЛЕСОСА

ОПОРОЖНЕНИЕ ПЫЛЕСБОРНИКА

Перед проведением любых операций по обслуживанию, убедитесь в том, что робот-пылесос выключен.

1. Выключите робота и снимите его с зарядной базы.
2. Протрите все поверхности сухой тряпкой. Во время очистки следите за тем, чтобы вода НЕ ПОПАЛА в пылесос.

После уборки снимите пылесборник.

1. Нажмите кнопку извлечения пылесборника и вытяните его. [Рис. 7]
2. Опорожните пылесборник над мусорным ведром. [Рис. 8]
3. С помощью щетки (при необходимости) удалите излишки пыли с внутренних поверхностей пылесборника или поверхности фильтра.
4. Верните пылесборник на место.

ОЧИСТКА ФИЛЬТРОВ

Робот-пылесос оснащается фильтром для защиты двигателя. Для сохранения оптимальных рабочих характеристик пылесоса регулярно очищайте крышку фильтра и предмоторный фильтр. Их необходимо чистить после каждых 5 опорожнений пылесборника и не мыть.

1. После уборки пылесосом нажмите кнопку извлечения пылесборника и вытяните его. [Рис. 7]
2. Опорожните пылесборник. [Рис. 8] Откройте пылесборник, снимите сетку вместе с фильтром, затем снимите фильтр ЕРА с сетки фильтра и очистите их по отдельности. Сборка производится в обратном порядке, по окончании убедитесь, что фильтр собран правильно. [Рис. 9,10]

ВНИМАНИЕ! Регулярно проверяйте и обслуживайте фильтры в соответствии с указаниями в руководстве. Это позволит сохранить максимальную эффективность очистки.

Если сетка фильтра и фильтр повреждены, их следует немедленно снять и своевременно заменить, чтобы избежать повреждения двигателя пылесоса.

ОЧИСТКА ВРАЩАЮЩЕЙСЯ ЩЕТКИ

Для обеспечения эффективной уборки регулярно очищайте вращающуюся щетку.

1. Выключите робота и переверните его.
2. Нажмите на зажимы на подошве и снимите крышку вращающейся щетки. [Рис. 11]
3. Поднимите вращающуюся щетку, взявшись за один ее конец. [Рис. 12]
4. Используйте щетку для очистки, чтобы удалить все запутавшиеся части на вращающейся щетке и грязь на щетинках. Не потеряйте резиновую втулку на шарикоподшипнике.
5. После очистки установите вращающуюся щетку и ее крышку обратно в робот.

Осторожность: Все работы по техническому обслуживанию следует выполнять после извлечения пылесборника, чтобы избежать случайного выброса грязи из него.

ОЧИСТКА ЩЕТКИ ДЛЯ ЧИСТКИ КРАЕВ

Когда щетки для чистки краев загрязняются, очистите их чистой водой и высушите перед дальнейшим использованием; если щетка повреждена и не может нормально работать, пожалуйста, замените ее.

Внимание!

При замене щеток для чистки краев совместите метки "L" и "R" на щетке с метками "L" и "R" на нижней части робота.

ОЧИСТКА ПРИВОДНЫХ КОЛЕС [Рис. 13]

1. Выключите робот-пылесос и переверните его.
2. Удалите грязь или волосы, застрявшие в колесах.
3. Очистите колеса сухой тканью.

ОЧИСТКА ЛИНЗЫ ДАТЧИКА ЗАЩИТЫ ОТ ПАДЕНИЯ [Рис. 14]

Для сохранения рабочих характеристик вашего робота-пылесоса важно поддерживать датчик защиты от падения в чистоте.

На нижней стороне робота-пылесоса расположены 3 датчика. Переверните робота вверх дном и протрите их сухой салфеткой, чтобы удалить скопления пыли, грязи и мусора.

ЗАМЕНА БАТАРЕИ [Рис. 15]

1. С помощью отвертки выкрутите винты из крышки батарейного отсека в нижней части робота.
2. Снимите крышку отсека батарей.
3. Отсоедините разъем и извлеките батарею из отсека.
4. Поместите новую батарею в отсек и снова подсоедините к разъему. Обратите внимание на правильное совмещение разъема и проводов. Установите на место крышку батарейного отсека и зафиксируйте ее винтами.
5. Включите питание, чтобы проверить, все ли в порядке.

Внимание!

Пожалуйста, утилизируйте замененные батареи экологически чистым способом, чтобы избежать загрязнения окружающей среды.

ВАЖНОЕ ПРИМЕЧАНИЕ

Используйте только одобренные запасные части для вашего робота.

Использование запасных частей, которые не одобрены компанией Hoover, является опасным и приведет к аннулированию вашей гарантии.

Если вы не собираетесь пользоваться своим роботом-пылесосом в течение нескольких месяцев, выньте батареи и храните их в сухом прохладном месте.

ВНИМАНИЕ! Перед обслуживанием убедитесь, что прибор выключен. Всегда осуществляйте подъем и переноску обеими руками и следите за тем, чтобы робот-пылесос держался ровно. [Рис. 16]

При включении робота-пылесоса убедитесь, что вы не держитесь за пылесборник, чтобы избежать случайного открытия. [Рис. 17]

Не используйте робот-пылесос под прямыми солнечными лучами или на темных полированных поверхностях, так как эти условия негативно влияют на поведение робота.

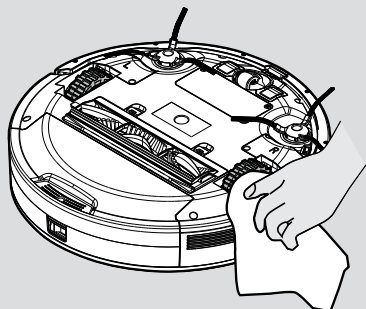


Рис. 13

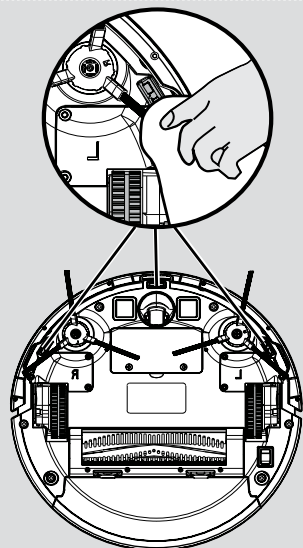


Рис. 14

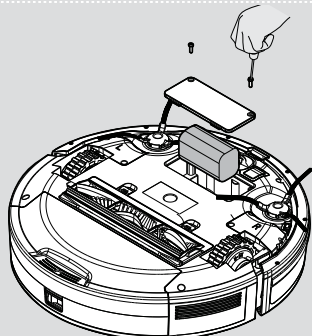


Рис. 15

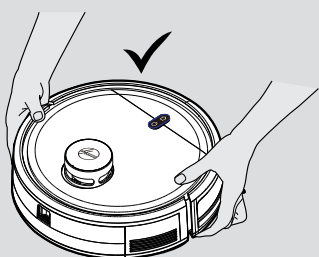


Рис. 16

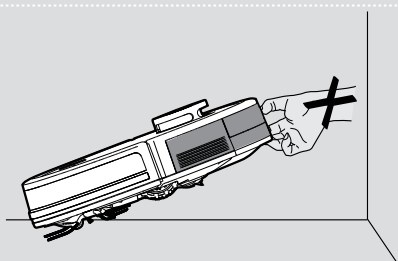


Рис. 17

УСТРАНЕНИЕ НЕИСПРАВНОСТЕЙ

Если у вас возникли проблемы с роботом, выполните этот простой список проверок, прежде чем звонить в Центр обслуживания клиентов Hoover.

• Робот не работает при включении

Световой индикатор кнопок ВКЛ/ВЫКЛ и Home	Действия
Мигает бело-синим светом	Убедитесь, что щетки для чистки краев чистые и правильно установлены.
	Убедитесь, что вращающаяся щетка чистая и правильно установлена.
Горит белым светом	Проверьте, правильно ли вставлен пылесборник.
Мигает бело-синим светом	Проверьте чистоту и исправную работу приводных колес.
Мигает сине-голубым светом	Проверьте чистоту и исправную работу датчиков защиты от падения и переднего буфера.
мигает бело	Проверьте исправную работу башни лидара.

• Робот-пылесос не подзаряжается автоматически

Убедитесь, что между роботом и зарядной базой нет препятствий, а в зоне вокруг зарядной базы на расстоянии 2 метров спереди и 1 метра с каждой стороны нет никаких предметов.

• Робот-пылесос застрял

Робот-пылесос попытается освободиться самостоятельно, но в некоторых случаях необходимо помочь ему вручную.

• Робот сильно шумит во время уборки

Очистите пылесборник и фильтр, очистите и проверьте вращающуюся щетку и приводные колеса.

• Мощность очистки слабая

Очистите пылесборник и фильтр, очистите и проверьте вращающуюся щетку и приводные колеса.

ВАЖНАЯ ИНФОРМАЦИЯ

Запасные части и расходные материалы компании Hoover

При замене частей используйте только оригинальные запасные части и расходные материалы компании Hoover. Их можно приобрести у вашего местного дилера компании Hoover или в официальном интернет-магазине shop.hoover.ru (кроме запасных частей). При оформлении заказа на запасные части обязательно указывайте номер модели пылесоса.

Качество

Заводы компании Hoover прошли независимую оценку на предмет соблюдения требований к качеству выпускаемой продукции. Наша продукция изготавливается с применением системы качества, удовлетворяющей требованиям стандарта ISO 9001.

УСЛОВИЯ ГАРАНТИИ

Условия гарантии для данного бытового электрического прибора определяются нашим представительством в стране, где этот электроприбор продан. Более подробную информацию об этих условиях вы можете получить у продавца или из гарантийного сертификата на данный прибор. В случае возникновения ситуации, покрываемой гарантийными обязательствами изготовителя, при обращении в уполномоченную сервисную организацию необходимо предъявить товарно-кассовый чек или иной документ, подтверждающий начало истечения гарантийного срока, предусмотренного условиями гарантии для данного прибора.

Вся представленная в инструкции информация, касающаяся комплектации, технических характеристик, функций, цветовых сочетаний и т.д. носит информационный характер и ни при каких условиях не является публичной офертой. Изготовитель не устанавливает условия и положения покупки, они должны соответствовать требованиям регионального и/или национального законодательства страны продажи товаров.

INSTRUKCJE BEZPIECZNEGO UŻYTKOWANIA

Urządzenie to jest przeznaczone wyłącznie do użytku domowego w sposób opisany w niniejszej instrukcji użytkownika. Prosimy o dokładne zapoznanie się z instrukcją przed rozpoczęciem używania odkurzacza.

Należy zawsze wyłączyć i wyjąć ładowarkę z gniazdka przed przystąpieniem do czyszczenia urządzenia lub wykonaniem jakichkolwiek czynności konserwacyjnych.

Urządzenie mogą obsługiwać dzieci w wieku co najmniej 8 lat, a osoby o ograniczonych zdolnościach fizycznych, sensorycznych lub mentalnych, a także osoby nieposiadające odpowiedniego doświadczenia oraz wiedzy, jedynie pod warunkiem że odbywać się będzie to pod nadzorem lub po przeszkoleniu na temat bezpiecznego użycia urządzenia oraz związanych z nim zagrożeń. Dzieci nie mogą bawić się urządzeniem. Urządzenia nie mogą czyścić ani konserwować dzieci bez nadzoru.

Jeśli przewód zasilający uległ uszkodzeniu, należy natychmiast zaprzestać korzystania z urządzenia. Ze względów bezpieczeństwa, przewód zasilający powinien zostać wymieniony przez serwisanta autoryzowanego punktu serwisowego firmy Hoover.

Jeśli odkurzany obszar zawiera balkon lub schody, należy zapewnić barierę fizyczną, aby uniemożliwić dostęp na ten balkon lub schody i zapewnić bezpieczeństwo pracy. Należy nadzorować małe dzieci oraz zwierzęta domowe podczas pracy Robota.

Urządzenie należy zawsze przechowywać wewnątrz budynku. Nie wystawiać urządzenia na działanie warunków atmosferycznych, wilgoci lub źródeł ciepła (piecyk, kominek, wilgotna podłoga).

Nie należy wystawiać Robota lub jego akcesoriów na działanie bardzo wysokich lub bardzo niskich temperatur (optymalna temperatura pracy w zakresie 0 - 30°C).

Nie używaj Robota i jego akcesoriów, jeżeli zostały one upuszczone, zniszczone, pozostawione na zewnątrz lub zalane wodą.

Nie wolno odłączać lub ciągnąć za złącze przewodu zasilacza.

Nie używaj Robota do czyszczenia schodów.

Ładowanie akumulatora

Należy stosować wyłącznie ładowarkę dostarczoną wraz z urządzeniem.

Należy sprawdzić, czy napięcie zasilania w gniazdku jest zgodne z podanym na tabliczce znamionowej ładowarki. Nigdy nie ładować akumulatorów w temperaturze powyżej 30°C lub poniżej 0°C.

Ładowarkę dołączoną do urządzenia należy podłączyć do odpowiedniego gniazdka.

W razie ekstremalnych warunków użycia lub przy ekstremalnej temperaturze może dojść do wycieków z akumulatorów. W razie styczności cieczy ze skórą należy ją natychmiast przemyć wodą. Jeśli ciecz dostanie się do oczu, należy je bezzwłocznie przepłukać w ciepłej wodzie przez minimum 10 minut. Skontaktować się z lekarzem.

Nieznaczne nagrzewanie się ładowarki podczas ładowania jest normalnym zjawiskiem.

Należy korzystać wyłącznie z końcówek, materiałów eksploatacyjnych oraz części zamiennych zalecanych lub dostarczonych przez firmę Hoover.

Nie wolno wciągać twardych lub ostrych przedmiotów, zapalek, gorącego popiołu, niedopałków papierosów ani innych podobnych przedmiotów.

Nie wolno spryskiwać łatwopalnymi cieczami, środkami czyszczącymi w aerozolu ani ich oparami.

Nie wolno kontynuować eksploatacji uszkodzonego urządzenia lub ładowarki.

Serwis firmy Hoover: Aby zapewnić bezpieczne i sprawne działanie tego urządzenia, zalecamy zlecenie prac serwisowych lub napraw wyłącznie serwisantom autoryzowanego punktu serwisowego firmy Hoover.

Nie wolno używać urządzenia do odkurzania ludzi lub zwierząt.

Nie wymieniać akumulatorów Robota na baterie jednorazowe.

Jeśli Robot nie będzie eksploatowany przez dłuższy czas (kilka tygodni), należy wyjąć wtyczkę zasilacza sieciowego z gniazdka.

Utylizacja akumulatorów po ich zużyciu.

Jeżeli urządzenie ma być złomowane, należy z niego najpierw usunąć akumulatory. Podczas wyjmowania akumulatora urządzenie musi być odłączone od zasilania. Akumulatory należy utylizować w sposób bezpieczny dla środowiska. Włączyć urządzenie i pozwolić, aby pracowało aż do całkowitego wyczerpania akumulatorów. Zużyte akumulatory należy przekazać do recyklingu. Nie należy ich wyrzucać ze śmieciami domowymi. W celu wyjęcia akumulatorów należy skontaktować się z Centrum Serwisowym Hoover lub postępować zgodnie z następującymi instrukcjami.

Wyłączyć Robota i wyjąć wtyczkę przewodu zasilającego z gniazdka elektrycznego. Odwrócić Robota i umieścić na równej powierzchni. Odkręcić śruby i zdjąć pokrywę komory akumulatora. Wyjąć akumulator.

UWAGA: W razie napotkania jakichkolwiek problemów z demontażem lub w razie konieczności uzyskania dodatkowych informacji na temat sposobu utylizacji, złomowania i recyklingu urządzenia należy skontaktować się z lokalnym urzędem gminy lub komunalnym zakładem utylizacji odpadów.

ISTOTNE UWAGI PRZED UŻYCIEM

Przed użyciem Robota i jego akcesoriów, należy uważnie zapoznać się z poniższymi informacjami.

Nie wolno rozmontowywać Robota ani podejmować prób jego samodzielnej naprawy. W razie usterki skontaktować się z serwisem technicznym firmy Hoover.

Schody: Aby nie spaść ze stopni, schodów i krawędzi, Robot korzysta z czujników. W pewnych sytuacjach czujniki mogą nie pracować w pełni prawidłowo. Robot nie wykrywa stopni o wysokości mniejszej niż 8 cm. Stopnie niższe niż 8 cm mogą doprowadzić do upadku Robota. Aby nie dopuścić do upadku Robota, ustawić ewentualne strefy z zakazem wstępu lub wirtualne ściany za pomocą aplikacji.

Upadek Robota mogą spowodować też silnie odbijające lub bardzo ciemne powierzchnie stosowane na schodach i stopniach, np. szkło lub błyszcząca ceramika. Aby zabezpieczyć Robota przed upadkiem, ustawić ewentualne strefy z zakazem wstępu lub wirtualne ściany za pomocą aplikacji bądź umieścić na dolnym stopniu dywan.

Należy unikać korzystania z Robota na antresolach, podestach lub innych wyższych poziomach bez ograniczników. Aby nie dopuścić do wejścia Robota na te obszary, ustawić ewentualne strefy z zakazem wstępu lub wirtualne ściany za pomocą aplikacji.

Używanie baterii: Robot jest zasilany akumulatorami litowymi o dużej trwałości, Akumulatorki posiadają 6 miesięczną gwarancję, o ile są one używane i konserwowane zgodnie z niniejszą instrukcją.

W przypadku znacznego spadku wydajności Robota można wymienić jego akumulatory, które można nabyć u dystrybutora firmy Hoover.

W Robocie należy używać tylko te części zamienne, które zostały zatwierdzone przez firmę Hoover. Używanie innych części, niż te zatwierdzone przez firmę Hoover, jest niebezpieczne i powoduje utratę gwarancji urządzenia.

Do ładowania Robota należy używać tylko załączonej stacji ładującej i zasilacza. Użycie nieprawidłowej bazy ładującej lub ładowarki jest niebezpieczne i powoduje utratę gwarancji.

Pasma częstotliwości	2412 MHz to 2472 MHz
Maksymalna moc sygnału radiowego przenoszonego w paśmie częstotliwości	802.11 b: +15.95 dBm 802.11 g: +14.91 dBm 802.11 n20: +13.78 dBm

Ochrona środowiska

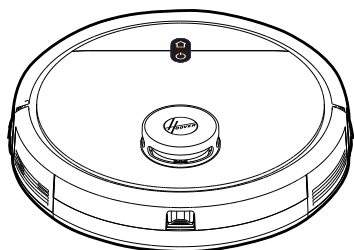
Symbol umieszczony na urządzeniu oznacza, że nie jest ono klasyfikowane jako odpad z gospodarstwa domowego. Urządzenie należy zdać w odpowiednim punkcie utylizacji w celu recyklingu komponentów elektrycznych i elektronicznych. Urządzenie należy złomować zgodnie z lokalnymi przepisami w sprawie utylizacji odpadów. Dodatkowe informacje na temat sposobu utylizacji, złomowania i recyklingu urządzenia można uzyskać w lokalnym urzędzie miejskim, w komunalnym zakładzie utylizacji odpadów lub w sklepie, w którym produkt został zakupiony.



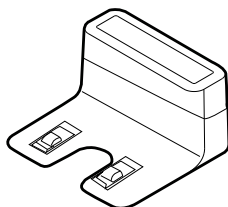
CE Urządzenie spełnia wymogi europejskich norm 2014/53/WE, 2014/30/WE oraz 2011/65/WE. Aby otrzymać kopię niniejszej deklaracji zgodności, proszę skontaktować się z producentem na stronie www.candy-group.com

CANDY HOOVER GROUP Srl Via Privata Eden Fumagalli, 20861 Brugherio (MB) Italy

ZAWARTOŚĆ OPAKOWANIA



Robot-Odkurzacz



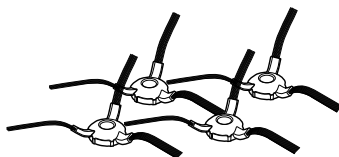
Stacja ładująca



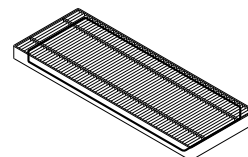
Instrukcja użytkownika



Główny zasilacz sieciowy



4 x szczotki krawędziowe

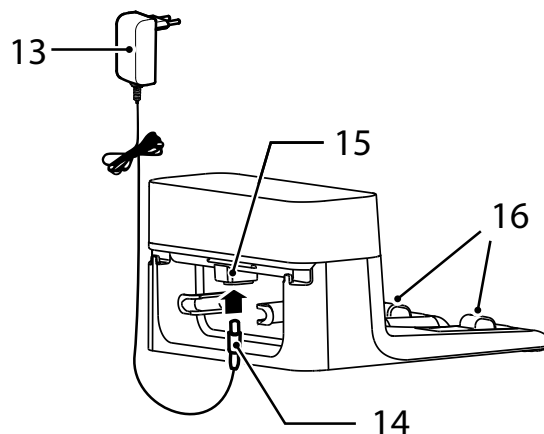
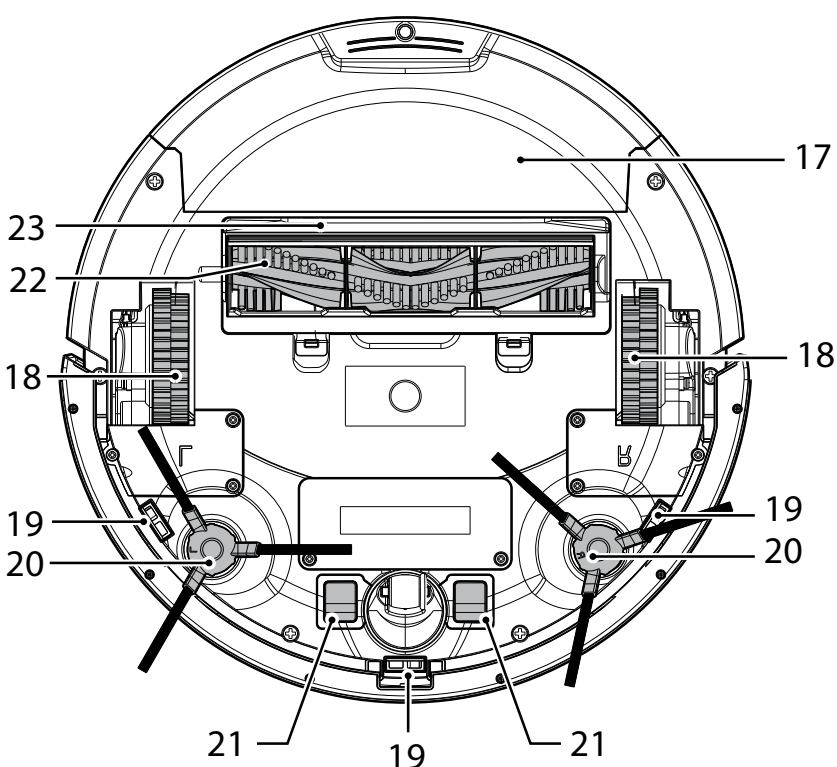
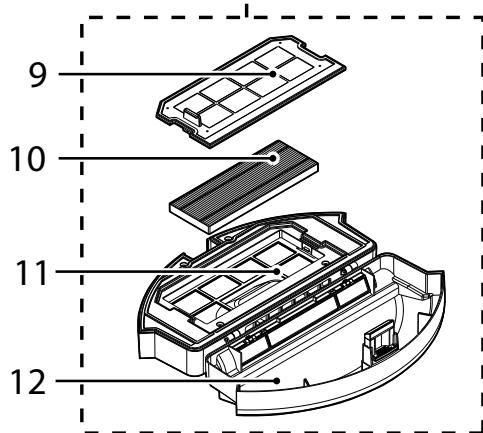
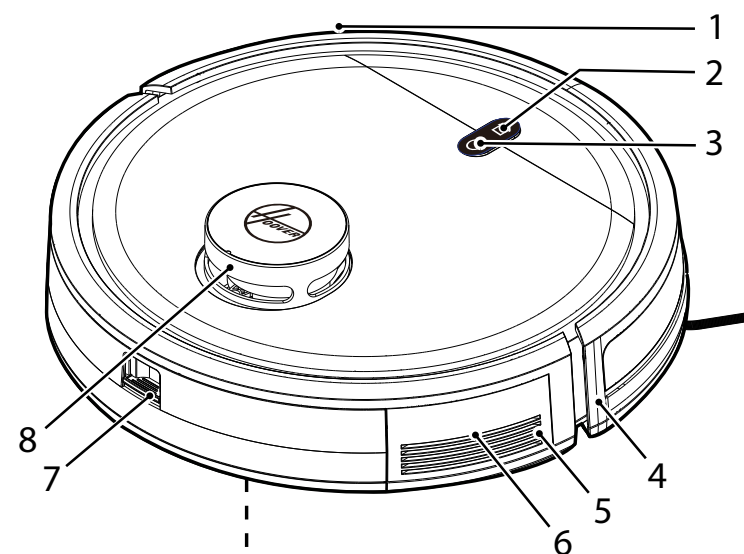


Dodatkowy filtr dla Robota



Szczotka czyszcząca

ELEMENTY ROBOTA-ODKURZACZA



1	Przedni zderzak
2	Przycisk HOME (baza ładująca)
3	Przycisk zasilania ON/OFF
4	Przedni odbiornik sygnału
5	Głośnik
6	Przycisk Reset (czerwony przycisk)
7	Przycisk zwalnający pojemnik na kurz
8	Wieża Lidar
9	Siateczka filtra
10	Filtr EPA
11	Górna pokrywa pojemnika na kurz
12	Dolna pokrywa pojemnika na kurz

13	Główny zasilacz sieciowy
14	Złącze zasilania
15	Gniazdo zasilania DC, stacja ładująca
16	Łączniki do ładowania ładownarki

17	Pojemnik na kurz
18	Koło napędzające
19	Czujnik zapobiegający upadkowi
20	Szczotka do czyszczenia krawędzi
21	Łączniki do ładowania robota
22	Szczotka obrotowa
23	Pokrywa górna szczotki obrotowej

PRZYGOTOWANIE ROBOTA-ODKURZACZA

PAKOWANIE

Nie wyrzucać opakowania Robota. Może przydać się w przyszłości, do potwierdzenia gwarancji. W czasie rozpakowywania Robota i jego akcesoriów należy trzymać plastikowe opakowania z dala od dzieci i zwierząt, ponieważ potencjalnie mogą się nimi udusić.

Przed pierwszym użyciem odkurzacz należy ładować przez 4-6 godzin. **[Rys. 1]**

Nie narażać zasilacza sieciowego Robota na temperatury poniżej 0°C ani powyżej 30°C, ponieważ może to doprowadzić do uszkodzenia akumulatora.

Zasilacz może zostać podłączony tylko do standardowego gniazdka zasilającego.

AKUMULATOR

Aby zapewnić optymalną wydajność akumulatora, Robot powinien on być zawsze naładowany.

Kiedy Robot nie pracuje, powinien być podłączony do bazy ładującej. Robot posiada inteligentny system ładowania. Zapobiega to nadmiernemu ładowaniu akumulatorów.

Aby zapobiec wypadkom, zawsze należy upewnić się, że wszystkie osoby w pokoju są świadome obecności Robota.

PRZYGOTOWYWANIE DOMU

Przed użyciem należy usunąć wszelkie przeszkody, które mogą się znajdować na ścieżce Robota.

Należy zwrócić uwagę na:

- Obiekty które mogą zostać łatwo przewrócone.
- Krawędzie wykładzin i dywanów, o które odkurzacz może zaczepić.
- Zastłony i obrusy sięgające podłogi.
- Źródła ciepła i obiekty łatwopalne.
- Kable i przewody.
- Kruche obiekty.

USTAWIENIE BAZY ŁADUJĄCEJ

1. Włożyć ładowarkę do gniazdka sieciowego i podłączyć do bazy ładującej. **[Rys. 2]**
2. Sprawdzić, czy przewód zasilający nie został przyciśnięty przez bazę ładującą.
3. Umieścić bazę ładującą na podłodze bez właściwości odbłaskowych, najlepiej tuż przy ścianie. Jeśli powierzchnia podłogi jest zbyt odbłaskowa, może to zakłócać działanie systemu nawigacyjnego Robota i może on mieć trudności z lokalizacją bazy ładującej.
4. Naokoło bazy ładującej, w odległości 2 m z przodu i 1 m z pozostałych stron, nie powinny się znajdować żadne obiekty. **[Rys. 2]**
5. Sprawdzić, czy przewód zasilający nie jest zaplątany lub naciągnięty. Jeżeli przewód jest zbyt długi, należy użyć specjalnych wiązań, aby był on przechowywany prawidłowo.
6. Sprawdzić, czy pojemnik na kurz jest prawidłowo włożony do Robota
7. Docisnąć dwie szczotki do czyszczenia krawędzi na wsporniki w taki sposób, aby się zatrzasnęły. Zwrócić uwagę na oznaczenie L i R na urządzeniu oraz na szczotkach. **[Rys. 3]**
8. Wyjąć gąbkę z Robota-Odkurzacza. Aby rozpocząć pracę, poprowadzić Robota do bazy ładującej. Przy normalnym użytkowaniu pełne naładowanie osiąga się po ok. 4/5 godzinach ładowania.

ŁADOWANIE AKUMULATORA [Rys. 4]

Nacisnąć przycisk ON/OFF na Robocie i przytrzymać przez 3 do 5 sekund, aby włączyć Robota. Ustawić go przed bazą ładującą.

Nacisnąć przycisk Home (baza ładująca) na Robocie. Upewnić się, że Robot rusza w kierunku bazy ładującej.

Aby zapewnić optymalną wydajność akumulatora, Robot powinien on być zawsze naładowany. Podczas ładowania akumulatora, przyciski ON/OFF oraz Home (baza ładująca) migają na biało. Jeśli akumulator jest w pełni naładowany, diody gasną.

Automatyczne ładowanie

Jeśli poziom naładowania akumulatora Robota jest niski podczas sesji odkurzania, Robot-Odkurzacz zaprzestanie odkurzania i zacznie szukać bazy ładującej, aby się naładować.

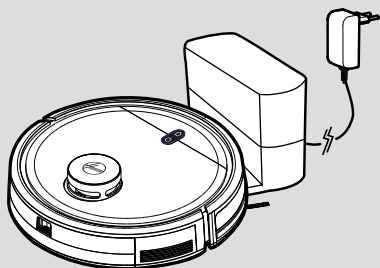
Kiedy Robot-Odkurzacz kończy sesję odkurzania, automatycznie przełącza się w tryb ładowania i zaczyna szukać bazy ładującej, aby się naładować.

UWAGA: Sprawdzić, czy łączniki do ładowania Robota oraz bazy ładującej nie są brudne. W razie konieczności wyczyścić łączniki.

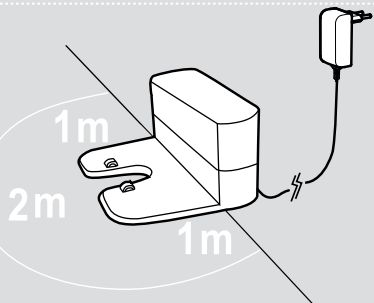
Jeśli nie można włączyć Robota z powodu niskiego poziomu naładowania, należy ręcznie przenieść go do bazy ładującej, aby się naładował. Łączniki do ładowania powinny być wyrównane. Nie wolno wkładać szczotki do czyszczenia krawędzi pomiędzy łączniki do ładowania.

Akumulator

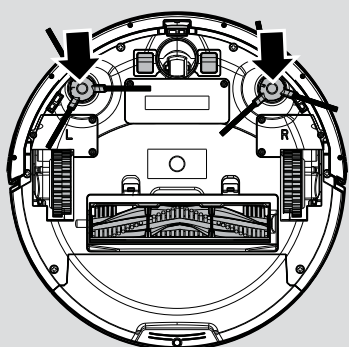
Wraz z upływem czasu pojemność akumulatora w Robocie będzie się zmniejszać i konieczna może być wymiana. Akumulator na wymianę można nabyć u autoryzowanego sprzedawcy Hoover. Stosować wyłącznie oryginalne części zamienne części i akcesoria Hoover.



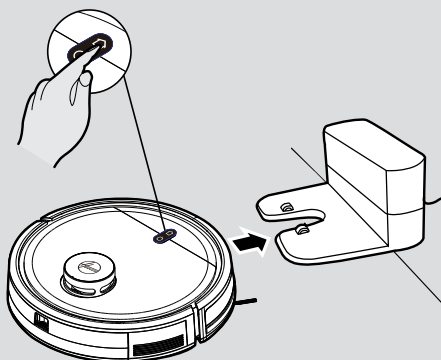
Rys. 1



Rys. 2



Rys. 3



Rys. 4

KORZYSTANIE Z ROBOTA-ODKURZACZA

• Przycisk Home (baza ładowująca)

Krótkie naciśnięcie: Ładowanie

Długie naciśnięcie: Połączenie z aplikacją

Wskaźnik świetlny:

Miganie białej kontrolki: ładowanie

Szybkie miganie białej kontrolki: Połączenie z aplikacją

• Przycisk zasilania ON/OFF

Długie naciśnięcie: włączenie zasilania (jeśli Robot jest wyłączony)

Długie naciśnięcie: wyłączenie zasilania (jeśli Robot jest włączony)

Krótkie naciśnięcie: Start/Przerwa (jeśli robot jest w trybie uśpienia)

Wskaźnik świetlny:

Miganie niebieskiej kontrolki: tryb czuwania

Stale świecenie niebieskiej kontrolki: tryb pracy

Wyłączenie niebieskiej kontrolki: tryb uśpienia

1. Proces roboczy Robot: tryb uśpienia > tryb czuwania > tryb pracy

A. Tryb uśpienia: Kiedy Robot jest w trybie czuwania i nie pracował od 3 minut, automatycznie przechodzi w tryb uśpienia. Kiedy Robot jest w trybie uśpienia, kontrolka przycisku gaśnie i Robot się nie porusza.

B. Tryb czuwania: Kiedy Robot jest w trybie czuwania, kontrolka przycisku miga na niebiesko i Robot się nie porusza.

C. Tryb pracy: Kiedy Robot pracuje, kontrolka przycisku świeci zawsze na niebiesko, a Robot wykonuje sesję odkurzania.

2. Przerwa

Przerwa oznacza, że Robot jest przełączony z trybu pracy w tryb czuwania. Można tego dokonać poprzez naciśnięcie przycisku „ON/OFF” na Robocie lub za pośrednictwem aplikacji mobilnej.

Uwaga! [Rys. 5]

Jeśli Robot jest w trybie uśpienia: naciśnięcie dwa razy przycisku „ON/OFF” na Robocie spowoduje, że rozpocznie on odkurzanie.

Jeśli Robot nie był używany przez długi czas, naciśnięcie i przytrzymanie przycisku „ON/OFF” spowoduje wyłączenie Robot. W razie zawieszenia się Robotu należy nacisnąć i przytrzymać przez 2-3 sekundy przycisk Reset na głośniku przy igle poniżej 2 mm, aby wymusić wyłączenie.

POBIERANIE APLIKACJI I POŁĄCZENIE ZA POMOCĄ WIFI [Rys. 6]

Aby móc uzyskać dostęp do wszystkich funkcji Robot z dowolnego miejsca, zaleca się pobranie aplikacji HG5 APP. Dzięki temu będziesz w stanie kontrolować robota w najbardziej efektywny sposób.

1. Pobierz aplikację „HG5” z App Store, Google Play lub APP Gallery.
2. Otwórz aplikację i utwórz konto za pomocą swojego e-maila oraz hasła. Potwierdź login.
3. Upewnij się, że Twoje urządzenie przenośne jest podłączone do sieci Wi-Fi.
4. Kliknij „dodaj urządzenie” w aplikacji i postępuj zgodnie z poleceniami, aby dokonać sparowania.

OSTRZEŻENIE

Nazwa WiFi nie może przekraczać 32 znaków.

Jeśli połączenie zostało zerwane, wykonaj poniższe kroki:

- Upewnij się, że wprowadziłeś poprawne hasło WIFI do routera
- Upewnij się, że sieć WiFi jest ustawiona na 2,4GHz
- Upewnij się, że robot znajduje się niedaleko routera.

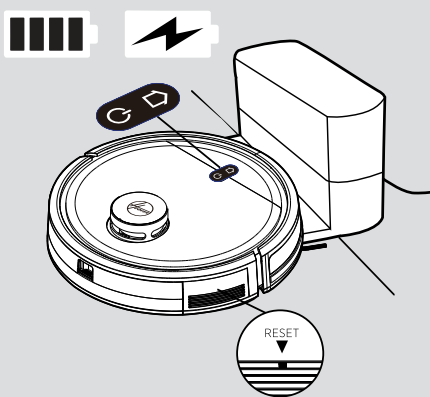
Z APLIKACJĄ HG5

Po udanym sparowaniu Robotu możesz utworzyć mapę swojego domu. Da Ci to dostęp do w pełni personalizowanych ustawień oraz harmonogramów odkurzania Robotu.

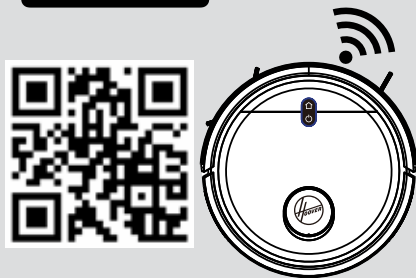
Kliknij ikonę Robotu, aby wejść na stronę mapy. Pamiętaj o usunięciu wszelkich przeszkód z podłogi (kable, skarpetki, butów) przed włączeniem Robotu.

Kliknij przycisk POWER ON, aby Robot zaczął sporządzanie mapy mieszkania. Na stronie głównej będzie widać tworzenie mapy. Po przeskanowaniu przez Robot całego mieszkania, w telefonie pojawi się kompletna mapa. Można nadać nazwy poszczególnym pomieszczeniom, spersonalizować je oraz utworzyć dedykowany harmonogram odkurzania (poziom mocy ssania, częstotliwość mopowania, częstotliwość odkurzania itp.).

- Czas odkurzania: informuje o długości trwania ostatniej sesji odkurzania
- Odkurzony obszar: informuje o powierzchni w metrach kwadratowych odkurzonej przez Robotu podczas ostatniej sesji odkurzania
- Akumulator: aktualny poziom akumulatora



Rys. 5



Rys. 6

- **WŁĄCZANIE** (🔌)

Robot rozpoczyna odkurzanie zgodnie z aktualnymi ustawieniami odkurzania.

- **POWRÓT DO ŁADOWANIA** (🔌)

Robot powróci do bazy ładowania.

* Włączą się wszystkie pozostałe ikony i będą dostępne dopiero po kliknięciu ikony Włączenie.

- **IDŹ DO MIEJSCA** (📍)

Wybierz konkretne miejsce na mapie, a Robot tam pójdzie i rozpocznie sesję odkurzania zgodnie z aktualnymi ustawieniami odkurzania.

- **WYBIERZ POKÓJ** (🏠)

Wybierz konkretny pokój na mapie, a Robot tam pójdzie i rozpocznie sesję odkurzania zgodnie z ustawieniami odkurzania danego pokoju.

- **WYBIERZ OBSZAR** (📏)

Wybierz konkretny obszar na mapie, a Robot tam pójdzie i rozpocznie sesję odkurzania zgodnie z aktualnymi ustawieniami odkurzania.

- **OBSZARY Z ZAKAZEM WSTĘPU** (🚫)

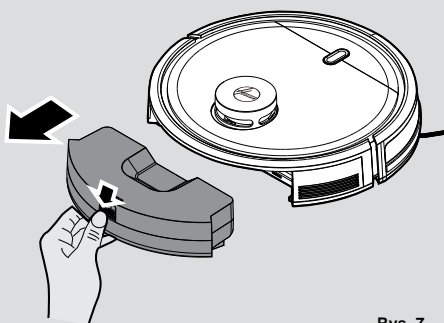
Zdefiniuj konkretny obszar, na który Robot nie będzie mógł wchodzić. Można zdefiniować obszary z zakazem wstępu dotyczące mopowania, odkurzania lub obu tych czynności.

- **PERSONALIZUJ** (👤)

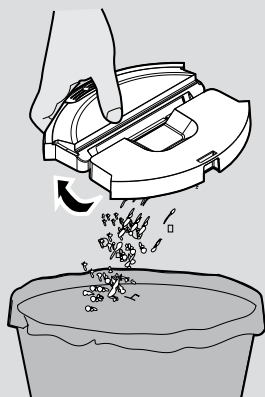
Spersonalizuj pomieszczenia na mapie. Można łączyć lub dzielić poszczególne pomieszczenia, w pełni resetować mapę, zmieniać nazwy pomieszczeń, ustawiać harmonogram czyszczenia dla każdego pomieszczenia, ustawiać kolejność czyszczenia dla pomieszczeń.

- **USTAWIENIA** (⋮)

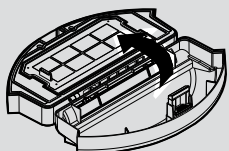
Pełna lista ustawień Robota



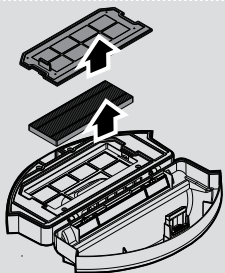
Rys. 7



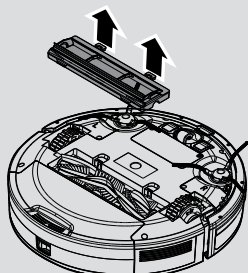
Rys. 8



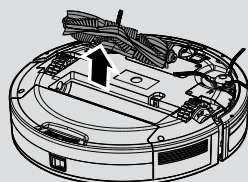
Rys. 9



Rys. 10



Rys. 11



Rys. 12

KONSERWACJA ROBOTA-ODKURZACZA

OPRÓŻNIANIE POJEMNIKA NA KURZ

Przed przystąpieniem do jakichkolwiek czynności konserwacyjnych należy wyłączyć Robota.

1. Wyłączyć robota i wyjąć go z bazy ładowującej.
2. Do czyszczenia wszystkich powierzchni użyć suchej ściereczki. **NIE POZWOLIĆ** na dostanie się wody do żadnej z części urządzenia w trakcie czyszczenia.

Po odkurzeniu wyjąć pojemnik na kurz.

1. Nacisnąć przycisk zwalniający i wyjąć go. [Rys. 7]
2. Opróżnić pojemnik na kurz do kosza. [Rys. 8]
3. Jeśli to konieczne, użyć szczotki do czyszczenia, aby usunąć nadmiar kurzu z wewnętrznej powierzchni pojemnika na kurz lub z powierzchni filtra
4. Zamontować pojemnik na kurz z powrotem na Robocie

CZYSZCZENIE FILTRÓW

Robot posiada zamontowany filtr przed silnikiem. Aby utrzymać optymalne wyniki odkurzania, należy regularnie czyścić pokrywę filtra oraz filtr przed silnikiem. Należy to robić po każdym 5. opróżnieniu pojemnika na kurz. Nie wolno myć ich w wodzie.

1. Po odkurzeniu wyjąć pojemnik na kurz. W tym celu nacisnąć przycisk zwolnienia i wyjąć pojemnik. [Rys. 7]
2. Opróżnić pojemnik na kurz [Rys. 8] Otworzyć pojemnik na kurz, wyjąć siatkę filtra wraz z filtrem, a następnie wyjąć filtr EPA z siatki filtra i wyczyścić je oddzielnie. Montaż przeprowadzić w odwrotnej kolejności. Sprawdzić, czy filtr został prawidłowo złożony. [Rys. 9,10]

WAŻNE: Regularnie sprawdzać i konserwować filtry zgodnie z instrukcjami konserwacji filtrów. Pozwoli to na utrzymanie maksymalnych osiągnięć odkurzania.

W razie uszkodzenia siatki filtra oraz samego filtra należy natychmiast wymontować i wymienić na nowe zanim dojdzie do uszkodzenia silnika odkurzacza.

CZYSZCZENIE SZCZOTEK OBROTOWYCH

Regularnie czyścić szczotki obrotowe, aby uzyskiwać optymalne wyniki odkurzania.

1. Wyłączyć Robota i odwrócić go.
2. Nacisnąć klipsy na podstawie i zdjąć szczotki obrotowe. [Rys. 11]
3. Podnieść szczotkę obrotową za jeden koniec. [Rys. 12]
4. Użyć szczotki czyszczącej do usunięcia ewentualnych zatorów ze szczotki obrotowej oraz zabrudzeń z włosa. Nie zgubić gumowej tulei łożyska kulkowego.
5. Po odkurzeniu odłożyć szczotkę obrotową oraz jej pokrywę z powrotem do Robota.

Ostrożność: Wszystkie czynności konserwacji powinny być wykonywane po uprzednim wyjęciu pojemnika na kurz, aby nie dopuścić do przypadkowego jego opróżnienia.

CZYSZCZENIE SZCZOTEK DO KRAWĘDZI

Kiedy szczotki do krawędzi będą brudne, oczyścić je czystą wodą i osuszyć przed użyciem; jeśli szczotka do krawędzi jest uszkodzona i nie może normalnie pracować, wymienić ją na nową.

Uwaga!

Podczas wymiany szczotek do krawędzi odpowiednio dopasować znaki „L” oraz „R” na szczotce ze znakami „L” i „R” na spodzie Roboty.

CZYSZCZENIE KÓŁEK [Rys. 13]

1. Wyłączyć Robotę i odwrócić go.
2. Usunąć brud lub włosy nagromadzone w kołach.
3. Oczyścić koła za pomocą suchej szmatki.

CZYSZCZENIE SOCZEWKI CZUJNIKA PRZECIWUPADKOWEGO [Rys. 14]

Aby utrzymać bezpieczną pracę robota, wszystkie czujniki zapobiegające upadkowi powinny być czyste. Robot ma na spodzie zamontowane 3 czujniki. Obrócić Robotę do góry nogami, oczyścić je delikatną suchą ściereczką, aby usunąć nagromadzony kurz i brud.

WYMIANA AKUMULATORÓW [Rys. 15]

1. Odkręcić śrubokrętem śruby z pokrywy akumulatora na spodzie Roboty;
2. Usunąć pokrywę baterii.
3. Odłączyć złącze i wyjąć akumulator z komory;
4. Włożyć do komory nowy akumulator i podłączyć do złącza. Zwrócić uwagę na poprawność podłączenia złącza i przewodów. Założyć z powrotem pokrywę komory akumulatora i przykręcić śruby.
5. Włączyć zasilanie, aby sprawdzić, czy wszystko działa prawidłowo.

Uwaga!

Oddać zużyte akumulatory do utylizacji w sposób przyjazny do środowiska. Nie zanieczyszczać środowiska.

WAŻNE INFORMACJE

W Robocie stosować wyłącznie zatwierdzone części zamienne.

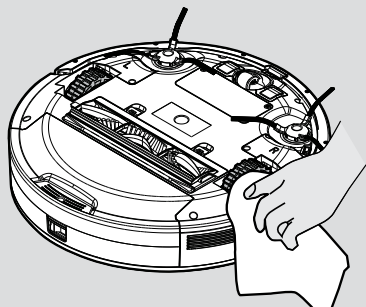
Używanie innych części niż te zatwierdzone przez firmę Hoover, jest niebezpieczne i powoduje utratę gwarancji urządzenia.

Jeśli Robot nie będzie używany przez kilka miesięcy, należy wyjąć akumulatory i przechowywać je w chłodnym i suchym miejscu.

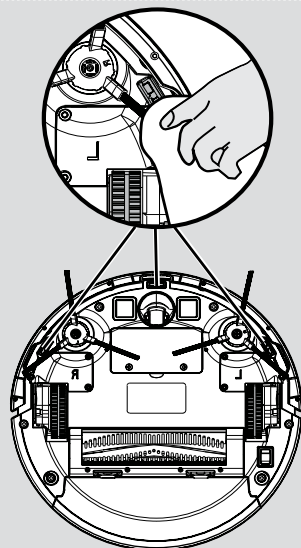
WAŻNE: Przed przystąpieniem do konserwacji zawsze należy sprawdzać, czy urządzenie jest wyłączone. Zawsze używaj dwóch rąk do podnoszenia i przenoszenia robota, a także upewnij się, że jest on trzymany w poziomie. [Rys. 16]

Podczas podnoszenia Roboty-Odkurzacza, nie chwytać za pojemnik na kurz, aby nie doszło do jego przypadkowego otwarcia. [Rys. 17]

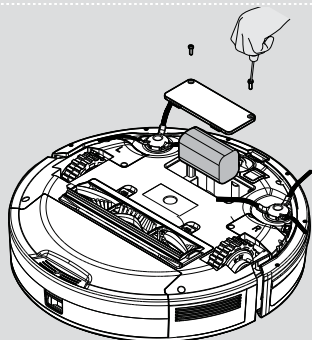
Należy unikać używania robota czyszczącego w bezpośrednim świetle słonecznym lub na ciemnych polerowanych powierzchniach, ponieważ te warunki będą miały negatywny wpływ na zachowanie robota.



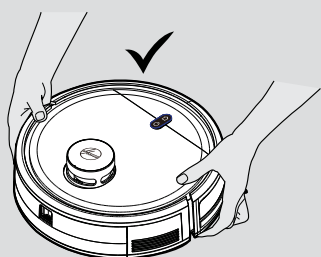
Rys. 13



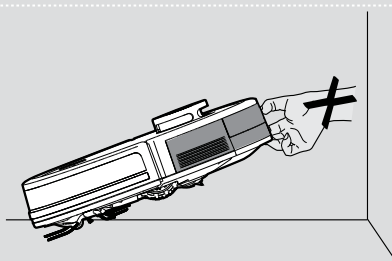
Rys. 14



Rys. 15



Rys. 16



Rys. 17

ROZWIĄZYWANIE PROBLEMÓW

W razie wystąpienia jakiegokolwiek problemu z Robotem przed skontaktowaniem się z lokalnym serwisem firmy Hoover należy przeprowadzić proste kontrole zgodnie z poniższą listą.

• Robot nie działa po włączeniu

Wskaźnik świetlny: przycisków ON/OFF oraz Home	Działania
Miganie na biało i niebiesko	Sprawdzić, czy szczotki do krawędzi są czyste i prawidłowo założone
	Sprawdzić, czy szczotka obrotowa jest czysta i prawidłowo założona
Świecenie na biało	Sprawdzić, czy pojemnik na kurz jest prawidłowo włożony
Miganie na biało i jasnoniebiesko	Sprawdzić, czy koła napędowe są czyste i sprawne
Miganie na niebiesko i jasnoniebiesko	Sprawdzić, czy czujniki przeciwupadkowe oraz przedni zderzak są czyste i sprawne
Miganie na biało	Sprawdzić, czy wieża Lidar działa

• Robot nie ładuje się automatycznie

Sprawdzić, czy nie ma żadnych barier między Robotem a bazą ładującą, żadnych przedmiotów w obszarze wokół bazy ładującej w odległości 2 m od przodu oraz 1 metra z każdej strony.

• Robot jest zablokowany.

Robot będzie próbować się uwolnić, lecz w niektórych przypadkach należy mu pomóc ręcznie.

• Robot jest bardzo głośny czasie pracy

Wyczyścić zbiornik na kurz i filtr, wyczyścić i sprawdzić szczotkę obrotową oraz koła napędowe.

• Moc czyszczenia jest słaba

Wyczyścić zbiornik na kurz i filtr, wyczyścić i sprawdzić szczotkę obrotową oraz koła napędowe.

WAŻNE INFORMACJE

CZĘŚCI ZAPASOWE I MATERIAŁY EKSPLOATACYJNE MARKI HOOVER

Należy zawsze wymieniać części na oryginalne części zapasowe firmy Hoover. Można je nabyć w lokalnym serwisie firmy Hoover lub bezpośrednio w firmie Hoover. Przy zamawianiu części zawsze należy podać numer danego modelu.

Jakość

Fabryki firmy Hoover zostały poddane niezależnej kontroli pod kątem jakości. Nasze produkty zostały wytworzone z wykorzystaniem systemu kontroli jakości spełniającego wymogi normy ISO 9001.

GWARANCJA

Warunki gwarancji na niniejsze urządzenie są określone przez naszego przedstawiciela w kraju, w którym urządzenie jest sprzedawane. Szczegółowe informacje na temat warunków gwarancji można uzyskać w punkcie, w którym urządzenie zostało nabyte. Przy zgłaszaniu wszelkich roszczeń w ramach gwarancji należy przedstawić dowód sprzedaży lub pokwitowanie.

Zastrzegamy sobie możliwość wprowadzania zmian bez wcześniejszego powiadomienia.

NÁVOD K BEZPEČNÉMU POUŽITÍ

Tento vysavač by měl být používán pouze pro úklid domácnosti a v souladu s touto uživatelskou příručkou. Než začnete spotřebič používat, prosím, ujistěte se, že rozumíte tomuto návodu.

Po použití, před čištěním nebo jakoukoli údržbou zařízení vždy vypněte a síťový kabel vytáhněte ze zásuvky.

Tento přístroj smí používat děti od 8 let výše. Osoby se sníženými fyzickými, smyslovými nebo mentálními schopnostmi nebo s nedostatkem zkušeností a znalostí smí tento přístroj používat, pokud jsou pod dohledem nebo jim byly dány pokyny týkající se bezpečného používání a byly seznámeny s možnými riziky. S přístrojem si nesmí hrát děti. Čištění a údržbu nesmí provádět děti bez dozoru.

Jestliže je poškozen síťový kabel, okamžitě přestaňte zařízení používat. Síťový kabel musí vyměnit autorizovaný servisní technik společnosti Hoover, aby se předešlo ohrožení bezpečnosti.

Pokud jsou v místech, kde budete vysavač používat, schody nebo balkon, zamezte na ně přístup fyzickou bariérou. Tím zajistíte bezpečný provoz vysavače. Během provozu by měli být malé děti a zvířata pod dohledem.

Vysavač vždy ukládejte na vhodném místě uvnitř. Zařízení nepoužívejte venku a nevystavujte jej vnějším vlivům, vlhkosti, nebo zdrojům tepla (trouba, ohniště, mokrá podlaha).

Nevystavujte robotický vysavač a jeho příslušenství nadměrnému teplu/chladu (udržujte jej v rozmezí 0-30°C).

Nepoužívejte robotický vysavač nebo kterékoliv příslušenství v případě, že bylo vystaveno pádu nebo poškození, ponecháno v nepříznivých podmínkách venku nebo upuštěno do vody.

Nikdy neodpojujte síťový adaptér taháním za něj.

Nepoužívejte k čištění schodů.

Nabíjení baterie

K dobíjení používejte pouze nabíječku dodanou se zařízením.

Zkontrolujte, zda napětí a hodnoty uvedené na štítku nabíječky odpovídají napětí v místní síti.

Nikdy nenabíjejte baterie při teplotě vyšší než 30°C nebo nižší než 0°C.

Zapojte nabíječku dodanou se zařízením do vhodné zásuvky.

Při extrémním použití a teplotních podmínkách může dojít k únikům z článků baterie. Pokud se tekutina dostane do styku s pokožkou, je nutné ji rychle omýt vodou. Pokud se vám tekutina dostane do očí, okamžitě je začněte vymývat čistou vodou a pokračujte alespoň 10 minut.

Vyhledejte lékařskou pomoc.

Je běžné, že se nabíječka při nabíjení zahřívá.

Používejte výhradně příslušenství, spotřební materiály a náhradní díly doporučené nebo dodávané firmou Hoover.

Nevysávejte tvrdé nebo ostré předměty, zápalky, žhavý popel, cigaretové nedopalky apod.

Nestříkejte při používání nebo nevysávejte hořlavé kapaliny, čisticí tekutiny, aerosoly nebo jejich výpary.

Nepoužívejte zařízení nebo nabíječku, pokud vám připadají vadné.

Autorizované servisní středisko Hoover najdete na internetových stránkách: www.hoover.cz/cs_CZ/servis.

Spolehlivý provoz a vysoká účinnost tohoto spotřebiče jsou zajištěny pouze v případě, že bude prováděn pravidelný servis a opravy, které musí zajišťovat autorizovaný servisní technik společnosti Hoover.

Nepoužívejte zařízení k čištění zvířat a osob.

Nenahrazujte baterie robotického vysavače jinými, které nelze dobíjet.

Jestliže nebude robotický vysavač déle používán (po několik týdnů) vytáhněte síťový adaptér ze zásuvky.

Likvidace použitých baterií.

Před likvidací zařízení z něj nejprve vyjměte baterie. Před odstraněním baterie se ujistěte, že je výrobek odpojen od elektrické sítě. Zlikvidujte baterie bezpečně a ekologicky. Používejte zařízení dokud baterie nejsou plně vybité. Použité baterie by měly být přijaté do recyklační stanice a nesmějí být vyhazované dohromady s domovním odpadem. Pro vyjmutí baterií prosím kontaktujte Zákaznické servisní středisko Hoover, které najdete na internetových stránkách www.hoover.cz/cs_CZ/servis nebo postupujte podle následujících pokynů:

Odpojte nabíječku a robota vypněte. Otočte vysavač a umístěte na rovný povrch. Odstraňte šrouby a kryt prostoru pro baterie. Vytáhněte baterii.

POZNÁMKA: Budete-li mít při demontáži jednotky jakékoli problémy nebo budete-li požadovat podrobnější informace o manipulaci, novém využití a recyklaci tohoto výrobku, kontaktujte, prosím, místní úřad nebo středisko sběrných surovin.

DŮLEŽITÁ UPOZORNĚNÍ PŘED POUŽITÍM

Před použitím robotického vysavače nebo příslušenství si přečtete pečlivě následující informace.

Nepokoušejte se robotický vysavač sami rozmontovat nebo opravit. Pokud nastane problém, kontaktujte Zákaznické servisní středisko Hoover.

Kontakt naleznete na stránkách www.hoover.cz/cs_CZ/servis.

Schody: Robotický vysavač je vybaven senzory proti pádu ze schodů nebo přes hranu. V některých situacích mohou být senzory zmatené.

Vysavač nedokáže rozpoznat schody nižší než 8 cm. Jsou-li schody nižší než 8 cm, může to způsobit pád vysavače. Pokud je k dispozici, nastavte oblasti bez cíle nebo virtuální stěny v aplikaci a ochraňte robotický vysavač před pádem.

Lesklé, nebo velmi tmavé povrchy, používané na některých schodech, jako sklo nebo leštěná keramika mohou způsobit pád vysavače. Pokud je k dispozici, nastavte oblasti bez cíle nebo virtuální stěny v aplikaci a nebo na dolní schod položte koberec, abyste zamezili pádu vysavače.

Měli byste se vyvarovat použití vašeho robotického vysavače na mezipatech, podestácích nebo vyvýšených oblastech bez ohraničení. Pokud je k dispozici, nastavte oblasti bez cíle nebo virtuální stěny v aplikaci a zabraňte vstupu robotického vysavače do těchto oblastí.

Použití baterie: Váš robotický vysavač je napájen nabíjecími, vysokokapacitními lithiovými bateriemi. Funkčnost těchto nabíjecích baterií je garantována po dobu 6 měsíců, jsou-li používány v souladu s tímto návodem.

V případě významného snížení výkonnosti vysavače lze náhradní baterie získat od partnerského servisu společnosti Hoover.

Použijte pro váš vysavač pouze náhradní díly schválené společností či partnerským servisem Hoover. Použitím dílů, které nebyly schváleny firmou Hoover, se vystavujete nebezpečí a přicházíte o záruku.


K dobíjení vysavače používejte pouze dodanou nabíjecí základnu a nabíječku. Použití nesprávné nabíjecí základny nebo nabíječky je nebezpečné a ruší se jí platnost záruky.

Frekvenční pásma	2412 MHz to 2472 MHz
Maximální radiofrekvenční výkon přenášený ve frekvenčním pásmu	802.11 b: +15.95 dBm 802.11 g: +14.91 dBm 802.11 n20: +13.78 dBm

Životní prostředí

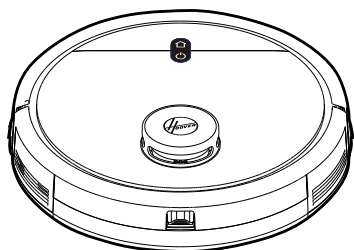
Symbol na tomto zařízení označuje, že tento výrobek nesmí být likvidován jako domovní odpad. Zařízení musí být předáno do příslušného sběrného místa pro likvidaci elektrických a elektronických zařízení. Likvidace musí proběhnout v souladu s místními ekologickými předpisy pro likvidaci odpadu. Pro další podrobné informace o zacházení, novém použití a likvidaci tohoto zařízení, prosím, kontaktujte váš místní úřad, společnost pro sběr odpadu nebo obchod, kde jste jej zakoupili.



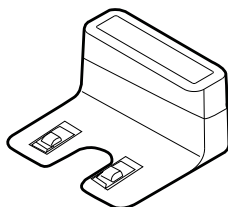
 Tento spotřebič je v souladu s evropskými směrnicemi 2014/53/EU a 2011/65/EU. Chcete-li obdržet kopii prohlášení o shodě, prosím, kontaktujte výrobce na www.hoover.cz

CANDY HOOVER GROUP Srl Via Privata Eden Fumagalli, 20861 Brugherio (MB) Italy

OBSAH BALENÍ



Robotický vysavač



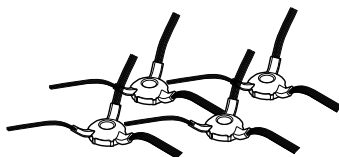
Nabíjecí základna



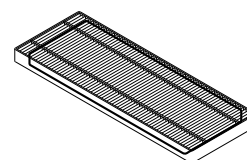
Návod k použití



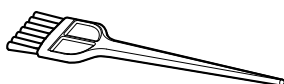
Nabíječka



4x Kartáč na
čištění okrajů

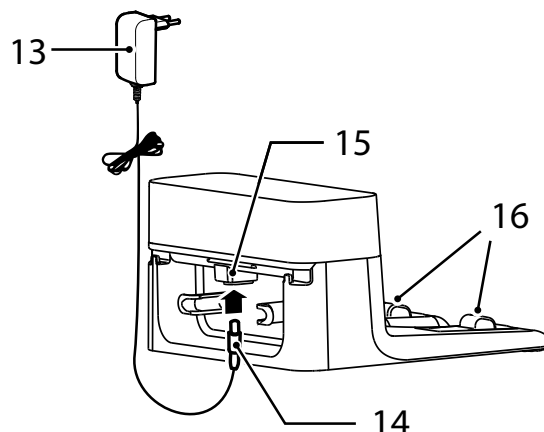
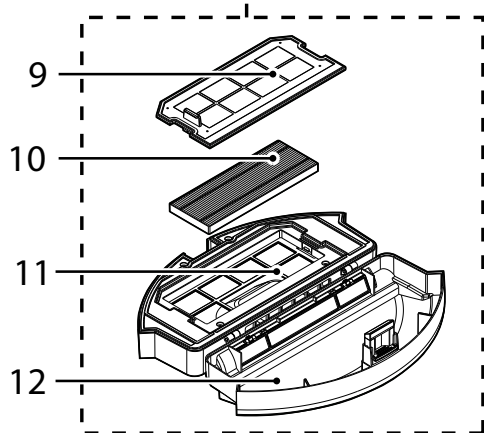
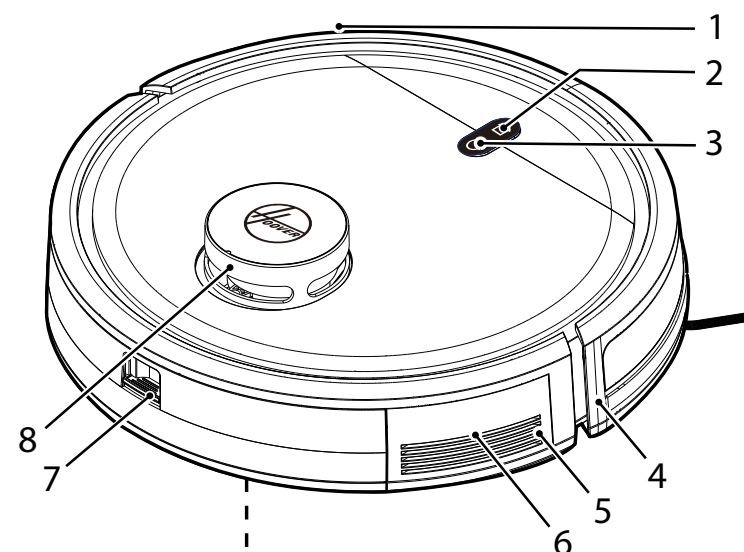


Další filtr pro
robotický vysavač

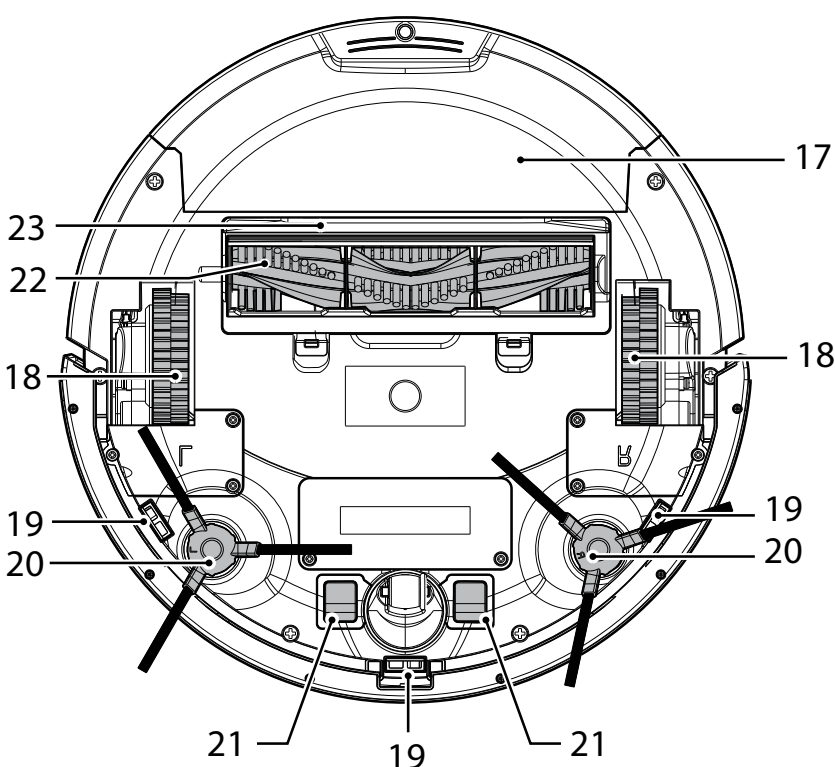


Čisticí kartáček

POZNEJTE SVŮJ ROBOTICKÝ VYSAVAČ



1	Přední nárazník
2	Tlačítko HOME (Domů) (dobíjecí základna)
3	Tlačítko zapnout/vypnout
4	Přijímač signálu vpředu
5	Reproduktor
6	Tlačítko Reset (červené tlačítko)
7	Uvolňovací tlačítko nádoby na prach
8	Laserový skener
9	Sítka filtru
10	Filtr EPA
11	Horní kryt nádoby na prach
12	Dolní kryt nádoby na prach



13	Nabíječka
14	Přípojka do zásuvky
15	Síťový konektor nabíjecí základny
16	Kontakty nabíječky

17	Nádoba na prach
18	Pojzdové kolo
19	Senzor proti pádu
20	Kartáč na čištění okrajů
21	Nabíjecí kontakty
22	Rotační kartáč
23	Horní kryt rotačního kartáče

PŘIPRAVTE SVŮJ ROBOTICKÝ VYSAVAČ

BALENÍ

Nevyhazujte obal vašeho robotického vysavače. V budoucnu může být vyžadován pro platnost vaší záruky.

Při rozbalování Vašeho Robota a příslušenství neumožněte přístup k plastovým obalům batolátům, dětem a zvířatům, aby nedošlo k udušení.

Před prvním použitím vložte vysavač do nabíjecí základny na 4-6 hodin. **[Obr. 1]**

Nevystavujte síťový adaptér vysavače teplotám pod 0°C nebo nad 30°C, mohlo by dojít k poškození baterie.

Síťový adaptér připojte pouze ke standardní síťové zásuvce.

BATERIE

Pro dosažení optimálního výkonu baterie doporučujeme, aby baterie vysavače byly plně nabité.

Není-li vysavač Robot používán, měl by být ponechán připojený k nabíjecí základně. Vysavač je vybaven inteligentním systémem nabíjení. Ten zabraňuje přebíjení baterií.

Ujistěte se, že všechny osoby v místnosti ví o přítomnosti robotického vysavače, aby nedošlo k nehodě.

PŘIPRAVTE SVŮJ DOMOV

Před použitím odstraňte překážky, které se mohou dostat do cesty robotickému vysavači. Věnujte pozornost:

- Předmětům, které se dají snadno převrátit.
- Okrajům koberců nebo předložkám, na kterých se může zachytit.
- Záclonám, sahajícím na podlahu a ubrusům.
- Zdrojům tepla a hořlavým předmětům.
- Napájecím a jiným kabelům.
- Křehkým objektům.

NASTAVENÍ NABÍJECÍ ZÁKLADNY

1. Připojte napájecí adaptér k nabíjecí základně a do zásuvky. **[Obr. 2]**

2. Ujistěte se, že napájecí kabel není zachycen pod nabíjecí základnou.

3. Umístěte nabíjecí základnu na nereflexní rovnou podlahu, nejlépe proti zdi. Pokud je povrch podlahy příliš reflexní, bude rušit navigační systém vysavače, a ten může mít obtíže s nalezením nabíjecí základny.

4. Ve vzdálenostech 2 m před a 1 m po stranách kolem nabíjecí základny by se neměly vyskytovat žádné předměty. **[Obr. 2]**

5. Ujistěte se, že napájecí kabel není zamotaný nebo příliš napnutý. Pokud někde přebývá část napájecího kabelu, uložte ji pomocí spony.

6. Zkontrolujte, zda je nádoba na prach řádně zasunuta do robotického vysavače

7. Zatláchte oba okrajové čisticí kartáčky do držáků, až zacvaknou. Věnujte pozornost označení L a R na zařízení i kartáčích. **[Obr. 3]**

8. Vyměňte houbičky z robotického vysavače. Navedte robotický vysavač do nabíjecí základny. Při běžném použití, bude zapotřebí přibližně 4 až 5 hodin k úplnému nabití.

NABÍJENÍ BATERIE [Obr. 4]

Dlouhým stiskem tlačítka ON/OFF (ZAP/VYP) na 3 až 5 sekund robotický vysavač zapnete, pak jej postavte dolů před nabíjecí základnu.

Stiskněte tlačítko Home (Domů) (nabíjecí základna) na robotickém vysavači a zkontrolujte, zda se pohybuje k nabíjecí základně.

Pro dosažení optimálního výkonu baterie se doporučuje, aby baterie robotického vysavače byly plně nabité.

Když se baterie nabíjí, tlačítka ON/OFF (Zap/Vyp) a Home (Domů) (nabíjecí základna) blikají bíle.

Pokud je baterie plně nabitá, světla nesvítí.

Automatické nabíjení

Pokud je kapacita baterie robotického vysavače nízká během čištění, robotický vysavač zastaví činnost, začne vyhledávat nabíjecí základnu, aby se dobil.

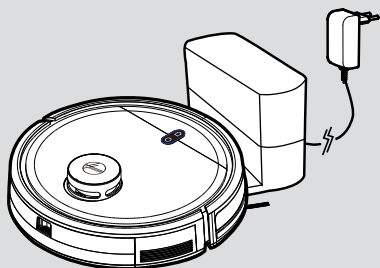
Když robotický vysavač dokončí čištění, automaticky přepne do režimu dobíjení a začne hledat nabíjecí základnu, aby se dobil.

POZNÁMKA: Ujistěte se, že nabíjecí kontakty robotického vysavače a nabíjecí základny nejsou znečištěné. V případě potřeby nabíjecí kontakty vyčistěte.

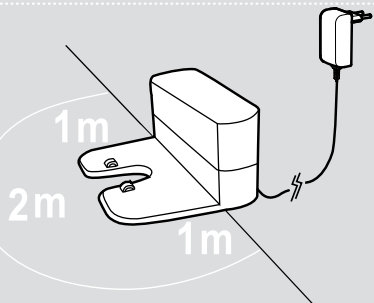
Pokud robotický vysavač nelze zapnout kvůli nízkému nabití, přesuňte robotický vysavač ručně k nabíjecí základně k nabití. Nabíjecí kontakty by měly být v rovině a krajní čisticí kartáček by neměl být zaseknutý mezi nabíjecími kontakty.

Baterie

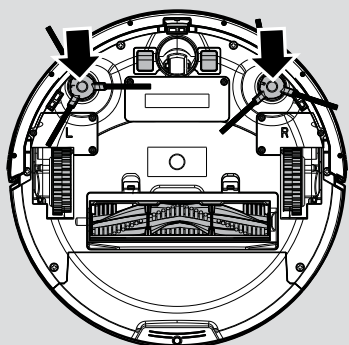
V průběhu času se kapacita baterie robotického vysavače sníží a bude nutné ji vyměnit. Náhradní baterii lze zakoupit u autorizovaného prodejce Hoover. Používejte pouze originální náhradní díly a příslušenství Hoover.



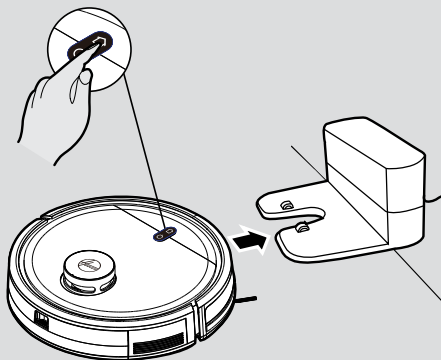
Obr. 1



Obr. 2



Obr. 3



Obr. 4

POUŽITÍ ROBOTICKÉHO VYSAVAČE

• Tlačítko Home (Domů) (dobíjecí základna)

Krátké stisknutí: Dobíjení

Dlouhé stisknutí: Připojení aplikace

Světelná kontrolka:

Bílé blikající světlo: nabíjení

Bílé rychle blikající světlo: Připojení aplikace

• Tlačítko zapnout/vypnout

Dlouhé stisknutí: zapnout (pokud je robotický vysavač vypnutý)

Dlouhé stisknutí: vypnout (pokud je robotický vysavač zapnutý)

Krátké stisknutí: start/pozastavit (pokud je robotický vysavač ve spánkovém režimu)

Světelná kontrolka:

Modré blikající světlo: pohotovostní režim

Modré světlo svítí: pracovní režim

Modré světlo nesvítí: režim spánku

1. Provozní postup robotického vysavače: režim spánku > pohotovostní režim > pracovní režim

A. Režim Sleep (spánku): Když je robotický vysavač v pohotovostním režimu a nepracuje 3 minuty, automaticky se přepne do režimu spánku. Když je robotický vysavač v režimu spánku, kontrolka tlačítka nesvítí a robotický vysavač je nehybný.

B. Pohotovostní režim: Když je robotický vysavač v pohotovostním režimu, kontrolka tlačítka modře bliká a robotický vysavač je nehybný.

C. Pracovní režim: Když robotický vysavač pracuje, kontrolka tlačítka svítí modře a robotický vysavač uklízí.

2. Pause (Pauza)

Pauza znamená, že robotický vysavač se přepne z pracovního do pohotovostního režimu. Lze jej aktivovat stiskem tlačítka „on/off“ (zapnout/vypnout) na robotickém vysavači, nebo pomocí mobilní aplikace.

Pozor! [Obr. 5]

Pokud je robotický vysavač v režimu spánku, stiskněte dvakrát tlačítko ON/OFF (ZAP/VYP) na robotickém vysavači, aby zahájil čištění.

Pokud robotický vysavač delší dobu nepoužíváte, dlouhým stiskem tlačítka ON/OFF (ZAP/VYP) robotický vysavač vypnete. Když robotický vysavač zaznamená náraz, stiskem tlačítka Reset na 2 až 3 sekundy pomocí jehly o méně než 2 mm, čímž provedete nucené vypnutí.

APLIKACE KE STAŽENÍ A PŘIHOJENÍ PŘES WIFI [Obr. 6]

Chcete-li získat přístup ke všem funkcím robotického vysavače odkudkoli, doporučujeme stáhnout si aplikaci HG5. Budete moci svůj robotický vysavač ovládat co neefektivněji.

1. Stáhněte si aplikaci „HG5“ z Apple App Store, Google Play nebo APP Gallery.
2. Otevřete aplikaci a vytvořte si účet pomocí e-mailu a hesla. Potvrďte přihlášení.
3. Zkontrolujte, zda je vaše mobilní zařízení připojeno k síti Wi-Fi.
4. Klikněte na „přidat zařízení“ v aplikaci, pro dokončení párování postupujte podle pokynů.

UPOZORNĚNÍ:

Název WiFi nesmí přesáhnout 32 znaků.

Pokud spojení selhalo, při kontrole postupujte podle následujících kroků:

- Ujistěte se, že jste vložili správné heslo routeru WIFI
- Ujistěte se, že je síť WiFi nastavená na 2,4 GHz
- Ujistěte se, že robot není daleko od routeru.

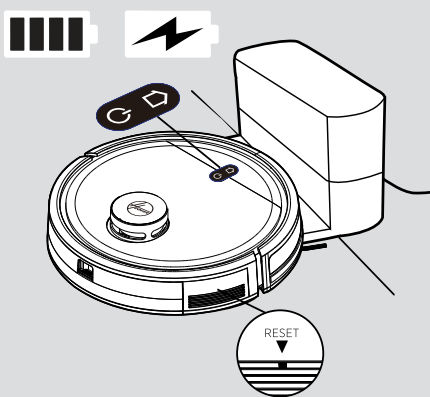
S APLIKACÍ HG5

Po úspěšném spárování vašeho robota můžete vytvořit mapu svého domova. To vám umožní přístup k plně upravitelným nastavením a plánům čištění vašeho robota.

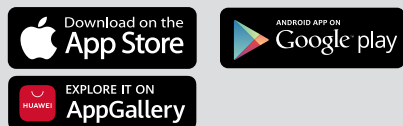
Klikněte na ikonu robota pro přístup na stránku mapy. Před zapnutím robota nezapomeňte odstranit veškeré překážky na podlaze (kabely, ponožky, boty).

Stiskněte tlačítko POWER/ON (ZAPNUTÍ) a nechte robota zahájit mapování vašeho bytu. Na své domovské stránce uvidíte tvorbu mapy. Poté, co robot naskenuje celý váš byt, uvidíte na svém telefonu kompletní mapu. Každému pokoji můžete dát vlastní název, upravit ho a nastavit příslušný plán čištění (úroveň sacího výkonu, úroveň mopování, frekvenci čištění atd.).

- Doba čištění: uvádí dobu posledního čištění
- Čištěná oblast: uvádí plochu v metrech čtverečních, kterou robot prošel při posledním čištění
- Baterie: aktuální úroveň nabití baterie



Obr. 5



Obr. 6

- POWER/ON (ZAPNUTÍ) (⏻)

Robot zahájí čištění podle aktuálních nastavení čištění.

- BACK TO CHARGE (ZPĚT NA NABÍJENÍ) (🔌)

Robot přijede zpět na nabíjecí základnu.

* Všechny ostatní ikony se rozsvítí a budou k dispozici pouze po stisku ikony Power On (zapnutí).

- GO TO PLACE (CESTA NA MÍSTO) (📍)

Zvolte konkrétní místo na mapě, robot tam přejede a zahájí čištění podle aktuálních nastavení čištění.

- SELECT ROOM (ZVOLIT POKOJ) (🏠)

Zvolte konkrétní místnost na mapě, robot tam přejede a zahájí čištění podle nastavení čištění pokoje.

- SELECT AREA (ZVOLIT OBLAST) (📏)

Zvolte konkrétní oblast na mapě, robot tam přejede a zahájí čištění podle aktuálních nastavení čištění.

- NO-GO AREAS (OBLASTI BEZ CÍLE) (🚫)

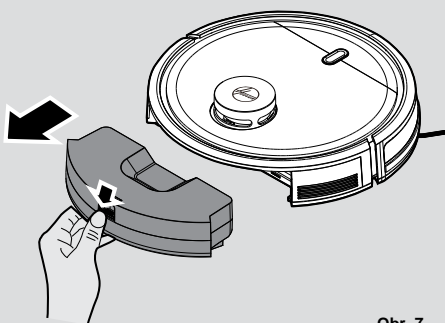
Určete konkrétní oblast, kam nebude mít robot dovoleno vjet. Můžete stanovit oblasti bez cíle pro mopování, vysávání nebo obojí.

- CUSTOMISE (UPRAVIT) (🔧)

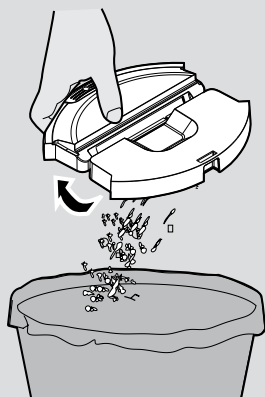
Upravte pokoje na mapě. Lze spojit nebo rozdělit různé místnosti, zcela resetovat mapu, přejmenovat místnosti, nastavit plán čištění pro každou místnost, nastavit sekvence čištění místností.

- NASTAVENÍ (...)

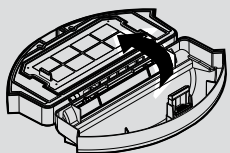
Úplný seznam nastavení robota



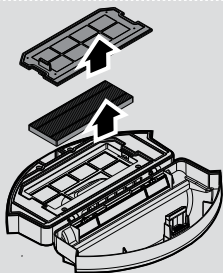
Obr. 7



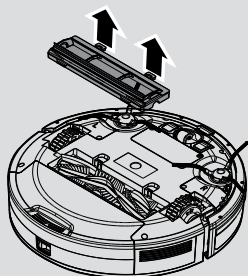
Obr. 8



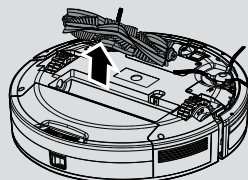
Obr. 9



Obr. 10



Obr. 11



Obr. 12

ÚDRŽBA ROBOTICKÉHO VYSAVAČE

VYPRÁZDNĚNÍ NÁDOBY NA PRACH

Před prováděním jakékoli údržby se ujistěte, že je robotický vysavač vypnutý.

1. Vypněte robota a vyjměte jej z nabíjecí základny.
2. K čištění všech povrchů použijte suchý hadřík. ZABRAŇTE při čištění vniknutí vody do kterékoli části výrobku.

Po vysávání vyjměte nádobu na prach.

1. Stiskněte uvolňovací tlačítko a vytáhněte ji. [Obr. 7]
2. Vyprázdňte nádobu na prach nad odpadkovým košem. [Obr. 8]
3. V případě potřeby použijte čisticí kartáček k odstranění zbylého prachu z vnitřního povrchu nádoby na prach nebo z povrchu filtru
4. Vložte nádobu na prach zpět do robota

ČIŠTĚNÍ FILTRŮ

Robotický vysavač je vybaven předmotorovým filtrem. Pro udržení optimálního čistícího výkonu pravidelně čistěte kryt filtru a předmotorový filtr. Měly by být čišťeny po každých 5 vyprázdnění nádoby na prach a neměly by být myty.

1. Po vysávání vyjměte nádobu na prach, stiskněte uvolňovací tlačítko a vytáhněte. [Obr. 7]
2. Vyprázdňte zásobník na nečistoty. [Obr. 8] Otevřete nádobu na prach, vyjměte sítku filtru spolu s filtrem, pak vyjměte filtr EPA ze sítky filtru a odděleně je vyčistěte. Montáž se provádí v obráceném pořadí, zkontrolujte správné smontování filtru. [Obr. 9,10]

DŮLEŽITÉ: Filtry pravidelně kontrolujte a udržujte podle pokynů pro údržbu filtru. Tím se zajistí maximální výkonnost čištění.

Pokud síťka filtru i filtr jsou poškozené, měly by se okamžitě vyjmout a vyměnit, aby nedošlo k poškození motoru vysavače.

ČIŠTĚNÍ ROTAČNÍHO KARTÁČE

Chcete-li zachovat optimální výkon vysavače, pravidelně čistěte rotační kartáč.

1. Vypněte robotický vysavač a otočte ho.
2. Stiskněte spony na podložce a sejměte kryt rotačního kartáče. [Obr. 11]
3. Zvedněte rotační kartáč tak, že uchopíte jeden konec rotačního kartáče. [Obr. 12]
4. Pomocí čisticích kartáčků vyjměte namotané předměty z rotačního kartáče i nečistotu ze štětín. Neztraťte gumovou objímku na kulovém ložisku.
5. Po vyčištění vložte rotační kartáč i kryt rotačního kartáče zpět do robotického vysavače.

Pozor: Veškeré činnosti údržby by se měly provádět po vyjmutí nádoby na prach, jinak hrozí náhodné vysypání nečistot v nádobě na prach.

ČIŠTĚNÍ KARTÁČE NA ČIŠTĚNÍ ROHŮ

Když se okrajové kartáče znečistí, vyčistěte je čistou vodou a vysušte je před použitím; pokud je okrajový kartáč poškozený a nefunguje normálně, vyměňte jej.

Pozor!

Když vyměňujete okrajové čisticí kartáčky, přiložte značky „L“ a „R“ na kartáči k „L“ a „R“ na spodní straně robotického vysavače.

ČIŠTĚNÍ HNACÍCH KOLEČEK [Obr. 13]

1. Vypněte vysavač a otočte ho.
2. Odstraňte veškeré nečistoty, nebo vlasy, uchycené na kolečkách.
3. Otřete kolečka suchým hadříkem.

ČIŠTĚNÍ SNÍMAČŮ PROTI PÁDU [Obr. 14]

Pro zajištění bezpečného provozu robotického vysavače je důležité udržovat senzory proti pádu čisté. Na spodní straně robotického vysavače jsou umístěny 3 snímače. Otočte robotický vysavač vzhůru nohama a vyčistěte je měkkým hadříkem, abyste odstranili veškerý nahromaděný prach, nečistoty nebo úlomky.

VÝMĚNA BATERIE [Obr. 15]

1. Pomocí šroubováku vyjměte šrouby z krytu baterie ve spodní části robotického vysavače;
2. Odstraňte kryt baterií.
3. Odpojte konektor a vyjměte baterii z prostoru pro baterie;
4. Vložte novou baterii do prostoru a znovu zapojte konektor. Dbejte na správnou polaritu konektoru a kabelů. Nasaďte zpět kryt baterie a zavřete jej pomocí dvou šroubů.
5. Zapněte přístroj a ověřte normální chod.

Pozor!

Vyměněné baterie likvidujte způsobem šetrným k životnímu prostředí, aby nedošlo ke znečištění.

DŮLEŽITÁ INFORMACE

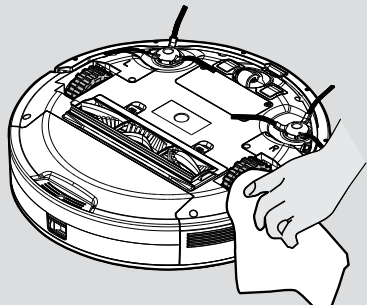
Použijte pro váš robotický vysavač pouze schválené náhradní díly.

Používání dílů neschválených firmou Hoover je nebezpečné a přicházíte tím o záruku.

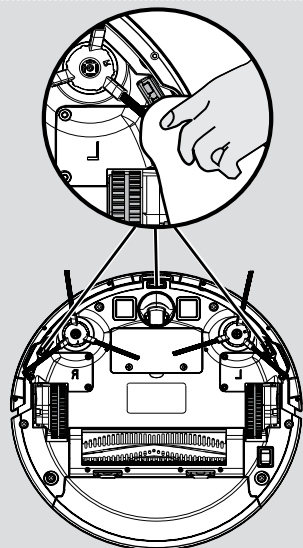
Pokud robotický vysavač po několik měsíců nebudete používat, vyjměte baterie a uložte je na chladném a suchém místě.

DŮLEŽITÉ: Před údržbou se vždy ujistěte, že je zařízení vypnuté. Na zvedání a přenos vždy používejte obě ruce a držte robotický vysavač v rovině. [Obr. 16]

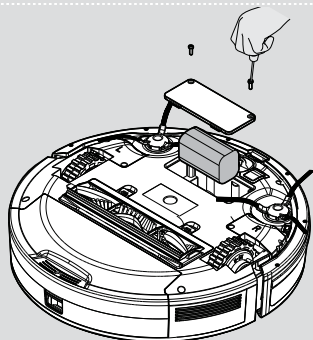
Když robotický vysavač zvedáte, nechtejte za nádobu na prach, jinak hrozí její náhodné rozevření. [Obr. 17] Neměli byste používat robotický vysavač na přímém slunci nebo na tmavě lakovaných površích, protože tyto podmínky mají nežádoucí dopad na chování robotického vysavače.



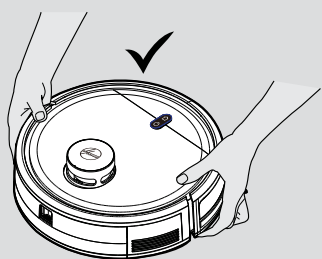
Obr. 13



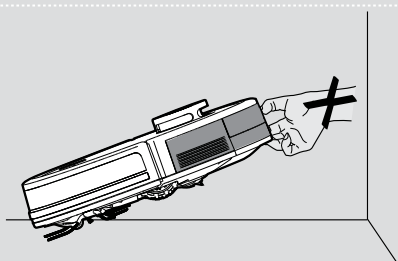
Obr. 14



Obr. 15



Obr. 16



Obr. 17

ŘEŠENÍ POTÍŽÍ

Budete-li mít s vaším robotickým vysavačem nějaký problém, postupujte podle tohoto jednoduchého kontrolního seznamu, než zavoláte do Zákaznického servisního střediska Hoover.

• Robotický vysavač po zapnutí nefunguje

Kontrolka ON/OFF (zap/vyp) a tlačítka Home (Domů)	Kroky
Bílá a modrá bliká	Zkontrolujte, zda jsou okrajové čisticí kartáčky čisté a správně nasazené
	Zkontrolujte, zda je rotační kartáč čistý a správně nasazený
Bílá svítí	Zkontrolujte, zda je zásobník na prach řádně zasunutý
Bílá a světle modrá blikají	Zkontrolujte, zda jsou hnací kolečka čistá a funkční
Modrá a světle modrá blikají	Zkontrolujte senzory proti pádu a přední nárazník - musejí být čisté a funkční
Bílá bliká	Zkontrolujte funkčnost laserového skeneru

• Robotický vysavač se automaticky nedobíjí

Zkontrolujte, zda mezi robotickým vysavačem a nabíjecí základnou nejsou žádné překážky, ani žádné předměty v okolí nabíjecí základny 2 metry před ní a 1 metr do každé strany.

• Robotický vysavač je zachycen

Robotický vysavač se pokusí sám osvobodit, ale v některých případech je nutné mu pomoci ručně.

• Robotický vysavač je při čištění velmi hlučný

Vyčistěte nádobu na prach i filtr, vyčistěte a zkontrolujte rotační kartáč a hnací kolečka.

• Čisticí výkon je slabý

Vyčistěte nádobu na prach i filtr, vyčistěte a zkontrolujte rotační kartáč a hnací kolečka.

DŮLEŽITÉ INFORMACE

Náhradní díly a spotřební materiály Hoover

Vždy používejte originální náhradní díly společnosti Hoover. Získáte je u místního prodejce výrobků Hoover nebo u servisních partnerů. Při objednávce dílů laskavě vždy uvádějte číslo modelu.

Kvalita

Kvalita výroby ve výrobních továrnách společnosti Hoover byla posouzena nezávislou organizací. Naše výrobky jsou vyráběny podle systému jakosti, který splňuje požadavky ISO 9001.

Vaše záruka

Záruční podmínky pro tento vysavač stanovuje váš zástupce v zemi, v níž je prodáván. Přesné znění podmínek vám poskytne prodejce, u něhož jste si zařízení zakoupili. Při reklamaci podle těchto záručních podmínek je nutno předložit doklad o koupi nebo účtenku.

Právo změny bez předchozího upozornění vyhrazeno.

NAVODILA ZA VARNO UPORABO

Sesalnik lahko uporabljate le za čiščenje stanovanjskih prostorov, kot je opisano v tem priročniku. Prosimo, da se pred uporabo sesalnika temeljito seznanite s temi navodili.

Pred čiščenjem naprave ali kakršnimi koli vzdrževalnimi deli vedno izklopite sesalnik in odstranite polnilnik iz vtičnice.

To napravo lahko uporabljajo otroci, starejši od 8 let ter osebe z zmanjšanimi telesnimi, zaznavnimi in mentalnimi sposobnostmi ali osebe s pomanjkljivimi izkušnjami in znanjem, če so pod nadzorom ali so bile ustrezno podučene o varni uporabi naprave ter se zavedajo nevarnosti, ki so povezane z njegovo uporabo. Otroci se ne smejo igrati z aparatom. Otroci ne smejo čistiti ali vzdrževati aparata brez nadzora.

Če je napajalni električni kabel poškodovan, nemudoma prenehajte z uporabo sesalnika. Da bi se izognili nevarnosti, mora napajalni električni kabel zamenjati pooblaščen Hooverjev serviser.

Če površina, ki jo nameravate čistiti, vsebuje balkon ali stopnice, morate postaviti pregrado, da bi preprečili dostop do balkona in tako omogočili varno delovanje. Medtem ko robotski sesalnik čisti, morajo majhni otroci in živali biti pod nadzorom.

Napravo vedno hranite znotraj. **Ne** uporabljajte je na prostem ali je izpostavljajte vremenskim vplivom, vlagi ali toplotnim virom (pečica, kamin, mokra tla).

Robotskega sesalnika ali dodatnih priključkov **ne** izpostavljajte prekomerni toploti / mrazu (hranite pri temperaturah od 0-30 °C).

Pazite, da vam robotski sesalnik **ne** pade na tla. Če je sesalnik padel na tla, ste ga poškodovali, pustili na prostem ali je padel v vodo, ne uporabljajte nobenih dodatnih priključkov.

Vmesnika za napetost nikoli **ne** izklaplajte tako, da bi ga povlekli za napajalni kabel.

Ne uporabljajte ga za čiščenje stopnišča.

Polnjenje baterij

Uporabljajte le originalni polnilnik, ki je priložen napravi.

Preverite, ali je napajalna napetost enaka tisti, ki je navedena na polnilniku.

Baterij nikdar ne polnite na temperaturi nad 30° C ali pod 0° C.

Priloženi polnilnik priključite v vtičnico.

Pušcanje baterij se lahko pojavi ob skrajnih temperaturah ali pretirani uporabi. Če tekočina pride v stik s kožo, jo nemudoma sperite z vodo. Če tekočina pride v stik z očmi, jih nemudoma začnite spirati s čisto vodo in nadaljujte vsaj 10 minut. Poiščite zdravniško pomoč.

Normalno je, da se polnilnik med polnjenjem segreva.

Uporabljajte le dodatke, potrošni material ali nadomestne dele, ki jih priporoča ali dobavi Hoover.

Ne sesajte trdih ali ostrih predmetov, vžigalic, vročega pepela, cigaretnih ogorkov ali podobnih predmetov.

Ne smete pršiti ali sesati vnetljivih tekočin, čistil, razpršil ali njihovih hlapov.

Prenehajte z uporabo, če sta naprava ali polnilec poškodovana.

Hooverjev servis: Za zagotovitev nenehnega varnega in učinkovitega delovanja naprave priporočamo, da servis ali popravila izvrši le pooblaščen Hooverjev serviser.

Ne uporabljajte naprave za čiščenje živali ali ljudi.

Ne smete zamenjati originalnih baterij za ponovno polnjenje z navadnimi baterijami.

Če robotskega sesalnika ne boste uporabljali dlje časa (več tednov), izključite vtičač napajalnega vmesnika.

Odstranitev baterij

Če boste napravo odvrgli, morate najprej odstraniti baterije. Ko želite odstraniti baterije, mora biti naprava izključena iz električnega toka. Baterije odvrzite na varen način. Napravo pustite delovati dokler baterije niso popolnoma prazne. Uporabljene baterije je treba odnesti v enoto za recikliranje. Baterije se ne smejo odvreči v gospodinjske odpadke. Za odstranitev baterij vas prosimo, da se obrnete na Hooverjev center za kupce ali nadaljujete po sledečih navodilih. Izklopite polnilnik in ugasnite robotski sesalnik. Obrnite robotski sesalnik in jo namestite na ravno površino. Odstranite vijake in pokrov prostora za baterije. Odstranite baterijo.

OPOMBA: V primeru težav z razstavljanjem naprave ali za podrobnejše informacije o ravnanju z izdelkom, obnovi ali recikliranju izdelka se obrnite na krajevni urad ali komunalno podjetje za odvoz gospodinjskih odpadkov.

POMEMBNE OPOMBE PRED UPORABO

Pred uporabo robotskega sesalnika ali dodatnih priključkov pozorno preberite naslednje informacije.

Robotskega sesalnika ne razstavljajte in ga ne popravljajte sami. Če pride do napake v delovanju, vas prosimo, da se za strokovni nasvet obrnete na Hooverjev poprodajni servis.

Stopnišče: Robotski sesalnik ima senzorje, ki preprečujejo padec po stopnicah, stopnišču ali preko roba. Senzorji se lahko v nekaterih primerih zmedejo. Robotski sesalnik ne zazna stopnic, ki so nižje od 8 cm. Pri stopnicah, nižjih od 8 cm, lahko robotski sesalnik pade. Če je na voljo, v aplikaciji nastavite nedostopna območja ali virtualne stene, da preprečite padec Robota.

Površine z visokim odsevom ali zelo temne površine, ki pokrivajo nekatere stopnice ali stopnišča, kot so steklo ali polirana keramika, lahko povzročijo, da robotski sesalnik pade. Če je na voljo, v aplikaciji nastavite nedostopna območja ali nastavite preprogo na spodnjo stopnico, da preprečite padec Robota. Izogibajte se uporabi robotskega sesalnika na mezaninu, stopniščnem podestu ali dvignjenih površinah brez robov. Če je na voljo, v aplikaciji nastavite nedostopna območja ali virtualne stene, da preprečite dostop Robota do teh območij.

Uporaba baterije: Vaš robotski sesalnik deluje na visoko zmogljive litijske baterije za ponovno polnjenje. Baterije za ponovno polnjenje imajo garancijo 6 mesecev, ob vzdrževanju in delovanju v skladu z navodili z uporabo.

Ob znatnem padcu zmogljivosti robotskega sesalnika lahko pri Hooverjevem trgovcu kupite nadomestne baterije.

Za svoj robotski sesalnik uporabljajte samo nadomestne dele, ki jih priporoča Hoover. Uporaba nadomestnih delov, ki jih Hoover ne priporoča, je nevarna in razveljavi garancijo.

Za ponovno polnjenje svojega Robota uporabljajte le priloženo polnilno postajo in priloženi napajalni vmesnik. Uporaba neustrezne polnilne postaje ali neustreznega napajalnega vmesnika je nevarna in razveljavi garancijo.

Frekvenčni pasovi	2412 MHz to 2472 MHz
Maksimalna RF moč, prenesena na frekvenčni pas	802.11 b: +15.95 dBm 802.11 g: +14.91 dBm 802.11 n20: +13.78 dBm

Okolje

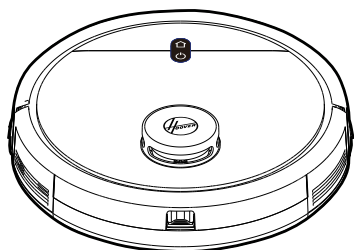
Simbol na izdelku pomeni, da izdelka ne smete odstraniti kot gospodinjski odpadki. Oddati ga morate na zbirnem mestu za recikliranje električne in elektronske opreme. Odstranitev morate izvesti v skladu z okoljskimi predpisi glede odstranjevanja odpadkov. Za podrobnejše informacije o ravnanju z izdelkom, obnovi in recikliranju izdelka se obrnite na krajevni urad, komunalno podjetje za odvoz gospodinjskih odpadkov ali trgovino, kjer ste izdelek kupili.



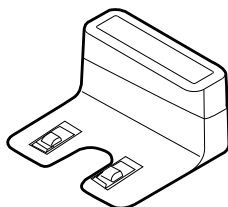
CE Ta naprava je v skladu z evropskimi direktivami 2014/53/EU in 2011/65/EU. Če želite prejeti kopijo izjave o skladnosti, stopite v stik s proizvajalcem. Njegov kontakt najdete na spletni strani www.candy-group.com.

CANDY HOOVER GROUP Srl Via Privata Eden Fumagalli, 20861 Brugherio (MB) Italy

VSEBINA ŠKATLE



Robotski Čistilnik



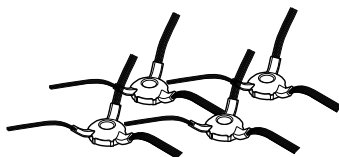
Podstavek
za polnjenje



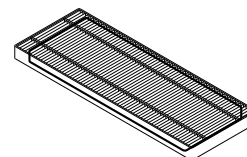
Priročnik
za uporabnika



Napajalni vmesnik



4x Krtačka za
čiščenje robov

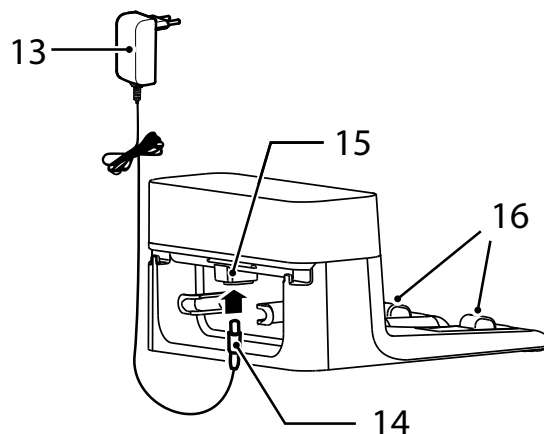
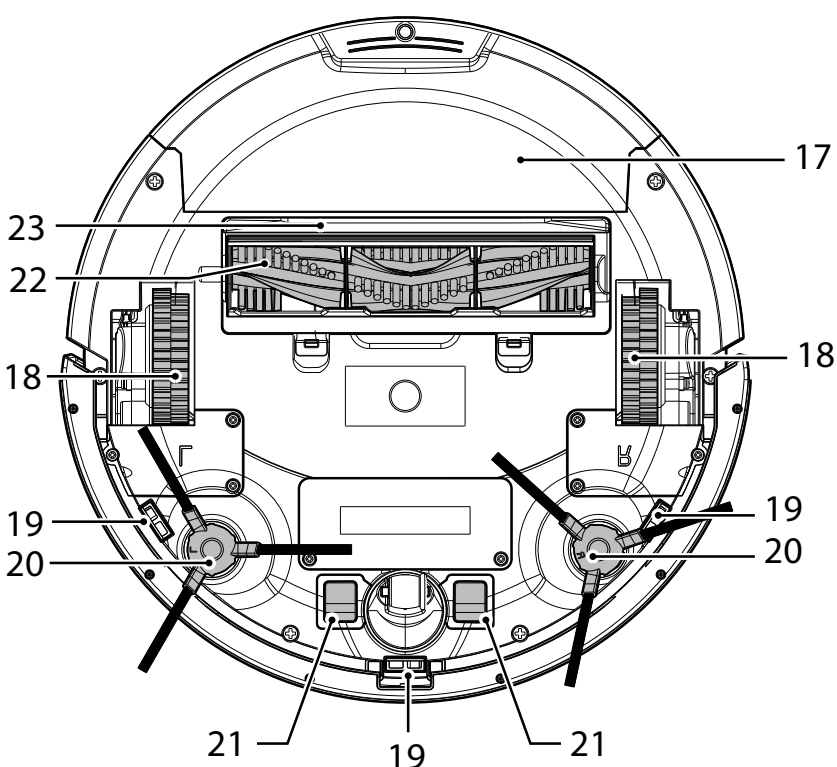
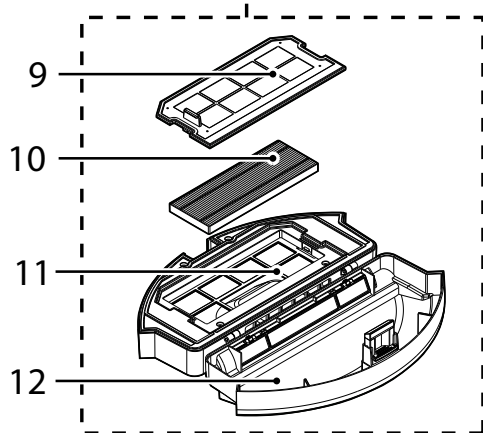
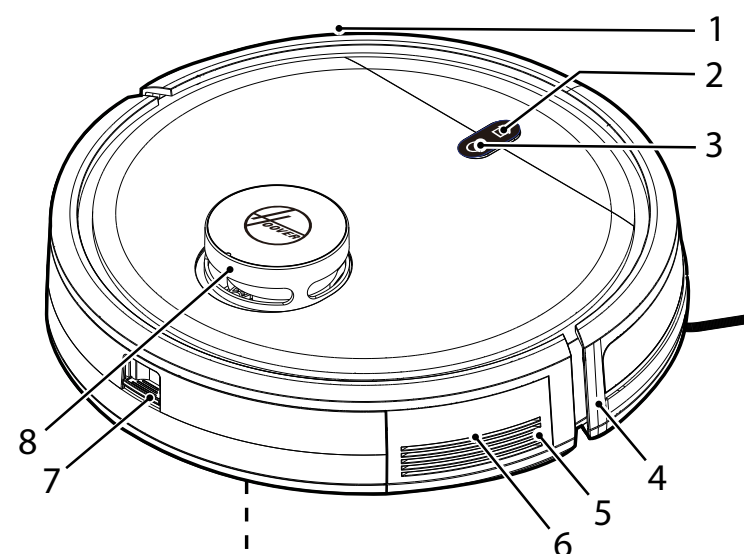


Dodatni filter
za Robota



Krtača za čiščenje

SPOZNAJTE SVOJ ROBOTSKI SESALNIK



1	Sprednji odbijač
2	HOME (Gumb) na polnilni postaji
3	Gumb za vklop/izklop
4	Sprednji sprejemnik signala
5	Zvočnik
6	Gumb za ponastavitev (rdeči gumb)
7	Gumb za odpenjanje posode za prah
8	LIDAR stolp
9	Mrežni filter
10	EPA filter
11	Zgornji pokrov posode za prah
12	Spodnji pokrov posode za prah

13	Napajalni vmesnik
14	Priključek za električno napajanje
15	DC priključek, Podstavek za polnjenje
16	Spoji polnilnika

17	Posoda za prah
18	Pogonsko kolo
19	Senzor za preprečevanje padcev
20	Krtačka za čiščenje robov
21	Stiki za polnjenje Robotu
22	Vrtljiva krtača
23	Zgornji pokrov krtače

PRIPRAVITE SVOJ ROBOTSKI SESALNIK

EMBALAŽA

Embalaze robotskega sesalnika ne odvrzite. V prihodnosti bo mogoče zahtevana za potrditev garancije. Med razpakiranjem robotskega sesalnika in dodatnih priključkov bodite pozorni, da plastične vrečke ne pridejo v bližino dojenčkov, otrok in živali, da preprečite nevarnost zadušitve.

Pred prvo uporabo ga polnite 4-6 ur. **[Slika 1]**

Napajalnega vmesnika robotskega sesalnika ne izpostavljajte temperaturam pod 0°C ali nad 30°C, saj bi tako lahko poškodovali baterijo.

Napajalni vmesnik lahko priključite samo v standardno vtičnico.

BATERIJA

Za optimalno delovanje baterij priporočamo, da ostanejo baterije robotskega sesalnika popolnoma napolnjene.

Kadar robotskega sesalnika ne uporabljate, ga pustite priključenega na polnilno postajo. Robot ima inteligenten sistem polnjenja, to preprečuje prekomerno napolnitev baterij.

Da se izognete nesrečam, se prepričajte, da se vse osebe v prostoru zavedajo prisotnosti robotskega sesalnika.

PRIPRAVA VAŠEGA DOMA

Pred uporabo umaknite ovire, ki bi lahko bile v napoto Robotu. Bodite pozorni na:

- predmete, ki se lahko z lahkoto prevrnejo,
- robove preprog, v katere se lahko zapne,
- do tal segajoče zavese in prti,
- vire toplote ali vnetljive predmete,
- napajalne kable,
- lomljive predmete.

NAMESTITEV POLNILNE POSTAJE

1. Priključite glavni napajalni vmesnik in ga priključite na postajo polnilnika. **[Slika 2]**
2. Prepričajte se, da pod njo ne leži priključni kabel.
3. Postajo polnilnika postavite na ravna neodsevna tla, po možnosti ob steno. Če so tla preveč odsevna, bo to vplivalo na navigacijski sistem Robota, kar mu lahko povzroči težave pri lociranju postaje polnilnika.
4. 2 metra pred podstavkom za polnjenje ter 1 meter na vsako stran naj se ne nahaja noben predmet. **[Slika 2]**

5. Preverite, da priključni kabel ni zavozlan ali nategnjen. Če je kabel predolg, s pomočjo vrvice za napajalni kabel shranite odvečno dolžino.

6. Preverite, da je v Robotu posoda za prah pravilno nameščena

7. Krtači za čiščenje robov pritiskajte na zagozde, dokler ne klikneta na mesto. Bodite pozorni na oznaki L in R na napravi in na krtačah. **[Slika 3]**

8. Z robotskega čistilnika odstranite gobice. Privedite svojega Robota do postaje polnilnika, da se začne polniti. Ob normalni uporabi bo trajalo približno 4/5 ure, da se popolnoma napolni.

POLNJENJE BATERIJE **[Slika 4]**

Držite gumb ON/OFF od 3 do 5 sekund, da vklopite Robota, položite ga pred postajo polnilnika. Pritisnite gumb Home (polnilna postaja) na robotu, prepričajte se, da se premika na polnilno postajo. Za optimalno delovanje baterije priporočamo, da ostane baterija robotskega sesalnika popolnoma napolnjena.

Ko se baterija polne, gumba ON/OFF in Home (polnilna postaja) belo utripata.

Če je baterija popolnoma polna, gumba ne utripata.

Samodejno polnjenje

Če je zmogljivost baterije robota med sejo čiščenja nizka, bo robotski čistilnik prenehal s čiščenjem in začel iskati podstavek polnilne postaje.

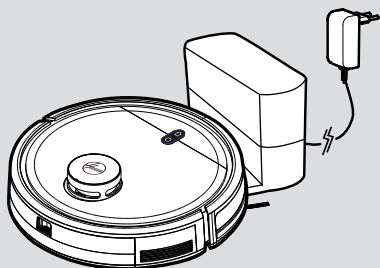
Ko robotski čistilnik konča sejo čiščenja, bo samodejno preklopil v način ponovnega polnjenja in začel iskati podstavek polnilne postaje.

OPOMBA: Prepričajte se, da spoji za polnjenje robota in postaja polnilnika niso umazani. Če je potrebno, očistite spoje za polnjenje.

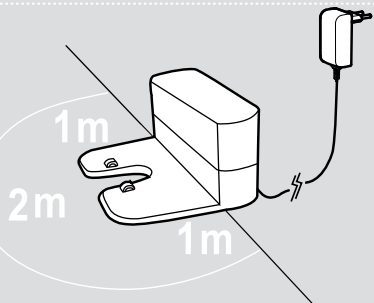
Če robota ni mogoče vklopiti zaradi nizke napoljenosti baterije, ga ročno premaknite na podstavek polnilnika za polnjenje. Spoji za polnjenje morajo biti poravnani in ščetka za čiščenje robov ne sme biti zataknjena med polnilne spoje.

Baterija

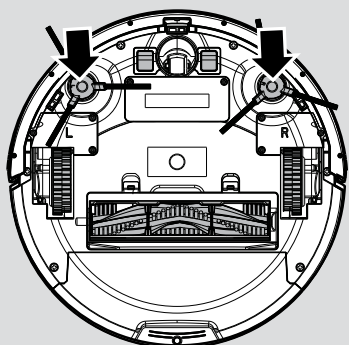
Sčasoma se bo zmogljivost baterije vašega robota zmanjšala in bo morala biti zamenjana. Nadomestno baterijo lahko kupite pri Hooverjevem pooblaščenem prodajalcu. Uporabljajte samo prave rezervne dele in pripomočke znamke Hoover.



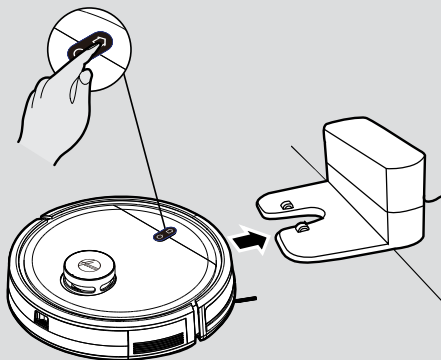
Slika 1



Slika 2



Slika 3



Slika 4

UPORABA VAŠEGA ROBOTSKEGA SESALNIKA

• Home (Gumb) na polnilni postaji

Kratek pritisk: Ponovno polnjenje

Dolgo držanje: Povezava z aplikacijo

Osvetljena oznaka:

Utripajoča bela luč: polnjenje

Hitro utripajoča bela luč: Povezava z aplikacijo

• Gumb za vklop/izklop

Dolgo držanje: vklop (če je robot izklopljen)

Dolgo držanje: izklop (če je robot vklopljen)

Kratek pritisk: začetek/pavza (če je robot v stanju mirovanja)

Osvetljena oznaka:

Utripajoča modra luč: način stanje pripravljenosti

Modra luč sveti: način delovanja

Modra luč ne sveti: način stanje mirovanja

1. Postopek delovanja robota: način mirovanja > način stanja pripravljenosti > način delovanja

A. Način mirovanja: Ko je robot v načinu mirovanja in 3 minute ni delal, bo šel samodejno v način mirovanja. Ko je robot v načinu mirovanja, so luči na gumbu ugasnjene in se robot ne premika.

B. Način stanja pripravljenosti: Ko je robot v načinu stanja pripravljenosti, luč na gumbu modro utripa in robot se ne premika.

C. Način delovanja: Ko robot deluje, luč na gumbu sveti modro in robot ima sejo čiščenja.

2. Pavza

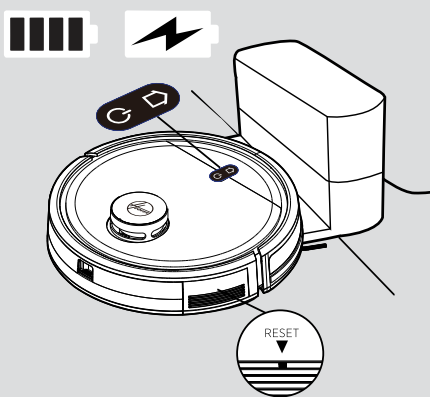
Pavza pomeni, da je robot preklopljen iz načina delovanja v način stanja pripravljenosti. To lahko vklopite s pritiskom na gumb "on/off" na robotu ali v aplikaciji za mobilni telefon.

Pozor! [Slika 5]

Če je robot v stanju mirovanja, dvakrat pritisnite na gumb "on/off" zato, da ga pripravite do začetka čiščenja.

Če robota dlje časa ne boste uporabljali, držite gumb "ON/OFF" zato, da robota izklopite.

Ko robot doživi trk, prosimo, da z manj kot 2 mm dolgo iglo 2-3 sekunde držite gumb Reset (ponastavitev) na rogu, da ga na silo izklopite.



Slika 5

PRENAŠANJE APLIKACIJE IN POVEZAVA PREKO WIFI-JA [Slika 6]

Za dostop do vseh funkcij robota od koderkoli priporočamo, da si prenesete aplikacijo HG5. Z robotom boste lahko upravljali na najučinkovitejši način.

1. Prenesite aplikacijo HG5 iz trgovine App, Google Play ali APP Gallery.

2. Odprite aplikacijo, ustvarite račun s svojim računom elektronske pošte in geslom. Potrdite prijavo.

3. Prepričajte se, da ima vaša mobilna naprava povezavo z WiFi-jem.

4. Kliknite na "dodajte napravo" ("add device") v aplikaciji in sledite navodilom, da dokončate združevanje.

OPOZORILO

Ime povezave WiFi ne sme biti daljše od 32 znakov.

Če združevanje ni uspelo, sledite naslednjim korakom za preverjanje:

- Prepričajte se, da ste vnesli pravilno geslo usmerjevalnika za WIFI
- Prepričajte se, da ste nastavili omrežje WiFi na 2,4 GHz
- Prepričajte se, da robot ni daleč stran od usmerjevalnika.

S HG5 APP

Po uspešnem združevanju robota lahko ustvarite zemljevid svojega doma. To vam bo omogočalo dostop do popolnoma prilagodljivih nastavitvev in urnikov čiščenja vašega robota.

Kliknite na ikono Robota za dostop do strani z zemljevidom. Spomnite se odstraniti kakršnokoli oviro s tal (kable, nogavice, čevlje) preden vklopite robota.

Kliknite na gumb POWER ON zato, da robotu dovolite začetek ustvarjanja zemljevida vašega stanovanja. Na svoji domači strani boste videli ustvarjanje vašega zemljevida. Ko bo robot pregledal vaše celotno stanovanje, boste na svojem telefonu videli celoten zemljevid. Vsako sobo lahko poimenujete, jo prilagodite in nastavite poseben urnik čiščenja (stopnja sesalne moči, stopnja brisanja, pogostost čiščenja itd.).

- Čas čiščenja: označuje trajanje zadnje seje čiščenja

- Očiščeno območje: označuje kvadratne metre, ki jih je robot obdelal med zadnjo sejo čiščenja

- Baterija: trenutna raven napolnjenosti baterije



Slika 6

- POWER ON (vklop) (⏻)

Robot začne čistiti po trenutnih nastavitvah čiščenja.

- NAZAJ K POLNJENJU (BACK TO CHARGE) (🔋)

Robot se bo vrnil nazaj k polnilni postaji.

* Vse ostale ikone se bodo prižgale in bodo na voljo samo po kliku na ikono za vklop.

- POJDI NA MESTO (GO TO PLACE) (📍)

Izberite posebno mesto na zemljevidu. Robot bo šel tja in začel s sejo čiščenja po trenutnih nastavitvah čiščenja.

- IZBERI SOBO (SELECT ROOM) (🏠)

Izberite posebno sobo na zemljevidu. Robot bo šel tja in začel s sejo čiščenja po trenutnih nastavitvah čiščenja sobe.

- IZBERI OBMOČJE (SELECT AREA) (📏)

Izberite posebno območje na zemljevidu. Robot bo šel tja in začel s sejo čiščenja po trenutnih nastavitvah čiščenja.

- NEDOSTOPNA OBMOČJA (NO-GO AREAS) (🚫)

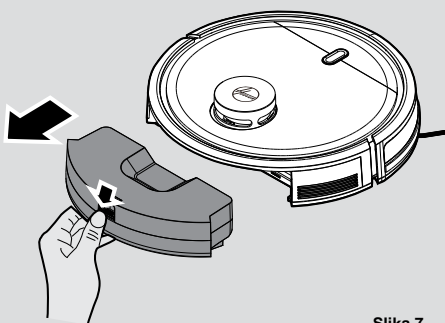
Določite posebno območje, na katerega robot ne sme iti. Določite lahko posebna nedostopna območja za mokro brisanje, sesanje ali oboje.

- PRILAGODI (CUSTOMISE) (🔧)

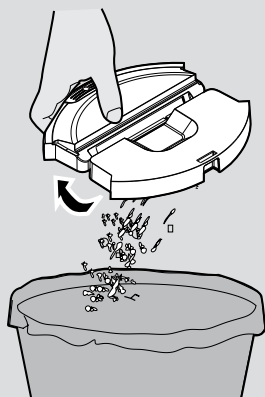
Prilagodi sobe na zemljevidu. Možno je združevanje ali ločevanje različnih sob, popolna ponovna nastavitve zemljevida, preimenovanje sob, nastavljanje urnik čiščenja za vsako sobo, nastavljanje zaporedje čiščenja sob.

- NASTAVITVE (SETTINGS) (⋮)

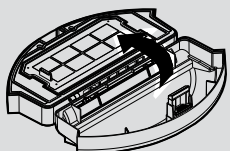
Popoln seznam nastavitve robota



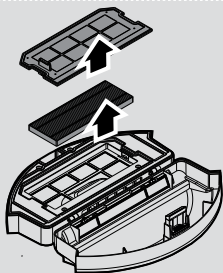
Slika 7



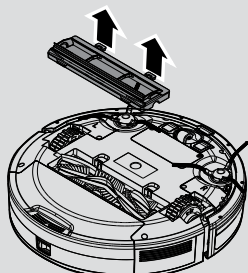
Slika 8



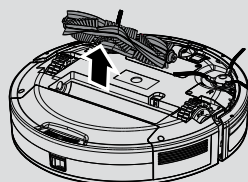
Slika 9



Slika 10



Slika 11



Slika 12

VZDRŽEVANJE ROBOTSKEGA SESALNIKA

PRAZNJENJE POSODE ZA PRAH

Pred vzdrževanjem se prepričajte, da je robotski sesalnik izklopljen.

1. Izklopite robot in ga odstranite s polnilne postaje.
2. Za čiščenje vseh površin uporabite suho krpo. Poskrbite, da voda med čiščenjem NE vstopi v napravo.

Po sesanju odstranite posodo za prah.

1. Pritisnite na gumb za sprostitev in jo potegnite dol. [Slika 7]
2. Posodo za prah izpraznite v koš za smeti. [Slika 8]
3. Po potrebi uporabite krtačko za čiščenje, da odstranite odvečni prah iz notranjosti posode za prah ali površine filtra
4. Posodo za prah ponovno namestite v robot

ČIŠČENJE FILTROV

Robotski sesalnik vsebuje filter pred motorjem. Za ohranjanje optimalnega delovanja čiščenja redno čistite pokrov filtra in predmotorni filter. Očistiti ju morate po vsakih 5 praznjenjih posode za prah in ne smete ju prati.

1. Po sesanju odstranite posodo za prah, pritisnite na gumb za sprostitev in jo povlecite ven. [Slika 7]
2. izpraznite posodo za prah, [Slika 8] Odprite posodo za prah, odstranite mrežni filter skupaj s filtrom, nato odstranite EPA filter iz mrežnega filtra in ju očistite ločeno. Ponovno sestavljanje poteka v obratnem vrstnem redu, prepričajte se, da je filter pravilno sestavljen. [Slika 9,10]

POMEMBNO: Filtre redno preverjajte in vzdržujte tako, da sledite navodilom za vzdrževanje filtrov. To bo ohranilo največjo zmogljivost čiščenja.

Če sta mrežni filter in filter poškodovana, ju morate takoj odstraniti in pravočasno zamenjati, da se izognete škodi na motorju sesalnika.

ČIŠČENJE KRTAČE ZA TLA

Za ohranjanje optimalnega delovanja sesalnika krtačo redno čistite.

1. Izklopite robotski sesalnik in ga obrnite.
2. Pritisnite sponke na podnožju in odstranite pokrov krtače. [Slika 11]
3. Dvignite krtačo tako, da primete en konec krtače. [Slika 12]
4. S čistilno krtačo odstranite morebitno zapleteno umazanijo in delce umazanije s krtače in umazanijo na ščetkah. Ne izgubite gumijastega rokava na krogličnem ležaju.
5. Po čiščenju vstavite krtačo in pokrov krtače nazaj v robota.

Pozor: Vsa vzdrževalna dela je treba opraviti po odstranitvi posode za prah zato, da preprečite, da bi se umazanija iz posode za prah po nesreči izpraznila.

ČIŠČENJE KRTAČK ZA ČIŠČENJE ROBOV

Ko se krtače za robove umažejo, jih pred uporabo očistite s čisto vodo in posušite; če je krtača za robove poškodovana in ne more normalno delovati, jo zamenjajte.

Pozor!

Ko zamenjate krtače za čiščenje robov, poravnajte oznaki »L« in »R« na krtači z oznakama »L« in »R« na dnu robota.

ČIŠČENJE POGONSKIH KOLES [Slika 13]

1. Izklopite robotski sesalnik in ga obrnite.
2. S koles odstranite ujeto umazanijo in lase.
3. Očistite kolesa s suho krpo.

ČIŠČENJE LEČE SENZORJA ZA PREPREČEVANJE PADCA [Slika 14]

Za ohranitev varnega delovanja vašega robota je nujno, da vzdržujete čistočo senzorjev za preprečevanje padcev.

Na spodnji strani robota se nahajajo 3 senzorji. Robot obrnite na glavo in jih očistite s suho krpo zato, da odstranite kakršenkoli skupek prahu, umazanije in ostalih delcev.

ZAMENJAVA BATERIJE [Slika 15]

1. Uporabite izvijač za odstranitev vijakov s pokrova baterije na dnu robota;
2. Odstranite pokrov baterij.
3. Odklopite spoj in odstranite baterijo z mesta;
4. Postavite novo baterijo v prostor in jo ponovno povežite s spojem. Pazite na pravilno poravnavo spoja in žic. Ponovno namestite pokrov baterije in jo privijte z vijaki.
5. Vključite jo zato, da preverite, ali normalno deluje.

Pozor!

Prosimo, reciklirajte zamenjane baterije na okolju prijazen način zato, da se izognete onesnaževanju.

POMEMBNO

Za svoj robotski sesalnik uporabljajte samo priporočene nadomestne dele.

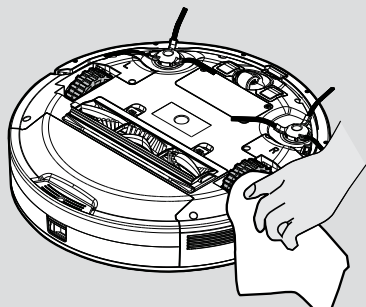
Uporaba delov, ki jih Hoover ne priporoča, je nevarna in bo razveljavila garancijo.

Če robota ne boste uporabljali nekaj mesecev, prosimo, da odstranite baterije in jih shranite na suhem in hladnem mestu.

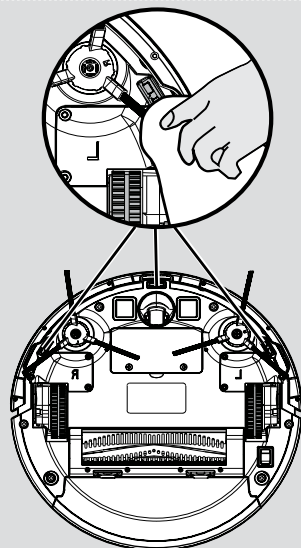
POMEMBNO: Pred vzdrževanjem se vedno prepričajte, da je vaša naprava izklopljena. Za dviganje in nošenje vedno uporabite obe roki in prepričajte se, da je robot v vodoravnem položaju. [Slika 16]

Ko dvigate robotskega čistilnika se prepričajte, da ne primete za posodo za prah zato, da se izognete nenamernemu odpiranju. [Slika 17]

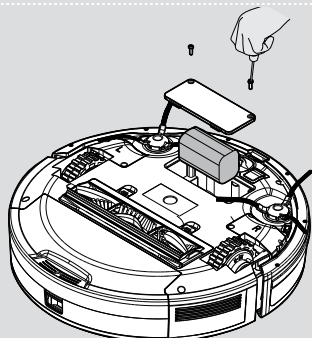
Izogibajte se uporabi svojega robotskega čistilnika na neposredni sončni svetlobi ali na temnih položajenih površinah, saj bodo ti pogoji negativno vplivali na obnašanje vašega robota.



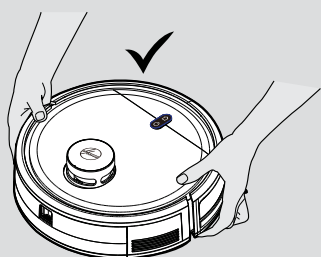
Slika 13



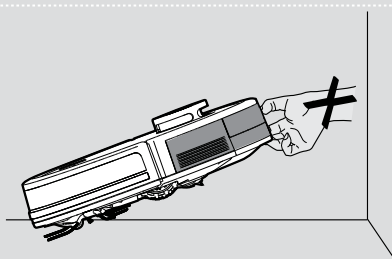
Slika 14



Slika 15



Slika 16



Slika 17

ODPRAVLJANJE TEŽAV

Če boste imeli kakršne koli težave s svojim robotom, s pomočjo enostavnega seznama v nadaljevanju preverite naslednje preden pokličete Hooverjev servisni center za stranke.

• Robot ne deluje, ko je vklopljen

Gumb z lučjo ON/OFF in gumbi Home	Postopki
Utripajo belo in modro	Preverite, ali so krtače za čiščenje robov čiste in pravilno nameščene
	Preverite, ali je krtača čista in pravilno nameščena
Sveti belo	Preverite, ali je posoda za prah pravilno vstavljena
Utripajo belo in svetlo modro	Preverite, ali so kolesa pogona čiste in delujejo
Utripajo modro in svetlo modro	Preverite, ali so senzorji za preprečevanje padcev in prednji odbijač čisti in delujejo
Utripajo belo	Preverite, ali LIDAR stolp deluje

• Robot se ne napolni samodejno

Prepričajte se, da ni ovir med robotom in polnilno postajo in da ni ovir na območju okoli polnilne postaje 2 metra pred njo in 1 meter na vsaki strani.

• Robot je ujet

Robot se bo poskusil osvoboditi, ampak v nekaterih primerih mu morate ročno pomagati.

• Robotski sesalnik je med čiščenjem zelo hrupen

Očistite posodo za prah in filter, očistite in preverite krtačo in kolesa pogona.

• Moč čiščenja je slaba.

Očistite posodo za prah in filter, očistite in preverite krtačo in kolesa pogona.

POMEMBNE INFORMACIJE

Nadomestni deli in potrošni material Hoover

Vedno uporabljajte originalne nadomestne dele Hoover. Dobite jih pri lokalnem prodajalcu Hooverjevih izdelkov. Pri naročanju delov vedno navedite številko modela.

Kakovost

Hooverjeve tovarne so bile predmet neodvisnega ocenjevanja kakovosti. Naši izdelki so izdelani na osnovi sistema kakovosti, ki izpolnjuje zahteve standarda ISO 9001.

GARANCIJA

Garancijski pogoji za to napravo so taki, kot jih določi zastopnik v državi, kjer je naprava prodana. Podrobnosti glede garancijskih pogojev lahko dobite od prodajalca, pri katerem ste napravo kupili. Če želite uveljavljati kakršno koli garancijo, potrebujete potrdilo o nakupu ali račun.

Garancija se lahko spreminja brez predhodnega obvestila.

POKYNY PRE BEZPEČNÉ POUŽITIE

Tento spotrebič je určený na domáce čistenie, ako je uvedené v tejto používateľskej príručke. Pred použitím spotrebiča sa, prosím, uistite, že ste tejto príručke plne porozumeli.

Pred čistením spotrebiča alebo jeho akoukoľvek údržbou vždy zariadenie vypnite a nabíjačku vytiahnite zo zásuvky.

Tento spotrebič môžu používať deti staršie ako 8 rokov. Osoby s obmedzenými fyzickými, zmyslovými alebo duševnými schopnosťami, alebo nedostatočnými skúsenosťami a znalosťami môžu spotrebič používať vtedy, ak sú pod dohľadom alebo im boli dané pokyny týkajúce sa bezpečného použitia spotrebiča a rozumejú možným rizikám. Deti sa so spotrebičom nesmú hrať. Čistenie a údržbu nesmú vykonávať deti bez dozoru.

Ak je napájací kábel poškodený, okamžite prestaňte spotrebič používať. Aby nedošlo k ohrozeniu bezpečnosti, napájací kábel musí vymeniť autorizovaný servisný technik spoločnosti Hoover.

Ak oblasť, ktorá sa má čistiť, obsahuje balkón alebo schody, mala by sa použiť fyzická zábrana, ktorá zabráni prístupu na balkón alebo schodisko a zabezpečí bezpečnú prevádzku. Malé deti a domáce zvieratá musia byť počas čistenia robota pod dozorom.

Spotrebič vždy skladujte v interiéri. Spotrebič nepoužívajte vonku a nevystavujte ho poveternostným vplyvom, vlhkosti alebo zdrojom tepla (rúra, krb, mokrá podlaha).

Nevystavujte robot ani príslušenstvo nadmernému teplu/chladu (udržiavajte teplotu medzi 0–30 °C).

Nenechajte robot spadnúť ani nepoužívajte žiadne príslušenstvo, ak spadol, bol poškodený, ponechaný vonku alebo spadol do vody.

Nikdy neodpájajte sieťový adaptér ťahaním za neho.

Nepoužívajte ho na čistenie schodov.

Nabíjanie batérie

Používajte iba originálnu nabíjačku dodanú so spotrebičom.

Skontrolujte, či napätie a hodnoty uvedené na štítku nabíjačky zodpovedajú napätiu v miestnej sieti.

Batérie nikdy nenabíjajte pri teplotách nad 30°C alebo pod 0 °C.

Zapojte nabíjačku dodanú s týmto spotrebičom do vhodnej zásuvky.

Pri extrémnom používaní alebo extrémnych teplotných podmienkach môže dôjsť k úniku z článkov batérie. Ak sa tekutina dostane na pokožku, rýchlo ju umyte vodou. Ak sa tekutina dostane do očí, okamžite ich vyplachujte čistou vodou po dobu minimálne 10 minút. Vyhľadajte lekársku pomoc.

Je normálne, že nabíjačka je pri nabíjaní na dotyk zahriata.

Používajte iba príslušenstvo, spotrebný materiál alebo náhradné diely odporúčané alebo dodávané spoločnosťou HOOVER.

Nevysávajte tvrdé alebo ostré predmety, zápalky, horúci popol, ohorky cigariet alebo iné podobné veci.

Nesprejujte pri používaní alebo nevysávajte horľavé kvapaliny, čistiace roztoky, aerosóly alebo ich pary.

Ak sa zdá, že váš spotrebič alebo nabíjačka sú chybné, **nepoužívajte** ich.

Autorizované servisné stredisko Hoover nájdete na internetových stránkach: www.hoover.sk/sk_SK/sluzby Pre zaistenie dlhého, bezpečného a účinného fungovania tohto spotrebiča odporúčame, aby všetky servisné úkony alebo opravy vykonával len autorizovaný servisný technik spoločnosti Hoover.

Nepoužívajte spotrebič na čistenie zvierat alebo ľudí.

Batérie robota **nevymieňajte** za také, ktoré sa nedajú opakovane nabíjať.

Ak sa robot nebude používať dlhší čas (niekoľko týždňov), odpojte sieťový adaptér.

Vybratie batérie po skončení životnosti

Ak je spotrebič určený na likvidáciu, musíte najskôr vybrať batérie. Pri výbere batérií je potrebné spotrebič odpojiť od sieťového napájania. Zlikvidujte batérie bezpečne a ekologicky. Nechajte spotrebič v chode, kým sa nezastaví, aby ste batérie úplne vybili. Použité batérie je potrebné odovzdať v zbernom mieste, nesmú sa likvidovať spolu s domovým odpadom. Ak chcete vybrať batérie, obráťte sa na zákaznicke centrum spoločnosti Hoover alebo postupujte podľa nasledujúcich pokynov.

Odpojte nabíjačku a vypnite robotický vysávač. Robota otočte a položte ho na rovný povrch.

Odstráňte skrutky a kryt priestoru pre batérie. Vyberte batériu.

POZNÁMKA: Ak máte ťažkosti s demontážou zariadenia alebo ak potrebujete podrobnejšie informácie o spracovaní, zhodnotení a recyklácii tohto spotrebiča, kontaktujte miestny úrad alebo službu likvidácie domáceho odpadu.

DÔLEŽITÉ INFORMÁCIE PRED POUŽITÍM

Pred použitím robota alebo jeho príslušenstva si pozorne prečítajte nasledujúce informácie.

Robot nerozoberajte a nepokúšajte sa ho sami opravovať. Ak dôjde k poruche, obráťte sa na popredajný servis spoločnosti Hoover, ktorý vám poskytne odbornú radu. Kontakt nájdete na stránkach www.hoover.sk/sk_SK/služby.

Schody: Robotický vysávač je vybavený senzormi proti pádu zo schodov alebo cez hranu. V niektorých situáciách môžu byť senzory zmätené. Robot nedokáže rozpoznať schodíky, ktorých výška je nižšia ako 8 cm. Schodíky nižšie ako 8 cm môžu spôsobiť pád robota. Ak je k dispozícii, nastavte pomocou aplikácie oblasti so zákazom vstupu alebo virtuálne steny na ochranu vášho robota pred pádom.

Vysoko reflexné alebo veľmi tmavé povrchy používané na niektorých schodíkoch alebo schodoch, ako je sklo alebo leštená keramika, môžu spôsobiť pád robota. Ak je k dispozícii, nastavte pomocou aplikácie oblasti so zákazom vstupu alebo virtuálne steny alebo umiestnite koberec na nižší schodík na ochranu vášho robota pred pádom.

Mali by ste sa vyhnúť používaniu robota na medziposchodiach, odpočívadlách alebo vyvýšených miestach bez ohraničenia. Ak je k dispozícii, nastavte pomocou aplikácie oblasti so zákazom vstupu alebo virtuálne steny, aby ste robotovi zabránili vstup do týchto oblastí.

Používanie batérie: Váš robot je napájaný nabíjateľnými vysokokapacitnými lítium-iónovými batériami. Na tieto nabíjateľné batérie sa vzťahuje záruka 6 mesiacov, ak sú udržiavané a prevádzkované v súlade s týmto návodom na použitie.

V prípade výrazného poklesu výkonu robota môžete získať náhradné batérie od vášho predajcu Hoover.

Pre robota používajte iba náhradné diely schválené spoločnosťou Hoover. Používanie dielov, ktoré nie sú schválené spoločnosťou Hoover, je nebezpečné a má za následok stratu platnosti vašej záruky.

Na nabíjanie robota používajte iba dodanú nabíjaciú stanicu a sieťový adaptér. Použitie nesprávnej nabíjacej stanice alebo sieťového adaptéra je nebezpečné a bude mať za následok stratu platnosti vašej záruky.

Frekvenčné pásma	2412 MHz to 2472 MHz
Maximálny rádiový výkon prenášaný vo frekvenčnom pásme	802.11 b: +15.95 dBm 802.11 g: +14.91 dBm 802.11 n20: +13.78 dBm

Životné prostredie

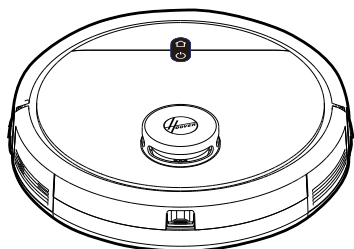
Tento symbol na spotrebiči informuje, že s týmto spotrebičom sa nesmie zaobchádzať ako s domovým odpadom. Je potrebné ho odovzdať na príslušnom zbernom mieste na recykláciu elektrických a elektronických zariadení. Likvidácia musí byť vykonaná v súlade s miestnymi predpismi pre likvidáciu odpadu. Pre podrobnejšie informácie o nakladaní so spotrebičom, jeho obnove a recyklácii sa obráťte na váš obecný úrad, odpadkovú službu pre domácnosti a alebo obchod, kde ste spotrebič zakúpili.



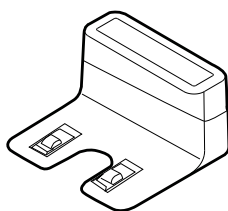
CE Tento spotrebič je v súlade s európskymi smernicami 2014/53/EÚ a 2011/65/EÚ. Aby ste obdržali kópiu prehlásenia o zhode, kontaktujte výrobcu prostredníctvom webovej stránky: www.hoover.sk.

CANDY HOOVER GROUP Srl Via Privata Eden Fumagalli, 20861 Brugherio (MB) Italy

OBSAH BALENIA



Robotický vysávač



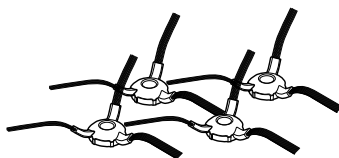
Dobíjacia základňa



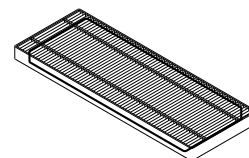
Používateľská príručka



Sieťový adaptér



4x kefa na čistenie okrajov

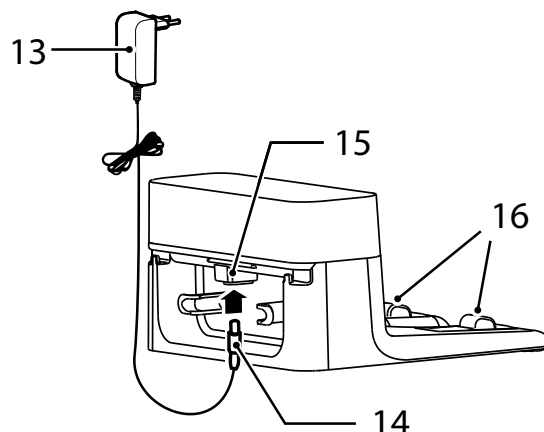
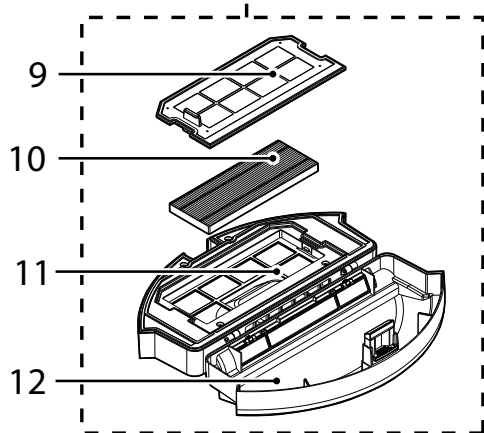
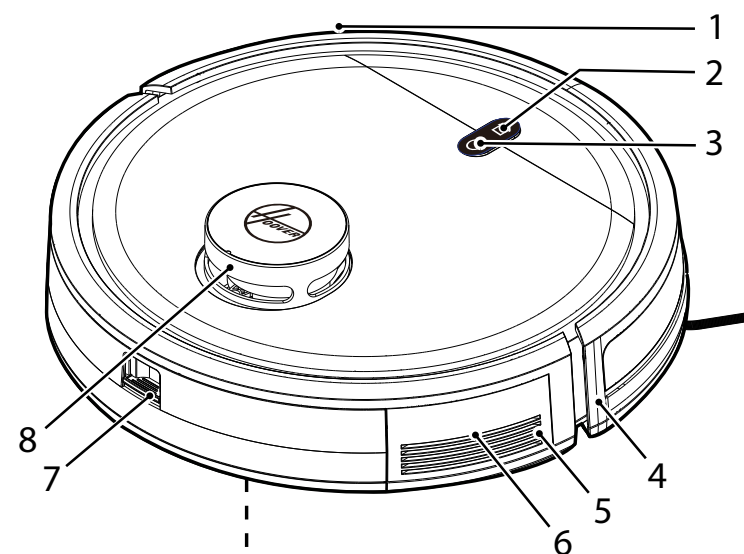


Prídavný filter pre robot



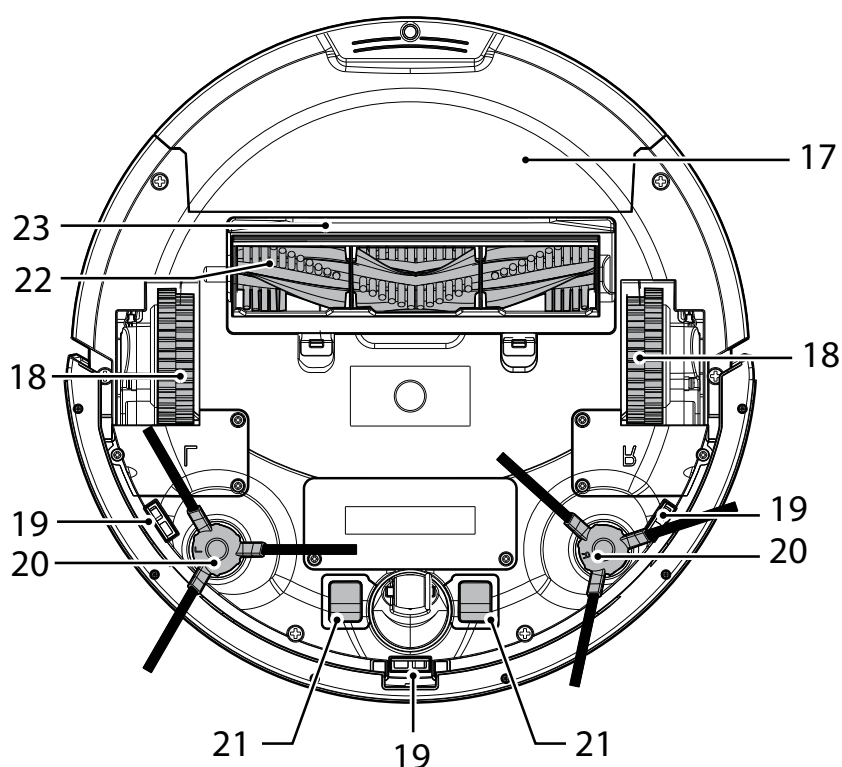
Čistiaca kefa

POZNAJTE VÁŠ ROBOTICKÝ VYSÁVAČ



1	Predný nárazník
2	Tlačidlo DOMOV (dobíjacia základňa)
3	Tlačidlo ZAP./VYP.
4	Predný signálny prijímač
5	Reproduktor
6	Tlačidlo na resetovanie (červené tlačidlo)
7	Tlačidlo na uvoľnenie nádoby na prach
8	Veža Lidar
9	Filtračná sieťka
10	Filter EPA
11	Vrchný kryt na nádobu na prach
12	Spodný kryt na nádobu na prach

13	Sieťový adaptér
14	Konektor napájacieho zdroja
15	Sieťový konektor nabíjacej základne
16	Kontakty nabíjačky



17	Nádoba na prach
18	Hnacie koleso
19	Senzor proti pádu
20	Keфа na čistenie okrajov
21	Nabíjacie kontakty
22	Rotačná keфа
23	Vrchný kryt rotačnej keфы

PRÍPRAVA ROBOTICKÉHO VYSÁVAČA

BALENIE

Nelikvidujte obal od vášho robota. V budúcnosti môže byť potrebný pre platnosť vašej záruky. Pri vybaľovaní robota a jeho príslušenstva dajte na to, aby ste vrecká uchovávali mimo dosahu dočiat, malých detí a zvierat. Predídete tak riziku udusenía.

Pred prvým použitím nabíjajte spotrebič 4 – 6 hodín. **[Obr. 1]**

Nevystavujte sieťový napájací adaptér robota teplotám nižším ako 0 °C alebo vyšším ako 30 °C, pretože by sa mohla poškodiť batéria.

Sieťový adaptér musíte pripájať iba ku štandardnej sieťovej zásuvke.

BATÉRIA

Pre optimálny výkon batérie sa odporúča, aby ste batérie robota udržiavali plne nabitú.

Keď sa robot nepoužíva, mali by ste ho nechať pripojený k dobíjacej základni. Robot má inteligentný systém nabíjania. Tento zabraňuje nadmernému nabitíu batérií.

Aby ste predišli nehodám, uistite sa, že každá osoba v miestnosti si je vedomá prítomnosti robota.

PRÍPRAVA VÁŠHO DOMOVA

Pred použitím odstráňte prekážky, ktoré sa môžu robotovi dostať do cesty. Dávajte pozor na:

- Predmety, ktoré sa môžu ľahko prevrhnúť.
- Okraje kobercov alebo koberčekov, o ktoré sa robot môže zachytiť.
- Záclony, siahajúce na podlahu a obrusy.
- Zdroje tepla alebo horľavé predmety.
- Napájacie káble a iné káble.
- Krehké predmety.

NASTAVENIE NABÍJACEJ STANICE

1. Zapojte sieťový adaptér a pripojte ho k dobíjacej základni. **[Obr. 2]**
2. Uistite sa, že sa napájací kábel nezachytí pod dobíjacou základňou.
3. Umiestnite dobíjaciu základňu na nereflexnú rovnú podlahu, najlepšie k stene. Keď je povrch podlahy príliš reflexný, ruší navigačný systém robota a ten môže mať ťažkosti pri lokalizácii dobíjacej základne.
4. V oblasti okolo dobíjacej základne by sa nemali nachádzať žiadne predmety v okruhu 2 metrov z prednej strany a 1 meter po bokoch. **[Obr. 2]**
5. Uistite sa, že napájací kábel nie je zamotaný alebo natiahnutý. Na prebytočnú časť napájacieho kábla použite sťahovaciu šnúru, aby ste ho úhľadne uložili.
6. Skontrolujte, či je nádoba na prach správne vložená do robota
7. Zatláčte dve kľesy na čistenie okrajov do konzol, kým nezacvaknú na miesto. Venujte pozornosť označeniu L a R na zariadení, ako aj na kefách. **[Obr. 3]**
8. Odstráňte spongie z robotického vysávača. Začnite tak, že navediete robot do dobíjacej základne. Počas bežného používania bude úplné nabitie trvať približne 4 až 5 hodín.

NABÍJANIE BATÉRIE [Obr. 4]

Dlhým stlačením tlačidla ZAP./VYP. robota na dobu 3 až 5 sekúnd zapnete robota a položte ho pred dobíjaciu základňu.

Stlačte tlačidlo Domov (dobíjacia základňa) na robotovi a uistite sa, že sa presúva k dobíjacej základni.

Pre optimálny výkon batérie sa odporúča, aby ste batériu robota udržiavali plne nabitú.

Keď sa batéria nabíja, tlačidlá ZAP./VYP. a Domov (dobíjacia základňa) blikajú na bielo.

Keď je batéria plne nabitá, svetlá nesvietia.

Automatické nabíjanie

Ak je kapacita batérie robota nízka počas čistenia, robotický vysávač prestane umývať a začne vyhľadávať dobíjaciu základňu kvôli nabíjaniu.

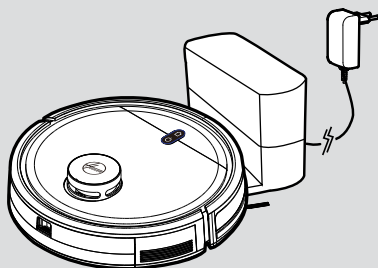
Keď robotický vysávač ukončí čistenie, automaticky sa prepne do režimu dobíjania a začne vyhľadávať dobíjaciu základňu kvôli nabíjaniu.

POZNÁMKA: Uistite sa, že nabíjacie kontakty robota a dobíjacej základne nie sú znečistené. V prípade potreby vyčistite nabíjacie kontakty.

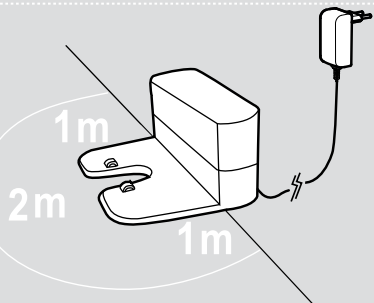
Ak nie je možné zapnúť robot kvôli nízkej spotrebe energie, manuálne ho premiestnite na dobíjaciu základňu. Nabíjacie kontakty musia byť zarovnané a kefa na čistenie okrajov nesmie byť zaseknutá medzi nabíjacími kontaktmi.

Batéria

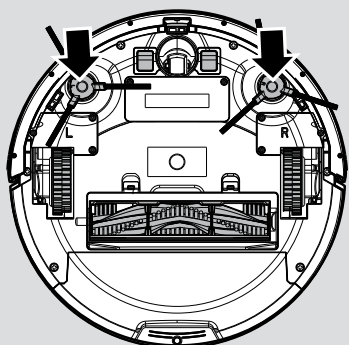
Postupom času kapacita batérie vášho robota poklesne a bude potrebné ju vymeniť. Náhradnú batériu si môžete zakúpiť u autorizovaného predajcu Hoover. Používajte iba originálne náhradné diely a príslušenstvo spoločnosti Hoover.



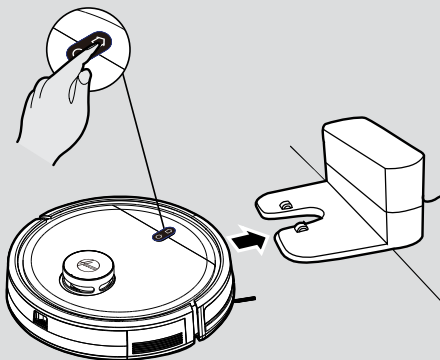
Obr. 1



Obr. 2



Obr. 3



Obr. 4

POUŽÍVANIE ROBOTICKÉHO VYSÁVAČA

• Tlačidlo Domov (dobíjacia základňa)

Krátke stlačenie: Nabíjanie

Dlhé stlačenie: Pripojenie aplikácie

Svetelný indikátor:

Blikajúce biele svetlo: nabíja sa

Rýchlo blikajúce biele svetlo: Pripojenie aplikácie

• Tlačidlo ZAP./VYP.

Dlhé stlačenie: zapnutie (ak je robot vypnutý)

Dlhé stlačenie: vypnutie (ak je robot zapnutý)

Krátke stlačenie: štart/pauza (ak je robot v režime spánku)

Svetelný indikátor:

Blikajúce modré svetlo: pohotovostný režim

Modré svetlo stále svieti: pracovný režim

Modrá svetlo nesvieti: režim spánku

1. Prevádzkový proces robota: režim spánku > pohotovostný režim > pracovný režim

A. Režim spánku: Keď je robot v pohotovostnom režime a nepracuje po dobu 3 minút, automaticky sa prepne do režimu spánku. Keď je robot v režime spánku, tlačidlo so svetlom je vypnuté a robot sa nepohybuje.

B. Pohotovostný režim: Keď je robot v pohotovostnom režime, tlačidlo so svetlom bliká na modro a robot sa nepohybuje.

C. Pracovný režim: Keď robot pracuje, tlačidlo so svetlom stále svieti na modro a robot je v procese čistenia.

2. Pause (Pauza)

Pauza znamená, že sa robot prepne z pracovného režimu do pohotovostného režimu. Táto funkcia sa môže ovládať stlačením tlačidla „Zap./Vyp.“ na robotovi alebo pomocou mobilnej aplikácie.

Pozor! [Obr. 5]

Ak je robot v režime spánku, dvakrát stlačte tlačidlo „ZAP./VYP.“ na robote na spustenie čistenia.

Ak sa robot nepoužíva počas dlhšieho obdobia, dlhým stlačením tlačidla „ZAP./VYP.“ ho vypnite. Keď robot narazí na prekážku, stlačte tlačidlo na resetovanie na klaksóne po dobu 2 – 3 sekúnd ihlou menšou ako 2 mm a násilne ho vypnite.

STIAHNUTIE APLIKÁCIE A PRIPOJENIE CEZ SIŤ WIFI [Obr. 6]

Aby ste mali prístup ku všetkým funkciám robota odkiaľkoľvek, odporúčame stiahnuť si aplikáciu HG5 APP. Vášho robota budete môcť ovládať tým najefektívnejším spôsobom.

1. Stiahnite si aplikáciu „HG5“ z Apple App Store, Google Play alebo App Gallery.
2. Otvorte aplikáciu a vytvorte si účet pomocou e-mailu a hesla. Potvrďte prihlásenie.
3. Skontrolujte, či je vaše mobilné zariadenie pripojené k sieti WiFi.
4. Kliknite na možnosť „pridať zariadenie“ v APLIKÁCIÍ a postupujte podľa pokynov na dokončenie párovania.

UPOZORNENIE

Názov siete WiFi nesmie presiahnuť 32 znakov.

Ak pripojenie zlyháva, postupujte podľa nasledujúcich krokov:

- Uistite sa, že ste zadali správne heslo WiFi
- Uistite sa, že ste nastavili sieť WiFi na hodnotu 2,4 GHz
- Uistite sa, že robot nie je príliš ďaleko od smerovača.

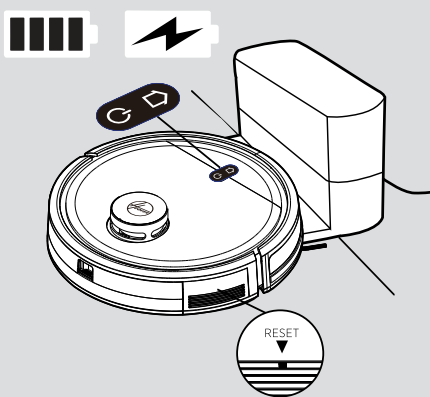
POMOCOU APLIKÁCIE HG5

Po úspešnom spárovaní robota môžete vytvárať mapu svojho domova. Tým sa povolí prístup k plne prispôsobiteľným nastaveniam a harmonogramom čistenia robota.

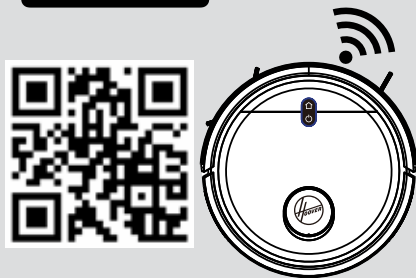
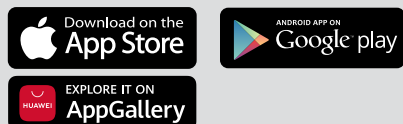
Kliknutím na ikonu robota prejdete na stránku s mapou. Pred zapnutím robota odstráňte všetky predmety na podlahe (káble, ponožky, topánky).

Kliknite na tlačidlo ZAP., aby robot spustil mapovanie vášho bytu. Na vašej domovskej stránke sa zobrazí tvorba mapy. Akonáhle robot zoskenuje celý váš byt, na telefóne uvidíte kompletnú mapu. Môžete pomenovať každú miestnosť, prispôbiť si ju a nastaviť špeciálny plán čistenia (úroveň sacieho výkonu, úroveň vytierania, frekvencia čistenia atď.).

- Čas čistenia: označuje trvanie posledného procesu čistenia
- Vyčistená plocha: indikuje štvorcové metre, ktoré robot vyčistil počas posledného čistenia
- Batéria: aktuálna úroveň nabitia batérie



Obr. 5



Obr. 6

- ZAPNUTIE (▲)

Robot spustí čistenie podľa aktuálnych nastavení čistenia.

- NÁVRAT SPÄŤ NA NABÍJANIE (▼)

Robot sa vráti do dobíjacej základne.

* Všetky ostatné ikony sa zapnú a budú dostupné až po kliknutí na ikonu Zapnúť.

- PREJSŤ NA MIESTO (📍)

Vyberte špecifické miesto na mape, robot tam prejde a spustí čistenie podľa aktuálnych nastavení čistenia.

- VYBRAŤ MIESTNOSŤ (📍)

Vyberte špecifickú miestnosť na mape, robot tam prejde a spustí čistenie podľa aktuálnych nastavení čistenia miestnosti.

- VYBRAŤ OBLASŤ (📍)

Vyberte špecifickú oblasť na mape, robot tam prejde a spustí čistenie podľa aktuálnych nastavení čistenia.

- OBLASTI SO ZÁKAZOM VSTUPU (🚫)

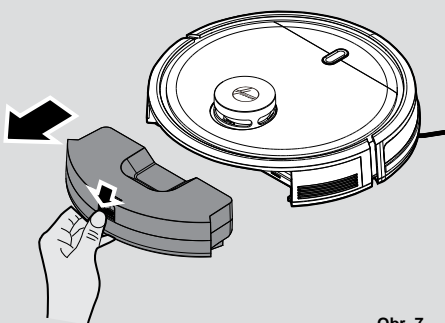
Určíte špecifickú oblasť, kam nesmie robot vstúpiť. Môžete určiť oblasti so zákazom vstupu pre mopovanie, vysávanie alebo oboje.

- PRISPŮSOBIŤ (🔄)

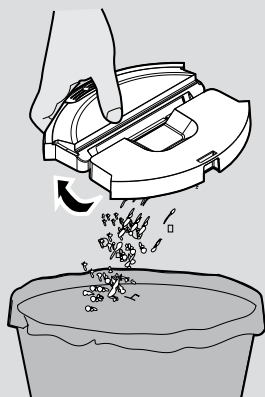
Prispôbte miestnosti na mape. Môžu sa zlúčiť alebo rozdeliť rozličné miestnosti, úplne resetovať mapu, premenovať miestnosti, nastaviť plán čistenia pre každú miestnosť, nastaviť poradie upratovania pre miestnosti.

- NASTAVENIA (⋮)

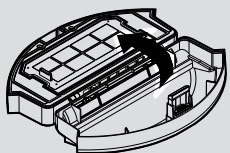
Úplný zoznam nastavení robota



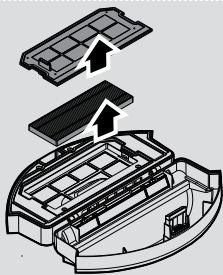
Obr. 7



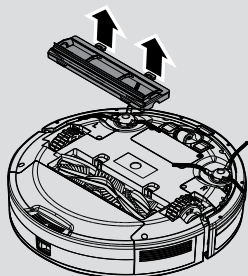
Obr. 8



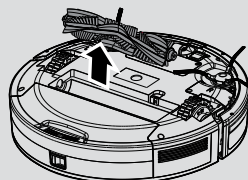
Obr. 9



Obr. 10



Obr. 11



Obr. 12

ÚDRŽBA ROBOTICKÉHO VYSÁVAČA

VYPRÁZDNENIE NÁDOBY NA PRACH

Pred vykonaním akejkoľvek údržby sa uistite, že je robot vypnutý.

1. Vypnite robota a vyberte ho z dobíjacej základne.
2. Použite suchú handričku na vyčistenie všetkých povrchov. Počas čistenia NEDOVOLTE, aby voda vnikla do akejkoľvek časti výrobku.

Po vysávaní vyberte nádobu na prach.

1. Stlačte uvoľňovacie tlačidlo a vytiahnite ju. [Obr. 7]
2. Nádobu na prach vyprázdňte nad košom na odpadky. [Obr. 8]
3. Ak je to potrebné, použite čistiacu kefu na odstránenie prebytočného prachu z vnútorného povrchu nádoby na prach alebo z povrchu filtra
4. Nádobu na prach uložte naspäť do robota

ČISTENIE FILTROV

Robot je vybavený predfiltrom motora. Aby sa zachoval optimálny čistiaci výkon, pravidelne čistite kryt filtra a predfilter motora. Mali by sa čistiť po každom 5 vyprázdnení nádoby na prach a nemali by sa umývať.

1. Po vysávaní odstráňte nádobu na prach, stlačte uvoľňovacie tlačidlo a vytiahnite ju. [Obr. 7]
2. Vyprázdňte nádoby na prach. [Obr. 8] Otvorte nádobu na prach, vyberte filtračnú sieťku spolu s filtrom, potom odstráňte filter EPA z filtračnej sieťky a jednotlivu ich vyčistite. Montáž sa vykonáva v opačnom poradí, uistite sa, že je filter zostavený správne. [Obr. 9,10]

DÔLEŽITÉ: Pravidelne kontrolujte a udržiavajte filtre podľa pokynov na údržbu filtra. Tak sa zachová maximálny čistiaci výkon.

Ak sú filtračná sieťka a filter poškodené, musia sa ihneď odstrániť a včas vymeniť, aby sa zabránilo poškodeniu motora vysávača.

ČISTENIE ROTAČNEJ KEFY

Ak chcete zachovať optimálny výkon vysávača, pravidelne čistite rotačnú kefu.

1. Vypnite robota a otočte ho.
2. Stlačte spony na doske a odstráňte rotačnú kefu. [Obr. 11]
3. Zdvihnute rotačnú kefu uchopením jedného jej konca. [Obr. 12]
4. Použite čistiacu kefu na odstránenie prípadných zamotaní rotačnej kefy a nečistôt na štetinách. Nestraťte gumovú manžetu na guľôčkovom ložisku.
5. Po vyčistení vložte rotačnú kefu a jej kryt späť do robota.

Pozor: Všetky úlohy týkajúce sa údržby sa musia vykonávať po vybratí nádoby na prach, aby sa zabránilo náhodnému vysypaniu nečistôt z nádoby na prach.

ČISTENIE KEFIEK NA ČISTENIE OKRAJOV

Ak sú označené kefy na čistenie okrajov, pred použitím ich vyčistite čistou vodou a vysušte; ak je poškodená kefa na čistenie okrajov a nefunguje normálne, vymeňte ju.

Pozor!

Pri výmene kefiiek na čistenie okrajov porovnajte značky „L“ a „R“ na kefe so značkami „L“ a „R“ na spodnej časti robota.

ČISTENIE HNACÍCH KOLIESOK [Obr. 13]

1. Vypnite robota a otočte ho.
2. Odstráňte z koliesok zachytené nečistoty alebo vlasy.
3. Kolieska očistite suchou handrou.

ČISTENIE ŠOŠOVIEK SENZOROV PROTI PÁDU [Obr. 14]

Na zaistenie bezpečnej prevádzky vášho robota je dôležité udržiavať senzory proti pádu čisté. Na dolnej strane robota sa nachádzajú 3 snímače. Otočte robota naopak a vyčistite ho suchou handričkou na odstránenie nahromadeného prachu, nečistôt alebo úlomkov.

VÝMENA BATÉRIÍ [Obr. 15]

1. Skrutkovačom odstráňte skrutky z krytu batérie v dolnej časti robota;
2. Vyberte kryt batérie.
3. Odpojte konektor a vyberte batériu z priehradky;
4. Vložte novú batériu do priehradky a opätovne ju pripojte ku konektoru. Dávajte pozor na správne zarovnanie konektora a káblov. Namontujte späť kryt batérie a zatvorte ho dvomi skrutkami.
5. Zapnite ho a skontrolujte, či je v poriadku.

Pozor!

Odstránené batérie recyklujte spôsobom šetrným k životnému prostrediu, čím sa zabránili znečisteniu.

DÔLEŽITÁ POZNÁMKA

Pre robota používajte iba schválené náhradné diely.

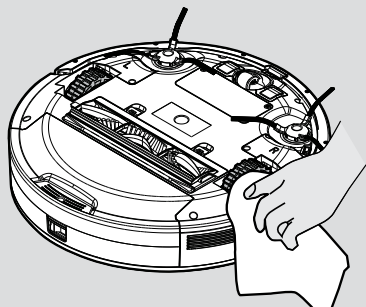
Používanie dielov, ktoré nie sú schválené spoločnosťou Hoover, je nebezpečné a spôsobí zánik platnosti záruky.

Ak sa robot nebude niekoľko mesiacov používať, vyberte batérie a uložte ho na chladnom a suchom mieste.

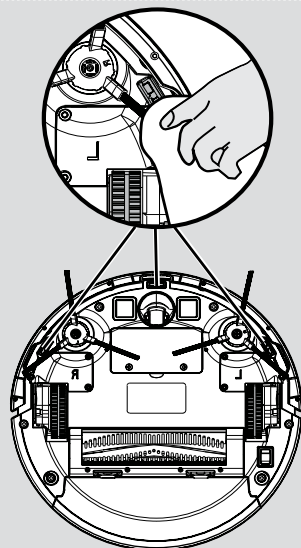
DÔLEŽITÉ: Pred údržbou sa vždy uistite, že je vaše zariadenie vypnuté. Na zdvíhanie a prenášanie vždy používajte obe ruky a uistite sa, že robota držíte vo vodorovnej polohe. [Obr. 16]

Pri zdvíhaní robotického čističa sa uistite, že ho nechytáte za nádobu na prach, aby ste predišli náhodnému otvoreniu. [Obr. 17]

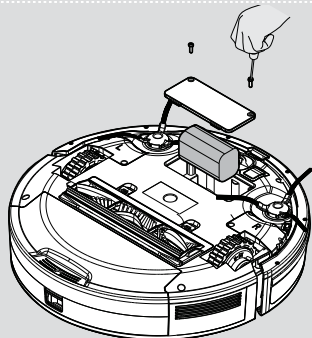
Vyhýbajte sa používaniu vášho robotického čističa na priamom slnečnom svetle alebo na tmavých leštených povrchoch, pretože tieto podmienky nepriaznivo ovplyvnia správanie vášho robota.



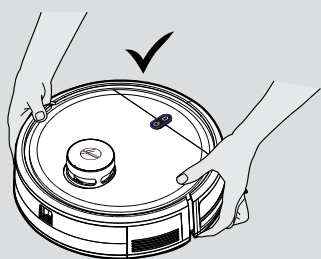
Obr. 13



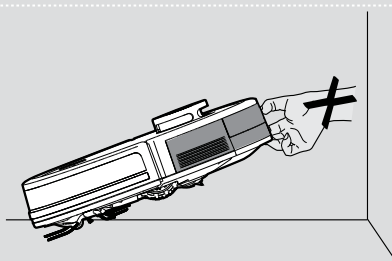
Obr. 14



Obr. 15



Obr. 16



Obr. 17

RIEŠENIE PROBLÉMOV

Ak máte problém s robotom, pred obrátením sa na miestny servis spoločnosti Hoover vykonajte kontrolu podľa tohto zoznamu.

• Robot nefunguje, keď je zapnutý

Svetelný indikátor tlačidiel ZAP./VYP. and Domov	Úkony
Blikanie bielej a modrej farby	Skontrolujte, či sú kefy na čistenie okrajov čisté a umiestnené správne
	Skontrolujte rotačnú kefu, či je čistá a správne umiestnená
Biela svieti	Skontrolujte, či je nádoba na prach správne vložená
Biele a svetlomodré svetlo blikajú	Skontrolujte, či sú hnacie kolesá čisté a funkčné
Modré a svetlomodré svetlo blikajú	Skontrolujte, či sú senzory proti pádu a predný nárazník čisté a funkčné
Biela farba blikajú	Skontrolujte funkčnosť veže Lidar

• Robot sa nenabíja automaticky

Uistite sa, že medzi robotom a dobíjacou základňou nie sú žiadne prekážky a že v oblasti okolo dobíjacej základne nie sú žiadne predmety vo vzdialenosti 2 metre pred robotom a 1 meter po bokoch.

• Robot uviazol

Robot sa pokúsi vyslobodiť sám, ale v niektorých prípadoch musíte robotovi pomôcť manuálne.

• Robot je pri čistení veľmi hlučný

Vyčistite nádobu na prach a filter, vyčistite a skontrolujte rotačnú kefu a hnacie kolesá.

• Čistiaci výkon je slabý

Vyčistite nádobu na prach a filter, vyčistite a skontrolujte rotačnú kefu a hnacie kolesá.

DÔLEŽITÉ INFORMÁCIE

Náhradné diely a spotrebný materiál Hoover

Vždy nahrádzajte diely originálnymi náhradnými dielmi od spoločnosti Hoover. Získate ich u miestneho predajcu výrobkov Hoover alebo u servisných partnerov. Pri objednávaní náhradných dielov láskavo vždy uvádzajte číslo modelu.

Kvalita

Kvalita výroby vo výrobných továrňach spoločnosti Hoover bola posúdená nezávislou organizáciou. Naše výrobky sú vyrobené s využitím systému kvality, ktorý spĺňa požiadavky normy ISO 9001.

Vaša záruka

Záručné podmienky pre tento spotrebič sú definované našim zástupcom v krajine, v ktorej sa predáva. Podrobnosti týkajúce sa týchto podmienok je možné získať u obchodníka, u ktorého bol spotrebič zakúpený. Pri reklamácií podľa týchto záručných podmienok je nutné predložiť doklad o kúpe alebo účtenku.

Právo zmeny bez predchádzajúceho upozornenia vyhradené.

GÜVENLİ KULLANIM TALİMATLARI

Bu ürün kullanım kılavuzunda belirtildiği gibi yalnızca ev temizliği için kullanılmalıdır. Lütfen ürünü kullanmadan önce bu kılavuzun tam olarak anlaşıldığından emin olun.

Cihazı temizlemeden ya da herhangi bir bakım işlemi uygulamadan önce daima cihazı kapatın ve şarj aletini prizden çıkarın.

Bu cihaz 8 yaş ve üzeri çocuklar ve yetersiz fiziksel, duyuşsal veya zihinsel kabiliyete sahip kişiler ya da deneyim ve bilgi yoksunu kişiler tarafından bir yetişkinin gözetiminde veya cihazın güvenli bir şekilde kullanımı ile ilgili talimatı ve bulunan tehlikelerin açıkça anlatılması ile kullanılabilir. Çocuklar cihaz ile oynamamalıdır. Temizleme ve bakım işlemi denetimsiz şekilde çocuklar tarafından yapılmamalıdır.

Güç kablosu hasar görürse cihazı kullanmayı derhal bırakın. Herhangi bir yaralanmaya engel olmak için güç kablosunun mutlaka yetkili bir Hoover servisi tarafından değiştirilmesi gereklidir.

Temizlenecek alan bir balkon veya merdiven içeriyorsa, balkona veya merdivene erişimin engellenmesi ve emniyetli çalışmanın temin edilmesi için fiziksel bir engel kullanılmalıdır. Robot temizlik yaparken küçük çocuklar ve evcil hayvanlar gözetim altında tutulmalıdır.

Cihazı daima içeride muhafaza ediniz. Dış mekanda kullanmayınız ya da cihazı doğa şartlarına, neme veya ısı kaynaklarına maruz bırakmayınız (fırın, şömine, ıslak zemin).

Robot ya da aksesuarlarını aşırı ısıya / soğuğa maruz **bırakmayınız** (0-30°C arasında muhafaza ediniz). Robotu düşürmeyiniz ya da aksesuarları düşürülmüş, hasar görmüş, dışarıda bırakılmış ya da suya düşmüşse kullanmayınız.

Asla fişten çekmeyiniz ya da şebeke güç adaptörünü güç kablosundan tutarak çekmeyiniz. Merdivenleri temizlemede kullanmayınız.

Pilin Şarj Edilmesi

Yalnızca cihazla birlikte verilen şarj aletini kullanın.

Besleme voltajının şarj aleti üzerinde belirtilen değerle aynı olup olmadığını kontrol edin.

Pilleri asla 30°C'nin üzerindeki veya 0°C'nin altındaki sıcaklıklarda şarj etmeyin.

Bu cihaz ile birlikte verilen şarj aletini uygun bir prize takın.

Olağanüstü kullanım veya sıcaklık koşullarında pil hücreleri sızıntı yapabilir. Sızan sıvı cildinize temas ederse hemen suyla yıkayın. Sıvı gözlerinize temas ederse gözlerinizi derhal ve en az 10 dakika boyunca bolca temiz suyla yıkayın. Tıbbi destek alın.

Şarj aletinin şarj olurken ısınması doğaldır.

Yalnızca Hoover tarafından önerilen veya sağlanan aparatları, malzemeleri ve yedek parçaları kullanın.

Sert ya da keskin nesnelere, kibritleri, sigara izmaritlerini ya da benzer nesnelere makineyle **almayın**.

Yanıcı sıvılar, temizleme sıvıları, aerosollar ya da bunların buharlarını püskürtmeyin ya da makineye çekmeyin.

Arızalı görünüyorsa, cihaz ya da şarj aletini kullanmaya **devam etmeyin**.

Hoover teknik servisi: Cihazın uzun süre güvenli ve verimli kullanımını sağlamak için, servis ve bakımlarının yetkili Hoover servisinde yapılmasını tavsiye ederiz.

Cihazı hayvanların ya da insanların temizlenmesinde **kullanmayın**.

Robotun pillerini şarj edilemeyen pillerle **değiştirmeyin**.

Robot uzun bir süre boyunca kullanılmıyacaksa (birkaç hafta boyunca) elektrik adaptörünü fişten çıkarın.

Hizmet ömrü biten pillerin elden çıkarılması

Cihaz atılacağı zaman, öncelikle piller çıkartılmalıdır. Pil çıkartılırken, cihaz şebeke beslemesinden çıkartılmalıdır. Pilleri güvenli bir şekilde imha edin. Pillerin tamamen boşalması için cihazı durana kadar çalıştırın. Kullanılmış piller bir geri dönüştürme istasyonuna götürülmeli ve evsel atıklarla birlikte atılmamalıdır. Pilleri çıkarmak için, lütfen Hoover Müşteri Merkezi ile temasa geçin veya aşağıdaki talimatlara göre devam edin.

Şarj cihazını prizden çekin ve Robotu kapatın. Robotu çevirerek düz bir yüzey üzerine yerleştiriniz. Vidaları ve pil bölmesi kapağını çıkarınız. Pil takımını çıkarınız.

NOT: Birimin parçalarına ayrılması ile ilgili zorluk yaşıyorsanız ya da cihazın tamiri, onarımı ya da geri dönüşümü ile ilgili daha ayrıntılı bilgiye ihtiyaç duyarsanız lütfen belediyeniz ya da ev atıkları imha hizmetleri ile görüşün.

KULLANIM ÖNCESİ ÖNEMLİ NOTLAR

Robotunuzu veya aksesuarlarını kullanmadan önce aşağıdaki bilgileri dikkatle okuyunuz.

Robotunuzu demonte etmeyiniz ve kendi kendinize tamir etmeye çalışmayınız. Bir arıza meydana gelirse, profesyonel destek için lütfen Hoover Satış Sonrası Servis bölümüne başvurun.

Merdivenler: Robot, merdivenlerden, basamaklardan veya bir köşeden düşmeye karşı sensörler kullanmaktadır. Bazı durumlarda sensörler karışabilir.

Robot, 8 cm'den daha kısa basamakları algılayamaz. 8 cm'den daha kısa basamaklar Robotun düşmesine neden olacaktır. Varsa, Robotunuzun düşmesini engellemek için uygulamadan Girilmeyecek alanlar veya Sanal duvarlar ayarlayın.

Bazı basamaklar veya merdivenlerde kullanılan cam ya da cilalı seramikler gibi yüksek derecede yansıtıcı veya çok koyu yüzeyler Robotun aşağı düşmesine neden olabilir. Varsa, Robotunuzun düşmesini engellemek için uygulamadan Girilmeyecek alanlar veya Sanal duvarlar ayarlayın ya da alt basamağa bir halı yerleştirin.

Robotunuzu asma katlar, inişler veya sınırları bulunmayan yükseltilmiş alanlarda kullanmaktan sakınız. Varsa, Robotunuzun bu alanlara girmesini engellemek için uygulamadan Girilmeyecek alanlar veya Sanal duvarlar ayarlayın.

Pil Kullanımı: Robotunuz, şarj edilebilir, yüksek kapasiteli lityum iyon pillerle çalışmaktadır. Bu şarj edilebilir piller, Kullanım Kılavuzuna göre çalıştırılması ve bakımının yapılması şartıyla 6 ay boyunca garanti kapsamındadır.

Robotun performansında hissedilir bir düşüş fark ederseniz, Hoover satıcınızdan yedek pil temin edebilirsiniz.

Robotunuz için sadece Hoover onaylı yedek parçalar kullanın. Hoover tarafından onaylanmamış parçaların kullanımı tehlikelidir ve garantinizi geçersiz kılar.

Robotunuzu şarj etmek için, yalnızca verilen şarj istasyonunu ve şebeke güç adaptörünü kullanın. Hatalı bir şarj istasyonu veya şebeke güç adaptörü kullanılması, tehlikeli olduğu gibi garantinizin geçersiz kalmasına da neden olacaktır.

Frekans bantları	2412 MHz to 2472 MHz
Frekans bandında iletilen maksimum RF gücü	802.11 b: +15.95 dBm 802.11 g: +14.91 dBm 802.11 n20: +13.78 dBm

Çevre

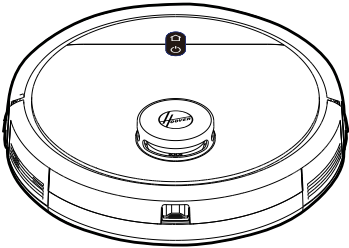
Bu aygıtta bulunan semboller aygıtın ev atığı gibi işleme yapılamayacağını belirtir. Bunun yerine uygun elektrikli ve elektronik ekipman geri dönüşüm toplama noktasına teslim edilmelidir. İmha, atık imhası için düzenlenen yerel çevre yönetmeliklerine uygun olarak yapılmalıdır. Bu aygıtta ait işlem, kurtarma ve geri dönüşümle ilgili daha ayrıntılı bilgi için, lütfen yerel şehir ofisiniz, ev atığı ve çöp atma servisiniz ya da aygıtı satın aldığınız mağaza ile iletişime geçin.



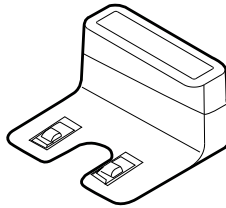
Bu cihaz, 2014/53/EU, 2014/30/EU ve 2011/65/EU sayılı Avrupa Direktifleri ile uyumludur. Uygunluk beyanının bir suretini almak için, lütfen www.candy-group.com adresinden üretici ile iletişime geçin.

CANDY HOOVER GROUP Srl Via Privata Eden Fumagalli, 20861 Brugherio (MB) Italy

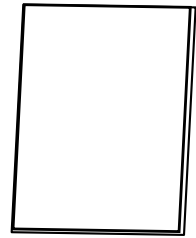
KUTU İÇERİĞİ



Robot Süpürge



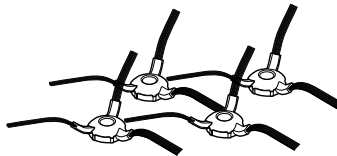
Şarj altlığı



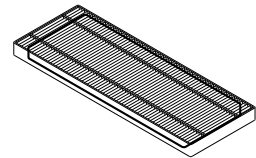
Kullanma Kılavuzu



Şebeke Güç Adaptörü



X4 Köşe Temizlik Fırçası

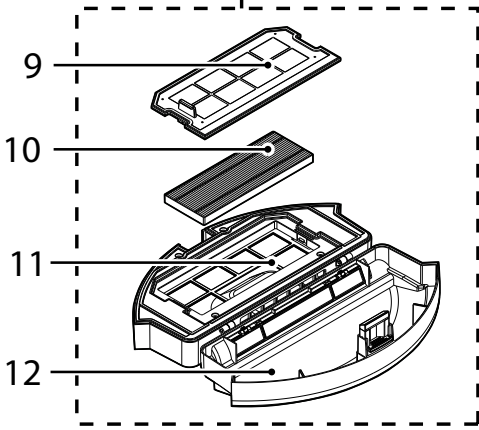
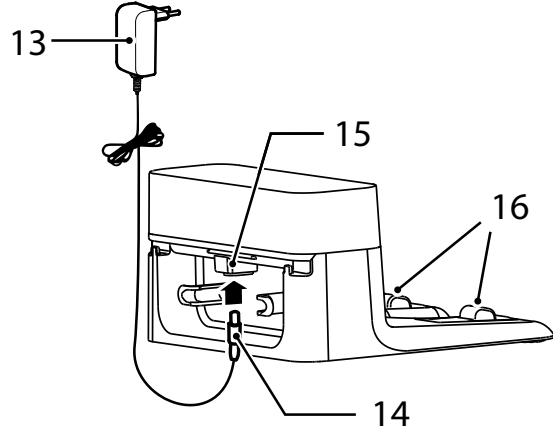
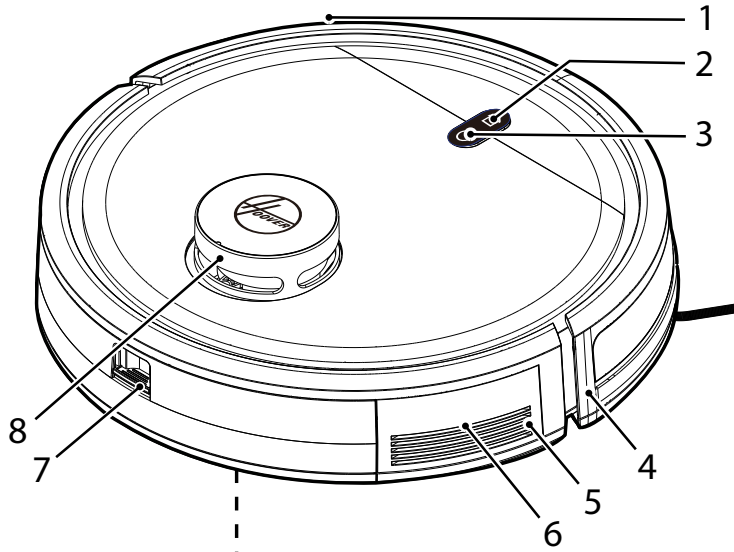


Robot için Ek Filtre



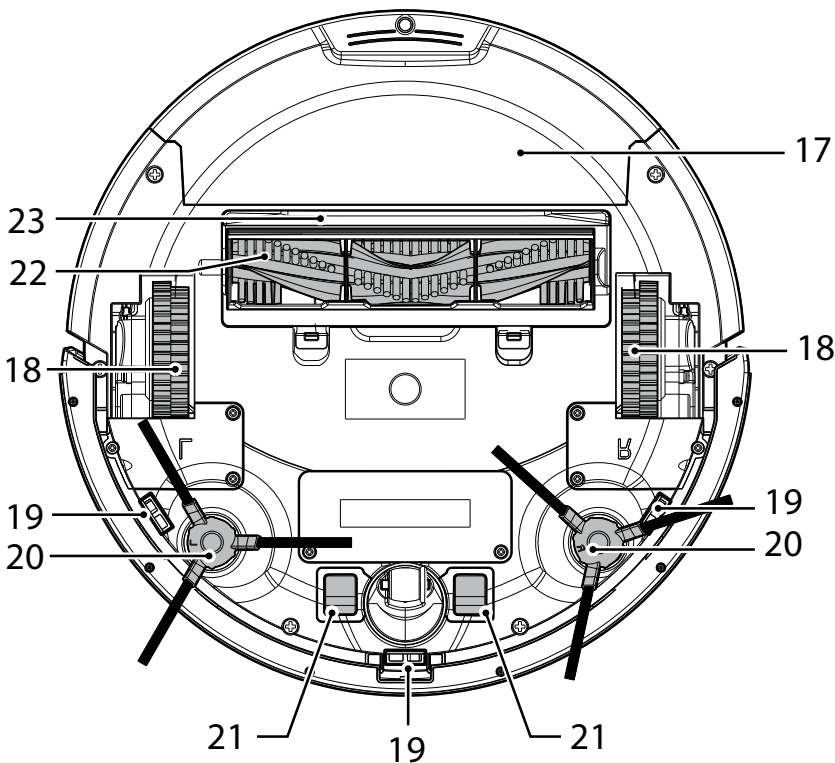
Temizlik Fırçası

ROBOT SÜPÜRGENİZİ DAHA YAKINDAN TANIYIN



1	Ön Tampon
2	EV (Şarj Altlığı) Düğmesi
3	Açık / Kapalı Güç Düğmesi
4	Ön Sinyal Alıcısı
5	Hoparlör
6	Sıfırlama Düğmesi (kırmızı düğme)
7	Toz Haznesi Açma Düğmesi
8	Işıklı Radar Kulesi
9	Filtre Örgüsü
10	EPA filtre
11	Toz Haznesinin üst kapağı
12	Toz Haznesinin alt kapağı

13	Şebeke Güç Adaptörü
14	Güç Kaynağı Konnektörü
15	DC Priz, Şarj Altlığı
16	Şarj Temas Noktaları



17	Toz Haznesi
18	Tahrik tekerleği
19	Düşme Önleyici Sensör
20	Köşe Temizlik Fırçası
21	Robotun Şarj temas noktaları
22	Döner Fırça
23	Döner Fırça Üst Kapağı

ROBOT SÜPÜRGENİZİN HAZIRLANMASI

PAKETLEME

Robotunuzun ambalajını atmayınız. İleride garantinizin geçerliliği için gerekebilir. Robotunuz ve aksesuarlarını ambalajından çıkarırken plastik poşetleri bebeklerden, çocuklardan ve hayvanlardan uzak tutun; boğulmalarına neden olabilir. İlk kullanımdan önce, cihazınızı 4-6 saat şarj edin. **[Şek. 1]** Robotun elektrik adaptörünü 0°C'nin altındaki sıcaklıklara veya 30°C'nin üstündeki sıcaklıklara maruz bırakmayınız; pil hasar görebilir. Şebeke güç adaptörü yalnızca standart bir şebeke güç çıkışına bağlanmalıdır.

PİL

Optimum pil performansı için robotunuzun pillerini tam şarjlı şekilde tutmanız tavsiye edilir. Robot kullanımda olmadığına, şarj altlığına bağlı olarak bırakılmalıdır. Robot, akıllı şarj sistemine sahiptir. bu, pillerin fazla şarj edilmesini önler. Olası kazaları önlemek için, odada Robotun bulunduğunu odadaki herkese haber veriniz.

EVİNİZİ HAZIRLAYIN

Kullanmadan önce, Robotun yürümesindeki engelleri kaldırın. Şunlara dikkat ediniz:

- Kolayca devrilebilen nesnelere.
- Cihazın takılabileceği halı ya da kilim kenarları.
- Zemine değen perdeler ve masa örtüleri.
- Isı kaynakları veya tutuşabilir maddeler.
- Güç kabloları.
- Narin nesnelere.

ŞARJ ÜNİTESİ KURULUMU

1. Ana güç adaptörünü prize takın ve Şarj Altlığına bağlayın. **[Şek. 2]**
2. Elektrik kablosunun Şarj Altlığı altında kalmadığından emin olun.
3. Şarj Altlığını zemin seviyesindeki ışık yansıtmayan bir yüzeye, tercihen duvara karşı yerleştirin. Döşeme yüzeyi çok yansıtıcı ise, Robotun navigasyon sistemini engelleyecektir ve şarj altlığının yerini tespit etmekte sorun yaşayabilir.
4. Önde 2 metre ve her tarafta 1 metre olmak üzere Şarj Altlığının etrafındaki alanda hiçbir nesne bulunmamalıdır. **[Şek. 2]**
5. Elektrik kablosunun dolanmadığından ya da gerilmediğinden emin olun. Eğer bir aşırılık varsa, kablunun düzgün şekilde saklanması için güç kablosu gergisini kullanınız.
6. Toz haznesinin robota doğru yerleştirilip yerleştirilmediğini kontrol edin
7. İki kenar temizlik fırçasını, yerine oturana kadar, braketlere bastırın. Cihaz üzerindeki L ve R işaretlerinin yanı sıra fırçalara da dikkat edin. **[Şek. 3]**
8. Süngerleri robot süpürgeден çıkarın. Başlamak için robotunuzu Şarj Altlığına yönlendirin. Normal kullanım sırasında, tam şarj yaklaşık 4/5 saatte tamamlanacaktır.

PİLİN DEĞİŞTİRİLMESİ [Şek. 4]

Robotu açmak için robotun AÇIK/KAPALI düğmesine 3 ila 5 saniye süreyle uzun basın, robotu şarj altlığının önüne koyun.

Robot üzerindeki Ev (Şarj Altlığı) Düğmesine basın, robotun şarj altlığına doğru hareket ettiğinden emin olun.

Optimum pil performansı için robotunuzun pilini tam şarjlı şekilde tutmanız tavsiye edilir.

Pil şarj olurken, AÇIK/KAPALI ve Ev (Şarj Altlığı) düğmeleri beyaz renkte yanıp sönecektir.

Pil tamamen şarj olduğunda, ışıklar SÖNER.

Otomatik Şarj

Temizlik seansı sırasında robotun pil kapasitesi düşükse, robot süpürge temizliği durduracak ve kendini şarj etmek için şarj altlığını aramaya başlayacaktır.

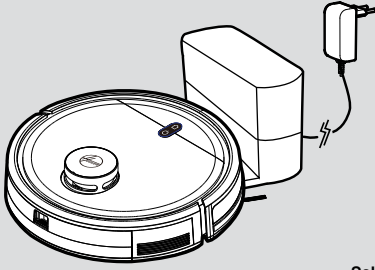
Robot Süpürge temizlik seansını bitirdiğinde, otomatik olarak şarj moduna geçecek ve kendini şarj etmek için şarj altlığını aramaya başlayacaktır.

NOT: Robot süpürgegenin Şarj Temas Noktalarının ve şarj altlığının kirlenmediğinden emin olun. Şarj Temas Noktalarını gerekirse temizleyin.

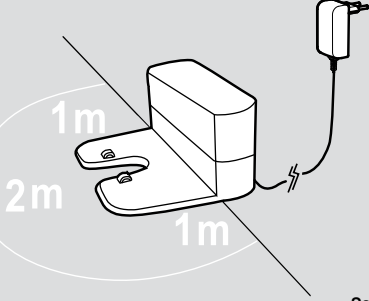
Düşük güç nedeniyle robot açılmıyorsa, lütfen robotu şarj etmek için elle şarj altlığına taşıyın. Şarj Temas Noktaları hizalanmalı ve Kenar Temizlik Fırçası Şarj Temas Noktaları arasına sıkışmamalıdır.

Pil

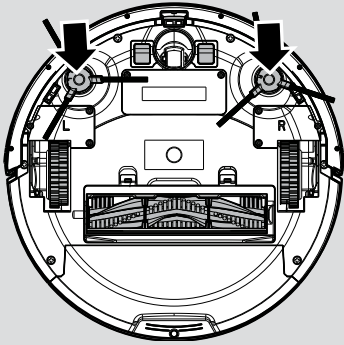
Zamanla robotunuzun pil kapasitesi azalacak ve yenisiyle değiştirilmesi gerekecektir. Yedek pil, onaylı bir Hoover satıcısından satın alınabilir. Yalnızca orijinal Hoover yedek parçaları ve aksesuarlarını kullanın.



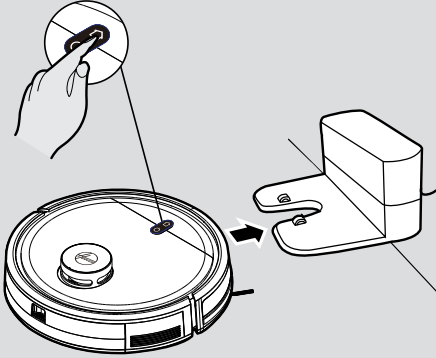
Şek. 1



Şek. 2



Şek. 3



Şek. 4

ROBOT SÜPÜRGENİZİN KULLANIMI

• Ev (Şarj Altlığı) Düğmesi

Kısa basış: Şarj

Uzun basış: Uygulama Bağlantısı

İşikli gösterge:

Yanıp sönen beyaz ışık: şarj oluyor

Hızla Yanıp Sönen Beyaz Işık: Uygulama Bağlantısı

• Açık / Kapalı Güç Düğmesi

Uzun basış: aç (robot kapalıysa)

Uzun basış: kapat (robot açıksa)

Kısa basış: başlat/duraklat (robot uyku modundaya)

İşikli gösterge:

Yanıp sönen mavi ışık: bekleme modu

Mavi ışık sürekli yanık: çalışma modu

Mavi ışık sönük: uyku modu

1. Robotun çalışma süreci: uyku modu > bekleme modu > çalışma modu

A. Uyku modu: Robot bekleme modundayken ve 3 dakikadır çalışmıyorsa, otomatik olarak uyku moduna geçecektir. Robot uyku modundayken, düğme ışığı kapalıdır ve robot hareketsizdir.

B. Bekleme modu: Robot bekleme modundayken, düğme ışığı mavi renkte yanıp söner ve robot hareketsizdir.

C. Çalışma modu: Robot çalışırken, düğme ışığı sürekli mavi renkte yanar ve robot temizlik seansındadır.

2. Duraklat

Duraklatma, robotun çalışma modundan bekleme moduna geçmesi anlamına gelir. Bu, robot üzerindeki "açık/kapalı" düğmesine basarak veya mobil Uygulama aracılığıyla çalıştırılabilir.

Dikkat! [Şek. 5]

Robot uyku modundaya, temizlemeye başlaması için robot üzerindeki "AÇIK/KAPALI" düğmesine iki kez basın.

Robot uzun süre kullanılmıyacaksa, robotu kapatmak için "AÇIK/KAPALI" düğmesine uzun basın. Robot bir çarpma ile karşılaştığında, zorla kapatmak için lütfen güç kaynağı üzerindeki Sıfırlama düğmesine 2-3 saniye boyunca 2 mm'den daha kısa bir iğne ile basın.

UYGULAMANIN İNDİRİLMESİ VE WI-FI İLE BAĞLANTI [Şek. 6]

Robotun tüm İşlevlerine herhangi bir yerden erişebilmek için HG5 Uygulamasının indirilmesi önerilir. Bu şekilde, robotu en verimli biçimde kontrol edebileceksiniz.

1. "HG5" Uygulamasını App Store, Google Play veya Uygulama Galerinizden indirin.
2. Uygulamayı açın, e-posta adresiniz ve bir parola ile bir hesap oluşturun. Oturum açmak istediğinizi onaylayın.
3. Mobil cihazınızın Wi-Fi'ya bağlı olduğundan emin olun.
4. Uygulamada "cihaz ekle"ye tıklayın, eşleştirmeyi tamamlamak için talimatları izleyin.

UYARI

WiFi adı 32 karakteri aşamaz.

Bağlantı başarısız olursa, kontrol etmek için aşağıdaki adımları izleyin:

- Doğru yönlendirici WIFI parolasını girdiğinizden emin olun
- WiFi ağınızı 2.4Ghz'ye ayarladığınızdan emin olun
- Robotun yönlendiriciden çok uzakta olmadığından emin olun.

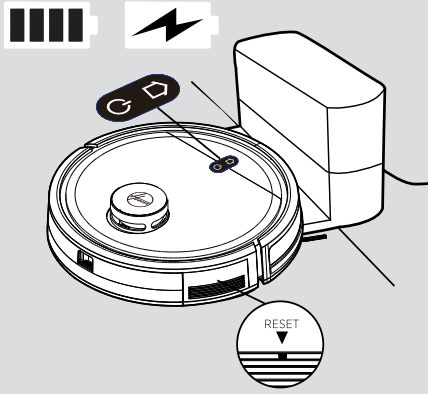
HG5 UYGULAMASI İLE

Robotunuzu başarıyla eşleştirdikten sonra evinizin haritasını oluşturabilirsiniz. Bu, robotunuzun tamamen özelleştirilebilir ayarlarına ve temizlik programlarına erişmenizi sağlayacaktır.

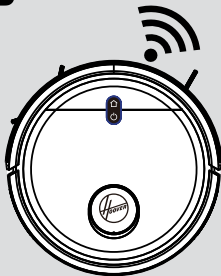
Harita sayfasına erişmek için Robot simgesine tıklayın. Robotu çalıştırmadan önce yerdeki engelleri (kablolar, çoraplar, ayakkabılar) kaldırmayı unutmayın.

Robotun dairenizi haritalamaya başlamasını sağlamak için AÇ düğmesine tıklayın. Haritanın oluşturulduğunu ana sayfanızda göreceksiniz. Robot tüm dairenizi taradığında, haritanın tamamını telefonunuzda göreceksiniz. Her odaya bir isim verebilir, özelleştirebilir ve özel bir temizlik programı ayarlayabilirsiniz (emiş gücü seviyesi, paspas seviyesi, temizlik sıklığı vb.).

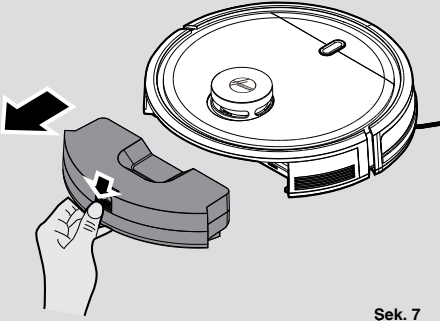
- Temizlik Süresi: en son temizlik seansının süresini gösterir
- Temizlenen Alan: son temizlik seansında robotun kapladığı metrekareyi gösterir
- Pil: pilin geçerli seviyesi



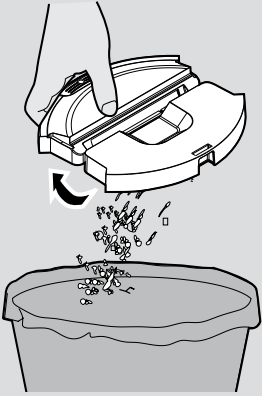
Şek. 5



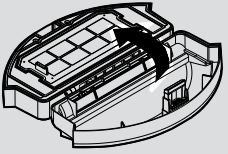
Şek. 6



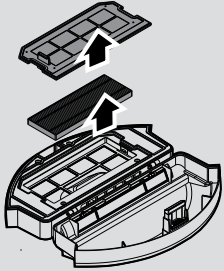
Şek. 7



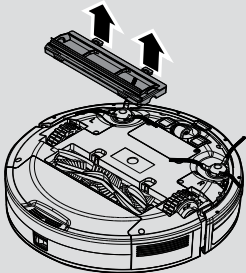
Şek. 8



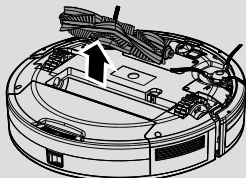
Şek. 9



Şek. 10



Şek. 11



Şek. 12

- AÇ (🔑)

Robot, geçerli temizlik ayarlarını izleyerek temizlemeye başlar.

- ŞARJA GERİ DÖN (🔋)

Robot, şarj altlığına geri dönecektir.

* Diğer tüm simgeler açılacak ve yalnızca Aç simgesine tıklandıktan sonra kullanılabilir.

- YERİNE GİT (📍)

Haritada belirli bir yer seçin, robot oraya gidecek ve geçerli temizlik ayarlarını izleyerek temizlik seansına başlayacaktır.

- ODA SEÇ (🏠)

Haritada belirli bir oda seçin, robot oraya gidecek ve oda temizlik ayarlarını izleyerek temizlik seansına başlayacaktır.

- ALAN SEÇ (📏)

Haritada belirli bir alan seçin, robot oraya gidecek ve geçerli temizlik ayarlarını izleyerek temizlik seansına başlayacaktır.

- GİRİLMEYECEK ALANLAR (🚫)

Robotun gitmesine izin verilmeyecek belirli bir alan tanımlayın. Paspas, vakum veya her ikisi için girilmeyecek alanlar tanımlayabilirsiniz.

- ÖZELLEŞTİR (🔧)

Harita üzerinde odaları özelleştirin. Farklı odaları birleştirmek veya bölmek, haritayı tamamen sıfırlamak, odaları yeniden adlandırmak, her oda için temizlik programı ayarlamak, odalar için temizlik sırası ayarlamak mümkündür.

- AYARLAR (⋮)

Robotun tam ayarlar listesi

ROBOT SÜPÜRGENİZİN BAKIMI

TOZ HAZNESİNİN BOŞALTILMASI

Her tür bakım işinden önce Robotunuzun kapalı olduğundan emin olunuz.

1. Robotu kapatıp şarj altlığından kaldırın.
2. Tüm yüzeyleri temizlemek için kuru bir bez kullanın. Temizlik süresince ürünün herhangi bir kısmına su kaçmasına izin VERMEYİNİZ.

Süpürdükten sonra, toz haznesini çıkarın.

1. Serbest bırakma düğmesine basın ve çekip çıkarın. [Şek. 7]
2. Toz haznesini bir çöp kovasına boşaltın. [Şek. 8]
3. Toz haznesinin iç yüzeyinden veya filtre yüzeyinden fazla tozu temizlemek için gerektiğinde temizlik fırçasını kullanın
4. Toz haznesini robota geri takın

FİLTRELERİN TEMİZLENMESİ

Robota bir ön motor filtresi takılmıştır. En iyi temizleme performansını korumak için filtre kapağını ve ön motor filtresini düzenli olarak temizleyin. Bunlar, toz haznesi 5 defa boşaltıldıktan sonra temizlenmeli ve yıkanmalıdır.

1. Süpürdükten sonra toz haznesini çıkarın, serbest bırakma düğmesine basın ve dışarı çekin. [Şek. 7]
2. Toz torbasını boşaltın. [Şek. 8] Toz haznesini açın, filtre örgüsünü filtreyle birlikte çıkarın, ardından EPA filtreyi filtre örgüsünden çıkarın ve ayrı olarak temizleyin. Montaj işlemi ters sırayla yapılmalıdır, filtrenin doğru monte edildiğinden emin olun. [Şek. 9,10]

ÖNEMLİ: Filtreleri düzenli olarak kontrol ediniz ve filtre bakım talimatlarını izleyerek bakım gerçekleştiriniz. Bu, maksimum temizleme performansını koruyacaktır.

Filtre örgüsü ve filtre hasar görmüşse, vakum motorunun hasar görmesini önlemek için derhal çıkarılmalı ve zamanında değiştirilmelidir.

KARIŞTIRICININ TEMİZLENMESİ

En yüksek temizleme performansına ulaşmak için, karıştırıcıyı düzenli olarak temizleyiniz.

1. Robotu KAPATIN ve ters çevirin.
2. Taban plakasındaki kliplere bastırın, döner fırça kapağını çıkarın. [Şek. 11]
3. Döner fırçayı bir ucundan tutarak yukarı kaldırın. [Şek. 12]
4. Döner fırçaya dolananları ve kılların üzerindeki kiri temizlemek için Temizlik Fırçasını kullanın. Bilyalı yatak üzerindeki lastik manşonu kaybetmeyin.
5. Temizledikten sonra, döner fırçayı ve döner fırça kapağını tekrar robota yerleştirin.

Dikkat: Toz Haznesindeki kirin yanlışlıkla dökülmesini önlemek için, tüm bakım görevleri Toz Haznesi çıkarıldıktan sonra yapılmalıdır.

KENAR FIRÇALARININ TEMİZLENMESİ

Kenar fırçaları kirlendiğinde temiz su ile temizleyin ve kullanmadan önce kurulayın; kenar fırçası hasar görmüşse ve normal çalışmıyorsa, lütfen değiştirin.

Dikkat!

Kenar temizlik fırçalarını değiştirirken, fırça üzerindeki "L" ve "R" işaretlerini robotun altındaki "L" ve "R" işaretleri ile eşleştirin.

HAREKET TEKERLEKLERİNİN TEMİZLENMESİ [Şek. 13]

1. Robotunuzu kapatınız ve ters çeviriniz.
2. Tekerleklere dolaşmış kirleri veya saçları gideriniz.
3. Kuru bir bezle tekerlekleri temizleyiniz.

DÜŞME ÖNLEYİCİ SENSÖR LENSLERİNİN TEMİZLENMESİ [Şek. 14]

Robotunuzun güvenli çalışmasını sağlamak için, Düşme önleyici sensörlerin temiz tutulması önemlidir. Robotun alt tarafında 3 sensör bulunur. Robotu baş aşağı çevirin ve toz, kir veya kalıntıları gidermek için kuru bezle bunları temizleyin.

BATARYA DEĞİŞİMİ [Şek. 15]

1. Robotun altındaki pil kapağından vidaları çıkarmak için bir tornavida kullanın;
2. Pil kapağını çıkarınız.
3. Konnektörü ayırın ve pili bölmeden çıkarın;
4. Yeni pili bölmeye koyun ve konnektöre tekrar bağlayın. Konnektörün ve tellerin doğru hizalandığına dikkat edin. Pil kapağını geri takın ve vidalarla kapatın.
5. Normal olup olmadığını kontrol etmek için gücü açın.

Dikkat!

Kirliliği önlemek için lütfen değiştirilen pilleri çevre dostu bir yöntemle geri dönüştürün.

ÖNEMLİ UYARI

Robotunuz için sadece onaylı yedek parçalar kullanın.

Hoover tarafından onaylanmamış parçaların kullanılması tehlikelidir ve garantinizi geçersiz kılar.

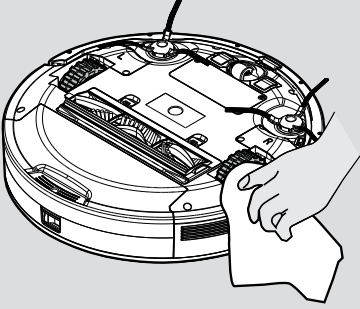
Robot birkaç ay kullanılmıyorsa, lütfen pilleri çıkarın ve serin ve kuru bir yerde saklayın.

ÖNEMLİ: Bakım öncesinde, her zaman cihazınızın kapalı olduğundan emin olun. Kaldırmak ve taşımak için daima iki elinizi kullanın ve robotun düz tutulduğundan emin olun. [Şek. 16]

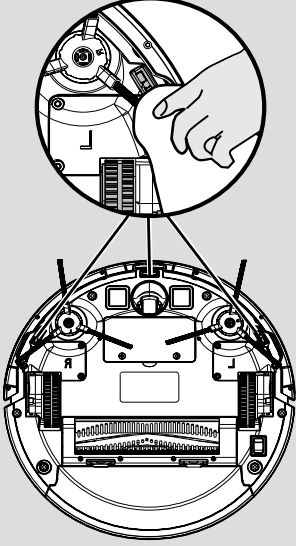
Robot süpürgeyi kaldırırken, yanlışlıkla açılmasını önlemek için toz haznesini tutmadığınızdan emin olun.

[Şek. 17]

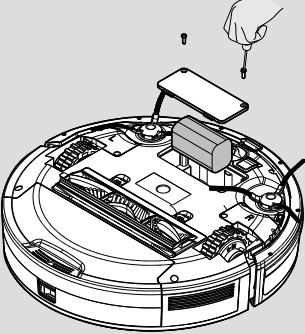
Robot süpürgeyi doğrudan güneş ışığında veya koyu cilalı zeminlerde kullanmaktan kaçınmalısınız çünkü bu koşullar robotunuzun davranışını ters etkiler.



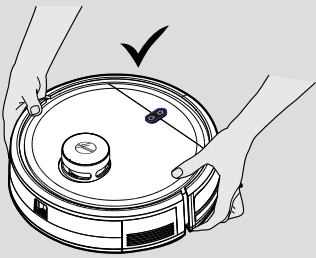
Şek. 13



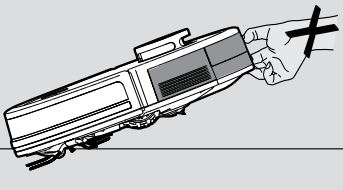
Şek. 14



Şek. 15



Şek. 16



Şek. 17

SORUN GİDERME

Robotunuzla herhangi bir sorun yaşamanız halinde, Hoover Müşteri Hizmetleri Merkezini aramadan önce aşağıdaki basit kontrol listesini izleyin.

• Robot açıldığında çalışmıyor

AÇIK/KAPALI ve Ev Düğmelerinin ışıklı göstergesi	İşlemler
Beyaz ve mavi yanıp sönüyor	Kenar temizlik fırçalarının temiz olduğunu ve doğru yerleştirildiğini kontrol edin
	Döner fırçanın temiz olduğunu ve doğru yerleştirildiğini kontrol edin
Beyaz yanıyor	Toz haznesinin doğru yerleştirilip yerleştirilmediğini kontrol edin
Beyaz ve açık mavi ışıklar yanıp sönüyor	Tahrik tekerleklerinin temiz ve çalışır durumda olduğunu kontrol edin
Mavi ve açık mavi ışıklar yanıp sönüyor	Düşme önleyici sensörlerin ve ön tamponun temiz ve çalışır durumda olduğunu kontrol edin
Beyaz yanıp sönüyor	Işıklı radar kulesinin çalışıp çalışmadığını kontrol edin

• Robot otomatik olarak şarj olmuyor

Robot ve şarj altlığı arasında hiçbir engel bulunmadığından ve önde 2 metre ve her tarafta 1 metre olmak üzere şarj altlığının etrafındaki alanda herhangi bir nesne bulunmadığından emin olun.

• Robot sıkışmış

Robot kendini kurtarmaya çalışacaktır ancak bazı durumlarda robota elle yardımcı olun.

• Robot temizlik sırasında çok gürültülü

Toz haznesini ve filtreyi temizleyin, döner fırçayı ve tahrik tekerleklerini temizleyin ve kontrol edin.

• Temizleme gücü zayıf

Toz haznesini ve filtreyi temizleyin, döner fırçayı ve tahrik tekerleklerini temizleyin ve kontrol edin.

ÖNEMLİ BİLGİLER

Hoover Yedek Parçaları ve Sarf Malzemeleri

Parçaları daima orijinal Hoover parçaları ile değiştirin. Bu parçaları Hoover servislerinden tedarik edebilirsiniz. Parça siparişi verirken mutlaka cihazın model numarasını belirtin.

Kalite

Hoover fabrikalarının kalitesi bağımsız olarak takdir almıştır. Ürünlerimiz, ISO 9001 gereksinimlerini içeren bir kalite sistemi kullanılarak üretilmektedir.

GARANTİNİZ

Bu cihaz için garanti koşulları, cihazın satıldığı ülkedeki temsilcimiz tarafından tanımlanmaktadır. Bu koşullara ilişkin ayrıntılar cihazın satın alındığı bayiden edinilebilmektedir. Bu garanti koşulları altında yapılan talepte satış fişi(faturası) ve makbuzu ibraz edilmiş olmalıdır.

Haber verilmeksizin değişiklikler yapılabilir.

BIZTONSÁGOS HASZNÁLAT

Ezt a készüléket kizárólag háztartási célra, a felhasználói útmutatóban leírtak szerint lehet használni. Kérjük, a készülék használata előtt bizonyosodjon meg róla, hogy az összes utasítást megértette-e.

Mindig kapcsolja ki és távolítsa el a töltőt az aljzatból a készülék tisztítása és a karbantartási műveletek előtt.

Ezen készüléket 8 éves, vagy annál idősebb gyermekek, valamint csökkent fizikai, érzékelési, vagy mentális képességekkel, továbbá tapasztalat nélküli személyek csak felügyelet mellett használhatják, továbbá ha a készülék használatára vonatkozó útmutatásokat megkapták, és biztonságosan tudják a készüléket használni, és megértették az azzal járó veszélyeket. Ne engedje, hogy gyermekek játszanak a készülékkel. A tisztítást és a karbantartást nem végezheti gyermek felügyelet nélkül.

Ha a tápvezeték megsérült, azonnal hagyja abba a készülék működtetését. A veszélyek elkerülése érdekében a tápkábelt egy Hoover szervizmérnökkel cseréltesse ki.

Ha a tisztítandó területen erkély vagy lépcső található, úgy fizikai akadályt kell alkalmazni az erkélyre vagy a lépcsőre jutás megakadályozására és a biztonságos működés biztosítására. A kisgyermekeket és háziállatokat a Robot takarítása alatt felügyelni kell!

A készüléket beltéren tárolja! Ne használja a szabadban, és ne tegye ki a készüléket időjárási hatásoknak, nedvességnek vagy hőforrásoknak (sütő, kandalló, nedves padló)!

Ne tegye ki a Robotot vagy annak tartozékait túlzott hőnek/hidegnek (tartsa 0-30°C között)!

Ne ejtse le a robotot, és ne használjon semmilyen tartozékot, ha az leesett, megsérült, a szabadban maradt vagy vízbe esett!

Soha ne húzza ki a dugaljából vagy húzza ki a hálózati adaptert a tápkábelnél fogva!

Ne használja lépcső tisztítására!

Akkumulátor töltése

Kizárólag a készülékhez adott eredeti töltőt használja.

Ellenőrizze, hogy a tápfeszültség megegyezik-e a töltőn feltüntetettel.

Soha ne töltsen az akkumulátorokat 30°C feletti vagy 0°C alatti hőmérsékleten!

Csatlakoztassa a készülékhez mellékelt töltőt egy megfelelő aljzatba.

Az akkumulátorcellákból származó szivárgások szélsőséges használat vagy hőmérsékleti körülmények között fordulhatnak elő. Ha a folyadék bőrre kerül, gyorsan mossa le vízzel! Ha a folyadék a szembe kerül, azonnal öblögesse tiszta vízzel legalább 10 percig! Kérjen orvosi segítséget!

Töltés közben a töltő felmelegedhet, ez teljesen normális.

Csak a HOOVER által javasolt tartozékokat, fogyóeszközöket és pótalkatrészeket használja.

Ne szívjon fel kemény vagy éles tárgyakat, gyufát, forró hamut, cigarettacsikket vagy hasonló tárgyakat.

A készüléket **ne** fújja be vagy szívjon fel vele gyúlékony folyadékokat, tisztítófolyadékokat, aeroszolokat vagy ezek gőzeit.

Ha a készülék hibásnak tűnik, akkor **ne** használja tovább a készüléket.

Hoover szerviz: A készülék biztonságos és hatékony működésének fenntartása érdekében azt javasoljuk, hogy a szervizelési és karbantartási munkálatokat kizárólag a Hoover szervizmérnökkel végeztesse el.

A készüléket **ne** használja állatok vagy személyek tisztítására.

Ne cserélje a Robot akkumulátorait nem újratölthető akkumulátorra!

Ha a Robotot hosszabb ideig (néhány hétig) nem használja, húzza ki a hálózati adaptert!

Az akkumulátor eltávolítása a készülék élettartama végén

A készülék leselejtezése előtt távolítsa el az akkumulátort. A készüléket az akkumulátor eltávolítása esetén le kell csatlakoztatni az elektromos hálózatról. Biztonságos módon selejtezze le az akkumulátorokat. Járassa a készüléket, amíg az akkumulátorok teljesen lemerülnek. A használt akkumulátorokat el kell vinni az újrahasznosító telepre, és nem dobhatóak ki a háztartási hulladékkal együtt. Az akkumulátorok eltávolításával kapcsolatban vegye fel a kapcsolatot a Hoover ügyfélszolgálatával, vagy járjon el az alábbi utasításoknak megfelelően.

Húzza ki a töltőt és kapcsolja ki a Robotot. Fordítsa fejjel lefelé a Robotot és helyezze vízszintes felületre. Távolítsa el a csavarokat és az akkumulátor tartó fedelét. Távolítsa el az akkumulátor egységet.

MEGJEGYZÉS: Amennyiben bármilyen nehézsége támad az egység szétszerelését illetően, vagy további részletes információra van szüksége ezen termék leselejtezésével kapcsolatban, lépjen kapcsolatba a helyi önkormányzattal vagy a háztartási hulladék elszállítókkal.

FONTOS MEGJEGYZÉSEK HASZNÁLAT ELŐTT

Kérjük, olvassa el figyelmesen a következő információkat, mielőtt a Robotot vagy tartozékait használja!

Ne szerelje szét a készüléket és ne kísérelje meg saját maga megjavítani! Ha hiba lép fel, kérjük, forduljon a Hoover vevőszolgálatához szakmai tanácsért!

Lépcsők A Robot érzékelőket használ, hogy elkerülje a fellépőkről, lépcsőről vagy a szélekről való leesést. Bizonyos helyzetekben az érzékelők összezavarodhatnak.

A Robot nem érzékeli a 8 cm-nél kisebb lépcsőfokokat. A 8 cm-nél kisebb lépcsőfokok a Robot leesését okozhatják. Ha elérhető, állítson be No-go területeket vagy virtuális falakat az alkalmazások keresztül, ezzel védve a robotot az eséstől.

A lépcsőknél használt, erősen fényvisszaverő vagy nagyon sötét felületek, mint például az üveg vagy a csiszolt kerámia, a Robot lezuhanását okozhatják! Ha elérhető, állítson be No-go területeket vagy virtuális falakat az alkalmazások keresztül, vagy tegyen szőnyeget az alsó lépcsőre, ezzel védve a robotot az eséstől.

Kerülje a Robot magassíródszinten, lépcsőn vagy szegély nélküli magasított területeken való használatát. Ha elérhető, állítson be No-go területeket vagy virtuális falakat az alkalmazások keresztül, ezzel megelőzve, hogy a robot bementjen a kijelölt területekre.

Akkumulátor használata Robotját újratölthető, nagy kapacitású lítium-ion akkumulátorok táplálják. Ezekre az újratölthető akkumulátorokra 6 hónap garanciát vállalunk, ha azokat a jelen használati útmutató szerint tartja karban és használja.

A Robot teljesítményének jelentős csökkenése esetén a csereakkumulátorok a Hoover-kiskereskedőtől szerezhetőek be.

Csak a Hoover által jóváhagyott cserealkatrészeket használjon a robotjához! A Hoover által nem jóváhagyott alkatrészek használata veszélyes, és érvényteleníti a garanciát.

Robotja újratöltéséhez csak a mellékelt töltőállomást és hálózati adaptert használja! A nem megfelelő töltőállomás vagy hálózati adapter használata veszélyes, és érvényteleníti a garanciát.

Frekvenciasávok	2412 MHz to 2472 MHz
Maximális RF teljesítmény a frekvenciasávban	802.11 b: +15.95 dBm 802.11 g: +14.91 dBm 802.11 n20: +13.78 dBm

Környezetvédelem

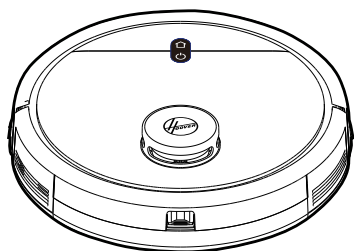
A terméken lévő szimbólum azt jelzi, hogy a készülék nem kezelhető háztartási hulladékként. A készüléket egy elektromos és elektronikus berendezések gyűjtésére szakosodott helyen kell leadni. A leselejtezést a helyi környezetvédelmi előírásoknak megfelelően kell végrehajtani. A kezeléssel és újrahasznosításával kapcsolatos részletesebb információkért vegye fel a kapcsolatot a helyi önkormányzattal, hulladékkezelő társaságával, vagy az üzlettel, ahol a készüléket vásárolta.



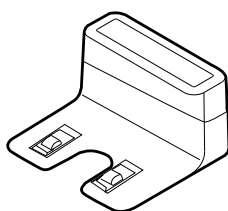
CE A készülék megfelel a 2014/53/EU és 2011/65/EU irányelveknek. Ha a megfelelőségi nyilatkozat másolatát szeretné megkapni, kérjük, lépjen kapcsolatba a gyártóval a www.candy-group.com weboldalon keresztül!

CANDY HOOVER GROUP Srl Via Privata Eden Fumagalli, 20861 Brugherio (MB) Italy

A DOBOZ TARTALMA



Takarító robot



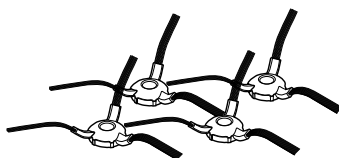
Töltőállomás



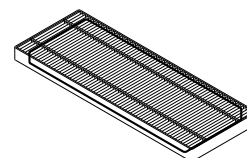
Használati kézikönyv



Hálózati adapter



4X szegélytisztító kefe

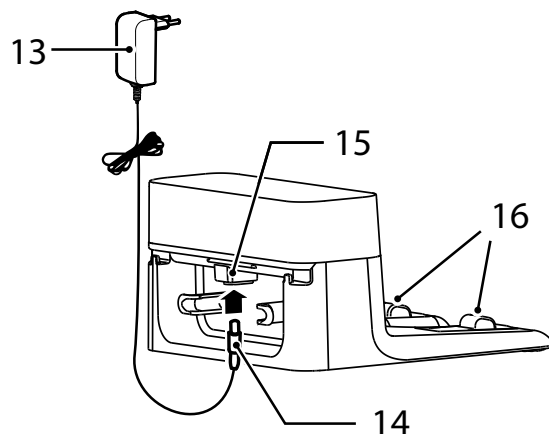
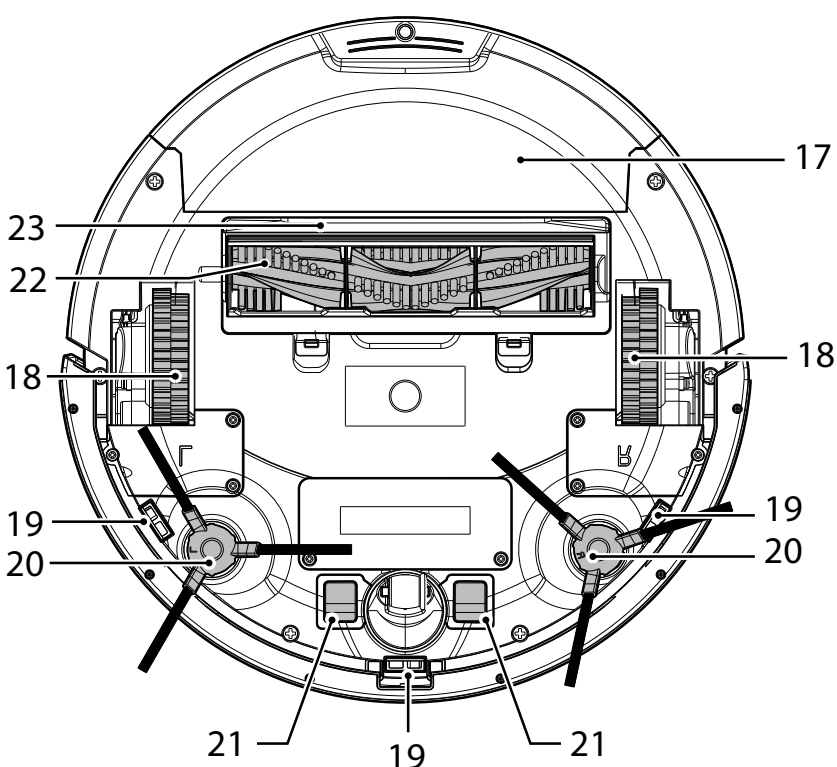
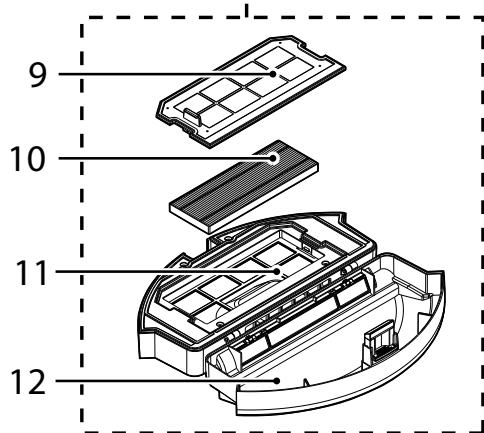
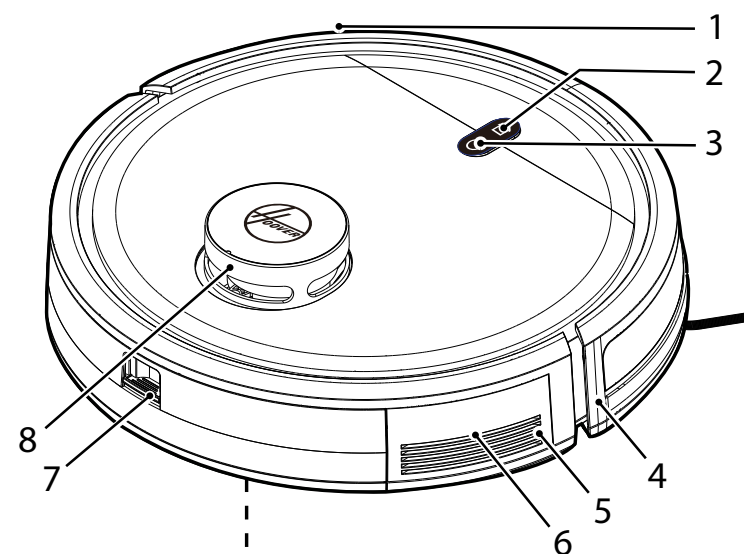


Extra szűrő a robothoz



Tisztítókefe

A ROBOTPORSZÍVÓ BEMUTATÁSA



1	Elülső ütköző
2	OTTHON (Töltőállomás) gomb
3	BE/KI üzemmód gomb
4	Elülső jelvevő
5	Hangszóró
6	Újraindítás gomb (piros gomb)
7	Portartály kivéő gomb
8	Lézer alapú távérzékelő (Lidar) torony
9	Szűrőhálo
10	EPA szűrő
11	Portartály felső borítója
12	Portartály alsó borítója

13	Hálózati adapter
14	Tápegység csatlakozó
15	DC jack, töltőállomás
16	Töltő érintkezők

17	Portartály
18	Hajtókerék
19	Leesés elleni érzékelő
20	Szegélytisztító kefe
21	Robot töltő érintkező
22	Agitátor
23	Keverőgép felső borítója

KÉSZÍTSE ELŐ ROBOTPORSZÍVÓJÁT

CSOMAGOLÁS

Ne dobja ki a Robot csomagolását! Előfordulhat, hogy a jövőben szükségessé válik a garancia érvényességéhez.

Robotja és tartozékai kicsomagolásakor ügyeljen arra, hogy a zacskókat tartsa távol kisbabáktól, kisgyermekektől és állatoktól, hogy elkerülje a fulladásveszélyt.

Az első használat előtt töltsa a készüléket 4-6 órán keresztül. **[1 ábra]**

Ne tegye ki a hálózati adaptert 0°C alatti vagy 30°C feletti hőmérsékletnek, mert ez károsíthatja az akkumulátort!

A hálózati adaptert csak szabványos hálózati aljzathoz szabad csatlakoztatni!

AKKUMULÁTOR

Az optimális akkumulátorteljesítmény érdekében ajánlatos a robot akkumulátorait teljesen feltöltve tartani.

Amikor a robot nincs használatban, hagyja csatlakoztatva a töltőállomáshoz. A robot intelligens töltőrendszerrel rendelkezik, Ez megakadályozza az akkumulátor túltöltődését.

A balesetek elkerülése érdekében ügyeljen arra, hogy a helyiségben tartózkodó minden személy tisztában legyen a robot jelenlétével.

KÉSZÍTSE FEL OTTHONÁT

Használat előtt távolítsa el az akadályokat, amelyek a robot útjába kerülhetnek. Ügyeljen az alábbiakra:

- könnyen feldönthető tárgyak,
- szőnyegek vagy szőnyegek szélei, amelyekbe beleakadhat,
- padlógépek, függönyök és terítők,
- hőforrások vagy gyúlékony tárgyak,
- tápkábelek és kábelek,
- törékeny tárgyak.

TÖLTŐÁLLOMÁS BEÁLLÍTÁSA

1. Csatlakoztassa a hálózati adaptert, és csatlakoztassa a töltőállomáshoz. **[2 ábra]**
2. Győződjön meg arról, hogy a tápkábel nem szorult be a töltőállomás alá.
3. Helyezze a töltőállomást nem tükröződő vízszintes padlóra, lehetőleg falhoz támasztva. Ha a padló felülete túlságosan tükröződik, az zavarja a Robot navigációs rendszerét és nehézségekbe ütközhet a töltőállomás megtalálása közben.
4. Ne legyenek tárgyak 2 méterrel a töltőállomás előtt és 1 méterre az oldalaitól. **[2 ábra]**
5. Győződjön meg arról, hogy a tápkábel nincs összegabalyodva vagy megfeszülve! A felesleges kábel összefogásához használja a kábelkötőt!
6. Ellenőrizze, hogy a portartály megfelelően be van helyezve a robotba
7. Kattanásig nyomja a tartóba a két szegélytisztítót. Ügyeljen a készüléken lévő L (bal) és R (jobb) jelölésekre, valamint a kefékre. **[3 ábra]**
8. Távolítsa el a szivacsokat a robottisztítóból. A kezdéshez vezesse be robotját a töltőállomásra. Normál használat során körülbelül 4/5 órát vesz igénybe a teljes újratöltés.

AZ AKKUMULÁTOR TÖLTÉSE [4 ábra]

Nyomja le a robot BE/KI gombját hosszan, 3-5 másodpercig a robot bekapcsolásához, majd tegye le a töltőállomással szemben.

Nyomja meg a roboton az Otthon (Töltőállomás) gombot, győződjön meg arról, hogy a töltőállomás felé indul.

Az optimális akkumulátorteljesítmény érdekében ajánlatos a robot akkumulátorát teljesen feltöltve tartani.

A BE/KI és az Otthon (Töltőállomás) gombok fehéren villóznak az akkumulátor töltése közben.

Ha a fények nem égnek, az akkumulátor teljesen fel van töltve

Automatikus töltés

Ha a robot akkumulátor kapacitása alacsony a tisztítási folyamat közben, a robottisztító abbahagyja a tisztítást és elkezd keresni a töltőállomást, hogy feltöltse magát.

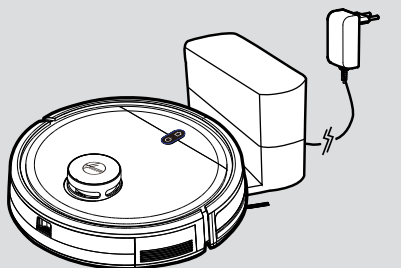
Miután a robottisztító befejezte a tisztítófolyamatot, automatikusan újratöltés üzemmódba kapcsol és elkezd keresni a töltőállomást, hogy feltöltse magát.

MEGJEGYZÉS: Győződjön meg arról, hogy a robot és a töltőállomás töltő érintkezői nem szennyezettek. Ha szükséges, tisztítsa meg a töltő érintkezőket.

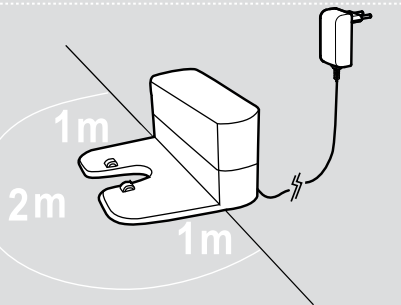
Ha túl alacsony a robot töltöttsége és emiatt nem lehet bekapcsolni, kézikézül vigye a robotot a töltőállomáshoz és tegye fel tölteni. A töltő érintkezőit ki kell egyenesíteni és a tisztítókefe nem szorulhat az érintkezők közé.

Akkumulátor

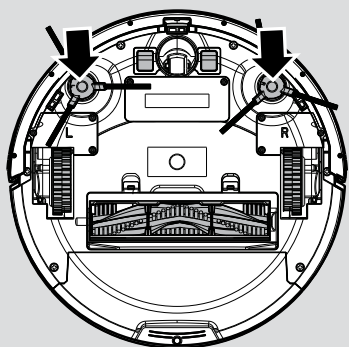
Idővel a robot akkumulátorának kapacitása csökkenni fog, és ki kell cserélni. Csereakkumulátort egy jóváhagyott Hoover kereskedőtől vásárolhat. Csak eredeti Hoover alkatrészeket és tartozékokat használjon.



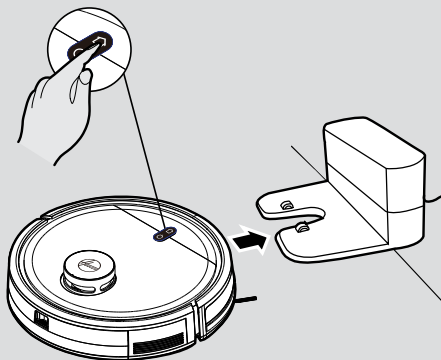
1 ábra



2 ábra



3 ábra



4 ábra

A ROBOTPORSZÍVÓ HASZNÁLATA

• Otthon (Töltőállomás) gomb

Rövid gombnyomás: Újratöltés

Hosszú gombnyomás: Alkalmazáshoz csatlakoztatva

Jelzőlámpa:

Fehér villódzó fény: tölt

Fehér, gyorsan villódzó fény: Alkalmazáshoz csatlakoztatva

• BE/KI üzemmód gomb

Hosszú gombnyomás: bekapcsolás (ha a robot ki van kapcsolva)

Hosszú gombnyomás: kikapcsolás (ha a robot be van kapcsolva)

Rövid gombnyomás: indítás/megállítás (ha a robot alvó üzemmódban van)

Jelzőlámpa:

Kék villódzó fény: készenléti üzemmód

Kék, folyamatos fény: dolgozó üzemmód

Kék fény ki: alvó üzemmód

1. A robot működési folyamata: alvó üzemmód > készenléti üzemmód > dolgozó üzemmód

A. Alvó üzemmód A robot automatikusan alvó üzemmódba lép, ha készenléti üzemmódban, használaton kívül van 3 percig. Amikor a robot alvó üzemmódban van, a gombok fényei nem világítanak és a robot mozdulatlan.

B. Készenléti üzemmód: Amikor a robot készenléti üzemmódban van, a gomb kéken villódzik és a robot mozdulatlan.

C. Dolgozó üzemmód: Amikor a robot dolgozó üzemmódban van, a gomb kéken világít és a robot a takarítás folyamatában van.

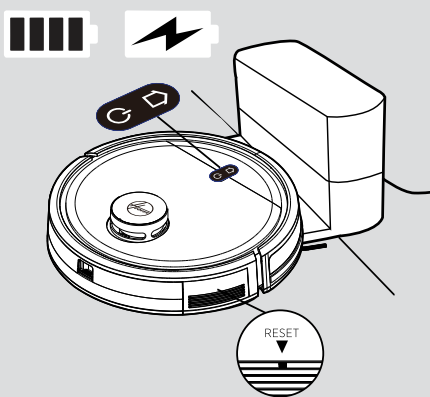
2. Megállítás

A megállítás dolgozó üzemmódból készenléti üzemmódba kapcsolja át a robotot. Ez a roboton „be/ki” gomb lenyomásával vagy a mobilalkalmazáson keresztül kivitelezhető.

Figyelem! [5 ábra]

Ha a robot alvó üzemmódban van, nyomja meg a roboton a „BE/KI” gombot kétszer a tisztítás megkezdéséhez.

Ha a robot hosszabb ideig használaton kívül van, hosszan nyomja meg a „BE/KI” gombot a robot kikapcsolásához. Amikor a robot ütközést érzékel, kérjük 2-3 másodpercig nyomja le az Újraindítás gombot a szarvon egy rövidebb mint 2 mm hosszú tüvel, ezzel erőltetve a kikapcsolást.



5 ábra

ALKALMAZÁS LETÖLTÉSE ÉS CSATLAKOZÁS WIFIN KERESZTÜL [6 ábra]

Ahhoz, hogy a robot összes funkcióját bárhol elérhesse, javasoljuk, hogy töltsse le a Hoover HG5 alkalmazást. Így tudja majd a robotot a leghatékonyabban vezérelni.

1. Töltsse le a „HG5” alkalmazást az Apple Store-ból, a Google Play vagy az App Gallery áruházból.

2. Nyissa meg az appot, hozzon létre egy felhasználói fiókot az e-mail címe és egy jelszó megadásával. Erősítse meg a bejelentkezést.

3. Győződjön meg arról, hogy mobilja csatlakoztatva van a WiFihez.

4. Kattintson az applikációban az „eszköz hozzáadásra”, kövesse az utasításokat a párosítás teljesítéséhez.

FIGYELEM

A WiFi név nem lehet hosszabb 32 karakternél.

Kövesse az alábbi lépéseket, ha a csatlakozás sikertelen:

- Győződjön meg róla, hogy helyesen írta be a WiFi jelszót.
- Győződjön meg róla hogy a WiFi hálózat beállítása 2,4GHz
- Győződjön meg róla, hogy nincs túl messze a robot a routertől.

A HG5 APPLIKÁCIÓVAL

A robot sikeres párosítása után létre tud hozni egy térképet az otthonáról. Ezáltal tud hozzáférni a teljesen személyreszabható beállításokhoz és takarítási ütemtervekhez.

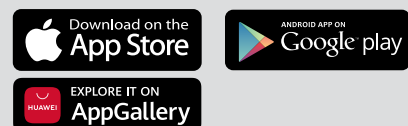
A térképoldal megnyitásához kattintson a robot ikonra. Ne feledje eltávolítani a földön lévő akadályokat (kábelek, zoknik, cipők) a robot bekacsolása előtt.

Kattintson a BEKAPCSOLÁS gombra, hogy a robot elkezdje feltérképezni a lakását. A kezdőlapon tudja követni a térkép elkészülését. Amint a robot befejezte az egész lakás feltérképezését, meg fog jelenni a kész térkép a telefonján. Mindegyik szobát el tudja nevezni, személyre tudja szabni és be tud állítani különböző takarítási ütemterveket (szívóerő szintje, felmosás szintje, takarítás gyakorisága stb.).

- Takarítási idő: a legutóbb takarítófolyamat hosszát jelzi

- Takarított terület: a legutóbbi takarítófolyamat alatt megtisztított négyzetméterek számát jelzi

- Akkumulátor: az akkumulátor pillanatnyi szintje



6 ábra

• BEKAPCSOLÁS (⏻)

A robot a pillanatnyi beállítások alapján megkezdi a takarítást.

• VISSZA A TÖLTŐRE (🔌)

A robot visszamegy a töltőállomáshoz.

* Az összes többi ikon csak a Bekapcsolás ikon rákattintása után lesz újból elérhető.

• MENJEN ODA (📍)

A térképen egy adott hely kiválasztása után a robot odamegy és megkezdi a takarítófolyamatot a pillanatnyi beállítások alapján.

• SZOBA VÁLASZTÁSA (🏠)

A térképen egy adott szoba kiválasztása után a robot odamegy és megkezdi a takarítófolyamatot a pillanatnyi, adott szobára vonatkozó beállítások alapján.

• TERÜLET VÁLASZTÁSA (📏)

A térképen egy adott terület kiválasztása után a robot odamegy és megkezdi a takarítófolyamatot a pillanatnyi beállítások alapján.

• NO-GO TERÜLETEK (🚫)

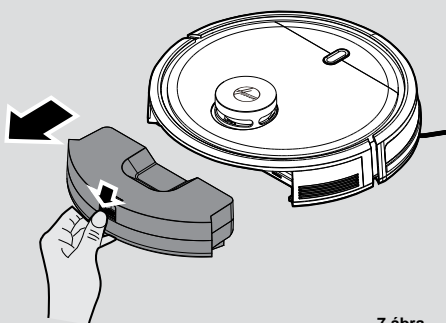
Határozzon meg egy olyan területet, ahova a robot nem mehet. A no-go területek a felmosásra, a porszívózásra vagy mindkettőre vonatkozhatnak.

• SZEMÉLYRESZABÁS (👤)

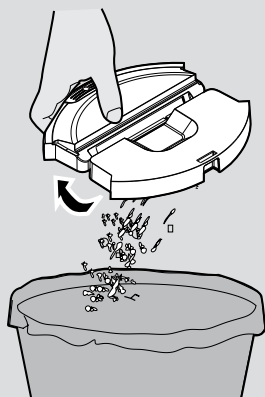
Szabja személyre a szobákat a térképen. Lehetősége van a különböző szobák összenyitására vagy szétválasztására, a térkép újbóli felrajzolására, a szobák átnevezésére, különböző szobákra vonatkozó takarítási ütemterv létrehozására, a szobák sorrendjének beállítására.

• BEÁLLÍTÁSOK (...)

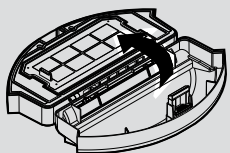
Teljes lista a robot beállításairól



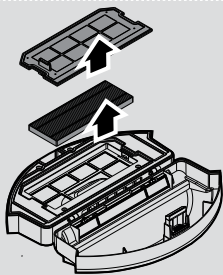
7 ábra



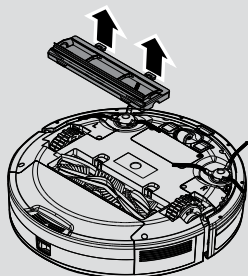
8 ábra



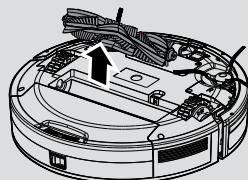
9 ábra



10 ábra



11 ábra



12 ábra

A ROBOTPORSZÍVÓ HASZNÁLATA

A PORTARTÁLY ÜRÍTÉSE

Győződjön meg arról, hogy a robot ki van kapcsolva, mielőtt karbantartási munkálatokhoz kezdene.

1. Kapcsolja ki a robotot, és vegye ki a töltőállomásról.
2. Használjon száraz anyagdarabot a felületek tisztításához. NE hagyja, hogy a termék bármelyik rész vizes legyen a tisztítás alatt.

Porszívózás után vegye ki a portartályt.

1. Nyomja meg a kiold gombot és húzza ki a tartályt. [7 ábra]
2. Ürítse ki a portartályt egy szemetes fölé. [8 ábra]
3. Ha szükséges, használja a tisztítókefét, hogy eltávolítsa a felesleges port a portartály belső felületéről vagy a szűrő felületéről.
4. Helyezze vissza a porszűrőt a robotba.

SZŰRŐK TISZTÍTÁSA

A robot egy előmotor szűrővel rendelkezik. Az optimális tisztítási hatások fenntartásához rendszeresen tisztítsa meg a szűrőfedeleket és a motor előtti szűrőt. A portartály minden ötödik ürítése után ki kell tisztítani, de nem szabad kimosni.

1. A porszívózás után távolítsa el a portartályt, nyomja meg a kiold gombot és húzza ki a tartályt.

[7 ábra]

2. Ürítse ki a portartályt. [8 ábra] Nyissa ki a portartályt, távolítsa el a szűrőhálót a szűrővel együtt, majd szedje ki a EPA szűrőt a szűrőhálóból és külön tisztítsa meg. Összeszerelését fordított sorrendben végezze, győződjön meg a szűrő megfelelő összeszereléséről. [9, 10 ábra]

FONTOS: Ellenőrizze és tartsa karban rendszeresen a szűrőket, a szűrőre vonatkozó karbantartási útmutatásokat követve. Így tudja megőrizni a maximális tisztítási teljesítményt.

Ha a szűrőháló és a szűrő megkárosodott, azonnal el kell távolítani és le kell cserélni a porszívómotor károsodásának megelőzése érdekében.

A FORGÓKEFE TISZTÍTÁSA

A maximális tisztítási teljesítmény megőrzése érdekében rendszeresen tisztítsa meg a forgókefét.

1. Kapcsolja KI a robotot és fordítsa fejjel lefelé.
2. Nyomja meg a kapcsokat a talplemezen, majd távolítsa el a keverőt. [11 ábra]
3. Az egyik végénél megfogva emelje fel a keverőt. [12 ábra]
4. A tisztítókefe használatával távolítson el minden szennyeződést a keverő és a szálak környékéről. Ne veszítse el a golyóscsapágyon található gumiköpenyt.
5. A tisztítás után tegye vissza a robotba a keverőt és a keverő fedelét.

Figyelem: A karbantartási munkálatok előtt ki kell venni a portartályt, hogy elkerülje a portartályban található kosz véletlen kiborulását.

SZEGÉLYTISZTÍTÓ KEFÉK TISZTÍTÁSA

Ha a szegélytisztítók koszosak, tiszta vízzel takarítsa le majd szárítsa meg a használat előtt, ha a szegélytisztító károsodott és nem működik, kérjük cserélje le.

Figyelem!

Amikor lecseréli a szegélytisztítókat, ügyeljen a keféket és a robot alján található „L” és „R” jelzések egyezésére.

KEREKEK TISZTÍTÁSA [13 ábra]

1. Kapcsolja ki a robotot és fordítsa fejjel lefelé.
2. Távolítsa el minden szennyeződést vagy hajat, amely a kerekbe szorult.
3. Tisztítsa meg a kerekeket száraz ruhával.

A LEESÉSGÁTLÓ ÉRZÉKELŐK TISZTÍTÁSA [14 ábra]

A robot biztonságos működésének fenntartásához fontos, hogy a leesésgátló érzékelőket tisztán tartsa. A robot alján 3 érzékelő található. Fordítsa fejjel lefelé a robotot, és egy száraz anyagdarabbal tisztítsa meg a felgyülemlett portól, szennyeződéstől vagy törmeléktől.

AKKUMULÁTORCSERE [15 ábra]

1. Csavarhúzóval szedje ki az akkumulátor fedelét a robot aljához rögzítő csavarokat;
2. Távolítsa el az akkumulátor fedelét.
3. Húzza ki a csatlakozót és vegye ki az akkumulátort a rekeszből;
4. Helyezze be az új akkumulátort a rekeszbe és dugja vissza a csatlakozót. Ügyeljen a csatlakozó és a kábelek helyes beállítására. Helyezze vissza az akkumulátorfedelét és a csavarokat.
5. Kapcsolja be és ellenőrizze, hogy normálisan működik.

Figyelem!

Kérjük a szennyezés elkerülésének érdekében a lecserélt akkumulátort környezettudatosan ártalmatlanítsa.

FONTOS MEGJEGYZÉS

A robothoz kizárólag jóváhagyott pótalkatrészeket használjon.

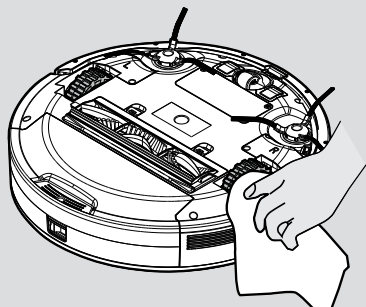
A Hoover által nem jóváhagyott alkatrészek használata veszélyes lehet és garanciavesztéssel jár.

Ha a robotot több hónapig nem használja, vegye ki az akkumulátorokat, és tárolja hűvös, száraz helyen.

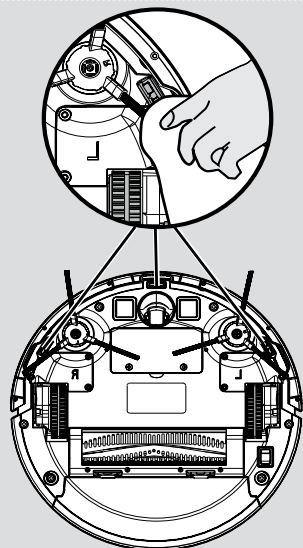
FONTOS: Karbantartás előtt mindig győződjön meg arról, hogy a készülék ki van kapcsolva. A készülék emelését és szállítását mindig két kézzel végezze és győződjön meg róla, hogy a robotot vízszintesen tartja! [16 ábra]

A robottisztító felemelésekor ügyeljen arra, hogy ne fogja meg a portartályt, hogy elkerülje a véletlen kinyitást. [17 ábra]

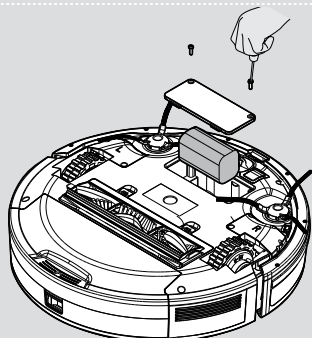
Kerülje a robottisztító közvetlen napfényben vagy sötét polírozott felületeken való használatát, mivel ezek a körülmények hátrányosan befolyásolják robotja viselkedését.



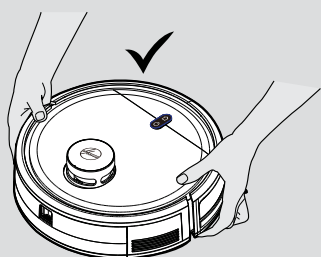
13 ábra



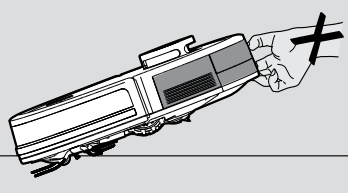
14 ábra



15 ábra



16 ábra



17 ábra

HIBAELHÁRÍTÁS

Ha bármilyen gondja van a robottal, kövesse ezt az egyszerű ellenőrző listát, mielőtt felhívja a Hoover ügyfélszolgálatát:

• Nem működik a robot, amikor be van kapcsolva

KI/BE és Otthon gombok jelzőlámpája	Tevékenységek
Fehér és kék villogás	Ellenőrizze, hogy a szegélytisztítók tiszták és megfelelően vannak elhelyezve
	Ellenőrizze, hogy a keverő tiszta és megfelelően van elhelyezve
Fehér világít	Ellenőrizze, hogy a portartály megfelelően van elhelyezve
Fehér és világoskék villogás	Ellenőrizze, hogy a kerekek tiszták és működőképese
Kék és világoskék villogás	Ellenőrizze, hogy az esésgátló érzékelők és az elülső ütköző tiszta és működőképes
Fehér villogás	Ellenőrizze a Lidar torony működőképességét

• A robot nem töltődik automatikusan

Bizonyosodjon meg arról, hogy nincsen akadály a robot és a töltőállomás között, és ne legyenek tárgyak 2 méterrel a töltőállomás előtt és 1 méterre az oldalaitól.

• A Robot belekadt valamibe.

A robot megpróbálja kiszabadítani magát, de előfordulhat, hogy kézi segítséget igényel.

• A robot takarítás közben nagyon hangos

Tisztítsa meg a portartályt és a szűrőt, ellenőrizze és tisztítsa meg a keverőt és a kerekeket.

• A tisztítási erő gyenge

Tisztítsa meg a portartályt és a szűrőt, ellenőrizze és tisztítsa meg a keverőt és a kerekeket.

FONTOS INFORMÁCIÓ

Hoover pótalkatrészek és fogyóeszközök

Az alkatrészeket minden esetben eredeti Hoover pótalkatrészekkel cserélje ki. Ezeket a helyi Hoover kereskedőtől vagy közvetlenül a Hoover szerviztől vásárolhatja meg. Az alkatrészek rendelésekor mindig adja meg a készülék modellszámát.

Minőség

A Hoover gyáraiban független minőségbiztosítás történik. A termékeket olyan minőségi rendszerek segítségével gyártjuk, melyek megfelelnek az ISO 9001 által támasztott összes követelménynek.

Garancia

A garanciális feltételeket a termék értékesítési országában lévő képviselőnk határozza meg: www.candy.hu Ezzel kapcsolatos információkat attól a kereskedőtől kérhet, ahol a terméket megvásárolta, vagy vegye fel a kapcsolatot a helyi képviselőnkkel. A garanciális igények érvényesítéséhez a termék vásárlását igazoló blokk vagy számla bemutatására van szükség.

A változtatás jogát előzetes bejelentés nélkül fenntartjuk.



EC 2019/1782

	Manufacturer Name	Dongguan Sunun Power Co., Ltd.
	Manufacturer Address	No.16, Minan Road, Dabandi Industrial Park, Daning Community, Humen Town, Dongguan, China
	Model	SA12BH-190060V
	Input Voltage	100-240 V-
	Input AC Frequency	50/60 Hz
	Output Voltage	19.0 V DC
	Output Current	0.6 A
	Output Power	11.4 W
	Average Active Efficiency	82.7 %
	Efficiency at load 10%	70.0%
No-Load Power Consumption	0.10 W	