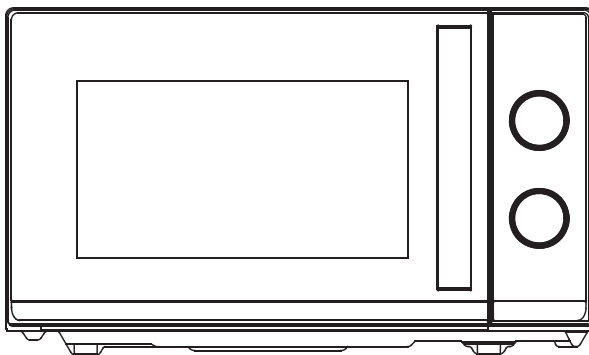


# Microwave Oven Instructions



Model: CMW20TNMB

Please read these instructions carefully before installing and operating the oven.

<b>Haier Europe</b> CANYO Haier	<b>PT</b> 707 200 188 210 010 773	<b>IT</b> 02 400 48 200	<b>ES</b> 902 100 150 943 914 150	<b>DE</b> 0800 500 48 48
<b>BE</b> <b>LU</b>	<b>NL</b>	<b>AT</b>	<b>GR</b>	<b>CH</b>
02 752 94 10	33 422 4000	0820 220 224	801 11 50 50 50	0848 780 780

70017948

# CONTENT

SPECIFICATIONS.....	2
PRECAUTIONS TO AVOID POSSIBLE EXPOSURE TO EXCESSIVE MICROWAVE ENERGY.....	2
IMPORTANT SAFETY INSTRUCTIONS.....	3
INSTALLATION GUIDE.....	5
RADIO INTERFERENCE.....	6
MICROWAVE COOKING PRINCIPLES.....	6
GROUNDING INSTRUCTIONS.....	7
BEFORE YOU CALL FOR SERVICE.....	7
UTENSILS GUIDE.....	8
PART NAMES.....	9
CONTROL PANEL.....	10
Power/Action Selector.....	10
Timer Knob.....	10
Microwave Cooking.....	10
OPERATION.....	11
CLEANING AND CARE.....	11

# SPECIFICATIONS

Power Consumption:	230-240V/50Hz, 1200W (Microwave)
Rated microwave power output:	700W
Operation Frequency:	2450MHz
Outside Dimensions:	262mm(H)×452mm(W)×346mm(D)
Oven Cavity Dimensions:	198mm(H)×315mm(W)×297mm(D)
Oven Capacity:	Compact 20Litres
Net Weight:	Approx.10.8kg

## PRECAUTIONS TO AVOID POSSIBLE EXPOSURE TO EXCESSIVE MICROWAVE ENERGY

1. Do not attempt to operate this oven with the door open since open door operation can result in harmful exposure to microwave energy. It is important not to defeat or tamper with the safety interlocks.
2. Do not place any object between the oven front face and the door or allow soil or cleaner residue to accumulate on sealing surfaces.
3. Do not operate the oven if it is damaged. It is particularly important that the oven door close properly and that there is no damage to the
  - a. Door (bent),
  - b. Hinges and latches (broken or loosened),
  - c. Door seals and sealing surfaces.
4. The oven should not be adjusted or repaired by anyone except properly qualified service personnel.

# IMPORTANT SAFETY INSTRUCTIONS

When using electrical appliance basic safety precautions should be followed, including the following:

**WARNING!**--To reduce the risk of burns, electric shock, fire, injury to persons or exposure to excessive microwave energy:

1. Use this appliance only for its intended use as described in the manual. Do not use corrosive chemicals or vapors in this appliance. This type of oven is specifically designed to heat, cook or dry food. It is not designed for industrial or laboratory use.
2. Do not operate the oven when empty.
3. Do not operate this appliance if it has a damaged cord or plug, if it is not working properly, or if it has been damaged or dropped. If the supply cord is damaged, it must be replaced by the manufacturer or its service agent or a similarly qualified person in order to avoid a hazard.
4. **WARNING!**--Only allow children to use the oven without supervision when adequate instructions have been given so that the child is able to use the oven in a safe way and understands the hazards of improper use.
5. To reduce the risk of fire in the oven cavity:
  - When heating food in plastic or paper container, keep an eye on the oven due to the possibility of ignition.
  - Remove wire twist-ties from paper or plastic bags before placing bag in oven.
  - If smoke is observed, switch off or unplug the appliance and keep the door closed in order to stifle any flames.
  - Do not use the cavity for storage purposes. Do not leave paper products, cooking utensils, or food in the cavity when not in use.
  - The microwave oven is intended for heating food and beverages. Drying of food or clothing and heating of warming pads, slippers, sponges, damp cloth and similar may lead to risk of injury, ignition or fire.
6. **WARNING!**--Liquid or other food must not be heated in sealed containers since they are liable to explode.
7. Microwave heating of beverages can result in delayed eruptive boiling, therefore care has to be taken when handle the container.
8. Do not fry food in the oven. Hot oil can damage oven parts and utensils and even result in skin burns.

9. Eggs in their shell and whole hard-boiled eggs should not be heated in microwave ovens since they may explode even after microwave heating has ended.
10. Pierce foods with heavy skins such as potatoes, whole squashes, apples and chestnuts before cooking.
11. The contents of feeding bottles and baby food jars should be stirred or shaken and the temperature should be checked before serving in order to avoid burns.
12. Cooking utensils may become hot because of heat transferred from the heated food. Potholders may be needed to handle the utensil.
13. Utensils should be checked to ensure that they are suitable for use in microwave oven.
14. **WARNING!**--It is hazardous for anyone other than a trained person to carry out any service or repair operation which involves the removal of any cover which gives protection against exposure to microwave energy.
15. This product is a Group 2 Class B ISM equipment. The definition of Group 2 which contains all ISM (Industrial, Scientific and Medical) equipment in which radio-frequency energy is intentionally generated and/or used in the form of electromagnetic radiation for the treatment of material, and spark erosion equipment. For Class B equipment is equipment suitable for use in domestic establishments and in establishments directly connected to a low voltage power supply network which supplies buildings used for domestic purpose.
16. This appliance is not intended for use by persons (including children) with reduced physical, sensory or mental capabilities, or lack of experience and knowledge, unless they have been given supervision or instruction concerning use of the appliance by a person responsible for their safety.
17. Children should be supervised to ensure that they do not play with the appliance.
18. The microwave oven is only used in freestanding.
19. **WARNING!**--Do not install oven over a range cook top or other heat-producing appliance. if installed could be damaged and the warranty would be avoid .
20. The microwave oven shall not be placed in a cabinet.
21. **WARNING!**--The appliance and its accessible parts become hot during use.
22. **WARNING!**--Accessible parts may become hot during use. Young children should be kept away.
23. During use the appliances becomes hot. Care should be taken to avoid touching heating elements inside the oven, for cooking ranged and ovens.
24. The temperature of accessible surfaces may be high when the appliance is operating.
25. The appliance shall be placed against a wall.
26. Appliance is not to be used by children or persons with reduced physical, sensory

- or mental capabilities, or lack of experience and knowledge, unless they have been given supervision or instruction.
27. **WARNING!**--If the door or door seals are damaged, the oven must not be operated until it has been repaired by a competent person.
  28. The appliances are not intended to be operated by means of an external timer or separate remote-control system.
  29. The microwave oven is for household use only and not for commercial use.
  30. Never remove the distance holder in the back or on the sides, as it ensures a minimum distance from the wall for air circulation.
  31. Please secure the turntable before you move the appliance to avoid damages.
  32. **CAUTION!**--It is dangerous to repair or maintain the appliance by no other than a specialist because under these circumstances the cover have to be removed which assures protection against microwave radiation. This applies to changing the power cord or the lighting as well. Send the appliance in these cases to our service centre.
  33. The microwave oven is intended for defrosting, cooking and steaming of food only.
  34. Use gloves if you remove any heated food.
  35. Caution! Steam will escape, when opening lids or wrapping foil.
  36. This appliance can be used by children aged from 8 years and above and persons with reduced physical, sensory or mental capabilities or lack of experience and knowledge if they have been given supervision or instruction concerning use of the appliance in a safe way and understand the hazards involved. Children shall not play with the appliance. Cleaning and user maintenance shall not be made by children unless they are aged from 8 years and above and supervised.
  37. If smoke is emitted, switch off or unplug the appliance and keep the door closed in order to stifle any flames.

## INSTALLATION GUIDE

1. Make sure that all the packing materials are removed from the inside of the door.
2. **WARNING:** Check the oven for any damage, such as misaligned or bent door, damaged door seals and sealing surface, broken or loose door hinges and latches and dents inside the cavity or on the door. If there is any damage, do not operate the oven and contact qualified service personnel.
3. This microwave oven must be placed on a flat, stable surface to hold its weight and the heaviest food likely to be cooked in the oven.

4. Do not place the oven where heat, moisture, or high humidity are generated, or near combustible materials.
5. For correct operation, the oven must have sufficient airflow. Allow 20cm of space above the oven, 10cm at back and 5cm at both sides. Do not cover or block any openings on the appliance. Do not remove feet.
6. Do not operate the oven without glass tray, roller support, and shaft in their proper positions.
7. Make sure that the power supply cord is undamaged and does not run under the oven or over any hot or sharp surface.
8. The socket must be readily accessible so that it can be easily unplugged in an emergency.
9. Do not use the oven outdoors.

## **RADIO INTERFERENCE**

Operation of the microwave oven can cause interference to your radio, TV, or similar equipment. When there is interference, it may be reduced or eliminated by taking the following measures:

1. Clean door and sealing surface of the oven.
2. Reorient the receiving antenna of radio or television.
3. Relocate the microwave oven with respect to the receiver.
4. Move the microwave oven away from the receiver.
5. Plug the microwave oven into a different outlet so that microwave oven and receiver are on different branch circuits.

## **MICROWAVE COOKING PRINCIPLES**

1. Arrange food carefully. Place thickest areas towards outside of dish.
2. Watch cooking time. Cook for the shortest amount of time indicated and add

more as needed. Food severely overcooked can smoke or ignite.

3. Cover foods while cooking. Covers prevent spattering and help foods to cook evenly.
4. Turn foods over once during microwave cooking to speed cooking of such foods as chicken and hamburgers. Large items like roasts must be turned over at least once.
5. Rearrange foods such as meatballs halfway through cooking both from top to bottom and from the center of the dish to the outside.

## GROUNDING INSTRUCTIONS

This appliance must be grounded. This oven is equipped with a cord having a grounding wire with a grounding plug. It must be plugged into a wall receptacle that is properly installed and grounded. In the event of an electrical short circuit, grounding reduces risk of electric shock by providing an escape wire for the electric current. It is recommended that a separate circuit serving only the oven be provided. Using a high voltage is dangerous and may result in a fire or other accident causing oven damage.

**WARNING** Improper use of the grounding plug can result in a risk of electric shock.

**Note:**

1. If you have any questions about the grounding or electrical instructions, consult a qualified electrician or service person.
2. Neither the manufacturer nor the dealer can accept any liability for damage to the oven or personal injury resulting from failure to observe the electrical connection procedures.

The wires in this cable main are colored in accordance with the following code:

**Green and Yellow = EARTH**

**Blue = NEUTRAL**

**Brown = LIVE**

## BEFORE YOU CALL FOR SERVICE

If the oven fails to operate:

1. Check to ensure that the oven is plugged in securely. If it is not, remove the plug from the outlet, wait 10 seconds, and plug it in again securely.



2. Check for a blown circuit fuse or a tripped main circuit breaker. If these seem to be operating properly, test the outlet with another appliance.
3. Check to ensure that the control panel is programmed correctly and the timer is set.
4. Check to ensure that the door is securely closed engaging the door safety lock system. Otherwise, the microwave energy will not flow into the oven.

IF NONE OF THE ABOVE RECTIFIES THE SITUATION, THEN CONTACT A QUALIFIED TECHNICIAN. DO NOT TRY TO ADJUST OR REPAIR THE OVEN YOURSELF.

## UTENSILS GUIDE

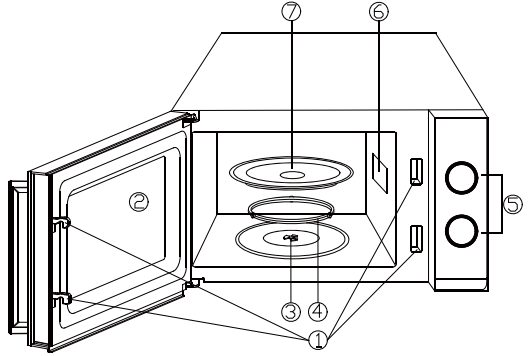
1. Microwave cannot penetrate metal. Only use utensils that are suitable for use in microwave ovens. Metallic containers for food and beverages are not allowed during microwave cooking. This requirement is not applicable if the manufacturer specifies size and shape of metallic containers suitable for microwave cooking.
2. Microwave cannot penetrate metal, so metal utensils or dishes with metallic trim should not be used.
3. Do not use recycled paper products when microwave cooking, as they may contain small metal fragments which may cause sparks and/or fires.
4. Round /oval dishes rather than square/oblong ones are recommend, as food in corners tends to overcook.
5. Narrow strips of aluminum foil may be used to prevent overcooking of exposed areas. But be careful don't use too much and keep a distance of 1 inch (2.54cm) between foil and cavity.

The list below is a general guide to help you select the correct utensils.

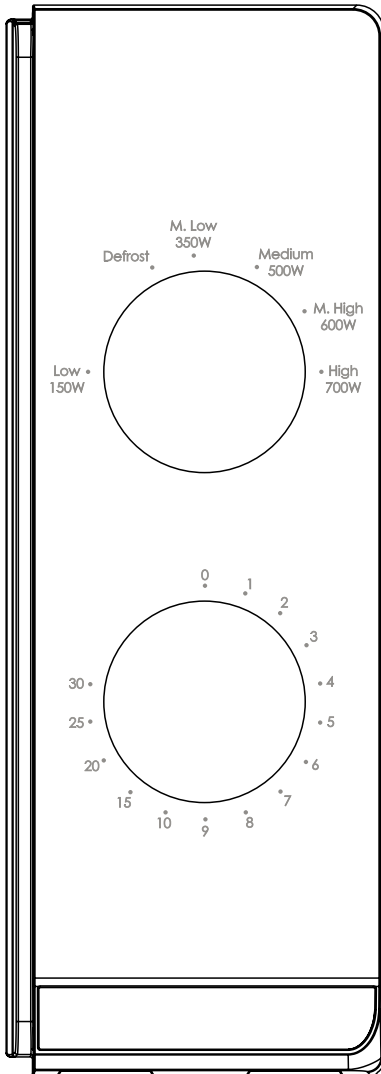
COOKWARE	MICROWAVE
Heat-Resistant Glass	Yes
Non Heat-Resistant Glass	No
Heat-Resistant Ceramics	Yes
Microwave-Safe Plastic Dish	Yes
Kitchen Paper	Yes
Metal Tray	No
Metal Rack	No
Aluminum Foil & Foil Containers	No

# PART NAMES

1. Door Safety Lock System
2. Oven Window
3. Shaft
4. Roller Ring
5. Control Panel
6. Wave Guide  
(Please do not remove the mica plate covering the wave guide)
7. Glass Tray



# CONTROL PANEL



The control panel consists of two function operators. One is a timer knob, and another a power knob.

## ***POWER/ACTION SELECTOR***

You use this operator knob to choose a cooking power level. It is the first step to start a cooking session.

## ***TIMER KNOB***

Offer visual timing settings at easy turn of your thumb to select a desired cooking time up to 30 minutes per cooking session.

## ***MICROWAVE COOKING***

For pure microwave cooking, there are six power levels from which to choose one as best fit to do the job at hand.

Power level increases with the knob turning clockwise. The power levels can be classified as the following:

	Power Output	Description
1	700W	HIGH
2	600W	M.HIGH
3	500W	MED
4	350W	M.LOW
5		DEFROST
6	150W	LOW

# OPERATION

To start a cooking session,

1. Place food in oven and close the door.
2. Turn Power Selector to select a power level.
3. Use Timer knob to set a cooking time

## **NOTE:**

As soon as the timer is turned, oven starts cooking.

When selecting time for less than 2 minutes, turn timer past 2 minutes and then return to the correct time.

**CAUTION:** ALWAYS RETURN TIMER BACK TO ZERO POSITION if food is removed from oven before the set cooking time is complete or when oven is not in use. To stop oven during cooking process, push the door release button or open the door by the handle.

# CLEANING AND CARE

1. Turn off the oven and remove the power plug from the wall socket before cleaning.
2. Keep the inside of the oven clean. When food splatters or spilled liquids adhere to oven walls, wipe with a damp cloth. Mild detergent may be used if the oven gets very dirty. Avoid the use of spray and other harsh cleaners as they may stain, streak or dull the door surface.
3. The outside surfaces should be cleaned with a damp cloth. To prevent damage to the operating parts inside the oven, water should not be allowed to seep into the ventilation openings.
4. Wipe the door and window on both sides, the door seals and adjacent parts frequently with a damp cloth to remove any spills or spatters. Do not use abrasive cleaner.
5. A steam cleaner is not be used.
6. Do not allow the control panel to become wet. Clean with a soft, damp cloth. When cleaning the control panel, leave oven door open to prevent oven from accidentally turning on.
7. If steam accumulates inside or around the outside of the oven door, wipe with a soft cloth. This may occur when the microwave oven is operated under high humidity condition. And it is normal.
8. It is occasionally necessary to remove the glass tray for cleaning. Wash the tray

in warm sudsy water or in a dishwasher.

9. The roller ring and oven floor should be cleaned regularly to avoid excessive noise. Simply wipe the bottom surface of the oven with mild detergent. The roller ring may be washed in mild sudsy water or dishwasher. When removing the roller ring from cavity floor for cleaning, be sure to replace in the proper position.
10. Remove odors from your oven by combining a cup of water with the juice and skin of one lemon in a deep microwaveable bowl, microwave for 5 minutes. Wipe thoroughly and dry with a soft cloth.
11. When it becomes necessary to replace the oven light, please consult a dealer to have it replaced.
12. The oven should be cleaned regularly and any food deposits removed. Failure to maintain the oven in a clean condition could lead to deterioration of the surface that could adversely affect the life of the appliance and possibly result in a hazardous.
13. Please do not dispose this appliance into the domestic rubbish bin; it should be disposed to the particular disposal center provided by the municipalities.

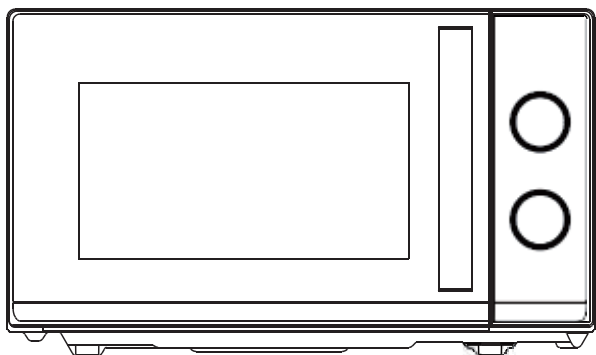


This appliance is labelled in accordance with European Directive 2012/19/EU on Waste Electrical and Electronic Equipment Regulations 2013 regarding electric and electronic appliances (WEEE). The WEEE contain both polluting substances (that can have a negative effect on the environment) and base elements (that can be reused). It is important that the WEEE undergo specific treatments to correctly remove and dispose of the pollutants and recover all the materials. Individuals can play an important role in ensuring that the WEEE do not become an environmental problem; it is essential to follow a few basic rules:

- the WEEE should not be treated as domestic waste;
- the WEEE should be taken to dedicated collection areas managed by the town council or a registered company.


In many countries, domestic collections may be available for large WEEEs. When you buy a new appliance, the old one can be returned to the vendor who must accept it free of charge as a one-off, as long as the appliance is of an equivalent type and has the same functions as the purchased appliance.

# Návod k obsluze mikrovlnné trouby



Model: CMW20TNMB

Před instalací a obsluhou trouby si pečlivě přečtěte tento návod.

<b>Haier Europe</b> <small>CANOPY</small>  <b>Haier</b>	<b>PT</b> 📞 707 200 188 210 010 773	<b>IT</b> 📞 02 400 48 200	<b>ES</b> 📞 902 100 150 943 914 150	<b>DE</b> 📞 0800 500 48 48
<b>BE</b> 📞 02 752 94 10	<b>NL</b> 📞 33 422 4000	<b>AT</b> 📞 0820 220 224	<b>GR</b> 📞 801 11 50 50 50	<b>CH</b> 📞 0848 780 780

# OBSAH

SPECIFIKACE .....	2
OPATŘENÍ K ZABRÁNĚNÍ MOŽNÉMU VYSTAVENÍ NADMĚRNÉ MIKROVLNNÉ ENERGII.....	2
DŮLEŽITÉ BEZPEČNOSTNÍ POKYNY .....	3
INSTALAČNÍ PŘÍRUČKA .....	5
RÁDIOVÉ RUŠENÍ .....	6
ZÁSADY VAŘENÍ V MIKROVLNNÉ TROUBĚ .....	6
POKYNY K UZEMNĚNÍ .....	7
NEŽ ZAVOLÁTE SERVIS .....	7
PRŮVODCE NÁDOBÍ .....	8
NÁZVY ČÁSTÍ .....	9
OVLÁDACÍ PANEL .....	10
VOLIČ VÝKONU/ČINNOSTI .....	10
KNOFLÍK ČASOVAČE .....	10
MIKROVLNNÉ VAŘENÍ .....	10
PROVOZ.....	11
ČIŠTĚNÍ A PÉČE.....	11



# SPECIFIKACE

Spotřeba:	230-240 V/50 Hz, 1200 W (mikrovlonná trouba)
Jmenovitý mikrovlnný výkon:	700 W
Provozní frekvence:	2450 MHz
Vnější rozměry:	262 mm (V) × 452 mm (Š) × 346 mm (H)
Rozměry vnitřní části trouby:	198 mm (V) × 315 mm (Š) × 297 mm (H)
Objem trouby:	Kompaktní 20 litrů
Čistá hmotnost:	Přibližně 10,8 kg

## OPATŘENÍ K ZABRÁNĚNÍ MOŽNÉMU VYSTAVENÍ NADMĚRNÉ MIKROVLNNÉ ENERGII

1. Nepokoušejte se používat tuto troubu s otevřenými dvířky, protože provoz s otevřenými dvířky může mít za následek škodlivé vystavení mikrovlnné energii. Je důležité, abyste neporazili bezpečnostní zámky ani s nimi nemanipulovali.
2. Mezi přední stěnu trouby a dvířka neumísťujte žádné předměty, ani nedovolte, aby se na těsnících plochách hromadila špína nebo zbytky čistícího prostředku.
3. Pokud je trouba poškozená, nepoužívejte ji. Je velmi důležité, aby se dvířka trouby správně zavírala a aby nedošlo k poškození
  - a. Dveře (ohnuté),
  - b. Závěsy a západky (prasklé nebo uvolněné),
  - c. Těsnění dvířek a těsnící plochy.
4. Troubu by neměl seřizovat ani opravovat nikdo jiný než řádně kvalifikovaný servisní personál.

# DŮLEŽITÉ BEZPEČNOSTNÍ POKYNY

Při používání elektrického spotřebiče je třeba dodržovat základní bezpečnostní opatření, včetně následujících:

**UPOZORNĚNÍ!** Pro snížení rizika popálenin, úrazu elektrickým proudem, požáru, zranění osob nebo vystavení nadměrné mikrovlnné energii:

1. Tento spotřebič používejte pouze pro zamýšlené použití, jak je popsáno v návodu. V tomto spotřebiči nepoužívejte korozivní chemikálie ani páry. Tento typ trouby je speciálně určen k ohřevu, vaření nebo sušení potravin. Není určen pro průmyslové nebo laboratorní použití.
2. Neprovazujte troubu, pokud je prázdná.
3. Nepoužívejte tento spotřebič, pokud má poškozený kabel nebo zástrčku, pokud nepracuje správně nebo pokud byl poškozen nebo spadl. Pokud je napájecí kabel poškozen, musí být vyměněn výrobcem, jeho servisním technikem nebo podobně kvalifikovanou osobou, aby se zabránilo nebezpečí.
4. **UPOZORNĚNÍ!** Děti smí používat troubu bez dozoru pouze tehdy, pokud jim byly poskytnuty odpovídající pokyny, aby mohly troubu používat bezpečným způsobem a pochopily nebezpečí spojené s nesprávným použitím.
5. Pro snížení rizika požáru uvnitř trouby:
  - Při ohřívání potravin v plastových nebo papírových nádobách sledujte troubu kvůli možnosti vznícení.
  - Před vložením sáčku do trouby odstraňte z papíru nebo plastových sáčků drátěné uzávěry.
  - Pokud se vyskytne kouř, ihned vypněte spotřebič a zástrčku vytáhněte ze zásuvky, dvířka nechte otevřená a případný oheň uhasťte.
  - Nepoužívejte vnitřní prostor trouby pro skladování. Nenechávejte uvnitř papírové výrobky, kuchyňské náčiní nebo potraviny, pokud nejsou používány.
  - Mikrovlnná trouba je určena k ohřevu jídla a nápojů. Sušení potravin nebo oděvů a zahřívání nahřívacích polštářků, pantoflí, houbiček, vlhkých látek apod. může vést k nebezpečí zranění, vznícení nebo požáru.
6. **UPOZORNĚNÍ!** Tekutiny nebo jiné potraviny nesmí být zahřívány v uzavřených nádobách, protože mohou explodovat.
7. Mikrovlnné ohřívání nápojů může vést k jejich opožděnému bublajícímu vaření, proto při manipulaci s těmito nápoji dbejte zvýšené opatrnosti.
8. Jídlo v troubě nesmažte. Horký olej může poškodit části trouby a kuchyňské potřeby a dokonce může způsobit popáleniny kůže.

9. Vajíčka ve skořápce a vajíčka vařená natvrdo by se neměla ve spotřebiči ohřívat, protože mohou explodovat i po dokončení mikrovlnného ohřevu.
10. Potravinu s tvrdou kůrou před vařením propíchněte, např. brambory, dýně, jablka a kaštiny.
11. Obsah kojeneckých lahví a lahviček s dětskou výživou je třeba před použitím promíchat nebo s nimi zatřepat, abyste tak předešli popáleninám.
12. Náčiní na vaření se mohou zahřát v důsledku tepla přenášeného z ohřivaného jídla. Pro manipulaci s náčiním mohou být zapotřebí kuchyňské chňapky.
13. Kuchyňské náčiní je třeba zkontrolovat, aby se zajistilo, že je vhodné k použití v mikrovlnných troubách.
14. **UPOZORNĚNÍ!** Je nebezpečné pro kohokoli jiného než kvalifikovaného opraváře provádět jakýkoli servis nebo opravy, které zahrnují demontáž krytu, který ochraňuje proti expozici mikrovlnné energii.
15. Tento výrobek patří do skupiny 2 třídy B zařízení ISM. Definice skupiny 2, která zahrnuje všechna zařízení ISM (průmyslová, vědecká a lékařská), v nichž se záměrně vytváří a/nebo používá radiofrekvenční energie ve formě elektromagnetického záření pro úpravu materiálu, a zařízení pro jiskrovou erozi. Zařízení třídy B je zařízení vhodné pro použití v domácnostech a v zařízeních přímo připojených k síti nízkého napětí, která zásobuje budovy používané pro domácí účely.
16. Tento spotřebič nesmějí používat osoby (včetně dětí) se sníženými fyzickými, smyslovými nebo duševními schopnostmi nebo nedostatečnými zkušenostmi a znalostmi, pokud nejsou pod dohledem osoby odpovědné za jejich bezpečnost nebo nebyly touto osobou poučeny ohledně používání spotřebiče.
17. Děti by měly být dohledem, aby se zajistilo, že si se spotřebičem nebudou hrát.
18. Mikrovlnná trouba se používá pouze jako volně stojící.
19. **UPOZORNĚNÍ!** Neinstalujte troubu na horní panel sporáku ani jiné zařízení vydávající teplo. Pokud byla nainstalována, mohla by se poškodit a záruka by byla zrušena.
20. Mikrovlnná trouba nesmí být umístěna ve skříni.
21. **UPOZORNĚNÍ:** Spotřebič a jeho přístupné části se během používání zahřívají na vysokou teplotu.
22. **UPOZORNĚNÍ!** Přístupné části se mohou během používání zahřát. Malé děti by měly být drženy v dostatečné vzdálenosti.
23. Během používání se spotřebiče zahřejí. Dávejte pozor, abyste se nedotkli topných prvků ploténky a na pečení uvnitř trouby.
24. Teplota přístupných povrchů může být při provozu spotřebiče vysoká.
25. Spotřebič musí být umístěn u stěny.
26. Spotřebič nesmí používat děti nebo osoby se sníženými fyzickými, smyslovými nebo duševními schopnostmi nebo s nedostatkem zkušeností a znalostí, pokud nebyly pod dohledem nebo poučeny.

27. **UPOZORNĚNÍ!** Pokud jsou dvířka nebo těsnění dvířek poškozena, trouba nesmí být v provozu, dokud ji neopraví kvalifikovaná osoba.
28. Spotřebiče nejsou určeny k ovládání pomocí externího časovače nebo samostatného systému dálkového ovládání.
29. Mikrovlnná trouba je určena pouze pro použití v domácnosti a ne pro komerční použití.
30. Nikdy neodstraňujte distanční lištu, která se nachází zezadu a na stranách, protože zajišťuje minimální vzdálenost od stěny pro cirkulaci vzduchu.
31. Před přesunem spotřebiče zajistěte otočný talíř, abyste předešli jeho poškození.
32. **POZOR!** Je nebezpečné, jestliže spotřebič opravuje nebo servisuje osoba, která není specialistou, protože za těchto okolností je třeba odstranit kryt, který zajišťuje ochranu před mikrovlnným zářením. To platí i pro výměnu napájecího kabelu nebo osvětlení. Spotřebič v těchto případech odešlete do našeho servisního střediska.
33. Mikrovlnná trouba je určena pouze k rozmrazování, vaření a vaření v páře.
34. Při vybírání jakéhokoli zahřátého jídla použijte rukavice.
35. Pozor! Při otevírání víček nebo balicí fólie unikne pára.
36. Tento spotřebič smějí používat děti starší 8 let a osoby se sníženými fyzickými, smyslovými nebo duševními schopnostmi nebo bez patřičných zkušeností a znalostí, pokud jsou pod dohledem osoby odpovědné za jejich bezpečnost, případně byly poučeny o bezpečném používání spotřebiče a rozumějí možným nebezpečím. Děti si se spotřebičem nesmějí hrát. Čištění a údržbu uživatele nesmějí provádět děti, pokud nejsou starší 8 let a nejsou pod dohledem.
37. Pokud ze spotřebiče vychází kouř, vypněte nebo odpojte jej a nechte dvířka zavřená, aby se případné plameny uhasily.

## INSTALAČNÍ PŘÍRUČKA

1. Ujistěte se, že jste z vnitřního prostoru trouby vyjmuli veškerý obalový materiál.
2. **VAROVÁNÍ:** **UPOZORNĚNÍ!** Zkontrolujte, zda není trouba nějakým způsobem poškozená, například zda nejsou nevyrovnaná nebo zkřivená dvířka, poškozené nebo uvolněné dveřní závěsy, západky a ozuby uvnitř trouby nebo na dvířkách. Pokud dojde k poškození, troubu nepoužívejte a kontaktujte kvalifikovaný servisní personál.
3. Tato mikrovlnná trouba musí být umístěna na rovném, stabilním povrchu, aby udržela svou hmotnost a nejtěžší potraviny, které mohou být v troubě vařeny.
4. Neumísťujte troubu blízko tepelných zdrojů, na místa se zvýšenou vlhkostí nebo v blízkosti hořlavých materiálů.

5. Pro správnou funkci musí mít trouba dostatečný průtok vzduchu. Nad troubou ponechte 20 cm prostoru, vzadu 10 cm a po obou stranách 5 cm. Nezakrývejte ani neblokujte žádné otvory na spotřebiči. Neodstraňujte nožky.
6. Nepoužívejte troubu, jestliže skleněný talíř, válečkový prstenec, podpěra a hřidel nejsou na svém řádném místě.
7. Ujistěte se, že napájecí kabel není poškozený a není umístěn pod troubou ani na horkém nebo ostrém povrchu.
8. Zásuvka musí být snadno přístupná, aby ji bylo možné v případě nouze snadno odpojit.
9. Nepoužívejte troubu venku.

## RÁDIOVÉ RUŠENÍ

Provoz mikrovlnné trouby může způsobit rušení rádia, televize nebo podobného zařízení. Pokud dojde k rušení, může být sníženo nebo eliminováno následujícími opatřeními:

1. Vyčistěte dvířka a těsnící povrch trouby.
2. Přesměrujte přijímací anténu rádia nebo televize.
3. Přemístěte mikrovlnnou troubu s ohledem na přijímač.
4. Přesuňte mikrovlnnou troubu od přijímače.
5. Zapojte napájecí kabel počítače do jiné zásuvky tak, aby počítač a přijímač byly připojeny k různým větvím obvodu.

## ZÁSADY VAŘENÍ V MIKROVLNNÉ TROUBĚ

1. Opatrně připravte jídlo. Nejsilnější oblasti umístěte směrem k vnější straně nádoby.
2. Sledujte dobu přípravy pokrmu. Vařte co nejkratší dobu a podle potřeby přidejte další. Hodně převařené jídlo může kouřit nebo se i vznítit.
3. Během vaření zakryjte jídlo. Kryty zabraňují stříkání a pomáhají rovnoměrnému vaření jídla.
4. Během vaření s mikrovlnami jídlo jako kuře a hamburgery ke zrychlení vaření obraťte. Velké kusy, jako jsou pečeně, musí být otočeny alespoň jednou.
5. Jídlo jako masové kuličky uprostřed vaření promíchejte tak, aby se kuličky zdola dostaly nahoru a kuličky ze středu talíře na okraj.

# POKYNY K UZEMNĚNÍ

Tento spotřebič musí být uzemněn. Tato trouba je vybavena kabelem se zemnicím vodičem se zemnicí zástrčkou. Musí být zapojen do zásuvky, která je správně nainstalována a uzemněna. V případě elektrického zkratu snižuje uzemnění riziko úderu elektrickým proudem poskytnutím drátu, po kterém může odtéci elektrický proud. Doporučuje se, aby byl zajištěn samostatný okruh sloužící pouze troubě. Použití vysokého napětí je nebezpečné a může mít za následek požár nebo jinou nehodu způsobující poškození trouby.

**UPOZORNĚNÍ!** Nesprávné použití uzemňovací zástrčky může vést k riziku úrazu elektrickým proudem.

## **Poznámka:**

1. Máte-li jakékoli dotazy týkající se uzemnění nebo elektrických pokynů, poraďte se s kvalifikovaným elektrikářem nebo servisním technikem.
2. Výrobce ani prodejce nemohou nést žádnou odpovědnost za poškození trouby nebo zranění osob v důsledku nedodržení postupů elektrického připojení.

Dráty v tomto hlavním kabelu jsou barevné podle následujícího kódu:

**Zelená a žlutá = UZEMNĚNÍ**

**Modrá = NEUTRÁL**

**Hnědá = FÁZE**

# NEŽ ZAVOLÁTE SERVIS

Pokud trouba nefunguje:

1. Zkontrolujte, zda je trouba bezpečně zapojena do sítě. Pokud ne, vytáhněte zástrčku ze zásuvky, počkejte 10 sekund a znovu ji bezpečně zapojte.
2. Zkontrolujte, zda není spálená pojistka obvodu nebo zda není vypnutý hlavní jistič. Pokud se zdá, že fungují správně, otestujte zásuvku jiným spotřebičem.
3. Zkontrolujte, zda je ovládací panel správně naprogramován a zda je nastaven časovač.
4. Zkontrolujte, zda jsou dveře bezpečně zavřené a zda je zajištěn bezpečnostní zámek dveří. V opačném případě nebude mikrovlnná energie do trouby proudit.

**POKUD NIC Z VÝŠE UVEDENÉHO NEVYŘEŠÍ PROBLÉM, OBRAŤTE SE NA KVALIFIKOVANÉHO TECHNIKA. NESNAŽTE SE TROUBU UPRAVOVAT ANI OPRAVOVAT SAMI.**

# PRŮVODCE NÁDOBÍM

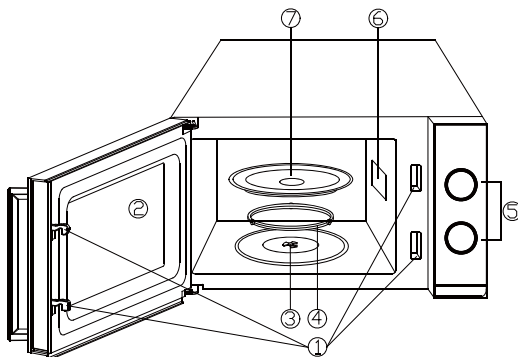
1. Mikrovlny nemohou procházet kovem. Používejte pouze nádobí vhodné pro použití v mikrovlnných troubách. Pro přípravu pokrmů a nápojů v mikrovlnné troubě nesmí být použity kovové nádoby. Tento požadavek neplatí, pokud výrobce uvede velikost a tvar kovových nádob vhodných pro vaření v mikrovlnné troubě.
2. Mikrovlny nemohou procházet kovem, nepoužívejte proto kovové nádobí nebo talíře s kovovým okrajem.
3. Při vaření s mikrovlnami nepoužívejte výrobky z recyklovaného papíru, mohou totiž obsahovat malé úlomky kovu, které by mohly při použití v troubě způsobit jiskření i požár.
4. Doporučujeme zvolit raději kulaté nebo oválné nádoby, protože ve čtvercových nebo obdélníkových se může jídlo v rozích přehřívat.
5. Úzké pásy hliníkové fólie lze použít k zabránění přehřátí exponovaných ploch. Ale buďte opatrní, nepoužívejte příliš mnoho a udržujte vzdálenost 2,54 cm mezi fólií a stěnou.

Níže uvedený seznam je obecným návodem, který vám pomůže vybrat správné nádobí.

NÁDOBÍ	MIKROVLNÝ
Tepelně odolné sklo	Ano
Sklo, které není tepelně odolné	Ne
Tepelně odolná keramika	Ano
Plastové nádobí bezpečné pro mikrovlnnou troubu	Ano
Kuchyňský papír	Ano
Kovový talíř	Ne
Kovový stojan	Ne
Hliníkové fólie a fóliové obaly	Ne

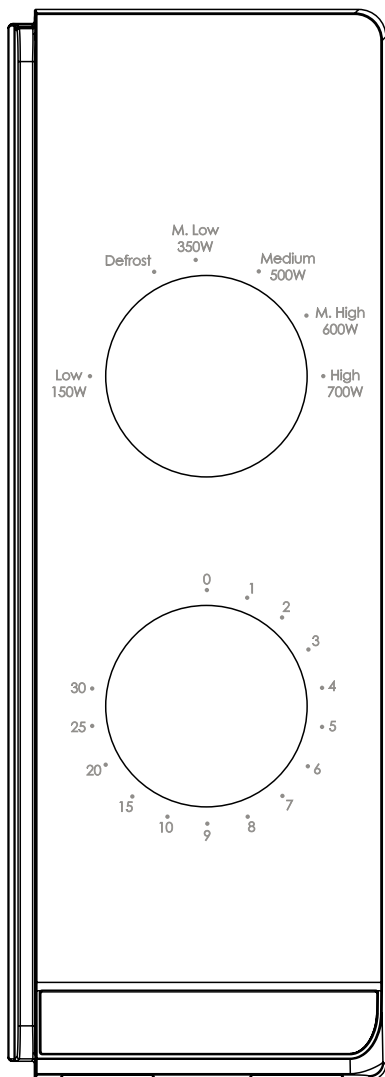
# NÁZVY ČÁSTÍ

1. Systém bezpečnostního zámku dvířek
2. OKÉNKO TROUBY
3. Hřídels
4. Válečkový prstenec
5. Ovládací panel
6. Průvodce vlnami  
(Neodstraňujte slídovou destičku zakrývající vlnovod)
7. Skleněný talíř





# OVLÁDACÍ PANEL



Ovládací panel se skládá ze dvou funkčních ovladačů. Jeden je knoflík časovače a druhý knoflík výkonu.

## ***VOLIČ VÝKONU/ČINNOSTI***

Pomocí tohoto ovládacího knoflíku můžete zvolit stupeň výkonu vaření. Je to první krok k zahájení vaření.

## ***KNOFLÍK ČASOVAČE***

Nabízí vizuální nastavení času, kdy si snadno otočením palce zvolíte požadovanou dobu vaření až do 30 minut na jednu varnou relaci.

## ***MIKROVLNNÉ VAŘENÍ***

Pro čistě mikrovlnné vaření je k dispozici šest úrovní výkonu, z nichž si můžete vybrat tu, která je pro danou práci nevhodnější.

Úroveň výkonu se zvyšuje otáčením knoflíku ve směru hodinových ručiček. Úroveň výkonu lze rozdělit takto:

	výstupní výkon	Popis
1	700 W	VYSOKÁ
2	600 W	M.HIGH
3	500 W	MED
4	350 W	M.LOW
5		ROZMRAZOVÁNÍ
6	150 W	NÍZKÁ

# PROVOZ

Zahájení vaření,

1. Vložte jídlo do trouby a zavřete dvířka.
2. Otočením voliče výkonu zvolte úroveň výkonu.
3. Pomocí knoflíku časovače nastavte dobu vaření

## **POZNÁMKA:**

Jakmile se časovač zapne, trouba začne péct.

Při volbě času kratšího než 2 minuty otočte časovač za 2 minuty a poté se vraťte na správný čas.

**POZOR: VŽDY VRAŤTE ČASOVAČ DO NULOVÉ POLOHY,** pokud je jídlo vyjmuto z trouby před uplynutím nastavené doby pečení nebo když se trouba nepoužívá. Chcete-li troubu během pečení zastavit, stiskněte tlačítko pro uvolnění dvířek nebo dvířka otevřete za rukojeť.

# ČIŠTĚNÍ A PÉČE

1. Před čištěním troubu vypněte a vytáhněte zástrčku ze zásuvky.
2. Udržujte vnitřek trouby čistý. Vystříknuté jídlo nebo rozlité tekutiny stačí setřít vlhkým hadříkem. Pokud je trouba velmi znečištěna, je možné použít i jemný čisticí prostředek. Nepoužívejte spreje a jiné drsné čisticí prostředky, protože mohou způsobit skvrny, šmouhy nebo zmatnění povrchu dveří.
3. Vnější povrchy by se měly čistit vlhkým hadříkem. Aby nedošlo k poškození vnitřních stěn mikrovlnné trouby, dbejte na to, aby se do průduchů nedostala voda.
4. Vlhkým hadříkem často otírejte dvířka a okénko po obou stranách, těsnění dvířek a přilehlé části, abyste odstranili všechny stříkance a rozlití jídel. Nepoužívejte abrazivní čisticí prostředek.
5. Parní čistič se nepoužívá.
6. Nedovolte, aby se ovládací panel namočil. Vyčistěte měkkým, vlhkým hadříkem. Při čištění ovládacího panelu nechte otevřená dvířka trouby, aby nedošlo k náhodnému zapnutí trouby.
7. Pokud se pára nahromadí uvnitř nebo kolem dvířek trouby, otřete ji měkkým hadříkem. K tomu může dojít, pokud je mikrovlnná trouba provozována při vysoké vlhkosti. Je to běžný jev.
8. Občas je nutné vyjmout skleněný talíř a vyčistit jej. Umyjte talíř v teplé mýdlové vodě nebo v myčce.

9. Válečkový prsteneček a dno trouby je třeba pravidelně čistit, aby nedocházelo k nadměrnému hluku. Jednoduše otřete dno trouby jemným čistícím prostředkem. Válečkový kroužek lze mýt v mírně vlažné vodě nebo v myčce nádobí. Při odstraňování kroužku válce z podlahy dutiny kvůli čištění se ujistěte, že je vyměněn ve správné poloze.
10. Zápach z trouby odstraní tak, že v hluboké misce smícháte šálek vody se šťávou a kůrou z jednoho citronu a necháte 5 minut působit v mikrovlnné troubě. Důkladně ji otřete a vysušte měkkým hadříkem.
11. Pokud je nutné světlo trouby vyměnit, obraťte se na prodejce, aby vám ho vyměnil.
12. Troubu je třeba pravidelně čistit a odstraňovat z ní případné usazeniny potravin. Neudržování trouby v čistém stavu by mohlo vést ke zhoršení povrchu, které by mohlo nepříznivě ovlivnit životnost spotřebiče a případně vést k nebezpečnému.
13. Tento spotřebič nevyhazujte do domácího odpadu. Měl by být zlikvidován ve speciálním sběrném dvoře, který zřídila obec.

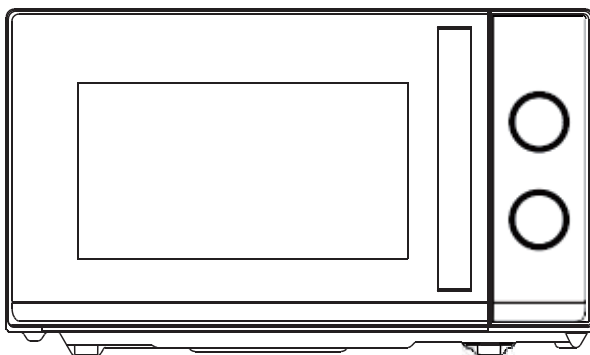


Tento spotřebič je označen v souladu s Evropskou směrnicí 2012/19/EU o odpadních elektrických a elektronických zařízeních z roku 2013, která se týká elektrických a elektronických zařízení (OEEZ). OEEZ obsahuje znečišťující látky (které mohou mít negativní dopad na životní prostředí) i základní prvky (které lze znovu použít). Je důležité, aby OEEZ prošel specifickými úpravami, a znečišťující látky tak byly správně odstraněny a zlikvidovány, a aby byly obnoveny všechny materiály. Jednotlivci mohou hrát důležitou roli při zajišťování toho, aby se OEEZ nestal zátěží pro životní prostředí. Je nezbytné dodržovat několik základních pravidel:

- OEEZ se nesmí likvidovat jako domovní odpad;
- OEEZ by měl být odvezen do vyhrazených sběrných oblastí spravovaných městskou radou nebo registrovanou společností.











V případě objemného OEEZ mohou být v mnoha zemích k dispozici sběry z domácností. Při zakoupení nového spotřebiče lze vrátit starý spotřebič prodejci, který je povinen jej jednorázově bezplatně přijmout, pokud je spotřebič obdobného typu a má stejné funkce jako zakoupený spotřebič.

# Anweisungen für den Mikrowellenherd



Modell: CMW20TNMB

Bitte lesen Sie diese Anleitung vor der Installation und dem Betrieb  
des Ofens sorgfältig durch.

<b>Haier Europe</b> <small>CANOPY</small>  <small>Haier</small>	<b>PT</b>  707 200 188 210 010 773	<b>IT</b>  02 400 48 200	<b>ES</b>  902 100 150 943 914 150	<b>DE</b>  0800 500 48 48
<b>BE</b>  02 752 94 10	<b>NL</b>  33 422 4000	<b>AT</b>  0820 220 224	<b>GR</b>  801 11 50 50 50	<b>CH</b>  0848 780 780

70017948

# INHALT

EIGENSCHAFTEN .....	2
VORSICHTSMASSNAHMEN ZUR VERMEIDUNG EINER MÖGLICHEN EXPOSITION GEGENÜBER ÜBERMÄSSIGER MIKROWELLENENERGIE.....	2
WICHTIGE SICHERHEITSANWEISUNGEN .....	3
MONTAGEANLEITUNG .....	6
FUNKSTÖRUNG .....	7
PRINZIP DES MIKROWELLENGARENS .....	7
HINWEISE ZUR ERDUNG DES GERÄTS.....	7
BEVOR SIE DEN KUNDENDIENST RUFEN .....	8
GEEIGNETES KOCHGESCHIRR.....	9
TEILEBEZEICHNUNG .....	10
BEDIENFELD .....	11
LEISTUNGS-/AKTIONSWAHLSCHALTER .....	11
TIMER-KNOPF .....	11
GAREN IN DER MIKROWELLE .....	11
BETRIEB .....	12
REINIGUNG UND PFLEGE .....	12

# EIGENSCHAFTEN

Leistungsaufnahme	230-240V/50 Hz, 1200 W (Mikrowelle)
Nennleistung der Mikrowelle:	700 W
Betriebsfrequenz:	2450 MHz
Außenabmessungen	262 mm(H)×452mm(B)×346 mm(T)
Abmessungen des Ofenraums:	198 mm(H)×315 mm(B)×297 mm(T)
Ofenkapazität:	Kompakt 20 Liter
Nettogewicht:	Ca.10,8 kg

## VORSICHTSMASSNAHMEN ZUR VERMEIDUNG EINER MÖGLICHEN EXPOSITION GEGENÜBER ÜBERMÄSSIGER MIKROWELLENENERGIE

1. Versuchen Sie nicht, diesen Ofen bei geöffneter Tür zu benutzen, weil der Betrieb mit geöffneter Tür zu einer schädlichen Einwirkung von Mikrowellenenergie führen kann. Es ist wichtig, die Sicherheitsverriegelungen nicht zu deaktivieren oder zu manipulieren.
2. Achten Sie darauf, dass sich keine Gegenstände zwischen Ofenvorderseite und Tür befinden und sich weder Schmutz noch Reinigungsrückstände auf Dichtflächen ansammeln.
3. Benutzen Sie den Ofen nicht, wenn er beschädigt ist. Es ist insbesondere wichtig, dass die Ofentür ordnungsgemäß schließt und folgende Komponenten unbeschädigt sind:
  - a. Tür (verbogen)
  - b. Scharniere und Riegel (gebrochen oder lose)
  - c. Türdichtungen und Dichtflächen
4. Der Ofen darf nur von ordnungsgemäß qualifiziertem Servicepersonal eingestellt oder repariert werden.

# WICHTIGE SICHERHEITSANWEISUNGEN

Bei der Benutzung von Elektrogeräten sind grundlegende Vorsichtsmaßnahmen zu beachten, einschließlich des Folgenden:

**WARNUNG!**--Gefahr von Verbrennungen, elektrischem Schlag, Feuer, Verletzung von Personen oder Exposition gegenüber übermäßiger Mikrowellenenergie zu verringern:

1. Verwenden Sie das Gerät nur für den in der Anleitung beschriebenen Verwendungszweck. Verwenden Sie in diesem Gerät keine ätzenden Chemikalien oder Dämpfe. Dieser Ofentyp ist speziell zum Erhitzen, Kochen oder Trocknen von Lebensmitteln konzipiert. Es ist nicht für den industriellen oder Laboreinsatz ausgelegt.
2. Benutzen Sie den Ofen nicht, wenn er leer ist.
3. Benutzen Sie dieses Gerät nicht, wenn ein Kabel oder Stecker beschädigt ist oder wenn es nicht ordnungsgemäß funktioniert oder beschädigt oder fallengelassen wurde. Wenn das Netzkabel beschädigt ist, muss es durch den Hersteller oder dessen Kundendienst oder eine ähnlich qualifizierte Person ersetzt werden, um Gefahren zu vermeiden
4. Kinder dürfen den Ofen nur dann unbeaufsichtigt benutzen, nachdem sie eine entsprechende Einweisung erhalten haben, damit sie ihn auf sichere Weise benutzen und die Gefahren durch unsachgemäße Verwendung verstanden haben.
5. Um die Brandgefahr im Ofeninneren zu verringern:
  - Behalten Sie beim Erhitzen von Speisen in Kunststoff- oder Papierbehältern den Ofen wegen der Entzündungsmöglichkeit im Auge.
  - Entfernen Sie Drahtverschlüsse aus Papier- oder Kunststoffbeuteln, bevor Sie die Beutel in den Ofen legen.
  - Sollte Rauch auftreten, muss das Gerät sofort ausgeschaltet oder der Netzstecker gezogen werden und die Tür geschlossen bleiben, um Flammen zu ersticken.
  - Benutzen Sie das Gerät nicht als Aufbewahrungsort. Lassen Sie bei Nichtgebrauch keine Papierprodukte, Kochutensilien oder Lebensmittel im Gerät.
  - Die Mikrowelle dient zum Aufwärmen von Nahrungsmitteln und Getränken. Das Trocknen von Nahrungsmitteln und Aufwärmen von Heizkissen, Pantoffeln, Schwämmen, feuchten Textilien und Ähnlichem kann zu Verletzungen, Entzündungs- oder Brandgefahr führen.



6. **WARNUNG!**--Flüssigkeit oder andere Lebensmittel dürfen nicht in verschlossenen Behältern erhitzt werden, da sie explodieren können.
7. Beim Erwärmen von Getränken mittels Mikrowellen kann es zu einem verzögerten eruptiven Aufkochen kommen. Daher ist beim Hantieren mit dem Behältnis Vorsicht geboten.
8. Frittieren Sie keine Speisen im Ofen. Heißes Öl kann Ofenteile und Gegenstände beschädigen und auch zu Hautverbrennungen führen.
9. Rohe und hartgekochte Eier sollten nicht in Mikrowellenöfen erhitzt werden, weil sie auch nach Beendigung des Heizvorgangs noch explodieren können.
10. Stechen Sie Lebensmittel mit einer harten Schale wie Kartoffeln, ganze Kürbisse, Äpfel und Kastanien vor dem Garen an.
11. Der Inhalt von Säuglingsflaschen und Babygläsern sollte umgerührt oder geschüttelt und die Temperatur vor dem Verabreichen überprüft werden, um Verbrennungen zu vermeiden.
12. Kochutensilien können aufgrund der von den erhitzten Lebensmitteln übertragenen Wärme heiß werden. Für die Handhabung können Topflappen erforderlich sein.
13. Kochutensilien müssen auf ihre Eignung für den Einsatz im Mikrowellenofen überprüft werden.
14. Für ungeschulte Personen ist es gefährlich, Wartungs- oder Reparaturarbeiten durchzuführen, bei denen Abdeckungen entfernt werden, die Schutz vor Mikrowellenenergie bietet.
15. Dieses Produkt ist ein ISM-Gerät der Klasse B, Gruppe 2. Zur Gruppe 2 gehören alle (industriellen, wissenschaftlichen und medizinischen) ISM-Geräte, in denen bewusst Hochfrequenzenergie erzeugt und/oder in Form elektromagnetischer Strahlung zur Behandlung von Material verwendet wird, sowie Funkerosionsmaschinen. Zur Klasse B gehören Geräte, die für den Einsatz in häuslichen sowie solchen Einrichtungen geeignet sind, die direkt an ein Niederspannungsnetz angeschlossen sind, das Wohngebäude versorgt.
16. Das Gerät darf von Personen (einschließlich Kindern) mit eingeschränkten physischen, sensorischen oder geistigen Fähigkeiten sowie einem Erfahrungs- und Kenntnismangel nur unter Aufsicht oder nach ausreichender Einweisung durch eine für ihre Sicherheit verantwortliche Person benutzt werden.
17. Kinder müssen beaufsichtigt werden, um sicherzugehen, dass sie nicht am Gerät herumspielen.
18. Der Mikrowellenherd wird nur freistehend verwendet.
19. **WARNUNG!**-Installieren Sie den Backofen nicht über einer Herdplatte oder einem anderen wärmeerzeugenden Gerät. Wenn er installiert wird, könnte er beschädigt werden und die Garantie würde entfallen.
20. Das Mikrowellengerät darf nicht in einem Schrank untergebracht werden.

21. **WARNUNG:** Während des Gebrauchs werden das Gerät und dessen zugänglichen Teile heiß.
22. **WARNUNG!**--Zugängliche Teile können während des Betriebs heiß werden. Kleine Kinder sollten ferngehalten werden.
23. Während des Betriebs werden die Geräte heiß. Achten Sie darauf, dass Sie die Heizelemente im Inneren des Ofens nicht berühren, bei Herdplatten und Backöfen.
24. Die Temperatur von zugänglichen Oberflächen kann im Betrieb hoch sein.
25. Das Gerät muss an einer Wand aufgestellt werden.
26. Das Gerät darf nicht von Kinder oder Personen mit eingeschränkten physischen, sensorischen oder mentalen Fähigkeiten oder einem Mangel an Erfahrung und Wissen benutzt werden, es sei denn, sie werden beaufsichtigt oder haben umfassende Anweisungen erhalten.
27. **WARNUNG!**--Wenn die Tür oder die Türdichtungen beschädigt sind, darf der Ofen nicht betrieben werden, bis er von einer kompetenten Person repariert wurde.
28. Das Gerät darf nicht mit einer externen Zeitschaltuhr oder einem individuellen Fernbediensystem betrieben werden.
29. Das Mikrowellengerät ist nur für den Hausgebrauch und nicht für den gewerblichen Gebrauch bestimmt.
30. Entfernen Sie niemals den Abstandshalter hinten oder an den Seiten, da dieser einen Mindestabstand zur Wand für die Luftzirkulation gewährleistet.
31. Sichern Sie den Drehteller, bevor Sie das Gerät bewegen, um Schäden zu vermeiden.
32. **VORSICHT!**-Es ist gefährlich, das Gerät nur von einem Fachmann reparieren oder warten zu lassen, da unter diesen Umständen die Abdeckung entfernt werden muss, die den Schutz vor Mikrowellenstrahlung sicherstellt. Dies gilt auch für das Auswechseln des Netzkabels oder der Beleuchtung. Schicken Sie das Gerät in diesen Fällen an unsere Servicestelle.
33. Der Mikrowellenherd ist nur zum Auftauen, Garen und Dämpfen von Speisen bestimmt.
34. Verwenden Sie Handschuhe, wenn Sie erhitzte Speisen entnehmen.
35. Vorsicht! Beim Öffnen von Deckeln oder beim Einwickeln von Folien entweicht Dampf.

36. Dieses Gerät darf von Kindern ab 8 Jahren und Personen mit eingeschränkten körperlichen, sensorischen oder geistigen Fähigkeiten oder ohne Erfahrung und Wissen nur benutzt werden, wenn sie beaufsichtigt werden oder Anweisungen für den sicheren Gebrauch des Geräts erhalten und die damit verbundenen Gefahren verstanden haben. Kinder dürfen keinesfalls mit dem Gerät spielen. Reinigung und Wartung darf nicht von Kindern durchgeführt werden, es sei denn, sie sind über 8 Jahre alt und werden überwacht.
37. Sollte Rauch auftreten, muss das Gerät sofort ausgeschaltet oder der Netzstecker gezogen werden und die Tür geschlossen bleiben, um Flammen zu ersticken.

## MONTAGEANLEITUNG

1. Vergewissern Sie sich, dass alle Verpackungsmaterialien von der Innenseite der Tür entfernt sind.
2. **WARNUNG:** Überprüfen Sie den Ofen auf Beschädigungen, wie Fehlausrichtungen oder verbogene Türen, beschädigte Türdichtungen und Dichtungsflächen, gebrochene oder lose Türscharniere und Verriegelungen sowie Dellen innerhalb des Hohlraums oder an der Tür. Benutzen Sie den Ofen nicht und wenden Sie sich an qualifiziertes Servicepersonal, falls Beschädigungen vorhanden sind.
3. Dieser Mikrowellenofen ist auf einer ebenen, stabilen Fläche aufzustellen, die seinem Gewicht, einschließlich der schwersten darin wahrscheinlich zubereiteten Lebensmittel, standhalten kann.
4. Stellen Sie den Ofen weder dort auf, wo Hitze, Feuchtigkeit oder hohe Luftfeuchtigkeit erzeugt werden, noch in der Nähe brennbarer Materialien.
5. Für einen ordnungsgemäßen Betrieb muss der Ofen eine ausreichende Belüftung haben. Lassen Sie 20 cm über dem Backofen, 10 cm auf der Rückseite und 5 cm auf beiden Seiten Platz. Die Geräteöffnungen dürfen weder abgedeckt noch blockiert werden. Entfernen Sie die Gerätefüße nicht
6. Benutzen Sie den Backofen nur, wenn Glasteller, Rollenträger und Welle korrekt positioniert sind.
7. Vergewissern Sie sich, dass das Netzkabel unbeschädigt ist und weder unter dem Ofen noch über eine heiße oder scharfe Oberfläche verlegt wurde.
8. Die Steckdose muss leicht zugänglich sein, damit der Stecker im Notfall leicht abgezogen werden kann.
9. Benutzen Sie den Ofen nicht im Freien.

# FUNKSTÖRUNG

Der Betrieb des Mikrowellenofens kann Störungen an Ihrem Radio, Fernseher oder ähnlichen Geräten verursachen. Störungen können durch folgende Maßnahmen reduziert oder beseitigt werden:

1. Tür und Dichtfläche des Ofens reinigen.
2. Richten Sie die Empfangsantenne von Radio oder Fernsehen neu aus.
3. Richten Sie den Mikrowellenofen in Bezug auf den Empfänger anders aus.
4. Bewegen Sie den Mikrowellenofen vom Empfänger weg.
5. Schließen Sie den Mikrowellenofen an einen anderen Stromkreis als den Empfänger an.

# PRINZIP DES MIKROWELLENGARENS

1. Ordnen Sie das Gargut sorgfältig an. Legen Sie die dicksten Stücke außen in die Schale.
2. Beachten Sie die Garzeit. Garen Sie für die kürzeste angegebene Zeit und verlängern Sie bei Bedarf. Stark übergarte Lebensmittel können rauchen oder sich entzünden.
3. Decken Sie das Gargut ab. Dies verhindert Spritzer und unterstützt ein gleichmäßiges Garen
4. Wenden Sie das Gargut einmal während der Mikrowellenzubereitung, damit Lebensmittel wie Geflügel und Hamburger schneller gar werden. Große Stücke wie Braten müssen mindestens einmal gewendet werden.
5. Schichten Sie Gargut wie Fleischbällchen zur Hälfte des Garvorgangs sowohl von oben nach unten als auch von der Mitte des Tellers nach außen um.

# HINWEISE ZUR ERDUNG DES GERÄTS

Dieses Gerät muss geerdet sein. Anschlusskabel und Stecker dieses Ofen verfügen über einen Erdungsleiter. Das Gerät muss an einer ordnungsgemäß installierten und geerdeten Steckdose angeschlossen werden. Bei einem Kurzschluss verringert die

Erdung die Gefahr eines Stromschlags, indem ein Fluchtdraht für den elektrischen Strom bereitgestellt wird. Der Ofen sollte möglichst an einem eigenen, separaten Stromkreis angeschlossen werden. Die Benutzung von Hochspannung ist gefährlich und kann zu einem Brand oder einem anderen Unfall führen, der Ofenschäden verursacht.

**WARNUNG** Bei unsachgemäßer Verwendung des Erdungssteckers besteht die Gefahr eines elektrischen Schlages.

**Hinweis:**

1. Bei Fragen zur Erdung oder Elektroinstallation wenden Sie sich an einen qualifizierten Elektriker oder Servicetechniker.
2. Weder der Hersteller noch der Händler haften für Schäden am Ofen oder Personenschäden, wenn die Hinweise für den Stromanschluss nicht beachtet werden.

Die Drähte in diesem Hauptkabel haben folgenden Farbcode:

**Grün und Gelb = ERDE**

**Blau = NULLLEITER**

**Braun = PHASE**

**BEVOR SIE DEN KUNDENDIENST  
RUFEN**

Wenn der Ofen nicht funktioniert:

1. Stellen Sie sicher, dass der Ofen richtig angeschlossen ist. Ist dies nicht der Fall, ziehen Sie den Stecker aus der Steckdose, warten 10 Sekunden und schließen ihn dann wieder an.
2. Prüfen Sie, ob eine Sicherung durchgebrannt ist oder der Hauptschalter ausgelöst wurde. Falls diese korrekt zu funktionieren scheinen, überprüfen Sie die Steckdose mit einem anderen Gerät.
3. Stellen Sie sicher, dass das Bedienfeld korrekt programmiert und der Timer eingestellt ist.
4. Vergewissern Sie sich, dass die Tür sicher geschlossen ist und in das Türsicherheitsschlosssystem eingreift. Andernfalls kann die Mikrowellenenergie im Herd nicht genutzt werden.

WENN KEINER DER OBEN GENANNTEN PUNKTE DIE SITUATION BEHEBT, WENDEN SIE SICH AN EINEN QUALIFIZIERTEN TECHNIKER. VERSUCHEN SIE NICHT, DEN OFEN SELBST EINZUSTELLEN ODER ZU REPARIEREN.

# GEEIGNETES KOCHGESCHIRR

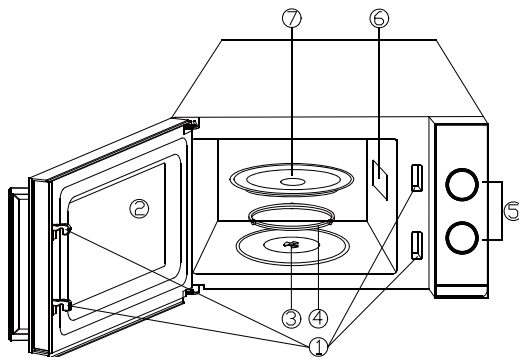
1. Mikrowellen können Metall nicht durchdringen. Nur Utensilien benutzen, die auch für den Gebrauch in der Mikrowelle geeignet sind. Metallbehälter für Speisen und Getränke sind zum Garen in der Mikrowelle nicht erlaubt. Diese Anforderung gilt nicht, wenn der Hersteller Größe und Form von Metallbehältern angibt, die für das Kochen in der Mikrowelle geeignet sind.
2. Mikrowellen können kein Metall durchdringen. Daher sollten die benutzten Gegenstände oder das Geschirr kein Metall aufweisen.
3. Verwenden Sie beim Mikrowellengaren keine recycelten Papierprodukte, weil diese kleine Metallfragmente enthalten können, die Funken und/oder Brände verursachen können.
4. Benutzen Sie rundes/ovales statt quadratisches/längliches Geschirr, weil Speisen in Ecken zum Überkochen neigen.
5. Um ein Überkochen freiliegender Bereiche zu verhindern, können schmale Streifen aus Aluminiumfolie verwendet werden. Aber seien Sie vorsichtig! Nehmen Sie nicht zu viel und halten Sie einen Abstand von ca. 2,5 cm zwischen Folie und Ofenwand.

Die folgende Liste ist ein allgemeiner Leitfaden, der Ihnen bei der Auswahl der richtigen Utensilien hilft.

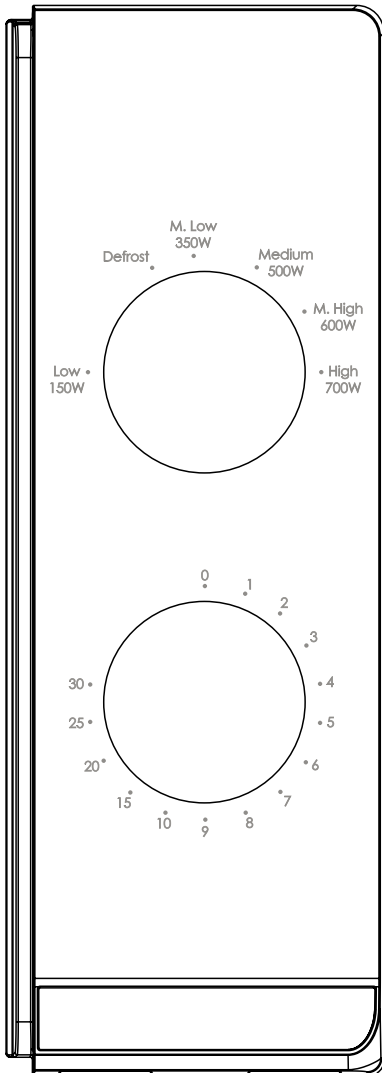
KOCHGESCHIRR	MIKROWELLE
Hitzebeständiges Glas	Ja
Nicht hitzebeständiges Glas	Nr.
Hitzebeständige Keramik	Ja
Mikrowellenfestes Kunststoffgeschirr	Ja
Küchenpapier	Ja
Metallschale	Nein
Metallgestell	Nein
Aluminiumfolie + Folienbehältnis	Nein

# TEILEBEZEICHNUNG

1. Türsicherheitstürverriegelung
2. Ofenfenster
3. Welle
4. Walzenring
5. Bedienfeld
6. Wellenleiter  
(Bitte entfernen Sie nicht die  
Glimmerplatte, die den  
Wellenleiter abdeckt)
7. Glasteller



# BEDIENFELD



Das Bedienfeld besteht aus zwei Funktionsoperatoren. Einer ist ein Timer-Drehknopf, der andere ein Leistungsdrehknopf.

## **LEISTUNGS-/AKTIONSWAHLSCHALTER**

Mit diesem Bedienknopf wählen Sie eine Kochleistungsstufe. Es ist der erste Schritt, um eine Kochsession zu starten.

## **TIMER-KNOPF**

Bietet visuelle Zeiteinstellungen, mit denen Sie durch einfaches Drehen des Daumens die gewünschte Garzeit von bis zu 30 Minuten pro Garvorgang auswählen können.

## **GAREN IN DER MIKROWELLE**

Für das reine Garen in der Mikrowelle stehen sechs Leistungsstufen zur Verfügung, aus denen Sie eine auswählen können, die am besten für die jeweilige Aufgabe geeignet ist.

Die Leistungsstufe erhöht sich mit dem Drehen des Knopfes im Uhrzeigersinn. Die Leistungsstufen können wie folgt klassifiziert werden:

	Strom-Ausgang	Beschreibung
1	700 W	HOHE
2	600 W	M.HOCH
3	500 W	MITTEL
4	350 W	M.NIEDRIG
5		DEFROST
6	150 W	NIEDRIG



# BETRIEB

So starten Sie eine Kochsession,

1. Geben Sie die Speisen in den Ofen und schließen Sie die Tür.
2. Drehen Sie den Power Selector, um eine Leistungsstufe auszuwählen.
3. Verwenden Sie den Timer-Drehknopf, um eine Garzeit einzustellen

## **HINWEIS:**

Sobald der Timer gedreht wird, beginnt der Ofen zu garen.

Wenn Sie eine Zeit von weniger als 2 Minuten wählen, drehen Sie den Timer über 2 Minuten hinaus und kehren dann zur richtigen Zeit zurück.

**VORSICHT: STETS TIMER AUF NULLSTELLUNG ZURÜCKSTELLEN**, wenn das Essen entfernt wird

aus dem Ofen, bevor die eingestellte Garzeit beendet ist oder wenn der Ofen nicht benutzt wird. Um den Ofen während des Garvorgangs zu stoppen, drücken Sie die Türentriegelungstaste oder öffnen Sie die Tür am Griff.

# REINIGUNG UND PFLEGE

1. Schalten Sie den Ofen aus und ziehen Sie vor dem Reinigen den Netzstecker aus der Steckdose.
2. Halten Sie das Innere des Ofens sauber. Wenn Lebensmittelspritzer oder verschüttete Flüssigkeiten an Ofenwänden haften, wischen Sie sie mit einem feuchten Tuch ab. Wenn der Ofen sehr verschmutzt ist, können Sie ein mildes Reinigungsmittel verwenden. Vermeiden Sie die Verwendung von Sprays und harten Reinigern, da sie die Türoberfläche verfärben oder stumpf machen können.
3. Die Außenflächen sollten mit einem feuchten Tuch gereinigt werden. Um Beschädigungen der Komponenten im Ofeninneren zu vermeiden, darf kein Wasser in die Lüftungsöffnungen eindringen.
4. Wischen Sie die Tür und das Fenster auf beiden Seiten, die Türdichtungen und angrenzenden Teile häufig mit einem feuchten Tuch ab, um Verschüttungen oder Spritzer zu entfernen. Verwenden Sie keinen abrasiven Reiniger.
5. Ein Dampfreiniger darf nicht verwendet werden.
6. Lassen Sie das Bedienfeld nicht nass werden. Reinigen Sie mit einem weichen, feuchten Tuch. Lassen Sie beim Reinigen des Bedienfelds die Ofentür offen, um ein versehentliches Einschalten des Ofens zu verhindern.

7. Wischen Sie Feuchtigkeit, die sich innen oder außen an der Ofentür gebildet hat, mit einem weichen Tuch ab. Dies kann auftreten, wenn das Mikrowellengerät unter hoher Luftfeuchtigkeit betrieben wird. Und das ist normal.
8. Gelegentlich muss der Glasteller zum Reinigen entnommen werden. Reinigen Sie den Teller in warmem Seifenwasser oder einer Geschirrspülmaschine.
9. Rollenring und Ofenboden sollten regelmäßig gereinigt werden, um übermäßige Geräusche zu vermeiden. Wischen Sie die Unterseite des Ofens mit einem milden Reinigungsmittel sauber. Der Rollenring kann in mildem Seifenwasser oder einem Geschirrspüler gereinigt werden. Achten Sie darauf, den Rollenring nach dem Reinigen wieder richtig zu platzieren.
10. Um Gerüche im Ofen zu beseitigen, stellen Sie eine Tasse Wasser mit dem Zitronensaft und -abrieb in einer tiefen Mikrowellenschale 5 Minuten lang in die Mikrowelle. Anschließend gründlich auswischen und mit einem weichen Tuch trockenreiben.
11. Falls die Ofenleuchte ausgetauscht werden muss, wenden Sie sich bitte an den Händler.
12. Der Ofen sollte regelmäßig gereinigt und jegliche Ablagerungen entfernt werden. Bei mangelhafter Reinigung könnte die Oberfläche zerstört werden, was sich negativ auf die Lebensdauer auswirkt und zu gefährlichen Situationen führen kann.
13. Bitte entsorgen Sie dieses Gerät nicht im Hausmüll, sondern bei der zuständigen kommunalen Entsorgungsstelle.

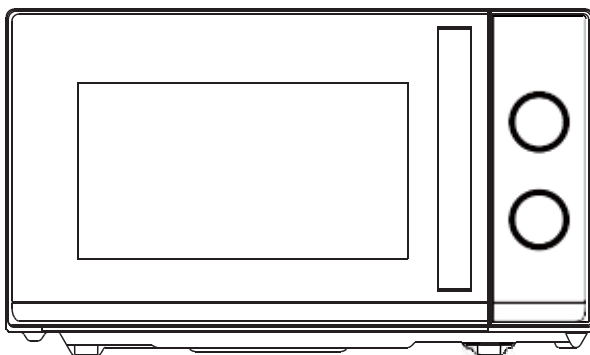


Dieses Gerät ist entsprechend der EU-Richtlinie 2012/19/EG für Elektro- und Elektronik-Altgeräte 2013 für Elektro- und Elektronik-Geräte (WEEE) gekennzeichnet. Unter die WEEE fallende Elektro- und Elektronik-Altgeräte enthalten sowohl umweltschädliche Stoffe (die negativen Folgen für die Umwelt verursachen) als auch wiederverwendbare Grundstoffe. Es ist wichtig, dass die Elektro- und Elektronik-Altgeräte einer spezifischen Behandlung unterzogen werden, um die Schadstoffe korrekt zu entfernen und zu entsorgen und alle Materialien zurückzugewinnen. Jeder kann dazu beitragen, dass Altelektrogeräte nicht zu einem Umweltproblem werden. Daher sollten unbedingt einige Grundregeln beachtet werden:

- Elektro- und Elektronik-Altgeräte dürfen nicht als Hausmüll entsorgt werden;
- Elektro- und Elektronik-Altgeräte sollten in speziellen Sammelstellen entsorgt werden, die von der Stadtverwaltung oder einem registrierten Unternehmen verwaltet werden.


In vielen Ländern sind inländische Sammlungen für große Elektro- und Elektronik-Altgeräte verfügbar. Bei Kauf eines neuen Geräts können Altgeräte möglicherweise an Händler, die einen kostenlosen 1-zu-1-Umtausch vornehmen müssen, zurückgegeben werden, solange das Gerät dem selben Typ entspricht und über die gleichen Funktionen wie das bereitgestellte Gerät verfügt.

# Mode d'emploi du micro-ondes



Modèle : CMW20TNMB

Veuillez lire attentivement ces instructions avant d'installer et d'utiliser le four.

<b>Haier Europe</b> <small>CANOPY</small>  <small>Haier</small>	<b>PT</b> ☎ 707 200 188 210 010 773	<b>IT</b> ☎ 02 400 48 200	<b>ES</b> ☎ 902 100 150 943 914 150	<b>DE</b> ☎ 0800 500 48 48
<b>BE</b> ☎ <b>LU</b> ☎ 02 752 94 10	<b>NL</b> ☎ 33 422 4000	<b>AT</b> ☎ 0820 220 224	<b>GR</b> ☎ 801 11 50 50 50	<b>CH</b> ☎ 0848 780 780

70017948

# SOMMAIRE

CARACTÉRISTIQUES.....	2
LES PRÉCAUTIONS À PRENDRE POUR ÉVITER UN EXCÈS D'EXPOSITION AUX MICRO-ONDES.....	2
CONSIGNES DE SÉCURITÉ IMPORTANTES .....	3
GUIDE D'INSTALLATION .....	6
INTERFERENCES RADIO.....	7
LES PRINCIPES DE LA CUISSON PAR MICRO-ONDES.....	7
INSTRUCTIONS DE MISE À LA TERRE .....	7
AVANT D'APPELER LE SERVICE CLIENT .....	8
GUIDE DES USTENSILES .....	9
NOMS DES ARTICLES .....	10
PANNEAU DE CONTRÔLE .....	11
SELECTEUR DE PUISSANCE/ACTION .....	11
BOUTON DE MINUTERIE.....	11
CUISSON AU MICRO-ONDES.....	11
FONCTIONNEMENT .....	12
NETTOYAGE ET ENTRETIEN .....	12

# CARACTÉRISTIQUES

Consommation d'énergie :	230-240V/50 Hz, 1200 W (micro-ondes)
Puissance nominale de sortie du micro-ondes :	700 W
Fréquence de fonctionnement :	2450MHz
Dimensions extérieures :	262mm(H)×452mm(W)×346mm(D)
Dimensions de la cavité du four :	198mm(H)×315mm(W)×297mm(D)
Capacité du four :	Compact, 20 litres
Poids net	Env. 10,8 kg

## LES PRÉCAUTIONS À PRENDRE POUR ÉVITER UN EXCÈS D'EXPOSITION AUX MICRO- ONDES

1. N'essayez pas de faire fonctionner le four avec la porte ouverte, car le fonctionnement avec la porte ouverte peut entraîner une exposition dangereuse aux micro-ondes. Il est important de ne pas forcer ou altérer les dispositifs de verrouillage de sécurité.
2. Ne placez aucun objet entre la face avant du four et la porte et ne laissez pas la saleté ou les résidus de nettoyage s'accumuler sur les surfaces d'étanchéité.
3. Ne faites pas fonctionner le four s'il est endommagé. Il est très important que la porte du four ferme correctement et qu'il n'y ait pas de dommages à la
  - a. Porte (pliée),
  - b. aux charnières et aux loquets (cassés ou desserrés),
  - c. aux joints d'étanchéité de la porte et aux surfaces d'étanchéité.
4. Le four ne doit pas être réglé ou réparé par quiconque, à l'exception du personnel de service dûment qualifié.

# CONSIGNES DE SÉCURITÉ IMPORTANTES

Lors de l'utilisation d'appareils électriques, des précautions de base doivent être prises, notamment les suivantes :

**AVERTISSEMENT !** Pour réduire les risques de brûlures, de chocs électriques, d'incendie, de blessures ou d'excès d'exposition aux micro-ondes :

1. N'utilisez cet appareil que pour l'usage auquel il est destiné, tel que décrit dans le manuel. N'utilisez pas de produits chimiques ou de vapeurs corrosives dans cet appareil. Ce type de four est spécialement conçu pour chauffer, cuire ou sécher des aliments. Il n'est pas conçu pour une utilisation industrielle ou de laboratoire.
2. Ne faites pas fonctionner le four lorsqu'il est vide.
3. N'utilisez pas cet appareil si son cordon ou sa fiche est endommagé, s'il ne fonctionne pas correctement ou s'il a été endommagé ou fait tomber. Si le câble d'alimentation est endommagé, il doit être remplacé par le fabricant, son agent d'entretien ou des personnes possédant le même type de qualification, afin d'éviter tout danger.
4. **ATTENTION !** --Ne permettez aux enfants d'utiliser le four sans surveillance que lorsque des instructions adéquates leur ont été dispensées de sorte que ces enfants soient capables d'utiliser le four de manière sûre et qu'ils aient compris les dangers impliqués par une utilisation non appropriée.
5. Pour réduire le risque d'incendie dans la cavité du four :
  - Lorsque vous faites chauffer des aliments dans un récipient en plastique ou en papier, gardez un œil sur le four en raison du risque d'inflammation.
  - Retirez les attaches métalliques des sacs en papier ou en plastique avant de placer ces derniers dans le four.
  - Si vous remarquez de la fumée, éteignez ou débranchez l'appareil et garder la porte fermée afin d'étouffer toute flamme.
  - N'utilisez pas la cavité à des fins de stockage. Ne laissez pas de produits en papier, d'ustensiles de cuisine ou d'aliments dans la cavité lorsque le four n'est pas utilisé.
  - Le four à micro-ondes est destiné à chauffer des aliments et des boissons. Le séchage des aliments ou des vêtements et le chauffage des coussins chauffants, des pantoufles, des éponges, des tissus humides et autres peuvent entraîner un risque de blessure, d'inflammation ou d'incendie.
6. **ATTENTION !**--Les liquides ou autres nourritures ne doivent pas être chauffés dans des récipients fermés, car ils risqueraient d'exploser.

7. Le réchauffement au micro-ondes de boissons peut entraîner une forte ébullition, soyez donc prudent au moment de la manipulation du récipient.
8. Ne faites pas frire d'aliments dans le four. L'huile chaude peut endommager les pièces du four et les ustensiles de cuisine, ou même provoquer des brûlures sur la peau.
9. Les œufs dans leur coquille et les œufs durs entiers ne doivent pas être chauffés dans le four à micro-ondes, car ils risqueraient d'exploser, même après que le micro-ondes se soit éteint.
10. Percez les aliments à peau épaisse comme les pommes de terre, les courges entières, les pommes et les châtaignes avant de les faire cuire.
11. Le contenu des biberons et des pots pour bébé doit être remué ou agité et la température de l'aliment doit être vérifiée avant de servir, afin d'éviter toute brûlure.
12. Les ustensiles de cuisson peuvent devenir très chauds à cause du transfert de chaleur des aliments chauffés. Des gants de cuisine peuvent être nécessaires pour manipuler l'ustensile.
13. Les ustensiles doivent être vérifiés pour contrôler qu'ils sont adaptés à l'utilisation au four à micro-ondes.
14. **AVERTISSEMENT** ! Il est dangereux pour toute personne autre qu'une personne formée d'effectuer des interventions de service ou de réparation qui impliquent le retrait du couvercle de protection contre l'exposition aux micro-ondes.
15. Ce produit est un équipement ISM de classe B du groupe 2. La définition du groupe 2 qui contient tous les équipements ISM (Industriels, Scientifiques et Médicaux) dans lesquels l'énergie radiofréquence est intentionnellement générée et/ou utilisée sous forme de rayonnement électromagnétique pour le traitement des matériaux, et les équipements d'électroérosion. Pour les équipements de classe B, il s'agit d'équipements adaptés à une utilisation dans des établissements domestiques et dans des établissements directement connectés à un réseau d'alimentation électrique basse tension qui alimente des bâtiments à usage domestique.
16. L'utilisation de cet appareil est interdite à toute personne (y compris les enfants) aux capacités physiques et mentales réduites, ou dépourvues d'expérience dans l'utilisation d'appareillages électriques, à moins qu'elles ne soient surveillées ou instruites par des personnes adultes et responsables pour leur sécurité.
17. Surveillez les enfants afin qu'ils ne jouent pas avec l'appareil.
18. Le four à micro-ondes n'est utilisé que de manière autonome.



19. **ATTENTION !**--N'installez pas le four au-dessus d'une table de cuisson ou d'un autre appareil produisant de la chaleur. Dans le cas contraire, il risquerait d'être endommagé et la garantie serait annulée.
20. Le four à micro-ondes ne doit pas être installé dans une armoire.
21. **AVERTISSEMENT :** l'appareil et ses parties accessibles chauffent pendant l'utilisation.
22. **AVERTISSEMENT !**--Les pièces accessibles peuvent devenir très chaudes pendant l'utilisation. Les jeunes enfants doivent être tenus à l'écart.
23. Pendant l'utilisation, les appareils deviennent chauds. Il faut veiller à éviter de toucher les éléments chauffants à l'intérieur du four, pour les cuisinières et les fours .
24. La température des surfaces accessibles peut monter très haut lorsque l'appareil fonctionne.
25. L'appareil doit être placé contre un mur.
26. L'appareil ne doit pas être utilisé par des enfants ou des personnes ayant des capacités physiques, sensorielles ou mentales réduites, ou manquant d'expérience et de connaissances, sauf s'ils sont surveillés ou qu'ils ont été instruits sur le fonctionnement de l'appareil.
27. **AVERTISSEMENT !**--Si la porte ou les joints de porte sont endommagés, le four ne doit pas être utilisé tant qu'il n'a pas été réparé par une personne qualifiée.
28. Les appareils ne sont pas destinés à être utilisés au moyen d'une minuterie externe ou d'un système de commande à distance séparé.
29. Le four à micro-ondes est réservé à un usage domestique et non à un usage commercial.
30. Ne jamais retirer le calage d'écartement du mur à l'arrière ou sur les côtés, car il assure un minimum de circulation de l'air.
31. Veuillez sécuriser le plateau tournant avant de déplacer l'appareil pour éviter d'abîmer l'appareil .
32. **ATTENTION !**--Il est dangereux de faire réparer ou d'entretenir l'appareil par une personne non qualifiée ou non experte, car dans ces circonstances, il faut retirer le couvercle qui assure la protection contre les radiations micro-ondes. Cela s'applique également au changement du cordon d'alimentation ou de l'éclairage. Dans ce cas, envoyez l'appareil à notre centre d'assistance.
33. Le four à micro-ondes est uniquement destiné à la décongélation, à la cuisson et à la cuisson à la vapeur d'aliments.
34. Utilisez des gants de cuisine si vous devez retirer des aliments chauds.
35. Attention ! De la vapeur s'échappe lorsque vous retirez le couvercle ou le film du récipient.

36. Cet appareil peut être utilisé par des enfants âgés de 8 ans et plus, par des personnes dont les capacités physiques, sensorielles ou mentales sont réduites ou par des personnes dénuées d'expérience et de connaissances, mais qui ont été informées sur la manière d'utiliser l'appareil en toute sécurité, si elles comprennent les risques impliqués. Les enfants ne doivent pas jouer avec l'appareil. Le nettoyage et l'entretien par l'utilisateur ne doivent pas être effectués par des enfants, sauf s'ils sont âgés de 8 ans et plus et qu'ils sont surveillés.
37. Si de la fumée est émise, éteignez ou débranchez l'appareil et gardez la porte fermée afin d'étouffer les flammes.

## GUIDE D'INSTALLATION

1. Veillez à ce que tous les matériaux d'emballage soient extraits de l'intérieur de la porte.
2. **AVERTISSEMENT** : AVERTISSEMENT !--Vérifiez que le four n'est pas endommagé, par exemple que la porte n'est pas mal alignée ou déformée, que les joints de porte et la surface d'étanchéité ne soient pas endommagés, que les charnières et les loquets de la porte ne soient pas cassés ou desserrés et que l'intérieur de la cavité ou la porte ne soient pas bosselés. En cas de dommage, ne faites pas fonctionner le four et contactez le personnel qualifié du service après-vente.
3. Ce four à micro-ondes doit être installé sur une surface plane et stable qui supporte son poids et les aliments les plus lourds susceptibles d'être cuits à l'intérieur.
4. N'installez pas le four dans un emplacement où de la chaleur et de l'humidité sont susceptibles d'être générées, ni près de matériaux combustibles.
5. Pour un fonctionnement correct, le four doit avoir un débit d'air suffisant. Prévoyez 20 cm d'espace au-dessus du four, 10 cm à l'arrière et 5 cm de chaque côté. Ne couvrez ni ne bloquez aucune ouverture de l'appareil. Ne démontez pas les pieds de l'appareil.
6. Ne faites pas fonctionner le four si le plateau en verre, le support tournant et l'arbre ne sont pas en bonne position.
7. Assurez-vous que le cordon d'alimentation n'est pas endommagé et qu'il ne passe pas sous le four ou sur une surface chaude ou coupante.
8. La prise doit être facilement accessible afin de pouvoir débrancher l'appareil en cas d'urgence.
9. N'utilisez pas le four à l'extérieur.

# INTERFERENCES RADIO

Le fonctionnement du four à micro-ondes peut provoquer des interférences avec votre radio, votre télévision ou tout autre équipement semblable. Lorsqu'il y a interférence, elle peut être réduite ou éliminée en prenant les mesures suivantes :

1. Nettoyez la porte et la surface d'étanchéité du four.
2. Réorientez l'antenne de réception de la radio ou de la télévision.
3. Déplacez le four à micro-ondes par rapport au récepteur.
4. Éloignez le four à micro-ondes du récepteur.
5. Branchez le four à micro-ondes dans une prise différente de sorte que le four à micro-ondes et le récepteur soient sur des circuits différents.

# LES PRINCIPES DE LA CUISSON PAR MICRO-ONDES

1. Disposez la nourriture avec soin. Placez les morceaux les plus épais vers l'extérieur du plat.
2. Regardez le temps de cuisson. Cuisinez pendant la durée la plus courte indiquée et prolongez si nécessaire. Les aliments excessivement cuits peuvent faire de la fumée ou s'enflammer.
3. Couvrez les aliments pendant la cuisson. Les couvercles empêchent les éclaboussures et aident les aliments à cuire uniformément.
4. Retournez les aliments une fois pendant la cuisson au micro-ondes, pour en accélérer la cuisson s'il s'agit d'aliments tels que du poulet ou des hamburgers. Les gros aliments comme les rôtis doivent être retournés au moins une fois .
5. Réorganisez les aliments, tels que les boulettes de viande, à mi-cuisson, en plaçant les morceaux du dessous dessus et vice versa et les morceaux du centre du plat vers l'extérieur et vice versa.

# INSTRUCTIONS DE MISE À LA TERRE

Cet appareil doit être mis à la terre. Ce four est équipé d'un cordon ayant un fil de terre avec une prise de terre. Il doit être branché dans une prise murale correctement

installée et avec mise à la terre. En cas de court-circuit électrique, la mise à la terre réduit le risque de choc électrique en fournissant un fil de fuite pour le courant électrique. Il est recommandé de prévoir un circuit séparé ne desservant que le four. L'utilisation d'un courant de haute tension est dangereuse et peut entraîner un incendie ou un autre accident provoquant des dommages au four.

**AVERTISSEMENT !** Une utilisation incorrecte de la prise de terre peut entraîner un risque de choc électrique.

**Remarque :**

1. Si vous avez des questions concernant la mise à la terre ou les instructions électriques, consultez un électricien qualifié ou une personne du service d'assistance.
2. Ni le fabricant ni le revendeur ne peuvent être tenus pour responsables des dommages causés au four ou des blessures corporelles résultant du non-respect des procédures de raccordement électrique.

Les fils de ce câble principal sont colorés selon le code suivant :

**Vert et jaune = TERRE**

**Bleu = NEUTRE**

**Marron = SOUS TENSION**

## **AVANT D'APPELER LE SERVICE CLIENT**

Si le four ne fonctionne pas :

1. Vérifiez que le four est bien branché. Si ce n'est pas le cas, débranchez la fiche de la prise, attendez 10 secondes, et rebranchez-la en toute sécurité.
2. Vérifiez si un fusible ou le disjoncteur principal a sauté. S'ils semblent fonctionner correctement, testez la prise avec un autre appareil.
3. Vérifiez que le panneau de commande est correctement programmé et que la minuterie est réglée.
4. Vérifiez que la porte est bien fermée en engageant le système de verrouillage de sécurité de la porte. Sinon, l'énergie des micro-ondes ne circulera pas dans le four.

**SI AUCUN DES ÉLÉMENTS CI-DESSUS NE PERMET DE CORRIGER LA SITUATION, ALORS CONTACTEZ UN TECHNICIEN QUALIFIÉ. N'ESSAYEZ PAS DE RÉGLER OU DE RÉPARER LE FOUR PAR VOUS-MÊME.**

# GUIDE DES USTENSILES

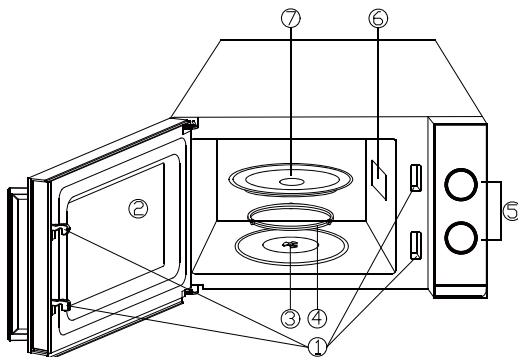
1. Les micro-ondes ne peuvent pas contenir de métal. N'utilisez que des ustensiles adaptés aux fours à micro-ondes. Les récipients métalliques pour les aliments et les boissons ne sont pas autorisés pendant la cuisson au micro-ondes. Cette exigence n'est pas applicable si le producteur précise la taille et la forme des récipients métalliques adaptés à la cuisson au micro-ondes.
2. Le micro-ondes ne peut pas pénétrer dans le métal, c'est pourquoi les ustensiles en métal ou les plats avec des garnitures métalliques ne doivent pas être utilisés.
3. N'utilisez pas de produits en papier recyclé pour la cuisson au micro-ondes, car ils peuvent contenir de petits fragments de métal qui peuvent provoquer des étincelles et/ou des incendies.
4. Les plats ronds ou ovales plutôt que carrés ou oblongs sont préférés, car dans les coins la nourriture a tendance à trop cuire.
5. Des bandes étroites de papier d'aluminium peuvent être utilisées pour éviter la cuisson excessive des morceaux les plus exposés. Mais attention, n'en utilisez pas trop et gardez une distance de 2,5 cm entre la feuille et la paroi de la cavité.

La liste ci-dessous est un guide général pour vous aider à choisir les bons ustensiles.

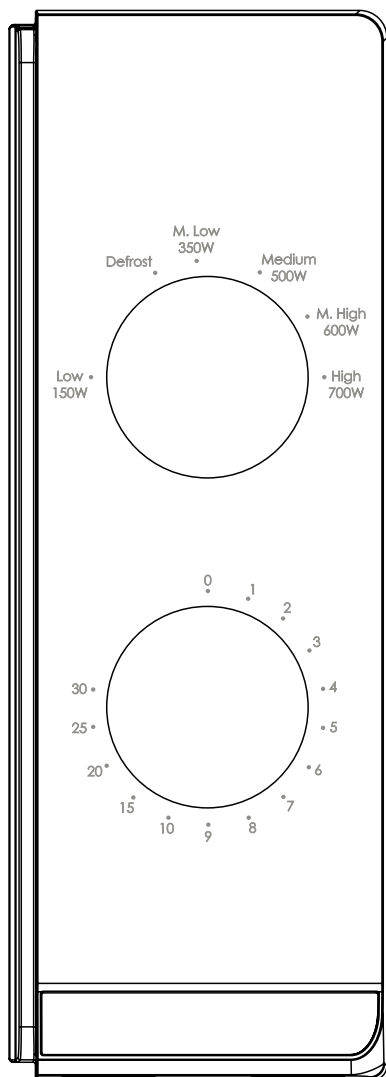
USTENSILES DE CUISINE	FOUR À MICRO-ONDES
Verre résistant à la chaleur	Oui
Verre non résistant à la chaleur	Non
Céramiques résistantes à la chaleur	Oui
Plat en plastique pour micro-ondes	Oui
Papier de cuisine	Oui
Plateau en métal	Non
Étagère en métal	Non
Feuilles et récipients en aluminium	Non

# NOMS DES ARTICLES

1. Système de verrouillage de sécurité de la porte
2. Fenêtre du four
3. Arbre
4. Anneau tournant
5. Panneau de commande
6. guide à ondes
7. Plateau en verre



# PANNEAU DE CONTRÔLE



Le panneau de commande est composé de deux opérateurs de fonction. L'un est un bouton de minuterie, et l'autre un bouton de puissance.

## **SELECTEUR DE PUISSANCE/ACTION**

Ce bouton de commande permet de choisir un niveau de puissance de cuisson. C'est la première étape pour commencer une séance de cuisine.

## **BOUTON DE MINUTERIE**

Il suffit de tourner le pouce pour sélectionner le temps de cuisson souhaité, jusqu'à 30 minutes par session de cuisson.

## **CUISSON AU MICRO-ONDES**

Pour la cuisson pure au micro-ondes, il existe six niveaux de puissance parmi lesquels vous pouvez choisir celui qui convient le mieux à la tâche à accomplir.

Le niveau de puissance augmente lorsque le bouton est tourné dans le sens des aiguilles d'une montre. Les niveaux de puissance peuvent être classés comme suit :

	Puissance de sortie :	Description
1	700 W	DÉLAI DE
2	600 W	M.HIGH
3	500 W	MED
4	350 W	M.LOW
5		DECONGELATION
6	150 W	BASSE

# FONCTIONNEMENT

Pour démarrer une session de cuisson,

1. Placez les aliments dans le four et fermez la porte.
2. Tournez le sélecteur de puissance pour sélectionner un niveau de puissance.
3. Utilisez le bouton de la minuterie pour régler le temps de cuisson

## REMARQUE :

Dès que la minuterie est tournée, le four commence à cuire.

Lorsque vous sélectionnez une durée inférieure à 2 minutes, faites tourner la minuterie au-delà de 2 minutes, puis revenez à la durée correcte.

**PRÉCAUTION : TOUJOURS REMETTRE LA MINUTERIE À LA POSITION ZÉRO** si les aliments sont retirés

du four avant la fin de la durée de cuisson programmée ou lorsque le four n'est pas utilisé. Pour arrêter le four en cours de cuisson, appuyez sur le bouton d'ouverture de la porte ou ouvrez la porte par la poignée.

# NETTOYAGE ET ENTRETIEN

1. Éteignez le four et retirez la fiche d'alimentation de la prise murale avant de le nettoyer.
2. Gardez l'intérieur du four propre. Lorsque des éclaboussures d'aliments ou des liquides renversés adhèrent aux parois du four, essuyez-les avec un chiffon humide. Utilisez un détergent doux si le four est très sale. Évitez d'utiliser des sprays et autres nettoyants agressifs, car ils risquent de tacher, de laisser des traces ou de ternir la surface de la porte.
3. Les surfaces extérieures doivent être nettoyées avec un chiffon humide. Pour éviter d'endommager les pièces de fonctionnement à l'intérieur du four, il ne faut pas laisser l'eau s'infiltrer dans les ouvertures de ventilation.
4. Essuyez fréquemment la porte et la fenêtre des deux côtés, les joints de la porte et les parties adjacentes avec un chiffon humide pour éliminer tout déversement ou éclaboussure. N'utilisez pas de nettoyant abrasif.
5. Les nettoyeurs à vapeur ne doivent pas être utilisés.
6. Ne laissez pas le panneau de commande mouillé. Nettoyez-le avec un chiffon doux et humide. Lorsque vous nettoyez le panneau de commande, laissez la porte du four ouverte, pour éviter que le four ne s'allume accidentellement.



7. Si de la vapeur s'accumule à l'intérieur ou à l'extérieur de la porte du four, essuyez-la avec un chiffon doux. Cela peut se produire lorsque le four à micro-ondes est utilisé dans des conditions d'humidité élevée. Et c'est normal.
8. Il est parfois utile de retirer le plateau en verre pour le nettoyer. Lavez le plateau dans de l'eau chaude et savonneuse ou dans un lave-vaisselle.
9. L'anneau tournant et le bas de la cavité du four doivent être nettoyés régulièrement pour éviter tout bruit excessif. Il suffit d'essuyer la surface inférieure du four avec un détergent doux. L'anneau du rouleau peut être lavé à l'eau douce et savonneuse ou au lave-vaisselle. Lorsque vous retirez l'anneau de rouleau du plancher de la cavité pour le nettoyer, veillez à le replacer dans la bonne position.
10. Éliminez les odeurs de votre four en combinant une tasse d'eau avec le jus et la peau d'un citron dans un bol profond pouvant être mis au micro-ondes, puis mettez-le au micro-ondes pendant 5 minutes. Essuyez et séchez avec un chiffon doux.
11. Lorsqu'il s'avère nécessaire de remplacer le voyant du four, veuillez consulter un revendeur pour le faire remplacer.
12. Le four doit être nettoyé régulièrement et tout dépôt d'aliments doit être retiré.
14. Si le four n'est conservé propre, la surface peut se détériorer, ce qui peut nuire à la durée de vie de l'appareil et entraîner un danger.
13. Veuillez ne pas jeter cet appareil dans les ordures ménagères ; il doit être déposé dans un centre de tri spécialement prévu par votre municipalité.



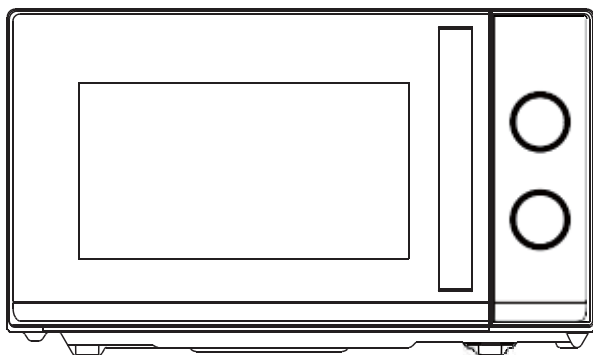
Cet appareil est conforme à la directive Européenne 2012/19/UE relative aux règlements 2013 sur les Déchets d'équipements électriques et électroniques (DEEE) (Waste Electrical and Electronic Equipment - WEEE). La catégorie DEEE recouvre à la fois les substances polluantes (pouvant avoir des retombées négatives sur l'environnement) et les composants de base (pouvant être réutilisés). Il est important que les DEEE subissent des traitements spécifiques pour éliminer et jeter correctement les polluants et récupérer tous les matériaux. Chaque individu peut jouer un rôle important en veillant à ce que les produits DEEE ne deviennent pas un problème pour l'environnement. Pour cela, il est essentiel de suivre quelques règles de base :

- les DEEE ne doivent pas être traités comme des déchets ménagers ;
- les DEEE doivent être amenés à des zones de collecte spécifiques gérées par le conseil municipal ou une société dûment enregistrée.

Dans de nombreux pays, des décharges domestiques peuvent être disponibles pour de grands DEEE. Lorsque vous achetez un nouvel appareil, l'ancien peut être retourné au détaillant qui est en devoir de le récupérer sans frais, à titre exceptionnel, tant que l'équipement est de type équivalent et a les mêmes fonctions que l'équipement fourni.



# Οδηγίες φούρνου μικροκυμάτων



Μοντέλο: CMW20TNMB

Διαβάστε προσεκτικά αυτές τις οδηγίες πριν από την εγκατάσταση  
και τη λειτουργία του φούρνου.

<b>Haier Europe</b> <small>Canopy</small> <small>Haier</small>	<b>PT</b> ☎ 707 200 188 210 010 773	<b>IT</b> ☎ 02 400 48 200	<b>ES</b> ☎ 902 100 150 943 914 150	<b>DE</b> ☎ 0800 500 48 48
<b>BE</b> ☎ 02 752 94 10	<b>NL</b> ☎ 33 422 4000	<b>AT</b> ☎ 0820 220 224	<b>GR</b> ☎ 801 11 50 50 50	<b>CH</b> ☎ 0848 780 780

70017948

# ΠΕΡΙΕΧΟΜΕΝΑ

ΤΕΧΝΙΚΑ ΧΑΡΑΚΤΗΡΙΣΤΙΚΑ.....	2
ΠΡΟΦΥΛΑΞΕΙΣ ΓΙΑ ΤΗΝ ΑΠΟΦΥΓΗ ΠΙΘΑΝΗΣ ΕΚΘΕΣΗΣ ΣΕ ΥΠΕΡΒΟΛΙΚΗ ΕΝΕΡΓΕΙΑ ΜΙΚΡΟΚΥΜΑΤΩΝ.....	2
ΣΗΜΑΝΤΙΚΕΣ ΟΔΗΓΙΕΣ ΑΣΦΑΛΕΙΑΣ .....	3
ΟΔΗΓΟΣ ΕΓΚΑΤΑΣΤΑΣΗΣ.....	6
ΡΑΔΙΟΗΛΕΚΤΡΙΚΕΣ ΠΑΡΕΜΒΟΛΕΣ .....	7
ΑΡΧΕΣ ΜΑΓΕΙΡΙΚΗΣ ΜΙΚΡΟΚΥΜΑΤΩΝ .....	7
ΟΔΗΓΙΕΣ ΓΕΙΩΣΗΣ.....	8
ΠΡΙΝ ΚΑΛΕΣΕΤΕ ΓΙΑ ΤΕΧΝΙΚΗ ΥΠΟΣΤΗΡΙΞΗ .....	8
ΟΔΗΓΟΣ ΣΚΕΥΩΝ.....	9
ΟΝΟΜΑΤΑ ΕΞΑΡΤΗΜΑΤΩΝ .....	10
ΠΙΝΑΚΑΣ ΕΛΕΓΧΟΥ .....	11
ΕΠΙΛΟΓΕΑΣ ΙΣΧΥΟΣ/ΔΡΑΣΗΣ.....	11
ΚΟΥΜΠΙ ΧΡΟΝΟΔΙΑΚΟΠΤΗ .....	11
ΜΑΓΕΙΡΕΜΑ ΜΙΚΡΟΚΥΜΑΤΩΝ .....	11
ΛΕΙΤΟΥΡΓΙΑ.....	12
ΚΑΘΑΡΙΣΜΟΣ ΚΑΙ ΦΡΟΝΤΙΔΑ .....	12

# ΤΕΧΝΙΚΑ ΧΑΡΑΚΤΗΡΙΣΤΙΚΑ

Κατανάλωση ισχύος:	230-240V/50 Hz, 1200 W (μικροκύματα)
Ονομαστική ισχύς μικροκυμάτων:	700 W
Συχνότητα λειτουργίας:	2450 MHz
Εξωτερικές διαστάσεις:	262 mm (Υ) × 452 mm (Π) × 346 mm (Β)
Διαστάσεις θαλάμου φούρνου:	198 mm (Υ) × 315 mm (Π) × 297 mm (Β)
Χωρητικότητα φούρνου:	Συμπαγές 20 λίτρα
Καθαρό βάρος:	Περίπου 10,8 kg

## ΠΡΟΦΥΛΑΞΕΙΣ ΓΙΑ ΤΗΝ ΑΠΟΦΥΓΗ ΠΙΘΑΝΗΣ ΕΚΘΕΣΗΣ ΣΕ ΥΠΕΡΒΟΛΙΚΗ ΕΝΕΡΓΕΙΑ ΜΙΚΡΟΚΥΜΑΤΩΝ

1. Μην επιχειρήσετε να λειτουργήσετε αυτό το φούρνο με την πόρτα ανοιχτή, καθώς η λειτουργία με ανοικτή την πόρτα μπορεί να έχει ως αποτέλεσμα επιβλαβή έκθεση στην ενέργεια μικροκυμάτων. Είναι σημαντικό να μην καταστρέψετε ή να μην επεμβαίνετε στις κλειδαριές ασφαλείας.
2. Μην τοποθετείτε αντικείμενα μεταξύ της πρόσοψης του φούρνου και της πόρτας και μην αφήνετε να συσσωρευθούν βρωμιά ή υπολείμματα καθαριστικών στις επιφάνειες σφράγισης.
3. Μην χρησιμοποιείτε το φούρνο εάν έχει υποστεί ζημιά. Είναι ιδιαίτερα σημαντικό η πόρτα του φούρνου να κλείνει σωστά και να μην υπάρχει ζημιά στην
  - a. Πόρτα (λυγισμένη),
  - b. Μεντεσέδες και μάνδαλα (σπασμένα ή χαλαρά),
  - c. Τσιμούχες θυρών και επιφάνειες σφράγισης.
4. Ο φούρνος δεν πρέπει να ρυθμίζεται ή να επισκευάζεται από κανέναν εκτός από κατάλληλα ειδικευμένο προσωπικό τεχνικής υποστήριξης.

# ΣΗΜΑΝΤΙΚΕΣ ΟΔΗΓΙΕΣ ΑΣΦΑΛΕΙΑΣ

Κατά τη χρήση ηλεκτρικών συσκευών πρέπει να τηρούνται οι βασικές προφυλάξεις ασφαλείας, συμπεριλαμβανομένων των ακόλουθων:

**ΠΡΟΕΙΔΟΠΟΙΗΣΗ!**--Για να μειώσετε τον κίνδυνο εγκαυμάτων, ηλεκτροπληξίας, πυρκαγιάς, τραυματισμών ή έκθεσης σε υπερβολική ενέργεια μικροκυμάτων:

1. Χρησιμοποιήστε αυτή τη συσκευή μόνο για τη χρήση για την οποία προορίζεται, όπως περιγράφεται στο εγχειρίδιο. Μην χρησιμοποιείτε διαβρωτικές χημικές ουσίες ή ατμούς σε αυτή τη συσκευή. Αυτός ο τύπος φούρνου έχει σχεδιαστεί ειδικά για να θερμαίνει, να μαγειρεύει ή να στεγνώνει τρόφιμα. Δεν έχει σχεδιαστεί για βιομηχανική ή εργαστηριακή χρήση.
2. Μην λειτουργείτε το φούρνο όταν είναι άδειος.
3. Μην χρησιμοποιείτε τη συσκευή εάν έχει φθαρεί το καλώδιο ή το βύσμα, εάν δεν λειτουργεί σωστά ή εάν έχει υποστεί ζημιά ή έχει πέσει. Εάν έχει προκληθεί ζημιά στο καλώδιο τροφοδοσίας, πρέπει να αντικατασταθεί από τον κατασκευαστή ή από τον εξουσιοδοτημένο τεχνικό του ή άτομο με παρόμοια τεχνική κατάρτιση έτσι ώστε να αποφευχθεί οποιοσδήποτε κίνδυνος.
4. **ΠΡΟΕΙΔΟΠΟΙΗΣΗ!**--Να επιτρέπεται στα παιδιά να χρησιμοποιούν το φούρνο χωρίς επίβλεψη μόνο όταν έχουν δοθεί επαρκείς οδηγίες έτσι ώστε το παιδί να μπορεί να χρησιμοποιεί το φούρνο με ασφαλή τρόπο και να κατανοεί τους κινδύνους ακατάλληλης χρήσης.
5. Για να μειωθεί ο κίνδυνος πυρκαγιάς μέσα στον θάλαμο του φούρνου:
  - Όταν θερμαίνετε τρόφιμα σε πλαστικό ή χάρτινο δοχείο, να παρακολουθείτε το φούρνο λόγω της πιθανότητας ανάφλεξης.
  - Αφαιρέστε τις συστροφές σύρματος από χάρτινες ή πλαστικές σακούλες πριν τοποθετήσετε τη σακούλα στο φούρνο.
  - Εάν παρατηρηθεί καπνός, απενεργοποιήστε ή αποσυνδέστε τη συσκευή και κρατήστε την πόρτα κλειστή για να καταπνίξετε τυχόν φλόγες.
  - Μην χρησιμοποιείτε τον θάλαμο για σκοπούς φύλαξης. Μην αφήνετε προϊόντα χαρτιού, μαγειρικά σκεύη ή τρόφιμα στην κοιλότητα όταν δεν χρησιμοποιούνται.
  - Ο φούρνος μικροκυμάτων προορίζεται για τη θέρμανση τροφίμων και ποτών. Το στέγνωμα τροφίμων ή ρούχων και η θέρμανση μαξιλαριών θέρμανσης, παντόφλες, σφουγγάρια, υγρά υφάσματα και παρόμοια μπορεί να οδηγήσουν σε κίνδυνο τραυματισμού, ανάφλεξης ή πυρκαγιάς.
6. **ΠΡΟΕΙΔΟΠΟΙΗΣΗ!**--Τα υγρά ή άλλα τρόφιμα δεν πρέπει να θερμαίνονται σε σφραγισμένα δοχεία, καθώς υπάρχει κίνδυνος έκρηξης.

7. Η θέρμανση του αναψυκτικού με μικροκύματα μπορεί να έχει ως αποτέλεσμα καθυστερημένο εκρηκτικό βρασμό, επομένως απαιτείται προσοχή κατά το χειρισμό του δοχείου.
8. Μην τηγανίζετε φαγητό στο φούρνο. Το καυτό λάδι μπορεί να βλάψει τα μέρη του φούρνου και τα σκεύη, ακόμη και να προκαλέσει εγκαύματα στο δέρμα.
9. Τα αυγά με το κέλυφός τους και τα ολόκληρα βρασμένα αυγά δεν πρέπει να θερμαίνονται σε φούρνους μικροκυμάτων, δεδομένου ότι ενδέχεται να εκραγούν ακόμη και μετά το τέλος της θέρμανσης με μικροκύματα.
10. Τρυπήστε τρόφιμα με βαριά δέρματα όπως πατάτες, ολόκληρα κολοκύθια, μήλα και κάστανα πριν από το μαγείρεμα.
11. Το περιεχόμενο των φιαλών σίτισης και των δοχείων για βρέφη θα πρέπει να ανακατεύεται ή να ανακινείται και η θερμοκρασία θα πρέπει να ελέγχεται πριν από το σερβίρισμα προκειμένου να αποφεύγονται εγκαύματα.
12. Τα μαγειρικά σκεύη μπορεί να θερμανθούν λόγω της θερμότητας που μεταφέρεται από τα θερμαινόμενα τρόφιμα. Μπορεί να χρειαστούν ποτηροθήκες για το χειρισμό των σκευών.
13. Τα εξαρτήματα θα πρέπει να ελέγχονται για να διασφαλίζεται ότι είναι κατάλληλα για χρήση σε φούρνο μικροκυμάτων.
14. **ΠΡΟΕΙΔΟΠΟΙΗΣΗ!**--Είναι επικίνδυνο για οποιονδήποτε εκτός από ένα εκπαιδευμένο άτομο να εκτελεί οποιαδήποτε εργασία συντήρησης ή επισκευής που περιλαμβάνει την αφαίρεση οποιουδήποτε καλύμματος που παρέχει προστασία από την έκθεση σε ενέργεια μικροκυμάτων.
15. Το προϊόν αυτό είναι εξοπλισμός ISM κατηγορίας Β της Ομάδας 2. Ο ορισμός της ομάδας 2 που περιλαμβάνει όλο τον εξοπλισμό ISM (Βιομηχανικός, Επιστημονικός και Ιατρικός) στον οποίο παράγεται σκόπιμα ενέργεια ραδιοσυχνοτήτων ή/και χρησιμοποιείται υπό μορφή ηλεκτρομαγνητικής ακτινοβολίας για την επεξεργασία υλικών, και τον εξοπλισμό διάβρωσης με σπινθήρες. Για εξοπλισμό κλάσης Β, ο εξοπλισμός είναι κατάλληλος για χρήση σε οικιακές εγκαταστάσεις και σε εγκαταστάσεις που συνδέονται άμεσα με δίκτυο παροχής ισχύος χαμηλής τάσης, το οποίο τροφοδοτεί κτίρια που χρησιμοποιούνται για οικιακή χρήση.
16. Αυτή η συσκευή δεν προορίζεται για χρήση από άτομα (συμπεριλαμβανομένων των παιδιών) με μειωμένες σωματικές, αισθητηριακές ή διανοητικές ικανότητες ή έλλειψη εμπειρίας και γνώσης, εκτός εάν τους έχουν δοθεί οδηγίες αναφορικά με τη χρήση της συσκευής από ένα άτομο που είναι υπεύθυνο για την ασφάλεια τους.
17. Τα παιδιά θα πρέπει να επιβλέπονται ώστε να διασφαλίζεται ότι δεν παίζουν με τη συσκευή.
18. Ο φούρνος μικροκυμάτων χρησιμοποιείται μόνο σε ανεξάρτητη θέση.

19. **ΠΡΟΕΙΔΟΠΟΙΗΣΗ!**--Μην τοποθετείτε φούρνο επάνω σε φούρνο μαγειρέματος ή άλλη συσκευή παραγωγής θερμότητας. Εάν τοποθετηθεί μπορεί να μπορεί να καταστραφεί και η εγγύηση δεν θα ισχύει.
20. Ο φούρνος μικροκυμάτων δεν πρέπει να τοποθετείται μέσα σε ένα ντουλάπι.
21. **ΠΡΟΕΙΔΟΠΟΙΗΣΗ:** η συσκευή και τα προσβάσιμα τμήματά της θερμαίνονται πολύ κατά τη διάρκεια της χρήσης.
22. **ΠΡΟΕΙΔΟΠΟΙΗΣΗ!**--Τα προσβάσιμα εξαρτήματα ενδέχεται να θερμανθούν κατά τη χρήση. Τα μικρά παιδιά πρέπει να κρατούνται μακριά.
23. Κατά την διάρκεια της χρήσης οι συσκευές θερμαίνονται πολύ. Πρέπει να λαμβάνεται μέριμνα ώστε να αποφεύγεται η επαφή των θερμαντικών στοιχείων στο εσωτερικό του φούρνου, για το εύρος μαγειρέματος και τους φούρνους.
24. Η θερμοκρασία των προσβάσιμων επιφανειών μπορεί να είναι υψηλή όταν η συσκευή λειτουργεί.
25. Η συσκευή πρέπει να τοποθετείται σε τοίχο.
26. Η συσκευή δεν πρέπει να χρησιμοποιείται από παιδιά ή άτομα με μειωμένες σωματικές, αισθητηριακές ή πνευματικές ικανότητες ή έλλειψη εμπειρίας και γνώσης, εκτός εάν τους έχει δοθεί επίβλεψη ή οδηγίες.
27. **ΠΡΟΕΙΔΟΠΟΙΗΣΗ!**--Σε περίπτωση βλάβης των τσιμουχών της πόρτας ή της πόρτας, ο φούρνος δεν πρέπει να λειτουργεί έως ότου επισκευαστεί από αρμόδιο άτομο.
28. Οι συσκευές δεν προορίζονται για λειτουργία μέσω εξωτερικού χρονοδιακόπτη ή ξεχωριστού συστήματος τηλεχειρισμού.
29. Ο φούρνος μικροκυμάτων προορίζεται μόνο για οικιακή χρήση και όχι για εμπορική χρήση.
30. Μην αφαιρείτε ποτέ τη διάταξη συγκράτησης απόστασης στο πίσω μέρος ή στα πλάγια, καθώς εξασφαλίζει μια ελάχιστη απόσταση από τον τοίχο για την κυκλοφορία του αέρα.
31. Ασφαλίστε την περιστρεφόμενη βάση πριν μετακινήσετε τη συσκευή για να αποφύγετε ζημιές.
32. **ΠΡΟΣΟΧΗ!**--Είναι επικίνδυνο να επισκευάσετε ή να συντηρήσετε τη συσκευή από κάποιον που δεν είναι ειδικός, διότι υπό αυτές τις συνθήκες πρέπει να αφαιρέσετε το κάλυμμα που εξασφαλίζει την προστασία από την ακτινοβολία μικροκυμάτων. Αυτό ισχύει και για την αλλαγή του καλωδίου τροφοδοσίας ή του φωτισμού. Στείλτε τη συσκευή σε αυτές τις περιπτώσεις στο κέντρο επισκευής μας.
33. Ο φούρνος μικροκυμάτων προορίζεται μόνο για την απόψυξη, το μαγείρεμα και τον ατμό των τροφίμων.
34. Χρησιμοποιήστε γάντια αν αφαιρέσετε τυχόν τρόφιμα που έχουν θερμανθεί.



35. Προσοχή! Ο ατμός θα διαφύγει, όταν ανοίγετε τα καπάκια ή το αλουμινόχαρτο περιτυλίγματος.
36. Αυτή η συσκευή μπορεί να χρησιμοποιηθεί από παιδιά ηλικίας 8 ετών ή μεγαλύτερα και από άτομα με μειωμένες σωματικές, αισθητηριακές ή διανοητικές ικανότητες ή έλλειψη εμπειρίας και γνώσης εάν είναι υπό επίβλεψη ή τους έχουν δοθεί οδηγίες αναφορικά με τη χρήση της συσκευής με ασφαλή τρόπο και έχουν κατανοήσει τους κινδύνους που ενέχονται. Τα παιδιά δεν θα πρέπει να παίζουν με την συσκευή. Ο καθαρισμός και η συντήρηση από το χρήστη δεν πρέπει να γίνονται από παιδιά εκτός εάν είναι ηλικίας 8 ετών και άνω και επιβλέπονται.
37. Εάν εκπέμπεται καπνός, απενεργοποιήστε ή αποσυνδέστε τη συσκευή και κρατήστε την πόρτα κλειστή για να καταπνίξετε τυχόν φλόγες.

## ΟΔΗΓΟΣ ΕΓΚΑΤΑΣΤΑΣΗΣ

1. Βεβαιωθείτε ότι όλα τα υλικά συσκευασίας έχουν αφαιρεθεί από το εσωτερικό της πόρτας.
2. **ΠΡΟΕΙΔΟΠΟΙΗΣΗ!** Ελέγξτε το φούρνο για τυχόν ζημιές, όπως εσφαλμένη ευθυγράμμιση ή κάμψη πόρτας, κατεστραμμένες στεγανοποιήσεις πόρτας και επιφάνεια στεγανοποίησης, σπασμένους ή χαλαρούς μεντεσέδες πόρτας και κλειδαριές και βαθουλώματα μέσα στον θάλαμο ή στην πόρτα. Εάν υπάρχει οποιαδήποτε ζημιά, μην χρησιμοποιείτε το φούρνο και επικοινωνήστε με εξειδικευμένο προσωπικό τεχνικής εξυπηρέτησης.
3. Αυτός ο φούρνος μικροκυμάτων πρέπει να τοποθετείται σε επίπεδη, σταθερή επιφάνεια για να συγκρατεί το βάρος του και το βαρύτερο φαγητό που μπορεί να μαγειρευτεί στο φούρνο.
4. Μην τοποθετείτε το φούρνο όπου παράγεται θερμότητα, υγρασία ή υψηλή υγρασία ή κοντά σε εύφλεκτα υλικά.
5. Για τη σωστή λειτουργία, ο φούρνος πρέπει να έχει επαρκή ροή αέρα. Αφήστε χώρο 20 cm πάνω από το φούρνο, 10 cm στο πίσω μέρος και 5 cm και στις δύο πλευρές. Μην καλύπτετε και μην μπλοκάρτε τυχόν ανοίγματα της συσκευής. Μην αφαιρείτε τα πόδια.
6. Μην λειτουργείτε το φούρνο χωρίς τον γυάλινο δίσκο, το στήριγμα κυλίνδρου, και τον άξονα στις σωστές θέσεις τους.
7. Βεβαιωθείτε ότι το καλώδιο τροφοδοσίας είναι άθικτο και δεν λειτουργεί κάτω από το φούρνο ή πάνω από οποιαδήποτε θερμή ή αιχμηρή επιφάνεια.
8. Η πρίζα πρέπει να είναι εύκολα προσβάσιμη ώστε να μπορεί εύκολα να αποσυνδεθεί σε περίπτωση έκτακτης ανάγκης.
9. Μην χρησιμοποιείτε το φούρνο σε εξωτερικούς χώρους.

# ΡΑΔΙΟΗΛΕΚΤΡΙΚΕΣ ΠΑΡΕΜΒΟΛΕΣ

Η λειτουργία του φούρνου μικροκυμάτων μπορεί να προκαλέσει παρεμβολές στο ραδιόφωνο, την τηλεόραση ή παρόμοιο εξοπλισμό. Όταν υπάρχει παρεμβολή, μπορεί να μειωθεί ή να εξαλειφθεί με τη λήψη των ακόλουθων μέτρων:

1. Καθαρίστε την πόρτα και την επιφάνεια σφράγισης του φούρνου.
2. Επαναπροσανατολίστε την κεραία λήψης του ραδιοφώνου ή της τηλεόρασης.
3. Μετακινήστε το φούρνο μικροκυμάτων σε σχέση με το δέκτη.
4. Μετακινήστε το φούρνο μικροκυμάτων μακριά από το δέκτη.
5. Συνδέστε το φούρνο μικροκυμάτων σε διαφορετική πρίζα έτσι ώστε ο φούρνος μικροκυμάτων και ο δέκτης να βρίσκονται σε διαφορετικά κυκλώματα διακλάδωσης.

# ΑΡΧΕΣ ΜΑΓΕΙΡΙΚΗΣ ΜΙΚΡΟΚΥΜΑΤΩΝ

1. Τακτοποιήστε το φαγητό προσεκτικά. Τοποθετήστε τις πιο πυκνές περιοχές προς τα έξω από το πιάτο.
2. Παρακολουθήστε το χρόνο μαγειρέματος. Μαγειρέψτε για το συντομότερο χρονικό διάστημα που υποδεικνύεται και προσθέστε περισσότερο, όπως απαιτείται. Τα πάρα πολύ ψημένα τρόφιμα μπορούν να καπνίσουν ή να αναφλεγούν.
3. Καλύψτε τα τρόφιμα ενώ μαγειρεύετε. Τα καλύμματα αποτρέπουν το πιτσίλισμα και βοηθούν τα τρόφιμα να μαγειρεύουν ομοιόμορφα.
4. Αναποδογυρίστε τα τρόφιμα μία φορά κατά τη διάρκεια του μαγειρέματος στο φούρνο μικροκυμάτων για να επιταχύνετε το μαγείρεμα τροφίμων όπως κοτόπουλο και χάμπουργκερ. Μεγάλα αντικείμενα όπως τα ψητά πρέπει να αναποδογυρίζονται τουλάχιστον μία φορά.
5. Αναδιατάξτε τα τρόφιμα όπως κεφτέδες στα μισά του μαγειρέματος τόσο από πάνω προς τα κάτω όσο και από το κέντρο του πιάτου προς τα έξω.

# ΟΔΗΓΙΕΣ ΓΕΙΩΣΗΣ

Αυτή η συσκευή πρέπει να γειωθεί. Αυτός ο φούρνος είναι εξοπλισμένος με καλώδιο που έχει καλώδιο γείωσης με βύσμα γείωσης. Πρέπει να είναι συνδεδεμένο σε πρίζα τοίχου που είναι σωστά τοποθετημένη και γειωμένη. Σε περίπτωση ηλεκτρικού βραχυκυκλώματος, η γείωση μειώνει τον κίνδυνο ηλεκτροπληξίας παρέχοντας ένα σύρμα διαφυγής για το ηλεκτρικό ρεύμα. Συνιστάται να παρέχεται ξεχωριστό κύκλωμα που να εξυπηρετεί μόνο το φούρνο. Η χρήση υψηλής τάσης είναι επικίνδυνη και μπορεί να οδηγήσει σε πυρκαγιά ή άλλο ατύχημα που θα προκαλέσει ζημιά στο φούρνο.

**ΠΡΟΕΙΔΟΠΟΙΗΣΗ** Η ακατάλληλη χρήση του βύσματος γείωσης μπορεί να οδηγήσει σε κίνδυνο ηλεκτροπληξίας.

## Σημείωση:

1. Εάν έχετε απορίες σχετικά με τις οδηγίες γείωσης ή τις ηλεκτρικές οδηγίες, συμβουλευτείτε εξειδικευμένο ηλεκτρολόγο ή τεχνικό από την τεχνική εξυπηρέτηση.
2. Ούτε ο κατασκευαστής ούτε ο αντιπρόσωπος μπορούν να αποδεχθούν οποιαδήποτε ευθύνη για ζημιά στο φούρνο ή τραυματισμό που προκύπτει από τη μη τήρηση των διαδικασιών ηλεκτρικής σύνδεσης.

Τα καλώδια σε αυτό το καλώδιο έχουν χρωματιστεί σύμφωνα με τον ακόλουθο κώδικα:

**Πράσινο και κίτρινο = ΓΕΙΩΣΗ**

**Μπλε = ΟΥΔΕΤΕΡΟΣ**

**Καφέ = ΦΑΣΗ**

# ΠΡΙΝ ΚΑΛΕΣΕΤΕ ΓΙΑ ΤΕΧΝΙΚΗ ΥΠΟΣΤΗΡΙΞΗ

Εάν ο φούρνος δεν λειτουργεί:

1. Ελέγξτε για να βεβαιωθείτε ότι ο φούρνος είναι συνδεδεμένος με ασφάλεια. Εάν δεν είναι, αφαιρέστε το βύσμα από την πρίζα, περιμένετε 10 δευτερόλεπτα και συνδέστε το ξανά με ασφάλεια.
2. Ελέγξτε για καμένη ασφάλεια κυκλώματος ή ενεργοποιημένο κεντρικό ασφαλειοδιακόπτη. Αν αυτά φαίνονται να λειτουργούν σωστά, δοκιμάστε την πρίζα με άλλη συσκευή.

3. Ελέγξτε για να βεβαιωθείτε ότι ο πίνακας ελέγχου έχει προγραμματιστεί σωστά και ότι το χρονόμετρο έχει ρυθμιστεί.
4. Ελέγξτε για να βεβαιωθείτε ότι η θύρα είναι καλά κλειστή ενεργοποιώντας το σύστημα κλειδώματος ασφαλείας της θύρας. Διαφορετικά, η ενέργεια μικροκυμάτων δεν θα ρέει στο φούρνο.

ΕΑΝ ΚΑΝΕΝΑ ΑΠΟ ΤΑ ΠΑΡΑΠΑΝΩ ΔΕΝ ΔΙΟΡΘΩΝΕΙ ΤΗΝ ΚΑΤΑΣΤΑΣΗ, ΕΠΙΚΟΙΝΩΝΗΣΤΕ ΜΕ ΕΝΑΝ ΕΞΕΙΔΙΚΕΥΜΕΝΟ ΤΕΧΝΙΚΟ. ΜΗΝ ΠΡΟΣΠΑΘΗΣΕΤΕ ΝΑ ΡΥΘΜΙΣΕΤΕ Ή ΝΑ ΕΠΙΣΚΕΥΑΣΕΤΕ ΤΟ ΦΟΥΡΝΟ ΜΟΝΟΙ ΣΑΣ.

## ΟΔΗΓΟΣ ΣΚΕΥΩΝ

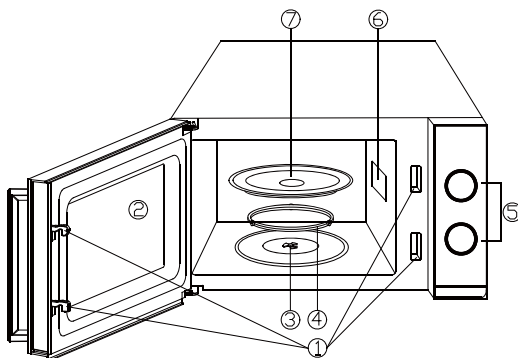
1. Ο φούρνος μικροκυμάτων δεν μπορεί να διαπεράσει το μέταλλο. Χρησιμοποιείτε μόνο σκεύη κατάλληλα για χρήση σε φούρνους μικροκυμάτων. Τα μεταλλικά δοχεία για τρόφιμα και ποτά δεν επιτρέπονται κατά τη διάρκεια του μαγειρέματος στο φούρνο μικροκυμάτων. Η απαίτηση αυτή δεν ισχύει εάν ο κατασκευαστής καθορίζει το μέγεθος και το σχήμα των μεταλλικών δοχείων που είναι κατάλληλα για μαγείρεμα σε φούρνο μικροκυμάτων.
2. Ο φούρνος μικροκυμάτων δεν μπορεί να διεισδύσει στο μέταλλο, επομένως δεν πρέπει να χρησιμοποιούνται μεταλλικά σκεύη ή πιάτα με μεταλλικό φινίρισμα.
3. Μην χρησιμοποιείτε ανακυκλωμένα προϊόντα χαρτιού κατά το μαγείρεμα σε φούρνο μικροκυμάτων, καθώς μπορεί να περιέχουν μικρά μεταλλικά θραύσματα που μπορεί να προκαλέσουν σπινθήρες και/ή πυρκαγιές.
4. Συνιστώνται στρογγυλά/οβάλ πιάτα αντί για τετράγωνα/επιμήκη, καθώς το φαγητό στις γωνίες τείνει να παραψηφείται.
5. Στενές ταινίες από φύλλο αλουμινίου μπορούν να χρησιμοποιηθούν για την πρόληψη του υπερβολικού βρασμού των εκτεθειμένων περιοχών. Αλλά προσέξτε να μην χρησιμοποιήσετε πάρα πολύ και κρατήστε απόσταση 2,54 cm (1 ίντσα) μεταξύ του φύλλου αλουμινίου και του θαλάμου.

Η παρακάτω λίστα είναι ένας γενικός οδηγός που θα σας βοηθήσει να επιλέξετε τα σωστά σκεύη.

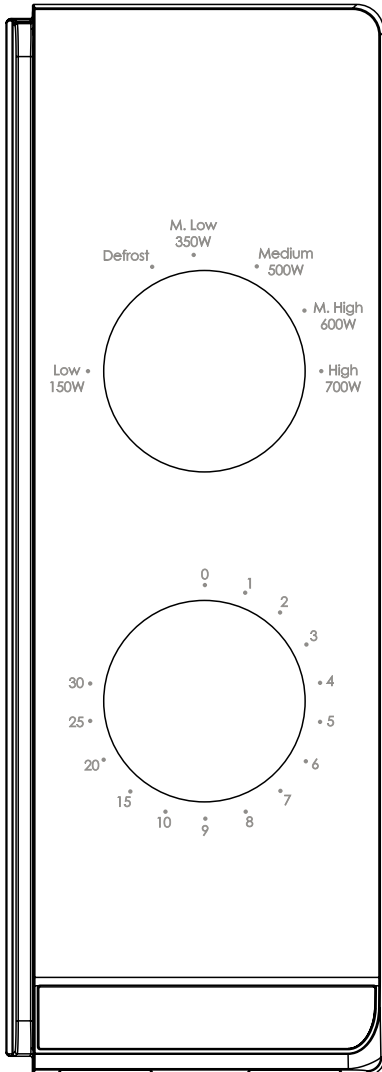
ΣΚΕΥΗ ΜΑΓΕΙΡΕΜΑΤΟΣ	MICROWAVE
Θερμοανθεκτικό γυαλί	Ναι
Γυαλί μη ανθεκτικό στη θερμότητα	Όχι
Θερμοανθεκτικά κεραμικά	Ναι
Πλαστικό πιάτο ασφαλές για μικροκύματα	Ναι
Χαρτί κουζίνας	Ναι
Μεταλλικός δίσκος	Όχι
Μεταλλική σχάρα	Όχι
Δοχεία από αλουμίνιο και αλουμινόχαρτο	Όχι

# ΟΝΟΜΑΤΑ ΕΞΑΡΤΗΜΑΤΩΝ

1. Σύστημα κλειδώματος πόρτας
2. Παράθυρο φούρνου
3. Άξονας
4. Κύλινδρος κύλισης
5. Πίνακας ελέγχου
6. Οδηγός κυμάτων  
(Μην αφαιρέσετε την πλάκα μαρμαρυγίας που καλύπτει τον κυματοδηγό)
7. Γυάλινος δίσκος



# ΠΙΝΑΚΑΣ ΕΛΕΓΧΟΥ



Ο πίνακας ελέγχου αποτελείται από δύο χειριστές λειτουργιών. Το ένα είναι ένα κουμπί χρονοδιακόπτη και το άλλο ένα κουμπί ισχύος.

## **ΕΠΙΛΟΓΕΑΣ ΙΣΧΥΟΣ/ΔΡΑΣΗΣ**

Χρησιμοποιείτε αυτό το κουμπί χειρισμού για να επιλέξετε ένα επίπεδο ισχύος μαγειρέματος. Είναι το πρώτο βήμα για την έναρξη μιας συνεδρίας μαγειρικής.

## **ΚΟΥΜΠΙ ΧΡΟΝΟΔΙΑΚΟΠΤΗ**

Προσφέρει οπτικές ρυθμίσεις χρονομέτρησης με εύκολη περιστροφή του αντίχειρά σας για να επιλέξετε τον επιθυμητό χρόνο μαγειρέματος έως και 30 λεπτά ανά περίοδο μαγειρέματος.

## **ΜΑΓΕΙΡΕΜΑ ΜΙΚΡΟΚΥΜΑΤΩΝ**

Για το καθαρό μαγείρεμα σε φούρνο μικροκυμάτων, υπάρχουν έξι επίπεδα ισχύος από τα οποία μπορείτε να επιλέξετε το κατάλληλο για την εκάστοτε εργασία.

Το επίπεδο ισχύος αυξάνεται με τη δεξιόστροφη περιστροφή του κουμπιού. Τα επίπεδα ισχύος μπορούν να ταξινομηθούν ως εξής:

	παραγόμενη ισχύς	Περιγραφή
1	700W	ΥΨΗΛΗ
2	600W	M.HIGH
3	500W	MED
4	350W	M.LOW
5		Απόψυξη
6	150W	ΜΙΚΡΟ

# ΛΕΙΤΟΥΡΓΙΑ

Για να ξεκινήσετε μια συνεδρία μαγειρέματος,

1. Τοποθετήστε το φαγητό στο φούρνο και κλείστε την πόρτα.
2. Περιστρέψτε τον επιλογέα ισχύος για να επιλέξετε ένα επίπεδο ισχύος.
3. Χρησιμοποιήστε το κουμπί Χρονοδιακόπτη για να ρυθμίσετε το χρόνο μαγειρέματος

## **ΣΗΜΕΙΩΣΗ:**

Μόλις ενεργοποιηθεί ο χρονοδιακόπτης, ο φούρνος αρχίζει να μαγειρεύει.

Όταν επιλέγετε χρόνο για λιγότερο από 2 λεπτά, γυρίστε το χρονόμετρο πέρα από τα 2 λεπτά και στη συνέχεια επιστρέψτε στη σωστή ώρα.

**ΠΡΟΣΟΧΗ: ΠΑΝΤΑ ΕΠΙΣΤΡΕΦΕΤΕ ΤΟ ΧΡΟΝΟΔΙΑΚΟΠΤΗ ΣΤΗ ΘΕΣΗ ΜΗΔΕΝ**, εάν αφαιρεθεί το φαγητό

από το φούρνο πριν ολοκληρωθεί ο καθορισμένος χρόνος μαγειρέματος ή όταν ο φούρνος δεν χρησιμοποιείται. Για να σταματήσετε το φούρνο κατά τη διάρκεια της διαδικασίας μαγειρέματος, πιέστε το κουμπί απελευθέρωσης της πόρτας ή ανοίξτε την πόρτα από τη λαβή.

# ΚΑΘΑΡΙΣΜΟΣ ΚΑΙ ΦΡΟΝΤΙΔΑ

1. Απενεργοποιήστε το φούρνο και αφαιρέστε το φως από την πρίζα πριν τον καθαρισμό.
2. Διατηρείτε το εσωτερικό του φούρνου καθαρό. Όταν οι πιτσιλιές τροφίμων ή τα υγρά που έχουν χυθεί προσκολλώνται στα τοιχώματα του φούρνου, σκουπίστε με ένα υγρό πανί. Εάν ο φούρνος λερωθεί πολύ, μπορεί να χρησιμοποιηθεί ήπιο απορρυπαντικό. Αποφύγετε τη χρήση σπρέι και άλλων σκληρών καθαριστικών, καθώς μπορεί να λεκιάσουν, να ραβδώσουν ή να θαμπώσουν την επιφάνεια της πόρτας.
3. Οι εξωτερικές επιφάνειες πρέπει να καθαρίζονται με ένα υγρό πανί.. Για να αποφύγετε την πρόκληση ζημιάς στα μέρη του φούρνου, δεν πρέπει να επιτρέψετε τη διαρροή νερού στα ανοίγματα εξαερισμού.
4. Σκουπίστε συχνά την πόρτα και το παράθυρο και στις δύο πλευρές, τις σφραγίσεις της πόρτας και τα παρακείμενα μέρη με ένα υγρό πανί για να αφαιρέσετε τυχόν κηλίδες ή πιτσιλιές. Μη χρησιμοποιείτε λειαντικό καθαριστικό.
5. Δεν πρέπει να χρησιμοποιείται ατμοκαθαριστής.

6. Μην αφήνετε τον πίνακα ελέγχου να βραχεί. Καθαρίστε με ένα μαλακό, υγρό πανί. Κατά τον καθαρισμό του πίνακα ελέγχου, αφήστε την πόρτα του φούρνου ανοιχτή για να αποφύγετε την ακούσια ενεργοποίηση του φούρνου.
7. Εάν συσσωρευτεί ατμός μέσα ή γύρω από το εξωτερικό της πόρτας του φούρνου, σκουπίστε με ένα μαλακό πανί. Αυτό μπορεί να συμβεί όταν ο φούρνος μικροκυμάτων λειτουργεί σε συνθήκες υψηλής υγρασίας. Και είναι φυσιολογικό.
8. Περιστασιακά είναι απαραίτητο να αφαιρέσετε το γυάλινο δίσκο για καθαρισμό. Πλύνετε το δίσκο με ζεστό σαπουνόνερο ή σε πλυντήριο πιάτων.
9. Ο δακτύλιος του κυλίνδρου και το δάπεδο του φούρνου πρέπει να καθαρίζονται τακτικά για να αποφεύγεται ο υπερβολικός θόρυβος. Σκουπίστε απλώς την κάτω επιφάνεια του φούρνου με ήπιο απορρυπαντικό. Ο δακτύλιος του κυλίνδρου μπορεί να πλυθεί με ήπιο σαπούνι ή πλυντήριο πιάτων. Όταν αφαιρείτε τον κυλινδρικό δακτύλιο από το δάπεδο της κοιλότητας για καθαρισμό, βεβαιωθείτε ότι τον αντικαταστήσατε στη σωστή θέση.
10. Αφαιρέστε τις οσμές από το φούρνο σας συνδυάζοντας ένα φλιτζάνι νερό με το χυμό και το δέρμα ενός λεμονιού σε ένα βαθύ δοχείο μικροκυμάτων, φούρνο μικροκυμάτων για 5 λεπτά. Σκουπίστε καλά και στεγνώστε με ένα μαλακό πανί.
11. Όταν είναι απαραίτητο να αντικαταστήσετε το φως του φούρνου, συμβουλευτείτε έναν αντιπρόσωπο για να το αντικαταστήσετε.
12. Ο φούρνος πρέπει να καθαρίζεται τακτικά και να αφαιρούνται τυχόν υπολείμματα τροφής. Η μη συντήρηση του φούρνου σε καθαρή κατάσταση θα μπορούσε να οδηγήσει σε φθορά της επιφάνειας, η οποία θα μπορούσε να επηρεάσει αρνητικά τη διάρκεια ζωής της συσκευής και ενδεχομένως να οδηγήσει σε επικίνδυνη κατάσταση.
13. Παρακαλούμε μην απορρίπτετε αυτή τη συσκευή στον οικιακό κάδο απορριμμάτων. Πρέπει να απορρίπτεται στο συγκεκριμένο κέντρο απορριμμάτων που παρέχεται από τους δήμους.



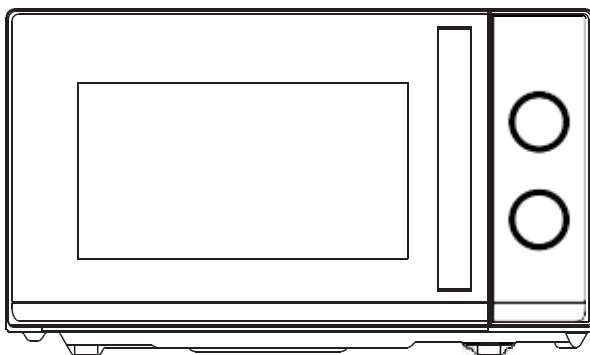


Η συσκευή αυτή επισημαίνεται σύμφωνα με την Ευρωπαϊκή Οδηγία 2012/19/ΕΕ σχετικά με τα Απόβλητα Ηλεκτρικού και Ηλεκτρονικού Εξοπλισμού του 2013 όσον αφορά τις ηλεκτρικές και ηλεκτρονικές συσκευές (ΑΗΗΕ). Τα ΑΗΗΕ περιλαμβάνουν τόσο ρυπαρόνες ουσίες (οι οποίες μπορούν να έχουν αρνητικές επιπτώσεις στο περιβάλλον) όσο και βασικά εξαρτήματα (τα οποία μπορούν να χρησιμοποιηθούν και πάλι). Είναι σημαντικό τα ΑΗΗΕ να υποβάλλονται σε συγκεκριμένες επεξεργασίες έτσι ώστε να αφαιρούνται και να απορρίπτονται όλα τα ρυπαρόνα στοιχεία και να ανακτώνται όλα τα υλικά. Τα άτομα μπορούν να διαδραματίσουν σημαντικό ρόλο στην εξασφάλιση ότι τα ΑΗΗΕ δεν θα αποτελέσουν περιβαλλοντικό πρόβλημα. Είναι απαραίτητο να ακολουθούνται μερικοί βασικοί κανόνες:

- τα ΑΗΗΕ δεν θα πρέπει να αντιμετωπίζονται σαν οικιακά απορρίμματα,
- τα ΑΗΗΕ θα πρέπει να μεταφέρονται στα ειδικά κέντρα συλλογής και ανακύκλωσης αποβλήτων που διαχειρίζονται οι δημοτικές αρχές ή εξουσιοδοτημένες εταιρείες.











Σε πολλές χώρες, μπορεί να υπάρχουν διαθέσιμες συλλογές από τα στίπια για μεγάλα ΑΗΗΕ. Όταν αγοράζετε μια καινούργια συσκευή, η παλιά μπορεί να επιστραφεί στον πωλητή ο οποίος πρέπει να την παραλάβει χωρίς χρέωση σε αναλογία μία προς μία, εφόσον η συσκευή αυτή είναι ισοδύναμου τύπου και έχει τις ίδιες λειτουργίες με την παρεχόμενη συσκευή.

# Mikrohullámú sütő utasítások



Modell: CMW20TNMB

Kérjük, hogy a sütő telepítése és üzemeltetése előtt figyelmesen olvassa el ezeket az utasításokat.

<b>Haier Europe</b> <small>CANOPY</small>  <small>Haier</small>	<b>PT</b>  707 200 188 210 010 773	<b>IT</b>  02 400 48 200	<b>ES</b>  902 100 150 943 914 150	<b>DE</b>  0800 500 48 48
<b>BE</b>  02 752 94 10	<b>NL</b>  33 422 4000	<b>AT</b>  0820 220 224	<b>GR</b>  801 11 50 50 50	<b>CH</b>  0848 780 780

70017948

# TARTALOM

SPECIFIKÁCIÓK .....	2
ÓVINTÉZKEDÉSEK A TÚLZOTT MIKROHULLÁMÚ ENERGIÁNAK VALÓ ESETLEGES KITETTSÉG ELKERÜLÉSE ÉRDEKÉBEN.....	2
FONTOS BIZTONSÁGI UTASÍTÁSOK .....	3
TELEPÍTÉSI ÚTMUTATÓ.....	6
RÁDIÓZAVAR.....	6
MIKROHULLÁMÚ SÜTÉS ALAPELVEI .....	7
FÖLDELÉSI UTASÍTÁSOK.....	7
MIELŐTT SZERVIZT HÍVNA .....	8
ÚTMUTATÓ AZ ESZKÖZÖKHÖZ.....	8
ALKATRÉSZEK MEGNEVEZÉSE .....	9
VEZÉRLŐPANEL .....	10
TELJESÍTMÉNY/MŰKÖDÉS VÁLASZTÓ.....	10
IDŐZÍTŐ GOMB .....	10
FŐZÉS MIKROHULLÁMMAL .....	10
ÜZEMELTETÉS.....	11
TISZTÍTÁS ÉS ÁPOLÁS .....	11

# SPECIFIKÁCIÓK

Energiafogyasztás:	230-240V/50 Hz, 1200 W (mikrohullámú)
Névleges mikrohullámú kimenő teljesítmény:	700 W
Működési frekvencia:	2450 MHz
Külső méretek:	262 mm (magasság) × 452 mm (szélesség) × 346 mm (mélység)
Sütőtér méretei:	198 mm (magasság) × 315 mm (szélesség) × 297 mm (mélység)
Sütő kapacitása:	Kompakt 20 literes
Nettó súly:	Kb. 10,8 kg

## ÓVINTÉZKEDÉSEK A TÚLZOTT MIKROHULLÁMÚ ENERGIÁNAK VALÓ ESETLEGES KITETTSÉG ELKERÜLÉSE ÉRDEKÉBEN

1. Ne próbálja meg ezt a sütőt nyitott ajtóval üzemeltetni, mivel a nyitott ajtó működése mikrohullámú energiának való káros kitettséget eredményezhet. Fontos, hogy a biztonsági reteszelékeket nem szabad meghíúsítani vagy megbabrálni.
2. Ne helyezzen semmilyen tárgyat a sütő elülső felülete és az ajtó közé, és ne hagyja, hogy szennyeződés vagy tisztítószer-maradék gyűljön össze a tömítőfelületeken.
3. Ne működtesse a sütőt, ha az sérült. Különösen fontos, hogy a sütő ajtaja megfelelően záródjon, és ne sérüljön meg a
  - a. Ajtó (hajlított),
  - b. Pántok és reteszek (törött vagy meglazult),
  - c. Ajtótömítések és tömítőfelületek.
4. A sütőt csak megfelelően képzett szervizszemélyzet állíthatja be vagy javíthatja.

# FONTOS BIZTONSÁGI UTASÍTÁSOK

Az elektromos készülék használatakor alapvető biztonsági óvintézkedéseket kell betartani, beleértve a következőket:

**FIGYELEM!**--Az égési sérülések, áramütés, tűz, személyi sérülés vagy túlzott mikrohullámú energiának való kitettség kockázatának csökkentése érdekében:

1. A készüléket csak a használati útmutatóban leírt rendeltetészerű használatra használja. Ne használjon maró hatású vegyszereket vagy gőzöket ebben a készülékben. Ezt a sütőtípust kifejezetten élelmiszerek melegítésére, főzésére vagy szárítására tervezték. Nem ipari vagy laboratóriumi használatra tervezték.
2. Ne működtesse a sütőt üres állapotban.
3. Ne működtesse a készüléket, ha sérült a vezeték vagy a dugó, ha nem működik megfelelően, vagy ha megsérült vagy leesett. Ha a tápkábel megsérül, a kockázatok elkerülése végett a gyártó által megadott márkaszerviznek vagy megfelelően képzett szakembernek kell gondoskodnia a cseréjéről.
4. **FIGYELEM!**--Kizárólag akkor engedje meg a gyermekeknek, hogy felügyelet nélkül használják a sütőt, ha megfelelő utasításokat kaptak, hogy a gyermek képes legyen a sütő biztonságos használatára, és megérti a helytelen használat veszélyeit.
5. A sütőtérben keletkező tűz veszélyének csökkentése érdekében:
  - Ha műanyag vagy papírtartályban lévő étel melegít, tartsa szemmel a sütőt a gyulladás lehetősége miatt.
  - Távolítsa el a drótkötegeket a papír- vagy műanyag zacskókból, mielőtt a zacskót a sütőbe helyezi.
  - Ha füstöt észlel, kapcsolja ki vagy húzza ki a készüléket, és tartsa zárva az ajtót, hogy elnyomja a lángokat.
  - Ne használja az üreget tárolási célokra. Ne hagyjon papírárut, főzőedényeket vagy ételt az üregben, amikor nem használja.
  - A mikrohullámú sütő ételek és italok melegítésére szolgál. Az ételek vagy ruhák szárítása és a melegítőpárnák, papucskok, szivacsok, nedves ruhák és hasonló melegítése sérülés, gyulladás vagy tűzveszélyt okozhat.
6. **FIGYELEM!**--Folyadékot vagy más élelmiszert nem szabad zárt tartályokban melegíteni, mivel azok robbanásveszélyesek.
7. Az italok mikrohullámú melegítése késleltetett forráshoz vezethet, ezért az edény kezelésénél óvatosan kell eljárni.
8. Ne süsse az ételt a sütőben. A forró olaj károsíthatja a sütő alkatrészeit és eszközeit, és akár bőrgégést is okozhat.

9. A héjas tojásokat és az egész keményre főtt tojásokat nem szabad mikrohullámú sütőben melegíteni, mivel a mikrohullámú melegítés befejezése után is felrobbanhatnak.
10. Főzés előtt szűrje át a nehéz héjú ételeket, például a burgonyát, az egész tököt, az almát és a gesztenyét.
11. A cumisüvegek és bébiételes üvegek tartalmát meg kell keverni vagy fel kell rázni, és a tálalás előtt ellenőrizni kell a hőmérsékletet, hogy elkerüljük az égési sérüléseket.
12. A főzőedények felforrósodhatnak a felhevített ételek által átadott hő miatt. Az edények kezeléséhez szükség lehet lábtörlőre.
13. Az edényeket ellenőrizni kell, hogy alkalmasak-e a mikrohullámú sütőben való használatra.
14. **FIGYELEM!**--Veszélyes, ha képzett személyen kívül bárki más olyan szerviz- vagy javítási műveletet végez, amely a mikrohullámú energiának való kitettség elleni védelmet nyújtó burkolat eltávolításával jár.
15. Ez a termék a 2. csoport B. osztályú ISM-berendezése. A 2. csoport meghatározása, amely minden olyan ISM (ipari, tudományos és orvosi) berendezést tartalmaz, amelyben szándékosan rádiófrekvenciás energiát állítanak elő és/vagy használnak elektromágneses sugárzás formájában anyagkezelésre, valamint szikraerőziós berendezéseket. A B. osztályú berendezések olyan berendezések, amelyek alkalmasak háztartási célú létesítményekben és olyan létesítményekben való használatra, amelyek közvetlenül csatlakoznak a háztartási célú épületeket ellátó kifesztültségű áramellátó hálózathoz.
16. A készüléket nem használhatják csökkent fizikai, érzékszervi vagy mentális képességekkel rendelkező személyek (ideértve a gyerekeket), illetve a megfelelő tapasztalattal vagy tudással nem rendelkező személyek, amennyiben a biztonságukért felelős személy nem felügyeli a készülék használatát és szolgál útmutatással.
17. Felügyelje a gyerekeket, hogy azok ne játsszanak a készülékkel.
18. A mikrohullámú sütő csak szabadon álló készülékben használható.
19. **FIGYELEM!**--Ne telepítse a sütőt tűzhely vagy más hőtermelő készülék fölé. ha telepítve megsérülhet, és a garancia elkerülhető lenne.
20. A mikrohullámú sütő nem helyezhető szekrénybe.
21. **FIGYELMEZTETÉS:** a készülék és annak hozzáférhető részei használat közben felforrósodnak.
22. **FIGYELEM!**--A hozzáférhető alkatrészek használat közben felforrósodhatnak. Tartsa távol a kisgyerekeket.
23. A készülék használat közben felforrósodik. Ügyelni kell arra, hogy a sütő belsejében lévő fűtőelemeket ne érintse meg a főzőcsarnok és a sütő.

24. A hozzáférhető felületek hőmérséklete magas lehet, ha a készülék működik.
25. A készüléket a falhoz kell helyezni.
26. A készüléket nem használhatják gyermekek vagy csökkent fizikai, érzékszervi vagy szellemi képességekkel rendelkező, illetve tapasztalat és ismeretek hiányában nem rendelkező személyek, kivéve, ha felügyeletet vagy oktatást kaptak.
27. **FIGYELEM!**--Ha az ajtó vagy az ajtó tömítések megsérültek, a sütőt nem szabad üzemeltetni, amíg azt hozzáférő személy meg nem javította.
28. A készülékeket nem külső időzítővel vagy külön távvezérlő rendszerrel való működtetésre szánták.
29. A mikrohullámú sütő kizárólag háztartási használatra, nem kereskedelmi használatra készült.
30. Soha ne távolítsa el a hátul vagy oldalt lévő távolságtartót, mivel az biztosítja a minimális távolságot a faltól a levegő keringéséhez.
31. Kérjük, a készülék mozgatása előtt rögzítse a lemezjátszót a sérülések elkerülése érdekében.
32. **FIGYELEM!**--Veszélyes a készüléket csak szakemberrel javíttatni vagy karbantartani, mert ilyen körülmények között a mikrohullámú sugárzás elleni védelmet biztosító burkolatot el kell távolítani. Ez vonatkozik a tápkábel vagy a világítás cseréjére is. Ezekben az esetekben küldje el a készüléket szervizközpontunkba.
33. A mikrohullámú sütő kizárólag ételek felolvasztására, főzésére és párolására szolgál.
34. Használjon kesztyűt, ha melegített ételt vesz ki.
35. Vigyázat! A gőz távozni fog, amikor kinyitja a fedelet vagy a fóliát becsomagolja.
36. A készüléket 8 év fölötti gyermekek, csökkent fizikai, érzékszervi és mentális képességekkel rendelkező, illetve kellő tapasztalattal nem rendelkező személyek, csak felügyelet mellett, illetve akkor használhatják, ha már rendelkeznek a készülék biztonságos használatára és a kockázatokra vonatkozó tudással. Gyermekek ne játsszanak a készülékkel. A tisztítást és a felhasználói karbantartást csak 8 éves vagy annál idősebb gyermekek végezhetik, akiket felügyelet alatt tartanak.
37. Ha füstöt bocsát ki, kapcsolja ki vagy húzza ki a készüléket, és tartsa zárva az ajtót, hogy elnyomja a lángokat.

# TELEPÍTÉSI ÚTMUTATÓ

1. Győződjön meg róla, hogy az összes csomagolóanyagot eltávolította az ajtó belsejéből.
2. **FIGYELEM:** Ellenőrizze a sütőt, hogy nincs-e rajta sérülés, például elferdült vagy meghajlott ajtó, sérült ajtó tömítés és tömítőfelület, törött vagy laza ajtópántok és reteszek, valamint horpadások az üregben vagy az ajtón. Ha bármilyen sérülést észlel, ne működtesse a sütőt, és forduljon szakképzett szerviz szakemberhez.
3. Ezt a mikrohullámú sütőt sima, stabil felületre kell helyezni, hogy elbírja a súlyát és a sütőben valószínűleg megsütendő legnehezebb ételeket.
4. Ne helyezze a sütőt olyan helyre, ahol hő, nedvesség vagy magas páratartalom keletkezik, illetve éghető anyagok közelébe.
5. A helyes működéshez a sütőnek megfelelő légáramlással kell rendelkeznie. A sütő fölött 20 cm, hátul 10 cm, mindkét oldalon 5 cm helyet hagyjon. Ne takarja le és ne zárja el a készülék bármelyik nyílását. Ne távolítsa el a lábakat.
6. Ne működtesse a sütőt anélkül, hogy az üvegtálca, a görgőtartó és a tengely a megfelelő pozícióban lenne.
7. Győződjön meg arról, hogy a tápkábel sértetlen, és nem fut a sütő alatt vagy bármilyen forró vagy éles felületen.
8. A konnektornak könnyen hozzáférhetőnek kell lennie, hogy vészhelyzetben könnyen kihúzható legyen.
9. Ne használja a sütőt a szabadban.

## RÁDIÓZAVAR

A mikrohullámú sütő működése interferenciát okozhat a rádióban, TV-ben vagy hasonló berendezésekben. Ha interferencia lép fel, az a következő intézkedésekkel csökkenthető vagy kiküszöbölhető:

1. Tisztítsa meg a sütő ajtaját és tömítőfelületét.
2. Állítsa át a rádió vagy televízió vételi antennáját.
3. Helyezze át a mikrohullámú sütőt a vevőegységhez képest.
4. Távolítsa el a mikrohullámú sütőt a vevőtől.
5. Csatlakoztassa a mikrohullámú sütőt egy másik konnektorhoz, hogy a mikrohullámú sütő és a vevőegység különböző áramkörökben legyen.



# MIKROHULLÁMÚ SÜTÉS ALAPELVEI

1. Gondosan rendezd el az ételeket. A legvastagabb területeket az edény külső része felé helyezze.
2. Figyelje a főzési időt. Főzzük a megadott legrövidebb ideig, és szükség szerint adjunk hozzá még. A súlyosan túlfőtt ételek füstölhetnek vagy meggyulladhatnak.
3. Fedje le az ételeket főzés közben. A fedelek megakadályozzák a szétfröccsenést, és segítik az ételek egyenletes sülését.
4. A mikrohullámú sütés során egyszer fordítsa meg az ételeket, hogy felgyorsítsa az olyan ételek, mint a csirke és a hamburger sütését. Az olyan nagyméretű tárgyakat, mint a sült, legalább egyszer meg kell fordítani.
5. Az ételeket, például a húsgombócokat a sütés felénél rendezzük át mind felülről lefelé, mind pedig az étel közepétől kifelé.

## FÖLDELÉSI UTASÍTÁSOK

A készüléket földelni kell. Ez a sütő földelő vezetékkel ellátott vezetékkel van felszerelve, földelő dugóval. A készüléket megfelelően felszerelt és földelt fali csatlakozóaljzatba kell csatlakoztatni. Elektromos rövidzárlat esetén a földelés csökkenti az áramütés kockázatát azáltal, hogy menekülési vezetékkel biztosít az elektromos áram számára. Javasoljuk, hogy csak a sütőt kiszolgáló külön áramkört alakítsanak ki. A nagyfeszültség használata veszélyes, és tűz vagy más, sütő károsodását okozó baleset lehet a következménye.

**FIGYELMEZTETÉS** A földelődugó helytelen használata áramütés veszélyét eredményezheti.

### **Megjegyzés:**

1. Ha bármilyen kérdése van a földeléssel vagy az elektromos utasításokkal kapcsolatban, forduljon szakképzett villanyszerelőhöz vagy szervizelőhöz.
2. Sem a gyártó, sem a kereskedő nem vállal felelősséget a sütőben keletkezett károkért vagy személyi sérülésekért, amelyek az elektromos csatlakoztatási eljárások be nem tartásából erednek.

A kábelhálózat vezetékeinek színe a következő kódoknak megfelelően van kialakítva:

**Zöld és sárga = FÖLD**

**Kék = NEUTRÁLIS**

**Barna = ÉLŐ**

# MIELŐTT SZERVIZT HÍVNA

Ha a sütő nem működik:

1. Ellenőrizze, hogy a sütő biztonságosan be van-e dugva. Ha nem, húzza ki a dugót a konnektorból, várjon 10 másodpercet, majd csatlakoztassa újra biztonságosan.
2. Ellenőrizze, hogy nincs-e kiégett biztosíték vagy kioldott főkapcsoló. Ha úgy tűnik, hogy ezek megfelelően működnek, tesztelje a konnektort egy másik készülékkel.
3. Ellenőrizze, hogy a vezérlőpanel helyesen van-e programozva és az időzítő be van-e állítva.
4. Ellenőrizze, hogy az ajtó biztonságosan zárva van-e az ajtó biztonsági zárrendszerének bekapcsolásával. Ellenkező esetben a mikrohullámú energia nem áramlik a sütőbe.

HA A FENTIEK EGYIKE SEM ORVOSOLJA A HELYZETET, AKKOR FORDULJON SZAKKÉPZETT SZAKEMBERHEZ. NE PRÓBÁLJA MEG SAJÁT MAGA BEÁLLÍTANI VAGY MEGJAVÍTANI A SÜTŐT.

## ÚTMUTATÓ AZ ESZKÖZÖKHÖZ

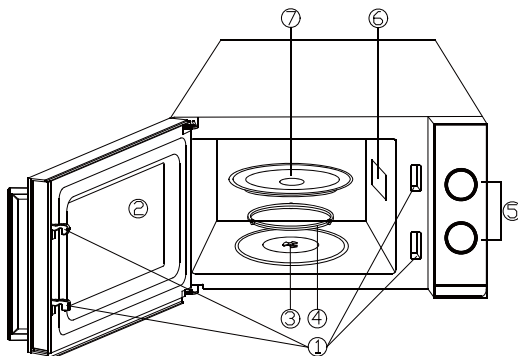
1. A mikrohullám nem hatol át a fémen. Csak olyan edényeket használjon, amelyek alkalmasak mikrohullámú sütőben való használatra. Az ételek és italok fémtartályai nem használhatók mikrohullámú sütés közben. Ez a követelmény nem alkalmazandó, ha a gyártó a mikrohullámú sütésre alkalmas fémtartályok méretét és alakját határozza meg.
2. A mikrohullámú sütő nem képes áthatolni a fémen, ezért fém edényeket vagy fém díszítésű edényeket nem szabad használni.
3. Ne használjon újrahasznosított papírtermékeket mikrohullámú sütéskor, mivel azok kis fémdarabokat tartalmazhatnak, amelyek szikrákat és/vagy tüzet okozhatnak.
4. Inkább kerek/ovális edények, mint szögletes/nyúlványos edények ajánlottak, mivel a sarkokban lévő ételek hajlamosak túlsülni.
5. Keskeny alumíniumfóliacsíkokat lehet használni, hogy megakadályozza a szabadon lévő területek túlsütését. De vigyázzon, ne használjon túl sokat, és tartson 1 hüvelyk (2,54 cm) távolságot a fólia és az üreg között.

Az alábbi lista egy általános útmutató a megfelelő eszközök kiválasztásához.

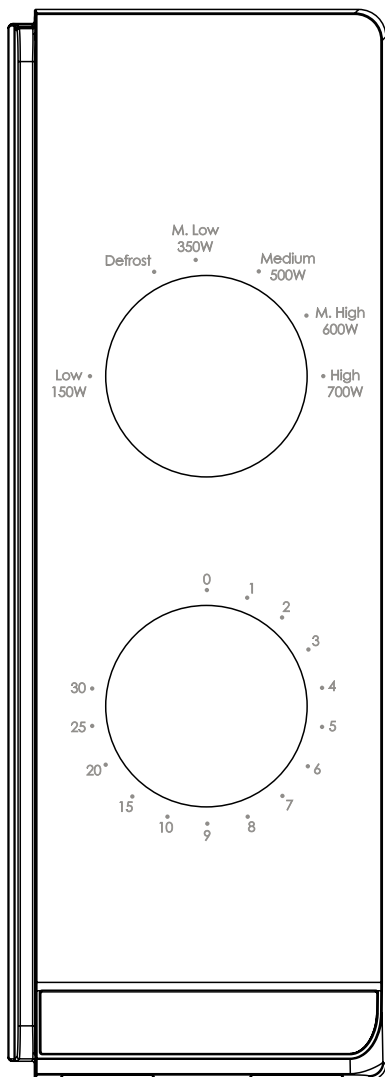
Főzőkészlet	Mikrohullám
Hőálló üveg	Igen
Nem hőálló üveg	Sz.
Hőálló kerámia	Igen
Mikrohullámú sütőben használható műanyag edény	Igen
Konyhai papír	Igen
Fém tálca	Sz.
Fém állvány	Sz.
Alumínium fólia és fóliatartályok	Sz.

## ALKATRÉSZEK MEGNEVEZÉSE

1. Ajtó biztonsági zárrendszer
2. SÜTŐABLAK
3. Szár
4. Görgős gyűrű
5. Vezérlőpanel
6. Hullámvezető  
(Kérjük, ne távolítsa el a hullámvezetőt fedő csillámlemezt)
7. Üvegtálca



# VEZÉRLŐPANEL



A kezelőpanel két funkciókezelőből áll. Az egyik egy időzítő gomb, a másik pedig egy teljesítménygomb.

## TELJESÍTMÉNY/MŰKÖDÉS VÁLASZTÓ

Ezt a kezelőgombot a főzési teljesítményszint kiválasztására használja. Ez az első lépés a főzés megkezdéséhez.

## IDŐZÍTŐ GOMB

Vizuális időzítési beállításokat kínál a hüvelykujja egyszerű elfordításával a kívánt főzési idő kiválasztásához, akár 30 percig főzésenként.

## FŐZÉS MIKROHULLÁMMAL

A tiszta mikrohullámú sütéshez hat teljesítményszint áll rendelkezésre, amelyek közül kiválaszthatja az adott feladat elvégzéséhez legmegfelelőbbet.

A teljesítményszint az óramutató járásával megegyező irányba forgatva növekszik. A teljesítményszintek a következők szerint osztályozhatók:

	Teljesítmény	Leírás
1	700 W	HIGH
2	600 W	M.HIGH
3	500 W	med
4	350 W	M.LOW
5		Leolvasztás
6	150 W	ALACSONY

# ÜZEMELTETÉS

A főzés megkezdéséhez,

1. Helyezze az ételt a sütőbe, és zárja be az ajtót.
2. Fordítsa el a teljesítményválasztót a teljesítményszint kiválasztásához.
3. A főzési idő beállításához használja az időzítő gombot

## MEGJEGYZÉS:

Amint az időzítőt elfordítja, a sütő elkezd sütni.

Ha 2 percnél rövidebb időt választ, fordítsa az időzítőt 2 percen túlra, majd térjen vissza a megfelelő időre.

**VIGYÁZAT: MINDIG VISSZATÁLLÍTTJA AZ IDŐZÍTŐT NULLA ÁLLAPOTBA,** ha az ételt eltávolították

a sütőből a beállított sütési idő lejártá előtt, vagy ha a sütő nincs használatban. A sütő sütési folyamat közbeni leállításához nyomja meg az ajtókioldó gombot, vagy nyissa ki az ajtót a fogantyúnál fogva.

# TISZTÍTÁS ÉS ÁPOLÁS

1. Tisztítás előtt kapcsolja ki a sütőt, és húzza ki a hálózati csatlakozót a fali aljzatból.
2. Tartsa tisztán a sütő belsejét. Ha ételfröccsenések vagy kiömlött folyadékok tapadnak a sütő falára, törölje le nedves ruhával. Enyhe mosószer használható, ha a sütő nagyon piszkos. Kerülje a spray és más durva tisztítószer használátát, mivel ezek foltot hagyhatnak, csíkozhatnak vagy tompíthatják az ajtó felületét.
3. A külső felületeket nedves ruhával kell megtisztítani. A sütő belsejében lévő működtető alkatrészek károsodásának elkerülése érdekében nem szabad megengedni, hogy víz szivároгjon be a szellőzőnyílásokba.
4. Az ajtó és az ablak mindkét oldalát, az ajtótomítéseket és a szomszédos részeket gyakran törölje át nedves ruhával, hogy eltávolítsa a kiömlött folyadékokat vagy fröccsenéseket. Ne használjon súrolószeres tisztítószeret.
5. Gőztisztítót nem szabad használni.
6. Ne hagyja, hogy a kezelőpanel nedves legyen. Puha, nedves ruhával tisztítsa meg. A kezelőpanel tisztításakor hagyja nyitva a sütő ajtaját, hogy megakadályozza a sütő véletlen bekapcsolását.

7. Ha a sütőajtó belsejében vagy külső oldalán gőz gyűlik össze, törölje le puha ruhával. Ez akkor fordulhat elő, ha a mikrohullámú sütőt magas páratartalom mellett üzemeltetik. És ez normális.
8. Az üvegtálcát időnként ki kell venni tisztítás céljából. Mossa ki a tálcát langyos, lápos vízben vagy mosogatógépben.
9. A görgőgyűrűt és a sütő padlóját rendszeresen tisztítani kell a túlzott zaj elkerülése érdekében. Egyszerűen törölje át a sütő alsó felületét enyhe tisztítószerrel. A görgőgyűrű mosható enyhe szappanos vízben vagy mosogatógépben. Amikor tisztítás céljából eltávolítja a görgőgyűrűt az üregpadlóról, ügyeljen arra, hogy a megfelelő pozícióban helyezze vissza.
10. Távolítsa el a szagokat a sütőből úgy, hogy egy csésze vizet egy citrom levével és héjával kombinál egy mély, mikrohullámú sütőbe tehető tálban, és 5 percig mikrózza. Alaposan törölje le és szárítsa meg puha ruhával.
11. Ha szükségessé válik a sütőfény cseréje, kérjük, forduljon a kereskedőhöz a cseréhez.
12. A sütőt rendszeresen tisztítani kell, és az esetleges ételmaradékokat el kell távolítani. Ha a sütőt nem tartják tiszta állapotban, az a felület romlásához vezethet, ami hátrányosan befolyásolhatja a készülék élettartamát, és esetleg veszélyes lehet.
13. Kérjük, ne dobja ezt a készüléket a háztartási szemetesbe; az önkormányzat által biztosított speciális hulladékgyűjtő központban kell elhelyezni.

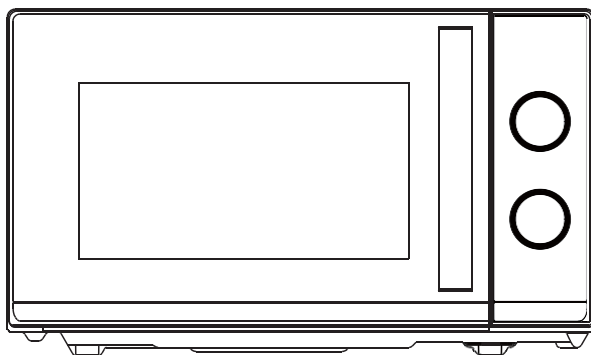


A készüléket az elektromos és elektronikus berendezések hulladékairól szóló, 2013. évi 2012/19/EU európai irányelvnek (WEEE) megfelelően címkézték. Az elektromos és elektronikus berendezések szennyező hatású (a környezetre esetlegesen káros) anyagokat és (újrahasznosítható) nyersanyagokat is tartalmazhatnak. A szennyező anyagok eltávolítása és az anyagok újrahasznosítása érdekében fontos, hogy az elektromos és elektronikus berendezéseket megfelelően kezeljék. A magánszemélyeknek ebben fontos szerepe lehet, amikor megbizonyosodnak róla, hogy az elektronikai hulladékok nem válnak környezetvédelmi problémává; létfontosságú néhány alapvető szabály betartása:

- Az elektromos és elektronikus berendezések anyagai nem kezelhetők háztartási hulladékként;
- az elektromos és elektronikus berendezéseket a helyi önkormányzat vagy egy nyilvántartott vállalat által kezelt gyűjtőponton szükséges ártalmatlanítani.

A nagyméretű elektromos és elektronikus berendezések esetén sok országban háztartási hulladékgyűjtő pontok állnak rendelkezésre. Új berendezés vásárlásakor az ilyen hulladékot ingyen vissza lehet vinni a kereskedőhöz, mennyiben a régi berendezés ugyanolyan típusú, mint az újonnan vásárolt, és azzal megegyező funkciójú.

# Istruzioni per il forno a microonde



Modello: CMW20TNMB

Leggere attentamente queste istruzioni prima di installare e mettere in funzione il forno.

<b>Haier Europe</b> CANYO Haier	<b>PT</b> 707 200 188 210 010 773	<b>IT</b> 02 400 48 200	<b>ES</b> 902 100 150 943 914 150	<b>DE</b> 0800 500 48 48
<b>BE</b> <b>LU</b> 02 752 94 10	<b>NL</b> 33 422 4000	<b>AT</b> 0820 220 224	<b>GR</b> 801 11 50 50 50	<b>CH</b> 0848 780 780

70017948



# INDICE

<b>SPECIFICHE</b> .....	<b>2</b>
<b>PRECAUZIONI PER EVITARE UNA POSSIBILE ESPOSIZIONE ALL'ECESSIVA ENERGIA DELLE MICROONDE</b> .....	<b>2</b>
<b>IMPORTANTI ISTRUZIONI DI SICUREZZA</b> .....	<b>3</b>
<b>GUIDA ALL'INSTALLAZIONE</b> .....	<b>6</b>
<b>INTERFERENZE RADIO</b> .....	<b>7</b>
<b>PRINCIPI DI COTTURA A MICROONDE</b> .....	<b>8</b>
<b>ISTRUZIONI DI MESSA A TERRA</b> .....	<b>8</b>
<b>PRIMA DI CHIAMARE L'ASSISTENZA</b> .....	<b>9</b>
<b>GUIDA AGLI UTENSILI</b> .....	<b>9</b>
<b>NOMI DEI PARTICOLARI</b> .....	<b>10</b>
<b>PANNELLO DI CONTROLLO</b> .....	<b>11</b>
<b>SELETTORE DI POTENZA/AZIONE</b> .....	<b>11</b>
<b>MANOPOLA TEMPORIZZ.</b> .....	<b>11</b>
<b>COTTURA A MICROONDE</b> .....	<b>11</b>
<b>FUNZIONAMENTO</b> .....	<b>12</b>
<b>PULIZIA E MANUTENZIONE</b> .....	<b>12</b>

# SPECIFICHE

Potenza assorbita:	230-240V/50 Hz, 1200 W (microonde)
Potenza nominale microonde:	700 W
Frequenza di funzionamento:	2450 MHz
Dimensioni esterne:	262 mm(H)×452mm(W)×346 mm(D)
Dimensioni del vano cottura:	198 mm(H)×315 mm(W)×297 mm(D)
Capacità forno:	Compatto 20 litri
Peso netto:	Circa 10,8 kg

## PRECAUZIONI PER EVITARE UNA POSSIBILE ESPOSIZIONE ALL'ECESSIVA ENERGIA DELLE MICROONDE

1. Non tentare di far funzionare questo forno con lo sportello aperto, poiché il funzionamento a sportello aperto può provocare un'esposizione dannosa all'energia delle microonde. È importante non manomettere gli interblocchi di sicurezza.
2. Non collocare alcun oggetto tra la parte anteriore del forno e lo sportello, né lasciare che residui di sporco o detersivi si accumulino sulle superfici di tenuta.
3. Non azionare il forno se danneggiato. È particolarmente importante che lo sportello del forno si chiuda correttamente e che non vi siano danni a
  - a. Porta (piegata),
  - b. Cerniere e chiusure (rotte o allentate),
  - c. Guarnizioni per sportelli e superfici di tenuta.
4. Il forno non deve essere regolato o riparato da nessuno, ad eccezione del personale di assistenza qualificato.

# IMPORTANTI ISTRUZIONI DI SICUREZZA

Quando si utilizzano elettrodomestici è necessario seguire le precauzioni di sicurezza di base, tra cui le seguenti:

**AVVERTENZA!**-- Per ridurre il rischio di ustioni, scosse elettriche, incendi, lesioni alle persone o l'esposizione a un'eccessiva energia delle microonde:

1. Utilizzare l'elettrodomestico solo per l'uso previsto come descritto nel presente manuale. Non utilizzare prodotti chimici corrosivi o vapori nell'elettrodomestico. Questo tipo di forno è specificamente progettato per riscaldare, cuocere o essiccare gli alimenti. Non è progettato per uso industriale o di laboratorio.
2. Non azionare il forno quando è vuoto.
3. Non mettere in funzione l'elettrodomestico se ha un cavo o una spina danneggiati, se non funziona correttamente o se è stato danneggiato o è caduto. Se il cavo di alimentazione dell'elettrodomestico dovesse essere danneggiato, farlo sostituire dal produttore, dal suo servizio tecnico o da un tecnico qualificato, per evitare rischi.
4. **AVVERTENZA!**-- Consentire ai bambini di utilizzare il forno senza sorveglianza solo quando sono state date istruzioni adeguate affinché il bambino sia in grado di utilizzare il forno in modo sicuro e comprenda i rischi di un uso improprio.
5. Per ridurre il rischio di incendio nel vano di cottura:
  - Quando si riscaldano alimenti in contenitori di plastica o di carta, tenere sotto controllo il forno per la possibilità di incendi.
  - Rimuovere i fili ritorti da sacchetti di carta o di plastica prima di mettere il sacchetto nel forno.
  - In presenza di fumo, spegnere l'elettrodomestico o staccarlo dall'alimentazione e mantenere lo sportello chiuso onde soffocare le eventuali fiamme.
  - Non utilizzare il vano del forno per la conservazione. Non lasciare prodotti di carta, utensili da cucina o alimenti nel vano del forno quando non è in uso.
  - Il forno a microonde è destinato al riscaldamento di alimenti e bevande. L'asciugatura di cuscinetti riscaldanti, pantofole, spugne, panni umidi e simili possono comportare il rischio di lesioni, accensione o incendio.
6. **AVVERTENZA!**-- I liquidi e altri alimenti non devono essere scaldati in contenitori sigillati poiché potrebbero esplodere.

7. Il riscaldamento a microonde delle bevande può causare un'ebollizione ritardata con proiezioni di liquidi, pertanto è necessario prestare attenzione durante la manipolazione del contenitore.
8. Non friggere alimenti nel forno. L'olio caldo può danneggiare le parti del forno e gli utensili e persino causare ustioni alla pelle.
9. Le uova nel guscio e le uova sode intere non devono essere riscaldate nei forni a microonde, poiché possono esplodere anche dopo la fine del riscaldamento a microonde.
10. Forare gli alimenti con bucce pesanti come patate, zucche intere, mele e castagne prima della cottura.
11. Il contenuto dei biberon e dei vasetti di omogeneizzati deve essere mescolato o agitato e la temperatura deve essere controllata prima di servire per evitare ustioni.
12. Gli utensili da cucina possono surriscaldarsi a causa del calore trasferito dal cibo riscaldato. Per maneggiare l'utensile possono essere necessarie le presine.
13. Gli utensili devono essere controllati per verificare che siano adatti all'uso nel forno a microonde.
14. **AVVERTENZA!--** È pericoloso per tutti, ad eccezione del personale addetto, eseguire qualsiasi operazione di manutenzione o di riparazione che implichi la rimozione di qualunque coperchio di protezione contro l'esposizione all'energia microonde.
15. Questo prodotto è un'apparecchiatura ISM di classe B del Gruppo 2. La definizione del Gruppo 2 che comprende tutte le apparecchiature ISM (industriali, scientifiche e mediche) in cui l'energia a radiofrequenza è generata intenzionalmente e/o utilizzata sotto forma di radiazioni elettromagnetiche per il trattamento dei materiali e le apparecchiature per l'erosione a scintilla. Per apparecchiature di classe B si intendono apparecchiature adatte all'uso in luoghi domestici e in sedi direttamente collegate ad una rete di alimentazione a bassa tensione che alimenta gli edifici adibiti ad uso domestico.
16. Questo elettrodomestico non è da intendersi adatto all'uso da parte di persone (incluso bambini) con ridotte capacità fisiche, sensoriali o mentali, o prive di esperienza e conoscenza, a meno che siano state supervisionate o istruite riguardo all'uso dell'elettrodomestico da una persona responsabile della loro sicurezza.
17. I bambini devono essere supervisionati per assicurarsi che non giochino con l'elettrodomestico.

18. Il forno a microonde viene utilizzato solo in versione indipendente.
19. **AVVERTENZA!**-- Non installare il forno sopra un piano di cottura o altro elettrodomestico che produce calore. Se installato in questo modo potrebbe essere danneggiato e la garanzia diventerebbe nulla.
20. Il forno a microonde non deve essere collocato in un mobile.
21. **AVVERTENZA:** l'elettrodomestico e le sue parti accessibili diventano calde durante l'uso.
22. **AVVERTENZA!**-- Durante l'utilizzo le parti accessibili possono diventare calde. I bambini piccoli devono essere mantenuti a distanza.
23. Durante l'uso l'elettrodomestico diventa caldo. Fare attenzione a non toccare le resistenze di riscaldamento all'interno del forno, per i ripiani di cottura e nei forni.
24. La temperatura delle superfici accessibili può essere elevata quando l'elettrodomestico è in funzione.
25. L'elettrodomestico deve essere posizionato contro una parete.
26. L'elettrodomestico non deve essere utilizzato da bambini o persone con ridotte capacità fisiche, sensoriali o mentali, o con scarsa esperienza e conoscenza, a meno che non siano stati supervisionati o istruiti.
27. **AVVERTENZA!**-- Se lo sportello o la guarnizione dello sportello sono danneggiati, il forno non dev'essere utilizzato fino a quando non è stato riparato da personale competente
28. Gli elettrodomestici non sono concepiti per funzionare con temporizzatori esterni o con sistemi di comando a distanza separati.
29. Il forno a microonde è solo per uso domestico e non per uso commerciale.
30. Non rimuovere mai il distanziatore sul retro o sui lati, in quanto garantisce una distanza minima dalla parete per la circolazione dell'aria.
31. Fissare il piatto rotante prima di spostare l'elettrodomestico per evitare danni.
32. **ATTENZIONE!**-- È pericoloso fare riparare o sottoporre a manutenzione l'elettrodomestico da personale non specializzato, poiché in queste circostanze è necessario rimuovere la copertura che garantisce la protezione contro le radiazioni a microonde. Questo vale anche per la sostituzione del cavo di alimentazione o dell'illuminazione. In questi casi, inviare l'elettrodomestico al nostro centro di assistenza.
33. Il forno a microonde è destinato esclusivamente allo scongelamento, alla cottura e alla cottura a vapore degli alimenti.
34. Utilizzare i guanti se si rimuovono gli alimenti riscaldati.
35. Attenzione! Il vapore fuoriesce quando si aprono i coperchi o la pellicola avvolgente.

36. L'elettrodomestico può essere utilizzato da bambini di età superiore a 8 anni e da persone con ridotte capacità fisiche, sensoriali o mentali, oppure prive di esperienza e conoscenza, se supervisionate o istruite riguardo all'uso dell'elettrodomestico in sicurezza, e se comprendono i rischi che derivano dall'uso dello stesso. I bambini non devono giocare con l'elettrodomestico. La pulizia o la manutenzione da parte dell'utente non deve essere eseguita da bambini a meno che non abbiano più di 8 anni e siano sorvegliati.
37. In presenza di fumo, spegnere l'elettrodomestico o staccarlo dall'alimentazione e mantenere lo sportello chiuso onde soffocare le eventuali fiamme.

## GUIDA ALL'INSTALLAZIONE

1. Assicurarsi che tutti i materiali di imballaggio siano stati rimossi dall'interno dello sportello.
2. **AVVERTENZA:** Controllare che il forno non presenti danni, come porta non allineata o piegata, guarnizioni e superfici di tenuta danneggiate, cerniere e chiusure della porta rotte o allentate e ammaccature all'interno del vano di cottura o sulla porta. In caso di danni, non mettere in funzione il forno e contattare il personale di assistenza qualificato.
3. Questo forno a microonde deve essere posizionato su una superficie piana e stabile per sostenere il suo peso e gli alimenti più pesanti che possono essere cotti all'interno del forno.
4. Non collocare il forno in luoghi in cui si generano calore, umidità, anche elevata, o in prossimità di materiali combustibili.
5. Per un corretto funzionamento, il forno deve avere un flusso d'aria sufficiente. Lasciare 20 cm di spazio sopra il forno, 10 cm sul retro e 5 cm su entrambi i lati. Non coprire o bloccare le aperture dell'elettrodomestico. Non rimuovere i piedini.
6. Non mettere in funzione il forno senza il vassoio in vetro, il supporto a rulli e il perno nella posizione corretta.
7. Accertarsi che il cavo di alimentazione non sia danneggiato e non si trovi sotto il forno o su superfici calde o taglienti.
8. La presa deve essere facilmente accessibile in modo da poter essere facilmente scollegata in caso di emergenza.
9. Non collocare l'elettrodomestico in ambienti esterni.

# INTERFERENZE RADIO

Il funzionamento del forno a microonde può causare interferenze con la radio, la TV o apparecchiature simili. In presenza di interferenze, queste possono essere ridotte o eliminate adottando le seguenti precauzioni:

1. Pulire lo sportello e la superficie di tenuta del forno.
2. Orientare nuovamente l'antenna di ricezione della radio o della televisione.
3. Riposizionare il forno a microonde rispetto al ricevitore.
4. Allontanare il forno a microonde dal ricevitore.
5. Collegare il forno a microonde ad una presa diversa in modo che il forno a microonde e il ricevitore si trovino su circuiti di derivazione diversi.

# PRINCIPI DI COTTURA A MICROONDE

1. Disporre gli alimenti con cura. Posizionare le parti più spesse verso l'esterno del piatto.
2. Controllare l'orario di cottura. Cuocere per il minor tempo indicato e aggiungere ulteriore tempo se necessario. Gli alimenti molto cotti possono produrre fumo o infiammarsi.
3. Coprire gli alimenti durante la cottura. Le coperture prevengono gli schizzi e aiutano la cottura uniforme degli alimenti.
4. Girare gli alimenti una volta durante la cottura a microonde per velocizzare la cottura di alimenti come pollo e hamburger. Alimenti di grandi dimensioni come gli arrostiti devono essere capovolti almeno una volta.
5. Girare gli alimenti come le polpette a metà cottura sia dall'alto verso il basso che dal centro del piatto verso l'esterno.

## ISTRUZIONI DI MESSA A TERRA

Questo elettrodomestico deve essere collegato a terra. Questo forno è dotato di un cavo con filo di messa a terra e spina di messa a terra. Deve essere inserito in una presa a muro correttamente installata e messa a terra. In caso di corto circuito elettrico, la messa a terra riduce il rischio di scosse elettriche fornendo un filo di fuga per la corrente elettrica. Si raccomanda di prevedere un circuito separato che serva solo il forno. L'uso di una tensione elevata è pericoloso e può provocare un incendio o altri incidenti che possono causare danni al forno.

**AVVERTENZA** L'uso non corretto della spina di messa a terra può portare al rischio di scosse elettriche.

### **Nota:**

1. In caso di domande sulla messa a terra o sulle istruzioni elettriche, consultare un elettricista qualificato o un tecnico dell'assistenza.
2. Né il produttore né il rivenditore si assumono alcuna responsabilità per danni al forno o lesioni personali derivanti dalla mancata osservanza delle procedure di collegamento elettrico.

I fili di questo cavo principale sono colorati secondo il seguente codice:

**Verde e giallo = TERRA**

**Blu = NEUTRO**



## PRIMA DI CHIAMARE L'ASSISTENZA

Se il forno non funziona:

1. Controllare che il forno sia collegato perfettamente. In caso contrario, rimuovere la spina dalla presa, attendere 10 secondi e reinserirla a fondo.
2. Controllare la presenza di un fusibile bruciato o di un salvamotore scattato. Se tutto sembra funzionare correttamente, provare la presa di corrente con un altro elettrodomestico.
3. Verificare che il pannello di controllo sia programmato correttamente e che il timer sia impostato.
4. Verificare che la porta sia chiusa saldamente innestando il sistema di blocco di sicurezza della porta. In caso contrario, l'energia delle microonde non passa nel forno.

SE NESSUNO DI QUESTI INTERVENTI RISOLVE LA SITUAZIONE, CONTATTARE UN TECNICO QUALIFICATO. NON CERCARE DI REGOLARE O RIPARARE IL FORNO DA SOLI.

## GUIDA AGLI UTENSILI

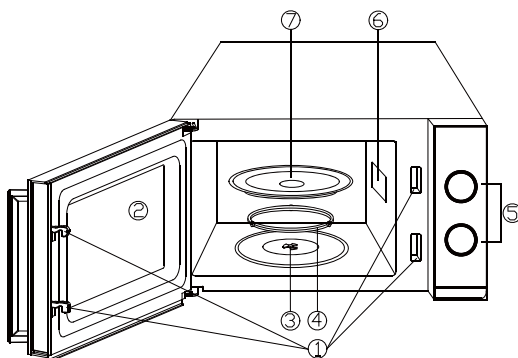
1. Le microonde non possono penetrare il metallo. Utilizzare solo utensili adatti per l'uso nei forni a microonde. Non sono ammessi contenitori metallici per alimenti e bevande durante la cottura a microonde. Questo requisito non è applicabile se il produttore specifica le dimensioni e la forma dei contenitori metallici adatti alla cottura a microonde.
2. Le microonde non possono penetrare nel metallo, quindi non si devono usare utensili o stoviglie in metallo con finiture metalliche.
3. Non utilizzare prodotti di carta riciclata per la cottura a microonde, in quanto possono contenere piccoli frammenti metallici che possono causare scintille e/o incendi.
4. Si consigliano piatti rotondi/ovali piuttosto che quadrati/oblunghi, dato che il cibo negli angoli tende a cuocere eccessivamente.
5. È possibile utilizzare strisce strette di foglio di alluminio per evitare il surriscaldamento delle aree esposte. Ma attenzione a non usarne troppo e a mantenere una distanza di 1 pollice (2,54 cm) tra la pellicola e la cavità.

L'elenco che segue è una guida generale per aiutarvi a selezionare gli utensili corretti.

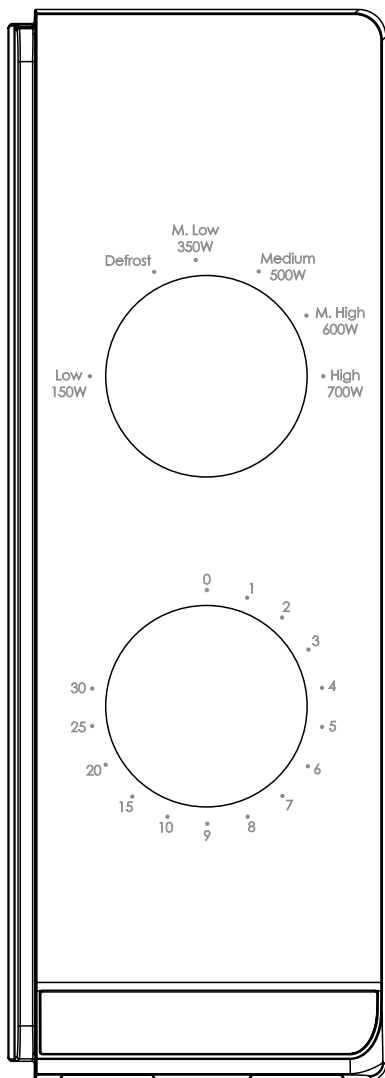
TIPI DI PENTOLE	MICROONDE
Vetro termoresistente	Sì
Vetro non termoresistente	No
Ceramica termoresistente	Sì
Piatto di plastica adatto al microonde	Sì
Carta da cucina	Sì
Vassoio in metallo	No
Ripiano in metallo	No
Pellicola di alluminio e contenitori in pellicola di alluminio	No

## NOMI DEI PARTICOLARI

1. Sistema di blocco di sicurezza porta
2. Finestra del forno
3. Perno
4. Anello a rulli
5. Pannello di controllo
6. Guida onde  
(Si prega di non rimuovere la piastra di mica che copre la guida d'onda)
7. Vassoio in vetro



# PANNELLO DI CONTROLLO



Il pannello di controllo è composto da due operatori di funzione. Una è una manopola per il timer e un'altra per la potenza.

## **SELETORE DI POTENZA/AZIONE**

Si usa questa manopola operatore per scegliere un livello di potenza di cottura. È il primo passo per iniziare una sessione di cucina.

## **MANOPOLA TEMPORIZZ.**

Offre impostazioni visive di temporizzazione con un semplice giro del pollice per selezionare un tempo di cottura desiderato fino a 30 minuti per sessione di cottura.

## **COTTURA A MICROONDE**

Per la pura cottura a microonde, ci sono sei livelli di potenza tra cui scegliere quello più adatto a fare il lavoro in questione.

Il livello di potenza aumenta con la rotazione della manopola in senso orario. I livelli di potenza possono essere classificati come segue:

	Potenza di Uscita	Descrizione
1	700 W	CONSEGNA
2	600 W	M.ALTA
3	500W	MED
4	350 W	M.BASSO
5		SCONGELAMENTO
6	150 W	BASSA

# FUNZIONAMENTO

Per iniziare una sessione di cucina,

1. Mettere il cibo nel forno e chiudere la porta.
2. Ruotare il selettore di potenza per selezionare un livello di potenza.
3. Utilizzare la manopola Timer per impostare un tempo di cottura

## **NOTA:**

Non appena il timer viene girato, il forno inizia a cuocere.

Quando si seleziona il tempo per meno di 2 minuti, girare il timer oltre i 2 minuti e poi tornare al tempo corretto.

**PRECAUZIONE: RIPORTARE SEMPRE IL TIMER IN POSIZIONE ZERO** se il cibo viene rimosso

dal forno prima che il tempo di cottura impostato sia completo o quando il forno non è in uso. Per fermare il forno durante il processo di cottura, premere il pulsante di rilascio dello sportello o aprire lo sportello dalla maniglia.

# PULIZIA E MANUTENZIONE

1. Spegnerne il forno e togliere la spina di alimentazione dalla presa a muro prima della pulizia.
2. Pulizia all'interno del vano cottura. Quando schizzi di alimenti o liquidi versati aderiscono alle pareti del forno, strofinare con un panno umido. Se il forno è molto sporco, è possibile utilizzare un detergente delicato. Evitare l'uso di spray e altri detergenti aggressivi in quanto possono macchiare, striare o opacizzare la superficie della porta.
3. Le superfici esterne devono essere pulite con un panno umido. Per evitare danni alle parti operative all'interno del forno, non lasciare che l'acqua penetri nelle aperture di ventilazione.
4. Pulire lo sportello e il vetro su entrambi i lati, le guarnizioni dello sportello e le parti adiacenti frequentemente con un panno umido per rimuovere eventuali fuoriuscite o spruzzi. Non utilizzare detergenti aggressivi.
5. Si sconsiglia l'utilizzo di una pulitrice a vapore.
6. Non lasciare che il pannello di controllo si bagni. Pulire con un panno morbido e umido. Durante la pulizia del pannello di controllo, lasciare lo sportello del forno aperto per evitare che il forno si accenda accidentalmente.

7. Se il vapore si accumula all'interno o all'esterno dello sportello del forno, strofinare con un panno morbido. Ciò può verificarsi quando il forno a microonde viene utilizzato in condizioni di elevata umidità. Tutto questo è normale.
8. Occasionalmente è necessario rimuovere il vassoio in vetro per la pulizia. Lavare il vassoio in acqua tiepida insaponata o in lavastoviglie.
9. L'anello a rulli e il fondo del forno devono essere puliti regolarmente per evitare rumori eccessivi. Pulire semplicemente la superficie inferiore del forno con un detergente delicato. L'anello a rullini può essere lavato in acqua tiepida insaponata o in lavastoviglie. Quando si rimuove l'anello a rullini dal fondo del vano di cottura per la pulizia, assicurarsi di riposizionarlo nella posizione corretta.
10. Rimuovere gli odori dal forno mescolando una tazza d'acqua con il succo e la buccia di un limone in una ciotola profonda adatta per microonde, e riscaldandola per 5 minuti. Risciacquare accuratamente e asciugare con un panno morbido.
11. Quando si rende necessaria la sostituzione della lampada del forno, consultare un rivenditore per la sua sostituzione.
12. Il forno deve essere pulito regolarmente e gli eventuali depositi di alimenti devono essere rimossi. La mancata conservazione del forno in condizioni di pulizia può portare ad un deterioramento della superficie che potrebbe compromettere la vita dell'elettrodomestico e causare una situazione di pericolo.
13. Non gettare l'elettrodomestico nel cestino dei rifiuti domestici; deve essere smaltito in un apposito centro di smaltimento messo a disposizione dai comuni.

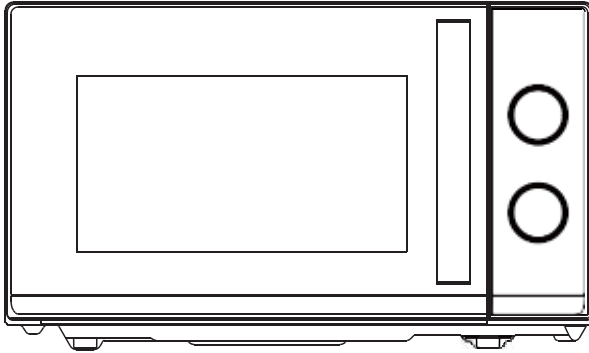


Questo apparecchio è etichettato in conformità alla direttiva europea 2012/19/UE sui rifiuti di apparecchiature elettriche ed elettroniche (Waste Electrical and Electronic Equipment Regulations 2013) per quanto riguarda le apparecchiature elettriche ed elettroniche (WEEE). I RAEE contengono sia sostanze inquinanti (che possono avere un effetto negativo sull'ambiente) sia elementi base (che possono essere riutilizzati). È importante che i RAEE siano sottoposti a trattamenti specifici in modo da togliere e smaltire in modo corretto gli inquinanti e recuperare tutti i materiali. Spetta ai singoli individui garantire che i RAEE non diventino un problema a livello ambientale. Esistono alcune regole specifiche da rispettare:

- i RAEE non devono essere trattati come rifiuti domestici;
- i RAEE devono essere portati nelle aree di smaltimento specifiche, gestite dai comuni o da società autorizzate.












In molti stati, nel caso di RAEE di grandi dimensioni sono disponibili servizi di prelievo a domicilio. Nel caso di acquisto di un nuovo elettrodomestico, quello vecchio può essere restituito al venditore che lo deve accettare gratuitamente in un'unica soluzione, a condizione che l'elettrodomestico sia di tipo simile ed abbia le stesse funzioni di quello acquistato.

# Instruções do forno de microondas



Modelo: CMW20TNMB

Leia atentamente estas instruções antes de instalar e operar o forno.

<b>Haier Europe</b> <small>CANOPY</small>  <b>Haier</b>	<b>PT</b>  707 200 188 210 010 773	<b>IT</b>  02 400 48 200	<b>ES</b>  902 100 150 943 914 150	<b>DE</b>  0800 500 48 48
<b>BE</b>  <b>LU</b>  02 752 94 10	<b>NL</b>  33 422 4000	<b>AT</b>  0820 220 224	<b>GR</b>  801 11 50 50 50	<b>CH</b>  0848 780 780

70017948

# CONTEÚDOS

ESPECIFICAÇÕES .....	2
PRECAUÇÕES PARA EVITAR POSSÍVEIS EXPOSIÇÕES À ENERGIA EXCESSIVA DE MICRO-ONDAS .....	2
INSTRUÇÕES DE SEGURANÇA IMPORTANTES.....	3
GUIA DE INSTALAÇÃO.....	6
INTERFERÊNCIAS ELECTROMAGNÉTICAS.....	6
PRINCÍPIOS DE COZEDURA POR MICROONDAS.....	7
INSTRUÇÕES DE LIGAÇÃO À TERRA.....	7
ANTES DE ENTRAR EM CONTACTO COM OS SERVIÇOS DE ASSISTÊNCIA TÉCNICA.....	8
GUIA UTENSILS.....	8
NOMES DAS PEÇAS .....	9
PAINEL DE CONTROLO .....	10
SELECTOR DE POTÊNCIA/ACÇÃO .....	10
BOTÃO DO TEMPORIZADOR .....	10
COZIMENTO COM MICROONDAS .....	10
OPERAÇÃO .....	11
LIMPEZA E MANUTENÇÃO .....	11

# ESPECIFICAÇÕES

Consumo de Energia:	230-240V/50 Hz, 1200 W (Microondas)
Potência nominal de potência de microondas:	700 W
Frequência de funcionamento:	2450MHz
Dimensões externas:	262 mm(A)×452mm(L)×346 mm(P)
Dimensões do interior do forno:	198 mm(A)×315 mm(L)×297 mm(P)
Capacidade do Forno:	Compacto 20 litros
Peso Líquido:	Aprox.10.8 kg

## PRECAUÇÕES PARA EVITAR POSSÍVEIS EXPOSIÇÕES À ENERGIA EXCESSIVA DE MICRO-ONDAS

1. Não tente operar este forno com a porta aberta, uma vez que o funcionamento com a porta aberta pode resultar em exposição nociva à energia de microondas. É importante não derrotar ou adulterar as travas de segurança.
2. Não colocar nenhum objeto entre a face frontal do forno e a porta ou permitir que se acumulem resíduos nas superfícies vedantes.
3. Não operar o forno se este estiver danificado. É particularmente importante que a porta do forno se feche correctamente e que não haja danos no
  - a. Porta (dobrada),
  - b. Dobradiças e fechos (quebrados ou afrouxados),
  - c. Selagem de portas e superfícies de selagem.
4. O forno não deve ser ajustado ou reparado por ninguém, excepto por pessoal de serviço devidamente qualificado.



# INSTRUÇÕES DE SEGURANÇA IMPORTANTES

Ao utilizar aparelhos eléctricos devem ser seguidas as precauções básicas de segurança, incluindo as seguintes:

**ADVERTÊNCIA!**--Diminuir o risco de queimaduras, choques eléctricos, incêndios, ferimentos em pessoas ou exposição a energia excessiva de microondas:

1. Utilizar este aparelho apenas para o seu uso pretendido, tal como descrito no manual. Nunca utilize produtos corrosivos neste forno, nem permita que ele seja exposto a vapores de produtos corrosivos. Este tipo de forno é especificamente concebido para aquecer, cozinhar ou secar alimentos. Ele não foi concebido para uma utilização industrial nem laboratorial.
2. NUNCA utilize o forno quando este estiver vazio.
3. Não operar este aparelho se tiver um cabo ou ficha danificados, se não estiver a funcionar correctamente, ou se tiver sido danificado ou caído. Se o cabo de alimentação estiver danificado, deve ser substituído pelo fabricante, pelo seu agente de serviço ou por pessoa qualificada, para evitar perigo.
4. **ADVERTÊNCIA!**--Apenas permitir que as crianças utilizem o forno sem supervisão quando tiverem sido dadas instruções adequadas para que a criança possa utilizar o forno de uma forma segura e compreenda os perigos de uma utilização inadequada.
5. Para reduzir o risco de incêndio na cavidade do forno:
  - Ao aquecer alimentos em recipientes de plástico ou papel, vigiar o forno devido à possibilidade de inflamação.
  - Remover os cordões de arame dos sacos de papel ou plástico antes de colocar o saco no forno.
  - Se fizer fumo, desligar o aparelho e manter a porta fechada para abafar algumas chamas.
  - Não utilizar a cavidade para fins de armazenamento. Não deixar produtos de papel, utensílios de cozinha, ou alimentos na cavidade quando não estiverem a ser utilizados.
  - O forno de microondas destina-se ao aquecimento de alimentos e bebidas. A secagem de alimentos ou vestuário e o aquecimento de almofadas de aquecimento, chinelos, esponjas, pano húmido e similares podem levar ao risco de ferimentos, ignição ou fogo.
6. **ADVERTÊNCIA!**--Os líquidos ou outros alimentos não devem ser aquecidos em recipientes selados, uma vez que são susceptíveis de explodir.
7. O aquecimento por microondas de bebidas pode resultar em fervura eruptiva retardada, pelo que se deve ter cuidado ao manusear o recipiente.

8. Não fritar os alimentos no forno. O óleo quente pode danificar partes do forno e utensílios e até resultar em queimaduras na pele.
9. Nunca cozinhe ovos com casca nem aqueça ovos cozidos inteiros no forno microondas, pois corre o risco de eles explodirem depois de o forno se desligar.
10. Perfurar alimentos com peles pesadas, tais como batatas, abóboras inteiras, maçãs e castanhas antes de cozinhar.
11. O conteúdo dos biberões e boiões de comida para bebé deve ser mexido ou abanado e a temperatura deve ser verificada antes de servir, a fim de evitar queimaduras.
12. Os utensílios de cozinha podem ficar quentes por causa do calor transferido dos alimentos aquecidos. Podem ser necessários porta-objectos para manusear o utensílio.
13. Os utensílios devem ser verificados para garantir que são adequados para utilização em fornos de microondas.
14. **ADVERTÊNCIA!**--É perigoso para qualquer pessoa que não seja uma pessoa treinada realizar qualquer serviço ou operação de reparação que envolva a remoção de qualquer cobertura que dê protecção contra a exposição à energia de microondas.
15. Este produto é um equipamento ISM Classe B do Grupo 2. A definição do Grupo 2 que contém todo o equipamento ISM (Industrial, Científico e Médico) em que a energia de radiofrequência é intencionalmente gerada e/ou utilizada sob a forma de radiação electromagnética para o tratamento do material, e o equipamento de centelha de erosão. Para a classe B, o equipamento é adequado para utilização em estabelecimentos domésticos e em estabelecimentos directamente ligados a uma rede de alimentação eléctrica de baixa tensão que abastece edifícios utilizados para fins domésticos.
16. Este aparelho não se destina a ser utilizado por pessoas (incluindo crianças) com capacidades físicas, sensoriais ou mentais reduzidas, ou falta de experiência e conhecimento, exceto se tiverem recebido instruções relativas à utilização do mesmo por uma pessoa responsável pela sua segurança.
17. As crianças devem ser supervisionadas para garantir que não brincam com o equipamento.
18. O forno de microondas só é utilizado em regime de livre utilização.
19. **ADVERTÊNCIA!**--Não instalar o forno sobre um fogão de gama ou outro aparelho produtor de calor. se instalado poderia ser danificado e a garantia seria evitada .
20. O forno de microondas não deve ser colocado num armário.
21. **AVISO:** o equipamento e as partes acessíveis estão quentes durante a utilização.

22. **ADVERTÊNCIA!**--As partes acessíveis podem ficar quentes durante a utilização. As crianças pequenas devem ser mantidas afastadas.
23. Durante a utilização, o aparelho fica quente. Deve-se ter o cuidado de evitar tocar nos elementos de aquecimento no interior do forno, para cozer ao ar livre e fornos.
24. A temperatura das superfícies acessíveis pode ser elevada quando o aparelho está em funcionamento.
25. O aparelho deve ser colocado contra uma parede.
26. O aparelho não deve ser usado por crianças ou pessoas com capacidades físicas, sensoriais ou mentais reduzidas, ou com falta de experiência e conhecimento, a menos que tenham recebido supervisão ou instruções.
27. **ADVERTÊNCIA!**--Se a porta ou as juntas da porta forem danificadas, o forno não deve ser operado até que tenha sido reparado por uma pessoa competente.
28. O equipamento não foi desenhado para ser operado através de um temporizador externo ou sistema de controlo remoto separado.
29. O forno de microondas é apenas para uso doméstico e não para uso comercial.
30. Nunca remover o suporte de distância na parte de trás ou nos lados, pois garante uma distância mínima da parede para a circulação de ar.
31. Por favor, prenda o prato antes de mover o aparelho para evitar danos.
32. **CUIDADO!**--É perigoso reparar ou manter o aparelho apenas por um especialista, porque nestas circunstâncias a cobertura tem de ser removida, o que assegura a protecção contra a radiação de microondas. Isto aplica-se também à mudança do cabo de alimentação ou da iluminação. Enviar o aparelho nestes casos para o nosso centro de serviços.
33. O forno de microondas destina-se apenas à descongelação, cozedura e estufagem de alimentos.
34. Usar luvas se remover qualquer alimento aquecido.
35. Cuidado! O vapor escapará, ao abrir as tampas ou ao embrulhar a folha.
36. Este equipamento pode ser usado por crianças a partir dos 8 anos de idade e por pessoas com incapacidade física, sensorial ou mental, ou sem experiência e conhecimentos para o fazer, desde que supervisionadas ou devidamente orientadas relativamente ao uso seguro do equipamento e sobre os perigos envolvidos. As crianças não podem brincar com o equipamento. A limpeza e a manutenção não devem ser efetuadas por crianças, a não ser que tenham mais de 8 anos e que sejam supervisionadas.
37. Se fizer fumo, desligar o aparelho e manter a porta fechada para abafar algumas chamas.

# GUIA DE INSTALAÇÃO

1. Certificar-se de que todos os materiais de embalagem são removidos do interior da porta.
2. **AVISO:** Verificar o forno quanto a quaisquer danos, tais como portas desalinhadas ou dobradas, vedações de portas e superfície de vedação danificadas, dobradiças de portas partidas ou soltas e fechos e amolgadelas no interior da cavidade ou na porta. Se houver algum dano, não operar o forno e contactar pessoal de serviço qualificado.
3. Este forno microondas deve ser colocado sobre uma superfície plana e estável para manter o seu peso e os alimentos mais pesados susceptíveis de serem cozinhados no forno.
4. Não colocar o forno onde é gerado calor, humidade, ou humidade elevada, ou perto de materiais combustíveis.
5. Para um funcionamento correcto, o forno deve ter fluxo de ar suficiente. Deixar 20cm de espaço acima do forno, 10cm atrás e 5cm em ambos os lados. Não cubra nem bloqueie quaisquer aberturas no aparelho. Não retirar os pés.
6. Não operar o forno sem bandeja de vidro, suporte de rolos, e eixo nas suas posições adequadas.
7. Certifique-se de que o cabo de alimentação não está danificado e não corre sob o forno ou sobre qualquer superfície quente ou afiada.
8. A tomada deve ser facilmente acessível para que possa ser facilmente desconectada em caso de emergência.
9. Não utilizar o forno ao ar livre.

## INTERFERÊNCIAS ELECTROMAGNÉTICAS

O funcionamento do forno de microondas pode causar interferências no seu rádio, televisão ou equipamento semelhante. Quando há interferência, esta pode ser reduzida ou eliminada através da adopção das seguintes medidas:

1. Limpar a porta e a superfície de vedação do forno.
2. Reorientar a antena de recepção de rádio ou televisão.
3. Mudar a localização do forno de microondas em relação ao receptor.
4. Afastar o forno de microondas do receptor.
5. Ligar o forno de microondas a uma tomada diferente para que o forno de microondas e o receptor estejam em circuitos de ramificação diferentes.

# PRINCÍPIOS DE COZEDURA POR MICROONDAS

1. Organizar cuidadosamente os alimentos. Colocar as áreas mais espessas em direcção ao exterior do prato.
2. Observar o tempo de cozedura. Cozinhar durante o menor período de tempo indicado e adicionar mais conforme necessário. Os alimentos muito cozinhados podem fumar ou incendiar-se.
3. Cobrir os alimentos enquanto cozinham. As coberturas evitam salpicos e ajudam os alimentos a cozinhar de forma homogénea.
4. Virar os alimentos uma vez durante a cozedura no microondas para acelerar a cozedura de alimentos como o frango e os hambúrgueres. Grandes itens como assados devem ser virados pelo menos uma vez.
5. Reorganizar alimentos tais como almôndegas a meio caminho da cozedura tanto de cima para baixo como do centro do prato para o exterior.

## INSTRUÇÕES DE LIGAÇÃO À TERRA

Este aparelho deve ser ligado à terra. Este forno está equipado com um cordão com um fio de aterramento com uma ficha de aterramento. Deve ser ligado a um recipiente de parede devidamente instalado e ligado à terra. No caso de um curto-circuito, a ligação à terra reduz o risco de choque eléctrico ao fornecer um fio de fuga para a corrente eléctrica. Recomenda-se que seja fornecido um circuito separado que sirva apenas o forno. A utilização de alta voltagem é perigosa e pode resultar num incêndio ou outro acidente causando danos no forno.

**AVISO** O uso impróprio da ficha de ligação à terra pode resultar num risco de choque eléctrico.

**Nota:**

1. Se tiver quaisquer perguntas sobre a ligação à terra ou instruções eléctricas, consulte um electricista qualificado ou uma pessoa de serviço.
2. Nem o fabricante nem o revendedor podem aceitar qualquer responsabilidade por danos no forno ou ferimentos pessoais resultantes da não observância dos procedimentos de ligação eléctrica.

Os fios neste cabo principal são coloridos de acordo com o seguinte código:

**Verde e amarelo TERRA**

**Azul = Neutro**

**Marrom = Vivo**

## **ANTES DE ENTRAR EM CONTACTO COM OS SERVIÇOS DE ASSISTÊNCIA TÉCNICA**

Se o forno não funcionar:

1. Verificar se o forno está ligado com segurança. Se não for, remover a ficha da tomada, esperar 10 segundos, e ligá-la novamente com segurança.
2. Verificar se há um fusível queimado ou um disjuntor principal activado. Se estes parecerem estar a funcionar correctamente, testar a tomada com outro aparelho.
3. Verificar se o painel de controlo está programado correctamente e se o temporizador está definido.
4. Verificar se a porta está fechada de forma segura, encaixando o sistema de fecho de segurança da porta. Caso contrário, a energia de microondas não irá fluir para o forno.

**SE NENHUMA DAS SITUAÇÕES ACIMA REFERIDAS RECTIFICAR A SITUAÇÃO, ENTÃO CONTACTAR UM TÉCNICO QUALIFICADO. NÃO TENHA AJUSTAR OU REPARAR O FORNO VOCÊ MESMO.**

## **GUIA UTENSÍLS**

1. As micro-ondas não conseguem penetrar o metal. Utilizar apenas utensílios adequados para utilização em fornos de microondas. Os recipientes metálicos para alimentos e bebidas não são permitidos durante a cozedura no microondas. Este requisito não é aplicável se o fabricante especificar o tamanho e a forma dos recipientes metálicos adequados para cozinhar no microondas.
2. As microondas não podem penetrar o metal, pelo que não devem ser utilizados utensílios metálicos ou pratos com guarnições metálicas.

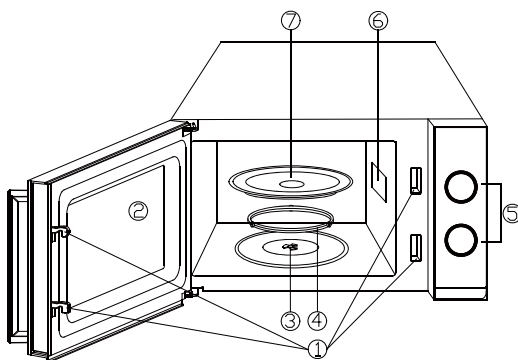
3. Não utilizar produtos de papel reciclado ao cozinhar no microondas, pois podem conter pequenos fragmentos de metal que podem causar faíscas e/ou incêndios.
4. Recomenda-se pratos redondos/ovais em vez de quadrados/oblongos, uma vez que a comida nos cantos tende a cozer em demasia.
5. Tiras estreitas de folha de alumínio podem ser usadas para evitar a cozedura excessiva de áreas expostas. Mas tenha cuidado, não use demasiado e mantenha uma distância de 2,54 cm (1 polegada) entre a folha e a cavidade.

A lista abaixo é um guia geral para o ajudar a seleccionar os utensílios correctos.

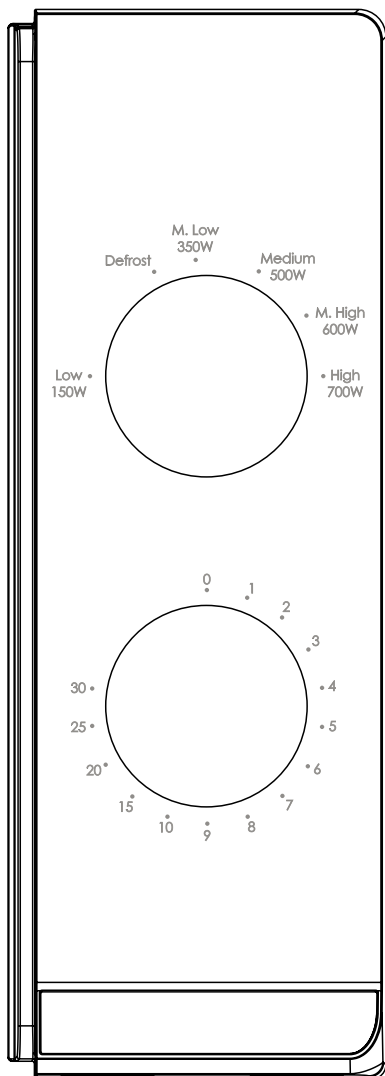
Utensílios de cozinha	MICRO-ONDAS
Vidro Resistente ao Calor	Sim
Vidro não resistente ao calor	Não
Cerâmica resistente ao calor	Sim
Prato de Plástico Micro-Ondas-Safe	Sim
Papel de cozinha	Sim
Bandeja metálica	Não
Bastidor metálico	Não
Folha de Alumínio e Recipientes de Folha de Alumínio	Não

## NOMES DAS PEÇAS

1. Sistema de Fecho de Segurança de Portas
2. VIDRO DO FORNO
3. Eixo
4. Anel de rolete
5. Painel de controlo
6. guia de ondas  
(Por favor não remova a placa de mica que cobre a guia de ondas)
7. Bandeja em vidro



# PAINEL DE CONTROLO



O painel de controlo é composto por dois operadores de funções. Um é um botão temporizador, e o outro um botão de alimentação.

## **SELECTOR DE POTÊNCIA/ACÇÃO**

Este botão do operador é utilizado para escolher um nível de potência de cozedura. É o primeiro passo para iniciar uma sessão de culinária.

## **BOTÃO DO TEMPORIZADOR**

Oferecer definições visuais do tempo de cozedura com um giro fácil do polegar para seleccionar um tempo de cozedura desejado até 30 minutos por sessão de cozedura.

## **COZIMENTO COM MICROONDAS**

Para cozinhar no microondas puro, existem seis níveis de potência a partir dos quais se pode escolher um como melhor ajuste para fazer o trabalho em mãos.

O nível de potência aumenta com o botão a rodar no sentido dos ponteiros do relógio. Os níveis de potência podem ser classificados como os seguintes:

	potência debitada	Descrição
1	700 W	ALTA
2	600 W	M.ELEVADO
3	500 W	MED
4	350 W	M.LOW
5		Descongelar
6	150 W	BAIXA



# OPERAÇÃO

Para iniciar uma sessão de culinária,

1. Colocar os alimentos no forno e fechar a porta.
2. Seleccionador de Potência para seleccionar um nível de potência.
3. Utilizar o botão temporizador para definir um tempo de cozedura

## NOTA:

Assim que o temporizador é rodado, o forno começa a cozinhar.

Ao seleccionar o tempo por menos de 2 minutos, rodar o temporizador para além de 2 minutos e depois voltar ao tempo correcto.

**CUIDADO: VOLTAR SEMPRE O TEMPO DE VOLTA A POSIÇÃO ZERO** se os alimentos forem removidos

do forno antes do tempo de cozedura definido estar completo ou quando o forno não estiver a ser utilizado. Para parar o forno durante o processo de cozedura, carregar no botão de libertação da porta ou abrir a porta pelo puxador.

# LIMPEZA E MANUTENÇÃO

1. Desligar o forno e retirar a ficha da tomada antes da limpeza.
2. Manter o interior do forno limpo. Quando salpicos de comida ou líquidos derramados aderem às paredes do forno, limpe com um pano húmido. Pode ser usado detergente suave se o forno ficar muito sujo. Evitar a utilização de spray e outros produtos de limpeza agressivos, pois podem manchar, riscar ou embotar a superfície da porta.
3. As superfícies exteriores devem ser limpas com um pano húmido. Para evitar danos nas partes operacionais no interior do forno, não se deve permitir a infiltração de água nas aberturas de ventilação.
4. Limpar a porta e a janela de ambos os lados, as juntas da porta e as partes adjacentes frequentemente com um pano húmido para remover quaisquer derrames ou salpicos. Não utilizar produto de limpeza abrasivo.
5. Não é utilizado um aparelho de limpeza a vapor.
6. Não permitir que o painel de controlo fique molhado. Limpe com um pano macio e úmido. Ao limpar o painel de controlo, deixar a porta do forno aberta para evitar que o forno se ligue acidentalmente.
7. Se o vapor se acumular dentro ou à volta da porta do forno, limpe com um pano macio. Isto pode ocorrer quando o forno de microondas é operado sob condições de humidade elevada. É normal.

8. É ocasionalmente necessário retirar o tabuleiro de vidro para limpeza. Lavar o tabuleiro em água quente com gás ou numa máquina de lavar louça.
9. O anel de roletes e o chão do forno devem ser limpos regularmente para evitar ruídos excessivos. Limpar simplesmente a superfície inferior do forno com detergente suave. O anel de rolo pode ser lavado em água com gás ou máquina de lavar louça. Quando remover o aro rotativo da parte inferior do forno, para limpeza, certifique-se de que o recoloca na posição correcta.
10. Retire os odores do seu forno, combinando uma chávena de água com o sumo e a pele de um limão numa tigela profunda que pode ser colocada no microondas durante 5 minutos. Limpar bem e secar com um pano macio.
11. 9. Quando for necessário substituir a lâmpada do forno, por favor, consulte um revendedor, para que ele o faça.
12. O forno deve ser limpo regularmente e quaisquer depósitos de alimentos devem ser removidos. O não conseguir manter o forno em condições de limpeza pode levar à deterioração da superfície, o que pode afetar negativamente a vida útil do aparelho e, possivelmente, resultar numa situação perigosa.
13. Por favor, não deitar este aparelho no caixote do lixo doméstico; ele deve ser deitado no centro de eliminação específico fornecido pelos municípios.

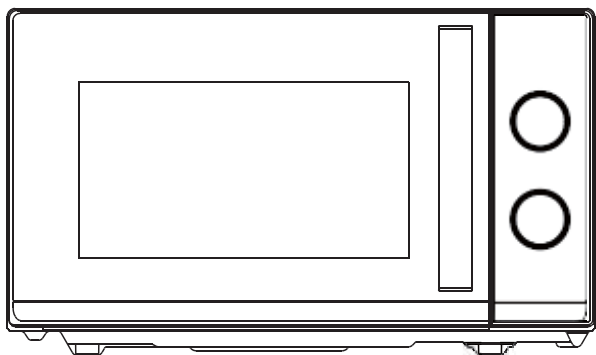


Este aparelho está rotulado em conformidade com a Diretiva Europeia 2012/19/UE relativa aos resíduos de equipamentos elétricos e eletrónicos (REEE) 2013 em relação aos aparelhos elétricos e eletrónicos. Os REEE contêm substâncias poluentes (que podem ter um efeito negativo no meio ambiente) e elementos base (que podem ser reutilizados). É importante que os REEE sejam submetidos a tratamentos específicos para remover e eliminar os poluentes e recuperar todos os materiais. As pessoas podem desempenhar um papel importante para garantir que os REEE não representem um problema ambiental; é essencial que sejam cumpridas algumas normas básicas:

- Os REEE não devem ser tratados como lixo doméstico;
- Os REEE devem ser levados para áreas de recolha dedicadas administradas pelo município ou por uma empresa registada.


Em muitos países, as recolhas domésticas podem estar disponíveis para grandes REEEs. Quando compra um aparelho novo, o antigo pode ser devolvido ao revendedor, que deve aceitar tratar da recolha gratuitamente, desde que o aparelho seja de um tipo equivalente e tenha as mesmas funções do aparelho fornecido.

# Návod k mikrovlnnej rúre



Model: CMW20TNMB

Pred inštaláciou a obsluhou rúry si pozorne prečítajte tento návod.

<b>Haier Europe</b> <small>CANOPY</small>  <b>Haier</b>	<b>PT</b> 📞 707 200 188 210 010 773	<b>IT</b> 📞 02 400 48 200	<b>ES</b> 📞 902 100 150 943 914 150	<b>DE</b> 📞 0800 500 48 48
<b>BE</b> 📞 02 752 94 10	<b>NL</b> 📞 33 422 4000	<b>AT</b> 📞 0820 220 224	<b>GR</b> 📞 801 11 50 50 50	<b>CH</b> 📞 0848 780 780

70017948

# OBSAH

ŠPECIFIKÁCIE .....	2
OPATRENIA NA ZABRÁNENIE MOŽNÉMU VYSTAVENIU NADMERNEJ MIKROVLNNEJ ENERGII .....	2
DÔLEŽITÉ BEZPEČNOSTNÉ POKYNY .....	3
NÁVOD NA INŠTALÁCIU .....	5
RÁDIOVÉ RUŠENIE .....	6
ZÁSADY VARENIA V MIKROVLNNEJ RÚRE.....	6
POKYNY NA UZEMNENIE .....	7
PREDTÝM, AKO SI ZAVOLÁTE SERVIS .....	7
SPRIEVODCA POUŽÍVANÍM NÁRADIA.....	8
NÁZVY ČASTÍ .....	9
OVLÁDACÍ PANEL .....	10
VOLIČ VÝKONU/ČINNOSTI .....	10
GOMBÍK ČASOVAČA .....	10
MIKROVLNNÁ PRÍPRAVA JEDLA .....	10
PREVÁDZKA .....	11
ČISTENIE A ÚDRŽBA .....	11

# ŠPECIFIKÁCIE

Príkon:	230-240 V/50 Hz, 1200 W (mikrovlnná rúra)
Menovitý mikrovlnný výkon:	700 W
Prevádzková frekvencia:	2450 MHz
Vonkajšie rozmery:	262 mm (V) × 452 mm (Š) × 346 mm (H)
Rozmery vnútra rúry:	198 mm (V) × 315 mm (Š) × 297 mm (H)
Objem rúry:	Kompaktný objem 20 litrov
Čistá hmotnosť:	Približne 10,8 kg

## OPATRENIA NA ZABRÁNENIE MOŽNÉMU VYSTAVENIU NADMERNEJ MIKROVLNNEJ ENERGII

1. Nepokúšajte sa používať túto rúru s otvorenými dvierkami, pretože prevádzka s otvorenými dvierkami môže mať za následok škodlivé vystavenie mikrovlnnej energii. Je dôležité, aby ste nepoškodili bezpečnostné zámky ani s nimi nemanipulovali.
2. Medzi čelnú plochu rúry a dvierka neumiestňujte žiadne predmety, ani nedovoľte, aby sa na tesniacich plochách nahromadila špina alebo zvyšky čistiaceho prostriedku.
3. Ak je rúra poškodená, nepoužívajte ju. Je veľmi dôležité, aby sa dvierka rúry riadne zatvorili a aby nedošlo k poškodeniu
  - a. Dvere (ohnuté),
  - b. Závesy a západky (zlomené alebo uvoľnené),
  - c. Tesnenia dvierok a tesniace plochy.
4. Rúru by nemal nastavovať ani opravovať nikto iný ako riadne kvalifikovaný servisný personál.

# DÔLEŽITÉ BEZPEČNOSTNÉ POKYNY

Pri používaní elektrického spotrebiča sa majú dodržiavať základné bezpečnostné opatrenia vrátane:

**UPOZORNENIE!** Na zníženie rizika popálenín, úrazu elektrickým prúdom, požiaru, zranenia osôb alebo vystavenia nadmernej mikrovlnnej energii:

1. Tento spotrebič používajte len na zamýšľané použitie, ako je opísané v návode. Na tento spotrebič nepoužívajte korozívne chemikálie ani výpary. Tento typ rúry je špeciálne navrhnutý na ohrev, varenie alebo sušenie potravín. Nie je určený na priemyselné alebo laboratórne použitie.
2. Ak je rúra prázdna, nepoužívajte ju.
3. Nepoužívajte tento spotrebič, ak má poškodený kábel alebo zástrčku, ak nefunguje správne, alebo ak bol poškodený alebo spadol. Ak došlo k poškodeniu napájacieho kábla, musí ho vymeniť výrobca, jeho servisný zástupca alebo podobne spôsobilá osoba, aby nedošlo k nebezpečenstvu.
4. **UPOZORNENIE!** Deti môžu používať rúru bez dozoru len vtedy, ak im boli poskytnuté primerané pokyny na to, aby mohli používať rúru bezpečným spôsobom a pochopili nebezpečenstvo spojené s nesprávnym použitím.
5. Aby sa znížilo riziko požiaru vo vnútri rúry:
  - Pri ohrievaní potravín v plastových alebo papierových nádobách sledujte rúru kvôli možnosti vznietenia.
  - Pred vložením vrečka do rúry odstráňte drôtené spony z papierových alebo plastových vreciek.
  - Ak spozorujete dym, vypnite alebo odpojte spotrebič a nechajte dverka zatvorené, aby ste udusili všetok plameň.
  - Nepoužívajte vnútro rúry na skladovacie účely. Ak sa nepoužíva, nenechávajte vo vnútri papierové výrobky, kuchynské potreby ani jedlo.
  - Mikrovlnná rúra je určená na ohrev jedál a nápojov. Sušenie potravín alebo odevov a ohrev otepľovacích podložiek, papuč, špongií, vlhkej handričky a podobne môže viesť k riziku poranenia, vznietenia alebo požiaru.
6. **UPOZORNENIE!** Kvapalné alebo iné potraviny sa nesmú zahrievať v uzavretých nádobách, pretože by mohli vybuchnúť.
7. Ohrievanie nápoja mikrovlnnou rúrou môže viesť k oneskorenému eruptívnemu varu, preto sa pri manipulácii s nádobou musí postupovať opatrne.
8. Nesmažte jedlo v rúre. Horúci olej môže poškodiť časti rúry a príslušenstvo a dokonca spôsobiť popálenie pokožky.

9. Vajcia v škrupine a celé vajcia varené na tvrdo by sa nemali zahrievať v mikrovlnných rúrach, pretože môžu vybuchnúť aj po ukončení zahrievania v mikrovlnnej rúre.
10. Potraviny s hrubou kožou, ako sú zemiaky, celé tekvice, jablká a gaštany, pred varením prepichnete.
11. Obsah kýmnych fliaš a detských pohárov by sa mal miešať alebo pretrepávať a pred podaním by sa mala skontrolovať teplota, aby sa zabránilo popáleninám.
12. Kuchynské nádoby sa môžu zohriať v dôsledku tepla prenášaného z ohrievaných potravín. Na manipuláciu s nádobami môžu byť potrebné kuchynské chňapky.
13. Nádoby by sa mali skontrolovať, aby sa zabezpečilo, že sú vhodné na použitie v mikrovlnnej rúre.
14. **UPOZORNENIE!** Je nebezpečné, aby akúkoľvek servisnú alebo opravnú operáciu, ktorá zahŕňa odstránenie akéhokoľvek krytu, ktorý poskytuje ochranu pred vystavením mikrovlnnej energii, vykonala osoba, ktorá nie je vyškolená.
15. Tento výrobok patrí do skupiny 2 triedy B ISM. Definícia skupiny 2, ktorá obsahuje všetky zariadenia ISM (priemyselné, vedecké a lekárske), v ktorých sa zámerne vytvára a/alebo používa rádiový frekvenčná energia vo forme elektromagnetického žiarenia na úpravu materiálu, a zariadenia na iskrovú eróziu. Zariadenia triedy B sú zariadenia vhodné na použitie v domácnostiach a v zariadeniach priamo pripojených k sieti nízkeho napätia, ktorá zásobuje budovy používané na domáce účely.
16. Tento spotrebič nie je určený na použitie osobami (vrátane detí) so zníženými fyzickými, zmyslovými či duševnými schopnosťami, alebo osobami bez žiadnej znalosti, pokiaľ nie sú pod dozorom alebo neboli vopred poučené o používaní spotrebiča osobou zodpovednou za ich bezpečnosť.
17. Deti by mali byť pod dozorom, aby sa zaistilo, že sa nebudú hrať so zariadením.
18. Mikrovlnná rúra sa používa len ako voľne stojaca.
19. **UPOZORNENIE!** Neinštalujte rúru nad hornú časť varnej dosky alebo iný tepelný spotrebič. Ak by ste ju tam inštalovali, mohlo by dôjsť k poškodeniu a záruka by sa ukončila.
20. Mikrovlnná rúra sa nesmie umiestniť do skrine.
21. **VAROVANIE:** spotrebič a jeho prístupné časti sú počas prevádzky horúce.
22. **UPOZORNENIE!** Prístupné časti sa môžu počas používania zohriať. Malé deti by mali byť mimo dosahu.
23. Spotrebič sa pri používaní zahrieva na vysokú teplotu. Dávajte pozor, aby ste sa nedotkli vyhrievacích prvkov platničky a na pečenie vo vnútri rúry.
24. Teplota prístupných povrchov môže byť počas prevádzky spotrebiča vysoká.
25. Spotrebič sa umiestni k stene.



26. Spotrebič nesmú používať deti alebo osoby so zníženými fyzickými, zmyslovými alebo mentálnymi schopnosťami alebo nedostatkom skúseností a znalostí, pokiaľ nie sú pod dozorom alebo boli poučení.
27. **UPOZORNENIE!** Ak sú dvierka alebo tesnenia dvierok poškodené, rúra nesmie byť v prevádzke, kým ju neopraví kompetentná osoba.
28. 24. Spotrebiče nie sú určené na obsluhu pomocou externého časovača alebo samostatného systému diaľkového ovládania.
29. Mikrovlnná rúra je určená len na použitie v domácnosti a nie na komerčné účely.
30. Nikdy neodstraňujte dištančnú lištu vzadu alebo po stranách, pretože zabezpečuje minimálnu vzdialenosť od steny pre cirkuláciu vzduchu.
31. Pred presunom spotrebiča zaistite otočný tanier, aby nedošlo k poškodeniu.
32. **UPOZORNENIE!** Je nebezpečné, ak spotrebič opravuje alebo servisuje osoba, ktorá nie je špecialistom, pretože za týchto okolností je potrebné odstrániť kryt, ktorý zabezpečuje ochranu pred mikrovlnným žiarením. Platí to aj pre výmenu napájacieho kábla alebo osvetlenia. V týchto prípadoch pošlite spotrebič do nášho servisného strediska.
33. Mikrovlnná rúra je určená len na rozmrazovanie potravín, ich varenie a varenie v pare.
34. Ak vyberáte akékoľvek zohriate jedlo, použijete rukavice.
35. Pozor! Pri otváraní viečok alebo baliacej fólie uniká para.
36. Tento spotrebič môžu používať deti staršie než 8 rokov a osoby so zníženými telesnými, zmyslovými alebo duševnými schopnosťami alebo s nedostatkom skúseností a znalostí, len ak sú pod dozorom alebo dostali pokyny o používaní spotrebiča bezpečným spôsobom a ak chápu nebezpečenstvá s ním súvisiace. Deti sa nesmú hrať so spotrebičom. Čistenie a údržbu používateľa nesmú vykonávať deti, pokiaľ nie sú staršie ako 8 rokov a nie sú pod dohľadom.
37. Ak sa tvorí dym, vypnite alebo odpojte spotrebič a nechajte dvierka zatvorené, aby ste udusili prípadný plameň.

## NÁVOD NA INŠTALÁCIU

1. Uistite sa, či sú zvnútra rúry odstránené všetky obalové materiály.
2. **VAROVANIE: UPOZORNENIE!** Skontrolujte, či rúra nie je poškodená, ako sú nesprávne zarovnané alebo ohnuté dvierka, poškodené tesnenia dvierok a tesniaci povrch, poškodené alebo uvoľnené závesy dvierok a zámky a zuby vo vnútri rúry alebo na dvierkach. Ak dôjde k poškodeniu, rúru nepoužívajte a kontaktujte kvalifikovaný servisný personál.
3. Táto mikrovlnná rúra sa musí umiestniť na rovný, stabilný povrch, ktorý udrží jej hmotnosť a najťažšie jedlo, ktoré sa pravdepodobne bude pripravovať v rúre.

4. Neumiestňujte rúru tam, kde vzniká teplo, vlhko alebo vysoká vlhkosť, alebo v blízkosti horľavých materiálov.
5. Pre správnu prevádzku musí mať rúra dostatočný prítok vzduchu. Nad rúrou nechajte 20 cm priestoru, vzadu 10 cm a po oboch stranách 5 cm. Nezakrývajte ani neblokujte žiadne otvory na spotrebiči. Neodstraňujte nožičky.
6. Nepoužívajte rúru bez skleneného taniera, valčekového prstenca a hriadeľa v ich správnej polohe.
7. Uistite sa, či napájací kábel nie je poškodený a či neprechádza pod rúrou ani cez horúci alebo ostrý povrch.
8. Zásuvka musí byť dobre prístupná, aby bolo možné spotrebič, v prípade nebezpečenstva, ľahko odpojiť od siete.
9. Nepoužívajte rúru vonku.

## RÁDIOVÉ RUŠENIE

Prevádzka mikrovlnnej rúry môže spôsobiť rušenie rádiového, televízneho alebo podobného zariadenia. Ak dôjde k rušeniu, môže sa znížiť alebo eliminovať nasledovnými opatreniami:

1. Vyčistite dvierka a tesniaci povrch rúry.
2. Presmerujte prijímaciu anténu rádia alebo televízie.
3. Mikrovlnnú rúru premiestnite s ohľadom na prijímač.
4. Presuňte mikrovlnnú rúru od prijímača.
5. Zapojte mikrovlnnú rúru do inej zásuvky tak, aby boli mikrovlnná rúra a prijímač pripojené k rôznym vetvám obvodu.

## ZÁSADY VARENIA V MIKROVLNNEJ RÚRE

1. Opatrne pripravte potraviny. Najhrubšie miesta umiestnite smerom von z taniera.
2. Sledujte čas prípravy jedla. Varte čo najkratšie a podľa potreby ho predĺžte. Silne prehriate jedlo môže dymiť alebo sa môže vznietiť.
3. Počas varenia zakryte potraviny. Kryty zabraňujú rozstreknutiu a pomáhajú rovnomernému vareniu potravín.

4. Počas mikrovlnnej prípravy jedla jedenkrát otočte jedlo, aby ste urýchlili varenie takých potravín, ako sú kurča a hamburgery. Veľké kusy, ako sú pečienky, sa musia otočiť aspoň raz.
5. Jedlo ako mäsové guľky uprostred varenia premiešajte tak, aby sa guľky zdola dostali nahor a guľky zo stredu taniera na okraj.

## POKYNY NA UZEMNENIE

Tento spotrebič musí byť uzemnený. Táto rúra je vybavená káblom, ktorý má uzemňovací vodič s uzemňovacou zástrčkou. Musí byť zapojený do takej zásuvky, ktorá je správne nainštalovaná a uzemnená. V prípade elektrického skratu uzemnenie znižuje riziko úrazu elektrickým prúdom tým, že poskytuje elektrickému prúdu únikový vodič. Odporúča sa, aby bol k dispozícii samostatný okruh slúžiaci len pre rúru. Použitie vysokého napätia je nebezpečné a môže mať za následok požiar alebo inú nehodu spôsobujúcu poškodenie rúry.

**UPOZORNENIE!** Nesprávne používanie uzemňovacej zástrčky môže spôsobiť riziko úrazu elektrickým prúdom.

### Poznámka:

1. Ak máte akékoľvek otázky týkajúce sa uzemnenia alebo elektrických pokynov, poraďte sa s kvalifikovaným elektrikárom alebo servisným technikom.
2. Výrobca ani predajca nemôžu prevziať žiadnu zodpovednosť za poškodenie rúry alebo zranenie osôb v dôsledku nedodržania postupov elektrického pripojenia.

Drôty v tomto káblovom vedení sú sfarbené v súlade s nasledujúcim kódom:

**Zelená a žltá = UZEMNENIE**

**Modrá = NEUTRÁL**

**Hnedá = FÁZA**

## PREDTÝM, AKO SI ZAVOLÁTE SERVIS

Ak rúra nefunguje:

1. Skontrolujte, či je rúra bezpečne zapojená do siete. Ak nie, vyťahnite zástrčku zo zásuvky, počkajte 10 sekúnd a znovu ju bezpečne zapojte.

2. Skontrolujte, či nie je spálená poistka obvodu alebo vypnutý hlavný istič. Ak sa zdá, že tieto zariadenia fungujú správne, otestujte zásuvku iným spotrebičom.
3. Skontrolujte, či je ovládací panel správne naprogramovaný a či je nastavený časovač.
4. Skontrolujte, či sú dvere bezpečne zatvorené a či je zapnutý systém bezpečnostného zámku dverí. V opačnom prípade nebude mikrovlnná energia prúdiť do rúry.

AK ŽIADNE Z VYŠŠIE UVEDENÝCH OPATRENÍ NEVYRIEŠI PROBLÉM, KONTAKTUJTE KVALIFIKOVANÉHO TECHNIKA. NEPOKÚŠAJTE SA RÚRU NASTAVIŤ ANI OPRAVIŤ SAMI.

## SPRIEVODCA POUŽÍVANÍM NÁRADIA

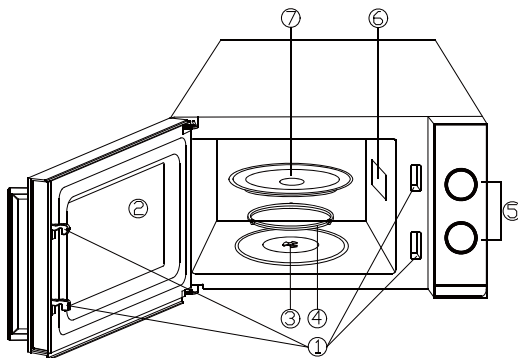
1. Mikrovlny nemôžu preniknúť cez kov. Používajte len také nádoby, ktoré sú vhodné na použitie v mikrovlnných rúrach. Kovové nádoby na potraviny a nápoje nie sú počas mikrovlnnej prípravy jedla povolené. Táto požiadavka sa neuplatňuje, ak výrobca špecifikuje veľkosť a tvar kovových nádob vhodných na mikrovlnnú prípravu jedla.
2. Mikrovlny nemôžu preniknúť cez kov, preto by sa nemali používať kovové nádoby alebo riady s kovovým lemovaním.
3. Výrobky z recyklovaného papiera nepoužívajte pri mikrovlnnej príprave jedla, pretože môžu obsahovať malé kovové úlomky, ktoré môžu spôsobiť iskry a/alebo požiare.
4. Odporúčame zvoliť radšej okrúhle alebo oválne nádoby, pretože v obdĺžnikových a štvorcových sa môže jedlo v rohoch prehrievať.
5. Na zabránenie prehriatia exponovaných plôch sa môžu použiť úzke pásy hliníkovej fólie. Ale buďte opatrní, nepoužívajte jej príliš veľa a udržiavajte vzdialenosť 2,54 cm medzi fóliou a stenou vnútra.

Zoznam uvedený nižšie je všeobecným sprievodcom, ktorý vám pomôže vybrať správne nádoby.

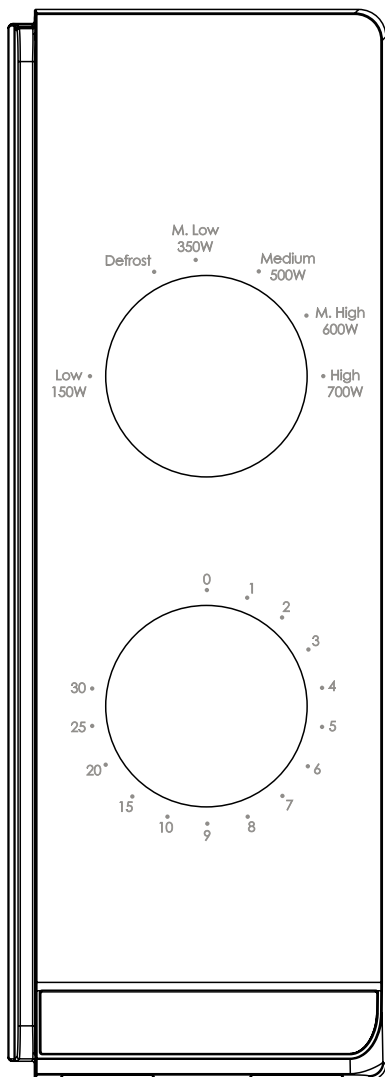
RIAD	MIKROVLNA
Tepelne odolné sklo	Áno
Sklo, ktoré nie je odolné voči teplu	Nie
Keramika odolná voči teplu	Áno
Plastový riad bezpečný pre mikrovlnnú rúru	Áno
Kuchynský papier	Áno
Kovový tanier	Nie
Kovový stojan	Nie
Hliníkové fólie a fóliové obaly	Nie

## NÁZVY ČASTÍ

1. Systém bezpečnostného zámku dvierok
2. Okienko rúry
3. Hriadeľ
4. Valčekový prstenec
5. Ovládací panel
6. Sprievodca vlnami  
(Neodstraňujte sludovú dosku pokrývajúcu vlnovod)
7. Sklenený tanier



# OVLÁDACÍ PANEL



Ovládací panel pozostáva z dvoch funkčných ovládačov. Jeden je gombík časovača a druhý gombík výkonu.

## ***VOLIČ VÝKONU/ČINNOSTI***

Pomocou tohto ovládacieho gombíka môžete zvoliť úroveň výkonu varenia. Je to prvý krok na začatie varenia.

## ***GOMBÍK ČASOVAČA***

Ponúka vizuálne nastavenie času jednoduchým otočením palca na výber požadovaného času varenia až do 30 minút na jedno varenie.

## ***MIKROVLNNÁ PRÍPRAVA JEDLA***

Pri čistom varení v mikrovlnnej rúre je k dispozícii šesť úrovní výkonu, z ktorých si môžete vybrať jednu, ktorá sa najlepšie hodí na danú úlohu.

Úroveň výkonu sa zvyšuje otáčaním gombíka v smere hodinových ručičiek. Úrovne výkonu možno klasifikovať takto:

	Výstupný výkon	Opis
1	700 W	VYSOKÁ
2	600 W	M.HIGH
3	500 W	Stredná
4	350 W	M.LOW
5		Rozmrazovanie
6	150 W	NÍZKA

# PREVÁDZKA

Začatie varenia,

1. Vložte jedlo do rúry a zatvorte dverka.
2. Otočením voliča výkonu vyberte úroveň výkonu.
3. Pomocou gombíka časovača nastavte čas varenia

## **POZNÁMKA:**

Hneď ako sa časovač zapne, rúra začne piecť.

Pri výbere času kratšieho ako 2 minúty otočte časovač na 2 minúty a potom sa vráťte na správny čas.

**UPOZORNENIE:** Vždy vráťte časovač späť do nulovej polohy, ak sa jedlo odstráni z rúry pred uplynutím nastaveného času pečenia alebo keď sa rúra nepoužíva. Ak chcete zastaviť rúru počas pečenia, stlačte tlačidlo na uvoľnenie dvierok alebo otvorte dverka za rukoväť.

# ČISTENIE A ÚDRŽBA

1. Pred čistením rúry vypnite a vytiahnite zástrčku zo zásuvky.
2. Udržujte vnútro rúry čisté. Keď sa rozstrekuté alebo rozliate tekutiny prilepia na steny rúry, utrite ich vlhkou handričkou. Ak sa rúra veľmi zašpiní, môžu sa použiť jemné čistiace prostriedky. Vyhnite sa používaniu sprejov a iných drsných čistiacich prostriedkov, pretože môžu spôsobiť škvrny, šmuhy alebo zmatnenie povrchu dverí.
3. Vonkajšie povrchy by sa mali čistiť vlhkou handričkou. Aby sa zabránilo poškodeniu obslužných častí vo vnútri rúry, voda nesmie presiaknuť do vetracích otvorov.
4. Dverka a okienko na oboch stranách, tesnenia dvierok a priľahlé časti často utierajte vlhkou handričkou, aby ste odstránili všetky rozliate alebo rozstrekuté tekutiny. Nepoužívajte abrazívny čistiaci prostriedok.
5. Parný čistič sa nepoužíva.
6. Nedovoľte, aby sa ovládací panel namočil. Vyčistite ho mäkkou, vlhkou handričkou. Pri čistení ovládacieho panela nechajte dverka rúry otvorené, aby sa zabránilo náhodnému zapnutiu rúry.
7. Ak sa para nahromadí vo vnútri alebo okolo dvierok rúry, utrite ju mäkkou handričkou. Toto môže nastať, ak je mikrovlnná rúra v prevádzke pri vysokej vlhkosti. Je to bežný jav.

8. Občas je potrebné vybrať sklenený tanier a očistiť ho. Umyte tanier v teplej mydlovej vode alebo v umývačke riadu.
9. Valčekový prsteneц a dno rúry by sa mali pravidelne čistiť, aby sa zabránilo nadmernému hluku. Jednoducho utrite dno rúry jemným čistiacim prostriedkom. Valčekový krúžok možno umývať v jemnej mydlovej vode alebo v umývačke riadu. Pri odstraňovaní valčekového krúžku z podlahy dutiny na čistenie sa uistite, že je nahradený v správnej polohe.
10. Odstráňte zápach z rúry tak, že v hlbokjej miske na pečenie v mikrovlnnej rúre zmiešate šálku vody so šťavou a kôrou z jedného citróna a necháte ju 5 minút pôsobiť v mikrovlnnej rúre. Dôkladne ju utrite a vysušte mäkkou handričkou.
11. Ak je potrebné vymeniť kontrolku rúry, obráťte sa na predajcu, aby ju vymenil.
12. 14. Rúru by ste mali pravidelne čistiť a odstraňovať zvyšky jedla. 15. Ak nebudete rúru udržiavať v čistom stave, mohlo by to viesť k zhoršeniu jej povrchu, čo by mohlo nepriaznivo ovplyvniť životnosť spotrebiča a pravdepodobne viesť k nebezpečnej situácii.
13. Tento spotrebič nevyhadzujte do domáceho odpadu. Mal by byť zlikvidovaný v špeciálnom zbernom dvore, ktorý zriadila obec.



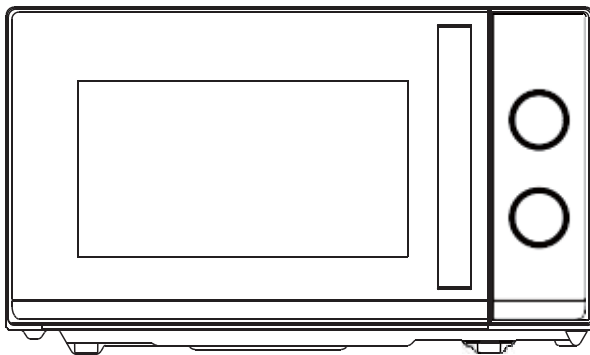


Tento spotrebič je označený v súlade s európskou smernicou 2012/19/EÚ o predpisoch o odpade z elektrických a elektronických zariadení z roku 2013 týkajúcich sa elektrických a elektronických spotrebičov (OEEZ). OEEZ sa zaoberá znečisťujúcimi látkami (ktoré môžu mať negatívny vplyv na životné prostredie) a základnými prvkami (ktoré sa môžu znovu použiť). Je dôležité, aby OEEZ podstúpili osobitné úpravy na správne odstránenie a likvidáciu znečisťujúcich látok a obnovu všetkých materiálov. Jednotlivci môžu zohrávať dôležitú rolu pri zabezpečovaní toho, aby sa z OEEZ nestal problém životného prostredia; potrebné je dodržiavať niekoľko základných pravidiel:

- s OEEZ sa nesmie nakladať ako s domovým odpadom;
- OEEZ sa musia odvážať do vyhradených zberných oblastí spravovaných mestskou radou alebo registrovanou spoločnosťou.












V mnohých krajinách môžu byť k dispozícii pre veľké OEEZ strediská zberu domového odpadu. Keď si kúpite nový spotrebič, starý spotrebič sa môže vrátiť dodávateľovi, ktorý ho musí prijať bezplatne ako jednorazovú záležitosť, pokiaľ je spotrebič ekvivalentného typu a má rovnaké funkcie ako zakúpený spotrebič.

# Uputstvo za rad mikrotalasne rerne



Model: CMW20TNMB

Pažljivo pročitajte ova uputstva pre instalacije i rukovanja remom.

<b>Haier Europe</b> <small>CANOPY</small>  <b>Haier</b>	<b>PT</b>  707 200 188 210 010 773	<b>IT</b>  02 400 48 200	<b>ES</b>  902 100 150 943 914 150	<b>DE</b>  0800 500 48 48
<b>BE</b>  <b>LU</b>  02 752 94 10	<b>NL</b>  33 422 4000	<b>AT</b>  0820 220 224	<b>GR</b>  801 11 50 50 50	<b>CH</b>  0848 780 780

70017948

# SADRŽAJ

SPECIFIKACIJE .....	2
MERE PREDOSTROŽNOSTI KAKO BI SE IZBEGLO MOGUĆE IZLAGANJE PREKOMERNOJ MIKROTALASNOJ ENERGI .....	2
VAŽNA BEZBEDNOSNA UPUTSTVA .....	3
UPUTSTVO ZA INSTALACIJU .....	5
RADIO INTERFERENCE .....	6
PRINCIPI MIKROTALASNOG KUVANJA .....	6
UPUTSTVO ZA UZEMLJENJE .....	7
PRE NEGO ŠTO POZOVETE SERVIS.....	7
VODIČ ZA POSUĐE .....	8
NAZIVI DELOVA.....	9
KONTROLNA TABLA .....	10
POWER/ACTION SELECTOR .....	10
DUGME TAJMERA .....	10
KUVANIE U MIKROTALASNOJ PEĆNICI .....	10
RAD .....	11
ČIŠĆENJE I ODRŽAVANJE .....	11

# SPECIFIKACIJE

Potrošnja struje:	230-240V/50 Hz, 1200 W (mikrotalasna)
Procenjena snaga mikrotalasne pećnice:	700 W
Frekvencija rada:	2450MHz
Spoljne dimenzije:	262 mm(V)×452 mm(Š)×346 mm(D)
Dimenzije šupljina pećnice:	198 mm(V)×315 mm(Š)×297 mm(D)
Kapacitet pećnice:	Kompaktnih 20 litara
Neto težina	Pribl. 10,8 kg

## MERE PREDOSTROŽNOSTI KAKO BI SE IZBEGLO MOGUĆE IZLAGANJE PREKOMERNOJ MIKROTALASNOJ ENERGI

1. Ne pokušavajte da koristite ovu rernu dok su vrata otvorena jer rad otvorenih vrata može dovesti do štetnog izlaganja mikrotalasnoj energiji. Važno je ne vršiti izmene na sigurnosnim blokadama.
2. Ne stavljajte nikakve predmete između prednje strane rerne i vrata niti dozvolite da se talog ili ostaci sredstva za čišćenje akumuliraju na zaptivnim površinama.
3. Ne koristite rernu ako je oštećena. Posebno je važno da se vrata rerne pravilno zatvore i da nema oštećenja na
  - a. Vratima (savijena),
  - b. Šarkama i zasunima (slomljeni ili olabavljeni),
  - c. Zaptivačima vrata i zaptivnim površinama.
4. Pećnicu ne sme da podešava ili popravlja niko osim kvalifikovanog servisnog osoblja.

# VAŽNA BEZBEDNOSNA UPUTSTVA

Prilikom korišćenja električnog uređaja treba poštovati osnovne mere predostrožnosti, uključujući sledeće:

**Upozorenje!**--Da biste smanjili rizik od opekotina, strujnog udara, požara, povreda osoba ili izlaganja prekomernoj mikrotalasnoj energiji:

1. Koristite ovaj uređaj samo za predviđenu upotrebu kako je opisano u uputstvu. Nemojte koristiti korozivne hemikalije ili pare u ovom uređaju. Ova vrsta rerne je posebno dizajnirana za zagrevanje, kuvanje ili sušenje hrane. Nije dizajniran za industrijsku ili laboratorijsku upotrebu.
2. Nemojte koristiti rernu kada je prazna.
3. Nemojte koristiti ovaj uređaj ako ima oštećen kabl ili utikač, ako ne radi ispravno ili ako je oštećen ili ispušten. Ukoliko je kabl za napajanje oštećen, mora ga zameniti proizvođač ili njegov serviser ili slično kvalifikovano lice kako bi se izbegla opasnost
4. Dozvoljavajte deci da koriste rernu bez nadzora samo kada su data adekvatna uputstva tako da dete može da koristi rernu na bezbedan način i razume opasnosti od nepravilne upotrebe.
5. Da biste smanjili rizik od požara u unutrašnjosti rerne:
  - Prilikom zagrevanja hrane u plastičnoj ili papirnoj posudi, pazite na rernu zbog mogućnosti paljenja.
  - Uklonite žičane zavoje sa papirnih ili plastičnih kesa pre nego što stavite kesu u rernu.
  - Ukoliko primetite dim, isključite ili isključite uređaj i držite vrata zatvorena kako biste prigušili plamen.
  - Nemojte unutrašnjost koristiti za odlaganje. Ne ostavljajte papirne proizvode, pribor za kuvanje ili hranu u šupljini kada nisu u upotrebi.
  - Mikrotalasna rerna je namenjena za zagrevanje hrane i pića. Sušenje hrane ili odeće i zagrevanje jastučića za zagrevanje, papuča, sunđera, vlažne krpe i slično može dovesti do rizika od povreda, paljenja ili požara.
6. **Upozorenje!**--Tekuća ili druga hrana ne smeju se zagrevati u zatvorenim kontejnerima jer mogu da eksplodiraju.
7. Zagrevanje pića u mikrotalasnoj može dovesti do odloženog eruptivnog ključanja, stoga je potreban oprez prilikom rukovanja posudom.
8. Ne pržite hranu u rerni. Vruće ulje može da ošteti delove rerne i pribor, pa čak i da izazove opekotine na koži.

9. Jaja u ljusci i cela tvrdo kuvana jaja ne smeju se zagrevati u mikrotalasnim pećnicama jer mogu eksplodirati čak i nakon završetka mikrotalasnog zagrevanja.
10. Probušite hranu sa debelom korom kao što su krompir, cele tikve, jabuke i kesteni pre kuvanja.
11. Sadržaj bočica za hranjenje i tegli za bebe treba promešati ili protresti i proveriti temperaturu pre serviranja kako bi se izbegle opekotine.
12. Pribor za kuvanje može da se zagreje zbog toplote koja se prenosi iz zagrejane hrane. Držači posuda će možda biti potrebni za rukovanje priborom.
13. Pribor treba proveriti kako bi se osiguralo da je pogodan za upotrebu u mikrotalasnoj pećnici.
14. Opasno je za bilo koga osim obučene osobe da obavlja bilo kakvu uslugu ili popravku koja uključuje uklanjanje bilo kog poklopca koji pruža zaštitu od izlaganja mikrotalasnoj energiji.
15. Ovaj proizvod je ISM oprema klase B grupe 2. Definicija Grupe 2 koja sadrži svu ISM (industrijsku, naučnu i medicinsku) opremu u kojoj se radiofrekventna energija namerno generiše i/ili koristi u obliku elektromagnetnog zračenja za obradu materijala, i opremu za eroziju varnica. Za opremu klase B je oprema pogodna za upotrebu u domaćinstvima i ustanovama direktno priključenim na niskonaponsku mrežu napajanja koja snabdeva zgrade koje se koriste u domaće svrhe.
16. Ovaj uređaj nije namenjen za upotrebu od strane osoba (uključujući decu) sa smanjenim fizičkim, senzornim ili mentalnim sposobnostima, ili nedostatkom iskustva i znanja, osim uz nadzor i uputstva lica odgovornog za njihovu bezbednost.
17. Na decu treba paziti kako bi se obezbedilo da se ona ne igraju s uređajem.
18. Mikrotalasna rerna se koristi samo u samostojećim prostorima.
19. **Upozorenje!**--Ne postavljajte rernu preko ploče za kuvanje ili drugog uređaja za proizvodnju toplote. ako je instaliran može biti oštećen i garancija će biti izbegnuta .
20. Mikrotalasna rerna se ne sme stavljati u orman.
21. **UPOZORENJE:** Uređaj i njegovi delovi kojima se može pristupiti zagrevaju se prilikom upotrebe.
22. **Upozorenje!**--Pristupačni delovi mogu postati vrući tokom upotrebe. Decu treba držati podalje.
23. Uređaj se zagreva prilikom upotrebe. Treba voditi računa da se ne dodiruju grejni elementi unutar rerne, za kuvanje i rerne u opsegu.
24. Temperatura dostupnih površina može biti visoka kada uređaj radi.
25. Uređaj treba postaviti uz zid.

26. Uređaj ne smeju koristiti deca ili osobe sa smanjenim fizičkim, senzornim ili mentalnim sposobnostima, ili sa nedostatkom iskustva i znanja, osim ako im nije dat nadzor ili uputstvo.
27. **Upozorenje!**--Ako su brtve vrata ili vrata oštećene, rerna se ne sme koristiti dok je ne popravi kompetentna osoba.
28. Uređaji nisu namenjeni za rad pomoću spoljašnjeg tajmera ili odvojenog sistema za daljinsko upravljanje.
29. Mikrotalasna rerna je samo za kućnu upotrebu, a ne za komercijalnu upotrebu.
30. Nikada ne uklanjajte držač rastojanja sa zadnje ili bočne strane, jer obezbeđuje minimalno rastojanje od zida za cirkulaciju vazduha.
31. Učvrstite gramofon pre pomeranja uređaja kako biste izbegli oštećenja.
32. **OPREZI!** -- Opasno je popravljati ili održavati uređaj od strane bilo kog drugog specijaliste jer u ovim okolnostima poklopac mora biti uklonjen što obezbeđuje zaštitu od mikrotalasnog zračenja. Ovo se odnosi i na promenu kabla za napajanje ili osvetljenja. Pošaljite uređaj u ovim slučajevima u naš servisni centar.
33. Mikrotalasna rerna je namenjena samo za odmrzavanje, kuvanje i paru hrane.
34. Koristite rukavice ako uklanjate bilo koju podgrejanu hranu.
35. Oprez! Para će pobeći prilikom otvaranja poklopcu ili folije za omatanje.
36. Ovaj uređaj mogu koristiti i deca uzrasta od 8 ili više godina i osobe sa smanjenim fizičkim, senzornim ili mentalnim sposobnostima ili nedostatkom iskustva i znanja, ako to čine pod nadzorom ili ukoliko uređaj koriste prema uputstvima za bezbednu upotrebu i ako razumeju opasnosti koje ta upotreba uključuje. Deca ne smeju da se igraju sa uređajem. Čišćenje i održavanje korisnika ne smeju da obavljaju deca, osim ako nisu stari od 8 godina i više i pod nadzorom.
37. Ukoliko primetite dim, isključite ili isključite uređaj i držite vrata zatvorena kako biste prigušili plamen.

## UPUTSTVO ZA INSTALACIJU

1. Uverite se da su svi ambalažni materijali uklonjeni sa unutrašnje strane vrata.
2. **UPOZORENJE:** Proverite da li je rerna oštećena, kao što su nedoravnata ili savijena vrata, oštećeni zaptivači vrata i zaptivne površine, slomljene ili labave šarke vrata i zasuni i udubljenja unutar šupljine ili na vratima. Ukoliko dođe do bilo kakvog oštećenja, nemojte rukovati rernom i kontaktirajte kvalifikovano servisno osoblje.
3. Ova mikrotalasna pećnica mora biti postavljena na ravnu, stabilnu površinu kako bi izdržala svoju težinu i najtežu hranu koja će se kuvati u rerni.

4. Ne postavljajte rernu na mesto gde se stvara toplota, vlaga ili visoka vlažnost, ili blizu zapaljivih materijala.
5. Za pravilan rad rerne mora imati dovoljan protok vazduha. Ostavite 20 cm prostora iznad rerne, 10 cm pozadi i 5 cm sa obe strane. Ne pokrivajte i ne blokirajte otvore na uređaju. Ne uklanjajte noge.
6. Nemojte koristiti rernu bez staklene tacne, nosača valjka i osovine u odgovarajućim položajima.
7. Uverite se da je kabl za napajanje neoštećen i da ne radi ispod rerne ili preko vruće ili oštre površine.
8. Utičnica mora biti lako dostupna tako da se može lako isključiti u hitnim slučajevima.
9. Ne koristite rernu na otvorenom.

## RADIO INTERFERENCE

Rad mikrotalasne pećnice može izazvati smetnje na vašem radiju, TV-u ili sličnoj opremi. Kada postoje smetnje, one se mogu smanjiti ili eliminisati preduzimanjem sledećih mera:

1. Očistite vrata i zaptivnu površinu rerne.
2. Preusmerite prijemnu antenu radija ili televizije.
3. Premestite mikrotalasnu pećnicu u odnosu na prijemnik.
4. Pomerite mikrotalasnu pećnicu dalje od prijemnika.
5. Uključite mikrotalasnu pećnicu u drugu utičnicu tako da su mikrotalasna pećnica i prijemnik na različitim strujnim kolima.

## PRINCIPI MIKROTALASNOG KUVANJA

1. Pažljivo rasporedite hranu. Postavite najdeblje delove prema spoljašnjoj strani posude.
2. Pazite na vreme kuvanja. Kuvajte što je kraće moguće vreme i po potrebi dodajte još. Prekuvana hrana može da puši ili da se zapali.
3. Pokrijte hranu tokom kuvanja. Poklopci sprečavaju prskanje i pomažu hrani da se ravnomerno kuva.



4. Okrenite namirnice jednom tokom mikrotalasnog kuvanja da biste ubrzali pripremu hrane kao što su piletina i hamburgeri. Veliki komadi kao što je pečenje moraju biti okrenuti bar jednom.
5. Prerasporedite namirnice kao što su čufte na pola pečenja od vrha do dna i od centra posude prema spolja.

## UPUTSTVO ZA UZEMLJENJE

Ovaj uređaj mora biti uzemljen. Ova rerna je opremljena kablom koji ima žicu za uzemljenje sa utikačem za uzemljenje. Mora biti priključen u zidnu posudu koja je pravilno postavljena i uzemljena. U slučaju kratkog spoja, uzemljenje smanjuje rizik od strujnog udara obezbeđivanjem žice za odvod električne struje. Preporučuje se da se obezbedi odvojeno kolo koje služi samo rerni. Korišćenje visokog napona je opasno i može dovesti do požara ili druge nezgode koja može izazvati oštećenje rerne.

**UPOZORENJE!** Nepravilna upotreba utikača za uzemljenje može dovesti do opasnosti od strujnog udara.

### **Napomena:**

1. Ako imate bilo kakvih pitanja o uzemljenju ili električnim uputstvima, obratite se kvalifikovanom električaru ili serviseru.
2. Ni proizvođač ni prodavac ne mogu da prihvate bilo kakvu odgovornost za oštećenje rerne ili lične povrede nastale usled nepoštovanja procedura električnog povezivanja.

Žice u ovom glavnom kablom su obojene u skladu sa sledećim kodom:

**Zelena i žuto = UZEMLJENJE**

**Plavo = NULA**

**Braon = FAZA**

## PRE NEGO ŠTO POZOVETE SERVIS

Ako rerna ne radi:

1. Proverite da li je rerna dobro priključena. Ako nije, izvadite utikač iz utičnice, sačekajte 10 sekundi i ponovo ga čvrsto uključite.
2. Proverite da li je pregoreo osigurač ili je iskočio glavni osigurač. Ako se čini da rade ispravno, testirajte utičnicu drugim uređajem.

3. Proverite da li je kontrolna tabla pravilno programirana i da li je tajmer podešen.
4. Proverite da li su vrata bezbedno zatvorena i uključite sigurnosni sistem za zaključavanje vrata. U suprotnom, mikrotalasna energija neće teći u rernu.

UKOLIKO NIŠTA OD NAVEDENOG NE ISPRAVI SITUACIJU, OBRATITE SE KVALIFIKOVANOM TEHNIČARU. NE POKUŠAVAJTE SAMI DA PODEŠAVATE ILI POPRAVLJATE RERNU.

## VODIČ ZA POSUĐE

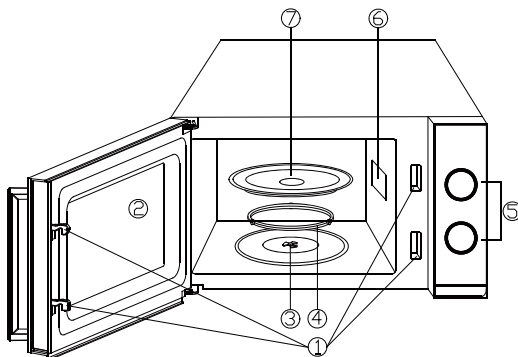
1. Mikrotalasna ne može da prodre u metal. Koristite samo pribor koji je pogodan za upotrebu u mikrotalasnim rernama. Metalne posude za hranu i pića nisu dozvoljene tokom mikrotalasnog kuvanja. Ovaj zahtev se ne primenjuje ako proizvođač navede veličinu i oblik metalnih posuda pogodnih za mikrotalasno kuvanje.
2. Mikrotalasi ne mogu da prodru u metal, tako da metalni pribor ili posude sa metalnom oblogom ne smeju da se koriste.
3. Nemojte koristiti reciklirane proizvode od papira prilikom mikrotalasnog kuvanja, jer mogu sadržati male metalne fragmente koji mogu izazvati varnice i/ili požare.
4. Preporučuju se okrugle /ovalne posude umesto četvrtastih/duguljastih, jer hrana u uglovima teži da se prepeče.
5. Uske trake aluminijumske folije mogu se koristiti da bi se sprečilo prekomerno pečenje izloženih površina. Ali pazite da ne koristite previše i držite razmak od 2,54 cm između folije i šupljine.

Lista u nastavku je opšti vodič koji će vam pomoći da izaberete odgovarajući pribor.

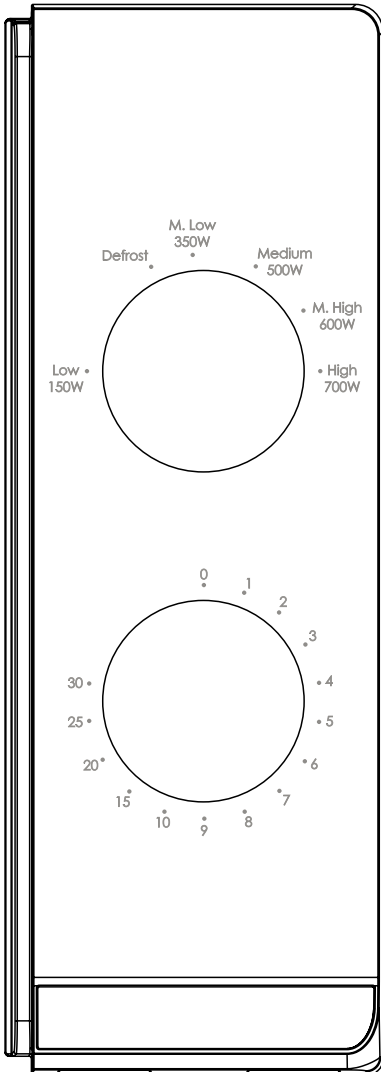
POSUĐE ZA KUVANJE	MIKROTALASNA
Staklo otporno na toplotu	Da
Staklo koje nije otporno na toplotu	Ne
Keramika otporna na toplotu	Da
Plastično posuđe bezbedno za mikrotalasnu	Da
Kuhinjski papir	Da
Metalna tacna	Ne
Metalna policna	Ne
Kontejneri od aluminijumske folije i folije	Ne

# NAZIVI DELOVA

1. Sistem za zaključavanje vrata
2. Prozor pečnice
3. Šaft
4. Prsten valjka
5. Kontrolna tabla
6. Talasni vodič  
(Molimo vas da ne uklanjate ploču sljuske koja pokriva talasnu vodilicu)
7. Staklena tacna



# KONTROLNA TABLA



Kontrolna tabla se sastoji od dva operatera funkcija. Jedan je tajmer, a drugi prekidač.

## ***POWER/ACTION SELECTOR***

Koristite ovo dugme za podešavanje nivoa snage kuvanja. To je prvi korak za početak kuvanja.

## ***DUGME TAJMERA***

Nudi podešavanje vizuelnog vremena pri jednostavnom okretanju palca za izbor željenog vremena kuvanja do 30 minuta po sesiji kuvanja.

## ***KUVANJE U MIKROTALASNOJ PEĆNICI***

Za čisto kuvanje u mikrotalasnoj pećnici, postoji šest nivoa snage od kojih možete da izaberete jedan od najboljih za obavljanje trenutnog posla.

Nivo snage se povećava sa okretanjem dugmeta u smeru kazaljke na satu. Nivoi snage mogu se klasifikovati kao sledeći:

	Izlaz napajanja	Opis
1	700 W	VISOKO
2	600 W	SREDNJE VISOKO
3	500 W	SREDNJE
4	350 W	SREDNJE NISKO
5		ODMRZAVANJE
6	150 W	NISKO

# RAD

Za početak kuvanja,

1. stavite hranu u rernu i zatvorite vrata
2. Okrenite dugme za odabir snage da biste izabrali nivo snage.
3. Koristite dugme tajmera za podešavanje vremena kuvanja.

## **NAPOMENA:**

Čim je tajmer uključen, rerna počinje da kuva.

Kada birate vreme kraće od 2 minuta, okrenite tajmer duže od 2 minuta i zatim se vratite na tačno vreme.

**OPREZ: UVEK VRATITE TAJMER U NULTU POZICIJU** ako uklonite hranu iz rerne pre nego što se završi podešeno vreme kuvanja ili kada se rerna ne koristi. Da biste zaustavili rernu tokom procesa kuvanja, pritisnite dugme za otpuštanje vrata ili otvorite vrata pomoću ručke.

# ČIŠĆENJE I ODRŽAVANJE

1. Isključite rernu i izvadite utikač iz zidne utičnice pre čišćenja.
2. Održavajte unutrašnjost rerne čistom. Kada se hrana isprska ili prosuta tečnost zalepi za zidove rerne, obrišite vlažnom krpom. Blagi deterdžent se može koristiti ako se rerna veoma zaprlja. Izbegavajte upotrebu spreja i drugih grubih sredstava za čišćenje jer mogu da zamažu, zaprljaju ili otupe površinu vrata.
3. Spoljne površine treba očistiti vlažnom krpom. Da bi se sprečilo oštećenje radnih delova unutar rerne, voda ne sme da curi u ventilacione otvore.
4. Obrišite vrata i prozor sa obe strane, zaptivke vrata i susedne delove često vlažnom krpom kako biste uklonili eventualna izlivanja ili prskanja. Nemojte koristiti abrazivno sredstvo za čišćenje.
5. Čistač pare se ne koristi.
6. Ne dozvolite da se kontrolna tabla pokvasi. Očistite mekom, vlažnom krpom. Kada čistite kontrolnu tablu, ostavite vrata rerne otvorena kako biste sprečili slučajno uključivanje rerne.
7. Ako se para akumulira unutar ili oko vrata rerne, obrišite mekom krpom. To može da se desi kada mikrotalasna rerna radi u uslovima visoke vlažnosti. I to je normalno.
8. Povremeno je potrebno ukloniti staklenu tacnu radi čišćenja. Operite poslužavnik u toploj penušavoj vodi ili u mašini za pranje posuđa.

9. Valjkasti prsten i pod rerne treba redovno čistiti kako bi se izbegla prekomerna buka. Jednostavno obrišite donju površinu rerne blagim deterdžentom. Prsten valjka može se prati u blagoj penušavoj vodi ili mašini za pranje posuđa. Prilikom uklanjanja valjkastog prstena sa poda šupljine radi čišćenja, obavezno ga vratite u odgovarajući položaj.
10. Uklonite mirise iz rerne kombinujući čašu vode sa sokom i korom jednog limuna u dubokoj mikrotalasnoj činiji i kuvajte u mikrotalasnoj 5 minuta. Temeljito obrišite i osušite mekom krpom.
11. Kada postane neophodno zameniti svetlo rerne, konsultujte prodavca da ga zameni.
12. Pečnicu treba redovno čistiti i uklanjati naslage hrane. Neodržavanje rerne u čistom stanju može dovesti do pogoršanja površine što može negativno uticati na životni vek uređaja i eventualno dovesti do opasnosti.
13. Nemojte odlagati ovaj uređaj u kantu za đubre; treba ga odlagati u određeni centar za odlaganje koji obezbeđuju opštine.

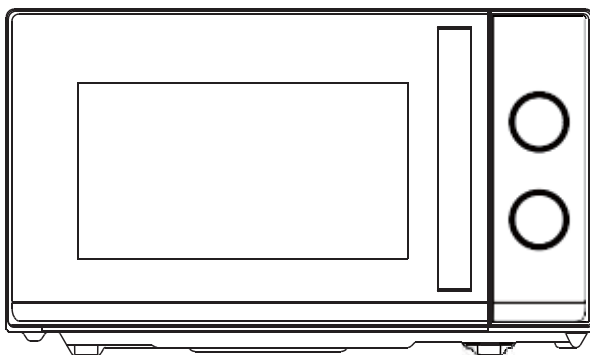


Ovaj uređaj je označen u skladu sa Evropskom direktivom 2012/19/EU o propisima o otpadnoj električnoj i elektronskoj opremi iz 2013. godine u vezi sa električnim i elektronskim uređajima (OEEO). OEEO obuhvata i zagađujuće materije (koje mogu imati negativne posledice po okolinu) i osnovne komponente (koje se mogu ponovo koristiti). Važno je da se OEEO podvrgne posebnim tretmanima, u cilju pravilnog otklanjanja i odlaganja svih zagađivača, kao i vraćanju i recikliranju svih materijala. Svaki pojedinac može pomoći da se obezbedi da OEEO ne postane problem u procesu zaštite životne sredine; od ključnog je značaja pridržavati se nekih osnovnih pravila:

- OEEO se ne sme tretirati kao kućni otpad;
- OEEO se predaje mestima nadležnim za prikupljanje takvog otpada kojima upravljaju opština ili registrovana preduzeća.












U mnogim zemljama, za velike OEEO postoji sakupljanje kod kuće. Kada kupite novi uređaj, stari možete da vratite prodavcu koji je u obavezi da ga preuzme besplatno na bazi jedan-za-jedan, sve dok je oprema odgovarajućeg tipa i ima iste funkcije kao isporučena oprema.

# Інструкції для мікрохвильової печі



Модель: CMW20TNMB

Будь ласка, уважно прочитайте ці інструкції перед встановленням та експлуатацією мікрохвильової печі.

<b>Haier Europe</b> <small>CANOPY</small>  <small>Haier</small>	<b>PT</b>  707 200 188 210 010 773	<b>IT</b>  02 400 48 200	<b>ES</b>  902 100 150 943 914 150	<b>DE</b>  0800 500 48 48
<b>BE</b>  <b>LU</b>  02 752 94 10	<b>NL</b>  33 422 4000	<b>AT</b>  0820 220 224	<b>GR</b>  801 11 50 50 50	<b>CH</b>  0848 780 780

70017948



# ЗМІСТ

ТЕХНІЧНІ ХАРАКТЕРИСТИКИ.....	2
ЗАХОДИ БЕЗПЕКИ ДЛЯ УНИКНЕННЯ МОЖЛИВОГО НАДМІРНОГО ВПЛИВУ МІКРОХВИЛЬОВОЇ ЕНЕРГІЇ.....	2
ВАЖЛИВІ ІНСТРУКЦІЇ З ТЕХНІКИ БЕЗПЕКИ.....	3
ПОСІБНИК ІЗ ВСТАНОВЛЕННЯ.....	6
РАДІОПЕРЕШКОДИ .....	6
ПРИНЦИПИ ПРИГОТУВАННЯ В МІКРОХВИЛЬОВІЙ ПЕЧІ .....	7
ІНСТРУКЦІЇ ЩОДО ЗАЗЕМЛЕННЯ.....	7
ПЕРШ НІЖ ЗВЕРНУТИСЯ ДО СЛУЖБИ ПІДТРИМКИ.....	8
ПОСІБНИК ЩОДО ПОСУДУ .....	8
НАЗВИ ДЕТАЛЕЙ .....	10
ПАНЕЛЬ УПРАВЛІННЯ .....	11
ВИБІР ВИКОНАВЦЯ /ВИКОНАВЦЯ .....	11
Ручка ТАЙМЕРА .....	11
ПРИГОТУВАННЯ В МІКРОХВИЛЬОВІЙ ПЕЧІ .....	11
ЕКСПЛУАТАЦІЯ .....	12
ОЧИЩЕННЯ ТА ДОГЛЯД.....	12

# ТЕХНІЧНІ ХАРАКТЕРИСТИКИ

Споживана потужність:	230-240 В/50 Гц, 1200 Вт (мікрохвильова хвиля)
Номінальна мікрохвильова потужність:	700 Вт
Робоча частота:	2450 МГц
Зовнішні розміри:	262 мм(В)×452 мм (Ш)×346 мм(Г)
Розміри порожнини печі:	198 мм (В) × 315 мм (Ш) × 297 мм (Г)
Об'єм печі:	Компактний 20 л
Вага нетто:	Приблизно 10,8 кг

## ЗАХОДИ БЕЗПЕКИ ДЛЯ УНИКНЕННЯ МОЖЛИВОГО НАДМІРНОГО ВПЛИВУ МІКРОХВИЛЬОВОЇ ЕНЕРГІЇ

1. Не намагайтеся використовувати цю мікрохвильову піч із відкритими дверцятами, оскільки робота з відкритими дверцятами може призвести до шкідливого впливу мікрохвильової енергії. Важливо не пошкодити й не змінювати запобіжні блокування.
2. Не розміщуйте будь-який предмет між передньою поверхнею печі та дверцятами, а також не допускайте накопичення на поверхнях ущільнення бруду або залишків мийних засобів.
3. Не використовуйте мікрохвильову піч, якщо вона пошкоджена. Дуже важливо, щоб дверцята печі правильно закривалися і щоб не було пошкоджень
  - a. дверцят (зокрема будь-яких згинань),
  - b. петель та заціпок (зламани або ослаблені),
  - c. ущільнень дверцят та поверхонь ущільнення.
4. Жодна особа, окрім кваліфікованого персоналу із сервісного обслуговування, не повинна здійснювати регулювання або ремонт печі.

# ВАЖЛИВІ ІНСТРУКЦІЇ З ТЕХНІКИ БЕЗПЕКИ

Під час використання електроприладу слід дотримуватися основних запобіжних заходів, зокрема наступних:

**УВАГА!** Для зменшення ризику опіків, ураження електричним струмом, пожежі, травм або впливу надмірної мікрохвильової енергії:

1. Використовуйте цей прилад тільки за призначенням, як описано в посібнику. Не використовуйте корозійні хімічні речовини або випари в цьому приладі. Цей тип печі спеціально призначений для нагрівання, приготування або сушіння їжі. Цей прилад не призначений для промислового або лабораторного використання.
2. Не використовуйте мікрохвильову піч, коли вона порожня.
3. Не використовуйте цей прилад, якщо він має пошкоджений шнур або вилку, якщо він не працює правильно, або якщо він був пошкоджений або падав. З метою уникнення небезпеки, заміна пошкодженого шнура живлення повинна здійснюватися виробником, фахівцем сервісного центру або іншою кваліфікованою особою.
4. **УВАГА!** Дозволяйте дітям користуватися приладом без нагляду лише після надання відповідних інструкцій, щоб дитина могла безпечно користуватися піччю та розуміти небезпеку неналежного використання.
5. Щоб зменшити ризик пожежі в порожнині печі:
  - Під час нагрівання харчових продуктів у пластиковій або паперовій тарі часто перевіряйте піч через можливість займання.
  - Перед тим, як помістити паперові або поліетиленові пакети в піч, зніміть із них будь-які зав'язки.
  - Якщо ви помітили дим, вимкніть або від'єднайте прилад від джерела живлення і тримайте дверцята зачиненими, щоб заглушити будь-яке полум'я.
  - Не використовуйте порожнину для зберігання. Не залишайте паперові вироби, посуд для приготування їжі або їжу в порожнині, коли прилад не використовується.
  - Мікрохвильова піч призначена для розігрівання продуктів харчування та напоїв. Сушіння їжі або одягу та нагрівання гріючих подушечок, тапочок, губок, вологої тканини та подібних предметів може призвести до ризику травмування, займання або пожежі.
6. **УВАГА!** Рідину або інші продукти харчування не слід нагрівати в герметичних контейнерах, оскільки вони можуть вибухнути.

7. Мікрохвильове нагрівання напою може призвести до закипання і розбризкування із затримкою, тому слід бути обережним під час перенесення контейнера.
8. Не смажте їжу в печі. Гаряча олія може пошкодити деталі печі та посуд і навіть призвести до опіків шкіри.
9. Яйця в шкарлупі та цілі зварені круто яйця не слід розігрівати в мікрохвильових печах, оскільки вони можуть вибухнути навіть після закінчення мікрохвильового нагрівання.
10. Перед приготуванням проколюйте продукти з твердою шкіркою, зокрема картоплю, цілі гарбузи, яблука та каштани.
11. Вміст пляшок для годування та банок для немовлят слід перемішати або струсити, а перед подачею перевірити температуру, щоб уникнути опіків.
12. Посуд може стати гарячим через тепло, що передається від нагрітої їжі. Для перенесення посуду можуть знадобитися кухонні рукавички.
13. Слід перевірити посуд, щоб переконатися, що він придатний для використання в мікрохвильовій печі.
14. **УВАГА!** Будь-які операції з обслуговування або ремонту, які передбачають зняття покриття, що забезпечує захист від впливу мікрохвильової енергії, мають виконуватися кваліфікованим фахівцем, в іншому разі це може бути небезпечно.
15. Цей прилад є радіочастотним обладнанням групи 2 класу В з діапазоном частот IS. Група 2 містить усе радіочастотне обладнання (промислове, наукове й медичне) з діапазоном частот IS, в якому радіочастотна енергія навмисно генерується та/або використовується у вигляді електромагнітного випромінювання для обробки матеріалу та електроерозійного обладнання. Обладнання класу В — це обладнання, придатне для використання в житлових місцях та в установах, безпосередньо підключених до мережі електропостачання низької напруги, яка живить будівлі, що використовуються для побутових цілей.
16. Цей пристрій не призначений для використання особами (в тому числі дітьми) з обмеженими фізичними, сенсорними або розумовими здібностями, а також особами без необхідного досвіду та знань, якщо вони не перебувають під наглядом або не отримали інструкції щодо використання пристрою з боку особи, яка відповідає за їхню безпеку.
17. Не залишайте дітей без нагляду, а також переконайтеся, що вони не граються з приладом.
18. Мікрохвильова піч використовується лише в автономному режимі.
19. **УВАГА!** Не встановлюйте піч над варильною поверхнею або іншим теплогенеруючим приладом. Під час такого встановлення прилад може бути пошкоджений і гарантія не діятиме.
20. Мікрохвильову піч не слід розміщувати в шафі.

21. УВАГА: прилад та його доступні частини можуть нагріватися під час роботи.
22. **УВАГА!** Доступні частини можуть нагріватися під час використання. Малих дітей слід тримати осторонь.
23. Під час використання прилад стає гарячим. Слід бути обережним та не торкатися нагрівальних елементів всередині печі, для приготування вареної їжі та печі.
24. Температура поверхонь у зоні досяжності, може бути високою, коли прилад працює.
25. Прилад повинен бути розташований біля стіни.
26. Прилад не повинен використовуватися дітьми або особами з обмеженими фізичними, сенсорними або розумовими здібностями, або з відсутністю досвіду та знань, якщо вони не знаходяться під наглядом або не отримали інструкцій.
27. **УВАГА!** Якщо дверцята або ущільнення дверцят пошкоджені, піч не можна вмикати, доки вона не буде відремонтована компетентним фахівцем.
28. Ці прилади не призначені для роботи з використанням зовнішнього таймера або окремої системи дистанційного керування.
29. Мікрохвильова піч призначена лише для побутового використання, а не для комерційного.
30. Ніколи не знімайте прокладку для збереження відстані в задній частині або збоку, оскільки вона забезпечує мінімальну відстань від стіни для циркуляції повітря.
31. Будь ласка, закріпіть поворотний стіл перед переміщенням приладу, щоб уникнути пошкоджень.
32. **УВАГА!** Ремонт або обслуговування приладу повинен здійснювати тільки фахівець, оскільки це потребує зняття кришки, яка забезпечує захист від мікрохвильового випромінювання. Це стосується також заміни шнура живлення або освітлення. У таких випадках відправте прилад до нашого сервісного центру.
33. Мікрохвильова піч призначена лише для розморожування, приготування та пропарювання їжі.
34. Використовуйте рукавички, якщо ви виймаєте будь-які нагріті продукти харчування.
35. Застереження! Під час відкривання кришки чи розгортання фольги вийде пара.
36. Даний пристрій може використовуватися дітьми віком від 8 років та особами з обмеженими фізичними, сенсорними або розумовими здібностями, а також особами без необхідного досвіду та знань, якщо вони перебувають під наглядом або отримали інструкції щодо безпечного використання пристрою і розуміють можливу небезпеку. Не дозволяйте

дітям гратися з пристроєм. Очищення та технічне обслуговування не має здійснюватися дітьми віком до 8 років та без нагляду.

37. У разі виділення диму, вимкніть або від'єднайте прилад від джерела живлення і тримайте дверцята зачиненими, щоб заглушити будь-яке полум'я.

## ПОСІБНИК ІЗ ВСТАНОВЛЕННЯ

1. Переконайтеся, що всі пакувальні матеріали видалені зсередини приладу.
2. **УВАГА!** Перевірте піч на наявність будь-яких пошкоджень, таких як неправильно вирівняних або зігнутих дверцят, пошкодженого ущільнення дверцят та поверхонь ущільнення, зламаних або ослаблених петель дверцят, защіпок та вм'ятин усередині порожнини або на дверцятах. У разі будь-яких пошкоджень не використовуйте піч та зверніться до кваліфікованого персоналу із сервісного обслуговування.
3. Цю мікрохвильову піч потрібно розмістити на плоскій, стабільній поверхні, щоб утримувати її вагу та найважчу їжу, яка, ймовірно, буде приготована в печі.
4. Не встановлюйте піч там, де утворюється тепло або висока вологість, або поблизу горючих матеріалів.
5. Для правильної роботи піч повинна мати достатній потік повітря. Залиште 20 см простору над верхньою поверхнею печі, 10 см позаду й 5 см з обох боків. Не закривайте та не блокуйте будь-які отвори на приладі. Не знімайте ніжки.
6. Не використовуйте піч без скляного лотка, роликової опори та вала в належних положеннях.
7. Переконайтеся, що шнур живлення не пошкоджений і не проходить під приладом або над будь-якою гарячою або гострою поверхнею.
8. Розетка повинна бути легкодоступною, щоб прилад можна було легко від'єднати в надзвичайній ситуації.
9. Не використовуйте піч на вулиці.

## РАДІОПЕРЕШКОДИ

Робота мікрохвильової печі може спричинити перешкоди для радіо, телевізора або подібного обладнання. У разі виникнення перешкод вони можуть бути зменшені або усунені шляхом вжиття наступних заходів:

1. Очистіть дверцята та поверхню ущільнення печі.

2. Переорієнтуйте приймальну антену радіо або телебачення.
3. Перемістіть мікрохвильову піч відносно приймача.
4. Перемістіть мікрохвильову піч подалі від приймача.
5. Підключіть мікрохвильову піч до іншої розетки так, щоб вона та приймач були на різних гілках.

## ПРИНЦИПИ ПРИГОТУВАННЯ В МІКРОХВИЛЬОВІЙ ПЕЧІ

1. Акуратно розкладіть їжу. Покладіть найтовщі ділянки із зовнішнього боку посудини.
2. Спостерігайте за часом приготування. Готуйте протягом найкоротшого зазначеного часу і додайте більше за потреби. Сильно перетримана їжа може диміти або зайнятися.
3. Накрийте продукти під час приготування. Кришка запобігає розбризкуванню і допомагає продуктам готуватися рівномірно.
4. Переверніть їжу один раз під час приготування в мікрохвильовій печі, щоб пришвидшити приготування таких продуктів, як курка та гамбургери. Великі страви, такі як печеня, слід перевернути хоча б один раз.
5. Змініть розташування їжі, наприклад, фрикадельок, щойно мине половина часу приготування, як зверху донизу, так і з центру страви назовні.

## ІНСТРУКЦІЇ ЩОДО ЗАЗЕМЛЕННЯ

Цей прилад повинен бути заземлений. Ця піч обладнана шнуром із заземлюючим дротом та заземлюючою вилкою. Вона повинна бути підключена до настінної розетки, яка правильно встановлена та заземлена. У разі короткого замикання заземлення зменшує ризик ураження електричним струмом, забезпечуючи дріт для відведення електричного струму. Рекомендується забезпечити окремий контур, що обслуговує лише мікрохвильову піч. Використання високої напруги є небезпечним і може призвести до пожежі або іншої аварії, що призведе до пошкодження печі.

**УВАГА!** Неправильне використання вилки заземлення може створити ризик ураження електричним струмом.

### **Примітка:**

1. Якщо у вас виникають запитання щодо інструкцій із заземлення або електрики, зверніться до кваліфікованого електрика або фахівця із сервісного обслуговування.
2. Ні виробник, ні дилер не несуть жодної відповідальності за пошкодження печі або травми, спричинені недотриманням процедур електричного підключення.

Дроти в цій кабельній мережі мають кольорове позначення відповідно до такого коду:

**Зелений і жовтий = ЗАЗЕМЛЕННЯ**

**Синій = НУЛЬ**

**Коричневий = ФАЗА**

## **ПЕРШ НІЖ ЗВЕРНУТИСЯ ДО СЛУЖБИ ПІДТРИМКИ**

Якщо піч не працює:

1. Перевірте, чи піч підключена надійно. Якщо ні, витягніть вилку з розетки, зачекайте 10 секунд та знову надійно підключіть її.
2. Перевірте, чи не перегорів запобіжник або чи не вимкнено головний вимикач. Якщо вони працюють правильно, перевірте розетку за допомогою іншого приладу.
3. Перевірте, чи правильно запрограмована панель управління та встановлено таймер.
4. Перевірте, щоб дверцята були надійно зачинені, увімкнувши систему блокування дверцят. Якщо дверцята не закриті правильно, мікрохвильова енергія не буде спрямована всередину.

**ЯКЩО ЖОДЕН ІЗ НАВЕДЕНИХ ВИЩЕ ПУНКТИВ НЕ ВИПРАВЛЯЄ СИТУАЦІЮ,  
ЗВЕРНІТЬСЯ ДО КВАЛІФІКОВАНОГО ТЕХНІКА. НЕ НАМАГАЙТЕСЯ  
НАЛАШТУВАТИ АБО РЕМОНТУВАТИ ПІЧ САМОСТІЙНО.**

## **ПОСІБНИК ЩОДО ПОСУДУ**

1. Мікрохвильове випромінювання не може проникати крізь метал. Використовуйте тільки посуд, який підходить для використання в мікрохвильових печах. Не дозволяється використовувати металеві



контейнери для їжі та напоїв під час приготування в мікрохвильовій печі. Ця вимога не стосується випадків, коли виробник зазначає розмір і форму металевих контейнерів, які підходять для використання в мікрохвильовій печі.

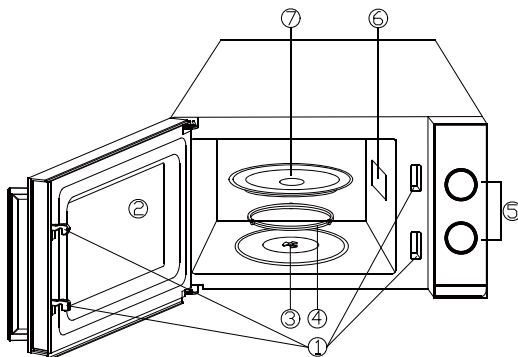
2. Мікрохвильове випромінювання не може проникати крізь метал, тому не слід використовувати металевий посуд або посуд із металевим обрамленням.
3. Не використовуйте перероблені паперові вироби під час приготування в мікрохвильовій печі, оскільки вони можуть містити дрібні металеві фрагменти, які можуть спричинити іскри та/або пожежу.
4. Рекомендується використовувати круглий/овальний посуд, а не квадратний/прямокутний, оскільки їжа в кутах зазвичай перегрівається.
5. Можна використовувати вузькі смужки алюмінієвої фольги для запобігання перегріванню відкритих ділянок. Але будьте обережні, не використовуйте занадто багато фольги й зберігайте відстань 2,54 см між фольгою та порожниною.

Нижченаведений список є загальними рекомендаціями, які допоможуть вам вибрати правильний посуд.

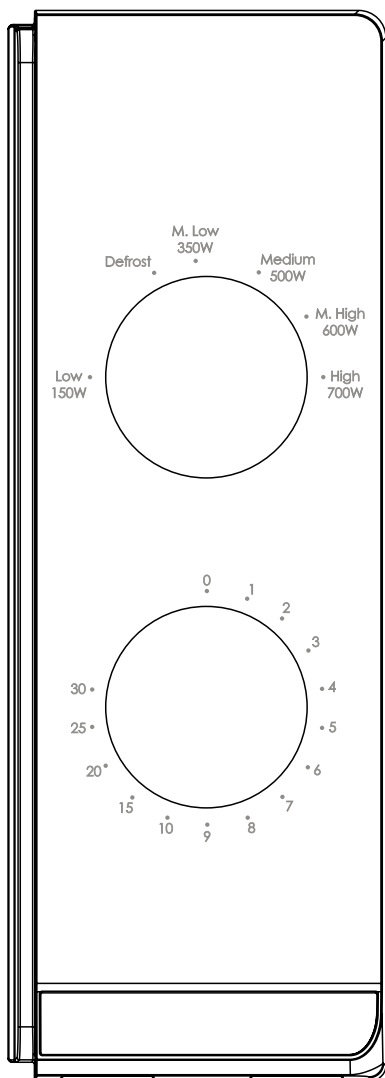
ПОСУД	МІКРОХВИЛЬОВА ПІЧ
Термостійке скло	Так
Не термостійке скло	Ні
Термостійка кераміка	Так
Пластиковий посуд, безпечний для мікрохвильового випромінювання	Так
Кухонний папір	Так
Металевий лоток	Ні
Металева стійка	Ні
Алюмінієва фольга та контейнери з фольги	Ні

# НАЗВИ ДЕТАЛЕЙ

1. Система блокування дверцят
2. Віконце печі
3. Вал
4. Роликове кільце
5. Панель управління
6. Посібник по хвилях  
(Будь ласка, не знімайте  
сльодяну пластину, що  
закриває хвилевод)
7. Скляний лоток



# ПАНЕЛЬ УПРАВЛІННЯ



Панель управління складається з двох функціональних операторів. Один - це ручка таймера, а інший - ручка живлення.

## **ВИБІР ВИКОНАВЦЯ /ВИКОНАВЦЯ**

Використовуйте цю ручку оператора, щоб вибрати рівень потужності приготування. Це перший крок до початку сеансу приготування.

## **РУЧКА ТАЙМЕРА**

Запропонуйте налаштування візуального часу на легкому повороті великого пальця, щоб вибрати потрібний час приготування до 30 хвилин на сеанс приготування.

## **ПРИГОТУВАННЯ В МІКРОХВИЛЬОВІЙ ПЕЧІ**

Для чистого приготування в мікрохвильовій печі існує шість рівнів потужності, з яких можна вибрати один, який найкраще підходить для роботи під рукою.

Рівень потужності збільшується при повороті ручки за годинниковою стрілкою. Рівні потужності можна класифікувати наступним чином:

	Вихідну потужність	Опис
1	700 Вт	ВИСОКИЙ
2	600 Вт	M.HIGH
3	500 Вт	Мед
4	350 Вт	M.LOW
5		РОЗМОРОЖЕННЯ:
6	150 Вт	НИЗЬКИЙ

# ЕКСПЛУАТАЦІЯ

Щоб розпочати сеанс приготування,

1. Помістіть їжу в духовку та зачиніть дверцята.
2. Поверніть селектор потужності, щоб вибрати рівень потужності.
3. Використовуйте ручку таймера, щоб встановити час приготування

## **ПРИМІТКА:**

Як тільки таймер увімкнено, духовка починає готувати.

Вибираючи час менше 2 хвилин, поверніть таймер на минулі 2 хвилини, а потім поверніться до потрібного часу.

**ЗАСТЕРЕЖЕННЯ: ЗАВЖДИ ПОВЕРТАЙТЕ ТАЙМЕР У НУЛЬОВЕ ПОЛОЖЕННЯ,** якщо їжу видалено

з духовки до завершення встановленого часу приготування або коли духовка не використовується. Щоб зупинити духовку під час приготування їжі, натисніть кнопку відчинення дверцят або відкрийте дверцята за ручку.

# ОЧИЩЕННЯ ТА ДОГЛЯД

1. Перед очищенням вимкніть піч та від'єднайте кабель живлення від розетки.
2. Тримайте внутрішню частину печі чистою. Коли бризки від їжі або розлиті рідини прилипають до стінок печі, протріть їх вологою тканиною. Якщо піч сильно забруднена, можна використовувати м'які мийні засоби. Уникайте використання розпилювача або інших агресивних очищувачів, оскільки вони можуть залишати плями та смуги на дверцятах або приглушити колір їх поверхні.
3. Зовнішні поверхні слід очищувати вологою тканиною. Щоб запобігти пошкодженню робочих частин всередині печі, не допускайте потрапляння води у вентиляційні отвори.
4. Часто протирайте дверцята та вікно з обох боків, а також ущільнення дверцят та прилеглі частини вологою тканиною, щоб усунути будь-які розливи або бризки. Не використовуйте абразивні очищувачі.
5. Не слід використовувати пароочисник.
6. Запобігайте потраплянню вологи на панель управління. Очищування здійснюйте м'якою вологою тканиною. Під час очищення панелі управління залиште дверцята печі відкритими, щоб запобігти випадковому її ввімкненню.

7. Якщо пара накопичується всередині або навколо зовнішніх дверцят печі, протріть їх м'якою тканиною. Це може виникнути, коли мікрохвильова піч працює в умовах високої вологості. І це нормально.
8. Іноді потрібно виймати скляний піддон для очищення. Мийте піддон у теплій мильній воді або в посудомийній машині.
9. Роликове кільце та основу печі слід регулярно очищати, щоб уникнути надмірного шуму. Просто протріть нижню поверхню печі м'яким мийним засобом. Роликове кільце можна промити в м'якій мильній воді або в посудомийній машині. Після виймання роликового кільця з основи порожнини для очищення, обов'язково встановіть його назад у правильне положення.
10. Усуньте запахи з печі, наливши чашку води та додавши сік та шкірку лимону в посуд, придатний приготування в мікрохвильовій печі. Увімкніть мікрохвильову піч на 5 хвилин. Ретельно протріть та висушіть м'якою тканиною.
11. Коли потрібно замінити освітлення печі, зверніться в службу підтримки клієнтів для здійснення такої заміни.
12. Піч слід регулярно очищати, а будь-які залишки харчових продуктів слід видаляти. Непідтримання чистого стану печі може призвести до погіршення стану поверхні, що може негативно вплинути на термін служби приладу і, можливо, призвести до небезпечної ситуації.
13. Будь ласка, не викидайте цей прилад у контейнер для побутового сміття; його слід утилізувати в спеціалізованому центрі утилізації, створеному міською владою.

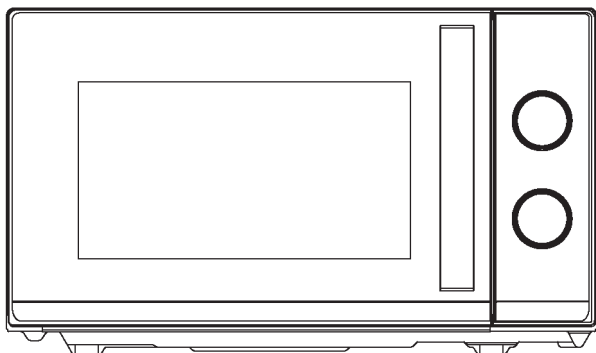


Цей прилад маркується відповідно до Європейської Директиви 2012/19/ЄС щодо Регламенту відходів електричного та електронного обладнання 2013 року щодо електричних та електронних приладів (WEEE). ВЕЕО містять як забруднюючі речовини (які можуть негативно впливати на навколишнє середовище), так і базові елементи (які можуть бути використані повторно). Важливо, щоб ВЕЕО проходили спеціальну обробку для належного усунення та переробки забруднюючих речовин, а також для відновлення всіх матеріалів. Фізичні особи можуть відігравати важливу роль у забезпеченні того, щоб ВЕЕО не стали проблемою для навколишнього середовища; необхідно дотримуватися певних основних правил:

- ВЕЕО не слід поміщати разом з побутовими відходами.
- ВЕЕО слід доправити в спеціалізовані пункти збору, які управляються міською владою або зареєстрованою компанією.












У багатьох країнах для великих ВЕЕО здійснюється забір із дому. Коли ви купуєте новий прилад, старий може бути повернений у точку роздрібно́ї торгівлі, яка повинна безкоштовно забрати його за принципом один до одного, за умови якщо це аналогічне обладнання, яке має ті ж функції, що й новий прилад.

# Navodila za uporabo mikrovalovne pečice



Model: CMW20TNMB

Pred namestitvijo in uporabo pečice natančno preberite ta navodila.

<b>Haier Europe</b> Candy  Haier	<b>PT</b>  707 200 188 210 010 773	<b>IT</b>  02 400 48 200	<b>ES</b>  902 100 150 943 914 150	<b>DE</b>  0800 500 48 48
<b>BE</b>  <b>LU</b>  02 752 94 10	<b>NL</b>  33 422 4000	<b>AT</b>  0820 220 224	<b>GR</b>  801 11 50 50 50	<b>CH</b>  0848 780 780

70017948

# VSEBINA

SPECIFIKACIJE .....	2
PREVIDNOSTNI UKREPI ZA PREPREČEVANJE MOREBITNE IZPOSTAVLJENOSTI PREKOMERNI MIKROVALOVNI ENERGIJI .....	2
POMEMBNA VARNOSTNA NAVODILA .....	3
VODNIK ZA NAMESTITEV.....	5
RADIJSKE MOTNJE .....	6
NAČELA MIKROVALOVNEGA KUHANJA.....	6
NAVODILA ZA OZEMLJITEV .....	7
PREDEN POKLIČETE ZA SERVIS.....	7
VODNIK ZA PRIPOMOČKE .....	8
IMENA DELOV .....	9
UPRAVLJANA PLOŠČA.....	10
Izbirnik moči/delovanja.....	10
Gumb za časovnik .....	10
Priprava hrane v mikrovalovni pečici .....	10
DELOVANJE.....	11
ČIŠČENJE IN NEGA.....	11



# SPECIFIKACIJE

Poraba energije:	230–240 V/50 Hz, 1200 W (mikrovalovna pečica)
Nazivna izhodna moč mikrovalovne pečice:	700 W
Frekvenca delovanja:	2450 MHz
Zunanje dimenzije:	262 mm (V) × 452 mm (Š) × 346 mm (D)
Dimenzije notranjosti pečice:	198 mm (V) × 315 mm (Š) × 297 mm (D)
Zmogljivost pečice:	kompaktnih 20 litrov
Neto teža:	približno 10,8 kg

## PREVIDNOSTNI UKREPI ZA PREPREČEVANJE MOREBITNE IZPOSTAVLJENOSTI PREKOMERNI MIKROVALOVNI ENERGIJI

1. Pečice ne poskušajte upravljati pri odprtih vratih, saj lahko delovanje pri odprtih vratih povzroči škodljivo izpostavljenost mikrovalovni energiji. Pomembno je, da varnostni zapor ne odklopite ali spreminjate.
2. Med sprednjo stran pečice in vrata ne postavljajte predmetov in ne dovolite, da bi se na tesnilnih površinah kopičili ostanki zemlje ali čistil.
3. Pečice ne uporabljajte, če je poškodovana. Še posebej pomembno je, da se vrata pečice pravilno zaprejo in da ni poškodb na
  - a. vratih (ukrivljena),
  - b. tečajih in zapahi (zlomljeni ali ohlapni),
  - c. tesnilih vrat in tesnilnih površinah.
4. Pečice ne sme nastavljati ali popravljati nihče razen primerno usposobljenega servisnega osebja.

# POMEMBNA VARNOSTNA NAVODILA

Pri uporabi električne naprave je treba upoštevati osnovne varnostne ukrepe, vključno z naslednjim:

**OPOZORILO!** Za zmanjšanje tveganja opeklin, električnega udara, požara, poškodb oseb ali izpostavljenosti prekomerni mikrovalovni energiji:

1. Napravo uporabljajte samo za predvideno uporabo, kot je opisano v tem priročniku. V tej napravi ne uporabljajte jedkih kemikalij ali hlapov. Ta vrsta pečice je posebej zasnovana za segrevanje, kuhanje ali sušenje hrane. Ni namenjena industrijski ali laboratorijski uporabi.
2. Pečice ne uporabljajte, ko je prazna.
3. Naprave ne uporabljajte, če ima poškodovan kabel ali vtič, če ne deluje pravilno ali če je poškodovana ali je padla na tla. Če je priključni kabel poškodovan, morate preprečiti morebitna tveganja, zato ga sme nadomestiti samo proizvajalec, njegov servisni agent ali drug kvalificiran serviser.
4. **OPOZORILO!** Otroci lahko pečico uporabljajo brez nadzora samo, če so jim bila podana ustrezna navodila in lahko pečico uporabljajo na varen način ter razumejo nevarnosti nepravilne uporabe.
5. Za zmanjšanje tveganja požara v notranjem prostoru pečice:
  - Pri segrevanju hrane v plastični ali papirnati posodi bodite pozorni zaradi možnosti vžiga.
  - Preden papirnat ali plastično vrečko postavite v pečico, z nje odstranite vezice.
  - Če opazite dim, izklopite ali odklopite napravo, vrata pa naj ostanejo zaprta, da se ogenj zaduši.
  - Notranjega prostora ne uporabljajte za shranjevanje. Ne puščajte papirnatih izdelkov, kuhinjskih pripomočkov ali hrane v notranjem prostoru, ko pečice ne uporabljate.
  - Mikrovalovna pečica je namenjena segrevanju hrane in pijač. Sušenje hrane ali oblačil in segrevanje grelnih blazinic, copat, gobic, vlažnih krp in podobno lahko povzroči nevarnost poškodb, vžiga ali požara.
6. **OPOZORILO!** Tekočih ali drugih živil ne smete segrevati v zaprtih posodah, ker lahko eksplodirajo.
7. Mikrovalovno segrevanje pijače lahko povzroči zapoznelo eruptivno vrenje, zato morate biti pri ravnanju s posodo previdni.
8. Pečice ne uporabljajte za cvrtje hrane. Vroče olje lahko poškoduje dele in pribor pečice ter celo povzroči opekline kože.

9. Jajc v lupini in celih trdo kuhanih jajc se v mikrovalovnih pečicah ne sme segreti, saj lahko eksplodirajo tudi po koncu mikrovalovnega segrevanja.
10. Pred kuhanjem živila s trdim olupkom, kot so krompir, cele buče, jabolka in kostanje, preluknjajte.
11. Vsebino steklenic za hranjenje in kozarcev hrane za dojenčke je treba premešati ali pretresti in pred serviranjem preveriti temperaturo, da preprečite opekline.
12. Pribor za kuhanje lahko zaradi visokih temperatur, ki se prenese s segrete hrane, postane vroč. Za rokovanje s priborom boste morda potrebovali kuhinjska držala.
13. Preverite, ali je pribor primeren za uporabo v mikrovalovni pečici.
14. **OPOZORILO!** Izvajanje kakršnih koli servisov ali popravil, ki vključujejo odstranjevanje kakršnega koli pokrova, ki zagotavlja zaščito pred izpostavljenostjo mikrovalovni energiji, je nevarno za vse osebe, ki niso usposobljene za to delo.
15. Ta izdelek je oprema ISM oprema razreda B skupine 2. Opredelitev skupine 2, ki vsebuje vso opremo ISM (industrijsko, znanstveno in medicinsko), v kateri se namerno proizvaja in/ali uporablja radiofrekvenčna energija v obliki elektromagnetnega sevanja za obdelavo materiala, in opremo za erozijo isker. Oprema razreda B je oprema, primerna za uporabo na lokacijah v stanovanjskih okoljih in ustanovah, neposredno povezanih z nizkonapetostnim napajalnim omrežjem, ki oskrbuje stavbe za gospodinjske namene.
16. Naprava ni namenjena uporabi s strani oseb (vključno z otroki) z zmanjšanimi fizičnimi, senzoričnimi ali mentalnimi sposobnostmi ali oseb brez izkušenj in znanja, razen če jih oseba, odgovorna za njihovo varnost, nadzira ali pouči o uporabi naprave.
17. Otroci morajo biti pod nadzorom, da preprečite, da bi se igrali z napravo.
18. Mikrovalovna pečica se uporablja samo v prostostojećem stanju.
19. **OPOZORILO!** Pečice ne nameščajte na kuhhalno ploščo ali drugo napravo, ki proizvaja toploto. Takšna namestitvev bi lahko povzročila poškodbe in garancija ne bi veljala.
20. Mikrovalovne pečice ne smete namestiti v omarico.
21. **OPOZORILO!** Naprava in njeni dostopni deli se med delovanjem močno segrejejo.
22. **OPOZORILO!** Dostopni deli se lahko med uporabo segrejejo. Majhni otroci naj se zadržujejo stran od naprave.
23. Med uporabo se naprava segreje. Pazite, da se ne dotikate grelnih elementov v notranjosti pečice.
24. Temperatura dostopnih površin je lahko med delovanjem naprave visoka.
25. Napravo namestite ob steno.
26. Naprave ne smejo uporabljati otroci ali osebe z zmanjšanimi fizičnimi, senzoričnimi ali mentalnimi sposobnostmi ali osebe, ki nimajo dovolj izkušenj in znanja, razen pod nadzorom ali če so bile dobro poučene.
27. **OPOZORILO!** Če so vrata ali tesnila vrat poškodovana, pečice ne smete uporabljati, dokler je ne popravi pristojna oseba.

28. Naprava ni predvidena za delovanje z zunanjim časovnikom ali ločenim sistemom za daljinsko upravljanje.
29. Mikrovalovna pečica je namenjena samo gospodinjski uporabi in ne komercialni uporabi.
30. Nikoli ne odstranite držala za razdaljo zadaj ali ob straneh, saj zagotavlja najmanjšo razdaljo od stene, ki še omogoča kroženje zraka.
31. Pred premikanjem naprave zavarujte vrtljivi podstavek, da se izognete poškodbam.
32. **POZOR!** Napravo lahko popravi ali vzdržuje samo strokovnjak, saj je treba v tem primeru odstraniti pokrov, ki zagotavlja zaščito pred mikrovalovnim sevanjem, kar je nevarno. To velja tudi za menjavo napajalnega kabla ali osvetlitve. Napravo v teh primerih pošljite v naš servisni center.
33. Mikrovalovna pečica je namenjena samo odmrzovanju, kuhanju in parjenju hrane.
34. Pri odstranjevanju segrete hrane uporabite rokavice.
35. Pozor! Pri odpiranju pokrovov ali zavijanju folije bo uhajala para.
36. To napravo lahko uporabljajo otroci, starejši od 8 let, ter osebe z zmanjšanimi fizičnimi, senzoričnimi ali umskimi zmožnostmi ali s pomanjkanjem izkušenj in znanja, pod ustreznim nadzorom, ali če imajo navodila za varno uporabo naprave ter če razumejo s tem povezana tveganja. Otroci naj se z aparatom ne igrajo. Otroci ne smejo izvajati čiščenja in vzdrževanja naprave, razen če so stari več kot 8 let in so pod nadzorom.
37. Če opazite dim, izklopite ali odklopite napravo, vrata pa naj ostanejo zaprta, da se ogenj zaduši.

## VODNIK ZA NAMESTITEV

1. Prepričajte se, da ste iz notranjosti odstranili vso embalažo.
2. **OPOZORILO:** Preverite, ali je pečica kakor koli poškodovana, na primer napačno poravnana ali upognjena vrata, poškodovana tesnila vrat in tesnilna površina, zlomljeni ali ohlapni tečajji vrat ter zapahi in vdolbine v notranjosti pečice ali na vratih. Če opazite poškodbe, pečice ne uporabljajte in se obrnite na usposobljeno servisno osebje.
3. To mikrovalovno pečico je treba postaviti na ravno, stabilno površino, ki lahko drži njeno težo in najtežjo hrano, ki se bo verjetno kuhala v pečici.
4. Pečice ne postavljajte na mesto, kjer nastajajo toplota, vlaga ali visoka vlažnost, ali v bližino gorljivih materialov.
5. Za pravilno delovanje mora imeti pečica zadosten pretok zraka. Nad pečico naj bo 20 cm prostora, za njo 10 cm in 5 cm na obeh straneh. Ne prekrivajte ali zamašite odprtih na napravi. Ne odstranjujte nog.

6. Pečice ne uporabljajte brez steklenega pladnja, podpore valja in gredi v ustreznih položajih.
7. Prepričajte se, da napajalni kabel ni poškodovan in ne teče pod pečico ali čez vročo ali ostro površino.
8. Vtičnica mora biti zlahka dostopna, tako da je kabel mogoče v nujnih primerih enostavno odklopiti.
9. Pečice ne uporabljajte na prostem.

## RADIJSKE MOTNJE

Delovanje mikrovalovne pečice lahko povzroči motnje na radiu, televiziji ali podobni opremi. Motnje je mogoče zmanjšati ali odpraviti z naslednjimi ukrepi:

1. Očistite vrata in tesnilno površino pečice.
2. Preusmerite sprejemno anteno radia ali televizije.
3. Premaknite mikrovalovno pečico glede na sprejemnik.
4. Premaknite mikrovalovno pečico stran od sprejemnika.
5. Mikrovalovno pečico priključite v drugo vtičnico, tako da sta mikrovalovna pečica in sprejemnik na različnih tokokrogih.

## NAČELA MIKROVALOVNEGA KUHANJA

1. Previdno razporedite hrano. Najdebelejše dele postavite na zunanjo stran posode.
2. Opazujte čas priprave jedi. Kuhajte najkrajši navedeni čas in po potrebi dodajte več časa. Hrana, ki je močno prekuhana, se lahko kadi ali vname.
3. Med kuhanjem živila pokrijte. Pokrovi preprečujejo škropljenje in pomagajo pri enakomernem kuhanju živil.
4. Med mikrovalovnim kuhanjem enkrat obrnite hrano, da pospešite pripravo živil, kot so piščančje meso in pleskavice. Velika živila, kot je pečenka, obrnite vsaj enkrat.
5. Prerazporedite živila, kot so mesne kroglice, na polovici kuhanja od zgoraj navzdol in od sredine posode navzven.

# NAVODILA ZA OZEMLJITEV

Naprava mora biti ustrezno ozemljena. Ta pečica je opremljena s kablom, ki ima ozemljitveno žico z ozemljitvenim priključkom. Priključiti ga je treba v stensko vtičnico, ki je pravilno nameščena in ozemljena. V primeru kratkega električnega stika ozemljitev zmanjša tveganje električnega udara, saj zagotavlja izhodne žice za električni tok. Priporočljivo je, da se zagotovi ločeno vezje, ki je namenjeno samo pečici. Uporaba visoke napetosti je nevarna in lahko povzroči požar ali drugo nesrečo, ki povzroči poškodbe pečice.

**OPOZORILO!** Nepravilna uporaba ozemljitvenega priključka lahko povzroči električni šok.

## **Opomba:**

1. Če imate kakršna koli vprašanja o ozemljitvi ali električnih navodilih, se posvetujte z usposobljenim električarjem ali serviserjem.
2. Proizvajalec in trgovec nista odgovorna za poškodbe pečice ali telesne poškodbe, ki so posledica neupoštevanja postopkov električne priključitve.

Žice v glavnem kablu so obarvane v skladu z naslednjimi oznakami:

**Zelena in rumena = OZEMLJITEV**

**Modra = NEVTRALNO**

**Rjava = POD NAPETOSTJO**

# PREDEN POKLIČETE ZA SERVIS

Če pečica ne deluje:

1. Preverite, ali je pečica varno priključena. Če ni, izvlecite vtič iz vtičnice, počakajte 10 sekund in ga ponovno varno priključite.
2. Preverite, ali je morda pregorela varovalka ali se je sprožil glavni odklopnik. Če se zdi, da oboje delujejo pravilno, preizkusite vtičnico z drugo napravo.
3. Preverite, ali je upravljalna plošča pravilno programirana in je nastavljen časovnik.
4. Preverite, ali so vrata varno zaprta, pri čemer vklopite varnostni sistem zaklepanja vrat. V nasprotnem primeru mikrovalovna energija ne bo stekla v pečico.

**ČE NIČ OD NAŠTETEGA NE POPRAVI SITUACIJE, SE OBRNITE NA USPOSOBLJENEGA TEHNIKA. PEČICE NE POSKUŠAJTE NASTAVITI ALI POPRAVITI SAMI.**

# VODNIK ZA PRIPOMOČKE

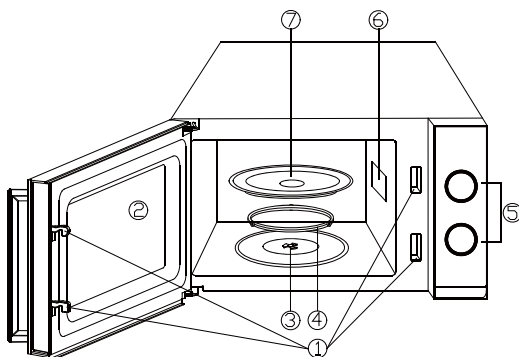
1. Mikrovalovna pečica ne more prodreti skozi kovino. Uporabljajte samo pribor, ki je primeren za uporabo v mikrovalovnih pečicah. Med mikrovalovnim kuhanjem niso dovoljene kovinske posode za hrano in pijačo. Ta zahteva ne velja, če proizvajalec navede velikost in obliko kovinskih posod, primernih za mikrovalovno kuhanje.
2. Mikrovalovna pečica ne more prodreti skozi kovino, zato ne smete uporabljati kovinskih pripomočkov ali posode s kovinsko oblogo.
3. Pri mikrovalovnem kuhanju ne uporabljajte recikliranih izdelkov iz papirja, saj lahko vsebujejo majhne kovinske delce, ki lahko povzročijo iskre in/ali požar.
4. Priporočamo okrogle/ovalne posode namesto kvadratnih/podolgovatih, saj se hrana v vogalih lahko razkuha.
5. Če želite preprečiti, da bi se izpostavljeni deli prekuhali, lahko uporabite ozke trakove iz aluminijaste folije. Vendar pazite, da je ne uporabite preveč in ohranjajte razdaljo 1 palca (2,54 cm) med folijo in notranjostjo pečice.

Spodnji seznam je splošni vodnik, ki vam lahko pomaga izbrati pravi pribor.

KUHINJSKA POSODA	MIKROVALOVNA PEČICA
Toplotno odporno steklo	Da
Steklo, ki ni odporno na toploto	Ne
Toplotno odporna keramika	Da
Plastična posoda, primerna za mikrovalovno pečico	Da
Kuhinjska papirnata brisača	Da
Kovinski pladenj	Ne
Kovinsko stojalo	Ne
Posode iz aluminijaste folije	Ne

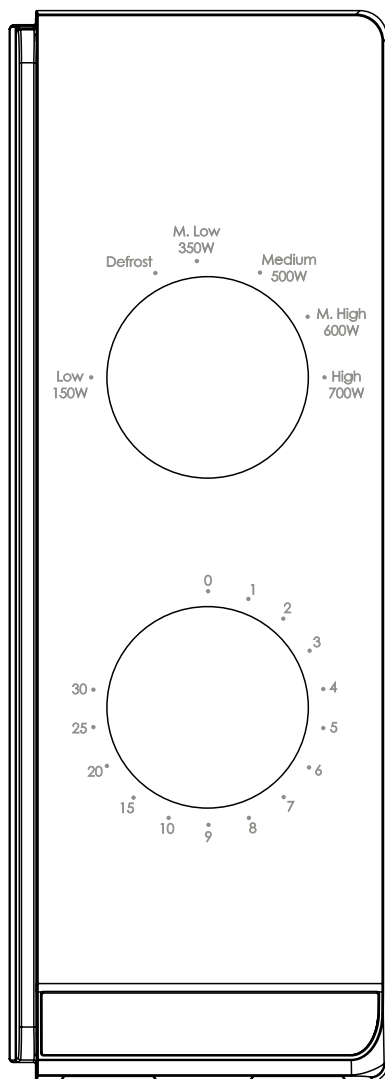
# IMENA DELOV

1. Varnostni sistem zaklepanja vrat
2. Okno pečice
3. Gred
4. Valjčni obroč
5. Upravljalna plošča
6. Vodnik valovanja
7. Stekleni pladenj





# UPRAVLJANA PLOŠČA



Upravljalna plošča je sestavljena iz dveh upravljavcev funkcij. Eden je časovni gumb, drugi pa gumb za moč.

## **IZBIRNIK MOČI/DELOVANJA**

S tem gumbom za upravljanje izberete raven moči kuhanja. To je prvi korak za začetek kuhanja.

## **GUMB ZA ČASOVNIK**

Z njim lahko prek vizualne nastavitve časa s preprostim obratom gumba izberete želeni čas kuhanja do 30 minut na kuhanje.

## **PRIPRAVA HRANE V MIKROVALOVNI PEČICI**

Za čisto kuhanje v mikrovalovni pečici obstaja šest stopenj moči, med katerimi lahko izberete tisto, ki je najbolj primerna za trenutno opravilo.

Raven moči se poveča z vrtenjem gumba v smeri urinega kazalca. Ravni moči lahko razvrstimo tako:

	Izhodna moč	Opis
1	700 W	VISOKO
2	600 W	SREDNJE VISOKO
3	500 W	SREDNJE
4	350 W	SREDNJE NIZKO
5		ODTAJANJE
6	150 W	NIZKO

# DELOVANJE

Za začetek kuhanja

1. Hrano položite v pečico in zaprite vrata.
2. Obrnite izbirnik moči, da izberete raven moči.
3. Obrnite gumb za časovnik, da nastavite čas kuhanja.

## **OPOMBA:**

Takoj, ko časovnik obrnete, pečica začne delovati.

Pri izbiri časa manj kot 2 minuti obrnite časovnik obrnite čez 2 minuti in se nato vrnite na pravi čas.

**POZOR:** ČASOVNIK VEDNO VRNITE V NIČELNI POLOŽAJ, če ste hrano odstranili iz pečice pred koncem nastavljenega časa kuhanja ali ko pečica ni v uporabi. Če želite pečico ustaviti med postopkom delovanja, pritisnite gumb za odpiranje vrat ali odprite vrata z ročajem.

# ČIŠČENJE IN NEGA

1. Pred čiščenjem izklopite pečico in odstranite vtič iz stenske vtičnice.
2. Ohranjajte notranjost pečice čisto. Če hrana ali tekočina poškrapi stene pečice in se nanjo prilepi, jih obrišite z vlažno krpo. Če je pečica zelo umazana, lahko uporabite blagi detergent. Izogibajte se uporabi sprejev in drugih grobih čistil, saj se lahko na površini vrat pojavijo madeži, črte ali potemnitev.
3. Zunanje površine očistite z vlažno krpo. Da bi preprečili poškodbe delov v pečici, voda ne sme pronicati v prezračevalne odprtine.
4. Z vlažno krpo pogosto obrišite vrata in okno na obeh straneh, tesnila vrat in bližnje dele, da odstranite morebitne tekočine ali umazanijo. Ne uporabljajte jedkih čistil.
5. Ne uporabljajte parnega čistilnika.
6. Poskrbite, da upravljalna plošča ni nikoli mokra. Očistite jo z mehko, vlažno krpo. Pri čiščenju upravljalne plošče pustite vrata pečice odprta, da preprečite nenamerni vklop pečice.
7. Če se na notranji strani vrat ali okoli vrat na zunanji strani nabira para, jo obrišite z mehko krpo. To se lahko zgodi, če mikrovalovna pečica deluje v pogojih visoke vlažnosti. In to je običajno.
8. Občasno je treba odstraniti in očistiti stekleni pladenj. Pladenj operite v topli in milnati vodi ali v pomivalnem stroju.
9. Valjčni obroč in dno pečice je treba redno čistiti, da se izognete prekomernemu hrupu. Dno pečice preprosto obrišite z blagim detergentom. Valjčni obroč lahko

operete v blagi milnati vodi ali v pomivalnem stroju. Po odstranitvi valjčnega obroča s tal med čiščenjem poskrbite, da ga ponovno namestite v pravilen položaj.

10. Vonjave iz pečice odstranite tako, da v globoki posodi, primerni za mikrovalovno pečico, skodelico vode zmešate s sokom in lupinico ene limone in jo v pečici segrevate 5 minut. Nato pečico temeljito obrišite in posušite z mehko krpo.
11. Ko je treba zamenjati luč v pečici, se za menjavo posvetujte s prodajalcem.
12. Pečico je treba redno čistiti in odstranjevati morebitne ostanke hrane. Če pečice ne čistite redno, lahko pride do razkrajanja površine, ki lahko negativno vpliva na življenjsko dobo naprave in je lahko nevarno.
13. Naprave ne odlagajte v koš za gospodinjske odpadke, temveč jo odnesite v poseben center za odstranjevanje odpadkov v vaši občini.

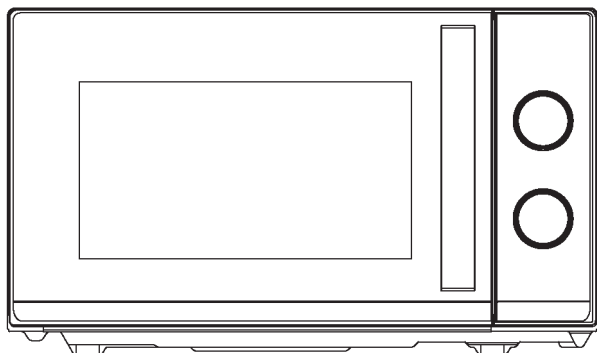


Ta naprava je označena v skladu z evropsko direktivo 2012/19/EU o odpadni električni in elektronski opremi iz leta 2013 (OEEO). OEEO vsebuje onesnaževalne snovi (ki lahko negativno vplivajo na okolje) in osnovne elemente (ki jih je mogoče ponovno uporabiti). Pomembno je, da je OEEO obdelana s posebnimi postopki za pravilno odstranjevanje in odlaganje onesnaževal ter predelavo vseh materialov. Posamezniki imajo lahko pomembno vlogo pri preprečevanju, da bi OEEO postala okoljska težava. Nujno je treba upoštevati nekatera temeljna pravila:

- z OEEO ne smete ravnati kot z gospodinjskimi odpadki.
- OEEO je treba odpeljati v posebne zbirne centre, ki jih upravlja mestni svet ali registrirano podjetje.

V številnih državah je lahko za veliko OEEO na voljo odvoz kosovnih odpadkov iz gospodinjstev. Ob nakupu novega aparata lahko starega oddate prodajalcu, ki ga je dolžan brezplačno prevzeti po načelu eden za enega, če je nova oprema enake vrste in ima enake funkcije kot stara.

# Instrucțiuni pentru cuptorul cu microunde



Model: CMW20TNMB

Citiți cu atenție aceste instrucțiuni înainte de a instala și utiliza cuptorul.

<b>Haier Europe</b> CANYO Haier	<b>PT</b> 707 200 188 210 010 773	<b>IT</b> 02 400 48 200	<b>ES</b> 902 100 150 943 914 150	<b>DE</b> 0800 500 48 48
<b>BE</b> 02 752 94 10	<b>NL</b> 33 422 4000	<b>AT</b> 0820 220 224	<b>GR</b> 801 11 50 50 50	<b>CH</b> 0848 780 780

# CUPRINS

SPECIFICAȚII .....	2
PRECAUȚII PENTRU A EVITA POSIBILE EXPUNERE LA ENERGIE EXCESIVĂ EMISĂ DE MICROUNDDE .....	2
INSTRUCȚIUNI IMPORTANTE DE SIGURANȚĂ .....	3
GHID DE INSTALARE.....	5
INTERFERENȚE RADIO .....	6
PRINCIPII DE GĂTIRE LA MICROUNDDE.....	6
INSTRUCȚIUNI DE ÎMPĂMÂNTARE .....	7
ÎNAINTE DE A SUNA PENTRU SERVICE .....	7
GHID DE USTENSILE .....	8
NUMELE PIESELOR.....	9
PANOU DE CONTROL .....	10
Selector de putere/acțiune .....	10
Butonul pentru cronometru .....	10
Gătirea la microundde .....	10
OPERAȚIUNE.....	11
CURĂȚAREA ȘI ÎNGRIJIREA .....	11

# SPECIFICAȚII

Consumul de energie:	230-240 V/50 Hz, 1200 W (microunde)
Puterea nominală de ieșire a microundelor:	700W
Frecvența de funcționare:	2450MHz
Dimensiuni exterioare:	262 mm (înălțime) × 452 mm (lățime) × 346 mm (ad)
Dimensiuni cavitare cuptor:	198 mm (înălțime) × 315 mm (lățime) × 297 mm (ad)
Capacitate cuptor:	Compact 20 litri
Greutate netă:	Aproximativ 10,8 kg

## PRECAUȚII PENTRU A EVITA POSIBILE EXPUNERE LA ENERGIE EXCESIVĂ EMISĂ DE MICROUND

1. Nu încercați să utilizați acest cuptor cu ușa deschisă, deoarece funcționarea cu ușa deschisă poate duce la expunerea dăunătoare la energia emisă de microunde. Este important să nu eliminați sau să modificați dispozitivele de blocare.
2. Nu așezați niciun obiect între partea frontală a cuptorului și ușa și nu lăsați murdăria sau reziduurile de curățare să se acumuleze pe suprafețele de etanșare.
3. Nu utilizați cuptorul dacă este deteriorat. Este foarte important ca ușa cuptorului să se închidă corect și să nu fie deteriorată
  - a. Ușa (îndoită),
  - b. Balamale și încuietori (rupte sau slăbite),
  - c. Garnituri uși și suprafețe de etanșare.
4. Este interzisă reglarea sau repararea cuptorului de către oricine altcineva în afară de personalul calificat pentru lucrări de service.

# INSTRUCȚIUNI IMPORTANTE DE SIGURANȚĂ

Când utilizați un aparat electric, trebuie respectate măsurile de siguranță de bază, inclusiv următoarele:

**AVERTIZARE!--** Pentru a reduce riscul producerii arsurilor, electrocutarea, incendiu, vătămarea persoanelor sau expunerea la energie excesivă emisă de microunde:

1. Utilizați acest aparat numai în scopul prevăzut, așa cum este descris în acest manual. Nu utilizați substanțe chimice corozive sau vapori în interiorul acestui aparat. Acest tip de cuptor este special conceput pentru a încălzi, găti sau usca alimente. Nu este conceput pentru uz industrial sau de laborator.
2. Nu utilizați cuptorul când este gol.
3. Nu utilizați acest aparat dacă are cablul sau ștecherul deteriorat, dacă nu funcționează corect sau dacă a fost deteriorat sau scăpat pe jos. În cazul în care cablul de alimentare este deteriorat, acesta trebuie înlocuit de către producător, agentul său de service sau persoane cu calificări similare pentru a evita orice pericol.
4. **AVERTIZARE!** --Permiteți-le copiilor să folosească cuptorul fără supraveghere numai atunci când au fost date instrucțiuni adecvate, astfel încât copilul să poată utiliza cuptorul în condiții de siguranță și să înțeleagă pericolele unei utilizări necorespunzătoare.
5. Pentru a reduce riscul de incendiu în cavitatea cuptorului:
  - Când încălziți alimente în recipient de plastic sau hârtie, supravegheați cuptorul întrucât există posibilitatea aprinderii.
  - Scoateți clemele din sârmă cu care se leagă pungile de hârtie sau de plastic înainte de a introduce punga în cuptor.
  - Dacă se observă fum, opriți sau deconectați aparatul și țineți ușa închisă pentru a înăbuși orice flăcări.
  - Nu folosiți cavitatea în scopuri de depozitare. Nu lăsați produse din hârtie, ustensile de gătit sau alimente în cavitate atunci când nu utilizați cuptorul.
  - Cuptorul cu microunde este destinat încălzirii alimentelor și băuturilor. Uscarea alimentelor sau a îmbrăcămintei și încălzirea compreselor termice, papucilor, bureților, cârpei umede și a altor obiecte asemănătoare pot duce la risc de rănire, aprindere sau incendiu.
6. **AVERTIZARE!** --Lichidele sau alte alimente nu trebuie încălzite în recipiente sigilate deoarece pot exploda.
7. Încălzirea băuturii la cuptorul cu microunde poate duce la fierbere întârziată în clocote, de aceea trebuie avut grijă când manipulați recipientul.



8. Nu prăjiți alimente în cuptor. Uleiul fierbinte poate deteriora piesele și ustensilele cuptorului și poate duce chiar la arsuri pe piele.
9. Ouăle în coajă și ouăle întregi fierte tare nu trebuie încălzite în cuptoarele cu microunde, deoarece pot exploda chiar și după ce încălzirea la cuptorul cu microunde s-a încheiat.
10. Perforați alimentele cu coajă densă, cum ar fi cartofi, dovlecei întregi, mere și castane înainte de a le găti.
11. Conținutul biberoanelor și borcanelor cu mâncare pentru copii trebuie amestecat sau agitat, iar temperatura trebuie verificată înainte de servire pentru a evita arsurile.
12. Ustensilele de gătit pot deveni fierbinți din cauza căldurii transferate de la alimentele încălzite. Pot fi necesare suporturi pentru a manipula ustensilele.
13. Verificați ustensilele pentru a vă asigura că sunt adecvate pentru utilizare în cuptorul cu microunde.
14. **AVERTIZARE!** Este periculos ca orice altă persoană în afară de o persoană instruită, să efectueze orice operațiune de service sau reparație care implică îndepărtarea oricărui capac care oferă protecție împotriva expunerii la energia emisă de microunde.
15. Acest produs este un echipament ISM Grupa 2 Clasa B. Grupul 2 conține toate echipamentele ISM (Industriale, Științifice și Medicale) în care energia de radiofrecvență este generată și/sau utilizată în mod intenționat sub formă de radiații electromagnetice pentru tratarea materialelor și echipamente de eroziune prin scânteie. Echipamentele de clasa B sunt echipamente adecvate pentru utilizare în locuințe și în incinte conectate direct la o rețea de alimentare cu energie de joasă tensiune care alimentează clădirile utilizate în scop domestic.
16. Aparatul nu este destinat utilizării de către persoane (inclusiv copii) cu abilități fizice, senzoriale sau mentale reduse sau lipsite de experiență și cunoștințe, cu excepția cazului în care sunt supravegheate, sau au fost instruite cu privire la utilizarea în siguranță a aparatului, de către o persoană responsabilă cu siguranța lor.
17. Copiii trebuie supravegheați pentru a vă asigura că nu se joacă cu aparatul.
18. Cuptorul cu microunde este utilizat numai autonom.
19. **AVERTIZARE!**--Nu instalați cuptorul peste o plită de gătit sau peste un alt aparat care produce căldură; nerespectarea acestei instrucțiuni poate duce la deteriorarea aparatului și pierderea garanției.
20. Cuptorul cu microunde nu trebuie așezat într-un dulap.
21. **AVERTIZARE!**--Aparatul și piesele sale accesibile se încing în timpul utilizării.
22. **AVERTIZARE!**--Părțile accesibile se pot încinge în timpul utilizării. Copiii mici trebuie ținuți la distanță.
23. Aparatul se încinge în timpul utilizării. Trebuie avut grijă să evitați atingerea elementelor de încălzire din interiorul cuptorului, plitelor de gătit și cuptoarelor.

24. Suprafețele accesibile pot ajunge la o temperatură ridicată atunci când aparatul funcționează.
25. Aparatul trebuie așezat pe un perete.
26. Aparatul nu este destinat utilizării de către copii sau persoane cu capacități fizice, senzoriale sau mentale reduse sau lipsă de experiență și cunoștințe, cu excepția cazului în care sunt supravegheate sau au fost instruite.
27. **AVERTIZARE!**--Dacă ușa sau garniturile ușii sunt deteriorate, cuptorul nu trebuie să fie pus în funcțiune până când nu a fost reparat de o persoană calificată.
28. Aparatele nu sunt destinate operării cu ajutorul unui cronometru extern sau un sistem separat de telecomandă.
29. Cuptorul cu microunde este doar pentru uz casnic și nu pentru uz comercial.
30. Nu scoateți niciodată suportul de separare din spate sau din lateral, deoarece asigură o distanță minimă față de perete pentru circulația aerului.
31. Fixați bine placa rotativă înainte de a muta aparatul pentru a evita deteriorarea sa.
32. **ATENȚIE!**--Este periculos ca o altă persoană în afara unui specialist să repare sau să efectueze lucrări de întreținere asupra aparatului deoarece în aceste situații trebuie îndepărtat capacul care asigură protecție împotriva radiațiilor emise de microunde. Acest lucru este valabil și pentru schimbarea cablului de alimentare sau a becului. În aceste cazuri, trimiteți aparatul la centrul nostru de service.
33. Cuptorul cu microunde este destinat numai pentru dezghețarea, gătitarea și prepararea la abur a alimentelor.
34. Folosiți mănuși dacă îndepărtați orice aliment încălzit.
35. Atenție! La deschiderea capacelor sau a foliei de împachetat se va degaja abur.
36. Acest aparat poate fi utilizat de către copiii cu vârste de minim 8 ani și de către persoanele cu abilități fizice, senzoriale sau mentale reduse sau cu lipsă de experiență sau cunoștințe, cu condiția să fie supravegheate sau instruite corespunzător privind modul de utilizare a acestui aparat în siguranță și să înțeleagă pericolele implicate. Nu lăsați copiii să se joace cu aparatul. Curățarea și întreținerea de către utilizator nu vor fi efectuate de copii decât dacă aceștia au vârsta de peste 8 ani și sunt supravegheți.
37. Dacă se degajă fum, opriți sau deconectați aparatul și țineți ușa închisă pentru a înăbuși orice flăcări.

## GHID DE INSTALARE

1. Asigurați-vă că toate ambalajele sunt îndepărtate din interiorul ușii.
2. **AVERTIZARE:** Verificați cuptorul pentru orice deteriorări, cum ar fi ușa strâmbă sau îndoită, garniturile ușii și suprafața de etanșare deteriorate, balamalele și zăvoarele

ușii rupte sau slăbite și deformări în interiorul cavității sau pe ușă. Dacă există vreo deteriorare, nu utilizați cuptorul și contactați personalul de service calificat.

3. Acest cuptor cu microunde trebuie așezat pe o suprafață plană și stabilă pentru a-și menține greutatea și alimentele cele mai grele care pot fi gătite în cuptor.
4. Nu așezați cuptorul în locuri unde se generează căldură, umezeală sau umiditate ridicată sau lângă materiale combustibile.
5. Pentru o funcționare corectă, cuptorul trebuie să aibă un flux de aer suficient. Lăsați un spațiu de 20 cm deasupra cuptorului, 10 cm în spatele său și 5 cm în lateral. Nu acoperiți și nu blocați orificiile de pe aparat. Nu îndepărtați picioarele.
6. Nu utilizați cuptorul fără tava din sticlă, suportul rolei și arborele în pozițiile corespunzătoare.
7. Asigurați-vă că nu există deteriorări ale cablului de alimentare și că acesta nu trece pe sub cuptor sau pe deasupra oricărei suprafețe fierbinte sau ascuțite.
8. Priza trebuie să fie ușor accesibilă, astfel încât să poată fi deconectată cu ușurință în caz de urgență.
9. Nu folosiți cuptorul în aer liber.

## INTERFERENȚE RADIO

Funcționarea cuptorului cu microunde poate cauza interferențe radioului, televizorului sau echipamentelor similare. Când există interferențe, acestea pot fi reduse sau eliminate luând următoarele măsuri:

1. Curățați ușa și suprafața de etanșare a cuptorului.
2. Reorientați antena de recepție a radioului sau a televiziunii.
3. Mutați cuptorul cu microunde în raport cu receptorul.
4. Îndepărtați cuptorul cu microunde de receptor.
5. Conectați cuptorul cu microunde la o altă priză, astfel încât cuptorul cu microunde și receptorul să fie pe circuite diferite.

## PRINCIPII DE GĂTIRE LA MICROUND

1. Aranjați mâncarea cu grijă. Așezați zonele cele mai groase spre exteriorul vasului.
2. Urmăriți timpul de gătit. Gătiți pe perioada cea mai scurtă de timp indicată și suplimentați dacă este necesar. Alimentele prea gătite pot provoca fum sau se pot aprinde.
3. Acoperiți alimentele în timp ce gătiți. Capacele previn stropirea și ajută alimentele să se gătească uniform.

4. Întoarceți alimentele o dată în timpul gătirii la microunde pentru a accelera gătirea unor alimente precum puiul și hamburgerii. Articolele mari, cum ar fi fripturile, trebuie întoarse cel puțin o dată.
5. Rearanjați alimente, cum ar fi chiftelele la jumătatea gătitului, atât de sus în jos, cât și din centrul vasului spre exterior.

## INSTRUCȚIUNI DE ÎMPĂMÂNTARE

Acest aparat trebuie să fie împământat. Acest cuptor este echipat cu un cablu care are un fir de împământare cu un ștecher de împământare. Trebuie să fie conectat la o priză de perete care este instalată și împământată corespunzător. În cazul unui scurtcircuit electric, împământarea reduce riscul de electrocutare prin furnizarea unui fir de descărcare a curentului electric. Este recomandat să fie prevăzut cu un circuit separat care să conecteze doar cuptorul. Utilizarea unei tensiuni înalte este periculoasă și poate duce la un incendiu sau alt accident care poate cauza deteriorarea cuptorului.

**AVERTISMENT** Utilizarea necorespunzătoare a ștecherului de împământare poate duce la un risc de electrocutare.

### Notă:

1. Dacă aveți întrebări cu privire la împământare sau la instrucțiunile electrice, consultați un electrician calificat sau o persoană de service.
2. Nici producătorul, nici distribuitorul nu își pot asuma nicio răspundere pentru deteriorarea cuptorului sau vătămrile corporale rezultate din nerespectarea procedurilor pentru conexiunea electrică.

Firele din acest cablu principal au următoarele culori, în conformitate cu următorul cod:

**Verde și galben = ÎMPĂMÂNTARE**

**Albastru = NEUTRU**

**Maro = CURENT**

## ÎNAINTE DE A SUNA PENTRU SERVICE

Dacă cuptorul nu funcționează:

1. Asigurați-vă de conectarea corespunzătoare a cuptorului. Dacă nu este bine conectat, scoateți ștecherul din priză, așteptați 10 secunde și conectați-l corespunzător din nou.

2. Verificați dacă s-a ars o siguranță sau s-a declanșat un întrerupător principal. Dacă acestea par să funcționeze corect, testați priza cu un alt aparat.
3. Verificați pentru a vă asigura că panoul de control este programat corect și cronometrul este setat.
4. Verificați pentru a vă asigura că ușa este bine închisă, cuplând sistemul de blocare a ușii. În caz contrar, energia cuptorului cu microunde nu va fi emisă în cuptor.

**DACĂ NICIUNA DIN INSTRUCȚIUNILE DE MAI SUS NU REMEDIAZĂ SITUAȚIA, CONTACTAȚI UN TEHNICIAN CALIFICAT. NU ÎNCERCAȚI SĂ REGLAȚI SAU REPARAȚI CUPTORUL PE CONT PROPRIU.**

## GHID DE USTENSILE

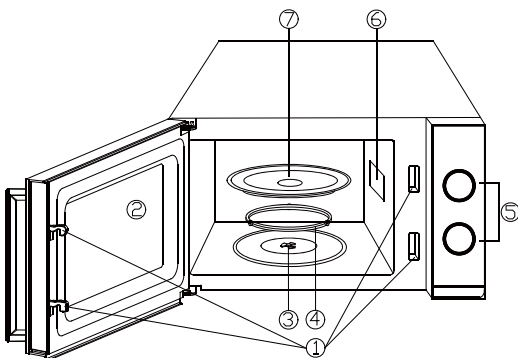
1. Microundele nu pot pătrunde în metal. Utilizați numai ustensile care sunt adecvate pentru utilizarea în cuptoarele cu microunde. Recipientele metalice pentru alimente și băuturi nu sunt permise în timpul gătirii la microunde. Această cerință nu se aplică dacă producătorul specifică dimensiunea și forma recipientelor metalice adecvate pentru gătitul cu microunde.
2. Microundele nu pot pătrunde în metal, așa că nu trebuie folosite ustensile metalice sau vase cu ornamente metalice.
3. Nu folosiți produse din hârtie reciclată când gătiți la microunde, deoarece acestea pot conține mici fragmente de metal care pot provoca scânteii și/sau incendii.
4. Sunt recomandate vase rotunde/ovale, mai degrabă decât cele pătrate/alungite, deoarece alimentele din colțuri tind să se gătească prea mult.
5. Se pot folosi benzi înguste de folie de aluminiu pentru a preveni gătirea excesivă a zonelor expuse. Dar aveți grijă să nu folosiți benzi prea late și păstrați o distanță de 1 inch (2,54 cm) între folie și cavitate.

Lista de mai jos este un ghid general pentru a vă ajuta să selectați ustensilele corecte.

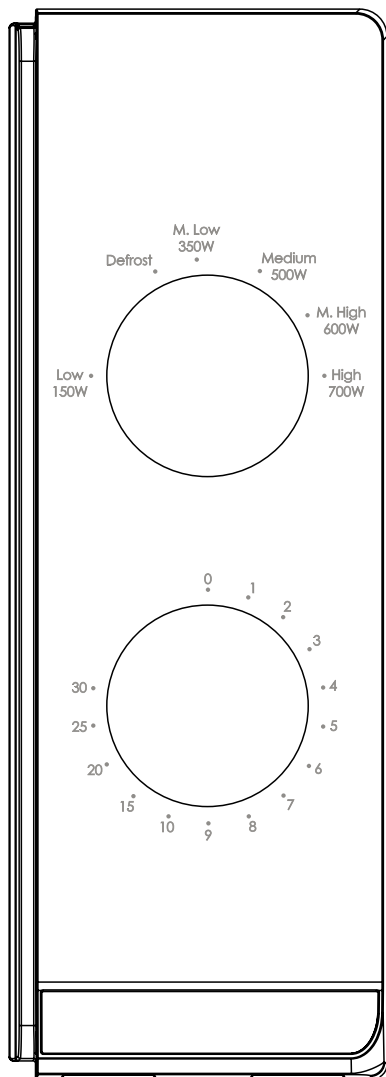
VASE DE GĂTIT	CUPTOR CU MICROUND
Sticlă termorezistentă	Da
Sticlă nerezistentă la căldură	Nu
Ceramică termorezistentă	Da
Vase din plastic pentru cuptorul cu microunde	Da
Prosoape din hârtie pentru bucătărie	Da
Tavă metalică	Nu
Raft metalic	Nu
Folie de aluminiu și caserole din folie de aluminiu	Nu

# NUMELE PIESELOR

1. Sistem de blocare de siguranță a ușii
2. Fereastra cuptorului
3. Ax
4. Inel rotire
5. Panou de comenzi
6. Ghid de unde  
(Nu îndepărtați placa de mică care acoperă ghidajul de unde)
7. Tavă din sticlă



# PANOU DE CONTROL



Panoul de control este format din două butoane de funcții. Unul dintre ele este un buton pentru setarea timpului, iar celălalt este un buton pentru setarea puterii.

## **SELECTOR DE PUTERE/ACTIUNE**

Utilizați acest buton pentru a alege un nivel de putere de gătit. Este primul pas pentru a începe sesiunea de gătit.

## **BUTONUL PENTRU CRONOMETRU**

Oferă setări vizuale de sincronizare prin rotirea sa cu degetul mare pentru a selecta timpul de gătit dorit de până la 30 de minute per sesiune de gătit.

## **GĂTIREA LA MICROUND**

Pentru gătitul pur cu microunde, există șase niveluri de putere din care să alegeți unul care se potrivește cel mai bine pentru nevoile dvs. Nivelul de putere crește odată cu rotirea butonului în sensul acelor de ceasornic. Nivelurile de putere pot fi clasificate astfel:

	Putere de ieșire	Descriere
1	700W	RIDICAT
2	600W	MEDIU-ÎNALT
3	500W	MEDIU
4	350W	M.SCĂZUT
5		DECONGELARE
6	150W	SCĂZUT

# Operațiune

Pentru a începe o sesiune de gătit,

1. Puneți alimentele în cuptor și închideți ușa.
2. Rotiți selectorul de putere pentru a selecta un nivel de putere.
3. Rotiți butonul pentru cronometru pentru a seta un timp de gătit

## NOTĂ:

Imediat ce cronometrul este pornit, cuptorul începe să gătească.

Când selectați un timp de mai puțin de 2 minute, rotiți cronometrul depășind cele 2 minute și apoi reveniți la ora corectă.

**ATENȚIE:** ADUCEȚI ÎNTOTDEAUNA CRONOMETRUL ÎNAPOI LA POZIȚIA ZERO dacă alimentele sunt scoase din cuptor înainte ca timpul de gătit setat să se încheie sau când cuptorul nu este în funcțiune. Pentru a opri cuptorul în timpul procesului de gătit, apăsați butonul de eliberare a ușii sau deschideți ușa de mâner.

# Curățarea și Îngrijirea

1. Opriti cuptorul și scoateți ștecherul de la priza de perete înainte de a-l curăța.
2. Păstrați interiorul cuptorului curat. Când stropii de alimente sau lichidele vărsate se lipesc de pereții cuptorului, ștergeți cu o cârpă umedă. Dacă cuptorul se murdărește foarte mult, se poate folosi un detergent blând. Evitați utilizarea spray-urilor și a altor produse de curățare agresive, deoarece acestea pot păta, strică sau mat suprafața ușii.
3. Suprafețele exterioare trebuie curățate cu o cârpă umedă. Pentru a preveni deteriorarea pieselor funcționale din interiorul cuptorului, apa nu trebuie lăsată să pătrundă în orificiile de ventilație.
4. Ștergeți frecvent ușa și fereastra pe ambele părți, garniturile ușii și piesele adiacente cu o cârpă umedă pentru a îndepărta eventualele scurgeri sau stropi. Nu utilizați un produs de curățare abraziv.
5. Nu trebuie utilizat un dispozitiv de curățat cu aburi.
6. Nu lăsați panoul de control să se ude. Curățați cu o cârpă moale și umedă. Când curățați panoul de control, lăsați ușa cuptorului deschisă pentru a preveni pornirea accidentală a cuptorului.
7. Dacă se acumulează abur în interiorul sau în jurul exteriorului ușii cuptorului, ștergeți cu o cârpă moale. Acest lucru se poate întâmpla atunci când cuptorul cu microunde funcționează în condiții de umiditate ridicată. Și este normal.
8. Ocazional, este necesar să scoateți tava din sticlă pentru a o curăța. Spălați tava în apă caldă cu spumă sau în mașina de spălat vase.



9. Inelul de rotire și partea inferioară a cuptorului trebuie curățate în mod regulat pentru a evita zgomotul excesiv. Pur și simplu ștergeți suprafața inferioară a cuptorului cu detergent blând. Inelul de rotire poate fi spălat în apă cu spumă sau în mașina de spălat vase. Când scoateți inelul de rotire de pe suprafața cavității pentru curățare, asigurați-vă că îl puneți la loc în poziția corectă.
10. Îndepărtați mirosurile din cuptor amestecând, într-un castron adânc, care se poate folosi la microunde, o cană de apă cu zeama și coaja unei lămâi și puneți cuptorul să funcționeze cu microunde timp de 5 minute. Ștergeți bine și uscați cu o cârpă moale.
11. Când devine necesară înlocuirea becului cuptorului, apelați la un distribuitor pentru a îl înlocui.
12. Cuptorul trebuie curățat în mod regulat și orice depuneri de alimente trebuie îndepărtate. Nemenținerea cuptorului într-o stare curată poate duce la deteriorarea suprafeței care ar putea afecta negativ durata de viață a aparatului și ar putea duce la un pericol.
13. Nu aruncați acest aparat în coșul de gunoi menajer; ar trebui să fie aruncat la centrul special de eliminare furnizat de municipalități.

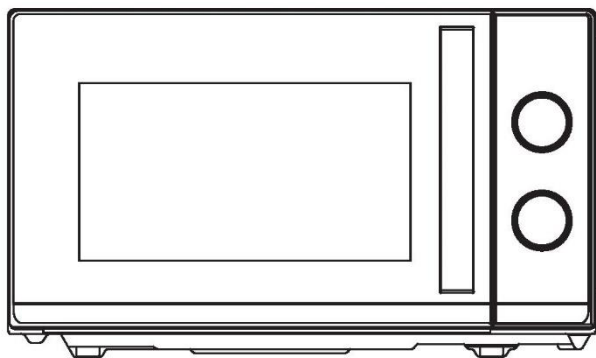


Acest aparat este etichetat în conformitate cu Directiva Europeană 2012/19/UE privind Reglementările privind deșeurile de echipamente electrice și electronice 2013 privind aparatele electrice și electronice (DEEE). DEEE conține substanțele poluante (care pot avea un efect negativ asupra mediului) și elementele de bază (care pot fi reutilizate). Este important ca DEEE să fie supuse tratamentelor specifice pentru a îndepărta și elimina corect substanțele poluante și a recupera toate materialele. Persoanele pot juca un rol important în a asigura că DEEE nu devin o problemă de mediu: este vital să urmați câteva dintre regulile de bază:

- DEEE nu trebuie tratate drept reziduu domestic;
- DEEE trebuie duse în zone de colectare dedicate, gestionate de primărie sau de o companie autorizată.

În multe țări, colectările domestice pot fi disponibile pentru DEEE de dimensiuni mari. atunci când cumpărați un aparat nou, cel vechi poate fi returnat la distribuitorul care trebuie să îl accepte gratuit câte unul, atât timp cât aparatul este de tip echivalent și are aceleași funcții ca și aparatul achiziționat.

# Instrukcja obsługi kuchenki mikrofalowej



Model: CMW20TNMB

Prosimy o dokładne zapoznanie się z niniejszą instrukcją  
przed instalacją i obsługą kuchenki.

<b>Haier Europe</b> <small>Consul</small>  <b>Haier</b>	<b>PT</b> ☐ 707 200 188 210 010 773	<b>IT</b> ☐ 02 400 48 200	<b>ES</b> ☐ 902 100 150 943 914 150	<b>DE</b> ☐ 0800 500 48 48
<b>BE</b> <b>LU</b> ☐ 02 752 94 10	<b>NL</b> ☐ 33 422 4000	<b>AT</b> ☐ 0820 220 224	<b>GR</b> ☐ 801 11 50 50 50	<b>CH</b> ☐ 0848 780 780

700179-48

# SPIS TREŚCI

SPECYFIKACJA .....	2
ŚRODKI OSTROŻNOŚCI ZAPOBIEGAJĄCE NARAŻENIU NA NADMIERNE PROMIENIOWANIE ENERGII MIKROFALOWEJ .....	2
WAŻNE INSTRUKCJE BEZPIECZEŃSTWA .....	3
PRZEWODNIK INSTALACJI.....	6
ZAKŁÓCENIA RADIOWE .....	7
ZASADY GOTOWANIA W KUCHENKACH MIKROFALOWYCH .....	7
INSTRUKCJE DOTYCZĄCE UZIEMIENIA .....	7
PRZED WEZWANIEM SERWISU .....	8
PRZEWODNIK NARZĘDZI.....	9
NAZWY CZĘŚCI .....	10
PANEL STEROWANIA.....	11
Przełącznik zasilania/działania .....	11
Pokrętło minutnika.....	11
Gotowanie mikrofalowe.....	11
OBSŁUGA .....	12
CZYSZCZENIE I PIEŁĘGNACJA .....	12

# SPECYFIKACJA

Pobór energii:	230-240 V / 50 Hz, 1200 W (mikrofalówka)
Znamionowa moc wyjściowa mikrofal:	700 W
Częstotliwość robocza:	2450MHz
Wymiary zewnętrzne:	262 mm (wys.) x 452 mm (szer.) x 346 mm (gł.)
Wymiary komory kuchenki:	198mm (wys.) x 315mm (szer.) x 297mm (gł.)
Pojemność piekarnika:	Kompakt 20 litrów
Waga netto:	Okolo 10,8 kg

## **ŚRODKI OSTROŻNOŚCI ZAPOBIEGAJĄCE NARAŻENIU NA NADMIERNE PROMIENIOWANIE ENERGII MIKROFALOWEJ**

1. Nie wolno obsługiwać kuchenki przy otwartych drzwiczkach, aby nie narażać się na szkodliwe napromieniowanie energią mikrofalową. Ważne jest, aby nie naruszyć blokad bezpieczeństwa ani nie manipulować nimi.
2. Nie umieszczać żadnych przedmiotów pomiędzy przednią ścianką a drzwiczkami, ani nie dopuszczać do gromadzenia się brudu lub pozostałości środków czyszczących na powierzchni uszczelek.
3. Jeśli urządzenie jest uszkodzone, nie wolno go podłączać. Szczególnie ważne jest, aby drzwiczki kuchenki zamykały się prawidłowo i aby nie doszło do uszkodzenia, takich elementów jak
  - a. Drzwi (wygięte),
  - b. Zawiasy i zatrzaski (złamanie lub poluzowanie),
  - c. Uszczelki drzwiczek i powierzchnie uszczelniające.
4. Kuchenka nie powinna być regulowana ani naprawiana przez nikogo poza odpowiednio wykwalifikowanym personelem serwisowym.

# WAŻNE INSTRUKCJE BEZPIECZEŃSTWA

Podczas korzystania z urządzenia elektrycznego należy przestrzegać podstawowych zasad bezpieczeństwa, w tym:

**OSTRZEŻENIE!** -- Aby zmniejszyć ryzyko oparzeń, porażenia prądem, pożaru, obrażeń osób lub narażenia na nadmierne działanie energii mikrofal:

1. Używaj tego urządzenia tylko zgodnie z jego przeznaczeniem, zgodnie z opisem w instrukcji. Nie używaj w tym urządzeniu żrących chemikaliów ani oparów. Ten rodzaj kuchenki jest specjalnie zaprojektowany do podgrzewania, gotowania lub suszenia żywności. Nie jest przeznaczony do użytku komercyjnego ani przemysłowego.
2. Nie używać kuchenki, gdy jest pusta.
3. Nie używać tego urządzenia, jeśli ma uszkodzony przewód lub wtyczkę, nie działa prawidłowo albo zostało uszkodzone lub upuszczone. Jeśli kabel zasilający ulegnie uszkodzeniu, dla bezpieczeństwa należy zlecić jego wymianę producentowi, autoryzowanemu serwisowi lub osobom o podobnych kwalifikacjach.
4. **OSTRZEŻENIE!** -- Zezwalaj dzieciom na korzystanie z kuchenki bez nadzoru wyłącznie po przekazaniu odpowiednich instrukcji umożliwiających im bezpieczne korzystanie z kuchenki i zrozumienie zagrożeń związanych z niewłaściwym użytkowaniem.
5. Aby zmniejszyć ryzyko pożaru w komorze kuchenki:
  - Podczas podgrzewania żywności w plastikowym lub papierowym pojemniku nie należy pozostawiać kuchenki bez nadzoru ze względu na możliwość zapłonu.
  - Zdjąć druciane elementy z papierowych lub plastikowych torebek przed ich włożeniem do kuchenki mikrofalowej.
  - W przypadku dostrzeżenia dymu należy wyłączyć lub odłączyć od zasilania urządzenie i pozostawić zamknięte drzwiczki, aby zdławić płomień.
  - Nie używać komory kuchenki do przechowywania. Nie zostawiać produktów papierowych, przyborów kuchennych ani żywności w komorze, gdy nie jest używana.
  - Kuchenka mikrofalowa przeznaczona jest do podgrzewania potraw i napojów. Suszenie żywności lub odzieży oraz podgrzewanie poduszek rozgrzewających, kapci, gąbek, wilgotnych ściereczek itp. może prowadzić do ryzyka obrażeń, zapłonu lub pożaru.

6. **OSTRZEŻENIE!** -- Nie wolno podgrzewać płynów ani innych produktów spożywczych w szczelnie zamkniętych pojemnikach, ponieważ mogą eksplodować.
7. Podgrzewanie mikrofalowe napojów może prowadzić do ich opóźnionego gwałtownego wrzenia, dlatego należy zachować ostrożność przy korzystaniu z pojemnika.
8. Nie smażyć żywności w kuchence. Gorący olej może uszkodzić części kuchenki i przybory kuchenne, a nawet spowodować oparzenia skóry.
9. W kuchenkach mikrofalowych nie należy podgrzewać jajek w skorupkach ani całych jajek ugotowanych na twardo, ponieważ mogą one eksplodować nawet po zakończeniu podgrzewania.
10. Przed gotowaniem nakłuć produkty z grubą skórką, takie jak ziemniaki, całe kabaczki, jabłka i kasztany.
11. Zawartość butelek i słoiczków z jedzeniem dla niemowląt należy wymieszać lub wstrząsnąć i sprawdzić temperaturę przed podaniem do spożycia, aby uniknąć poparzeń.
12. Przybory kuchenne mogą się nagrzewać z powodu ciepła przenoszonego z podgrzanej żywności. Do obsługi naczyń mogą być potrzebne uchwyty.
13. Należy sprawdzić, czy naczynia nadają się do użytku w kuchence mikrofalowej.
14. **OSTRZEŻENIE!** -- Wszelkie naprawy i konserwacje wymagające zdjęcia pokrywy chroniącej przed narażeniem na promieniowanie mikrofalowe powinna przeprowadzać wyłącznie przeszkolona osoba, aby nie stwarzać niebezpieczeństwa.
15. Ten produkt należy do urządzeń grupy 2 klasy B ISM. Definicja Grupy 2, która obejmuje cały sprzęt ISM (przemysłowy, naukowy i medyczny), w którym energia o częstotliwości radiowej jest celowo generowana i/lub wykorzystywana w postaci promieniowania elektromagnetycznego do obróbki materiału, oraz sprzęt do obróbki elektroiskrowej. Urządzenia klasy B to urządzenia nadające się do stosowania w placówkach domowych oraz w placówkach bezpośrednio podłączonych do niskonapięciowej sieci energetycznej, która zasila budynki wykorzystywane do celów domowych.
16. To urządzenie nie może być użytkowane przez osoby (w tym dzieci) o ograniczonej sprawności fizycznej, czuciowej lub umysłowej ani przez osoby bez odpowiedniego doświadczenia i wiedzy, chyba że będą one dozorowane lub zostaną odpowiednio poinstruowane.
17. Należy pilnować dzieci, aby nie bawiły się urządzeniem.
18. Kuchenka mikrofalowa jest używana tylko w wersji wolnostojącej.

19. **OSTRZEŻENIE!** -- Nie instaluj kuchenki nad płytą kuchenną lub innym urządzeniem wytwarzającym ciepło. W przeciwnym razie może dojść do uszkodzenia i wygaśnięcia gwarancji.
20. Kuchenki mikrofalowej nie należy umieszczać w szafce.
21. **OSTRZEŻENIE!** -- Podczas użytkowania urządzenie oraz jego dostępne części silnie się nagrzewają.
22. **OSTRZEŻENIE!** -- Dostępne elementy mogą się silnie nagrzewać podczas użytkowania. Małe dzieci nie powinny znajdować się w pobliżu urządzenia.
23. W trakcie użytkowania urządzenie silnie się nagrzewa. Należy uważać, aby nie dotykać elementów grzejnych w komorze kuchenki i piekarnika.
24. Temperatura dostępnych powierzchni może być wysoka podczas pracy urządzenia.
25. Urządzenie należy ustawić przy ścianie.
26. Urządzenie nie może być użytkowane przez dzieci ani osoby o ograniczonej sprawności fizycznej, czuciowej lub umysłowej ani przez osoby bez odpowiedniego doświadczenia i wiedzy, chyba że będą one nadzorowane lub zostaną odpowiednio poinstruowane.
27. **OSTRZEŻENIE!** -- W przypadku uszkodzenia drzwiczek lub uszczelki drzwiczek kuchenki nie wolno używać do czasu naprawy przez kompetentną osobę.
28. Urządzenia nie są przeznaczone do obsługi za pomocą zewnętrznego minutnika lub niezależnego systemu zdalnego sterowania.
29. Kuchenka mikrofalowa jest przeznaczona wyłącznie do użytku domowego, a nie komercyjnego.
30. Nigdy nie zdejmuj uchwytu dystansowego z tyłu lub po bokach, ponieważ zapewnia on minimalną odległość od ściany dla cyrkulacji powietrza.
31. Należy zabezpieczyć talerz obrotowy przed przeniesieniem urządzenia, aby uniknąć uszkodzeń.
32. **OSTRZEŻENIE!** -- Naprawy lub konserwacja urządzenia wykonywane przez osobę bez odpowiednich kwalifikacji są niebezpieczne, ponieważ w takich okolicznościach należy zdjąć pokrywę, która zapewnia ochronę przed promieniowaniem mikrofalowym. Dotyczy to również wymiany przewodu zasilającego lub oświetlenia. W takich przypadkach odeślij urządzenie do naszego centrum serwisowego.
33. Kuchenka mikrofalowa jest przeznaczona wyłącznie do rozmrażania, gotowania i gotowania na parze żywności.
34. Użyj rękawiczek przy wyjmowaniu podgrzanej żywności.
35. Ostrożnie! Podczas otwierania pokrywek lub zdejmowania folii ulatnia się para.



36. Urządzenie może być obsługiwane przez dzieci powyżej 8 roku życia i przez osoby o ograniczonych możliwościach fizycznych, sensorycznych lub umysłowych albo osoby nieposiadające doświadczenia ani wiedzy pod warunkiem, że są one pod odpowiednim nadzorem lub zostały poinstruowane, jak bezpiecznie obsługiwać urządzenie i rozumieją związane z nim zagrożenia. Dzieci nie mogą bawić się urządzeniem. Czyszczenie i konserwacja nie mogą być wykonywane przez dzieci, jeśli nie ukończyły 8 lat lub pozostają bez dozoru.
37. W przypadku wydobywania się dymu należy wyłączyć lub odłączyć od zasilania urządzenie i pozostawić zamknięte drzwiczki, aby zdławić płomień.

## PRZEWODNIK INSTALACJI

1. Upewnij się, że wszystkie materiały opakowaniowe zostały usunięte z wewnętrznej strony drzwiczek.
2. **OSTRZEŻENIE:** Sprawdzić kuchenkę pod kątem uszkodzeń, takich jak nierówne lub wygięte drzwi, uszkodzone uszczelki drzwiczek i powierzchnia uszczelniająca, złamane lub poluzowane zawiasy oraz zatrzaski i wgniecenia wewnątrz wnęki lub na drzwiczkach. W przypadku stwierdzenia jakichkolwiek uszkodzeń nie wolno używać kuchenki i należy skontaktować się z wykwalifikowanym personelem serwisowym.
3. Ta kuchenka mikrofalowa musi być ustawiona na płaskiej, stabilnej powierzchni, aby utrzymać jej ciężar własny i najwyższą wagę gotowanych produktów spożywczych.
4. Nie umieszczać kuchenki w miejscach, w których wytwarzane jest ciepło, wilgoć lub wysoka wilgotność, ani w pobliżu materiałów palnych.
5. Aby zapewnić prawidłowe działanie, kuchenka musi mieć wystarczający przepływ powietrza. Pozostawić 20 cm wolnej przestrzeni nad kuchenką, 10 cm z tyłu i 5 cm po obu stronach. Nie zakrywać ani nie blokować żadnych otworów w urządzeniu. Nie demontować nóżek.
6. Nie używać kuchenki bez szklanej tacki, wspornika rolki i wałka ustawionych we właściwych pozycjach.
7. Upewnić się, że przewód zasilający nie jest uszkodzony i nie jest ułożony pod kuchenką ani nad gorącą lub ostrą powierzchnią.
8. Gniazdko musi być łatwo dostępne, aby można je było łatwo odłączyć w sytuacji awaryjnej.
9. Nie używać kuchenki na zewnątrz.

# ZAKŁÓCENIA RADIOWE

Działanie kuchenki mikrofalowej może powodować zakłócenia w działaniu radia, telewizora lub podobnego sprzętu. W przypadku wystąpienia zakłóceń można je zmniejszyć lub wyeliminować, podejmując następujące działania:

1. Oczyszczyć drzwiczki i powierzchnię uszczelniającą kuchenki.
2. Zmienić kierunek ustawienia anteny odbiorczej radia lub telewizji.
3. Zmienić położenie kuchenki mikrofalowej w stosunku do odbiornika.
4. Odsunąć kuchenkę mikrofalową od odbiornika.
5. Podłączyć kuchenkę mikrofalową do innego gniazdka, aby kuchenka mikrofalowa i odbiornik znajdowały się w różnych obwodach odgałęzionych.

# ZASADY GOTOWANIA W KUCHENKACH MIKROFALOWYCH

1. Starannie ułóż jedzenie. Umieść najgrubsze warstwy na zewnątrz naczynia.
2. Pilnuj czasu gotowania. Gotuj przez najkrótszy wskazany czas i wydłuż go w razie potrzeby. Potrawy mocno rozgotowane mogą się przypalić lub zająć.
3. Przykryj żywność podczas gotowania. Pokrywki zapobiegają rozpryskiwaniu się i pomagają równomiernie gotować potrawy.
4. Podczas gotowania w mikrofalówce odwróć raz przyrządzane jedzenie, aby przyspieszyć gotowanie takich dań jak kurczak czy hamburgery. Duże potrawy, takie jak pieczeń, należy odwrócić co najmniej raz.
5. Przekładaj dania, takie jak klopsiki w połowie gotowania, zarówno od góry do dołu, jak i od środka naczynia na zewnątrz.

# INSTRUKCJE DOTYCZĄCE UZIEMIENIA

Urządzenie musi być uziemione. Kuchenka jest wyposażona w kabel z przewodem uziemiającym i wtyczką uziemiającą. Wtyczka musi być włożona do prawidłowo zainstalowanego i uziemionego gniazdka ściennego. W przypadku zwarcia

elektrycznego uziemienie zmniejsza ryzyko porażenia prądem elektrycznym za pomocą przewodu ucieczkowego dla prądu elektrycznego. Zaleca się zapewnienie oddzielnego obwodu obsługującego tylko kuchenkę. Używanie wysokiego napięcia jest niebezpieczne i może spowodować pożar lub inny wypadek powodujący uszkodzenie kuchenki.

**OSTRZEŻENIE!** Niewłaściwe użycie wtyczki uziemiającej może spowodować ryzyko porażenia prądem.

**Uwaga:**

1. Jeśli masz jakiegokolwiek pytania dotyczące uziemienia lub instrukcji elektrycznych, skonsultuj się z wykwalifikowanym elektrykiem lub serwisantem.
2. Producent ani sprzedawca nie ponoszą żadnej odpowiedzialności za uszkodzenie kuchenki lub obrażenia ciała wynikające z nieprzestrzegania procedur połączeń elektrycznych.

Przewody w tej magistrali kablowej są oznaczone kolorami zgodnie z następującym kodem:

**Żółto-zielony = OCHRONNY PE**

**Niebieski = NEUTRALNY N**

**Brązowy = FAZOWY L**

## **PRZED WEZWANIEM SERWISU**

Jeżeli piekarnik nie działa:

1. Sprawdź, czy kuchenka jest prawidłowo podłączona. Jeśli nie, wyjmij wtyczkę z gniazdka, odczekaj 10 sekund i ponownie bezpiecznie ją podłącz.
2. Sprawdź, czy nie doszło do przepalenia bezpiecznika obwodu lub wyzwolenia głównego wyłącznika obwodu. Jeśli wydaje się, że działają prawidłowo, przetestuj gniazdko za pomocą innego urządzenia.
3. Sprawdź, czy panel sterowania jest poprawnie zaprogramowany i czy jest ustawiony minutnik.
4. Sprawdź, czy drzwiczki są dobrze zamknięte, włączając system blokady drzwiczek. W przeciwnym razie energia mikrofalowa nie będzie przepływać do piekarnika.

JEŚLI ŻADNA Z POWYŻSZYCH CZYNNOŚCI NIE ROZWIĄŻE PROBLEMU, NALEŻY SKONTAKTOWAĆ SIĘ Z WYKWALIFIKOWANYM TECHNIKIEM. NIE PRÓBUJ REGULOWAĆ LUB NAPRAWIAĆ KUCHENKI SAMODZIELNIE.

# PRZEWODNIK NARZĘDZI

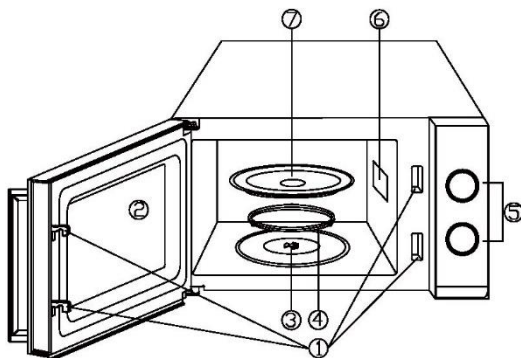
1. Mikrofałe nie przenikają przez metal. Używać wyłącznie przyborów odpowiednich do kuchenek mikrofalowych. Podczas gotowania w kuchenke mikrofalowej nie wolno używać metalowych pojemników na żywność i napoje. Wymóg ten nie ma zastosowania, jeśli producent określi rozmiar i kształt metalowych pojemników nadających się do gotowania w kuchenke mikrofalowej.
2. Mikrofałe nie przenikają przez metal, dlatego nie należy używać metalowych przyborów lub naczyń z metalowymi wykończeniami.
3. Podczas gotowania w kuchenke mikrofalowej nie używać produktów z papieru z recyklingu, ponieważ mogą one zawierać małe fragmenty metalu, które mogą powodować iskry i/lub pożary.
4. Zalecane są naczynia okrągłe/owalne, a nie kwadratowe/prostokątne, ponieważ jedzenie w rogach ma tendencję do przypalania się.
5. Można użyć wąskich pasek folii aluminiowej, aby zapobiec rozgotowaniu odsłoniętych obszarów. Należy uważać, aby nie używać zbyt dużo folii i zachować odległość 1 cala (2,54 cm) między folią a komorą kuchenki.

Poniższa lista jest ogólnym przewodnikiem, który pomoże Ci wybrać właściwe przybory kuchenne.

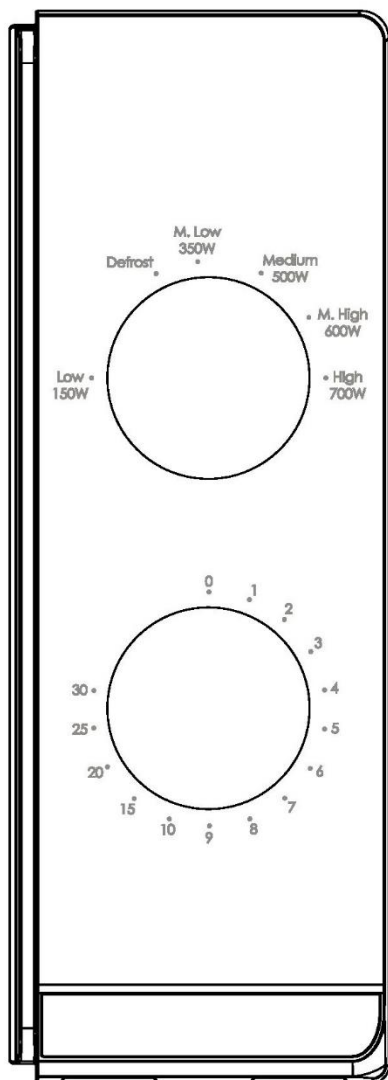
NACZYNIA	KUCHENKA MIKROFALOWA
Szkoło żaroodporne	Tak
Szkoło nieodporne na ciepło	Nie
Ceramika żaroodporna	Tak
Plastikowe naczynie nadające się do mikrofalówki	Tak
Papier do pieczenia	Tak
Metalowa taca	Nie
Metalowy stojak	Nie
Folia aluminiowa i pojemniki foliowe	Nie

# NAZWY CZĘŚCI

1. System blokowania drzwiczek
2. Okienko kuchenki
3. Wątek
4. Pierścień rolkowy
5. Panel sterowania
6. Prowadnica falowa
7. Szklana taca



# PANEL STEROWANIA



Panel sterowania składa się z dwóch operatorów funkcyjnych. Jednym z nich jest pokrętło minutnika, a drugim pokrętło zasilania.

## **PRZEŁĄCZNIK ZASILANIA/DZIAŁANIA**

Za pomocą tego pokrętła operatora można wybrać poziom mocy gotowania. To pierwszy krok do rozpoczęcia sesji gotowania.

## **POKRĘTŁO MINUTNIKA**

Umożliwia łatwe ustawienie czasu na wyświetlaczu jednym ruchem kciuka w celu wybrania wymaganego czasu gotowania do 30 minut na sesję gotowania.

## **GOTOWANIE MIKROFALOWE**

Do gotowania w mikrofalówce dostępnych jest sześć poziomów mocy, z których można wybrać ten, który najlepiej nadaje się do wykonania zadania.

Poziomy mocy wzrasta wraz z obracaniem pokrętła zgodnie z ruchem wskazówek zegara. Poziomy mocy można sklasyfikować w następujący sposób:

	Moc wyjściowa	Opis
1	700 W	WYSOKA
2	600W	ŚR. WYSOKI
3	500W	ŚREDNI
4	350 W	ŚR.NISKI
5		ROZMRAŻANIE
6	150 W	NISKA

# OBSŁUGA

Aby rozpocząć sesję gotowania,

1. Włóż żywność do kuchenki i zamknij drzwiczki.
2. Przekręć przełącznik mocy, aby wybrać poziom mocy.
3. Użyj pokrętki minutnika, aby ustawić czas gotowania

## **UWAGA:**

Po przekręceniu minutnika kuchenka zaczyna gotować.

Wybierając czas krótszy niż 2 minuty, należy przekręcić minutnik powyżej 2 minut, a następnie powrócić dożądanego ustawienia czasu.

**OSTROŻNIE:** ZAWSZE USTAWIAJ MINUTNIK Z POWROTEM DO POZYCJI ZERO, jeśli żywność zostanie wyjęta z kuchenki przed zakończeniem ustawionego czasu gotowania lub gdy kuchenka nie jest używana. Aby zatrzymać działanie kuchenki podczas gotowania, naciśnij przycisk otwierania drzwiczek lub otwórz drzwiczki za pomocą uchwytu.

# CZYSZCZENIE I PIELEGNACJA

1. Przed przystąpieniem do czyszczenia wyłącz kuchenkę i wyjmij wtyczkę z gniazdka.
2. Pozostaw wnętrze kuchenki w czystości. Jeśli rozpryski żywności lub rozlane płyny przyłgną do ścian kuchenki, przetrzyj je wilgotną szmatką. W przypadku silnego zabrudzenia kuchenki można użyć łagodnego detergentu. Unikaj używania spray'u i innych agresywnych środków czyszczących, ponieważ mogą one poplamić, zmatowić powierzchnię drzwiczek lub pozostawić na niej smugi.
3. Powierzchnie zewnętrzne należy czyścić wilgotną szmatką. Aby zapobiec uszkodzeniu części roboczych wewnątrz kuchenki, woda nie może dostać się do otworów wentylacyjnych.
4. Często wycieraj wilgotną szmatką drzwiczki i okienko po obu stronach, uszczelki drzwiczek i sąsiednie części, aby usunąć wszelkie rozlane płyny lub rozpryskane pozostałości żywności. Nie używać ściernych środków czyszczących.
5. Nie używać odkurzacza parowego.
6. Nie dopuścić do zamoczenia panelu sterowania. Czyścić miękką, wilgotną ściereczką. Podczas czyszczenia panelu sterowania pozostaw otwarte drzwiczki kuchenki, aby zapobiec przypadkowemu włączeniu urządzenia.

7. Jeśli wewnątrz lub na zewnątrz drzwiczek kuchenki gromadzi się para, wytrzyj ją miękką ściereczką. Może się to zdarzyć, gdy kuchenka mikrofalowa pracuje w warunkach wysokiej wilgotności. To zjawisko jest normalne.
8. Czasami konieczne jest wyjęcie szklanej tacy do czyszczenia. Umyj tacę w ciepłej wodzie z mydłem lub w zmywarce.
9. Pierścień wałka i spód kuchenki należy regularnie czyścić, aby uniknąć nadmiernego hałasu. Wystarczy przetrzeć dolną powierzchnię kuchenki łagodnym detergentem. Pierścień rolkowy można myć w łagodnej wodzie z mydłem lub w zmywarce. W przypadku wyjęcia pierścienia rolkowego z dna komory w celu wyczyszczenia, upewnij się, że został on umieszczony z powrotem we właściwej pozycji.
10. Usuń zapachy z kuchenki, wkładając do niej nadającą się do mikrofalówki głęboką miseczkę z roztworem szklanki wody z sokiem i skórką z jednej cytryny i podgrzewając przez 5 minut. Spłucz i wysusz miękką ściereczką.
11. W przypadku konieczności wymiany oświetlenia w kuchence należy skonsultować się ze sprzedawcą.
12. Kuchenkę należy regularnie czyścić i usuwać z niej resztki jedzenia. Zaniedbania w utrzymaniu kuchenki w czystości mogą prowadzić do uszkodzenia jej powierzchni, co może niekorzystnie wpłynąć na okres użytkowania urządzenia, a w rezultacie spowodować zagrożenie.
13. Nie wolno wyrzucać tego urządzenia do domowego kosza na śmieci. Należy je oddać do punktu utylizacji udostępnionego przez gminę.





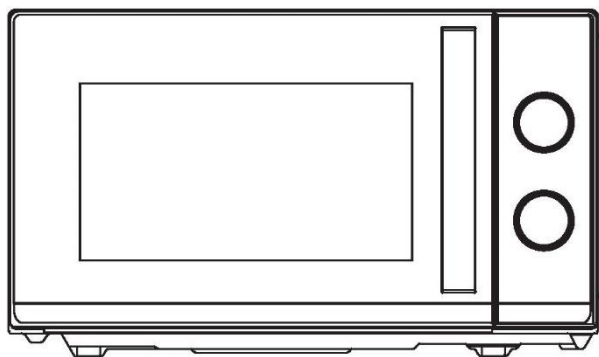
To urządzenie jest oznakowane zgodnie z Dyrektywą Europejską 2012/19/UE w sprawie przepisów dotyczących zużytego sprzętu elektrycznego i elektronicznego z 2013 r. dotyczących urządzeń elektrycznych i elektronicznych (WEEE). Zużyty sprzęt elektryczny i elektroniczny zawiera substancje zanieczyszczające (które mogą wywierać negatywny wpływ na środowisko) oraz elementy podstawowe (które nadają się do ponownego wykorzystania). Ważne jest właściwe przetwarzanie zużytego sprzętu elektrycznego i elektronicznego w celu prawidłowego usunięcia i utylizacji wszystkich substancji zanieczyszczających oraz odzyskania pozostałych materiałów. Każdy może odegrać ważną rolę w zadaniu o to, by zużyty sprzęt elektryczny i elektroniczny nie zagrażał środowisku. Zasadnicze znaczenie ma przestrzeganie kilku podstawowych zasad:

- Zużytego sprzętu elektrycznego i elektronicznego nie należy traktować jak odpadów z gospodarstwa domowego;
- Zużyty sprzęt elektryczny i elektroniczny powinien być odwożony do wyznaczonych punktów zbiórki odpadów zarządzanych przez radę miasta lub zarejestrowaną firmę.

W wielu krajach organizowane są lokalne zbiórki dużego zużytego sprzętu elektrycznego i elektronicznego. Po zakupie nowego urządzenia, stare można oddać dostawcy, który musi je bezpłatnie przyjąć w ramach wymiany, jeśli to urządzenie jest podobnego typu i ma takie same funkcje jak urządzenie zakupione.

# Микровълнова фурна

## Инструкции



Модел: CMW20TNMB

Моля, прочетете внимателно тези инструкции,  
преди да монтирате и използвате фурната.

**Haier Europe**

**BE LU**

02 752 94 10

**PT**

707 200 188  
210 010 773

**NL**

33 422 4000

**IT**

02 400 48 200

**AT**

0820 220 224

**ES**

902 100 150  
943 914 150

**GR**

801 11 50 50 50

**DE**

0800 500 48 48

**CH**

0848 780 780

70017948

# СЪДЪРЖАНИЕ

СПЕЦИФИКАЦИИ.....	2
ПРЕДПАЗНИ МЕРКИ ЗА ИЗБЯГВАНЕ НА ВЪЗМОЖНО ИЗЛАГАНЕ НА ПРЕКОМЕРНО ИЗЛЪЧВАНЕ НА МИКРОВЪЛНИ .....	2
ВАЖНИ ИНСТРУКЦИИ ЗА БЕЗОПАСНОСТ .....	3
РЪКОВОДСТВО ЗА МОНТИРАНЕ .....	5
РАДИОСМУЩЕНИЯ .....	6
ПРИНЦИПИ НА ГОТВЕНЕ В МИКРОВЪЛНОВА .....	6
ИНСТРУКЦИИ ЗА ЗАЗЕМЯВАНЕ .....	7
ПРЕДИ ДА СЕ ОБАДИТЕ ЗА СЕРВИЗ.....	7
РЪКОВОДСТВО ЗА ПРИБОРИ .....	8
ИМЕНА НА ЧАСТИ.....	9
КОНТРОЛЕН ПАНЕЛ.....	10
Селектор на мощност/действие.....	10
Копче за време .....	10
Готвене в микровълнова фурна.....	10
УПОТРЕБА.....	11
ПОЧИСТВАНЕ И ПОДДРЪЖКА .....	11

# СПЕЦИФИКАЦИИ

Консумация на енергия:	230-240V/50HZ, 1200W (микровълнова)
Номинална изходна микровълнова мощност:	700 W
Честота на работа:	2450 MHz
Външни размери:	262 мм (H)x452 мм (W)x346 мм (D)
Размери на камерата на фурната:	198 мм (H)x315мм (W)x297 мм(D)
Капацитет на фурната:	Компактна 20 литра
Нето тегло:	Приблизително 10,8 кг

## ПРЕДПАЗНИ МЕРКИ ЗА ИЗБЯГВАНЕ НА ВЪЗМОЖНО ИЗЛАГАНЕ НА ПРЕКОМЕРНО ИЗЛЪЧВАНЕ НА МИКРОВЪЛНИ

1. Не се опитвайте да използвате тази фурна с отворена врата, тъй като това може да доведе до вредно излагане на микровълнова енергия. Важно е да не се повреждат или преправят предпазните блокировки.
2. Не поставяйте никакви предмети между предната повърхност на фурната и вратата и не позволявайте да се натрупва замърсяване или остатъци от почистващ препарат върху уплътняващите повърхности.
3. Не използвайте фурната, ако е повредена. Особено важно е вратата на фурната да се затваря добре и да няма повреда по
  - a. вратата (огъната);
  - b. пантите и ключалките (счупени или разхлабени);
  - c. уплътненията на вратите и уплътнителните повърхности.
4. Фурната не трябва да се настройва или ремонтира от никого, освен от подходящо квалифициран сервизен персонал.

# ВАЖНИ ИНСТРУКЦИИ ЗА БЕЗОПАСНОСТ

При използване на електрически уред трябва да се спазват основните предпазни мерки, включително следното:

**ПРЕДУПРЕЖДЕНИЕ!**-- За да намалите риска от изгаряния, токов удар, пожар, нараняване на хора или излагане на прекомерна микровълнова енергия:

1. Използвайте този уред само по предназначение, както е описано в ръководството. Не използвайте корозивни химикали или пари в този уред. Този тип фурна е специално създадена за затопляне, готвене или сушене на храна. Не е предназначен за промишлена или лабораторна употреба.
2. Не използвайте фурната, когато е празна.
3. Не използвайте този уред, ако има повреден кабел или щепсел, ако не работи правилно или ако е бил повреден или изпуснат. Ако захранващият кабел е повреден, трябва да бъде заменен от производителя, неговия обслужващ представител или лице с подобна квалификация, за да се избегне евентуална опасност.
4. **ПРЕДУПРЕЖДЕНИЕ!**--Позволявайте на деца да използват фурната без надзор само когато са дадени подходящи инструкции, така че детето да може да използва фурната по безопасен начин и разбира опасностите от неправилна употреба.
5. За да намалите риска от пожар в камерата на фурната:
  - Когато топлите храна в пластмасови или хартиени съдове, следете фурната, тъй като има вероятност от запалване.
  - отстранете усуканите телени връзки от хартиените или найлоновите торби, преди да поставите торбата във фурната;
  - Ако започне да се отделя дим, изключете уреда от бутона или от контакта и дръжте вратата затворена, за да изгасите пламъците.
  - не използвайте камерата за съхранение на храна; Не оставяйте хартиени продукти, съдове за готвене или храна във камерата, когато не се използват.
  - Микровълновата фурна е предназначена за подгриване на храни и напитки. Сушенето на храна или облекло и нагриването на подгриващи подложки, чехли, гъби, влажни кърпи и други подобни може да доведе до риск от нараняване, запалване или пожар.
6. **ПРЕДУПРЕЖДЕНИЕ!**--Течности и други храни не трябва да се подгриват в запечатани съдове, тъй като те могат да експлодират.
7. Загриването на напитките в микровълнова може да доведе до забавено кипене, поради което трябва да се внимава при боравене със съда.
8. Не пържете храна във фурната. Горещото олио може да повреди частите и приборите на фурната и дори да доведе до изгаряния по кожата.
9. Яйца с черупка и цели твърдосварени яйца не трябва да се загреват в микровълнова фурна, тъй като могат да експлодират дори след като подгриването в микровълновата приключи.

10. Продупчвайте храни с твърда кора като картофи, цели тикви, ябълки и кестени преди готвене.
11. Съдържанието на бибероните и бурканите за бебешка храна трябва да се разбърква или разклаща и да се проверява температурата преди консумация, за да се избегнат изгаряния.
12. Съдовете за готвене могат да се нагорещат поради топлината, предавана от нагрятата храна. Може да са необходими ръкохватки, за да боравите със съда.
13. Съдовете трябва да се проверяват, за да се гарантира, че са подходящи за използване в микровълнова фурна.
14. **ПРЕДУПРЕЖДЕНИЕ!**--Опасно е за всяко необучено лице да извършва сервисна или ремонтна дейност, която включва сваляне на капак, който осигурява защита срещу излагане на микровълнова енергия.
15. Този продукт е ISM оборудване от група 2 клас В. Дефиницията на група 2, която включва цялото ISM (промишлено, научно и медицинско) оборудване, в което умишлено се генерира и/или използва радиочестотна енергия под формата на електромагнитно излъчване за обработка на материал, и оборудване за искрова ерозия. Оборудване от клас В е оборудване, подходящо за използване в домашни условия и в заведения, директно свързани към захранваща мрежа с ниско напрежение, която захранва сгради, използвани за битови цели.
16. Този уред не е предназначен за употреба от лица (включително деца) с намалени физически, сетивни или умствени способности или липса на опит и познания, освен ако не са под наблюдение или са били инструктирани относно използването на уреда от лице, отговорно за тяхната безопасност.
17. Децата трябва да бъдат под наблюдение, за да се гарантира, че не си играят с уреда.
18. Микровълновата фурна се използва само свободностояща.
19. **ПРЕДУПРЕЖДЕНИЕ!**-- Не монтирайте фурната над плот за готвене или друг загряващ уред. Ако се монтира така, може да се повреди и гаранцията няма да важи.
20. Микровълновата фурна не трябва да се поставя в шкаф.
21. **ПРЕДУПРЕЖДЕНИЕ!**-- По време на работа уредът и достъпните му части се нагорещават.
22. **ПРЕДУПРЕЖДЕНИЕ!**-- По време на употреба достъпните части може да се нагорещат. Малки деца трябва да се държат на разстояние.
23. По време на употреба уредите се нагорещават. Трябва да се внимава да се избегне докосването на нагревателните елементи във фурната, за готварски печки и фурни.
24. Температурата на достъпните повърхности може да е висока, докато уредът работи.
25. Уредът трябва да бъде поставен до стена.
26. Този уред не е предназначен за употреба от лица (включително деца) с намалени физически, сетивни или умствени способности или липса на опит и познания, освен ако те не са под наблюдение или не са били инструктирани.
27. **ПРЕДУПРЕЖДЕНИЕ!**--Ако вратата или уплътненията на вратата са повредени, фурната не трябва да работи, докато не бъде ремонтирана от компетентно лице.

28. Уредите не са предназначени да се управляват с външен таймер или отделна система за дистанционно управление.
29. Микровълновата фурна е само за домашна, а не за търговска употреба.
30. Никога не отстранявайте дистанционния държач отзад или отстрани, тъй като той осигурява минимално разстояние от стената за циркулация на въздуха.
31. Моля, закрепете въртящата се поставка, преди да преместите уреда, за да избегнете повреди.
32. **ВНИМАНИЕ!**-- Опасно е уредът да се ремонтира или поддържа от неспециалист, тъй като при тези обстоятелства капакът, който осигурява защита срещу микровълново излъчване, трябва да се свали Това се отнася и за смяната на хранящия кабел или осветлението. В тези случаи изпратете уреда в нашия сервизен център.
33. Микровълновата фурна е предназначена само за размразяване, готвене и задушаване на храна.
34. Използвайте ръкавици, ако изваждате загрята храна.
35. Внимание! При отваряне на капаци или опаковъчно фолио излиза пара.
36. Този уред може да се използва от деца на възраст над 8 години и от лица с ограничени физически, сетивни или умствени способности или с недостатъчен опит и познания, ако са под надзор, или ако предварително са получили указания относно безопасната употреба на уреда и разбират какви са потенциалните опасности. Децата не бива да използват уреда за игра. Почистването и потребителската поддръжка не трябва да се извършват от деца, освен ако не са на възраст над 8 години и са под наблюдение.
37. Ако започне да се отделя дим, изключете уреда от бутона или от контакта и дръжте вратата затворена, за да изгасите пламъците.

## РЪКОВОДСТВО ЗА МОНТИРАНЕ

1. Уверете се, че всички опаковъчни материали са отстранени от вътрешната страна на вратата.
2. **ПРЕДУПРЕЖДЕНИЕ:** Проверете фурната за каквито и да било повреди, като изкривена или огъната врата, повредени уплътнения на вратата и уплътнителна повърхност, счупени или разхлабени панти и ключалки и вдлъбнатини в камерата или на вратата. Ако има някаква повреда, не използвайте фурната и се свържете с квалифициран сервизен персонал.
3. Тази микровълнова фурна трябва да се постави върху равна, стабилна повърхност, която може да издържи теглото ѝ и най-тежката храна, която потенциално би била приготвяна във фурната.
4. Не поставяйте фурната на място, където се генерира топлина, влага или висока влажност, или в близост до запалими материали.
5. За да работи правилно, фурната трябва да разполага с достатъчен въздушен поток. Оставете 20 см пространство над фурната, 10 см отзад и 5 см от двете страни. Не покривайте и не блокирайте никакви отвори на уреда. Не отстранявайте краката.

6. Не използвайте фурната без стъклена тава, ролкова опора и вал в правилното им положение.
7. Уверете се, че захранващият кабел не е повреден и не минава под фурната или по горещата или остра повърхност.
8. Контактът трябва да е лесно достъпен, за да може лесно да се изключи при спешни случаи.
9. Не използвайте фурната на открито.

## РАДИОСМУЩЕНИЯ

Работата на микровълновата фурна може да причини смущения на вашето радио, телевизор или подобно оборудване. Когато има смущения, те могат да бъдат намалени или елиминирани чрез предприемане на следните мерки:

1. Почистете вратата и уплътнителната повърхност на фурната.
2. Пренасочете приемната антена на радиото или телевизията.
3. Преместете микровълновата фурна по отношение на приемника.
4. Преместете микровълновата фурна далеч от приемника.
5. Включете микровълновата фурна в различен контакт, така че микровълновата фурна и приемникът да са в различни разклонени вериги.

## ПРИНЦИПИ НА ГОТВЕНЕ В МИКРОВЪЛНОВА

1. Подредете храната внимателно. Поставете най-плътните части към външната страна на съда.
2. Проверявайте времето за готвене. Гответе за най-краткото посочено време и увеличете, ако е необходимо. Силно препечената храна може да пуши или да се запали.
3. Покривайте храните по време на готвене. Капаците предотвратяват пръскането и помагат на храните да се готвят равномерно.
4. Обръщайте храните веднъж по време на готвене в микровълнова фурна, за да ускорите сготвянето на храни като пиле и хамбургери. Големите продукти като печени меса трябва да се обърнат поне веднъж.
5. Пренаредете храни като кюфтета по средата на готвенето както отгоре надолу, така и от центъра на съда навън.



# ИНСТРУКЦИИ ЗА ЗАЗЕМЯВАНЕ

Този уред трябва да бъде заземен. Тази фурна е оборудвана с кабел със заземяващ проводник със заземяващ щепсел. Той трябва да бъде включен в стенен контакт, който е правилно инсталиран и заземен. В случай на електрическо късо съединение, заземяването намалява риска от токов удар, като осигурява проводник, който да изведе електрическия ток. Препоръчително е да се предвиди отделна верига, обслужваща само фурната. Използването на високо напрежение е опасно и може да доведе до пожар или друг инцидент, причиняващ повреда на фурната.

**ПРЕДУПРЕЖДЕНИЕ** Неправилна употреба на заземяващия щепсел може да доведе до риск от токов удар.

## **Забележка:**

1. Ако имате въпроси относно заземяването или електрическите инструкции, консултирайте се с квалифициран електротехник или сервизен специалист.
2. Нито производителят, нито търговецът могат да поемат каквато и да е отговорност за повреда на фурната или лично нараняване в резултат на неспазване на процедурите за електрическо свързване.

Проводниците в този кабел са оцветени в съответствие със следния код:

**Зелено и жълто = ЗЕМЯ**

**Синьо = НЕУТРАЛНО**

**Кафяво = ФАЗА**

# ПРЕДИ ДА СЕ ОБАДИТЕ ЗА СЕРВИЗ

Ако фурната не работи:

1. Проверете дали фурната е здраво включена в контакта. Ако не е, извадете щепсела от контакта, изчакайте 10 секунди и го включете отново здраво.
2. Проверете за изгорял предпазител или изключен главен прекъсвач. Ако изглежда, че работят правилно, проверете контакта с друг уред.
3. Проверете дали контролният панел е програмиран правилно и таймерът е настроен.
4. Проверете, за да се уверите, че вратата е добре затворена, като включите системата за безопасно заключване на вратата. В противен случай микровълновата енергия няма да потече във фурната.

**АКО НИКОЕ ОТ ГОРНИТЕ НЕ ПОДОБРЯВА СИТУАЦИЯТА, ТОГАВА СЕ СВЪРЖЕТЕ С КВАЛИФИЦИРАН ТЕХНИК. НЕ СЕ ОПИТВАЙТЕ ДА НАСТРОЙВАТЕ ИЛИ РЕМОНТИРАТЕ ФУРНАТА САМИ.**

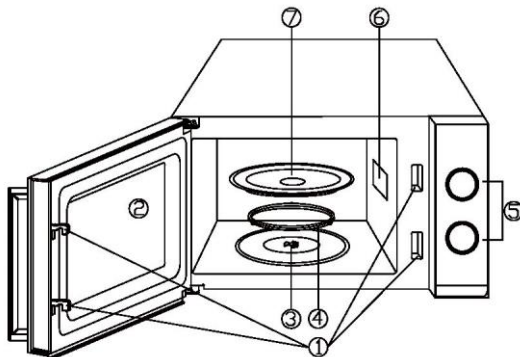
# РЪКОВОДСТВО ЗА ПРИБОРИ

1. Микровълната не може да проникне през метал. Използвайте само съдове, които са подходящи за използване в микровълнови фурни. При готвене в микровълнова фурна не се допускат метални съдове за храни и напитки. Това изискване не е приложимо, ако производителят посочи размер и форма на метални съдове, подходящи за готвене в микровълнова фурна.
  2. Микровълната не може да проникне през метала, така че не трябва да се използват метални съдове или чинии с метална облицовка.
  3. Не използвайте продукти от рециклирана хартия, когато готвите в микровълнова фурна, тъй като те могат да съдържат малки метални частици, които могат да причинят искри и/или пожари.
  4. Препоръчват се кръгли/овални съдове, а не квадратни/продълговати, тъй като храната в ъглите има тенденция да се прегаря.
  5. Могат да се използват тесни ивици алуминиево фолио, за да се предотврати препичането на откритите участъци. Но внимавайте, не използвайте твърде много и спазвайте разстояние от 1 инч (2,54 см) между фолиото и камерата.
- Списъкът по-долу е общо ръководство, което ще ви помогне да изберете правилните съдове.

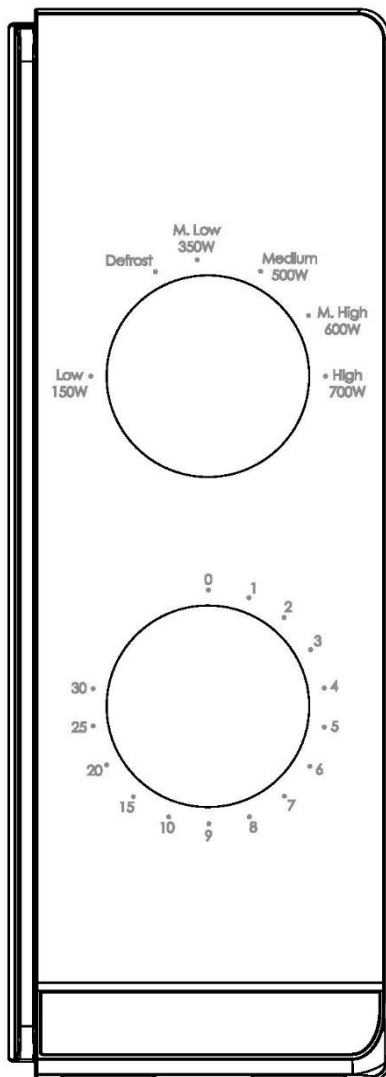
СЪДОВЕ ЗА ГОТВЕНЕ	МИКРОВЪЛНОВА ПЕЧКА
Термоустойчиво стъкло	Да
Нетермоустойчиво стъкло	Не
Термоустойчива керамика	Да
Пластмасов съд, подходящ за микровълнова фурна	Да
Кухненска хартия	Да
Метален поднос	Не
Метална решетка	Не
Алуминиево фолио и контейнери от фолио	Не

# ИМЕНА НА ЧАСТИ

1. Система за безопасно заключване на вратата
2. Прозорец на фурната
3. Вал
4. Ролков пръстен
5. Контролен панел
6. Вълновод
7. Стъклена поставка  
(Моля, не отстранявайте плочата, покриваща вълновода)



# КОНТРОЛЕН ПАНЕЛ



Контролният панел се състои от два функционални оператора. Едното е копче за таймер, а другото за захранване.

## **СЕЛЕКТОР НА МОЩНОСТ/ДЕЙСТВИЕ**

Използвайте това копче, за да изберете ниво на мощност на готвене. Това е първата стъпка за започване на готвене.

## **КОПЧЕ ЗА ВРЕМЕ**

Предлагай визуални настройки за време с лесно завъртане на палеца, за да изберете желано време за готвене до 30 минути на сесия за готвене.

## **ГОТВЕНЕ В МИКРОВЪЛНОВА ФУРНА**

За чисто микровълново готвене има шест нива на мощност, от които да изберете едно, което е най-подходящо за извършване на задачата.

Нивото на мощност се увеличава със завъртане на копчето по посока на часовниковата стрелка. Нивата на мощност могат да бъдат класифицирани както следва:

	Изходна мощност	Описание
1	700 W	ВИСОКА СТЕПЕН
2	600 W	СР. ВИСОКА
3	500 W	СРЕДНА
4	350 W	СР. НИСКО
5		РАЗМРАЗЯВАНЕ
6	150 W	НИСКА СТЕПЕН

# УПОТРЕБА

За да започнете готварска сесия,

1. Поставете храната във фурната и затворете вратата.
2. Завъртете селектора на мощността, за да изберете ниво на мощност.
3. Използвайте копчето за таймер, за да зададете време за готвене

## **ЗАБЕЛЕЖКА:**

Веднага щом таймерът се завърти, фурната започва да готви.

Когато изберете време за по-малко от 2 минути, завъртете таймера след 2 минути и след това се върнете към правилното време.

**ВНИМАНИЕ:** ВИНАГИ ВРЪЦАЙТЕ ТАЙМЕРА В НУЛЕВА ПОЗИЦИЯ, ако храната бъде извадена от фурната преди изтичане на зададеното време за готвене или когато фурната не се използва. За да спрете фурната по време на процеса на готвене, натиснете бутона за освобождаване на вратата или отворете вратата с дръжката.

# ПОЧИСТВАНЕ И ПОДДРЪЖКА

1. Изключете фурната и извадете щепсела от контакта преди почистване.
2. Поддържайте вътрешността на фурната чиста. Когато пръски от храна или разлята течност полепнат по стените на фурната, избършете с влажна кърпа. Може да се използва мек почистващ препарат, ако фурната се замърси много. Избягвайте използването на спрей и други агресивни почистващи препарати, тъй като те могат да оцветят, да оставят ивици и петна или да потъмнят повърхността на вратата.
3. Външните повърхности трябва да се почистват с влажна кърпа. За да предотвратите повреда на работещите части във фурната, не трябва да се допуска проникване на вода във вентилационните отвори.
4. Избърсвайте вратата и прозореца от двете страни, уплътненията на вратата и съседните части често с влажна кърпа, за да премахнете всякакви разливи или пръски. Не използвайте абразивен почистващ препарат.
5. Не трябва да използвате уреди за почистване с пара.
6. Не позволявайте контролният панел да се намокри. Почистете с мека, влажна кърпа. Когато почиствате контролния панел, оставете вратата на фурната отворена, за да предотвратите случайно включване на фурната.
7. Ако се вътре или около външната страна на вратата на фурната се натрупа пара, избършете с мека кърпа. Това може да се случи, когато микровълновата фурна работи при условия на висока влажност. И е нормално.
8. Понякога е необходимо да извадите стъклената тава за почистване. Измийте тавата в топла сапунена вода или в съдомиялна машина.
9. Ролковият пръстен и подът на фурната трябва да се почистват редовно, за да се избегне прекомерен шум. Просто избършете долната повърхност на фурната с мек почистващ препарат. Ролковият пръстен може да се мие в мека сапунена вода или в съдомиялна машина. Когато отстранявате ролковия пръстен от пода

на камерата за почистване, внимавайте да го поставите обратно в правилното положение.

10. Премахнете миризмите от вашата фурна, като смесите чаша вода със сока и кората на един лимон в дълбока купа за микровълнова фурна, и загрейте за 5 минути. Избършете старателно и подсушете с мека кърпа.
11. Когато стане необходимо да смените лампата на фурната, моля, консултирайте се с търговец да ви я смени.
12. Фурната трябва да се почиства редовно и да се отстраняват всички остатъци от храна. Непочистването на фурната може да доведе до влошаване на състоянието на повърхността ѝ, което може да повлияе неблагоприятно на живота на уреда и евентуално да доведе до опасна ситуация.
13. Моля, не изхвърляйте този уред в кофата за битови отпадъци; трябва да се изхвърли в съответния център за отпадъци, предоставен от общините.

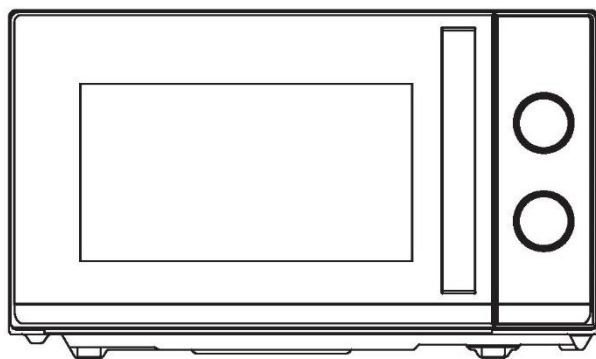


Този уред е етикетиран в съответствие с Европейската директива 2012/19/ЕС относно разпоредбите за отпадъци от електрическо и електронно оборудване от 2013 г. по отношение на електрически и електронни уреди (WEEE). ОЕЕО съдържат както замърсяващи вещества (които могат да окажат отрицателен ефект върху околната среда), така и основни елементи (които могат да се използват повторно). Важно е ОЕЕО да преминат специфична обработка за правилното отстраняване и изхвърляне на замърсителите и за възстановяване на всички материали. Отделните граждани могат да изиграят важна роля като гарантират, че ОЕЕО няма да се превърнат в проблем за околната среда; важно е да се следват някои основни правила:

- ОЕЕО не трябва да се третира като битови отпадъци;
- ОЕЕО трябва да се предадат в обекти за специализирано събиране, управлявани от общинските власти или регистрирано дружество.

В много страни може да се предлагат услуги за взимане от дома за големи ОЕЕО. Когато купувате нов уред, старият може да се върне на търговеца, който трябва да го приеме безплатно еднократно, стига уредът да е от еквивалентен тип и да има същите функции като закупения.

# Upute za mikrovalnu pećnicu



Model: CMW20TNMB

Pažljivo pročitajte ove upute prije ugradnje i uporabe pećnice.

<b>Haier Europe</b> Candy Haier	<b>PT</b> 707 200 188 210 010 773	<b>IT</b> 02 400 48 200	<b>ES</b> 902 100 150 943 914 150	<b>DE</b> 0800 500 48 48
<b>BE</b> <b>LU</b> 02 752 94 10	<b>NL</b> 33 422 4000	<b>AT</b> 0820 220 224	<b>GR</b> 801 11 50 50 50	<b>CH</b> 0848 780 780

70017948



# SADRŽAJ

SPECIFIKACIJE.....	2
MJERE OPREZA ZA IZBJEGAVANJE MOGUĆE IZLOŽENOSTI PREKOMJERNOJ MIKROVALNOJ ENERGIJI .....	2
VAŽNE UPUTE U VEZI SIGURNOSTI.....	3
UPUTE ZA UGRADNJU .....	5
RADIJSKE SMETNJE .....	6
NAČEKALA KUHANJA U MIKROVALNOJ PEĆNICI .....	6
UPUTE ZA UZEMLJENJE.....	7
PRIJE NEGO ŠTO POZOVETE SERVISERA.....	7
VODIČ ZA PRIBOR ZA KUHANJE.....	8
NAZIVI DIJELOVA.....	9
UPRAVLJAČKA PLOČA.....	10
Birač snage/akcije.....	10
Gumb vremenskog programatora.....	10
Kuhanje u mikrovalnoj pećnici .....	10
OPERATION .....	11
ČIŠĆENJE I ODRŽAVANJE.....	11

# SPECIFIKACIJE

Potrošnja snage:	230 - 240 V/ 50 HZ, 1200 W (mikrovalovi)
Nazivna izlazna snaga mikrovalova:	700 W
Radna frekvencija:	2450 MHz
Vanjske mjere:	262 mm (V) x 452 mm (Š) x 346 mm (D)
Mjere unutrašnjosti pećnice:	198 mm (V) x 315 mm (Š) x 297 mm (D)
Kapacitet pećnice:	Kompaktna 20 litara
Neto težina:	Oko 10,8 kg

## MJERE OPREZA ZA IZBJEGAVANJE MOGUĆE IZLOŽENOSTI PREKOMJERNOJ MIKROVALNOJ ENERGIJI

1. Ne upotrebljavajte ovu pećnicu s otvorenim vratima jer rad s otvorenim vratima može dovesti do štetnog izlaganja mikrovalnoj energiji. Važno je da ne deaktivirate i ne mijenjate sigurnosne brave.
2. Nemojte stavljati nikakve predmete između prednje strane pećnice i vrata niti dopustiti da se prljavština ili ostaci sredstva za čišćenje nakupljaju na brtvenim površinama.
3. Nemojte upotrebljavati pećnicu ako je oštećena. Vrlo je važno da se vrata pećnice pravilno zatvore i da nema oštećenja
  - a. Vrata (savijena),
  - b. Šarke i zasuni (slomljeni ili olabavljeni),
  - c. Brtve vrata i brtvene površine.
4. Pećnicu smije podešavati ili popravljati samo kvalificirano servisno osoblje.

# VAŽNE UPUTE U VEZI SIGURNOSTI

Prilikom uporabe električnog uređaja potrebno je pridržavati se osnovnih sigurnosnih mjera, uključujući sljedeće:

**UPOZORENJE!** - Kako biste smanjili rizik od opekline, električnog udara, požara, ozljeda osoba ili izlaganja prekomjernoj mikrovalnoj energiji:

1. Upotrebljavajte ovaj uređaj samo za njegovu namjenu kako je opisano u priručniku. Nemojte koristiti korozivna kemijska sredstva ili pare u ovom uređaju. Ova vrsta pećnice predviđena je za zagrijavanje, kuhanje ili sušenje hrane. Nije predviđena za industrijsku ili laboratorijsku uporabu.
2. Ne upotrebljavajte pećnicu kada je prazna.
3. Nemojte rukovati ovim uređajem ako je oštećen kabel ili utikač, ako ne radi ispravno ili ako je oštećen ili je pao. Ako je kabel za napajanje oštećen, mora ga zamijeniti proizvođač, njegov serviser ili osobe sličnih kvalifikacija da bi se izbjegla opasnost.
4. **UPOZORENJE!** - Djeci dopustite uporabu pećnice bez nadzora samo kada uz odgovarajuće upute kako bi dijete moglo koristiti pećnicu na siguran način i razumjeti opasnosti uslijed nepravilne uporabe.
5. Kako biste smanjili rizik od požara u unutrašnjosti pećnice:
  - Prilikom zagrijavanja hrane u plastičnim ili papirnatim posudama pazite na pećnicu zbog mogućnosti paljenja.
  - Uklonite žičane spojnice s papirnatih ili plastičnih vrećica prije stavljanja vrećice u pećnicu.
  - Ako se iz uređaja širi dim, isključite ili odspojite ga i držite vrata zatvorena kako biste ugasili eventualni plamen.
  - Nemojte koristiti unutrašnjost pećnice za potrebe skladištenja. Ne ostavljajte papirnate proizvode, pribor za kuhanje ili hranu u unutrašnjosti kad nisu u uporabi.
  - Mikrovalna pećnica namijenjena je zagrijavanju hrane i pića. Sušenje hrane ili odjeće i zagrijavanje jastučića za grijanje, papuča, spužvi, vlažne krpe i slično može povećati rizik od ozljeda, paljenja ili požara.
6. **UPOZORENJE!** - Tekuća i druga hrana ne smije se zagrijavati u zatvorenim posudama jer mogu eksplodirati.
7. Mikrovalno zagrijavanje napitaka može rezultirati odgođenim eruptivnim vrenjem, stoga je potrebno biti oprezan pri rukovanju posudom.

8. Nemojte pržiti hranu u pećnici. Vruće ulje može oštetiti dijelove pećnice i posuđe, pa čak i dovesti do opekline kože.
9. Jaja u ljusci i cijela tvrdo kuhana jaja ne smiju se zagrijavati u mikrovalnim pećnicama jer mogu eksplodirati, čak i nakon završetka mikrovalnog zagrijavanja.
10. Prije kuhanja probušite hranu s teškom kožom poput krumpira, cijelih tikvica, jabuka i kestena.
11. Sadržaj bočica za hranjenje i posuda za hranu za bebe mora se promiješati ili protresti i provjeriti temperaturu prije konzumacije kako bi se izbjegle opekline.
12. Pribor za kuhanje može se zagrijati zbog topline koja se prenosi iz zagrijane hrane. Za rukovanje priborom možda će biti potrebni držači za lonce.
13. Pribor treba provjeriti i uvjeriti se da je prikladan za uporabu u mikrovalnoj pećnici.
14. **UPOZORENJE!** - Opasno je za bilo koga, osim za osposobljenu osobu, da izvrši bilo koji servis ili popravak koji uključuje uklanjanje pokrova koji pruža zaštitu od izlaganja mikrovalnoj energiji.
15. Ovaj proizvod je ISM oprema grupe 2 razreda B. Definicija skupine 2 koja sadrži svu ISM (industrijsku, znanstvenu i medicinsku) opremu u kojoj se namjerno stvara i/ili koristi radiofrekvencijska energija u obliku elektromagnetskog zračenja za obradu materijala i opreme za eroziju iskrenjem. Opremu klase B je oprema koja je prikladna za uporabu u kućanskim objektima i objektima koji su izravno priključeni na niskonaponsku mrežu za napajanje koja napaja zgrade koje se koriste u kućanske svrhe.
16. Ovaj uređaj nije namijenjen za upotrebu osobama (uključujući djecu) s ograničenim fizičkim, osjetnim ili mentalnim sposobnostima ili kojima nedostaju iskustvo i znanje, osim ako ih osoba odgovorna za njihovu sigurnost ne nadzire ili im ne proslijedi upute u vezi s upotrebom uređaja.
17. Potreban je nadzor nad djecom kako bi se osiguralo da se ne igraju uređajem.
18. Mikrovalna pećnica koristi se samo u samostojećem položaju.
19. **UPOZORENJE!** -- Nemojte postavljati pećnicu na ploču za kuhanje ili drugi uređaj koji proizvodi toplinu jer bi se ugrađena pećnica mogla oštetiti i izgubiti pravo na jamstvo.
20. Mikrovalna pećnica ne smije se stavljati u ormarić.
21. **UPOZORENJE!** -- Uređaj i dostupni dijelovi postaju vrući tijekom uporabe.
22. **UPOZORENJE!** -- Dostupni dijelovi tijekom upotrebe mogu se jako zagrijati. Djeca se moraju držati dalje od uređaja.
23. Uređaj se tijekom uporabe zagrijava. Potrebno je paziti da ne dodirujete grijaće elemente unutar pećnice, za pečenje u štednjaku i pećnici.
24. Temperatura dostupnih površina može biti visoka dok uređaj radi.
25. Uređaj se mora postaviti uz zid.
26. Uređaj ne smiju upotrebljavati djeca ili osobe sa smanjenim fizičkim, osjetilnim ili mentalnim sposobnostima, odnosno osobe s nedostatnim iskustvom i znanjem, osim ako nisu pod nadzorom ili su dobili upute.

27. **UPOZORENJE!** -- Ako su vrata ili brtve vrata oštećeni, pećnica se ne smije koristiti dok je ne popravi stručna osoba.
28. Uređaj nije namijenjen radu pomoću vanjskog vremenskog programatora ili zasebnog sustava na upravljanje na daljinu.
29. Mikrovalna pećnica namijenjena je samo za uporabu u kućanstvu, a ne za komercijalnu uporabu.
30. Ne uklanjajte odstojnik sa stražnje ili bočne strane, jer osigurava minimalnu udaljenost od zida za cirkulaciju zraka.
31. Učvrstite rotirajući pladanj prije pomicanja uređaja kako biste izbjegli oštećenja.
32. **OPREZ!** -- Opasno je popravljati ili održavati uređaj isključivo od strane stručnjaka jer se u tim okolnostima mora ukloniti poklopac koji osigurava zaštitu od mikrovalnog zračenja. To se odnosi i na promjenu kabela za napajanje ili rasvjetu. U tim slučajevima pošaljite uređaj u naš servisni centar.
33. Mikrovalna pećnica namijenjena je samo odmrzavanju, kuhanju i parenju hrane.
34. Koristite rukavice ako uklanjate zagrijanu hranu.
35. Oprez! Para će izbiti prilikom otvaranja poklopca ili omatanja folije.
36. Ovaj uređaj smiju upotrebljavati djeca starija od 8 godina i osobe sa smanjenim fizičkim, osjetilnim ili mentalnim sposobnostima ili nedostatkom iskustva i znanja ako su pod nadzorom ili su dobili upute u vezi sa sigurnom upotrebom uređaja te ako shvaćaju povezane opasnosti. Djeca se ne smiju igrati uređajem. Korisničko čišćenje i održavanje ne smiju obavljati djeca ako nisu starija od 8 godina i ako nisu pod nadzorom.
37. Ako se uređaj dimi, isključite ili odspojite ga i držite vrata zatvorena kako biste ugasilu plamen.

## UPUTE ZA UGRADNJU

1. Pazite da uklonite sav materijal od ambalaže s unutarnje strane vrata.
2. **UPOZORENJE:** Provjerite da u pećnici nema oštećenja kao što su nepodešena ili savijena vrata, oštećene brtve vrata i brtvena površina, slomljene ili labave šarke vrata te zasuni i udubljenja unutar šupljine ili na vratima. Ako ima bilo kakvih oštećenja, nemojte koristiti pećnicu već se obratite kvalificiranom serviseru.
3. Ova mikrovalna pećnica mora se postaviti na ravnu, stabilnu površinu kako bi zadržala svoju težinu i najtežu hranu koja će se vjerojatno kuhati u pećnici.
4. Ne stavljajte pećnicu na mjesta gdje se stvara toplina, vlaga ili visoka vlažnost ili u blizini zapaljivih materijala.

5. Za ispravan rad pećnica mora imati dovoljan protok zraka. Ostavite 20 cm prostora iznad pećnice, 10 cm straga i 5 cm s obje strane. Nemojte prekrivati ili zaklanjati otvore na uređaju. Ne uklanjajte noge.
6. Nemojte koristiti pećnicu bez staklene posude, nosača valjka i osovine u odgovarajućim položajima.
7. Pazite da kabel napajanja nije oštećen i da ne prolazi ispod pećnice ili preko vruće ili oštre površine.
8. Utičnica mora biti lako dostupna kako bi se mogla lako odspojiti u hitnim slučajevima.
9. Nemojte koristiti pećnicu na otvorenom.

## **RADIJSKE SMETNJE**

Rad mikrovalne pećnice može uzrokovati smetnje radiju, TV-u ili sličnoj opremi. Kada postoji smetnja, ona se može smanjiti ili ukloniti poduzimanjem sljedećih mjera:

1. Očistite vrata i brtvenu površinu pećnice.
2. Preusmjerite prijemnu antenu radija ili televizije.
3. Premjestite mikrovalnu pećnicu u odnosu na prijemnik.
4. Odmaknite mikrovalnu pećnicu od prijemnika.
5. Uključite mikrovalnu pećnicu u drugu utičnicu tako da mikrovalna pećnica i prijemnik budu na različitim granama strujnog kruga.

## **NAČEKALA KUHANJA U MIKROVALNOJ PEĆNICI**

1. Pažljivo rasporedite hranu. Postavite najdeblja područja prema vanjskom dijelu jela.
2. Pazite na vrijeme kuhanja. Kuhajte najkraće naznačeno vrijeme i po potrebi dodajte još. Prejako kuhana hrana može se dimiti ili zapaliti.
3. Pokrijte hranu za vrijeme kuhanja. Prekrivači sprječavaju prskanje i pomažu u ravnomjernom kuhanju hrane.
4. Okrenite hranu jednom za vrijeme kuhanja u mikrovalnoj pećnici kako biste ubrzali kuhanje hrane poput piletine i hamburgera. Veliki predmeti poput pečenki moraju se okrenuti barem jednom.

5. Promijenite raspored hrane kao što su mesne okruglice na pola kuhanja odozgo prema dolje i od središta jela prema van.

## UPUTE ZA UZEMLJENJE

Ovaj uređaj mora biti uzemljen. Ova pećnica opremljena je kabelom koji ima vodič za uzemljenje s utikačem za uzemljenje. Mora se priključiti u zidnu utičnicu koja je pravilno instalirana i uzemljena. U slučaju kratkog spoja, uzemljenje smanjuje rizik od električnog udara osiguravanjem vodiča za odvod električne struje. Preporučuje se odvojeni strujni krug koji služi samo za pećnicu. Uporaba visokog napona je opasna i može dovesti do požara ili druge nezgode koja može uzrokovati oštećenje pećnice.

**UPOZORENJE!** Nepravilna uporaba utikača s uzemljenjem može dovesti do opasnosti od električnog udara.

### **Napomena:**

1. Ako imate bilo kakvih pitanja o uzemljenju ili električnim uputama, obratite se kvalificiranom električaru ili serviseru.
2. Ni proizvođač ni trgovac ne mogu prihvatiti nikakvu odgovornost za oštećenje pećnice ili tjelesne ozljede koje su posljedica nepoštivanja postupaka električnog povezivanja.

Boje vodiča u ovom mrežnom kabelu su u skladu sa sljedećim kodom:

**Zelena i žuta = UZEMLJENJE**

**Plava = NEUTRALNA**

**Smeđa = FAZA**

## PRIJE NEGO ŠTO POZOVETE SERVISERA

Ako pećnica ne radi:

1. Provjerite je li pećnica dobro priključena. Ako nije, izvucite utikač iz utičnice, pričekajte 10 sekundi i ponovno ga čvrsto priključite.
2. Provjerite da nije pregorio osigurač strujnog kruga ili je li iskočio glavni prekidač strujnog kruga. Ako se čini da ispravno rade, ispitajte utičnicu drugim uređajem.

3. Provjerite je li upravljačka ploča pravilno programirana i je li vremenski programator podešen.
4. Provjerite jesu li vrata čvrsto zatvorena aktivirajući sigurnosni sustav zaključavanja vrata. U suprotnom, mikrovalna energija neće teći u pećnicu.

AKO NIŠTA OD NAVEDENOG NE ISPRAVI STANJE, OBRATITE SE KVALIFICIRANOM TEHNIČARU. NE POKUŠAVAJTE SAMI PODEŠAVATI ILI POPRAVLJATI PEĆNICU.

## VODIČ ZA PRIBOR ZA KUHANJE

1. Mikrovalovi ne mogu prodrijeti u metal. Upotrebljavajte samo pribor koji je prikladan za upotrebu u mikrovalnim pećnicama. Metalne posude za hranu i pića nisu dopuštene tijekom mikrovalnog kuhanja. Ovaj zahtjev ne vrijedi ako proizvođač navede veličinu i oblik metalnih posuda prikladnih za kuhanje u mikrovalnoj pećnici.
2. Mikrovalovi ne mogu prodrijeti u metal, pa se ne smije koristiti metalno posuđe ili posuđe s metalnim ukrasima.
3. Prilikom kuhanja u mikrovalnoj pećnici nemojte koristiti proizvode od recikliranog papira jer mogu sadržavati male metalne fragmente koji mogu uzrokovati iskrenje i/ili požar.
4. Preporučuje se okruglo/ovalno posuđe, a ne četvrtasto/duguljasto, jer se hrana u kutovima obično prekuha.
5. Kako bi se spriječilo prejako kuhanje izloženih područja, mogu se koristiti uske trake od aluminijske folije. Ali pazite da ih ne upotrijebite previše i držite razmak od 2,54 cm između folije i šupljine.

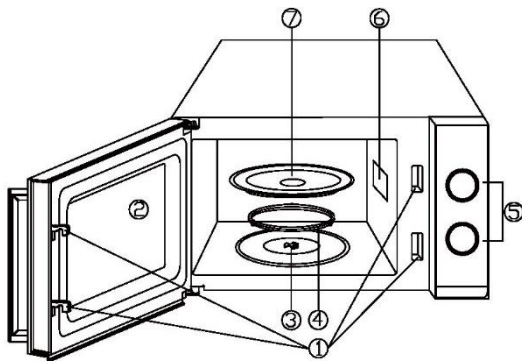
Popis u nastavku opći je vodič koji će vam pomoći u odabiru odgovarajućeg pribora.

POSUĐE ZA KUHANJE	MIKROVALOVI
Staklo otporno na toplinu	Da
Staklo koje nije otporno na toplinu	Ne
Keramika otporna na toplinu	Da
Plastično posuđe za mikrovalnu pećnicu	Da
Kuhinjski papir	Da
Metalni pladanj	Ne
Metalni stalak	Ne
Spremnici od aluminijske folije i folije	Ne

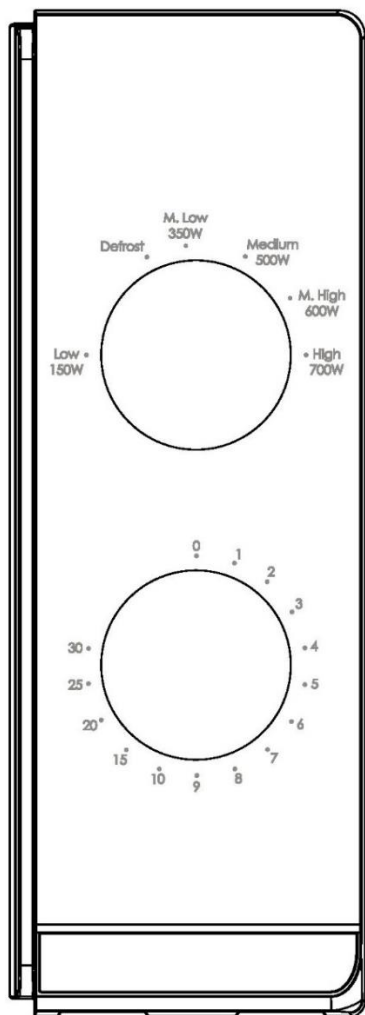


# NAZIVI DIJELOVA

1. Sustav sigurnosnog zaključavanja vrata
  2. Prozor pećnice
  3. Vratilo
  4. Prsten s kotačićima
  5. Upravljačka ploča
  6. Valovod
  7. Stakleni pladanj
- (Nemojte uklanjati ploču tinjca koja pokriva valovod)



# UPRAVLJAČKA PLOČA



Upravljačka ploča sastoji se od dva operatera funkcija. Jedan je gumb mjerača vremena, a drugi gumb za uključivanje.

## **BIRAČ SNAGE/AKCIJE**

Pomoću ovog gumba odaberite razinu snage kuhanja. To je prvi korak za početak kuhanja.

## **GUMB VREMENSKOG PROGRAMATORA**

Ponudite vizualne postavke vremena jednostavnim okretanjem palca kako biste odabrali željeno vrijeme kuhanja do 30 minuta po sesiji kuhanja.

## **KUHANJE U MIKROVALNOJ PEĆNICI**

Za čisto mikrovalno kuhanje postoji šest razina snage od kojih možete odabrati onu koja najbolje odgovara za obavljanje posla. Razina snage povećava se okretanjem regulatora udesno. Razine snage mogu se klasificirati na sljedeći način:

	Izlazna snaga	Opis
1	700 W	HIGH
2	600 W	M.HIGH
3	500 W	MED
4	350 W	M.LOW
5		DEFROST
6	150 W	LOW

# OPERATION

Za početak kuhanja,

1. Stavite hranu u pećnicu i zatvorite vrata.
2. Okrenite izbornik snage za odabir razine snage.
3. Pomoću regulatora vremena podesite vrijeme kuhanja

## **NAPOMENA:**

Čim se vremenski programator okrene, pećnica počinje kuhati.

Kada odaberete vrijeme kraće od 2 minute, okrenite vremenski programator na više od 2 minute, a zatim se vratite na točno vrijeme.

**OPREZ:** UVIJEK VRATITE VREMENSKI PROGRAMATOR U NULTI POLOŽAJ ako hranu izvadite iz pećnice prije završetka podešenog vremena kuhanja ili kada pećnica nije u uporabi. Za zaustavljanje pećnice tijekom kuhanja pritisnite tipku za otpuštanje vrata ili otvorite vrata za ručku.

# ČIŠĆENJE I ODRŽAVANJE

1. Prije čišćenja isključite pećnicu i izvucite utikač iz zidne utičnice.
2. Održavajte čistoću u unutrašnjosti pećnice. Kada hrana prska ili se prolivena tekućina priljepi na zidove pećnice, obrišite vlažnom krpom. Ako se pećnica jako zaprlja, može se upotrijebiti blagi deterdžent. Izbjegavajte uporabu spreja i drugih grubih sredstava za čišćenje jer mogu zaprljati, razmazati ili zamutiti površinu vrata.
3. Vanjske površine treba očistiti vlažnom krpom. Kako bi se spriječilo oštećenje radnih dijelova unutar pećnice, ne smije se dopustiti da voda prodre u ventilacijske otvore.
4. Obrišite vrata i prozor s obje strane, brtve vrata i susjedne dijelove često vlažnom krpom kako biste uklonili sve mrlje ili mrlje. Nemojte koristiti abrazivno sredstvo za čišćenje.
5. Ne smije se upotrebljavati parni čistač.
6. Ne dopustite da se upravljačka ploča smoči. Očistite mekom, vlažnom krpom. Prilikom čišćenja upravljačke ploče ostavite vrata pećnice otvorena kako biste spriječili slučajno uključivanje pećnice.
7. Ako se para nakuplja unutar ili oko vrata pećnice, obrišite je mekom krpom. To se može dogoditi kada mikrovalna pećnica radi u uvjetima visoke vlažnosti. To je normalno.

8. Povremeno je potrebno ukloniti stakleni pladanj radi čišćenja. Operite pladanj u toploj vodi ili u perilici posuđa.
9. Prsten s kotačićima i pod pećnice treba redovito čistiti kako bi se izbjegla prekomjerna buka. Jednostavno obrišite donju površinu pećnice blagim deterdžentom. Prsten s kotačićima može se prati u blagoj vodi sa sapunicom ili u perilici posuđa. Prilikom uklanjanja valjkastog prstena s poda šupljine radi čišćenja, obvezno ga vratite u pravilnom položaju.
10. Uklonite mirise iz pećnice kombiniranjem šalice vode sa sokom i korom jednog limuna u dubokoj posudi za mikrovalnu pećnicu, mikrovalna pećnica 5 minuta. Dobro obrišite i osušite mekom krpom.
11. Kada je potrebno zamijeniti svjetlo pećnice, obratite se prodavaču kako bi ga zamijenio.
12. Pećnicu treba redovito čistiti i uklanjati naslage hrane. Neodržavanje pećnice čistom može dovesti do propadanja površine koje može negativno utjecati na vijek trajanja uređaja i možda dovesti do opasnog stanja.
13. Nemojte odlagati ovaj uređaj u kantu za komunalni otpad; treba ga odložiti u određeni centar za odlaganje koji osiguravaju komunalne službe.



Ovaj uređaj označen je u skladu s Europskom direktivom 2012/19/EU o otpadnoj električnoj i elektroničkoj opremi iz 2013. u pogledu električnih i elektroničkih uređaja (OEEO). Otpadna električna i elektronička oprema sadrži zagađivače (koji mogu imati negativan učinak na okoliš) i bazne elemente (koji se mogu ponovno upotrijebiti). Važno je posebno obraditi otpadnu električnu i elektroničku opremu da bi se ispravno uklonili i odložili onečišćivači i vratili svi materijali. Pojedinci mogu imati važnu ulogu u postizanju cilja da otpadna električna i elektronička oprema ne postane ekološki problem. Treba se pridržavati nekoliko osnovnih pravila:

- oprema OEEO ne smije se zbrinjavati kao kućanski otpad;
- opremu OEEO potrebno je odnijeti na namjenska područja za prikupljanje kojima upravlja gradsko vijeće ili registrirano poduzeće.

U mnogim državama, za veliku opremu OEEO dostupno je prikupljanje kućanskog otpada. Pri kupnji novog uređaja, stari uređaj možete vratiti prodavaču koji će ga preuzeti besplatno, samo ako je uređaj iste vrste ili ima jednake funkcije kao i kupljeni uređaj.

