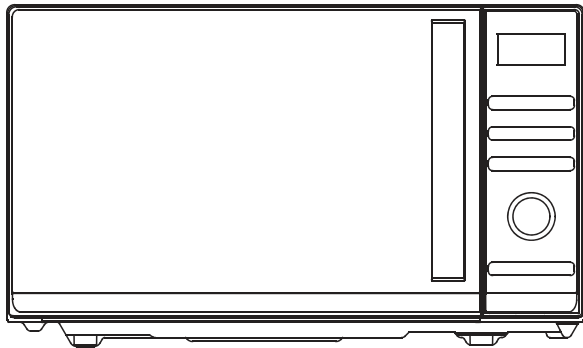


Microwave Oven Instructions



Model: CMGA20TNDB

Please read these instructions carefully before installing and operating the oven.

Haier Europe <small>CANDY</small> <small>Haier</small>	PT ☎ 707 200 188 210 010 773	IT ☎ 02 400 48 200	ES ☎ 902 100 150 943 914 150	DE ☎ 0800 500 48 48
BE ☎ 02 752 94 10	NL ☎ 33 422 4000	AT ☎ 0820 220 224	GR ☎ 801 11 50 50 50	CH ☎ 0848 780 780

70017948

CONTENT

CONTENT	1
PRECAUTIONS TO AVOID POSSIBLE EXPOSURE TO EXCESSIVE MICROWAVE ENERGY	2
IMPORTANT SAFETY INSTRUCTIONS	2
INSTALLATION GUIDE	5
GROUNDING INSTRUCTIONS	5
RADIO INTERFERENCE	6
BEFORE CALLING FOR SERVICE	6
COOKING TECHNIQUES	7
COOKING UTENSILS GUIDE	7
SPECIFICATIONS	8
PRODUCT DIAGRAM	8
CONTROL PANEL	9
OPERATION INSTRUCTIONS	10
SETTING CLOCK TIME	10
EXPRESS COOKING.....	10
MICROWAVE COOKING.....	11
TIME DEFROST.....	11
AUTO DEFROST.....	11
GRILL	11
COMBINATION.....	12
AUTO CLEAN.....	12
CHILD LOCK.....	12
AUTO COOK	12
CLEANING AND CARE	15

PRECAUTIONS TO AVOID POSSIBLE EXPOSURE TO EXCESSIVE MICROWAVE ENERGY

1. Do not attempt to operate this oven with the door open since open-door operation can result in harmful exposure to microwave energy. It is important not to defeat or tamper with the safety interlocks.
2. Do not place any object between the oven front face and the door or allow soil or cleaner residue to accumulate on sealing surfaces.
3. Do not operate the oven if it is damaged. It is very important that the oven door close properly and that there is no damage to the
 - a) Door (including any bent),
 - b) Hinges and latches (broken or loosened),
 - c) Door seals and sealing surfaces.
4. The oven should not be adjusted or repaired by anyone except qualified service personnel.

IMPORTANT SAFETY INSTRUCTIONS

When using electrical appliance basic safety precautions should be followed, including the following:

WARNING!--To reduce the risk of burns, electric shock, fire, injury to persons or exposure to excessive microwave energy:

1. Read all instructions before using the appliance and keep for future reference.
2. Use this appliance only for its intended use as described in the manual. Do not use corrosive chemicals or vapors in this appliance. This type of oven is specifically designed to heat, cook or dry food. It is not designed for industrial or laboratory use.
3. Do not operate the oven when empty.
4. Do not operate this appliance if it has a damaged cord or plug, if it is not working properly, or if it has been damaged or dropped. If the supply cord is damaged, it must be replaced by the manufacturer or its service agent or a similarly qualified person in order to avoid a hazard.
5. **WARNING!**--Only allow children to use the oven without supervision when adequate instructions have been given so that the child is able to use the oven in a safe way and understands the hazards of improper use.

6. **WARNING!**--When the appliance is operated in the combination mode, children should only use the oven under adult supervision due to the temperatures generated
7. To reduce the risk of fire in the oven cavity:
 - When heating food in plastic or paper container, keep an eye on the oven due to the possibility of ignition.
 - Remove wire twist-ties from paper or plastic bags before placing bag in oven.
 - If smoke is observed, switch off or unplug the appliance and keep the door closed in order to stifle any flames.
 - Do not use the cavity for storage purposes. Do not leave paper products, cooking utensils, or food in the cavity when not in use.
 - The microwave oven is intended for heating food and beverages. Drying of clothing and heating of warming pads, slippers, sponges, damp cloth and similar may lead to risk of injury, ignition or fire.
8. **WARNING!**--Liquid or other food must not be heated in sealed containers since they are liable to explode.
9. Microwave heating of beverage can result in delayed eruptive boiling, therefore care has to be taken when handle the container.
10. Do not fry food in the oven. Hot oil can damage oven parts and utensils and even result in skin burns.
11. Eggs in their shell and whole hard-boiled eggs should not be heated in microwave ovens since they may explode even after microwave heating has ended.
12. Pierce foods with heavy skins such as potatoes, whole squashes, apples and chestnuts before cooking.
13. The contents of feeding bottles and baby jars should be stirred or shaken and the temperature should be checked before serving in order to avoid burns.
14. Cooking utensils may become hot because of heat transferred from the heated food. Potholders may be needed to handle the utensil.
15. Utensils should be checked to ensure that they are suitable for use in microwave oven.
16. **WARNING!**--It is hazardous for anyone other than a trained person to carry out any service or repair operation which involves the removal of any cover which gives protection against exposure to microwave energy.
17. This Microwave complies with EN 55011/CISPR 11, in this standard it belong to Class B Group 2 classification. Group 2 equipment: group 2 contains all ISM RF equipment in which radio-frequency energy in the frequency range 9 kHz to 400 GHz is intentionally generated and used or only used locally, in the form of electromagnetic radiation, inductive and/or capacitive coupling, for the treatment of

- material, for inspection/analysis purposes, or for transfer of electromagnetic energy. Class B equipment is equipment suitable for use in locations in residential environments and in establishments directly connected to a low voltage power supply network which supplies buildings used for domestic purposes.
18. This appliance is not intended for use by persons (including children) with reduced physical, sensory or mental capabilities, or lack of experience and knowledge, unless they have been given supervision or instruction concerning use of the appliance by a person responsible for their safety.
 19. Children should be supervised to ensure that they do not play with the appliance.
 20. The microwave oven is only used in freestanding.
 21. **WARNING!**--Do not install oven over a range cook top or other heat-producing appliance. if installed could be damaged and the warranty would be avoid .
 22. The microwave oven shall not be placed in a cabinet.
 23. The door or the outer surface may get hot when the appliance is operating.
 24. **WARNING!**--Accessible parts may become hot during use. Young children should be kept away.
 25. During use the appliances becomes hot. Care should be taken to avoid touching heating elements inside the oven, for cooking ranged and ovens.
 26. The temperature of accessible surfaces may be high when the appliance is operating.
 27. Appliance is not to be used by children or persons with reduced physical, sensory or mental capabilities, or lack of experience and knowledge, unless they have been given supervision or instruction.
 28. **WARNING!**--If the door or door seals are damaged, the oven must not be operated until it has been repaired by a competent person.
 29. The appliances are not intended to be operated by means of an external timer or separate remote-control system.
 30. The microwave oven is for household use only and not for commercial use.
 31. Never remove the distance holder in the back or on the sides, as it ensures a minimum distance from the wall for air circulation.
 32. Please secure the turntable before you move the appliance to avoid damages.
 33. **CAUTION!**--It is dangerous to repair or maintain the appliance by no other than a specialist because under these circumstances the cover have to be removed which assures protection against microwave radiation. This applies to changing the power cord or the lighting as well. Send the appliance in these cases to our service centre.
 34. The microwave oven is intended for defrosting, cooking and steaming of food only.
 35. Use gloves if you remove any heated food.
 36. Caution! Steam will escape, when opening lids or wrapping foil.

37. This appliance can be used by children aged from 8 years and above and persons with reduced physical, sensory or mental capabilities or lack of experience and knowledge if they have been given supervision or instruction concerning use of the appliance in a safe way and understand the hazards involved. Children shall not play with the appliance. Cleaning and user maintenance shall not be made by children unless they are aged from 8 years and above and supervised.
38. If smoke is emitted, switch off or unplug the appliance and keep the door closed in order to stifle any flames.

INSTALLATION GUIDE

1. Make sure that all the packing materials are removed from the inside of the door.
2. **WARNING!**--Check the oven for any damage, such as misaligned or bent door, damaged door seals and sealing surface, broken or loose door hinges and latches and dents inside the cavity or on the door. If there is any damage, do not operate the oven and contact qualified service personnel.
3. This microwave oven must be placed on a flat, stable surface to hold its weight and the heaviest food likely to be cooked in the oven.
4. Do not place the oven where heat, moisture, or high humidity are generated, or near combustible materials.
5. For correct operation, the oven must have sufficient airflow. Allow minimum 20cm of free space necessary above the top surface of the oven and 5cm at both sides. The microwave oven rear plate must be placed close to the wall. Do not cover or block any openings on the appliance. Do not remove feet.
6. Do not operate the oven without glass tray, roller support, and shaft in their proper positions.
7. Make sure that the power supply cord is undamaged and does not run under the oven or over any hot or sharp surface.
8. The socket must be readily accessible so that it can be easily unplugged in an emergency.
9. Do not use the oven outdoors.

GROUNDING INSTRUCTIONS

This appliance must be grounded. This oven is equipped with a cord having a grounding wire with a grounding plug. It must be plugged into a wall receptacle that is properly installed and grounded. In the event of an electrical short circuit, grounding reduces risk of electric shock by providing an escape wire for the electric current. It is

recommended that a separate circuit serving only the oven be provided. Using a high voltage is dangerous and may result in a fire or other accident causing oven damage.

WARNING!--Improper use of the grounding plug can result in a risk of electric shock.

Note:

1. If you have any questions about the grounding or electrical instructions, consult a qualified electrician or service person.
2. Neither the manufacturer nor the dealer can accept any liability for damage to the oven or personal injury resulting from failure to observe the electrical connection procedures.

The wires in this cable main are colored in accordance with the following code:

Green and Yellow = EARTH

Blue = NEUTRAL

Brown = LIVE

RADIO INTERFERENCE

Operation of the microwave oven can cause interference to your radio, TV, or similar equipment. When there is interference, it may be reduced or eliminated by taking the following measures:

1. Clean door and sealing surface of the oven.
2. Reorient the receiving antenna of radio or television.
3. Relocate the microwave oven with respect to the receiver.
4. Move the microwave oven away from the receiver.
5. Plug the microwave oven into a different outlet so that microwave oven and receiver are on different branch circuits.

BEFORE CALLING FOR SERVICE

Before asking for service, please check each item below:

- Check to ensure the oven is plugged in securely. If not, remove the plug from the outlet, wait 10 seconds, and plug it in again securely.
- Check for a blown circuit fuse or a tripped main circuit breaker. If these seem to be operating properly, test the outlet with another appliance.
- Check to ensure the control panel is programmed correctly and the timer is set.
- Check to ensure the door is securely closed, engaging the door lock system. If the door is not properly closed, the microwave energy will not flow inside.

IF NONE OF THE ABOVE RECTIFIES THE SITUATION, THEN CONTACT A QUALIFIED TECHNICIAN. DO NOT TRY TO ADJUST OR REPAIR THE OVEN

COOKING TECHNIQUES

1. Arrange food carefully. Place thickest areas towards outside of dish.
2. Watch cooking time. Cook for the shortest amount of time indicated and add more as needed. Food severely overcooked can smoke or ignite.
3. Cover foods while cooking. Covers prevent spattering and help foods to cook evenly.
4. Turn foods over once during microwave cooking to speed cooking of such foods as chicken and hamburgers. Large items like roasts must be turned over at least once.
5. Rearrange foods such as meatballs halfway through cooking both from top to bottom and from the center of the dish to the outside.

COOKING UTENSILS GUIDE

1. Microwave cannot penetrate metal. Only use utensils that are suitable for use in microwave ovens. Metallic containers for food and beverages are not allowed during microwave cooking. This requirement is not applicable if the manufacturer specifies size and shape of metallic containers suitable for microwave cooking.
2. Microwave cannot penetrate metal, so metal utensils or dishes with metallic trim should not be used.
3. Do not use recycled paper products when microwave cooking, as they may contain small metal fragments which may cause sparks and/or fires.
4. Round /oval dishes rather than square/oblong ones are recommend, as food in corners tends to overcook.
5. Narrow strips of aluminum foil may be used to prevent overcooking of exposed areas. But be careful don't use too much and keep a distance of 1 inch (2.54cm) between foil and cavity.

The list below is a general guide to help you select the correct utensils.

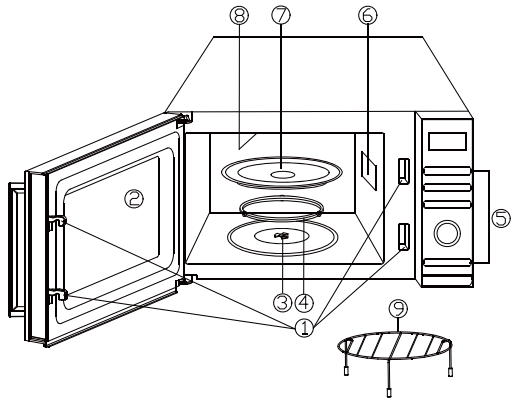
COOKWARE	MICROWAVE	GRILL	COMBINATION
Heat-Resistant Glass	Yes	Yes	Yes
Non Heat-Resistant Glass	No	No	No
Heat-Resistant Ceramics	Yes	Yes	Yes
Microwave-Safe Plastic Dish	Yes	No	No
Kitchen Paper	Yes	No	No
Metal Tray	No	Yes	No
Metal Rack	No	Yes	No
Aluminum Foil & Foil Containers	No	Yes	No

SPECIFICATIONS

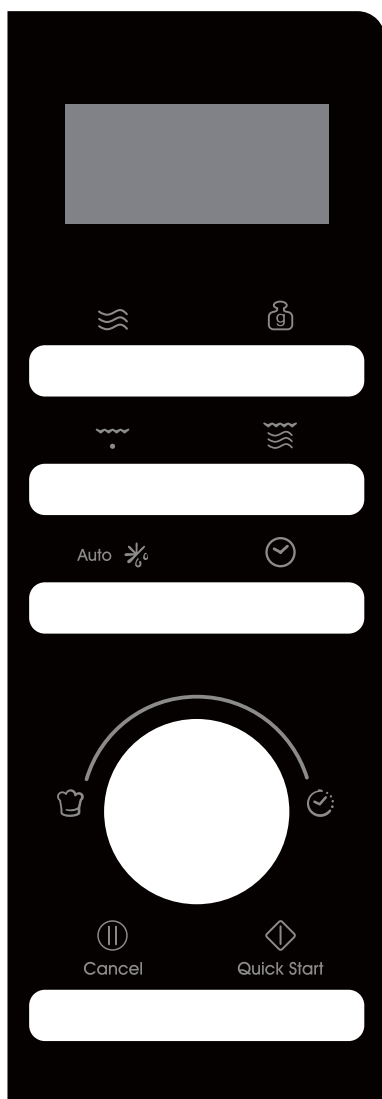
Power Consumption:	230-240V/50Hz, 1200W(Microwave) 900W(Grill)
Rated Microwave Power Output:	700W
Operation Frequency:	2450MHz
Outside Dimensions:	262mm(H)×452mm(W)×357mm(D)
Oven Cavity Dimensions:	198mm(H)×315mm(W)×297mm(D)
Oven Capacity:	20Litres
Net Weight:	Approx.11.3kg

PRODUCT DIAGRAM

1. Door Safety Lock System
2. Oven Window
3. Shaft
4. Roller Ring
5. Control Panel
6. Wave Guide
(Please do not remove the mica plate covering the wave guide)
7. Glass Tray
8. Grill Heater
9. Metal Rack



CONTROL PANEL



● MENU ACTION SCREEN

Cooking time, power, action indicators are displayed.

● POWER

Press to set microwave cooking power level.

● WEIGHT ADJUST

Press to set food weight or servings.

● GRILL

Press to set grill cooking program.

● COMBINATION

Press to set combination cooking program.

● AUTO DEFROST Auto

Press once to defrost food based on time.

Press twice to defrost food based on weight.

● CLOCK

Press to set clock time.

● MENU/TIME (dial)

Turn the dial to set time.

Turn the dial to select auto cooking menus.

● PAUSE/CANCEL Cancel


Press once to temporarily stop cooking, or twice to cancel cooking altogether.

● START/QUICK START Quick Start

Press to start cooking and defrosting programs.

Simply press it a number of times to set cooking time and cook immediately at full power level.

OPERATION INSTRUCTIONS

- When the oven first plugged in, a beep will sound and the display will show "1:01" and "".
- In the process of setting, broke about 25 seconds the oven will return to standby mode.
- During cooking, if press PAUSE/CANCEL button once, the program will be paused, then press START/QUICK START button to resume. But if press PAUSE/CANCEL button twice, the program will be cancelled.
- After cooking end, the display will show End and beep will sound every two minutes until user press PAUSE/CANCEL button or open the door.
- In the process of operation, press a valid button, the buzzer rings once, but if press a invalid button, the buzzer rings twice.
- The electronically controlling system of the microwave oven has the feature of cooling. As for any cooking mode which cooking time above 2 minutes, after cooking end, open the oven door or cooking program is paused, the oven fan will work about 3 minutes automatically to cool the oven for prolonging the life of the oven.
- Caution!- The cooling fan will automatically operate for about 3 minutes if the cooking time is longer than 2 minutes.

SETTING CLOCK TIME

This is a 12- and 24- hour clock. you can choose to set the clock time in 12- or 24- hour by pressing the CLOCK button in standby mode.

1. In standby mode, press CLOCK button repeatedly to choose 12- hour or 24- hour clock.
2. Turn MENU/TIME dial to set hour digit.
3. Press CLOCK button once.
4. Turn MENU/TIME dial to set minute digit.
5. Press CLOCK button once to confirm.

NOTE: During cooking, you can check the current clock time by pressing CLOCK button.

EXPRESS COOKING

Use this feature to program the oven to microwave food at 100% power conveniently. In standby mode, just press START/QUICK START button repeatedly to set cooking time (each press to increase 30 seconds, and up to 10 minutes), the oven starts working automatically at full power.

MICROWAVE COOKING

1. In standby mode, press POWER button repeatedly to select power level.
2. Turn MENU/TIME dial clockwise to set cooking time. The longest time is 95 minutes.
3. Press START/QUICK START button to confirm.

Press POWER button to select power level:

Press POWER button	Power (Display)	Press POWER button	Power (Display)
Once	100% (100)	7 times	40% (40)
Twice	90% (90)	8 times	30% (30)
3 times	80% (80)	9 times	20% (20)
4 times	70% (70)	10 times	10% (10)
5 times	60% (60)	11 times	00% (00)
6 times	50% (50)		

NOTE: During cooking, you can check the cooking power level by pressing POWER button.

TIME DEFROST

1. In standby mode, press AUTO DEFROST button once.
2. Turn MENU/TIME dial to set defrosting time. The longest time is 95 minutes.
3. Press START/QUICK START button to confirm.

NOTE: During defrosting, the system will pause and sound to remind user to turn food over, and then press START/QUICK START button to resume.

AUTO DEFROST

The defrosting time and power level are automatically set once the food weight is programmed. The frozen food weight ranges from 100 g to 1800 g.

1. In standby mode, press AUTO DEFROST button twice.
2. Press WEIGHT ADJUST button repeatedly to select food weight.
3. Press START/QUICK START button to confirm.

NOTE: During defrosting, the system will pause and sound to remind user to turn food over, and then press START/QUICK START button to resume.

GRILL

Grill cooking is particularly useful for thin slices of meat, steaks, chops, kebabs, sausages and pieces of chicken. It is also suitable for hot sandwiches and au gratin dishes.

1. In standby mode, press GRILL button once.
2. Turn MENU/TIME dial to set cooking time. The longest time is 95 minutes.
3. Press START/QUICK START button to confirm.

COMBINATION

Grill works more time than microwave in combination 1 cooking mode, use for fish and au gratin. But microwave works more time than grill in combination 2 cooking mode, use for pudding, omelets, baked potatoes and poultry.

1. In standby mode, press COMBINATION button once or twice to select "Co-1" or "Co-2".
2. Turn MENU/TIME dial to set cooking time. The longest time is 95 minutes.
3. Press START/QUICK START button to confirm.

AUTO CLEAN

Put a bowl of 300 g water into the oven and close the door.

1. In standby mode, turn MENU/TIME dial anti-clockwise once, and then turn the dial until the display shows "A-19" and "AUTO".
2. Press WEIGHT ADJUST button once.
3. Press START/QUICK START button to start.

NOTE: The cleaning time is 10 minutes.

CHILD LOCK

Use to prevent unsupervised operation of the oven by children.

To enter child lock: In standby mode, one minute without any operation, the oven will auto enter child lock mode and the lock indicator light will turn on. In the lock state, all buttons are disabled.

To cancel: In child lock mode, open or close the oven door once to cancel the program and the lock indicator light will come off.

AUTO COOK

For the following food or cooking mode, it is not necessary to program the cooking time and power. It is sufficient to indicate the type of food that you want to cook as well as the weight or servings of this food.

1. In standby mode, turn MENU/TIME dial anticlockwise to select food code.
2. Press WEIGHT ADJUST button repeatedly to select food weight or servings.
3. Press START/QUICK START button to confirm.

Auto cook menus:

Code	Food	Weight/Quantity	Note
A-01	Milk/Coffee (200 ml/cup)	1 cup	The display will show the number of servings instead of food weight
		2 cup	
		3 cup	
A-02	Spaghetti	100g	
		200g	
		300g	
A-03	Potato	100g	
		200g	
		300g	
A-04	Auto Reheat	200g	
		300g	
		400g	
		500g	
		600g	
		700g	
		800g	
A-05	Fish	200g	
		300g	
		400g	
		500g	
		600g	
A-06	Popcorn	100g	
A-07	Chicken	800g	During cooking the oven will stop to remind user to turn food over, after that press START/QUICK START button to resume
		1000g	
		1200g	
		1400g	
A-08	Beef/Mutton	200g	
		300g	
		400g	
		500g	
		600g	
A-09	Skewered Meat	100g	During cooking the oven will stop to remind user to turn food over, after that press START/QUICK START button to resume
		200g	
		300g	
		400g	
		500g	
A-10	Soup	1	200 g/serving
		2	
		3	
A-11	Porridge	50g	
		100g	
		150g	
A-12	Fresh vegetable	200g	
		300g	

		400g	
		500g	
		600g	
A-13	Frozen vegetable	200g	
		300g	
		400g	
		500g	
		600g	
A-14	Rice	150g	
		300g	
		450g	
		600g	
A-15	Pizza	150g	
		300g	
		450g	
A-16	Grilled fish	200g	During cooking the oven will stop to remind user to turn food over, after that press START/QUICK START button to resume
		300g	
		400g	
		500g	
		600g	
A-17	Grilled bacon	100g	
		200g	
		300g	
A-18	Sausages	100g	During cooking the oven will stop to remind user to turn food over, after that press START/QUICK START button to resume
		200g	
		300g	
		400g	
		500g	
A-19	Autoclean/(performance would be the water drop full of the inside of the cavity)		

The result of auto cooking depends on factors such as the shape and the size of food, your personal preferences as to the doneness of certain foods and even how well you happen to place foods in the oven. If you find the result at any rate not quite satisfactory, please adjust the cooking time a little bit accordingly.

CLEANING AND CARE

1. Turn off the oven and unplug the power cord from the wall when cleaning.
2. Keep the inside of the oven clean. When food splatters or spilled liquids adhere to oven walls, wipe with a damp cloth. Mild detergents may be used if the oven gets very dirty. Avoid using spray or other harsh cleaners. They may stain, streak or dull the door surface.
3. The outside of the oven should be cleaned with a damp cloth. To prevent damage to the operating parts inside the oven, water should not be allowed to seep into the ventilation openings.
4. Wipe the door and window on both sides, the door seals and adjacent parts frequently with a damp cloth to remove any spills or spatters. Do not use abrasive cleaner.
5. A steam cleaner is not be used.
6. Do not allow the control panel to become wet. Clean with a soft, damp cloth. When cleaning the control panel, leave oven door open to prevent oven from accidentally turning on.
7. If steam accumulates inside or around the outside of the oven door, wipe with a soft cloth. This may occur when the microwave oven is operated under high humidity condition. And it is normal.
8. It is occasionally necessary to remove the glass tray for cleaning. Wash the tray in warm sudsy water or in a dishwasher.
9. The roller ring and oven floor should be cleaned regularly to avoid excessive noise. Simply wipe the bottom surface of the oven with mild detergent. The roller ring may be washed in mild, soapy water or in a dishwasher. When removing the roller ring, be sure to replace it in the proper position.
10. Remove odors from your oven by combining a cup of water with the juice and skin of one lemon in a microwaveable bowl. Microwave for 5 minutes. Wipe thoroughly and dry with a soft cloth.
11. If the light bulb burns out, please contact customer service to have it replaced.
12. The oven should be cleaned regularly and any food deposits should be removed. Failure to maintain the oven in a clean condition could lead to deterioration of surface that could adversely affect the life of the unit and could possibly result in a hazardous situation.
13. Please do not dispose of this appliance into the domestic rubbish bin; it should be disposed to the particular disposal center provided by the municipalities.
14. When the microwave oven with grill function is first used, it may produce slight smoke and smell. This is a normal phenomenon, because the oven is made of a

steel plate coated with lubricating oil, and the new oven will produce fumes and odor generated by burning the lubricating oil. This phenomenon will disappear after a period of using.

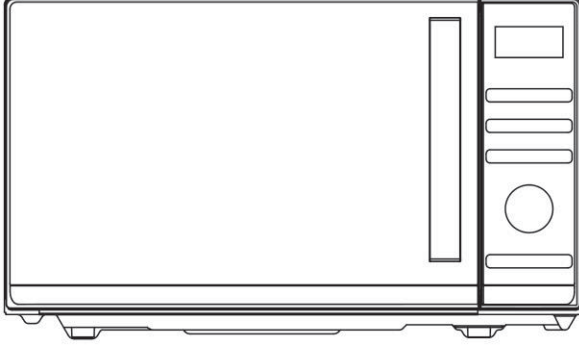


This appliance is labelled in accordance with European Directive 2012/19/EU on Waste Electrical and Electronic Equipment Regulations 2013 regarding electric and electronic appliances (WEEE). The WEEE contain both polluting substances (that can have a negative effect on the environment) and base elements (that can be reused). It is important that the WEEE undergo specific treatments to correctly remove and dispose of the pollutants and recover all the materials. Individuals can play an important role in ensuring that the WEEE do not become an environmental problem; it is essential to follow a few basic rules:

- the WEEE should not be treated as domestic waste;
- the WEEE should be taken to dedicated collection areas managed by the town council or a registered company.

In many countries, domestic collections may be available for large WEEEs. When you buy a new appliance, the old one can be returned to the vendor who must accept it free of charge as a one-off, as long as the appliance is of an equivalent type and has the same functions as the purchased appliance.

إرشادات استخدام فرن الميكروويف



الطراز: CMGA 20 TNDB

يُرجى قراءة هذه الإرشادات بعناية قبل تركيب وتشغيل الفرن.

Haier Europe CANDY Haier	PT 707 200 188 210 010 773	IT 02 400 48 200	ES 902 100 150 943 914 150	DE 0800 500 48 48
BE LU	NL	AT	GR	CH
02 752 94 10	33 422 4000	0820 220 224	801 11 50 50 50	0848 780 780

المحتويات

3	الاحتياطات المطلوبة لتجنب التعرض لطاقة ميكروويف مفرطة
3	إرشادات السلامة المهمة
5	دليل التحميل
5	إرشادات التآريض
6	التشويش اللاسلكي
6	قبل الاتصال للحصول على الخدمة
6	تقنيات الطهي
7	دليل أواني الطهي
7	المواصفات
8	مخطط المنتج:
9	لوحة التحكم
9	تعليمات التشغيل
10	ضبط الساعة الزمنية
10	الطهي السريع
10	الطهي بالميكروويف
11	وقت إزالة الصقيع
11	إزالة الصقيع تلقائياً
11	الشواية
12	مجموعة
12	التوضيح التلقائي
12	قفل الأطفال
12	الطهي التلقائي
15	التنظيف والعناية

الاحتياطات المطلوبة لتجنب التعرض لطاقة ميكروويف مفرطة

1. الرجاء عدم محاولة تشغيل هذا الفرن وبابه مفتوح؛ لأن ذلك يمكن أن ينتج عنه التعرض لطاقة الموجات الدقيقة (الميكروويف) الضارة. ومن الأهمية عدم كسر أو العبث بأقفال الأمان التعشيقية.
2. الرجاء عدم وضع أي جسم بين الواجهة الأمامية (وجه) الفرن وبابه أو ترك الأوساخ أو بقايا المنظف لتتراكم على الأسطح المانعة للتسرب.
3. لا تقم بتشغيل الفرن في حالة تلفه. ومن المهم للغاية إغلاق باب الفرن على النحو الملائم وخلو الأجزاء التالية من جميع أوجه التلف
 - (a) الباب (بما في ذلك أي منحني)،
 - (b) المفصلات والمزليج (المكسورة أو المرترخية)،
 - (c) موانع تسرب الأبواب والأسطح العازلة.
4. يجب ألا يتولى أي شخص بخلاف فني خدمة مؤهل ضبط أو إصلاح الفرن.

إرشادات السلامة المهمة

- عند استخدام جهاز كهربائي، يجب اتباع احتياطات السلامة الأساسية، وتشمل ما يلي:
- تحذير!-** لتقليل مخاطر الإصابة بحروق والتعرض لصدمة كهربائية أو نشوب حرائق أو إصابة الأشخاص أو التعرض لطاقة الميكروويف الزائدة:
1. اقرأ جميع الإرشادات قبل استخدام الجهاز واحتفظ بها للرجوع إليها في المستقبل.
 2. استخدم هذا الجهاز فقط في الغرض المخصص له وحسبما هو موصوف في هذا الدليل. لا تستخدم المواد الكيميائية أو الأبخرة المسببة للتآكل في هذا الجهاز. صُمم هذا النوع من الأفران خصيصًا لتسخين الطعام أو طهيهِ أو تحفيهِ. وهو غير مصمم للاستخدام الصناعي أو المعملِي.
 3. لا تقم بتشغيل الفرن إذا كان فارغًا.
 4. لا تقم بتشغيل هذا الجهاز إذا كان سلك أو قابس الطاقة تالفًا، وإذا لم يكن يعمل بشكل صحيح أو تعرض للتلف أو الإسقاط. إذا تعرض كبل التيار الكهربائي للتلف، فيتحتم استبداله بمعرفة المُصنِّع، أو وكيل خدماته أو بمعرفة فني مؤهل؛ وذلك تفاديًا لأي مخاطر.
 5. اسمح للأطفال باستخدام الفرن من دون إشراف فقط بعد إعطائهم الإرشادات المناسبة، بحيث يتمكن الطفل من استخدام الفرن بطريقة آمنة ويفهم مخاطر الاستخدام غير الملائم.
 6. **تحذير!-** عند تشغيل الجهاز في وضع الجمع، يجب على الأطفال استخدام الفرن فقط تحت إشراف البالغين بسبب درجات الحرارة المتولدة.
 7. لتقليل مخاطر نشوب حريق في تجويف الفرن:
 - عند تسخين الطعام في حاويات بلاستيكية أو ورقية يجب مراقبة الفرن بسبب إمكانية تعرضها للاشتعال.
 - انزع الأربطة الملتفة من الأكياس الورقية أو البلاستيكية قبل وضعها في الفرن.
 - إذا لوحظ انبعاث دخان، فيجب إيقاف تشغيل الفرن أو فصل كبله وترك الباب مغلقًا لحرق أي لهب.
 - يحظر استخدام التجويف لأغراض التخزين. لا تترك المنتجات الورقية أو أواني الطهي أو الطعام في التجويف أثناء عدم استخدام الفرن.
 - الاستخدام المقصود لفرن الميكروويف هو تسخين الأطعمة والمشروبات. وقد يؤدي تجفيف الملابس وتسخين ألياف التدفئة والشباشب والإسفنجات والقماش المبلل والمواد المشابهة إلى خطر التعرض لإصابة أو الاشتعال أو نشوب حريق.
 8. **تحذير -** يجب عدم تسخين السوائل أو الأطعمة الأخرى في حاويات مختومة لأنها عرضة للانفجار.
 9. يمكن أن يؤدي تسخين المشروبات في الميكروويف إلى غليان انفجاري متأخر، ولذلك يجب الحرص عند التعامل مع الحاوية.

10. لا تجفف الأطعمة في الفرن. قد يؤدي الزيت الساخن إلى إتلاف أجزاء الفرن والأواني وقد يتسبب أيضًا في حروق جلدية.
11. ينبغي عدم تسخين البيض بقشرته والبيض المسلوق في أفران الميكروويف؛ لأنه قد ينفجر، حتى بعد انتهاء التسخين بالميكروويف.
12. اصنع فتحات في الأطعمة ذات القشرة السمكية مثل البطاطس وحبات الكوسة الكاملة والفتاح والكستناء قبل طهيها.
13. يجب تقليب أو رج محتويات زجاجات الرضاعة أو برطمانات أطعمة الأطفال والتحقق من درجة الحرارة قبل الاستخدام، لتجنب التعرض لحروق.
14. قد تصبح أواني الطهي ساخنة بسبب انتقال الحرارة إليها من الأطعمة المسخنة. وقد تقتضي الضرورة استخدام قطعة قماش للتعامل مع أواني الطهي الساخنة.
15. يجب فحص الأواني للتأكد من أنها مناسبة للاستخدام في فرن الميكروويف.
16. **تحذير!**— إنه لمن الخطر على أي شخص غير مُدرّب إجراء أي أعمال خدمة أو إصلاح تتضمن إزالة أي غطاء يحمي من التعرض لطاقة الميكروويف.
17. يتوافق هذا الميكروويف مع التوجيه EN 55011/CISPR 11، وبموجب هذا المعيار فإنه ينتمي إلى تصنيف الفئة ب المجموعة 2. أجهزة المجموعة 2: تضم المجموعة 2 جميع الأجهزة الصناعة والعلمية الطبية التي تتولد بها طاقة الترددات اللاسلكية في نطاق يتراوح بين 9 كيلوهرتز و400 جيجاهرتز عمدًا وتُستخدم فقط على نطاق محلي، على هيئة إشعاع كهرومغناطيسي و/أو حثي و/أو إقران سعوي بهدف علاج المواد أو لأغراض التفتيش/التحليل، أو لنقل الطاقة الكهرومغناطيسية. أما بالنسبة لأجهزة الفئة ب، فهي الأجهزة المناسبة للاستخدام في البيئات السكنية وفي المنشآت المتصلة مباشرة بشبكة إمداد التيار الكهربائي منخفض الجهد التي تغذي المباني المستخدمة لأغراض منزلية.
18. هذا الجهاز غير مخصص للاستخدام من قِبل الأشخاص (بما فيهم الأطفال) ذوي القدرات البدنية أو الحسية أو العقلية المحدودة أو الأشخاص عديمي الخبرة والمعرفة، إلا إذا تم الإشراف عليهم أو إعطاؤهم التعليمات بشأن استخدام الجهاز من شخص مسؤول عن سلامتهم.
19. ينبغي أن يخضع الأطفال للإشراف لضمان عدم استخدامهم لهذا الجهاز في اللعب.
20. يُستخدم فرن الميكروويف فقط بشكل مستقل.
21. **تحذير!**— يجب عدم تركيب الفرن فوق موقد طهي أو جهاز آخر يُصدر حرارة. وإلا، فقد يتعرض للتلف ويتم إلغاء الضمان.
22. يجب عدم وضع فرن الميكروويف داخل خزانة.
23. فقد يصبح الباب أو السطح الخارجي ساخناً أثناء تشغيل الجهاز.
24. **تحذير!**— قد تصبح الأجزاء التي يمكن الوصول إليها ساخنة أثناء الاستخدام. ينبغي إبعاد الأطفال الصغار.
25. تصبح الأجهزة ساخنة أثناء الاستخدام. فيجب توخي الحذر لتجنب لمس العناصر الساخنة بداخل الفرن، لمواقد الطهي والأفران.
26. ربما ترتفع درجة حرارة الأسطح القريبة من الجهاز أثناء تشغيل الجهاز.
27. هذا الجهاز غير مناسب للاستخدام من قِبل الأطفال أو الأشخاص ذوي القدرات البدنية أو الحسية أو العقلية المحدودة، أو الأشخاص عديمي الخبرة والمعرفة، إلا إذا تم الإشراف عليهم أو إعطاؤهم التعليمات المناسبة.
28. **تحذير!**— في حالة تلف الباب أو موانع تسرب الباب، يجب عدم تشغيل الفرن حتى يقوم شخص مختص بإصلاحه.
29. الأجهزة ليست مخصصة للاستخدام مع مؤقت خارجي أو نظام تحكم عن بُعد منفصل.
30. فرن الميكروويف مخصص للاستخدام المنزلي فقط ولا يصلح للاستخدام التجاري.
31. لا تعتمد مطلقاً لإزالة حاجز الفصل الموجود في الخلف أو على الجانبين، فهو يضمن وجود الحد الأدنى من المسافة بين الجهاز والحائط لتوفير التهوية الكافية.
32. يُرجى تثبيت القرص الدوار قبل نقل الجهاز لتجنب حدوث أي تلف.
33. **تنبيه!**— من الخطورة بمكان أن يتولى أي شخص غير متخصص إصلاح أو صيانة الجهاز؛ لأنه في هذه الحالة يتعين إزالة الغطاء الذي يضمن الحماية ضد إشعاع الميكروويف. وينطبق هذا أيضًا على تغيير سلك الطاقة أو مصابيح الإضاءة. أرسل الجهاز في هذه الحالات إلى مركز الخدمة الخاص بنا.
34. يعتبر فرن الميكروويف مخصصًا للاستخدام في أغراض إذابة تجميد الطعام وطيئه بالتسخين وعلى البخار فقط.
35. استخدم قفازات عند إخراج أي طعام تم تسخينه.
36. تحذير! سيتطاير البخار عند فتح الأعطية أو التغليف بالرقائق.

37. يمكن استخدام هذا الجهاز من جانب الأطفال من سن 8 سنوات فما أكبر ومن جانب الأشخاص من ذوي القدرات البدنية أو الحسية أو العقلية المحدودة أو الأشخاص عديمي الخبرة والمعرفة، وذلك في حالة الإشراف عليهم أو إعطائهم التعليمات بشأن استخدام الجهاز بطريقة آمنة وفهم المخاطر المتعلقة به. يجب ألا يعيثر الأطفال بالجهاز. كما يجب عدم تنظيف الأطفال لهذا الجهاز وعدم إجرائهم الصيانة التي يقوم بها المستخدم ما لم يكونوا بعمر 8 أعوام أو أكبر وتحت إشراف الكبار.
38. إذا انبعث دخان فيجب إيقاف تشغيل الفرن أو فصل كابله وترك الباب مغلقاً لخنق أي لهب.

دليل التحميل

1. تأكد من إزالة جميع مواد التغليف من الجزء الداخلي من الباب.
2. افحص الفرن للتأكد من خلوه من أي تلف، مثل سوء محاذاة الباب أو انثنائه، أو تلف موانع تسرب الباب والسطح العازل، أو مفصلات الباب والمزاليج المكسورة أو المرتخية والنتوءات داخل التجويف أو على الباب. إذا وُجد أي تلف، فتجنب تشغيل الفرن واتصل بفني خدمة مؤهل.
3. يجب وضع فرن الميكروويف على سطح مستوٍ ومستقر يتحمل وزنه ووزن أثقل طعام من الممكن طهيته في الفرن.
4. لا تضع الفرن في مكان تصدر فيه الحرارة أو الرطوبة العالية، أو بالقرب من المواد القابلة للاحتراق.
5. للتشغيل الصحيح، يجب أن يحظى الفرن بتدفق الهواء الكافي. اترك مسافة 20 سم بحد أدنى فوق السطح العلوي للفرن ومسافة 5 سم على الجانبين. يجب وضع اللوحة الخلفية لفرن الميكروويف بالقرب من الحائط. لا تغط أو تسد أي فتحات على الجهاز. لا تنزع القواعد.
6. لا تقم بتشغيل الفرن من دون وجود الصبينية الدوارة ودعائم القرص الدوار والعمود في مواضعها الصحيحة.
7. تأكد من عدم تلف سلك إمداد التيار الكهربائي وعدم امتداده أسفل الفرن أو فوق أي سطح ساخن أو حاد.
8. يجب أن يسهل الوصول إلى مقبس التيار الكهربائي حتى يسهل نزعها في حالات الطوارئ.
9. تجنب استخدام الفرن في الأماكن الخارجية.

إرشادات التأريض

- يجب تأريض هذا الجهاز. هذا الفرن مزود بكابل يحتوي على سلك تأريض مع موصل تأريض. ويجب توصيل الموصل بمقبس مركب ومؤرض بالطرق السليمة. وفي حالة حدوث دائرة كهربائية قصيرة، يقلل التأريض من خطر التعرض لصدمة كهربائية بتوفير سلك هروب للتيار الكهربائي. يوصى بتوفير دائرة منفصلة تزود الفرن فقط بالتيار الكهربائي. ويعتبر استخدام الجهد العالي خطيراً وقد ينجم عنه نشوب حريق أو حادث آخر يسبب تلف الفرن. **تحذير!**—يمكن أن يؤدي الاستخدام غير الصحيح لقابس التأريض لخطر التعرض لصدمة كهربائية. ملاحظة:
1. إذا كانت لديك أي أسئلة عن التأريض أو الإرشادات الكهربائية، فاستشر فني كهرباء أو صيانة مؤهل.
 2. لا يتحمل المصنّع أو البائع أي مسؤولية عن أي تلف يتعرض له الفرن أو أي إصابة شخصية تنجم عن عدم مراعاة إجراءات التوصيلات الكهربائية الصحيحة.
- تتخذ أسلاك كابل التيار الكهربائي الرئيسي ألواناً مختلفة طبقاً للقاعدة التالية:
- الأخضر والأصفر = أرضي

الأزرق = محايد

البنّي = مكهرب

التشويش اللاسلكي

- قد يتسبب تشغيل فرن الميكروويف في تشويش على استقبال أجهزة الراديو والتلفزيون أو ما شابه. عند حدوث التشويش، يمكن تخفيفه أو التخلص منه باتباع الإجراءات التالية:
1. تنظيف الباب والسطح العازل للفرن.
 2. إعادة توجيه هوائي الاستقبال الخاص بالراديو أو التلفزيون.
 3. تغيير موضع فرن الميكروويف بالنسبة لجهاز الاستقبال.
 4. نقل الميكروويف بعيدًا عن جهاز الاستقبال.
 5. توصيل فرن الميكروويف بأخذ تيار كهربائي مختلف بحيث يتصل فرن ميكروويف جهاز الاستقبال بدائرتين فرعيتين مختلفتين.

قبل الاتصال للحصول على الخدمة

- قبل طلب إجراء الصيانة، يُرجى فحص كل عنصر فيما يلي:
- تحقق من اتصال الفرن بمصدر التيار الكهربائي بشكل آمن. وإلا، فانزع القابس من مأخذ التيار الكهربائي، وانتظر 10 ثوانٍ، ثم أعد توصيله بشكل آمن.
 - تحقق من وجود منصهر منفجر بالدائرة الكهربائية أو قاطع دائرة كهربائية متعثر. وإذا لم تكن هناك مشكلة في ذلك، فاختبر مأخذ التيار الكهربائي بتوصيل جهاز آخر به.
 - تحقق من برمجة لوحة التحكم بشكل صحيح وضبط الموقت.
 - تحقق من إغلاق الباب بإحكام وتعشيق نظام قفل الباب. إذا لم يُغلق الباب بشكل صحيح، فلن تندفق طاقة الميكروويف داخل الفرن.
- إذا لم تؤدِّ الإجراءات السابقة لمعالجة المشكلة، فاتصل بفني مؤهل. ولا تحاول ضبط أو إصلاح الفرن بنفسك.

تقنيات الطهي

1. نظم الطعام بعناية. ضع الأجزاء الأكثر سُمكًا باتجاه الجزء الخارجي للطبق.
2. راقب مدة الطهي. قم بالطهي لأقصر مدة زمنية محددة وقم بزيادتها عند اللزوم. قد يؤدي الإفراط في طهي الطعام إلى إصدار الدخان أو الاشتعال.
3. قم بتغطية الطعام أثناء الطهي. حيث إن الأغذية تمنع التناثر وتساعد على الطهي بشكل متجانس.
4. اقلب الطعام مرة واحدة أثناء طهيه داخل الميكروويف لإنضاج بعض الأطعمة بشكل أسرع مثل الدجاج والبرجر. ويجب قلب القطع الكبيرة مثل اللحم المشوي مرة واحدة على الأقل.
5. أعد تنظيم الأطعمة مثل كرات اللحم في منتصف مدة الطهي من الأعلى إلى الأسفل ومن وسط الطبق إلى الخارج.

دليل أواني الطهي

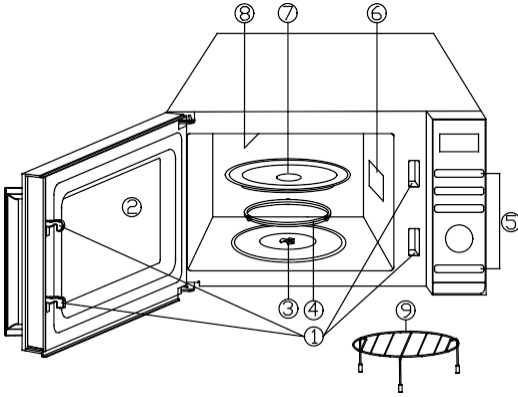
1. لا يمكن لأشعة الميكروويف اختراق المعدن. يجب فقط استخدام أوان مناسبة لأفران الميكروويف. غير مسموح باستخدام الحاويات المعدنية للأطعمة والمشروبات أثناء الطهي بالميكروويف. ولا ينطبق هذا الشرط إذا حددت جهة التصنيع حجم وشكل الحاويات المعدنية المناسبة للطهي في فرن الميكروويف.
 2. لا يمكن لأشعة الميكروويف اختراق المعدن، ولذلك يجب عدم استخدام الأواني المعدنية أو الأطباق ذات الحواف المعدنية.
 3. يجب عدم استخدام المنتجات الورقية المعاد تدويرها عند طهي الطعام في الميكروويف؛ لأنها تحتوي على شظايا معدنية صغيرة قد تسبب الشرر و/أو الحرائق.
 4. يوصى باستخدام الأطباق المستديرة/البيضاوية وليس المربعة/المستطيلة، حيث يتعرض الطعام في الأركان للطهي المفرط.
 5. قد تُستخدم شرائط ضيقة من رقائق الألومنيوم لمنع الطهي المفرط للمناطق المكشوفة. ولكن احرص على عدم استخدامها بكميات زائدة واحتفظ بمسافة بوصة واحدة (2.54 سم) بين الرقائق والتجويف.
- تعتبر القائمة التالية دليلاً عامًا لمساعدتك على اختيار الأواني الصحيحة.

أواني الطهي	الميكروويف	الشواية	الجمع
الزجاج المقاوم للحرارة	نعم	نعم	نعم
الزجاج غير المقاوم للحرارة	لا	لا	لا
أواني السيراميك المقاومة للحرارة	نعم	نعم	نعم
الأطباق البلاستيكية الآمنة للاستخدام في الميكروويف	نعم	لا	لا
ورق المطبخ	نعم	لا	لا
صينية معدنية	لا	نعم	لا
رف معدني	لا	نعم	لا
رقائق الألومنيوم وحوايات الرقائق المعدنية	لا	نعم	لا

المواصفات

استهلاك الطاقة:	230-240 فولت/50 هرتز ، 1200 واط(ميكروويف)
	900 واط (الشواية)
خرج قدرة الميكروويف المقرر:	700 واط
تردد التشغيل:	2450 ميغاهرتز
الأبعاد الخارجية:	262 مم(ارتفاع)×452 مم(عرض)×357 مم(عمق)
أبعاد تجويف الفرن:	198 مم (ارتفاع) × 315 مم (عرض) × 297 مم (عمق)
السعة الاستيعابية للفرن:	20 لترًا
الوزن الصافي:	حوالي 11.3 كجم

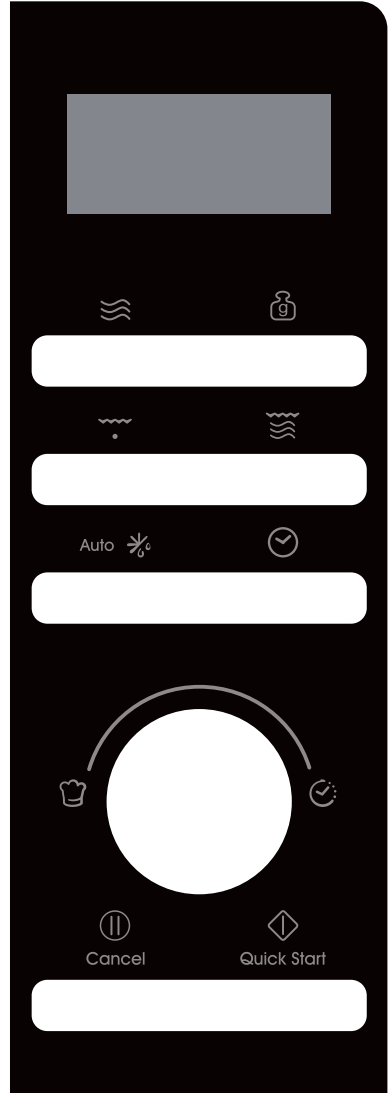
مخطط المنتج:




1. نظام قفل الأمان للباب
2. نافذة الفرن
3. العمود
4. حلقة الأسطوانة
5. لوحة التحكم
6. موجة الموجات
(يرجى عدم إزالة لوح الميكا الذي يغطي
موجّه الموجة)
7. الصينية الزجاجية
8. سخان الشواية
9. رف معدني

لوحة التحكم

- شاشة قائمة الوظائف
يتم عرض وقت الطهي والطاقة ومؤشرات العمل.
- الطاقة الكهربائية
اضغط لضبط مستوى طاقة الطهي في الميكروويف.
- ضبط الوزن
اضغط على لتعيين وزن الطعام أو الوجبات.
- شواية
اضغط على لتعيين برنامج طهي الشواية.
- تركيبة
اضغط على لتعيين برنامج الطهي المركب.
- إزالة التجميد التلقائية  Auto
اضغط مرة واحدة لتذويب الطعام حسب الوقت. اضغط مرتين لتذويب الطعام على أساس الوزن.
- الساعة
اضغط لضبط وقت الساعة.
- القائمة/الوقت:  (الطلب)
أدر القرص لضبط الوقت.
أدر القرص لتحديد قائمة الطهي التلقائي.
- إيقاف مؤقت/إلغاء  Cancel
اضغط عليه مرة واحدة لإيقاف الطهي، أو مرتين لإلغاء عملية الطهي برمتها.
- البدء/البدء السريع  Quick Start
اضغط لبدء برامج الطهي وإزالة الصقيع.
اضغط عليه فقط عدة مرات لضبط مدة الطهي وقم بالطهي على الفور عند مستوى القدرة الكامل.



تعليمات التشغيل

- عند توصيل الفرن لأول مرة ، يصدر صوت صفير وتظهر الشاشة "1:01" و  و "".
- إذا توقفت عملية الضبط مدة 25 ثانية تقريبًا، سيعود الفرن إلى وضع الاستعداد.

- أثناء الطهي ، إذا تم الضغط على زر الإيقاف المؤقت/الإلغاء مرة واحدة ، فسيتم إيقاف البرنامج مؤقتًا ، ثم اضغط على زر START/QUICK START (بدء التشغيل/بدء التشغيل السريع) للاستئناف. ولكن في حالة الضغط على زر الإيقاف المؤقت/الإلغاء مرتين ، سيتم إلغاء البرنامج.
- بعد انتهاء الطهي ، ستظهر الشاشة END (نهائية) وستصدر صافرة كل دقيقتين حتى يضغط المستخدم على زر PAUSE/CANCEL (إيقاف مؤقت/إلغاء) أو يفتح الباب.
- أثناء التشغيل ، اضغط على زر صالح ، يرن الجرس مرة واحدة ، ولكن إذا ضغط على زر غير صالح ، يرن الجرس مرتين.
- يتميز نظام التحكم الإلكتروني في فرن الميكروويف بخاصية التبريد. بالنسبة لأي وضع للطهي يزيد فيه وقت الطهي عن دقيقتين ، بعد انتهاء الطهي ، افتح باب الفرن أو برنامج الطهي ، ستعمل مروحة الفرن حوالي 3 دقائق تلقائيًا لتبريد الفرن لإطالة عمر الفرن.
- الطهي حالة في تقريبًا دقائق 3 لمدة تلقائيًا التبريد مروحة ستعمل - !تحذير دقيقتين من أطول الوقت.

ضبط الساعة الزمنية

- هذه هي ساعة 12 و 24 ساعة ، يمكنك اختيار تعيين وقت الساعة في دورة 12 أو 24 ساعة عن طريق الضغط على زر الساعة في وضع الاستعداد.
1. في وضع الاستعداد ، اضغط على زر الساعة بشكل متكرر لاختيار 12 ساعة أو 24 ساعة.
 2. أدر قائمة/وقت الطلب لتعيين رقم الساعة.
 3. اضغط على زر الساعة مرة واحدة.
 4. أدر قائمة/وقت الطلب لتعيين رقم الدقيقة.
 5. اضغط على زر الساعة مرة واحدة للتأكيد.
- ملاحظة: أثناء الطهي ، يمكنك التحقق من وقت الساعة الحالي عن طريق الضغط على زر الساعة.

الطهي السريع

استخدم هذه الميزة لبرمجة الفرن على طهي الطعام بالميكروويف بقدرة 100% لسرعة الطهي. في وضع الاستعداد ، ما عليك سوى الضغط على زر START/QUICK START (بدء التشغيل/بدء التشغيل السريع) بشكل متكرر لضبط وقت الطهي (كل ضغط لزيادة 30 ثانية ، وحتى 10 دقائق) ، يبدأ الفرن في العمل تلقائيًا بكامل طاقته.

الطهي بالميكروويف

1. في وضع الاستعداد ، اضغط على زر الطاقة بشكل متكرر لتحديد مستوى الطاقة.
2. أدر قائمة/وقت الطلب في اتجاه عقارب الساعة لضبط وقت الطهي. وأقصى مدة هي 95 دقيقة.
3. اضغط على زر START/QUICK START (بدء/بدء سريع) للتأكيد.

اضغط على زر الطاقة لتحديد مستوى الطاقة:

القدرة (الشاشة)	اضغط على زر الطاقة	القدرة (الشاشة)	اضغط على زر الطاقة
40% (40)	7 مرات	100% (100)	مرة واحدة
30% (30)	8 مرات	90% (90)	مرتان
20% (20)	9 مرات	80% (80)	3 مرات
10% (10)	10 مرات	70% (70)	4 مرات
00% (00)	11 مرات	60% (60)	5 مرات
		50% (50)	6 مرات

ملاحظة: أثناء الطهي ، يمكنك التحقق من مستوى طاقة الطهي عن طريق الضغط على زر الطاقة.

وقت إزالة الصقيع

1. في وضع الاستعداد ، اضغط على زر إزالة الصقيع التلقائي مرة واحدة.
 2. أدر قائمة/وقت الطلب لضبط وقت إزالة الصقيع. وأقصى مدة هي 95 دقيقة.
 3. اضغط على زر START/QUICK START (بدء/بدء سريع) للتأكيد.
- ملاحظة: أثناء إزالة الصقيع ، سيتوقف النظام مؤقتًا وسيصدر صوتًا لتذكير المستخدم بتحويل الطعام ، ثم اضغط على زر START/QUICK START (بدء/بدء سريع) للاستئناف.

إزالة الصقيع تلقائيًا

- يتم ضبط وقت إزالة الصقيع ومستوى الطاقة تلقائيًا بمجرد برمجة وزن الطعام. يتراوح وزن الطعام المجمد من 100 جم إلى 1800 جم.
1. في وضع الاستعداد ، اضغط على زر إزالة الصقيع التلقائي مرتين.
 2. اضغط على زر ضبط الوزن بشكل متكرر لتحديد وزن الطعام.
 3. اضغط على زر START/QUICK START (بدء/بدء سريع) للتأكيد.
- ملاحظة: أثناء إزالة الصقيع ، سيتوقف النظام مؤقتًا وسيصدر صوتًا لتذكير المستخدم بتحويل الطعام ، ثم اضغط على زر START/QUICK START (بدء/بدء سريع) للاستئناف.

الشواوية

- بعد الطهي المشوي مفيديًا بشكل خاص لشرائح اللحم الرقيقة ، واللحوم ، والقطع ، والكباب ، والنقانق ، وقطع الدجاج. وهو مناسب أيضًا لإعداد الشطائر الساخنة وأطباق الغراتين.
1. في وضع الاستعداد ، اضغط على زر الشواوية مرة واحدة.
 2. أدر قائمة/وقت الطلب لضبط وقت الطهي. وأقصى مدة هي 95 دقيقة.
 3. اضغط على زر START/QUICK START (بدء/بدء سريع) للتأكيد.

- تعمل الشواية وقتاً أطول من الميكروويف في وضع الطهي 1 المركب ، وتستخدم للأسماك والجراتين. لكن الميكروويف يعمل لفترة أطول من الشواء في وضع الطهي المركب 2 ، ويستخدم للحلوى والعجة والبطاطس المخبوزة والدواجن.
1. في وضع الاستعداد ، اضغط على زر الجمع مرة أو مرتين لتحديد "Co -1" أو "Co -2".
 2. أدر قائمة/وقت الطلب لضبط وقت الطهي. وأقصى مدة هي 95 دقيقة.
 3. اضغط على زر START/QUICK START (بدء/بدء سريع) للتأكيد.

التوضيح التلقائي

- ضع وعاء من 300 غرام من الماء في الفرن وأغلق الباب.
1. في وضع الاستعداد ، أدر القائمة/الطلب الزمني عكس اتجاه عقارب الساعة مرة واحدة ، ثم أدر القرص حتى تظهر الشاشة "A-19" و" AUTO".
 2. اضغط على زر ضبط الوزن مرة واحدة.
 3. اضغط على زر START/QUICK START (بدء/بدء سريع) لبدء الملاحظة: وقت التنظيف هو 10 دقائق.

قفل الأطفال

- استخدمه لمنع تشغيل الأطفال للفرن دون مراقبة.
- لإدخال قفل حماية الطفل: في وضع الاستعداد ، إذا لم يكن هناك أي تشغيل في غضون دقيقة واحدة ، سوف يدخل الفرن تلقائياً في وضع قفل الطفل وسوف يضيء مصباح مؤشر القفل. في حالة القفل ، يتم تعطيل جميع الأزرار. للإلغاء: في وضع قفل الطفل ، افتح أو أغلق باب الفرن لإلغاء البرنامج وسوف ينطفئ ضوء مؤشر القفل.

الطهي التلقائي

- بالنسبة لوضع الطعام أو الطهي التالي ، ليس من الضروري برمجة وقت الطهي وقوة الطهي. ويكفي تحديد نوع الطعام الذي ترغب في طهيه إلى جانب وزن أو حصص الطعام.
1. في وضع الاستعداد ، أدر القائمة/الطلب الزمني عكس اتجاه عقارب الساعة لتحديد رمز الطعام.
 2. اضغط على زر ضبط الوزن بشكل متكرر لتحديد وزن الطعام أو الوجبات.
 3. اضغط على زر START/QUICK START (بدء/بدء سريع) للتأكيد.

قوائم الطهي التلقائي:

الرمز	الطعام	الوزن/الكمية	الملاحظات:
A-01	الحليب/القهوة/الشاي (200 مل/كوب)	1 كوب	ستعرض الشاشة عدد الوجبات بدلاً من وزن الطعام
		2 كوب	
		3 أكواب	
A-02	سباغتي	100 جم	
		200 ج	
		300 ج	
A-03	مثير للجدل	100 جم	
		200 ج	

الرمز	الطعام	الوزن/الكمية	الملاحظات:
		300 ج	
A-04	إعادة التسخين التلقائي	200 ج	
		300 ج	
		400 ج	
		500 جم	
		600 ج	
		700 جم	
		800 جم	
A-05	سمك	200 ج	
		300 ج	
		400 ج	
		500 جم	
		600 ج	
A-06	الفشار	100 جم	
A-07	فرخة	800 جرام	أثناء الطهي ، سيتوقف الفرن لتذكير المستخدم بتحويل الطعام ، بعد ذلك اضغط على زر START/QUICK START (بدء التشغيل/بدء التشغيل السريع) للاستئناف
		1000 جرام	
		1200 جرام	
		1400 جرام	
A-08	لحم البقر/لحم الضأن	200 ج	
		300 ج	
		400 ج	
		500 جم	
		600 ج	
A-09	اللحوم المشوية	100 جم	أثناء الطهي ، سيتوقف الفرن لتذكير المستخدم بتحويل الطعام ، بعد ذلك اضغط على زر START/QUICK START (بدء التشغيل/بدء التشغيل السريع) للاستئناف
		200 ج	
		300 ج	
		400 ج	
		500 جم	
A-10	حساء	1	200 جم / وجبة
		2	
		3	
A-11	عصيدة – حريرة الشعير	50 غ	
		100 جم	
		150 جم	

الرمز	الطعام	الوزن/الكمية	الملاحظات:
A-12	الخضروات الطازجة	200 ج	
		300 ج	
		400 ج	
		500 جم	
		600 ج	
A-13	خضروات مجمدة	200 ج	
		300 ج	
		400 ج	
		500 جم	
		600 ج	
A-14	أرز	150 جم	
		300 ج	
		450 ج	
		600 ج	
A-15	بيتزا	150 جم	
		300 ج	
		450 ج	
A-16	أشوى السمك	200 ج	أثناء الطهي ، سيتوقف الفرن للتذكير المستخدم بتحويل الطعام ، بعد ذلك اضغط على زر START/QUICK START (بدء التشغيل/بدء التشغيل السريع) للاستئناف
		300 ج	
		400 ج	
		500 جم	
		600 ج	
A-17	لحم مشوي	100 جم	
		200 ج	
		300 ج	
A-18	السجق	100 جم	أثناء الطهي ، سيتوقف الفرن للتذكير المستخدم بتحويل الطعام ، بعد ذلك اضغط على زر START/QUICK START (بدء التشغيل/بدء التشغيل السريع) للاستئناف
		200 ج	
		300 ج	
		400 ج	
		500 جم	
A-19	التنظيف التلقائي/(سيكون الأداء عبارة عن قطرة ماء ممتلئة من داخل التجويف)		

تعتمد نتيجة الطهي التلقائي على عدة عوامل مثل شكل وحجم الطعام، وتفضيلاتك الشخصية المتعلقة بدرجة نضج أطعمة معينة وحتى وضع الطعام بشكل جيد بداخل الفرن. إذا لم تجد النتائج على أي حال مرضية بما يكفي، فيرجى ضبط مدة الطهي بمقدار ضئيل لمعالجة ذلك.

التنظيف والعناية

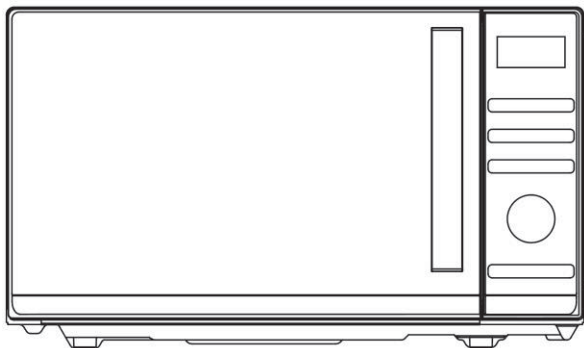
1. أوقف تشغيل الفرن وافصل سلك التيار الكهربائي عن مقبس الجدار عند التنظيف.
2. حافظ على نظافة الجزء الداخلي للفرن. عندما يتناثر الطعام أو تنسكب السوائل وتلتصق بجدران الفرن، امسحها بقطعة قماش مبللة. ويمكن استخدام المنظفات الخفيفة إذا كان الفرن شديد الاتساخ. تجنب استخدام الرذاذ أو المنظفات الأخرى القوية. فقد تسبب البقع أو العلامات أو تؤدي إلى بهتان لون سطح الباب.
3. يجب تنظيف الأسطح الخارجية للفرن بقطعة قماش مبللة. لمنع تلف أجزاء التشغيل بداخل الفرن، يجب عدم السماح بتسرب الماء إلى داخل فتحات التهوية.
4. امسح كلا جانبي الباب والنافذة، وموانع تسرب الباب والأجزاء المجاورة بشكل متكرر باستخدام قطعة قماش مبللة لإزالة أي بقايا طعام أو سوائل منسكبة. ولا تستخدم مادة تنظيف كاشطة.
5. يجب عدم استخدام منظف بالبخار.
6. لا تسمح بوصول الماء إلى لوحة التحكم. ونظفها بقطعة قماش ناعمة ومبللة. عند تنظيف لوحة التحكم، اترك باب الفرن مفتوحًا لمنع تشغيله من دون قصد.
7. إذا تراكم البخار بداخل باب الفرن أو حول الجزء الداخلي له، فامسحها بقطعة قماش ناعمة. فقد يحدث ذلك إذا تم تشغيل فرن الميكروويف في درجات رطوبة عالية. وهذا أمر طبيعي.
8. من الضروري إزالة الصينية الزجاجية من حين لآخر لتنظيفها. اغسل الصينية في ماء رغوي دافئ أو في غسالة الأطباق.
9. يجب تنظيف حلقة الأسطوانة وقاعدة الفرن بصفة منتظمة لتجنب الضوضاء الزائدة. امسح فقط السطح السفلي للفرن بمنظف خفيف. يمكن غسل حلقة الأسطوانة بماء فاتر وصابون أو في غسالة الأطباق. عند إزالة الأسطوانة الدائرية، احرص على إعادتها إلى وضعها الصحيح.
10. قم بإزالة الروائح من الفرن بمزج كوب ماء مع عصير وقشر ليمونة واحدة في وعاء صغير يمكن استخدامه داخل الميكروويف. ثم قم بتشغيل الميكروويف مدة 5 دقائق. وبعد ذلك امسح جميع أجزائه وجففها بقطعة قماش ناعمة.
11. إذا احترق مصباح الإضاءة، فيرجى الاتصال بخدمة العملاء لاستبداله.
12. ينبغي تنظيف الفرن بانتظام وإزالة أي رواسب للأطعمة. يمكن أن يؤدي الفشل في المحافظة على الفرن في حالة نظافة جيدة إلى تدهور السطح الذي يمكن أن يؤثر سلبًا على العمر الافتراضي للجهاز وربما ينطوي على خطورة.
13. يُرجى عدم التخلص من هذا الجهاز في حاوية النفايات المنزلية، حيث يجب التخلص منه في مركز التخلص من الأجهزة المعني الذي تحدده البلديات.
14. عند استخدام فرن الميكروويف المزود بوظيفة الشواية لأول مرة، فقد ينبعث بعض الدخان والرائحة. وهذا أمر طبيعي؛ لأن الفرن مصنوع من لوح فولاذي مطلي بزيت التشحيم، وسيصدر الفرن الجديد أدخنة ورائحة تنتج عن حرق زيت التشحيم. وسيختفي ذلك بعد مدة من الاستخدام.

تم وسم هذا الجهاز وفقًا للتوجيه الأوروبي EU/19/2012 بشأن لوائح نفايات المعدات الكهربائية والإلكترونية لعام 2013 المتعلقة بالأجهزة الكهربائية والإلكترونية (WEEE). تحتوي نفايات المعدات الكهربائية والإلكترونية والإلكترونية على كل من مواد ملوثة (تؤثر بشكل سلبي على البيئة) وعناصر أساسية (يمكن إعادة استخدامها). من المهم أن نتعرض نفايات المعدات الكهربائية والإلكترونية لعمليات معالجة محددة لإزالة الملوثات والتخلص منها بشكل صحيح واستعادة جميع المواد. يلعب الأفراد دورًا مهمًا لضمان ألا تتسبب نفايات المعدات الكهربائية والإلكترونية في مشكلة بيئية، ومن الضروري اتباع بعض القواعد الأساسية:



- يحظر التعامل مع نفايات المعدات الكهربائية والإلكترونية كنفايات منزلية؛
 - يتعين أخذ نفايات المعدات الكهربائية والإلكترونية إلى مناطق التجميع المخصصة التي يديرها مجلس المدينة أو شركة مسجلة.
- في العديد من الدول، قد تتاح مراكز محلية لتجميع نفايات المعدات الكهربائية والإلكترونية الضخمة. عندما تشتري جهازًا جديدًا، يمكن إعادة الجهاز القديم إلى البائع الذي يجب عليه قبوله دون مقابل كإجراء لمرة واحدة، طالما كان الجهاز من ذات النوع ولديه ذات وظائف الجهاز الذي تم شراؤه.

Návod k obsluze mikrovlnné trouby



Model: CMGA20TNDB

Před instalací a obsluhou trouby si pečlivě přečtěte tento návod.

Haier Europe <small>CANDY</small> <small>Haier</small>	PT ☎ 707 200 188 210 010 773	IT ☎ 02 400 48 200	ES ☎ 902 100 150 943 914 150	DE ☎ 0800 500 48 48
BE ☎ LU ☎ 02 752 94 10	NL ☎ 33 422 4000	AT ☎ 0820 220 224	GR ☎ 801 11 50 50 50	CH ☎ 0848 780 780

70017948

OBSAH

OPATŘENÍ K ZABRÁNĚNÍ MOŽNÉMU VYSTAVENÍ NADMĚRNÉ MIKROVLNNÉ ENERGII	3
DŮLEŽITÉ BEZPEČNOSTNÍ POKYNY	3
INSTALAČNÍ PŘÍRUČKA.....	6
POKYNY K UZEMNĚNÍ.....	6
RÁDIOVÉ RUŠENÍ.....	7
PŘED VYŽÁDÁNÍM SLUŽBY	7
TECHNIKY VAŘENÍ.....	7
PRŮVODCE KUCHYŇSKÝM NÁČINÍM.....	8
SPECIFIKACE.....	9
DIAGRAM PRODUKTU	9
OVLÁDACÍ PANEL.....	10
PROVOZNÍ POKYNY	11
NASTAVENÍ ČASU HODIN	11
EXPRESNÍ VAŘENÍ	11
MIKROVLNNÉ VAŘENÍ	11
ČAS ROZMRAZOVÁNÍ	12
AUTOMATICKÉ ODMRAZOVÁNÍ	12
GRIL	13
KOMBINOVANÉ VAŘENÍ	13
DĚTSKÁ POJISTKA	13
AUTOMATICKÉ VAŘENÍ	13
ČIŠTĚNÍ A PÉČE	17

OPATŘENÍ K ZABRÁNĚNÍ MOŽNÉMU VYSTAVENÍ NADMĚRNÉ MIKROVLNNÉ ENERGII

1. Nepokoušejte se používat tuto troubu s otevřenými dvířky, protože provoz s otevřenými dvířky může mít za následek škodlivé vystavení mikrovlnné energii. Je důležité, abyste neporazili bezpečnostní zámky ani s nimi nemanipulovali.
2. Mezi přední stěnu trouby a dvířka neumísťujte žádné předměty, ani nedovolte, aby se na těsnících plochách hromadila špína nebo zbytky čisticího prostředku.
3. Pokud je trouba poškozená, nepoužívejte ji. Je velmi důležité, aby se dvířka trouby správně zavírala a aby nedošlo k poškození
 - a) Dvířka (včetně jakýchkoli ohnutých),
 - b) Závěsy a západky (prasklé nebo uvolněné),
 - c) Těsnění dvířek a těsnící plochy.
4. Roura by neměla být seřizována ani opravována nikým jiným než kvalifikovaným servisním personálem.

DŮLEŽITÉ BEZPEČNOSTNÍ POKYNY

Při používání elektrického spotřebiče je třeba dodržovat základní bezpečnostní opatření, včetně následujících:

UPOZORNĚNÍ! Pro snížení rizika popálenin, úrazu elektrickým proudem, požáru, zranění osob nebo vystavení nadměrné mikrovlnné energii:

1. Před použitím spotřebiče si přečtete celý návod a uschovejte jej pro budoucí použití.
2. Tento spotřebič používejte pouze pro zamýšlené použití, jak je popsáno v návodu. V tomto spotřebiči nepoužívejte korozivní chemikálie ani páry. Tento typ trouby je speciálně určen k ohřevu, vaření nebo sušení potravin. Není určen pro průmyslové nebo laboratorní použití.
3. Neprovozujte troubu, pokud je prázdná.
4. Nepoužívejte tento spotřebič, pokud má poškozený kabel nebo zástrčku, pokud nepracuje správně nebo pokud byl poškozen nebo spadl. Pokud je napájecí kabel poškozen, musí být vyměněn výrobcem, jeho servisním technikem nebo podobně kvalifikovanou osobou, aby se zabránilo nebezpečí.
5. **UPOZORNĚNÍ!** Děti smí používat troubu bez dozoru pouze tehdy, pokud jim byly poskytnuty odpovídající pokyny, aby mohly troubu používat bezpečným způsobem a pochopily nebezpečí spojené s nesprávným použitím.

6. **UPOZORNĚNÍ!** Pokud je spotřebič provozován v kombinovaném režimu, děti by vzhledem k generovaným teplotám měly používat troubu pouze pod dohledem dospělých.
7. Pro snížení rizika požáru uvnitř trouby:
 - Při ohřívání potravin v plastových nebo papírových nádobách sledujte troubu kvůli možnosti vznícení.
 - Před vložením sáčku do trouby odstraňte z papíru nebo plastových sáčků drátěné uzávěry.
 - Pokud se vyskytne kouř, ihned vypněte spotřebič a zástrčku vytáhněte ze zásuvky, dvířka nechte otevřená a případný oheň uhasťte.
 - Nepoužívejte vnitřní prostor trouby pro skladování. Nenechávejte uvnitř papírové výrobky, kuchyňské náčiní nebo potraviny, pokud nejsou používány.
 - Mikrovlnná trouba je určena k ohřevu jídla a nápojů. Sušení oděvů a ohřívání zahřívacích podložek, pantoflí, hub, vlhkých hadrů a podobných předmětů může způsobit poranění, vznícení či požár.
8. **UPOZORNĚNÍ!** Tekutiny nebo jiné potraviny nesmí být zahřívány v uzavřených nádobách, protože mohou explodovat.
9. Mikrovlnné ohřívání nápojů může vést k jejich opožděnému bublajícímu vaření, proto při manipulaci s těmito nápoji dbejte zvýšené opatrnosti.
10. Jídlo v troubě nesmažte. Horký olej může poškodit části trouby a kuchyňské potřeby a dokonce může způsobit popáleniny kůže.
11. Vajíčka ve skořápce a vajíčka vařená natvrdo by se neměla ve spotřebiči ohřívát, protože mohou explodovat i po dokončení mikrovlnného ohřevu.
12. Potraviny s tvrdou kůrou před vařením propíchněte, např. brambory, dýně, jablka a kaštany.
13. Obsah kojeneckých lahví a lahviček s dětskou výživou je třeba před použitím promíchat nebo s nimi zatřepat, abyste tak předešli popáleninám.
14. Náčiní na vaření se mohou zahřát v důsledku tepla přenášeného z ohřívání jídla. Pro manipulaci s náčiním mohou být zapotřebí kuchyňské chňapky.
15. Kuchyňské náčiní je třeba zkontrolovat, aby se zajistilo, že je vhodné k použití v mikrovlnných troubách.
16. **UPOZORNĚNÍ!** Je nebezpečné pro kohokoli jiného než kvalifikovaného opraváře provádět jakýkoli servis nebo opravy, které zahrnují demontáž krytu, který ochraňuje proti expozici mikrovlnné energii.
17. Tato mikrovlnná trouba je v souladu s normou EN 55011/CISPR 11, v této normě patří do třídy B skupiny 2. Zařízení skupiny 2: skupina 2 obsahuje všechna radiofrekvenční zařízení ISM, ve kterých se úmyslně vyrábí a používá radiofrekvenční energie ve frekvenčním rozsahu 9 kHz až 400 GHz, nebo se používá pouze lokálně ve formě elektromagnetického záření, indukčního a/nebo kapacitního spojení na úpravu materiálu, na účely inspekce/analýzy nebo pro přenos elektromagnetické energie. Zařízení třídy B je zařízení vhodné pro použití v obytných prostorách a v zařízeních přímo napojených na nízkonapěťovou elektrickou síť, která napájí budovy používané pro domácí účely.
18. Tento spotřebič nesmějí používat osoby (včetně dětí) se sníženými fyzickými, smyslovými nebo duševními schopnostmi nebo nedostatečnými zkušenostmi a znalostmi, pokud nejsou pod dohledem osoby odpovědné za jejich bezpečnost nebo nebyly touto osobou poučeny ohledně používání spotřebiče.
19. Děti by měly být dohledem, aby se zajistilo, že si se spotřebičem nebudou hrát.

20. Mikrovlnná trouba se používá pouze jako volně stojící.
21. **UPOZORNĚNÍ!** Neinstalujte troubu na horní panel sporáku ani jiné zařízení vydávající teplo. Pokud byla nainstalována, mohla by se poškodit a záruka by byla zrušena.
22. Mikrovlnná trouba nesmí být umístěna ve skříni.
23. Dvířka nebo vnější povrch se mohou při provozu spotřebiče zahřát.
24. **UPOZORNĚNÍ!** Přístupné části se mohou během používání zahřát. Malé děti by měly být drženy v dostatečné vzdálenosti.
25. Během používání se spotřebiče zahřejí. Dávejte pozor, abyste se nedotkli topných prvků ploténky a na pečení uvnitř trouby.
26. Teplota přístupných povrchů může být při provozu spotřebiče vysoká.
27. Spotřebič nesmí používat děti nebo osoby se sníženými fyzickými, smyslovými nebo duševními schopnostmi nebo s nedostatkem zkušeností a znalostí, pokud nebyly pod dohledem nebo poučeny.
28. **UPOZORNĚNÍ!** Pokud jsou dvířka nebo těsnění dvířek poškozena, trouba nesmí být v provozu, dokud ji neopraví kvalifikovaná osoba.
29. Spotřebiče nejsou určeny k ovládní pomocí externího časovače nebo samostatného systému dálkového ovládní.
30. Mikrovlnná trouba je určena pouze pro použití v domácnosti a ne pro komerční použití.
31. Nikdy neodstraňujte distanční lištu, která se nachází zezadu a na stranách, protože zajišťuje minimální vzdálenost od stěny pro cirkulaci vzduchu.
32. Před přesunem spotřebiče zajistěte otočný talíř, abyste předešli jeho poškození.
33. **POZOR!** Je nebezpečné, jestliže spotřebič opravuje nebo servisuje osoba, která není specialistou, protože za těchto okolností je třeba odstranit kryt, který zajišťuje ochranu před mikrovlnným zářením. To platí i pro výměnu napájecího kabelu nebo osvětlení. Spotřebič v těchto případech odešlete do našeho servisního střediska.
34. Mikrovlnná trouba je určena pouze k rozmrazování, vaření a vaření v páře.
35. Při vybírání jakéhokoli zahřátého jídla používejte rukavice.
36. Pozor! Při otevírání víček nebo balicí fólie unikne pára.
37. Tento spotřebič smějí používat děti starší 8 let a osoby se sníženými fyzickými, smyslovými nebo duševními schopnostmi nebo bez patřičných zkušeností a znalostí, pokud jsou pod dohledem osoby odpovědné za jejich bezpečnost, případně byly poučeny o bezpečném používání spotřebiče a rozumějí možným nebezpečím. Děti si se spotřebičem nesmějí hrát. Čištění a údržbu uživatele nesmějí provádět děti, pokud nejsou starší 8 let a nejsou pod dohledem.
38. Pokud ze spotřebiče vychází kouř, vypněte nebo odpojte jej a nechte dvířka zavřená, aby se případné plameny uhasily.

INSTALAČNÍ PŘÍRUČKA

1. Ujistěte se, že jste z vnitřního prostoru trouby vyjmuli veškerý obalový materiál.
2. **UPOZORNĚNÍ!** Zkontrolujte, zda není trouba nějakým způsobem poškozená, například zda nejsou nevyrovnaná nebo zkřivená dvířka, poškozené nebo uvolněné dveřní závěsy, západky a ozuby uvnitř trouby nebo na dvířkách. Pokud dojde k poškození, troubu nepoužívejte a kontaktujte kvalifikovaný servisní personál.
3. Tato mikrovlnná trouba musí být umístěna na rovném, stabilním povrchu, aby udržela svou hmotnost a nejtěžší potraviny, které mohou být v troubě vařeny.
4. Neumísťujte troubu blízko tepelných zdrojů, na místa se zvýšenou vlhkostí nebo v blízkosti hořlavých materiálů.
5. Pro správnou funkci musí mít trouba dostatečný průtok vzduchu. Ponechte minimálně 20 cm volného prostoru nad horním povrchem trouby a 5 cm na obou stranách. Zadní plech mikrovlnné trouby musí být umístěna blízko stěny. Nezakrývejte ani neblokuje žádné otvory na spotřebiči. Neodstraňujte nožky.
6. Nepoužívejte troubu, jestliže skleněný talíř, válečkový prstenec, podpěra a hřidel nejsou na svém řádném místě.
7. Ujistěte se, že napájecí kabel není poškozený a není umístěn pod troubou ani na horkém nebo ostrém povrchu.
8. Zásuvka musí být snadno přístupná, aby ji bylo možné v případě nouze snadno odpojit.
9. Nepoužívejte troubu venku.

POKYNY K UZEMNĚNÍ

Tento spotřebič musí být uzemněn. Tato trouba je vybavena kabelem se zemnicím vodičem se zemnicí zástrčkou. Musí být zapojen do zásuvky, která je správně nainstalována a uzemněna. V případě elektrického zkratu snižuje uzemnění riziko úderu elektrickým proudem poskytnutím drátu, po kterém může odtéci elektrický proud. Doporučuje se, aby byl zajištěn samostatný okruh sloužící pouze troubě. Použití vysokého napětí je nebezpečné a může mít za následek požár nebo jinou nehodu způsobující poškození trouby.

UPOZORNĚNÍ! Nesprávné použití uzemňovací zástrčky může vést k riziku úrazu elektrickým proudem. Poznámka:

1. Máte-li jakékoli dotazy týkající se uzemnění nebo elektrických pokynů, poradte se s kvalifikovaným elektrikářem nebo servisním technikem.
2. Výrobce ani prodejce nemohou nést žádnou odpovědnost za poškození trouby nebo zranění osob v důsledku nedodržení postupů elektrického připojení.

Dráty v tomto hlavním kabelu jsou barevné podle následujícího kódu:

Zelená a žlutá = UZEMNĚNÍ

Modrá = NEUTRÁL

Hnědá = FÁZE

RÁDIOVÉ RUŠENÍ

Provoz mikrovlnné trouby může způsobit rušení rádia, televize nebo podobného zařízení. Pokud dojde k rušení, může být sníženo nebo eliminováno následujícími opatřeními:

1. Vyčistěte dvířka a těsnící povrch trouby.
2. Přesměřujte přijímací anténu rádia nebo televize.
3. Přemístěte mikrovlnnou troubu s ohledem na přijímač.
4. Přesuňte mikrovlnnou troubu od přijímače.
5. Zapojte napájecí kabel počítače do jiné zásuvky tak, aby počítač a přijímač byly připojeny k různým větvím obvodu.

PŘED VYŽÁDÁNÍM SLUŽBY

Než požádáte o servis, zkontrolujte každou položku níže:

- Zkontrolujte, zda je trouba bezpečně zapojena. Pokud ne, vytáhněte zástrčku ze zásuvky, počkejte 10 sekund a znovu ji bezpečně zapojte.
- Zkontrolujte, zda není spálená pojistka obvodu nebo zda není vypnutý hlavní jistič. Pokud se zdá, že fungují správně, otestujte zásuvku jiným spotřebičem.
- Zkontrolujte, zda je ovládací panel správně naprogramován a časovač je nastaven.
- Zkontrolujte, zda jsou dvířka bezpečně zavřená s použitím systému zámku dvířek. Pokud nejsou dvířka správně zavřená, mikrovlnná energie nebude uvnitř proudit.

POKUD NIC Z VÝŠE UVEDENÉHO NEVYŘEŠÍ PROBLÉM, OBRAŤTE SE NA KVALIFIKOVANÉHO TECHNIKA. NESNAŽTE SE TROUBU UPRAVOVAT ANI OPRAVOVAT SAMI.

TECHNIKY VAŘENÍ

1. Opatrně připravte jídlo. Nejsilnější oblasti umístěte směrem k vnější straně nádoby.
2. Sledujte dobu přípravy pokrmu. Vařte co nejkratší dobu a podle potřeby přidejte další. Hodně převařené jídlo může kouřit nebo se i vznítit.
3. Během vaření zakryjte jídlo. Kryty zabraňují stříkání a pomáhají rovnoměrnému vaření jídla.
4. Během vaření s mikrovlnami jídlo jako kuře a hamburgery ke zrychlení vaření obraťte. Velké kusy, jako jsou pečeně, musí být otočeny alespoň jednou.
5. Jídlo jako masové kuličky uprostřed vaření promíchejte tak, aby se kuličky zdola dostaly nahoru a kuličky ze středu talíře na okraj.

PRŮVODCE KUCHYŇSKÝM NÁČINÍM

1. Mikrovlny nemohou procházet kovem. Používejte pouze nádobí vhodné pro použití v mikrovlnných troubách. Pro přípravu pokrmů a nápojů v mikrovlnné troubě nesmí být použity kovové nádoby. Tento požadavek neplatí, pokud výrobce uvede velikost a tvar kovových nádob vhodných pro vaření v mikrovlnné troubě.
2. Mikrovlny nemohou procházet kovem, nepoužívejte proto kovové nádobí nebo talíře s kovovým okrajem.
3. Při vaření s mikrovlnami nepoužívejte výrobky z recyklovaného papíru, mohou totiž obsahovat malé úlomky kovu, které by mohly při použití v troubě způsobit jiskření i požár.
4. Doporučujeme zvolit raději kulaté nebo oválné nádoby, protože ve čtvercových nebo obdélníkových se může jídlo v rozích přehřívat.
5. Úzké pásy hliníkové fólie lze použít k zabránění přehřátí exponovaných ploch. Ale buďte opatrní, nepoužívejte příliš mnoho a udržte vzdálenost 2,54 cm mezi fólií a stěnou.

Níže uvedený seznam je obecným návodem, který vám pomůže vybrat správné nádobí.

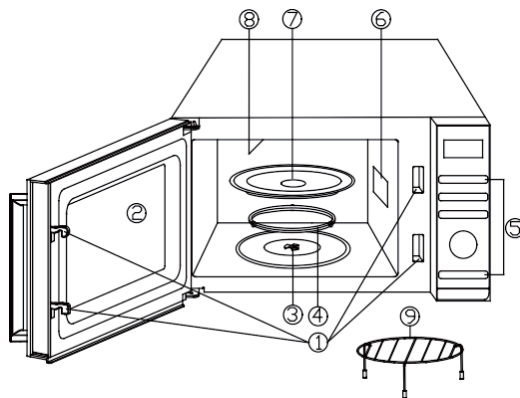
NÁDOBÍ	MIKROVLNÝ	GRIL	KOMBINOVANÉ VAŘENÍ
Tepelně odolné sklo	Ano	Ano	Ano
Sklo, které není tepelně odolné	Ne	Ne	Ne
Tepelně odolná keramika	Ano	Ano	Ano
Plastové nádobí bezpečné pro mikrovlnnou troubu	Ano	Ne	Ne
Kuchyňský papír	Ano	Ne	Ne
Kovový talíř	Ne	Ano	Ne
Kovový stojan	Ne	Ano	Ne
Hliníkové fólie a fóliové obaly	Ne	Ano	Ne

SPECIFIKACE

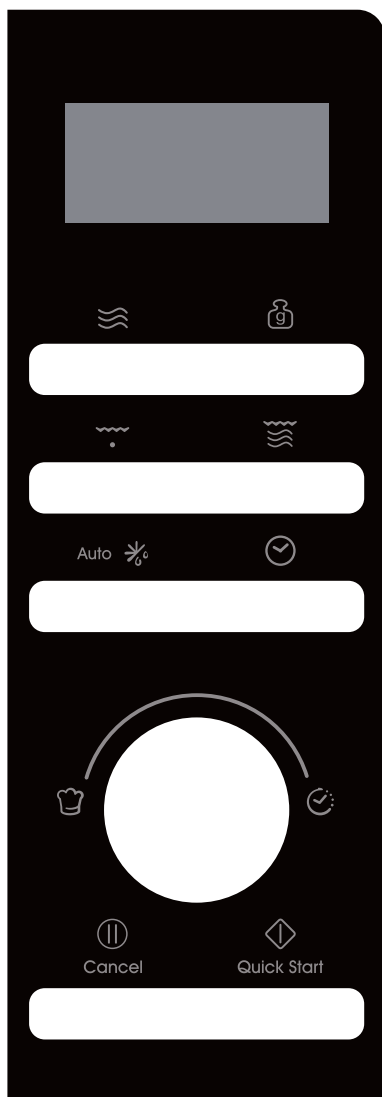
Spotřeba:	230-240 V/50 Hz, 1200 W (mikrovlnná trouba) 900 W (gril)
Jmenovitý výkon mikrovlnné trouby:	700 W
Provozní frekvence:	2450 MHz
Vnější rozměry:	262 mm (V) × 452 mm (Š) × 357 mm (H)
Rozměry vnitřní části trouby:	198 mm (V) × 315 mm (Š) × 297 mm (H)
Objem trouby:	20 litrů
Čistá hmotnost:	Přibližně 11,3 kg

DIAGRAM PRODUKTU

1. Systém bezpečnostního zámku dvířek
2. OKÉNKO TROUBY
3. Hřídel
4. Válečkový prstenec
5. Ovládací panel
6. Průvodce vlnami (Neodstraňujte slídovou destičku zakrývající vlnovod)
7. Skleněný talíř
8. Ohřívač grilu
9. Kovový stojan



OVLÁDACÍ PANEĽ



● OBRAZOVKA AKCE MENU

Zobrazujú sa ukazatele času vaření, výkonu a akce.

● POWER

Stisknutím nastavíte úroveň výkonu mikrovlnné príprava pokrmů.

● NASTAVENÍ HMOTNOSTI

Stisknutím tlačítka nastavíte hmotnost jídla nebo porce.

● GRIL

Stisknutím tlačítka nastavíte program grilování.

● KOMBINACE

Stisknutím tlačítka nastavíte kombinovaný program vaření.

● AUTOMATICKÉ ODMRAZOVÁNÍ

Auto 

Jedním stisknutím rozmrazíte potraviny podle času. Dvakrát stiskněte tlačítko pro rozmrazení potravín podle hmotnosti.

● CLOCK

Stisknutím nastavíte čas hodin.

● MENU/ČAS (vytáčení)

Otočením voliče nastavte čas. Otáčením voliče vyberte nabídku automatického vaření.

● PAUZA/ZRUŠIT Cancel


Jednou stiskněte pro dočasné zastavení vaření nebo dvakrát pro úplné zrušení vaření.

● START/RYCHLÝ START Quick Start

Stisknutím tlačítka spustíte programy vaření a rozmrazování.

Jednoduše jej několikrát stiskněte, abyste nastavili dobu přípravy pokrmu a vařili okamžitě na plné úrovni výkonu.

PROVOZNÍ POKYNY

- Při prvním zapojení trouby zazní zvukový signál a na displeji se zobrazí "1:01" a .
- Během nastavování přerušeno na asi 25 sekund se trouba vrátí do pohotovostního režimu.
- Pokud během vaření jednou stisknete tlačítko PAUZA/ZRUŠIT, program se pozastaví, poté stisknete tlačítko START/QUICK START pro pokračování. Pokud však dvakrát stisknete tlačítko PAUSE/CANCEL, program se zruší.
- Po skončení vaření se na displeji zobrazí End a každé dvě minuty zazní zvukový signál, dokud uživatel nestiskne tlačítko PAUSE/CANCEL nebo neotevře dvířka.
- Při provozu stisknete platné tlačítko, bzučák zazvoní jednou, ale pokud stisknete neplatné tlačítko, bzučák zazvoní dvakrát.
- Elektronicky ovládaný systém mikrovlnné trouby má funkci chlazení. V režimu pečení, který trvá déle než 2 minuty, se po ukončení pečení otevřou dvířka trouby nebo se program pečení pozastaví, ventilátor trouby bude pracovat asi 3 minuty automaticky, aby se trouba ochladila a prodloužila se tak její životnost.
- Pozor!-Pokud je doba vaření delší než 2 minuty, chladicí ventilátor se automaticky spustí asi na 3 minuty.

NASTAVENÍ ČASU HODIN

Jedná se o 12- a 24hodinové hodiny, stisknutím tlačítka CLOCK v pohotovostním režimu můžete nastavit čas ve 12- nebo 24hodinovém cyklu.

1. V pohotovostním režimu opakovaným stisknutím tlačítka CLOCK zvolte 12hodinové nebo 24hodinové hodiny.
2. Otočením voliče MENU/ČAS nastavte číslici hodiny.
3. Stiskněte jednou tlačítko CLOCK.
4. Otočením voliče MENU/ČAS nastavte číslici minuty.
5. Jednou stiskněte tlačítko CLOCK pro potvrzení.

POZNÁMKA: Během vaření můžete zkontrolovat aktuální čas stisknutím tlačítka CLOCK.

EXPRESNÍ VAŘENÍ

Pomocí této funkce můžete troubu pohodlně naprogramovat na mikrovlnné ohřevy při 100% výkonu. V pohotovostním režimu stačí opakovaně stisknout tlačítko START/QUICK START a nastavit dobu pečení (každé stisknutí prodlouží dobu pečení o 30 sekund až na 10 minut), trouba začne automaticky pracovat na plný výkon.

MIKROVLNNÉ VAŘENÍ

1. V pohotovostním režimu opakovaným stisknutím tlačítka POWER zvolte úroveň výkonu.
2. Otočením voliče MENU/ČAS nastavte dobu vaření ve směru hodinových ručiček. Nejdelší doba je 95 minut.
3. Pro potvrzení stiskněte tlačítko START/RYCHLÝ START.

Stisknutím tlačítka POWER zvolte úroveň výkonu:

Stiskněte tlačítko POWER	Výkon (displej)	Stiskněte tlačítko POWER	Výkon (displej)
Jen jednou	100% (100)	7krát	40% (40)
Dvakrát	90% (90)	8krát	30% (30)
3krát	80% (80)	9krát	20% (20)
4krát	70% (70)	10 krát	10% (10)
5krát	60% (60)	11krát	00% (00)
6krát	50% (50)		

POZNÁMKA: Během vaření můžete zkontrolovat úroveň výkonu vaření stisknutím tlačítka POWER.

ČAS ROZMRAZOVÁNÍ

1. V pohotovostním režimu stiskněte jednou tlačítko AUTOMATICKÉ ODMRAZOVÁNÍ.
2. Otočením voliče MENU/ČAS nastavte dobu rozmrazování. Nejdelší doba je 95 minut.
3. Pro potvrzení stiskněte tlačítko START/Rychlý start.

POZNÁMKA: Během rozmrazovacího programu se systém zastaví a zazní zvukový signál, aby uživateli připomněl otočení jídla, a poté stiskněte tlačítko START/Rychlý start pro pokračování.

AUTOMATICKÉ ODMRAZOVÁNÍ

Po naprogramování hmotnosti potravin se automaticky nastaví doba rozmrazování a úroveň výkonu. Hmotnost zmrazených potravin se pohybuje od 100 g do 1800 g.

1. V pohotovostním režimu stiskněte dvakrát tlačítko AUTOMATICKÉ ODMRAZOVÁNÍ.
2. Opakovaným stisknutím tlačítka WEIGHT ADJUST zvolte hmotnost potravin.
3. Pro potvrzení stiskněte tlačítko START/Rychlý start.

POZNÁMKA: Během rozmrazování se systém pozastaví a zvukovým signálem připomene uživateli, aby potraviny otočil a poté stisknutím tlačítka START/Quick start pokračovat.

GRIL

Grilování je zvlášť vhodné pro tenké plátky masa, bifteky, řízky, kebaby, uzeniny a kousky kuřete. Je také vhodné pro teplé sendviče a gratinovaná jídla.

1. V pohotovostním režimu stiskněte jednou tlačítko GRIL.
2. Otočením voliče MENU/ČAS nastavte dobu vaření. Nejdelší doba je 95 minut.
3. Pro potvrzení stiskněte tlačítko START/Rychlý Start.

KOMBINOVANÉ VAŘENÍ

Gril funguje déle než mikrovlnná trouba v režimu přípravy pokrmu kombinované vaření 1, použití pro ryby a gratinování. Ale mikrovlnná trouba funguje déle než gril v režimu přípravy pokrmu kombinované vaření 2, použití pro pudink, omelety, pečené brambory a drůbež.

1. V pohotovostním režimu stiskněte jednou nebo dvakrát tlačítko COMBINATION a vyberte "Co-1" nebo "Co-2".
2. Otočením voliče MENU/ČAS nastavte dobu vaření. Nejdelší doba je 95 minut.
3. Pro potvrzení stiskněte tlačítko START/Rychlý Start.

AUTOMATICKÉ ČIŠTĚNÍ

Do trouby vložte misku s 300 g vody a zavřete dvířka.

4. V pohotovostním režimu otočte jednou voličem MENU/TIME proti směru hodinových ručiček a poté jím otáčejte, dokud se na displeji nezobrazí "A-19" a "AUTO".
5. Jednou stiskněte tlačítko WEIGHT ADJUST.
6. Stiskněte tlačítko START/Quick Start pro spuštění.

POZNÁMKY: Doba čištění je 10 minut.

DĚTSKÁ POJISTKA

Používejte tak, abyste zabránili dětem v obsluze trouby bez dozoru.

Vstup do dětské pojistky: Pokud v pohotovostním režimu neprovedete do jedné minuty žádnou operaci, trouba automaticky přejde do režimu dětské pojistky a rozsvítí se kontrolka pojistky. Ve stavu dětské pojistky jsou všechna tlačítka deaktivována.

Zrušení: V režimu dětské pojistky otevřete nebo zavřete dvířka trouby, abyste program zrušili, a kontrolka pojistky zhasne.

AUTOMATICKÉ VAŘENÍ

Pro následující jídlo nebo režim vaření není nutné programovat dobu vaření a výkon vaření. Stačí uvést druh pokrmu, které chcete vařit, a také hmotnost nebo porce pokrmu.

1. V pohotovostním režimu otočte voličem MENU/ČAS proti směru hodinových ručiček a zvolte kód jídla.

2. Opakovaným stisknutím tlačítka WEIGHT ADJUST zvolte hmotnost jídla nebo porce.
3. Pro potvrzení stiskněte tlačítko START/RYCHLÝ START.

Nabídky automatického vaření:

Kód	Pokrm	Hmotnost/ Množství	Poznámka
A-01	Mléko/káva/čaj (200 ml/šálek)	1 šálek	Na displeji se místo hmotnosti potravin zobrazí počet porcí
		2 šálky	
		3 šálky	
A-02	špagety	100 g	
		200 g	
		300 g	
A-03	Brambor	100 g	
		200 g	
		300 g	
A-04	Automatický ohřev	200 g	
		300 g	
		400 g	
		500 g	
		600 g	
		700 g	
		800 g	
A-05	Ryby	200 g	
		300 g	
		400 g	
		500 g	
		600 g	
A-06	pražená kukuřice	100 g	
A-07	Kuře	800 g	Během pečení se trouba zastaví, aby uživateli připomněla, že má jídlo otočit, a poté stiskněte tlačítko START/QUICK START pro pokračování v pečení
		1000 g	
		1200 g	
		1400 g	
A-08	Hovězí/maso	200 g	
		300 g	
		400 g	

Kód	Pokrm	Hmotnost/ Množství	Poznámka
		500 g	
		600 g	
A-09	Maso na špízu	100 g	Během pečení se trouba zastaví, aby uživatelé připomněla, že má jídlo otočit, a poté stisknete tlačítko START/QUICK START pro pokračování v pečení
		200 g	
		300 g	
		400 g	
		500 g	
A-10	Polévka	1	200 g/porce
		2	
		3	
A-11	Kaše	50 g	
		100 g	
		150 g	
A-12	Čerstvá zelenina	200 g	
		300 g	
		400 g	
		500 g	
		600 g	
A-13	Mražená zelenina	200 g	
		300 g	
		400 g	
		500 g	
		600 g	
A-14	Rýže	150 g	
		300 g	
		450 g	
		600 g	
A-15	Pizza	150 g	
		300 g	
		450 g	

Kód	Pokrm	Hmotnost/ Množství	Poznámka
A-16	Grilovaná ryba *	200 g	Během pečení se trouba zastaví, aby uživateli připomněla, že má jídlo otočit, a poté stiskněte tlačítko START/QUICK START pro pokračování v pečení
		300 g	
		400 g	
		500 g	
		600 g	
A-17	Grilovaná slanina	100 g	
		200 g	
		300 g	
A-18	Uzenky	100 g	Během pečení se trouba zastaví, aby uživateli připomněla, že má jídlo otočit, a poté stiskněte tlačítko START/QUICK START pro pokračování v pečení
		200 g	
		300 g	
		400 g	
		500 g	
A-19	Autoclean/(výkon by byl kapka vody plná vnitřku dutiny)		

Výsledek automatického vaření závisí na tvaru a velikosti jídla, na tom, jak chcete, aby byla některá jídla důkladně propečena a dokonce i na tom, jak dobře umístíte jídlo do trouby. Pokud shledáte, že výsledek není v žádném případě zcela uspokojivý, jemně upravte dobu přípravy pokrmu odpovídajícím způsobem.

ČIŠTĚNÍ A PÉČE

1. Vypněte troubu a při čištění odpojte napájecí kabel ze zásuvky.
2. Udržujte vnitřek trouby čistý. Vystříknuté jídlo nebo rozlité tekutiny stačí setřít vlhkým hadříkem. Pokud je trouba velmi znečištěna, je možné použít i jemný čisticí prostředek. Nepoužívejte sprej ani jiné silné čisticí prostředky. Mohou zanechat na povrchu dvířek skvrny, šmouhy nebo ho mohou zmatnit.
3. Vnější povrch trouby by měl být vyčištěn vlhkým hadříkem. Aby nedošlo k poškození vnitřních stěn mikrovlnné trouby, dbejte na to, aby se do průduchů nedostala voda.
4. Vlhkým hadříkem často otírejte dvířka a okénko po obou stranách, těsnění dvířek a přilehlé části, abyste odstranili všechny stříkance a rozlití jídel. Nepoužívejte abrazivní čisticí prostředek.
5. Parní čistič se nepoužívá.

6. Nedovolte, aby se ovládací panel namočil. Vyčistěte měkkým, vlhkým hadříkem. Při čištění ovládacího panelu nechte otevřená dvířka trouby, aby nedošlo k náhodnému zapnutí trouby.
7. Pokud se pára nahromadí uvnitř nebo kolem dvířek trouby, otřete ji měkkým hadříkem. K tomu může dojít, pokud je mikrovlnná trouba provozována při vysoké vlhkosti. Je to běžný jev.
8. Občas je nutné vyjmout skleněný talíř a vyčistit jej. Umyjte talíř v teplé mýdlové vodě nebo v myčce.
9. Válečkový prstenec a dno trouby je třeba pravidelně čistit, aby nedocházelo k nadměrnému hluku. Jednoduše otřete dno trouby jemným čistícím prostředkem. Válečkový prstenec lze umýt v jemné mýdlové vodě nebo v myčce. Při demontáži válečkového prstence jej nezapomeňte nasadit ve správné poloze.
10. Zápach z trouby odstraní kombinací šálky vody se šťávou a kůží jednoho citronu v misce do mikrovlnné trouby. Zapněte mikrovlnnou troubu na 5 minut. Důkladně ji otřete a vysušte měkkým hadříkem.
11. Pokud se vypálí žárovka, požádejte zákaznický servis o její výměnu.
12. Trouba by měla být pravidelně čistěna a veškeré zbytky potravin by měly být odstraněny. Neudržování trouby v čistém stavu může vést k poškození povrchu, které by mohlo nepříznivě ovlivnit životnost zařízení a způsobit nebezpečí.
13. Tento spotřebič nevyhazujte do domácího odpadu. Měl by být zlikvidován ve speciálním sběrném dvoře, který zřídila obec.
14. Při prvním použití mikrovlnné trouby s funkcí grilu se může vytvořit mírný kouř a zápach. Je to běžný jev, protože trouba je vyrobena z ocelového plechu potaženého mazacím olejem a nová trouba bude produkovat výpary a zápach, který vzniká spalováním mazacího oleje. Tento jev zmizí po určité době používání.



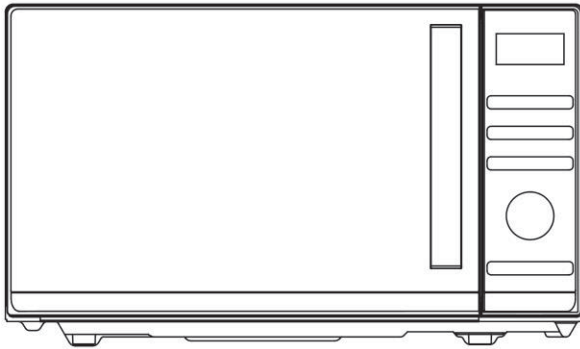
Tento spotřebič je označen v souladu s Evropskou směrnicí 2012/19/EU o odpadních elektrických a elektronických zařízeních z roku 2013, která se týká elektrických a elektronických zařízení (OEEZ). OEEZ obsahuje znečišťující látky (které mohou mít negativní dopad na životní prostředí) i základní prvky (které lze znovu použít). Je důležité, aby OEEZ prošel specifickými úpravami, a znečišťující látky tak byly správně odstraněny a zlikvidovány, a aby byly obnoveny všechny materiály. Jednotlivci mohou hrát

důležitou roli při zajišťování toho, aby se OEEZ nestal zátěží pro životní prostředí. Je nezbytné dodržovat několik základních pravidel:

- OEEZ se nesmí likvidovat jako domovní odpad;
- OEEZ by měl být odvezen do vyhrazených sběrných oblastí spravovaných městskou radou nebo registrovanou společností.












V případě objemného OEEZ mohou být v mnoha zemích k dispozici sběry z domácností. Při zakoupení nového spotřebiče lze vrátit starý spotřebič prodejci, který je povinen jej jednorázově bezplatně přijmout, pokud je spotřebič obdobného typu a má stejné funkce jako zakoupený spotřebič.

Instrucciones para el horno de microondas



Modelo: CMGA20TNDB

Lea estas instrucciones con mucha atención antes de instalar y utilizar el horno.

Haier Europe CANDY  Haier	PT  707 200 188 210 010 773	IT  02 400 48 200	ES  902 100 150 943 914 150	DE  0800 500 48 48
BE  LU  02 752 94 10	NL  33 422 4000	AT  0820 220 224	GR  801 11 50 50 50	CH  0848 780 780

70017948

CONTENIDO

PRECAUCIONES PARA EVITAR POSIBLES EXPOSICIONES A UN EXCESO DE ENERGÍA DE MICROONDAS.....	3
INSTRUCCIONES DE SEGURIDAD IMPORTANTES	3
GUÍA DE INSTALACIÓN.....	6
INSTRUCCIONES DE CONEXIÓN A TIERRA.....	7
INTERFERENCIAS DE RADIO.....	7
ANTES DE LLAMAR AL SERVICIO.....	8
TÉCNICAS DE COCCIÓN.....	8
GUÍA DE UTENSILIOS DE COCINA	9
ESPECIFICACIONES.....	10
ESQUEMA DEL PRODUCTO	10
PANEL DE CONTROL.....	11
INSTRUCCIONES DE USO	12
AJUSTE DE LA HORA DEL RELOJ.....	12
COCINA EXPRÉS	12
COCCIÓN CON MICROONDAS.....	13
DECONGELAR POR TIEMPO	13
DESCONGELACIÓN AUTOMÁTICA	13
GRILL.....	14
COMBINADO	14
LIMPIEZA AUTOMÁTICA.....	14
BLOQUEO INFANTIL	14
COCCIÓN AUTOMÁTICA.....	15
LIMPIEZA Y MANTENIMIENTO	19

PRECAUCIONES PARA EVITAR POSIBLES EXPOSICIONES A UN EXCESO DE ENERGÍA DE MICROONDAS

1. Evite utilizar este horno con la puerta abierta, ya que ello podría exponerle a un nivel perjudicial de energía de microondas. Es sumamente importante no intentar evitar ni forzar los enclavamientos de seguridad.
2. No ponga ningún objeto entre la cara frontal del horno y la puerta, ni deje que se acumule suciedad ni residuos de limpiador sobre las superficies de las juntas.
3. No utilice el horno si está dañado. Es muy importante que la puerta del horno se cierre correctamente y que no se dañen
 - a) Puerta (incluyendo si curvada),
 - b) Bisagras y enclavamientos (no deben romperse ni aflojarse),
 - c) Juntas de las puertas y de otras superficies.
4. El horno no debe ser ajustado o reparado por nadie excepto por personal de servicio cualificado.

INSTRUCCIONES DE SEGURIDAD IMPORTANTES

Al utilizar electrodomésticos, deben observarse algunas precauciones básicas de seguridad como las siguientes:

¡ADVERTENCIA!- Para reducir el riesgo de quemaduras, descargas eléctricas, incendios, lesiones a personas o exposición a una excesiva energía de microondas:

1. Lea todas las instrucciones antes de utilizar el horno y consérvelas para consultarlas en caso necesario en el futuro.
2. Utilice este electrodoméstico sólo para el uso previsto, tal como se describe en el manual. No emplee vapores ni productos químicos corrosivos con este electrodoméstico. Este tipo de horno está específicamente diseñado para calentar, cocinar o secar comida. No está diseñado para uso industrial o en laboratorios.
3. No ponga en marcha el horno si está vacío.
4. No utilice este electrodoméstico si el cable o el conector están dañados, si no funciona correctamente o si se ha caído al suelo o ha sufrido cualquier tipo de daño. Para evitar riesgos, será necesario cambiar cualquier cable de alimentación que esté dañado. Esta operación deberán llevarla a cabo el fabricante, su representante de servicio o cualquier otra persona cualificada.

5. **¡ADVERTENCIA!**- Sólo permita que los niños usen el horno sin supervisión cuando se hayan dado las instrucciones adecuadas para que el niño pueda usar el horno de forma segura y entienda los peligros de un uso inadecuado.
6. **¡ADVERTENCIA!**- Cuando el electrodoméstico funciona en modo combinado, los niños sólo deben utilizar el horno bajo la supervisión de un adulto debido a las temperaturas generadas
7. Para limitar al mínimo el riesgo de fuego en el interior del horno:
 - Al calentar alimentos que vengan en un envase de plástico o papel, siempre hay riesgo de que dicho envase prenda fuego, por lo que deberá tener vigilar el horno en todo momento.
 - Antes de poner una bolsa de papel o plástico en el horno, quite de ella cualquier alambre de cierre que pueda tener.
 - Si observa algún tipo de humo, apague o desenchufe el aparato y deje cerrada la puerta para contener cualquier posible llama.
 - No utilice el interior del horno como espacio de almacenamiento. No deje papeles, utensilios de cocina ni alimentos en el interior del horno cuando no lo esté utilizando.
 - El horno microondas está pensado para calentar comida y bebida. Si lo utiliza para secar ropa o calentar almohadillas, zapatillas, esponjas, paños húmedos u otros objetos similares, existe el riesgo de que se produzcan incendios y lesiones.
8. **¡ADVERTENCIA!**- Los líquidos u otros alimentos no deben calentarse en recipientes sellados ya que pueden explotar.
9. Al calentar bebidas en microondas, es posible que, incluso después de detener el aparato, el líquido siga hirviendo de forma viva y, como consecuencia, se derrame parte de él. Por este motivo, se recomienda el máximo cuidado al manipular el recipiente.
10. No fría comida en el horno. El aceite caliente puede dañar los utensilios y las piezas del horno e incluso provocar quemaduras en la piel.
11. No se deben calentar huevos enteros ni huevos duros en el horno microondas, ya que podrían explotar incluso después de que el microondas se haya parado.
12. Antes de cocinar alimentos de cáscara gruesa (patatas, calabazas enteras, manzanas, castañas...), se recomienda practicar incisiones en dicha cáscara.
13. Al calentar, biberones y potitos, deberá agitarse o removerse el contenido y comprobarse la temperatura antes de servir para evitar posibles quemaduras.
14. Es posible que el calor de la comida calentada pase a los utensilios de cocina. Se recomienda utilizar paños para manejar el utensilio.
15. Además, habrá que comprobar que cada utensilio empleado sea apto para microondas.
16. **¡ADVERTENCIA!**- Las operaciones de reparación o mantenimiento que impliquen retirar una cubierta protectora contra energía de microondas debe realizarlas siempre personal cualificado. De lo contrario, dichas operaciones supondrían un riesgo.
17. Este microondas cumple con la norma EN 55011/CISPR 11, en esta norma pertenece a la clase B Grupo 2. Equipo del grupo 2: el grupo 2 contiene todos los equipos de radiofrecuencia ISM en los que la energía de radiofrecuencia en la gama de frecuencias de 9 kHz a 400 GHz se genera y utiliza intencionadamente o sólo se utiliza localmente, en forma de radiación electromagnética, acoplamiento inductivo y/o capacitivo, para el tratamiento de material, para fines de inspección/análisis o para la transferencia de energía electromagnética. El equipo de clase B es un

- equipo adecuado para su uso en lugares de entornos residenciales y en establecimientos conectados directamente a una red de suministro de energía de baja tensión que abastece a los edificios utilizados para fines domésticos.
18. Este aparato no está pensado para que lo utilicen personas (incluidos niños) con capacidades físicas, sensoriales o mentales reducidas, o con falta de experiencia y conocimiento, a menos que hayan sido supervisados o formados sobre el uso del dispositivo por parte de una persona responsable de su seguridad.
 19. Es necesario vigilar a los niños para asegurarse de que no jueguen con el electrodoméstico.
 20. El horno microondas deberá instalarse de manera que quede patente, sin elementos a su alrededor.
 21. **¡ADVERTENCIA!**- No instale el horno sobre hornillas u otros aparatos que generen calor. De hacerlo, podría sufrir daños y la garantía quedaría anulada.
 22. El horno microondas no deberá instalarse en un armario.
 23. Al utilizar el aparato, la puerta y otras superficies podrían calentarse bastante.
 24. **¡ADVERTENCIA!**- Las partes accesibles podría calentarse bastante al utilizar el electrodoméstico. Evite que los/as niños/as pequeños/as se acerquen a él.
 25. Los electrodomésticos, al utilizarlos, suelen calentarse bastante. Tanto en hornillas como en hornos, hay que tener cuidado de no tocar los elementos que generan calor.
 26. Al utilizar el aparato, las superficies accesibles podrían alcanzar temperaturas bastante elevadas.
 27. El aparato no deben utilizarlo niños/as ni personas con discapacidades físicas, sensoriales o mentales, ni tampoco aquellas que no tengan la debida experiencia y conocimientos, a menos que hayan recibido las instrucciones necesarias para ello o cuenten con la supervisión de otras personas.
 28. **¡ADVERTENCIA!**- Si la puerta o las juntas de esta sufren daños, no se deberá utilizar el horno hasta que la avería haya sido reparada por una persona competente.
 29. El aparato no están destinado a un funcionamiento por medio de un temporizador externo o de un sistema de control remoto independiente.
 30. El horno microondas es para uso estrictamente doméstico, no comercial.
 31. No desmonte el tope distanciador de la parte trasera o de los laterales; es esencial, ya que sirve para garantizar una distancia mínima respecto a la pared para que circule el aire.
 32. Para evitar daños, fije el plato giratorio antes de mover el aparato.
 33. **¡CUIDADO!**- Las tareas de reparación o mantenimiento del electrodoméstico debe llevarlas siempre a cabo un especialista, ya que es necesario retirar la cubierta que garantiza la protección contra la radiación de microondas, lo cual supone un riesgo. Lo mismo cabe decir para las actuaciones sobre el cable de alimentación o las luces. En estos casos, es obligatorio enviar el aparato a nuestro de centro de servicio técnico.
 34. El horno microondas está diseñado únicamente para descongelar y cocinar comida.
 35. Al sacar la comida ya calentada, utilice siempre manoplas.
 36. **¡Precaución!** Es posible que, al abrir tapas o retirar papel de aluminio, salga vapor.

37. Pueden utilizarlo niños a partir de 8 años de edad y personas con facultades físicas, sensoriales o mentales reducidas, o con falta de experiencia y conocimiento, si lo emplean bajo supervisión o se les instruye acerca de la seguridad del producto y entienden los riesgos que comporta. Los niños no deben jugar con el electrodoméstico. Las tareas de limpieza y mantenimiento no deben llevarlas a cabo niños/as, a menos que tengan al menos 8 años y cuenten con la supervisión de una persona adulta.
38. Si observa algún tipo de humo, apague o desenchufe el aparato y deje cerrada la puerta para contener cualquier posible llama.

GUÍA DE INSTALACIÓN

1. Asegúrese de quitar todos los materiales de empaquetado del interior de la puerta.
2. **¡ADVERTENCIA!**- Compruebe si el horno presenta algún tipo de daños. Por ejemplo, si la puerta está curvada o mal alineada, si las juntas de las puertas y de otras superficies están dañadas, si las bisagras y enclavamientos de la puerta están sueltos o rotos y si hay golpes o abolladuras en la puerta o en el interior del horno. En caso de detectarse algún daño, evite utilizar el horno y póngase en contacto con un técnico cualificado.
3. Este horno microondas debe colocarse sobre una superficie plana y estable y que aguante su peso y el de las comidas más pesadas que se prevea cocinar en el horno.
4. Evite colocar el horno en lugares donde se genere calor o altos niveles de humedad, así como cerca de materiales combustibles.
5. Para funcionar correctamente, es necesario que haya suficiente ventilación alrededor del horno. Deje un mínimo de 20 cm de espacio libre encima del horno y 5 cm a ambos lados. La placa trasera del horno microondas debe colocarse cerca de la pared. Evite cubrir o bloquear las aberturas del aparato. No quite las patas.
6. Antes de utilizar el horno, asegúrese de haber instalado en su lugar correcto el plato de vidrio, el soporte de rodillos y el eje.
7. Compruebe que el cable de alimentación no presente daños y que no quede colocado bajo el horno ni encima de ninguna superficie caliente o cortante.
8. La toma de corriente debe ser fácilmente accesible para poder desconectar rápidamente el apartado en caso de emergencia.
9. No utilice el horno en espacios al aire libre.

INSTRUCCIONES DE CONEXIÓN A TIERRA

Este aparato tiene que conectarse a tierra. El cable de alimentación cuenta con cable de tierra y conector con tierra. Debe enchufarse a una toma de pared debidamente instalada y puesta a tierra. En caso de cortocircuito, la conexión a tierra reduce el riesgo de descarga eléctrica, ya que se crea una vía de escape para la corriente eléctrica. Se recomienda utilizar un circuito aparte solo para el horno. El uso de circuitos de alta tensión es peligroso y puede provocar incendios y otros accidentes, incluidos daños en el horno.

¡ADVERTENCIA!- Un uso incorrecto del enchufe con toma de tierra puede dar lugar a un riesgo de descarga eléctrica. Nota:

1. Si tiene alguna duda sobre las instrucciones de conexión eléctrica o a tierra, consulte con un electricista o técnico cualificado.
2. El fabricante y el distribuidor al que se adquiriera el producto declinan cualquier posible responsabilidad derivada de daños sufridos por el horno o daños personales derivados de no observar las instrucciones de conexión eléctrica.

Los hilos del cable llevan colores que corresponden a lo siguiente:

Verde y amarillo = TIERRA

Azul = NEUTRAL

Marrón = CORRIENTE

INTERFERENCIAS DE RADIO

El horno microondas puede interferir en los equipos de radio, TV y otros similares. Tales interferencias, en caso de producirse, pueden limitarse o eliminarse adoptando las siguientes medidas:

1. Limpiar la puerta y las juntas del horno.
2. Reorientar la antena receptora de radio o televisión.
3. Cambiar de sitio el horno microondas con respecto al receptor.
4. Alejar el horno microondas del receptor.
5. Enchufar el horno microondas a una toma diferente de manera que el horno y el receptor estén en circuitos diferentes.

ANTES DE LLAMAR AL SERVICIO

Antes de llamar el servicio, por favor, compruebe cada elemento de abajo:

- Compruebe que el horno esté bien conectado. De lo contrario, quite el enchufe de la toma de corriente, espere 10 segundos y vuelva a enchufarlo con seguridad.
- Compruebe si ha saltado algún fusible, térmico o disyuntor del circuito eléctrico. Si dichos elementos funcionan correctamente, compruebe si esa toma está en buen estado conectando otro aparato.
- Compruebe que el panel de control está programado correctamente y que el temporizador está ajustado.
- Compruebe que la puerta esté bien cerrada, activando el sistema de bloqueo de la puerta. Si la puerta no está bien cerrada, la energía de las microondas no fluirá hacia el interior.

SI EL PROBLEMA NO SE SOLUCIONA CON LAS ACCIONES ANTERIORES, PÓNGASE EN CONTACTO CON UN TÉCNICO CUALIFICADO. NO INTENTE AJUSTAR NI REPARAR EL HORNO POR SU CUENTA.

TÉCNICAS DE COCCIÓN

1. Prepare la comida de manera organizada. Ponga los alimentos de mayor grosor en torno a los bordes del plato.
2. Observe con atención el tiempo de cocción. Cocine la comida durante el menor tiempo posible; así podrá añadir más tiempo si hace falta. La comida, si se cocina demasiado, puede echar humo o incluso entrar en combustión.
3. Cubra los alimentos cuando vaya a cocinarlos. Así evitará posibles salpicaduras y todo se cocinará de manera más uniforme.
4. Cuando vaya a cocinar, por ejemplo, pollo o hamburguesas con microondas, deles la vuelta una vez para acelerar la cocción. Si va a cocinar algo de gran tamaño (por ejemplo, una pieza de carne para asado), deberá darle la vuelta al menos una vez.
5. Si va a cocinar alimentos como albóndigas, a mitad de la cocción muévelo todo de abajo arriba y del centro del plato hacia el exterior.

GUÍA DE UTENSILIOS DE COCINA

1. La energía de microondas no puede penetrar en el metal. Utilice siempre utensilios aptos para hornos microondas. Los recipientes metálicos para comida y bebida no son aptos para cocinar en microondas. Esta norma no será aplicable si el fabricante especifica que son aptos para microondas recipientes metálicos de determinado tamaño y forma.
2. La energía de microondas no puede penetrar en el metal, por lo que no se deben utilizar utensilios ni platos metálicos, ni que tengan decoraciones metálicas.
3. Al cocinar con microondas, evite utilizar productos fabricados con papel reciclado, ya que pueden contener pequeños fragmentos metálicos que, a su vez, podrían generar chispas o provocar incendios.
4. Se recomienda utilizar platos redondos u ovalados antes que cuadrados o con puntas, ya que la comida que quede en las esquinas tiende a cocinarse demasiado.
5. Pueden aplicarse tiras de papel de aluminio para evitar que las áreas expuestas se cocinen en exceso. Eso sí, deberá utilizar el mínimo posible y tener mucho cuidado de dejar un espacio de 2,54 cm entre el papel de aluminio y las paredes del interior del horno.

A continuación figura una guía de carácter general que le ayudará a utilizar los utensilios correctos.

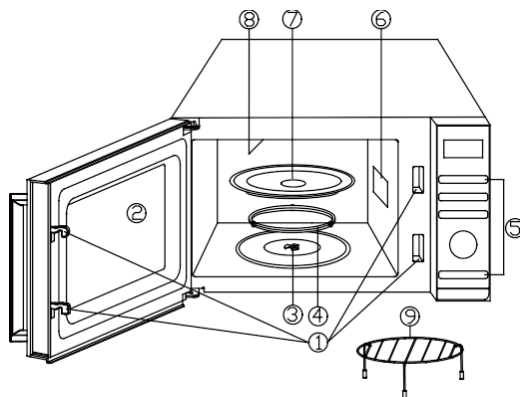
UTENSILIOS DE COCINA	MICROONDAS	GRILL	COMBINADO
Vidrio refractario	Sí	Sí	Sí
Vidrio no refractario	No	No	No
Cerámica refractaria	Sí	Sí	Sí
Plato de plástico apto para microondas	Sí	No	No
Papel de cocina	Sí	No	No
Bandeja metálica	No	Sí	No
Rejilla metálica	No	Sí	No
Papel de aluminio o recipientes de dicho material	No	Sí	No

ESPECIFICACIONES

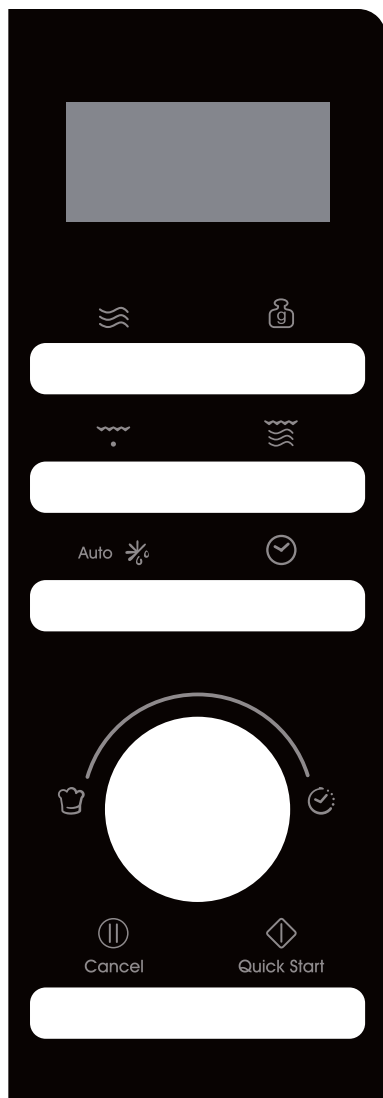
Consumo de energía:	230-240 V/50 Hz, 1200 W(Microondas)
	900 W (Grill)
Potencia nominal de salida de microondas:	700 W
Frecuencia durante el funcionamiento:	2450 MHz
Dimensiones exteriores:	262mm (Al)× 452mm (An)×357mm (Pr)
Dimensiones del interior del horno:	198mm (Al)× 315mm (An)× 297mm (Pr)
Capacidad del horno:	20 litros
Peso neto:	Aproximadamente 11,3 kg

ESQUEMA DEL PRODUCTO

1. Sistema de bloqueo de seguridad de la puerta
2. Ventana del horno
3. Eje
4. Anillo de rodillo
5. Panel de control
6. guía-ondas
7. Plato de vidrio
8. Calentador de grill
9. Rejilla metálica



PANEL DE CONTROL



● PANTALLA DE MENÚ Y ACCIONES

Se muestran los indicadores de tiempo de cocción, potencia y acción.

● POWER

Pulse para establecer el nivel de potencia de cocción del microondas.

● AJUSTE DE PESO

Pulse para ajustar el peso de los alimentos o las porciones.

● GRILL

Pulse para establecer el programa de cocción con el grill.

● COMBINACIÓN

Pulse para ajustar el programa de cocción combinado.

● DESCONGELACIÓN AUTOMÁTICA

Auto 

Pulse una vez para descongelar los alimentos en función del tiempo. Pulse dos veces para descongelar los alimentos en función del peso.

● RELOJ

Pulse para ajustar la hora del reloj.

● MENU/TIME (dial)

Gire el dial para ajustar la hora. Gire el dial para seleccionar el menú de cocción automática.


● PAUSA/CANCELACIÓN Cancel

Si se pulsa una vez, se detendrá la cocción temporalmente; si se pulsa dos veces, se cancelará el proceso de cocción.

● INICIO/ARRANQUE RÁPIDO Quick Start

Pulse para iniciar los programas de cocción y descongelación. Sólo tienes que pulsarlo varias veces para ajustar el tiempo de cocción y cocinar inmediatamente a máxima potencia.

INSTRUCCIONES DE USO

- Cuando el horno se enchufe por primera vez, sonará un pitido y la pantalla mostrará "1:01", y .
- En el proceso de ajuste, con una interrupción de unos 25 segundos el horno volverá al modo de espera.
- Durante la cocción, si se pulsa una vez el botón PAUSE/CANCEL, el programa se pondrá en pausa, y luego se pulsará el botón START/QUICK START para reanudarlo. Pero si se pulsa dos veces el botón PAUSE/CANCEL, el programa se cancelará.
- Una vez finalizada la cocción, la pantalla mostrará Fin y sonará un pitido cada dos minutos hasta que el usuario pulse el botón PAUSA/CANCELAR o abra la puerta.
- En el proceso de funcionamiento, si se pulsa un botón válido, el zumbador suena una vez, pero si se pulsa un botón no válido, el zumbador suena dos veces.
- El sistema de control electrónico del horno de microondas tiene la característica de enfriar. En cualquier modo de cocción cuyo tiempo de cocción sea superior a 2 minutos, una vez finalizada la cocción, si se abre la puerta del horno o se detiene el programa de cocción, el ventilador del horno funcionará unos 3 minutos automáticamente para enfriar el horno y prolongar su vida útil.
- Precaución!-El ventilador de enfriamiento funcionará automáticamente durante unos 3 minutos si el tiempo de cocción es superior a 2 minutos.

AJUSTE DE LA HORA DEL RELOJ

Este es un reloj de 12 y 24 horas, puede elegir ajustar la hora del reloj en un ciclo de 12 o 24 horas pulsando el botón CLOCK en el modo de espera.

1. En el modo de espera, pulse repetidamente el botón CLOCK para elegir el reloj de 12 o 24 horas.
2. Gire el dial MENU/TIME para ajustar el dígito de la hora.
3. Pulse el botón CLOCK una vez.
4. Gire el dial MENU/TIME para ajustar el dígito de los minutos.
5. Pulse el botón CLOCK una vez para confirmar.

NOTA: Durante la cocción, puede comprobar la hora actual del reloj pulsando el botón CLOCK.

COCINA EXPRÉS

Utilice esta función para programar el horno para calentar los alimentos en el microondas al 100% de potencia de forma conveniente. En el modo de espera, basta con pulsar repetidamente el botón START/QUICK START para ajustar el tiempo de cocción (cada pulsación para aumentar 30 segundos, y hasta 10 minutos), el horno empieza a funcionar automáticamente a plena potencia.

COCCIÓN CON MICROONDAS

1. En el modo de espera, pulse el botón POWER repetidamente para seleccionar el nivel de potencia.
2. Gire el dial MENU/TIME en el sentido de las agujas del reloj para ajustar el tiempo de cocción. El tiempo más largo es de 95 minutos.
3. Pulse el botón ARRANQUE/INICIO RÁPIDO para confirmar.

Pulse el botón POWER para seleccionar el nivel de potencia:

PULSAR BOTÓN POWER	Potencia (Pantalla)	PULSAR BOTÓN POWER	Potencia (Pantalla)
Una vez	100% (100)	Siete veces	40%(40)
Dos veces	90% (90)	Ocho veces	30% (30)
Tres veces	80% (80)	9 veces	20% (20)
Cuatro veces	70%(70)	10 veces	10% (10)
Cinco veces	60% (60)	11 veces	00% (00)
Seis veces	50% (50)		

NOTA: Durante la cocción, puede comprobar el nivel de potencia de cocción pulsando el botón POWER.

DECONGELAR POR TIEMPO

1. En el modo de espera, pulse el botón AUTO DEFROST una vez.
2. Gire el dial MENU/TIME para ajustar el tiempo de descongelación. El tiempo más largo es de 95 minutos.
3. Pulse el botón ARRANQUE/INICIO RÁPIDO para confirmar.

NOTA: Durante el programa de descongelamiento, el sistema se pondrá en pausa y se emitirán unos pitidos para avisar al usuario de que debe darle la vuelta a los alimentos; a continuación, pulse ARRANQUE/INICIO RÁPIDO para reanudar.

DESCONGELACIÓN AUTOMÁTICA

El tiempo de descongelación y el nivel de potencia se ajustan automáticamente una vez programado el peso de los alimentos. El peso de los alimentos congelados oscila entre 100 g y 1800 g.

1. En el modo de espera, pulse dos veces el botón AUTO DEFROST.
2. Pulse el botón de AJUSTE DE PESO repetidamente para seleccionar el peso del alimento.
3. Pulse el botón ARRANQUE/INICIO RÁPIDO para confirmar.

NOTA: Durante la descongelación, el sistema hará una pausa y emitirá un sonido para recordar al usuario que debe dar la vuelta a los alimentos y, a continuación, pulsar el botón START/QUICK START para reanudar.

GRILL

La cocción con grill es particularmente útil para las rebanadas finas de carne, filetes, chuletas, brochetas, chorizos y trozos de pollo. También es adecuada para sándwiches calientes y platos gratinados.

1. En el modo de espera, pulse el botón GRILL una vez.
2. Gire el dial MENU/TIME para ajustar el tiempo de cocción. El tiempo más largo es de 95 minutos.
3. Pulse el botón ARRANQUE/INICIO RÁPIDO para confirmar.

COMBINADO

El grill funciona más tiempo que el microondas en el modo de cocción combinada 1, usado para el pescado y el gratinado. Pero el microondas funciona más tiempo que el grill en el modo de cocción combinada 2, que se usa para el pudín, las tortillas, las patatas asadas y el pollo.

1. En el modo de espera, pulse el botón COMBINACIÓN una o dos veces para seleccionar "Co-1" o "Co-2".
2. Gire el dial MENU/TIME para ajustar el tiempo de cocción. El tiempo más largo es de 95 minutos.
3. Pulse el botón ARRANQUE/INICIO RÁPIDO para confirmar.

LIMPIEZA AUTOMÁTICA

Ponga un recipiente de 300 g de agua en el horno y cierre la puerta.

1. En el modo de espera, gire el dial de MENÚ/HORA en sentido antihorario una vez y luego gire el dial hasta que la pantalla muestre "A-19" y "AUTO".
2. Pulse el botón de AJUSTE DE PESO una vez.
3. Pulse el botón INICIO/INICIO RÁPIDO para iniciar

NOTA: El tiempo de limpieza es de 10 minutos.

BLOQUEO INFANTIL

Utilícelo para evitar que los niños manejen el horno sin supervisión.

Para entrar en el bloqueo a prueba de niños: En el modo de espera, si no hay ninguna operación en un minuto, el horno entrará automáticamente en el modo de bloqueo para niños y la luz indicadora de bloqueo se encenderá. En el estado de bloqueo, todos los botones están desactivados.

Para cancelar: En el modo de bloqueo para niños, abra o cierre la puerta del horno para cancelar el programa y la luz indicadora de bloqueo se apagará.

COCCIÓN AUTOMÁTICA

Para el siguiente alimento o modo de cocción, no es necesario programar el tiempo y la potencia de cocción. Basta con indicar el tipo de alimentos que se quiere cocer, así como el peso o las porciones de alimentos.

1. En el modo de espera, gire el dial MENU/TIME en sentido contrario a las agujas del reloj para seleccionar el código de alimentos.
2. Pulse el botón AJUSTE DE PESO repetidamente para seleccionar el peso de los alimentos o las porciones.
3. Pulse el botón ARRANQUE/INICIO RÁPIDO para confirmar.

Menús de cocción automática:

Código	Alimentos	Peso/cantidad	Nota
A-01	Leche/Café/Té (200 ml/taza)	1 taza	La pantalla mostrará el número de porciones en lugar del peso del alimento
		2 tazas	
		3 tazas	
A-02	Espaguetis	100 g	
		200 g	
		300 g	
A-03	Patata	100 g	
		200 g	
		300 g	
A-04	Recalentamiento automático	200 g	
		300 g	
		400 g	
		500 g	
		600 g	
		700 g	
		800 g	
A-05	Pescado	200 g	
		300 g	
		400 g	
		500 g	
		600 g	
A-06	Palomitas de maíz	100 g	
A-07	Carne de pollo	800 g	Durante la cocción, el horno se detendrá para recordar al usuario
		1000 g	

Código	Alimentos	Peso/cantidad	Nota
		1200 g	que debe dar la vuelta a los alimentos, tras lo cual deberá pulsar el botón START/QUICK START para reanudar la cocción
		1400 g	
A-08	Carne de vacuno/carne de cordero	200 g	
		300 g	
		400 g	
		500 g	
		600 g	
A-09	Brochetas de carne	100 g	Durante la cocción, el horno se detendrá para recordar al usuario que debe dar la vuelta a los alimentos, tras lo cual deberá pulsar el botón START/QUICK START para reanudar la cocción
		200 g	
		300 g	
		400 g	
		500 g	
A-10	la sopa	1	200 g / ración
		2	
		3	
A-11	la gacha	50 g	
		100 g	
		150 g	
A-12	hortaliza en estado natural	200 g	
		300 g	
		400 g	
		500 g	
		600 g	
A-13	Verduras congeladas	200 g	
		300 g	
		400 g	

Código	Alimentos	Peso/cantidad	Nota
		500 g	
		600 g	
A-14	Arroz	150 g	
		300 g	
		450 g	
		600 g	
A-15	Pizza	150 g	
		300 g	
		450 g	
A-16	Pescado asado	200 g	Durante la cocción, el horno se detendrá para recordar al usuario que debe dar la vuelta a los alimentos, tras lo cual deberá pulsar el botón START/QUICK START para reanudar la cocción
		300 g	
		400 g	
		500 g	
		600 g	
A-17	tocino asado	100 g	
		200 g	
		300 g	
A-18	Salchichas y embutidos	100 g	Durante la cocción, el horno se detendrá para recordar al usuario que debe dar la vuelta a los alimentos, tras lo cual deberá pulsar el botón START/QUICK START para reanudar la cocción
		200 g	
		300 g	
		400 g	
		500 g	
A-19	Autoclean/(el rendimiento sería la gota de agua llena del interior de la cavidad)		

El resultado de la cocción automática depende de factores como la forma y el tamaño de los alimentos, sus preferencias personales en cuanto a la cocción de ciertos

alimentos e incluso la forma en que se colocan los alimentos en el horno. Si el resultado no es satisfactorio, por favor ajuste el tiempo de cocción un poco.

LIMPIEZA Y MANTENIMIENTO

1. Antes de limpiar el horno, apáguelo y desenchufe el cable de alimentación de la pared.
2. El interior del horno deberá estar siempre limpio. Si se salpican alimentos o se derraman líquidos y se adhieren a las paredes del horno, límpielos con un paño húmedo. Si el horno está muy sucio, puede utilizar un detergente no agresivo. Evite el uso de aerosoles u otros limpiadores fuertes. Pueden manchar, rayar o embotar la superficie de la puerta.
3. Las superficies exteriores del horno deben limpiarse con un paño humedecido. Para evitar daños en los mecanismos interiores del horno, hay que evitar que entre agua en las aberturas de ventilación.
4. Limpie frecuentemente con un paño humedecido las posibles salpicaduras que queden sobre la puerta y la ventana, las juntas de la puerta y las piezas adyacentes. No utilice limpiadores abrasivos.
5. No utilice limpiadores a vapor.
6. Evite que se moje el panel de control. Limpie el electrodoméstico con un paño suave y levemente humedecido. Al limpiar el panel de control, deje abierta la puerta del horno para evitar que este pueda ponerse en marcha accidentalmente.
7. En caso de acumularse vapor dentro o fuera de la puerta del horno, límpielo con un paño suave. Esta situación puede presentarse al utilizar el horno microondas en situaciones de alta humedad ambiental. Es totalmente normal.
8. En ocasiones, es necesario sacar el plato de vidrio para limpiarlo. Limpie el plato de vidrio en agua templada con jabón, o en el lavavajillas.
9. El anillo de rodillo y el fondo del horno deben limpiarse con regularidad para evitar ruidos excesivos. Basta con pasar por la superficie del suelo del horno un paño humedecido en un detergente no abrasivo. El anillo de rodillo puede lavarse en agua templada con jabón, o en el lavavajillas. Al sacar el anillo de rodillo para limpiarlo, asegúrese después de colocarlo siempre en la posición correcta.
10. Para evitar olores en el horno, recomendamos poner un vaso de agua, el jugo y la piel de un limón en un recipiente hondo apto para microondas. Poner en el microondas durante 5 minutos. Limpie bien y seque con un paño seco.
11. Si la bombilla se quema, por favor contacte con el servicio de atención al cliente para que la cambien.
12. El horno debe limpiarse con regularidad, con especial atención a los posibles restos de alimentos. Si el horno no se mantiene en buenas condiciones de limpieza, podría deteriorarse la superficie, lo cual, a su vez, podría afectar negativamente a la vida útil del electrodoméstico e incluso crear situaciones de riesgo.
13. No deseche este electrodoméstico con el resto de los residuos domésticos. Debe llevarlo al centro de reciclaje más cercano en el municipio.
14. La primera vez que se utilice el horno microondas con la función *grill*, es posible que se note un poco de humo y cierto olor. Se trata de una incidencia normal, ya que el horno está hecho de una placa de acero con aceite lubricante; un horno nuevo generará cierto olor al quemar el aceite lubricante. Este problema desaparecerá después de un tiempo de utilizar el electrodoméstico.



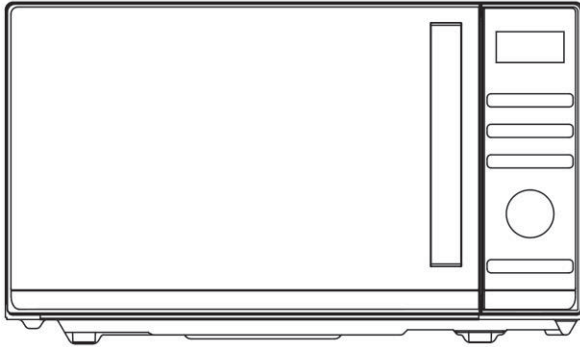
Este electrodoméstico está certificado conforme a la Directiva Europea 2012/19/UE sobre residuos de aparatos eléctricos y electrónicos (RAEE) y regulaciones de 2013. Los dispositivos RAEE contienen sustancias contaminantes (que pueden tener consecuencias negativas para el medio ambiente) y componentes básicos (que pueden reutilizarse). Es importante que dichos dispositivos estén sujetos a tratamientos específicos para eliminar y desechar correctamente todos los contaminantes y recuperar todos

los materiales. Cada individuo puede desempeñar un papel importante a la hora de garantizar que los dispositivos RAEE no se conviertan en un problema medioambiental; para ello, es fundamental seguir algunas reglas básicas:

- los dispositivos RAEE no deben tratarse como residuos domésticos;
- los dispositivos RAEE deben llevarse a los puntos de recogida específicos gestionados por el ayuntamiento o por una empresa registrada.

En muchos países, puede haber disponible un servicio de recogida a domicilio de los RAEE de gran tamaño. Cuando se compra un nuevo aparato, el viejo puede entregarse al vendedor, que debe adquirirlo gratuitamente siempre que el aparato sea de tipo equivalente y tenga las mismas funciones que el que se ha adquirido.

Mode d'emploi du micro-ondes



Modèle : CMGA20TNDB

Veillez lire attentivement ces instructions avant d'installer et d'utiliser le four.

Haier Europe <small>CANDY</small> <small>Haier</small>	PT ☎ 707 200 188 210 010 773	IT ☎ 02 400 48 200	ES ☎ 902 100 150 943 914 150	DE ☎ 0800 500 48 48
BE ☎ LU ☎ 02 752 94 10	NL ☎ 33 422 4000	AT ☎ 0820 220 224	GR ☎ 801 11 50 50 50	CH ☎ 0848 780 780

70017948

SOMMAIRE

LES PRÉCAUTIONS À PRENDRE POUR ÉVITER UN EXCÈS D'EXPOSITION AUX MICRO-ONDES	3
CONSIGNES DE SÉCURITÉ IMPORTANTES	3
GUIDE D'INSTALLATION	6
INSTRUCTIONS DE MISE À LA TERRE	6
INTERFERENCES RADIO	7
AVANT D'APPELER LE SERVICE APRES-VENTE.....	7
TECHNIQUES DE CUISSON	8
GUIDE DES USTENSILES DE CUISINE	8
CARACTÉRISTIQUES.....	9
DIAGRAMME DU PRODUIT.....	9
PANNEAU DE CONTRÔLE	10
INSTRUCTIONS D'EXPLOITATION	11
REGLAGE DE L'HEURE DE L'HORLOGE.....	11
CUISSON EXPRESS	11
CUISSON AU MICRO-ONDES.....	12
DECONGELATION MINUTEE.....	12
DEGIVRAGEAUTOMATIQUE	12
GRILL	13
COMBINAISON.....	13
VERROUILLAGE ENFANT	13
CUISSON AUTOMATIQUE	14
NETTOYAGE ET ENTRETIEN	17

LES PRÉCAUTIONS À PRENDRE POUR ÉVITER UN EXCÈS D'EXPOSITION AUX MICRO-ONDES

1. N'essayez pas de faire fonctionner le four avec la porte ouverte, car le fonctionnement avec la porte ouverte peut entraîner une exposition dangereuse aux micro-ondes. Il est important de ne pas forcer ou altérer les dispositifs de verrouillage de sécurité.
2. Ne placez aucun objet entre la face avant du four et la porte et ne laissez pas la saleté ou les résidus de nettoyage s'accumuler sur les surfaces d'étanchéité.
3. Ne faites pas fonctionner le four s'il est endommagé. Il est très important que la porte du four ferme correctement et qu'il n'y ait pas de dommages à la
 - a) Porte (y compris toute partie pliée),
 - b) aux charnières et aux loquets (cassés ou desserrés),
 - c) aux joints d'étanchéité de la porte et aux surfaces d'étanchéité.
4. Le four ne doit être réglé ou réparé que par du personnel d'entretien qualifié.

CONSIGNES DE SÉCURITÉ IMPORTANTES

Lors de l'utilisation d'appareils électriques, des précautions de base doivent être prises, notamment les suivantes :

AVERTISSEMENT ! Pour réduire les risques de brûlures, de chocs électriques, d'incendie, de blessures ou d'excès d'exposition aux micro-ondes :

1. Lisez toutes les instructions avant d'utiliser l'appareil et conservez-les pour pouvoir les consulter par la suite.
2. N'utilisez cet appareil que pour l'usage auquel il est destiné, tel que décrit dans le manuel. N'utilisez pas de produits chimiques ou de vapeurs corrosives dans cet appareil. Ce type de four est spécialement conçu pour chauffer, cuire ou sécher des aliments. Il n'est pas conçu pour une utilisation industrielle ou de laboratoire.
3. Ne faites pas fonctionner le four lorsqu'il est vide.
4. N'utilisez pas cet appareil si son cordon ou sa fiche est endommagé, s'il ne fonctionne pas correctement ou s'il a été endommagé ou fait tomber. Si le câble d'alimentation est endommagé, il doit être remplacé par le fabricant, son agent d'entretien ou des personnes possédant le même type de qualification, afin d'éviter tout danger.
5. **ATTENTION !** --Ne permettez aux enfants d'utiliser le four sans surveillance que lorsque des instructions adéquates leur ont été dispensées de sorte que ces enfants

soient capables d'utiliser le four de manière sûre et qu'ils aient compris les dangers impliqués par une utilisation non appropriée.

6. **AVERTISSEMENT !** Lorsque l'appareil fonctionne en mode combiné, les enfants ne doivent utiliser le four que sous la surveillance d'un adulte en raison des températures générées
7. Pour réduire le risque d'incendie dans la cavité du four :
 - Lorsque vous faites chauffer des aliments dans un récipient en plastique ou en papier, gardez un œil sur le four en raison du risque d'inflammation.
 - Retirez les attaches métalliques des sacs en papier ou en plastique avant de placer ces derniers dans le four.
 - Si vous remarquez de la fumée, éteignez ou débranchez l'appareil et garder la porte fermée afin d'étouffer toute flamme.
 - N'utilisez pas la cavité à des fins de stockage. Ne laissez pas de produits en papier, d'ustensiles de cuisine ou d'aliments dans la cavité lorsque le four n'est pas utilisé.
 - Le four à micro-ondes est destiné à chauffer des aliments et des boissons. Le séchage des vêtements et le réchauffement des coussins chauffants, pantoufles, éponges, tissus humides et autres peuvent entraîner un risque de blessure, d'ignition ou d'incendie.
8. **ATTENTION !**—Les liquides ou autres nourritures ne doivent pas être chauffés dans des récipients fermés, car ils risqueraient d'exploser.
9. Le réchauffement au micro-ondes de boissons peut entraîner une forte ébullition, soyez donc prudent au moment de la manipulation du récipient.
10. Ne faites pas frire d'aliments dans le four. L'huile chaude peut endommager les pièces du four et les ustensiles de cuisine, ou même provoquer des brûlures sur la peau.
11. Les œufs dans leur coquille et les œufs durs entiers ne doivent pas être chauffés dans le four à micro-ondes, car ils risqueraient d'exploser, même après que le micro-ondes se soit éteint.
12. Percez les aliments à peau épaisse comme les pommes de terre, les courges entières, les pommes et les châtaignes avant de les faire cuire.
13. Le contenu des biberons et des pots pour bébé doit être remué ou agité et la température de l'aliment doit être vérifiée avant de servir, afin d'éviter toute brûlure.
14. Les ustensiles de cuisson peuvent devenir très chauds à cause du transfert de chaleur des aliments chauffés. Des gants de cuisine peuvent être nécessaires pour manipuler l'ustensile.
15. Les ustensiles doivent être vérifiés pour contrôler qu'ils sont adaptés à l'utilisation au four à micro-ondes.
16. **AVERTISSEMENT !** Il est dangereux pour toute personne autre qu'une personne formée d'effectuer des interventions de service ou de réparation qui impliquent le retrait du couvercle de protection contre l'exposition aux micro-ondes.
17. Ce micro-ondes est conforme à la norme EN 55011/CISPR 11, dans laquelle il appartient à la classe B du groupe 2. Équipements du groupe 2 : le groupe 2 comprend tous les équipements ISM RF dans lesquels de l'énergie radio-électrique dans la gamme de fréquences de 9 kHz à 400 GHz est intentionnellement générée et utilisée, ou seulement utilisée localement, sous forme de rayonnement électromagnétique, de couplage inductif et/ou capacitif, pour le traitement de matériaux, à des fins d'inspection ou d'analyse ou pour le transfert d'énergie électromagnétique. Les équipements de classe B sont des équipements adaptés à

- une utilisation dans des lieux d'habitation et dans des établissements directement connectés à un réseau d'alimentation électrique basse tension, qui alimente des bâtiments à usage domestique.
18. L'utilisation de cet appareil est interdite à toute personne (y compris les enfants) aux capacités physiques et mentales réduites, ou dépourvues d'expérience dans l'utilisation d'appareillages électriques, à moins qu'elles ne soient surveillées ou instruites par des personnes adultes et responsables pour leur sécurité.
 19. Surveillez les enfants afin qu'ils ne jouent pas avec l'appareil.
 20. Le four à micro-ondes n'est utilisé que de manière autonome.
 21. **ATTENTION !**--N'installez pas le four au-dessus d'une table de cuisson ou d'un autre appareil produisant de la chaleur. Dans le cas contraire, il risquerait d'être endommagé et la garantie serait annulée.
 22. Le four à micro-ondes ne doit pas être installé dans une armoire.
 23. La porte ou la surface externe peut devenir très chaude lorsque l'appareil fonctionne.
 24. **AVERTISSEMENT !**--Les pièces accessibles peuvent devenir très chaudes pendant l'utilisation. Les jeunes enfants doivent être tenus à l'écart.
 25. Pendant l'utilisation, les appareils deviennent chauds. Il faut veiller à éviter de toucher les éléments chauffants à l'intérieur du four, pour les cuisinières et les fours .
 26. La température des surfaces accessibles peut monter très haut lorsque l'appareil fonctionne.
 27. L'appareil ne doit pas être utilisé par des enfants ou des personnes ayant des capacités physiques, sensorielles ou mentales réduites, ou manquant d'expérience et de connaissances, sauf s'ils sont surveillés ou qu'ils ont été instruits sur le fonctionnement de l'appareil.
 28. **AVERTISSEMENT !**--Si la porte ou les joints de porte sont endommagés, le four ne doit pas être utilisé tant qu'il n'a pas été réparé par une personne qualifiée.
 29. Les appareils ne sont pas destinés à être utilisés au moyen d'une minuterie externe ou d'un système de commande à distance séparé.
 30. Le four à micro-ondes est réservé à un usage domestique et non à un usage commercial.
 31. Ne jamais retirer le calage d'écartement du mur à l'arrière ou sur les côtés, car il assure un minimum de circulation de l'air.
 32. Veuillez sécuriser le plateau tournant avant de déplacer l'appareil pour éviter d'abîmer l'appareil.
 33. **ATTENTION !**--Il est dangereux de faire réparer ou d'entretenir l'appareil par une personne non qualifiée ou non experte, car dans ces circonstances, il faut retirer le couvercle qui assure la protection contre les radiations micro-ondes. Cela s'applique également au changement du cordon d'alimentation ou de l'éclairage. Dans ce cas, envoyez l'appareil à notre centre d'assistance.
 34. Le four à micro-ondes est uniquement destiné à la décongélation, à la cuisson et à la cuisson à la vapeur d'aliments.
 35. Utilisez des gants de cuisine si vous devez retirer des aliments chauds.
 36. Attention ! De la vapeur s'échappe lorsque vous retirez le couvercle ou le film du récipient.

37. Cet appareil peut être utilisé par des enfants âgés de 8 ans et plus, par des personnes dont les capacités physiques, sensorielles ou mentales sont réduites ou par des personnes dénuées d'expérience et de connaissances, mais qui ont été informées sur la manière d'utiliser l'appareil en toute sécurité, si elles comprennent les risques impliqués. Les enfants ne doivent pas jouer avec l'appareil. Le nettoyage et l'entretien par l'utilisateur ne doivent pas être effectués par des enfants, sauf s'ils sont âgés de 8 ans et plus et qu'ils sont surveillés.
38. Si de la fumée est émise, éteignez ou débranchez l'appareil et gardez la porte fermée afin d'étouffer les flammes.

GUIDE D'INSTALLATION

1. Veillez à ce que tous les matériaux d'emballage soient extraits de l'intérieur de la porte.
2. **AVERTISSEMENT !**--Vérifiez que le four n'est pas endommagé, par exemple que la porte n'est pas mal alignée ou déformée, que les joints de porte et la surface d'étanchéité ne soient pas endommagés, que les charnières et les loquets de la porte ne soient pas cassés ou desserrés et que l'intérieur de la cavité ou la porte ne soient pas bosselés. En cas de dommage, ne faites pas fonctionner le four et contactez le personnel qualifié du service après-vente.
3. Ce four à micro-ondes doit être installé sur une surface plane et stable qui supporte son poids et les aliments les plus lourds susceptibles d'être cuits à l'intérieur.
4. N'installez pas le four dans un emplacement où de la chaleur et de l'humidité sont susceptibles d'être générées, ni près de matériaux combustibles.
5. Pour un fonctionnement correct, le four doit avoir un débit d'air suffisant. Prévoyez au minimum 20 cm d'espace libre au-dessus de la surface supérieure du four et 5 cm des deux côtés. La plaque arrière du four à micro-ondes doit être placée près du mur. Ne couvrez ni ne bloquez aucune ouverture de l'appareil. Ne démontez pas les pieds de l'appareil.
6. Ne faites pas fonctionner le four si le plateau en verre, le support tournant et l'arbre ne sont pas en bonne position.
7. Assurez-vous que le cordon d'alimentation n'est pas endommagé et qu'il ne passe pas sous le four ou sur une surface chaude ou coupante.
8. La prise doit être facilement accessible afin de pouvoir débrancher l'appareil en cas d'urgence.
9. N'utilisez pas le four à l'extérieur.

INSTRUCTIONS DE MISE À LA TERRE

Cet appareil doit être mis à la terre. Ce four est équipé d'un cordon ayant un fil de terre avec une prise de terre. Il doit être branché dans une prise murale correctement installée et avec mise à la terre. En cas de court-circuit électrique, la mise à la terre

réduit le risque de choc électrique en fournissant un fil de fuite pour le courant électrique. Il est recommandé de prévoir un circuit séparé ne desservant que le four. L'utilisation d'un courant de haute tension est dangereuse et peut entraîner un incendie ou un autre accident provoquant des dommages au four.

AVERTISSEMENT ! Une utilisation incorrecte de la prise de terre peut entraîner un risque de choc électrique. Remarque :

1. Si vous avez des questions concernant la mise à la terre ou les instructions électriques, consultez un électricien qualifié ou une personne du service d'assistance.
2. Ni le fabricant ni le revendeur ne peuvent être tenus pour responsables des dommages causés au four ou des blessures corporelles résultant du non-respect des procédures de raccordement électrique.

Les fils de ce câble principal sont colorés selon le code suivant :

Vert et jaune = TERRE

Bleu = NEUTRE

Marron = SOUS TENSION

INTERFERENCES RADIO

Le fonctionnement du four à micro-ondes peut provoquer des interférences avec votre radio, votre télévision ou tout autre équipement semblable. Lorsqu'il y a interférence, elle peut être réduite ou éliminée en prenant les mesures suivantes :

1. Nettoyez la porte et la surface d'étanchéité du four.
2. Réorientez l'antenne de réception de la radio ou de la télévision.
3. Déplacez le four à micro-ondes par rapport au récepteur.
4. Éloignez le four à micro-ondes du récepteur.
5. Branchez le four à micro-ondes dans une prise différente de sorte que le four à micro-ondes et le récepteur soient sur des circuits différents.

AVANT D'APPELER LE SERVICE APRES-VENTE

Avant de vous adresser au service d'assistance, veuillez vérifier les points suivants :

- Vérifiez que le four est bien branché. Si ce n'est pas le cas, débranchez la fiche de la prise, attendez 10 secondes, et rebranchez-la en toute sécurité.
- Vérifiez si un fusible ou le disjoncteur principal a sauté. S'ils semblent fonctionner correctement, testez la prise avec un autre appareil.
- Vérifiez que le panneau de commande est correctement programmé et que la minuterie est réglée.

- Vérifiez que la porte est bien fermée, après avoir engagé le système de verrouillage de la porte. Si la porte n'est pas correctement fermée, l'énergie des micro-ondes ne circulera pas à l'intérieur.

SI AUCUN DES ÉLÉMENTS CI-DESSUS NE PERMET DE CORRIGER LA SITUATION, ALORS CONTACTEZ UN TECHNICIEN QUALIFIÉ. N'ESSAYEZ PAS DE RÉGLER OU DE RÉPARER LE FOUR PAR VOUS-MÊME.

TECHNIQUES DE CUISSON

1. Disposez la nourriture avec soin. Placez les morceaux les plus épais vers l'extérieur du plat.
2. Regardez le temps de cuisson. Cuisinez pendant la durée la plus courte indiquée et prolongez si nécessaire. Les aliments excessivement cuits peuvent faire de la fumée ou s'enflammer.
3. Couvrez les aliments pendant la cuisson. Les couvercles empêchent les éclaboussures et aident les aliments à cuire uniformément.
4. Retournez les aliments une fois pendant la cuisson au micro-ondes, pour en accélérer la cuisson s'il s'agit d'aliments tels que du poulet ou des hamburgers. Les gros aliments comme les rôtis doivent être retournés au moins une fois .
5. Réorganisez les aliments, tels que les boulettes de viande, à mi-cuisson, en plaçant les morceaux du dessous dessus et vice versa et les morceaux du centre du plat vers l'extérieur et vice versa.

GUIDE DES USTENSILES DE CUISINE

1. Les micro-ondes ne peuvent pas contenir de métal. N'utilisez que des ustensiles adaptés aux fours à micro-ondes. Les récipients métalliques pour les aliments et les boissons ne sont pas autorisés pendant la cuisson au micro-ondes. Cette exigence n'est pas applicable si le producteur précise la taille et la forme des récipients métalliques adaptés à la cuisson au micro-ondes.
2. Le micro-ondes ne peut pas pénétrer dans le métal, c'est pourquoi les ustensiles en métal ou les plats avec des garnitures métalliques ne doivent pas être utilisés.
3. N'utilisez pas de produits en papier recyclé pour la cuisson au micro-ondes, car ils peuvent contenir de petits fragments de métal qui peuvent provoquer des étincelles et/ou des incendies.
4. Les plats ronds ou ovales plutôt que carrés ou oblongs sont préférés, car dans les coins la nourriture a tendance à trop cuire.
5. Des bandes étroites de papier d'aluminium peuvent être utilisées pour éviter la cuisson excessive des morceaux les plus exposés. Mais attention, n'en utilisez pas trop et gardez une distance de 2,5 cm entre la feuille et la paroi de la cavité.

La liste ci-dessous est un guide général pour vous aider à choisir les bons ustensiles.

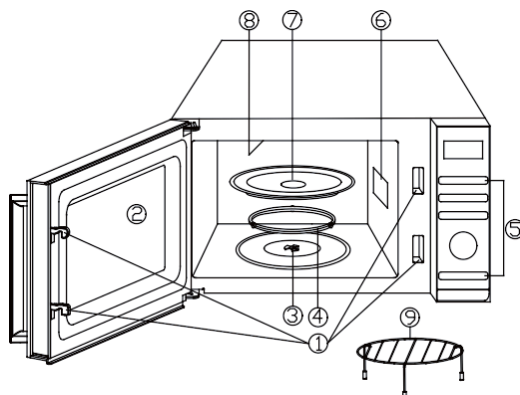
USTENSILES DE CUISINE	FOUR À MICRO-ONDES	GRILL	COMBINÉ
Verre résistant à la chaleur	Oui	Oui	Oui
Verre non résistant à la chaleur	Non	Non	Non
Céramiques résistantes à la chaleur	Oui	Oui	Oui
Plat en plastique pour micro-ondes	Oui	Non	Non
Papier de cuisine	Oui	Non	Non
Plateau en métal	Non	Oui	Non
Étagère en métal	Non	Oui	Non
Feuilles et récipients en aluminium	Non	Oui	Non

CARACTÉRISTIQUES

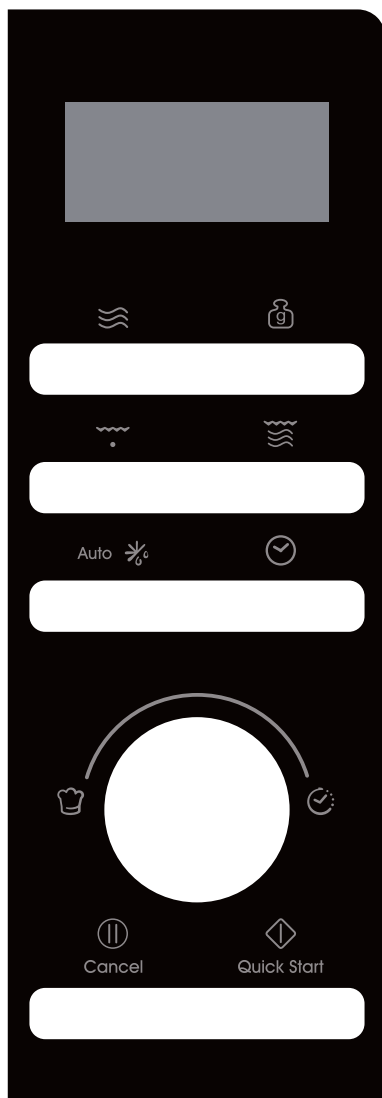
Consommation d'énergie :	230-240 V/50 Hz, 1200 W (micro-ondes) 900W (Grill)
Puissance nominale de sortie du micro-ondes :	700 W
Fréquence de fonctionnement :	2450MHz
Dimensions extérieures :	262mm(H)×452mm(W)×357mm(D)
Dimensions de la cavité du four :	198mm(H)×315mm(W)×297mm(D)
Capacité du four :	20 Litres
Poids net	Environ 11,3 kg

DIAGRAMME DU PRODUIT

1. Système de verrouillage de sécurité de la porte
2. Fenêtre du four
3. Arbre
4. Anneau tournant
5. Panneau de commande
6. guide à ondes
(Veuillez ne pas retirer la plaque de mica qui recouvre le guide d'ondes)
7. Plateau en verre
8. Résistance du grill
9. Étagère en métal



PANNEAU DE CONTRÔLE



● ÉCRAN D'ACTION MENU

Les indicateurs de temps de cuisson, de puissance et d'action sont affichés.

● PUISSANCE

Appuyez sur cette touche pour régler le niveau de puissance de cuisson au micro-ondes.

● RÉGLAGE DU POIDS

Appuyez pour régler le poids des aliments ou les portions.

● GRILL

Appuyez pour régler le programme de cuisson sur le gril.

● COMBINAISON

Appuyez pour régler le programme de cuisson combinée.

● DÉCONGÉLATION AUTOMATIQUE Auto

Appuyez une fois pour décongeler les aliments en fonction du temps. Appuyez deux fois sur cette touche pour décongeler les aliments en fonction de leur poids.

● CLOCK

Appuyez sur cette touche pour régler l'heure.

● MENU/TIME (cadran)

Tournez le cadran pour régler l'heure. Tournez la molette pour sélectionner le menu de cuisson automatique.

● PAUSE/CANCEL Cancel


Appuyez une fois pour arrêter temporairement la cuisson, ou deux fois pour l'annuler complètement.

● DÉMARRAGE/ DÉMARRAGE RAPIDE Quick Start

Appuyez sur cette touche pour lancer les programmes de cuisson et de décongélation.

Il suffit d'appuyer plusieurs fois sur ce bouton pour régler le temps de cuisson et cuire immédiatement à pleine puissance.

INSTRUCTIONS D'EXPLOITATION

- Lorsque le four est branché pour la première fois, un bip retentit et l'écran affiche « 1:01 » et «  ».
- En cours de réglage, en cas d'arrêt d'au moins 25 secondes, le four revient en mode veille.
- Pendant la cuisson, si vous appuyez une fois sur la touche PAUSE/CANCEL, le programme sera mis en pause, puis appuyez sur la touche START/QUICK START pour reprendre. Mais si vous appuyez deux fois sur le bouton PAUSE/CANCEL, le programme sera annulé.
- Une fois la cuisson terminée, l'écran affiche End et un signal sonore retentit toutes les deux minutes jusqu'à ce que l'utilisateur appuie sur la touche PAUSE/CANCEL ou ouvre la porte.
- En cours de fonctionnement, si vous appuyez sur un bouton valide, le buzzer sonne une fois, mais si vous appuyez sur un bouton invalide, le buzzer sonne deux fois.
- Le système de contrôle électronique du four à micro-ondes a la caractéristique de refroidir. Pour tout mode de cuisson dont le temps de cuisson est supérieur à 2 minutes, après la fin de la cuisson, l'ouverture de la porte du four ou la pause du programme de cuisson, le ventilateur du four fonctionnera automatiquement pendant 3 minutes pour refroidir le four et prolonger sa durée de vie.
- Attention!-Le ventilateur de refroidissement fonctionnera automatiquement pendant environ 3 minutes si le temps de cuisson est supérieur à 2 minutes.

REGLAGE DE L'HEURE DE L'HORLOGE

Il s'agit d'une horloge de 12 et 24 heures, vous pouvez choisir de régler l'heure de l'horloge sur un cycle de 12 ou 24 heures en appuyant sur le bouton CLOCK en mode veille.

1. En mode veille, appuyez plusieurs fois sur la touche CLOCK pour choisir l'horloge 12 heures ou 24 heures.
2. Tournez le bouton MENU/TIME pour régler le chiffre des heures.
3. Appuyez une fois sur le bouton CLOCK.
4. Tournez le bouton MENU/TIME pour régler le chiffre des minutes.
5. Appuyez une fois sur la touche CLOCK pour confirmer.

REMARQUE : Pendant la cuisson, vous pouvez vérifier l'heure actuelle en appuyant sur la touche CLOCK.

CUISSON EXPRESS

Utilisez cette fonction pour programmer le four de façon à ce que les aliments soient cuits au micro-ondes à 100 % de leur puissance. En mode veille, il suffit d'appuyer plusieurs fois sur la touche START/QUICK START pour régler le temps de cuisson (chaque pression augmente de 30 secondes, et jusqu'à 10 minutes), le four commence à fonctionner automatiquement à pleine puissance.

CUISSON AU MICRO-ONDES

1. En mode veille, appuyez plusieurs fois sur la touche POWER pour sélectionner le niveau de puissance.
2. Tournez la molette MENU/TIME dans le sens des aiguilles d'une montre pour régler le temps de cuisson. La durée la plus longue est 95 minutes.
3. Appuyez sur le bouton MISE EN MARCHÉ/MISE EN MARCHÉ RAPIDE pour confirmer .

Appuyez sur la touche POWER pour sélectionner le niveau de puissance :

Appuyez sur le bouton d'alimentation	Puissance (Écran)	Appuyez sur le bouton d'alimentation	Puissance (Écran)
Une fois	100% (100)	7 fois	40% (40)
Deux fois	90% (90)	8 fois	30% (30)
3 fois	80% (80)	9 fois	20% (20)
4 fois	70% (70)	10 fois	10% (10)
5 fois	60% (60)	11 fois	00% (00)
6 fois	50% (50)		

REMARQUE : Pendant la cuisson, vous pouvez vérifier le niveau de puissance de cuisson en appuyant sur la touche POWER.

DECONGELATION MINUTEE

1. En mode veille, appuyez une fois sur la touche AUTO DEFROST.
2. Tournez la molette MENU/TIME pour régler le temps de dégivrage. La durée la plus longue est 95 minutes.
3. Appuyez sur le bouton MISE EN MARCHÉ/MISE EN MARCHÉ RAPIDE pour confirmer .

REMARQUE : Pendant le programme de décongélation, le système fait une pause et émet un son pour rappeler à l'utilisateur de retourner les aliments. Ensuite, appuyez sur la touche MISE EN MARCHÉ/MISE EN MARCHÉ RAPIDE pour reprendre la cuisson.

DEGIVRAGE AUTOMATIQUE

Le temps de décongélation et le niveau de puissance sont automatiquement réglés une fois que le poids des aliments est programmé. Le poids des aliments congelés varie de 100 g à 1800 g.

1. En mode veille, appuyez deux fois sur le bouton AUTO DEFROST.
2. Appuyez sur la touche WEIGHT ADJUST à plusieurs reprises pour sélectionner le poids de l'aliment.

3. Appuyez sur le bouton MISE EN MARCHÉ/MISE EN MARCHÉ RAPIDE pour confirmer.

REMARQUE : Pendant le dégivrage, le système fait une pause et émet un son pour rappeler à l'utilisateur de retourner les aliments de retourner les aliments, puis d'appuyer sur la touche START/QUICK START pour reprendre.

GRILL

La cuisson sur le grill est particulièrement utile pour les fines tranches de viande, les steaks, les côtelettes, les brochettes, les saucisses et les morceaux de poulet. Il convient également aux sandwichs chauds et aux plats gratinés.

1. En mode veille, appuyez une fois sur la touche GRILL.
2. Tournez la molette MENU/TIME pour régler le temps de cuisson. La durée la plus longue est 95 minutes.
3. Appuyez sur le bouton MISE EN MARCHÉ/MISE EN MARCHÉ RAPIDE pour confirmer .

COMBINAISON

Le grill fonctionne plus longtemps que le micro-ondes en mode de cuisson combinée 1, à utiliser pour le poisson et le gratin. Mais le micro-ondes fonctionne plus longtemps que le grill en mode de cuisson combiné 2, à utiliser pour le pudding, les omelettes, les pommes de terre au four et la volaille.

1. En mode veille, appuyez une ou deux fois sur la touche COMBINATION pour sélectionner "Co-1" ou "Co-2".
2. Tournez la molette MENU/TIME pour régler le temps de cuisson. La durée la plus longue est 95 minutes.
3. Appuyez sur le bouton MISE EN MARCHÉ/MISE EN MARCHÉ RAPIDE pour confirmer .

NETTOYAGE AUTOMATIQUE

Mettez un bol de 300 g d'eau dans le four et fermez la porte.

4. En mode veille, tournez la molette MENU/TIME une fois dans le sens inverse des aiguilles d'une montre, puis tournez la molette jusqu'à ce que l'écran affiche « A-19 » et « AUTO ».
5. Appuyez une fois sur le bouton WEIGHT ADJUST.
6. Appuyez sur la touche START/QUICK START pour commencer.

REMARQUE : Le temps de nettoyage est de 10 minutes.

VERROUILLAGE ENFANT

Utilisez-le pour empêcher les enfants d'utiliser le four sans surveillance.

Pour entrer dans la sécurité enfant : En mode veille, si aucune opération n'est effectuée dans un délai d'une minute, le four passe automatiquement en mode sécurité enfants et le témoin de verrouillage s'allume. À l'état verrouillé, tous les boutons sont désactivés.

Pour annuler : En mode de verrouillage enfant, ouvrez ou fermez la porte du four pour annuler le programme et le témoin de verrouillage s'éteint.

CUISSON AUTOMATIQUE

Pour l'aliment ou le mode de cuisson suivant, il n'est pas nécessaire de programmer le temps de cuisson et la puissance de cuisson. Il suffit d'indiquer le type d'aliments que vous souhaitez cuisiner, ainsi que le poids ou les portions de cet aliment.

1. En mode veille, tournez le bouton MENU/TIME dans le sens inverse des aiguilles d'une montre pour sélectionner le code alimentaire.
2. Appuyez sur la touche WEIGHT ADJUST à plusieurs reprises pour sélectionner le poids de l'aliment ou les portions.
3. Appuyez sur le bouton MISE EN MARCHÉ/MISE EN MARCHÉ RAPIDE pour confirmer.

Menus de cuisson automatique :

Code	Aliment	Poids/Quantité	Remarques
A-01	Lait/Café/Thé (200 ml/tasse)	1 tasse	L'écran affiche le nombre de portions au lieu du poids de l'aliment
		2 tasses	
		3 tasses	
A-02	Pâtes	100 g	
		200 g	
		300 g	
A-03	Pomme de terre	100 g	
		200 g	
		300 g	
A-04	RÉCHAUFFAGE AUTOMATIQUE	200 g	
		300 g	
		400 g	
		500 g	
		600 g	
		700 g	
		800 g	
A-05	Poisson	200 g	
		300 g	
		400 g	
		500 g	

Code	Aliment	Poids/Quantité	Remarques
		600 g	
A-06	Popcorns	100 g	
A-07	Poulet	800 g	Pendant la cuisson, le four s'arrête pour rappeler à l'utilisateur de retourner les aliments, puis il appuie sur la touche START/QUICK START pour reprendre la cuisson
		1000 g	
		1200 g	
		1400 g	
A-08	Bœuf/Mouton	200 g	
		300 g	
		400 g	
		500 g	
		600 g	
A-09	Brochettes de viande	100 g	Pendant la cuisson, le four s'arrête pour rappeler à l'utilisateur de retourner les aliments, puis il appuie sur la touche START/QUICK START pour reprendre la cuisson
		200 g	
		300 g	
		400 g	
		500 g	
A-10	Soupe	1	200 g/portion
		2	
		3	
A-11	Porridge	50 g	
		100 g	
		150 g	
A-12	Légumes frais	200 g	
		300 g	
		400 g	
		500 g	
		600 g	
A-13	Légumes congelés	200 g	
		300 g	
		400 g	

Code	Aliment	Poids/Quantité	Remarques
		500 g	
		600 g	
A-14	Riz	150 g	
		300 g	
		450 g	
		600 g	
A-15	Pizza	150 g	
		300 g	
		450 g	
A-16	Parillada de poissons	200 g	Pendant la cuisson, le four s'arrête pour rappeler à l'utilisateur de retourner les aliments, puis il appuie sur la touche START/QUICK START pour reprendre la cuisson
		300 g	
		400 g	
		500 g	
		600 g	
A-17	Bacon grillé	100 g	
		200 g	
		300 g	
A-18	Saucisses et saucissons	100 g	Pendant la cuisson, le four s'arrête pour rappeler à l'utilisateur de retourner les aliments, puis il appuie sur la touche START/QUICK START pour reprendre la cuisson
		200 g	
		300 g	
		400 g	
		500 g	
A-19	Autoclean/(la performance serait la goutte d'eau remplissant l'intérieur de la cavité)		

Le résultat de la cuisson automatique dépend de facteurs tels que la forme et la taille de l'aliment, de votre préférence personnelle quant à la cuisson de certains aliments, ainsi que de la façon dont vous avez placé les aliments dans le four. Si vous trouvez que de toute façon le résultat n'est pas parfaitement satisfaisant, veuillez régler la durée de cuisson en conséquence.

NETTOYAGE ET ENTRETIEN

1. Éteignez le four et débranchez son cordon d'alimentation du mur lors du nettoyage du four.
2. Gardez l'intérieur du four propre. Lorsque des éclaboussures d'aliments ou des liquides renversés adhèrent aux parois du four, essuyez-les avec un chiffon humide. Utilisez un détergent doux si le four est très sale. Évitez d'utiliser des sprays ou d'autres nettoyeurs agressifs. Ils risquent de tacher, de laisser des traces ou de ternir la surface de la porte.
3. L'extérieur du four doit être nettoyé avec un chiffon humide. Pour éviter d'endommager les pièces de fonctionnement à l'intérieur du four, il ne faut pas laisser l'eau s'infiltrer dans les ouvertures de ventilation.
4. Essuyez fréquemment la porte et la fenêtre des deux côtés, les joints de la porte et les parties adjacentes avec un chiffon humide pour éliminer tout déversement ou éclaboussure. N'utilisez pas de nettoyant abrasif.
5. Les nettoyeurs à vapeur ne doivent pas être utilisés.
6. Ne laissez pas le panneau de commande mouillé. Nettoyez-le avec un chiffon doux et humide. Lorsque vous nettoyez le panneau de commande, laissez la porte du four ouverte, pour éviter que le four ne s'allume accidentellement.
7. Si de la vapeur s'accumule à l'intérieur ou à l'extérieur de la porte du four, essuyez-la avec un chiffon doux. Cela peut se produire lorsque le four à micro-ondes est utilisé dans des conditions d'humidité élevée. Et c'est normal.
8. Il est parfois utile de retirer le plateau en verre pour le nettoyer. Lavez le plateau dans de l'eau chaude et savonneuse ou dans un lave-vaisselle.
9. L'anneau tournant et le bas de la cavité du four doivent être nettoyés régulièrement pour éviter tout bruit excessif. Il suffit d'essuyer la surface inférieure du four avec un détergent doux. L'anneau tournant peut être lavé dans de l'eau douce et savonneuse ou dans un lave-vaisselle. Après avoir retiré l'anneau tournant, veillez à le réinstaller dans la bonne position.
10. Éliminez les odeurs de votre four en posant une tasse d'eau mélangée au jus et à la peau d'un citron dans le micro-ondes. Faites fonctionner votre micro-ondes pendant 5 minutes. Essuyez et séchez avec un chiffon doux.
11. Si l'ampoule grille, veuillez contacter le service client pour la faire remplacer.
12. Le four doit être nettoyé régulièrement et tout dépôt de nourriture doit être éliminé. Si le four n'est pas maintenu propre, cela peut détériorer les surfaces de l'appareil, nuire à sa durée de vie et éventuellement créer une situation dangereuse.
13. Veuillez ne pas jeter cet appareil dans les ordures ménagères ; il doit être déposé dans un centre de tri spécialement prévu par votre municipalité.
14. Lorsque le four à micro-ondes avec fonction grill est utilisé pour la première fois, il peut produire une légère fumée et une légère odeur. Cela est normal, car le four est constitué d'une plaque en acier recouverte d'une huile lubrifiante, et que le four neuf produit de la fumée et une odeur générées par la combustion de cette huile lubrifiante. Ce phénomène disparaîtra au bout d'une période d'utilisation.

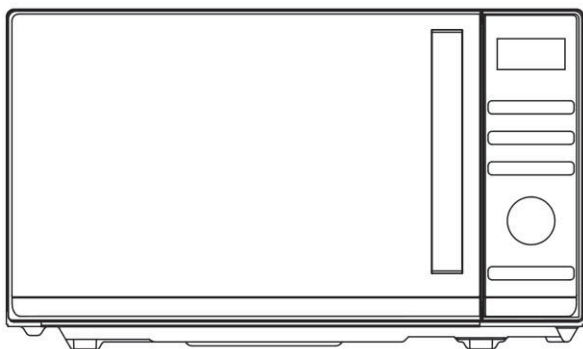
Cet appareil est conforme à la directive Européenne 2012/19/UE relative aux règlements 2013 sur les Déchets d'équipements électriques et électroniques (DEEE) (Waste Electrical and Electronic Equipment - WEEE). La catégorie DEEE recouvre à la fois les substances polluantes (pouvant avoir des retombées négatives sur l'environnement) et les composants de base (pouvant être réutilisés). Il est important que les DEEE subissent des traitements spécifiques pour éliminer et jeter correctement les polluants et récupérer tous les matériaux. Chaque individu peut jouer un rôle important en veillant à ce que les produits DEEE ne deviennent pas un problème pour l'environnement. Pour cela, il est essentiel de suivre quelques règles de base :

- les DEEE ne doivent pas être traités comme des déchets ménagers ;
- les DEEE doivent être amenés à des zones de collecte spécifiques gérées par le conseil municipal ou une société dûment enregistrée.

Dans de nombreux pays, des décharges domestiques peuvent être disponibles pour de grands DEEE. Lorsque vous achetez un nouvel appareil, l'ancien peut être retourné au détaillant qui est en devoir de le récupérer sans frais, à titre exceptionnel, tant que l'équipement est de type équivalent et a les mêmes fonctions que l'équipement fourni.



Οδηγίες φούρνου μικροκυμάτων



Μοντέλο: CMGA20TNDB

Διαβάστε προσεκτικά αυτές τις οδηγίες πριν από την εγκατάσταση
και τη λειτουργία του φούρνου.

Haier Europe <small>CANDY</small> <small>Haier</small>	PT ☎ 707 200 188 210 010 773	IT ☎ 02 400 48 200	ES ☎ 902 100 150 943 914 150	DE ☎ 0800 500 48 48
BE ☎ LU ☎ 02 752 94 10	NL ☎ 33 422 4000	AT ☎ 0820 220 224	GR ☎ 801 11 50 50 50	CH ☎ 0848 780 780

70017948

ΠΕΡΙΕΧΟΜΕΝΑ

ΠΡΟΦΥΛΑΞΕΙΣ ΓΙΑ ΤΗΝ ΑΠΟΦΥΓΗ ΠΙΘΑΝΗΣ ΕΚΘΕΣΗΣ ΣΕ ΥΠΕΡΒΟΛΙΚΗ ΕΝΕΡΓΕΙΑ ΜΙΚΡΟΚΥΜΑΤΩΝ.....	3
ΣΗΜΑΝΤΙΚΕΣ ΟΔΗΓΙΕΣ ΑΣΦΑΛΕΙΑΣ	3
ΟΔΗΓΟΣ ΕΓΚΑΤΑΣΤΑΣΗΣ	6
ΟΔΗΓΙΕΣ ΓΕΙΩΣΗΣ.....	7
ΡΑΔΙΟΗΛΕΚΤΡΙΚΕΣ ΠΑΡΕΜΒΟΛΕΣ	7
ΠΡΙΝ ΚΑΛΕΣΕΤΕ ΤΗΝ ΥΠΗΡΕΣΙΑ	8
ΤΕΧΝΙΚΕΣ ΜΑΓΕΙΡΕΜΑΤΟΣ.....	8
ΟΔΗΓΟΣ ΜΑΓΕΙΡΙΚΩΝ ΣΚΕΥΩΝ.....	8
ΤΕΧΝΙΚΑ ΧΑΡΑΚΤΗΡΙΣΤΙΚΑ	9
ΔΙΑΓΡΑΜΜΑ ΠΡΟΪΟΝΤΟΣ	10
ΠΙΝΑΚΑΣ ΕΛΕΓΧΟΥ	11
ΟΔΗΓΙΕΣ ΧΡΗΣΗΣ	12
ΡΥΘΜΙΣΗ ΩΡΑΣ ΡΟΛΟΓΙΟΥ	12
ΜΑΓΕΙΡΕΜΑ ΕΞΠΡΕΣ.....	12
ΜΑΓΕΙΡΕΜΑ ΜΙΚΡΟΚΥΜΑΤΩΝ	13
ΧΡΟΝΟΣ ΑΠΟΨΥΞΗΣ	13
ΑΥΤΟΜΑΤΗ ΑΠΟΨΥΞΗ	13
ΓΚΡΙΛ.....	14
ΣΥΝΔΥΑΣΜΟΣ	14
ΠΑΙΔΙΚΗ ΑΣΦΑΛΕΙΑ	14
ΑΥΤΟΜΑΤΟ ΜΑΓΕΙΡΕΜΑ.....	15
ΚΑΘΑΡΙΣΜΟΣ ΚΑΙ ΦΡΟΝΤΙΔΑ	18

ΠΡΟΦΥΛΑΞΕΙΣ ΓΙΑ ΤΗΝ ΑΠΟΦΥΓΗ ΠΙΘΑΝΗΣ ΕΚΘΕΣΗΣ ΣΕ ΥΠΕΡΒΟΛΙΚΗ ΕΝΕΡΓΕΙΑ ΜΙΚΡΟΚΥΜΑΤΩΝ

1. Μην επιχειρήσετε να λειτουργήσετε αυτό το φούρνο με την πόρτα ανοιχτή, καθώς η λειτουργία με ανοικτή την πόρτα μπορεί να έχει ως αποτέλεσμα επιβλαβή έκθεση στην ενέργεια μικροκυμάτων. Είναι σημαντικό να μην καταστρέψετε ή να μην επεμβαίνετε στις κλειδαριές ασφαλείας.
2. Μην τοποθετείτε αντικείμενα μεταξύ της πρόσοψης του φούρνου και της πόρτας και μην αφήνετε να συσσωρευούνται βρωμιά ή υπολείμματα καθαριστικών στις επιφάνειες σφράγισης.
3. Μην χρησιμοποιείτε το φούρνο εάν έχει υποστεί ζημιά. Είναι πολύ σημαντικό η πόρτα του φούρνου να κλείνει σωστά και να μην υπάρχει ζημιά στην
 - a) Πόρτα (συμπεριλαμβανομένης οποιασδήποτε λυγισμένης πόρτας),
 - b) Μεντεσέδες και μάνδαλα (σπασμένα ή χαλαρά),
 - c) Τσιμούχες θυρών και επιφάνειες σφράγισης.
4. Ο φούρνος δεν πρέπει να ρυθμίζεται ή να επισκευάζεται από κανέναν εκτός από εξειδικευμένο προσωπικό τεχνικής εξυπηρέτησης.

ΣΗΜΑΝΤΙΚΕΣ ΟΔΗΓΙΕΣ ΑΣΦΑΛΕΙΑΣ

Κατά τη χρήση ηλεκτρικών συσκευών πρέπει να τηρούνται οι βασικές προφυλάξεις ασφαλείας, συμπεριλαμβανομένων των ακόλουθων:

ΠΡΟΕΙΔΟΠΟΙΗΣΗ!--Για να μειώσετε τον κίνδυνο εγκαυμάτων, ηλεκτροπληξίας, πυρκαγιάς, τραυματισμών ή έκθεσης σε υπερβολική ενέργεια μικροκυμάτων:

1. Διαβάστε όλες τις οδηγίες πριν χρησιμοποιήσετε τη συσκευή και φυλάξτε τις για μελλοντική αναφορά.
2. Χρησιμοποιήστε αυτή τη συσκευή μόνο για τη χρήση για την οποία προορίζεται, όπως περιγράφεται στο εγχειρίδιο. Μην χρησιμοποιείτε διαβρωτικές χημικές ουσίες ή ατμούς σε αυτή τη συσκευή. Αυτός ο τύπος φούρνου έχει σχεδιαστεί ειδικά για να θερμαίνει, να μαγειρεύει ή να στεγνώνει τρόφιμα. Δεν έχει σχεδιαστεί για βιομηχανική ή εργαστηριακή χρήση.
3. Μην λειτουργείτε το φούρνο όταν είναι άδειος.
4. Μην χρησιμοποιείτε τη συσκευή εάν έχει φθαρεί το καλώδιο ή το βύσμα, εάν δεν λειτουργεί σωστά ή εάν έχει υποστεί ζημιά ή έχει πέσει. Εάν έχει προκληθεί ζημιά στο καλώδιο τροφοδοσίας, πρέπει να αντικατασταθεί από τον κατασκευαστή ή από

- τον εξουσιοδοτημένο τεχνικό του ή άτομο με παρόμοια τεχνική κατάρτιση έτσι ώστε να αποφευχθεί οποιοσδήποτε κίνδυνος.
5. **ΠΡΟΕΙΔΟΠΟΙΗΣΗ!**--Να επιτρέπεται στα παιδιά να χρησιμοποιούν το φούρνο χωρίς επίβλεψη μόνο όταν έχουν δοθεί επαρκείς οδηγίες έτσι ώστε το παιδί να μπορεί να χρησιμοποιεί το φούρνο με ασφαλή τρόπο και να κατανοεί τους κινδύνους ακατάλληλης χρήσης.
 6. **ΠΡΟΕΙΔΟΠΟΙΗΣΗ!**--Όταν η συσκευή λειτουργεί σε λειτουργία συνδυασμού, τα παιδιά πρέπει να χρησιμοποιούν το φούρνο μόνο υπό την επίβλεψη ενήλικου λόγω των θερμοκρασιών που παράγονται
 7. Για να μειωθεί ο κίνδυνος πυρκαγιάς μέσα στην κοιλότητα του φούρνου:
 - Όταν θερμαίνετε τρόφιμα σε πλαστικό ή χάρτινο δοχείο, να παρακολουθείτε το φούρνο λόγω της πιθανότητας ανάφλεξης.
 - Αφαιρέστε τις συστροφές σύρματος από χάρτινες ή πλαστικές σακούλες πριν τοποθετήσετε τη σακούλα στο φούρνο.
 - Εάν παρατηρηθεί καπνός, απενεργοποιήστε ή αποσυνδέστε τη συσκευή και κρατήστε την πόρτα κλειστή για να καταπνίξετε τυχόν φλόγες.
 - Μη χρησιμοποιείτε τον θάλαμο για σκοπούς φύλαξης. Μην αφήνετε προϊόντα χαρτιού, μαγειρικά σκεύη ή τρόφιμα στην κοιλότητα όταν δεν χρησιμοποιούνται.
 - Ο φούρνος μικροκυμάτων προορίζεται για τη θέρμανση τροφίμων και ποτών. Το στέγνωμα των ρούχων και η θέρμανση των θερμαντικών επιθεμάτων, των παντελονιών, των σπόγγων, των νωπών υφασμάτων και παρόμοιων ειδών μπορεί να οδηγήσει σε κίνδυνο τραυματισμού, ανάφλεξης ή πυρκαγιάς.
 8. **ΠΡΟΕΙΔΟΠΟΙΗΣΗ!**--Τα υγρά ή άλλα τρόφιμα δεν πρέπει να θερμαίνονται σε σφραγισμένα δοχεία, καθώς υπάρχει κίνδυνος έκρηξης.
 9. Η θέρμανση του αναψυκτικού με μικροκύματα μπορεί να έχει ως αποτέλεσμα καθυστερημένο εκρηκτικό βρασμό, επομένως απαιτείται προσοχή κατά το χειρισμό του δοχείου.
 10. Μην τηγανίζετε φαγητό στο φούρνο. Το καυτό λάδι μπορεί να βλάψει τα μέρη του φούρνου και τα σκεύη, ακόμη και να προκαλέσει εγκαύματα στο δέρμα.
 11. Τα αυγά με το κέλυφός τους και τα ολόκληρα βρασμένα αυγά δεν πρέπει να θερμαίνονται σε φούρνους μικροκυμάτων, δεδομένου ότι ενδέχεται να εκραγούν ακόμη και μετά το τέλος της θέρμανσης με μικροκύματα.
 12. Τρυπήστε τρόφιμα με βαριά δέρματα όπως πατάτες, ολόκληρα κολοκύθια, μήλα και κάστανα πριν από το μαγείρεμα.
 13. Το περιεχόμενο των φιαλών σίτισης και των δοχείων για βρέφη θα πρέπει να ανακατεύεται ή να ανακινείται και η θερμοκρασία θα πρέπει να ελέγχεται πριν από το σερβίρισμα προκειμένου να αποφεύγονται εγκαύματα.
 14. Τα μαγειρικά σκεύη μπορεί να θερμανθούν λόγω της θερμότητας που μεταφέρεται από τα θερμαινόμενα τρόφιμα. Μπορεί να χρειαστούν ποτηροθήκες για το χειρισμό των σκευών.
 15. Τα εξαρτήματα θα πρέπει να ελέγχονται για να διασφαλίζεται ότι είναι κατάλληλα για χρήση σε φούρνο μικροκυμάτων.
 16. **ΠΡΟΕΙΔΟΠΟΙΗΣΗ!**--Είναι επικίνδυνο για οποιοδήποτε εκτός από ένα εκπαιδευμένο άτομο να εκτελεί οποιαδήποτε εργασία συντήρησης ή επισκευής που περιλαμβάνει την αφαίρεση οποιουδήποτε καλύμματος που παρέχει προστασία από την έκθεση σε ενέργεια μικροκυμάτων.
 17. Αυτός ο φούρνος μικροκυμάτων συμμορφώνεται με το πρότυπο EN 55011/CISPR 11, στο οποίο ανήκει στην κατηγορία Β της ομάδας 2. Εξοπλισμός ομάδας 2:

- η ομάδα 2 περιέχει όλο τον εξοπλισμό ISM RF στον οποίο η ενέργεια ραδιοσυχνότητας στο εύρος συχνοτήτων 9 kHz έως 400 GHz παράγεται σκόπιμα και χρησιμοποιείται ή χρησιμοποιείται μόνο τοπικά, με τη μορφή ηλεκτρομαγνητικής ακτινοβολίας, επαγωγικής και/ή χωρητικής ζεύξης, για την επεξεργασία του υλικού, για σκοπούς επιθεώρησης/ανάλυσης, ή για μεταφορά ηλεκτρομαγνητικής ενέργειας. Ο εξοπλισμός της κατηγορίας B είναι εξοπλισμός κατάλληλος για χρήση σε τοποθεσίες σε οικιστικά περιβάλλοντα και σε εγκαταστάσεις που συνδέονται άμεσα με δίκτυο τροφοδοσίας χαμηλής τάσης το οποίο τροφοδοτεί κτίρια που χρησιμοποιούνται για οικιακούς σκοπούς.
18. Αυτή η συσκευή δεν προορίζεται για χρήση από άτομα (συμπεριλαμβανομένων των παιδιών) με μειωμένες σωματικές, αισθητηριακές ή διανοητικές ικανότητες ή έλλειψη εμπειρίας και γνώσης, εκτός εάν τους έχουν δοθεί οδηγίες αναφορικά με τη χρήση της συσκευής από ένα άτομο που είναι υπεύθυνο για την ασφάλεια τους.
 19. Τα παιδιά θα πρέπει να επιβλέπονται ώστε να διασφαλίζεται ότι δεν παίζουν με τη συσκευή.
 20. Ο φούρνος μικροκυμάτων χρησιμοποιείται μόνο σε ανεξάρτητη θέση.
 21. **ΠΡΟΕΙΔΟΠΟΙΗΣΗ!**--Μην τοποθετείτε φούρνο επάνω σε φούρνο μαγειρέματος ή άλλη συσκευή παραγωγής θερμότητας. Εάν τοποθετηθεί μπορεί να μπορεί να καταστραφεί και η εγγύηση δεν θα ισχύει.
 22. Ο φούρνος μικροκυμάτων δεν πρέπει να τοποθετείται μέσα σε ένα ντουλάπι.
 23. Η πόρτα ή η εξωτερική επιφάνεια μπορεί να θερμανθεί όταν η συσκευή λειτουργεί.
 24. **ΠΡΟΕΙΔΟΠΟΙΗΣΗ!**--Τα προσβάσιμα εξαρτήματα ενδέχεται να θερμανθούν κατά τη χρήση. Τα μικρά παιδιά πρέπει να κρατούνται μακριά.
 25. Κατά την διάρκεια της χρήσης οι συσκευές θερμαίνονται πολύ. Πρέπει να λαμβάνεται μέριμνα ώστε να αποφεύγεται η επαφή των θερμαντικών στοιχείων στο εσωτερικό του φούρνου, για το εύρος μαγειρέματος και τους φούρνους.
 26. Η θερμοκρασία των προσβάσιμων επιφανειών μπορεί να είναι υψηλή όταν η συσκευή λειτουργεί.
 27. Η συσκευή δεν πρέπει να χρησιμοποιείται από παιδιά ή άτομα με μειωμένες σωματικές, αισθητηριακές ή πνευματικές ικανότητες ή έλλειψη εμπειρίας και γνώσης, εκτός εάν τους έχει δοθεί επίβλεψη ή οδηγίες.
 28. **ΠΡΟΕΙΔΟΠΟΙΗΣΗ!**--Σε περίπτωση βλάβης των τσιμουχών της πόρτας ή της πόρτας, ο φούρνος δεν πρέπει να λειτουργεί έως ότου επισκευαστεί από αρμόδιο άτομο.
 29. Οι συσκευές δεν προορίζονται για λειτουργία μέσω εξωτερικού χρονοδιακόπτη ή ξεχωριστού συστήματος τηλεχειρισμού.
 30. Ο φούρνος μικροκυμάτων προορίζεται μόνο για οικιακή χρήση και όχι για εμπορική χρήση.
 31. Μην αφαιρείτε ποτέ τη διάταξη συγκράτησης απόστασης στο πίσω μέρος ή στα πλάγια, καθώς εξασφαλίζει μια ελάχιστη απόσταση από τον τοίχο για την κυκλοφορία του αέρα.
 32. Ασφαλίστε την περιστρεφόμενη βάση πριν μετακινήσετε τη συσκευή για να αποφύγετε ζημιές.
 33. **ΠΡΟΣΟΧΗ!**--Είναι επικίνδυνο να επισκευάσετε ή να συντηρήσετε τη συσκευή από κάποιον που δεν είναι ειδικός, διότι υπό αυτές τις συνθήκες πρέπει να αφαιρέσετε το κάλυμμα που εξασφαλίζει την προστασία από την ακτινοβολία μικροκυμάτων.

- Αυτό ισχύει και για την αλλαγή του καλωδίου τροφοδοσίας ή του φωτισμού. Στείλτε τη συσκευή σε αυτές τις περιπτώσεις στο κέντρο επισκευής μας.
34. Ο φούρνος μικροκυμάτων προορίζεται μόνο για την απόψυξη, το μαγείρεμα και τον ατμό των τροφίμων.
 35. Χρησιμοποιήστε γάντια αν αφαιρέσετε τυχόν τρόφιμα που έχουν θερμανθεί.
 36. Προσοχή! Ο ατμός θα διαφύγει, όταν ανοίγετε τα καπάκια ή το αλουμινοχαρτο περιτυλίγματος.
 37. Αυτή η συσκευή μπορεί να χρησιμοποιηθεί από παιδιά ηλικίας 8 ετών ή μεγαλύτερα και από άτομα με μειωμένες σωματικές, αισθητηριακές ή διανοητικές ικανότητες ή έλλειψη εμπειρίας και γνώσης εάν είναι υπό επίβλεψη ή τους έχουν δοθεί οδηγίες αναφορικά με τη χρήση της συσκευής με ασφαλή τρόπο και έχουν κατανοήσει τους κινδύνους που ενέχονται. Τα παιδιά δεν θα πρέπει να παίζουν με την συσκευή. Ο καθαρισμός και η συντήρηση από το χρήστη δεν πρέπει να γίνονται από παιδιά εκτός εάν είναι ηλικίας 8 ετών και άνω και επιβλέπονται.
 38. Εάν εκπέμπεται καπνός, απενεργοποιήστε ή αποσυνδέστε τη συσκευή και κρατήστε την πόρτα κλειστή για να καταπνίξετε τυχόν φλόγες.

ΟΔΗΓΟΣ ΕΓΚΑΤΑΣΤΑΣΗΣ

1. Βεβαιωθείτε ότι όλα τα υλικά συσκευασίας έχουν αφαιρεθεί από το εσωτερικό της πόρτας.
2. **ΠΡΟΕΙΔΟΠΟΙΗΣΗ!**--Ελέγξτε το φούρνο για τυχόν ζημιές, όπως εσφαλμένα ευθυγραμμισμένη ή λυγισμένη πόρτα, χαλασμένες τσιμούχες και επιφάνειες στεγανοποίησης, σπασμένους ή χαλαρούς μεντεσέδες και κλειδαριές πόρτας και βαθουλώματα μέσα στον θάλαμο ή στην πόρτα. Εάν υπάρχει οποιαδήποτε ζημιά, μην χρησιμοποιείτε το φούρνο και επικοινωνήστε με εξειδικευμένο προσωπικό τεχνικής εξυπηρέτησης.
3. Αυτός ο φούρνος μικροκυμάτων πρέπει να τοποθετείται σε επίπεδη, σταθερή επιφάνεια για να συγκρατεί το βάρος του και το βαρύτερο φαγητό που μπορεί να μαγειρευτεί στο φούρνο.
4. Μην τοποθετείτε το φούρνο όπου παράγεται θερμότητα, υγρασία ή υψηλή υγρασία ή κοντά σε εύφλεκτα υλικά.
5. Για τη σωστή λειτουργία, ο φούρνος πρέπει να έχει επαρκή ροή αέρα. Αφήστε τουλάχιστον 20 cm ελεύθερου χώρου πάνω από την άνω επιφάνεια του φούρνου και 5 cm και στις δύο πλευρές. Η οπίσθια πλάκα του φούρνου μικροκυμάτων πρέπει να τοποθετείται κοντά στον τοίχο. Μην καλύπτετε και μην μπλοκάρτε τυχόν ανοίγματα της συσκευής. Μην αφαιρείτε τα πόδια.
6. Μην λειτουργείτε το φούρνο χωρίς τον γυάλινο δίσκο, το στήριγμα κυλίνδρου, και τον άξονα στις σωστές θέσεις τους.
7. Βεβαιωθείτε ότι το καλώδιο τροφοδοσίας είναι άθικτο και δεν λειτουργεί κάτω από το φούρνο ή πάνω από οποιαδήποτε θερμή ή αιχμηρή επιφάνεια.
8. Η πρίζα πρέπει να είναι εύκολα προσβάσιμη ώστε να μπορεί εύκολα να αποσυνδεθεί σε περίπτωση έκτακτης ανάγκης.
9. Μην χρησιμοποιείτε το φούρνο σε εξωτερικούς χώρους.

ΟΔΗΓΙΕΣ ΓΕΙΩΣΗΣ

Αυτή η συσκευή πρέπει να γειωθεί. Αυτός ο φούρνος είναι εξοπλισμένος με καλώδιο που έχει καλώδιο γείωσης με βύσμα γείωσης. Πρέπει να είναι συνδεδεμένο σε πρίζα τοίχου που είναι σωστά τοποθετημένη και γειωμένη. Σε περίπτωση ηλεκτρικού βραχυκυκλώματος, η γείωση μειώνει τον κίνδυνο ηλεκτροπληξίας παρέχοντας ένα σύρμα διαφυγής για το ηλεκτρικό ρεύμα. Συνιστάται να παρέχεται ξεχωριστό κύκλωμα που να εξυπηρετεί μόνο το φούρνο. Η χρήση υψηλής τάσης είναι επικίνδυνη και μπορεί να οδηγήσει σε πυρκαγιά ή άλλο ατύχημα που θα προκαλέσει ζημιά στο φούρνο. **ΠΡΟΕΙΔΟΠΟΙΗΣΗ!**--Η ακατάλληλη χρήση του βύσματος γείωσης μπορεί να οδηγήσει σε κίνδυνο ηλεκτροπληξίας. Σημείωση:

1. Εάν έχετε απορίες σχετικά με τις οδηγίες γείωσης ή τις ηλεκτρικές οδηγίες, συμβουλευτείτε εξειδικευμένο ηλεκτρολόγο ή τεχνικό από την τεχνική εξυπηρέτηση.
2. Ούτε ο κατασκευαστής ούτε ο αντιπρόσωπος μπορούν να αποδεχθούν οποιαδήποτε ευθύνη για ζημιά στο φούρνο ή τραυματισμό που προκύπτει από τη μη τήρηση των διαδικασιών ηλεκτρικής σύνδεσης.

Τα καλώδια σε αυτό το καλώδιο έχουν χρωματιστεί σύμφωνα με τον ακόλουθο κώδικα:

Πράσινο και κίτρινο = ΓΕΙΩΣΗ

Μπλε = ΟΥΔΕΤΕΡΟΣ

Καφέ = ΦΑΣΗ

ΡΑΔΙΟΗΛΕΚΤΡΙΚΕΣ ΠΑΡΕΜΒΟΛΕΣ

Η λειτουργία του φούρνου μικροκυμάτων μπορεί να προκαλέσει παρεμβολές στο ραδιόφωνο, την τηλεόραση ή παρόμοιο εξοπλισμό. Όταν υπάρχει παρεμβολή, μπορεί να μειωθεί ή να εξαλειφθεί με τη λήψη των ακόλουθων μέτρων:

1. Καθαρίστε την πόρτα και την επιφάνεια σφράγισης του φούρνου.
2. Επαναπροσανατολίστε την κεραία λήψης του ραδιοφώνου ή της τηλεόρασης.
3. Μετακινήστε το φούρνο μικροκυμάτων σε σχέση με το δέκτη.
4. Μετακινήστε το φούρνο μικροκυμάτων μακριά από το δέκτη.
5. Συνδέστε το φούρνο μικροκυμάτων σε διαφορετική πρίζα έτσι ώστε ο φούρνος μικροκυμάτων και ο δέκτης να βρίσκονται σε διαφορετικά κυκλώματα διακλάδωσης.

ΠΡΙΝ ΚΑΛΕΣΕΤΕ ΤΗΝ ΥΠΗΡΕΣΙΑ

Πριν ζητήσετε τεχνική υποστήριξη, ελέγξτε κάθε στοιχείο παρακάτω:

- Ελέγξτε για να βεβαιωθείτε ότι ο φούρνος είναι συνδεδεμένος με ασφάλεια. Εάν όχι, αφαιρέστε το βύσμα από την πρίζα, περιμένετε 10 δευτερόλεπτα και συνδέστε το ξανά με ασφάλεια.
- Ελέγξτε για καμένη ασφάλεια κυκλώματος ή ενεργοποιημένο κεντρικό ασφαλειοδιακόπτη. Αν αυτά φαίνονται να λειτουργούν σωστά, δοκιμάστε την πρίζα με άλλη συσκευή.
- Ελέγξτε για να βεβαιωθείτε ότι ο πίνακας ελέγχου έχει προγραμματιστεί σωστά και ότι ο χρονοδιακόπτης έχει ρυθμιστεί.
- Ελέγξτε για να βεβαιωθείτε ότι η πόρτα είναι καλά κλειστή, ενεργοποιώντας το σύστημα κλειδώματος της πόρτας. Αν η πόρτα δεν κλείσει σωστά, η ενέργεια μικροκυμάτων δεν θα ρέει μέσα.

ΕΑΝ ΚΑΝΕΝΑ ΑΠΟ ΤΑ ΠΑΡΑΠΑΝΩ ΔΕΝ ΔΙΟΡΘΩΝΕΙ ΤΗΝ ΚΑΤΑΣΤΑΣΗ, ΕΠΙΚΟΙΝΩΝΗΣΤΕ ΜΕ ΕΝΑΝ ΕΞΕΙΔΙΚΕΥΜΕΝΟ ΤΕΧΝΙΚΟ. ΜΗΝ ΠΡΟΣΠΑΘΗΣΕΤΕ ΝΑ ΡΥΘΜΙΣΕΤΕ Ή ΝΑ ΕΠΙΣΚΕΥΑΣΕΤΕ ΤΟ ΦΟΥΡΝΟ ΜΟΝΟΙ ΣΑΣ.

ΤΕΧΝΙΚΕΣ ΜΑΓΕΙΡΕΜΑΤΟΣ

1. Τακτοποιήστε το φαγητό προσεκτικά. Τοποθετήστε τις πιο πυκνές περιοχές προς τα έξω από το πιάτο.
2. Παρακολουθήστε το χρόνο μαγειρέματος. Μαγειρέψτε για το συντομότερο χρονικό διάστημα που υποδεικνύεται και προσθέστε περισσότερο, όπως απαιτείται. Τα πάρα πολύ ψημένα τρόφιμα μπορούν να καπνίσουν ή να αναφλεγούν.
3. Καλύψτε τα τρόφιμα ενώ μαγειρεύετε. Τα καλύμματα αποτρέπουν το πιτσίλισμα και βοηθούν τα τρόφιμα να μαγειρεύουν ομοιόμορφα.
4. Αναποδογυρίστε τα τρόφιμα μία φορά κατά τη διάρκεια του μαγειρέματος στο φούρνο μικροκυμάτων για να επιταχύνετε το μαγείρεμα τροφίμων όπως κοτόπουλο και χάμπουργκερ. Μεγάλα αντικείμενα όπως τα ψητά πρέπει να αναποδογυρίζονται τουλάχιστον μία φορά.
5. Αναδιατάξτε τα τρόφιμα όπως κεφτέδες στα μισά του μαγειρέματος τόσο από πάνω προς τα κάτω όσο και από το κέντρο του πιάτου προς τα έξω.

ΟΔΗΓΟΣ ΜΑΓΕΙΡΙΚΩΝ ΣΚΕΥΩΝ

1. Ο φούρνος μικροκυμάτων δεν μπορεί να διαπεράσει το μέταλλο. Χρησιμοποιείτε μόνο σκεύη κατάλληλα για χρήση σε φούρνους μικροκυμάτων. Τα μεταλλικά δοχεία για τρόφιμα και ποτά δεν επιτρέπονται κατά τη διάρκεια του μαγειρέματος στο φούρνο μικροκυμάτων. Η απαίτηση αυτή δεν ισχύει εάν ο κατασκευαστής καθορίζει

το μέγεθος και το σχήμα των μεταλλικών δοχείων που είναι κατάλληλα για μαγείρεμα σε φούρνο μικροκυμάτων.

2. Ο φούρνος μικροκυμάτων δεν μπορεί να διεισδύσει στο μέταλλο, επομένως δεν πρέπει να χρησιμοποιούνται μεταλλικά σκεύη ή πιάτα με μεταλλικό φινίρισμα.
3. Μην χρησιμοποιείτε ανακυκλωμένα προϊόντα χαρτιού κατά το μαγείρεμα σε φούρνο μικροκυμάτων, καθώς μπορεί να περιέχουν μικρά μεταλλικά θραύσματα που μπορεί να προκαλέσουν σπινθήρες και/ή πυρκαγιές.
4. Συνιστώνται στρογγυλά/οβάλ πιάτα αντί για τετράγωνα/επιμήκη, καθώς το φαγητό στις γωνίες τείνει να παραψήνεται.
5. Στενές ταινίες από φύλλο αλουμινίου μπορούν να χρησιμοποιηθούν για την πρόληψη του υπερβολικού βρασμού των εκτεθειμένων περιοχών. Αλλά προσέξτε να μην χρησιμοποιήσετε πάρα πολύ και κρατήστε απόσταση 2,54 cm (1 ίντσα) μεταξύ του φύλλου αλουμινίου και του θαλάμου.

Η παρακάτω λίστα είναι ένας γενικός οδηγός που θα σας βοηθήσει να επιλέξετε τα σωστά σκεύη.

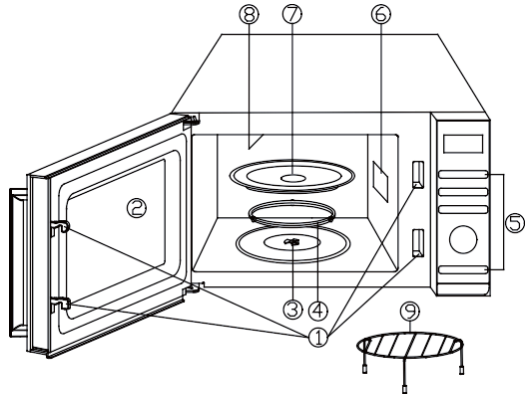
ΣΚΕΥΗ ΜΑΓΕΙΡΕΜΑΤΟΣ	MICROWAVE	ΓΚΡΙΛ	ΣΥΝΔΥΑΣΜΟΣ
Θερμοανθεκτικό γυαλί	Ναι	Ναι	Ναι
Γυαλί μη ανθεκτικό στη θερμότητα	Όχι	Όχι	Όχι
Θερμοανθεκτικά κεραμικά	Ναι	Ναι	Ναι
Πλαστικό πιάτο ασφαλές για μικροκύματα	Ναι	Όχι	Όχι
Χαρτί κουζίνας	Ναι	Όχι	Όχι
Μεταλλικός δίσκος	Όχι	Ναι	Όχι
Μεταλλική σχάρα	Όχι	Ναι	Όχι
Δοχεία από αλουμίνιο και αλουμινόχαρτο	Όχι	Ναι	Όχι

ΤΕΧΝΙΚΑ ΧΑΡΑΚΤΗΡΙΣΤΙΚΑ

Κατανάλωση ισχύος:	230-240 V/50 Hz, 1200 W (μικροκύματα) 900 W (Ψησταριά)
Ονομαστική ισχύς εξόδου μικροκυμάτων:	700 W
Συχνότητα λειτουργίας:	2450 MHz
Εξωτερικές διαστάσεις:	262 mm (Y) × 452 mm (Π) × 357 mm (B)
Διαστάσεις θαλάμου φούρνου:	198 mm (Y) × 315 mm (Π) × 297 mm (B)
Χωρητικότητα φούρνου:	20 λίτρα
Καθαρό βάρος:	Περίπου 11,3 kg

ΔΙΑΓΡΑΜΜΑ ΠΡΟΪΟΝΤΟΣ

1. Σύστημα κλειδώματος πόρτας
2. Παράθυρο φούρνου
3. Άξονας
4. Κύλινδρος κύλισης
5. Πίνακας ελέγχου
(Μην αφαιρέσετε την πλάκα μαρμαρυγίας που καλύπτει τον κυματοδηγό)
6. Οδηγός κυμάτων
7. Γυάλινος δίσκος
8. Θερμαντήρας σχάρας
9. Μεταλλική σχάρα



ΠΙΝΑΚΑΣ ΕΛΕΓΧΟΥ



● ΟΘΟΝΗ ΔΡΑΣΗΣ ΜΕΝΟΥ

Εμφανίζονται οι ενδείξεις χρόνου μαγειρέματος, ισχύος, δράσης.

● POWER

Πατήστε για να ρυθμίσετε το επίπεδο ισχύος μαγειρικής μικροκυμάτων.

● ΡΥΘΜΙΣΗ ΒΑΡΟΥΣ

Πιέστε για να ρυθμίσετε το βάρος του φαγητού ή τις μερίδες.

● GRILL

Πατήστε για να ρυθμίσετε το πρόγραμμα ψησίματος στη σχάρα.

● ΣΥΝΔΥΑΣΜΟΣ

Πιέστε για να ρυθμίσετε το πρόγραμμα συνδυαστικού μαγειρέματος.

● ΑΥΤΟΜΑΤΗ ΑΠΟΨΥΞΗ Auto

Πατήστε μία φορά για να ξεπαγώσετε τα τρόφιμα βάσει του χρόνου. Πατήστε δύο φορές για να ξεπαγώσετε τα τρόφιμα με βάση το βάρος.

● ΡΟΛΟΙ

Πιέστε για να ρυθμίσετε την ώρα.

● MENU/TIME (επιλογέας)

Γυρίστε τον επιλογέα για να ρυθμίσετε την ώρα.

Περιστρέψτε τον επιλογέα για να επιλέξετε το μενού αυτόματου μαγειρέματος.

● ΠΑΥΣΗ/ΑΚΥΡΩΣΗ Cancel


Πατήστε μία φορά για να διακόψετε προσωρινά το μαγείρεμα ή δύο φορές για να ακυρώσετε εντελώς το μαγείρεμα.

● START/QUICK START Quick Start

Πιέστε για να ξεκινήσετε τα προγράμματα μαγειρέματος και απόψυξης.

Απλά πατήστε το αρκετές φορές για να ρυθμίσετε το χρόνο μαγειρέματος και να μαγειρέψετε αμέσως σε επίπεδο πλήρους ισχύος.

ΟΔΗΓΙΕΣ ΧΡΗΣΗΣ

- Όταν ο φούρνος συνδεθεί για πρώτη φορά στην πρίζα, θα ακουστεί ένα ηχητικό σήμα και στην οθόνη θα εμφανιστεί η ένδειξη "1:01" και .
- Κατά τη διαδικασία ρύθμισης, ο φούρνος διακόπτεται για περίπου 25 δευτερόλεπτα και επανέρχεται σε κατάσταση αναμονής.
- Κατά τη διάρκεια του μαγειρέματος, αν πατήσετε μία φορά το κουμπί PAUSE/CANCEL, το πρόγραμμα θα διακοπεί, και στη συνέχεια πατήστε το κουμπί START/QUICK START για να συνεχίσετε. Αλλά αν πατήσετε το κουμπί PAUSE/CANCEL δύο φορές, το πρόγραμμα θα ακυρωθεί.
- Μετά το τέλος του μαγειρέματος, στην οθόνη θα εμφανιστεί η ένδειξη End και θα ακούγεται ένας ήχος κάθε δύο λεπτά μέχρι ο χρήστης να πατήσει το κουμπί PAUSE/CANCEL ή να ανοίξει την πόρτα.
- Κατά τη διαδικασία λειτουργίας, πατήστε ένα έγκυρο κουμπί, ο βομβητής χτυπάει μία φορά, αλλά αν πατήσετε ένα άκυρο κουμπί, ο βομβητής χτυπάει δύο φορές.
- Το ηλεκτρονικό σύστημα ελέγχου του φούρνου μικροκυμάτων έχει το χαρακτηριστικό της ψύξης. Για κάθε λειτουργία μαγειρέματος με χρόνο μαγειρέματος πάνω από 2 λεπτά, μετά το τέλος του μαγειρέματος, ανοίξτε την πόρτα του φούρνου ή διακόψτε το πρόγραμμα μαγειρέματος, ο ανεμιστήρας του φούρνου θα λειτουργήσει αυτόματα για περίπου 3 λεπτά για να ψύξει το φούρνο για να παρατείνει τη διάρκεια ζωής του φούρνου.
- Προσοχή!- Ο ανεμιστήρας ψύξης θα λειτουργήσει αυτόματα για περίπου 3 λεπτά εάν το μαγείρεμα ο χρόνος είναι μεγαλύτερος από 2 λεπτά.

ΡΥΘΜΙΣΗ ΩΡΑΣ ΡΟΛΟΙΟΥ

Πρόκειται για ένα ρολόι 12 και 24 ωρών, μπορείτε να επιλέξετε να ρυθμίσετε την ώρα του ρολογιού σε κύκλο 12 ή 24 ωρών πατώντας το κουμπί CLOCK στη λειτουργία αναμονής.

1. Στη λειτουργία αναμονής, πατήστε επανειλημμένα το κουμπί CLOCK για να επιλέξετε 12ωρο ή 24ωρο ρολόι.
2. Περιστρέψτε τον επιλογέα MENU/TIME για να ρυθμίσετε το ψηφίο της ώρας.
3. Πατήστε το κουμπί CLOCK μία φορά.
4. Περιστρέψτε τον επιλογέα MENU/TIME για να ρυθμίσετε το ψηφίο του λεπτού.
5. Πατήστε το κουμπί CLOCK μία φορά για επιβεβαίωση.

ΣΗΜΕΙΩΣΗ: Κατά τη διάρκεια του μαγειρέματος, μπορείτε να ελέγξετε την τρέχουσα ώρα του ρολογιού πατώντας το κουμπί CLOCK.

ΜΑΓΕΙΡΕΜΑ ΕΞΠΡΕΣ

Χρησιμοποιήστε αυτή τη λειτουργία για να προγραμματίσετε το φούρνο να βάζει τα τρόφιμα σε φούρνο μικροκυμάτων με 100% ισχύ βολικά. Στη λειτουργία αναμονής, απλώς πατήστε επανειλημμένα το κουμπί START/QUICK START για να ρυθμίσετε το χρόνο μαγειρέματος (κάθε πάτημα αυξάνει κατά 30 δευτερόλεπτα και μέχρι 10 λεπτά), ο φούρνος αρχίζει να λειτουργεί αυτόματα με πλήρη ισχύ.

ΜΑΓΕΙΡΕΜΑ ΜΙΚΡΟΚΥΜΑΤΩΝ

1. Στη λειτουργία αναμονής, πατήστε επανειλημμένα το κουμπί POWER για να επιλέξετε το επίπεδο ισχύος.
2. Γυρίστε τον επιλογέα MENU/TIME δεξιόστροφα για να ρυθμίσετε το χρόνο μαγειρέματος. Ο μεγαλύτερος χρόνος είναι 95 λεπτά.
3. Πιέστε το κουμπί START/QUICK START για επιβεβαίωση.

Πατήστε το κουμπί POWER για να επιλέξετε το επίπεδο ισχύος:

Πατήστε το κουμπί POWER	Ισχύς (Οθόνη)	Πατήστε το κουμπί POWER	Ισχύς (Οθόνη)
Μία φορά	100% (100)	7 φορές	40% (40)
Δύο φορές	90% (90)	8 φορές	30% (30)
3 φορές	80% (80)	9 φορές	20% (20)
4 φορές	70% (70)	10 φορές	10% (10)
5 φορές	60% (60)	11 φορές	00% (00)
6 φορές	50% (50)		

ΣΗΜΕΙΩΣΗ: Κατά τη διάρκεια του μαγειρέματος, μπορείτε να ελέγξετε το επίπεδο ισχύος μαγειρέματος πατώντας το κουμπί POWER.

ΧΡΟΝΟΣ ΑΠΟΨΥΞΗΣ

1. Στη λειτουργία αναμονής, πατήστε το κουμπί AUTO DEFROST μία φορά.
2. Περιστρέψτε τον επιλογέα MENU/TIME για να ρυθμίσετε το χρόνο απόψυξης. Ο μεγαλύτερος χρόνος είναι 95 λεπτά.
3. Πιέστε το κουμπί START/QUICK START για επιβεβαίωση.

ΣΗΜΕΙΩΣΗ: Κατά τη διάρκεια του προγράμματος απόψυξης, το σύστημα θα σταματήσει και θα ηχήσει για να υπενθυμίσει στο χρήστη να γυρίσει το φαγητό ανάποδα, και στη συνέχεια να πατήσει το κουμπί START/QUICK START για να συνεχίσει.

ΑΥΤΟΜΑΤΗ ΑΠΟΨΥΞΗ

Ο χρόνος απόψυξης και το επίπεδο ισχύος ρυθμίζονται αυτόματα μόλις προγραμματιστεί το βάρος των τροφίμων. Το βάρος των κατεψυγμένων τροφίμων κυμαίνεται από 100 g έως 1800 g.

1. Στη λειτουργία αναμονής, πατήστε το κουμπί AUTO DEFROST δύο φορές.
2. Πατήστε επανειλημμένα το κουμπί WEIGHT ADJUST για να επιλέξετε το βάρος του φαγητού.
3. Πιέστε το κουμπί START/QUICK START για επιβεβαίωση.

ΣΗΜΕΙΩΣΗ: Κατά τη διάρκεια της απόψυξης, το σύστημα θα κάνει παύση και θα ηχήσει για να υπενθυμίσει στον χρήστη να γυρίσει το φαγητό και, στη συνέχεια, πατήστε το κουμπί START/QUICK START για να συνεχίσετε.

ΓΚΡΙΑ

Το ψήσιμο στη σχάρα είναι ιδιαίτερα χρήσιμο για λεπτές φέτες κρέατος, μπριζόλες, παϊδάκια, κεμπάπ, λουκάνικα και κομμάτια κοτόπουλου. Είναι επίσης κατάλληλο για ζεστά σάντουιτς και πιάτα ογκρατέν.

1. Στη λειτουργία αναμονής, πατήστε το κουμπί GRILL μία φορά.
2. Περιστρέψτε τον επιλογέα MENU/TIME για να ρυθμίσετε το χρόνο μαγειρέματος. Ο μεγαλύτερος χρόνος είναι 95 λεπτά.
3. Πιέστε το κουμπί START/QUICK START για επιβεβαίωση.

ΣΥΝΔΥΑΣΜΟΣ

Το γκριλ λειτουργεί περισσότερο χρόνο από το φούρνο μικροκυμάτων σε συνδυασμό 1 λειτουργία μαγειρέματος, χρήση για ψάρι και ογκρατέν. Αλλά ο φούρνος μικροκυμάτων λειτουργεί περισσότερο χρόνο από το ψήσιμο στη σχάρα σε συνδυασμό με 2 τρόπους μαγειρέματος, τη χρήση για πουτίγκα, ομελέτες, ψητές πατάτες και πουλερικά.

1. Στη λειτουργία αναμονής, πατήστε το κουμπί COMBINATION μία ή δύο φορές για να επιλέξετε "Co-1" ή "Co-2".
2. Περιστρέψτε τον επιλογέα MENU/TIME για να ρυθμίσετε το χρόνο μαγειρέματος. Ο μεγαλύτερος χρόνος είναι 95 λεπτά.
3. Πιέστε το κουμπί START/QUICK START για επιβεβαίωση.

ΑΥΤΟΜΑΤΟΣ ΚΑΘΑΡΙΣΜΟΣ

Βάζουμε στον φούρνο ένα μπολ με 300 γρ. νερό και κλείνουμε την πόρτα.

1. Στη λειτουργία αναμονής, γυρίστε αριστερόστροφα τον επιλογέα ΜΕΝΟΥ/ΩΡΑΣ και, στη συνέχεια, γυρίστε τον επιλογέα μέχρι η οθόνη να εμφανίσει "A-19" και "ΑΥΤΟ".
2. Πατήστε το κουμπί ΡΥΘΜΙΣΗΣ ΒΑΡΟΥΣ μία φορά.
3. Πατήστε το κουμπί START/QUICK START για να ξεκινήσετε.

ΣΗΜΕΙΩΣΗ: Ο χρόνος καθαρισμού είναι 10 λεπτά.

ΠΑΙΔΙΚΗ ΑΣΦΑΛΕΙΑ

Χρησιμοποιήστε το για να αποτρέψετε τη μη επιτηρούμενη λειτουργία του φούρνου από παιδιά.

Για να μπειτε σε κλειδαριά ασφαλείας για παιδιά: Στη λειτουργία αναμονής, εάν δεν υπάρξει καμία λειτουργία εντός ενός λεπτού, ο φούρνος θα εισέλθει αυτόματα στη λειτουργία κλειδώματος για παιδιά και η ενδεικτική λυχνία κλειδώματος θα ανάψει. Στην κατάσταση κλειδώματος, όλα τα κουμπιά είναι απενεργοποιημένα.

Για να ακυρώσετε: Στη λειτουργία κλειδώματος για παιδιά, ανοίξτε ή κλείστε την πόρτα του φούρνου για να ακυρώσετε το πρόγραμμα και η ενδεικτική λυχνία κλειδώματος θα σβήσει.

ΑΥΤΟΜΑΤΟ ΜΑΓΕΙΡΕΜΑ

Για το επόμενο φαγητό ή τη λειτουργία μαγειρέματος, δεν είναι απαραίτητο να προγραμματίσετε το χρόνο μαγειρέματος και την ισχύ μαγειρέματος. Αρκεί να αναφέρετε το είδος του φαγητού που θέλετε να μαγειρέψετε καθώς και το βάρος ή τις μερίδες του φαγητού.

1. Στη λειτουργία αναμονής, γυρίστε τον επιλογέα MENU/TIME αριστερόστροφα για να επιλέξετε κωδικό φαγητού.
2. Πατήστε επανειλημμένα το κουμπί WEIGHT ADJUST για να επιλέξετε το βάρος του φαγητού ή τις μερίδες.
3. Πιέστε το κουμπί START/QUICK START για επιβεβαίωση.

Μενού αυτόματου μαγειρέματος:

Κωδικός	Τρόφιμο	Βάρος/ ποσότητα	Σημείωση
A-01	Γάλα/καφές/τσάι (200 ml/φλιτζάνι)	1 φλ.	Στην οθόνη θα εμφανιστεί ο αριθμός των μερίδων αντί για το βάρος του φαγητού
		2 φλιτζάνια	
		3 φλιτζάνια	
A-02	Σπαγγέτι	100 g	
		200 g	
		300 g	
A-03	Πατάτα	100 g	
		200 g	
		300 g	
A-04	Αυτόματη αναθέρμανση	200 g	
		300 g	
		400 g	
		500 g	
		600 g	
		700 g	
		800 g	
A-05	Ψάρι	200 g	
		300 g	
		400 g	
		500 g	
		600 g	

Κωδικός	Τρόφιμο	Βάρος/ ποσότητα	Σημείωση
A-06	Ποτπορν	100 g	
A-07	Κοτόπουλο	800 g	Κατά τη διάρκεια του μαγειρέματος ο φούρνος θα σταματήσει για να υπενθυμίσει στο χρήστη να γυρίσει το φαγητό, και μετά θα πατήσει το κουμπί START/QUICK START για να συνεχίσει
		1000 g	
		1200 g	
		1400 g	
A-08	Μοσχάρι/Αρνί	200 g	
		300 g	
		400 g	
		500 g	
		600 g	
A-09	Κρέας σούβλας	100 g	Κατά τη διάρκεια του μαγειρέματος ο φούρνος θα σταματήσει για να υπενθυμίσει στο χρήστη να γυρίσει το φαγητό, και μετά θα πατήσει το κουμπί START/QUICK START για να συνεχίσει
		200 g	
		300 g	
		400 g	
		500 g	
A-10	Σούπα	1	γρ/μερίδα
		2	
		3	
A-11	Πόρριτζ	50 g	
		100 g	
		150 g	

Κωδικός	Τρόφιμο	Βάρος/ ποσότητα	Σημείωση
A-12	νωπά λαχανικά	200 g	
		300 g	
		400 g	
		500 g	
		600 g	
A-13	Κατεψυγμένα λαχανικά	200 g	
		300 g	
		400 g	
		500 g	
		600 g	
A-14	Ρύζι	150 g	
		300 g	
		450 g	
		600 g	
A-15	Πίτσα	150 g	
		300 g	
		450 g	
A-16	Ψάρια στη σχάρα	200 g	Κατά τη διάρκεια του μαγειρέματος ο φούρνος θα σταματήσει για να υπενθυμίσει στο χρήστη να γυρίσει το φαγητό, και μετά θα πατήσει το κουμπί START/QUICK START για να συνεχίσει
		300 g	
		400 g	
		500 g	
		600 g	
A-17	Ψητό μπέικον	100 g	
		200 g	
		300 g	

Κωδικός	Τρόφιμο	Βάρος/ ποσότητα	Σημείωση
A-18	Αλλαντικά	100 g	Κατά τη διάρκεια του μαγειρέματος ο φούρνος θα σταματήσει για να υπενθυμίσει στο χρήστη να γυρίσει το φαγητό, και μετά θα πατήσει το κουμπί START/QUICK START για να συνεχίσει
		200 g	
		300 g	
		400 g	
		500 g	
A-19	Αυτόματος καθαρισμός/(η απόδοση θα είναι η σταγόνα νερού που γεμίζει το εσωτερικό της κοιλότητας)		

Το αποτέλεσμα του αυτόματου μαγειρέματος εξαρτάται από παράγοντες όπως το σχήμα και το μέγεθος του φαγητού, η προσωπική σας προτίμηση ως προς τη λειτουργικότητα ορισμένων τροφίμων και ακόμη και το πόσο καλά τυχαίνει να τοποθετείτε το φαγητό στο φούρνο. Αν το αποτέλεσμα δεν σας ικανοποιεί καθόλου, ρυθμίστε λίγο το χρόνο μαγειρέματος ανάλογα.

ΚΑΘΑΡΙΣΜΟΣ ΚΑΙ ΦΡΟΝΤΙΔΑ

1. Κλείστε το φούρνο και αποσυνδέστε το καλώδιο τροφοδοσίας από τον τοίχο κατά τον καθαρισμό.
2. Διατηρείτε το εσωτερικό του φούρνου καθαρό. Όταν οι πιπιλιές τροφίμων ή τα υγρά που έχουν χυθεί προσκολλώνται στα τοιχώματα του φούρνου, σκουπίστε με ένα υγρό πανί. Εάν ο φούρνος λερωθεί πολύ, μπορούν να χρησιμοποιηθούν ήπια απορρυπαντικά. Αποφύγετε τη χρήση σπρέι ή άλλων σκληρών καθαριστικών. Ενδέχεται να λεκιάσουν, να σκιάσουν ή να θαμπώσουν την επιφάνεια της πόρτας.
3. Το εξωτερικό του φούρνου πρέπει να καθαρίζεται με υγρό πανί. Για να αποφύγετε την πρόκληση ζημιάς στα μέρη του φούρνου, δεν πρέπει να επιτρέψετε τη διαρροή νερού στα ανοίγματα εξαερισμού.
4. Σκουπίστε συχνά την πόρτα και το παράθυρο και στις δύο πλευρές, τις σφραγίσεις της πόρτας και τα παρακείμενα μέρη με ένα υγρό πανί για να αφαιρέσετε τυχόν κηλίδες ή πιπιλιές. Μη χρησιμοποιείτε λειαντικό καθαριστικό.
5. Δεν πρέπει να χρησιμοποιείται ατμοκαθαριστής.
6. Μην αφήνετε τον πίνακα ελέγχου να βραχεί. Καθαρίστε με ένα μαλακό, υγρό πανί. Κατά τον καθαρισμό του πίνακα ελέγχου, αφήστε την πόρτα του φούρνου ανοιχτή για να αποφύγετε την ακούσια ενεργοποίηση του φούρνου.

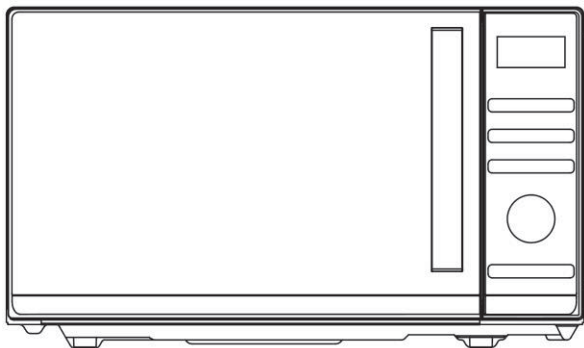
7. Εάν συσσωρευτεί ατμός μέσα ή γύρω από το εξωτερικό της πόρτας του φούρνου, σκουπίστε με ένα μαλακό πανί. Αυτό μπορεί να συμβεί όταν ο φούρνος μικροκυμάτων λειτουργεί σε συνθήκες υψηλής υγρασίας. Και είναι φυσιολογικό.
8. Περιστασιακά είναι απαραίτητο να αφαιρέσετε το γυάλινο δίσκο για καθαρισμό. Πλύνετε το δίσκο με ζεστό σαπουνόνερο ή σε πλυντήριο πιάτων.
9. Ο δακτύλιος του κυλίνδρου και το δάπεδο του φούρνου πρέπει να καθαρίζονται τακτικά για να αποφεύγεται ο υπερβολικός θόρυβος. Σκουπίστε απλώς την κάτω επιφάνεια του φούρνου με ήπιο απορρυπαντικό. Ο δακτύλιος του κυλίνδρου μπορεί να πλυθεί με ήπιο σαπουνόνερο ή σε πλυντήριο πιάτων. Κατά την αφαίρεση του κυλινδρικού δακτυλίου, βεβαιωθείτε ότι τον έχετε τοποθετήσει ξανά στη σωστή θέση.
10. Αφαιρέστε τις οσμές από το φούρνο σας συνδυάζοντας ένα φλιτζάνι νερό με το χυμό και το δέρμα ενός λεμονιού σε ένα δοχείο μικροκυμάτων. Φούρνος μικροκυμάτων για 5 λεπτά. Σκουπίστε καλά και στεγνώστε με ένα μαλακό πανί.
11. Εάν ο λαμπτήρας καεί, επικοινωνήστε με την εξυπηρέτηση πελατών για να τον αντικαταστήσετε.
12. Ο φούρνος πρέπει να καθαρίζεται τακτικά και να αφαιρούνται τυχόν υπολείμματα τροφής. Η μη διατήρηση του φούρνου σε καθαρή κατάσταση θα μπορούσε να οδηγήσει σε φθορά της επιφάνειας που θα μπορούσε να επηρεάσει δυσμενώς τη διάρκεια ζωής της μονάδας και θα μπορούσε ενδεχομένως να οδηγήσει σε επικίνδυνη κατάσταση.
13. Παρακαλούμε μην απορρίπτετε αυτή τη συσκευή στον οικιακό κάδο απορριμμάτων. Πρέπει να απορρίπτεται στο συγκεκριμένο κέντρο απορριμμάτων που παρέχεται από τους δήμους.
14. Όταν χρησιμοποιείται για πρώτη φορά ο φούρνος μικροκυμάτων με λειτουργία ψησίματος, ενδέχεται να παράγει ελαφρύ καπνό και οσμή. Αυτό είναι ένα φυσιολογικό φαινόμενο, επειδή ο φούρνος είναι κατασκευασμένος από μια χαλύβδινη πλάκα επικαλυμμένη με λιπαντικό έλαιο, και ο νέος φούρνος θα παράγει καπνούς και οσμές που δημιουργούνται από την καύση του λιπαντικού ελαίου. Το φαινόμενο αυτό θα εξαφανιστεί μετά από μια περίοδο χρήσης.

Η συσκευή αυτή επισημαίνεται σύμφωνα με την Ευρωπαϊκή Οδηγία 2012/19/ΕΕ σχετικά με τα Απόβλητα Ηλεκτρικού και Ηλεκτρονικού Εξοπλισμού του 2013 όσον αφορά τις ηλεκτρικές και ηλεκτρονικές συσκευές (ΑΗΗΕ). Τα ΑΗΗΕ περιλαμβάνουν τόσο ρυπογόνες ουσίες οι οποίες περιλαμβάνουν τόσο ρυπογόνες ουσίες (οι οποίες μπορούν να έχουν αρνητικές επιπτώσεις στο περιβάλλον) όσο και βασικά εξαρτήματα (τα οποία μπορούν να χρησιμοποιηθούν και πάλι). Είναι σημαντικό τα ΑΗΗΕ να υποβάλλονται σε συγκεκριμένες επεξεργασίες έτσι ώστε να αφαιρούνται και να απορρίπτονται όλα τα ρυπογόνα στοιχεία και να ανακτώνται όλα τα υλικά. Τα άτομα μπορούν να διαδραματίσουν σημαντικό ρόλο στην εξασφάλιση ότι τα ΑΗΗΕ δεν θα αποτελέσουν περιβαλλοντικό πρόβλημα. Είναι απαραίτητο να ακολουθούνται μερικοί βασικοί κανόνες:



- τα ΑΗΗΕ δεν θα πρέπει να αντιμετωπίζονται σαν οικιακά απορρίμματα,
 - τα ΑΗΗΕ θα πρέπει να μεταφέρονται στα ειδικά κέντρα συλλογής και ανακύκλωσης αποβλήτων που διαχειρίζονται οι δημοτικές αρχές ή εξουσιοδοτημένες εταιρείες.
- Σε πολλές χώρες, μπορεί να υπάρχουν διαθέσιμες συλλογές από τα σπίτια για μεγάλα ΑΗΗΕ. Όταν αγοράζετε μια καινούργια συσκευή, η παλιά μπορεί να επιστραφεί στον πωλητή ο οποίος πρέπει να την παραλάβει χωρίς χρέωση σε αναλογία μία προς μία, εφόσον η συσκευή αυτή είναι ισοδύναμου τύπου και έχει τις ίδιες λειτουργίες με την παρεχόμενη συσκευή.

Istruzioni per il forno a microonde



Modello: CMGA20TNDB

Leggere attentamente queste istruzioni prima di installare
e mettere in funzione il forno.

Haier Europe <small>CANDY</small> <small>Haier</small>	PT ☎ 707 200 188 210 010 773	IT ☎ 02 400 48 200	ES ☎ 902 100 150 943 914 150	DE ☎ 0800 500 48 48
BE ☎ LU ☎ 02 752 94 10	NL ☎ 33 422 4000	AT ☎ 0820 220 224	GR ☎ 801 11 50 50 50	CH ☎ 0848 780 780

70017948

INDICE

PRECAUZIONI PER EVITARE UNA POSSIBILE ESPOSIZIONE ALL'ECCESSIVA ENERGIA DELLE MICROONDE	3
IMPORTANTI ISTRUZIONI DI SICUREZZA	3
GUIDA ALL'INSTALLAZIONE	6
ISTRUZIONI DI MESSA A TERRA	6
INTERFERENZE RADIO	7
PRIMA DI CONTATTARE IL CENTRO ASSISTENZA	7
TECNICHE DI COTTURA	8
GUIDA AGLI UTENSILI DA CUCINA	8
SPECIFICHE	9
SCHEMA DEL PRODOTTO	9
PANNELLO DI CONTROLLO	10
ISTRUZIONI PER L'USO	11
IMPOSTAZIONE DELL'ORA DELL'OROLOGIO.....	11
CUCINA ESPRESSA	11
COTTURA A MICROONDE	12
SBRINAMENTO A TEMPO.....	12
SBRINAMENTO AUTOMATICO	12
GRILL	13
COTTURA COMBINATA.....	13
SICUREZZA BAMBINI	13
COTTURA AUTOMATICA	13
PULIZIA E MANUTENZIONE	18

PRECAUZIONI PER EVITARE UNA POSSIBILE ESPOSIZIONE ALL'ECCESSIVA ENERGIA DELLE MICROONDE

1. Non tentare di far funzionare questo forno con lo sportello aperto, poiché il funzionamento a sportello aperto può provocare un'esposizione dannosa all'energia delle microonde. È importante non manomettere gli interblocchi di sicurezza.
2. Non collocare alcun oggetto tra la parte anteriore del forno e lo sportello, né lasciare che residui di sporco o detersivi si accumulino sulle superfici di tenuta.
3. Non azionare il forno se danneggiato. È particolarmente importante che lo sportello del forno si chiuda correttamente e che non vi siano danni a
 - a) Sportello (anche piegato),
 - b) Cerniere e chiusure (rotte o allentate),
 - c) Guarnizioni per sportelli e superfici di tenuta.
4. Il forno non deve essere regolato o riparato da nessuno, ad eccezione del personale di assistenza qualificato.

IMPORTANTI ISTRUZIONI DI SICUREZZA

Quando si utilizzano elettrodomestici è necessario seguire le precauzioni di sicurezza di base, tra cui le seguenti:

AVVERTENZA!– Per ridurre il rischio di ustioni, scosse elettriche, incendi, lesioni alle persone o l'esposizione a un'eccessiva energia delle microonde:

1. Leggere tutte le istruzioni prima di utilizzare l'elettrodomestico e conservarle per riferimenti futuri.
2. Utilizzare l'elettrodomestico solo per l'uso previsto come descritto nel presente manuale. Non utilizzare prodotti chimici corrosivi o vapori nell'elettrodomestico. Questo tipo di forno è specificamente progettato per riscaldare, cuocere o essiccare gli alimenti. Non è progettato per uso industriale o di laboratorio.
3. Non azionare il forno quando è vuoto.
4. Non mettere in funzione l'elettrodomestico se ha un cavo o una spina danneggiati, se non funziona correttamente o se è stato danneggiato o è caduto. Se il cavo di alimentazione dell'elettrodomestico dovesse essere danneggiato, farlo sostituire dal produttore, dal suo servizio tecnico o da un tecnico qualificato, per evitare rischi.

5. **AVVERTENZA!**-- Consentire ai bambini di utilizzare il forno senza sorveglianza solo quando sono state date istruzioni adeguate affinché il bambino sia in grado di utilizzare il forno in modo sicuro e comprenda i rischi di un uso improprio.
6. **AVVERTENZA!**-- Quando l'elettrodomestico viene utilizzato in modalità combinata, i bambini dovrebbero utilizzare il forno solo sotto la supervisione di un adulto a causa delle temperature generate.
7. Per ridurre il rischio di incendio nel vano di cottura:
 - Quando si riscaldano alimenti in contenitori di plastica o di carta, tenere sotto controllo il forno per la possibilità di incendi.
 - Rimuovere i fili ritorti da sacchetti di carta o di plastica prima di mettere il sacchetto nel forno.
 - In presenza di fumo, spegnere l'elettrodomestico o staccarlo dall'alimentazione e mantenere lo sportello chiuso onde soffocare le eventuali fiamme.
 - Non utilizzare il vano del forno per la conservazione. Non lasciare prodotti di carta, utensili da cucina o alimenti nel vano del forno quando non è in uso.
 - Il forno a microonde è destinato al riscaldamento di alimenti e bevande. L'asciugatura di cuscinetti riscaldanti, pantofole, spugne, panni umidi e simili possono comportare il rischio di lesioni, accensione o incendio.
8. **AVVERTENZA!**-- I liquidi e altri alimenti non devono essere scaldati in contenitori sigillati poiché potrebbero esplodere.
9. Il riscaldamento a microonde delle bevande può causare un'ebollizione ritardata con proiezioni di liquidi, pertanto è necessario prestare attenzione durante la manipolazione del contenitore.
10. Non friggere alimenti nel forno. L'olio caldo può danneggiare le parti del forno e gli utensili e persino causare ustioni alla pelle.
11. Le uova nel guscio e le uova sode intere non devono essere riscaldate nei forni a microonde, poiché possono esplodere anche dopo la fine del riscaldamento a microonde.
12. Forare gli alimenti con bucce pesanti come patate, zucche intere, mele e castagne prima della cottura.
13. Il contenuto dei biberon e dei vasetti di omogeneizzati deve essere mescolato o agitato e la temperatura deve essere controllata prima di servire per evitare ustioni.
14. Gli utensili da cucina possono surriscaldarsi a causa del calore trasferito dal cibo riscaldato. Per maneggiare l'utensile possono essere necessarie le presine.
15. Gli utensili devono essere controllati per verificare che siano adatti all'uso nel forno a microonde.
16. **AVVERTENZA!**-- È pericoloso per tutti, ad eccezione del personale addetto, eseguire qualsiasi operazione di manutenzione o di riparazione che implichi la rimozione di qualunque coperchio di protezione contro l'esposizione all'energia microonde.
17. Questo forno a microonde è conforme alla norma EN 55011/CISPR 11; nell'ambito di questa norma appartiene alla classificazione di Classe B Gruppo 2. Apparecchiature del gruppo 2: il gruppo 2 contiene tutte le apparecchiature ISM RF in cui l'energia a radiofrequenza nella gamma di frequenza da 9 kHz a 400 GHz è generata e utilizzata intenzionalmente o utilizzata solo localmente, sotto forma di radiazione elettromagnetica, accoppiamento induttivo e/o capacitivo, per il trattamento di materiale, per scopi di ispezione/analisi, o per il trasferimento di energia elettromagnetica. Per apparecchiature di classe B si intendono

- apparecchiature adatte all'uso in posizioni all'interno di ambienti residenziali e in sedi direttamente collegate ad una rete di alimentazione a bassa tensione che alimenta gli edifici adibiti ad uso domestico.
18. Questo elettrodomestico non è da intendersi adatto all'uso da parte di persone (incluso bambini) con ridotte capacità fisiche, sensoriali o mentali, o prive di esperienza e conoscenza, a meno che siano state supervisionate o istruite riguardo all'uso dell'elettrodomestico da una persona responsabile della loro sicurezza.
 19. I bambini devono essere supervisionati per assicurarsi che non giochino con l'elettrodomestico.
 20. Il forno a microonde viene utilizzato solo in versione indipendente.
 21. **AVVERTENZA!**-- Non installare il forno sopra un piano di cottura o altro elettrodomestico che produce calore. Se installato in questo modo potrebbe essere danneggiato e la garanzia diventerebbe nulla.
 22. Il forno a microonde non deve essere collocato in un mobile.
 23. Lo sportello o la superficie esterna può surriscaldarsi quando l'elettrodomestico è in funzione.
 24. **AVVERTENZA!**-- Durante l'utilizzo le parti accessibili possono diventare calde. I bambini piccoli devono essere mantenuti a distanza.
 25. Durante l'uso l'elettrodomestico diventa caldo. Fare attenzione a non toccare le resistenze di riscaldamento all'interno del forno, per i ripiani di cottura e nei forni.
 26. La temperatura delle superfici accessibili può essere elevata quando l'elettrodomestico è in funzione.
 27. L'elettrodomestico non deve essere utilizzato da bambini o persone con ridotte capacità fisiche, sensoriali o mentali, o con scarsa esperienza e conoscenza, a meno che non siano stati supervisionati o istruiti.
 28. **AVVERTENZA!**-- Se lo sportello o la guarnizione dello sportello sono danneggiati, il forno non dev'essere utilizzato fino a quando non è stato riparato da personale competente
 29. Gli elettrodomestici non sono concepiti per funzionare con temporizzatori esterni o con sistemi di comando a distanza separati.
 30. Il forno a microonde è solo per uso domestico e non per uso commerciale.
 31. Non rimuovere mai il distanziatore sul retro o sui lati, in quanto garantisce una distanza minima dalla parete per la circolazione dell'aria.
 32. Fissare il piatto rotante prima di spostare l'elettrodomestico per evitare danni.
 33. **ATTENZIONE!**-- È pericoloso fare riparare o sottoporre a manutenzione l'elettrodomestico da personale non specializzato, poiché in queste circostanze è necessario rimuovere la copertura che garantisce la protezione contro le radiazioni a microonde. Questo vale anche per la sostituzione del cavo di alimentazione o dell'illuminazione. In questi casi, inviare l'elettrodomestico al nostro centro di assistenza.
 34. Il forno a microonde è destinato esclusivamente allo scongelamento, alla cottura e alla cottura a vapore degli alimenti.
 35. Utilizzare i guanti se si rimuovono gli alimenti riscaldati.
 36. Attenzione! Il vapore fuoriesce quando si aprono i coperchi o la pellicola avvolgente.

37. L'elettrodomestico può essere utilizzato da bambini di età superiore a 8 anni e da persone con ridotte capacità fisiche, sensoriali o mentali, oppure prive di esperienza e conoscenza, se supervisionate o istruite riguardo all'uso dell'elettrodomestico in sicurezza, e se comprendono i rischi che derivano dall'uso dello stesso. I bambini non devono giocare con l'elettrodomestico. La pulizia o la manutenzione da parte dell'utente non deve essere eseguita da bambini a meno che non abbiano più di 8 anni e siano sorvegliati.
38. In presenza di fumo, spegnere l'elettrodomestico o staccarlo dall'alimentazione e mantenere lo sportello chiuso onde soffocare le eventuali fiamme.

GUIDA ALL'INSTALLAZIONE

1. Assicurarsi che tutti i materiali di imballaggio siano stati rimossi dall'interno dello sportello.
2. **AVVERTENZA!**-- Controllare che il forno non presenti danni, come sportello non allineato o piegato, guarnizioni e superfici di tenuta danneggiate, cerniere e chiusure dello sportello rotte o allentate e ammaccature all'interno del vano di cottura o sullo sportello. In caso di danni, non mettere in funzione il forno e contattare il personale di assistenza qualificato.
3. Questo forno a microonde deve essere posizionato su una superficie piana e stabile per sostenere il suo peso e gli alimenti più pesanti che possono essere cotti all'interno del forno.
4. Non collocare il forno in luoghi in cui si generano calore, umidità, anche elevata, o in prossimità di materiali combustibili.
5. Per un corretto funzionamento, il forno deve avere un flusso d'aria sufficiente. Lasciare almeno 20 cm di spazio libero necessario sopra la superficie superiore del forno e 5 cm su entrambi i lati. La piastra posteriore del forno a microonde deve essere posizionata vicino alla parete. Non coprire o bloccare le aperture dell'elettrodomestico. Non rimuovere i piedini.
6. Non mettere in funzione il forno senza il vassoio in vetro, il supporto a rulli e il perno nella posizione corretta.
7. Accertarsi che il cavo di alimentazione non sia danneggiato e non si trovi sotto il forno o su superfici calde o taglienti.
8. La presa deve essere facilmente accessibile in modo da poter essere facilmente scollegata in caso di emergenza.
9. Non collocare l'elettrodomestico in ambienti esterni.

ISTRUZIONI DI MESSA A TERRA

Questo elettrodomestico deve essere collegato a terra. Questo forno è dotato di un cavo con filo di messa a terra e spina di messa a terra. Deve essere inserito in una presa a muro correttamente installata e messa a terra. In caso di corto circuito elettrico, la messa a terra riduce il rischio di scosse elettriche fornendo un filo di fuga per la corrente elettrica. Si raccomanda di prevedere un circuito separato che serva solo il

forno. L'uso di una tensione elevata è pericoloso e può provocare un incendio o altri incidenti che possono causare danni al forno.

AVVERTENZA!-- L'uso non corretto della spina di messa a terra può comportare il rischio di scosse elettriche. Nota:

1. In caso di domande sulla messa a terra o sulle istruzioni elettriche, consultare un elettricista qualificato o un tecnico dell'assistenza.
2. Né il produttore né il rivenditore si assumono alcuna responsabilità per danni al forno o lesioni personali derivanti dalla mancata osservanza delle procedure di collegamento elettrico.

I fili di questo cavo principale sono colorati secondo il seguente codice:

Verde e giallo = TERRA

Blu = NEUTRO

Marrone- ALIMENTAZIONE

INTERFERENZE RADIO

Il funzionamento del forno a microonde può causare interferenze con la radio, la TV o apparecchiature simili. In presenza di interferenze, queste possono essere ridotte o eliminate adottando le seguenti precauzioni:

1. Pulire lo sportello e la superficie di tenuta del forno.
2. Orientare nuovamente l'antenna di ricezione della radio o della televisione.
3. Riposizionare il forno a microonde rispetto al ricevitore.
4. Allontanare il forno a microonde dal ricevitore.
5. Collegare il forno a microonde ad una presa diversa in modo che il forno a microonde e il ricevitore si trovino su circuiti di derivazione diversi.

PRIMA DI CONTATTARE IL CENTRO ASSISTENZA

Prima di chiamare l'assistenza, controllare ciascuna delle voci sotto riportate:

- Controllare che il forno sia collegato perfettamente. In caso contrario, rimuovere la spina dalla presa, attendere 10 secondi e reinserirla a fondo.
- Controllare la presenza di un fusibile bruciato o di un salvamotore scattato. Se tutto sembra funzionare correttamente, provare la presa di corrente con un altro elettrodomestico.
- Verificare che il pannello di controllo sia programmato correttamente e che il timer sia impostato.
- Verificare che lo sportello sia chiuso saldamente innestando il sistema di blocco dello sportello. Se lo sportello non è chiuso correttamente, l'energia del microonde non fluisce all'interno.

SE NESSUNO DI QUESTI INTERVENTI RISOLVE LA SITUAZIONE, CONTATTARE UN TECNICO QUALIFICATO. NON CERCARE DI REGOLARE O RIPARARE IL FORNO DA SOLI.

TECNICHE DI COTTURA

1. Disporre gli alimenti con cura. Posizionare le parti più spesse verso l'esterno del piatto.
2. Controllare l'orario di cottura. Cuocere per il minor tempo indicato e aggiungere ulteriore tempo se necessario. Gli alimenti molto cotti possono produrre fumo o infiammarsi.
3. Coprire gli alimenti durante la cottura. Le coperture prevengono gli schizzi e aiutano la cottura uniforme degli alimenti.
4. Girare gli alimenti una volta durante la cottura a microonde per velocizzare la cottura di alimenti come pollo e hamburger. Alimenti di grandi dimensioni come gli arrostiti devono essere capovolti almeno una volta.
5. Girare gli alimenti come le polpette a metà cottura sia dall'alto verso il basso che dal centro del piatto verso l'esterno.

GUIDA AGLI UTENSILI DA CUCINA

1. Le microonde non possono penetrare il metallo. Utilizzare solo utensili adatti per l'uso nei forni a microonde. Non sono ammessi contenitori metallici per alimenti e bevande durante la cottura a microonde. Questo requisito non è applicabile se il produttore specifica le dimensioni e la forma dei contenitori metallici adatti alla cottura a microonde.
2. Le microonde non possono penetrare nel metallo, quindi non si devono usare utensili o stoviglie in metallo con finiture metalliche.
3. Non utilizzare prodotti di carta riciclata per la cottura a microonde, in quanto possono contenere piccoli frammenti metallici che possono causare scintille e/o incendi.
4. Si consigliano piatti rotondi/ovali piuttosto che quadrati/oblunghi, dato che il cibo negli angoli tende a cuocere eccessivamente.
5. È possibile utilizzare strisce strette di foglio di alluminio per evitare il surriscaldamento delle aree esposte. Prestare attenzione a non usarne troppo e mantenere una distanza di 2,54 cm (1 pollice) tra il foglio e il vano cottura.

L'elenco che segue è una guida generale per aiutarvi a selezionare gli utensili corretti.

TIPI DI PENTOLE	MICROONDE	GRILL	COMBINATA
Vetro termoresistente	Sì	Sì	Sì
Vetro non termoresistente	No	No	No
Ceramica termoresistente	Sì	Sì	Sì

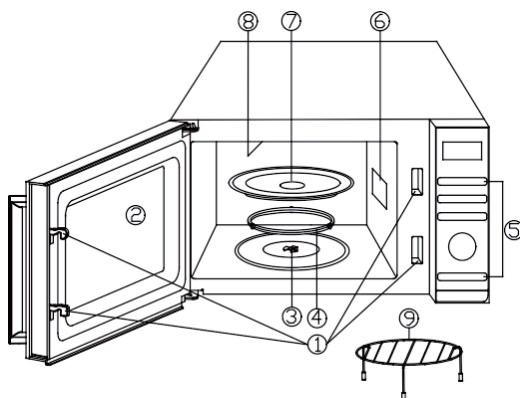
TIPI DI PENTOLE	MICROONDE	GRILL	COMBINATA
Piatto di plastica adatto al microonde	Sì	No	No
Carta da cucina	Sì	No	No
Vassoio in metallo	No	Sì	No
Ripiano in metallo	No	Sì	No
Pellicola di alluminio e contenitori in pellicola di alluminio	No	Sì	No

SPECIFICHE

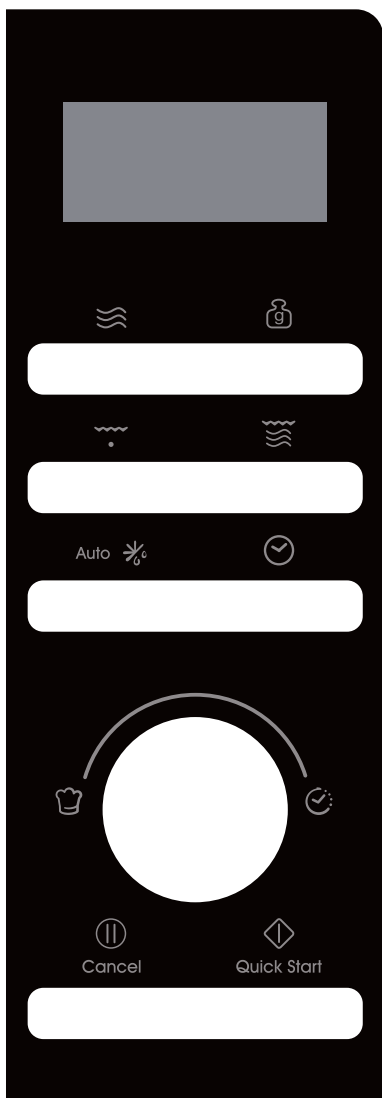
Potenza assorbita:	230-240 V/50 Hz, 1200 W (microonde) 900 W (griglia)
Potenza nominale microonde:	700 W
Frequenza di funzionamento:	2450 MHz
Dimensioni esterne:	262 mm(H)×452 mm(W)×357 mm(D)
Dimensioni del vano cottura:	198 mm(H)×315 mm(W)×297 mm(D)
Capacità forno:	20 litri
Peso netto:	Circa 11,3 kg

SCHEMA DEL PRODOTTO

1. Sistema di blocco di sicurezza porta
2. Finestra del forno
3. Perno
4. Anello a rulli
5. Pannello di controllo
6. Guida onde
(Si prega di non rimuovere la piastra di mica che copre la guida d'onda)
7. Vassoio in vetro
8. Riscaldatore Grill
9. Ripiano in metallo



PANNELLO DI CONTROLLO



● SCHERMO AZIONE MENÙ

Vengono visualizzati il tempo di cottura, la potenza e gli indicatori di azione.

● POTENZA

Premere per impostare il livello di potenza di cottura a microonde.

● REGOLAZIONE DEL PESO

Premere per impostare il peso del cibo o le porzioni.

● GRIGLIA

Premere per impostare il programma di cottura con grill.

● COMBINAZIONE

Premere per impostare il programma di cottura combinato.

● SCONGELAMENTO AUTOMATICO

Auto 

Premere una volta per scongelare il cibo in base al tempo. Premere due volte per scongelare il cibo in base al peso.

● OROLOGIO

Premere per impostare l'ora dell'orologio.

● MENU/TIME (quadrante)

Girare la manopola per impostare il tempo.

Ruotare la manopola per selezionare il menu di cottura automatica.

● PAUSA/ANNULLAMENTO Cancel


Premere una volta per interrompere temporaneamente la cottura o due volte per annullare la cottura.

● AVVIO/AVVIO RAPIDO Quick Start

Premere per avviare i programmi di cottura e scongelamento.

Basta premerlo più volte per impostare il tempo di cottura e cuocere immediatamente a potenza massima.

ISTRUZIONI PER L'USO

- Quando il forno viene collegato per la prima volta, viene emesso un segnale acustico e il display mostra "1:01", e .
- Nel processo di impostazione, trascorsi circa 25 secondi il forno tornerà in modalità standby.
- Durante la cottura, se si preme una volta il pulsante PAUSE/CANCEL, il programma verrà messo in pausa, quindi premere il pulsante START/QUICK START per riprendere. Ma se si preme due volte il pulsante PAUSE/CANCEL, il programma sarà cancellato.
- Dopo la fine della cottura, il display mostrerà End e il segnale acustico suonerà ogni due minuti finché l'utente non preme il pulsante PAUSE/CANCEL o apre lo sportello.
- Nel processo di funzionamento, premere un pulsante valido, il cicalino suona una volta, ma se premere un pulsante non valido, il cicalino suona due volte.
- Il sistema di controllo elettronico del forno a microonde ha la funzione di raffreddamento. Per quanto riguarda qualsiasi modalità di cottura che il tempo di cottura superiore a 2 minuti, dopo la fine della cottura, aprire la porta del forno o il programma di cottura è in pausa, la ventola del forno lavorerà circa 3 minuti automaticamente per raffreddare il forno per prolungare la vita del forno.
- **Attenzione!**-La ventola di raffreddamento funzionerà automaticamente per circa 3 minuti se il tempo di cottura supera i 2 minuti.

IMPOSTAZIONE DELL'ORA DELL'OROLOGIO

Questo è un orologio di 12 e 24 ore, si può scegliere di impostare il tempo dell'orologio in 12 o 24 ore premendo il pulsante CLOCK in modalità standby.

1. In modalità standby, premere ripetutamente il pulsante CLOCK per scegliere l'orologio a 12 o 24 ore.
2. Girare la manopola MENU/TIME per impostare la cifra dell'ora.
3. Premere una volta il pulsante CLOCK.
4. Girare la manopola MENU/TIME per impostare la cifra dei minuti.
5. Premere una volta il pulsante CLOCK per confermare.

NOTA: Durante la cottura, è possibile controllare l'ora corrente dell'orologio premendo il pulsante CLOCK.

CUCINA ESPRESSA

Usare questa funzione per programmare il forno a microonde al 100% di potenza in modo conveniente. In modalità standby, basta premere ripetutamente il pulsante START/QUICK START per impostare il tempo di cottura (ogni pressione aumenta di 30 secondi, e fino a 10 minuti), il forno inizia a lavorare automaticamente a piena potenza.

COTTURA A MICROONDE

1. In modalità standby, premere ripetutamente il pulsante POWER per selezionare il livello di potenza.
2. Girare la manopola MENU/TIME in senso orario per impostare il tempo di cottura. Il tempo massimo è di 95 minuti.
3. Premere il pulsante AVVIO/AVVIO RAPIDO per confermare.

Premere il pulsante POWER per selezionare il livello di potenza:

Premere il pulsante POWER	Potenza (display)	Premere il pulsante POWER	Potenza (display)
Una volta	100% (100)	7 volte	40% (40)
Due volte	90% (90)	8 volte	30% (30)
3 volte	80% (80)	9 volte	20% (20)
4 volte	70% (70)	10 volte	10% (10)
5 volte	60% (60)	11 volte	00% (00)
6 volte	50% (50)		

NOTA: Durante la cottura, è possibile controllare il livello di potenza di cottura premendo il pulsante POWER.

SBRINAMENTO A TEMPO

1. In modalità standby, premere una volta il pulsante AUTO DEFROST.
2. Girare la manopola MENU/TIME per impostare il tempo di sbrinamento. Il tempo massimo è di 95 minuti.
3. Premere il pulsante AVVIO/AVVIO RAPIDO per confermare.

NOTA: Durante il programma di scongelamento, il sistema si ferma ed emette un segnale acustico per ricordare all'utente di girare gli alimenti, quindi premere il pulsante AVVIO/AVVIO RAPIDO per riprendere lo scongelamento.

SBRINAMENTO AUTOMATICO

Il tempo di scongelamento e il livello di potenza sono impostati automaticamente una volta programmato il peso del cibo. Il peso del cibo congelato varia da 100 g a 1800 g.

1. In modalità standby, premere due volte il pulsante AUTO DEFROST.
2. Premere ripetutamente il pulsante WEIGHT ADJUST per selezionare il peso del cibo.
3. Premere il pulsante AVVIO/AVVIO RAPIDO per confermare.

NOTA: Durante lo scongelamento, il sistema si ferma e suona per ricordare all'utente di girare il cibo e poi premere il pulsante START/QUICK START per riprendere.

GRILL

La cottura alla griglia è particolarmente utile per fette sottili di carne, bistecche, braciole, spiedini, salsicce e pollo in pezzi. È adatto anche per panini caldi e piatti gratinati.

1. In modalità standby, premere una volta il pulsante GRILL.
2. Girare la manopola MENU/TIME per impostare il tempo di cottura. Il tempo massimo è di 95 minuti.
3. Premere il pulsante AVVIO/AVVIO RAPIDO per confermare.

COTTURA COMBINATA

Il grill funziona più a lungo del microonde in combinazione con la modalità di cottura 1, si utilizza per la cottura del pesce e per i piatti gratinati. Ma il microonde funziona più a lungo del grill in combinazione con la modalità di cottura 2, si utilizza per i budini, le omelette, le patate al forno e il pollame.

1. In modalità standby, premere il pulsante COMBINATION una o due volte per selezionare "Co-1" o "Co-2".
2. Girare la manopola MENU/TIME per impostare il tempo di cottura. Il tempo massimo è di 95 minuti.
3. Premere il pulsante AVVIO/AVVIO RAPIDO per confermare.

PULIZIA AUTOMATICA

Mettere una ciotola con 300 g di acqua nel forno e chiudere la porta.

4. In modalità standby, girare il quadrante MENU/TIME in senso antiorario una volta, e poi girare il quadrante finché il display mostra "A-19" e "AUTO".
5. Premere una volta il pulsante WEIGHT ADJUST.
6. Premere il pulsante START/QUICK START per iniziare.

NOTA: Il tempo di pulizia è di 10 minuti.

SICUREZZA BAMBINI

Utilizzare per evitare che i bambini utilizzino il forno senza supervisione.

Per entrare nel blocco a prova di bambino: In modalità standby, se non c'è nessuna operazione entro un minuto, il forno entrerà automaticamente in modalità di blocco per bambini e la spia del blocco si accenderà. Nello stato di sicurezza bambini, tutti i pulsanti sono disabilitati.

Per annullare: In modalità blocco bambini, aprire o chiudere lo sportello del forno per cancellare il programma e la spia del blocco si spegne.

COTTURA AUTOMATICA

Per il seguente alimento o modo di cottura, non è necessario programmare il tempo di cottura e la potenza di cottura. È sufficiente indicare il tipo di cibo che si desidera cucinare, nonché il peso o le porzioni di questo alimento.

1. In modalità standby, girare la manopola MENU/TIME in senso antiorario per selezionare il codice del cibo.
2. Premere ripetutamente il pulsante WEIGHT ADJUST per selezionare il peso del cibo o le porzioni.
3. Premere il pulsante AVVIO/AVVIO RAPIDO per confermare.

Menù di cottura automatica:

Codice	Alimenti	Peso/Quantità	Nota
A-01	Latte/caffè/tè (200 ml/tazza)	1 tazza	Il display mostrerà il numero di porzioni invece del peso del cibo
		da 2 dosatori	
		da 3 dosatori	
A-02	Spaghetti	100 g	
		200 g	
		300 g	
A-03	Patata	100 g	
		200 g	
		300 g	
A-04	Riscaldamento automatico	200 g	
		300 g	
		400 g	
		500 g	
		600 g	
		700 g	
		800 g	
A-05	Pesce	200 g	
		300 g	
		400 g	
		500 g	
		600 g	
A-06	Popcorn	100 g	
A-07	Pollo	800 g	Durante la cottura il forno si fermerà per ricordare all'utente di girare il cibo, dopo di che premere il pulsante START/QUICK START per riprendere
		1000 g	
		1200 g	
		1400 g	
A-08	Manzo/Montone	200 g	
		300 g	
		400 g	
		500 g	
		600 g	

Codice	Alimenti	Peso/Quantità	Nota
A-09	Carne allo spiedo	100 g	Durante la cottura il forno si fermerà per ricordare all'utente di girare il cibo, dopo di che premere il pulsante START/QUICK START per riprendere
		200 g	
		300 g	
		400 g	
		500 g	
A-10	Zuppa	1	200 g/porzione
		2	
		3	
A-11	Porridge	50 g	
		100 g	
		150 g	
A-12	ortofrutticoli allo stato naturale	200 g	
		300 g	
		400 g	
		500 g	
		600 g	
A-13	Verdura congelata	200 g	
		300 g	
		400 g	
		500 g	
		600 g	
A-14	Riso	150 g	
		300 g	
		450 g	
		600 g	
A-15	Pizza	150 g	
		300 g	
		450 g	

Codice	Alimenti	Peso/Quantità	Nota
A-16	Pesce alla griglia	200 g	Durante la cottura il forno si fermerà per ricordare all'utente di girare il cibo, dopo di che premere il pulsante START/QUICK START per riprendere
		300 g	
		400 g	
		500 g	
		600 g	
A-17	Pancetta alla griglia	100 g	
		200 g	
		300 g	
A-18	Salsicce e salami	100 g	Durante la cottura il forno si fermerà per ricordare all'utente di girare il cibo, dopo di che premere il pulsante START/QUICK START per riprendere
		200 g	
		300 g	
		400 g	
		500 g	
A-19	Autoclean/(la prestazione sarebbe la goccia d'acqua piena dell'interno della cavità)		

Il risultato della cottura automatica dipende da fattori quali la forma e le dimensioni degli alimenti, le vostre preferenze personali per quanto riguarda il grado di cottura di alcuni alimenti e anche con che cura introducete gli alimenti nel forno stesso. Se il risultato non dovesse comunque risultare soddisfacente, regolare di conseguenza il tempo di cottura.

PULIZIA E MANUTENZIONE

1. Spegner il forno e togliere il cavo di alimentazione dalla presa a muro prima della pulizia.
2. Pulizia all'interno del vano cottura. Quando schizzi di alimenti o liquidi versati aderiscono alle pareti del forno, strofinare con un panno umido. Se il forno è molto sporco, è possibile utilizzare un detergente delicato. Evitare l'uso di spray o altri detergenti aggressivi. Possono macchiare, striare o opacizzare la superficie dello sportello.
3. La parte esterna del forno deve essere pulita con un panno umido. Per evitare danni alle parti operative all'interno del forno, non lasciare che l'acqua penetri nelle aperture di ventilazione.
4. Pulire lo sportello e il vetro su entrambi i lati, le guarnizioni dello sportello e le parti adiacenti frequentemente con un panno umido per rimuovere eventuali fuoriuscite o spruzzi. Non utilizzare detergenti aggressivi.
5. Si sconsiglia l'utilizzo di una pulitrice a vapore.
6. Non lasciare che il pannello di controllo si bagni. Pulire con un panno morbido e umido. Durante la pulizia del pannello di controllo, lasciare lo sportello del forno aperto per evitare che il forno si accenda accidentalmente.
7. Se il vapore si accumula all'interno o all'esterno dello sportello del forno, strofinare con un panno morbido. Ciò può verificarsi quando il forno a microonde viene utilizzato in condizioni di elevata umidità. Tutto questo è normale.
8. Occasionalmente è necessario rimuovere il vassoio in vetro per la pulizia. Lavare il vassoio in acqua tiepida insaponata o in lavastoviglie.
9. L'anello a rulli e il fondo del forno devono essere puliti regolarmente per evitare rumori eccessivi. Pulire semplicemente la superficie inferiore del forno con un detergente delicato. L'anello a rulli può essere lavato in acqua tiepida insaponata o in lavastoviglie. Quando si toglie l'anello a rulli, assicurarsi di riposizionarlo nella posizione corretta.
10. Eliminare gli odori dal forno mescolando una tazza d'acqua con il succo e la buccia di un limone in una ciotola adatta per microonde. Riscaldarla nel microonde per 5 minuti. Risciacquare accuratamente e asciugare con uno panno morbido.
11. Se la lampadina si brucia, si prega di contattare il servizio clienti per farla sostituire.
12. Il forno deve essere pulito regolarmente togliendo gli eventuali depositi di alimenti. La mancata conservazione del forno in condizioni di pulizia può portare ad un deterioramento della superficie che potrebbe compromettere la durata dell'elettrodomestico e causare una situazione di pericolo.
13. Non gettare l'elettrodomestico insieme ai rifiuti domestici; deve essere smaltito in un apposito centro di smaltimento messo a disposizione dai comuni.
14. Quando il forno a microonde con funzione grill viene utilizzato per la prima volta, può produrre un leggero fumo e odore. Si tratta di un fenomeno normale perché il forno è costituito da una piastra di acciaio rivestita di olio lubrificante e il forno nuovo produrrà fumi e odori generati dalla combustione dell'olio lubrificante. Questo fenomeno scomparirà dopo un periodo di utilizzo.



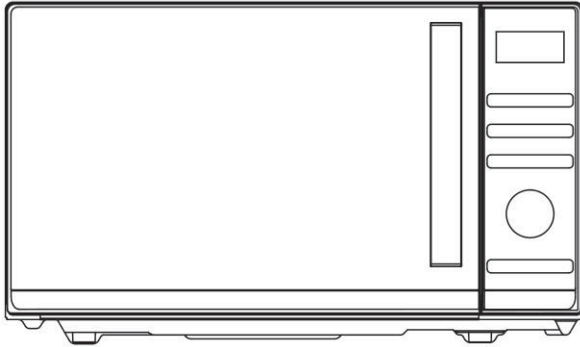
Questo apparecchio è etichettato in conformità alla direttiva europea 2012/19/UE sui rifiuti di apparecchiature elettriche ed elettroniche (Waste Electrical and Electronic Equipment Regulations 2013) per quanto riguarda le apparecchiature elettriche ed elettroniche (WEEE). I RAEE contengono sia sostanze inquinanti (che possono avere un effetto negativo sull'ambiente) sia elementi base (che possono essere riutilizzati). È importante che i RAEE siano sottoposti a trattamenti specifici in modo da togliere e smaltire in modo corretto gli inquinanti e recuperare tutti i materiali. Spetta ai singoli individui garantire che i RAEE non diventino un

problema a livello ambientale. Esistono alcune regole specifiche da rispettare:

- i RAEE non devono essere trattati come rifiuti domestici;
- i RAEE devono essere portati nelle aree di smaltimento specifiche, gestite dai comuni o da società autorizzate.

In molti stati, nel caso di RAEE di grandi dimensioni sono disponibili servizi di prelievo a domicilio. Nel caso di acquisto di un nuovo elettrodomestico, quello vecchio può essere restituito al venditore che lo deve accettare gratuitamente in un'unica soluzione, a condizione che l'elettrodomestico sia di tipo simile ed abbia le stesse funzioni di quello acquistato.

Instruções do forno de microondas



Modelo: CMGA20TNDB

Leia atentamente estas instruções antes de instalar e operar o forno.

Haier Europe <small>CANDY</small> <small>Haier</small>	PT 📞 707 200 188 210 010 773	IT 📞 02 400 48 200	ES 📞 902 100 150 943 914 150	DE 📞 0800 500 48 48
BE 📞 02 752 94 10	NL 📞 33 422 4000	AT 📞 0820 220 224	GR 📞 801 11 50 50 50	CH 📞 0848 780 780

70017948

CONTEÚDOS

PRECAUÇÕES PARA EVITAR POSSÍVEIS EXPOSIÇÕES À ENERGIA EXCESSIVA DE MICRO-ONDAS	3
INSTRUÇÕES DE SEGURANÇA IMPORTANTES	3
GUIA DE INSTALAÇÃO.....	6
INSTRUÇÕES DE ATERRAMENTO.....	6
INTERFERÊNCIA RADIOELÉCTRICA	7
ANTES DE CHAMAR AO SERVIÇO	7
TÉCNICAS DE COZEDURA	7
GUIA DE UTENSÍLIOS DE COZINHA.....	8
ESPECIFICAÇÕES.....	9
DIAGRAMA DO PRODUTO	9
PAINEL DE CONTROLO	10
INSTRUÇÕES DE FUNCIONAMENTO	11
ACERTAR A HORA DO RELÓGIO	11
COZINHA EXPRESSA	11
COZIMENTO COM MICROONDAS	12
DESCONGELAMENTO TEMPORAL.....	12
DESCONGELAMENTO AUTOMÁTICO.....	12
GRILL	13
COMBINAÇÃO	13
BLOQUEIO PARA CRIANÇAS	13
MENUS AUTOMÁTICOS.....	14
LIMPEZA E MANUTENÇÃO	16

PRECAUÇÕES PARA EVITAR POSSÍVEIS EXPOSIÇÕES À ENERGIA EXCESSIVA DE MICRO-ONDAS

1. Não tente operar este forno com a porta aberta, pois o funcionamento de porta aberta pode resultar em exposição nociva à energia de microondas. É importante não derrotar ou adulterar as travas de segurança.
2. Não colocar nenhum objeto entre a face frontal do forno e a porta ou permitir que se acumulem resíduos nas superfícies vedantes.
3. Não operar o forno se este estiver danificado. É muito importante que a porta do forno se feche correctamente e que não haja danos para a
 - a) Porta (incluindo qualquer dobra),
 - b) Dobradiças e fechos (quebrados ou afrouxados),
 - c) Selagem de portas e superfícies de selagem.
4. O forno não deve ser ajustado ou reparado por ninguém, excepto por pessoal de serviço qualificado.

INSTRUÇÕES DE SEGURANÇA IMPORTANTES

Ao utilizar aparelhos eléctricos devem ser seguidas as precauções básicas de segurança, incluindo as seguintes:

ADVERTÊNCIA!--Diminuir o risco de queimaduras, choques eléctricos, incêndios, ferimentos em pessoas ou exposição a energia excessiva de microondas:

1. Leia todas as instruções antes de utilizar o aparelho e guarde-as para referência futura.
2. Utilizar este aparelho apenas para o seu uso pretendido, tal como descrito no manual. Nunca utilize produtos corrosivos neste forno, nem permita que ele seja exposto a vapores de produtos corrosivos. Este tipo de forno é especificamente concebido para aquecer, cozinhar ou secar alimentos. Ele não foi concebido para uma utilização industrial nem laboratorial.
3. NUNCA utilize o forno quando este estiver vazio.
4. Não operar este aparelho se tiver um cabo ou ficha danificados, se não estiver a funcionar correctamente, ou se tiver sido danificado ou caído. Se o cabo de alimentação estiver danificado, deve ser substituído pelo fabricante, pelo seu agente de serviço ou por pessoa qualificada, para evitar perigo.
5. **ADVERTÊNCIA!**--Apenas permitir que as crianças utilizem o forno sem supervisão quando tiverem sido dadas instruções adequadas para que a criança possa utilizar

- o forno de uma forma segura e compreenda os perigos de uma utilização inadequada.
6. **ADVERTÊNCIA!**--Quando o aparelho é operado no modo combinado, as crianças só devem utilizar o forno sob a supervisão de um adulto, devido às temperaturas geradas
 7. Para reduzir o risco de incêndio na cavidade do forno:
 - Ao aquecer alimentos em recipientes de plástico ou papel, vigiar o forno devido à possibilidade de inflamação.
 - Remover os cordões de arame dos sacos de papel ou plástico antes de colocar o saco no forno.
 - Se fizer fumo, desligar o aparelho e manter a porta fechada para abafar algumas chamas.
 - Não utilizar a cavidade para fins de armazenamento. Não deixar produtos de papel, utensílios de cozinha, ou alimentos na cavidade quando não estiverem a ser utilizados.
 - O forno de microondas destina-se ao aquecimento de alimentos e bebidas. A secagem do vestuário e o aquecimento das almofadas de aquecimento, chinelos, esponjas, pano húmido e similares podem levar ao risco de ferimentos, ignição ou fogo.
 8. **ADVERTÊNCIA!**--Os líquidos ou outros alimentos não devem ser aquecidos em recipientes selados, uma vez que são susceptíveis de explodir.
 9. O aquecimento por microondas de bebidas pode resultar numa ebulição eruptiva retardada, pelo que se deve ter cuidado ao manusear o recipiente.
 10. Não fritar os alimentos no forno. O óleo quente pode danificar partes do forno e utensílios e até resultar em queimaduras na pele.
 11. Nunca cozinhe ovos com casca nem aqueça ovos cozidos inteiros no forno microondas, pois corre o risco de eles explodirem depois de o forno se desligar.
 12. Perfurar alimentos com peles pesadas, tais como batatas, abóboras inteiras, maçãs e castanhas antes de cozinhar.
 13. O conteúdo dos biberões e dos biberões deve ser mexido ou abanado e a temperatura deve ser verificada antes de servir, a fim de evitar queimaduras.
 14. Os utensílios de cozinha podem ficar quentes por causa do calor transferido dos alimentos aquecidos. Podem ser necessários porta-objects para manusear o utensílio.
 15. Os utensílios devem ser verificados para garantir que são adequados para utilização em fornos de microondas.
 16. **ADVERTÊNCIA!**--É perigoso para qualquer pessoa que não seja uma pessoa treinada realizar qualquer serviço ou operação de reparação que envolva a remoção de qualquer cobertura que dê protecção contra a exposição à energia de microondas.
 17. Esta Microonda cumpre a norma EN 55011/CISPR 11, nesta norma pertence à classificação da Classe B Grupo 2. Equipamento do grupo 2: o grupo 2 contém todo o equipamento ISM RF em que a energia de radiofrequência na gama de frequências de 9 kHz a 400 GHz é intencionalmente gerada e utilizada ou apenas utilizada localmente, sob a forma de radiação electromagnética, acoplamento indutivo e/ou capacitivo, para o tratamento de material, para fins de inspecção/análise, ou para a transferência de energia electromagnética. O equipamento de classe B é equipamento adequado para utilização em locais em ambientes residenciais e em estabelecimentos directamente ligados a uma rede de

- alimentação eléctrica de baixa tensão que abastece edifícios utilizados para fins domésticos.
18. Este aparelho não se destina a ser utilizado por pessoas (incluindo crianças) com capacidades físicas, sensoriais ou mentais reduzidas, ou falta de experiência e conhecimento, exceto se tiverem recebido instruções relativas à utilização do mesmo por uma pessoa responsável pela sua segurança.
 19. As crianças devem ser supervisionadas para garantir que não brincam com o equipamento.
 20. O forno de microondas só é utilizado em regime de livre utilização.
 21. **ADVERTÊNCIA!**--Não instalar o forno sobre um fogão de gama ou outro aparelho produtor de calor. se instalado poderia ser danificado e a garantia seria evitada .
 22. O forno de microondas não deve ser colocado num armário.
 23. A porta ou a superfície exterior pode ficar quente quando o aparelho está a funcionar.
 24. **ADVERTÊNCIA!**--As partes acessíveis podem ficar quentes durante a utilização. As crianças pequenas devem ser mantidas afastadas.
 25. Durante a utilização, o aparelho fica quente. Deve-se ter o cuidado de evitar tocar nos elementos de aquecimento no interior do forno, para cozer ao ar livre e fornos.
 26. A temperatura das superfícies acessíveis pode ser elevada quando o aparelho está em funcionamento.
 27. O aparelho não deve ser usado por crianças ou pessoas com capacidades físicas, sensoriais ou mentais reduzidas, ou com falta de experiência e conhecimento, a menos que tenham recebido supervisão ou instruções.
 28. **ADVERTÊNCIA!**--Se a porta ou as juntas da porta forem danificadas, o forno não deve ser operado até que tenha sido reparado por uma pessoa competente.
 29. O equipamento não foi desenhado para ser operado através de um temporizador externo ou sistema de controlo remoto separado.
 30. O forno de microondas é apenas para uso doméstico e não para uso comercial.
 31. Nunca remover o suporte de distância na parte de trás ou nos lados, pois garante uma distância mínima da parede para a circulação de ar.
 32. Por favor, prenda o prato antes de mover o aparelho para evitar danos.
 33. **CUIDADO!**--É perigoso reparar ou manter o aparelho apenas por um especialista, porque nestas circunstâncias a cobertura tem de ser removida, o que assegura a protecção contra a radiação de microondas. Isto aplica-se também à mudança do cabo de alimentação ou da iluminação. Enviar o aparelho nestes casos para o nosso centro de serviços.
 34. O forno de microondas destina-se apenas à descongelação, cozedura e estufagem de alimentos.
 35. Usar luvas se remover qualquer alimento aquecido.
 36. Cuidado! O vapor escapará, ao abrir as tampas ou ao embrulhar a folha.
 37. Este equipamento pode ser usado por crianças a partir dos 8 anos de idade e por pessoas com incapacidade física, sensorial ou mental, ou sem experiência e conhecimentos para o fazer, desde que supervisionadas ou devidamente orientadas relativamente ao uso seguro do equipamento e sobre os perigos envolvidos. As crianças não podem brincar com o equipamento. A limpeza e a manutenção não devem ser efetuadas por crianças, a não ser que tenham mais de 8 anos e que sejam supervisionadas.
 38. Se fizer fumo, desligar o aparelho e manter a porta fechada para abafar algumas chamas.

GUIA DE INSTALAÇÃO

1. Certificar-se de que todos os materiais de embalagem são removidos do interior da porta.
2. **ADVERTÊNCIA!**--Verifiquem o forno quanto a quaisquer danos, tais como porta desalinhada ou dobrada, vedações de porta e superfície de vedação danificadas, dobradiças de porta partidas ou soltas e fechos e amolgadelas no interior da cavidade ou na porta. Se houver algum dano, não operar o forno e contactar pessoal de serviço qualificado.
3. Este forno microondas deve ser colocado sobre uma superfície plana e estável para manter o seu peso e os alimentos mais pesados susceptíveis de serem cozinhados no forno.
4. Não colocar o forno onde é gerado calor, humidade, ou humidade elevada, ou perto de materiais combustíveis.
5. Para um funcionamento correcto, o forno deve ter fluxo de ar suficiente. Permitir um mínimo de 20cm de espaço livre necessário acima da superfície superior do forno e 5cm em ambos os lados. A placa traseira do forno microondas deve ser colocada perto da parede. Não cubra nem bloqueie quaisquer aberturas no aparelho. Não retirar os pés.
6. Não operar o forno sem bandeja de vidro, suporte de rolos, e eixo nas suas posições adequadas.
7. Certifique-se de que o cabo de alimentação não está danificado e não corre sob o forno ou sobre qualquer superfície quente ou afiada.
8. A tomada deve ser facilmente acessível para que possa ser facilmente desconectada em caso de emergência.
9. Não utilizar o forno ao ar livre.

INSTRUÇÕES DE ATERRAMENTO

Este aparelho deve ser ligado à terra. Este forno está equipado com um cordão com um fio de aterramento com uma ficha de aterramento. Deve ser ligado a um recipiente de parede devidamente instalado e ligado à terra. No caso de um curto-circuito, a ligação à terra reduz o risco de choque eléctrico ao fornecer um fio de fuga para a corrente eléctrica. Recomenda-se que seja fornecido um circuito separado que sirva apenas o forno. A utilização de alta voltagem é perigosa e pode resultar num incêndio ou outro acidente causando danos no forno. **ADVERTÊNCIA!**--O uso incorrecto da ficha de ligação à terra pode resultar num risco de choque eléctrico. Nota:

1. Se tiver quaisquer perguntas sobre a ligação à terra ou instruções eléctricas, consulte um electricista qualificado ou uma pessoa de serviço.
2. Nem o fabricante nem o revendedor podem aceitar qualquer responsabilidade por danos no forno ou ferimentos pessoais resultantes da não observância dos procedimentos de ligação eléctrica.

Os fios neste cabo principal são coloridos de acordo com o seguinte código:

Verde e Amarelo = TERRA

Azul = NEUTRAL

Castanho = AO VIVO

INTERFERÊNCIA RADIOELÉCTRICA

O funcionamento do forno de microondas pode causar interferências no seu rádio, televisão ou equipamento semelhante. Quando há interferência, esta pode ser reduzida ou eliminada através da adopção das seguintes medidas:

1. Limpar a porta e a superfície de vedação do forno.
2. Reorientar a antena de recepção de rádio ou televisão.
3. Mudar a localização do forno de microondas em relação ao receptor.
4. Afastar o forno de microondas do receptor.
5. Ligar o forno de microondas a uma tomada diferente para que o forno de microondas e o receptor estejam em circuitos de ramificação diferentes.

ANTES DE CHAMAR AO SERVIÇO

Antes de pedir o serviço, por favor verifique cada item abaixo:

- Verificar se o forno está ligado com segurança. Caso contrário, remover a ficha da tomada, esperar 10 segundos, e ligá-la novamente em segurança.
- Verificar se há um fusível queimado ou um disjuntor principal activado. Se estes parecerem estar a funcionar correctamente, testar a tomada com outro aparelho.
- Verificar se o painel de controlo está programado correctamente e se o temporizador está definido.
- Verificar se a porta está bem fechada, encaixando o sistema de fecho da porta. Se a porta não estiver devidamente fechada, a energia do microondas não fluirá para dentro.

SE NENHUMA DAS SITUAÇÕES ACIMA REFERIDAS RECTIFICAR A SITUAÇÃO, ENTÃO CONTACTAR UM TÉCNICO QUALIFICADO. NÃO TENHA AJUSTAR OU REPARAR O FORNO VOCÊ MESMO.

TÉCNICAS DE COZEDURA

1. Organizar cuidadosamente os alimentos. Colocar as áreas mais espessas em direcção ao exterior do prato.
2. Observar o tempo de cozedura. Cozinhar durante o menor período de tempo indicado e adicionar mais conforme necessário. Os alimentos muito cozinhados podem fumar ou incendiar-se.
3. Cobrir os alimentos enquanto cozinham. As coberturas evitam salpicos e ajudam os alimentos a cozinhar de forma homogénea.

4. Virar os alimentos uma vez durante a cozedura no microondas para acelerar a cozedura de alimentos como o frango e os hambúrgueres. Grandes itens como assados devem ser virados pelo menos uma vez.
5. Reorganizar alimentos tais como almôndegas a meio caminho da cozedura tanto de cima para baixo como do centro do prato para o exterior.

GUIA DE UTENSÍLIOS DE COZINHA

1. As micro-ondas não conseguem penetrar o metal. Utilizar apenas utensílios adequados para utilização em fornos de microondas. Os recipientes metálicos para alimentos e bebidas não são permitidos durante a cozedura no microondas. Este requisito não é aplicável se o fabricante especificar o tamanho e a forma dos recipientes metálicos adequados para cozinhar no microondas.
2. As microondas não podem penetrar o metal, pelo que não devem ser utilizados utensílios metálicos ou pratos com guarnições metálicas.
3. Não utilizar produtos de papel reciclado ao cozinhar no microondas, pois podem conter pequenos fragmentos de metal que podem causar faíscas e/ou incêndios.
4. Recomenda-se pratos redondos/ovais em vez de quadrados/oblongos, uma vez que a comida nos cantos tende a cozer em demasia.
5. Tiras estreitas de folha de alumínio podem ser usadas para evitar a cozedura excessiva de áreas expostas. Mas tenha cuidado, não use demasiado e mantenha uma distância de 2,54cm (1 polegada) entre a folha e a cavidade.

A lista abaixo é um guia geral para o ajudar a seleccionar os utensílios correctos.

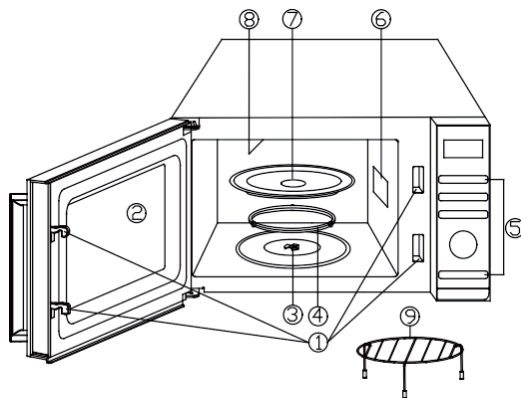
Utensílios de cozinha	MICRO-ONDAS	GRELHA	COMBINAÇÃO
Vidro Resistente ao Calor	Sim	Sim	Sim
Vidro não resistente ao calor	Não	Não	Não
Cerâmica resistente ao calor	Sim	Sim	Sim
Prato de Plástico Micro-Ondas-Safe	Sim	Não	Não
Papel de cozinha	Sim	Não	Não
Bandeja metálica	Não	Sim	Não
Bastidor metálico	Não	Sim	Não
Folha de Alumínio e Recipientes de Folha de Alumínio	Não	Sim	Não

ESPECIFICAÇÕES

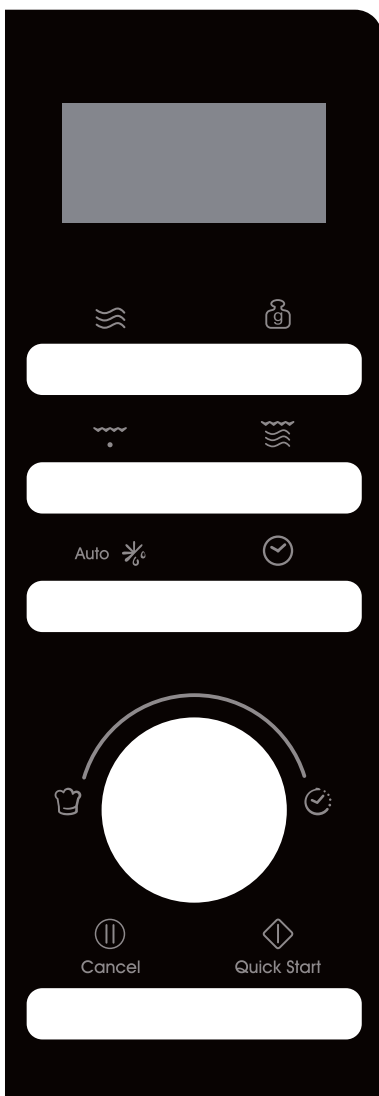
Consumo de Energia:	230-240 V/50 Hz, 1200 W(Microondas) 900 W(Grill)
Potência Nominal de Saída de Microondas:	700 W
Frequência de funcionamento:	2450MHz
Dimensões externas:	262 mm(A)×452 mm(L)×357 mm(P)
Dimensões do interior do forno:	198 mm(A)×315 mm(L)×297 mm(P)
Capacidade do Forno:	20 litros
Peso Líquido:	Aprox.11.3 kg

DIAGRAMA DO PRODUTO

1. Sistema de Fecho de Segurança de Portas
2. VIDRO DO FORNO
3. Eixo
4. Anel de rolete
5. Painel de controlo
6. guia de ondas (Por favor não remova a placa de mica que cobre a guia de ondas)
7. Bandeja em vidro
8. Resistência do grelhador:
9. Bastidor metálico



PAINEL DE CONTROLO



● ECRÃ DE ACÇÃO DO MENU

O tempo de cozedura, a potência, os indicadores de acção são exibidos.

● POWER

Pressione para definir o nível de potência de cozedura no microondas.

● AJUSTE DO PESO

Pressione para definir o peso dos alimentos ou porções.

● GRELHA

Pressione para definir o programa de cozedura de grelhados.

● COMBINAÇÃO

Pressione para definir o programa de cozedura combinada.

● AUTO DEFROST Auto

Pressione uma vez para descongelar os alimentos com base no tempo. Pressione duas vezes para descongelar os alimentos com base no peso.

● RELÓGIO

Pressione para acertar a hora do relógio.

● MENU/TIME (marcar)

Rode o mostrador para acertar a hora. Rode o mostrador para seleccionar o menu de cozedura automática.


● PAUSA/CANCELA Cancel

Pressione uma vez para parar temporariamente de cozinhar, ou duas vezes para cancelar completamente a cozedura.

● INÍCIO/ARRANQUE RÁPIDO Quick Start

Pressione para iniciar programas de cozedura e descongelação. Basta premir várias vezes para definir o tempo de cozedura e cozinhar imediatamente ao nível da potência máxima.

INSTRUÇÕES DE FUNCIONAMENTO

- Quando o forno for ligado pela primeira vez, soará um sinal sonoro e o visor mostrará "1:01", e .
- No processo de afinação, partiu-se cerca de 25 segundos e o forno voltará ao modo de espera.
- Durante a cozedura, se premir uma vez o botão PAUSE/CANCEL, o programa será pausado, depois premir o botão START/QUICK START para retomar. Mas se pressionar duas vezes o botão PAUSE/CANCEL, o programa será cancelado.
- Após o final da cozedura, o visor mostrará End e o sinal sonoro soará de dois em dois minutos até o utilizador premir o botão PAUSE/CANCEL ou abrir a porta.
- No processo de operação, prima um botão válido, a campainha toca uma vez, mas se premir um botão inválido, a campainha toca duas vezes.
- O sistema de controlo electrónico do forno de microondas tem a característica de arrefecimento. Quanto a qualquer modo de cozedura cujo tempo de cozedura seja superior a 2 minutos, após o fim da cozedura, abrir a porta do forno ou o programa de cozedura é interrompido, o ventilador funcionará cerca de 3 minutos automaticamente para arrefecer o forno para prolongar a vida útil do mesmo.
- Atenção!- A ventoinha de arrefecimento funcionará automaticamente durante cerca de 3 minutos se a cozedura tempo é superior a 2 minutos.

ACERTAR A HORA DO RELÓGIO

Este é um relógio de 12 e 24 horas, pode escolher acertar a hora do relógio em ciclo de 12 ou 24 horas premindo o botão CLOCK em modo de espera.

1. Em modo de espera, premir repetidamente o botão CLOCK para escolher um relógio de 12 ou 24 horas.
2. Rode o botão MENU/TIME para definir o dígito da hora.
3. Carregar uma vez no botão CLOCK.
4. Rode o botão MENU/TIME para definir o dígito dos minutos.
5. Prima o botão CLOCK uma vez para confirmar.

NOTA: Durante a cozedura, pode verificar a hora actual do relógio premindo o botão CLOCK.

COZINHA EXPRESSA

Utilize esta funcionalidade para programar convenientemente o forno para alimentos de microondas a 100% de potência. No modo de espera, basta premir repetidamente o botão START/QUICK START para definir o tempo de cozedura (cada pressão para aumentar 30 segundos, e até 10 minutos), o forno começa a funcionar automaticamente na potência máxima.

COZIMENTO COM MICROONDAS

1. Em modo de espera, premir repetidamente o botão POWER para seleccionar o nível de potência.
2. Rodar MENU/TIME no sentido dos ponteiros do relógio para definir o tempo de cozedura. O tempo mais longo é de 95 minutos.
3. Prima o botão START/QUICK START para confirmar.

Prima o botão POWER para seleccionar o nível de potência:

Pressione o botão POWER	Energia (visor)	Pressione o botão POWER	Energia (visor)
Uma vez	100% (100)	7 tempos	40% (40)
Duas vezes	90% (90)	8 tempos	30% (30)
3 tempos	80% (80)	9 tempos	20% (20)
4 tempos	70% (70)	10 tempos	10% (10)
5 tempos	60% (60)	11 tempos	00% (00)
6 tempos	50% (50)		

NOTA: Durante a cozedura, é possível verificar o nível de potência de cozedura premindo o botão POWER.

DESCONGELAMENTO TEMPORAL

1. Em modo de espera, premir uma vez o botão AUTO DEFROST.
2. Rodar MENU/TIME para definir o tempo de descongelamento. O tempo mais longo é de 95 minutos.
3. Prima o botão START/QUICK START para confirmar.

NOTA: Durante a descongelação, o sistema fará uma pausa e som para lembrar o utilizador de virar os alimentos, e depois premir o botão START/QUICK START para retomar.

DESCONGELAMENTO AUTOMÁTICO

O tempo de descongelação e o nível de potência são automaticamente definidos assim que o peso dos alimentos é programado. O peso dos alimentos congelados varia de 100 g a 1800 g.

1. Em modo de espera, premir duas vezes o botão AUTO DEFROST.
2. Prima repetidamente o botão WEIGHT ADJUST para seleccionar o peso dos alimentos.
3. Prima o botão START/QUICK START para confirmar.

NOTA: Durante a descongelação, o sistema fará uma pausa e soará para lembrar o utilizador de transformar os alimentos e depois prima o botão START/QUICK START para retomar.

GRILL

A cozedura em grelha é particularmente útil para fatias finas de carne, bifes, costeletas, espetadas, salsichas e pedaços de frango. É também adequado para sanduíches quentes e pratos gratinados

1. Em modo de espera, premir uma vez o botão GRILL.
2. Rodar o botão MENU/TIME para definir o tempo de cozedura. O tempo mais longo é de 95 minutos.
3. Prima o botão START/QUICK START para confirmar.

COMBINAÇÃO

O grelhador funciona mais tempo do que o microondas em combinação 1 modo de cozedura, utilização para peixe e gratinado. Mas o microondas funciona mais tempo que o grelhador em combinação 2 modo de cozedura, utilização para pudim, omeletes, batatas assadas e aves de capoeira.

1. Em modo de espera, premir uma ou duas vezes o botão COMBINATION para seleccionar "Co-1" ou "Co-2".
2. Rodar o botão MENU/TIME para definir o tempo de cozedura. O tempo mais longo é de 95 minutos.
3. Prima o botão START/QUICK START para confirmar.

AUTO LIMPO

Colocar uma taça de 300 g de água no forno e fechar a porta.

4. No modo de espera, rodar MENU/TIME uma vez no sentido anti-horário, e depois rodar o mostrador até o mostrador mostrar "A-19" e "AUTO".
5. Prima o botão WEIGHT ADJUST uma vez.
6. Prima o botão START/QUICK START para começar.

NOTA: O tempo de limpeza é de 10 minutos.

BLOQUEIO PARA CRIANÇAS

Utilização para evitar o funcionamento não supervisionado do forno por crianças.

Para entrar na fechadura à prova de crianças: Em modo de espera, se não houver qualquer operação dentro de um minuto, o forno entrará automaticamente no modo de bloqueio de crianças e a luz indicadora de bloqueio acender-se-á. No estado de bloqueio, todos os botões estão desactivados.

Para cancelar: No modo de fechadura para crianças, abrir ou fechar a porta do forno para cancelar o programa e a luz indicadora de fechadura apagar-se-á.

MENUS AUTOMÁTICOS

Para os seguintes alimentos ou modo de cozedura, não é necessário programar o tempo de cozedura e a potência de cozedura. É suficiente indicar o tipo de comida que se quer cozinhar, bem como o peso ou porções desta comida.

1. Em modo de espera, rodar MENU/TIME no sentido anti-horário para seleccionar o código alimentar.
2. Premir repetidamente o botão WEIGHT ADJUST para seleccionar o peso dos alimentos ou porções.
3. Prima o botão START/QUICK START para confirmar.

Menus de cozinha automática:

Código	Alimentos	Peso/ Quantidade	Observação
A-01	Leite/Café/Tea (200 ml/copo)	1 chávena	A exposição mostrará o número de porções em vez do peso dos alimentos
		2 chávenas	
		3 chávenas	
A-02	Esparguete	100 g	
		200 g	
		300 g	
A-03	Batata	100 g	
		200 g	
		300 g	
A-04	Reaquecer Auto	200 g	
		300 g	
		400 g	
		500 g	
		600 g	
		700 g	
		800 g	
A-05	Peixe	200 g	
		300 g	
		400 g	
		500 g	
		600 g	
A-06	Pipocas	100 g	
A-07	Frango	800 g	Durante a cozedura o forno irá parar para lembrar o utilizador de
		1000 g	

Código	Alimentos	Peso/ Quantidade	Observação
		1200 g	virar os alimentos, depois disso prima o botão START/QUICK START para retomar
		1400 g	
A-08	Carne de vaca/Mutton	200 g	
		300 g	
		400 g	
		500 g	
		600 g	
A-09	Carne Espetada	100 g	Durante a cozedura o forno irá parar para lembrar o utilizador de virar os alimentos, depois disso prima o botão START/QUICK START para retomar
		200 g	
		300 g	
		400 g	
		500 g	
A-10	Sopa	1	200 g / porção
		2	
		3	
A-11	Papas	50 g	
		100 g	
		150 g	
A-12	produto hortícola no estado natural	200 g	
		300 g	
		400 g	
		500 g	
		600 g	
A-13	Vegetais congelados	200 g	
		300 g	
		400 g	
		500 g	
		600 g	
A-14	Arroz	150 g	
		300 g	
		450 g	
		600 g	

Código	Alimentos	Peso/ Quantidade	Observação
A-15	Pizza	150 g	
		300 g	
		450 g	
A-16	Peixe Grelhado	200 g	Durante a cozedura o forno irá parar para lembrar o utilizador de virar os alimentos, depois disso prima o botão START/QUICK START para retomar
		300 g	
		400 g	
		500 g	
		600 g	
A-17	Bacon grelhado	100 g	
		200 g	
		300 g	
A-18	Enchidos	100 g	Durante a cozedura o forno irá parar para lembrar o utilizador de virar os alimentos, depois disso prima o botão START/QUICK START para retomar
		200 g	
		300 g	
		400 g	
		500 g	
A-19	Autoclean/(performance seria a gota de água cheia do interior da cavidade)		

O resultado da cozedura automática depende de factores tais como a forma e o tamanho dos alimentos, as suas preferências pessoais quanto à doçura de certos alimentos e mesmo o quão bem se colocam os alimentos no forno. Se o resultado não for satisfatório, por favor ajuste o tempo de cozedura um pouco em conformidade.

LIMPEZA E MANUTENÇÃO

1. Desligue o forno e desligue o cabo de alimentação da parede ao limpar.
2. Manter o interior do forno limpo. Quando salpicos de comida ou líquidos derramados aderem às paredes do forno, limpe com um pano húmido. Podem ser utilizados detergentes suaves se o forno ficar muito sujo. Evitar o uso de spray ou outros produtos de limpeza agressivos. Podem manchar, riscar ou entorpecer a superfície da porta.
3. O exterior do forno deve ser limpo com um pano húmido. Para evitar danos nas partes operacionais no interior do forno, não se deve permitir a infiltração de água nas aberturas de ventilação.

4. Limpar a porta e a janela de ambos os lados, as juntas da porta e as partes adjacentes frequentemente com um pano húmido para remover quaisquer derrames ou salpicos. Não utilizar produto de limpeza abrasivo.
5. Não é utilizado um aparelho de limpeza a vapor.
6. Não permitir que o painel de controlo fique molhado. Limpe com um pano macio e úmido. Ao limpar o painel de controlo, deixar a porta do forno aberta para evitar que o forno se ligue acidentalmente.
7. Se o vapor se acumular dentro ou à volta da porta do forno, limpe com um pano macio. Isto pode ocorrer quando o forno de microondas é operado sob condições de humidade elevada. E é normal.
8. É ocasionalmente necessário retirar o tabuleiro de vidro para limpeza. Lavar o tabuleiro em água quente com gás ou numa máquina de lavar louça.
9. O anel de roletes e o chão do forno devem ser limpos regularmente para evitar ruídos excessivos. Limpar simplesmente a superfície inferior do forno com detergente suave. O anel de rolo pode ser lavado em água suave, com sabão ou numa máquina de lavar louça. Ao remover o anel de rolete, certifique-se de que o substitui na posição correcta.
10. Retire os odores do seu forno combinando uma chávena de água com o sumo e a pele de um limão numa tigela que pode ser colocada no microondas. Microondas durante 5 minutos. Limpar bem e secar com um pano macio.
11. Se a lâmpada se queimar, contactar o serviço ao cliente para que seja substituída.
12. O forno deve ser limpo regularmente e todos os resíduos de alimentos devem ser removidos. A não manutenção do forno num estado limpo poderia levar à deterioração da superfície que poderia afectar negativamente a vida útil da unidade e poderia possivelmente resultar numa situação perigosa.
13. Por favor, não deitar este aparelho no caixote do lixo doméstico; ele deve ser deitado no centro de eliminação específico fornecido pelos municípios.
14. Quando o forno microondas com função de grelhador é utilizado pela primeira vez, pode produzir fumo e cheiro ligeiro. Este é um fenómeno normal, porque o forno é feito de uma placa de aço revestida com óleo lubrificante, e o novo forno produzirá fumos e odores gerados pela queima do óleo lubrificante. Este fenómeno desaparecerá após um período de utilização.

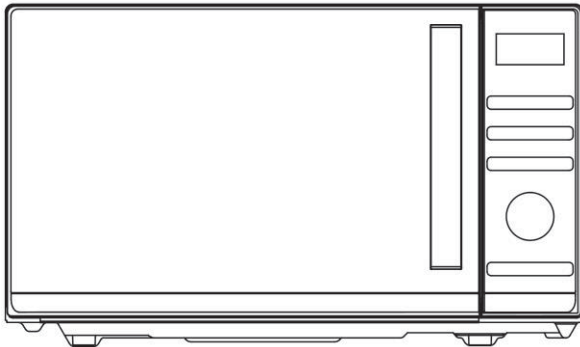


Este aparelho está rotulado em conformidade com a Diretiva Europeia 2012/19/UE relativa aos resíduos de equipamentos elétricos e eletrónicos (REEE) 2013 em relação aos aparelhos elétricos e eletrónicos. Os REEE contêm substâncias poluentes (que podem ter um efeito negativo sobre o meio ambiente) e elementos base (que podem ser reutilizados). É importante que os REEE sejam submetidos a tratamentos específicos para remover e eliminar os poluentes e recuperar todos os materiais. As pessoas podem desempenhar um papel importante para garantir que os REEE não representem um problema ambiental; é essencial que sejam cumpridas algumas normas básicas:

- Os REEE não devem ser tratados como lixo doméstico;
- Os REEE devem ser levados para áreas de recolha dedicadas administradas pelo município ou por uma empresa registada.

Em muitos países, as recolhas domésticas podem estar disponíveis para grandes REEEs. Quando compra um aparelho novo, o antigo pode ser devolvido ao revendedor, que deve aceitar tratar da recolha gratuitamente, desde que o equipamento seja de um tipo equivalente e tenha as mesmas funções do equipamento fornecido.

Návod k mikrovlnnej rúre



Model: CMGA20TNDB

Pred inštaláciou a obsluhou rúry si pozorne prečítajte tento návod.

Haier Europe <small>CANDY</small> <small>Haier</small>	PT 📞 707 200 188 210 010 773	IT 📞 02 400 48 200	ES 📞 902 100 150 943 914 150	DE 📞 0800 500 48 48
BE 📞 02 752 94 10	NL 📞 33 422 4000	AT 📞 0820 220 224	GR 📞 801 11 50 50 50	CH 📞 0848 780 780

70017948

OBSAH

OPATRENIA NA ZABRÁNENIE MOŽNÉMU VYSTAVENIU NADMERNEJ MIKROVLNNEJ ENERGII	3
DÔLEŽITÉ BEZPEČNOSTNÉ POKYNY	3
NÁVOD NA INŠTALÁCIU.....	6
POKYNY NA UZEMNENIE.....	6
RÁDIOVÉ RUŠENIE	7
PRED VYŽIADANÍM SLUŽBY.....	7
TECHNIKY VARENIA.....	7
SPRIEVODCA KUCHYNSKÝM NÁČINÍM	8
ŠPECIFIKÁCIE	9
DIAGRAM PRODUKTU	9
OVLÁDACÍ PANEL.....	10
NÁVOD NA OBSLUHU	11
NASTAVENIE ČASU HODÍN	11
EXPRESNÉ VARENIE	11
MIKROVLNNÁ PRÍPRAVA JEDLA	11
ČASOVÉ ROZMRAZOVANIE	12
AUTOMATICKÉ ODMRAZOVANIE	12
GRIL	12
KOMBINOVANÉ VARENIE	13
DETSKÁ POISTKA	13
AUTOMATICKÉ VARENIE	13
ČISTENIE A ÚDRŽBA	16

OPATRENIA NA ZABRÁNENIE MOŽNÉMU VYSTAVENIU NADMERNEJ MIKROVLNNEJ ENERGII

1. Nepokúšajte sa používať túto rúru s otvorenými dvierkami, pretože prevádzka s otvorenými dvierkami môže mať za následok škodlivé vystavenie mikrovlnnej energii. Je dôležité, aby ste nepoškodili bezpečnostné zámky ani s nimi nemanipulovali.
2. Medzi čelnú plochu rúry a dvierka neumiestňujte žiadne predmety, ani nedovoľte, aby sa na tesniacich plochách nahromadila špina alebo zvyšky čistiacieho prostriedku.
3. Ak je rúra poškodená, nepoužívajte ju. Je veľmi dôležité, aby sa dvierka rúry riadne zatvorili a aby nedošlo k poškodeniu
 - a) Dvierka (vrátane akýchkoľvek ohnutých),
 - b) Závesy a západky (zlomené alebo uvoľnené),
 - c) Tesnenia dvierok a tesniace plochy.
4. Rúra by mal nastavovať a opravovať len kvalifikovaný servisný personál.

DÔLEŽITÉ BEZPEČNOSTNÉ POKYNY

Pri používaní elektrického spotrebiča sa majú dodržiavať základné bezpečnostné opatrenia vrátane:

UPOZORNENIE! Na zníženie rizika popálenín, úrazu elektrickým prúdom, požiaru, zranenia osôb alebo vystavenia nadmernej mikrovlnnej energii:

1. Pred použitím spotrebiča si prečítajte celý návod a uschovajte ho na budúce použitie.
2. Tento spotrebič používajte len na zamýšľané použitie, ako je opísané v návode. Na tento spotrebič nepoužívajte korozívne chemikálie ani výpary. Tento typ rúry je špeciálne navrhnutý na ohrev, varenie alebo sušenie potravín. Nie je určený na priemyselné alebo laboratórne použitie.
3. Ak je rúra prázdna, nepoužívajte ju.
4. Nepoužívajte tento spotrebič, ak má poškodený kábel alebo zástrčku, ak nefunguje správne, alebo ak bol poškodený alebo spadol. Ak došlo k poškodeniu napájacieho kábla, musí ho vymeniť výrobca, jeho servisný zástupca alebo podobne spôsobilá osoba, aby nedošlo k nebezpečenstvu.

5. **UPOZORNENIE!** Deti môžu používať rúru bez dozoru len vtedy, ak im boli poskytnuté primerané pokyny na to, aby mohli používať rúru bezpečným spôsobom a pochopili nebezpečenstvo spojené s nesprávnym použitím.
6. **UPOZORNENIE!** Keď je spotrebič v kombinovanom režime, deti by vzhľadom na generované teploty mali používať rúru len pod dohľadom dospelých.
7. Aby sa znížilo riziko požiaru vo vnútri rúry:
 - Pri ohrievaní potravín v plastových alebo papierových nádobách sledujte rúru kvôli možnosti vznietenia.
 - Pred vložením vrečka do rúry odstráňte drôtené spony z papierových alebo plastových vrieciek.
 - Ak spozorujete dym, vypnite alebo odpojte spotrebič a nechajte dverka zatvorené, aby ste udusili všetok plameň.
 - Nepoužívajte vnútro rúry na skladovacie účely. Ak sa nepoužíva, nenechávajte vo vnútri papierové výrobky, kuchynské potreby ani jedlo.
 - Mikrovlnná rúra je určená na ohrev jedál a nápojov. Sušenie odevov a zahrievanie ohrievacích podložiek, papúč, špongií, vlhkej handričky a podobných výrobkov môže spôsobiť riziko poranenia, vznietenia alebo požiaru.
8. **UPOZORNENIE!** Kvapalné alebo iné potraviny sa nesmú zahrievať v uzavretých nádobách, pretože by mohli vybuchnúť.
9. Ohrievanie nápoja mikrovlnnou rúrou môže viesť k oneskorenému erupčivému varu, preto sa pri manipulácii s nádobou musí postupovať opatrne.
10. Nesmažte jedlo v rúre. Horúci olej môže poškodiť časti rúry a príslušenstvo a dokonca spôsobiť popáleniny pokožky.
11. Vajcia v škrupine a celé vajcia varené na tvrdo by sa nemali zahrievať v mikrovlnných rúrach, pretože môžu vybuchnúť aj po ukončení zahrievania v mikrovlnnej rúre.
12. Potraviny s hrubou kožou, ako sú zemiaky, celé tekvice, jablká a gaštany, pred varením prepichnete.
13. Obsah krmných fliaš a detských pohárov by sa mal miešať alebo pretrepávať a pred podaním by sa mala skontrolovať teplota, aby sa zabránilo popáleninám.
14. Kuchynské nádoby sa môžu zohriať v dôsledku tepla prenášaného z ohrievaných potravín. Na manipuláciu s nádobami môžu byť potrebné kuchynské chňapky.
15. Nádoby by sa mali skontrolovať, aby sa zabezpečilo, že sú vhodné na použitie v mikrovlnnej rúre.
16. **UPOZORNENIE!** Je nebezpečné, aby akúkoľvek servisnú alebo opravnú operáciu, ktorá zahŕňa odstránenie akéhokoľvek krytu, ktorý poskytuje ochranu pred vystavením mikrovlnnej energii, vykonala osoba, ktorá nie je vyškolená.
17. Táto mikrovlnná rúra je v súlade s normou EN 55011/CISPR 11, v tejto norme patrí do triedy B skupiny 2. Zariadenie skupiny 2: skupina 2 obsahuje všetky rádiové frekvenčné zariadenia ISM, v ktorých sa úmyselne vyrába a používa rádiové frekvenčná energia vo frekvenčnom rozsahu 9 kHz až 400 GHz alebo sa používa len lokálne vo forme elektromagnetického žiarenia, indukčného a/alebo kapacitného spojenia na úpravu materiálu, na účely inšpekcie/analýzy alebo na prenos elektromagnetickej energie. Zariadenie triedy B je zariadenie vhodné na používanie na miestach v obytných prostrediach a v zariadeniach priamo pripojených k sieti nízkonapäťového napájania, ktorou sú napájané budovy používané na bývanie.

18. Tento spotrebič nie je určený na použitie osobami (vrátane detí) so zníženými fyzickými, zmyslovými či duševnými schopnosťami, alebo osobami bez žiadnej znalosti, pokiaľ nie sú pod dozorom alebo neboli vopred poučené o používaní spotrebiča osobou zodpovednou za ich bezpečnosť.
19. Deti by mali byť pod dozorom, aby sa zaistilo, že sa nebudú hrať so zariadením.
20. Mikrovlnná rúra sa používa len ako voľne stojaca.
21. **UPOZORNENIE!** Neinštalujte rúru nad hornú časť varnej dosky alebo iný tepelný spotrebič. Ak by ste ju tam inštalovali, mohlo by dôjsť k poškodeniu a záruka by sa ukončila.
22. Mikrovlnná rúra sa nesmie umiestniť do skrine.
23. Dvere alebo vonkajší povrch sa môžu zohriať, keď je spotrebič v prevádzke.
24. **UPOZORNENIE!** Prístupné časti sa môžu počas používania zohriať. Malé deti by mali byť mimo dosahu.
25. Spotrebič sa pri používaní zahrieva na vysokú teplotu. Dávajte pozor, aby ste sa nedotkli vyhrievacích prvkov platničky a na pečenie vo vnútri rúry.
26. Teplota prístupných povrchov môže byť počas prevádzky spotrebiča vysoká.
27. Spotrebič nesmú používať deti alebo osoby so zníženými fyzickými, zmyslovými alebo mentálnymi schopnosťami alebo nedostatkom skúseností a znalostí, pokiaľ nie sú pod dozorom alebo boli poučení.
28. **UPOZORNENIE!** Ak sú dvierka alebo tesnenia dvierok poškodené, rúra nesmie byť v prevádzke, kým ju neopraví kompetentná osoba.
29. 24. Spotrebiče nie sú určené na obsluhu pomocou externého časovača alebo samostatného systému diaľkového ovládania.
30. Mikrovlnná rúra je určená len na použitie v domácnosti a nie na komerčné účely.
31. Nikdy neodstraňujte dištančnú lištu vzadu alebo po stranách, pretože zabezpečuje minimálnu vzdialenosť od steny pre cirkuláciu vzduchu.
32. Pred presunom spotrebiča zaistíte otočný tanier, aby nedošlo k poškodeniu.
33. **UPOZORNENIE!** Je nebezpečné, ak spotrebič opravuje alebo servisuje osoba, ktorá nie je špecialistom, pretože za týchto okolností je potrebné odstrániť kryt, ktorý zabezpečuje ochranu pred mikrovlnným žiarením. Platí to aj pre výmenu napájacieho kábla alebo osvetlenia. V týchto prípadoch pošlite spotrebič do nášho servisného strediska.
34. Mikrovlnná rúra je určená len na rozmrazovanie potravín, ich varenie a varenie v pare.
35. Ak vyberáte akékoľvek zohriate jedlo, použite rukavice.
36. Pozor! Pri otváraní viečok alebo baliacej fólie uniká para.
37. Tento spotrebič môžu používať deti staršie než 8 rokov a osoby so zníženými telesnými, zmyslovými alebo duševnými schopnosťami alebo s nedostatkom skúseností a znalostí, len ak sú pod dozorom alebo dostali pokyny o používaní spotrebiča bezpečným spôsobom a ak chápu nebezpečenstvá s ním súvisiace. Deti sa nesmú hrať so spotrebičom. Čistenie a údržbu používateľa nesmú vykonávať deti, pokiaľ nie sú staršie ako 8 rokov a nie sú pod dohľadom.
38. Ak sa tvorí dym, vypnite alebo odpojte spotrebič a nechajte dvierka zatvorené, aby ste udusili prípadný plameň.

NÁVOD NA INŠTALÁCIU

1. Uistite sa, či sú zvnútra rúry odstránené všetky obalové materiály.
2. **UPOZORNENIE!** Skontrolujte, či rúra nie je poškodená, ako sú nesprávne zarovnané alebo ohnuté dvierka, poškodené tesnenia dvierok a tesniaci povrch, poškodené alebo uvoľnené závesy dvierok a zámky a zuby vo vnútri rúry alebo na dvierkach. Ak dôjde k poškodeniu, rúru nepoužívajte a kontaktujte kvalifikovaný servisný personál.
3. Táto mikrovlnná rúra sa musí umiestniť na rovný, stabilný povrch, ktorý udrží jej hmotnosť a najťažšie jedlo, ktoré sa pravdepodobne bude pripravovať v rúre.
4. Neumiestňujte rúru tam, kde vzniká teplo, vlhko alebo vysoká vlhkosť, alebo v blízkosti horľavých materiálov.
5. Pre správnu prevádzku musí mať rúra dostatočný prietok vzduchu. Ponechajte minimálne 20 cm voľného priestoru nad horným povrchom rúry a 5 cm na oboch stranách. Zadný plech mikrovlnnej rúry musí byť umiestnený blízko steny. Nezakrývajte ani neblokujte žiadne otvory na spotrebiči. Neodstraňujte nožičky.
6. Nepoužívajte rúru bez skleneného taniera, valčekového prstenca a hriadeľa v ich správnej polohe.
7. Uistite sa, či napájací kábel nie je poškodený a či neprechádza pod rúrou ani cez horúci alebo ostrý povrch.
8. Zásuvka musí byť dobre prístupná, aby bolo možné spotrebič, v prípade nebezpečenstva, ľahko odpojiť od siete.
9. Nepoužívajte rúru vonku.

POKYNY NA UZEMNENIE

Tento spotrebič musí byť uzemnený. Táto rúra je vybavená káblom, ktorý má uzemňovací vodič s uzemňovacou zástrčkou. Musí byť zapojený do takej zásuvky, ktorá je správne nainštalovaná a uzemnená. V prípade elektrického skratu uzemnenie znižuje riziko úrazu elektrickým prúdom tým, že poskytuje elektrickému prúdu únikový vodič. Odporúča sa, aby bol k dispozícii samostatný okruh slúžiaci len pre rúru. Použitie vysokého napätia je nebezpečné a môže mať za následok požiar alebo inú nehodu spôsobujúcu poškodenie rúry. **UPOZORNENIE!** Nesprávne používanie uzemňovacej zástrčky môže spôsobiť riziko úrazu elektrickým prúdom. Poznámka:

1. Ak máte akékoľvek otázky týkajúce sa uzemnenia alebo elektrických pokynov, poraďte sa s kvalifikovaným elektrikárom alebo servisným technikom.
 2. Výrobca ani predajca nemôžu prevziať žiadnu zodpovednosť za poškodenie rúry alebo zranenie osôb v dôsledku nedodržania postupov elektrického pripojenia.
- Drôty v tomto káblovom vedení sú sfarbené v súlade s nasledujúcim kódom:

Zelená a žltá = UZEMNENIE

Modrá = NEUTRÁL

Hnedá = FÁZA

RÁDIOVÉ RUŠENIE

Prevádzka mikrovlnnej rúry môže spôsobiť rušenie rádiového, televízneho alebo podobného zariadenia. Ak dôjde k rušeniu, môže sa znížiť alebo eliminovať nasledovnými opatreniami:

1. Vyčistíte dvierka a tesniaci povrch rúry.
2. Presmerujete prijímaciu anténu rádia alebo televízie.
3. Mikrovlnnú rúru premiestnite s ohľadom na prijímač.
4. Presuňte mikrovlnnú rúru od prijímača.
5. Zapojte mikrovlnnú rúru do inej zásuvky tak, aby boli mikrovlnná rúra a prijímač pripojené k rôznym vetvám obvodu.

PRED VYŽIADANÍM SLUŽBY

Pred vyžiadaním servisu skontrolujte každú položku nižšie:

- Skontrolujte, či je rúra bezpečne zapojená. Ak nie, vyťahnite zástrčku zo zásuvky, počkajte 10 sekúnd a znovu ju bezpečne zapojte.
- Skontrolujte, či nie je spálená poistka obvodu alebo vypnutý hlavný istič. Ak sa zdá, že tieto zariadenia fungujú správne, otestujte zásuvku iným spotrebičom.
- Skontrolujte, či je ovládací panel správne naprogramovaný a časovač je nastavený.
- Skontrolujte, či sú dvierka bezpečne zatvorené s použitím systému zámku dvierok. Ak dvierka nie sú správne zatvorené, vo vnútri nebude prúdiť mikrovlnná energia.

AK ŽIADNE Z VYŠŠIE UVEDENÝCH OPATRENÍ NEVYRIEŠI PROBLÉM, KONTAKTUJTE KVALIFIKOVANÉHO TECHNIKA. NEPOKÚŠAJTE SA RÚRU NASTAVIŤ ANI OPRAVIŤ SAMI.

TECHNIKY VARENIA

1. Opatrne pripravte potraviny. Najhrubšie miesta umiestnite smerom von z taniera.
2. Sledujte čas prípravy jedla. Varte čo najkratšie a podľa potreby ho predĺžte. Silne prehriate jedlo môže dymiť alebo sa môže vznietiť.
3. Počas varenia zakryte potraviny. Kryty zabraňujú rozstreknutiu a pomáhajú rovnomernému vareniu potravín.
4. Počas mikrovlnnej prípravy jedla jedenkrát otočte jedlo, aby ste urýchlili varenie takých potravín, ako sú kurča a hamburgery. Veľké kusy, ako sú pečenky, sa musia otočiť aspoň raz.
5. Jedlo ako mäsové guľky uprostred varenia premiešajte tak, aby sa guľky zdola dostali nahor a guľky zo stredu taniera na okraj.

SPRIEVODCA KUCHYNSKÝM NÁČINÍM

1. Mikrovlny nemôžu preniknúť cez kov. Používajte len také nádoby, ktoré sú vhodné na použitie v mikrovlnných rúrach. Kovové nádoby na potraviny a nápoje nie sú počas mikrovlnnej prípravy jedla povolené. Táto požiadavka sa neuplatňuje, ak výrobca špecifikuje veľkosť a tvar kovových nádob vhodných na mikrovlnnú prípravu jedla.
2. Mikrovlny nemôžu preniknúť cez kov, preto by sa nemali používať kovové nádoby alebo riady s kovovým lemovaním.
3. Výrobky z recyklovaného papiera nepoužívajte pri mikrovlnnej príprave jedla, pretože môžu obsahovať malé kovové úlomky, ktoré môžu spôsobiť iskry a/alebo požiare.
4. Odporúčame zvoliť radšej okrúhle alebo oválne nádoby, pretože v obdĺžnikových a štvorcových sa môže jedlo v rohoch prehrievať.
5. Na zabránenie prehriatia exponovaných plôch sa môžu použiť úzke pásy hliníkovej fólie. Ale buďte opatrní, nepoužívajte jej príliš veľa a udržiavajte vzdialenosť 2,54 cm medzi fóliou a stenou vnútra.

Zoznam uvedený nižšie je všeobecným sprievodcom, ktorý vám pomôže vybrať správne nádoby.

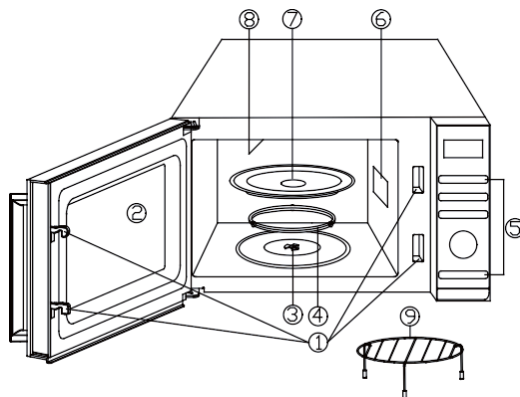
RIAD	MIKROVLNA	GRIL	KOMBINOVANÉ VARENIE
Tepelne odolné sklo	Áno	Áno	Áno
Sklo, ktoré nie je odolné voči teplu	Nie	Nie	Nie
Keramika odolná voči teplu	Áno	Áno	Áno
Plastový riad bezpečný pre mikrovlnnú rúru	Áno	Nie	Nie
Kuchynský papier	Áno	Nie	Nie
Kovový tanier	Nie	Áno	Nie
Kovový stojan	Nie	Áno	Nie
Hliníkové fólie a fóliové obaly	Nie	Áno	Nie

ŠPECIFIKÁCIE

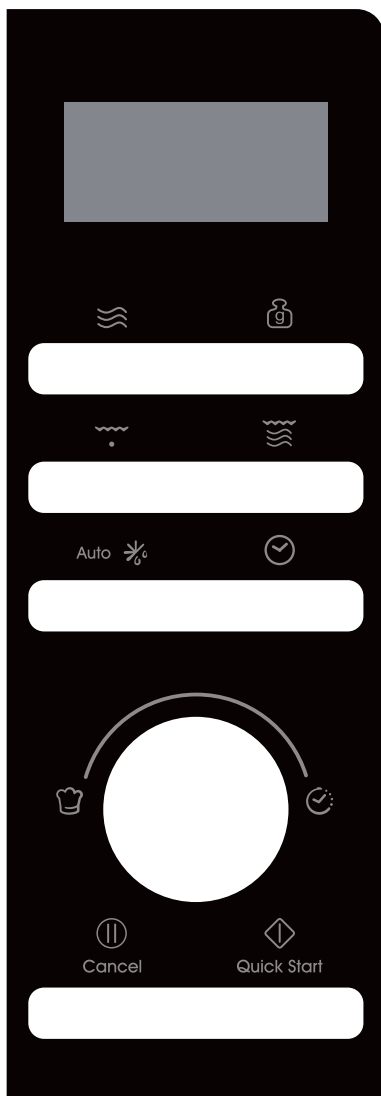
Príkon:	230-240 V/50 Hz, 1200 W (mikrovlnná rúra) 900 W (gril)
Menovitý výkon mikrovlnnej rúry:	700 W
Prevádzková frekvencia:	2450 MHz
Vonkajšie rozmery:	262 mm (V) × 452 mm (Š) × 357 mm (H)
Rozmery vnútra rúry:	198 mm (V) × 315 mm (Š) × 297 mm (H)
Objem rúry:	20 litrov
Čistá hmotnosť:	Približne 11,3 kg

DIAGRAM PRODUKTU

1. Systém bezpečnostného zámku dverok
2. Okienko rúry
3. Hriadeľ
4. Valčekový prsteneč
5. Ovládací panel
6. Sprievodca vlnami (Neodstraňujte sľudovú dosku pokrývajúcu vlnovod)
7. Sklenený tanier
8. Ohrievač grilu
9. Kovový stojan



OVLÁDACÍ PANEL



● AKČNÁ OBRAZOVKA MENU

Zobrazujú sa ukazovatele času varenia, výkonu a činnosti.

● POWER

Stlačením nastavíte úroveň výkonu mikrovlnnej prípravy jedla.

● NASTAVENIE VÁHY

Stlačením tlačidla nastavíte hmotnosť potravín alebo porcií.

● GRIL

Stlačte pre nastavenie programu prípravy jedla grilom.

● KOMBINÁCIA

Stlačením tlačidla nastavíte kombinovaný program varenia.

● AUTOMATICKÉ ROZMRAZOVANIE

Auto 

Stlačením jedného tlačidla rozmrazíte potraviny podľa času. Stlačte dvakrát, aby ste rozmrazili potraviny podľa hmotnosti.

● CLOCK

Stlačte pre nastavenie času hodín.

● MENU/ČAS (vytáčanie)

Otočením ovládača nastavte čas. Otáčaním voliča vyberte ponuku automatického varenia.

● PAUZA/ZRUŠENIE Cancel


Jedným stlačením dočasne ukončíte prípravu jedla alebo dvoma stlačeniami úplne zrušíte prípravu jedla.

● ŠTART/RÝCHLY ŠTART Quick Start

Stlačením spustíte programy varenia a rozmrazovania.

Jednoducho ho niekoľkokrát stlačte, aby ste nastavili čas prípravy jedla a okamžite ho uvarili pri plnom výkone.

NÁVOD NA OBSLUHU

- Pri prvom zapojení rúry zaznie zvukový signál a na displeji sa zobrazí "1:01" a .
- Počas nastavovania prerušeného na asi 25 sekúnd sa rúra vráti do pohotovostného režimu.
- Ak počas varenia raz stlačíte tlačidlo PAUSE/CANCEL, program sa pozastaví, potom stlačením tlačidla START/QUICK START pokračujte. Ak však dvakrát stlačíte tlačidlo PAUSE/CANCEL, program sa zruší.
- Po skončení varenia sa na displeji zobrazí End a každé dve minúty zaznie zvukový signál, kým používateľ nestlačí tlačidlo PAUSE/CANCEL alebo neotvorí dvierka.
- Ak počas prevádzky stlačíte platné tlačidlo, bzučiak zazvoní raz, ale ak stlačíte neplatné tlačidlo, bzučiak zazvoní dvakrát.
- Elektronicky ovládaný systém mikrovlnnej rúry má funkciu chladenia. V prípade akéhokoľvek režimu pečenia, ktorý trvá viac ako 2 minúty, po skončení pečenia otvorte dvierka rúry alebo program pečenia pozastavte, ventilátor rúry bude automaticky pracovať približne 3 minúty, aby rúru ochladil a predĺžil tak jej životnosť.
- Upozornenie!- Ak je čas varenia dlhší ako 2 minúty, chladiaci ventilátor sa automaticky spustí približne na 3 minúty.

NASTAVENIE ČASU HODÍN

Ide o 12- a 24-hodinové hodiny, stlačením tlačidla CLOCK v pohotovostnom režime môžete nastaviť čas hodín v 12- alebo 24-hodinovom cykle.

1. V pohotovostnom režime opakovaným stláčaním tlačidla CLOCK vyberte 12-hodinové alebo 24-hodinové hodiny.
2. Otáčaním voliča MENU/ČAS nastavte číslicu hodiny.
3. Stlačte raz tlačidlo CLOCK.
4. Otáčaním voliča MENU/ČAS nastavte číslicu minúty.
5. Stlačte tlačidlo CLOCK jedenkrát na potvrdenie.

POZNÁMKA: Počas varenia môžete skontrolovať aktuálny čas stlačením tlačidla CLOCK.

EXPRESNÉ VARENIE

Túto funkciu použite na pohodlné naprogramovanie rúry na mikrovlnné ohrievanie jedla pri 100 % výkone. V pohotovostnom režime stačí opakovane stlačiť tlačidlo START/QUICK START a nastaviť čas pečenia (každé stlačenie zvýši čas pečenia o 30 sekúnd a až o 10 minút), rúra začne automaticky pracovať na plný výkon.

MIKROVLNNÁ PRÍPRAVA JEDLA

1. V pohotovostnom režime opakovaným stláčaním tlačidla POWER vyberte úroveň výkonu.
2. Otáčaním voliča MENU/TIME v smere hodinových ručičiek nastavte čas varenia. Najdlhší čas je 95 minút.
3. Potvrďte stlačením tlačidla ŠTART/RÝCHLY ŠTART.

Stlačením tlačidla POWER vyberte úroveň výkonu:

Stlačte tlačidlo POWER	Výkon (displej)	Stlačte tlačidlo POWER	Výkon (displej)
Raz	100 % (100)	7-krát	40 % (40)
Dvakrát	90 % (90)	8-krát	30 % (30)
3-krát	80 % (80)	9-krát	20 % (20)
4-krát	70 % (70)	10-krát	10 % (10)
5-krát	60 % (60)	11-krát	00 % (00)
6-krát	50 % (50)		

POZNÁMKA: Počas varenia môžete skontrolovať úroveň výkonu varenia stlačením tlačidla POWER.

ČASOVÉ ROZMRAZOVANIE

1. V pohotovostnom režime stlačte raz tlačidlo AUTO DEFROST.
2. Otočením voliča MENU/ČAS nastavte čas rozmrazovania. Najdlhší čas je 95 minút.
3. Potvrďte stlačením tlačidla ŠTART/RÝCHLY ŠTART.

POZNÁMKA: Počas programu rozmrazovania sa systém zastaví a zaznie zvukový signál, aby používateľovi pripomenul, že má potraviny otočiť, a potom stlačte tlačidlo ŠTART/RÝCHLY ŠTART, aby ste pokračovali.

AUTOMATICKÉ ODMRAZOVANIE

Čas rozmrazovania a úroveň výkonu sa nastaví automaticky po naprogramovaní hmotnosti potravín. Hmotnosť mrazených potravín sa pohybuje od 100 g do 1800 g.

1. V pohotovostnom režime dvakrát stlačte tlačidlo AUTO DEFROST.
2. Opakovaným stláčaním tlačidla WEIGHT ADJUST vyberte hmotnosť potraviny.
3. Potvrďte stlačením tlačidla ŠTART/RÝCHLY ŠTART.

POZNÁMKA: Počas rozmrazovania sa systém pozastaví a zvukovým signálom pripomenie používateľovi, aby potraviny otočil a potom stlačením tlačidla START/QUICK START pokračovať.

GRIL

Grilovanie je zvlášť vhodné pre tenké plátky mäsa, bifteky, rezne, kebaby, údeniny a kúsky kuraťa. Je vhodné aj na teplé sendviče a gratinované jedlá.

1. V pohotovostnom režime stlačte raz tlačidlo GRIL.
2. Otočením voliča MENU/ČAS nastavte čas varenia. Najdlhší čas je 95 minút.
3. Potvrďte stlačením tlačidla ŠTART/RÝCHLY ŠTART.

KOMBINOVANÉ VARENIE

Gril funguje dlhšie ako mikrovlnná rúra v režime prípravy jedla kombinované varenie 1, použite na ryby a gratinovanie. Mikrovlnná rúra však funguje dlhšie ako gril v režime prípravy jedla kombinované varenie 2, použite na puding, omelety, pečené zemiaky a hydinu.

1. V pohotovostnom režime stlačte tlačidlo COMBINATION raz alebo dvakrát, aby ste vybrali "Co-1" alebo "Co-2".
2. Otočením voliča MENU/ČAS nastavte čas varenia. Najdlhší čas je 95 minút.
3. Potvrďte stlačením tlačidla ŠTART/RÝCHLY ŠTART.

AUTOMATICKÉ ČISTENIE

Do rúry vložte misku s 300 g vody a zatvorte dverka.

4. V pohotovostnom režime otočte raz volič MENU/TIME proti smeru hodinových ručičiek a potom otáčajte voličom, kým sa na displeji nezobrazí "A-19" a "AUTO".
5. Stlačte raz tlačidlo WEIGHT ADJUST.
6. Stlačte tlačidlo START/QUICK START na spustenie.

POZNÁMKA: Čas čistenia je 10 minút.

DETSKÁ POISTKA

Používajte, aby ste zabránili deťom obsluhovať rúru bez dozoru.

Zadanie detskej poistky: V pohotovostnom režime, ak sa do jednej minúty nevykoná žiadna činnosť, rúra automaticky prejde do režimu detskej poistky a rozsvieti sa kontrolka poistky. V stave detskej poistky sú všetky tlačidlá deaktivované.

Zrušenie: V režime detskej poistky otvorte alebo zatvorte dverka rúry, aby ste zrušili program a kontrolka poistky zhasne.

AUTOMATICKÉ VARENIE

Pre nasledujúce jedlo alebo režim varenia nie je potrebné programovať čas varenia a výkon varenia. Stačí uviesť druh jedla, ktoré chcete variť, ako aj hmotnosť alebo porcie jedla.

1. V pohotovostnom režime otáčaním voliča MENU/TIME proti smeru hodinových ručičiek vyberte kód jedla.
2. Opakovaným stláčaním tlačidla WEIGHT ADJUST vyberte hmotnosť potravín alebo porcií.
3. Potvrďte stlačením tlačidla ŠTART/RÝCHLY ŠTART.

Ponuky automatického varenia:

Kód	Jedlo	Hmotnosť/ množstvo	Poznámka
A-01	Mlieko/káva/čaj (200 ml/šálka)	1 šálka	
		2 šálky	

Kód	Jedlo	Hmotnosť/ množstvo	Poznámka
		3 šálky	Na displeji sa namiesto hmotnosti potravín zobrazí počet porcií
A-02	špagety	100 g	
		200 g	
		300 g	
A-03	Zemiak	100 g	
		200 g	
		300 g	
A-04	Automatický opätovný ohrev	200 g	
		300 g	
		400 g	
		500 g	
		600 g	
		700 g	
		800 g	
A-05	Ryba	200 g	
		300 g	
		400 g	
		500 g	
		600 g	
A-06	Pukance	100 g	
A-07	Kura	800 g	Počas pečenia sa rúra zastaví, aby pripomenula používateľovi, že má jedlo otočiť, potom stlačte tlačidlo START/QUICK START, aby ste pokračovali
		1000 g	
		1200 g	
		1400 g	
A-08	Hovädzie mäso/mäso	200 g	
		300 g	
		400 g	
		500 g	
		600 g	
A-09	Mäso na špíze	100 g	Počas pečenia sa rúra zastaví, aby pripomenula používateľovi, že má jedlo
		200 g	
		300 g	

Kód	Jedlo	Hmotnosť/ množstvo	Poznámka
		400 g	otočiť, potom stlačte tlačidlo START/QUICK START, aby ste pokračovali
		500 g	
A-10	polievka	1	200 g/porcia
		2	
		3	
A-11	Ovsená kaša	50 g	
		100 g	
		150 g	
A-12	Čerstvá zelenina	200 g	
		300 g	
		400 g	
		500 g	
		600 g	
A-13	MRAZENÁ ZELENINA	200 g	
		300 g	
		400 g	
		500 g	
		600 g	
A-14	Ryža	150 g	
		300 g	
		450 g	
		600 g	
A-15	Pizza	150 g	
		300 g	
		450 g	
A-16	Grilovaná ryba *	200 g	Počas pečenia sa rúra zastaví, aby pripomenula používateľovi, že má jedlo otočiť, potom stlačte tlačidlo START/QUICK START, aby ste pokračovali
		300 g	
		400 g	
		500 g	
		600 g	
A-17	Grilovaná slanina	100 g	
		200 g	
		300 g	

Kód	Jedlo	Hmotnosť/ množstvo	Poznámka
A-18	Párky a salámy	100 g	Počas pečenia sa rúra zastaví, aby pripomenula používateľovi, že má jedlo otočiť, potom stlačte tlačidlo START/QUICK START, aby ste pokračovali
		200 g	
		300 g	
		400 g	
		500 g	
A-19	Autoclean/(výkon by bol plný kvapky vody vo vnútri dutiny)		

Výsledok automatického varenia závisí od takých faktorov, ako je tvar a veľkosť jedla, vaša osobná preferencia, pokiaľ ide o prepečenie určitých jedál, a dokonca aj od toho, ako umiestnite jedlo v rúre. Ak zistíte, že výsledok nie je v žiadnom prípade úplne uspokojivý, jemne podľa toho upravte čas prípravy jedla.

ČISTENIE A ÚDRŽBA

1. Vypnite rúru a pri čistení odpojte napájací kábel zo zásuvky.
2. Udržujte vnútro rúry čisté. Keď sa rozstrekuté alebo rozliate tekutiny prilepia na steny rúry, utrite ich vlhkou handričkou. Ak sa rúra veľmi zašpiní, môžu sa použiť jemné čistiace prostriedky. Nepoužívajte spreje ani iné silné čistiace prostriedky. Môžu zanechať na povrchu dvierok škvrny, šmuhy alebo ho môžu zmatnieť.
3. Vonkajší povrch rúry by sa mal čistiť vlhkou handričkou. Aby sa zabránilo poškodeniu obslužných častí vo vnútri rúry, voda nesmie presiaknuť do vetracích otvorov.
4. Dvierka a okienko na oboch stranách, tesnenia dvierok a príslušné časti často utierajte vlhkou handričkou, aby ste odstránili všetky rozliate alebo rozstrekuté tekutiny. Nepoužívajte abrazívny čistiaci prostriedok.
5. Parný čistič sa nepoužíva.
6. Nedovoľte, aby sa ovládací panel namočil. Vyčistite ho mäkkou, vlhkou handričkou. Pri čistení ovládacieho panela nechajte dvierka rúry otvorené, aby sa zabránilo náhodnému zapnutiu rúry.
7. Ak sa para nahromadí vo vnútri alebo okolo dvierok rúry, utrite ju mäkkou handričkou. Toto môže nastať, ak je mikrovlnná rúra v prevádzke pri vysokej vlhkosti. Je to bežný jav.
8. Občas je potrebné vybrať sklenený tanier a očistiť ho. Umyte tanier v teplej mydlovej vode alebo v umývačke riadu.
9. Valčekový prstenec a dno rúry by sa mali pravidelne čistiť, aby sa zabránilo nadmernému hluku. Jednoducho utrite dno rúry jemným čistiacim prostriedkom. Valčekový prstenec sa môže umývať v jemnej mydlovej vode alebo v umývačke riadu. Pri demontáži valčekového prstenca ho nezabudnite dať naspäť v správnej polohe.

10. Zápach z rúry odstránite kombináciou šálky vody so šťavou a kožou jedného citrónu v miske do mikrovlnnej rúry. Zapnite mikrovlnnú rúru na 5 minút. Dôkladne ju utrite a vysušte mäkkou handričkou.
11. Ak sa vypáli žiarovka, požiadajte zákaznícky servis o jej výmenu.
12. Rúra by sa mala pravidelne čistiť a všetky usadeniny potravín by sa mali odstrániť. Neudržiavanie rúry v čistom stave môže viesť k poškodeniu povrchu, ktoré by mohlo nepriaznivo ovplyvniť životnosť zariadenia a spôsobiť nebezpečenstvo.
13. Tento spotrebič nevyhadzujte do domáceho odpadu. Mal by byť zlikvidovaný v špeciálnom zbernom dvore, ktorý zriadila obec.
14. Pri prvom použití mikrovlnnej rúry s funkciou grilu sa môže vytvoriť mierny dym a zápach. Je to bežný jav, pretože rúra je vyrobená z oceľového plechu potiahnutého mazacím olejom a nová rúra bude produkovať výpary a zápach, ktorý vzniká spaľovaním mazacieho oleja. Tento jav zmizne po určitej dobe používania.



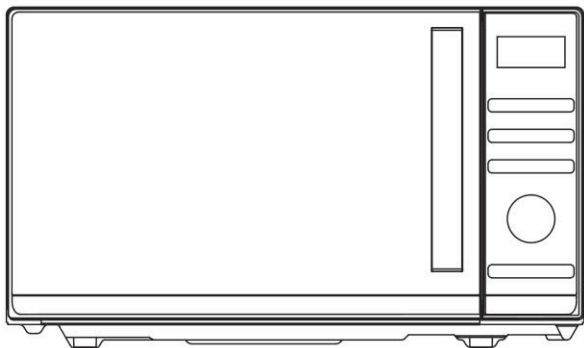
Tento spotrebič je označený v súlade s európskou smernicou 2012/19/EÚ o predpisoch o odpade z elektrických a elektronických zariadení z roku 2013 týkajúcich sa elektrických a elektronických spotrebičov (OEEZ). OEEZ sa zaoberá znečisťujúcimi látkami (ktoré môžu mať negatívny vplyv na životné prostredie) a základnými prvkami (ktoré sa môžu znovu použiť). Je dôležité, aby OEEZ podstúpili osobitné úpravy na správne odstránenie a likvidáciu znečisťujúcich látok a obnovu všetkých materiálov. Jednotlivci môžu

zohrávať dôležitú rolu pri zabezpečovaní toho, aby sa z OEEZ nestal problém životného prostredia; potrebné je dodržiavať niekoľko základných pravidiel:

- s OEEZ sa nesmie nakladať ako s domovým odpadom;
- OEEZ sa musia odvážať do vyhradených zberných oblastí spravovaných mestskou radou alebo registrovanou spoločnosťou.

V mnohých krajinách môžu byť k dispozícii pre veľké OEEZ strediská zberu domového odpadu. Keď si kúpite nový spotrebič, starý spotrebič sa môže vrátiť dodávateľovi, ktorý ho musí prijať bezplatne ako jednorazovú záležitosť, pokiaľ je spotrebič ekvivalentného typu a má rovnaké funkcie ako zakúpený spotrebič.

Інструкції для мікрохвильової печі



Модель: CMGA20TNDB

Будь ласка, уважно прочитайте ці інструкції перед встановленням та експлуатацією мікрохвильової печі.

Haier Europe <small>CANDY</small> <small>Haier</small>	PT 📞 707 200 188 210 010 773	IT 📞 02 400 48 200	ES 📞 902 100 150 943 914 150	DE 📞 0800 500 48 48
BE 📞 LU 📞 02 752 94 10	NL 📞 33 422 4000	AT 📞 0820 220 224	GR 📞 801 11 50 50 50	CH 📞 0848 780 780

70017948

ЗМІСТ

ЗАХОДИ БЕЗПЕКИ ДЛЯ УНИКНЕННЯ МОЖЛИВОГО НАДМІРНОГО ВПЛИВУ МІКРОХВИЛЬОВОЇ ЕНЕРГІЇ	3
ВАЖЛИВІ ІНСТРУКЦІЇ З ТЕХНІКИ БЕЗПЕКИ	3
ПОСІБНИК ІЗ ВСТАНОВЛЕННЯ.....	6
ІНСТРУКЦІЇ ЩОДО ЗАЗЕМЛЕННЯ	7
РАДІОПЕРЕШКОДИ	7
ПЕРШ НІЖ ВИКЛИКАТИ СЛУЖБУ	8
ТЕХНІКИ ПРИГОТУВАННЯ.....	8
ПОСІБНИК З КУХОННОГО ПОСУДУ.....	9
ТЕХНІЧНІ ХАРАКТЕРИСТИКИ	10
ДІАГРАМА ПРОДУКТУ.....	10
ПАНЕЛЬ УПРАВЛІННЯ.....	11
ІНСТРУКЦІЯ З ЕКСПЛУАТАЦІЇ	12
Налаштування часу годинника	12
Експрес-приготування їжі.....	12
Приготування в мікрохвильовій печі	13
Час розморожування	13
Автоматичне розморожування	13
Гриль.....	14
Комбінований режим	14
Функція блокування від дітей	15
Автоматичне приготування	15
ОЧИЩЕННЯ ТА ДОГЛЯД	19

ЗАХОДИ БЕЗПЕКИ ДЛЯ УНИКНЕННЯ МОЖЛИВОГО НАДМІРНОГО ВПЛИВУ МІКРОХВИЛЬОВОЇ ЕНЕРГІЇ

1. Не намагайтеся використовувати цю мікрохвильову піч із відкритими дверцятами, оскільки робота з відкритими дверцятами може призвести до шкідливого впливу мікрохвильової енергії. Важливо не пошкодити й не змінювати запобіжні блокування.
2. Не розміщуйте будь-який предмет між передньою поверхнею печі та дверцятами, а також не допускайте накопичення на поверхнях ущільнення бруду або залишків мийних засобів.
3. Не використовуйте мікрохвильову піч, якщо вона пошкоджена. Дуже важливо, щоб дверцята печі правильно закривалися і щоб не було пошкоджень
 - a) дверцят (зокрема будь-яких згинань),
 - b) петель та защіпок (зламані або ослаблені),
 - c) ущільнень дверцят та поверхонь ущільнення.
4. Жодна особа, окрім кваліфікованого персоналу із сервісного обслуговування, не повинна здійснювати регулювання або ремонт печі.

ВАЖЛИВІ ІНСТРУКЦІ З ТЕХНІКИ БЕЗПЕКИ

Під час використання електроприладу слід дотримуватися основних запобіжних заходів, зокрема наступних:

УВАГА! Для зменшення ризику опіків, ураження електричним струмом, пожежі, травм або впливу надмірної мікрохвильової енергії:

1. Прочитайте всі інструкції перед використанням приладу та збережіть їх для подальшого використання.
2. Використовуйте цей прилад тільки за призначенням, як описано в посібнику. Не використовуйте корозійні хімічні речовини або випари в цьому приладі. Цей тип печі спеціально призначений для нагрівання, приготування або сушіння їжі. Цей прилад не призначений для промислового або лабораторного використання.
3. Не використовуйте мікрохвильову піч, коли вона порожня.
4. Не використовуйте цей прилад, якщо він має пошкоджений шнур або вилку, якщо він не працює правильно, або якщо він був пошкоджений або падав. З метою уникнення небезпеки, заміна пошкодженого шнура живлення повинна

- здійснюватися виробником, фахівцем сервісного центру або іншою кваліфікованою особою.
5. **УВАГА!** Дозволяйте дітям користуватися приладом без нагляду лише після надання відповідних інструкцій, щоб дитина могла безпечно користуватися піччю та розуміти небезпеку неналежного використання.
 6. **УВАГА!** Коли прилад працює в комбінованому режимі, діти повинні використовувати його лише під наглядом дорослих через температури, що виробляються
 7. Щоб зменшити ризик пожежі в порожнині печі:
 - Під час нагрівання харчових продуктів у пластиковій або паперовій тарі часто перевіряйте піч через можливість займання.
 - Перед тим, як помістити паперові або поліетиленові пакети в піч, зніміть із них будь-які зав'язки.
 - Якщо ви помітили дим, вимкніть або від'єднайте прилад від джерела живлення і тримайте дверцята зачиненими, щоб заглушити будь-яке полум'я.
 - Не використовуйте порожнину для зберігання. Не залишайте паперові вироби, посуд для приготування їжі або їжу в порожнині, коли прилад не використовується.
 - Мікрохвильова піч призначена для розігрівання продуктів харчування та напоїв. Сушіння одягу та розігрівання грілок, тапочок, губок, вологої тканини та інших подібних матеріалів може призвести до травми, займання або пожежі.
 8. **УВАГА!** Рідину або інші продукти харчування не слід нагрівати в герметичних контейнерах, оскільки вони можуть вибухнути.
 9. Мікрохвильове нагрівання напою може призвести до закипання і розбризкування із затримкою, тому слід бути обережним під час перенесення контейнера.
 10. Не смажте їжу в печі. Гаряча олія може пошкодити деталі печі та посуд і навіть призвести до опіків шкіри.
 11. Яйця в шкарлупі та цілі зварені круто яйця не слід розігрівати в мікрохвильових печах, оскільки вони можуть вибухнути навіть після закінчення мікрохвильового нагрівання.
 12. Перед приготуванням проколюйте продукти з твердою шкіркою, зокрема картоплю, цілі гарбузи, яблука та каштани.
 13. Вміст пляшок для годування та банок для немовлят слід перемішати або струсити, а перед подачею перевірити температуру, щоб уникнути опіків.
 14. Посуд може стати гарячим через тепло, що передається від нагрітої їжі. Для перенесення посуду можуть знадобитися кухонні рукавички.
 15. Слід перевірити посуд, щоб переконатися, що він придатний для використання в мікрохвильовій печі.
 16. **УВАГА!** Будь-які операції з обслуговування або ремонту, які передбачають зняття покриття, що забезпечує захист від впливу мікрохвильової енергії, мають виконуватися кваліфікованим фахівцем, в іншому разі це може бути небезпечно.
 17. Ця мікрохвильова піч відповідає стандарту EN 55011/CISPR 11, згідно з яким вона належить до класу В групи 2. Обладнання групи 2: група 2 містить усе радіочастотне обладнання з діапазоном частот IS, в якому радіочастотна енергія в діапазоні частот від 9 кГц до 400 ГГц навмисно генерується та

- використовується або використовується лише локально у вигляді електромагнітного випромінювання, індуктивного та/або ємного з'єднання, для обробки матеріалу, для цілей огляду/аналізу або для передачі електромагнітної енергії. Обладнання класу В — це обладнання, придатне для використання в житлових місцях та в установах, безпосередньо підключених до мережі електропостачання низької напруги, яка живить будівлі, що використовуються для побутових цілей.
18. Цей пристрій не призначений для використання особами (в тому числі дітьми) з обмеженими фізичними, сенсорними або розумовими здібностями, а також особами без необхідного досвіду та знань, якщо вони не перебувають під наглядом або не отримали інструкції щодо використання пристрою з боку особи, яка відповідає за їхню безпеку.
 19. Не залишайте дітей без нагляду, а також переконайтеся, що вони не граються з приладом.
 20. Мікрохвильова піч використовується лише в автономному режимі.
 21. **УВАГА!** Не встановлюйте піч над варильною поверхнею або іншим теплогенеруючим приладом. Під час такого встановлення прилад може бути пошкоджений і гарантія не діятиме.
 22. Мікрохвильову піч не слід розміщувати в шафі.
 23. Коли прилад працює, дверцята або зовнішня поверхня можуть нагрітися.
 24. **УВАГА!** Доступні частини можуть нагріватися під час використання. Малих дітей слід тримати осторонь.
 25. Під час використання прилад стає гарячим. Слід бути обережним та не торкатися нагрівальних елементів всередині печі, для приготування вареної їжі та печі.
 26. Температура поверхонь у зоні досяжності, може бути високою, коли прилад працює.
 27. Прилад не повинен використовуватися дітьми або особами з обмеженими фізичними, сенсорними або розумовими здібностями, або з відсутністю досвіду та знань, якщо вони не знаходяться під наглядом або не отримали інструкцій.
 28. **УВАГА!** Якщо дверцята або ущільнення дверцят пошкоджені, піч не можна вмикати, доки вона не буде відремонтована компетентним фахівцем.
 29. Ці прилади не призначені для роботи з використанням зовнішнього таймера або окремої системи дистанційного керування.
 30. Мікрохвильова піч призначена лише для побутового використання, а не для комерційного.
 31. Ніколи не знімайте прокладку для збереження відстані в задній частині або збоку, оскільки вона забезпечує мінімальну відстань від стіни для циркуляції повітря.
 32. Будь ласка, закріпіть поворотний стіл перед переміщенням приладу, щоб уникнути пошкоджень.
 33. **УВАГА!** Ремонт або обслуговування приладу повинен здійснювати тільки фахівець, оскільки це потребує зняття кришки, яка забезпечує захист від мікрохвильового випромінювання. Це стосується також заміни шнура живлення або освітлення. У таких випадках відправте прилад до нашого сервісного центру.

34. Мікрохвильова піч призначена лише для розморожування, приготування та пропарювання їжі.
35. Використовуйте рукавички, якщо ви виймаєте будь-які нагріті продукти харчування.
36. Застереження! Під час відкривання кришки чи розгортання фольги вийде пара.
37. Даний пристрій може використовуватися дітьми віком від 8 років та особами з обмеженими фізичними, сенсорними або розумовими здібностями, а також особами без необхідного досвіду та знань, якщо вони перебувають під наглядом або отримали інструкції щодо безпечного використання пристрою і розуміють можливу небезпеку. Не дозволяйте дітям гратися з пристроєм. Очищення та технічне обслуговування не має здійснюватися дітьми віком до 8 років та без нагляду.
38. У разі виділення диму, вимкніть або від'єднайте прилад від джерела живлення і тримайте дверцята зачиненими, щоб заглушити будь-яке полум'я.

ПОСІБНИК ІЗ ВСТАНОВЛЕННЯ

1. Переконайтеся, що всі пакувальні матеріали видалені зсередини приладу.
2. **УВАГА!** Перевірте піч наявність будь-яких пошкоджень, таких як неправильно вирівняних або зігнутих дверцят, пошкодженого ущільнення дверцят та поверхонь ущільнення, зламаних або ослаблених петель дверцят, защіпок та вм'ятин усередині порожнини або на дверцятах. У разі будь-яких пошкоджень не використовуйте піч та зверніться до кваліфікованого персоналу із сервісного обслуговування.
3. Цю мікрохвильову піч потрібно розмістити на плоскій, стабільній поверхні, щоб утримувати її вагу та найважчу їжу, яка, ймовірно, буде приготована в печі.
4. Не встановлюйте піч там, де утворюється тепло або висока вологість, або поблизу горючих матеріалів.
5. Для правильної роботи піч повинна мати достатній потік повітря. Залиште щонайменше 20 см потрібного вільного простору над верхньою поверхнею печі та 5 см з обох боків. Задня пластина мікрохвильової печі повинна бути розміщена близько до стіни. Не закривайте та не блокуйте будь-які отвори на приладі. Не знімайте ніжки.
6. Не використовуйте піч без скляного лотка, роликової опори та вала в належних положеннях.
7. Переконайтеся, що шнур живлення не пошкоджений і не проходить під приладом або над будь-якою гарячою або гострою поверхнею.
8. Розетка повинна бути легкодоступною, щоб прилад можна було легко від'єднати в надзвичайній ситуації.
9. Не використовуйте піч на вулиці.

ІНСТРУКЦІ ЩОДО ЗАЗЕМЛЕННЯ

Цей прилад повинен бути заземлений. Ця піч обладнана шнуром із заземлюючим дротом та заземлюючою вилкою. Вона повинна бути підключена до настінної розетки, яка правильно встановлена та заземлена. У разі короткого замикання заземлення зменшує ризик ураження електричним струмом, забезпечуючи дріт для відведення електричного струму. Рекомендується забезпечити окремий контур, що обслуговує лише мікрохвильову піч. Використання високої напруги є небезпечним і може призвести до пожежі або іншої аварії, що призведе до пошкодження печі. **УВАГА!** Неправильне використання вилки заземлення може створити ризик ураження електричним струмом. Примітка:

1. Якщо у вас виникають запитання щодо інструкцій із заземлення або електрики, зверніться до кваліфікованого електрика або фахівця із сервісного обслуговування.
 2. Ні виробник, ні дилер не несуть жодної відповідальності за пошкодження печі або травми, спричинені недотриманням процедур електричного підключення.
- Дроти в цій кабельній мережі мають кольорове позначення відповідно до такого коду:

Зелений і жовтий = ЗАЗЕМЛЕННЯ

Синій = НУЛЬ

Коричневий = ФАЗА

РАДІОПЕРЕШКОДИ

Робота мікрохвильової печі може спричинити перешкоди для радіо, телевізора або подібного обладнання. У разі виникнення перешкод вони можуть бути зменшені або усунені шляхом вжиття наступних заходів:

1. Очистіть дверцята та поверхню ущільнення печі.
2. Переорієнтуйте приймальну антену радіо або телебачення.
3. Перемістіть мікрохвильову піч відносно приймача.
4. Перемістіть мікрохвильову піч подалі від приймача.
5. Підключіть мікрохвильову піч до іншої розетки так, щоб вона та приймач були на різних гілках.

ПЕРШ НІЖ ВИКЛИКАТИ СЛУЖБУ

Перш ніж подати запит на обслуговування, перевірте кожен пункт нижче:

- Перевірте, чи піч підключена надійно. Якщо ні, витягніть вилку з розетки, зачекайте 10 секунд та знову надійно підключіть її.
- Перевірте, чи не перегорів запобіжник або чи не вимкнуто головний вимикач. Якщо вони працюють правильно, перевірте розетку за допомогою іншого приладу.
- Перевірте, чи правильно запрограмована панель управління та встановлено таймер.
- Перевірте, щоб дверцята були надійно зачинені, увімкнувши систему блокування дверцят. Якщо дверцята не закриті правильно, мікрохвильова енергія не буде спрямована всередину.

ЯКЩО ЖОДЕН ІЗ НАВЕДЕНИХ ВИЩЕ ПУНКТИВ НЕ ВИПРАВЛЯЄ СИТУАЦІЮ, ЗВЕРНІТЬСЯ ДО КВАЛІФІКОВАНОГО ТЕХНІКА. НЕ НАМАГАЙТЕСЯ НАЛАШТУВАТИ АБО РЕМОНТУВАТИ ПІЧ САМОСТІЙНО.

ТЕХНІКИ ПРИГОТУВАННЯ

1. Акуратно розкладіть їжу. Покладіть найтовщі ділянки із зовнішнього боку посудини.
2. Спостерігайте за часом приготування. Готуйте протягом найкоротшого зазначеного часу і додайте більше за потреби. Сильно перетримана їжа може диміти або зайнятися.
3. Накрийте продукти під час приготування. Кришка запобігає розбризкуванню і допомагає продуктам готуватися рівномірно.
4. Переверніть їжу один раз під час приготування в мікрохвильовій печі, щоб пришвидшити приготування таких продуктів, як курка та гамбургери. Великі страви, такі як печеня, слід перевернути хоча б один раз.
5. Змініть розташування їжі, наприклад, фрикадельок, щойно міне половина часу приготування, як зверху донизу, так і з центру страви назовні.

ПОСІБНИК З КУХОННОГО ПОСУДУ

1. Мікрохвильове випромінювання не може проникати крізь метал. Використовуйте тільки посуд, який підходить для використання в мікрохвильових печах. Не дозволяється використовувати металеві контейнери для їжі та напоїв під час приготування в мікрохвильовій печі. Ця вимога не стосується випадків, коли виробник зазначає розмір і форму металевих контейнерів, які підходять для використання в мікрохвильовій печі.
2. Мікрохвильове випромінювання не може проникати крізь метал, тому не слід використовувати металевий посуд або посуд із металевим обрамленням.
3. Не використовуйте перероблені паперові вироби під час приготування в мікрохвильовій печі, оскільки вони можуть містити дрібні металеві фрагменти, які можуть спричинити іскри та/або пожежу.
4. Рекомендується використовувати круглий/овальний посуд, а не квадратний/прямокутний, оскільки їжа в кутах зазвичай перегрівається.
5. Можна використовувати вузькі смужки алюмінієвої фольги для запобігання перегріванню відкритих ділянок. Але будьте обережні, не використовуйте занадто багато фольги й зберігайте відстань 2,54 см між фольгою та порожниною.

Нижченаведений список є загальними рекомендаціями, які допоможуть вам вибрати правильний посуд.

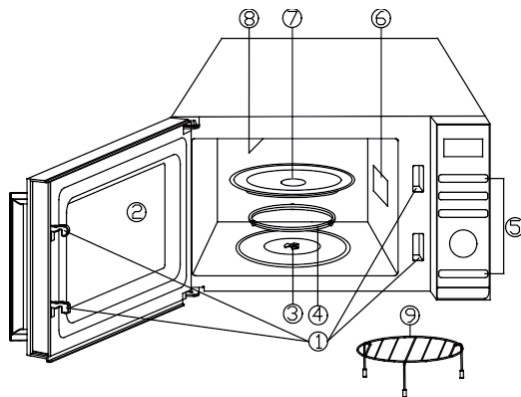
ПОСУД	МІКРОХВИЛЬОВА ПІЧ	ГРИЛЬ	КОМБІНОВАНИЙ РЕЖИМ
Термостійке скло	Так	Так	Так
Не термостійке скло	Ні	Ні	Ні
Термостійка кераміка	Так	Так	Так
Пластиковий посуд, безпечний для мікрохвильового випромінювання	Так	Ні	Ні
Кухонний папір	Так	Ні	Ні
Металевий лоток	Ні	Так	Ні
Металева стійка	Ні	Так	Ні
Алюмінієва фольга та контейнери з фольги	Ні	Так	Ні

ТЕХНІЧНІ ХАРАКТЕРИСТИКИ

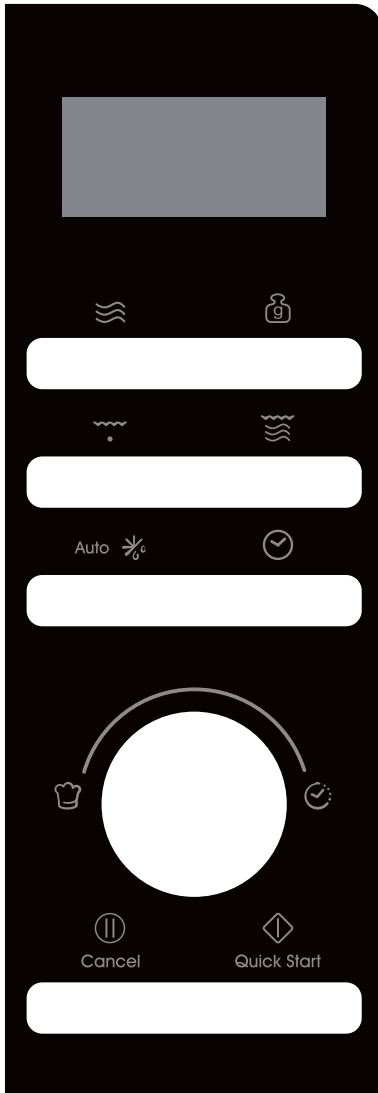
Споживана потужність:	230-240 В/50 Гц, 1200 Вт(мікрохвильова)
	900 Вт (гриль)
Номінальна вихідна потужність мікрохвильової печі:	700 Вт
Робоча частота:	2450 МГц
Зовнішні розміри:	262 мм(В)×452 мм(Ш)×357 мм(Г)
Розміри порожнини печі:	198 мм (В) × 315 мм (Ш) × 297 мм (Г)
Об'єм печі:	20 літрів
Вага нетто:	Приблизно 11,3 кг

ДІАГРАМА ПРОДУКТУ

1. Система блокування дверцят
2. Віконце печі
3. Вал
4. Роликове кільце
5. Панель управління
6. Посібник по хвилях (Будь ласка, не знімайте слюдяну пластину, що закриває хвилевод)
7. Скланий лоток
8. Нагрівач гриля
9. Металева стійка



ПАНЕЛЬ УПРАВЛІННЯ



- **MENU ACTION SCREEN (ЕКРАН МЕНЮ)**


Відображаються час приготування, потужність, індикатори дії.

- **ПОТУЖНІСТЬ** 

Натисніть, щоб встановити рівень потужності мікрохвильового приготування.

- **РЕГУЛЮВАННЯ ВАГИ** 

Натисніть, щоб встановити вагу їжі або порції.

- **GRILL (ГРИЛЬ)** 

Натисніть, щоб встановити програму приготування на грилі.

- **КОМБІНАЦІЯ** 

Натисніть, щоб налаштувати програму приготування комбінації.

- **АВТОМАТИЧНЕ РОЗМОРОЖУВАННЯ** 

Натисніть один раз, щоб розморозити їжу залежно від часу. Натисніть двічі, щоб розморозити їжу в залежності від ваги.

- **ГОДИННИК** 

Натисніть, щоб встановити час годинника.

- **МЕНЮ/ЧАС**   (набір)

Поверніть регулятор, щоб встановити час.

Поверніть регулятор, щоб вибрати меню автоматичного приготування.

- **ПРИЗУПИНИТИ/СКАСУВАТИ** 


Натисніть один раз, щоб тимчасово припинити приготування, або двічі, щоб повністю скасувати приготування.

- **ПОЧАТОК/ШВИДКИЙ ПОЧАТОК** 

 Quick Start

Натисніть, щоб розпочати програми приготування та розморожування. Просто натисніть її кілька разів, щоб встановити час приготування, і негайно готуйте на повній потужності.

ІНСТРУКЦІЯ З ЕКСПЛУАТАЦІЇ

- Коли духовка вперше підключена, пролунає звуковий сигнал, а на дисплеї з'явиться повідомлення "1:01" та .
- Якщо в процесі налаштування відбудеться перерва на приблизно 25 секунд, піч повернеться в режим очікування.
- Під час приготування, якщо натиснути кнопку PAUSE/CANCEL один раз, програму буде призупинено, а потім натисніть кнопку START/QUICK START, щоб відновити. Але якщо натиснути кнопку PAUSE/CANCEL двічі, програму буде скасовано.
- Після закінчення приготування на дисплеї з'явиться повідомлення End (Кінець) і звуковий сигнал лунатиме кожні дві хвилини, поки користувач не натисне кнопку PAUSE/CANCEL (ПАУЗА/СКАСУВАТИ) або не відкриє дверцята.
- У процесі роботи натисніть дійсну кнопку, один раз лунатиме звуковий сигнал, але якщо натиснути недійсну кнопку, двічі лунатиме звуковий сигнал.
- Система електронного керування мікрохвильової печі має функцію охолодження. Що стосується будь-якого режиму приготування, час приготування якого перевищує 2 хвилини, після закінчення приготування, відкрийте дверцята духовки або програму приготування призупинено, вентилятор духовки буде працювати близько 3 хвилин автоматично, щоб охолодити духовку для подовження терміну служби духовки.
- Увага! - Охолоджуючий вентилятор автоматично працюватиме приблизно 3 хвилини, якщо готувати час перевищує 2 хвилини.

НАЛАШТУВАННЯ ЧАСУ ГОДИННИКА

Це 12- і 24-годинний годинник, ви можете встановити час годинника в 12- або 24-годинний цикл, натиснувши кнопку ГОДИННИКА в режимі очікування.

1. У режимі очікування натисніть кнопку ГОДИННИКА кілька разів, щоб вибрати 12-годинний або 24-годинний годинник.
2. Поверніть МЕНЮ/шкалу ЧАСУ, щоб встановити цифру години.
3. Натисніть кнопку ГОДИННИКА один раз.
4. Поверніть МЕНЮ/шкалу ЧАСУ, щоб встановити хвилинну цифру.
5. Натисніть кнопку ГОДИННИКА один раз, щоб підтвердити.

ПРИМІТКА: Під час приготування можна перевірити поточний час годинника, натиснувши кнопку ГОДИННИКА.

ЕКСПРЕС-ПРИГОТУВАННЯ ЇЖІ

Використовуйте цю функцію, щоб зручно запрограмувати духовку на мікрохвильову їжу на 100% потужності. У режимі очікування, просто натисніть кнопку ПУСК/ШВИДКИЙ СТАРТ кілька разів, щоб встановити час приготування (кожне натискання збільшує на 30 секунд і до 10 хвилин), духовка почне працювати автоматично на повній потужності.

ПРИГОТУВАННЯ В МІКРОХВИЛЬОВІЙ ПЕЧІ

1. У режимі очікування натисніть кнопку ЖИВЛЕННЯ кілька разів, щоб вибрати рівень потужності.
2. Поверніть ручку МЕНЮ/ЧАСУ за годинниковою стрілкою, щоб встановити час приготування. Найдовший час — 95 хвилин.
3. Натисніть кнопку ЗАПУСК/ШВИДКИЙ ЗАПУСК для підтвердження.

Натисніть кнопку ЖИВЛЕННЯ, щоб вибрати рівень потужності:

Натисніть кнопку ЖИВЛЕННЯ	Потужність (дисплей)	Натисніть кнопку ЖИВЛЕННЯ	Потужність (дисплей)
Один раз	100% (100)	7 разів	40% (40)
Двічі	90% (90)	8 разів	30% (30)
Тричі	80% (80)	9 разів	20% (20)
4 разів	70% (70)	10 разів	10% (10)
5 разів	60% (60)	11 разів	00% (00)
6 рази	50% (50)		

ПРИМІТКА: Під час приготування можна перевірити рівень потужності приготування, натиснувши кнопку POWER.

ЧАС РОЗМОРОЖУВАННЯ

1. У режимі очікування натисніть кнопку АВТОМАТИЧНОГО РОЗМОРОЖУВАННЯ один раз.
2. Поверніть МЕНЮ/регулятор ЧАСУ, щоб встановити час розморожування. Найдовший час — 95 хвилин.
3. Натисніть кнопку ЗАПУСК/ШВИДКИЙ ЗАПУСК для підтвердження.

ПРИМІТКА: Під час програми розморожування система призупиниться та пролунає звуковий сигнал, щоб нагадати користувачеві перевернути їжу, після цього натисніть кнопку ЗАПУСК/ШВИДКИЙ ЗАПУСК, щоб продовжити.

АВТОМАТИЧНЕ РОЗМОРОЖУВАННЯ

Час розморожування та рівень потужності автоматично встановлюються після програмування ваги їжі. Маса замороженої їжі коливається від 100 г до 1800 г.

1. У режимі очікування двічі натисніть кнопку АВТОМАТИЧНОГО РОЗМОРОЖУВАННЯ.
2. Натисніть кнопку РЕГУЛЮВАННЯ ВАГИ кілька разів, щоб вибрати вагу їжі.
3. Натисніть кнопку ЗАПУСК/ШВИДКИЙ ЗАПУСК для підтвердження.

ПРИМІТКА: Під час розморожування система призупинить роботу та подасть звуковий сигнал, щоб нагадати користувачеві про необхідність перевернути їжу, після чого натисніть кнопку START/QUICK START (ПУСК/ШВИДКИЙ ПОЧАТОК), щоб відновити роботу.

Гриль

Приготування на грилі особливо корисно для тонких шматочків м'яса, стейків, котлет, шашликів, ковбасок та шматочків курки. Він також підходить для гарячих бутербродів та панірованих страв.

1. У режимі очікування натисніть кнопку GRILL один раз.
2. Поверніть МЕНЮ/регулятор ЧАСУ, щоб встановити час приготування. Найдовший час — 95 хвилин.
3. Натисніть кнопку ЗАПУСК/ШВИДКИЙ ЗАПУСК для підтвердження.

КОМБІНОВАНИЙ РЕЖИМ

Гриль працює більше часу, ніж мікрохвильова піч у комбінованому режимі 1, використовується для риби і панірованих страв. Але мікрохвильова піч працює більше часу, ніж гриль в комбінованому режимі 2, використовується для пудингу, омлетів, запеченої картоплі та домашньої птиці.

1. У режимі очікування натисніть кнопку КОМБІНАЦІЇ один або два рази, щоб вибрати "Co-1" або "Co-2".
2. Поверніть МЕНЮ/регулятор ЧАСУ, щоб встановити час приготування. Найдовший час — 95 хвилин.
3. Натисніть кнопку ЗАПУСК/ШВИДКИЙ ЗАПУСК для підтвердження.

АВТОМАТИЧНЕ ОЧИЩЕННЯ

Поставте миску з 300 г води в духовку і зачиніть дверцята.

4. У режимі очікування один раз поверніть ручку MENU/TIME проти годинникової стрілки, а потім поверніть ручку до тих пір, поки на дисплеї не з'явиться повідомлення "A-19" та "AUTO".
5. Натисніть кнопку РЕГУЛЮВАННЯ ВАГИ один раз.
6. Натисніть кнопку START/QUICK START (ПУСК/ШВИДКИЙ СТАРТ), щоб почати.

ПРИМІТКА: Час прибирання становить 10 хвилин

ФУНКЦІЯ БЛОКУВАННЯ ВІД ДІТЕЙ

Використовуйте для запобігання неконтрольованій роботі духовки дітьми.

Щоб увійти до блокування захисту від дітей, виконайте наведені нижче дії У режимі очікування, якщо протягом однієї хвилини не буде виконано жодної операції, духовка автоматично перейде в режим блокування дитини, а індикатор блокування ввімкнеться. У режимі блокування всі кнопки не активні.

Щоб скасувати: У режимі дитячого замка відкрийте або закрийте дверцята духовки, щоб скасувати програму, а індикатор блокування вимкнеться.

АВТОМАТИЧНЕ ПРИГОТУВАННЯ

Для наступного режиму приготування їжі або приготування їжі не обов'язково запрограмувати час приготування та потужність приготування. Достатньо вказати тип їжі, яку ви хочете приготувати, а також її вагу або порції.

1. У режимі очікування поверніть ручку MENU/TIME проти годинникової стрілки, щоб вибрати код їжі.
2. Натисніть кнопку РЕГУЛЮВАННЯ ВАГИ кілька разів, щоб вибрати вагу їжі або порції.
3. Натисніть кнопку ЗАПУСК/ШВИДКИЙ ЗАПУСК для підтвердження.

Меню автоматичного приготування:

Код	Їжа	Вага/Кількість	Примітка
A-01	Молоко/кава/чай (200 мл/чашка)	1 чашка	На дисплеї відобразатиметься кількість порцій замість ваги їжі
		2 чашки	
		3 чашки	
A-02	Спагеті	100 г	
		200 г	
		300 г	
A-03	Картопля	100 г	
		200 г	
		300 г	
A-04	Автоматичний підігрів	200 г	
		300 г	
		400 г	
		500 г	
		600 г	
		700 г	
		800 г	
A-05	Риба	200 г	
		300 г	

Код	Їжа	Вага/Кількість	Примітка
		400 г	
		500 г	
		600 г	
A-06	Попкорн	100 г	
A-07	Курка	800 г	Під час приготування духовка зупиниться, щоб нагадати користувачеві перевернути їжу, після чого натисніть кнопку ПУСК/ШВИДКИЙ СТАРТ, щоб відновити
		1000 г	
		1200 г	
		1400 г	
A-08	Яловичина/баранина	200 г	
		300 г	
		400 г	
		500 г	
		600 г	
A-09	Шампурне м'ясо	100 г	Під час приготування духовка зупиниться, щоб нагадати користувачеві перевернути їжу, після чого натисніть кнопку ПУСК/ШВИДКИЙ СТАРТ, щоб відновити
		200 г	
		300 г	
		400 г	
		500 г	
A-10	Суп	1	200 г/порція
		2	
		3	
A-11	Каша	50 г	
		100 г	
		150г	
A-12	Свіжий овоч	200 г	
		300 г	

Код	Їжа	Вага/Кількість	Примітка
		400 г	
		500 г	
		600 г	
A-13	Заморожені овочі	200 г	
		300 г	
		400 г	
		500 г	
		600 г	
A-14	Рис	150гр	
		300 г	
		450 г	
		600 г	
A-15	Піца	150гр	
		300 г	
		450 г	
A-16	Риба на грилі *	200 г	Під час приготування духовка зупиниться, щоб нагадати користувачеві перевернути їжу, після чого натисніть кнопку ПУСК/ШВИДКИЙ СТАРТ, щоб відновити
		300 г	
		400 г	
		500 г	
		600 г	
A-17	Бекон на грилі	100 г	
		200 г	
		300 г	
A-18	сосиски	100 г	
		200 г	
		300 г	
		400 г	

Код	Їжа	Вага/Кількість	Примітка
		500 г	Під час приготування духовка зупиниться, щоб нагадати користувачеві перевернути їжу, після чого натисніть кнопку ПУСК/ШВИДКИЙ СТАРТ, щоб відновити
A-19	Авточистка/(продуктивність буде краплею води, повною внутрішньої порожнини)		

Результат автоматичного приготування залежить від таких факторів, як форма та розмір їжі, ваші особисті уподобання щодо готовності певних продуктів і навіть того, наскільки добре ви помістили їжу в піч. Якщо ви вважаєте результат у будь-якому разі не зовсім задовільним, трохи відрегулюйте час приготування.

ОЧИЩЕННЯ ТА ДОГЛЯД

1. Під час очищення вимкніть піч та від'єднайте кабель живлення від розетки.
2. Тримайте внутрішню частину печі чистою. Коли бризки від їжі або розлиту рідини прилипають до стінок печі, протріть їх вологою тканиною. Якщо піч сильно забруднена, можна використовувати м'які мийні засоби. Уникайте використання розпилювача або інших жорстких очищувачів. Вони можуть залишати плями та смуги на дверцятах або приглушити колір їх поверхні.
3. Зовнішню частину печі слід очищувати вологою тканиною. Щоб запобігти пошкодженню робочих частин всередині печі, не допускайте потрапляння води в вентиляційні отвори.
4. Часто протирайте дверцята та вікно з обох боків, а також ущільнення дверцят та прилеглі частини вологою тканиною, щоб усунути будь-які розливи або бризки. Не використовуйте абразивні очищувачі.
5. Не слід використовувати пароочисник.
6. Запобігайте потраплянню вологи на панель управління. Очищення здійснюйте м'якою вологою тканиною. Під час очищення панелі управління залиште дверцята печі відкритими, щоб запобігти випадковому її ввімкненню.
7. Якщо пара накопичується всередині або навколо зовнішніх дверцят печі, протріть їх м'якою тканиною. Це може виникнути, коли мікрохвильова піч працює в умовах високої вологості. І це нормально.
8. Іноді потрібно виймати скляний піддон для очищення. Мийте піддон у теплій мильній воді або в посудомийній машині.
9. Роликове кільце та основу печі слід регулярно очищати, щоб уникнути надмірного шуму. Просто протріть нижню поверхню печі м'яким мийним засобом. Роликове кільце можна промити в м'якій мильній воді або в посудомийній машині. Після виймання роликів, обов'язково встановіть його назад у правильне положення.
10. Усуньте запахи з печі, наливши чашку води та додавши сік та шкірку лимону в посуд, придатний приготування в мікрохвильовій печі. Увімкніть мікрохвильову піч на 5 хвилин. Ретельно протріть та висушіть м'якою тканиною.
11. Якщо лампочка згорить, зверніться в службу підтримки клієнтів, щоб замінити її.
12. Піч слід регулярно очищати, а будь-які залишки харчових продуктів слід видаляти. Непідтримання чистого стану печі може призвести до погіршення стану поверхні, що може негативно вплинути на термін служби приладу і, можливо, призвести до небезпечної ситуації.
13. Будь ласка, не викидайте цей прилад у контейнер для побутового сміття; його слід утилізувати в спеціалізованому центрі утилізації, створеному міською владою.
14. Коли мікрохвильова піч із функцією гриля використовується вперше, вона може спричинити появу невеликої кількості диму й легкого запаху. Це звичне явище, оскільки піч виготовлена зі сталевих пластин, покритих змазкою, а нова піч вироблятиме випари й запах, що утворюються під час спалювання цієї змазки. Це явище зникне через певний час використання.



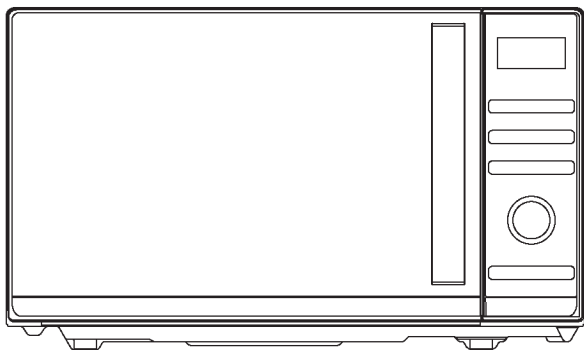
Цей прилад маркується відповідно до Європейської Директиви 2012/19/ЄС щодо Регламенту відходів електричного та електронного обладнання 2013 року щодо електричних та електронних приладів (WEEE). ВЕЕО містять як забруднюючі речовини (які можуть негативно впливати на навколишнє середовище), так і базові елементи (які можуть бути використані повторно). Важливо, щоб ВЕЕО проходили спеціальну обробку для належного усунення та переробки забруднюючих речовин, а також для відновлення всіх матеріалів. Фізичні особи можуть

відігравати важливу роль у забезпеченні того, щоб ВЕЕО не стали проблемою для навколишнього середовища; необхідно дотримуватися певних основних правил:

- ВЕЕО не слід поміщати разом з побутовими відходами.
- ВЕЕО слід доправити в спеціалізовані пункти збору, які управляються міською владою або зареєстрованою компанією.

У багатьох країнах для великих ВЕЕО здійснюється забір із дому. Коли ви купуєте новий прилад, старий може бути повернений у точку роздрібної торгівлі, яка повинна безкоштовно забрати його за принципом один до одного, за умови якщо це аналогічне обладнання, яке має ті ж функції, що й новий прилад.

Bedienungsanleitung Mikrowellenofen



Modell: CMGA20TNDB

Lesen Sie die vorliegende Bedienungsanleitung sorgfältig durch,
bevor Sie den Ofen installieren und in Betrieb nehmen.

Haier Europe <small>CANDY</small> <small>Haier</small>	PT ☎ 707 200 188 210 010 773	IT ☎ 02 400 48 200	ES ☎ 902 100 150 943 914 150	DE ☎ 0800 500 48 48
BE ☎ 02 752 94 10	NL ☎ 33 422 4000	AT ☎ 0820 220 224	GR ☎ 801 11 50 50 50	CH ☎ 0848 780 780

70017948

VORWORT

VORWORT	1
VORSICHTSMASSNAHMEN, UM EINE ZU HOHE MIKROWELLENBELASTUNG ZU VERHINDERN	2
WICHTIGER SICHERHEITSHINWEIS	2
INSTALLATIONSANLEITUNG	5
ANLEITUNGEN ZUM ERDEN	6
FUNKINTERFERENZ	6
BEVOR SIE DEN KUNDENSERVICE RUFEN	7
GARTECHNIKEN	7
LEITFADEN FÜR KOCHGERÄTE	8
SPEZIFIKATIONEN	9
PRODUKTDIAGRAMM	9
BEDIENFELD	10
BEDIENUNGSANLEITUNG	11
UHRZEIT EINSTELLEN	11
EXPRESS-GAREN	11
GAREN MIT DER MIKROWELLE	12
ZEIT AUFTAUEN	12
AUTOMATISCHES AUFTAUEN	12
GRILL	13
KOMBINATION	13
SELBSTREINIGUNG	13
KINDERSICHERUNG	13
AUTOMATISCHES GAREN	14
REINIGEN UND PFLEGEN	17

VORSICHTSMASSNAHMEN, UM EINE ZU HOHE MIKROWELLENBELASTUNG ZU VERHINDERN

1. Versuchen Sie nicht, den Ofen mit offener Tür zu betreiben, weil ein Betrieb bei offener Tür zu schädlicher Belastung durch Mikrowellen führen kann. Manipulieren Sie keinesfalls die Sicherheitsverriegelungen oder entfernen Sie sie.
2. Stellen Sie keinen Gegenstand zwischen die Vorderseite des Ofens und die Tür und verhindern Sie, dass sich Schmutz oder Reinigungsmittelreste auf den Dichtungsflächen ansammeln.
3. Betreiben Sie den Ofen nicht, wenn er beschädigt ist. Die Ofentür muss unbedingt richtig geschlossen sein und die folgenden Teile dürfen keine Beschädigungen aufweisen:
 - a) Tür (einschließlich eventueller Biegungen),
 - b) Scharniere und Schnappriegel (zerbrochen oder gelockert),
 - c) Türdichtungen und Dichtungsflächen.
4. Der Ofen sollte ausschließlich von ordnungsgemäß qualifiziertem Kundendienstpersonal in Ordnung gebracht und repariert werden.

WICHTIGER SICHERHEITSHINWEIS

Bei der Verwendung elektrischer Geräte sind grundlegende Sicherheitsvorkehrungen zu beachten, unter anderem die folgenden:

WARNUNG!--Beachten Sie die folgenden Hinweise, um das Risiko für Verbrennungen, Stromschläge, Brand, Verletzungen oder eine übermäßige Mikrowellenbelastung von Personen zu reduzieren:

1. Lesen Sie alle Anweisungen, bevor Sie das Gerät verwenden, und bewahren Sie sie zum späteren Nachschlagen auf.
2. Verwenden Sie das Gerät nur für seinen Bestimmungszweck, der in der Bedienungsanleitung beschrieben ist. Verwenden Sie keine korrosiven Chemikalien oder Dämpfe in diesem Gerät. Diese Ofenart ist speziell zum Aufwärmen, Kochen oder Trocknen von Lebensmitteln konzipiert. Der Ofen ist nicht für die industrielle Nutzung oder die Nutzung im Labor bestimmt.
3. Betreiben Sie den Ofen nicht, wenn er leer ist.
4. Betreiben Sie dieses Gerät nicht, wenn das Stromkabel oder der Stecker des Stromkabels beschädigt sind, wenn das Gerät nicht ordnungsgemäß funktioniert oder wenn es beschädigt oder fallen gelassen wurde. Wenn das Stromkabel beschädigt ist, muss es vom Hersteller oder von seinem Service-Mitarbeiter, oder einer gleichwertig qualifizierten Person ausgetauscht werden, um jegliches Risiko zu vermeiden.

5. **WARNUNG!**--Erlauben Sie Kindern die Verwendung des Ofens ohne Aufsicht nur, wenn Sie angemessene Anweisungen gegeben haben und sichergestellt ist, dass das Kind den Ofen auf sichere Weise nutzen kann und die Gefahren einer nicht sachgemäßen Verwendung verstanden hat.
6. **WARNUNG!**--Kinder sollten den Ofen wegen der generierten Temperaturen ausschließlich unter Aufsicht von Erwachsenen verwenden, wenn das Gerät im Kombinationsmodus betrieben wird.
7. Beachten Sie die folgenden Hinweise, um das Risiko für einen Brand im Garraum zu reduzieren:
 - Behalten Sie den Ofen wegen der Entzündungsgefahr im Auge, wenn Sie Lebensmittel in Kunststoff- oder Papierbehältern aufwärmen.
 - Entfernen Sie Drahtbindeverschlüsse von Papier- oder Kunststoffbehältern, bevor Sie einen Behälter in den Ofen stellen.
 - Wenn Sie Rauch feststellen, schalten Sie das Gerät aus oder ziehen Sie den Netzstecker und lassen Sie die Ofentür geschlossen, um Flammen zu ersticken.
 - Verwenden Sie den Garraum nicht zu Aufbewahrungszwecken. Lassen Sie keine Papierprodukte, Kochgerätschaften oder Lebensmittel im Garraum, wenn der Ofen nicht in Betrieb ist.
 - Der Mikrowellenherd ist für die Erwärmung von Speisen und Getränken vorgesehen. Das Trocknen von Kleidung sowie das Erwärmen von Wärmekissen, Hausschuhen, Schwämmen, feuchten Tüchern und Ähnlichem kann zu Verletzungs-, Entzündungs- oder Brandgefahr führen.
8. **WARNUNG!**--Flüssigkeiten oder andere Lebensmittel dürfen nicht in luftdicht verschlossenen Behältern erhitzt werden, weil sie explodieren können.
9. Die Erwärmung von Getränken durch Mikrowellen kann zu verzögertem eruptivem Kochen führen, daher ist der Behälter mit Sorgfalt zu behandeln.
10. Frittieren Sie keine Lebensmittel im Ofen. Heißes Öl kann Ofenteile und Kochutensilien beschädigen und sogar Hautverbrennungen herbeiführen.
11. Eier in ihrer Schale und hartgekochte Eier sollten nicht in Mikrowellenöfen erhitzt werden, weil sie auch dann noch explodieren können, wenn die Mikrowellenerhitzung beendet wurde.
12. Stechen Sie Lebensmittel mit festen Schalen, wie Kartoffeln, ganze Kürbisse, Äpfel und Kastanien vor dem Kochen ein.
13. Der Inhalt von Säuglingsfläschchen und Babygläschen sollte gerührt oder geschüttelt werden und die Temperatur sollte vor dem Servieren kontrolliert werden, um Verbrennungen zu vermeiden.
14. Kochgeräte können durch die Hitze, die von den erwärmten Lebensmitteln übertragen wird, heiß werden. Unter Umständen sind für den Umgang mit dem Kochgerät Topflappen erforderlich.
15. Vergewissern Sie sich bei Kochgeräten, ob diese sich auch für die Verwendung im Mikrowellenofen eignen.
16. **WARNUNG!**--Für jede nicht geschulte Person ist es gefährlich, Kundendienst- oder Reparaturarbeiten durchzuführen, bei denen Abdeckungen entfernt werden müssen, die vor der Mikrowellenbelastung schützen.

17. Diese Mikrowelle entspricht der Norm EN 55011/CISPR 11, in dieser Norm ist sie der Klasse B Gruppe 2 zugeordnet. Geräte der Gruppe 2: Die Gruppe 2 enthält alle ISM RF-Geräte, in denen Funkfrequenzenergie im Frequenzbereich von 9 kHz bis 400 GHz in Form von elektromagnetischer Strahlung, induktiver und/oder kapazitiver Kopplung absichtlich erzeugt und genutzt oder nur lokal eingesetzt wird, zur Behandlung von Material, zu Prüf-/Analysezwecken oder zur Übertragung von elektromagnetischer Energie. Geräte der Klasse B eignen sich für die Nutzung in Wohnbereichen und in Einrichtungen, die direkt an ein Niederspannungsversorgungsnetz angeschlossen sind, das Wohngebäude versorgt.
18. Das Gerät ist nicht zur Nutzung durch Personen (einschließlich Kindern) mit eingeschränkten körperlichen, sensorischen oder geistigen Fähigkeiten oder mangelnder Erfahrung und mangelndem Wissen bestimmt, sofern diese nicht in die Bedienung des Geräts durch eine Person eingewiesen wurden, die für ihre Sicherheit verantwortlich ist oder von einer solchen Person beaufsichtigt werden.
19. Kinder sollten beaufsichtigt werden, um sicherzustellen, dass sie nicht mit dem Gerät spielen.
20. Der Mikrowellenofen darf nur als freistehendes Gerät verwendet werden.
21. **WARNUNG!**--Installieren Sie den Ofen nicht über einem Kochbereich oder über anderen Hitze erzeugenden Geräten. In einem solchen Fall könnte der Ofen beschädigt werden und die Garantie würde erlöschen.
22. Der Mikrowellenofen darf nicht in einem Schrank aufgestellt werden.
23. Die Tür oder die Außenfläche kann bei Betrieb des Geräts heiß werden.
24. **WARNUNG!**--Zugängliche Teile können während des Betriebs heiß werden. Kleine Kinder nicht in die Nähe des Geräts gelangen lassen.
25. Während der Verwendung wird das Gerät heiß. Die Heizelemente im Ofen, für Kochfelder und Backöfen nicht berühren.
26. Die Temperatur der zugänglichen Flächen kann bei Betrieb des Geräts hoch sein.
27. Das Gerät ist nicht durch Kinder oder Personen mit eingeschränkten körperlichen, sensorischen oder geistigen Fähigkeiten oder mangelnder Erfahrung und mangelndem Wissen zu verwenden, sofern diese nicht in die Bedienung des Geräts eingewiesen wurden oder beaufsichtigt werden.
28. **WARNUNG!**--Falls die Tür oder die Türdichtungen beschädigt sein sollte, darf der Ofen erst wieder in Betrieb genommen werden, nachdem er durch eine qualifizierte Person repariert wurde.
29. Das Gerät ist nicht dazu bestimmt, über einen externen Timer oder eine gesonderte Fernsteuerung betrieben zu werden.
30. Der Mikrowellenofen ist lediglich zur Nutzung in Haushalten und nicht für die gewerbliche Nutzung bestimmt.
31. Entfernen Sie keinesfalls die Abstandhalter von der Rückseite oder von den Seiten, da diese für einen Mindestabstand von den Wänden zur Gewährleistung der Luftzirkulation sorgen.
32. Sichern Sie zuerst den Drehteller, bevor Sie das Gerät transportieren, dadurch vermeiden Sie Schäden.
33. **VORSICHT!**--Es ist gefährlich, das Gerät von einer nicht qualifizierten Person reparieren oder warten zu lassen, weil dabei die Schutzabdeckung abgenommen werden muss, die Schutz vor Mikrowellenstrahlung bietet. Das Gleiche gilt auch für den Austausch des

Netzkabels oder der Beleuchtung. Senden Sie das Gerät in diesen Fällen an unser Kundendienstzentrum.

34. Der Mikrowellenofen ist lediglich zum Auftauen, Kochen und Dämpfen von Lebensmitteln bestimmt.
35. Verwenden Sie Handschuhe, wenn Sie erhitzte Lebensmittel aus dem Ofen nehmen.
36. Vorsicht! Beim Öffnen von Behälterdeckeln oder Verpackungsfolie wird Dampf entweichen.
37. Dieses Gerät kann von Kindern ab 8 Jahren und Personen mit eingeschränkten körperlichen, sensorischen oder geistigen Fähigkeiten oder mangelnder Erfahrung und mangelndem Wissen benutzt werden, wenn diese in die sichere Bedienung des Geräts eingewiesen wurden oder beaufsichtigt werden und die damit verbundenen Gefahren verstanden haben. Kinder dürfen nicht mit dem Gerät spielen. Die Reinigung und die Wartung des Geräts darf von über 8 Jahre alten Kindern nur unter Aufsicht durchgeführt werden.
38. Wenn Sie Rauch feststellen, schalten Sie das Gerät aus oder ziehen Sie den Netzstecker und lassen Sie die Ofentür geschlossen, um Flammen zu ersticken.

INSTALLATIONSANLEITUNG

1. Sorgen Sie dafür, die Verpackungsmaterialien von der Innenseite der Tür zu entfernen.
2. **WARNUNG!**–Untersuchen Sie den Ofen auf etwaige Schäden, wie zum Beispiel eine falsch ausgerichtete oder verbogene Tür, beschädigte Türdichtungen oder Dichtungsflächen, zerbrochene oder lockere Türscharniere oder Einbeulungen und Einkerbungen im Garraum oder auf der Tür. Wenn Sie eine Beschädigung feststellen, betreiben Sie den Ofen nicht, sondern wenden Sie sich an qualifiziertes Kundendienstpersonal.
3. Dieser Mikrowellenofen muss auf eine flache, stabile Oberfläche gestellt werden, die in der Lage ist, das Gewicht des Ofens samt den schwersten Nahrungsmitteln zu tragen, die im Ofen wahrscheinlich zubereitet werden.
4. Stellen Sie den Ofen nicht auf, wo Hitze, Feuchtigkeit oder Nässe erzeugt werden und nicht in der Nähe von brennbaren Materialien.
5. Um einen ordnungsgemäßen Betrieb zu gewährleisten, muss der Ofen über einen ausreichenden Luftstrom verfügen. Es ist ein Freiraum von mindestens 20 cm über der Oberseite des Ofens und von 5 cm an beiden Seiten erforderlich. Die Rückwand des Mikrowellenofens muss nahe an der Wand platziert werden. Achten Sie darauf, keine Öffnungen des Geräts abzudecken oder zu blockieren. Entfernen Sie keine Standfüße.
6. Betreiben Sie den Ofen nur, wenn Glastablett, Walzlager und Welle sich in den richtigen Positionen befinden.
7. Vergewissern Sie sich, dass das Netzkabel nicht beschädigt ist und dass es nicht unter dem Ofen oder über eine heiße oder spitze Fläche verläuft.
8. Die Steckdose muss problemlos zugänglich sein, damit der Stecker im Notfall leicht herausgezogen werden kann.
9. Verwenden Sie den Ofen nicht im Freien.

ANLEITUNGEN ZUM ERDEN

Dieses Gerät muss geerdet sein. Dieser Ofen ist mit einem Stromkabel ausgestattet, das eine Erdungsleitung und einen Erdungsstift am Stecker aufweist. Es muss in eine Wandsteckdose gesteckt werden, die ordnungsgemäß installiert wurde und geerdet ist. Im Falle eines Kurzschlusses reduziert die Erdung das Risiko eines Stromschlags, indem ein Flucht draht für den elektrischen Strom bereitgestellt wird. Es wird empfohlen, einen separaten Stromkreis bereitzustellen, der lediglich den Ofen mit Strom versorgt. Die Verwendung von Hochspannung ist gefährlich und kann zu einem Brand oder einem anderen Unfall führen, durch den der Ofen beschädigt wird.

WARNING!--Ein nicht fachgerechter Anschluss des Erdungssteckers kann das Risiko von elektrischen Schlägen mit sich bringen.

Hinweis:

1. Wenn Sie Fragen über die Erdung oder zu den elektrischen Hinweisen haben, wenden Sie sich an einen qualifizierten Elektriker oder an einen Kundendiensttechniker.
2. Weder der Hersteller noch der Händler haften für Schäden am Ofen oder Verletzungen von Personen, die sich aus einer Missachtung der Verfahren zum elektrischen Anschluss ergeben.

Die Drähte im Netzkabel sind im Einklang mit dem folgenden Code farblich gekennzeichnet:

Grün und Gelb = ERDUNG

Blau = NEUTRALLEITER

Braun = SPANNUNGSFÜHRENDER DRAHT

FUNKINTERFERENZ

Durch den Betrieb des Mikrowellenofens kann der Betrieb Ihres Radio- oder Fernsehgerätes oder ähnlicher Geräte gestört werden. Wenn eine solche Interferenz auftritt, kann sie durch Ergreifen der folgenden Maßnahmen reduziert oder beseitigt werden:

1. Reinigen Sie die Tür und die Dichtungsfläche des Ofens.
2. Richten Sie die Empfangsantenne des Radio- oder Fernsehgeräts neu aus.
3. Stellen Sie den Mikrowellenofen in Bezug auf das Empfangsgerät an einer anderen Stelle auf.
4. Stellen Sie den Mikrowellenofen weiter weg von dem Empfangsgerät auf.
5. Stecken Sie den Netzstecker des Mikrowellenofens in eine andere Steckdose, so dass Mikrowellenofen und Empfangsgerät an verschiedenen Stromkreisen angeschlossen sind.

BEVOR SIE DEN KUNDENSERVICE RUFEN

Bevor Sie den Kundenservice in Anspruch nehmen, überprüfen Sie alle der folgenden Punkte:

- Vergewissern Sie sich, dass der Netzstecker des Ofens ordnungsgemäß und fest in der Steckdose steckt. Falls dies nicht der Fall ist, ziehen Sie den Stecker aus der Steckdose, warten Sie 10 Sekunden lang und stecken Sie ihn erneut fest in die Steckdose.
- Kontrollieren Sie, ob eine Sicherung durchgebrannt ist oder der Hauptschalter ausgeschaltet wurde. Falls Sicherungen und Hauptschalter ordnungsgemäß zu funktionieren scheinen, testen Sie die Steckdose mit einem anderen elektrischen Gerät.
- Vergewissern Sie sich, dass das Bedienfeld korrekt programmiert wurde und dass der Timer eingestellt ist.
- Vergewissern Sie sich, dass die Tür fest geschlossen wurde und die Türverriegelung eingerastet ist. Wenn die Tür nicht richtig geschlossen ist, kann die Mikrowellenenergie nicht in den Innenraum strömen.

WIRD DIE BETRIEBSSTÖRUNG DURCH KEINE DER OBEN ANGEFÜHRTEN MASSNAHMEN BEHOBEN, WENDEN SIE SICH AN EINEN QUALIFIZIERTEN TECHNIKER. VERSUCHEN SIE NICHT, DEN OFEN SELBST IN ORDNUNG ZU BRINGEN ODER ZU REPARIEREN.

GARTECHNIKEN

1. Ordnen Sie die Lebensmittel sorgfältig an. Legen Sie die dicksten Stellen der Lebensmittel an den Tellerrand.
2. Achten Sie auf die Garzeit. Kochen Sie die Lebensmittel für die kürzeste angegebene Zeit und fügen Sie gegebenenfalls weitere Zeit hinzu. Zu stark überkochte Lebensmittel können rauchen oder sich entzünden.
3. Decken Sie die Lebensmittel beim Kochen ab. Die Abdeckungen verhindern ein Verspritzen der Lebensmittel und tragen dazu bei, dass die Lebensmittel gleichmäßig gegart werden.
4. Wenden Sie Lebensmittel wie Hühnchen und Hamburger einmal, um ihre Garzeit in der Mikrowelle zu beschleunigen. Großes Gargut, wie zum Beispiel Braten, muss mindestens einmal gewendet werden.
5. Ordnen Sie Lebensmittel wie Frikadellen nach der Hälfte der Garzeit neu von oben nach unten und von der Mitte des Tellers nach außen um.

LEITFADEN FÜR KOCHGERÄTE

1. Metall ist für Mikrowellen undurchlässig. Verwenden Sie ausschließlich für Mikrowellenöfen geeignete Utensilien. Metallische Behälter für Speisen und Getränke sind beim Garen in der Mikrowelle nicht erlaubt. Diese Anforderung gilt nicht, wenn der Hersteller Größe und Form von Metallbehältern angibt, die für das Kochen in der Mikrowelle geeignet sind.
2. Mikrowellen können kein Metall durchdringen, deshalb sollten keine Metallkochgeräte und keine Schüsseln mit Metallverkleidung benutzt werden.
3. Verwenden Sie beim Kochen mit Mikrowellen keine Produkte aus recyceltem Papier, weil diese kleine Metallfragmente enthalten können, die Funken und/oder Feuer verursachen können.
4. Runde / ovale Schüsseln sind quadratischen / rechteckigen Behältern vorzuziehen, da Lebensmittel in den Ecken zum Verkochen neigen.
5. Um ein Verkochen in den exponierten Bereichen zu verhindern, können Alufolienstreifen verwendet werden. Achten Sie aber darauf, nicht zu viel Alufolie zu verwenden und halten Sie einen Abstand von 2,54 cm zwischen Folie und Garraum ein.

Die nachstehende Liste kann bei der Auswahl der richtigen Kochgeräte als grober Leitfaden dienen.

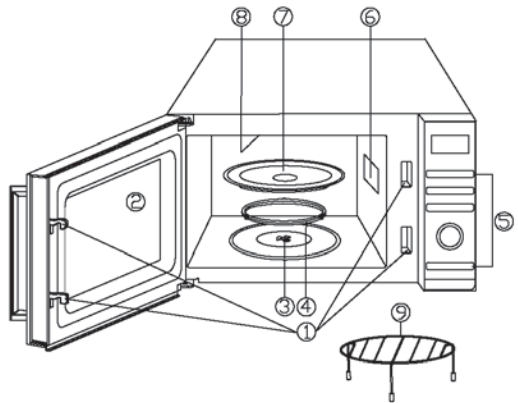
KOCHGESCHIRR	MIKROWELLE	GRILL	KOMBINATION
Hitzebeständiges Glas	Ja	Ja	Ja
Nicht hitzebeständiges Glas	Nein	Nein	Nein
Hitzebeständige Keramik	Ja	Ja	Ja
Mikrowellenbeständige Kunststoffschüssel	Ja	Nein	Nein
Küchenpapier	Ja	Nein	Nein
Metalltablett	Nein	Ja	Nein
Metallgestell	Nein	Ja	Nein
Aluminiumfolie und Folienbehälter	Nein	Ja	Nein

SPEZIFIKATIONEN

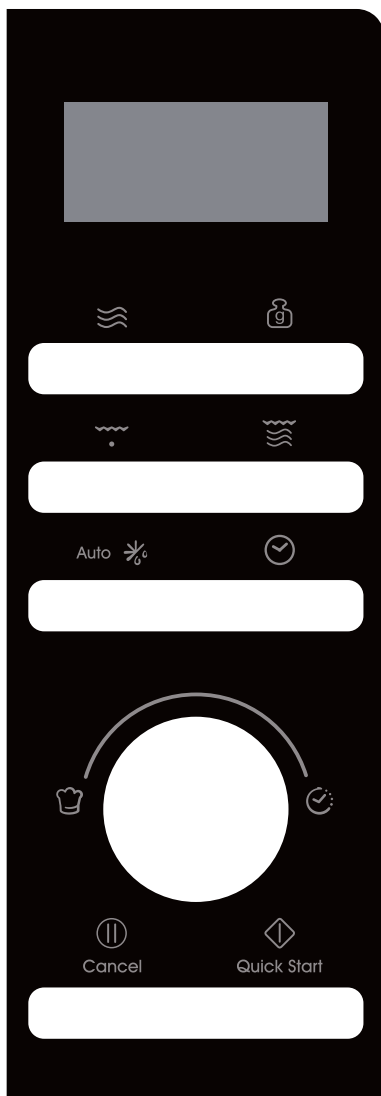
Stromverbrauch:	230-240V/50Hz, 1200W (Mikrowelle) 900W (Grill)
Nennausgangsleistung Mikrowelle:	700W
Betriebsfrequenz:	2450MHz
Außenabmessungen:	262mm(H)×452mm(B)×357mm(T)
Abmessungen des Garraums:	198mm(H)×315mm(B)×297mm(T)
Fassungsvermögen des Ofens:	20 Liter
Nettogewicht:	Ca.11,3 kg

PRODUKTDIAGRAMM

1. Tür-Sicherheitsverriegelung
2. Ofenfenster
3. Welle
4. Walzring
5. Bedienfeld
6. Wellenleiter
(Glimmerplatte, die den Wellenleiter abdeckt, nicht herausnehmen)
7. Glstablett
8. Grillheizgerät
9. Metallgestell



BEDIENFELD



- **MENÜ-VORGANGSBILDSCHIRM**

Garzeit, Leistung, Vorgänge werden angezeigt.

- **LEISTUNG** 

Durch Drücken der Taste können Sie die Energiestufe auswählen.

- **GEWICHTSANPASSUNG** 

Drücken Sie diese Taste, um das Gewicht der Speisen oder Portionen einzustellen.

- **GRILL** 

Durch Drücken dieser Taste kann ein Grillprogramm eingestellt werden.

- **KOMBINATION** 

Durch Drücken dieser Taste kann ein Kombinationsgarprogramm eingestellt werden.

- **AUTOMATISCHES AUFTAUEN**

Auto 

Drücken Sie diese Taste einmal, um Speisen zeitabhängig aufzutauen. Drücken Sie diese Taste zweimal, um Lebensmittel gewichtsabhängig aufzutauen.

- **UHR** 

Drücken, um die Uhrzeit einzustellen.

- **MENÜ/ZEIT**   (**Wählrad**)

Drehen Sie das Wählrad, um die Zeit einzustellen. Drehen Sie das Wählrad, um das automatische Garen auszuwählen.


- **PAUSE/BEENDEN**  Cancel

Drücken Sie einmal, um den Garvorgang vorübergehend zu stoppen, oder zweimal, um den Garvorgang ganz abzubrechen.

- **START/SCHNELLSTART**  Quick Start

Drücken Sie diese Taste, um Gar- und Auftauprogramme zu starten. Drücken Sie mehrmals, um die Garzeit einzustellen und sofort auf voller Leistungsstufe zu garen.

BEDIENUNGSANLEITUNG

- Wenn der Ofen zum ersten Mal eingesteckt wird, ertönt ein Piepton und im Display wird "1:01" und  angezeigt.
- Während des Einstellvorgangs kehrt der Ofen nach ca. 25 Sekunden in den Standby-Modus zurück.
- Wenn Sie während des Garvorgangs die Taste PAUSE/BEENDEN einmal drücken, wird das Programm angehalten. Drücken Sie die Taste START/SCHNELLSTART, um fortzufahren. Wenn Sie jedoch zweimal die Taste PAUSE/BEENDEN drücken, wird das Programm abgebrochen.
- Nach Ende des Garvorgangs zeigt das Display „End“ an und alle zwei Minuten ertönt ein Signalton, bis der Benutzer die Taste PAUSE/BEENDEN drückt oder die Tür öffnet.
- Wenn Sie während des Betriebs eine gültige Taste drücken, ertönt der Summer einmal, aber wenn Sie eine ungültige Taste drücken, ertönt er zweimal.
- Das elektronische Steuerungssystem des Mikrowellenofens verfügt über eine Kühlungsfunktion. Bei jedem Garmodus mit einer Garzeit über 2 Minuten, öffnen Sie nach dem Garzeitende die Ofentür oder das Programm wird pausiert. Der Ofenlüfter wird dann zirka 3 Minuten lang automatisch betrieben, um den Ofen abzukühlen und dadurch seine Lebensdauer zu verlängern.
- Achtung! - Das Kühlgebläse läuft automatisch etwa 3 Minuten lang, wenn die Garzeit länger als 2 Minuten ist.

UHRZEIT EINSTELLEN

Bei der Uhr handelt es sich um eine 12-Stunden und 24-Stunden-Uhr. Sie können wählen, ob Sie die Uhrzeit in 12 oder 24 Stunden einstellen möchten, indem Sie die UHR-Taste im Standby-Modus drücken.

1. Drücken Sie im Standby-Modus wiederholt die UHR-Taste, um die 12- oder 24-Stunden-Uhr auszuwählen.
2. Drehen Sie das Wählrad MENÜ/ZEIT, um die Stundenzahl einzustellen.
3. Drücken Sie die UHR-Taste einmal.
4. Drehen Sie das Wählrad MENÜ/ZEIT, um die Minutenzahl einzustellen.
5. Drücken Sie zur Bestätigung die UHR-Taste einmal.

HINWEIS: Während des Garens können Sie die aktuelle Uhrzeit durch Drücken der UHR-Taste anzeigen lassen.

EXPRESS-GAREN

Mit dieser Funktion können Sie den Ofen so programmieren, dass er Lebensmittel mit 100% Leistung erhitzt. Drücken Sie im Standby-Modus wiederholt die Taste START/SCHNELLSTART, um die Garzeit einzustellen (jedes Drücken erhöht die Zeit um 30 Sekunden, bis zu 10 Minuten), die Mikrowelle startet sofort mit voller Leistung.

GAREN MIT DER MIKROWELLE

1. Drücken Sie im Standby-Modus wiederholt die Leistungstaste, um die Energieleistung auszuwählen.
2. Drehen Sie das Wählrad MENÜ/ZEIT im Uhrzeigersinn, um die Garzeit einzustellen. Die längste Garzeit beträgt 95 Minuten.
3. Drücken Sie die Taste START/SCHNELLSTART zur Bestätigung.

Drücken Sie die Leistungstaste, um die Leistungsstufe auszuwählen:

Drücken Sie die Leistungstaste.	Leistung (Display)	Drücken Sie die Leistungstaste.	Leistung (Display)
Einmal	100% (100)	7-mal:	40% (40)
Zweimal	90% (90)	8-mal:	30% (30)
3-mal:	80% (80)	9-mal:	20% (20)
4-mal:	70% (70)	10-mal:	10% (10)
5-mal:	60% (60)	11-mal:	00% (00)
6-mal:	50% (50)		

HINWEIS: Während des Garens können Sie die Leistungsstufe durch Drücken der Leistungstaste überprüfen.

ZEIT AUFTAUEN

1. Drücken Sie im Standby-Modus die Taste AUTOMATISCHES AUFTAUEN einmal.
2. Drehen Sie das Wählrad MENÜ/ZEIT, um die Auftauzeit einzustellen. Die längste Garzeit beträgt 95 Minuten.
3. Drücken Sie die Taste START/SCHNELLSTART zur Bestätigung.

HINWEIS: Während des Abtauens macht das System eine Pause und erinnert den Benutzer mit einem Signalton daran, die Lebensmittel zu wenden. Dann die Taste START/SCHNELLSTART drücken, um fortzusetzen.

AUTOMATISCHES AUFTAUEN

Die Auftauzeit und die Leistungsstufe werden automatisch eingestellt, sobald das Lebensmittelgewicht eingegeben wurde. Das Gewicht der auftaubaren Tiefkühlkost reicht von 100 g bis 1800 g.

1. Drücken Sie im Standby-Modus die Taste AUTOMATISCHES AUFTAUEN zweimal.
2. Drücken Sie wiederholt die Taste GEWICHTSANPASSUNG, um das Lebensmittelgewicht auszuwählen.
3. Drücken Sie die Taste START/SCHNELLSTART zur Bestätigung.

HINWEIS: Während des Abtauens macht das System eine Pause und erinnert den Benutzer mit einem Signalton daran, die Lebensmittel zu wenden. Dann die Taste START/SCHNELLSTART drücken, um fortzusetzen.

GRILL

Das Grillen eignet sich besonders für dünne Fleischscheiben, Steaks, Koteletts, Spieße, Würstchen und Hähnchenstücke. Eignet sich außerdem für die Zubereitung von Sandwiches und gratinierten Gerichten.

1. Drücken Sie im Standby-Modus die Taste GRILL einmal.
2. Drehen Sie das Wählrad MENÜ/ZEIT, um die Garzeit einzustellen. Die längste Garzeit beträgt 95 Minuten.
3. Drücken Sie die Taste START/SCHNELLSTART zur Bestätigung.

KOMBINATION

Im Kombinationsmodus 1 läuft der Grill länger als die Mikrowelle; verwenden Sie ihn für Fisch und Überbackenes. Im Kombinationsmodus 2 läuft die Mikrowelle länger als der Grill; verwenden Sie ihn für Pudding, Omeletts, gebackene Kartoffeln und Geflügel.

1. Drücken Sie im Standby-Modus die Taste KOMBINATION ein- oder zweimal, um „Co-1“ oder „Co-2“ auszuwählen.
2. Drehen Sie das Wählrad MENÜ/ZEIT, um die Garzeit einzustellen. Die längste Garzeit beträgt 95 Minuten.
3. Drücken Sie die Taste START/SCHNELLSTART zur Bestätigung.

SELBSTREINIGUNG

Stellen Sie eine Schüssel mit 300 g Wasser in den Ofen und schließen Sie die Tür.

1. Drehen Sie im Standby-Modus das Wählrad MENÜ/ZEIT einmal gegen den Uhrzeigersinn, und drehen Sie es dann so lange, bis das Display „A-19“ und „AUTO“ anzeigt.
2. Drücken Sie die Taste für die GEWICHTSANPASSUNG einmal.
3. Drücken Sie die Taste START/SCHNELLSTART zum Starten.

HINWEIS: Die Reinigungszeit beträgt 10 Minuten.

KINDERSICHERUNG

Damit wird verhindert, dass Kinder den Ofen unbeaufsichtigt bedienen.

So aktivieren Sie die Kindersicherung: Wenn im Standby-Modus innerhalb einer Minute keine Bedienung erfolgt, geht der Ofen automatisch in den Kindersicherungsmodus über und die Kontrollleuchte für die Kindersicherung leuchtet auf. Bei eingeschalteter Kindersicherung sind sämtliche Tasten deaktiviert.

Zum Abbrechen: Ofentür im Kindersicherungsmodus einmal öffnen oder schließen, um das Programm abzubrechen, und die Kontrollleuchte für Kindersicherung erlischt.

AUTOMATISCHES GAREN

Für folgende Lebensmittel bzw. für den folgenden Kochmodus müssen Zeit und Kochenergie nicht programmiert werden. Es reicht, die Art des Lebensmittels anzugeben, das Sie kochen wollen sowie das Gewicht oder die Portionen dieses Lebensmittels.

1. Drehen Sie im Standby-Modus das Wählrad MENÜ/ZEIT gegen den Uhrzeigersinn, um den Lebensmittelcode auszuwählen.
2. Drücken Sie wiederholt die Taste GEWICHTSANPASSUNG, um das Lebensmittelgewicht oder die Portionen auszuwählen.
3. Drücken Sie die Taste START/SCHNELLSTART zur Bestätigung.

Menüs für das automatische Garen

Code	Lebensmittel	Gewicht/Menge	Anmerkung
A-01	Milch/Kaffee/Tee (200 ml/Tasse)	1 Tasse	Das Display zeigt die Anzahl der Portionen anstelle des Lebensmittelgewichts an
		2 Tasse	
		3 Tasse	
A-02	Spaghetti	100g	
		200g	
		300g	
A-03	Kartoffeln	100g	
		200g	
		300g	
A-04	Automatisches Aufwärmen	200g	
		300g	
		400g	
		500g	
		600g	
		700g	
		800g	
A-05	Fisch	200g	
		300g	
		400g	
		500g	
		600g	
A-06	Popcorn	100g	

A-07	Huhn	800g	Während des Garvorgangs macht der Ofen eine Pause und erinnert den Benutzer mit einem Signalton daran, die Lebensmittel zu wenden. Dann die Taste START/SCHNELLSTART drücken, um den Vorgang fortzusetzen.
		1000g	
		1200g	
		1400g	
A-08	Rind/Lammfleisch	200g	
		300g	
		400g	
		500g	
		600g	
A-09	Fleisch am Spieß	100g	Während des Garvorgangs macht der Ofen eine Pause und erinnert den Benutzer mit einem Signalton daran, die Lebensmittel zu wenden. Dann die Taste START/SCHNELLSTART drücken, um den Vorgang fortzusetzen.
		200g	
		300g	
		400g	
		500g	
A-10	Suppe	1	200 r/Tasse
		2	
		3	
A-11	Porridge	50g	
		100g	
		150g	
A-12	Frisches Gemüse	200g	
		300g	
		400g	
		500g	
		600g	
A-13	Gefrorenes Gemüse	200g	
		300g	
		400g	
		500g	
		600g	

A-14	Reis	150g	
		300g	
		450g	
		600g	
A-15	Pizza	150g	
		300g	
		450g	
A-16	Gegrillter Fisch	200g	Während des Garvorgangs macht der Ofen eine Pause und erinnert den Benutzer mit einem Signalton daran, die Lebensmittel zu wenden. Dann die Taste START/SCHNELLSTART drücken, um den Vorgang fortzusetzen.
		300g	
		400g	
		500g	
		600g	
A-17	Gegrillter Speck	100g	
		200g	
		300g	
A-18	Würstchen	100g	Während des Garvorgangs macht der Ofen eine Pause und erinnert den Benutzer mit einem Signalton daran, die Lebensmittel zu wenden. Dann die Taste START/SCHNELLSTART drücken, um den Vorgang fortzusetzen.
		200g	
		300g	
		400g	
		500g	
A-19	Autoclean/(angezeigt durch den vollen Wassertropfen im Ofen)		

Das Ergebnis des automatischen Garens hängt von Faktoren wie der Form und Größe der Lebensmittel, Ihren persönlichen Vorlieben hinsichtlich des Grads der Garung bestimmter Lebensmittel und sogar davon ab, wie gut Sie die Lebensmittel im Ofen platzieren. Wenn Sie mit dem Ergebnis nicht ganz zufrieden sind, passen Sie die Garzeit entsprechend an.

REINIGEN UND PFLEGEN

1. Schalten Sie den Ofen aus und ziehen Sie den Netzstecker aus der Steckdose, bevor Sie mit der Reinigung beginnen.
2. Halten Sie das Innere des Ofens immer sauber. Verspritztes Gargut oder verschüttete Flüssigkeiten, die an den Ofenwänden kleben, können Sie mit einem feuchten Tuch abwischen. Falls der Ofen sehr schmutzig wird, können Sie milde Reinigungsmittel verwenden. Vermeiden Sie die Verwendung von Spray oder anderen aggressiven Reinigungsmitteln. Sie können die Türoberfläche verschmutzen, stumpf werden lassen oder Streifen bilden.
3. Die Außenfläche des Ofens sollte mit einem feuchten Tuch gereinigt werden. Um Schäden an den Betriebsteilen im Innern des Ofens zu verhindern, sollte kein Wasser in die Lüftungsschlitze eindringen.
4. Wischen Sie Tür und Fenster auf beiden Seiten, die Türdichtungen und die angrenzenden Teile häufig mit einem feuchten Tuch um Spritzer oder Flecken zu beseitigen. Verwenden Sie kein Scheuermittel.
5. Keinen Dampfreiniger verwenden.
6. Lassen Sie das Bedienfeld nicht nass werden. Reinigen Sie es mit einem weichen, feuchten Tuch. Lassen Sie die Tür offen, wenn Sie das Bedienfeld reinigen, um zu verhindern, dass Sie den Ofen versehentlich einschalten.
7. Wenn sich im Innern oder rund um die Außenseite der Ofentür Dampf sammelt, wischen Sie ihn mit einem feuchten Tuch ab. Dies kann vorkommen, wenn der Mikrowellenofen bei sehr feuchten Bedingungen betrieben wird. Es handelt sich um ein normales Phänomen.
8. Gelegentlich muss das Glastablett zum reinigen herausgenommen werden. Waschen Sie das Tablett in warmen Spülwasser oder in einer Spülmaschine.
9. Der Walzring und der Ofenboden sind regelmäßig zu reinigen, um eine übermäßige Geräuschentwicklung zu verhindern. Wischen Sie einfach die Bodenfläche des Ofens mit einem milden Reinigungsmittel. Der Walzring kann in mildem Spülwasser oder im Geschirrspüler gereinigt werden. Wenn Sie den Walzring aus dem Boden des Garraums herausnehmen, achten Sie darauf, ihn später wieder richtig einzusetzen.
10. Gerüche können Sie aus dem Ofen beseitigen, indem Sie eine Tasse Wasser mit dem Saft und der Schale einer Zitrone in einer tiefen mikrowellengeeigneten Schüssel in das Gerät stellen. Fünf Minuten in der Mikrowelle erhitzen. Wischen Sie den Ofen anschließend mit einem feuchten Tuch gründlich aus.
11. Wenn die Glühbirne durchbrennt, wenden Sie sich für den Austausch an den Kundendienst.
12. Der Ofen sollte regelmäßig gereinigt und sämtliche Lebensmittelreste entfernt werden. Wird der Ofen nicht in einem sauberen Zustand gehalten, kann dies zur Verschlechterung der Oberfläche führen, was sich wiederum nachteilig auf die Lebensdauer des Geräts auswirken und möglicherweise zu einer gefährlichen Situation führen könnte.
13. Entsorgen Sie dieses Gerät nicht im Haushaltsmüll, es sollte in einem besonderen Entsorgungszentrum entsorgt werden, das von der Gemeinde bereitgestellt wird.
14. Bei der erstmaligen Nutzung des Mikrowellenofens mit Grillfunktion kann es zu leichter Rauch- und Geruchsentwicklung kommen. Das ist ein normales Phänomen, weil der Ofen aus einer Stahlplatte besteht, die mit Schmieröl beschichtet ist und der neue Ofen erzeugt beim Verbrennen des Schmieröls Rauch und Geruch. Dieses Phänomen wird nach einer gewissen Nutzungszeit verschwinden.

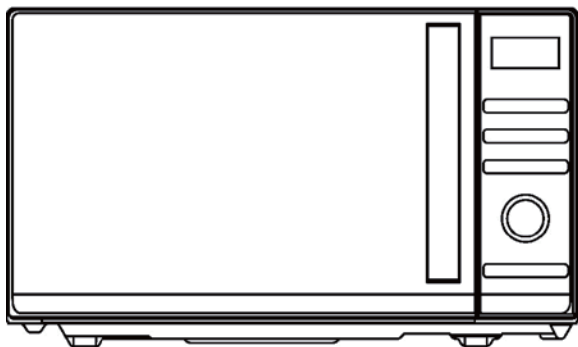


Dieses Elektrohaushaltsgerät ist in Einklang mit der EU-Richtlinie 2012/19/EU über Elektro- und Elektronik-Altgeräte (WEEE, Waste Electrical and Electronic Equipment 2013) gekennzeichnet. Elektro- und Elektronik-Altgeräte enthalten umweltschädigende Substanzen (die ggf. eine negative Auswirkung auf die Umwelt haben) sowie (wiederverwendbare) Grundelemente. Daher ist es wichtig, Elektro- und Elektronik-Altgeräte spezifisch zu entsorgen, um alle schädlichen Substanzen zu entfernen und wiederverwendbare Teile zu recyceln. Verbraucher leisten einen wichtigen Beitrag, um zu gewährleisten, dass Elektro- und Elektronik-Altgeräte nicht zu einem Umweltproblem werden. Halten Sie sich daher bitte an die folgenden Grundregeln:

- Elektro- und Elektronik-Altgeräte dürfen nicht mit dem normalen Hausmüll entsorgt werden.
- Elektro- und Elektronik-Altgeräte müssen bei zugelassenen Sammelstellen abgegeben werden, die von der Stadtverwaltung oder anderen zuständigen Stellen verwaltet werden.

In vielen Ländern wird für die Entsorgung großer Elektro- und Elektronik-Altgeräte ein Abholservice angeboten. Beim Kauf eines neuen Geräts wird das alte vom Händler zurückgenommen, der es kostenfrei entsorgt, sofern das neue Gerät von einem ähnlichen Typ ist und die gleiche Funktion erfüllt wie das Altgerät.

Mikrohullámú sütő felhasználói kézikönyv



Modell: CMGA20TNDB

Kérjük, hogy a sütő telepítése és üzembe helyezése előtt olvassa el figyelmesen az utasításokat.

Haier Europe <small>CANDY</small> <small>Haier</small>	PT ☎ 707 200 188 210 010 773	IT ☎ 02 400 48 200	ES ☎ 902 100 150 943 914 150	DE ☎ 0800 500 48 48
BE ☎ 02 752 94 10	NL ☎ 33 422 4000	AT ☎ 0820 220 224	GR ☎ 801 11 50 50 50	CH ☎ 0848 780 780

70017948

TARTALOMJEGYZÉK

TARTALOMJEGYZÉK.....	1
ÓVINTÉZKEDÉSEK A MIKROHULLÁMÚ ENERGIA TÚLZOTT HATÁSÁNAK ELKERÜLÉSE ÉRDEKÉBEN	2
FONTOS BIZTONSÁGI UTASÍTÁSOK	2
TELEPÍTÉSI ÚTMUTATÓ	5
FÖLDELÉSI UTASÍTÁSOK	5
RÁDIÓFREKVENCIÁS ZAVAROK.....	6
A SZERVIZ KIHÍVÁSA ELŐTT 	6
SÜTÉSI TECHNIKÁK	6
ÚTMUTATÓ A FŐZŐEDÉNYEKHEZ	7
MŰSZAKI ADATOK.....	8
TERMÉK RÉSZEI.....	8
KAPCSOLÓLAP	9
KEZELÉSI UTASÍTÁS	10
A PONTOS IDŐ BEÁLLÍTÁSA	10
EXPRESSZ SÜTÉS.....	10
MIKROHULLÁMÚ SÜTÉS.....	10
IDŐZÍTETT KIOLVASZTÁS.....	11
AUTOMATA KIOLVASZTÁS	11
GRILL.....	11
KOMBINÁCIÓS FUNKCIÓ.....	12
AUTOMATA TISZTÍTÁS	12
GYERMEKZÁR	12
AUTOMATIKUS SÜTÉS.....	12
AUTOMATIKUS SÜTÉSI MENÜK:	13
A KÉSZÜLÉK TISZTÍTÁSA ÉS GONDOZÁSA	15

ÓVINTÉZKEDÉSEK A MIKROHULLÁMÚ ENERGIA TÚLZOTT HATÁSÁNAK ELKERÜLÉSE ÉRDEKÉBEN

1. Ne próbálja meg a sütőt nyitott ajtóval működtetni, mert az a mikrohullámú energia káros hatását eredményezheti. A biztonsági reteszelt nem szabad letörni vagy kiiktatni.
2. Ne helyezzen semmilyen tárgyat a sütő ajtaja és a homlokfelület közé, és ügyeljen arra, hogy ne gyűljön össze étel- vagy tisztítószer-maradék a tömítő felületeken.
3. Ne működtesse a sütőt, ha sérült a készülék. Nagyon fontos, hogy az ajtó megfelelően záródjon, illetve, hogy a következők ne sérüljenek meg:
 - a) ajtó (beleértve az ajtó megvetemedését is),
 - b) csuklópántok és reteszek (törött vagy kilazult),
 - c) ajtótömítések és tömítőfelületek.
4. A sütőt csak képzett szerelők állíthatják be és javíthatják.

FONTOS BIZTONSÁGI UTASÍTÁSOK

Az elektromos készülékek használatakor be kell tartani az alapvető biztonsági óvintézkedéseket, többek között az alábbiakat:

FIGYELMEZTETÉS! – Az égés, az áramütés, a tűz, a személyi sérülés és a mikrohullámú energia túlzott hatása veszélyének csökkentése érdekében:

1. A készülék használata előtt olvassa el az útmutatót, és tartsa meg későbbi használatra.
2. A készüléket csak a kézikönyvben ismertetett célra szabad használni. Ne használjon maró hatású vegyszereket vagy gőzöket a készülékben. Ezt a sütőt kifejezetten élelmiszerek melegítésére, sütésére vagy szárítására tervezték. Ipari vagy laboratóriumi célra nem használható.
3. Ne működtesse üres állapotban a sütőt.
4. Ne működtesse a készüléket, ha a kábel vagy csatlakozódugó sérült, ha a sütő nem működik megfelelően vagy ha a sütő sérült vagy leesett. Ha megsérült a hálózati kábel, akkor azt a veszélyek elkerülése érdekében a gyártónak vagy a gyártó hivatalos szervizének, illetve egy hasonlóan képzett személynek kell kicserélnie.

5. **FIGYELMEZTETÉS!** – Gyermek csak akkor használhatja felügyelet nélkül a sütőt, ha megfelelő útmutatást kaptak arról, hogyan kell a sütőt biztonságosan használni és milyen veszélyei vannak a helytelen használatnak.
6. **FIGYELMEZTETÉS!** – A készülék kombinált üzemmódban történő működtetések a keletkező hő miatt gyermekek csak felnőtt felügyelete mellett használhatják a sütőt.
7. A sütőtérben kialakuló tűzveszély csökkentése érdekében:
 - Az étel műanyag- vagy papírtálcán történő melegítésekor a gyulladás lehetősége miatt tartsa a szemét a sütőn.
 - A sütőbe helyezés előtt vegye ki a papír- vagy a műanyag zacskókból a fémhuzalokat.
 - Füst észlelése esetén kapcsolja vagy húzza ki a készüléket, és az esetleges láng elfojtása céljából tartsa csukva az ajtót.
 - Ne használja tárolásra a sütőtérrel. Ne hagyjon papírtermékeket, főzőedényeket vagy ételt a sütőtérben, ha nem használja a készüléket.
 - A mikrohullámú sütő ételek és italok melegítésére szolgál. Ruhadarabok szárítása, melegítőpárnák, papucskok, szivacsok, nedves ruhák és egyéb felmelegítése sérülés- és tűzveszélyt okoz.
8. **FIGYELMEZTETÉS!** – A folyadékokat vagy más ételeket nem szabad lezárt edényekben melegíteni, mert azok felrobbanhatnak.
9. Az italok mikrohullámú melegítése késleltetett, hirtelen jellegű forrást eredményezhet, ezért az edény kezelésekor körültekintően kell eljárni.
10. Ne süssön zsírban ételt a sütőben. A forró olaj károsíthatja a sütő alkatrészeit és az edényeket, sőt a bőrünket is megégethetjük.
11. A tojást, illetve a keménytojást héjastul nem szabad a mikrohullámú sütőben melegíteni, mert az a melegítés befejezése után is szétpattanhat.
12. Sütés előtt szurkálja meg a vastag héjú élelmiszereket, például a burgonyát, az egészben lévő tököket, almát és gesztenyét.
13. A cumisüvegek és a bébiételes üvegek tartalmát a fogyasztás előtt össze kell keverni vagy fel kell rázni, és ellenőrizni kell a hőmérsékletét.
14. A főzőedények felforrósodhatnak, mert átveszik a felmelegített étel hőjét. Az edények kezeléséhez edényfogók használata válhat szükségessé.
15. Ellenőrizni kell az edényeket, hogy alkalmasak-e a mikrohullámú sütőben történő használatra.
16. **FIGYELMEZTETÉS!** – Csak az arra kiképzett személyek végezhetnek olyan javítási vagy szervizmunkát, amely a mikrohullámú energiával szemben védelmet nyújtó burkolat eltávolításával jár együtt.
17. Ez a mikrohullámú sütő megfelel az EN 55011/CISPR 11 szabványnak, amely szerint a B osztály 2. csoportba tartozik. A 2. csoportba tartozó készülék: a 2. csoportba tartozik minden olyan ISM RF készülék, amelyben a 9 kHz és 400 GHz közötti frekvenciatartományba tartozó rádiófrekvenciás energiát szándékosan hozzák létre és/vagy amelyekben a rádiófrekvenciás energiát elektromágneses sugárzás formájában használják az anyagok kezelésére, felügyeleti/elemezési célokra vagy elektromágneses energia átvitelére. A B

- osztályba azok a berendezések tartoznak, amelyek lakókörnyezetekben vagy olyan létesítményekben történő használatra alkalmasak, amelyek közvetlenül csatlakoznak olyan kifeszültségű áramellátó hálózathoz, amely háztartási célra használt épületeket lát el.
18. A készüléket nem használhatják csökkent fizikai, érzékszervi vagy szellemi képességű, illetve tapasztalatokkal és ismeretekkel nem rendelkező személyek (gyerekek sem), hacsak a biztonságukért felelős személy nem felügyeli a készülék használatát.
 19. Ügyelni kell arra, hogy gyerekek ne játsszanak a készülékkel.
 20. A mikrohullámú sütő csak szabadon álló formátumban használható.
 21. **FIGYELMEZTETÉS!** – Ne szerelje be a mikrohullámú sütőt főzőlap vagy más hőtermelő berendezés fölé. Ilyen beszerelés esetén a mikrohullámú sütő károsodhat, és a garancia érvényét veszítheti.
 22. A mikrohullámú sütőt nem szabad szekrénybe helyezni.
 23. A készülék működése közben az ajtó vagy a külső felület felforrósodhat.
 24. **FIGYELMEZTETÉS!** – A készülék hozzáférhető részei használat közben felmelegedhetnek. A kisgyermeket távol kell tartani a készüléktől.
 25. A készülék használat közben felmelegszik. A sütő belsejében lévő fűtőelemeket nem szabad megérinteni tűzhelyek és sütők esetében.
 26. Működés közben a készülék elérhető felületei felmelegedhetnek.
 27. A készüléket nem használhatják gyermekek, csökkent fizikai, érzékszervi vagy szellemi képességű, illetve tapasztalatokkal és ismeretekkel nem rendelkező személyek, hacsak felügyeletben nem részesülnek, vagy útmutatást nem kaptak.
 28. Az étel műanyag vagy papírtálcán történő melegítésekor a gyulladás lehetősége miatt tartsa a szemét a sütőn.– Ha az ajtó vagy az ajtószigetelés sérült, nem szabad a sütőt működtetni addig, amíg szakképzett szerelő ki nem javítja azt.
 29. A készülék nem működtethető külső időkapcsolóval vagy külön távvezérlő rendszerrel.
 30. A mikrohullámú sütőt kizárólag háztartási célokra tervezték és nem ipari célú felhasználásra.
 31. Soha ne távolítsa el a készülék hátoldalán és oldalain lévő távtartókat, mivel ezek biztosítják a levegő keringéséhez szükséges minimális távolságot a faltól.
 32. A készülék mozgatása előtt rögzítse a forgótányért, hogy elkerülje annak esetleges károsodását.
 33. **VIGYÁZAT!** – A készülék javítását vagy karbantartását veszélyes nem szakemberre bízni, mivel ilyen esetben el kell távolítani a burkolatot, amely védelmet nyújt a mikrohullámú sugárzás ellen. Ez vonatkozik a tápkábel és az izzó cseréjére is. Ilyen esetekben küldje be a készüléket ügyfélszolgálatunkra.
 34. A mikrohullámú sütő kizárólag ételek kiolvasztására, sütésére és párolására alkalmas.
 35. A megmelegített ételek kivételéhez használjon kesztyűt.
 36. Vigyázat! Fedő vagy takaró alufólia megemelése esetén gőz távozik.
 37. A készüléket csak akkor használhatják 8 éven felüli gyerekek, csökkent fizikai, érzékszervi vagy szellemi képességű, illetve tapasztalatokkal és ismeretekkel nem rendelkező személyek, ha felügyeletben részesülnek, vagy útmutatást kaptak a készülék biztonságos

használatáról, és megértették a készülék használatában rejlő veszélyeket. Gyerekek nem játszhatnak a készülékkel. A tisztítást és a karbantartást nem végezhetik 8 év alatti és felügyelet nélküli gyerekek.

38. Füst érzékelése esetén kapcsolja le vagy húzza ki a készüléket, és az esetleges láng elfojtása céljából tartsa csukva az ajtót.

TELEPÍTÉSI ÚTMUTATÓ

1. Vegye ki az összes csomagolóanyagot a készülék belsejéből.
2. **FIGYELMEZTETÉS!** – Ellenőrizze, hogy nincsenek-e olyan sérülések a sütőn, mint például rosszul beállított vagy megvetemedett ajtó, sérült ajtótümités vagy tömítőfelület, törött vagy kilazult csuklópánt és retesz, illetve horpadások a sütőtérben vagy az ajtón. Ha bármilyen sérülést észlel, ne működtesse a sütőt, és vegye fel a kapcsolatot egy szakképzett szervizdolgozóval.
3. Helyezze a mikrohullámú sütőt sima, stabil felületre, amely a készülék saját súlyát és a sütőben elkészítendő legnehezebb étel súlyát egyaránt kibírja.
4. Ne tegye a sütőt meleg, nedves vagy nagy páratartalmú helyre vagy gyúlékony anyagok közelébe.
5. A készülék helyes működéséhez megfelelő levegőáramlást kell biztosítani. Hagyjon legalább 20 cm szabad területet a sütő felett, illetve 5 cm-t mindkét oldalánál. A mikrohullámú sütő hátlapjának a fal közelében kell elhelyezkednie. Ne takarja vagy ne zárja le a készülék nyílásait. Ne távolítsa el a készülék lábait.
6. Ne használja a sütőt a megfelelő helyzetben lévő üvegtányér, a görgőtartó és a tengely nélkül.
7. Ügyeljen arra, hogy ne sérüljön meg a hálózati kábel, ne kerüljön a készülék alá, vagy bármilyen forró vagy éles felület fölé.
8. A csatlakozóaljzatnak könnyen hozzáférhetőnek kell lennie, hogy vész helyzetben azonnal ki lehessen húzni a csatlakozódugót.
9. Ne használja a sütőt a szabadban.

FÖLDELÉSI UTASÍTÁSOK

A készüléket földelni kell. A sütő földelő vezetékkel ellátott földelő dugóval van felszerelve. A dugót megfelelően szerelt és földelt fali csatlakozóaljzatba kell bedugni. Elektromos rövidzárlat esetén a földelés csökkenti az áramütés veszélyét, mert lehetőséget teremt az áram elvezetésére. A sütőhöz külön áramkör kialakítását javasoljuk. A nagyfeszültség használata veszélyes és tüzet vagy más, a sütő károsodásához vezető balesetet okozhat.

FIGYELMEZTETÉS! – A földelt csatlakozódugó helytelen használata áramütést idézhet elő.

Megjegyzés:

1. Ha bármilyen kérdése merül fel a földeléssel vagy az elektromos csatlakoztatást érintő

utasításokkal kapcsolatban, kérjük, konzultáljon szakképzett villanyszerelővel vagy szervizdolgozóval.

2. Sem a gyártó, sem a kereskedő nem vállal felelősséget az elektromos csatlakoztatási utasítások be nem tartásából eredő személyi sérülésekért vagy a sütő károsodásáért.

A fővezeték huzalainak színezése a következő:

Zöld és sárga = FÖLDELÉS

Kék = NULLAVEZETÉK

Barna = FESZÜLTÉG ALATTI VEZETÉK

RÁDIÓFREKVENCIÁS ZAVAROK

A mikrohullámú sütő működése a rádió, a televízió vagy más hasonló berendezés használatakor rádiófrekvenciás zavart okozhat. Ilyenkor az alábbi lépések megtételével csökkenthető vagy szüntethető meg a zavar:

1. Tisztítsa meg a sütő ajtaját és tömítőfelületét.
2. Irányítsa másfelé a rádió vagy a televízió vevőantennáját.
3. Tegye át máshová a mikrohullámú sütőt a vevőkészülékhez képest.
4. Vigye távolabb a mikrohullámú sütőt a vevőkészüléktől.
5. Csatlakoztassa a mikrohullámú sütőt egy másik csatlakozóaljzatba, hogy a mikrohullámú sütő és a vevőkészülék két különböző áramkörön legyen.

A SZERVIZ KIHÍVÁSA ELŐTT

Mielőtt felhívna a szervizt, ellenőrizze az alábbi pontokat:

- Ellenőrizze, a sütő megfelelően be van-e dugaszolva a csatlakozóaljzatba. Ha nem, húzza ki a csatlakozódugót az aljzataból, várjon 10 másodpercet, majd pedig határozottan dugaszolja vissza újra.
- Ellenőrizze, hogy nem égett-e ki a biztosíték vagy nem lépett-e működésbe a megszakító. Ha nem, ellenőrizze a csatlakozóaljzatot egy másik készülékkel.
- Ellenőrizze, a kapcsolólap megfelelően van-e programozva és az időkapcsoló be van-e állítva.
- Ellenőrizze, hogy az ajtó rendesen be van-e csukva és bekapcsolódott-e az ajtózárási rendszer. Ha az ajtó nincs megfelelően bezárva, a mikrohullámú energia nem áramlik be.

HA A FENT EMLÍTETT LÉPÉSEK EGYIKÉVEL SEM OLDHATÓ MEG A HELYZET, AKKOR VEGYE FEL A KAPCSOLATOT EGY SZAKKÉPZETT SZERELŐVEL. NE PRÓBÁLJA MEG SAJÁT MAGA BEÁLLÍTANI VAGY MEGJAVÍTANI A KÉSZÜLÉKET.

SÜTÉSI TECHNIKÁK

1. Rendezze el körültekintően az ételt. A legvastagabb részeket a tál külső része felé helyezze

el.

2. Figyelje a sütési időt. A sütést a megadott legrövidebb ideig végezze, és szükség esetén süsse tovább az ételt. A túlsütött étel füstölhet és meggyulladhat.
3. Sütés közben fedje le az ételeket. A fedők megakadályozzák a felfröccsenést és elősegítik az ételek egyenletes sütését.
4. Az ételkészítés felgyorsítása érdekében a mikrohullámú sütés közben fordítsa meg egyszer az olyan ételeket, mint a csirke vagy a hamburger. A nagy darabokat, például a sülteket legalább egyszer meg kell fordítani.
5. Sütéskor féldőben rendezze át az ételeket, például a húsgombócokat, felülről lefelé, illetve a tál középpontja felől kifelé.

ÚTMUTATÓ A FŐZŐEDÉNYEKHEZ

1. A mikrohullám nem képes a fémbe behatolni. Csak mikrohullámú sütőbe való konyhai eszközöket szabad használni. Fémedények sem italok, sem ételek esetében nem használhatók mikrohullámú sütésre. Ez a követelmény nem érvényes akkor, ha a gyártó meghatározza a mikrohullámú sütéshez használható fémedények méretét és alakját.
2. A mikrohullám nem képes a fémbe behatolni, ezért nem használhatók fémedények vagy fémszegélyű tálak.
3. Ne használjon a mikrohullámú sütőben újra hasznosított papírtermékeket, mert apró fémrészecskéket tartalmazhatnak, amelyek szikrát és/vagy tüzet kelthetnek.
4. Négyzet és téglalap alakú edények helyett kerek/ovális tálak használatát javasoljuk, mert a sarkokban túlfőhet az étel.
5. A szabadon lévő részek túlsütésének elkerülésére keskeny alufólia-csíkok használhatók. Ne használjon túl sok alufóliát, és tartson legalább 2,54 cm távolságot a fólia és a sütőtér belső fala között.

Az alábbi táblázat a megfelelő edények kiválasztásához nyújt segítséget.

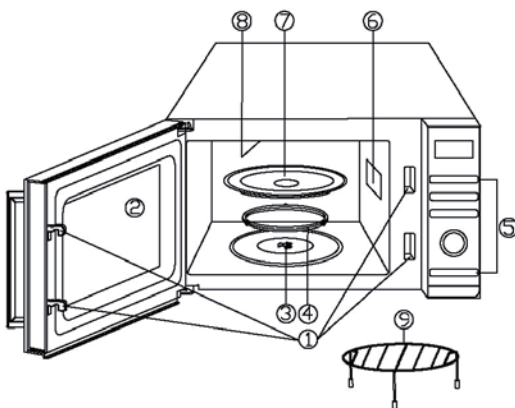
EDÉNY	MIKROHULLÁM	GRILL	KOMBINÁLT
Hőálló üveg	Igen	Igen	Igen
Nem hőálló üveg	Nem	Nem	Nem
Hőálló kerámia	Igen	Igen	Igen
Mikrohullám-biztos műanyag edény	Igen	Nem	Nem
Konyhai papír	Igen	Nem	Nem
Fémtálca	Nem	Igen	Nem
Fémrács	Nem	Igen	Nem
Alufólia és fóliatálca	Nem	Igen	Nem

MŰSZAKI ADATOK

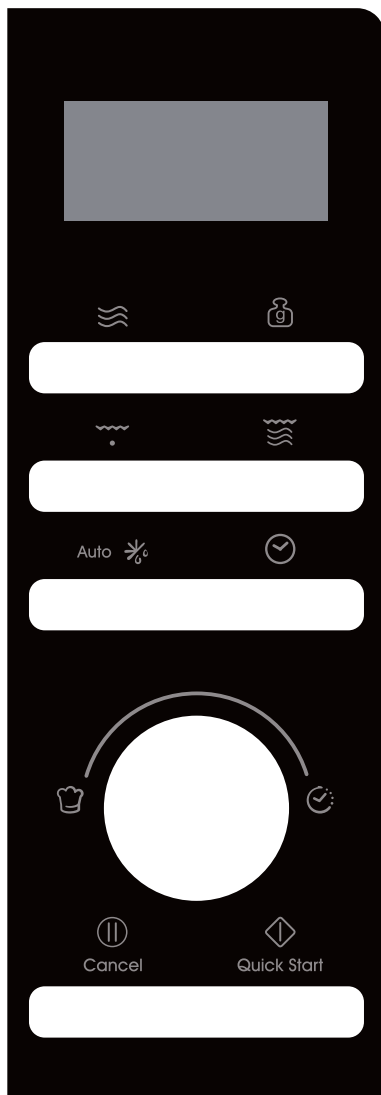
Energiafogyasztás:	230-240 V/50 Hz, 1200 W (mikrohullám)
	900 W (grill)
Névleges mikrohullámú teljesítmény:	700W
Üzemi frekvencia:	2450 MHz
Külméreték:	262 mm (magasság) x 452 mm (szélesség) x 357 mm (mélység)
Sütőtér-méreték:	198 mm (magasság) x 315 mm (szélesség) x 297 mm (mélység)
A sütő térfogata:	20Litres
Nettó tömeg:	Kb.11,3kg

TERMÉK RÉSZEI

1. Biztonsági ajtózárs-rendszer
2. Sütőablak
3. Szár
4. Görgős gyűrű
5. Kezelőpanel
6. Hullámterelő
(Ne távolítsa el a hullámterelőt borító mica lemezt)
7. Üvegtányér
8. Grillmelegítő
9. Fémrács



KAPCSOLÓLAP



● MENÜ MŰVELETI KÉPERNYŐ

Megjelenik a sütési idő, a teljesítmény és a művelet kijelzője.

● TELJESÍTMÉNY

Nyomja meg a mikrohullámú sütés teljesítményszintjének beállításához.

● SÚLY BEÁLLÍTÁSA

Nyomja meg az étel súlyához vagy az adagokhoz.

● GRILL

Grill sütési program beállításához nyomja meg.

● COMBINATION

Kombinált sütési program beállításához nyomja meg.

● AUTO DEFROST Auto

Nyomja meg egyszer az időalapú kiolvasztáshoz. Nyomja meg kétszer a súlyalapú kiolvasztáshoz.

● CLOCK

Nyomja meg a pontos idő beállításához.

● MENU/TIME (tárcsa)

Forgassa el a tárcsát az idő beállításához.

Forgassa el a tárcsát az automatikus sütési menük kiválasztásához.

● PAUSE/CANCEL Cancel


Nyomja meg egyszer a sütés ideiglenes abbahagyásához, vagy kétszer a sütés teljes törléséhez.

● START/QUICK START Quick Start

Nyomja meg a kiolvasztási vagy főzőprogramok indításához.

Egyszerűen nyomja meg többször a sütési idő beállításához, és azonnal teljes teljesítménnyel főzhet.

KEZELÉSI UTASÍTÁS

- Amikor először csatlakoztatja a készüléket az elektromos hálózathoz, a kijelzőn megjelenik a következő: "1:01" és .
- A beállítás folyamatának 25 másodperces megszakítása esetén a sütő visszatér készenléti üzemmódba.
- Ha sütés közben egyszer megnyomja a PAUSE/CANCEL gombot, a program szünetel, a folytatáshoz nyomja meg a START/QUICK START gombot. Ha azonban kétszer nyomja meg a PAUSE/CANCEL gombot, a program törlődik.
- A sütés befejeztével a kijelzőn megjelenik az End felirat, és kétpercenként sípoló hang hallatszik, amíg a felhasználó meg nem nyomja a PAUSE/CANCEL gombot, vagy ki nem nyitja az ajtót.
- Ha működés közben megnyom egy érvényes gombot, a csengő egyszer csenget, de ha érvénytelen gombot nyom meg, a csengő kétszer csenget.
- A mikrohullámú sütő elektromos vezérlőrendszere rendelkezik hűtési funkcióval. Bármely, 2 percnél hosszabb sütési mód esetében a sütés befejeztével nyissa ki a sütőajtót, vagy ha a sütési programot szünetelteti, a sütőventilátor körülbelül 3 percre működésbe lép a sütő lehűtésére, ezzel is növelve a sütő élettartamát.
- Vigyázat!- A hűtőventilátor körülbelül 3 percig automatikusan működésbe lép, ha a főzést az idő 2 percnél hosszabb.

A PONTOS IDŐ BEÁLLÍTÁSA

Ez egy 12 és 24 órás formátumú óra. Készenléti módban megnyomva a CLOCK gombot beállíthatja a pontos időt 12 vagy 24 órás formátumban.

1. Készenléti üzemmódban nyomja meg többször a CLOCK gombot a 12 órás vagy a 24 órás formátum kiválasztásához.
2. Forgassa el a MENU/TIME tárcsát az óra értékének beállításához.
3. Nyomja le egyszer CLOCK gombot.
4. Forgassa el a MENU/TIME tárcsát a perc értékének beállításához.
5. A nyugtázáshoz nyomja meg a CLOCK gombot.

MEGJEGYZÉS: Sütés közben a CLOCK gomb megnyomásával ellenőrizheti a pontos időt.

EXPRESSZ SÜTÉS

Ezzel a funkcióval a sütőt beprogramozhatja az ételek 100% mikrohullám-teljesítménnyel való kényelmes sütésére. Készenléti módban nyomja meg többször a START/QUICK START gombot (minden nyomás 30 másodperccel növeli az időt, egészen 10 percig), a sütő automatikusan maximális teljesítménnyel kezd működni.

MIKROHULLÁMÚ SÜTÉS

1. Készenléti módban nyomja meg többször a POWER gombot a teljesítményszint

kiválasztásához.

2. Forgassa el a MENU/TIME tárcsát az óramutató járásának megfelelően a sütési időtartam megadásához. A leghosszabb időtartam 95 perc.
3. A jóváhagyáshoz nyomja meg a START/QUICK START gombot.

Nyomja meg a POWER gombot a teljesítményszint kijelzéséhez:

Nyomja meg a POWER gombot	Teljesítmény (kijelzés)	Nyomja meg a POWER gombot	Teljesítmény (kijelzés)
Egyszer	100% (100)	Hétszer	40% (40)
Kétszer	90% (90)	Nyolcszor	30% (30)
Háromszor	80% (80)	Kilencszer	20% (20)
Négyszer	70% (70)	Tízszer	10% (10)
Ötször	60% (60)	Tizenegyszer	00% (00)
Hatszor	50% (50)		

MEGJEGYZÉS: Sütés közben a POWER gomb megnyomásával ellenőrizheti a sütési teljesítményszintet.

IDŐZÍTETT KIOLVASZTÁS

1. Készletléti módban nyomja meg egyszer AUTO DEFROST gombot.
2. Forgassa el a MENU/TIME tárcsát a kiolvasztási idő megadásához. A leghosszabb időtartam 95 perc.
3. A jóváhagyáshoz nyomja meg a START/QUICK START gombot.

MEGJEGYZÉS: A Leolvasztás időtartama alatt a rendszer szünetet tart, és hangjelzéssel figyelmezteti a felhasználót az étel megfordítására. Ezután nyomja meg a START/QUICK START gombot a folytatáshoz.

AUTOMATA KIOLVASZTÁS

A rendszer automatikusan megadja a kiolvasztási időt és a teljesítményszintet az étel súlyának beprogramozása után. A fagyasztott étel súlya 100 g-tól 1800 g-ig terjedhet.

1. Készletléti módban nyomja meg kétszer az AUTO DEFROST gombot.
2. Nyomja meg többször a WEIGHT ADJUST gombot az étel súlyának kiválasztásához.
3. A jóváhagyáshoz nyomja meg a START/QUICK START gombot.

MEGJEGYZÉS: A Leolvasztás időtartama alatt a rendszer szünetet tart, és hangjelzéssel figyelmezteti a felhasználót az étel megfordítására. Ezután nyomja meg a START/QUICK START gombot a folytatáshoz.

GRILL

A grillsütés különösen hasznos vékony hússzeletek, steak, borda, kebab, kolbász és

csirkedarabok esetén. Melegszendvics és csőben sült elkészítésére is alkalmas.

1. Készenléti módban nyomja meg egyszer a GRILL gombot.
2. Forgassa el MENU/TIME tárcsát a sütési időtartam megadásához. A leghosszabb időtartam 95 perc.
3. A jóváhagyáshoz nyomja meg a START/QUICK START gombot.

KOMBINÁCIÓS FUNKCIÓ

A grill tovább működik, mint a mikrohullám az 1. kombinált sütési módban, használja halhoz és csőben sültetekhez. A mikrohullám azonban hosszabb ideig működik, mint a grill a 2. kombinált sütési módban, használja pudinghoz, omeletthez, sült burgonyához és szárnyashoz.

1. Készenléti módban nyomja meg egyszer vagy kétszer a COMBINATION gombot a „Co-1” vagy „Co-2” beállításához.
2. Forgassa el MENU/TIME tárcsát a sütési időtartam megadásához. A leghosszabb időtartam 95 perc.
3. A jóváhagyáshoz nyomja meg a START/QUICK START gombot.

AUTOMATA TISZTÍTÁS

Tegyen egy tálban 300 g vizet a sütőbe, és csukja be a sütőajtót.

1. Készenléti módban forgassa el a MENU/TIME tárcsát az óramutató járásával ellentétes irányba egyszer, majd forgassa addig, amíg a “A-19” és “AUTO” meg nem jelenik a kijelzőn.
2. Nyomja meg egyszer WEIGHT ADJUST gombot.
3. Nyomja meg a START/QUICK START gombot az indításhoz.

MEGJEGYZÉS: A tisztítás időtartama 10 perc.

GYERMEKZÁR

Megakadályozza, hogy kisgyermek véletlenül bekapcsolja a készüléket.

A gyermekzár bekapcsolása: Készenléti módban, ha egy percen belül nem hajt végre semmilyen műveletet, a sütő automatikusan gyermekzár módba lép, és a zár jelzőlámpája bekapcsol. Lezárt állapotban minden gomb zárolva van.

Törlés: Gyermekzár módban nyissa ki vagy csukja be a sütőajtót a program törléséhez, ekkor a zár jelzőlámpája kikapcsol.

AUTOMATIKUS SÜTÉS

Egyes ételekhez vagy a következő sütési módhoz nem szükséges a sütési idő és teljesítmény beprogramozása. Meg kell viszont adni a sütni kívánt étel típusát, illetve az étel súlyát vagy adagjait.

1. Készenléti módban forgassa a MENU/TIME tárcsát az óramutató járásával ellentétes irányban az étel kódjának kiválasztásához.
2. Nyomja meg többször a WEIGHT ADJUST gombot az étel súlyának vagy adagjainak

kiválasztásához.

3. A jóváhagyáshoz nyomja meg a START/QUICK START gombot.

AUTOMATIKUS SÜTÉSI MENÜK:

Kód	Étel	Súly/mennyiség	Megjegyzés
A-01	Tej/kávé/tea (200 ml/csésze)	1 csésze	A kijelzőn az étel súlya helyett az adagok jelennek meg
		2 csésze	
		3 csésze	
A-02	Spagetti	100g	
		200g	
		300g	
A-03	Burgonya	100g	
		200g	
		300g	
A-04	Automatikus felmelegítés	200g	
		300g	
		400g	
		500g	
		600g	
		700g	
		800g	
A-05	Hal	200g	
		300g	
		400g	
		500g	
		600g	
A-06	Pattogatott kukorica	100g	
A-07	Csirke	800g	A sütés időtartama alatt a sütő szünetet tart, és hangjelzéssel figyelmezteti a felhasználót az étel megfordítására. Ezután nyomja meg a START/QUICK START gombot a folytatáshoz
		1000g	
		1200g	
		1400g	
A-08	Marha-/báránypus	200g	
		300g	
		400g	
		500g	
		600g	
A-09	Nyáron sült hús	100g	A sütés időtartama alatt a sütő szünetet tart, és hangjelzéssel
		200g	
		300g	

		400g	figyelmezteti a felhasználót az étel megfordítására. Ezután nyomja meg a START/QUICK START gombot a folytatáshoz
		500g	
A-10	Leves	1	200 g/adag
		2	
		3	
A-11	Zabkása	50g	
		100g	
		150g	
A-12	Friss zöldség	200g	
		300g	
		400g	
		500g	
		600g	
A-13	Fagyasztott zöldség	200g	
		300g	
		400g	
		500g	
		600g	
A-14	Rizs	150g	
		300g	
		450g	
		600g	
A-15	Pizza	150g	
		300g	
		450g	
A-16	Grillezett hal	200g	A sütés időtartama alatt a sütő szünetet tart, és hangjelzéssel figyelmezteti a felhasználót az étel megfordítására. Ezután nyomja meg a START/QUICK START gombot a folytatáshoz
		300g	
		400g	
		500g	
		600g	
A-17	Grillezett szalonna	100g	
		200g	
		300g	
A-18	Kolbász	100g	A sütés időtartama alatt a sütő szünetet tart, és hangjelzéssel figyelmezteti a felhasználót az étel megfordítására. Ezután nyomja meg a
		200g	
		300g	
		400g	
		500g	

			START/QUICK START gombot a folytatáshoz
A-19	Automata tisztítás/(a teljesítmény a sütőtér teljes felületének vízzel való bepermetezése)		

Az automatikus sütés eredménye több tényezőtől függ, például az étel alakjától és méretétől, az Ön ízlésétől, illetve bizonyos ételek elkészítésének mértékétől, valamint attól, hogy hogyan helyezi el az ételt a sütőben. Ha bármikor nem tartja kielégítőnek az eredményt, módosítson egy kicsit a sütési időn.

A KÉSZÜLÉK TISZTÍTÁSA ÉS GONDOZÁSA

1. Tisztítás előtt kapcsolja ki a sütőt és húzza ki a kábelt a fali csatlakozóaljzatból.
2. Tartsa tisztán a gép belsejét. A sütő falaira felfreccsent étel- és folyadékmaradványokat törölje le nedves ruhával. Ha nagyon szennyes a sütő, akkor enyhe mosogatószer is használható. Ne használjon zsíroló sprayket vagy más, maró hatású anyagokat. A felület ezek miatt foltos, csíkos vagy fénytelen lehet.
3. A sütő külső felületeit nedves ruhával kell tisztítani. A sütőn belüli működő részek károsodásának elkerülése érdekében nem szivároghat víz a szellőzőnyílásokba.
4. A kilötyt és a kifröccsent ételmaradványok eltávolítása céljából törölje le gyakran az ajtó és az ablak mindkét oldalát nedves ruhával. Ne használjon dörzsölő hatású tisztítószert.
5. A gőztisztító eszközök használatát kerülje.
6. Vigyázzon, hogy ne legyen nedves a kapcsolólap. Tisztítsa meg puha, nedves ruhával. A kapcsolólap tisztításakor hagyja nyitva az ajtót, nehogy véletlenül bekapcsolódjon a készülék.
7. Ha pára képződik a sütőajtó belső vagy külső részén, akkor törölje le puha ruhával. Ez akkor fordulhat elő, ha a mikrohullámú sütő nagyon párás körülmények között működik. Ez normális jelenség.
8. Időnként az üvegtányért is ki kell venni tisztítás céljából. Az üvegtányér meleg, szappanos vízben vagy mosogatógépben mosható el.
9. A görgős gyűrűt és a sütő alját rendszeresen tisztítani kell a túlzott zörejek elkerülése céljából. Egyszerűen csak törölje át a sütő alsó felületét enyhe mosogatószerrel. A görgős gyűrűt enyhén, szappanos vízben vagy mosogatógépben mosható el. A görgős gyűrű visszahelyezésekor ügyeljen a gyűrű megfelelő helyzetére.
10. A sütőben lévő szagok úgy szüntethetők meg, hogy egy pohár vizet és egy citrom levét és héját egy mikrohullámmal használható edénybe teszi, és 5 percen keresztül mikrohullámmal melegíti. Puha ruhával törölje szárazra a sütő belsejét.

11. Ha az izzó kiég, forduljon az ügyfélszolgálathoz, hogy kicseréljék.
12. A sütőt rendszeresen kell tisztítani, és az étellerakódásokat el kell távolítani. A sütő tisztántartásának elmulasztása felület elhasználódásához vezethet, ami kedvezőtlenül befolyásolhatja az egység élettartamát, és veszélyes helyzetet idézhet elő.
13. Kérjük, ne tegye a készüléket háztartási hulladék-gyűjtő tartályba. A készüléket az önkormányzatok által rendelkezésre bocsátott speciális lerakóhelyekre kell szállítani.
14. A mikrohullám és a grill funkció első használatakor enyhe szag és füst keletkezhet. Ez normál jelenség, mivel a sütő acéllemezét kenőolaj borítja, így az új sütőben füst és szag képződik, ahogy a kenőolaj elég. Ez a jelenség néhány használat után eltűnik.



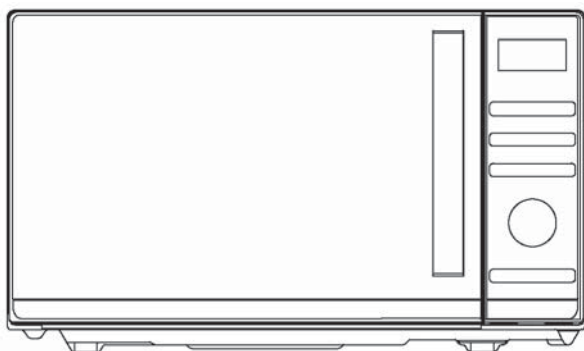
A készülék jelölése megfelel az elektromos és elektronikus berendezések hulladékairól szóló 2012/19/EK európai irányelvnek (Waste Electrical and Electronic Equipment Regulations 2013 – WEEE). Az elektromos és az elektronikus berendezések hulladékai (a környezetre kedvezőtlen következményekkel járó) szennyezőanyagokat és (újrahasznosítható) alapszervevényeket tartalmaznak. Fontos, hogy az elektromos és az elektronikus berendezések hulladékai különleges kezelésben részesüljenek a szennyezőanyagok megfelelő eltávolítása és elhelyezése, és minden anyag visszanyerése érdekében. Az emberek fontos szerepet játszhatnak annak biztosításában, hogy az

elektromos és az elektronikus berendezések hulladékai ne váljanak környezeti problémává. Nagyon fontos néhány alapvető szabály betartása:

- az elektromos és az elektronikus berendezések hulladékai nem kezelhetők háztartási hulladékként;
- az elektromos és az elektronikus berendezések hulladékait az önkormányzat vagy az arra kijelölt vállalat kezelésében álló megfelelő gyűjtőhelyeken kell leadni.

Sok országban az elektromos és az elektronikus berendezések nagyméretű hulladékait a lakásokból és az otthonokból gyűjtik be. Új készülék vásárlása esetén a régit visszaadhatjuk a kiskereskedőnek, akinek egyedileg kell azt díjmentesen átvennie, ha a berendezés típusa és funkciója azonos a leszállított berendezés típusával és funkciójával.

Navodila za uporabo mikrovalovne pečice



Model: CMGA20TNDB

Pred namestitvijo in uporabo pečice natančno preberite ta navodila.

Haier Europe <small>CANDY</small> <small>Haier</small>	PT 707 200 188 210 010 773	IT 02 400 48 200	ES 902 100 150 943 914 150	DE 0800 500 48 48
BE LU 02 752 94 10	NL 33 422 4000	AT 0820 220 224	GR 801 11 50 50 50	CH 0848 780 780

70017948

VSEBINA

VSEBINA	1
PREVIDNOSTNI UKREPI ZA PREPREČEVANJE MOREBITNE IZPOSTAVLJENOSTI PREKOMERNI MIKROVALOVNI ENERGIJI	2
POMEMBNA VARNOSTNA NAVODILA	2
VODNIK ZA NAMESTITEV	5
NAVODILA ZA OZEMLJITEV	5
RADIJSKE MOTNJE	6
PRED KLICEM ZA SERVIS	6
TEHNIKE KUHANJA	7
VODNIK ZA KUHINJSKE PRIPOMOČKE	7
SPECIFIKACIJE	8
PRIKAZ IZDELKA	8
UPRAVLJANA PLOŠČA	9
NAVODILA ZA UPORABO	10
NASTAVITEV URE.....	10
EKSPRESNO KUHANJE	10
PRIPRAVA HRANE V MIKROVALOVNI PEČICI	10
ČAS ODTAJANJA	11
ODTAJANJE GLEDE NA TEŽO	11
ŽAR	11
KOMBINACIJA.....	12
SAMODEJNO ČIŠČENJE (SPADA K MENIJU SAMODEJNO KUHANJE)	12
VARNOSTNI ZAKLEP	12
SAMODEJNO KUHANJE.....	12
ČIŠČENJE IN NEGA	15

PREVIDNOSTNI UKREPI ZA PREPREČEVANJE MOREBITNE IZPOSTAVLJENOSTI PREKOMERNI MIKROVALOVNI ENERGIJI

1. Pečice ne poskušajte upravljati pri odprtih vratih, saj lahko delovanje pri odprtih vratih povzroči škodljivo izpostavljenost mikrovalovni energiji. Pomembno je, da varnostni zapor ne odklopite ali spreminjate.
2. Med sprednjo stran pečice in vrata ne postavljajte predmetov in ne dovolite, da bi se na tesnilnih površinah kopičili ostanki zemlje ali čistil.
3. Pečice ne uporabljajte, če je poškodovana. Zelo pomembno je, da se vrata pečice pravilno zapirajo in da ni poškodb na
 - a) vratih (vključno s krivinami),
 - b) tečajih in zapahi (zlomljeni ali ohlapni),
 - c) tesnilih vrat in tesnilnih površinah.
4. Pečice ne sme nastavljati ali popravljati nihče razen usposobljenega servisnega osebja.

POMEMBNA VARNOSTNA NAVODILA

Pri uporabi električne naprave je treba upoštevati osnovne varnostne ukrepe, vključno z naslednjim:

OPOZORILO! Za zmanjšanje tveganja opeklin, električnega udara, požara, poškodb oseb ali izpostavljenosti prekomerni mikrovalovni energiji:

1. Pred uporabo naprave preberite vsa navodila in jih shranite za poznejšo uporabo.
2. Napravo uporabljajte samo za predvideno uporabo, kot je opisano v tem priročniku. V tej napravi ne uporabljajte jedkih kemikalij ali hlapov. Ta vrsta pečice je posebej zasnovana za segrevanje, kuhanje ali sušenje hrane. Ni namenjena industrijski ali laboratorijski uporabi.
3. Pečice ne uporabljajte, ko je prazna.
4. Naprave ne uporabljajte, če ima poškodovan kabel ali vtič, če ne deluje pravilno ali če je poškodovana ali je padla na tla. Če je priključni kabel poškodovan, morate preprečiti morebitna tveganja, zato ga sme nadomestiti samo proizvajalec, njegov servisni agent ali drug kvalificiran serviser.
5. **OPOZORILO!** Otroci lahko pečico uporabljajo brez nadzora samo, če so jim bila podana ustrezna navodila in lahko pečico uporabljajo na varen način ter razumejo nevarnosti nepravilne uporabe.

6. **OPOZORILO!** Ko naprava deluje v kombiniranem načinu, naj zaradi nastalih temperatur otroci pečico uporabljajo le pod nadzorom odrasle osebe.
7. Za zmanjšanje tveganja požara v notranjem prostoru pečice:
 - Pri segrevanju hrane v plastični ali papirnati posodi bodite pozorni zaradi možnosti vžiga.
 - Preden papirnato ali plastično vrečko postavite v pečico, z nje odstranite vezice.
 - Če opazite dim, izklopite ali odklopite napravo, vrata pa naj ostanejo zaprta, da se ogenj zaduši.
 - Notranjega prostora ne uporabljajte za shranjevanje. Ne puščajte papirnatih izdelkov, kuhinjskih pripomočkov ali hrane v notranjem prostoru, ko pečice ne uporabljate.
 - Mikrovalovna pečica je namenjena segrevanju hrane in pijač. Sušenje oblačil in segrevanje grelnih blazinic, copat, gobic, vlažnih krp in podobno lahko povzroči nevarnost poškodb, vžiga ali požara.
8. **OPOZORILO!** Tekočih ali drugih živil ne smete segreti v zaprtih posodah, ker lahko eksplodirajo.
9. Mikrovalovno segrevanje pijače lahko povzroči zapoznelo eruptivno vrenje, zato morate biti pri ravnanju s posodo previdni.
10. Pečice ne uporabljajte za cvrtje hrane. Vroče olje lahko poškoduje dele in pribor pečice ter celo povzroči opekline kože.
11. Jajc v lupini in celih trdo kuhanih jajc se v mikrovalovnih pečicah ne sme segreti, saj lahko eksplodirajo tudi po koncu mikrovalovnega segrevanja.
12. Pred kuhanjem živila s trdim olupkom, kot so krompir, cele buče, jabolka in kostanje, preluknjajte.
13. Vsebino steklenic za hranjenje in kozarcev za dojenčke je treba premešati ali pretresti in pred serviranjem preveriti temperaturo, da preprečite opekline.
14. Pribor za kuhanje lahko zaradi visokih temperatur, ki se prenese s segrete hrane, postane vroč. Za rokovanje s priborom boste morda potrebovali kuhinjska držala.
15. Preverite, ali je pribor primeren za uporabo v mikrovalovni pečici.
16. **OPOZORILO!** Izvajanje kakršnih koli servisov ali popravil, ki vključujejo odstranjevanje kakršnega koli pokrova, ki zagotavlja zaščito pred izpostavljenostjo mikrovalovni energiji, je nevarno za vse osebe, ki niso usposobljene za to delo.
17. Ta mikrovalovna pečica je skladna s standardom EN 55011/CISPR 11, v tem standardu spada v razvrstitev skupine 2 razreda B. Oprema skupine 2: skupina 2 vsebuje vso opremo ISM RF, v kateri se namerno proizvaja in uporablja radiofrekvenčna energija v frekvenčnem območju od 9 kHz do 400 GHz, ali se uporablja samo lokalno, v obliki elektromagnetnega sevanja, induktivne in/ali kapacitivne priklope, za obdelavo materiala, za namene pregleda/analize ali za prenos elektromagnetne energije. Oprema razreda B je oprema, primerna za uporabo na lokacijah v stanovanjskih okoljih in

ustanovah, neposredno povezanih z nizkonapetostnim napajalnim omrežjem, ki oskrbuje stavbe za gospodinjske namene.

18. Naprava ni namenjena uporabi s strani oseb (vključno z otroki) z zmanjšanimi fizičnimi, senzoričnimi ali mentalnimi sposobnostmi ali oseb brez izkušenj in znanja, razen če jih oseba, odgovorna za njihovo varnost, nadzira ali pouči o uporabi naprave.
19. Otroci morajo biti pod nadzorom, da preprečite, da bi se igrali z napravo.
20. Mikrovalovna pečica se uporablja samo v prostostoječem stanju.
21. **OPOZORILO!** Pečice ne nameščajte na kuhalno ploščo ali drugo napravo, ki proizvaja toploto. Takšna namestitvev bi lahko povzročila poškodbe in garancija ne bi veljala.
22. Mikrovalovne pečice ne smete namestiti v omarico.
23. Med delovanjem naprave se lahko vrata ali zunanja površina segreje.
24. **OPOZORILO!** Dostopni deli se lahko med uporabo segrejejo. Majhni otroci naj se zadržujejo stran od naprave.
25. Med uporabo se naprava segreje. Pazite, da se ne dotikate grelnih elementov v notranjosti pečice.
26. Temperatura dostopnih površin je lahko med delovanjem naprave visoka.
27. Naprave ne smejo uporabljati otroci ali osebe z zmanjšanimi fizičnimi, senzoričnimi ali mentalnimi sposobnostmi ali osebe, ki nimajo dovolj izkušenj in znanja, razen pod nadzorom ali če so bile dobro poučene.
28. **OPOZORILO!** Če so vrata ali tesnila vrat poškodovana, pečice ne smete uporabljati, dokler je ne popravi pristojna oseba.
29. Naprava ni predvidena za delovanje z zunanjim časovnikom ali ločenim sistemom za daljinsko upravljanje.
30. Mikrovalovna pečica je namenjena samo gospodinjski uporabi in ne komercialni uporabi.
31. Nikoli ne odstranite držala za razdaljo zadaj ali ob straneh, saj zagotavlja najmanjšo razdaljo od stene, ki še omogoča kroženje zraka.
32. Pred premikanjem naprave zavarujte vrtljivi podstavek, da se izognete poškodbam.
33. **POZOR!** Napravo lahko popravi ali vzdržuje samo strokovnjak, saj je treba v tem primeru odstraniti pokrov, ki zagotavlja zaščito pred mikrovalovnim sevanjem, kar je nevarno. To velja tudi za menjavo napajalnega kabla ali osvetlitve. Napravo v teh primerih pošljite v naš servisni center.
34. Mikrovalovna pečica je namenjena samo odmrzovanju, kuhanju in parjenju hrane.
35. Pri odstranjevanju segrete hrane uporabite rokavice.
36. Pozor! Pri odpiranju pokrovov ali zavijanju folije bo uhajala para.
37. To napravo lahko uporabljajo otroci, starejši od 8 let, ter osebe z zmanjšanimi fizičnimi, senzoričnimi ali umskimi zmožnostmi ali s pomanjkanjem izkušenj in znanja, pod ustreznim nadzorom, ali če imajo navodila za varno uporabo naprave ter če razumejo s tem povezana tveganja. Otroci naj se z aparatom ne igrajo. Otroci

ne smejo izvajati čiščenja in vzdrževanja naprave, razen če so stari več kot 8 let in so pod nadzorom.

38. Če opazite dim, izklopite ali odklopite napravo, vrata pa naj ostanejo zaprta, da se ogenj zaduši.

VODNIK ZA NAMESTITEV

1. Prepričajte se, da ste iz notranjosti odstranili vso embalažo.
2. **OPOZORILO!** Preverite, ali je pečica kakor koli poškodovana, na primer napačno poravnana ali upognjena vrata, poškodovana tesnila vrat in tesnilna površina, zlomljeni ali ohlapni tečaji vrat ter zapahi in vdolbine v notranjosti pečice ali na vratih. Če opazite poškodbe, pečice ne uporabljajte in se obrnite na usposobljeno servisno osebje.
3. To mikrovalovno pečico je treba postaviti na ravno, stabilno površino, ki lahko drži njeno težo in najtežjo hrano, ki se bo verjetno kuhala v pečici.
4. Pečice ne postavljajte na mesto, kjer nastajajo toplota, vlaga ali visoka vlažnost, ali v bližino gorljivih materialov.
5. Za pravilno delovanje mora imeti pečica zadosten pretok zraka. Nad zgornjo površino pečice naj bo vsaj 20 cm prostora, na vsaki strani pa 5 cm. Zadnjo ploščo mikrovalovne pečice postavite blizu stene. Ne prekrivajte ali zamašite odprtin na napravi. Ne odstranjujte nog.
6. Pečice ne uporabljajte brez steklenega pladnja, podpore valja in gredi v ustreznih položajih.
7. Prepričajte se, da napajalni kabel ni poškodovan in ne teče pod pečico ali čez vročo ali ostro površino.
8. Vtičnica mora biti zlahka dostopna, tako da je kabel mogoče v nujnih primerih enostavno odklopiti.
9. Pečice ne uporabljajte na prostem.

NAVODILA ZA OZEMLJITEV

Naprava mora biti ustrezno ozemljena. Ta pečica je opremljena s kablom, ki ima ozemljitveno žico z ozemljitvenim priključkom. Priključiti ga je treba v stensko vtičnico, ki je pravilno nameščena in ozemljena. V primeru kratkega električnega stika ozemljitev zmanjša tveganje električnega udara, saj zagotavlja izhodne žice za električni tok. Priporočljivo je, da se zagotovi ločeno vezje, ki je namenjeno samo pečici. Uporaba visoke napetosti je nevarna in lahko povzroči požar ali drugo nesrečo, ki povzroči poškodbe pečice.

OPOZORILO! Nepravilna uporaba ozemljitvenega priključka lahko povzroči električni šok.

Opomba:

1. Če imate kakršna koli vprašanja o ozemljitvi ali električnih navodilih, se posvetujte z usposobljenim električarjem ali serviserjem.
2. Proizvajalec in trgovec nista odgovorna za poškodbe pečice ali telesne poškodbe, ki so posledica neupoštevanja postopkov električne priključitve.

Žice v glavnem kablu so obarvane v skladu z naslednjimi oznakami:

Zelena in rumena = OZEMLJITEV

Modra = NEVTRALNO

Rjava = POD NAPETOSTJO

RADIJSKE MOTNJE

Delovanje mikrovalovne pečice lahko povzroči motnje na radiu, televiziji ali podobni opremi. Motnje je mogoče zmanjšati ali odpraviti z naslednjimi ukrepi:

1. Očistite vrata in tesnilno površino pečice.
2. Preusmerite sprejemno anteno radia ali televizije.
3. Premaknite mikrovalovno pečico glede na sprejemnik.
4. Premaknite mikrovalovno pečico stran od sprejemnika.
5. Mikrovalovno pečico priključite v drugo vtičnico, tako da sta mikrovalovna pečica in sprejemnik na različnih tokokrogih.

PRED KLICEM ZA SERVIS

Preden zaprosite za servis, preverite vsak spodnji element:

- Preverite, ali je pečica varno priključena. Če ni, izvlecite vtič iz vtičnice, počakajte 10 sekund in ga ponovno varno priključite.
- Preverite, ali je morda pregorela varovalka ali se je sprožil glavni odklopnik. Če se zdi, da oboje deluje pravilno, preizkusite vtičnico z drugo napravo.
- Preverite, ali je upravljalna plošča pravilno programirana in je nastavljen časovnik.
- Preverite, ali so vrata varno zaprta, pri čemer vklopite sistem zaklepanja vrat. Če vrata niso pravilno zaprta, energija iz mikrovalovne pečice ne bo tekla v notranjost.

ČE NIČ OD NAŠTETEGA NE POPRAVI SITUACIJE, SE OBRNITE NA USPOSOBLJENEGA TEHNIKA. PEČICE NE POSKUŠAJTE NASTAVITI ALI POPRAVITI SAMI.

TEHNIKE KUHANJA

1. Previdno razporedite hrano. Najdebelejše dele postavite na zunanjo stran posode.
2. Opazujte čas priprave jedi. Kuhajte najkrajši navedeni čas in po potrebi dodajte več časa. Hrana, ki je močno prekuhana, se lahko kadi ali vname.
3. Med kuhanjem živila pokrijte. Pokrovi preprečujejo škropljenje in pomagajo pri enakomernem kuhanju živil.
4. Med mikrovalovnim kuhanjem enkrat obrnite hrano, da pospešite pripravo živil, kot so piščančje meso in pleskavice. Velika živila, kot je pečenka, obrnite vsaj enkrat.
5. Prerazporedite živila, kot so mesne kroglice, na polovici kuhanja od zgoraj navzdol in od sredine posode navzven.

VODNIK ZA KUHINJSKE PRIPOMOČKE

1. Mikrovalovna pečica ne more prodreti skozi kovino. Uporabljajte samo pribor, ki je primeren za uporabo v mikrovalovnih pečicah. Med mikrovalovnim kuhanjem niso dovoljene kovinske posode za hrano in pijačo. Ta zahteva ne velja, če proizvajalec navede velikost in obliko kovinskih posod, primernih za mikrovalovno kuhanje.
 2. Mikrovalovna pečica ne more prodreti skozi kovino, zato ne smete uporabljati kovinskih pripomočkov ali posode s kovinsko oblogo.
 3. Pri mikrovalovnem kuhanju ne uporabljajte recikliranih izdelkov iz papirja, saj lahko vsebujejo majhne kovinske delce, ki lahko povzročijo iskre in/ali požar.
 4. Priporočamo okrogle/ovalne posode namesto kvadratnih/podolgovatih, saj se hrana v vogalih lahko razkuha.
 5. Če želite preprečiti, da bi se izpostavljeni deli prekuhali, lahko uporabite ozke trakove iz aluminijaste folije. Vendar pazite, da je ne uporabite preveč in ohranjajte razdaljo 1 palca (2,54 cm) med folijo in notranjostjo pečice.
- Spodnji seznam je splošni vodnik, ki vam lahko pomaga izbrati pravi pribor.

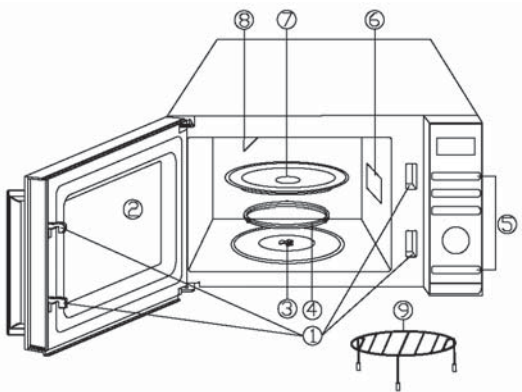
KUHINJSKA POSODA	MIKROVALOVNA PEČICA	ŽAR	KOMBINACIJA
Toplotno odporno steklo	Da	Da	Da
Steklo, ki ni odporno na toploto	Ne	Ne	Ne
Toplotno odporna keramika	Da	Da	Da
Plastična posoda, primerna za mikrovalovno pečico	Da	Ne	Ne
Kuhinjska papirnata brisača	Da	Ne	Ne
Kovinski pladenj	Ne	Da	Ne
Kovinsko stojalo	Ne	Da	Ne
Posode iz aluminijaste folije	Ne	Da	Ne

SPECIFIKACIJE

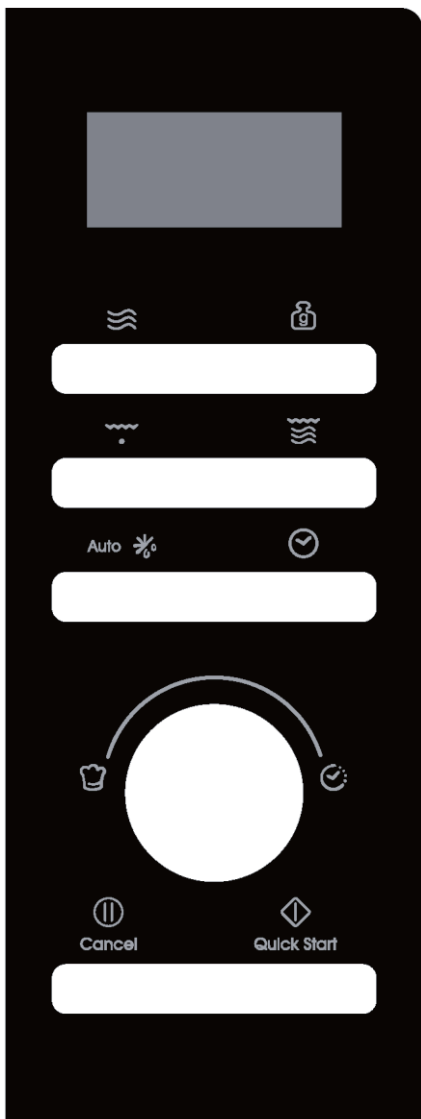
Poraba energije:	230-240 V/50 Hz, 1200 W (mikrovalovna pe ica) 900 W (žar)
Nazivna izhodna moč mikrovalovne pečice:	700 W
Frekvenca delovanja:	2450 MHz
Zunanje dimenzije:	262 mm (V) × 452 mm (Š) × 357 mm (D)
Dimenzije notranjosti pečice:	198 mm (V) × 315 mm (Š) × 297 mm (D)
Zmogljivost pečice:	20 litrov
Neto teža:	približno 11,3 kg

PRIKAZ IZDELKA

1. Varnostni sistem zaklepanja vrat
2. Okno pečice
3. Gred
4. Valjni obroč
5. Upravljalna plošča
6. Vodnik valovanja
(Ne odstranjajte plošče sljude, ki pokriva vodnik valovanja.)
7. Stekljeni pladenj
8. Grelnik žara
9. Kovinsko stojalo



UPRAVLJANA PLOŠČA



- **ZASLON Z MENIJEM DELOVANJA**

Prikazani so čas kuhanja, moč in kazalniki delovanja.

- **MOČ** 

Pritisnite za nastavitev stopnje moči mikrovalovne pečice.

- **NASTAVITEV TEŽE** 

Pritisnite, da nastavite težo hrane ali porcije.

- **ŽAR** 

Pritisnite za nastavitev programa peke na žaru.

- **KOMBINACIJA** 

Pritisnite za nastavitev kombiniranega programa.

- **SAMODEJNO ODTAJANJE Auto** 

Pritisnite enkrat, da hrano odtajate glede na čas. Pritisnite dvakrat, da hrano odtajate glede na težo.

- **URA** 

Pritisnite za nastavitev ure.

- **MENI/ČAS (stikalo)**  

Zavrtite gumb za nastavitev časa.

Zavrtite gumb za izbiro menija samodejnega kuhanja.

- **PREMOR/PREKLIC**  **Cancel**


Pritisnite enkrat za začasno prekinitev kuhanja ali dvakrat za popolno prekinitev kuhanja.

- **ZAČETEK/HITER ZAČETEK**  **Quick Start**

Pritisnite za začetek programov kuhanja in odtajanja.

Večkrat pritisnite, da nastavite čas kuhanja in takoj začnete s kuhanjem pri polni moči.

NAVODILA ZA UPORABO

- Ko pečico prvič priključite, boste zaslišali pisk, na zaslonu pa bo prikazano "1:01", 
- V postopku nastavitve, ki je prekinjen za približno 25 sekund, se bo pečica vrnila v stanje pripravljenosti.
- Če med kuhanjem enkrat pritisnete gumb za PREMOR/PREKLIC, bo program začasno ustavljen, nato pa pritisnete gumb ZAČETEK/HITER ZAČETEK za nadaljevanje. Če pa dvakrat pritisnete gumb za PREMOR/PREKLIC, bo program preklican.
- Po koncu kuhanja se bo na zaslonu prikazalo „End“ in vsaki dve minuti boste zaslišali pisk, dokler uporabnik ne pritisne gumba za PREMOR/PREKLIC ali odpre vrat.
- Če med delovanjem enkrat pritisnete ustrezen gumb, boste slišali en pisk, če pa pritisnete neustrezen gumb, boste zaslišali dva piska.
- Pozor!- Hladilni ventilator bo samodejno deloval približno 3 minute, ko kuhate čas je daljši od 2 minut.

NASTAVITEV URE

To je 12- in 24-urna ura, s pritiskom na gumb za URO v stanju pripravljenosti jo lahko nastavite na 12- ali 24-urni cikel.

1. V stanju pripravljenosti večkrat pritisnite gumb za URO, da izberete 12-urno ali 24-urno nastavitvev.
2. Obrnite stikalo za MENI/ČAS, da nastavite uro.
3. Enkrat pritisnite gumb za URO.
4. Obrnite stikalo za MENI/ČAS, da nastavite minute.
5. Za potrditev enkrat pritisnite gumb za URO.

OPOMBA: Med kuhanjem lahko trenutni čas ure preverite s pritiskom na gumb za URO.

EKSPRESNO KUHANJE

Uporabite to funkcijo, da programirate pečico na mikrovalovno pripravo s 100-odstotno močjo. V stanju pripravljenosti večkrat pritisnite gumb ZAČETEK/HITER ZAČETEK, da nastavite čas kuhanja (z vsakim pritiskom podaljšate za 30 sekund do 10 minut), in pečica bo začela samodejno delovati s polno močjo.

PRIPRAVA HRANE V MIKROVALOVNI PEČICI

1. V stanju pripravljenosti večkrat pritisnite gumb za VKLOP, da izberete raven moči.
2. Za nastavitvev časa kuhanja obrnite stikalo za MENI/ČAS v smeri urinega kazalca. Najdaljši čas je 95 minut.
3. Pritisnite gumb ZAČETEK/HITER ZAČETEK za potrditev.

Pritisnite gumb za VKLOP, da izberete raven moči:

Pritisnite gumb za VKLOP	Moč (prikaz)	Pritisnite gumb za VKLOP	Moč (prikaz)
Enkrat	100 % (100)	7-krat	40 % (40)
Dvakrat	90 % (90)	8-krat	30 % (30)
3-krat	80 % (80)	9-krat	20 % (20)
4-krat	70 % (70)	10-krat	10 % (10)
5-krat	60 % (60)	11-krat	0 % (00)
6-krat	50 % (50)		

OPOMBA: Med kuhanjem lahko preverite raven moči kuhanja s pritiskom na gumb za VKLOP.

ČAS ODTAJANJA

1. V stanju pripravljenosti enkrat pritisnite gumb za SAMODEJNO ODTAJANJE.
2. Za nastavitev časa odtajanja zavrtite stikalo za MENI/ČAS. Najdaljši čas je 95 minut.
3. Pritisnite gumb ZAČETEK/HITRI ZAČETEK za potrditev.

OPOMBA: Med odtajanjem se sistem ustavi in oglasi, da uporabnika opomni, naj hrano obrne, nato pa za nadaljevanje pritisnite gumb ZAČETEK/HITER ZAČETEK.

ODTAJANJE GLEDE NA TEŽO

Čas odtajanja in raven moči se samodejno nastavita, ko je programirana teža živila. Teža odtajanje hrane je od 100 g do 1800 g.

1. V stanju pripravljenosti dvakrat pritisnite gumb za SAMODEJNO ODTAJANJE.
2. Večkrat pritisnite gumb za NASTAVITEV TEŽE, da izberete težo živila.
3. Pritisnite gumb ZAČETEK/HITER ZAČETEK za potrditev.

OPOMBA: Med odtajanjem se sistem ustavi in oglasi, da uporabnika opomni, naj hrano obrne, nato pa za nadaljevanje pritisnite gumb ZAČETEK/HITER ZAČETEK.

ŽAR

Pečenje na žaru je še posebej uporabno za tanke rezine mesa, zrezke, kotlete, čevapčiče, klobase in kose piščanca. Primerno je tudi za tople sendviče in gratinirane jedi.

1. V stanju pripravljenosti enkrat pritisnite gumb za ŽAR.
2. Za nastavitev časa kuhanja zavrtite MENI/ČAS. Najdaljši čas je 95 minut.
3. Pritisnite gumb ZAČETEK/HITER ZAČETEK za potrditev.

KOMBINACIJA

Žar deluje več časa kot mikrovalovna pečica v kombiniranem načinu kuhanja 1, uporabite za ribe in gratiniranje. Mikrovalovna pečica deluje več časa kot žar v kombiniranem načinu kuhanja 2, uporabite za puding, omlete, pečen krompir in perutnino.

1. V stanju pripravljenosti enkrat ali dvakrat pritisnite gumb za KOMBINACIJO, da izberete „Co-1“ ali „Co-2“.
2. Za nastavitev časa kuhanja zavrtite stikalo za MENI/ČAS. Najdaljši čas je 95 minut.
3. Pritisnite gumb ZAČETEK/HITER ZAČETEK za potrditev.

SAMODEJNO ČIŠČENJE (spada k meniju SAMODEJNO KUHANJE)

V pečico postavite skledo s 300 g vode in zaprite vrata.

1. V stanju pripravljenosti enkrat zavrtite stikalo za MENI/ČAS v nasprotni smeri urinega kazalca in nato vrtite stikalo, dokler se na zaslonu ne prikaže „A-19“ in „AUTO“.
2. Enkrat pritisnite gumb za NASTAVITEV TEŽE.
3. Pritisnite gumb ZAČETEK/HITER ZAČETEK za začetek.

OPOMBA: Čiščenje traja 10 minut.

VARNOSTNI ZAKLEP

Uporabljajte za preprečevanje nenadzorovane uporabe pečice s strani otrok.

Za vstop v varnostni zaklep: Če v stanju pripravljenosti eno minuti ni delovanja, pečica samodejno vstopi v način varnostnega zaklepa za otroke in vklopi se lučka zaklepa.

V stanju zaklepa so vsi gumbi onemogočeni.

Če želite preklicati: V načinu varnostnega zaklepa odprite ali zaprite vrata pečice, da prekličete program in lučka zaklepa se bo izklopila.

SAMODEJNO KUHANJE

Za naslednji način kuhanja ni treba programirati časa in moči kuhanja. Zadostuje, da navedete vrsto hrane, ki jo želite skuhati, ter težo ali porcije te hrane.

1. V stanju pripravljenosti obrnite stikalo za MENI/ČAS v nasprotni smeri urinega kazalca, da izberete kodo hrane.
2. Večkrat pritisnite gumb za NASTAVITEV TEŽE, da izberete težo hrane ali porcije.
3. Pritisnite gumb ZAČETEK/HITER ZAČETEK za potrditev.

Meniji za samodejno kuhanje:

Koda	Živilo	Teža/količina	Opomba
A-01	Mleko/kava/čaj (200 ml/skodelico)	1 skodelica	Na zaslonu bo prikazano število porcij namesto teže hrane.
		2 skodelici	
		3 skodelice	
A-02	Špageti	100 g	
		200 g	
		300 g	
A-03	Krompir	100 g	
		200 g	
		300 g	
A-04	Samodejno pogrevanje	200 g	
		300 g	
		400 g	
		500 g	
		600 g	
		700 g	
		800 g	
A-05	Riba	200 g	
		300 g	
		400 g	
		500 g	
		600 g	
A-06	Kokice	100 g	
A-07	Piščanec	800 g	Med kuhanjem se pečica ustavi, da opomni uporabnika, naj hrano obrne, nato pa pritisnite gumb ZAČETEK/HITER ZAČETEK za nadaljevanje.
		1000 g	
		1200 g	
		1400 g	
A-08	Govedina/jagnjetina	200 g	
		300 g	
		400 g	
		500 g	
		600 g	
A-09	Kebab	100 g	Med kuhanjem se pečica ustavi, da opomni uporabnika, naj hrano obrne, nato pa pritisnite gumb ZAČETEK/HITER ZAČETEK za nadaljevanje.
		200 g	
		300 g	
		400 g	
		500 g	
A-10	Juha	1	200 g/porcija
		2	
		3	

A-11	Kaša	50 g	
		100 g	
		150 g	
A-12	Sveža zelenjava	200 g	
		300 g	
		400 g	
		500 g	
		600 g	
A-13	Zamrznjena zelenjava	200 g	
		300 g	
		400 g	
		500 g	
		600 g	
A-14	Riž	150 g	
		300 g	
		450 g	
		600 g	
A-15	Pica	150 g	
		300 g	
		450 g	
A-16	Riba na žaru	200 g	Med kuhanjem se pečica ustavi, da opomni uporabnika, naj hrano obrne, nato pa pritisnite gumb ZAČETEK/HITER ZAČETEK za nadaljevanje.
		300 g	
		400 g	
		500 g	
		600 g	
A-17	Slanina na žaru	100 g	
		200 g	
		300 g	
A-18	Klobase	100 g	Med kuhanjem se pečica ustavi, da opomni uporabnika, naj hrano obrne, nato pa pritisnite gumb ZAČETEK/HITER ZAČETEK za nadaljevanje.
		200 g	
		300 g	
		400 g	
		500 g	
A-19	Samodejno čiščenje/(delovanje bi bila kapljica vode v notranjosti pečice)		

Rezultat samodejnega kuhanja je odvisen od dejavnikov, kot so oblika in velikost živila, vaše osebne želje glede zapečenosti nekaterih živil in celo od tega, kako dobro postavite živila v pečico. Če ugotovite, da rezultat na določeni stopnji ni povsem zadovoljiv, ustrezno prilagodite čas kuhanja.

ČIŠČENJE IN NEGA

1. Med čiščenjem izklopite pečico in odklopite napajalni kabel iz stene.
2. Ohranajte notranjost pečice čisto. Če hrana ali tekočina poškrabi stene pečice in se nanjo prilepi, jih obrišite z vlažno krpo. Če je pečica zelo umazana, lahko uporabite blagi detergent. Izogibajte se uporabi sprejev ali drugih grobih čistil. Na površini vrat se lahko pojavijo madeži, črte ali potemnitev.
3. Zunanost pečice očistite z vlažno krpo. Da bi preprečili poškodbe delov v pečici, voda ne sme pronicati v prezračevalne odprtine.
4. Z vlažno krpo pogosto obrišite vrata in okno na obeh straneh, tesnila vrat in bližnje dele, da odstranite morebitne tekočine ali umazanijo. Ne uporabljajte jedkih čistil.
5. Ne uporabljajte parnega čistilnika.
6. Poskrbite, da upravljalna plošča ni nikoli mokra. Očistite jo z mehko, vlažno krpo. Pri čiščenju upravljalne plošče pustite vrata pečice odprta, da preprečite nenamerni vklop pečice.
7. Če se na notranji strani vrat ali okoli vrat na zunanji strani nabira para, jo obrišite z mehko krpo. To se lahko zgodi, če mikrovalovna pečica deluje v pogojih visoke vlažnosti. In to je običajno.
8. Občasno je treba odstraniti in očistiti stekleni pladenj. Pladenj operite v topli in milnati vodi ali v pomivalnem stroju.
9. Valjčni obroč in dno pečice je treba redno čistiti, da se izognete prekomernemu hrupu. Dno pečice preprosto obrišite z blagim detergentom. Valjčni obroč lahko operete v blagi milnati vodi ali v pomivalnem stroju. Po odstranitvi valjčnega obroča poskrbite, da ga ponovno namestite v pravi položaj.
10. Vonjave iz pečice odstranite tako, da v posodi, primerni za mikrovalovno pečico, skodelico vode zmešate s sokom in lupinico ene limone. Segrevajte 5 minut. Nato pečico temeljito obrišite in posušite z mehko krpo.
11. Če žarnica pregori, se za zamenjavo obrnite na službo za pomoč strankam.
12. Pečico je treba redno čistiti in odstranjevati morebitne ostanke hrane. Če pečice ne čistite redno, lahko pride do razkrajanja površine, ki lahko negativno vpliva na življenjsko dobo naprave in je lahko nevarno.
13. Naprave ne odlagajte v koš za gospodinjske odpadke, temveč jo odnesite v poseben center za odstranjevanje odpadkov v vaši občini.
14. Pri prvi uporabi mikrovalovne pečice s funkcijo žara lahko pride do rahlega dima in vonja. To je običajen pojav, saj je pečica narejena iz jeklene plošče, prevlečene z mazalnim oljem, zaradi česar nova pečica proizvaja hlape in neprijetne vonjave, ki nastanejo pri sežiganju mazalnega olja. Ta pojav bo po nekajkratni uporabi izginil.

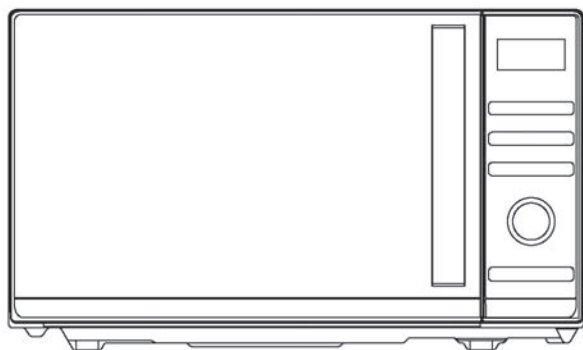


Ta naprava je označena v skladu z evropsko direktivo 2012/19/EU o odpadni električni in elektronski opremi iz leta 2013 (OEEO). OEEO vsebuje onesnaževalne snovi (ki lahko negativno vplivajo na okolje) in osnovne elemente (ki jih je mogoče ponovno uporabiti). Pomembno je, da je OEEO obdelana s posebnimi postopki za pravilno odstranjevanje in odlaganje onesnaževal ter predelavo vseh materialov. Posamezniki imajo lahko pomembno vlogo pri preprečevanju, da bi OEEO postala okoljska težava. Nujno je treba upoštevati nekatera temeljna pravila:

- z OEEO ne smete ravnati kot z gospodinjskimi odpadki.
- OEEO je treba odpeljati v posebne zbirne centre, ki jih upravlja mestni svet ali registrirano podjetje.












V številnih državah je lahko za veliko OEEO na voljo odvoz kosovnih odpadkov iz gospodinjstev. Ob nakupu novega aparata lahko starega oddate prodajalcu, ki ga je dolžan brezplačno prevzeti po načelu eden za enega, če je nova oprema enake vrste in ima enake funkcije kot stara.

Instrukcja obsługi kuchenki mikrofalowej



Model: CMGA20TNDB

Prosimy o dokładne zapoznanie się z niniejszą instrukcją przed instalacją i obsługą kuchenki.

Haier Europe Candy  Haier	PT  707 200 188 210 010 773	IT  02 400 48 200	ES  902 100 150 943 914 150	DE  0800 500 48 48
BE  LU  02 752 94 10	NL  33 422 4000	AT  0820 220 224	GR  801 11 50 50 50	CH  0848 780 780

70017948

SPIS TREŚCI

SPIS TREŚCI	1
ŚRODKI OSTROŻNOŚCI ZAPOBIEGAJĄCE NARAŻENIU NA NADMIERNE PROMIENIOWANIE ENERGII MIKROFALOWEJ	2
WAŻNE INSTRUKCJE DOTYCZĄCE BEZPIECZEŃSTWA	2
PRZEWODNIK INSTALACJI	5
INSTRUKCJE DOTYCZĄCE UZIEMIENIA	5
ZAKŁÓCENIA RADIOWE	6
ZANIM WEZWIESZ SERWIS	6
TECHNIKI GOTOWANIA	7
PRZEWODNIK PO NACZYNIACH DO GOTOWANIA	7
SPECYFIKACJA	8
SCHEMAT PRODUKTU	8
PANEL STEROWANIA	9
INSTRUKCJA OBSŁUGI	10
USTAWIANIE CZASU NA ZEGARZE	10
EKSPRESOWE GOTOWANIE	10
GOTOWANIE MIKROFALOWE	11
CZAS ROZMRAŻANIA	11
AUTOMATYCZNE ROZMRAŻANIE	11
GRILL	11
KOMBINACJA	12
AUTOMATYCZNE CZYSZCZENIE	12
BLOKADA RODZICIELSKA	12
AUTOMATYCZNE GOTOWANIE	12
CZYSZCZENIE I PIELEGNACJA	15

ŚRODKI OSTROŻNOŚCI ZAPOBIEGAJĄCE NARAŻENIU NA NADMIERNE PROMIENIOWANIE ENERGII MIKROFALOWEJ

1. Nie wolno obsługiwać kuchenki przy otwartych drzwiczkach, aby nie narażać się na szkodliwe napromieniowanie energią mikrofalową. Ważne jest, aby nie naruszyć blokad bezpieczeństwa ani nie manipulować nimi.
2. Nie umieszczać żadnych przedmiotów pomiędzy przednią ścianką a drzwiczkami, ani nie dopuszczać do gromadzenia się brudu lub pozostałości środków czyszczących na powierzchni uszczelki.
3. Jeśli urządzenie jest uszkodzone, nie wolno go podłączać. Bardzo ważne jest, aby drzwiczki kuchenki zamykały się prawidłowo i aby nie doszło do uszkodzenia, takich elementów jak
 - a) Drzwiczki (w tym wszelkie wygięcia),
 - b) Zawiasy i zatrzaski (złamanie lub poluzowanie),
 - c) Uszczelki drzwiczek i powierzchnie uszczelniające.
4. Kuchenka nie powinna być regulowana ani naprawiana przez nikogo poza wykwalifikowanym personelem serwisowym.

WAŻNE INSTRUKCJE DOTYCZĄCE BEZPIECZEŃSTWA

Podczas korzystania z urządzenia elektrycznego należy przestrzegać podstawowych zasad bezpieczeństwa, w tym następujących:

OSTRZEŻENIE! Aby zmniejszyć ryzyko oparzeń, porażenia prądem, pożaru, obrażeń osób lub narażenia na nadmierne działanie energii mikrofal:

1. Przeczytaj wszystkie instrukcje przed użyciem urządzenia i zachowaj je na przyszłość.
2. Używaj tego urządzenia tylko zgodnie z jego przeznaczeniem, zgodnie z opisem w instrukcji. Nie używaj w tym urządzeniu żrących chemikaliów ani oparów. Ten rodzaj kuchenki jest specjalnie zaprojektowany do podgrzewania, gotowania lub suszenia żywności. Nie jest przeznaczony do użytku komercyjnego ani przemysłowego.
3. Nie używać kuchenki, gdy jest pusta.
4. Nie używać tego urządzenia, jeśli ma uszkodzony przewód lub wtyczkę, nie działa prawidłowo albo zostało uszkodzone lub upuszczone. Jeśli kabel zasilający ulegnie uszkodzeniu, dla bezpieczeństwa należy zlecić jego wymianę producentowi, autoryzowanemu serwisowi lub osobom o podobnych kwalifikacjach.
5. **OSTRZEŻENIE!** --Zezwalaj dzieciom na korzystanie z kuchenki bez nadzoru wyłącznie po przekazaniu odpowiednich instrukcji umożliwiających im bezpieczne korzystanie z kuchenki i zrozumienie zagrożeń związanych z niewłaściwym użytkowaniem.

6. **OSTRZEŻENIE!**--Gdy urządzenie pracuje w trybie kombinowanym, dzieci powinny używać go tylko pod nadzorem osoby dorosłej ze względu na wytwarzaną temperaturę
7. Aby zmniejszyć ryzyko pożaru w komorze kuchenki:
 - Podczas podgrzewania żywności w plastikowym lub papierowym pojemniku nie należy pozostawiać kuchenki bez nadzoru ze względu na możliwość zapłonu.
 - Zdjąć druciane elementy z papierowych lub plastikowych torebek przed ich włożeniem do kuchenki mikrofalowej.
 - W przypadku dostrzeżenia dymu należy wyłączyć lub odłączyć od zasilania urządzenie i pozostawić zamknięte drzwiczki, aby zdławić płomień.
 - Nie używać komory kuchenki do przechowywania. Nie zostawiać produktów papierowych, przyborów kuchennych ani żywności w komorze, gdy nie jest używana.
 - Kuchenka mikrofalowa jest przeznaczona do podgrzewania potraw i napojów. Suszenie odzieży i podgrzewanie wkładów rozgrzewających, kapci, gąbek, wilgotnej ściereczki itp. może stwarzać ryzyko obrażeń, zapłonu lub pożaru.
8. **OSTRZEŻENIE!**--Nie wolno podgrzewać płynów ani innych produktów spożywczych w szczelnie zamkniętych pojemnikach, ponieważ mogą eksplodować.
9. Podgrzewanie mikrofalowe napojów może prowadzić do ich opóźnionego gwałtownego wrzenia, dlatego należy zachować ostrożność przy korzystaniu z pojemnika.
10. Nie smażyć żywności w kuchence. Gorący olej może uszkodzić części kuchenki i przybory kuchenne, a nawet spowodować oparzenia skóry.
11. W kuchenkach mikrofalowych nie należy podgrzewać jajek w skorupkach ani całych jajek ugotowanych na twardo, ponieważ mogą one eksplodować nawet po zakończeniu podgrzewania.
12. Przed gotowaniem nakłuć produkty z grubą skórką, takie jak ziemniaki, całe kabaczki, jabłka i kasztany.
13. Zawartość butelek i słoiczków z jedzeniem dla niemowląt należy wymieszać lub wstrząsnąć i sprawdzić temperaturę przed podaniem do spożycia, aby uniknąć poparzeń.
14. Przybory kuchenne mogą się nagrzewać z powodu ciepła przenoszonego z podgrzanej żywności. Do obsługi naczyń mogą być potrzebne uchwyty.
15. Należy sprawdzić, czy naczynia nadają się do użytku w kuchence mikrofalowej.
16. **OSTRZEŻENIE!**--Wszelkie naprawy i konserwacje wymagające zdjęcia pokrywy chroniącej przed narażeniem na promieniowanie mikrofalowe powinna przeprowadzać wyłącznie przeszkolona osoba, aby nie stwarzać niebezpieczeństwa.
17. Ta kuchenka mikrofalowa spełnia normę EN 55011/CISPR 11; zgodnie z tą normą należy do klasy B grupy 2. Urządzenia grupy 2: grupa 2 obejmuje wszystkie urządzenia ISM RF, w których energia o częstotliwości radiowej w zakresie od 9 kHz do 400 GHz jest celowo generowana i używana lub wykorzystywana tylko lokalnie, w postaci promieniowania elektromagnetycznego, sprzężenia indukcyjnego i/lub pojemnościowego, do obróbki materiału, do celów kontroli/analizy lub do przenoszenia energii elektromagnetycznej. Sprzęt klasy B jest odpowiedni do użytku

- w środowisku mieszkalnym oraz w zakładach bezpośrednio podłączonych do sieci niskiego napięcia, która zasila budynki wykorzystywane do celów mieszkaniowych.
18. To urządzenie nie może być użytkowane przez osoby (w tym dzieci) o ograniczonej sprawności fizycznej, czuciowej lub umysłowej ani przez osoby bez odpowiedniego doświadczenia i wiedzy, chyba że będą one dozorowane lub zostaną odpowiednio poinstruowane.
 19. Należy pilnować dzieci, aby nie bawiły się urządzeniem.
 20. Kuchenka mikrofalowa jest używana tylko w wersji wolnostojącej.
 21. **OSTRZEŻENIE!**--Nie instaluj kuchenki nad płytą kuchenną lub innym urządzeniem wytwarzającym ciepło. W przeciwnym razie może dojść do uszkodzenia i wygaśnięcia gwarancji.
 22. Kuchenki mikrofalowej nie należy umieszczać w szafce.
 23. Drzwiczki lub powierzchnia zewnętrzna mogą się nagrzewać podczas pracy urządzenia.
 24. **OSTRZEŻENIE!**--Dostępne elementy mogą się silnie nagrzewać podczas użytkowania. Małe dzieci nie powinny znajdować się w pobliżu urządzenia.
 25. W trakcie użytkowania urządzenie silnie się nagrzewa. Należy uważać, aby nie dotykać elementów grzejnych w komorze kuchenki i piekarnika.
 26. Temperatura dostępnych powierzchni może być wysoka podczas pracy urządzenia.
 27. Urządzenie nie może być użytkowane przez dzieci ani osoby o ograniczonej sprawności fizycznej, czuciowej lub umysłowej ani przez osoby bez odpowiedniego doświadczenia i wiedzy, chyba że będą one nadzorowane lub zostaną odpowiednio poinstruowane.
 28. **OSTRZEŻENIE!**--Jeśli drzwiczki lub uszczelki drzwiczek są uszkodzone, kuchenki nie wolno uruchamiać, dopóki nie zostanie naprawiona przez kompetentną osobę.
 29. Urządzenia nie są przeznaczone do obsługi za pomocą zewnętrznego minutnika lub niezależnego systemu zdalnego sterowania.
 30. Kuchenka mikrofalowa jest przeznaczona wyłącznie do użytku domowego, a nie komercyjnego.
 31. Nigdy nie zdejmuj uchwytu dystansowego z tyłu lub po bokach, ponieważ zapewnia on minimalną odległość od ściany dla cyrkulacji powietrza.
 32. Należy zabezpieczyć talerz obrotowy przed przeniesieniem urządzenia, aby uniknąć uszkodzeń.
 33. **OSTROŻNIE!**--Naprawy lub konserwacja urządzenia wykonywane przez osobę bez odpowiednich kwalifikacji są niebezpieczne, ponieważ w takich okolicznościach należy zdjąć pokrywę, która zapewnia ochronę przed promieniowaniem mikrofalowym. Dotyczy to również wymiany przewodu zasilającego lub oświetlenia. W takich przypadkach odeślij urządzenie do naszego centrum serwisowego.
 34. Kuchenka mikrofalowa jest przeznaczona wyłącznie do rozmrażania, gotowania i gotowania na parze żywności.
 35. Użyj rękawiczek przy wyjmowaniu podgrzanej żywności.
 36. Ostrożnie! Podczas otwierania pokrywek lub zdejmowania folii ulatnia się para.

37. Urządzenie może być obsługiwane przez dzieci powyżej 8 roku życia i przez osoby o ograniczonych możliwościach fizycznych, sensorycznych lub umysłowych lub osoby nieposiadające doświadczenia ani wiedzy pod warunkiem, że są one pod odpowiednim nadzorem lub zostały poinstruowane, jak bezpiecznie obsługiwać urządzenie i rozumieją związane z nim zagrożenia. Dzieci nie powinny bawić się urządzeniem. Czyszczenie i konserwacja nie mogą być wykonywane przez dzieci, jeśli nie ukończyły 8 lat lub pozostają bez dozoru.
38. W przypadku wydobywania się dymu należy wyłączyć lub odłączyć od zasilania urządzenie i pozostawić zamknięte drzwiczki, aby zdławić płomień.

PRZEWODNIK INSTALACJI

1. Upewnij się, że wszystkie materiały opakowaniowe zostały usunięte z wewnętrznej strony drzwiczek.
2. **OSTRZEŻENIE!**--Sprawdzić kuchenkę pod kątem uszkodzeń, takich jak nierówne lub wygięte drzwi, uszkodzone uszczelki drzwiczek i powierzchnia uszczelniająca, złamane lub poluzowane zawiasy oraz zatrzaski i wgniecenia wewnątrz wnęki lub na drzwiczkach. W przypadku stwierdzenia jakichkolwiek uszkodzeń nie wolno używać kuchenki i należy skontaktować się z wykwalifikowanym personelem serwisowym.
3. Ta kuchenka mikrofalowa musi być ustawiona na płaskiej, stabilnej powierzchni, aby utrzymać jej ciężar własny i najwyższą wagę gotowanych produktów spożywczych.
4. Nie umieszczać kuchenki w miejscach, w których wytwarzane jest ciepło, wilgoć lub wysoka wilgotność, ani w pobliżu materiałów palnych.
5. Aby zapewnić prawidłowe działanie, kuchenka musi mieć wystarczający przepływ powietrza. Pozostawić minimum 20 cm wolnej przestrzeni nad górną powierzchnią kuchenki i 5 cm po obu stronach. Tyłną płytę kuchenki mikrofalowej należy umieścić blisko ściany. Nie zakrywać ani nie blokować żadnych otworów w urządzeniu. Nie demontować nóżek.
6. Nie używać kuchenki bez szklanej tacki, wspornika rolki i wałka ustawionych we właściwych pozycjach.
7. Upewnij się, że przewód zasilający nie jest uszkodzony i nie jest ułożony pod kuchenką ani nad gorącą lub ostrą powierzchnią.
8. Gniazdko musi być łatwo dostępne, aby można je było łatwo odłączyć w sytuacji awaryjnej.
9. Nie używać kuchenki na zewnątrz.

INSTRUKCJE DOTYCZĄCE UZIEMIENIA

Urządzenie musi być uziemione. Kuchenka jest wyposażona w kabel z przewodem uziemiającym i wtyczką uziemiającą. Wtyczka musi być włożona do prawidłowo zainstalowanego i uziemionego gniazdka ściennego. W przypadku zwarcia elektrycznego uziemienie zmniejsza ryzyko porażenia prądem elektrycznym za pomocą przewodu

ucieczkowego dla prądu elektrycznego. Zaleca się zapewnienie oddzielnego obwodu obsługującego tylko kuchenkę. Używanie wysokiego napięcia jest niebezpieczne i może spowodować pożar lub inny wypadek powodujący uszkodzenie kuchenki.

OSTRZEŻENIE!--Niewłaściwe użycie wtyczki uziemiającej może spowodować ryzyko porażenia prądem.

Uwaga:

1. Jeśli masz jakiegokolwiek pytania dotyczące uziemienia lub instrukcji elektrycznych, skonsultuj się z wykwalifikowanym elektrykiem lub serwisantem.
2. Producent ani sprzedawca nie ponoszą żadnej odpowiedzialności za uszkodzenie kuchenki lub obrażenia ciała wynikające z nieprzestrzegania procedur połączeń elektrycznych.

Przewody w tej magistrali kablowej są oznaczone kolorami zgodnie z następującym kodem:

Żółto-zielony = OCHRONNY PE

Niebieski = NEUTRALNY N

Brązowy = FAZOWY L

ZAKŁÓCENIA RADIOWE

Działanie kuchenki mikrofalowej może powodować zakłócenia w działaniu radia, telewizora lub podobnego sprzętu. W przypadku wystąpienia zakłóceń można je zmniejszyć lub wyeliminować, podejmując następujące działania:

1. Oczyszczyć drzwiczki i powierzchnię uszczelniającą kuchenki.
2. Zmienić kierunek ustawienia anteny odbiorczej radia lub telewizji.
3. Zmienić położenie kuchenki mikrofalowej w stosunku do odbiornika.
4. Odsunąć kuchenkę mikrofalową od odbiornika.
5. Podłączyć kuchenkę mikrofalową do innego gniazdka, aby kuchenka mikrofalowa i odbiornik znajdowały się w różnych obwodach odgałęzionych.

ZANIM WEZWIESZ SERWIS

Zanim zwrócisz się do serwisu, sprawdź każdy z poniższych elementów:

- Sprawdź, czy kuchenka jest prawidłowo podłączona. Jeśli nie, wyjmij wtyczkę z gniazdka, odczekaj 10 sekund i ponownie bezpiecznie ją podłącz.
- Sprawdź, czy nie doszło do przepalenia bezpiecznika obwodu lub wyzwolenia głównego wyłącznika obwodu. Jeśli wydaje się, że działają prawidłowo, przetestuj gniazdko za pomocą innego urządzenia.
- Sprawdź, czy panel sterowania jest poprawnie zaprogramowany i czy jest ustawiony minutnik.
- Sprawdź, czy drzwiczki są dobrze zamknięte, włączając system blokady drzwiczek. Jeśli drzwiczki nie zostaną prawidłowo zamknięte, energia mikrofalowa nie będzie przepływać do środka.

JEŚLI ŻADNA Z POWYŻSZYCH CZYNNOŚCI NIE ROZWIĄŻE PROBLEMU, NALEŻY SKONTAKTOWAĆ SIĘ Z WYKWALIFIKOWANYM TECHNIKIEM. NIE PRÓBUJ REGULOWAĆ LUB NAPRAWIAĆ KUCHENKI SAMODZIELNIE.

TECHNIKI GOTOWANIA

1. Starannie ułóż jedzenie. Umieść najgrubsze warstwy na zewnątrz naczynia.
2. Pilnuj czasu gotowania. Gotuj przez najkrótszy wskazany czas i wydłuż go w razie potrzeby. Potrawy mocno rozgotowane mogą się przypalić lub zająć.
3. Przykryj żywność podczas gotowania. Pokrywki zapobiegają rozpryskiwaniu się i pomagają równomiernie gotować potrawy.
4. Podczas gotowania w mikrofalówce odwróć raz przyrządzane jedzenie, aby przyspieszyć gotowanie takich dań jak kurczak czy hamburgery. Duże potrawy, takie jak pieczeń, należy odwrócić co najmniej raz.
5. Przekładaj dania, takie jak klopsiki w połowie gotowania, zarówno od góry do dołu, jak i od środka naczynia na zewnątrz.

PRZEWODNIK PO NACZYNIACH DO GOTOWANIA

1. Mikrofałe nie przenikają przez metal. Używać wyłącznie przyborów odpowiednich do kuchenek mikrofalowych. Podczas gotowania w kuchence mikrofalowej nie wolno używać metalowych pojemników na żywność i napoje. Wymóg ten nie ma zastosowania, jeśli producent określi rozmiar i kształt metalowych pojemników nadających się do gotowania w kuchence mikrofalowej.
2. Mikrofałe nie przenikają przez metal, dlatego nie należy używać metalowych przyborów lub naczyń z metalowymi wykończeniami.
3. Podczas gotowania w kuchence mikrofalowej nie używać produktów z papieru z recyklingu, ponieważ mogą one zawierać małe fragmenty metalu, które mogą powodować iskry i/lub pożary.
4. Zalecane są naczynia okrągłe/owalne, a nie kwadratowe/prostokątne, ponieważ jedzenie w rogach ma tendencję do przypalania się.
5. Można użyć wąskich pasków folii aluminiowej, aby zapobiec rozgotowaniu odsłoniętych obszarów. Należy uważać, aby nie używać zbyt dużo folii i zachować odległość 1 cala (2,54 cm) między folią a komorą kuchenki.

Poniższa lista jest ogólnym przewodnikiem, który pomoże Ci wybrać właściwe przybory kuchenne.

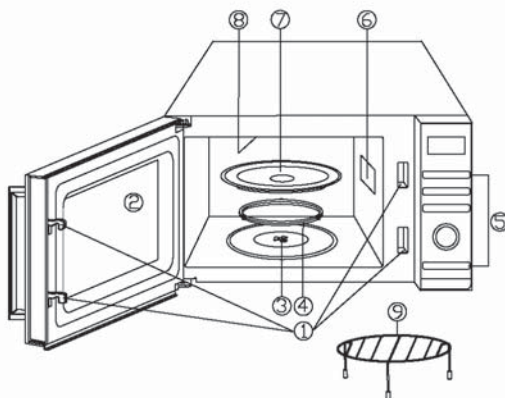
NACZYNIA	KUCHENKA MIKROFALOWA	GRILL	KOMBINACJA
Szkoło żaroodporne	Tak	Tak	Tak
Szkoło nieodporne na ciepło	Nie	Nie	Nie
Ceramika żaroodporna	Tak	Tak	Tak
Plastikowe naczynie nadające się do mikrofalówki	Tak	Nie	Nie
Papier do pieczenia	Tak	Nie	Nie
Metalowa taca	Nie	Tak	Nie
Metalowy stojak	Nie	Tak	Nie
Folia aluminiowa i pojemniki foliowe	Nie	Tak	Nie

SPECYFIKACJA

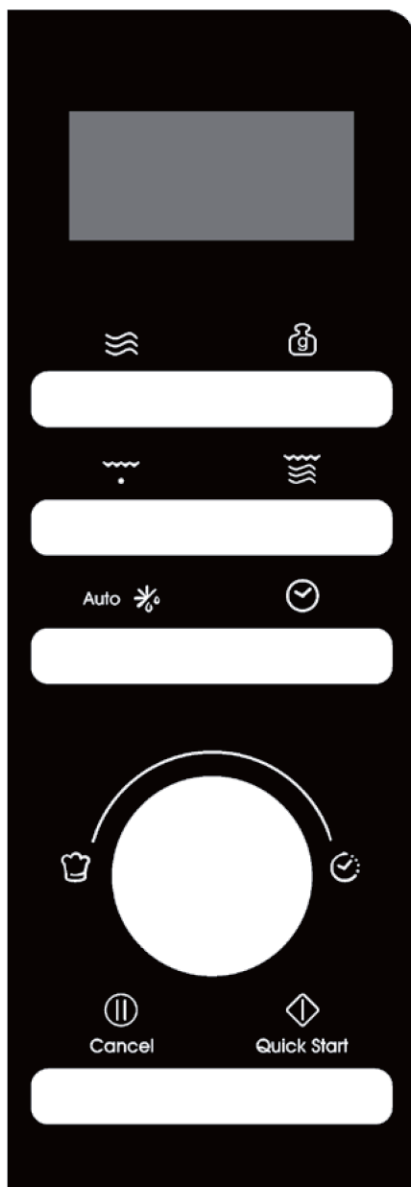
Pobór energii:	230-240 V / 50 Hz, 1200 W (mikrofalówka) 900 W (grill)
Znamionowa moc wyjściowa mikrofal:	700W
Częstotliwość robocza:	2450MHz
Wymiary zewnętrzne:	262 mm (wys) x 452 mm (szer) x 357 mm (gł)
Wymiary komory kuchenki:	198 mm (wys) x 315 mm (szer) x 297 mm (gł)
Pojemność kuchenki:	20 litrów
Waga netto:	Okolo 11,3 kg

SCHEMAT PRODUKTU

1. System blokowania drzwiczek
2. Okienko kuchenki
3. Wałek
4. Pierścień rolkowy
5. Panel sterowania
6. Prowadnica falowa
- (Nie usuwać płytki z miki zakrywającej prowadnicę falową)
7. Szklana taca
8. Podgrzewacz grilla
9. Metalowy stojak



PANEL STEROWANIA



● MENU EKRANU FUNKCJI

Wyświetlane są wskaźniki czasu gotowania, mocy i czynności.

● ZASILANIE

Naciśnij, aby ustawić poziom mocy gotowania mikrofalowego.

● REGULACJA WAGI

Naciśnij, aby ustawić wagę lub porcje żywności.

● GRILL

Naciśnij, aby ustawić program grillowania.

● KOMBINACJA

Naciśnij, aby ustawić kombinowany program gotowania.

● AUTOMATYCZNE ROZMRAŻANIE

Auto 

Naciśnij raz, aby rozmrozić żywność wg czasu. Naciśnij dwukrotnie, aby rozmrozić żywność wg wagi.

● ZEGAR

Naciśnij, aby ustawić godzinę.

● MENU/CZAS (Wybierz)

Obróć pokrętkę, aby ustawić czas.

Obróć pokrętkę, aby wybrać menu automatycznego gotowania.

● WSTRZYMAJ/ANULUJ Cancel


Naciśnij raz, aby przerwać gotowanie, lub dwa razy, aby całkowicie anulować gotowanie.

● START/SZYBKI START Quick Start

Naciśnij, aby rozpocząć programy gotowania i rozmrażania.

Po prostu naciśnij przycisk kilka razy, aby ustawić czas gotowania i natychmiast gotuj na poziomie pełnej mocy.

INSTRUKCJA OBSŁUGI

- Przy pierwszym podłączeniu kuchenki rozlegnie się sygnał dźwiękowy, a na wyświetlaczu pojawi się „1:01” i .
- W trakcie ustawiania po 25 sekundach przerwy kuchenka powraca do trybu czuwania.
- Jednokrotne naciśnięcie przycisku WSTRZYMAJ/ANULUJ spowoduje przerwanie programu, a naciśnięcie przycisku START/SZYBKI START jego wznowienie. Natomiast dwukrotne naciśnięcie przycisku WSTRZYMAJ/ANULUJ spowoduje anulowanie programu.
- Po zakończeniu gotowania na wyświetlaczu pojawi się komunikat Koniec i co dwie minuty będzie emitowany sygnał dźwiękowy, aż do chwili, gdy użytkownik naciśnie przycisk WSTRZYMAJ/ANULUJ lub otworzy drzwiczki.
- Jeśli w trakcie działania naciśniesz prawidłowy przycisk, brzęczyk zadzwoni raz, ale jeśli naciśniesz nieprawidłowy przycisk, brzęczyk zadzwoni dwa razy.
- Elektroniczny system sterowania kuchenki mikrofalowej ma funkcję chłodzenia. Podobnie jak w przypadku każdego trybu, w którym czas gotowania przekracza 2 minuty, po zakończeniu gotowania otwórz drzwiczki kuchenki albo program gotowania zostanie wstrzymany. Wentylator kuchenki będzie działał automatycznie przez około 3 minuty, aby ochłodzić komorę w celu przedłużenia żywotności urządzenia.

USTAWIANIE CZASU NA ZEGARZE

Jest to zegar 12- i 24-godzinny. Tryb 12 lub 24 godzin można ustawić, naciskając przycisk ZEGAR w trybie czuwania.

1. W trybie czuwania naciśnij kilkakrotnie przycisk ZEGAR, aby wybrać zegar 12- lub 24-godzinny.
2. Obróć pokrętko MENU/CZAS, aby ustawić cyfry godzin.
3. Naciśnij raz przycisk ZEGAR.
4. Obróć pokrętko MENU/CZAS, aby ustawić cyfry minut.
5. Naciśnij raz przycisk ZEGAR, aby potwierdzić.

UWAGA: Podczas gotowania można sprawdzić aktualny czas, naciskając przycisk ZEGAR.

EKSPRESOWE GOTOWANIE

Użyj tej funkcji, aby wygodnie zaprogramować kuchenkę do gotowania z mocą na 100%. W trybie czuwania wystarczy kilkakrotnie nacisnąć przycisk START/SZYBKI START, aby ustawić czas gotowania (każde naciśnięcie wydłuża czas o 30 sekund, w zakresie do 10 minut). Kuchenka zaczyna działać automatycznie z pełną mocą.

GOTOWANIE MIKROFALOWE

1. W trybie czuwania naciśnij kilkakrotnie przycisk ZASILANIE, aby wybrać poziom mocy.
2. Obróć pokrętkę MENU/CZAS zgodnie z ruchem wskazówek zegara, aby ustawić czas gotowania. Maksymalny czas wynosi 95 minut.
3. Naciśnij przycisk START/SZYBKI START, aby potwierdzić.

Naciśnij przycisk ZASILANIE, aby wybrać poziom mocy:

Naciśnij przycisk ZASILANIE	Moc (wyświetlacz)	Naciśnij przycisk ZASILANIE	Moc (wyświetlacz)
Raz	100% (100)	7 razy	40% (40)
2 razy	90% (90)	8 razy	30% (30)
3 razy	80% (80)	9 razy	20% (20)
4 razy	70% (70)	10 razy	10% (10)
5 razy	60% (60)	11 razy	00% (00)
6 razy	50% (50)		

UWAGA: Podczas gotowania można sprawdzić poziom mocy gotowania, naciskając przycisk ZASILANIE.

CZAS ROZMRAŻANIA

1. W trybie czuwania naciśnij raz przycisk AUTOMATYCZNE ROZMRAŻANIE.
2. Obróć pokrętkę MENU/CZAS, aby ustawić czas rozmrażania. Maksymalny czas wynosi 95 minut.
3. Naciśnij przycisk START/SZYBKI START, aby potwierdzić.

UWAGA: Podczas rozmrażania system zatrzyma się i wyda sygnał dźwiękowy, aby przypomnieć użytkownikowi o odwróceniu rozmrażanej żywności. Następnie należy nacisnąć przycisk START/SZYBKI START, aby wznowić proces.

AUTOMATYCZNE ROZMRAŻANIE

Czas rozmrażania i poziom mocy są ustawiane automatycznie po zaprogramowaniu wagi żywności. Waga mrożonek wynosi od 100 g do 1800 g.

1. W trybie czuwania naciśnij dwukrotnie przycisk AUTOMATYCZNE ROZMRAŻANIE.
2. Naciskaj kilkakrotnie przycisk REGULACJA WAGI, aby wybrać wagę żywności.
3. Naciśnij przycisk START/SZYBKI START, aby potwierdzić.

UWAGA: Podczas rozmrażania system zatrzyma się i wyda sygnał dźwiękowy, aby przypomnieć użytkownikowi o odwróceniu rozmrażanej żywności. Następnie należy nacisnąć przycisk START/SZYBKI START, aby wznowić proces.

GRILL

Grillowanie jest szczególnie przydatne w przypadku przyrządzania cienkich plasterków mięsa, steków, kotletów, kebabów, kiełbasek lub kawałków kurczaka. Nadaje się również do przygotowywania gorących kanapek i dań zapiekanych.

1. W trybie czuwania naciśnij raz przycisk GRILL.
2. Obróć pokrętkę MENU/CZAS, aby ustawić czas gotowania. Maksymalny czas wynosi 95 minut.
3. Naciśnij przycisk START/SZYBKI START, aby potwierdzić.

KOMBINACJA

Grill działa dłużej niż gotowanie mikrofalowe w kombinacji 1; używaj go do przyrządzania ryb i zapiekanek. Ale gotowanie mikrofalowe działa dłużej niż grill w kombinacji 2; używaj go do przyrządzania budyniu, omletów, pieczonych ziemniaków i drobiu.

1. W trybie czuwania naciśnij raz lub dwa razy przycisk KOMBINACJA, aby wybrać opcje „Kombinacja 1” lub „Kombinacja 2”.
2. Obróć pokrętkę MENU/CZAS, aby ustawić czas gotowania. Maksymalny czas wynosi 95 minut.
3. Naciśnij przycisk START/SZYBKI START, aby potwierdzić.

AUTOMATYCZNE CZYSZCZENIE

Włóż miskę z 300 g wody do kuchenki i zamknij drzwiczki.

1. W trybie czuwania przekręć raz pokrętkę MENU/CZAS w lewo, a następnie obracaj pokrętkę, aż na wyświetlaczu pojawi się komunikat „CLE” i „AUTO”.
2. Naciśnij jeden raz przycisk REGULACJA WAGI.
3. Naciśnij przycisk START/SZYBKI START, aby rozpocząć.

UWAGA: Czas czyszczenia wynosi 10 minut.

BLOKADA RODZICIELSKA

Uniemożliwia obsługę kuchenki przez dzieci bez nadzoru.

Aby ustawić blokadę rodzicielską: W trybie czuwania, po jednej minucie bez wykonania żadnej czynności, kuchenka automatycznie przejdzie w tryb blokady rodzicielskiej i zapali się kontrolka blokady. W stanie blokady wszystkie przyciski są wyłączone.

Aby wyłączyć blokadę rodzicielską: W trybie blokady rodzicielskiej otworzyć lub zamknąć drzwiczki kuchenki, aby anulować program; kontrolka blokady zgaśnie.

AUTOMATYCZNE GOTOWANIE

W przypadku następujących potraw lub trybu gotowania nie ma potrzeby programowania czasu i mocy gotowania. Wystarczy wskazać rodzaj potrawy, jaki chcesz ugotować, a także wagę lub porcje.

1. W trybie czuwania obróć pokrętkę MENU/CZAS w kierunku przeciwnym do ruchu wskazówek zegara, aby wybrać kod żywności.
2. Naciśnij kilkakrotnie przycisk REGULACJA WAGI, aby wybrać wagę lub porcje potrawy.
3. Naciśnij przycisk START/SZYBKI START, aby potwierdzić.

Menu automatycznego gotowania:

Kod	Potrawy	Waga/Ilość	Uwaga
A-01	Mleko/Kawa/Herbata (200 ml/kubek)	1 szklanka	Wyświetlacz pokaże liczbę porcji zamiast wagi
		2 szklanki	
		3 szklanki	
A-02	Spaghetti	100g	
		200g	
		300g	
A-03	Ziemniaki	100g	
		200g	
A-04	Automatyczne podgrzewanie	300g	
		200g	
		300g	
		400g	
		500g	
		600g	
		700g	
A-05	Ryba	800g	
		200g	
		300g	
		400g	
A-06	Popcorn	500g	
		400g	
		600g	
A-07	Kurczak	200g	Kuchenka przerwie proces, aby przypomnieć użytkownikowi o odwróceniu żywności. Aby wznowić działanie, naciśnij przycisk START/SZYBKI START.
		800g	
		900g	
		1000g	
A-08	Wołowina/Baranina	1100g	
		200g	
		300g	
		400g	
		500g	
A-09	Mięso na szaszłyki	600g	Kuchenka przerwie proces, aby przypomnieć użytkownikowi o odwróceniu żywności. Aby wznowić działanie, naciśnij przycisk START/SZYBKI START.
		100g	
		200g	
		300g	
		400g	
A-10	Zupa	500g	
		200g	
		400g	
A-11	Owsianka	600g	
		50g	
		100g	
A-12	Świeże warzywa	150g	
		200g	
		300g	

		400g	
		500g	
		600g	
A-13	Mrożone warzywa	200g	
		300g	
		400g	
		500g	
		600g	
A-14	Ryż	150g	
		300g	
		450g	
		600g	
A-15	Pizza	150g	
		300g	
		450g	
A-16	Grillowana ryba	200g	Kuchenka przerwie proces, aby przypomnieć użytkownikowi o odwróceniu żywności. Aby wznowić działanie, naciśnij przycisk START/SZYBKI START.
		300g	
		400g	
		500g	
		600g	
A-17	Grillowany boczek	100g	
		200g	
		300g	
A-18	Kielbaski	100g	Kuchenka przerwie proces, aby przypomnieć użytkownikowi o odwróceniu żywności. Aby wznowić działanie, naciśnij przycisk START/SZYBKI START.
		200g	
		300g	
		400g	
		500g	
A-19	Automatyczne czyszczenie/(wydajność to kropla wody w komorze)		

Rezultat automatycznego gotowania zależy od takich czynników jak kształt i wielkość potrawy, osobiste preferencje użytkownika dotyczące stopnia obróbki termicznej niektórych potraw, a nawet sposób rozmieszczenia żywności w komorze kuchenki. Jeśli wynik nie jest zadowalający, należy odpowiednio dostosować czas gotowania.

CZYSZCZENIE I PIELEGNACJA

1. Przed przystąpieniem do czyszczenia wyłącz kuchenkę i wyjmij wtyczkę z gniazdka.
2. Pozostaw wnętrze kuchenki w czystości. Jeśli rozpryski żywności lub rozlane płyny przylgną do ścian kuchenki, przetrzyj je wilgotną szmatką. W przypadku silnego zabrudzenia kuchenki można użyć łagodnych detergentów. Unikaj używania spray'u i innych agresywnych środków czyszczących. Mogą plamić, zmatowić powierzchnię drzwiczek lub pozostawić na niej smugi.
3. Zewnętrzne powierzchnie kuchenki należy czyścić wilgotną ściereczką. Aby zapobiec uszkodzeniu części roboczych wewnątrz kuchenki, woda nie może dostać się do otworów wentylacyjnych.
4. Często wycieraj wilgotną szmatką drzwiczki i okienko po obu stronach, uszczelki drzwiczek i sąsiednie części, aby usunąć wszelkie rozlane płyny lub rozpryskane pozostałości żywności. Nie używać ściernych środków czyszczących.
5. Nie używać odkurzacza parowego.
6. Nie dopuścić do zamoczenia panelu sterowania. Czyścić miękką, wilgotną ściereczką. Podczas czyszczenia panelu sterowania pozostaw otwarte drzwiczki kuchenki, aby zapobiec przypadkowemu włączeniu urządzenia.
7. Jeśli wewnątrz lub na zewnątrz drzwiczek kuchenki gromadzi się para, wytrzyj ją miękką ściereczką. Może się to zdarzyć, gdy kuchenka mikrofalowa pracuje w warunkach wysokiej wilgotności. To zjawisko jest normalne.
8. Czasami konieczne jest wyjęcie szklanej tacy do czyszczenia. Umyj tacę w ciepłej wodzie z mydłem lub w zmywarce.
9. Pierścień wałka i spód kuchenki należy regularnie czyścić, aby uniknąć nadmiernego hałasu. Wystarczy przetrzeć dolną powierzchnię kuchenki łagodnym detergentem. Pierścień rolkowy można myć w łagodnej wodzie z mydłem lub w zmywarce. W przypadku wyjęcia pierścienia rolkowego, upewnij się, że został on umieszczony z powrotem we właściwej pozycji.
10. Usuń zapachy z komory kuchenki, wkładając do niej nadającą się do mikrofalówki miseczkę z roztworem szklanki wody z sokiem i skórką z jednej cytryny. Podgrzewaj roztwór przez 5 minut. Splucz i wysusz miękką ściereczką.
11. Jeśli żarówka się przepaliła, skontaktuj się z obsługą klienta w celu jej wymiany.
12. Kuchenkę należy regularnie czyścić i usuwać z niej resztki jedzenia. Zaniedbania w utrzymaniu kuchenki w czystości mogą prowadzić do uszkodzenia jej powierzchni, co może niekorzystnie wpłynąć na okres użytkowania urządzenia, a w rezultacie prowadzić do niebezpiecznych sytuacji.
13. Nie wolno wyrzucać tego urządzenia do domowego kosza na śmieci. Należy je oddać do punktu utylizacji udostępnionego przez gminę.
14. Przy pierwszym użyciu kuchenki mikrofalowej z funkcją grilla może wydzielać się lekki dym i zapach. Jest to normalne zjawisko, ponieważ kuchenka jest wykonana ze stalowej płyty pokrytej olejem smarującym i nowe urządzenie będzie wytwarzać opary i zapachy generowane przez jego spalanie. Zjawisko to ustąpi po pewnym okresie użytkowania.



To urządzenie jest oznakowane zgodnie z Dyrektywą Europejską 2012/19/UE w sprawie przepisów dotyczących zużytego sprzętu elektrycznego i elektronicznego z 2013 r. dotyczących urządzeń elektrycznych i elektronicznych (WEEE). Zużyty sprzęt elektryczny i elektroniczny zawiera substancje zanieczyszczające (które mogą wywierać negatywny wpływ na środowisko) oraz elementy podstawowe (które nadają się do ponownego wykorzystania). Ważne jest właściwe przetwarzanie zużytego sprzętu elektrycznego i elektronicznego w celu prawidłowego usunięcia i utylizacji wszystkich substancji zanieczyszczających oraz odzyskania pozostałych materiałów. Każdy może odegrać ważną rolę w zadaniu o to, by zużyty sprzęt elektryczny i elektroniczny nie zagrażał środowisku. Zasadnicze znaczenie ma przestrzeganie kilku podstawowych zasad:

- Zużytego sprzętu elektrycznego i elektronicznego nie należy traktować jak odpadów z gospodarstwa domowego;
- Zużyty sprzęt elektryczny i elektroniczny powinien być odwożony do wyznaczonych punktów zbiórki odpadów zarządzanych przez radę miasta lub zarejestrowaną firmę.

W wielu krajach organizowane są lokalne zbiórki dużego zużytego sprzętu elektrycznego i elektronicznego. Po zakupie nowego urządzenia, stare można oddać dostawcy, który musi je bezpłatnie przyjąć w ramach wymiany, jeśli to urządzenie jest podobnego typu i ma takie same funkcje jak urządzenie zakupione.