

# CANDY

EN  
BG  
CS  
DA  
DE  
EL  
ES  
FI  
FR  
HR  
HU  
IT  
NL  
NO  
PL  
PT  
RO  
RU  
SK  
SL  
SR  
SV  
UK  
AR  
TR

**DOWNLOAD THE hOn App**

Discover extra contents and  
create your inventory list



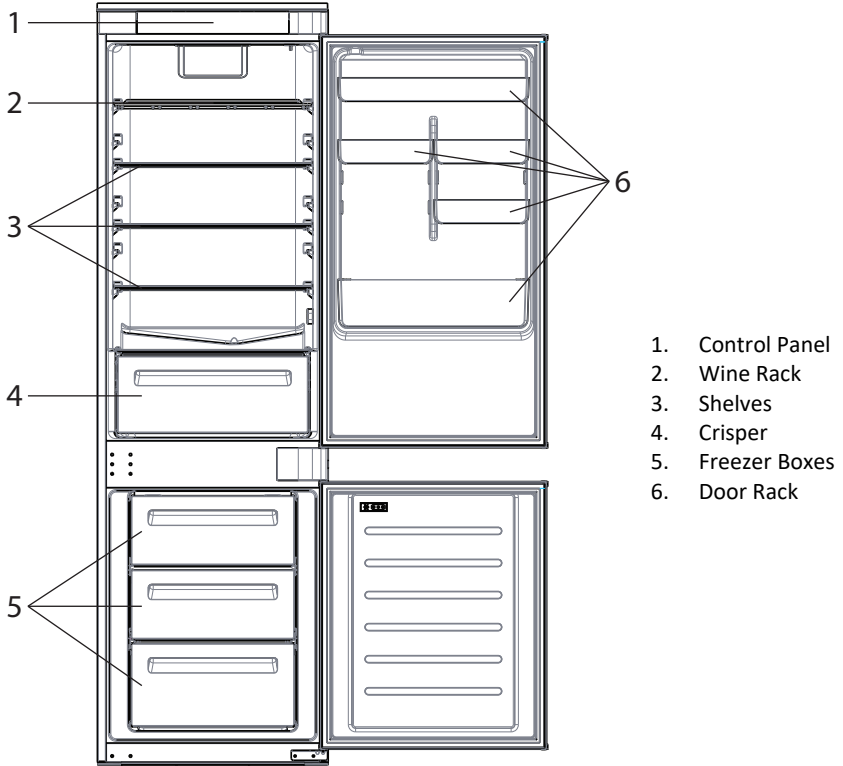


# Summary

---

PRODUCT DESCRIPTION .....	2
USE.....	3
Use .....	3
Display StandBy .....	4
Mode.....	4
Fridge Temp Setting .....	4
Freezer Temp Setting .....	4
Customized temperature .....	5
Super Cool function.....	5
Super Freeze function .....	6
Eco mode.....	6
Holiday function .....	7
Defrosting.....	7
Demo mode.....	7
Error codes.....	7
In app pairing procedure.....	8
Wi-Fi Use .....	9
TROUBLESHOOTING.....	10

## PRODUCT DESCRIPTION



\* The most energy-saving configuration requires drawers, food box and shelves to be positioned in the product and fan to be off, please refer to the above pictures.

\*\* The pictures above are only for reference. The actual configuration will depend on the physical product or statement by the distributor.

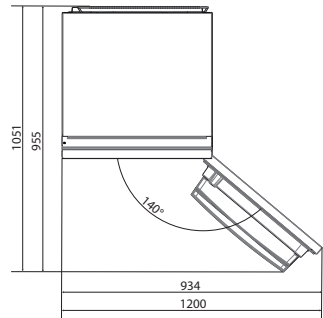
### Space requirements

The unit's door must be able to fully open as shown. Spare enough space for convenient opening of the doors and drawers.

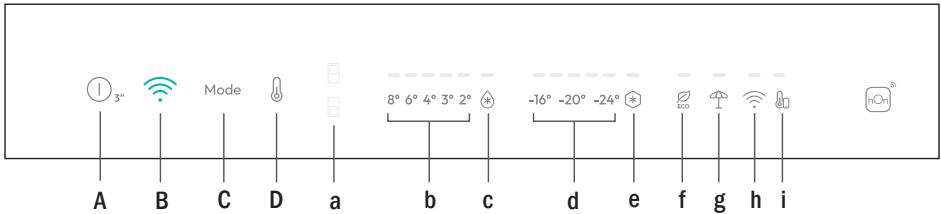
Keep a distance of at least 50 mm between the side walls of the product and adjacent parts.

540 mm Cabinet: Width: 934 mm  
Depth: 955 mm

700 mm Cabinet: Width: 1200 mm  
Depth: 1051 mm



## USE



- A. ON/OFF key, push for 3 seconds. Appliance turns on with a long acoustic feedback (1sec)
- B. Wi-Fi key, used to connect the appliance
- C. Mode key, used to select between Fridge, Freezer, Eco and Holiday
- D. TEMP key, used to select between temperatures levels (also Super Cool and Super Freeze)
- a. Fridge/Freezer area icon, shows which compartment of the appliance is selected
- b. Fridge temperature levels, shows which is the selected temperature
- c. Super Cool icon, shows if the Super Cool function is activated
- d. Freezer temperature levels, shows which is the selected temperature in the freezer
- e. Super Freeze icon, shows if the Super Freeze function is activated
- f. Eco mode icon, shows whether the Eco mode is activated
- g. Holiday function icon, shows whether the holiday function is activated
- h. Wi-Fi icon, shows whether the Wi-Fi is working and the appliance is connected
- i. Customized temperature icon, shows if the temperature has been selected by app

- Use • Plug in the appliance and it automatically turns on with a long acoustic feedback (1 sec)  
All LEDs turn on (1 sec), then the Fridge temperature LED and Freezer LED turn on fixed.
- The temperature will automatically set at 4 °C in the fridge and -18 °C in the freezer.  
NOTE: wait at least 2/3 hours before putting food in the appliance, so as to ensure the temperature inside the fridge.
  - In case of power loss, the last cooling level set will be restored.
  - To restore the default setting, keep pressed the door switch inside the refrigerator and simultaneously press the ON/OFF key for 5 seconds.
  - Under the normal operating condition (in spring and autumn), it is recommended to set the temperature at 4 °C. In summer when the ambient temperature is high, it is recommended to set temperature at 6~8 °C, so as to guarantee the fridge and freezer temperatures and reduce the refrigerator continuous running time; and in winter when the ambient temperature is low, it is recommended to set temperature at 3~4 °C to avoid frequent start/stop of the refrigerator.

## Display stand by mode management

- If the door is closed -> display in standby (all LEDs switched off)
- If the door is open -> current fridge temperature LED and freezer temperature LED are turned on (fixed).
- ECO mode LED + Holiday mode LED are turned on (fixed) if previously selected.
- Display is ready to receive inputs (no need to activate it by touch).

## Mode

The mode button is used to switch between the different modes.

The related LED turns on and selection is immediately confirmed (no blink).

Short acoustic feedback confirms the selection.

## Fridge temperature setting

When display panel is on, select the "fridge temperature setting" pushing the MODE button.

The fridge area LED turns on. Push the "TEMP" button until the desired temperature is set.

The temperature value changes in this way: 8°C -> 6°C -> 4°C -> 3°C -> 2°C -> super cooling -> 8°C...

The related LED turns on and selection is immediately confirmed (no blink).

Short acoustic feedback confirms the selection.

## Freezer temperature setting

When display panel is on, select the "freezer temperature setting" pushing the MODE button. The freezer area LED turns on.

Push the "TEMP" button until the desired temperature is set.

The temperature value changes in this way: -16°C -> -18°C -> -20°C -> -22°C -> -24°C -> Super freezing->-16°C...

The related LED turns on and selection is immediately confirmed (no blink).

Short acoustic feedback confirms the selection.

## Note

Switching from fridge to freezer areas and vice versa is immediate when the user pushes the MODE button, and the selection is immediately active.

Temperature LEDs do not blink.

## Customized temperature

From the app it is possible to customize the temperature for both fridge and freezer. The temperature can be set with 1 °C sensitivity. It is possible to select a temperature from 2 °C to 8 °C in the fridge, and from -16 °C to -24 °C in the freezer.

When the temperature is selected by the app, the customized temperature icon turns on, while all the temperature LED lights of the affected compartment are turned off (i.e. if the refrigerator temperature is selected from the app, LEDs from 2 °C to 8 °C are turned off. If the freezer temperature is selected from the app, LEDs from -16 °C to -24 °C are turned off).

If only a single area (freezer or fridge) has the customized temperature, the temperature selection of the other area is not changed and the LED light of the selected temperature of that area remains on. An acoustic signal is made every time the temperature is changed.

Long acoustic feedback (1 sec) confirms connection is completed.

## Super Cool function

It is suggested to switch on the Super Cool function if a large quantity of food should be stored (for example after the purchase). The Super-Cool function accelerates the cooling of fresh food and protects the goods already stored from undesirable warming. When the function is activated, the temperature of the fridge is automatically set at 2 °C.

How to use the Super Cool function:

- The function can be activated by long pressing TEMP key to select the fridge compartment, and then quick pressing the TEMP key until the Super Cool icon led is turned on, or it can be turned on from the app. When the function is activated, the Super Cool LED is always ON.
- To exit the Super Cool function, press the TEMP key or turn it off from the app.
- The Super Cool function automatically ends when the function has lasted for more than 12 hours.
- When the Super Cool ends, the icon of the control panel is switched off and the previously set cooling level is restored.

**Note:** Super Cool and Super Freeze function cannot be activated simultaneously.

## Super Freeze function

The super freezing function accelerates the freezing of fresh food and protects the goods already stored from undesirable warming. If a large amount of food has to be freeze, it is recommended to set the Super-Freeze function on 24h before the usage. When the function is activated, the temperature is automatically set at -22 °C.

How to use the Super Freeze function:

- The function can be launched by long pressing TEMP key to select the freezer compartment, and then quick pressing TEMP key until the Super Freeze icon led is turned on, or it can be turned on from the app. When the function is activated, the Super Freeze LED is always ON.
- To exit the Super Freeze function, press the TEMP key or turn it off from the app.
- The Super Freeze function automatically ends when the function has lasted for more than 50 hours.
- When the Super Freeze ends, the icon of the control panel is switched off and the previously set freezing level is restored.

**Note:** Super Cool and Super Freeze function cannot be activated simultaneously.

## Eco mode

The Eco mode can be activated to optimize the performance of the appliance, whereas obtaining the best food storage. The Eco mode will automatically set the temperature at 4 °C in fridge and at -18 °C in the freezer.

How to use the Eco mode:

- The function can be activated from control panel by pressing the “mode” key until the Eco mode icon turns on (an acoustic signal confirms the selection), or by selecting the function from the app. When the function is activated, the Eco mode icon is always ON.
- To exit the Eco turn it off from the app or chose another function from the control panel.
- When the Eco Mode ends, the icon of the control panel is switched off and the previously set cooling levels are restored.



## Holiday function

The Holiday function can be used to reduce the energy consumption of the appliance, when it is not used regularly. When the function is on, the LED lights will be off (even if the door is open) and the fridge will work on low power consumption mode, whereas the freezer will keep working normally.

How to use the Holiday function:

- The function can be activated from control panel by pressing the “mode” key until the Holiday icon turns on (an acoustic signal confirms the selection), or by selecting the function from the app. When the function is activated, the Holiday icon is always ON.
- To exit the Holiday function, turn it off from the app or chose another function from the control panel.
- When the Holiday function ends, the icon of the control panel is switched off and the previously set cooling levels are restored.

## Defrosting

When the layer of frost present in the freezer compartment exceeds 3mm, it is recommended to proceed with the defrosting as it increases energy consumption.

- Switch off the appliance and disconnect the power cord.
- Remove the frozen food and temporarily place them in a cool place.
- Leave the freezer door open and collect the water on the bottom of the product.
- When defrosting is completed, dry the interior thoroughly.
- Reconnect the power cord and set the desired values.
- Wait a moment and reintroduce the frozen foods.

## Demo mode

To enter the demo mode, with the display unlocked, keep pressed the Wi-Fi key (B) and press the MODE key (C) 5 times within 5 seconds. To exit the demo mode, perform the same operation or power off the refrigerator.

## Error Codes

Communication error

8 °C – 6 °C – 4 °C – 3 °C – 2 °C LED lights turn on sequentially, it means there has been a communication error between the main control board and the display board. Please, contact the technical assistance to help solve the problem

## WI-FI USE

### In app pairing procedure

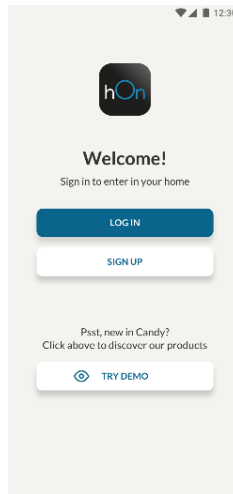
#### Step 1

- Download the hOn app on the stores



#### Step 2

- Create your account on the hOn App or log in if you already have an account



#### Step 3

- Follow pairing instructions in the hOn App

## Wi-Fi Use

When display panel is on, a short push of the Wi-Fi button starts the sync and Wi-Fi LED starts blinking. Follow instructions on the App to complete the connection.

Long acoustic feedback (1 sec) confirms that the connection is established and the LED stays on fixed.

If the Wi-Fi has not been configured yet, when the refrigerator turns on, it will automatically enter the configuration mode and keep this status for 30 minutes.

To use the configuration mode:

- Press the Wi-Fi key for 2s, the refrigerator enters the Wi-Fi configuration mode and an acoustic signal is made. The Wi-Fi icon starts blinking.
- Follow in app instructions to configure the Wi-Fi (see above).
- Once the Wi-Fi is configured and the connection established, the Wi-Fi icon is on and fixed.
- After 30 minutes without performing any operation, the Wi-Fi will automatically exit the configuration mode.
- If the Wi-Fi has already been configured, it will automatically reconnect according to the configuration information.

To reset the Wi-Fi, long press the Wi-Fi key and Mode for 2s, the Wi-Fi is reset and an acoustic signal is made. After this, the Wi-Fi will automatically enter the configuration state (Wi-Fi icon will start blinking again).

To turn off the Wi-Fi, press the Wi-Fi key for 3s.

## Radio-module - Technical data

Frequency rate (OFR)	2400 MHz-2843.5 MHz
Channel frequencies	2412...2472 MHz(step size 5 MHz)
Maximum power(EIRP)	100 mW

Radio equipment type is in compliance with Directive 2014/53/EU.

## TROUBLESHOOTING

The inside light bulb does not turn on.	<ul style="list-style-type: none"> <li>• No electricity.</li> </ul>	<ul style="list-style-type: none"> <li>• The power cable is not properly plugged in.</li> <li>• Check if the appliance is switched off (see Temperature Adjustment).</li> <li>• Check the power socket is working correctly (e.g. with another electric device).</li> </ul>
	<ul style="list-style-type: none"> <li>• Holiday Mode is activated.</li> </ul>	<ul style="list-style-type: none"> <li>• Deactivate Holiday mode.</li> </ul>
The internal temperature of the refrigerator and/or freezer is not cold enough.	<ul style="list-style-type: none"> <li>• The doors are not closed.</li> </ul>	<ul style="list-style-type: none"> <li>• Check that the door and gaskets close properly.</li> </ul>
	<ul style="list-style-type: none"> <li>• The doors are frequently opened.</li> </ul>	<ul style="list-style-type: none"> <li>• Avoid opening the doors unnecessarily for some time.</li> </ul>
	<ul style="list-style-type: none"> <li>• Incorrect temperature setting.</li> </ul>	<ul style="list-style-type: none"> <li>• Check the temperature setting and, if possible, set a lower temperature (see Temperature Adjustment).</li> </ul>
	<ul style="list-style-type: none"> <li>• The refrigerator and/or freezer are too full.</li> </ul>	<ul style="list-style-type: none"> <li>• Wait for the temperature of the refrigerator/ freezer to stabilise.</li> <li>• Avoid filling the refrigerator and freezer excessively.</li> </ul>
	<ul style="list-style-type: none"> <li>• The surrounding temperature is too low.</li> </ul>	<ul style="list-style-type: none"> <li>• Move the unit to a warmer place or heat the current room.</li> </ul>
	<ul style="list-style-type: none"> <li>• Warm items have been stored.</li> </ul>	<ul style="list-style-type: none"> <li>• Always allow items to cool before storing them.</li> </ul>
The food in the refrigerator freezes.	<ul style="list-style-type: none"> <li>• Incorrect temperature setting.</li> </ul>	<ul style="list-style-type: none"> <li>• Check the temperature setting and, if possible, increase the temperature.</li> </ul>
	<ul style="list-style-type: none"> <li>• Food in contact with the back wall.</li> </ul>	<ul style="list-style-type: none"> <li>• Keep the food away from the refrigerator's back wall.</li> </ul>
The bottom of the refrigerator compartment is wet or water droplets are present.	<ul style="list-style-type: none"> <li>• The drain hose could be clogged.</li> </ul>	<ul style="list-style-type: none"> <li>• Clean the drain hose with a stick or similar item to allow the water to drain.</li> </ul>
Presence of drops of water or frost on the rear wall of the refrigerator.	<ul style="list-style-type: none"> <li>• Depending on the function, drops of water or frost form on the rear wall of the refrigerator during operation.</li> </ul>	<ul style="list-style-type: none"> <li>• It is not a defect.</li> </ul>
	<ul style="list-style-type: none"> <li>• Warm items have been stored.</li> </ul>	<ul style="list-style-type: none"> <li>• Always allow items to cool before storing them.</li> </ul>
	<ul style="list-style-type: none"> <li>• There are open food containers or liquids.</li> </ul>	<ul style="list-style-type: none"> <li>• Always cover food and liquids.</li> </ul>
	<ul style="list-style-type: none"> <li>• The doors are not closed.</li> </ul>	<ul style="list-style-type: none"> <li>• Check that the door and gaskets close properly.</li> </ul>
	<ul style="list-style-type: none"> <li>• The doors are frequently opened.</li> </ul>	<ul style="list-style-type: none"> <li>• Avoid opening the doors unnecessarily for some time.</li> </ul>
Presence of water in the vegetable drawer.	<ul style="list-style-type: none"> <li>• Lack of air circulation.</li> </ul>	<ul style="list-style-type: none"> <li>• Verify that your appliance is not too full.</li> </ul>
	<ul style="list-style-type: none"> <li>• Vegetables and fruit with too much moisture.</li> </ul>	<ul style="list-style-type: none"> <li>• Wrap the fruit and vegetables in plastic materials, e.g. cling film, bags or containers.</li> </ul>
The motor runs continuously.	<ul style="list-style-type: none"> <li>• The doors are not closed.</li> </ul>	<ul style="list-style-type: none"> <li>• Make sure the doors are closed and check the seals close properly.</li> </ul>
	<ul style="list-style-type: none"> <li>• The doors are opened frequently.</li> </ul>	<ul style="list-style-type: none"> <li>• Avoid opening the doors unnecessarily for some time.</li> </ul>
	<ul style="list-style-type: none"> <li>• Ambient temperature is very high.</li> </ul>	<ul style="list-style-type: none"> <li>• Verify that the ambient temperature is in the range set out in the specifications on the appliance tag.</li> <li>• Set the display screen/thermostat to a warmer temperature.</li> </ul>
	<ul style="list-style-type: none"> <li>• The appliance has been off (no power) for some time.</li> </ul>	<ul style="list-style-type: none"> <li>• It normally takes the appliance 8-12h to cool completely.</li> </ul>
The frozen food is thawing.	<ul style="list-style-type: none"> <li>• Surrounding temperature is too low.</li> </ul>	<ul style="list-style-type: none"> <li>• Move the unit to a warmer place or heat the current room.</li> </ul>
	<ul style="list-style-type: none"> <li>• The freezer door is not closed.</li> </ul>	<ul style="list-style-type: none"> <li>• Make sure the door is closed and that the gasket is sealing properly.</li> </ul>
Fridge door alarm.	<ul style="list-style-type: none"> <li>• Fridge door alarm (acoustic beep) activates whenever the door is left open for more than 3 minutes.</li> </ul>	<ul style="list-style-type: none"> <li>• Avoid leaving the door open when not needed. The beep ceases when the door is closed.</li> </ul>
The appliance makes noises such as gurgling, buzzing, clicking, creaking.	<ul style="list-style-type: none"> <li>• No breakdowns. An engine is running, e.g. refrigeration unit, fan. The refrigerant flows into the pipes. Motor, switches and solenoid valves are switched on or off.</li> </ul>	<ul style="list-style-type: none"> <li>• No action needed.</li> </ul>
	<ul style="list-style-type: none"> <li>• The appliance is not located on level ground.</li> </ul>	<ul style="list-style-type: none"> <li>• Adjust the feet to level the appliance.</li> </ul>
	<ul style="list-style-type: none"> <li>• The appliance touches an object around it.</li> </ul>	<ul style="list-style-type: none"> <li>• Remove objects around the appliance.</li> </ul>
The appliance does not cool, the temperature and lighting indicators are on.	<ul style="list-style-type: none"> <li>• Demo mode is activated.</li> </ul>	<ul style="list-style-type: none"> <li>• Deactivate DEMO mode.</li> </ul>
Strong ice and frost in the freezer compartment.	<ul style="list-style-type: none"> <li>• The items were not adequately packaged.</li> </ul>	<ul style="list-style-type: none"> <li>• Always pack the items well.</li> </ul>
	<ul style="list-style-type: none"> <li>• A door/drawer of the appliance is not tightly closed.</li> </ul>	<ul style="list-style-type: none"> <li>• Close the door/drawer.</li> </ul>
	<ul style="list-style-type: none"> <li>• The door/drawer has been opened too frequently or for too long.</li> </ul>	<ul style="list-style-type: none"> <li>• Do not open the door/drawer too frequently.</li> </ul>
	<ul style="list-style-type: none"> <li>• The door/drawer gasket is dirty, worn, cracked or mismatched.</li> </ul>	<ul style="list-style-type: none"> <li>• Clean the door/drawer gasket or replace it with a new one.</li> </ul>
	<ul style="list-style-type: none"> <li>• Something on the inside prevents the door/drawer from closing properly.</li> </ul>	<ul style="list-style-type: none"> <li>• Reposition the shelves, door racks or internal containers to allow the door/drawer to close.</li> </ul>
The sides of the appliance are warm.	<ul style="list-style-type: none"> <li>• This is normal.</li> </ul>	

# Резюме

---

ОПИСАНИЕ НА ПРОДУКТА .....	2
УПОТРЕБА .....	3
Употреба .....	3
Управление на режима на готовност на дисплея.....	4
Режим.....	4
Настройка на температурата на хладилника .....	4
Настройка на температурата на фризера.....	4
Персонализирана температура .....	5
Функция „Super Cool“ .....	5
Функция „Super Freeze“ .....	6
Режим „Eco“ .....	6
Функция „Holiday“ .....	7
Размразяване .....	7
Демонстрационен режим .....	7
Кодове за грешки .....	7
Процедура за сдвояване с приложението .....	8
Употреба на Wi-Fi .....	9
ОТСТРАНЯВАНЕ НА НЕИЗПРАВНОСТИ.....	10

## ОПИСАНИЕ НА ПРОДУКТА



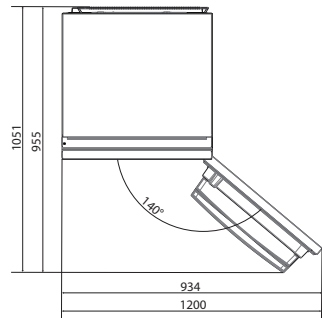
\* Най-енергоспестяващата конфигурация изисква чекмеджетата, кутията за храна и рафтовете да бъдат разположени в продукта и вентилаторът да бъде изключен, моля, вижте горните снимки.

\*\* Изображенията по-горе са само за справка. Действителната конфигурация ще зависи от физическия продукт или декларацията на дистрибутора.

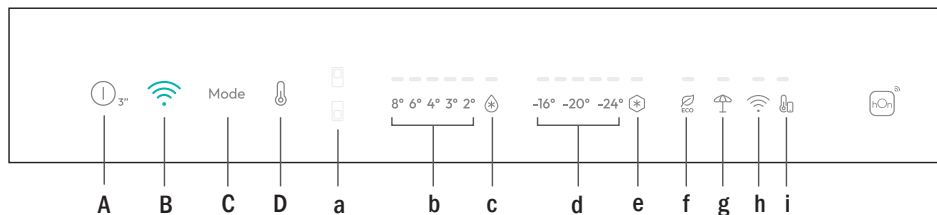
### Изисквания за пространство

Вратата на уреда трябва да може да се отваря докрай, както е показано. Оставете достатъчно място за удобно отваряне на вратите и чекмеджетата. Спазвайте разстояние от най-малко 50 мм между страничните стени на продукта и съседните части.

540 мм Шкаф: Ширина: 934 мм  
Дълбочина: 955 мм  
700 мм Шкаф: Ширина: 1200 мм  
Дълбочина: 1051 мм



## УПОТРЕБА



- A. Бутон „ON/OFF“, натиснете за 3 секунди. Уредът се включва с продължителна звукова индикация (1 секунда).
- B. Бутон „Wi-Fi“, използвани за свързване на уреда
- C. Бутон „Mode“, използва се за избор между Хладилник, Фризер, Еко и Ваканция
- D. Бутон „TEMP“, използва се за избор между температурни нива (също Super Cool и Super Freeze)
- a. Иконата на хладилната/фризерната област показва кое отделение на уреда е избрано
- b. Температурните нива на хладилника показват коя е избраната температура
- c. Иконата „Super Cool“ показва дали функцията е активирана
- d. Температурните нива на фризера показват коя е избраната температура
- e. Иконата „Super Freeze“ показва дали функцията е активирана
- f. Иконата „Eco mode“ показва дали еко режимът е активиран
- g. Иконата на функцията „Holiday“ показва дали функцията е активирана
- h. Иконата „Wi-Fi“ показва дали Wi-Fi мрежата работи и уредът е свързан
- i. Иконата за персонализирана температура показва дали температурата е избрана от приложението

### Употреба

- Включете уреда в електрическата мрежа и той автоматично се включва с дълга звукова обратна връзка (1 секунда). Всички светодиоди се включват (1 секунда), след което светодиодите за температурата на хладилника и светодиодите на фризера светват постоянно.
- Температурата на хладилника ще се зададе автоматично на 4 °C, а на фризера на -18 °C.  
**ЗАБЕЛЕЖКА:** изчакайте поне 2/3 часа, преди да поставите храната в уреда, за да сте сигурни, че температурата в хладилника е достигната.
- В случай на спиране на тока, последната настройка на нивото на охлаждане се възстановява.
- За да възстановите настройката по подразбиране, задръжте ключа на вратата вътре в хладилника и едновременно натискайте бутона „ON/OFF“ за 5 секунди.
- Препоръчително е при нормални работни условия (през пролетта и есента) да зададете температурата на 4 °C. През лятото или когато температурата на околната среда е висока е препоръчително да зададете температурата на 6-8 °C, за да се гарантират температурите на хладилника и фризера и да се намали продължителното време на работа на хладилника. През зимата когато температурата на околната среда е ниска е препоръчително да зададете температурата на 3-4 °C, за да се избегне честото включване/ изключване на хладилника.

## Управление на режима на готовност на дисплея

- Ако вратата е затворена -> дисплея е в режим на готовност (всички светодиоди са изключени)
- Ако вратата е отворена -> светодиодът за текущата температура на хладилника и светодиодът за температурата на фризера са включени (постоянно).
- Светодиодът на режим ECO + светодиодът на режим Holiday са включени (постоянно), ако са избрани преди това.
- Дисплеят е готов за приемане на входяща информация (не е необходимо да го активирате чрез докосване).

## Режим

Бутонът за режим се използва за превключване между различните режими: Съответният светодиод се включва и изборът се потвърждава веднага (без примигване). Кратка звукова индикация потвърждава избора.

## Настройка на температурата на хладилника

Когато панелът на дисплея е включен, изберете „настройка на температурата на хладилника“, като натиснете бутона MODE. Светодиодът от зоната на хладилника светва. Натиснете бутона „TEMP“, докато се настрои желаната температура. Стойността на температурата се променя по следния начин: 8 °C -> 6 °C -> 4 °C -> 3 °C -> 2 °C -> супер охлаждане -> 8 °C... Съответният светодиод се включва и изборът се потвърждава веднага (без примигване). Кратка звукова индикация потвърждава избора.

## Настройка на температурата на фризера

Когато панелът на дисплея е включен, изберете „настройка на температурата на фризера“, като натиснете бутона MODE. Светодиодът от зоната на фризера светва. Натиснете бутона „TEMP“, докато се настрои желаната температура. Стойността на температурата се променя по следния начин: -16 °C -> -18 °C -> -20 °C -> -22 °C -> -24 °C -> Супер замразяване->-16 °C... Съответният светодиод се включва и изборът се потвърждава веднага (без примигване). Кратка звукова индикация потвърждава избора.

## Имайте предвид:

Превключването от хладилни към фризерни зони и обратно става незабавно, когато потребителят натисне бутона MODE и изборът е незабавно активен. Светодиодите за температура не мигат.



## Персонализирана температура

Възможно е да се избере температура от 2 °C до 8 °C за хладилника и от -16 °C до -24 °C за фризера. Когато температурата е избрана от приложението, иконата за персонализираната температура се включва, докато всички светодиоди за температура на даденото отделение се изключват (т.е. ако температурата на хладилника е избрана от приложението, светодиодите от 2 °C до 8 °C се изключват).

Ако температурата на фризера е избрана от приложението, светодиодите от -16 °C до -24 °C се изключват).

Ако само една зона (фризер или хладилник) има персонализирана температура, изборът на температурата на другата зона не се променя и светодиодът на избраната температура от тази зона остава включен.

Дълга звукова индикация (1 секунда) потвърждава, че връзката е завършена.

## Функция „Super Cool“

Препоръчително е да включите функцията „Super Cool“, ако трябва да съхранявате голямо количество храна (например след покупка). Функцията „Super Cool“ ускорява охлаждането на прясната храна и предпазва вече съхранените продукти от нежелано затопляне. Когато функцията е активирана, температурата на хладилника се задава автоматично на 2 °C. Как се използва функцията „Super Cool“:

- Функцията може да се активира чрез продължително натискане на бутона „TEMP“, за да изберете хладилното отделение, след което бързо натискане на бутона „TEMP“, докато светодиодът на иконата „Super Cool“ не се включи, или може да се включи от приложението. Когато функцията е активирана, светодиодът на „Super Cool“ винаги е включен.
- За да излезете от функцията „Super Cool“, натиснете бутона „TEMP“ или я изключете от приложението.
- Функцията „Super Cool“ автоматично се изключва след над 12 часа работа.
- Когато „Super Cool“ завърши, иконата на контролния панел се изключва и предишното зададено ниво на охлаждане се възстановява.

**Забележка:** Функцията „Super Cool“ и „Super Freeze“ не могат да се активират едновременно.

## **Функция „Super Freeze“**

Функцията „Super Freeze“ ускорява замразяването на прясната храна и предпазва вече съхранените продукти от нежелано затопляне. Ако голямо количество храна трябва да се замрази, се препоръчва функцията „Super Freeze“ да се включи 24 часа преди използването. Когато функцията е активирана, температурата се задава автоматично на -22 °C.

Как се използва функцията „Super Freeze“:

- Функцията може да се стартира с продължително натискане на бутона „TEMP“, за да изберете фризерното отделение, след което бързо натискане на бутона „TEMP“, докато светодиодът на иконата „Super Freeze“ не се включи, или може да се включи от приложението. Когато функцията е активирана, светодиодът на „Super Freeze“ винаги е включен.
- За да излезете от функцията „Super Freeze“, натиснете бутона „TEMP“ или я изключете от приложението.
- Функцията „Super Freeze“ автоматично се изключва след над 50 часа работа.
- Когато „Super Freeze“ завърши, иконата на контролния панел се изключва и предишното зададено ниво на замразяване се възстановява.

**Забележка:** Функцията „Super Cool“ и „Super Freeze“ не могат да се активират едновременно.

## **Режим „Есо“**

Режимът „Есо“ може да се активира, за да се оптимизира работата на уреда за най-доброто съхранение на храната. Еко режимът автоматично ще зададе температурата на 4 °C за хладилник и на -18 °C за фризера.

Как се използва режим „Есо“:

- Функцията може да се активира от контролния панел чрез натискане на бутона „Mode“, докато иконата на еко режима се включи (звук сигнал потвърждава избора), или като изберете функцията от приложението. Когато функцията е активирана, иконата на еко режима винаги е включена.
- За да излезете от еко режима, изключете го от приложението или изберете друга функция от контролния панел.
- Когато еко режимът завърши, иконата на контролния панел се изключва и предишното зададено ниво на охлаждане се възстановява.

## **Функция „Holiday“**

Функцията „Holiday“ може да се използва за намаляване на консумацията на енергия на уреда, когато не се използва редовно. Когато функцията е включена, светодиодните индикатори ще бъдат изключени (дори ако вратата е отворена) и хладилникът ще работи в режим на ниска консумация на енергия, докато фризерът ще продължи да работи нормално.

Как се използва функцията „Holiday“:

- Функцията може да се активира от контролния панел чрез натискане на бутона „Mode“, докато иконата „Holiday“ се включи (звук сигнал потвърждава избора), или като изберете функцията от приложението. Когато функцията е активирана, иконата „Holiday“ винаги е включена.
- За да излезете от функцията „Holiday“, изключете я от приложението или изберете друга функция от контролния панел.
- Когато функцията „Holiday“ завърши, иконата на контролния панел се изключва и предишното зададено ниво на охлаждане се възстановява.

## **Размразяване**

Когато замръзналият слой във фризерното отделение надвиши 3 мм, се препоръчва размразяване, тъй като се увеличава консумацията на енергия.

- Изключете уреда и извадете захранващия кабел.
- Извадете замразената храна и временно я поставете на хладно място.
- Оставете вратата на фризера отворена и оставете водата да се събере на дъното на уреда.
- Когато размразяването приключи, подсушете добре вътрешността.
- Свържете отново захранващия кабел и задайте желаните стойности.
- Изчакайте малко и отново поставете замразените храни.

## **Демонстрационен режим**

За да влезете в демонстрационен режим, с отключен дисплей задръжте натиснат бутона „Wi-Fi“ (B) и натиснете бутона „MODE“ (C) 5 пъти в рамките на 5 секунди. За да излезете от демонстрационния режим, изпълнете същата операция или изключете хладилника.

## **Кодове за грешки**

- Грешка при комуникация

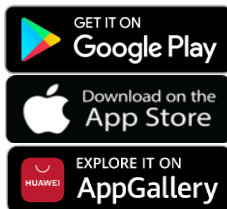
Светодиодите на 8 °C – 6 °C – 4 °C – 3 °C – 2 °C се включват последователно, което означава, че е имало грешка при комуникация между главния контролен панел и електронния дисплей. Моля, свържете се с отдела за техническа помощ, за да Ви помогнат за решаването на проблема

## УПОТРЕБА НА WI-FI

### Процедура за сдвояване с приложението

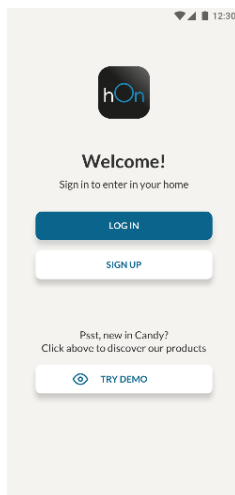
#### Стъпка 1

- Изтеглете приложението hOn от магазините



#### Стъпка 2

- Създайте свой профил в приложението hOn или влезте, ако вече имате такъв



#### Стъпка 3

- Следвайте инструкциите за сдвояване в приложението hOn

## Употреба на Wi-Fi

Когато панелът на дисплея е включен, кратко натискане на Wi-Fi бутона стартира синхронизирането и Wi-Fi светодиодът започва да мига. Следвайте инструкциите от приложението, за да завършите свързването.

Дълга звукова индикация (1 секунда) потвърждава, че връзката е установена и светодиодът започва да свети постоянно.

Ако Wi-Fi все още не е конфигуриран, когато хладилникът се включи, той автоматично ще влезе в режим на конфигуриране и ще запази това състояние за 30 минути. За да използвате режима на конфигуриране:

- Натиснете бутона „Wi-Fi“ за 2 секунди, хладилникът влиза в режим на конфигуриране на Wi-Fi и се подава звуков сигнал. Иконата „Wi-Fi“ започва да мига.
- Следвайте инструкциите в приложението, за да конфигурирате Wi-Fi (вж. по-горе).
- След като Wi-Fi е конфигуриран и връзката е установена, иконата Wi-Fi е включена и свети постоянно.
- След 30 минути без извършване на никаква операция, Wi-Fi автоматично ще излезе от режима на конфигуриране.
- Ако Wi-Fi вече е конфигуриран, той автоматично ще се свърже според информацията за конфигурацията.

За да нулирате Wi-Fi, натиснете в продължение на 2 секунди бутона „Wi-Fi - Mode“, Wi-Fi се нулира и се подава звуков сигнал. След това Wi-Fi автоматично ще влезе в режим на конфигурация (иконата Wi-Fi ще започне да мига отново).

За да изключите Wi-Fi, натиснете бутона „Wi-Fi“ за 3 секунди.

## Радиомодул - Технически данни

Честота (OFR)	2400 MHz-2843.5 MHz
Честоти на канала	2412...2472 MHz(размер на стъпката 5 MHz)
Максимална мощност(EIRP)	100 mW

Типът радиооборудване е в съответствие с Директивата 2014/53/EU.

## ОТСТРАНЯВАНЕ НА НЕИЗПРАВНОСТИ

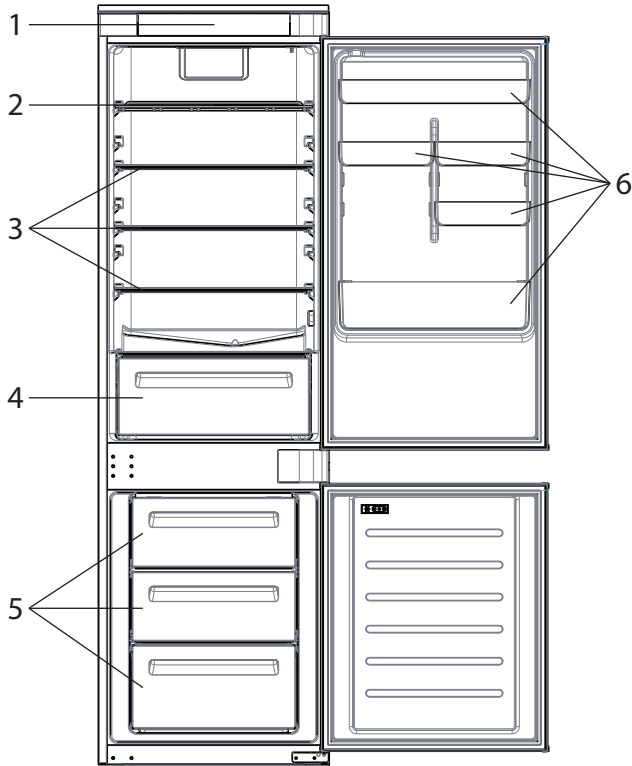
Вътрешната електрическа крушка не свети.	<ul style="list-style-type: none"> <li>• Няма ток.</li> </ul>	<ul style="list-style-type: none"> <li>• Захранващият кабел не е включен правилно.</li> <li>• Проверете дали уредът не е изключен (вижте Настройката на температурата).</li> <li>• Проверете дали електрическият контакт работи правилно (напр. с друг електрически уред).</li> </ul>
	<ul style="list-style-type: none"> <li>• Активиран е ваканционният режим „Holiday“.</li> </ul>	<ul style="list-style-type: none"> <li>• Деактивирайте ваканционния режим „Holiday“.</li> </ul>
Вътрешната температура на хладилника и/или фризера не е достатъчно ниска.	<ul style="list-style-type: none"> <li>• Вратите не са затворени.</li> </ul>	<ul style="list-style-type: none"> <li>• Проверете дали вратата и уплътненията се затварят правилно.</li> </ul>
	<ul style="list-style-type: none"> <li>• Вратите се отварят често.</li> </ul>	<ul style="list-style-type: none"> <li>• Избягвайте ненужно отваряне на вратите за продължително време.</li> </ul>
	<ul style="list-style-type: none"> <li>• Неправилна настройка на температурата.</li> </ul>	<ul style="list-style-type: none"> <li>• Проверете настройката на температурата и, ако е възможно, задайте по-ниска температура (вижте Настройката на температурата).</li> </ul>
	<ul style="list-style-type: none"> <li>• Хладилникът и/или фризерът са твърде пълни.</li> </ul>	<ul style="list-style-type: none"> <li>• Изчакайте температурата на хладилника/фризера да се стабилизира.</li> <li>• Избягвайте прекомерно претъпяване на хладилника и фризера.</li> </ul>
	<ul style="list-style-type: none"> <li>• Температурата на околната среда е твърде ниска.</li> </ul>	<ul style="list-style-type: none"> <li>• Преместете уреда на по-топло място или затоплете сегашната стая.</li> </ul>
	<ul style="list-style-type: none"> <li>• Съхранени са топли храни.</li> </ul>	<ul style="list-style-type: none"> <li>• Винаги оставайте храните да се охладят, преди да ги съхранявате.</li> </ul>
Храната в хладилника замръзва.	<ul style="list-style-type: none"> <li>• Неправилна настройка на температурата.</li> </ul>	<ul style="list-style-type: none"> <li>• Проверете настройката на температурата и, ако е възможно, увеличете температурата.</li> </ul>
	<ul style="list-style-type: none"> <li>• Храна в контакт със задната стена.</li> </ul>	<ul style="list-style-type: none"> <li>• Дръжте храната далеч от задната стена на хладилника.</li> </ul>
Дъното на хладилното отделение е мокро или има капки вода.	<ul style="list-style-type: none"> <li>• Дренажният маркуч може да е запушен.</li> </ul>	<ul style="list-style-type: none"> <li>• Почистете дренажния маркуч с клечка или подобен предмет, за да може водата да се оттича.</li> </ul>
Наличие на капки вода или заскрежаване по задната стена на хладилника.	<ul style="list-style-type: none"> <li>• В зависимост от функцията по време на работа върху задната стена на хладилника се образуват капки вода или заскрежаване.</li> </ul>	<ul style="list-style-type: none"> <li>• Това не е дефект.</li> </ul>
	<ul style="list-style-type: none"> <li>• Съхранени са топли храни.</li> </ul>	<ul style="list-style-type: none"> <li>• Винаги оставайте храните да се охладят, преди да ги съхранявате.</li> </ul>
	<ul style="list-style-type: none"> <li>• Има отворени съдове, съдържащи храни или течности.</li> </ul>	<ul style="list-style-type: none"> <li>• Винаги дръжте храната и течностите покрити.</li> </ul>
	<ul style="list-style-type: none"> <li>• Вратите не са затворени.</li> </ul>	<ul style="list-style-type: none"> <li>• Проверете дали вратата и уплътненията се затварят правилно.</li> </ul>
	<ul style="list-style-type: none"> <li>• Вратите се отварят често.</li> </ul>	<ul style="list-style-type: none"> <li>• Избягвайте ненужно отваряне на вратите за продължително време.</li> </ul>
Наличие на вода в чекмеджето за зеленчуци.	<ul style="list-style-type: none"> <li>• Липса на циркулация на въздуха.</li> </ul>	<ul style="list-style-type: none"> <li>• Уверете се, че уредът ви не е прекалено претъплен.</li> </ul>
	<ul style="list-style-type: none"> <li>• Зеленчуци и плодове с твърде много съдържание на влага.</li> </ul>	<ul style="list-style-type: none"> <li>• Увийте или сложете плодовете и зеленчуците в пластмасов продукт, напр. домакинско фолио, торбички или пластмасови кутии.</li> </ul>
Моторът работи постоянно.	<ul style="list-style-type: none"> <li>• Вратите не са затворени.</li> </ul>	<ul style="list-style-type: none"> <li>• Уверете се, че вратите са затворени и проверете дали уплътненията се затварят правилно.</li> </ul>
	<ul style="list-style-type: none"> <li>• Вратите се отварят често.</li> </ul>	<ul style="list-style-type: none"> <li>• Избягвайте ненужно отваряне на вратите за продължително време.</li> </ul>
	<ul style="list-style-type: none"> <li>• Температурата на околната среда е много висока.</li> </ul>	<ul style="list-style-type: none"> <li>• Уверете се, че температурата на околната среда е в диапазона, посочен в спецификациите на етикета на уреда.</li> <li>• Настройте дисплея/термостата на по-висока температура.</li> </ul>
	<ul style="list-style-type: none"> <li>• Уредът е бил изключен (без захранване) за продължително време.</li> </ul>	<ul style="list-style-type: none"> <li>• Обикновено на уреда са необходими 8 – 12 часа, за да се охладят напълно.</li> </ul>
Замразената храна се размразява.	<ul style="list-style-type: none"> <li>• Температурата на околната среда е твърде ниска.</li> </ul>	<ul style="list-style-type: none"> <li>• Преместете уреда на по-топло място или затоплете сегашната стая.</li> </ul>
	<ul style="list-style-type: none"> <li>• Вратата на фризера не е затворена.</li> </ul>	<ul style="list-style-type: none"> <li>• Уверете се, че вратата е затворена и че уплътненията уплътняват правилно.</li> </ul>
Аларма за вратата на хладилника.	<ul style="list-style-type: none"> <li>• Алармата на вратата на хладилника (акустичен звук/сигнал) се активира, когато вратата остане отворена за повече от 3 минути.</li> </ul>	<ul style="list-style-type: none"> <li>• Избягвайте да оставяте вратата отворена, когато не е необходимо. Звуковият сигнал спира, когато вратата се затвори.</li> </ul>
Уредът издава звуци като клоцане, бръмчене, шракане, скърцане.	<ul style="list-style-type: none"> <li>• Без повреди. Работи мотор, напр. хладилен уред, вентилатор. Хладилният агент се влива в тръбите. Моторът, превключвателите и електромагнитните клапани се включват или изключват.</li> </ul>	<ul style="list-style-type: none"> <li>• Не е необходимо действие.</li> </ul>
	<ul style="list-style-type: none"> <li>• Уредът не е разположен върху равна повърхност.</li> </ul>	<ul style="list-style-type: none"> <li>• Регулирайте крачетата, за да подравните уреда.</li> </ul>
	<ul style="list-style-type: none"> <li>• Уредът се допира до близкостоящ предмет.</li> </ul>	<ul style="list-style-type: none"> <li>• Премахнете близкостоящите предмети.</li> </ul>
Уредът не охлажда, светят показателите за температура и осветление.	<ul style="list-style-type: none"> <li>• Демонстрационният режим е активиран.</li> </ul>	<ul style="list-style-type: none"> <li>• Деактивирайте демонстрационния режим „DEMO“.</li> </ul>
Много лед и заскрежаване във фризерното отделение.	<ul style="list-style-type: none"> <li>• Храните не са добре опаковани.</li> </ul>	<ul style="list-style-type: none"> <li>• Винаги опаковайте добре храните.</li> </ul>
	<ul style="list-style-type: none"> <li>• Врата/чекмедже на уреда не е затворена/о плътно.</li> </ul>	<ul style="list-style-type: none"> <li>• Затворете вратата/чекмеджето.</li> </ul>
	<ul style="list-style-type: none"> <li>• Вратите/чекмеджетата са били отворяни твърде често или за прекалено дълго време.</li> </ul>	<ul style="list-style-type: none"> <li>• Не отваряйте вратата/чекмеджето твърде често.</li> </ul>
	<ul style="list-style-type: none"> <li>• Уплътнението на вратата/чекмеджето е замърсено, износено, напукано или разместено.</li> </ul>	<ul style="list-style-type: none"> <li>• Почистете уплътнението на вратата/чекмеджето или го подменете с ново.</li> </ul>
	<ul style="list-style-type: none"> <li>• Нещо отъфрете пречи на вратата/чекмеджето да се затвори правилно.</li> </ul>	<ul style="list-style-type: none"> <li>• Разместете рафтовете, рафтовете за вратите или вътрешните контейнери, така, че да може вратата/чекмеджето да се затвори.</li> </ul>
Страничните стени на уреда са топли.	<ul style="list-style-type: none"> <li>• Това е нормално.</li> </ul>	

# Shrnutí

---

POPIS VÝROBKU .....	2
POUŽÍVÁNÍ .....	3
Používání .....	3
Správa pohotovostního režimu displeje.....	4
Režimy .....	4
Nastavení teploty chladničky .....	4
Nastavení teploty mrazničky .....	4
Přizpůsobená teplota .....	5
Funkce Přechlazení.....	5
Funkce Supermrazení.....	6
Režim Eco .....	6
Funkce Dovolená.....	7
Odmrazování .....	7
Režim Demo .....	7
Chybové kódy .....	7
Postup párování s aplikací.....	8
Používání Wi-Fi .....	9
ŘEŠENÍ PROBLÉMŮ.....	10

## POPIS VÝROBKU



1. Ovládací panel
2. Police na víno
3. Police
4. Přihrádka na ovoce a zeleninu
5. Boxy mrazničky
6. Police na dveřích

\* Energeticky nejúspornější konfigurace vyžaduje, aby byly ve spotřebiči nainstalovány přihrádky, schránka na potraviny a police a ventilátor byl vypnutý, viz obrázky výše.

\*\* Výše vyobrazené obrázky jsou pouze informativní. Aktuální konfigurace bude záviset na konkrétním fyzickém výrobku nebo prohlášení distributora.

### Požadavky na místo

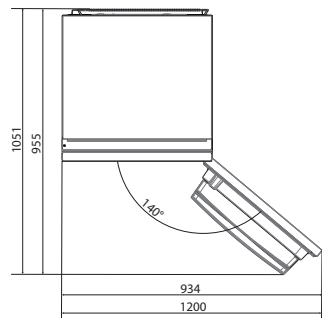
Musí být možné úplně otevřít dveře, jak je znázorněno na obrázku. Zajistěte dostatek místa pro pohodlné otvírání dveří a zásuvek. Mezi bočními stěnami výrobku a přilehlými díly dodržujte vzdálenost minimálně 50 mm.

540 mm Skříňka: Šířka: 934 mm

Hloubka: 955 mm

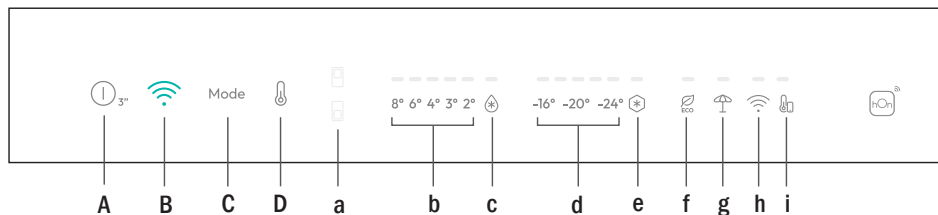
700 mm Skříňka: Šířka: 1200 mm

Hloubka: 1051 mm





# POUŽÍVÁNÍ



- A. Tlačítko VYPÍNAČ, stiskněte po dobu 3 sekund. Spotřebič se zapne s dlouhou zvukovou odezvou (1 s).
  - B. Tlačítko Wi-Fi slouží k připojení spotřebiče
  - C. Tlačítko Mode slouží k výběru mezi lednicí, mrazákem, Eco a Holiday
  - D. Tlačítko TEPLOTA slouží k výběru mezi úrovněmi teplot (také Super Cool a Super Freeze)
- a. Ikona chladničky/mrazničky ukazuje, který prostor spotřebiče je vybrán
  - b. Úrovně teploty chladničky ukazují, jaká teplota byla zvolena
  - c. Ikona Přechlazení signalizuje, zda byla aktivována funkce Přechlazení
  - d. Úrovně teploty mrazničky ukazují, jaká teplota byla zvolena pro mrazničku
  - e. Ikona Supermrazení signalizuje, zda byla aktivována funkce Supermrazení
  - f. Ikona režimu Eco signalizuje, zda je aktivován režim Eco
  - g. Ikona funkce Dovolená signalizuje, zda je aktivována funkce Dovolená
  - h. Ikona Wi-Fi signalizuje, zda funguje Wi-Fi a spotřebič je připojený
  - i. Ikona přizpůsobené teploty signalizuje, zda byla teplota zvolena aplikací

## Používání

- Spotřebič zapojte do zásuvky a automaticky se zapne s dlouhou akustickou zpětnou vazbou (1 sekunda). Všechny LED diody se rozsvítí (1 sekunda), poté se LED kontrolka teploty chladničky a LED mrazáku trvale rozsvítí.
- Teplota se automaticky nastaví na 4 °C v chladničce a -18 °C v mrazničce.  
**POZNÁMKA:** Než vložíte do spotřebiče potraviny, počkejte nejméně 2–3 hodiny, aby bylo jisté, že uvnitř chladničky je správná teplota.
- V případě výpadku napájení bude obnovena naposledy nastavená úroveň chlazení.
- Chcete-li obnovit výchozí nastavení, držte stisknutý dveřní spínač uvnitř chladničky a současně na 5 sekund stiskněte tlačítko VYPÍNAČ.
- Za normálních podmínek (na jaře a na podzim) se doporučuje nastavit teplotu na 4 °C. V létě při vysoké teplotě okolí se doporučuje nastavit teplotu na 6~8 °C, aby bylo zaručeno zachování teploty v chladničce a mrazničce a omezila se doba nepřetržitého chodu chladničky. V zimě při nízké teplotě okolí se doporučuje nastavit teplotu na 3~4 °C, aby se zamezilo častému spouštění a zastavování chladničky.

## **SSpráva pohotovostního režimu displeje**

- Pokud jsou dvířka zavřená -> displej v pohotovostním režimu (všechny kontrolky jsou vypnuté)
- Pokud jsou dvířka otevřená -> rozsvítí se kontrolka aktuální teploty chladničky a kontrolka teploty mrazničky (trvale).
- Kontrolka režimu ECO + kontrolka režimu Holiday se rozsvítí (trvale), pokud byla dříve zvolena.
- Displej je připraven přijímat vstupy (není nutné jej aktivovat dotykem).

## **Režimy**

Tlačítko režimu se používá k přepínání mezi různými režimy.

Příslušná LED se rozsvítí a výběr je okamžitě potvrzen (neblinká).

Krátká zvuková odezva potvrdí výběr.

## **Nastavení teploty chladničky**

Když je panel displeje zapnutý, stisknutím tlačítka MODE zvolte „nastavení teploty chladničky“. Rozsvítí se kontrolka prostoru chladničky.

Stiskněte tlačítko „TEMP“, dokud nenastavíte požadovanou teplotu.

Teplota se mění následovně: 8 °C -> 6 °C -> 4 °C -> 3 °C -> 2 °C -> super chlazení -> 8°C...

Příslušná kontrolka se rozsvítí a výběr je okamžitě potvrzen (neblinká).

Krátká zvuková odezva potvrdí výběr.

## **Nastavení teploty mrazničky**

Když je panel displeje zapnutý, stisknutím tlačítka MODE zvolte „nastavení teploty mrazničky“. Rozsvítí se kontrolka prostoru mrazničky.

Stiskněte tlačítko „TEMP“, dokud nenastavíte požadovanou teplotu.

Teplota se mění následovně: -16 °C -> -18 °C -> -20 °C -> -22 °C -> -24 °C ->

Super mrazení->-16 °C...

Příslušná kontrolka se rozsvítí a výběr je okamžitě potvrzen (neblinká).

Krátká zvuková odezva potvrdí výběr.

## **Poznámka**

Přepínání z prostoru chladničky do mrazničky a naopak je v případě stisknutí tlačítka

MODE okamžitě a volba je okamžitě aktivní

Kontrolky teploty neblinkají

## **Přizpůsobená teplota**

Pro chladničku lze zvolit teplotu od 2 °C do 8 °C a pro mrazničku od -16 °C do -24 °C. Když je teplota zvolena aplikací, rozsvítí se ikona přizpůsobené teploty, zatímco všechny kontrolky teploty příslušného prostoru zhasnou (tj. pokud je z aplikace zvolena teplota chladničky, zhasnou kontrolky 2 °C až 8 °C).

Pokud je z aplikace zvolena teplota mrazničky, zhasnou kontrolky -16 °C až -24 °C).

Jestliže má přizpůsobenou teplotu pouze jeden prostor (chladničky nebo mrazničky), volba teploty druhého prostoru se nezmění a stále svítí kontrolky zvolené teploty tohoto prostoru.

Dlouhá zvuková odezva (1 s) potvrzuje dokončení připojení.

## **Funkce Přechlazení**

Doporučuje se zapínat funkci Přechlazení v případě, že bylo uloženo velké množství potravin (například po nákupu). Funkce Přechlazení urychluje chlazení čerstvých potravin a chrání již uložené zboží před nežádoucím ohřátím. Když je tato funkce aktivována, teplota chladničky se automaticky nastaví na 2 °C.

Jak používat funkci Přechlazení:

- Tuto funkci lze aktivovat dlouhým stisknutím tlačítka TEPLOTA, kterým se vybere prostor chladničky, a potom opakovaným krátkým stisknutím tlačítka TEPLOTA, dokud se nerozsvítí ikona Přechlazení, nebo ji lze zapnout z aplikace. Když je funkce aktivována, vždy svítí kontrolka Přechlazení.
- Chcete-li ukončit funkci Přechlazení, stiskněte tlačítko TEPLOTA, nebo ji vypněte z aplikace.
- Funkce Přechlazení se automaticky ukončí poté, co byla zapnutá déle než 12 hodin.
- Po ukončení funkce Přechlazení zhasne ikona na ovládacím panelu a obnoví se dříve nastavená úroveň chlazení.

**Poznámka:** Funkce Přechlazení a Supermrazení nelze aktivovat současně.

## **Funkce Supermrazení**

Funkce Supermrazení urychluje zmrazování čerstvých potravin a chrání již uložené zboží před nežádoucím ohřátím. Jestliže je třeba zmrazit velké množství potravin, doporučuje se zapnout funkci Supermrazení 24 h před použitím. Když je tato funkce aktivována, teplota se automaticky nastaví na -22 °C.

Jak používat funkci Supermrazení:

- Tuto funkci lze spustit dlouhým stisknutím tlačítka TEPLOTA, kterým se vybere prostor mrazničky, a potom opakovaným krátkým stisknutím tlačítka TEPLOTA, dokud se nerozsvítí ikona Supermrazení, nebo ji lze zapnout z aplikace. Když je funkce aktivována, vždy svítí kontrolka Supermrazení.
- Chcete-li ukončit funkci Supermrazení, stiskněte tlačítko TEPLOTA, nebo ji vypněte z aplikace.
- Funkce Supermrazení se automaticky ukončí poté, co byla zapnutá déle než 50 hodin.
- Po ukončení funkce Supermrazení zhasne ikona na ovládacím panelu a obnoví se dříve nastavená úroveň zmrazování.

**Poznámka:** Funkce Přechlazení a Supermrazení nelze aktivovat současně.

## **Režim Eco**

Režim Eco lze aktivovat za účelem optimalizace výkonu spotřebiče při zachování nejlepších podmínek uchovávání potravin. Režim Eco automaticky nastaví teplotu na 4 °C v chladničce a -18 °C v mrazničce.

Jak používat režim Eco:

- Tuto funkci lze aktivovat na ovládacím panelu opakovaným stisknutím tlačítka „mode“, dokud se nerozsvítí ikona režimu Eco (volba je potvrzena zvukovým signálem), nebo ji lze zvolit z aplikace. Když je funkce aktivována, vždy svítí kontrolka režimu Eco.
- Chcete-li ukončit režim Eco, vypněte ho z aplikace, nebo vyberte jinou funkci na ovládacím panelu.
- Po ukončení režimu Eco zhasne ikona na ovládacím panelu a obnoví se dříve nastavené úrovně chlazení.

## Funkce Dovolená

Funkci Dovolená lze používat ke snížení spotřeby, když se spotřebič nepoužívá pravidelně. Když je tato funkce zapnutá, vypnou se světla LED (i když jsou otevřené dveře) a chladnička poběží v režimu nízké spotřeby energie, zatímco mraznička bude nadále normálně fungovat.

Jak používat funkci Dovolená:

- Tuto funkci lze aktivovat na ovládacím panelu opakovaným stisknutím tlačítka „mode“, dokud se nerozsvítí ikona Dovolená (volba je potvrzena zvukovým signálem), nebo ji lze zvolit z aplikace. Když je funkce aktivována, vždy svítí kontrolka Dovolená.
- Chcete-li ukončit funkci Dovolená, vypněte ji z aplikace, nebo vyberte jinou funkci na ovládacím panelu.
- Po ukončení funkce Dovolená zhasne ikona na ovládacím panelu a obnoví se dříve nastavené úrovně chlazení.

## Odmrazování

Pokud výška námrazy v mrazničce přesáhne 3 mm, zvyšuje se spotřeba energie, a proto se doporučuje provést odmrzení.

- Vypněte spotřebič a odpojte napájecí kabel.
- Vyjměte zmrazené potraviny a dočasně je uložte na chladném místě.
- Nechte dveře mrazničky otevřené a zachytávejte vodu na spodní straně spotřebiče.
- Až odmrzování skončí, důkladně vysušte vnitřek.
- Znovu zapojte napájecí kabel a nastavte požadované hodnoty.
- Chvilí počkejte a potom opět uložte zmrazené potraviny.

## Režim Demo

Chcete-li vstoupit do režimu Demo, s odemknutým displejem držte stisknuté tlačítko Wi-Fi (B) a pětkrát během 5 sekund stiskněte tlačítko MODE (C). Chcete-li opustit režim Demo, proveďte stejný postup, nebo vypněte chladničku.

## Chybové kódy

- Chyba komunikace

Postupně se rozsvěčují kontrolky 8 °C – 6 °C – 4 °C – 3 °C – 2 °C, což znamená, že došlo k chybě v komunikaci mezi hlavní řídicí deskou a deskou displeje. Obráťte se na službu technické pomoci, aby vám pomohla vyřešit problém.

## POUŽÍVÁNÍ WI-FI

### Postup párování s aplikací

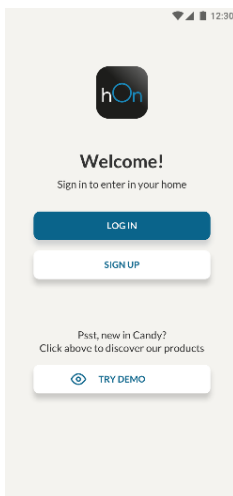
#### Krok 1

- Stáhněte si aplikaci hOn z obchodu s aplikacemi



#### Krok 2

- Vytvořte si účet v aplikaci hOn, nebo se přihlaste, pokud již máte účet



#### Krok 3

- Řiďte se pokyny pro párování v aplikaci hOn

## Používání Wi-Fi

Když je panel displeje zapnutý, krátkým stisknutím tlačítka Wi-Fi se spustí synchronizace a kontrolka Wi-Fi začne blikat. Pro dokončení připojení postupujte podle pokynů v aplikaci.

Dlouhá zvuková odezva (1 s) potvrzuje, že spojení bylo navázáno, a kontrolka zůstává trvale rozsvícená.

Jestliže dosud nebyla nakonfigurována síť Wi-Fi, chladnička po zapnutí automaticky vstoupí do režimu konfigurace a zůstane v tomto stavu po dobu 30 minut. Konfigurační režim se používá takto:

- Na 2 s stisknete tlačítko Wi-Fi, chladnička vstoupí do režimu konfigurace Wi-Fi a ozve se zvukový signál. Začne blikat ikona Wi-Fi.
- Nakonfigurujete síť Wi-Fi podle pokynů v aplikaci (viz výše).
- Jakmile je síť Wi-Fi nakonfigurována a naváže se spojení, rozsvítí se ikona Wi-Fi a bude nepřerušovaně svítit.
- Režim konfigurace Wi-Fi se automaticky ukončí po 30 minutách nečinnosti.
- Pokud je již síť Wi-Fi nakonfigurována, spojení se naváže automaticky podle konfiguračních informací.

Chcete-li resetovat Wi-Fi, na 2 s stisknete tlačítko Wi-Fi - Mode; síť Wi-Fi se resetuje a ozve se zvukový signál. Potom síť Wi-Fi automaticky přejde do režimu konfigurace (ikona Wi-Fi začne opět blikat).

Chcete-li vypnout Wi-Fi, stisknete tlačítko Wi-Fi na 3 s.

## Rádiový modul - Technické údaje

Frekvenční rychlost(OFR)	2400 MHz-2843.5 MHz
Frekvence kanálu	2412...2472 MHz(velikost kroku5 MHz)
Maximální výkon(EIRP)	100 mW

Typ rádiového zařízení je v souladu se směrnicí2014/53/EU.

# ŘEŠENÍ PROBLÉMŮ

Nerozsvítí se žárovka uvnitř spotřebiče.	<ul style="list-style-type: none"> <li>• Vypadek napájení.</li> </ul>	<ul style="list-style-type: none"> <li>• Napájecí kabel je není správně připojený.</li> <li>• Zkontrolujte, zda je spotřebič vypnutý (viz Nastavení teploty).</li> <li>• Zkontrolujte, zda správně funguje síťová zásuvka (např. pomocí jiného elektrického zařízení).</li> </ul>
	<ul style="list-style-type: none"> <li>• Je aktivován režim Holiday.</li> </ul>	<ul style="list-style-type: none"> <li>• Deaktivujte režim Holiday.</li> </ul>
Teplota uvnitř chladničky a/nebo mrazničky není dostatečně nízká.	<ul style="list-style-type: none"> <li>• Nejsou zavřená dvířka.</li> </ul>	<ul style="list-style-type: none"> <li>• Zkontrolujte, zda jsou dvířka správně zavřená a těsnění těsní.</li> </ul>
	<ul style="list-style-type: none"> <li>• Dvířka se často otvírají.</li> </ul>	<ul style="list-style-type: none"> <li>• Nějakou dobu zbytečně neotvírejte dvířka.</li> </ul>
	<ul style="list-style-type: none"> <li>• Nesprávné nastavení teploty.</li> </ul>	<ul style="list-style-type: none"> <li>• Zkontrolujte nastavení teploty a pokud možno nastavte nižší teplotu (viz Nastavení teploty).</li> </ul>
	<ul style="list-style-type: none"> <li>• V chladničce a/nebo mrazničce je příliš mnoho potravin.</li> </ul>	<ul style="list-style-type: none"> <li>• Počkejte, než se stabilizuje teplota chladničky/mrazničky.</li> <li>• Nepřepíňujte chladničku a mrazničku.</li> </ul>
	<ul style="list-style-type: none"> <li>• Okolní teplota je příliš nízká.</li> </ul>	<ul style="list-style-type: none"> <li>• Přemístěte spotřebič na teplejší místo nebo zvýšte teplotu v aktuální místnosti.</li> </ul>
	<ul style="list-style-type: none"> <li>• Byly uloženy teplé potraviny.</li> </ul>	<ul style="list-style-type: none"> <li>• Před uložením vždy nechte potraviny vychladnout.</li> </ul>
Potraviny v chladničce zmraznou.	<ul style="list-style-type: none"> <li>• Nesprávné nastavení teploty.</li> </ul>	<ul style="list-style-type: none"> <li>• Zkontrolujte nastavení teploty a pokud možno ji zvýšte.</li> </ul>
	<ul style="list-style-type: none"> <li>• Potraviny se dotýkají zadní stěny.</li> </ul>	<ul style="list-style-type: none"> <li>• Neumístujte potraviny až k zadní stěně chladničky.</li> </ul>
Dno vnitřního prostoru chladničky je mokré nebo jsou na něm kapky vody.	<ul style="list-style-type: none"> <li>• Možná je ucpaná vypouštěcí hadice.</li> </ul>	<ul style="list-style-type: none"> <li>• Vyčistěte vypouštěcí hadici tyčí nebo podobným předmětem, aby mohla odvádět vodu.</li> </ul>
Na zadní stěně chladničky jsou kapky vody nebo námraza.	<ul style="list-style-type: none"> <li>• V závislosti na funkci se za provozu na zadní stěně chladničky vytvářejí kapky vody nebo námraza.</li> </ul>	<ul style="list-style-type: none"> <li>• Nejedná se o závadu.</li> </ul>
	<ul style="list-style-type: none"> <li>• Byly uloženy teplé potraviny.</li> </ul>	<ul style="list-style-type: none"> <li>• Před uložením vždy nechte potraviny vychladnout.</li> </ul>
	<ul style="list-style-type: none"> <li>• Uvnitř jsou otevřené nádoby na potraviny nebo tekutiny.</li> </ul>	<ul style="list-style-type: none"> <li>• Vždy zavírejte potraviny a tekutiny.</li> </ul>
	<ul style="list-style-type: none"> <li>• Nejsou zavřená dvířka.</li> </ul>	<ul style="list-style-type: none"> <li>• Zkontrolujte, zda jsou dvířka správně zavřená a těsnění těsní.</li> </ul>
	<ul style="list-style-type: none"> <li>• Dvířka se často otvírají.</li> </ul>	<ul style="list-style-type: none"> <li>• Nějakou dobu zbytečně neotvírejte dvířka.</li> </ul>
Voda v přihrádce na zeleninu.	<ul style="list-style-type: none"> <li>• Nedostatečná cirkulace vzduchu.</li> </ul>	<ul style="list-style-type: none"> <li>• Ověřte, zda není spotřebič příliš plný.</li> </ul>
	<ul style="list-style-type: none"> <li>• Příliš vlhká zelenina a ovoce.</li> </ul>	<ul style="list-style-type: none"> <li>• Uzávěřte ovoce a zeleninu do plastového materiálu, například do potravinářské fólie, sáčku nebo nádoby.</li> </ul>
Motor běží nepřetržitě.	<ul style="list-style-type: none"> <li>• Nejsou zavřená dvířka.</li> </ul>	<ul style="list-style-type: none"> <li>• Zkontrolujte, zda jsou dvířka zavřená a těsnění správně těsní.</li> </ul>
	<ul style="list-style-type: none"> <li>• Dvířka se často otvírají.</li> </ul>	<ul style="list-style-type: none"> <li>• Nějakou dobu zbytečně neotvírejte dvířka.</li> </ul>
	<ul style="list-style-type: none"> <li>• Okolní teplota je velmi vysoká.</li> </ul>	<ul style="list-style-type: none"> <li>• Ověřte, zda je okolní teplota v rozsahu uvedeném ve specifikacích na štítku spotřebiče.</li> <li>• Nastavte vyšší teplotu na obrazovce displeje/termostatu.</li> </ul>
	<ul style="list-style-type: none"> <li>• Spotřebič byl nějakou dobu vypnutý (bez napájení).</li> </ul>	<ul style="list-style-type: none"> <li>• Obvykle trvá 8–12 h, než se spotřebič úplně ochladí.</li> </ul>
Zmražené potraviny rozmrazávají.	<ul style="list-style-type: none"> <li>• Okolní teplota je příliš nízká.</li> </ul>	<ul style="list-style-type: none"> <li>• Přemístěte spotřebič na teplejší místo nebo zvýšte teplotu v aktuální místnosti.</li> </ul>
	<ul style="list-style-type: none"> <li>• Dvířka mrazničky nejsou zavřená.</li> </ul>	<ul style="list-style-type: none"> <li>• Zkontrolujte, zda jsou dvířka zavřená a těsnění správně těsní.</li> </ul>
Alarm dvířek chladničky.	<ul style="list-style-type: none"> <li>• Kdyžkoli zůstanou dvířka otevřená déle než 3 minuty, aktivuje se alarm dvířek chladničky (pipání).</li> </ul>	<ul style="list-style-type: none"> <li>• Nenechávejte dvířka zbytečně otevřená. Po zavření dvířek pipání ustane.</li> </ul>
Ze spotřebiče se ozývají zvuky jako bubláni, bzučení, cvakání, skřípání.	<ul style="list-style-type: none"> <li>• Žádné poruchy. Běží motor, např. chladicí jednotky nebo ventilátorů. Trubkami proudí chladivo. Motor, spínače a elektromagnetické ventily se zapínají a vypínají.</li> </ul>	<ul style="list-style-type: none"> <li>• Není nutný žádný zásah.</li> </ul>
	<ul style="list-style-type: none"> <li>• Spotřebič nestojí na rovné zemi.</li> </ul>	<ul style="list-style-type: none"> <li>• Seřídte nohy, aby stál spotřebič rovně.</li> </ul>
	<ul style="list-style-type: none"> <li>• Spotřebič se dotýká nějakého předmětu v jeho okolí.</li> </ul>	<ul style="list-style-type: none"> <li>• Odstraňte předměty z okolí spotřebiče.</li> </ul>
Spotřebič se neochlazuje, svítí kontrolky teploty a osvětlení.	<ul style="list-style-type: none"> <li>• Je aktivován režim Demo.</li> </ul>	<ul style="list-style-type: none"> <li>• Deaktivujte režim DEMO.</li> </ul>
V prostoru mrazničky je silná vrstva ledu a námraza.	<ul style="list-style-type: none"> <li>• Potraviny nebyly náležitě zabaleny.</li> </ul>	<ul style="list-style-type: none"> <li>• Vždy je dobře zabalte.</li> </ul>
	<ul style="list-style-type: none"> <li>• Dvířka/zásuvka spotřebiče nejsou těsně zavřená.</li> </ul>	<ul style="list-style-type: none"> <li>• Zavřete dvířka/zásuvku.</li> </ul>
	<ul style="list-style-type: none"> <li>• Dvířka/zásuvka se otvírala příliš často, nebo byla příliš dlouho otevřená.</li> </ul>	<ul style="list-style-type: none"> <li>• Neotvírejte dvířka/zásuvku příliš často.</li> </ul>
	<ul style="list-style-type: none"> <li>• Těsnění dvířek/zásuvek je znečištěné, opotřebené, popraskané nebo nesprávně nainstalované.</li> </ul>	<ul style="list-style-type: none"> <li>• Vyčistěte těsnění dvířek/zásuvek, nebo ho vyměňte za nové.</li> </ul>
	<ul style="list-style-type: none"> <li>• Něco uvnitř brání správnému zavření dvířek/zásuvek.</li> </ul>	<ul style="list-style-type: none"> <li>• Přemístěte vnitřní police, police na dvířkách nebo vnitřní nádoby, aby se mohla dvířka/zásuvka zavřít.</li> </ul>
Boční strany spotřebiče jsou teplé.	<ul style="list-style-type: none"> <li>• Jedná se o normální jev.</li> </ul>	

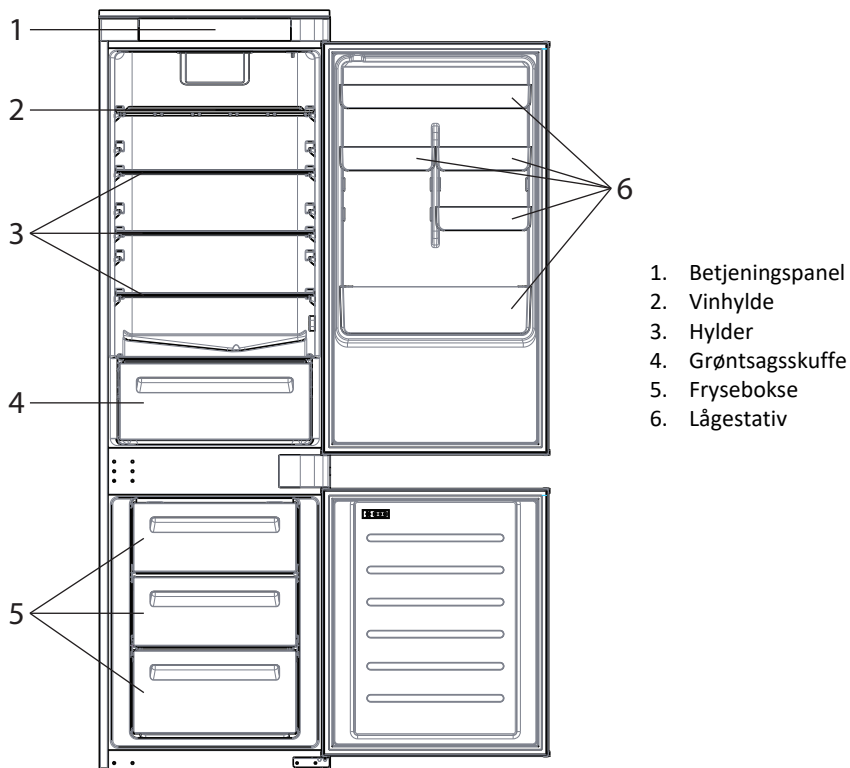


# Oversigt

---

PRODUKTBESKRIVELSE .....	2
BRUG.....	3
Brug .....	3
Styring af display-standby-tilstand.....	4
Tilstande .....	4
Temperaturindstilling i køleskabet.....	4
Indstilling af fryserens temperatur.....	4
Tilpasset temperatur.....	5
Super Cool-funktion .....	5
Super Freeze-funktion.....	6
Eco-tilstand .....	6
Feriefunktion.....	7
Afrimning.....	7
Demotilstand.....	7
Fejlkoder.....	7
Fremgangsmåde ved parring i app .....	8
Wi-Fi-brug .....	9
FEJLFINDING.....	10

## PRODUKTBESKRIVELSE



\* Den mest energibesparende konfiguration kræver, at skuffer, madboks og hylder er placeret i produktet, og at ventilatoren er slukket. Se ovenstående billeder.

\*\* Billederne ovenfor er kun til reference. Den faktiske konfiguration vil afhænge af det fysiske produkt eller erklæring fra distributøren.

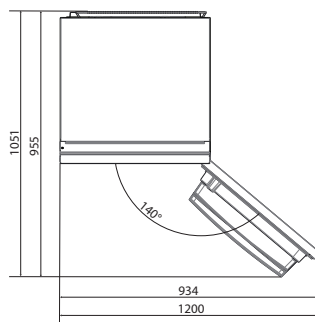
### Pladskrav

Enhedens låge skal kunne åbnes helt som vist. Spar plads nok til nem åbning af låger og skuffer.

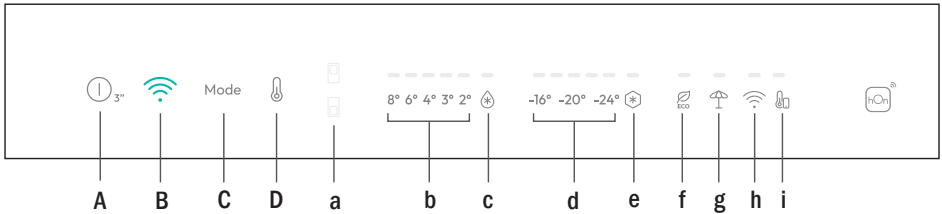
Hold en afstand på mindst 50 mm mellem produktets sidevægge og tilstødende dele.

540 mm Skab: Bredde: 934 mm  
Dybde: 955 mm

700 mm Skab: Bredde: 1200 mm  
Dybde: 1051 mm



## BRUG



- A. TÆND/SLUK-knap, tryk i 3 sekunder. Apparatet tænder med et lang akustisk feedback (1 sek.).
- B. Wi-Fi-nøgle, der bruges til at tilslutte apparatet
- C. Mode-tast, der bruges til at vælge mellem køleskab, fryser, øko og ferie
- D. TEMP-tast, der bruges til at vælge mellem temperaturniveauer (også Super Cool og Super Freeze)
- a. Ikonet for køle-/fryseområde viser, hvilket rum i apparatet der er valgt
- b. Køleskabstemperaturniveauer, viser hvilken temperatur, der er valgt
- c. Super Cool-ikon, viser, om Super Cool-funktionen er aktiveret
- d. Frysertemperaturniveauer viser hvilken temperatur, der er valgt for fryseren
- e. Super Freeze-ikon, viser, om Super Freeze-funktionen er aktiveret
- f. Eco-mode-ikon, viser, om øko-mode er aktiveret
- g. Feriefunktionsikon, viser om feriefunktionen er aktiveret
- h. Wi-Fi-ikon, viser, om Wi-Fi fungerer, og apparatet er tilsluttet
- i. Tilpasset temperaturikon, viser, om temperaturen er valgt af app'en

### Brug

- Apparatet tænder med et lang akustisk feedback (1 sek.). Alle LED'er tænder (1 sek.), derefter tændes LED for køleskabstemperatur og fryser LED fast.
- Temperaturen indstilles automatisk til 4 °C i køleskabet og -18 °C i fryseren.  
**BEMÆRK:** Vent mindst 2/3 timer, før du sætter mad i apparatet, for at sikre temperaturen inde i køleskabet.
- I tilfælde af strømtab genoprettes det sidste kølniveau.
- For at genoprette standardindstillingen skal du holde dørkontakten inde i køleskabet nede og samtidig trykke på TÆND/SLUK-knappen i 5 sekunder.
- Under normale driftsforhold (om foråret og efteråret) anbefales det at indstille temperaturen til 4 °C. Om sommeren eller når den omgivende temperatur er høj, anbefales det at indstille temperaturen til 6~8 °C for at garantere køleskabets og fryserens temperaturer og reducere køleskabets kontinuerlige driftstid. Og om vinteren eller når den omgivende temperatur er lav, anbefales det at indstille temperaturen til 3~4 °C for at undgå hyppig start/stop af køleskabet.

## Styring af display-standby-tilstand

- Hvis døren er lukket -> display i standby (alle LED'er slukket)
- Hvis døren er åben -> lysdioden for nuværende køleskabstemperatur og frysertemperatur-LED er tændt (fast).
- ECO-tilstand LED + Ferietilstand LED er tændt (fast), hvis tidligere valgt.
- Displayet er klar til at modtage input (det er ikke nødvendigt at aktivere det ved berøring).

## Tilstande

Tilstandsknappen bruges til at skifte mellem de forskellige tilstande.

Den relaterede LED tændes, og valget bekræftes straks (ingen blink).

Kort akustisk feedback bekræfter valget.

## Temperaturindstilling i køleskabet

Når displaypanelet er tændt, vælg "køleskabstemperaturindstilling" ved at trykke på MODE-knappen. LED'en for køleskabsområdet tændes. Tryk på knappen "TEMP", indtil den ønskede temperatur er indstillet. Temperaturværdien ændres på denne måde: 8°C -> 6°C -> 4°C -> 3°C -> 2°C -> superkøling -> 8°C...

Den relaterede LED tændes, og valget bekræftes straks (ingen blink).

Kort akustisk feedback bekræfter valget.

## Indstilling af fryserens temperatur

Når displaypanelet er tændt, vælg "frysetemperaturindstilling" ved at trykke på MODE-knappen. Fryseområdets LED tændes.

Tryk på knappen "TEMP", indtil den ønskede temperatur er indstillet.

Temperaturværdien ændres på denne måde: -16°C -> -18°C -> -20°C -> -22°C -> -24°C ->

Superfrysning->-16°C. ..

Den relaterede LED tændes, og valget bekræftes straks (ingen blink).

Kort akustisk feedback bekræfter valget.

## Bemærk

Skift fra køleskab til fryserum og omvendt sker med det samme, når brugeren trykker på MODE-knappen, og valget er straks aktivt

Temperatur-LED'er blinker ikke

## Temp efter App

Der kan vælges en temperatur fra 2 °C til 8 °C i køleskabet og fra -16 °C til -24 °C i fryseren. Når temperaturen vælges af appen, tændes det tilpassede temperaturikon, mens alle temperatur-LED-lysene i det berørte rum slukkes (dvs. hvis køleskabstemperaturen vælges fra appen, slukkes lysdioderne fra 2 °C til 8 °C. Hvis frysetemperaturen vælges i appen, slukkes lysdioderne fra -16 °C til -24 °C). Hvis kun et enkelt område (fryser eller køleskab) har den tilpassede temperatur, ændres temperaturvalget for det andet område ikke, og LED-lyset for den valgte temperatur for det pågældende område forbliver tændt. Langt akustisk feedback (1 sek.) bekræfter, at forbindelsen er fuldført.

## Super Cool-funktion

Det foreslås at slå Super Cool-funktionen til, hvis en stor mængde mad skal opbevares (f.eks. efter indkøbet). Super-Cool-funktionen fremskynder kølingen af friske fødevarer og beskytter de varer, der allerede er oplagret, mod uønsket opvarmning. Når funktionen er aktiveret, indstilles køleskabets temperatur automatisk til 2 °C.

Sådan bruges Super Cool-funktionen:

- Funktionen kan aktiveres ved at trykke længe på TEMP-tasten for at vælge køleskabsrummet og derefter hurtigt trykke på TEMP-tasten, indtil Super Cool-ikonets LED tændes, eller den kan tændes fra appen. Når funktionen er aktiveret, er Super Cool LED'en altid tændt.
- For at afslutte Super Cool-funktionen skal du trykke på TEMP-tasten eller slukke den fra appen.
- Super Cool-funktionen slutter automatisk, når funktionen har varet i mere end 12 timer.
- Når Super Cool slutter, slukkes ikonet på betjeningspanelet, og det tidligere indstillede køleniveau genoprettes.

**Bemærk:** Super Cool- og Super Freeze-funktionen kan ikke aktiveres samtidigt.

## Super Freeze-funktion

Super Freeze-funktionen fremskynder indfrysningen af friske fødevarer og beskytter de varer, der allerede opbevares, mod uønsket opvarmning. Hvis en stor mængde mad skal indfryses, anbefales det at indstille Super-Freeze-funktionen til 24 timer før brug.

Når funktionen er aktiveret, indstilles køleskabets temperatur automatisk til -22 °C.

Sådan bruges Super Freeze-funktionen:

- Funktionen kan startes ved at trykke længe PÅ TEMP-tasten for at vælge fryserummet, og derefter hurtigt trykke på TEMP-tasten, indtil Super Freeze ikonets LED er tændt, eller funktionen kan tændes fra appen. Når funktionen er aktiveret, er Super Freeze LED'en altid TÆNDT.
- For at afslutte Super Freeze-funktionen skal du trykke på TEMP-tasten eller slukke den fra appen.
- Super Freeze-funktionen slutter automatisk, når funktionen har været i mere end 50 timer.
- Når Super Freeze slutter, slukkes det tilsvarende ikon på betjeningspanelet, og det tidligere indstillede fryseniveau genoprettes.

**Bemærk:** Super Cool- og Super Freeze-funktionen kan ikke aktiveres samtidigt.

## Eco-tilstand

Eco-tilstanden kan aktiveres for at optimere apparatets ydeevne, mens du opnår den bedste fødevareropbevaring. Eco-mode indstiller automatisk temperaturen til 4 °C i køleskab og -18 °C i fryseren.

Sådan bruges Eco-tilstanden:

- Funktionen kan aktiveres fra betjeningspanelet ved at trykke på "mode"-tasten, indtil Eco-mode-ikonet tændes (et lydsignal bekræfter valget), eller ved at vælge funktionen fra appen. Når funktionen er aktiveret, er Eco-mode-ikonet altid TÆNDT.
- For at afslutte ECO skal du slukke for den fra appen eller vælge en anden funktion fra betjeningspanelet.
- Når Eco-tilstanden slutter, slukkes det tilsvarende ikon på betjeningspanelet, og det tidligere indstillede køleniveau genoprettes.

## Feriefunktion

Feriefunktionen kan bruges til at reducere apparatets energiforbrug, når det ikke bruges regelmæssigt. Når funktionen er tændt, er ferieikonet slukket (også selvom lågen er åbnet), og køleskabet vil køre på lavt energiforbrug, mens fryseren kører normalt.

Sådan bruges Ferie-funktionen:

- Funktionen kan aktiveres fra betjeningspanelet ved at trykke på "mode"-tasten, indtil ferieikonet tændes (et lydsignal bekræfter valget), eller ved at vælge funktionen fra appen. Når funktionen er aktiveret, er ferieikonet altid TÆNDT.
- For at afslutte feriefunktionen skal du slukke for den fra appen eller vælge en anden funktion fra betjeningspanelet.
- Når Holiday slutter, slukkes det tilsvarende ikon på betjeningspanelet, og det tidligere indstillede køleniveau genoprettes.

## Afrimning

Når frostlaget i fryserummet overstiger 3 mm, anbefales det at påbegynde en afrimning, da frostlaget øger energiforbruget.

- Sluk for apparatet, og frakobl strømledningen.
- Fjern den frosne mad og placer den midlertidigt et køligt sted.
- Lad frysedøren stå åben og opsaml vandet på bunden af produktet.
- Når afrimningen er færdig, skal du tørre det grundigt indvendigt .
- Tilslut strømledningen igen, og indstil de ønskede værdier.
- Vent et øjeblik og genindfør de frosne fødevarer.

## Demotilstand

For at gå ind i demo-mode, med displayet ulåst skal du holde Wi-Fi-tasten (B) nede og trykke på MODE-tasten (C) 5 gange inden for 5 sekunder. For at afslutte demo-mode skal du udføre den samme operation eller slukke for køleskabet.

## Fejlkode

- Kommunikationsfejl

8 °C - 6 °C - 4 °C - 3 °C - 2 °C LED-lys tændes sekventielt, det betyder, at der er opstået en kommunikationsfejl mellem hovedbetjeningskortet og displaykortet. Kontakt venligst teknisk assistance for at de kan hjælpe med at løse problemet

## WI-FI-BRUG

### Fremgangsmåde ved parring i app

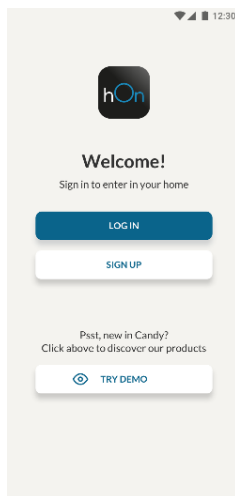
#### Trin 1

- Download hOn-appen i butikkerne



#### Trin 2

- Opret din konto i hOn-app'en eller log ind, hvis du allerede har en konto



#### Trin 3

- Følg parringsvejledningen i hOn-app'en



## Wi-Fi-brug

Når skærmpanelet er tændt, starter et kort tryk på Wi-Fi-knappen synkroniseringen, og Wi-Fi LED'en begynder at blinke. Følg instruktionerne på appen for at fuldføre forbindelsen.

Langt akustisk feedback (1 sek.) bekræfter, at forbindelsen er etableret, og at LED'en forbliver fast.

Hvis Wi-Fi ikke er konfigureret endnu, når køleskabet tændes, vil det automatisk gå i konfigurationsmode og beholde denne status i 30 minutter. Sådan bruges konfigurationsmode:

- Tryk på Wi-Fi-tasten i 2 sekunder, køleskabet går i Wi-Fi-konfigurationsmode, og der afgives et lydsignal. Wi-Fi-ikonet begynder at blinke.
- Følg app-instruktionerne for at konfigurere Wi-Fi (se ovenfor).
- Når Wi-Fi er konfigureret og forbindelsen etableret, er Wi-Fi-ikonet tændt og rettet.
- Efter 30 minutter uden at udføre nogen operation vil Wi-Fi automatisk forlade konfigurationsmode.
- Hvis Wi-Fi allerede er konfigureret, vil det automatisk oprette forbindelse igen i henhold til konfigurationsoplysningerne.

Hvis du vil nulstille Wi-Fi, skal du trykke på Wi-Fi—Mode tasten i 2 sekunder, Wi-Fi nulstilles, og der afgives et lydsignal. Derefter går Wi-Fi automatisk i konfigurationsmode (Wi-Fi-ikonet begynder at blinke igen).

For at slukke for Wi-Fi skal du trykke på Wi-Fi-tasten for 3'er.

## Radio-modul - Tekniske data

Frekvensrate (OFR)	2400 MHz-2843.5 MHz
Kanalfrekvenser	2412...2472 MHz(trinstørrelse 5 MHz)
Maksimal effekt(EIRP)	100 mW

Radioudstypen er i overensstemmelse med direktivet 2014/53/EU.

## FEJLFINDING

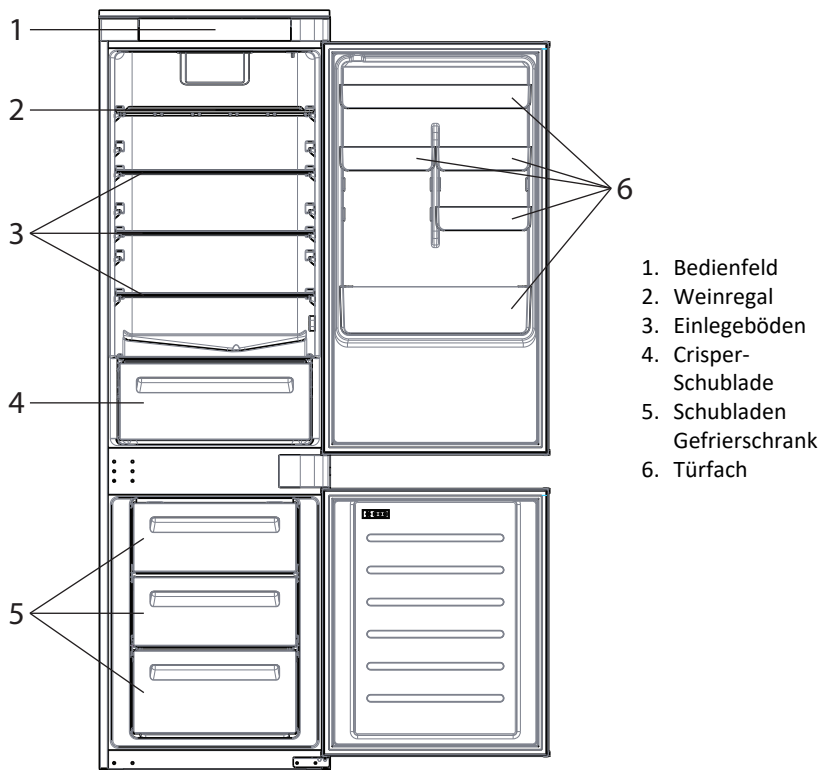
Den indvendige pære tænder ikke.	• Ingen elektricitet.	• Strømkablet er ikke sat korrekt i. • Kontroller, om apparatet er slukket (se Temperaturjustering). • Kontroller, at stikkontakten fungerer korrekt (f.eks. med et anden elektrisk apparat).
	• Holiday-tilstand er aktiveret.	• Deaktiver Holiday-tilstand.
Den indvendige temperatur i køleskabet og/eller fryseren er ikke kold nok.	• Lågerne er ikke lukkede.	• Tjek at lågen og pakningerne lukker ordentligt.
	• Lågerne åbnes ofte.	• Undgå at åbne lågerne unødigt i længere tid.
	• Forkert temperaturindstilling.	• Kontroller temperaturindstillingen, og indstil om muligt en lavere temperatur (se Temperaturjustering).
	• Køleskabet og/eller fryseren er for fyldt.	• Vent på, at temperaturen i køleskabet/fryseren har stabiliseret sig. • Undgå at fylde køleskab og fryser for meget.
	• Den omgivende temperatur er for lav.	• Flyt enheden til et varmere sted, eller opvarm det aktuelle rum.
	• Varme varer er blevet opbevaret.	• Lad altid genstande køle af, før de opbevares.
Maden i køleskabet fryser.	• Forkert temperaturindstilling.	• Kontroller temperaturindstillingen, og eg om muligt temperaturen.
	• Mad i kontakt med bagvæggen.	• Hold maden væk fra køleskabets bagvæg.
Bunden af køleskabet er våd, eller der er vanddråber.	• Afløbsslangen kan være tilstoppet.	• Rengør afløbsslangen med en pind eller lignende for at lade vandet løbe ud.
Tilstedeværelse af vanddråber eller frost på bagvæggen af køleskabet.	• Afhængigt af funktionen dannes der vanddråber eller frost på køleskabets bagvæg under drift.	• Det er ikke en defekt.
	• Varme varer er blevet opbevaret.	• Lad altid genstande køle af, før de opbevares.
	• Der er åbne madbeholdere eller væsker.	• Dæk altid mad og væsker til.
	• Lågerne er ikke lukkede.	• Tjek at lågen og pakningerne lukker ordentligt.
	• Lågerne åbnes ofte.	• Undgå at åbne lågerne unødigt i længere tid.
Tilstedeværelse af vand i grøntsagsskuffen.	• Manglende luftcirkulation.	• Kontroller, at dit apparat ikke er for fyldt.
	• Grøntsager og frugter med for meget fugt.	• Pak frugten og grøntsagerne ind i plastmaterialer, f.eks. husholdningsfilm, poser eller beholdere.
Motoren kører kontinuerligt.	• Lågerne er ikke lukkede.	• Sørg for, at lågerne er lukkede, og kontroller, at tætningerne lukker korrekt.
	• Lågerne åbnes ofte.	• Undgå at åbne lågerne unødigt i længere tid.
	• Den omgivende temperatur er meget høj.	• Kontroller, at den omgivende temperatur er inden for det område, der er angivet i specifikationerne på apparatets mærke. • Indstil displayskærmen/termostaten til en varmere temperatur.
	• Apparatet har været slukket (ingen strøm) i nogen tid.	• Det tager normalt 8-12 timer at køle helt af.
Den frosne mad er ved at tø op.	• Omgivende temperatur er for lav.	• Flyt enheden til et varmere sted, eller opvarm det aktuelle rum.
	• Lågen til fryseren er ikke lukket.	• Sørg for, at lågen er lukket, og at pakningen tætnet korrekt.
Alarm til køleskabslåge.	• Alarm til køleskabslåge (akustisk bip) aktiveres, når lågen står åben i mere end 3 minutter.	• Undgå at lade lågen stå åben, når det ikke er nødvendigt. Bippet ophører, når lågen lukkes.
Apparatet laver lyde som gurglen, summen, klik, knirken.	• Ingen nedbrud. En motor kører, f.eks. køleenhed, ventilator. Kølemidlet strømmer ind i rørene. Motor, kontakter og magnetventiler tændes eller slukkes.	• Ingen handling nødvendig.
	• Apparatet er ikke placeret på et plant underlag.	• Juster fødderne for at nivellere apparatet.
	• Apparatet rører ved en genstand i nærheden.	• Fjern genstande omkring apparatet.
Apparatet kører ikke, temperatur- og lysindikatorerne er tændt.	• Demotilstand er aktiveret.	• Deaktiver DEMO-tilstand.
Kraftig is- og rimdannelse i fryserummet.	• Madvarerne er ikke tilstrækkeligt indpakket.	• Pak altid varerne godt ind.
	• En låge/skuffe i køleskabet/fryseren er ikke lukket tæt.	• Luk lågen/skuffen.
	• Lågen/skuffen har været åbnet for ofte eller for længe.	• Åbn ikke lågen/skuffen for ofte.
	• Lågen-/skuffepakningen er snavset, slidt, revnet eller forkert.	• Rengør lågen/skuffepakningen eller udskift den med en ny.
	• Noget på indersiden forhindrer lågen/skuffen i at lukke korrekt.	• Flyt hylderne, lågestativerne eller de indvendige beholdere, så lågen/skuffen kan lukke.
Apparatets sider er varme.	• Dette er normalt.	

# Zusammenfassung

---

PRODUKTBESCHREIBUNG .....	2
NUTZUNG .....	3
Nutzung.....	3
Verwaltung des Stand-by-Modus anzeigen.....	4
Modi .....	4
Einstellung der Kühlschranktemperatur.....	4
Temperatureinstellung des Gefrierschranks .....	4
Benutzerdefinierte Temperatur .....	5
Funktion „Super Cool“ .....	5
Super Freeze-Funktion .....	6
Eco-Modus .....	6
Urlaubsfunktion .....	7
Abtauen.....	7
Demomodus.....	7
Fehlercodes.....	7
Kopplungsvorgang in der App.....	8
Verwendung der WiFi-Funktion.....	9
FEHLERBEHEBUNG .....	10

## PRODUKTBESCHREIBUNG



\* Die energiesparendste Konfiguration erfordert den Einsatz von Schubladen, Lebensmittelboxen und Regalböden im Produkt und dass der Lüfter ausgeschaltet ist, siehe die obigen Bilder.

\*\* Die Bilder oben dienen nur als Referenz. Die tatsächliche Konfiguration hängt vom jeweiligen Produkt oder von den Angaben des Händlers ab.

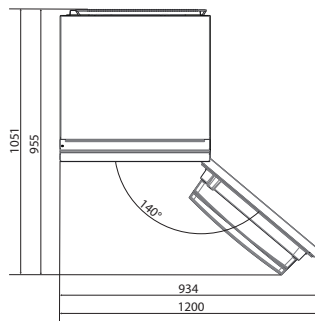
### Platzbedarf

Die Tür des Gerätes muss, wie abgebildet, vollständig geöffnet werden können. Es muss genügend Platz zum bequemen Öffnen der Türen und Schubladen vorhanden sein.

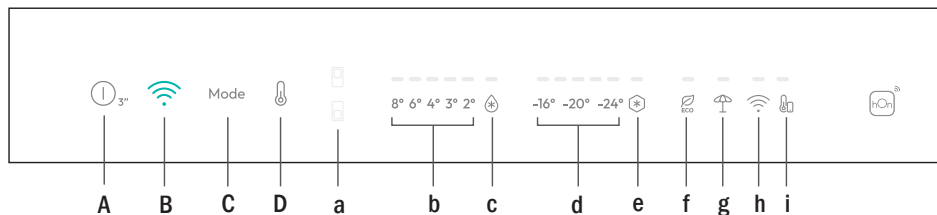
Zwischen den Seitenwänden des Produkts und angrenzenden Teilen einen Abstand von mindestens 50 mm einhalten.

540 mm Schrank: Breite: 934 mm  
Tiefe: 955 mm

700 mm Schrank: Breite: 1200 mm  
Tiefe: 1051 mm



## NUTZUNG



- A. Die ON/OFF-Taste, 3 Sekunden drücken. Das Gerät schaltet sich mit einem langen akustischen Signal (1 Sekunde) ein.
- B. Die WiFi-Taste, verwendet, um das Gerät anzuschließen
- C. Die Mode-Taste, zur Auswahl zwischen Kühlschrank, Gefrierschrank, Eco und Holiday
- D. Die TEMP-Taste, dient zur Auswahl zwischen Temperaturstufen (auch Super Cool und Super Freeze)
  - a. Das Kühl-/Gefrierbereichssymbol zeigt an, welches Fach des Geräts ausgewählt ist.
  - b. Die Temperaturstufen des Kühlschranks zeigen die ausgewählte Temperatur an.
  - c. Das Super Cool Symbol zeigt an, ob die Super Cool Funktion aktiviert ist.
  - d. Die Temperaturstufen des Gefrierschranks zeigen an, welche Temperatur ausgewählt ist.
  - e. Das Super Freeze Symbol zeigt an, ob die Funktion aktiviert ist.
  - f. Das Eco-Modus-Symbol zeigt an, ob der Eco-Modus aktiviert ist.
  - g. Das Urlaubsfunktionssymbol zeigt an, ob die Urlaubsfunktion aktiviert ist.
  - h. Das WiFi-Symbol zeigt an, ob das Wi-Fi funktioniert und das Gerät verbunden ist.
  - i. Das Symbol für benutzerdefinierte Temperatur zeigt an, ob die Temperatur über die App ausgewählt wurde.

### Nutzung

- Schließen Sie das Gerät an und es schaltet sich automatisch mit einem langen akustischen Feedback ein (1 Sek.). Alle LEDs leuchten auf (1 Sek.), dann leuchten die Temperatur-LED des Kühlschranks und die Gefrierteil-LED dauerhaft.
- Die Temperatur wird automatisch auf 4 °C im Kühlschrank und -18 °C im Gefrierschrank eingestellt.

**HINWEIS:** Warten Sie mindestens 2/3 Stunden, bevor Sie Lebensmittel in das Gerät legen, damit die Kühltemperatur im Inneren des Kühlschranks erreicht ist.
- Bei einem Stromausfall wird die zuletzt eingestellte Kühlstufe wiederhergestellt.
- Um die Standardeinstellung wiederherzustellen, halten Sie den Türschalter im Inneren des Kühlschranks gedrückt und drücken Sie gleichzeitig fünf Sekunden lang die ON/OFF-Taste.
- Unter normalen Betriebsbedingungen (im Frühjahr und Herbst) wird empfohlen, die Temperatur auf 4 °C einzustellen. Im Sommer oder bei hohen Umgebungstemperaturen wird empfohlen, die Temperatur auf 6~8 °C einzustellen, um die Kühl- und Gefrierraumtemperaturen zu gewährleisten und die Dauerbetriebszeit des Kühlschranks zu reduzieren. Im Winter oder bei niedrigen Umgebungstemperaturen wird empfohlen, die Temperatur auf 3~4 °C einzustellen, um zu vermeiden, dass der Kühlschrank häufig anläuft und wieder anhält.

## **Verwaltung des Stand-by-Modus anzeigen**

- Wenn die Tür geschlossen ist -> Display im Standby (alle LEDs ausgeschaltet)
- Bei geöffneter Tür -> aktuelle Kühlschranktemperatur-LED und Gefrierschranktemperatur-LED leuchten (dauerhaft).
- Die ECO-Modus-LED und die Holiday-Modus-LED sind eingeschaltet (dauerhaft), wenn sie zuvor ausgewählt wurden.
- Das Display ist bereit, Eingaben zu empfangen (es muss nicht durch Berührung aktiviert werden).

## **Modi**

Mit der Modus-Taste können Sie zwischen den verschiedenen Modi wechseln.

Die entsprechende LED leuchtet auf und die Auswahl wird sofort bestätigt (kein Blinken).

Ein kurzes akustisches Signal bestätigt die Auswahl.

## **Einstellung der Kühlschranktemperatur**

Wenn das Display eingeschaltet ist, wählen Sie die „Kühlschranktemperatureinstellung“ durch Drücken

der MODE-Taste aus. Die LED für den Kühlschrank leuchtet auf.

Drücken Sie die Taste „TEMP“, bis die gewünschte Temperatur eingestellt ist.

Der Temperaturwert ändert sich auf diese Weise: 8°C -> 6°C -> 4°C -> 3°C -> 2°C -> Superkühlung -> 8°C...

Die entsprechende LED leuchtet auf und die Auswahl wird sofort bestätigt (kein Blinken).

Ein kurzes akustisches Signal bestätigt die Auswahl.

## **Temperatureinstellung des Gefrierschranks**

Wenn das Display eingeschaltet ist, wählen Sie die „Gefrierschranktemperatureinstellung“ durch Drücken

der MODE-Taste aus. Die LED des Gefrierschranks leuchtet auf.

Drücken Sie die Taste „TEMP“, bis die gewünschte Temperatur eingestellt ist.

Der Temperaturwert ändert sich auf diese Weise: -16°C -> -18°C -> -20°C -> -22°C -> -24°C -> Supergefrieren -> -16°C...

Die entsprechende LED leuchtet auf und die Auswahl wird sofort bestätigt (kein Blinken).

Ein kurzes akustisches Signal bestätigt die Auswahl.

## **Zu beachten:**

Der Wechsel vom Kühl- zum Gefrierbereich und umgekehrt erfolgt sofort, wenn der Benutzer die MODE-Taste drückt, und die Auswahl ist sofort aktiv.

Temperatur-LEDs blinken nicht

## **Benutzerdefinierte Temperatur**

Für den Kühlschrank kann eine Temperatur von 2°C bis 8°C und für den Gefrierschrank von -16°C bis -24°C ausgewählt werden. Wenn die Temperatur über die App ausgewählt wird, leuchtet das benutzerdefinierte Temperatursymbol auf, während alle Temperatur-LED-Leuchten des betroffenen Fachs ausgehen (d. h. wenn die Kühlschranktemperatur über die App ausgewählt wird, gehen die LEDs von 2°C bis 8°C aus.

Wenn die Gefrierschranktemperatur über die App ausgewählt wird, sind die LEDs von -16°C bis -24°C ausgeschaltet).

Wenn nur ein einzelner Bereich (Gefrierschrank oder Kühlschrank) die benutzerdefinierte Temperatur hat, wird die Temperatúrauswahl des anderen Bereichs nicht geändert und die LED-Leuchte der ausgewählten Temperatur dieses Bereichs bleibt an.

Ein langes akustisches Signal (1 Sekunde) bestätigt, dass die Verbindung hergestellt ist.

## **Funktion „Super Cool“**

Es wird empfohlen, die Super Cool-Funktion einzuschalten, wenn eine große Menge an Lebensmitteln gelagert werden soll (z. B. nach dem Einkauf). Die Super-Cool-Funktion beschleunigt die Abkühlung frischer Lebensmittel und schützt die bereits gelagerte Ware vor unerwünschter Erwärmung. Wenn die Funktion aktiviert ist, wird die Temperatur des Kühlschranks automatisch auf 2 °C eingestellt.

So verwenden Sie die Super Cool-Funktion:

- Die Funktion kann durch langes Drücken der TEMP-Taste aktiviert werden, um das Kühlfach auszuwählen, und dann durch kurzes Drücken der TEMP-Taste, bis das Super Cool-Symbol leuchtet. Sie kann auch über die App aktiviert werden. Wenn die Funktion aktiviert ist, leuchtet die Super Cool-LED immer.
- Um die Super Cool-Funktion zu beenden, drücken Sie die TEMP-Taste oder schalten Sie sie in der App aus.
- Die Super Cool-Funktion endet automatisch nach 12 Stunden.
- Wenn die Super Cool-Funktion endet, erlischt das Symbol auf dem Bedienfeld und die zuvor eingestellte Kühlstufe wird wiederhergestellt.

**Hinweis:** Die Funktionen Super Cool und Super Freeze können nicht gleichzeitig aktiviert werden.

## Super Freeze-Funktion

Die Super Freeze-Funktion beschleunigt das Einfrieren frischer Lebensmittel und schützt die bereits gelagerte Ware vor unerwünschter Erwärmung. Wenn eine große Menge an Lebensmitteln eingefroren werden soll, empfiehlt es sich, die Super Freeze-Funktion 24 Stunden vor der Verwendung einzuschalten. Wenn die Funktion aktiviert ist, wird die Temperatur automatisch auf -22 °C eingestellt.

So verwenden Sie die Super Freeze-Funktion:

- Die Funktion kann durch langes Drücken der TEMP-Taste aktiviert werden, um das Gefrierfach auszuwählen, und dann durch kurzes Drücken der TEMP-Taste, bis das Super Freeze-Symbol leuchtet. Sie kann auch über die App aktiviert werden. Wenn die Funktion aktiviert ist, leuchtet die Super-Freeze-LED immer.
- Um die Super Freeze-Funktion zu beenden, drücken Sie die TEMP-Taste oder schalten Sie sie in der App aus.
- Die Super Freeze-Funktion endet automatisch, wenn die Funktion länger als 50 Stunden gedauert hat.
- Wenn die Super Freeze-Funktion endet, erlischt das Symbol auf dem Bedienfeld und die zuvor eingestellte Gefrierstufe wird wiederhergestellt.

**Hinweis:** Die Funktionen Super Cool und Super Freeze können nicht gleichzeitig aktiviert werden.

## Eco-Modus

Der Eco-Modus kann aktiviert werden, um die Leistung des Geräts zu optimieren und gleichzeitig die beste Lagerung von Lebensmitteln zu erreichen. Im Eco-Modus wird die Temperatur automatisch auf 4 °C im Kühlschrank und -18 °C im Gefrierschrank eingestellt. So verwenden Sie den Eco-Modus:

- Die Funktion kann über das Bedienfeld aktiviert werden, indem Sie die Taste „mode“ drücken, bis das Symbol für den Eco-Modus aufleuchtet (ein akustisches Signal bestätigt die Auswahl). Alternativ können Sie die Funktion über die App auswählen. Wenn die Funktion aktiviert ist, ist das Symbol für den Eco-Modus immer AN.
- Um den Eco-Modus zu beenden, schalten Sie ihn über die App aus oder wählen Sie eine andere Funktion über das Bedienfeld.
- Wenn der Eco-Modus endet, erlischt das Symbol auf dem Bedienfeld und die zuvor eingestellten Kühlstufen werden wiederhergestellt.



## Urlaubsfunktion

Die Urlaubsfunktion kann verwendet werden, um den Energieverbrauch des Geräts zu reduzieren, wenn es nicht regelmäßig benutzt wird. Wenn die Funktion eingeschaltet ist, sind die LED-Leuchten aus (auch wenn die Tür geöffnet ist) und der Kühlschrank ist aus, während der Gefrierschrank normal weiterarbeitet.

So verwenden Sie die Urlaubsfunktion:

- Die Funktion kann über das Bedienfeld aktiviert werden, indem Sie die Taste „mode“ drücken, bis das Symbol für den Urlaubsmodus aufleuchtet (ein akustisches Signal bestätigt die Auswahl). Alternativ können Sie die Funktion über die App auswählen. Wenn die Funktion aktiviert ist, ist das Urlaubssymbol immer AN.
- Um den Urlaubsmodus zu beenden, schalten Sie ihn über die App aus oder wählen Sie eine andere Funktion über das Bedienfeld.
- Wenn der Urlaubsmodus endet, erlischt das Symbol auf dem Bedienfeld und die zuvor eingestellten Kühlstufen werden wiederhergestellt.

## Abtauen

Wenn die Eisschicht an den Innenwänden des Gefrierfachs dicker als 3 mm ist, sollte das Gefrierfach abgetaut werden, da andernfalls der Energieverbrauch steigt.

- Schalten Sie das Gerät aus und ziehen Sie den Netzstecker.
- Eingefrorene Lebensmittel herausnehmen und vorübergehend an einem kühlen Ort lagern.
- Lassen Sie die Gefrierschranktür offen und nehmen Sie das Tauwasser am Geräteboden mit einem Schwammtuch auf.
- Wenn das Abtauen abgeschlossen ist, trocknen Sie den Innenraum gründlich ab.
- Das Netzkabel wieder anschließen und die gewünschten Werte einstellen.
- Einige Minuten warten und die gefrorenen Lebensmittel wieder hineinlegen.

## Demomodus

Um in den Demomodus zu gelangen, halten Sie bei entsperrtem Display die WiFi-Taste (B) gedrückt und drücken Sie die MODE-Taste (C) innerhalb von fünf Sekunden fünfmal. Um den Demomodus zu beenden, führen Sie den gleichen Vorgang durch oder schalten Sie den Kühlschrank aus.

## Fehlercodes

- Kommunikationsfehler

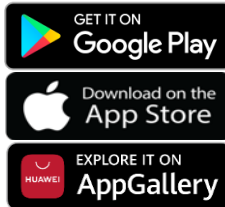
Wenn die LEDs 8 °C – 6 °C – 4 °C – 3 °C – 2 °C nacheinander aufleuchten, bedeutet dies, dass zwischen der Hauptsteuerplatine und der Anzeigeplatine ein Kommunikationsfehler aufgetreten ist. Bitte wenden Sie sich an den technischen Kundendienst, um das Problem zu beheben.

## VERWENDUNG DER WIFI-FUNKTION

### Kopplungsvorgang in der App

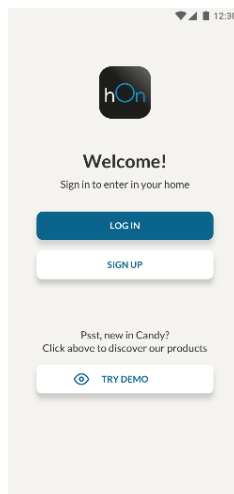
#### Schritt 1

- Laden Sie die hOn-App aus den Stores herunter.



#### Schritt 2

- Erstellen Sie Ihr Konto in der hOn-App oder melden Sie sich an, wenn Sie bereits ein Konto haben.



#### Schritt 3

- Folgen Sie den Kopplungsanweisungen in der hOn-App.

## Verwendung der WiFi-Funktion

Wenn das Anzeigefeld eingeschaltet ist, startet ein kurzer Druck auf die WiFi-Taste die Synchronisierung und die WiFi-LED beginnt zu blinken. Befolgen Sie die Anweisungen in der App, um die Verbindung herzustellen.

Ein langes akustische Signal (1 Sekunde) bestätigt, dass die Verbindung hergestellt ist, und die LED leuchtet dauerhaft.

Wenn das WiFi noch nicht konfiguriert wurde, geht der Kühlschrank beim Einschalten automatisch in den Konfigurationsmodus über und behält diesen Status 30 Minuten lang bei. So verwenden Sie den Konfigurationsmodus:

- Drücken Sie die WiFi-Taste zwei Sekunden lang, der Kühlschrank geht in den WiFi-Konfigurationsmodus über und ein akustisches Signal ertönt. Das WiFi-Symbol beginnt zu blinken.
- Folgen Sie den Anweisungen in der App, um das WiFi zu konfigurieren (siehe oben).
- Sobald das WiFi konfiguriert und die Verbindung hergestellt ist, leuchtet das WiFi-Symbol permanent.
- Nach 30 Minuten ohne Bedienung verlässt das WiFi automatisch den Konfigurationsmodus.
- Wenn das WiFi bereits konfiguriert wurde, wird die Verbindung automatisch entsprechend der Konfigurationsinformationen wiederhergestellt.

Um das WiFi zurückzusetzen, drücken Sie die WiFi – Mode -Taste zwei Sekunden lang, das WiFi wird zurückgesetzt und ein akustisches Signal ertönt. Danach geht das WiFi automatisch in den Konfigurationszustand über (das WiFi-Symbol beginnt wieder zu blinken).

Um das Wi-Fi auszuschalten, drücken Sie die Wi-Fi-Taste 3 Sekunden lang.

## Funkmodul - Technische Daten

Frequenzrate (OFR)	2400 MHz-2843.5 MHz
Kanalfrequenzen	2412...2472 MHz(Schrittlänge5 MHz)
Maximale Leistung(EIRP)	100 mW

Der Funkgerätetyp entspricht der Richtlinie 2014/53/EU.

# FEHLERBEHEBUNG

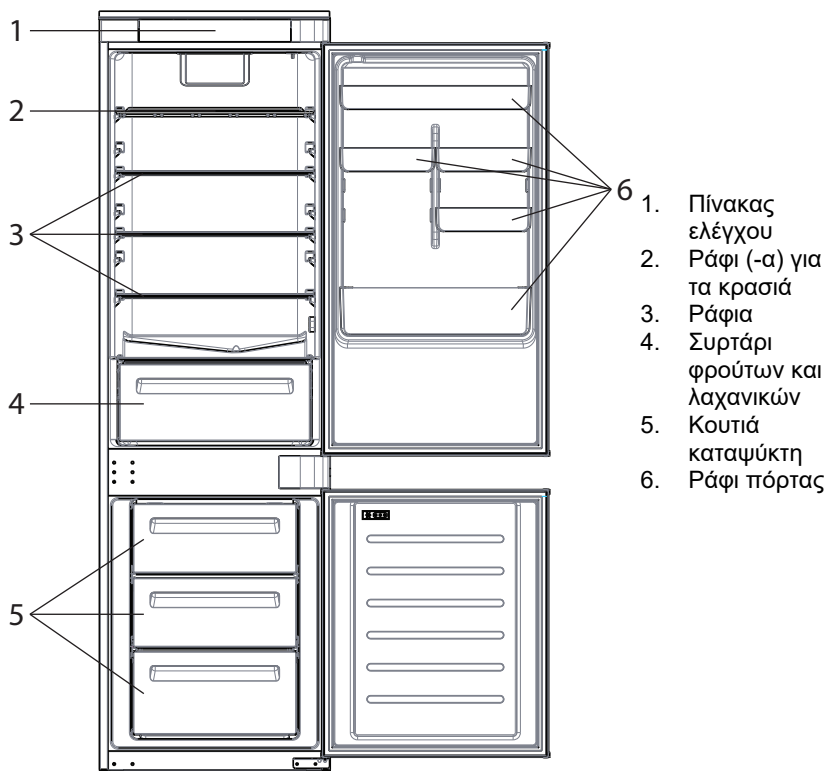
Die Glühbirne im Inneren schaltet sich nicht ein.	• Kein Strom.	• Das Netzkabel ist nicht korrekt eingesteckt. • Überprüfen Sie, ob das Gerät ausgeschaltet ist (siehe Abschnitt Temperatureinstellung). • Überprüfen Sie, ob die Steckdose ordnungsgemäß funktioniert (z. B. mit einem anderen elektrischen Gerät).
	• Der Holiday-Modus ist aktiviert.	• Deaktivieren Sie den Holiday-Modus.
Die Innentemperatur des Kühl- und/oder Gefrierschranks ist nicht kalt genug.	• Die Türen sind nicht geschlossen.	• Sicherstellen, dass die Tür und ihre Dichtungen schließen.
	• Die Türen werden zu oft geöffnet.	• Vermeiden Sie es, die Türen eine Zeit lang unnötig zu öffnen.
	• Falsche Temperatureinstellung.	• Überprüfen Sie die Temperatureinstellung und stellen Sie sie nach Möglichkeit eine niedrigere Temperatur ein (siehe Abschnitt Temperatureinstellung).
	• Der Kühlschrank und/oder der Gefrierschrank sind zu voll.	• Warten Sie, bis sich die Temperatur im Kühl-/Gefrierschrank stabilisiert hat. • Vermeiden Sie es, den Kühlschrank und den Gefrierschrank übermäßig zu füllen.
	• Die Umgebungstemperatur ist zu niedrig.	• Stellen Sie das Gerät an einen wärmeren Ort oder heizen Sie den aktuellen Raum.
	• Warme Waren wurden gelagert.	• Lassen Sie die Waren immer erst abkühlen, bevor Sie sie aufbewahren.
Die Lebensmittel im Kühlschrank gefrieren.	• Falsche Temperatureinstellung.	• Überprüfen Sie die Temperatureinstellung und erhöhen Sie die Temperatur, wenn möglich.
	• Die Lebensmittel kommen in Kontakt mit der Rückwand.	• Halten Sie die Lebensmittel von der Rückwand des Kühlschranks fern.
Der Boden des Kühlschrankfachs ist nass oder es sind Wassertropfen vorhanden.	• Der Ablaufschlauch könnte verstopft sein.	• Reinigen Sie den Ablaufschlauch mit einem Stab oder einem ähnlichen Gegenstand, damit das Wasser abfließen kann.
Vorhandensein von Wassertropfen oder Frost an der Rückwand des Kühlschranks.	• Je nach Funktion bilden sich während des Betriebs Wassertropfen oder Frost an der Rückwand des Kühlschranks.	• Es handelt sich hierbei nicht um einen Mangel.
	• Warme Waren wurden gelagert.	• Lassen Sie die Waren immer erst abkühlen, bevor Sie sie aufbewahren.
	• Es gibt offene Lebensmittelbehälter oder Flüssigkeiten.	• Decken Sie Lebensmittel und Flüssigkeiten immer ab.
	• Die Türen sind nicht geschlossen.	• Sicherstellen, dass die Tür und ihre Dichtungen schließen.
	• Die Türen werden zu oft geöffnet.	• Vermeiden Sie es, die Türen eine Zeit lang unnötig zu öffnen.
	• Unzureichende Luftzirkulation.	• Vergewissern Sie sich, dass Ihr Gerät nicht zu voll ist.
Wasser im Gemüsefach.	• Gemüse und Obst mit zu viel Feuchtigkeit.	• Verpacken Sie das Obst und Gemüse in Kunststoffmaterialien, z. B. in Frischhaltefolie, Beutel oder Behälter.
	• Die Türen sind nicht geschlossen.	• Sicherstellen, dass die Türen geschlossen sind und überprüfen Sie, ob die Dichtungen korrekt abdichten.
Der Motor läuft ununterbrochen.	• Die Türen werden zu oft geöffnet.	• Vermeiden Sie es, die Türen eine Zeit lang unnötig zu öffnen.
	• Die Umgebungstemperatur ist sehr hoch.	• Vergewissern Sie sich, dass die Umgebungstemperatur in dem Bereich liegt, der in den Spezifikationen auf dem Typenschild des Geräts angegeben ist. • Stellen Sie die Temperatur auf dem Bildschirm/das Thermostat auf eine wärmere Temperatur ein.
	• Das Gerät ist seit einiger Zeit ausgeschaltet (ohne Strom).	• Normalerweise dauert es 8-12 Stunden, bis das Gerät vollständig abgekühlt ist.
	• Die Umgebungstemperatur ist zu niedrig.	• Stellen Sie das Gerät an einen wärmeren Ort oder heizen Sie den aktuellen Raum.
Tiefgefrorene Lebensmittel tauen auf.	• Die Gefrierschranktür ist nicht geschlossen.	• Sicherstellen, dass die Tür geschlossen ist und die Dichtung korrekt abdichtet.
	• Der Alarm an der Kühlschranktür (Signalton) wird aktiviert, wenn die Tür länger als 3 Minuten offen steht.	• Lassen Sie die Tür nicht offen stehen, wenn Sie es nicht brauchen. Der Signalton verstummt, wenn die Tür geschlossen wird.
Das Gerät macht Geräusche wie Glucksen, Brummen, Klicken, Knarren.	• Dies sind keine Ausfälle. Ein Motor läuft, z. B. ein Kühlaggregat, ein Lüfter. Das Kältemittel fließt in die Leitungen. Motor, Schalter und Magnetventile werden ein- oder ausgeschaltet.	• Keine Maßnahmen erforderlich.
	• Das Gerät befindet sich nicht auf einem ebenen Untergrund.	• Die Füße entsprechend einstellen, um das Gerät zu nivellieren.
	• Das Gerät berührt einen Gegenstand um es herum.	• Entfernen Sie die Gegenstände um das Gerät herum.
Das Gerät kühlt nicht, die Temperatur- und die Beleuchtungsanzeige sind eingeschaltet.	• Der Demo-Modus ist aktiviert.	• Deaktivieren Sie den DEMO-Modus.
Starke Eissbildung und Frost im Gefrierfach.	• Die Waren waren nicht angemessen verpackt.	• Verpacken Sie die Waren immer gut.
	• Eine Tür/Schublade wurde nicht richtig geschlossen.	• Die Tür/Schublade schließen.
	• Die Tür/Schublade wurde zu häufig oder zu lange geöffnet.	• Die Tür/Schublade nicht zu häufig öffnen.
	• Die Tür-/Schubladendichtungen sind verschmutzt, verschlissen, gerissen oder verrutscht.	• Reinigen Sie die Dichtung der Tür/Schublade oder ersetzen Sie sie durch eine neue.
	• Etwas im Inneren verhindert, dass die Tür/Schublade richtig schließt.	• Versetzen Sie die Einlegeböden, Türfächer oder Behälter so, dass die Tür/Schublade richtig schließt.
Die Seiten des Geräts sind warm.	• Das ist normal.	

# Περίληψη

---

ΠΕΡΙΓΡΑΦΗ ΠΡΟΪΟΝΤΟΣ .....	2
ΧΡΗΣΗ .....	3
Χρήση .....	3
Εμφάνιση διαχείρισης κατάστασης αναμονής.....	4
Λειτουργίες .....	4
Ρύθμιση θερμοκρασίας ψυγείου .....	4
Ρύθμιση θερμοκρασίας καταψύκτη .....	4
Προσαρμοσμένη θερμοκρασία .....	5
Λειτουργία Super-Cool .....	5
Λειτουργία Super Freeze .....	6
Eco (οικολογική) λειτουργία .....	6
Λειτουργία στις ημέρες διακοπών .....	7
Απόψυξη .....	7
Λειτουργία επίδειξης .....	7
Κωδικοί σφάλματος .....	7
Κατά τη διαδικασία σύνδεσης εφαρμογής .....	8
Χρήση WI-FI .....	9
ΑΝΤΙΜΕΤΩΠΙΣΗ ΠΡΟΒΛΗΜΑΤΩΝ.....	10

## ΠΕΡΙΓΡΑΦΗ ΠΡΟΪΟΝΤΟΣ



\* Η διαμόρφωση εξοικονόμησης ενέργειας απαιτεί τα συρτάρια, τα δοχεία φαγητών και τα ράφια να έχουν τοποθετηθεί στο προϊόν και ο ανεμιστήρας να είναι απενεργοποιημένος, ανατρέξτε στις παραπάνω εικόνες.

\*\* Οι παραπάνω εικόνες είναι μόνο για αναφορά. Η πραγματική ρύθμιση παραμέτρων θα εξαρτηθεί από το φυσικό προϊόν ή από τη δήλωση του διανομέα.

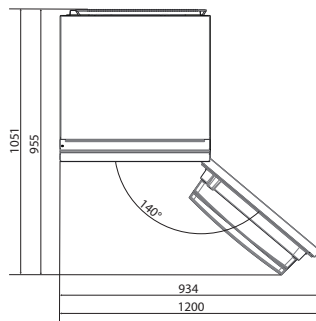
### Απαιτήσεις χώρου

Η πόρτα της μονάδας πρέπει να μπορεί να ανοίγει πλήρως όπως φαίνεται. Να υπάρχει αρκετός ελεύθερος χώρος για άνετο άνοιγμα των θυρών και των συρταριών.

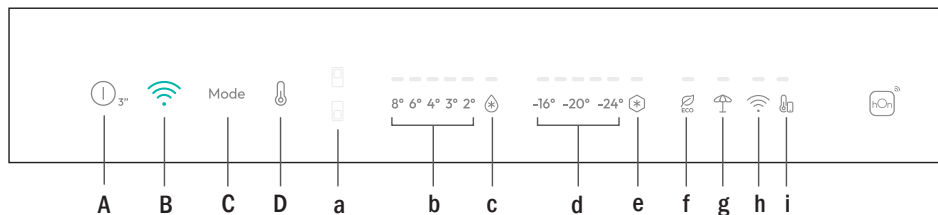
Διατηρήστε απόσταση τουλάχιστον 50 mm μεταξύ των πλευρικών τοιχωμάτων του προϊόντος και των παρακείμενων εξαρτημάτων.

Ντουλάπι 540 mm: Πλάτος: 934 mm  
Βάθος: 955 mm

Ντουλάπι 700 mm: Πλάτος: 1200 mm  
Βάθος: 1051 mm



## ΧΡΗΣΗ



- A. Πλήκτρο ΕΝΕΡΓΟΠΟΙΗΣΗ/ΑΠΕΝΕΡΓΟΠΟΙΗΣΗ, πιάστε για 3 δευτερόλεπτα. Η συσκευή ενεργοποιείται με μεγάλη ακουστική ανάδραση (1 δευτερόλεπτο).
- B. Πλήκτρο Wi-Fi, χρησιμοποιείται για τη σύνδεση της συσκευής
- C. Κλειδί Mode, χρησιμοποιείται για την επιλογή μεταξύ Ψυγείου, Καταψύκτη, Eco και Holiday
- D. Κλειδί ΘΕΡΜΟΚΡΑΣΙΑ, χρησιμοποιείται για την επιλογή μεταξύ επιπέδων θερμοκρασίας (επίσης Super Cool και Super Freeze)
  - a. Το εικονίδιο χώρου ψυγείου / καταψύκτη, δείχνει ποιο διαμέρισμα της συσκευής έχει επιλεγεί
  - b. Τα επίπεδα θερμοκρασίας του ψυγείου, δείχνουν ποια είναι η επιλεγμένη θερμοκρασία
  - c. Εικονίδιο Super Cool, που δείχνει αν η λειτουργία Super Cool είναι ενεργοποιημένη.
  - d. Τα επίπεδα θερμοκρασίας του ψυγείου, δείχνουν ποια είναι η επιλεγμένη θερμοκρασία μέσα στο ψυγείο
  - e. Εικονίδιο Super Freeze, που δείχνει αν η λειτουργία Super Freeze είναι ενεργοποιημένη
  - f. Το εικονίδιο eco mode, δείχνει αν η οικολογική λειτουργία είναι ενεργοποιημένη
  - g. Εικονίδιο λειτουργίας διακοπών, δείξτε αν η λειτουργία διακοπών είναι ενεργοποιημένη
  - h. Εικονίδιο Wi-Fi, δείχνει αν το Wi-Fi λειτουργεί και η συσκευή είναι συνδεδεμένη
  - i. Προσαρμοσμένο εικονίδιο θερμοκρασίας, εμφάνιση εάν η θερμοκρασία έχει επιλεγεί από την εφαρμογή

### Χρήση

- Συνδέστε τη συσκευή στην πρίζα και ανάβει αυτόματα με μεγάλη ακουστική ανάδραση (1 δευτερόλεπτο) Όλες οι λυχνίες LED ανάβουν (1 δευτερόλεπτο), στη συνέχεια η λυχνία LED θερμοκρασίας ψυγείου και η λυχνία LED καταψύκτη σταθεροποιούνται.
- Η θερμοκρασία θα ορισθεί αυτόματα στους 4° C στο ψυγείο και στους -18° C στην κατάψυξη.  
**ΣΗΜΕΙΩΣΗ:** περιμένετε τουλάχιστον 2/3 ώρες πριν τοποθετήσετε φαγητό στη συσκευή, ώστε να εξασφαλίσετε τη θερμοκρασία μέσα στο ψυγείο. τελευταίου (Ψυγείο ή καταψύκτης).
- Σε περίπτωση απώλειας ισχύος, θα επανέλθει στο τελευταίο ρυθμισμένο επίπεδο στάθμης ψύξης.
- Για να επαναφέρετε την προεπιλεγμένη ρύθμιση, κρατήστε πατημένο τον διακόπτη της πόρτας μέσα στο ψυγείο και ταυτόχρονα πατήστε το πλήκτρο ΕΝΕΡΓΟΠΟΙΗΣΗ/ΑΠΕΝΕΡΓΟΠΟΙΗΣΗ για 5 δευτερόλεπτα.
- Υπό κανονικές συνθήκες λειτουργίας (την άνοιξη και το φθινόπωρο), συνιστάται να ρυθμίσετε τη θερμοκρασία στους 4° C. Το καλοκαίρι όπου η θερμοκρασία περιβάλλοντος είναι υψηλή, συνιστάται να ρυθμίσετε τη θερμοκρασία στους 6~8° C, ούτως ώστε να εξασφαλιστούν οι θερμοκρασίες του ψυγείου και του καταψύκτη και να μειωθεί ο συνεχής χρόνος λειτουργίας του ψυγείου. Τον χειμώνα ή όταν η θερμοκρασία περιβάλλοντος είναι χαμηλή, συνιστάται να ρυθμίσετε τη θερμοκρασία στους 3~4° C ώστε να αποφύγετε τη συχνή εκκίνηση/διακοπή του ψυγείου.

## Εμφάνιση διαχείρισης κατάστασης αναμονής

- Εάν η πόρτα είναι κλειστή -> οθόνη σε αναμονή (όλα τα LED σβηστά)
- Εάν η πόρτα είναι ανοιχτή -> το LED τρέχουσας θερμοκρασίας ψυγείου και το LED θερμοκρασίας καταψύκτη είναι αναμμένα (σταθερά).
- Το LED λειτουργίας ECO + LED λειτουργίας Holiday είναι αναμμένα (σταθερά) εάν έχουν επιλεγεί προηγουμένως.
- Η οθόνη είναι έτοιμη να λάβει καταχωρήσεις (δεν χρειάζεται να την ενεργοποιήσετε με άγγιγμα).

## Λειτουργίες

Το κουμπί λειτουργίας χρησιμοποιείται για εναλλαγή μεταξύ των διαφορετικών λειτουργιών:

Ρύθμιση θερμοκρασίας ψυγείου → Ρύθμιση θερμοκρασίας καταψύκτη → Λειτουργία ECO → Λειτουργία Holiday → Ρύθμιση θερμοκρασίας ψυγείου...

Το σχετικό LED ανάβει και η επιλογή επιβεβαιώνεται αμέσως (δεν αναβοσβήνει). Η σύντομη ακουστική ανάδραση επιβεβαιώνει την επιλογή.

## Ρύθμιση θερμοκρασίας ψυγείου

Όταν η οθόνη είναι ενεργοποιημένη, επιλέξτε τη "ρύθμιση θερμοκρασίας ψυγείου" πατώντας το κουμπί MODE. Το LED της περιοχής ψυγείου ανάβει.

Πατήστε το κουμπί "TEMP" μέχρι να ρυθμιστεί η επιθυμητή θερμοκρασία.

Η τιμή της θερμοκρασίας αλλάζει με αυτόν τον τρόπο: 8°C -> 6°C -> 4°C -> 3°C -> 2°C -> super cooling -> 8°C...

Το σχετικό LED ανάβει και η επιλογή επιβεβαιώνεται αμέσως (δεν αναβοσβήνει).

Η σύντομη ακουστική ανάδραση επιβεβαιώνει την επιλογή.

## Ρύθμιση θερμοκρασίας καταψύκτη

Όταν η οθόνη είναι ενεργοποιημένη, επιλέξτε τη "ρύθμιση θερμοκρασίας καταψύκτη" πατώντας το κουμπί MODE. Το LED της περιοχής καταψύκτη ανάβει.

Πατήστε το κουμπί "TEMP" μέχρι να ρυθμιστεί η επιθυμητή θερμοκρασία.

Η τιμή της θερμοκρασίας αλλάζει με αυτόν τον τρόπο: -16°C -> -18°C -> -20°C -> -22°C -> -24°C -> Super freezing -> -16°C...

Το σχετικό LED ανάβει και η επιλογή επιβεβαιώνεται αμέσως (δεν αναβοσβήνει).

Η σύντομη ακουστική ανάδραση επιβεβαιώνει την επιλογή.

Η σύντομη ακουστική ανάδραση επιβεβαιώνει την επιλογή.

## Σημειώνεται:

Η εναλλαγή από την περιοχή ψυγείου σε καταψύκτη και αντίστροφα είναι άμεση όταν ο χρήστης πατήσει το κουμπί MODE και η επιλογή ενεργοποιείται αμέσως

Τα LED θερμοκρασίας δεν αναβοσβήνουν



### **Προσαρμοσμένη θερμοκρασία**

Είναι δυνατή η επιλογή θερμοκρασίας από 2°C έως 8°C στο ψυγείο και από -16°C έως -24°C στον καταψύκτη. Όταν η θερμοκρασία είναι επιλεγμένη από την εφαρμογή, ενεργοποιείται το προσαρμοσμένο εικονίδιο θερμοκρασίας, ενώ όλα τα LED θερμοκρασίας του αντίστοιχου θαλάμου είναι σβηστά (δηλαδή εάν η θερμοκρασία του ψυγείου έχει επιλεγεί από την εφαρμογή, τα LED από 2°C έως 8°C είναι απενεργοποιημένα).

Εάν η θερμοκρασία του καταψύκτη είναι επιλεγμένη από την εφαρμογή, τα LED από -16°C έως -24°C είναι σβηστά).

Εάν μόνο μία περιοχή (καταψύκτης ή ψυγείο) έχει την προσαρμοσμένη θερμοκρασία, η επιλογή θερμοκρασίας της άλλης περιοχής δεν αλλάζει και το φως LED της επιλεγμένης θερμοκρασίας αυτής της περιοχής παραμένει αναμμένο.

Η μεγάλη ακουστική ανάδραση (1 δευτερόλεπτο) επιβεβαιώνει την ολοκλήρωση της σύνδεσης.

### **Λειτουργία Super-Cool**

Προτείνεται να ενεργοποιήσετε τη λειτουργία Super Cool εάν πρέπει να αποθηκευτεί μεγάλη ποσότητα τροφίμων (για παράδειγμα μετά αγορά προμηθειών). Η λειτουργία Super-Cool επιταχύνει την ψύξη των φρέσκων τροφίμων και προστατεύει τα προϊόντα που έχουν ήδη αποθηκευτεί από την ανεπιθύμητη θέρμανση. Όταν ενεργοποιηθεί η λειτουργία, η θερμοκρασία του ψυγείου ορίζεται αυτόματα στους 2° C.

Πώς να χρησιμοποιήσετε τη λειτουργία Super Cool:

- Η λειτουργία μπορεί να ενεργοποιηθεί πατώντας παρατεταμένα το πλήκτρο ΘΕΡΜΟΚΡΑΣΙΑ για να επιλέξετε το διαμέρισμα του ψυγείου και, στη συνέχεια, πιέζοντας γρήγορα το πλήκτρο ΘΕΡΜΟΚΡΑΣΙΑ μέχρι να ενεργοποιηθεί το εικονίδιο Super Cool ή μπορεί να ενεργοποιηθεί από την εφαρμογή. Όταν η λειτουργία είναι ενεργοποιημένη, η λυχνία LED Super Cool είναι πάντα ενεργοποιημένη.
- Για έξοδο από τη λειτουργία Super Cool, πατήστε το πλήκτρο ΘΕΡΜΟΚΡΑΣΙΑ ή απενεργοποιήστε το από την εφαρμογή.

- Η λειτουργία Super Cool τερματίζεται αυτόματα όταν η λειτουργία έχει διαρκέσει περισσότερο από 12 ώρες.
- Όταν τελειώσει η λειτουργία Super Cool, το εικονίδιο του πίνακα ελέγχου θα είναι απενεργοποιημένο και το επίπεδο ψύξης που είχε ρυθμιστεί προηγουμένως αποκαθίσταται.

**Σημείωση:** Οι λειτουργίες Super Cool και Super Freeze δεν μπορούν να είναι ενεργοποιημένες ταυτόχρονα.

### **Λειτουργία Super Freeze**

Η λειτουργία υπερψύξης επιταχύνει την πολύ καλή ψύξη των φρέσκων τροφίμων και προστατεύει τα προϊόντα που έχουν ήδη αποθηκευτεί από την ανεπιθύμητη θέρμανση. Εάν μια μεγάλη ποσότητα τροφής πρέπει να καταψυχθεί, συνιστάται να ρυθμίσετε τη λειτουργία Super-Freeze σε 24h πριν από τη χρήση. Όταν ενεργοποιηθεί η λειτουργία, η θερμοκρασία ορίζεται αυτόματα στους -22° C. Πώς να χρησιμοποιήσετε τη λειτουργία Super Freeze:

- Η λειτουργία μπορεί να ξεκινήσει πατώντας παρατεταμένα το πλήκτρο ΘΕΡΜΟΚΡΑΣΙΑ για να επιλέξετε το διαμέρισμα κατάψυξης και, στη συνέχεια, πιέζοντας γρήγορα το πλήκτρο ΘΕΡΜΟΚΡΑΣΙΑ μέχρι να ενεργοποιηθεί το εικονίδιο Super Freeze ή μπορεί να ενεργοποιηθεί από την εφαρμογή. Όταν η λειτουργία είναι ενεργοποιημένη, η λυχνία LED Super Freeze είναι πάντα ενεργοποιημένη.
- Για έξοδο από τη λειτουργία Super Freeze, πατήστε το πλήκτρο ΘΕΡΜΟΚΡΑΣΙΑ ή απενεργοποιήστε το από την εφαρμογή.
- Η λειτουργία Super Freeze τερματίζεται αυτόματα όταν η λειτουργία έχει διαρκέσει περισσότερο από 50 ώρες.
- Όταν τελειώσει η λειτουργία Super Freeze, το εικονίδιο του πίνακα ελέγχου θα είναι απενεργοποιημένο και το επίπεδο ψύξης που είχε ρυθμιστεί προηγουμένως αποκαθίσταται.

**Σημείωση:** Οι λειτουργίες Super Cool και Super Freeze δεν μπορούν να είναι ενεργοποιημένες ταυτόχρονα.

### **Eco (οικολογική) λειτουργία**

Η λειτουργία Eco μπορεί να ενεργοποιηθεί για τη βελτιστοποίηση της απόδοσης της συσκευής, ενώ επιτυγχάνεται η καλύτερη αποθήκευση τροφίμων. Η λειτουργία Eco θα ρυθμίσει αυτόματα τη θερμοκρασία στους 4° C στο ψυγείο και στους -18° C στην κατάψυξη.

Τρόπος χρήσης της λειτουργίας Eco:

- Η λειτουργία μπορεί να ενεργοποιηθεί από τον πίνακα ελέγχου πατώντας το πλήκτρο "mode" μέχρι να ενεργοποιηθεί το εικονίδιο λειτουργίας Eco (ένα ακουστικό σήμα επιβεβαιώνει την επιλογή) ή επιλέγοντας τη λειτουργία από την εφαρμογή. Όταν η λειτουργία είναι ενεργοποιημένη, το εικονίδιο λειτουργίας Eco είναι πάντα ενεργοποιημένο.
- Για έξοδο από το Eco απενεργοποιήστε το από την εφαρμογή ή επιλέξτε μια άλλη λειτουργία από τον πίνακα ελέγχου.
- Όταν τελειώσει η λειτουργία Eco, το εικονίδιο του πίνακα ελέγχου θα είναι απενεργοποιημένο και τα επίπεδα ψύξης που είχαν ρυθμιστεί προηγουμένως αποκαθίστανται.

## Λειτουργία στις ημέρες διακοπών

Η Λειτουργία κατά τις Διακοπές μπορεί να χρησιμοποιηθεί για τη μείωση της κατανάλωσης ενέργειας της συσκευής, όταν δεν χρησιμοποιείται τακτικά. Όταν η λειτουργία είναι ενεργοποιημένη, τα φώτα LED θα σβήσουν (ακόμα και αν η πόρτα είναι ανοιχτή) και το ψυγείο θα λειτουργεί σε κατάσταση λειτουργία χαμηλής κατανάλωσης ενέργειας, ενώ ο καταψύκτης θα συνεχίσει να λειτουργεί κανονικά.

Πώς να χρησιμοποιήσετε τη λειτουργία στις ημέρες διακοπών:

- Η λειτουργία μπορεί να ενεργοποιηθεί από τον πίνακα ελέγχου πατώντας το πλήκτρο “mode” μέχρι να ενεργοποιηθεί το εικονίδιο Διακοπών (ένα ακουστικό σήμα επιβεβαιώνει την επιλογή) ή επιλέγοντας τη λειτουργία από την εφαρμογή. Όταν η λειτουργία είναι ενεργοποιημένη, το εικονίδιο “Διακοπές” είναι πάντα ενεργοποιημένο.
- Για να κλείσετε τη λειτουργία Διακοπών, απενεργοποιήστε την από την εφαρμογή ή επιλέξτε μια άλλη λειτουργία από τον πίνακα ελέγχου.
- Όταν τελειώσει η λειτουργία στις ημέρες διακοπών, το εικονίδιο του πίνακα ελέγχου θα είναι απενεργοποιημένο και τα επίπεδα ψύξης που είχαν ρυθμιστεί προηγουμένως αποκαθίστανται.

## Απόψυξη

Όταν το στρώμα πάγου στον καταψύκτη ξεπερνά τα 3mm, συνιστάται να διεξάγετε απόψυξη καθώς αυξάνεται η κατανάλωση ενέργειας.

- Απενεργοποιήστε τη συσκευή και αποσυνδέστε το καλώδιο τροφοδοσίας.
- Αφαιρέστε τα κατεψυγμένα τρόφιμα και τοποθετήστε τα προσωρινά σε ένα κρύο μέρος.
- Αφήστε την πόρτα του καταψύκτη ανοιχτή και συλλέξτε το νερό στο κάτω μέρος του προϊόντος.
- Όταν ολοκληρωθεί η απόψυξη, στεγνώστε καλά το εσωτερικό.
- Συνδέστε εκ νέου το τροφοδοτικό καλώδιο και ρυθμίστε τις κατάλληλες τιμές.
- Περιμένετε ένα λεπτό και εισάγετε τα κατεψυγμένα τρόφιμα.

## Λειτουργία επίδειξης

Για να εισέλθετε στη λειτουργία επίδειξης, με την οθόνη ξεκλειδωτή, κρατήστε πατημένο το πλήκτρο Wi-Fi (B) και πατήστε το πλήκτρο MODE (C) 5 φορές μέσα σε 5 δευτερόλεπτα. Για έξοδο από τη λειτουργία επίδειξης, εκτελέστε την ίδια λειτουργία ή απενεργοποιήστε το ψυγείο.

## Κωδικοί σφάλματος

- Σφάλμα επικοινωνίας

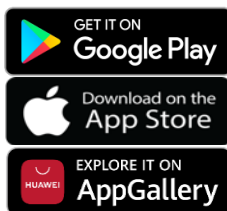
8° C – 6° C – 4° C – 3° C – τα φώτα LED 2° C ανάβουν διαδοχικά, σημαίνει ότι έχει υπάρξει σφάλμα επικοινωνίας μεταξύ της κύριας πλακέτας ελέγχου και της πλακέτας απεικόνισης. Παρακαλούμε επικοινωνήστε με την τεχνική βοήθεια για να βοηθήσει στην επίλυση του προβλήματος

## ΧΡΗΣΗ WI-FI

### Κατά τη διαδικασία σύνδεσης εφαρμογής

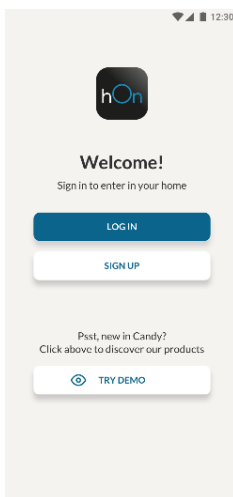
#### Βήμα 1

- Κατεβάστε την εφαρμογή hOn στους σχετικούς χώρους



#### Βήμα 2

- Δημιουργήστε το λογαριασμό σας στην εφαρμογή hOn ή συνδεθείτε εάν έχετε ήδη λογαριασμό



#### Βήμα 3

- Ακολουθήστε τις οδηγίες σύζευξης της εφαρμογής hOn

## Χρήση Wi-Fi

Όταν η οθόνη είναι ενεργοποιημένη, με ένα σύντομο πάτημα του κουμπιού Wi-Fi ξεκινά ο συγχρονισμός και το LED Wi-Fi αρχίζει να αναβοσβήνει. Ακολουθήστε τις οδηγίες στην Εφαρμογή για να ολοκληρώσετε τη σύνδεση.

Η μεγάλη ακουστική ανάδραση (1 δευτερόλεπτο) επιβεβαιώνει ότι η σύνδεση έχει δημιουργηθεί και το LED παραμένει σταθερά αναμμένο.

Εάν το Wi-Fi δεν έχει ρυθμιστεί ακόμα, όταν το ψυγείο ενεργοποιείται, θα εισέλθει αυτόματα στη λειτουργία διαμόρφωσης και θα διατηρήσει αυτήν την κατάσταση για 30 λεπτά. Για να χρησιμοποιήσετε τη λειτουργία ρύθμισης παραμέτρων:

- Πατήστε το πλήκτρο Wi-Fi για 2s, το ψυγείο εισέρχεται στη λειτουργία διαμόρφωσης Wi-Fi και γίνεται ακουστικό σήμα. Το εικονίδιο Wi-Fi αρχίζει να αναβοσβήνει.
- Ακολουθήστε τις οδηγίες της εφαρμογής για να διαμορφώσετε το Wi-Fi (δείτε παραπάνω).
- Μόλις ρυθμιστεί το Wi-Fi και δημιουργηθεί η σύνδεση, το εικονίδιο Wi-Fi είναι σε και σταθερό.
- Μετά από 30 λεπτά χωρίς να εκτελείται καμία λειτουργία, το Wi-Fi θα εξέλθει αυτόματα από τη λειτουργία διαμόρφωσης.
- Εάν το Wi-Fi έχει ήδη ρυθμιστεί, θα επανασυνδεθεί αυτόματα σύμφωνα με τις πληροφορίες διαμόρφωσης.

Για να επαναφέρετε το Wi-Fi, πατήστε παρατεταμένα το πλήκτρο Wi-Fi – Mode για 2s, το Wi-Fi επαναφέρεται και γίνεται ακουστικό σήμα. Μετά από αυτό, το Wi-Fi θα εισέλθει αυτόματα στην κατάσταση διαμόρφωσης (το εικονίδιο Wi-Fi θα αρχίσει να αναβοσβήνει ξανά).

Για να απενεργοποιήσετε το Wi-Fi, πατήστε το πλήκτρο Wi-Fi για 3s.

## Radio-module - Τεχνικά στοιχεία

Ρυθμός συχνότητας (OFR)	2400 MHz-2843.5 MHz
Συχνότητες καναλιών	2412...2472 MHz(μέγεθος βήματος 5 MHz)
Μέγιστη ισχύς(EIRP)	100 mW

Ο τύπος ραδιοεξοπλισμού συμμορφώνεται με την Οδηγία 2014/53/EU.

## ΑΝΤΙΜΕΤΩΠΙΣΗ ΠΡΟΒΛΗΜΑΤΩΝ

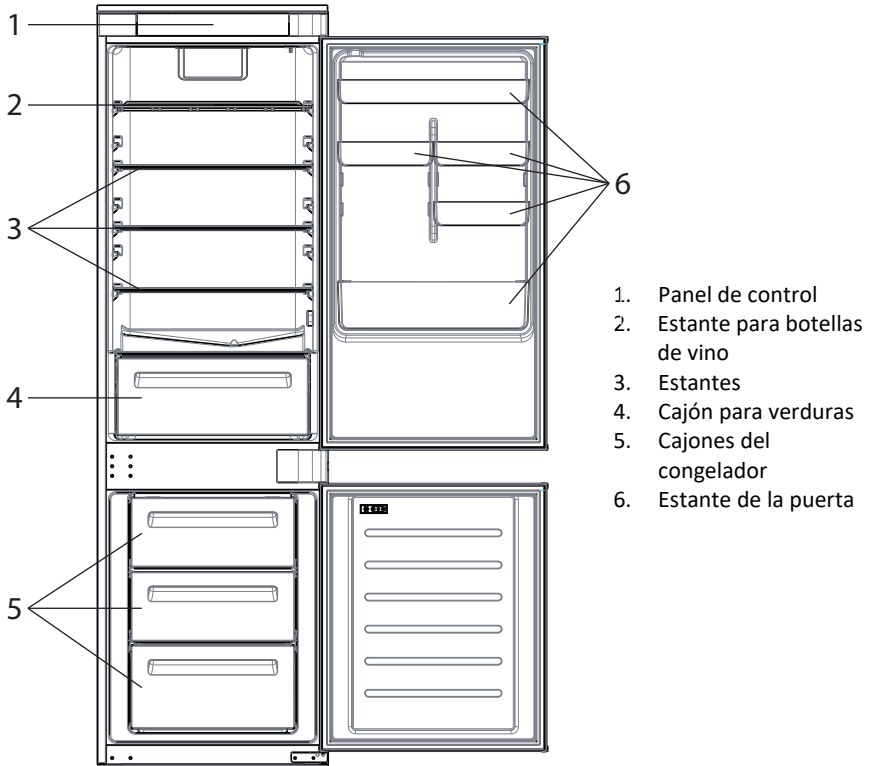
Ο εσωτερικός λαμπτήρας δεν ανάβει.	<ul style="list-style-type: none"> <li>Χωρίς ηλεκτρικό ρεύμα.</li> </ul>	<ul style="list-style-type: none"> <li>Το καλώδιο τροφοδοσίας δεν έχει μπει σωστά στην πρίζα.</li> <li>Ελέγξτε αν η συσκευή είναι απενεργοποιημένη (βλ. Ρύθμιση Θερμοκρασίας).</li> <li>Ελέγξτε αν η πρίζα του ρεύματος λειτουργεί σωστά (π.χ. με άλλη ηλεκτρική συσκευή).</li> </ul>
	<ul style="list-style-type: none"> <li>Έχει ενεργοποιηθεί η λειτουργία Holiday.</li> </ul>	<ul style="list-style-type: none"> <li>Απενεργοποιήστε τη λειτουργία Holiday.</li> </ul>
Η εσωτερική θερμοκρασία του ψυγείου ή/και του καταψυκτικού δεν είναι αρκετά κρύα.	<ul style="list-style-type: none"> <li>Οι πόρτες δεν έχουν κλείσει.</li> </ul>	<ul style="list-style-type: none"> <li>Ελέγξτε αν η πόρτα και τα λάστιχα κλείνουν σωστά.</li> </ul>
	<ul style="list-style-type: none"> <li>Οι πόρτες ανοίγουν συχνά.</li> </ul>	<ul style="list-style-type: none"> <li>Αποφύγετε να ανοίγετε τις πόρτες χωρίς λόγο για κάποιο χρονικό διάστημα.</li> </ul>
	<ul style="list-style-type: none"> <li>Λανθασμένη ρύθμιση θερμοκρασίας.</li> </ul>	<ul style="list-style-type: none"> <li>Ελέγξτε τη ρύθμιση της θερμοκρασίας και, εάν είναι δυνατόν, ρυθμίστε χαμηλότερη θερμοκρασία (βλ. Ρύθμιση Θερμοκρασίας).</li> </ul>
	<ul style="list-style-type: none"> <li>Το ψυγείο ή/και ο καταψυκτικός είναι πολύ γεμάτα.</li> </ul>	<ul style="list-style-type: none"> <li>Περιμένετε να σταθεροποιηθεί η θερμοκρασία του ψυγείου/καταψυκτικού. Αποφύγετε να γεμίσετε υπερβολικά το ψυγείο και τον καταψυκτικό.</li> </ul>
Το φαγητό στο ψυγείο παγώνει.	<ul style="list-style-type: none"> <li>Η θερμοκρασία περιβάλλοντος είναι πολύ χαμηλή.</li> </ul>	<ul style="list-style-type: none"> <li>Μεταποστέψτε τη μονάδα σε θερμότερο χώρο ή θερμαντέτε το τρέχον δωμάτιο.</li> </ul>
	<ul style="list-style-type: none"> <li>Έχουν αποθηκευτεί ζεστά προϊόντα.</li> </ul>	<ul style="list-style-type: none"> <li>Αφήνετε πάντα τα προϊόντα να κρυώσουν πριν τα αποθηκεύσετε.</li> </ul>
Το κάτω μέρος του θαλάμου ψυγείου είναι υγρό ή υπάρχουν σταγονίδια νερού.	<ul style="list-style-type: none"> <li>Λανθασμένη ρύθμιση θερμοκρασίας.</li> </ul>	<ul style="list-style-type: none"> <li>Ελέγξτε τη ρύθμιση της θερμοκρασίας και, εάν είναι δυνατόν, αυξήστε τη θερμοκρασία.</li> </ul>
	<ul style="list-style-type: none"> <li>Τρόφιμα σε επαφή με το πίσω τοίχωμα.</li> </ul>	<ul style="list-style-type: none"> <li>Κρατήστε τα τρόφιμα σε απόσταση από το πίσω τοίχωμα του ψυγείου.</li> </ul>
Το κάτω μέρος του θαλάμου ψυγείου είναι υγρό ή υπάρχουν σταγονίδια νερού.	<ul style="list-style-type: none"> <li>Ο εύκαμπτος σωλήνας αποχέτευσης μπορεί να είναι βουλωμένος.</li> </ul>	<ul style="list-style-type: none"> <li>Καθαρίστε τον εύκαμπτο σωλήνα αποχέτευσης με βέργα ή παρόμοιο αντικείμενο για να επιτραπεί η αποχέτευση του νερού.</li> </ul>
	<ul style="list-style-type: none"> <li>Ανάλογα με τη λειτουργία, σχηματίζονται σταγονίδια νερού ή πάγος στο πίσω τοίχωμα του ψυγείου κατά τη λειτουργία του ψυγείου.</li> </ul>	<ul style="list-style-type: none"> <li>Δεν είναι ελάττωμα.</li> </ul>
	<ul style="list-style-type: none"> <li>Έχουν αποθηκευτεί ζεστά προϊόντα.</li> </ul>	<ul style="list-style-type: none"> <li>Αφήνετε πάντα τα προϊόντα να κρυώσουν πριν τα αποθηκεύσετε.</li> </ul>
	<ul style="list-style-type: none"> <li>Υπάρχουν ανοιχτά δοχεία τροφίμων ή υγρών.</li> </ul>	<ul style="list-style-type: none"> <li>Καλύψτε πάντα τα τρόφιμα και τα υγρά.</li> </ul>
	<ul style="list-style-type: none"> <li>Οι πόρτες δεν έχουν κλείσει.</li> </ul>	<ul style="list-style-type: none"> <li>Ελέγξτε αν η πόρτα και τα λάστιχα κλείνουν σωστά.</li> </ul>
Παρουσία σταγονίων νερού ή πάγος στο πίσω τοίχωμα του ψυγείου.	<ul style="list-style-type: none"> <li>Οι πόρτες ανοίγουν συχνά.</li> </ul>	<ul style="list-style-type: none"> <li>Αποφύγετε να ανοίγετε τις πόρτες χωρίς λόγο για κάποιο χρονικό διάστημα.</li> </ul>
	<ul style="list-style-type: none"> <li>Απουσία κυκλοφορίας αέρα.</li> </ul>	<ul style="list-style-type: none"> <li>Βεβαιωθείτε ότι η συσκευή σας δεν είναι πολύ γεμάτη.</li> </ul>
	<ul style="list-style-type: none"> <li>Λαχανικά και φρούτα με υπερβολική υγρασία.</li> </ul>	<ul style="list-style-type: none"> <li>Τυλίξτε τα φρούτα και τα λαχανικά σε πλαστικά πλάκ, π.χ. μεμβράνη, σακούλες ή δοχεία.</li> </ul>
	<ul style="list-style-type: none"> <li>Οι πόρτες δεν έχουν κλείσει.</li> </ul>	<ul style="list-style-type: none"> <li>Ελέγξτε αν η πόρτα είναι κλειστή και ελέγξτε αν οι ταμνοίχοι εφαρμόζουν σωστά.</li> </ul>
Ο κινητήρας λειτουργεί συνεχώς.	<ul style="list-style-type: none"> <li>Οι πόρτες ανοίγουν συχνά.</li> </ul>	<ul style="list-style-type: none"> <li>Αποφύγετε να ανοίγετε τις πόρτες χωρίς λόγο για κάποιο χρονικό διάστημα.</li> </ul>
	<ul style="list-style-type: none"> <li>Πολύ υψηλή θερμοκρασία περιβάλλοντος.</li> </ul>	<ul style="list-style-type: none"> <li>Βεβαιωθείτε ότι η θερμοκρασία περιβάλλοντος βρίσκεται στο εύρος που ορίζεται στις προδιαγραφές, που αναγράφονται στην ετικέτα της συσκευής.</li> <li>Ρυθμίστε την οθόνη ενδείξεων/θερμοστάτη σε θερμότερη θερμοκρασία.</li> </ul>
	<ul style="list-style-type: none"> <li>Η συσκευή ήταν απενεργοποιημένη (χωρίς ρεύμα) για κάποιο χρονικό διάστημα.</li> </ul>	<ul style="list-style-type: none"> <li>Συνήθως η συσκευή χρειάζεται 8-12 ώρες για να κρυώσει εντελώς.</li> </ul>
	<ul style="list-style-type: none"> <li>Θερμοκρασία περιβάλλοντος πολύ χαμηλή.</li> </ul>	<ul style="list-style-type: none"> <li>Μεταποστέψτε τη μονάδα σε θερμότερο χώρο ή θερμαντέτε το τρέχον δωμάτιο.</li> </ul>
Τα παγωμένα τρόφιμα ξεπαγώνουν.	<ul style="list-style-type: none"> <li>Η πόρτα του καταψυκτικού δεν έχει κλείσει.</li> </ul>	<ul style="list-style-type: none"> <li>Βεβαιωθείτε ότι η πόρτα είναι κλειστή και το λάστιχο εφαρμόζει σωστά.</li> </ul>
	<ul style="list-style-type: none"> <li>Θερμοκρασία περιβάλλοντος πολύ χαμηλή.</li> </ul>	<ul style="list-style-type: none"> <li>Μεταποστέψτε τη μονάδα σε θερμότερο χώρο ή θερμαντέτε το τρέχον δωμάτιο.</li> </ul>
Συναγερμός πόρτας ψυγείου.	<ul style="list-style-type: none"> <li>Ο συναγερμός πόρτας ψυγείου (ηχητικό σήμα μπιπ) ενεργοποιείται κάθε φορά που η πόρτα μένει ανοιχτή για περισσότερο από 3 λεπτά.</li> </ul>	<ul style="list-style-type: none"> <li>Αποφύγετε να αφήνετε την πόρτα ανοιχτή όταν δεν χρειάζεται. Το μπιπ σταματά όταν η πόρτα κλείσει.</li> </ul>
	<ul style="list-style-type: none"> <li>Δεν πρόκειται για βλάβες. Ένας κινητήρας λειτουργεί, π.χ. μονάδα ψύξης, ανεμιστήρας. Το ψυκτικό μέσο ρέει μέσα στους σωλήνες. Ο κινητήρας, οι διακόπτες και οι ηλεκτρομαγνητικές βαλβίδες ενεργοποιούνται ή απενεργοποιούνται.</li> </ul>	<ul style="list-style-type: none"> <li>Δεν απαιτείται καμία ενέργεια.</li> </ul>
Η συσκευή κάνει θορύβους όπως γουργουρητό, βουητό, κλικ, τρίζιμο.	<ul style="list-style-type: none"> <li>Η συσκευή δεν βρίσκεται σε επίπεδο έδαφος.</li> </ul>	<ul style="list-style-type: none"> <li>Ρυθμίστε τα πόδια για να ισοπεδώσει τη συσκευή.</li> </ul>
	<ul style="list-style-type: none"> <li>Η συσκευή αγγίζει κάποιο αντικείμενο γύρω της.</li> </ul>	<ul style="list-style-type: none"> <li>Αφαιρέστε τα αντικείμενα γύρω από τη συσκευή.</li> </ul>
Η συσκευή δεν ψυχραίνει, οι ενδείξεις θερμοκρασίας και φωτισμού είναι αναμμένες.	<ul style="list-style-type: none"> <li>Η λειτουργία επιδείξης είναι ενεργοποιημένη.</li> </ul>	<ul style="list-style-type: none"> <li>Απενεργοποιήστε τη λειτουργία ΕΠΙΔΕΙΞΗΣ.</li> </ul>
Έντονος πάγος και δροσισμός στον θαλάμο του καταψυκτικού.	<ul style="list-style-type: none"> <li>Τα προϊόντα δεν είναι συσκευαστεί ικανοποιητικά.</li> </ul>	<ul style="list-style-type: none"> <li>Πάντα να συσκευάζετε καλά τα προϊόντα.</li> </ul>
	<ul style="list-style-type: none"> <li>Η πόρτα/το συρτάρι της συσκευής δεν είναι κλειστό καλά.</li> </ul>	<ul style="list-style-type: none"> <li>Κλείστε την πόρτα/το συρτάρι.</li> </ul>
	<ul style="list-style-type: none"> <li>Η πόρτα/το συρτάρι ανοίγει πολύ συχνά ή για μεγάλα χρονικά διαστήματα.</li> </ul>	<ul style="list-style-type: none"> <li>Μην ανοίγετε την πόρτα/το συρτάρι πολύ συχνά.</li> </ul>
	<ul style="list-style-type: none"> <li>Το λάστιχο πόρτας/συρταριού είναι βρώμικο, φθαρμένο, ραγισμένο ή παλιό.</li> </ul>	<ul style="list-style-type: none"> <li>Καθαρίστε το λάστιχο πόρτας/συρταριού ή αντικαταστήστε το με καινούριο.</li> </ul>
Οι πτερές της συσκευής είναι ζεστές.	<ul style="list-style-type: none"> <li>Κάτι στο εσωτερικό εμποδίζει το σωστό κλείσιμο της πόρτας/του συρταριού.</li> </ul>	<ul style="list-style-type: none"> <li>Επιανεμοθετήστε τα ράφια. Τα ράφια πόρτας ή οι εσωτερικά δοχεία για να επιτραπεί το κλείσιμο της πόρτας/του συρταριού.</li> </ul>
	<ul style="list-style-type: none"> <li>Αυτό είναι φυσιολογικό.</li> </ul>	

# Resumen

---

DESCRIPCIÓN DEL PRODUCTO .....	2
USO .....	3
Uso .....	3
Gestión del modo de espera de la pantalla.....	4
Modos .....	4
Ajustes de la temperatura del frigorífico.....	4
Ajustes de temperatura del congelador .....	4
Temperatura personalizada .....	5
Función Súper Fresco .....	5
Función Súper Congelación.....	6
Modo Eco .....	6
Función Vacaciones.....	7
Descongelación .....	7
Modo Demo .....	7
Códigos de error .....	7
Procedimiento de emparejamiento en la aplicación .....	8
Uso del Wi-Fi .....	9
SOLUCIÓN DE PROBLEMAS.....	10

## DESCRIPCIÓN DEL PRODUCTO



\* La configuración que ahorra más energía requiere colocar cajones, fiambreras y estantes en el producto y que el ventilador esté apagado, por favor consulte las imágenes de arriba.

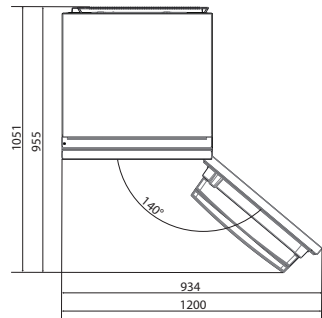
\*\* Las imágenes de arriba son solo de referencia. La configuración real dependerá del producto físico o la declaración del distribuidor.

### Requisitos de espacio

La puerta de la unidad debe poder abrirse completamente como se muestra en la imagen. Deje suficiente espacio para abrir cómodamente las puertas y los cajones. Mantenga una distancia de al menos 50 mm entre las paredes laterales del producto y los componentes adyacentes.

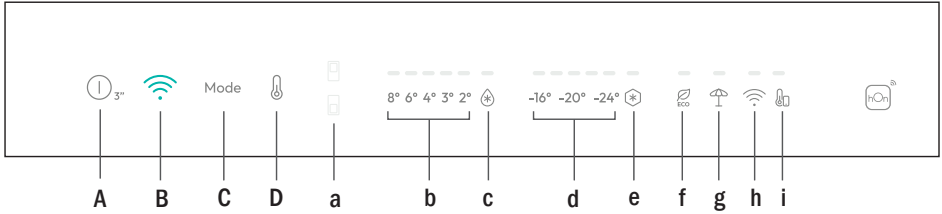
Gabinete de 540 mm: Ancho: 934 mm  
Profundidad: 955 mm

Gabinete de 700 mm: Ancho: 1200 mm  
Profundidad: 1051 mm





## USO



- A. Tecla de ENCENDIDO/APAGADO, presione durante 3 segundos. El aparato se enciende emitiendo una señal acústica prolongada (1 segundo).
  - B. Tecla Wi-Fi, utilizado para conectar el aparato
  - C. Tecla Mode, sirve para seleccionar entre Frigorífico, Congelador, Eco y Vacaciones
  - D. Tecla TEMP, sirve para seleccionar entre niveles de temperatura (también Super Cool y Super Freeze)
- a. Icono de la zona de refrigeración / congelador, que indica qué compartimento del aparato está seleccionado.
  - b. Niveles de temperatura, indica la temperatura seleccionada.
  - c. Icono Súper Fresco, que indica si la función está activada.
  - d. Niveles de temperatura del congelador, que indica la temperatura seleccionada en el congelador.
  - e. Icono Súper Congelación, que indica si la función está activada.
  - f. Icono del modo Eco, que indica si el modo eco está activado.
  - g. Icono de la función de vacaciones, que indica si la función de vacaciones está activada.
  - h. Icono Wi-Fi, que indica si el Wi-Fi está habilitado y el electrodoméstico está conectado.
  - i. Icono de temperatura personalizada, que indica si la temperatura ha sido seleccionada mediante la aplicación.

### Uso

- Enchufe el aparato y se enciende automáticamente con una respuesta acústica larga (1 segundo) Todos los LED se encienden (1 segundo), luego el LED de temperatura del refrigerador y el LED del congelador se encienden fijos.
- La temperatura se ajustará automáticamente a 4 °C en el refrigerador y a -18 °C en el congelador.  
**NOTA:** espere al menos 2/3 horas antes de introducir los alimentos para conseguir una temperatura adecuada en el interior del refrigerador.
- En caso de pérdida de energía, se restablecerá el último nivel de refrigeración.
- Para restablecer el ajuste por defecto, mantenga pulsado el interruptor de la puerta en el interior del refrigerador y pulse simultáneamente la tecla de ENCENDIDO/APAGADO durante 5 segundos.
- Bajo condiciones de funcionamiento normales (en primavera y otoño), se recomienda ajustar la temperatura a 4 °C. En verano o cuando la temperatura ambiente es alta, se recomienda ajustar la temperatura a 6~8 °C, a fin de garantizar la temperatura del refrigerador y del congelador y reducir el tiempo de funcionamiento continuo del refrigerador. En invierno o cuando la temperatura ambiente es baja, se recomienda ajustar la temperatura a 3~4 °C para evitar arranques y paradas frecuentes del refrigerador.

## Gestión del modo de espera de la pantalla

- Si la puerta está cerrada -> pantalla en espera (todos los LED apagados)
- Si la puerta está abierta -> el LED de temperatura actual del frigorífico y el LED de temperatura del congelador están encendidos (fijos).
- El LED de modo ECO + el LED de modo Vacaciones se encienden (fijos) si se seleccionaron previamente.
- La pantalla está lista para recibir entradas (no es necesario activarla al tacto).

## Modos

El botón del modo se utiliza para cambiar entre modos.

El LED correspondiente se enciende y la selección se confirma de forma inmediata (sin parpadeo).

La selección se confirma con una respuesta acústica corta.

## Ajustes de la temperatura del frigorífico

Cuando la pantalla esté encendida, seleccione «Ajustes de temperatura del frigorífico» pulsando el botón MODE. Se enciende el LED de la zona del frigorífico.

Pulse el botón «TEMP» hasta ajustar la temperatura deseada.

El valor de la temperatura cambia de esta forma: 8 °C -> 6 °C -> 4 °C -> 3 °C -> 2 °C ->

Superenfriamiento -> 8 °C... El LED correspondiente se enciende y la selección se confirma de forma inmediata (sin parpadeo).

La selección se confirma con una respuesta acústica corta.

## Ajustes de temperatura del congelador

Cuando la pantalla esté encendida, seleccione «Ajustes de temperatura del congelador» pulsando el botón MODE. Se enciende el LED de la zona del congelador.

Pulse el botón «TEMP» hasta ajustar la temperatura deseada.

El valor de la temperatura cambia de esta manera: -16 °C -> -18 °C -> -20 °C -> -22 °C -> -24 °C -> Supercongelación -> -16 °C...

El LED correspondiente se enciende y la selección se confirma de forma inmediata (sin parpadeo).

La selección se confirma con una respuesta acústica corta.

## Observaciones:

El cambio de frigorífico a congelador y viceversa es inmediato cuando el usuario pulsa el botón MODE, y la selección está inmediatamente activa

Los LED de temperatura no parpadean

## **Temperatura personalizada**

Desde la aplicación es posible personalizar la temperatura tanto del frigorífico como del congelador. La temperatura se puede ajustar con una sensibilidad de 1 °C. Es posible seleccionar una temperatura de entre 2 °C y 8 °C en el frigorífico, y de entre -16 °C y -24 °C en el congelador.

Si la temperatura ha sido seleccionada a través de la aplicación, se enciende el icono de la temperatura personalizada, mientras que se apagan todos los LEDs de temperatura del compartimento afectado (por ejemplo, si se selecciona la temperatura del frigorífico desde la aplicación, están apagados los LEDs de 2 °C a 8 °C. Si se selecciona la temperatura del congelador desde la aplicación, se apagarán los LEDs de -16 °C a -24 °C).

Si sólo una de las zonas (congelador o frigorífico) tiene la temperatura personalizada, la selección de temperatura de la otra zona no se modifica y el LED de la temperatura seleccionada de esa zona permanece encendido. Cada vez que se cambia la temperatura se emite una señal acústica.

La retroalimentación acústica larga (1 segundo) confirma que la conexión se ha completado.

## **Función Súper Fresco**

Se recomienda activar la función Súper Fresco si se debe guardar una gran cantidad de alimentos (por ejemplo, después de la compra). La función Súper Fresco acelera el enfriamiento de los alimentos frescos y protege las mercancías almacenadas de un calentamiento indeseado. Cuando la función está activada, la temperatura del frigorífico se ajusta automáticamente a 2 °C.

Cómo utilizar la función Súper Fresco:

- La función puede activarse manteniendo pulsada la tecla TEMP para seleccionar el compartimento del frigorífico y, a continuación, pulsando rápidamente la tecla TEMP hasta que se encienda el led del icono Súper Fresco, o bien puede activarse también desde la aplicación. Cuando la función está activada, el LED Súper Fresco está siempre encendido.
- Para salir de la función Súper Fresco, pulse la tecla TEMP o apáguela desde la aplicación.
- La función Súper Fresco finaliza automáticamente si la función ha permanecido más de 12 horas en funcionamiento.

- Cuando finaliza la función Súper Fresco, se apaga el icono del panel de control y se restablece el nivel de refrigeración previamente ajustado.

**Nota:** La función Súper Fresco y Súper Congelación no pueden activarse simultáneamente.

### **Función Súper Congelación**

La función de súper congelación acelera el enfriamiento de los alimentos frescos y protege los productos almacenados de un calentamiento indeseado. Si se debe congelar una gran cantidad de alimentos, se recomienda activar la función Súper Congelación 24 horas antes de su uso. Cuando la función está activada, la temperatura se ajusta automáticamente a -22 °C.

Cómo utilizar la función Súper Congelación:

- la función puede activarse manteniendo pulsada la tecla TEMP para seleccionar el compartimento del congelador, y luego rápidamente pulsando la tecla TEMP hasta que se encienda el icono Súper Congelación, o bien puede activarse también desde la aplicación. Cuando la función está activada, el LED Súper Congelación está siempre encendido.
- Para salir de la función Súper Congelación, pulse la tecla TEMP o apáguela desde la aplicación.
- La función Súper Congelación finaliza automáticamente cuando la función se ha ejecutado durante más de 50 horas.
- Cuando finalice la función Súper Congelación, se apaga el icono del panel de control y se restablece el nivel de refrigeración previamente ajustado.

**Nota:** La función Súper Fresco y Súper Congelación no pueden activarse simultáneamente.

### **Modo Eco**

El modo Eco puede activarse para optimizar el rendimiento del aparato, obteniendo al mismo tiempo la mejor conservación de los alimentos. El modo Eco ajustará automáticamente la temperatura a 4 °C en la nevera y a -18 °C en el congelador.

Cómo utilizar el modo Eco:

- La función se puede activar desde el panel de control pulsando la tecla "mode" hasta que se encienda el icono del modo Eco (una señal acústica confirma la selección), o también seleccionando la función desde la aplicación. Cuando la función está activada, el icono del modo Eco siempre está encendido.
- Para salir del modo Eco, puede apagarlo desde la aplicación o elegir otra función desde el panel de control.
- Cuando finaliza el modo Eco, se apaga el icono del panel de control y se restablecen los niveles de refrigeración previamente ajustados.

## **Función Vacaciones**

La función de vacaciones puede utilizarse para reducir el consumo de energía del electrodoméstico, si éste no se utiliza con regularidad. Cuando la función está activada, las luces LED estarán apagadas (aunque la puerta esté abierta) y el frigorífico funcionará en modo de bajo consumo, mientras que el congelador seguirá funcionando normalmente.

Cómo utilizar la función Vacaciones:

- La función se puede activar desde el panel de control pulsando la tecla "mode" hasta que se encienda el icono de vacaciones (una señal acústica confirma la selección), o también seleccionando la función desde la aplicación. Cuando la función está activada, el icono de vacaciones siempre está encendido.
- Para salir de la función Vacaciones, puede apagarla desde la aplicación o elegir otra función desde el panel de control.
- Cuando finaliza la función Vacaciones, se apaga el icono del panel de control y se restablecen los niveles de refrigeración previamente ajustados.

## **Descongelación**

Quando la capa de escarcha presente en el compartimento del congelador supere los 3 mm, se recomienda llevar a cabo una descongelación para evitar un incremento en el consumo energético del aparato.

- Apague el frigorífico y desenchufe el cable de alimentación.
- Retire los alimentos congelados y colóquelos temporalmente en un lugar fresco.
- Deje abierta la puerta del congelador y recoja el agua en el fondo del mismo.
- Una vez terminada la descongelación, seque bien el interior.
- Vuelva a enchufar el cable de alimentación y ajuste los valores deseados.
- Espere un momento antes de volver a introducir los alimentos congelados.

## **Modo Demo**

Para entrar en el modo de demostración, con la pantalla desbloqueada, mantenga pulsada la tecla Wi-Fi (B) y pulse la tecla MODE (C) 5 veces en 5 segundos. Para salir del modo de demostración, realice la misma operación o apague el frigorífico.

## **Códigos de error**

- Error de comunicación

Si se encienden secuencialmente los LEDs de 8 °C - 6 °C - 4 °C - 3 °C - 2 °C, significa que se ha producido un error de comunicación entre la placa de control principal y la placa de la pantalla. Póngase en contacto con el servicio de asistencia técnica para que le ayuden a resolver el problema

## USO DEL WI-FI

### Procedimiento de emparejamiento en la aplicación

#### Paso 1

- Descargue la aplicación hOn de la tienda de aplicaciones.



#### Paso 2

- Cree su cuenta en la aplicación hOn o inicie sesión si ya tiene una.



#### Paso 3

- Siga las instrucciones de emparejamiento en la aplicación hOn.

## Uso del Wi-Fi

Cuando la pantalla está encendida, pulsar brevemente el botón Wifi inicia la sincronización y el LED wifi empieza a parpadear. Siga las instrucciones de la aplicación para completar la conexión.

Una respuesta acústica prolongada (1 segundo) confirma que se ha establecido la conexión y el LED permanece encendido fijo.

Si aún no se ha configurado el Wi-Fi, al encender el frigorífico, éste entrará automáticamente en el modo de configuración y mantendrá este estado durante 30 minutos. Para utilizar el modo de configuración:

- Mantenga pulsada la tecla Wi-Fi 2 segundos para que el frigorífico entre en el modo de configuración Wi-Fi y se emita una señal acústica. El icono Wi-Fi empieza a parpadear.
- Siga las instrucciones de la aplicación para configurar el Wi-Fi (véase más arriba).
- Una vez que se ha configurado el Wi-Fi y se ha establecido la conexión, el icono Wi-Fi se mantiene encendido con una luz fija.
- Después de 30 minutos sin realizar ninguna operación, se saldrá automáticamente del modo de configuración Wi-Fi.
- Si el Wi-Fi ya ha sido configurado, se reconectará automáticamente de acuerdo con la información de configuración.

Para restablecer el Wi-Fi, mantenga pulsada la tecla Wi-Fi y Mode durante 2 segundos para que se restablezca el Wi-Fi y se emita una señal acústica. Después de esto, el Wi-Fi entrará automáticamente en el modo de configuración (el icono del Wi-Fi empezará a parpadear de nuevo).

Para apagar el Wi-Fi, pulse la tecla Wi-Fi durante 3s.

## Módulo de radio - Datos técnicos

Frecuencia / Proporción (OFR)	2400 MHz-2843.5 MHz
Frecuencias de canal	2412...2472 MHz(Numero de pie 5 MHz)
Poder maximo(EIRP)	100 mW

El tipo de equipo de radio cumple con la Directiva 2014/53/EU.

## SOLUCIÓN DE PROBLEMAS

La bombilla interior no se enciende.	• No hay electricidad.	• El cable de alimentación no se ha enchufado correctamente. • Compruebe si el aparato está apagado (véase Ajuste de la temperatura). • Compruebe que la toma de corriente funciona correctamente (por ejemplo, con otro aparato eléctrico).
	• El modo Holiday está activado.	• Desactive el modo Holiday.
La temperatura interna del frigorífico y/o congelador no es lo suficientemente fría.	• Las puertas no están cerradas.	• Compruebe que la puerta y las juntas cierren correctamente.
	• Las puertas se abren con demasiada frecuencia.	• Evite abrir las puertas innecesariamente durante algún tiempo.
	• Ajuste incorrecto de la temperatura.	• Compruebe el ajuste de la temperatura y, si es posible, ajuste una temperatura más baja (véase Ajuste de la temperatura).
	• El frigorífico y/o el congelador están demasiado llenos.	• Espere a que se establezca la temperatura del frigorífico/congelador. • Evite llenar excesivamente el frigorífico y el congelador.
	• La temperatura ambiente es demasiado baja.	• Traslade la unidad a un lugar más cálido o caliente la estancia actual.
	• Se han guardado objetos calientes.	• Deje siempre que los objetos se enfríen antes de guardarlos.
Los alimentos se congelan en el interior del frigorífico.	• Ajuste incorrecto de la temperatura.	• Compruebe el ajuste de la temperatura y, si es posible, aumente la temperatura.
	• Alimentos en contacto con la pared posterior.	• Mantenga los alimentos alejados de la pared trasera del frigorífico.
El fondo del compartimento frigorífico está húmedo o hay gotas de agua.	• La manguera de desagüe podría estar obstruida.	• Limpie la manguera de desagüe con un palo o elemento similar para permitir que el agua drene.
Presencia de gotas de agua o escarcha en la pared trasera del frigorífico.	• Dependiendo de la función, se forman gotas de agua o escarcha en la pared trasera del frigorífico durante el funcionamiento.	• No es un defecto.
	• Se han guardado objetos calientes.	• Deje siempre que los objetos se enfríen antes de guardarlos.
	• Hay recipientes de comida o líquidos abiertos.	• Cubra siempre los alimentos y los líquidos.
	• Las puertas no están cerradas.	• Compruebe que la puerta y las juntas cierren correctamente.
	• Las puertas se abren con demasiada frecuencia.	• Evite abrir las puertas innecesariamente durante algún tiempo.
Presencia de agua en el cajón de las verduras.	• Falta de circulación de aire.	• Compruebe que su aparato no está demasiado lleno.
	• Frutas y verduras con exceso de humedad.	• Envuelva las frutas y verduras en materiales plásticos, como film transparente, bolsas o recipientes.
El motor funciona de manera continua.	• Las puertas no están cerradas.	• Asegúrese de que las puertas estén cerradas y compruebe que las juntas se encuentren en buen estado.
	• Las puertas se abren con frecuencia.	• Evite abrir las puertas innecesariamente durante algún tiempo.
	• La temperatura ambiente es demasiado elevada.	• Compruebe que la temperatura ambiente se encuentra dentro del intervalo establecido en las especificaciones de la etiqueta del aparato. • Ajuste la pantalla/termostato a una temperatura más cálida.
	• El aparato ha estado apagado (sin corriente) durante algún tiempo.	• Normalmente, el aparato tarda entre 8 y 12 horas en enfriarse por completo.
Los alimentos congelados se están descongelando.	• La temperatura ambiente es demasiado baja.	• Traslade la unidad a un lugar más cálido o caliente la estancia actual.
	• La puerta del congelador no está cerrada.	• Asegúrese de que la puerta esté cerrada y de que la junta se encuentre en buen estado.
Alarma de la puerta del frigorífico.	• La alarma de la puerta del frigorífico (pitido acústico) se activa cuando la puerta permanece abierta durante más de 3 minutos.	• Evite dejar la puerta abierta cuando no sea necesario. El pitido cesa cuando se cierra la puerta.
El aparato hace ruidos como gorgoteos, zumbidos, chasquidos, crujidos.	• Sin averías. Hay un motor en marcha, por ejemplo, una unidad de refrigeración o un ventilador. El refrigerante fluye por las tuberías. El motor, los interruptores y las electroválvulas se conectan o desconectan.	• No es necesaria ninguna acción.
	• El electrodoméstico no está ubicado sobre una superficie plana.	• Ajuste las patas para nivelar el electrodoméstico.
	• El electrodoméstico toca algún objeto a su alrededor.	• Retire los objetos que haya alrededor del electrodoméstico.
El aparato no enfría, los indicadores de temperatura e iluminación están encendidos.	• El modo Demo está activado.	• Desactive el modo DEMO.
Hay mucho hielo y escarcha en el compartimento congelador.	• Los artículos no están correctamente embalados.	• Empaque bien los artículos.
	• Una puerta/cajón del electrodoméstico no está bien cerrada.	• Cierre la puerta/cajón.
	• La puerta/cajón se ha abierto con demasiada frecuencia o durante mucho tiempo.	• No abra la puerta/cajón con demasiada frecuencia.
	• La junta de la puerta/cajón está sucia, desgastada, agrietada o desparejada.	• Limpie la junta de la puerta/cajón o sustitúyala por una nueva.
	• Algo en el interior impide que la puerta/cajón se cierre correctamente.	• Vuelva a colocar los estantes, estantes de la puerta o contenedores internos para permitir que la puerta/cajón se cierre.
Los laterales del aparato están calientes.	• Esto es normal.	

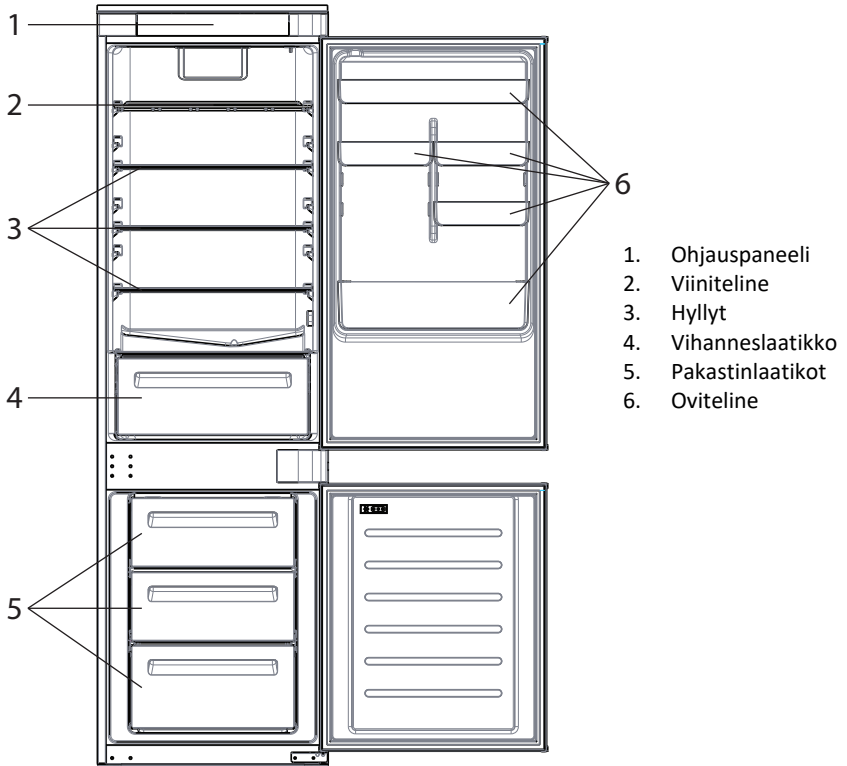


# Yhteenveto

---

TUOTEKUVAUS.....	2
KÄYTTÖ .....	3
Käyttö .....	3
Näytön valmiustilan hallinta.....	4
Tilat .....	4
Jääkaapin lämpötilan asetus .....	4
Pakastimen lämpötilan asetus.....	4
Mukautettu lämpötila .....	5
Super Cool -toiminto .....	5
Super Freeze -toiminto .....	6
Eco-tila .....	6
Loma-toiminto .....	7
Sulatus.....	7
Esittelytila.....	7
Virhekoodit.....	7
Sovelluksen sisäinen laiteparinmuodostus .....	8
Wi-Fi käyttö .....	9
VIANETSINTÄ.....	10

## TUOTEKUVAUS



\* Laitte käyttää vähiten energiaa, kun hyllyt, laatikot ja ruokalaatikko on asetettu laitteen sisään ja tuuletin on pois päältä. Katso lisätietoja yläpuolella olevista kuvista.

\*\* Yllä olevat kuvat ovat vain viitteellisiä. Varsinainen kokoonpano määräytyy jälleenmyyjän fyysisen tuotteen tai lausuntojen mukaan.

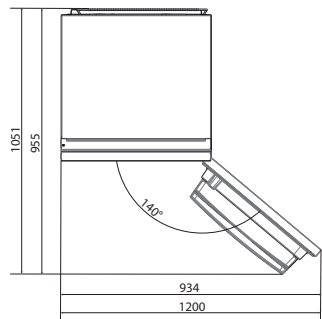
### Tilantarve

Yksikön luukku on voitava avata kokonaan kuvan mukaisesti. Varaa riittävästi tilaa ovien ja vetolaatikoiden kunnolliseen avaamiseen.

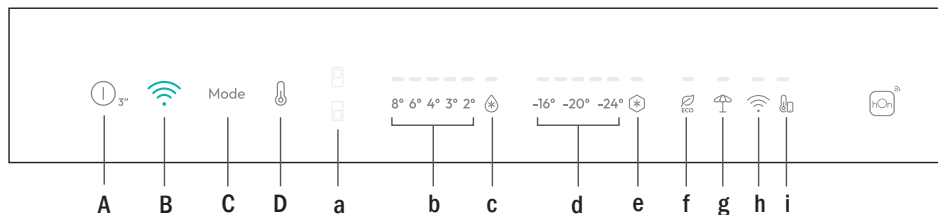
Pidä vähintään 50 mm etäisyys tuotteen sivuseinien ja viereisten osien välillä.

540 mm Kaappi: Leveys: 934 mm  
Syvyys: 955 mm

700 mm Kaappi: Leveys: 1200 mm  
Syvyys: 1051 mm



# KÄYTTÖ



- A. ON/OFF-painike, paina 3 sekuntia. Laitteesta kuuluu pitkä (1 sekunnin) äänimerkki sen käynnistyessä.
- B. Wi-Fi-avain, käytetään laitteen kytkemiseen
- C. Mode-painike, käytetään valitsemaan jääkaapin, pakastin, ekologisen ja loman välillä
- D. TEMP-painike, käytetään valitsemaan lämpötilatasojen välillä (myös Super Cool ja Super Freeze)
- a. Jääkaappi-/pakastinalueen kuvake. Näyttää, mikä laitteen osasto on valittu.
- b. Jääkaapin lämpötilatasot. Näyttää, mikä on valittu lämpötila.
- c. Super Cool -kuvake, näyttää, onko toiminto aktivoitu.
- d. Pakastimen lämpötilatasot. Näyttää, mikä on pakastimen valittu lämpötila.
- e. Super Freeze -kuvake. Näyttää, onko Super Freeze -toiminto aktivoitu.
- f. Eco-tilan kuvake. Osoittaa onko eco-tila aktivoitu.
- g. Loma-toiminnon kuvake. Näyttää, onko lomatoiminto aktivoitu.
- h. Wi-Fi-kuvake. Osoittaa, toimiiko langaton verkko ja onko laite kytketty.
- i. Mukautetun lämpötilan kuvake. Näyttää, onko lämpötila valittu sovelluksessa.

## Käyttö

- Kytke laite pistorasiaan ja se käynnistyy automaattisesti pitkällä akustisella palautteellaan (1 s) Kaikki LEDit syttyvät (1 s), sitten jääkaapin lämpötilan LED ja pakastin LED syttyvät kiinteästi.
- Lämpötila asetetaan automaattisesti 4 °C:een jääkaapissa ja -18 °C:een pakastimessa.  
**HUOM.** odota vähintään 2/3 tuntia ennen ruoan laittamista laitteeseen, jotta jääkaapin sisälämpötila voidaan varmistaa.
- Jos virta katkeaa, viimeksi asetettu jäädytystaso palautuu käyttöön.
- Palauta oletusasetus pitämällä ovikytkintä painettuna jääkaapin sisällä ja painamalla samanaikaisesti ON/OFF-painiketta 5 sekunnin ajan.
- Normaaleissa käyttöolosuhteissa (keväisin ja syksyllä) on suositeltavaa asettaa lämpötilaksi 4 °C. Kesällä, ympäristön lämpötilan ollessa korkea, on suositeltavaa asettaa lämpötilaksi 6~8 °C. Näin voidaan taata jääkaapin ja pakastimen lämpötilat ja vähentää jääkaapin jatkuvaa toiminta-aikaa. Talviaikaan, ympäristön lämpötilan ollessa alhainen, on suositeltavaa asettaa lämpötilaksi 3~4 °C jääkaapin jatkuvan käynnistymisen ja pysähtymisen välttämiseksi.

## Näytön valmiustilan hallinta

- Jos ovi on suljettu -> näyttö on valmiustilassa (kaikki merkkivalot sammuneina)
- Jos ovi on auki -> jääkaapin nykyisen lämpötilan merkkivalo ja pakastimen lämpötilan merkkivalo palavat (kiinteästi).
- ECO-tilan merkkivalo + Holiday-tilan merkkivalo palavat (kiinteästi), jos nämä tilat on valittu aiemmin.
- Näytöllä voi nyt tehdä asetuksia (sitä ei tarvitse aktivoida koskettamalla).

## Tilat

Tilapainiketta käytetään vaihtamaan eri tilojen välillä.

Vastaava merkkivalo syttyy, ja valinta vahvistetaan välittömästi (ei vilkkumista).

Lyhyt äänipalaute vahvistaa valinnan.

## Jääkaapin lämpötilan asetus

Kun näyttöpaneeli on päällä, valitse "Jääkaapin lämpötilan asetus" painamalla MODE-näppäintä. Jääkaappialueen merkkivalo syttyy.

Paina TEMP-näppäintä, kunnes haluttu lämpötila on asetettu.

Lämpötila-arvo muuttuu seuraavasti: 8 °C -> 6 °C -> 4 °C -> 3 °C -> 2 °C -> Super cooling -> 8 °C...

Vastaava merkkivalo syttyy, ja valinta vahvistetaan välittömästi (ei vilkkumista).

Lyhyt äänipalaute vahvistaa valinnan.

## Pakastimen lämpötilan asetus

Kun näyttöpaneeli on päällä, valitse "Pakastimen lämpötilan asetus" painamalla MODE-näppäintä. Pakastinalueen merkkivalo syttyy.

Paina TEMP-näppäintä, kunnes haluttu lämpötila on asetettu.

Lämpötila-arvo muuttuu seuraavasti: -16 °C -> -18 °C -> -20 °C -> -22 °C -> -24 °C -> Super freezing -> -16 °C...

Vastaava merkkivalo syttyy, ja valinta vahvistetaan välittömästi (ei vilkkumista).

Lyhyt äänipalaute vahvistaa valinnan.

## Huomaa:

Siirtyminen jääkaappialueelta pakastinalueelle ja päinvastoin tapahtuu välittömästi, kun käyttäjä painaa MODE-näppäintä, ja valinta on välittömästi voimassa

Lämpötilamerkkivalot eivät vilku

## Mukautettu lämpötila

Jääkaappiin voidaan valita lämpötila väliltä 2–8 °C ja pakastimeen väliltä -16 – -24 °C. Kun lämpötila on valittu sovelluksesta, mukautetun lämpötilan kuvake syttyy, ja kaikki kyseisen osaston lämpötilamerkkivalot sammuvat (eli jos jääkaapin lämpötila on valittu sovelluksesta, lämpötilamerkkivalot 2–8 °C sammuvat).

Jos pakastimen lämpötila on valittu sovelluksesta, merkkivalot -16 ° – -24 °C sammuvat). Jos vain yhdellä alueella (pakastin tai jääkaappi) on mukautettu lämpötila, toisen alueen lämpötilavalintaa ei muuteta, ja kyseisen alueen valitun lämpötilan merkkivalo palaa. Pitkä äänimerkki (1 sekunti) vahvistaa, että yhteys on muodostettu.

## Super Cool -toiminto

Super Cool -toiminto on suositeltavaa kytkeä päälle, jos halutaan varastoida suuri määrä ruokaa (esim. viikko-ostosten jälkeen). Super-Cool-toiminto nopeuttaa tuoreen ruoan jäähdytystä ja suojaa jääkaapissa jo olevia ruokia ei-toivotulta lämpenemiseltä. Kun toiminto on aktivoitu, jääkaapin lämpötilaksi asetetaan automaattisesti 2 °C.

Super Cool -toiminnon käyttö:

- Toiminto voidaan aktivoida painamalla TEMP-painiketta pitkään, kun haluat valita jääkaappitilan, ja painamalla TEMP-painiketta nopeasti, kunnes Super Cool -kuvakkeen merkkivalo syttyy. Se voidaan myös ottaa käyttöön sovelluksesta. Kun toiminto on aktivoitu, Super Cool -merkkivalo palaa aina.
- Voit poistua Super Cool -toiminnosta painamalla TEMP-painiketta tai kytkemällä sen pois käytöstä sovelluksesta.
- Super Cool -toiminto päättyy automaattisesti, kun toiminto on ollut päällä yli 12 tuntia.
- Kun Super Cool päättyy, ohjauspaneelin vastaava kuvake sammuu ja aiemmin asetettu jäähdytystaso palautuu käyttöön.

**Huomaa:** Super Cool- ja Super Freeze -toimintoa ei voi aktivoida samanaikaisesti.

## Super Freeze -toiminto

Super Freeze -toiminto nopeuttaa tuoreen ruoan jäädytystä ja suojaa laitteessa jo olevia ruokia ei-toivotulta lämpenemiseltä. Jos jäädytettävänä on suuri määrä ruokaa, on suositeltavaa asettaa Super-Freeze-toiminto päälle 24 tuntia ennen käyttöä. Kun toiminto on aktivoitu, lämpötilaksi asetetaan automaattisesti -22 °C.

Super Freeze -toiminnon käyttö:

- Toiminto voidaan käynnistää painamalla pitkään TEMP-painiketta, kun haluat valita pakastinosaston, ja painamalla sitten nopeasti TEMP-painiketta, kunnes Super Freeze -merkkivalo syttyy. Se voidaan myös ottaa käyttöön sovelluksesta. Kun toiminto on aktivoitu, Super Freeze -merkkivalo palaa aina.
- Voit poistua Super Freeze -toiminnosta painamalla TEMP-painiketta tai kytkemällä sen pois käytöstä sovelluksesta.
- Super Freeze -toiminto päättyy automaattisesti, kun se on ollut päällä yli 50 tuntia.
- Kun Super Freeze päättyy, ohjauspaneelin vastaava kuvake sammuu ja aiemmin asetettu jäädytystaso palautuu käyttöön.

**Huomaa:** Super Cool- ja Super Freeze -toimintoa ei voi aktivoida samanaikaisesti.

## Eco-tila

Eco-tila voidaan ottaa käyttöön laitteen suorituskyvyn optimoimiseksi ja ruuan parhaan varastoinnin varmistamiseksi. Eco-tila asettaa lämpötilan automaattisesti 4 °C:een jääkaapissa ja -18 °C:een pakastimessa.

Eco-tilan käyttö:

- Toiminto voidaan aktivoida ohjauspaneelista painamalla Mode-painiketta, Eco-tilan kuvake syttyy (kuittaussignaali vahvistaa valinnan). Toiminto voidaan myös valita sovelluksesta. Kun toiminto on aktivoitu, Eco-tilan kuvake on aina PÄÄLLÄ.
- Voit poistua Eco-tilasta kytkemällä sen pois käytöstä sovelluksesta tai valitsemalla toisen toiminnon ohjauspaneelista.
- Kun Eco-tila päättyy, ohjauspaneelin vastaava kuvake sammuu ja aiemmin asetettu jäädytystaso palautuu käyttöön.

## Loma-toiminto

Loma-toiminnolla voidaan vähentää laitteen energiankulutusta, kun laitetta ei käytetä säännöllisesti. Kun toiminto on päällä, LED-valot sammuvat (vaikka ovi olisi auki) ja jääkaappi toimii matalan virrankulutuksen tilassa. Pakastin jatkaa toimintaansa normaalisti.

Loma-toiminnon käyttö:

- Toiminto voidaan aktivoida ohjauspaneelista painikkeilla Mode-painiketta, kunnes Loma-kuvake syttyy (kuittaussignaali vahvistaa valinnan). Toiminto voidaan myös valita sovelluksesta. Kun toiminto on aktivoitu, Loma-kuvake on aina PÄÄLLÄ.
- Voit poistua Loma-toiminnosta kytkemällä sen pois käytöstä sovelluksesta tai valitsemalla toisen toiminnon ohjauspaneelista.
- Kun Loma-toiminto päättyy, ohjauspaneelin vastaava kuvake sammuu ja aiemmin asetettu jäähdystystaso palautuu käyttöön.

## Sulatus

Jääkaappi- ja pakastinosasto sulatetaan automaattisesti, manuaalinen sulatus ei ole tarpeen.

## Esittelytila

Voit siirtyä esittelytilaan, kun näyttö on lukitsematon, pitämällä Wi-Fi-painiketta (B) painettuna ja painamalla MODE-painiketta (C) 5 kertaa 5 sekunnin kuluessa. Voit poistua esittelytilasta suorittamalla samat toiminnot tai katkaisemalla jääkaapista virta.

## Virhekoodit

- Tiedonsiirtovirhe

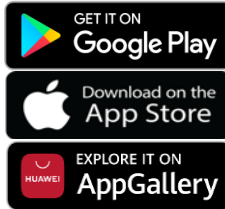
8 °C – 6 °C – 4 °C – 3 °C – 2 °C LED-valot palavat vaihteittain, joten pääohjauspaneelin ja näyttötaulun välillä on ollut tiedonsiirtovirhe. Ota yhteyttä tekniseen tukeen ongelman ratkaisemiseksi

## WI-FI KÄYTTÖ

### Sovelluksen sisäinen laiteparinmuodostus

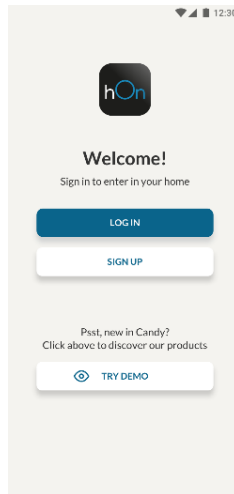
#### Vaihe 1

- Lataa hOn-sovellus seuraavista



#### Vaihe 2

- Luo tili hOn-sovelluksessa tai kirjaudu sisään, jos sinulla on jo tili



#### Vaihe 3

- Noudata hOn-sovelluksen ohjeita laiteparin muodostamiseksi



## Wi-Fi käyttö

Kun näyttöpaneeli on päällä, Wi-Fi-painikkeen lyhyt painallus käynnistää synkronoinnin, ja Wi-Fi-merkkivalo alkaa vilkkua. Viimeistele yhteydenmuodostus noudattamalla sovelluksen ohjeita.

Pitkä äänimerkki (1 sekunti) vahvistaa, että yhteys on muodostettu, ja merkkivalo jää palamaan.

Jos Wi-Fi-yhteyttä ei ole vielä määritetty jääkaapin käynnistyessä, se siirtyy automaattisesti konfigurointitilaan ja säilyttää tämän tilan 30 minuutin ajan.

Konfigurointitilan käyttö:

- Paina Wi-Fi-painiketta 2 sekuntia. Jääkaappi siirtyy Wi-Fi-konfigurointitilaan ja antaa äänimerkin. Wi-Fi-kuvake alkaa vilkkua.
- Määritä Wi-Fi noudattamalla sovelluksen ohjeita (katso edellä).
- Kun Wi-Fi on määritetty ja yhteys muodostettu, Wi-Fi-kuvake on päällä ja palaa tasaisesti.
- Wi-Fi poistuu automaattisesti konfigurointitilasta, kun mitään toimia ei ole tehty 30 minuutin kuluessa.
- Jos Wi-Fi on jo määritetty, se yhdistyy automaattisesti uudelleen kokoonpanotietojen mukaisesti.

Voit nollata Wi-Fi-verkon painamalla Wi-Fi—Mode painiketta 2 sekunnin ajan. Wi-Fi-verkon asetukset nollautuvat ja kuuluu äänimerkki. Tämän jälkeen Wi-Fi siirtyy automaattisesti konfigurointitilaan (Wi-Fi-kuvake alkaa vilkkua uudelleen).

Voit kytkeä Wi-Fi-verkon pois päältä painamalla 3s:n Wi-Fi-painiketta.

## Radiomoduuli - Tekniset tiedot

Taajuustaaajuus(OFR)	2400 MHz-2843.5 MHz
Kanavien taajuudet	2412...2472 MHz(askelkoko 5 MHz)
Suurin teho(EIRP)	100 mW

Radiolaitetyyppi on direktiivin mukainen 2014/53/EU.

## VIANETSINTÄ

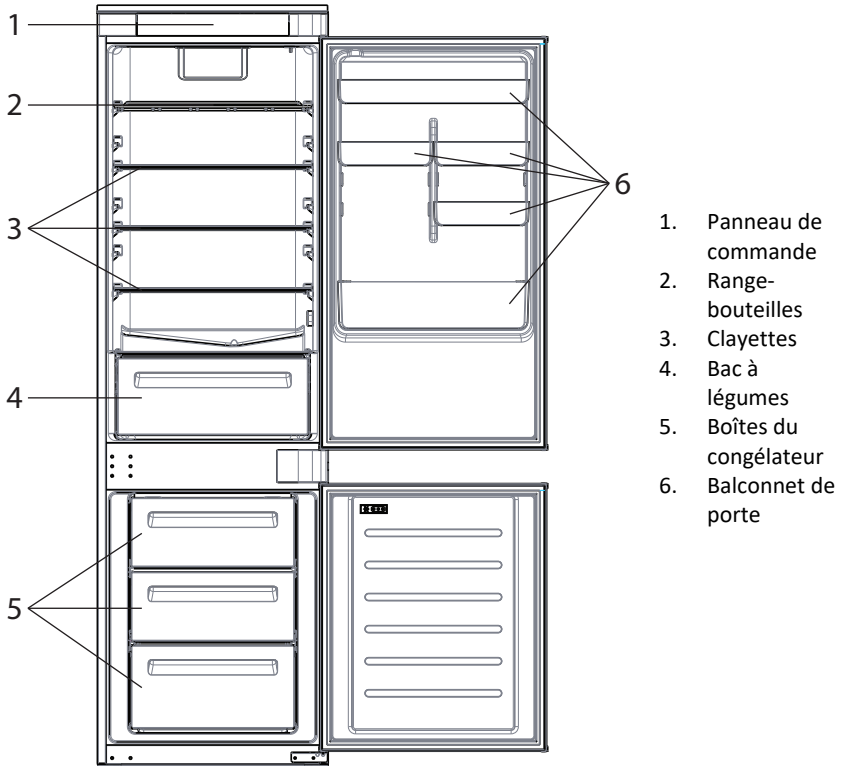
Sisäpolttimo ei syty.	• Ei sähköä.	• Virtajohtoa ei ole kytketty kunnolla. • Tarkista, onko laite kytketty pois päältä (katso Lämpötilan säätö). • Tarkista, että pistorasia toimii oikein (esim. toisella sähkölaitteella).
	• Holiday-tila on aktivoitu.	• Poista Holiday-tila.
Jääkaapin ja/tai pakastimen sisälämpötila ei ole tarpeeksi kylmä.	• Ovet eivät ole kiinni.	• Tarkista, että ovi ja tiivisteet sulkeutuvat kunnolla.
	• Ovia avataan usein.	• Vältä ovien tarpeetonta avaamista jonkin aikaa.
	• Virheellinen lämpötila-asetus.	• Tarkista lämpötila-asetus ja, jos mahdollista, aseta alempi lämpötila (katso Lämpötilan säätö).
	• Jääkaappi ja/tai pakastin ovat liian täynnä.	• Odota, että jääkaapin/pakastimen lämpötila vakiintuu. • Vältä täyttämästä jääkaappia ja pakastinta liian.
	• Ympäröivä lämpötila on liian alhainen.	• Siirrä laite lämpimämpään paikkaan tai lämmitä nykyinen huone.
	• Jääkaappiin tai pakastimeen on laitettu lämpimiä tuotteita.	• Anna tavaroiden aina jäähtyä ennen niiden varastointia.
Jääkaapissa oleva ruoka jäätyy.	• Virheellinen lämpötila-asetus.	• Tarkista lämpötila-asetus ja nosta lämpötilaa, jos mahdollista.
	• Ruoka koskettaa takaseinää.	• Älä anna ruoan koskettaa jääkaapin takaseinää.
Jääkaappiosaston pohja on märkä tai siinä on vesipisaroiia.	• Tyhjennysletku voi olla tukossa.	• Puhdista tyhjennysletku tikulla tai vastaavalla esineellä, jotta vesi valuu pois.
Vesipisaroiden tai huurteen esiintyminen jääkaapin takaseinällä.	• Jääkaapin takaseinälle muodostuu toiminnosta riippuen käytön aikana vesipisaroiia tai huurretta.	• Se ei ole vika.
	• Jääkaappiin tai pakastimeen on laitettu lämpimiä tuotteita.	• Anna tavaroiden aina jäähtyä ennen niiden varastointia.
	• Elintarvikkeita tai nesteitä ei säilytetä suljetuissa astioissa.	• Peitä aina ruoka ja nesteet.
	• Ovet eivät ole kiinni.	• Tarkista, että ovi ja tiivisteet sulkeutuvat kunnolla.
	• Ovia avataan usein.	• Vältä ovien tarpeetonta avaamista jonkin aikaa.
Vihanneslaatikossa on vettä.	• Ilma ei kierrä riittävästi.	• Varmista, että laitteesi ei ole liian täynnä.
	• Vihanneksissa ja hedelmissä on liikaa kosteutta.	• Kääri hedelmät ja vihannokset muovimateriaaleihin, esim. muovikelmuun ja pusseihin tai käytä astioita.
Moottori käy jatkuvasti.	• Ovet eivät ole kiinni.	• Varmista, että ovet on suljettu ja tarkista, että tiivisteet sulkeutuvat kunnolla.
	• Ovia avataan usein.	• Vältä ovien tarpeetonta avaamista jonkin aikaa.
	• Ympäristön lämpötila on erittäin korkea.	• Varmista, että ympäristön lämpötila on laitteen teknisissä tiedoissa määritellyllä alueella. • Aseta näyttöruutu/termostaatti lämpimämpään lämpötilaan.
	• Laite on ollut pois päältä (ei virtaa) jonkin aikaa.	• Laitteen täydellinen viilentyminen kestää yleensä 8–12 tuntia.
Pakastettu ruoka sulaa.	• Ympäröivä lämpötila on liian alhainen.	• Siirrä laite lämpimämpään paikkaan tai lämmitä nykyinen huone.
	• Pakastimen ovi ei ole kiinni.	• Varmista, että ovi on suljettu ja että tiiviste toimii kunnolla.
Jääkaapin oven hälytys.	• Jääkaapin oven hälytys (äänimerkki) aktivoituu, kun ovi jätetään auki yli 3 minuutiksi.	• Vältä jättämästä ovea tarpeettomasti auki. Äänimerkki loppuu, kun ovi suljetaan.
Laitteesta kuuluu ääniä, kuten kurinaa, surinaa, naksahduksia ja narinaa.	• Tämä ei tarkoita moottorin ongelmia. Moottori on käynnissä (esim. jäähdytysyksikkö, tuuletin). Kylmäaine virtaa putkiin. Moottori, kytkimet ja magneettiventtiilit kytkeytyy päälle tai pois päältä.	• Toimenpiteitä ei tarvita.
	• Laite ei sijaitse tasaisella lattialla.	• Säädä jalat jotta laite on vaakatasossa.
	• Laite koskettaa sen ympärillä olevaa esinettä.	• Poista esineet laitteen ympäriltä.
Laite ei jäähy, lämpötilan ja valaistuksen merkkivalot ovat päällä.	• Demotila on aktivoitu.	• Deaktivoi DEMO-tila.
Pakastinosastossa on paljon jäätä ja huurretta.	• Tuotteita ei ollut pakattu asianmukaisesti.	• Pakkaa tavart aina huolellisesti.
	• Laitteen laatikko tai ovi ei ole tiiviisti kiinni.	• Sulje ovi/laatikko.
	• Ovea/laatikkoa on avattu liian usein tai liian pitkään.	• Älä avaa ovea/laatikkoa liian usein.
	• Oven/laatikon tiiviste on likainen, kulunut, haljennut tai yhteensopimaton.	• Puhdista oven/laatikon tiiviste tai vaihda se uuteen.
	• Jokin sisäpuolella estää ovea/laatikkoa sulkeutumasta kunnolla.	• Aseta hyllyt, ovitelineet tai sisäiset laatikot uudelleen, jotta ovi/laatikko sulkeutuu.
Laitteen sivut ovat lämpimät.	• Tämä on normaalia.	

# Sommaire

---

DESCRIPTION DU PRODUIT.....	2
UTILISATION .....	3
Utilisation .....	3
Gestion du mode Veille de l'écran.....	4
Modes .....	4
Réglage de la température du réfrigérateur .....	4
Réglage de la température du congélateur .....	4
Température personnalisée .....	5
Fonction Super refroidissement .....	5
Fonction Super congélation .....	6
Mode Éco .....	6
Fonction Vacances .....	7
Dégivrage .....	7
Mode Démo .....	7
Codes d'erreur.....	7
Procédure d'appairage dans l'application .....	8
Utilisation du Wi-Fi.....	9
DÉPANNAGE.....	10

## DESCRIPTION DU PRODUIT



\* La configuration la moins énergivore nécessite que les tiroirs, les boîtes de rangement et les clayettes soient positionnés dans le produit et que le ventilateur soit éteint, veuillez consulter les photos ci-dessus.

\*\* Les images ci-dessus sont uniquement à titre de référence. La configuration réelle dépend du produit physique ou de l'énoncé du distributeur.

### Espace requis

La porte de l'appareil doit pouvoir s'ouvrir pleinement comme illustré. Prévoyez suffisamment de place pour une ouverture pratique des portes et des tiroirs.

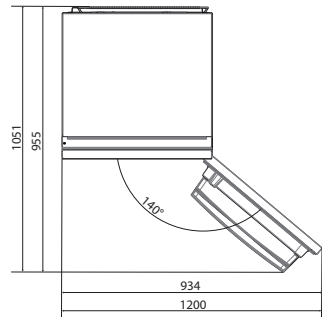
Gardez une distance d'au moins 50 mm entre les parois latérales du produit et les pièces adjacentes.

540 mm Armoire : Largeur : 934 mm

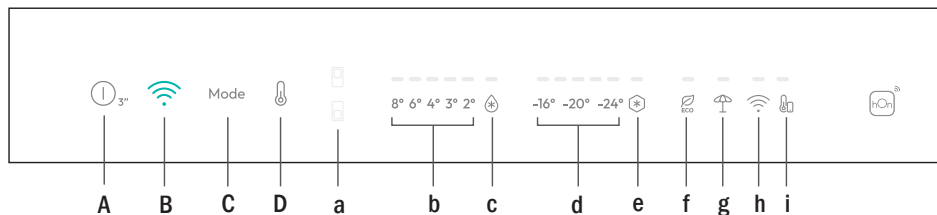
Profondeur : 955 mm

700 mm Armoire : Largeur : 1200 mm

Profondeur : 1051 mm



## UTILISATION



- A. Touche Marche/Arrêt, appuyer pendant 3 secondes. L'appareil s'allume et émet un long signal sonore (1 seconde).
  - B. Touche Wi-Fi, utilisé pour connecter l'appareil
  - C. Touche Mode, utilisé pour choisir entre Réfrigérateur, Congélateur, Éco et Holiday
  - D. Touche TEMP, utilisé pour sélectionner entre les niveaux de température (également Super Cool et Super Freeze)
- a. L'icône de zone réfrigérateur/congélateur indique quel compartiment de l'appareil est sélectionné
  - b. Niveau3 de température du réfrigérateur, indiquant quelle est la température sélectionnée
  - c. L'icône Super refroidissement indique si la fonction est activée
  - d. Niveau3 de température du congélateur, indiquant quelle est la température sélectionnée dans le congélateur
  - e. L'icône Super congélation indique si la fonction Super congélation est activée
  - f. L'icône du mode Éco indique si le mode Éco est activé
  - g. L'icône de la fonction Vacances indique si la fonction Vacances est activée
  - h. L'icône Wi-Fi indique si le Wi-Fi fonctionne et si l'appareil est connecté
  - i. Icône de température personnalisée, indiquant si la température a été sélectionnée par l'application

### Utilisation

- Branchez l'appareil et il s'allume automatiquement avec un long retour acoustique (1 sec). Toutes les LED s'allument (1 sec), puis la LED de température du réfrigérateur et la LED du congélateur s'allument fixes.
- La température sera automatiquement réglée à 4 °C dans le réfrigérateur et à -18 °C dans le congélateur.  
**REMARQUE** : attendez au moins 2/3 heures avant de mettre des aliments dans l'appareil afin de garantir la bonne température à l'intérieur du réfrigérateur.
- En cas de coupure de courant, le dernier niveau de refroidissement réglé sera rétabli.
- Pour rétablir le réglage par défaut, maintenez l'interrupteur de porte enfoncé à l'intérieur du réfrigérateur et appuyez simultanément sur la touche Marche/Arrêt pendant 5 secondes.
- Dans des conditions normales de fonctionnement (au printemps et en automne), il est recommandé de régler la température à 4 °C. En été lorsque la température ambiante est élevée, il est recommandé de régler la température à 6~8 °C, afin de garantir les températures du réfrigérateur et du congélateur et de réduire le temps de fonctionnement continu du réfrigérateur. En hiver lorsque la température ambiante est basse, il est recommandé de régler la température à 3~4 °C pour éviter le démarrage/arrêt fréquent du réfrigérateur.

## **Gestion du mode Veille de l'écran**

- Si la porte est fermée -> écran en veille (tous les voyants sont éteints)
- Si la porte est ouverte -> les voyants de la température actuelle du réfrigérateur et du congélateur sont allumés (fixes).
- Le voyant du mode ECO et celui du mode Holiday sont allumés (fixes) s'ils ont été sélectionnés précédemment.
- L'écran est prêt à être utilisé (il n'est pas nécessaire de l'activer par le toucher).

## **Modes**

La touche Mode est utilisée pour passer d'un mode à l'autre :

Réglage de la température du réfrigérateur → Réglage de la température du congélateur → Mode ECO → Mode Holiday → Réglage de la température du réfrigérateur...

Le voyant correspondant s'allume et la sélection est immédiatement confirmée (pas de clignotement).

Un bref signal sonore confirme la sélection.

## **Réglage de la température du réfrigérateur**

Lorsque l'écran est allumé, sélectionnez le « réglage de la température du réfrigérateur » en appuyant sur la touche MODE. Le voyant de la zone du réfrigérateur s'allume.

Appuyez sur la touche « TEMP » jusqu'à ce que la température souhaitée soit réglée.

La valeur de la température change comme suit : 8 °C -> 6 °C -> 4 °C -> 3 °C -> 2 °C -> Super Cool -> 8 °C...

Le voyant correspondant s'allume et la sélection est immédiatement confirmée (pas de clignotement).

Un bref signal sonore confirme la sélection.

## **Réglage de la température du congélateur**

Lorsque l'écran est allumé, sélectionnez le « réglage de la température du congélateur » en appuyant sur la touche MODE. Le voyant de la zone de congélation s'allume.

Appuyez sur la touche « TEMP » jusqu'à ce que la température souhaitée soit réglée.

La valeur de la température change comme suit : -16 °C -> -18 °C -> -20 °C -> -22 °C -> -24 °C -> Super Freeze ->

-16 °C...

Le voyant correspondant s'allume et la sélection est immédiatement confirmée (pas de clignotement).

Un bref signal sonore confirme la sélection.

### **À noter :**

Le passage de la zone réfrigérateur à la zone congélateur et vice versa est immédiat lorsque l'utilisateur appuie sur la touche MODE, et la sélection est immédiatement activée  
Les voyants de température ne clignotent pas

### **Température personnalisée**

Il est possible de sélectionner une température comprise entre 2 °C et 8 °C dans le réfrigérateur et comprise entre -16 °C et -24 °C dans le congélateur. Lorsque la température est sélectionnée via l'application, l'icône de température personnalisée s'allume, tandis que tous les voyants de température du compartiment concerné sont éteints (par ex. si la température du réfrigérateur est sélectionnée via l'application, les voyants de 2 °C à 8 °C sont éteints).

Si la température du congélateur est sélectionnée depuis l'application, les voyants de -16 °C à -24 °C sont éteints.).

Si seule une seule zone (congélateur ou réfrigérateur) a la température personnalisée, la sélection de la température de l'autre zone n'est pas modifiée et le voyant de la température sélectionnée de cette zone reste allumé.

Un long signal sonore (1 seconde) confirme que la connexion est établie.

### **Fonction Super refroidissement**

Il est suggéré d'allumer la fonction Super refroidissement si une grande quantité d'aliments doit être conservée (par exemple après l'achat). La fonction Super refroidissement accélère le refroidissement des aliments frais et évite un réchauffement indésirable des produits déjà entreposés. Lorsque la fonction est activée, la température du réfrigérateur est automatiquement réglée à 2 °C.

Comment utiliser la fonction Super refroidissement :

- La fonction peut être activée en appuyant longuement sur la touche TEMP pour sélectionner le compartiment du réfrigérateur, puis en appuyant rapidement sur la touche TEMP jusqu'à ce que l'icône Super Refroidissement s'allume ou elle peut être activée depuis l'application. Lorsque la fonction est activée, la LED Super refroidissement est toujours allumée.
- Pour quitter la fonction Super refroidissement, appuyez sur la touche TEMP ou désactivez-la de l'application.
- La fonction Super refroidissement se termine automatiquement lorsque la fonction a duré plus de 12 heures.
- Lorsque le Super refroidissement se termine, l'icône du panneau de commande s'éteint et le niveau de refroidissement configuré précédemment est rétabli.

**Remarque :** Les fonctions Super refroidissement et Super congélation ne peuvent pas être activées simultanément.

## Fonction Super congélation

La fonction Super congélation accélère la congélation des aliments frais et évite un réchauffement indésirable des produits déjà entreposés. Si une grande quantité d'aliments doit être congelée, il est recommandé de régler la fonction Super congélation 24 h avant l'utilisation. Lorsque la fonction est activée, la température est automatiquement réglée à -22 °C.

Comment utiliser la fonction Super congélation :

- La fonction peut être lancée en appuyant longuement sur la touche TEMP pour sélectionner le compartiment congélateur, puis en appuyant rapidement sur la touche TEMP jusqu'à ce que la LED de l'icône Super congélation soit allumée, ou elle peut être activée à partir de l'application. Lorsque la fonction est activée, la LED Super congélation est toujours allumée.
- Pour quitter la fonction Super congélation, appuyez sur la touche TEMP ou désactivez-la de l'application.
- La fonction Super congélation se termine automatiquement lorsque la fonction a duré plus de 50 heures.
- Lorsque la Super congélation se termine, l'icône du panneau de commande s'éteint et le niveau de congélation configuré précédemment est rétabli.

**Remarque :** Les fonctions Super refroidissement et Super congélation ne peuvent pas être activées simultanément.

## Mode Éco

Le mode Éco peut être activé pour optimiser les performances de l'appareil, tout en obtenant la meilleure conservation des aliments. Le mode Éco règle automatiquement la température à 4 °C dans le réfrigérateur et à -18 °C dans le congélateur.

Comment utiliser le mode Éco :

- La fonction peut être activée depuis le panneau de commande en appuyant sur la touche "mode" jusqu'à ce que l'icône du mode Éco s'allume (un signal sonore confirme la sélection) ou en sélectionnant la fonction à partir de l'application. Lorsque la fonction est activée, l'icône du mode Éco est toujours allumée.
- Pour quitter le mode Éco, désactivez-le de l'application ou sélectionnez une autre fonction à partir du panneau de commande.
- Lorsque le mode Éco se termine, l'icône du panneau de commande s'éteint et les niveaux de refroidissement configurés précédemment sont rétablis.



## Fonction Vacances

La fonction Vacances peut être utilisée pour réduire la consommation d'énergie de l'appareil lorsqu'il n'est pas utilisé régulièrement. Lorsque la fonction est activée, les LED sont éteintes (même si la porte est ouverte) et le réfrigérateur fonctionne en mode de faible consommation d'énergie, tandis que le congélateur continue de fonctionner normalement.

Comment utiliser la fonction Vacances :

- La fonction peut être activée depuis le panneau de commande en appuyant sur la touche "mode" jusqu'à ce que l'icône Vacances s'allume (un signal sonore confirme la sélection) ou en sélectionnant la fonction à partir de l'application. Lorsque la fonction est activée, l'icône Vacances est toujours allumée.
- Pour quitter la fonction Vacances, désactivez-la de l'application ou sélectionnez une autre fonction depuis le panneau de commande.
- Lorsque la fonction Vacances se termine, l'icône du panneau de commande s'éteint et les niveaux de refroidissement configurés précédemment sont rétablis.

## Dégivrage

Lorsque la couche de givre présente dans le compartiment du congélateur dépasse de 3 mm, il est recommandé de procéder au dégivrage puisque cela augmente la consommation d'énergie.

- Éteignez l'appareil et débranchez le cordon d'alimentation.
- Retirez les aliments surgelés et placez-les provisoirement dans un endroit frais.
- Laissez la porte du congélateur ouverte et récupérez l'eau au fond du produit.
- Une fois le dégivrage terminé, séchez complètement l'intérieur.
- Rebranchez le cordon d'alimentation et réglez les valeurs souhaitées.
- Attendez un moment et remettez les aliments surgelés à l'intérieur.

## Mode Démo

Pour entrer en mode Démo, l'écran étant déverrouillé, maintenez la touche Wi-Fi (B) enfoncée et appuyez sur la touche MODE (C) 5 fois dans les 5 secondes. Pour quitter le mode Démo, effectuez la même opération ou éteignez le réfrigérateur.

## Codes d'erreur

- Erreur de communication

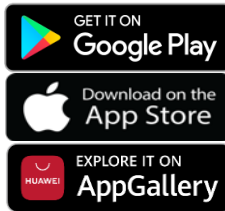
Les LED 8 °C – 6 °C – 4 °C – 3 °C – 2 °C s'allument l'une après l'autre, cela signifie qu'il y a eu une erreur de communication entre le panneau de commande principal et le panneau d'affichage. Veuillez contacter l'assistance technique pour résoudre le problème.

## UTILISATION DU WI-FI

### Procédure d'appairage dans l'application

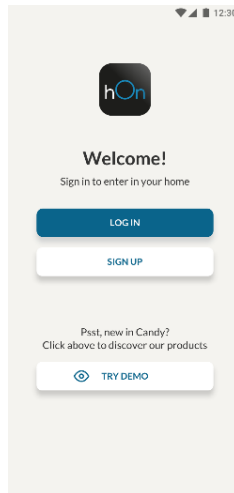
#### Étape 1

- Téléchargez l'application hOn dans les stores



#### Étape 2

- Créez votre compte sur l'application hOn ou connectez-vous si vous possédez déjà un compte



#### Étape 3

- Suivez les instructions d'appairage dans l'application hOn

## Utilisation du Wi-Fi

Lorsque l'écran est allumé, une brève pression sur la touche Wi-Fi lance la synchronisation et le voyant Wi-Fi commence à clignoter. Suivez les instructions de l'application pour établir la connexion.

Un long signal sonore (1 seconde) confirme que la connexion est établie et le voyant reste allumé de manière fixe.

Si le Wi-Fi n'a pas encore été configuré, lorsque le réfrigérateur s'allume, il passe automatiquement en mode configuration et garde ce statut pendant 30 minutes. Pour utiliser le mode configuration :

- Appuyez sur la touche Wi-Fi pendant 2 s, le réfrigérateur passe en mode configuration du Wi-Fi et un signal sonore retentit. L'icône Wi-Fi commence à clignoter.
- Suivez les instructions de l'application pour configurer le Wi-Fi (voir ci-dessus).
- Une fois le Wi-Fi configuré et la connexion établie, l'icône Wi-Fi est allumée et fixe.
- Au bout de 30 minutes sans effectuer aucune opération, le Wi-Fi quittera automatiquement le mode configuration.
- Si le Wi-Fi a déjà été configuré, il se reconnecte automatiquement en fonction des informations de configuration.

Pour réinitialiser le Wi-Fi, appuyez longuement sur la touche Wi-Fi – Mode pendant 2 s, le Wi-Fi est réinitialisé et un signal sonore retentit. Après cela, le Wi-Fi passe automatiquement dans l'état de configuration (l'icône Wi-Fi commence à clignoter à nouveau).

Pour éteindre le Wi-Fi, appuyez sur la touche Wi-Fi pendant 3s.

## Module radio - Données techniques

Taux de fréquence (OFR)	2400 MHz-2843.5 MHz
Fréquences des canaux	2412...2472 MHz (taille de pas 5 MHz)
Puissance maximum(EIRP)	100 mW

Le type d'équipement radio est conforme à la directive 2014/53/EU.



## DÉPANNAGE

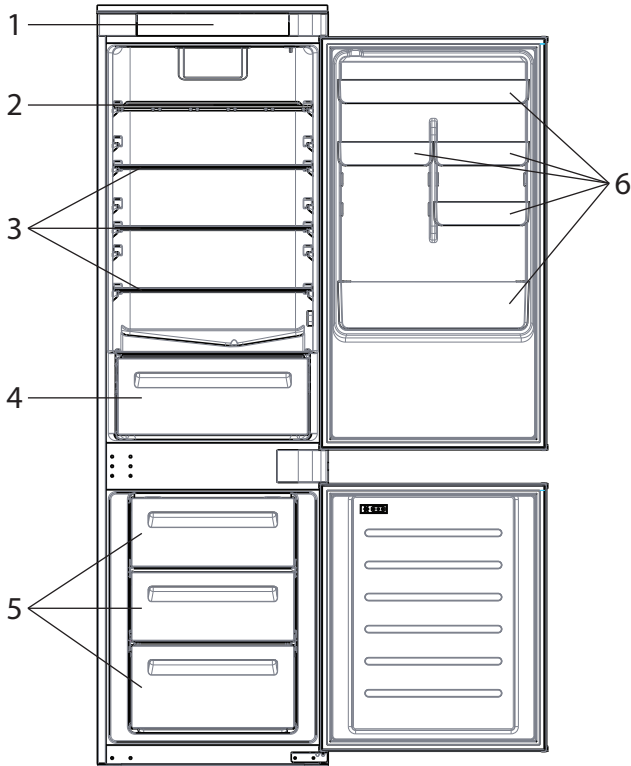
L'ampoule intérieure ne s'allume pas.	● Pas d'électricité.	<ul style="list-style-type: none"> <li>Le câble d'alimentation n'est pas correctement inséré.</li> <li>Vérifiez si l'appareil est éteint (voir Réglage de la température).</li> <li>Vérifiez que la prise de courant fonctionne correctement (p. ex. avec un autre appareil électrique).</li> </ul>
	● Le mode Holiday est activé.	<ul style="list-style-type: none"> <li>Désactivez le mode Holiday.</li> </ul>
La température à l'intérieur du réfrigérateur et/ou du congélateur n'est pas suffisamment froide.	● Les portes ne sont pas fermées.	<ul style="list-style-type: none"> <li>Vérifiez que la porte et les garnitures ferment correctement.</li> </ul>
	● Les portes sont fréquemment ouvertes.	<ul style="list-style-type: none"> <li>Évitez d'ouvrir les portes inutilement pendant un certain temps.</li> </ul>
	● Réglage incorrect de la température.	<ul style="list-style-type: none"> <li>Vérifiez le réglage de la température et, si possible, réglez une température plus basse (voir Réglage de la température).</li> </ul>
	● Le réfrigérateur et/ou le congélateur sont trop pleins.	<ul style="list-style-type: none"> <li>Attendez que la température du réfrigérateur/congélateur se stabilise.</li> <li>Évitez de remplir excessivement le réfrigérateur et le congélateur.</li> </ul>
	● La température ambiante est trop basse.	<ul style="list-style-type: none"> <li>Déplacez l'appareil dans un endroit plus chaud ou chauffez la pièce actuelle.</li> </ul>
	● Des aliments chauds ont été placés à l'intérieur.	<ul style="list-style-type: none"> <li>Attendez toujours que les aliments aient refroidi avant de les placer à l'intérieur.</li> </ul>
Les aliments situés dans le réfrigérateur dégèlent.	● Réglage incorrect de la température.	<ul style="list-style-type: none"> <li>Vérifiez le réglage de la température et, si possible, l'augmenter.</li> </ul>
	● Nourriture en contact avec la paroi arrière.	<ul style="list-style-type: none"> <li>Éloignez les aliments de la paroi arrière du réfrigérateur.</li> </ul>
Le fond du compartiment réfrigérateur est humide ou des gouttelettes d'eau sont présentes.	● Le tuyau d'égouttement peut être bouché.	<ul style="list-style-type: none"> <li>Nettoyez le tuyau d'égouttement à l'aide d'un bâtonnet ou d'un objet similaire pour permettre à l'eau de s'écouler.</li> </ul>
Présence de gouttes d'eau ou de givre sur la paroi arrière du réfrigérateur.	● Selon la fonction, des gouttes d'eau ou du givre se forment sur la paroi arrière du réfrigérateur pendant le fonctionnement.	<ul style="list-style-type: none"> <li>Il ne s'agit pas d'un défaut.</li> </ul>
	● Des aliments chauds ont été placés à l'intérieur.	<ul style="list-style-type: none"> <li>Attendez toujours que les aliments aient refroidi avant de les placer à l'intérieur.</li> </ul>
	● Il y a des récipients alimentaires ou des liquides ouverts.	<ul style="list-style-type: none"> <li>Couvrez toujours les aliments et les liquides.</li> </ul>
	● Les portes ne sont pas fermées.	<ul style="list-style-type: none"> <li>Vérifiez que la porte et les garnitures ferment correctement.</li> </ul>
	● Les portes sont fréquemment ouvertes.	<ul style="list-style-type: none"> <li>Évitez d'ouvrir les portes inutilement pendant un certain temps.</li> </ul>
Présence d'eau dans le bac à légumes.	● Manque de circulation d'air.	<ul style="list-style-type: none"> <li>Vérifiez que votre appareil n'est pas trop plein.</li> </ul>
	● Légumes et fruits trop humides.	<ul style="list-style-type: none"> <li>Enveloppez les fruits et légumes dans des matériaux en plastique, p. ex. du film étirable, des sachets ou des récipients.</li> </ul>
Le moteur fonctionne en permanence.	● Les portes ne sont pas fermées.	<ul style="list-style-type: none"> <li>Assurez-vous que les portes sont fermées et que les joints ferment correctement.</li> </ul>
	● Les portes sont ouvertes fréquemment.	<ul style="list-style-type: none"> <li>Évitez d'ouvrir les portes inutilement pendant un certain temps.</li> </ul>
	● La température ambiante est très élevée.	<ul style="list-style-type: none"> <li>Vérifiez que la température ambiante se situe dans la plage indiquée dans les spécifications de l'étiquette de l'appareil.</li> <li>Régalez l'écran d'affichage/le thermostat sur une température plus chaude.</li> </ul>
	● L'appareil est resté éteint (pas de courant) pendant un certain temps.	<ul style="list-style-type: none"> <li>Il faut normalement 8 à 12 heures pour que l'appareil refroidisse complètement.</li> </ul>
Les aliments surgelés dégèlent.	● La température ambiante est trop basse.	<ul style="list-style-type: none"> <li>Déplacez l'appareil dans un endroit plus chaud ou chauffez la pièce actuelle.</li> </ul>
	● La porte du congélateur n'est pas fermée.	<ul style="list-style-type: none"> <li>Assurez-vous que la porte est fermée et que la garniture est correctement étanche.</li> </ul>
Alarme de porte du réfrigérateur.	● L'alarme de porte du réfrigérateur (bip sonore) se déclenche lorsque la porte reste ouverte pendant plus de 3 minutes.	<ul style="list-style-type: none"> <li>Évitez de laisser la porte ouverte lorsque cela n'est pas nécessaire. Le bip s'arrête lorsque la porte est fermée.</li> </ul>
L'appareil émet des bruits tels que des gargouillis, des bourdonnements, des cliquetis et des grincements.	● Pas de pannes. Un moteur est en marche, p. ex. une unité de réfrigération, un ventilateur. Le réfrigérant s'écoule dans les tuyaux. Le moteur, les interrupteurs et les électrovannes sont activés ou désactivés.	<ul style="list-style-type: none"> <li>Aucune action n'est nécessaire.</li> </ul>
	● L'appareil n'est pas situé sur un sol plan.	<ul style="list-style-type: none"> <li>Régalez les pieds pour mettre l'appareil à niveau.</li> </ul>
	● L'appareil touche un objet situé à proximité.	<ul style="list-style-type: none"> <li>Retirez les objets autour de l'appareil.</li> </ul>
L'appareil ne refroidit pas, les voyants de température et d'éclairage sont allumés.	● Le mode Démo est activé.	<ul style="list-style-type: none"> <li>Désactivez le mode DÉMO.</li> </ul>
Glace dure et givre dans le compartiment congélateur.	● Les aliments n'ont pas été correctement emballés.	<ul style="list-style-type: none"> <li>Il faut toujours bien emballer les aliments.</li> </ul>
	● Une porte/un tiroir de l'appareil n'est pas bien fermé(e).	<ul style="list-style-type: none"> <li>Fermez la porte/le tiroir.</li> </ul>
	● La porte/le tiroir a été ouvert(e) trop fréquemment ou trop longtemps.	<ul style="list-style-type: none"> <li>N'ouvrez pas trop souvent la porte/le tiroir.</li> </ul>
	● Le joint de la porte/du tiroir est sale, usé, fissuré ou ne correspond pas.	<ul style="list-style-type: none"> <li>Nettoyez le joint de la porte/du tiroir ou remplacez-le par un joint neuf.</li> </ul>
	● Quelque chose à l'intérieur empêche la porte/le tiroir de se fermer correctement.	<ul style="list-style-type: none"> <li>Repositionnez les clayettes, les balconnets de porte ou les récipients à l'intérieur pour permettre à la porte/au tiroir de se fermer.</li> </ul>
Les parois de l'appareil sont chaudes.	● Cela est normal.	

# Sažetak

---

OPIS PROIZVODA.....	2
UPORABA .....	3
Uporaba .....	3
Upravljanje načinom prikaza i stanju pripravnosti.....	4
Načini rada.....	4
Podešavanje temperature hladnjaka .....	4
Podešavanje temperature zamrzivača .....	4
Prilagođena temperatura .....	5
Funkcija super hlađenja .....	5
Funkcija super zamrzavanja .....	6
Način rada Eco .....	6
Funkcija praznici.....	7
Odmrzavanje .....	7
Demonstracijski način rada .....	7
Kôd pogreške .....	7
U postupku uparivanja aplikacije.....	8
Uporaba mreže Wi-Fi .....	9
RJEŠAVANJE PROBLEMA.....	10

## OPIS PROIZVODA



1. Upravljačka ploča
2. Stalak za vino
3. Police
4. Ladica za voće i povrće
5. Spremnici za zamrzivač
6. Police na vratima

\* Za konfiguraciju s najvećom uštedom energije treba smjestiti ladice, kutiju za hranu i police unutar proizvoda, a ventilator se treba isključiti. Pogledajte gore navedene slike.

\*\* Gore navedene slike služe samo za referentnu uporabu. Stvarna konfiguracija ovisi o fizičkom proizvodu ili izjavi distributera.

### Prostorni zahtjevi

Mora biti moguć e potpuno otvoriti vrata jedinice u skladu s prikazanim. Odvojite dovoljno mjesta za praktično otvaranje vrata i ladica .

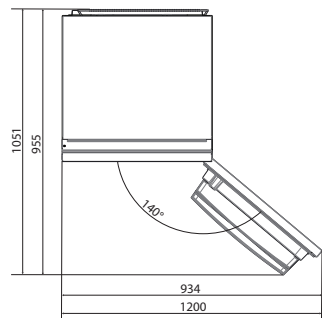
Održavajte razmak od najmanje 50 mm između bočnih stijenki proizvoda i susjednih dijelova.

540 mm Ormarić: Širina: 934 mm

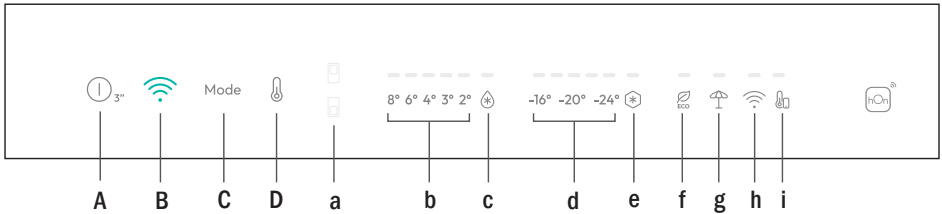
Dubina: 955 mm

700 mm Ormar: Širina: 1200 mm

Dubina: 1051 mm



## UPORABA



- A. Tipka za UKLJUČIVANJE/ISKLUČIVANJE, pritisnite 3 sekunde. Uređaj se uključuje s dugim zvučnim signalom (1 sekunda).
  - B. Tipka za Wi-Fi, koji se koristi za povezivanje uređaja
  - C. Tipka Mode, koji se koristi za odabir između Fridge, Zamrzivač, Eco i Holiday
  - D. Tipka TEMP, koji se koristi za odabir između nivoa temperature (također Super Cool i Super Freeze)
- a. Ikona prostora hladnjaka /zamrzivača pokazuje koji je odjeljak uređaja odabran
  - b. Razine temperature hladnjaka pokazuju koja je odabrana temperatura
  - c. Ikona super hlađenja pokazuje je li se funkcija super hlađenja aktivirala
  - d. Razine temperature zamrzivača pokazuju koja je odabrana temperatura u zamrzivaču
  - e. Ikona super zamrzavanja pokazuje je li se funkcija super zamrzavanja aktivirala
  - f. Ikona načina Eco pokazuje je li aktiviran način rada Eco
  - g. Ikona funkcije praznika pokazuje je li se funkcija praznika aktivirala
  - h. Ikona mreže Wi-Fi pokazuje radi li mreža Wi-Fi i je li se uređaj povezo
  - i. Prilagođena ikona temperature pokazuje je li temperatura odabrana putem aplikacije

### Uporaba

- Uključite uređaj i on se automatski uključuje uz dugi zvučni signal (1 sekunda). Svi LED-ovi se uključuju (1 sekunda), zatim se LED za temperaturu hladnjaka i LED za zamrzivač stalno uključuju.
- Temperatura se automatski postavlja na 4 °C u hladnjaku i -18 °C u zamrzivaču. **NAPOMENA:** pričekajte najmanje 2/3 sata prije stavljanja hrane u uređaj da biste zajamčili temperaturu unutar hladnjaka.
- Ako dođe do gubitka napajanja, vraća se posljednja postavljena razina hlađenja.
- Da biste vratili zadanu postavku, držite pritisnutim prekidač vrata unutar hladnjaka i istovremeno pritisnite tipku za UKLJUČIVANJE/ ISKLJUČIVANJE na 5 sekundi.
- U normalnom radnom stanju (u proljeće i jesen) preporučuje se postavljanje temperature na 4 °C. Ljeti kada je temperatura okoline visoka, preporučuje se postaviti temperaturu na 6 ~ 8 °C da bi se zajamčile temperature hladnjaka i zamrzivača i smanjilo neprekidno vrijeme rada hladnjaka, a zimi kada je temperatura okoline niska, preporučuje se postaviti temperaturu na 3 ~ 4 °C da bi se izbjeglo često pokretanje/zaustavljanje hladnjaka.

## Upravljanje načinom prikaza i stanju pripravnosti

- Ako su vrata zatvorena -> prikaz u stanju pripravnosti (sva LED svjetla su isključena)
- Ako su vrata otvorena -> LED za trenutnu temperaturu hladnjaka i LED za temperaturu zamrzivača bit će uključeni (fiksno).
- LED za ECO način rada + način rada Holiday su uključeni (fiksno) ako su prethodno odabrani.
- Zaslon je spreman za primanje unosa (nije ga potrebno aktivirati dodirom).

### Načini rada

Tipka načina rada koristi se za prebacivanje između različitih načina rada.

Odgovarajuće LED svjetlo se uključuje i odabir se odmah potvrđuje (bez treptanja).

Kratki zvučni signal potvrđuje odabir.

### Podešavanje temperature hladnjaka

Kada je zaslon uključen, odaberite "Podešavanje temperature hladnjaka" pritiskom tipke za način rada MODE. Uključuje se LED svjetlo područja hladnjaka.

Pritišćite tipku "TEMP" dok ne podesite željenu temperaturu.

Vrijednost temperature mijenja se na sljedeći način: 8 °C -> 6 °C -> 4 °C -> 3 °C -> 2 °C -> super hlađenje -> 8 °C... Odgovarajuće LED svjetlo se uključuje i odabir se odmah potvrđuje (bez treptanja).

Kratki zvučni signal potvrđuje odabir.

### Podešavanje temperature zamrzivača

Kada je zaslon uključen, odaberite "podešavanje temperature zamrzivača" pritiskom tipke za način rada MODE. LED svjetlo područja zamrzivača se uključuje.

Pritišćite tipku "TEMP" dok ne podesite željenu temperaturu.

Vrijednost temperature mijenja se na sljedeći način: -16 °C -> -18 °C -> -20 °C -> -22 °C -> -24 °C -> Super zamrzavanje -> -16 °C...

Odgovarajuće LED svjetlo se uključuje i odabir se odmah potvrđuje (bez treptanja).

Kratki zvučni signal potvrđuje odabir.

### Napomena:

Prijelaz s hladnjaka na zamrzivač i obrnuto je trenutačno kada korisnik pritisne tipku načina rada MODE i odabir će odmah biti aktivan

LED signalna svjetla temperature ne trepću



## **Prilagođena temperatura**

U hladnjaku je moguće odabrati temperaturu od 2 °C do 8 °C, a od -16 °C do -24 °C u zamrzivaču. Kada se aplikacijom odabere temperatura, uključit će se ikona prilagođene temperature, dok će se sva LED svjetla zahvaćenog odjeljka isključiti (tj. ako je temperatura hladnjaka odabrana pomoću aplikacije, isključene su LED svjetla od 2 °C do 8 °C).

Ako se pomoću aplikacije odabere temperatura zamrzivača, isključuju su LED svjetla od -16 °C do -24 °C).

Ako samo jedno područje (zamrzivač ili hladnjak) ima prilagođenu temperaturu, odabir temperature drugog područja se ne mijenja i lampica LED odabrane temperature tog područja ostaje uključena.

Dugi zvučni signal (1 s) potvrđuju da je veza dovršena.

## **Funkcija super hlađenja**

Predlaže se da uključite funkciju super hlađenja ako trebate pohraniti veliku količinu hrane (primjerice nakon kupnje). Funkcijom super hlađenja ubrzava se hlađenje svježe hrane i štiti već pohranjena roba od nepoželjnog zagrijavanja. Kada se aktivira funkcija, temperatura hladnjaka automatski se postavlja na 2 °C.

Kako upotrebljavati funkciju super hlađenja:

- Funkcija se može aktivirati dugim pritiskom tipke TEMP za odabir odjeljka hladnjaka, a zatim brzim pritiskom na tipku TEMP dok se ne uključi lampica LED ikone super hlađenja ili se može uključiti putem aplikacije. Kada se funkcija aktivira, lampica LED super hlađenja uvijek je uključena.
- Da biste izašli iz funkcije super hlađenja, pritisnite tipku TEMP ili je isključite putem aplikacije.
- Funkcija super hlađenja automatski završava kada funkcija traje više od 12 sati.
- Kada funkcija super hlađenja završi, isključuje se ikona upravljačke ploče i vraća se prethodno postavljena razina hlađenja.

**Napomena:** Funkcije super hlađenja i super zamrzavanja ne mogu se aktivirati istovremeno.

## **Funkcija super zamrzavanja**

Funkcijom super zamrzavanja ubrzava se zamrzavanje svježih hrane i štiti već pohranjena roba od nepoželjnog zagrijavanja. Ako se velika količina hrane mora zamrznuti, preporuča se postaviti funkciju super zamrzavanja na 24 h prije uporabe. Kada se aktivira funkcija, temperatura se automatski postavlja na -22 °C.

Kako upotrebljavati funkciju super zamrzavanja:

- Funkcija se može aktivirati dugim pritiskom tipke TEMP za odabir odjeljka hladnjaka, a zatim brzim pritiskom na tipku TEMP dok se ne uključi lampica LED ikone super zamrzavanja ili se može uključiti putem aplikacije. Kada se funkcija aktivira, lampica LED super zamrzavanja uvijek je uključena.
- Da biste izašli iz funkcije super zamrzavanja, isključite je putem aplikacije.
- Funkcija super zamrzavanja automatski završava kada funkcija traje više od 50 sati.
- Kada funkcija super zamrzavanja završi, isključuje se ikona upravljačke ploče i vraća se prethodno postavljena razina hlađenja.

**Napomena:** Funkcije super hlađenja i super zamrzavanja ne mogu se aktivirati istovremeno.

## **Način rada Eco**

Način rada Eco može se aktivirati da bi se optimizirala učinkovitost uređaja, dok se dobiva najbolja pohrana hrane. Načinom rada Eco automatski će se postaviti temperatura na 4 °C u hladnjaku i na -18 °C u zamrzivaču.

Kako upotrebljavati način rada Eco:

- Funkcija se može aktivirati s upravljačke ploče pritiskom na tipku „mode” sve dok se ikona načina rada Eco ne aktivira (zvučnim signalom potvrđuje se odabir) ili odabirom funkcije putem aplikacije. Kada se funkcija aktivira, ikona načina rada Eco uvijek je uključena.
- Da biste izašli iz načina rada Eco, isključite ga putem aplikacije ili odaberite drugu funkciju s upravljačke ploče.
- Kada način rada Eco završi, ikona upravljačke ploče isključuje se i vraćaju se prethodno postavljene razine hlađenja.

## Funkcija praznici

Funkcija za praznike može se upotrebljavati za smanjenje potrošnje energije uređaja kada se ne upotrebljava redovito. Kada je funkcija uključena, lampice LED isključuju se (čak i ako su vrata otvorena), hladnjak radi u načinu rada niske potrošnje energije, a zamrzivač nastavlja normalno raditi.

Kako upotrebljavati funkciju praznici:

- Funkcija se može aktivirati s upravljačke ploče pritiskom na tipku „mode” dok se ikona praznika ne aktivira (zvučnim signalom potvrđuje se odabir) ili odabirom funkcije putem aplikacije. Kada se funkcija aktivira, ikona praznika uvijek je uključena.
- Da biste izašli iz funkcije praznika, isključite je putem aplikacije ili odaberite drugu funkciju s upravljačke ploče.
- Kada se funkcija praznika završi, ikona upravljačke ploče je isključena i prethodno postavljene razine hlađenja se vraćaju.

## Odmrzavanje

Kada se slojem mraza prisutnim u odjeljku zamrzivača prelazi 3 mm, preporučuje se nastaviti s odmrzavanjem jer se povećava potrošnja energije.

- Isključite uređaj i odspojite kabel za napajanje.
- Uklonite smrznutu hranu i privremeno je stavite na hladno mjesto.
- Ostavite vrata zamrzivača otvorena i prikupite vodu na dnu proizvoda.
- Kada se odmrzavanje dovrši, temeljito osušite unutrašnjost.
- Ponovno spojite kabel za napajanje i postavite željene vrijednosti.
- Pričekajte trenutak i ponovno uvedite smrznutu hranu.

## Demonstracijski način rada

Da biste ušli u demonstracijski način rada, sa otključavanjem zaslona, držite pritisnutu tipku za Wi-Fi (B) i pritisnite tipku MODE (C) 5 puta u roku od 5 sekundi. Da biste izašli iz demonstracijskoga načina rada, izvedite istu radnju ili isključite hladnjak.

## Kód pogreške

- Pogreška u komunikaciji

Lampice LED za 8 °C – 6 °C – 4 °C – 3 °C – 2 °C uzastopno se upale, što znači da je došlo do komunikacijske pogreške između glavne upravljačke ploče i ploče za prikaz. Obratite se službi za tehničku pomoć da biste riješili problem

## UPORABA MREŽE WI-FI

### U postupku uparivanja aplikacije

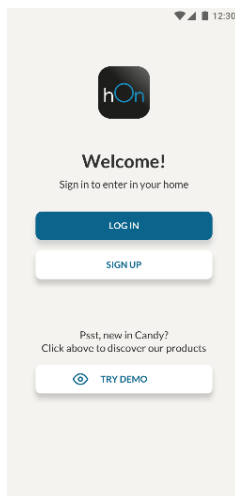
#### 1. korak

- Preuzmite aplikaciju hOn putem trgovina



#### 2. korak

- Izradite svoj račun putem aplikacije hOn ili prijavite se ako već imate račun



#### 3. korak

- Pridržavajte se uputa za uparivanje u aplikaciji hOn

## Uporaba mreže Wi-Fi

Kada je zaslon uključen, kratkim pritiskom tipke Wi-Fi započinje sinkronizacija i LED indikator Wi-Fi-a počinje treptati. Slijedite upute u aplikaciji kako biste dovršili povezivanje.

Dugi zvučni signal (1 s) potvrđuje da je veza uspostavljena i da LED nastavlja stalno svijetliti.

Ako se mreža Wi-Fi još nije konfigurirala kada se hladnjak uključuje, automatski prelazi u način konfiguriranja i ostaje u tom statusu 30 minuta. Za uporabu načina konfiguriranja:

- Pritisnite tipku Wi-Fi na 2s, hladnjak ulazi u konfiguriranje Wi-Fi i odašilje se zvučni signal. Ikona mreže Wi-Fi počinje treperiti.
- Pridržavajte se uputa u aplikaciji za konfiguriranje mreže Wi-Fi (pogledajte gore).
- Nakon što se konfigurira mreža Wi-Fi i uspostavi veza, uključuje se ikona mreže Wi-Fi i fiksno ostaje uključena.
- Nakon 30 minuta bez izvođenja bilo kakve radnje, mrežom Wi-Fi automatski se izlazi iz načina konfiguriranja.
- Ako se mreža Wi-Fi već konfigurirala, automatski se ponovno povezuje u skladu s informacijama o konfiguriranju.

Da biste ponovno postavili mrežu Wi-Fi, dugo pritisnite tipku Wi-Fi – Mode na 2s, mreža se Wi-Fi ponovno postavi i odašilje se zvučni signal. Nakon toga mreža Wi-Fi automatski prelazi u stanje konfiguriranja (ikona mreže Wi-Fi ponovno treperi).

Da biste isključili mrežu Wi-Fi, pritisnite tipku Wi-Fi na 3s.

## Radio-modul - Tehnički podaci

Učestalost (OFR)	2400 MHz-2843.5 MHz
Frekvencije kanala	2412...2472 MHz(veličina koraka 5 MHz)
Maksimalna snaga(EIRP)	100 mW

Vrsta radijske opreme u skladu je s direktivom 2014/53/EU.

## RJEŠAVANJE PROBLEMA

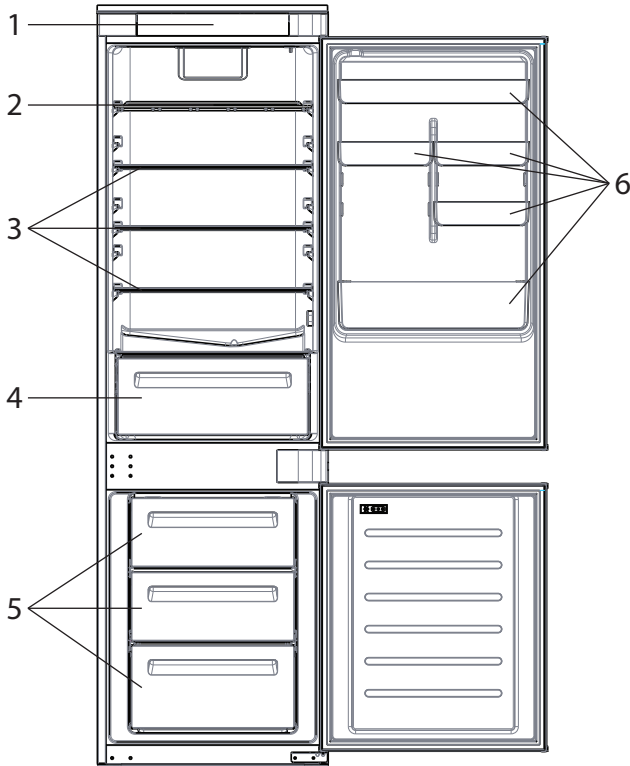
Ne uključuje se žarulja unutarnjeg osvjetljenja.	• Nema struje.	• Kabel napajanja nije propisno ukopčan. • Provjerite da uređaj nije isključen (pogledajte Podešavanje temperature). • Provjerite radi li električna utičnica ispravno (npr. s drugim električnim uređajem).
	• Aktiviran je način rada Holiday.	• Deaktivirajte način rada Holiday.
Unutarnja temperatura hladnjaka i/ili zamrzivača nije dovoljno niska.	• Vrata nisu zatvorena.	• Provjerite zatvaraju li se vrata i brtve pravilno.
	• Vrata se često otvaraju.	• Izbjegavajte nepotrebno otvaranje vrata neko vrijeme.
	• Neodgovarajuća postavka temperature.	• Provjerite postavku temperature i po mogućnosti smanjite je (pogledajte odjeljak Podešavanje temperature).
	• Hladnjak i/ili zamrzivač je/su prepuni.	• Pričekajte da se temperatura hladnjaka/zamrzivača stabilizira. • Izbjegavajte prekomjerno punjenje hladnjaka i zamrzivača.
	• Temperatura okoline je preniska.	• Premjestite uređaj na toplije mjesto ili zagrijte prostoriju.
	• Pohranjene su tople namirnice.	• Uvijek pričekajte da se namirnice ohlade prije nego ih spremite.
Hrana u hladnjaku se zamrzava.	• Neodgovarajuća postavka temperature.	• Provjerite postavku temperature i, ako je moguće, povećajte je.
	• Hrana dodiruje stražnju stijenku.	• Držite hranu dalje od stražnje stijenke hladnjaka.
Donji dio odjeljka hladnjaka je mokar ili su prisutne kapljice vode.	• Odvodno crijevo možda je začepljeno.	• Očistite odvodno crijevo štapom ili sličnim predmetom kako biste omogućili odvod vode.
Kapljice vode ili mraz na stražnjoj stijenci hladnjaka.	• Ovisno o funkciji, kapljice vode ili mraz formiraju se na stražnjoj stijenci hladnjaka tijekom rada.	• To nije znak kvara.
	• Pohranjene su tople namirnice.	• Uvijek pričekajte da se namirnice ohlade prije nego ih spremite.
	• Otvoreni su spremnici hrane ili tekućine.	• Uvijek prikrivite hranu i tekućine.
	• Vrata nisu zatvorena.	• Provjerite zatvaraju li se vrata i brtve pravilno.
	• Vrata se često otvaraju.	• Izbjegavajte nepotrebno otvaranje vrata neko vrijeme.
U ladicu s povrćem ima vode.	• Nema cirkulacije zraka.	• Provjerite da uređaj nije prepun.
	• Povrće i voće sadrži previše vlage.	• Zamotajte voće i povrće u plastične materijale, npr. prijanjajuću foliju, vrećice ili spremnike.
Motor radi neprekidno.	• Vrata nisu zatvorena.	• Provjerite jesu li vrata zatvorena i jesu li brtve propisno zatvorene.
	• Vrata se često otvaraju.	• Izbjegavajte nepotrebno otvaranje vrata neko vrijeme.
	• Temperatura okoline vrlo je visoka.	• Provjerite je li temperatura okoline u rasponu navedenom u specifikacijama na oznaci uređaja. • Postavite zaslon/termostat na višu temperaturu.
	• Uređaj je isključen (nema napajanja) već neko vrijeme.	• Obično je potrebno 8 do 12 sati da se uređaj potpuno ohladi.
Zamrznuta hrana se odmrzava.	• Temperatura okoline je preniska.	• Premjestite uređaj na toplije mjesto ili zagrijte prostoriju.
	• Vrata zamrzivača nisu čvrsto zatvorena.	• Provjerite jesu li vrata zatvorena i ispravnost brtve.
Alarm za vrata hladnjaka.	• Alarm za vrata hladnjaka (zvučni signal) aktivira se uvijek kada su vrata otvorena duže od 3 minute.	• Ne ostavljajte vrata otvorena kada to nije potrebno. Zvučni signal prestaje nakon zatvaranja vrata.
Uređaj proizvodi zvukove kao što su grgljanje, zujanje, klikanje, škripanje.	• Nema kvarova. Motor radi, npr. rashladna jedinica, ventilator. Rashladno sredstvo ulazi u cijevi. Motor, prekidači i elektromagnetski ventili uključeni su ili isključeni.	• Nije potrebno ništa poduzimati.
	• Uređaj se ne nalazi na ravnom tlu.	• Podestite nožice za niveliranje uređaja.
	• Uređaj dodiruje predmet u svojoj okolini.	• Uklonite predmete oko uređaja.
Uređaj se ne hladi, indikatori temperature i osvjetljenja uključeni su.	• Aktiviran je demonstracijski način rada.	• Deaktivirajte demonstracijski način rada.
Mnogo je leda i mraza u odjeljku zamrzivača.	• Namirnice nisu primjereno zapakirane.	• Uvijek dobro zapakirajte namirnice.
	• Ladica ili vrata uređaja nisu dobro zatvorena.	• Zatvorite vrata/ladicu.
	• Vrata/ladica su/je otvarana prečesto ili predugo.	• Ne otvarajte vrata/ladicu prečesto.
	• Brtva vrata/ladice je prljava, istrošena, napuknuta ili nepravilno postavljena.	• Očistite brtvu vrata/ladice ili je zamijenite novom.
Bočne strane uređaja su tople.	• Nešto u unutrašnjosti onemogućuje pravilno zatvaranje vrata/ladice.	• Premjestite police, police na vratima ili unutarnje spremnike kako bi se vrata/ladica mogla zatvoriti.
	• To je normalno.	

# Összegzés

---

TERMÉKLEÍRÁS .....	2
HASZNÁLAT .....	3
Használat .....	3
Kijelző készenléti módja .....	4
Üzem módok .....	4
Hűtő hőmérsékletének beállítása .....	4
Fagyasztó hőmérséklet-beállítás .....	4
Egyéni hőmérséklet .....	5
Super Cool funkció .....	5
Super Freeze funkció .....	6
Eco mód .....	6
Nyaralás funkció .....	7
Leolvasztás .....	7
Demo mód .....	7
Hibakódok .....	7
Párosítási eljárás az alkalmazásban .....	8
Wi-Fi használata .....	9
HIBAELHÁRÍTÁS .....	10

## TERMÉKLEÍRÁS



1. Vezérlőpult
2. Bortartó polc
3. Polcok
4. Tároló
5. Fagyasztó dobozok
6. Ajtópolc

\* Az energiatakarékosság tekintetében leghatékonyabb konfiguráció esetében a fiókoknak, élelmiszerdoboznak és polcoknak a termékben kell lenniük, kikapcsolt ventilátor mellett, ez ügyben tájékozódjon a fenti képekből.

\*\* A fenti képek csak tájékoztató jellegűek. A tényleges konfiguráció a fizikai terméktől vagy a forgalmazó nyilatkozatától függ.

### Helyégény

Az egység ajtajának teljesen ki kell nyílnia az ábra szerint. Biztosítsa n elegendő szabad helyet az ajtó és fiókok kényelmes nyitásához.

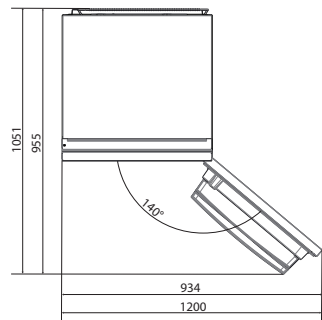
Tartson legalább 50 mm távolságot a termék oldalfalai és a szomszédos részek között.

540 mm Szekrény: Szélesség: 934 mm

Mélység: 955 mm

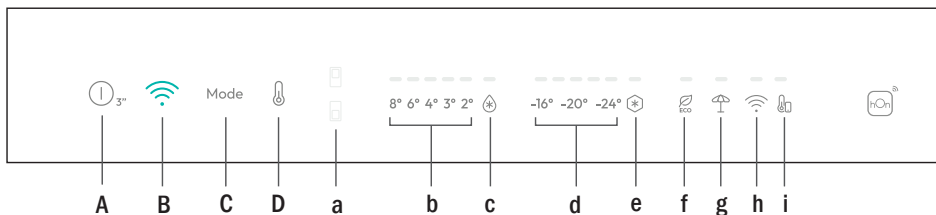
700 mm Szekrény: Szélesség: 1200 mm

Mélység: 1051 mm





# HASZNÁLAT



- A. BE/KI gomb, nyomja 3 másodpercig. A készülék hosszú hangjelzéssel (1 másodperc) kapcsol be.
- B. Wi-Fi gomb, amely a készülék csatlakoztatására szolgál
- C. Mode gomb, amely a Hűtő, Fagyasztó, Eco és Nyaralás közötti választásra szolgál
- D. HŐM gomb, amely a hőmérsékleti szintek közötti választásra szolgál (Super Cool és Super Freeze is)
- a. Hűtőszekrény/fagyasztó terület ikon, amely megmutatja, hogy a készülék melyik rekeszét választotta ki
- b. Hűtőszekrény hőmérsékleti szintek, amelyek visszajelzéssel szolgálnak a kiválasztott hőmérsékletről
- c. Super Cool ikon, amely megerősíti a Super Cool funkció bekapcsolt állapotát
- d. Fagyasztó hőmérsékleti szintek, amelyek visszajelzéssel szolgálnak a fagyasztó esetében kiválasztott hőmérsékletről
- e. Super Freeze ikon, amely megerősíti a Super Freeze funkció bekapcsolt állapotát
- f. Eco mód ikon, amely visszajelzéssel szolgál arra vonatkozóan, hogy bekapcsolta-e az eco módot
- g. Nyaralás funkció ikon, amely visszajelzéssel szolgál arra vonatkozóan, hogy bekapcsolta-e a nyaralás módot
- h. Wi-Fi ikon, amely visszajelzéssel szolgál a Wi-Fi működéséről és a készülék csatlakoztatott állapotáról
- i. Egyéni hőmérséklet ikon, amely megmutatja, hogy a hőmérsékletet az alkalmazás választotta-e ki

## Használat

- Csatlakoztassa a készüléket, és automatikusan bekapcsol egy hosszú akusztikus visszajelzéssel (1 mp) Minden LED bekapcsol (1 mp), majd a Hűtő hőmérséklet LED és a Fagyasztó LED fixen világít.
- A hőmérséklet gyárilag automatikusan 4 °C-ra van beállítva a hűtőben és -18 °C-ra a fagyasztóban.  
**MEGJEGYZÉS:** várjon legalább 2/3 órát, mielőtt ételt tesz a készülékbe, így biztosítva, hogy kialakul a hűtőszekrényben a megfelelő hőmérséklet.
- Áramkimaradás esetén a készülék az utolsó beállított hűtési szintet állítja vissza.
- Az alapértelmezett beállítás visszaállításához tartsa lenyomva az ajtókapcsolót a hűtőszekrényben, és egyidejűleg tartsa lenyomva a BE/KI gombot 5 másodpercig.
- Normál üzemi körülmények között (tavasszal és ősszel) ajánlott a hőmérsékletet 4 °C-ra állítani. Nyáron vagy magas környezeti hőmérséklet esetén ajánlott a hőmérsékletet 6-8 °C-ra beállítani, hogy a hűtőszekrény és a fagyasztó hőmérséklete megfelelő legyen, miközben csökken a hűtőszekrény folyamatos üzemideje; télen alacsony környezeti hőmérséklet esetén ajánlott a hőmérsékletet 3-4 °C-ra állítani, hogy elkerülje a hűtőszekrény gyakori beindítását/leállítását.

## **Kijelző készenléti módja**

- Ha az ajtó zárva van -> a kijelző készenléti módban működik (egyik LED sem világít)
- Ha az ajtó nyitva van -> a hűtőszekrény aktuális hőmérséklet LED-je és a fagyasztó hőmérséklet LED-je világít (folyamatosan).
- Az ECO üzemmód LED + Holiday üzemmód LED világít (folyamatosan), ha korábban kiválasztotta ezeket.
- A kijelző készen áll a bemenetek fogadására (az aktiváláshoz nem szükséges megérinteni).

## **Üzem módok**

Az üzemmód gomb a különböző üzemmódok közötti váltásra szolgál.

A vonatkozó LED bekapcsol, és a kiválasztás azonnal megerősítést nyer (nincs villogás).

A rövid hangjelzés megerősíti a kiválasztást.

## **Hűtő hőmérsékletének beállítása**

Amikor a kijelzőpanel világít, válassza ki a „hűtő hőmérsékletének beállítása” lehetőséget az MODE gomb megnyomásával. A hűtőszekrény terület LED-je bekapcsol.

Nyomja meg a „TEMP” gombot, amíg a kívánt hőmérsékletet be nem állítja.

A hőmérséklet értéke így változik: 8 °C -> 6 °C -> 4 °C -> 3 °C -> 2 °C -> szuperhűtés -> 8 °C...

A vonatkozó LED bekapcsol, és a kiválasztás azonnal megerősítést nyer (nincs villogás).

A rövid hangjelzés megerősíti a kiválasztást.

## **Fagyasztó hőmérséklet-beállítás**

Amikor a kijelzőpanel világít, válassza ki a „fagyasztó hőmérséklet-beállítás” lehetőséget az MODE gomb megnyomásával. A fagyasztó terület LED-je bekapcsol.

Nyomja meg a „TEMP” gombot, amíg a kívánt hőmérsékletet be nem állítja.

A hőmérséklet értéke így változik: -16 °C -> -18 °C -> -20 °C -> -22 °C -> -24 °C -> szuperfagyasztás -> -16 °C...

A vonatkozó LED bekapcsol, és a kiválasztás azonnal megerősítést nyer (nincs villogás).

A rövid hangjelzés megerősíti a kiválasztást.

## **Vegye figyelembe:**

A váltás a hűtőszekrény és a fagyasztó területei között azonnali, amikor a felhasználó megnyomja az MODE gombot, és a kiválasztás azonnal aktív

A hőmérsékletjelző LED-ek nem villognak

## Egyéni hőmérséklet

A hűtőszekrény esetében 2 °C és 8 °C között választhat, míg a fagyasztó esetében -16 °C és -24 °C között. Amikor a hőmérsékletet az alkalmazás választja ki, az egyéni hőmérséklet ikon bekapcsol, miközben az összes LED jelzőfény az érintett rekesz esetében kikapcsol (vagyis ha a hűtőszekrény hőmérsékletét választja ki az alkalmazás, a 2 °C és 8 °C közötti hőmérsékleteket jelző LED-ek kapcsolnak ki).

Ha a fagyasztó hőmérsékletét az alkalmazásból választja ki, a -16 °C és -24 °C közötti hőmérsékleteket jelző LED-ek nem világítanak.).

Ha csak egy rekesz (fagyasztó vagy hűtőszekrény) esetében állítja be az egyéni hőmérsékletet, a másik rekesz hőmérséklete nem módosul, és a kiválasztott hőmérsékletet jelző LED az adott rekesznél bekapcsolva marad.

A hosszú hangjelzés (1 másodperc) megerősíti, hogy a kapcsolat létrejött.

## Super Cool funkció

Javasoljuk, hogy kapcsolja be a Super Cool funkciót, ha nagy mennyiségű élelmiszert kell tárolni (például vásárlás után). A Super Cool funkció felgyorsítja a friss élelmiszerek hűtését, és megvédi a már tárolt árukat a nemkívánatos felmelegedéstől. Ha a funkció be van kapcsolva, a hűtőszekrény hőmérséklete automatikusan 2 °C-ra módosul.

A Super Cool funkció használata:

- A funkció a HŐM lenyomva tartásával kapcsolható be, így kiválaszthatja a hűtőszekrényt, majd gyorsan nyomja meg a HŐM gombot, amíg a Super Cool ikon be nem kapcsol, vagy a funkció bekapcsolható az alkalmazásból. A funkció bekapcsolását követően a Super Cool LED folyamatosan világít.
- A Super Cool funkcióból való kilépéshez nyomja meg a HŐM gombot, vagy kapcsolja ki azt az alkalmazásból.
- A Super Cool funkció automatikusan kikapcsol, amint a funkció bekapcsolt állapota meghaladja a 12 órát.
- Amikor a Super Cool funkció kikapcsol, a vezérlőpult megfelelő ikonja kikapcsol, és a készülék visszaállítja a korábban meghatározott hűtési szintet.

**Megjegyzés:** A Super Cool és a Super Freeze funkció nem használható egyszerre.

## Super Freeze funkció

A szuperfagyasztás funkció felgyorsítja a friss élelmiszerek lefagyasztását, és megvédi a már tárolt árukat a nemkívánatos felmelegedéstől. Ha nagy mennyiségű élelmiszert kell fagyasztani, ajánlott a Super Freeze funkciót 24 órával korábban bekapcsolni, mielőtt behelyezné az élelmiszert. Ha a funkció be van kapcsolva, a hőmérséklete automatikusan -22 °C-ra módosul.

A Super Freeze funkció használata:

- A funkció a HŐM lenyomva tartásával engedélyezhető, így kiválaszthatja a fagyasztót, majd gyorsan nyomja meg a HŐM gombot, amíg a Super Freeze ikon be nem kapcsol, vagy a funkció bekapcsolható az alkalmazásból. A funkció bekapcsolását követően a Super Freeze LED folyamatosan világít.
- A Super Freeze funkcióból való kilépéshez nyomja meg a HŐM gombot, vagy kapcsolja ki azt az alkalmazásból.
- A Super Freeze funkció automatikusan kikapcsol, amint a funkció bekapcsolt állapota meghaladja az 50 órát.
- Amikor a Super Freeze funkció kikapcsol, a vezérlőpult megfelelő ikonja kikapcsol, és a készülék visszaállítja a korábban meghatározott fagyasztási szintet.

**Megjegyzés:** A Super Cool és a Super Freeze funkció nem használható egyszerre.

## Eco mód

Az Eco mód aktiválásával optimalizálhatja a készülék teljesítményét, miközben a készülék optimális körülményeket biztosít az élelmiszer tárolásához. Az Eco mód automatikusan 4 °C-ra állítja be a hőmérsékletet a hűtőszekrényben, a fagyasztóban pedig -18 °C-ra.

Az Eco mód használata:

- A funkció bekapcsolható a vezérlőpultról a „Mode” gomb megnyomásával, amíg az Eco mód ikon be nem kapcsol (és egy hangjelzés megerősíti a funkció kiválasztását), vagy kiválaszthatja a funkciót az alkalmazásból. A funkció bekapcsolását követően az Eco mód ikon folyamatosan világít.
- Az Eco mód kikapcsolásához használja az alkalmazást, vagy válasszon egy másik funkciót a vezérlőpultról.
- Amikor az Eco mód kikapcsol, a vezérlőpult megfelelő ikonja kikapcsol, és a készülék visszaállítja a korábban meghatározott hűtési szinteket.

## Nyarlalás funkció

A Nyarlalás funkció a készülék energiafogyasztásának csökkentésére szolgál, amikor a készüléket nem használják a megszokott módon. Bekapcsolt funkció mellett a LED jelzőfények nem világítanak (nyitott ajtó esetén sem), a hűtőrekesz alacsony energiafogyasztási módban, a fagyasztrékesz pedig normál módban fog működni

A Nyarlalás funkció használata:

- A funkció bekapcsolható a vezérlőpultról a „Mode” gomb megnyomásával, amíg a Nyarlalás ikon be nem kapcsol (és egy hangjelzés megerősíti a funkció kiválasztását), vagy kiválaszthatja a funkciót az alkalmazásból. A funkció bekapcsolását követően a Nyarlalás ikon folyamatosan világít.
- A Nyarlalás funkció kikapcsolásához használja az alkalmazást, vagy válasszon egy másik funkciót a vezérlőpultról.
- Amikor a Nyarlalás funkció kikapcsol, a vezérlőpult megfelelő ikonja kikapcsol, és a készülék visszaállítja a korábban meghatározott hűtési szinteket.

## Leolvasztás

Ha a fagyasztrékeszben a jég réteg meghaladja a 3 mm-t, javasoljuk a leolvasztás megkezdését, mivel a jég réteg növeli az áramfogyasztást.

- Kapcsolja ki a készüléket, és húzza ki a tápkábelt.
- Vegye ki a lefagyasztott élelmiszereket, és ideiglenesen helyezze egy hűvös helyre.
- Hagyja nyitva a fagyasztré ajtaját, és gyűjtse össze a készülék alsó részében összegyűlő vizet.
- A leolvasztás befejezését követően törölje alaposan szárazra a belső részt.
- Csatlakoztassa újra a tápkábelt, és állítsa be a kívánt értékeket.
- Várjon egy keveset, mielőtt visszatenné a lefagyasztott élelmiszereket.

## Demo mód

A demo mód bekapcsolásához, feloldott kijelző mellett tartsa lenyomva a Wi-Fi gombot (B), és nyomja le a MODE gombot (C) 5 alkalommal 5 másdpercen belül. A demo mód elhagyásához hajtsa végre ugyanazt a műveletet, vagy kapcsolja ki a hűtőberendezést.

## Hibakódok

- Kommunikációs hiba

A 8 °C – 6 °C – 4 °C – 3 °C – 2 °C LED jelzőfények egymást követően bekapcsolnak, ami arról tájékoztat, hogy kommunikációs hiba jelentkezett a központi vezérlőkártya és a kijelzőkártya között. Kérjük, vegye fel a kapcsolatot a műszaki támogatással a probléma elhárításához.

## WI-FI HASZNÁLATA

### Párosítási eljárás az alkalmazásban

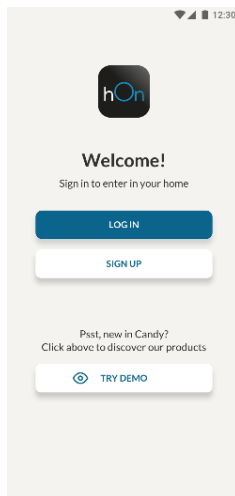
#### 1. lépés

- Töltse le a hOn alkalmazást a megfelelő áruházból



#### 2. lépés

- Hozza létre fiókját a hOn alkalmazásban, vagy jelentkezzen be, ha már van fiókja



#### 3. lépés

- Kövesse a hOn alkalmazás párosításra vonatkozó utasításait

## Wi-Fi használata

Ha a kijelzőpanel be van kapcsolva, a Wi-Fi gomb rövid megnyomása elindítja a szinkronizálást, és a Wi-Fi LED villogni kezd. Az összekapcsolás befejezéséhez kövesse az alkalmazás utasításait.

A hosszú hangjelzés (1 másodperc) megerősíti, hogy a kapcsolat létrejött, és a LED folyamatosan világít.

Ha a Wi-Fi módot még nem konfigurálta, amikor a hűtőszekrény bekapcsol, a készülék automatikusan konfigurációs módba vált, és ebben az állapotban marad 30 percig. A konfigurációs mód használata:

- Tartsa lenyomva a Wi-Fi gombot legalább 2 másodpercig, és a hűtőszekrény Wi-Fi konfigurációs módba kapcsol, amiről hangjelzéssel tájékoztat. A Wi-Fi ikon villogni kezd.
- A Wi-Fi funkció konfigurálásához kövesse az alkalmazás utasításait (lásd fent).
- A Wi-Fi konfigurálása és a kapcsolat létrehozása után a Wi-Fi ikon bekapcsol és folyamatosan világít.
- Ha nem hajt végre semmilyen műveletet 30 percig, a Wi-Fi funkció automatikusan kilép a konfigurációs módból.
- Ha a Wi-Fi funkciót már konfigurálta, ez automatikusan újracsatlakozik a konfigurációs adatoknak megfelelően.

A Wi-Fi visszaállításához tartsa lenyomva a Wi-Fi – Mode gombot legalább 2 másodpercig, ezt követően a Wi-Fi funkció visszaáll alapértékekre, és erről hangjelzés tájékoztat. Ezt követően a Wi-Fi funkció automatikusan konfigurációs módba kapcsol (a Wi-Fi ikon ismét villogásba kezd).

A Wi-Fi funkció kikapcsolásához tartsa lenyomva a Wi-Fi gombot 3 másodpercig.

## Rádiómodul - Műszaki adatok

Frekvencia ráta (OFR)	2400 MHz-2843.5 MHz
Csatorna frekvenciák	2412...2472 MHz(lépés mérete 5 MHz)
Maximális teljesítmény(EIRP)	100 mW

A rádióberendezés típusa megfelel az irányelvnek 2014/53/EU.

# HIBAELEHÁRÍTÁS

A belső izzó nem kapcsol be.	<ul style="list-style-type: none"> <li>Nincs elektromos tápellátás.</li> </ul>	<ul style="list-style-type: none"> <li>Nem csatlakoztatta megfelelően a tápkábelt.</li> <li>Ellenőrizze, hogy a készülék kikapcsolt állapotban van vagy sem (lásd Hőmérséklet beállítás).</li> <li>Bizonyosodjon meg a hálózati aljzat megfelelő működéséről (pl. egy másik elektromos eszközzel).</li> </ul>
	<ul style="list-style-type: none"> <li>Holiday üzemmód bekapcsolva.</li> </ul>	<ul style="list-style-type: none"> <li>Kapcsolja ki a Holiday üzemmódot.</li> </ul>
A hűtőszekrény és/vagy a fagyasztó belső hőmérséklete nem elég alacsony.	<ul style="list-style-type: none"> <li>Az ajtók nincsenek bezárva.</li> </ul>	<ul style="list-style-type: none"> <li>Bizonyosodjon meg az ajtó és a tömítések megfelelő záródásáról.</li> </ul>
	<ul style="list-style-type: none"> <li>Az ajtókat gyakran kinyitják.</li> </ul>	<ul style="list-style-type: none"> <li>Egy ideig kerülje az ajtók felesleges nyitását.</li> </ul>
	<ul style="list-style-type: none"> <li>Helytelen hőmérséklet beállítás.</li> </ul>	<ul style="list-style-type: none"> <li>Ellenőrizze a beállított hőmérsékletet, és ha lehetséges, állítson be alacsonyabb hőmérsékletet (lásd Hőmérséklet beállítás).</li> </ul>
	<ul style="list-style-type: none"> <li>A hűtőszekrény és/vagy a fagyasztó túl tele van.</li> </ul>	<ul style="list-style-type: none"> <li>Várja meg, amíg a hűtőszekrény/fagyasztó hőmérséklete stabilizálódik.</li> <li>Kerülje a hűtőszekrény és a fagyasztó túlzott feltöltését.</li> </ul>
	<ul style="list-style-type: none"> <li>A környező hőmérséklet túl alacsony.</li> </ul>	<ul style="list-style-type: none"> <li>Vágya az egységet egy melegebb helyre, vagy melegítse fel az adott helyiséget.</li> </ul>
A hűtőszekrényben lévő étel megfagy.	<ul style="list-style-type: none"> <li>A készülékbe meleg cikkeket helyeztek.</li> </ul>	<ul style="list-style-type: none"> <li>Tárolás előtt mindig hagyja lehűlni a cikkeket.</li> </ul>
	<ul style="list-style-type: none"> <li>Helytelen hőmérséklet beállítás.</li> </ul>	<ul style="list-style-type: none"> <li>Ellenőrizze a hőmérséklet beállítását, és ha lehetséges, növelje a hőmérsékletet.</li> </ul>
A hűtőszekrényben lévő étel megfagy.	<ul style="list-style-type: none"> <li>Az étel érintkezik a hátsó falal.</li> </ul>	<ul style="list-style-type: none"> <li>Tartsa távol az ételt a hűtőszekrény hátsó falától.</li> </ul>
	<ul style="list-style-type: none"> <li>Helytelen hőmérséklet beállítás.</li> </ul>	<ul style="list-style-type: none"> <li>Ellenőrizze a hőmérséklet beállítását, és ha lehetséges, növelje a hőmérsékletet.</li> </ul>
A hűtőtér alja nedves, vagy vízcsöppek jelenléte látható.	<ul style="list-style-type: none"> <li>Előfordulhat, hogy a kifolyócső eltömődött.</li> </ul>	<ul style="list-style-type: none"> <li>Tisztítsa meg a kifolyócsövet egy bottal vagy hasonló eszközzel, hogy elősegítse a víz távozását.</li> </ul>
Vízcsöppek vagy jég jelenléte a hűtőszekrény hátsó falán.	<ul style="list-style-type: none"> <li>A funkció függvényében működés közben vízcsöppek vagy jég képződhet a hűtőszekrény hátsó falán.</li> </ul>	<ul style="list-style-type: none"> <li>Ez nem hiba.</li> </ul>
	<ul style="list-style-type: none"> <li>A készülékbe meleg cikkeket helyeztek.</li> </ul>	<ul style="list-style-type: none"> <li>Tárolás előtt mindig hagyja lehűlni a cikkeket.</li> </ul>
	<ul style="list-style-type: none"> <li>Nyitott élelmiszerartólok vagy folyadékok találhatóak a készülékben.</li> </ul>	<ul style="list-style-type: none"> <li>Mindig fedje le az ételeit és a folyadékokat.</li> </ul>
	<ul style="list-style-type: none"> <li>Az ajtók nincsenek bezárva.</li> </ul>	<ul style="list-style-type: none"> <li>Bizonyosodjon meg az ajtó és a tömítések megfelelő záródásáról.</li> </ul>
	<ul style="list-style-type: none"> <li>Az ajtókat gyakran kinyitják.</li> </ul>	<ul style="list-style-type: none"> <li>Egy ideig kerülje az ajtók felesleges nyitását.</li> </ul>
A zöldséges rekeszben víz jelenléte tapasztalható.	<ul style="list-style-type: none"> <li>A levegő nem kering.</li> </ul>	<ul style="list-style-type: none"> <li>Bizonyosodjon meg arról, hogy nem töltötte túlságosan fel a készüléket.</li> </ul>
	<ul style="list-style-type: none"> <li>A zöldségek és gyümölcsök túl sok nedvességet tartalmaznak.</li> </ul>	<ul style="list-style-type: none"> <li>Csomagolja a gyümölcsöket és zöldségeket valamilyen műanyagba, pl. fóliába, zsákokba vagy tartályokba.</li> </ul>
A motor folyamatosan üzemel.	<ul style="list-style-type: none"> <li>Az ajtók nincsenek bezárva.</li> </ul>	<ul style="list-style-type: none"> <li>Győződjön meg arról, hogy az ajtókat becsukta, és hogy a tömítések megfelelően zárnak.</li> </ul>
	<ul style="list-style-type: none"> <li>Az ajtókat gyakran nyitják.</li> </ul>	<ul style="list-style-type: none"> <li>Egy ideig kerülje az ajtók felesleges nyitását.</li> </ul>
	<ul style="list-style-type: none"> <li>Nagyon magas a környezeti hőmérséklet.</li> </ul>	<ul style="list-style-type: none"> <li>Ellenőrizze, hogy a környezeti hőmérséklet a készülék címkején szereplő jellemzőkben meghatározott tartományon belül van-e.</li> <li>Állítsa a kijelző képernyő/termosztátot magasabb hőmérsékletre.</li> </ul>
	<ul style="list-style-type: none"> <li>A készüléket hosszabb időre kikapcsolva maradt (áramellátás nélkül).</li> </ul>	<ul style="list-style-type: none"> <li>Normál esetben a készüléknek 8-12 órára van szüksége ahhoz, hogy teljesen lehűljön.</li> </ul>
A fagyasztott élelmiszer kiolvad.	<ul style="list-style-type: none"> <li>A környezeti hőmérséklet túl alacsony.</li> </ul>	<ul style="list-style-type: none"> <li>Vágya az egységet egy melegebb helyre, vagy melegítse fel az adott helyiséget.</li> </ul>
	<ul style="list-style-type: none"> <li>A fagyasztó ajtaja nincs becsukva.</li> </ul>	<ul style="list-style-type: none"> <li>Győződjön meg róla, hogy az ajtó zárva van, és hogy a tömítés megfelelően zár.</li> </ul>
Hűtőajtó riasztás.	<ul style="list-style-type: none"> <li>A hűtőajtó riasztás (hangjelzés) bekapcsol, amikor az ajtó 3 percenél hosszabb idei nyitva marad.</li> </ul>	<ul style="list-style-type: none"> <li>Ne hagyja nyitva az ajtót, amikor nincs rá szükség. A sípolás az ajtó becsukásakor megszűnik.</li> </ul>
A készülék olyan hangokat ad ki, mint a gurgulázás, zúmmogás, kattanás, nyikorgás.	<ul style="list-style-type: none"> <li>Nincs meghibásodás. Egy motor működik, pl. hűtőegység, ventilátor. A hűtőközeg áramlik a csövekben. A motor, a kapcsolók és a mágnesszelepek be- vagy kikapcsolnak.</li> </ul>	<ul style="list-style-type: none"> <li>Szükségtelen bármilyen beavatkozás.</li> </ul>
	<ul style="list-style-type: none"> <li>A készülék nem vízszintes talajon helyezkedik el.</li> </ul>	<ul style="list-style-type: none"> <li>Állítsa be a lábakat a készülék szintbe állításához.</li> </ul>
	<ul style="list-style-type: none"> <li>A készülék hozzáér egy körülött lévő tárgyhoz.</li> </ul>	<ul style="list-style-type: none"> <li>Távolítsa el a készülék mellett lévő tárgyakat.</li> </ul>
A készülék nem hűt, a hőmérséklet és a világítás visszajelzői működnek.	<ul style="list-style-type: none"> <li>Demo mód bekapcsolva.</li> </ul>	<ul style="list-style-type: none"> <li>Kapcsolja ki a DEMO módot.</li> </ul>
Vastag jég és zúzmara található a fagyasztórekeszben.	<ul style="list-style-type: none"> <li>A cikkeket nem csomagolta be megfelelően.</li> </ul>	<ul style="list-style-type: none"> <li>Mindig csomagolja be alaposan a cikkeket.</li> </ul>
	<ul style="list-style-type: none"> <li>Egy ajtó/fiók a készülékben nem záródik megfelelően.</li> </ul>	<ul style="list-style-type: none"> <li>Caukja be az ajtó/fiókot.</li> </ul>
	<ul style="list-style-type: none"> <li>Az ajtó/fiók túlságosan gyakran nyitotta ki, vagy túlságosan sokáig tartotta nyitva.</li> </ul>	<ul style="list-style-type: none"> <li>Ne nyissa ki az ajtó/fiókot túl gyakran.</li> </ul>
	<ul style="list-style-type: none"> <li>Az ajtó/fiók tömítése szennyezett, kopott, repedt vagy nem megfelelő.</li> </ul>	<ul style="list-style-type: none"> <li>Tisztítsa meg az ajtó/fiók tömítést, vagy cserélje ki új aktrészre.</li> </ul>
	<ul style="list-style-type: none"> <li>Valami belülről megakadályozza az ajtó/fiók megfelelő záródását.</li> </ul>	<ul style="list-style-type: none"> <li>Helyezze vissza a polcokat, az ajtópolcokat vagy belső tartályokat, hogy az ajtó/fiók becsukódhasson.</li> </ul>
A készülék oldalai melegek.	<ul style="list-style-type: none"> <li>Ez természetes jelenség.</li> </ul>	

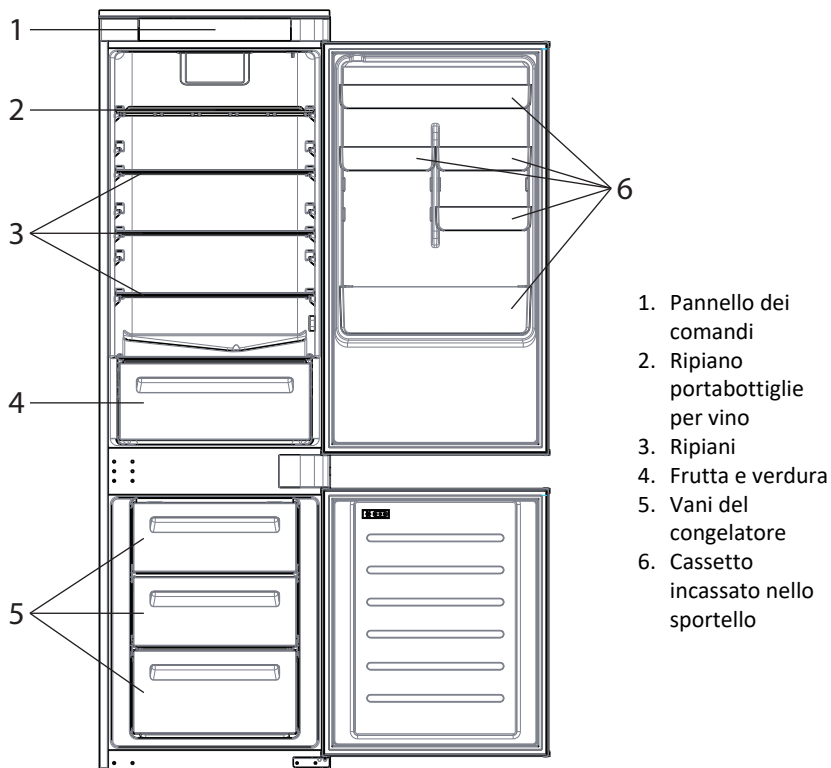


# Indice

---

DESCRIZIONE DEL PRODOTTO .....	2
UTILIZZO .....	3
Utilizzo.....	3
Gestione della modalità stand-by del display.....	4
Modalità.....	4
Impostazione della temperatura del frigorifero .....	4
Impostazione della temperatura del congelatore .....	4
Temperatura personalizzata .....	5
Funzione Super Cool .....	5
Funzione Super Freeze .....	6
Modalità Eco .....	6
Funzione Holiday.....	7
Sbrinamento.....	7
Modalità Demo .....	7
Codici di errore .....	7
Procedura di accoppiamento nell'app .....	8
Uso della funzione WiFi .....	9
SOLUZIONE DEI PROBLEMI .....	10

## DESCRIZIONE DEL PRODOTTO



\* Per la configurazione che consente il massimo risparmio energetico, collocare nel prodotto i cassetti, i vani alimenti e i ripiani, e spegnere la ventola. Fare riferimento alle immagini precedenti.

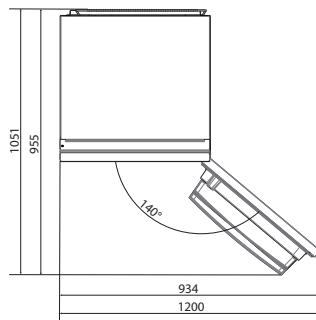
\*\* Le immagini precedenti fungono solo da riferimento. La configurazione reale dipende dalle caratteristiche fisiche del prodotto o dalla dichiarazione del distributore.

### Requisiti di spazio

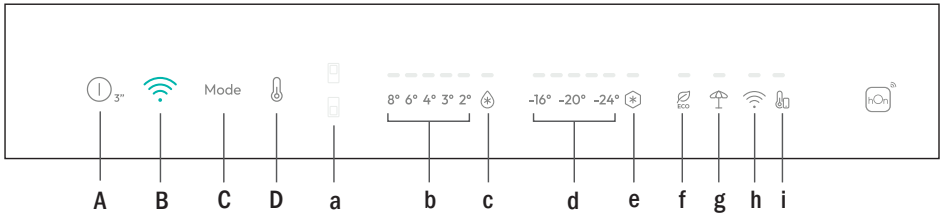
Lo sportello dell'unità deve potersi aprire completamente, come illustrato. Lasciare spazio sufficiente per poter aprire comodamente gli sportelli e i cassetti. Mantenere una distanza di almeno 50 mm tra le pareti laterali del prodotto e le parti adiacenti.

Armadio da 540 mm: Larghezza: 934 mm  
Profondità: 955 mm

Armadio da 700 mm: Larghezza: 1200 mm  
Profondità: 1051 mm



## UTILIZZO



- A. Tasto di accensione/spengimento, premere per 3 secondi. L'elettrodomestico si accende con un lungo feedback acustico (1 sec).
- B. Tasto WiFi, utilizzato per collegare l'apparecchio
- C. Tasto Mode, utilizzato per selezionare tra Frigo, Congelatore, Eco e Vacanze
- D. Tasto della temperatura, utilizzato per selezionare tra i livelli di temperatura (anche Super Cool e Super Freeze)
- a. Icona dell'area frigorifero/congelatore: indica quale vano dell'elettrodomestico è selezionato
- b. Livelli di temperatura del frigorifero: indicano la temperatura selezionata nel frigorifero
- c. Icona Super Cool: indica se è attivata la funzione Super Cool
- d. Livelli di temperatura del congelatore: indicano la temperatura selezionata nel congelatore
- e. Icona Super Freeze: indica se è attivata la funzione Super Freeze
- f. Icona della modalità Eco; indica se è attivata la modalità Eco
- g. Icona della funzione Holiday: indica se è attivata la funzione Holiday
- h. Icona WiFi: indica se la funzione WiFi è attivata e se l'elettrodomestico è collegato
- i. Icona della temperatura personalizzata: indica se la temperatura è stata selezionata dall'app

### Utilizzo

- Collegare l'apparecchio e si accende automaticamente con un lungo feedback acustico (1 sec). Tutti i LED si accendono (1 sec), quindi il LED della temperatura del frigorifero e il LED del congelatore si accendono fissi.
- La temperatura viene impostata automaticamente a 4 °C nel frigorifero e a -18 °C nel congelatore.  
**NOTA:** attendere almeno 2/3 ore prima di collocare gli alimenti nell'elettrodomestico, in modo da garantire la temperatura corretta all'interno del frigorifero.
- In caso di interruzione della corrente, viene ripristinato l'ultimo livello di raffreddamento impostato.
- Per ripristinare l'impostazione predefinita, tenere premuto l'interruttore dello sportello all'interno del frigorifero e premere contemporaneamente il tasto di accensione/spengimento per 5 secondi.
- In condizioni di funzionamento normali (in primavera e in autunno), è preferibile impostare la temperatura a 4 °C. In estate, quando la temperatura ambiente è alta, è preferibile impostare la temperatura a 6~8 °C, in modo da mantenere le temperature del frigorifero e del congelatore e ridurre il tempo di funzionamento continuo del frigorifero; in inverno, quando la temperatura ambiente è bassa, è preferibile impostare la temperatura a 3~4 °C per evitare che il frigorifero si avvii e si arresti frequentemente.

## **Gestione della modalità stand-by del display**

- Se lo sportello è chiuso -> display in stand-by (LED spenti)
- Se lo sportello è aperto -> il LED della temperatura del frigorifero e il LED della temperatura del congelatore correnti sono accesi (fissi).
- Se precedentemente selezionati, il LED modalità ECO + il LED modalità Holiday sono accesi (fissi).
- Il display è pronto a ricevere input (non è necessario attivarlo tramite tocco).

## **Modalità**

Il pulsante della modalità viene utilizzato per passare da una modalità all'altra.

Il relativo LED si accende e la selezione viene immediatamente confermata (nessun lampeggio).

Un breve feedback acustico conferma la selezione.

## **Impostazione della temperatura del frigorifero**

Quando il quadro comandi è acceso, selezionare "l'impostazione della temperatura del frigorifero" premendo il pulsante MODE. Il LED dell'area frigorifero si accende.

Premere il pulsante "TEMP" fino a impostare la temperatura desiderata.

Il valore della temperatura varia in questo modo: 8°C -> 6°C -> 4°C -> 3°C -> 2°C -> Super Cool -> 8°C...

Il relativo LED si accende e la selezione viene immediatamente confermata (nessun lampeggio).

Un breve feedback acustico conferma la selezione.

## **Impostazione della temperatura del congelatore**

Quando il quadro comandi è acceso, selezionare "l'impostazione della temperatura del congelatore" premendo il pulsante MODE. Il LED dell'area congelatore si accende.

Premere il pulsante "TEMP" fino a impostare la temperatura desiderata.

Il valore della temperatura varia in questo modo: -16°C -> -18°C -> -20°C -> -22°C -> -24°C -> Super Freeze -> -16°C...

Il relativo LED si accende e la selezione viene immediatamente confermata (nessun lampeggio).

Un breve feedback acustico conferma la selezione.

## **Da notare:**

Quando l'utente preme il tasto MODE e la selezione è subito attiva, il passaggio dall'area frigorifero all'area congelatore e viceversa è immediato

I LED della temperatura non lampeggiano

## **Temperatura personalizzata**

È possibile selezionare una temperatura da 2 °C a 8 °C nel frigorifero, e da -16 °C a -24 °C nel congelatore. Quando la temperatura viene selezionata dall'app, si accende l'icona della temperatura personalizzata e tutte le spie a LED della temperatura del vano interessato si spengono (ad esempio, se la temperatura del frigorifero viene selezionata dall'app, i LED da 2 °C a 8 °C si spengono;

se la temperatura del congelatore viene selezionata dall'app, i LED da -16 °C a -24 °C si spengono).

Se viene personalizzata la temperatura in una sola area (congelatore o frigorifero), la selezione della temperatura dell'altra area non viene modificata e la spia a LED della temperatura selezionata di tale area rimane accesa.

Un lungo feedback acustico (1 sec) conferma che la connessione è stata stabilita.

## **Funzione Super Cool**

È preferibile attivare la funzione Super Cool se occorre conservare una notevole quantità di alimenti (ad es. dopo l'acquisto). La funzione Super Cool accelera il raffreddamento degli alimenti freschi e protegge quelli già conservati da un riscaldamento indesiderato. Quando la funzione è attivata, la temperatura del frigorifero viene impostata automaticamente a 2 °C.

Utilizzo della funzione Super Cool:

- La funzione può essere attivata tenendo premuto a lungo il tasto della temperatura per selezionare il vano frigorifero, quindi premendo rapidamente il tasto della temperatura fino a quando si accende il LED dell'icona Super Cool; questa funzione può essere attivata anche dall'app. Quando la funzione è attivata, il LED Super Cool è sempre acceso.
- Per uscire dalla funzione Super Cool, premere il tasto della temperatura o disattivare la funzione dall'app.
- La funzione Super Cool si disattiva automaticamente dopo 12 ore.
- Quando la funzione Super Cool si disattiva, l'icona del pannello di controllo si spegne e viene ripristinato il livello di raffreddamento impostato precedentemente.

Nota: Le funzioni Super Cool e Super Freeze non possono essere attivate contemporaneamente.

## Funzione Super Freeze

La funzione di congelamento rapido accelera il congelamento degli alimenti freschi e protegge quelli già conservati da un riscaldamento indesiderato. Se occorre congelare molti alimenti, è preferibile attivare la funzione Super Freeze 24 ore prima dell'uso. Quando la funzione è attivata, la temperatura viene impostata automaticamente a -22 °

C. Utilizzo della funzione Super Freeze:

- La funzione può essere attivata premendo a lungo il tasto della temperatura per selezionare il vano congelatore, quindi premendo rapidamente il tasto della temperatura fino a quando si accende il LED dell'icona Super Freeze; questa funzione può essere attivata anche dall'app. Quando la funzione è attivata, il LED Super Freeze è sempre acceso.
- Per uscire dalla funzione Super Freeze, premere il tasto della temperatura o disattivare la funzione dall'app.
- La funzione Super Freeze si disattiva automaticamente dopo 50 ore.
- Quando la funzione Super Freeze si disattiva, l'icona del pannello di controllo si spegne e viene ripristinato il livello di congelamento impostato precedentemente.

**Nota:** Le funzioni Super Cool e Super Freeze non possono essere attivate contemporaneamente.

## Modalità Eco

È possibile attivare la modalità Eco per ottimizzare le prestazioni dell'elettrodomestico, garantendo al tempo stesso la migliore conservazione degli alimenti. La modalità Eco imposta automaticamente la temperatura a 4 °C nel frigorifero e a -18 °C nel congelatore.

Utilizzo della modalità Eco:

- La funzione può essere attivata dal pannello di controllo premendo il tasto "mode" fino a quando si accende l'icona della modalità Eco (un segnale acustico conferma la selezione); questa funzione può essere attivata anche dall'app. Quando la funzione è attivata, l'icona della modalità Eco è sempre accesa.
- Per uscire dalla modalità Eco, disattivarla dall'app o scegliere un'altra funzione dal pannello di controllo.
- Quando la modalità Eco si disattiva, l'icona del pannello di controllo si spegne e vengono ripristinati i livelli di raffreddamento impostati precedentemente.

## Funzione Holiday

La funzione Holiday può essere attivata per ridurre i consumi energetici quando l'elettrodomestico non viene utilizzato regolarmente. Quando la funzione è attivata, le spie a LED si spengono (anche se si apre lo sportello) e il frigorifero funziona in modalità a basso consumo, mentre il congelatore continua a funzionare normalmente.

Utilizzo della funzione Holiday:

- La funzione può essere attivata dal pannello di controllo premendo il tasto "mode" fino a quando si accende l'icona Holiday (un segnale acustico conferma la selezione); questa funzione può essere attivata anche dall'app. Quando la funzione è attivata, l'icona Holiday è sempre accesa.
- Per uscire dalla funzione Holiday, disattivarla dall'app o scegliere un'altra funzione dal pannello di controllo.
- Quando la funzione Holiday si disattiva, l'icona del pannello di controllo si spegne e vengono ripristinati i livelli di raffreddamento impostati precedentemente.

## Sbrinamento

Quando lo strato di ghiaccio nel vano congelatore è superiore a 3 mm, il consumo energetico aumenta, per cui è opportuno sbrinarlo.

- Spegnerne l'elettrodomestico e scollegare il cavo di alimentazione.
- Rimuovere gli alimenti congelati e riporli temporaneamente in un luogo fresco.
- Lasciare aperto lo sportello del congelatore e raccogliere l'acqua sulla parte inferiore del prodotto.
- A sbrinamento ultimato, asciugare perfettamente la parte interna.
- Collegare nuovamente il cavo di alimentazione e impostare i valori desiderati.
- Attendere qualche istante e introdurre nuovamente gli alimenti congelati.

## Modalità Demo

Per entrare nella modalità demo, con il display sbloccato, tenere premuto il tasto WiFi (B) e premere il tasto MODE (C) 5 volte entro 5 secondi. Per uscire dalla modalità demo, effettuare la stessa operazione o spegnere il frigorifero.

## Codici di errore

- Errore di comunicazione

Se le spie a LED 8 °C – 6 °C – 4 °C – 3 °C – 2 °C LED si accendono in sequenza, si è verificato un errore di comunicazione tra la scheda di controllo principale e la scheda del display. Per assistenza sulla soluzione del problema, contattare l'assistenza tecnica

## USO DELLA FUNZIONE WiFi

### Procedura di accoppiamento nell'app

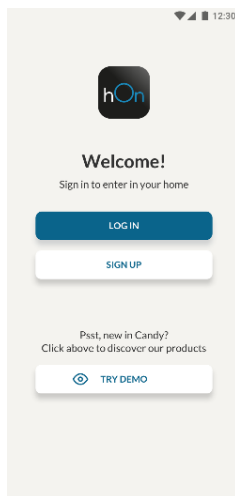
#### Fase 1

- Scaricare l'applicazione hOn



#### Fase 2

- Creare un account nell'app hOn o accedere se esiste già un account



#### Fase 3

- Per l'accoppiamento, seguire le istruzioni dell'app hOn



## Uso della funzione WiFi

Quando il quadro comandi è acceso, premendo brevemente il pulsante del Wi-Fi si avvia la sincronizzazione e il LED del Wi-Fi inizia a lampeggiare. Per completare la connessione, seguire le istruzioni sull'app.

Un lungo feedback acustico (1 sec) conferma che la connessione è stata stabilita e il LED rimane acceso fisso.

Se la funzione WiFi non è stata ancora configurata, quando il frigorifero si accende, entra automaticamente nella modalità di configurazione e rimane in questo stato per 30 minuti. Per utilizzare la modalità di configurazione:

- Tenendo premuto per 2 secondi il tasto WiFi, il frigorifero entra nella modalità di configurazione WiFi e viene emesso un segnale acustico. L'icona WiFi comincia a lampeggiare.
- Seguire le istruzioni dell'app per configurare la funzione WiFi (v. sopra).
- Una volta configurata la funzione WiFi e stabilita la connessione, l'icona WiFi rimane sempre accesa.
- Dopo 30 minuti senza effettuare alcuna operazione, la modalità di configurazione WiFi si disattiva automaticamente.
- Se la funzione WiFi è già stata configurata, la riconnessione avviene automaticamente in base ai dati di configurazione.

Per reimpostare la funzione WiFi, tenere premuto per 2 secondi il tasto WiFi e Mode; la funzione WiFi viene reimpostata e viene emesso un segnale acustico. Dopo di ciò, si attiva automaticamente lo stato di configurazione WiFi (l'icona WiFi riprende a lampeggiare).

Per disattivare la funzione WiFi, tenere premuto per 3 secondi il tasto WiFi.

## Modulo radio - Dati tecnici

Tasso di frequenza (OFR)	2400 MHz-2843.5 MHz
Frequenze dei canali	2412...2472 MHz(dimensione passo 5 MHz)
Massima potenza(EIRP)	100 mW

Il tipo di apparecchiatura radio è conforme alla Direttiva 2014/53/EU.

## SOLUZIONE DEI PROBLEMI

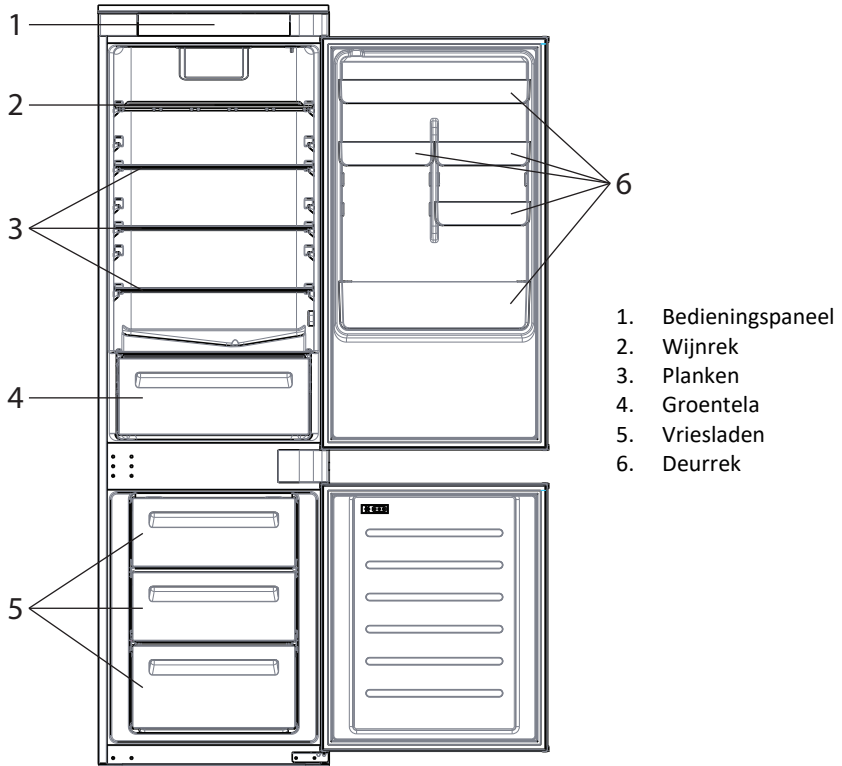
La lampada per l'illuminazione interna non si accende.	<ul style="list-style-type: none"> <li>Assenza di elettricità.</li> </ul>	<ul style="list-style-type: none"> <li>Il cavo di alimentazione non è inserito correttamente.</li> <li>Controllare se l'elettrodomestico è spento (vedere Regolazione della temperatura).</li> <li>Verificare il corretto funzionamento della presa di corrente (ad esempio con un altro apparecchio elettrico).</li> </ul>
	<ul style="list-style-type: none"> <li>La modalità Holiday è attivata.</li> </ul>	<ul style="list-style-type: none"> <li>Disattivare la modalità Holiday.</li> </ul>
La temperatura interna del frigorifero e/o del congelatore non è sufficientemente bassa.	<ul style="list-style-type: none"> <li>Gli sportelli non sono chiusi.</li> </ul>	<ul style="list-style-type: none"> <li>Accertarsi che lo sportello e le guarnizioni garantiscano una chiusura corretta.</li> </ul>
	<ul style="list-style-type: none"> <li>Gli sportelli vengono aperti frequentemente.</li> </ul>	<ul style="list-style-type: none"> <li>Evitare di aprire gli sportelli inutilmente per un certo periodo di tempo.</li> </ul>
	<ul style="list-style-type: none"> <li>Impostazione della temperatura errata.</li> </ul>	<ul style="list-style-type: none"> <li>Controllare l'impostazione della temperatura e, se possibile, impostare una temperatura più bassa (vedere Regolazione della temperatura).</li> </ul>
	<ul style="list-style-type: none"> <li>Il frigorifero e/o il congelatore sono troppo pieni.</li> </ul>	<ul style="list-style-type: none"> <li>Attendere che la temperatura del frigorifero/congelatore si stabilizzi.</li> <li>Evitare di riempire eccessivamente il frigorifero e il congelatore.</li> </ul>
	<ul style="list-style-type: none"> <li>La temperatura ambiente è troppo bassa.</li> </ul>	<ul style="list-style-type: none"> <li>Spostare l'unità in un ambiente più caldo o riscaldare l'ambiente attuale.</li> </ul>
	<ul style="list-style-type: none"> <li>Sono stati riposti oggetti caldi.</li> </ul>	<ul style="list-style-type: none"> <li>Lasciare sempre raffreddare gli oggetti prima di riporli.</li> </ul>
Il cibo nel frigorifero si congela.	<ul style="list-style-type: none"> <li>Impostazione della temperatura errata.</li> </ul>	<ul style="list-style-type: none"> <li>Controllare l'impostazione della temperatura e, se possibile, aumentarla.</li> </ul>
	<ul style="list-style-type: none"> <li>Alimenti a contatto con la parete posteriore.</li> </ul>	<ul style="list-style-type: none"> <li>Tenere il cibo lontano dalla parete posteriore del frigorifero.</li> </ul>
La parte inferiore dello scomparto frigorifero è umida o sono presenti goccioline d'acqua.	<ul style="list-style-type: none"> <li>Il tubo di drenaggio potrebbe essere ostruito.</li> </ul>	<ul style="list-style-type: none"> <li>Pulire il tubo di drenaggio con un bastoncino o un oggetto simile per consentire all'acqua di defluire.</li> </ul>
Presenza di gocce d'acqua o brina sulla parete posteriore del frigorifero.	<ul style="list-style-type: none"> <li>In base alla funzione, durante il funzionamento si formano gocce d'acqua o brina sulla parete posteriore del frigorifero.</li> </ul>	<ul style="list-style-type: none"> <li>Non si tratta di un difetto.</li> </ul>
	<ul style="list-style-type: none"> <li>Sono stati riposti oggetti caldi.</li> </ul>	<ul style="list-style-type: none"> <li>Lasciare sempre raffreddare gli oggetti prima di riporli.</li> </ul>
	<ul style="list-style-type: none"> <li>Sono presenti contenitori di alimenti o liquidi aperti.</li> </ul>	<ul style="list-style-type: none"> <li>Coprire sempre alimenti e liquidi.</li> </ul>
	<ul style="list-style-type: none"> <li>Gli sportelli non sono chiusi.</li> </ul>	<ul style="list-style-type: none"> <li>Accertarsi che lo sportello e le guarnizioni garantiscano una chiusura corretta.</li> </ul>
	<ul style="list-style-type: none"> <li>Gli sportelli vengono aperti frequentemente.</li> </ul>	<ul style="list-style-type: none"> <li>Evitare di aprire gli sportelli inutilmente per un certo periodo di tempo.</li> </ul>
Presenza di acqua nel cassetto della frutta.	<ul style="list-style-type: none"> <li>Circolazione d'aria assente.</li> </ul>	<ul style="list-style-type: none"> <li>Verificare che l'elettrodomestico non sia troppo pieno.</li> </ul>
	<ul style="list-style-type: none"> <li>Frutta e verdura contengono troppa umidità.</li> </ul>	<ul style="list-style-type: none"> <li>Avvolgere la frutta e la verdura in materiali plastici, ad es. pellicola trasparente, sacchetti o contenitori.</li> </ul>
Il motore rimane continuamente in funzione.	<ul style="list-style-type: none"> <li>Gli sportelli non sono chiusi.</li> </ul>	<ul style="list-style-type: none"> <li>Accertarsi che gli sportelli siano chiusi e che la tenuta delle guarnizioni sia adeguata.</li> </ul>
	<ul style="list-style-type: none"> <li>Gli sportelli vengono aperti frequentemente.</li> </ul>	<ul style="list-style-type: none"> <li>Evitare di aprire gli sportelli inutilmente per un certo periodo di tempo.</li> </ul>
	<ul style="list-style-type: none"> <li>La temperatura ambiente è molto alta.</li> </ul>	<ul style="list-style-type: none"> <li>Verificare che la temperatura ambiente rientri nell'intervallo indicato nelle specifiche riportate sull'etichetta dell'elettrodomestico.</li> <li>Impostare lo schermo del display/Il termostato su una temperatura più calda.</li> </ul>
	<ul style="list-style-type: none"> <li>L'elettrodomestico è stato spento (senza potenza) per un po' di tempo.</li> </ul>	<ul style="list-style-type: none"> <li>Normalmente l'elettrodomestico impiega 8-12 ore per raffreddarsi completamente.</li> </ul>
Il cibo congelato si scongela.	<ul style="list-style-type: none"> <li>La temperatura ambiente è troppo bassa.</li> </ul>	<ul style="list-style-type: none"> <li>Spostare l'unità in un ambiente più caldo o riscaldare l'ambiente attuale.</li> </ul>
	<ul style="list-style-type: none"> <li>Lo sportello del congelatore non è chiuso.</li> </ul>	<ul style="list-style-type: none"> <li>Accertarsi che lo sportello sia chiuso e che la tenuta della guarnizione sia adeguata.</li> </ul>
Allarme dello sportello del frigorifero.	<ul style="list-style-type: none"> <li>L'allarme dello sportello del frigorifero (segnale acustico) si attiva ogni volta che lo sportello viene lasciato aperto per più di 3 minuti.</li> </ul>	<ul style="list-style-type: none"> <li>Evitare di lasciare lo sportello aperto quando non è necessario. Il segnale acustico cessa quando lo sportello viene chiuso.</li> </ul>
L'elettrodomestico emette rumori come gorgoglio, ronzio, clic, scricchiolio.	<ul style="list-style-type: none"> <li>Nessun guasto. Un motore è in funzione, ad es. frigorifero, ventola. Il refrigerante scorre nei tubi. Motore, interruttori ed elettrovalvole vengono accesi o spenti.</li> </ul>	<ul style="list-style-type: none"> <li>Nessuna azione necessaria.</li> </ul>
	<ul style="list-style-type: none"> <li>L'elettrodomestico non è a livello.</li> </ul>	<ul style="list-style-type: none"> <li>Regolare i piedini per collocare l'elettrodomestico a livello.</li> </ul>
	<ul style="list-style-type: none"> <li>L'elettrodomestico urta un oggetto vicino.</li> </ul>	<ul style="list-style-type: none"> <li>Rimuovere gli oggetti attorno all'elettrodomestico.</li> </ul>
L'elettrodomestico non raffredda, gli indicatori di temperatura e illuminazione sono accesi.	<ul style="list-style-type: none"> <li>La modalità DEMO è attivata.</li> </ul>	<ul style="list-style-type: none"> <li>Disattivare la modalità DEMO.</li> </ul>
Presenza di molto ghiaccio e brina nel comparto congelatore.	<ul style="list-style-type: none"> <li>Gli alimenti non sono stati confezionati adeguatamente.</li> </ul>	<ul style="list-style-type: none"> <li>Imballare sempre bene gli alimenti.</li> </ul>
	<ul style="list-style-type: none"> <li>Uno sportello o un cassetto dell'elettrodomestico non è chiuso bene.</li> </ul>	<ul style="list-style-type: none"> <li>Chiudere lo sportello o il cassetto.</li> </ul>
	<ul style="list-style-type: none"> <li>Lo sportello o il cassetto è stato aperto troppo spesso o troppo a lungo.</li> </ul>	<ul style="list-style-type: none"> <li>Non aprire lo sportello o il cassetto troppo spesso.</li> </ul>
	<ul style="list-style-type: none"> <li>Le guarnizioni dello sportello o del cassetto sono sporche, usurate, danneggiate o inadeguate.</li> </ul>	<ul style="list-style-type: none"> <li>Pulire la guarnizione dello sportello/cassetto oppure sostituirla.</li> </ul>
I lati dell'elettrodomestico sono caldi.	<ul style="list-style-type: none"> <li>Qualcosa all'interno impedisce la chiusura corretta dello sportello/cassetto.</li> </ul>	<ul style="list-style-type: none"> <li>Risistemare i ripiani, i cassetti incassati nello sportello o i contenitori interni per consentire la chiusura dello sportello o del cassetto.</li> </ul>
	<ul style="list-style-type: none"> <li>E' normale.</li> </ul>	

# Samenvatting

---

PRODUCTBESCHRIJVING.....	2
GEBRUIK .....	3
Gebruik.....	3
Beheer van de stand-bymodus van de display.....	4
Modi.....	4
Temperatuurinstelling koelkast.....	4
Temperatuurinstelling vriezer .....	4
Aangepaste temperatuur.....	5
Superkoelfunctie .....	5
Supervriesfunctie .....	6
Eco-modus.....	6
Vakantiefunctie .....	7
Ontdooien .....	7
Demo-modus.....	7
Foutcodes.....	7
Koppelingsprocedure in de app .....	8
Gebruik wifi .....	9
PROBLEMEN OPLOSSEN.....	10

## PRODUCTBESCHRIJVING



\* De meest energiebesparende configuratie vereist dat lades, levensmiddelenlades en planken in het product worden geplaatst, zie de bovenstaande afbeeldingen.

\*\* De bovenstaande foto's zijn alleen voor referentie. De feitelijke indeling is afhankelijk van het fysieke product of de verklaring van de distributeur.

### Benodigde ruimte

De deur van de eenheid moet volledig open kunnen, zoals geïllustreerd. Houd genoeg ruimte over voor het gemakkelijk openen van de deuren en lades.

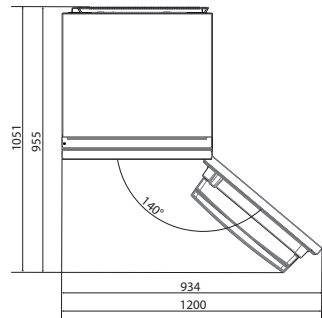
Houd een afstand van minimaal 50 mm tussen de zijwanden van het product en aangrenzende onderdelen.

540 mm Kast: Breedte: 934 mm

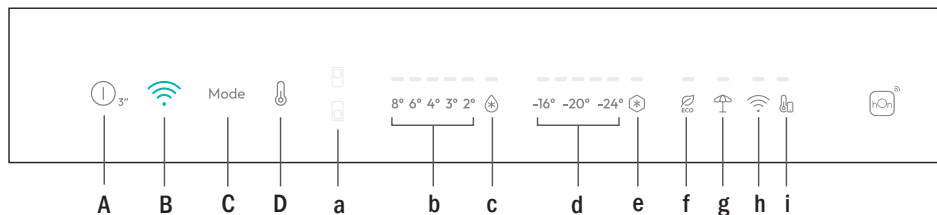
Diepte: 955 mm

700 mm Kast: Breedte: 1200 mm

Diepte: 1051 mm



## GEBRUIK



- A. Aan/uit-toets, druk gedurende 3 seconden. Het apparaat wordt ingeschakeld en er klinkt een lang geluidssignaal (1 sec).
- B. Wifitoets, gebruikt om het apparaat aan te sluiten
- C. Mode-toets, gebruikt om te kiezen tussen koelkast, vriezer, eco en vakantie
- D. TEMP-toets, gebruikt om te kiezen tussen temperaturniveaus (ook Super Cool en Super Freeze)
- a. Pictogram voor koelkast-/vriezergedeelte, geeft aan welke ruimte van het apparaat is geselecteerd
- b. Temperaturniveaus van de koelkast, geven aan wat de geselecteerd temperatuur is
- c. Pictogram voor superkoelen, geeft aan of de superkoelfunctie geactiveerd is
- d. Temperaturniveaus van de vriezer, geven aan wat de geselecteerde temperatuur is
- e. Pictogram voor supervriezen, geeft aan of de supervriesfunctie geactiveerd is
- f. Eco-moduspictogram, geeft aan of de Eco-modus geactiveerd is
- g. Vakantiefunctiepictogram, geeft aan of de vakantiefunctie geactiveerd is
- h. Wifipictogram, geeft aan of de wifi werkt en het apparaat verbonden is
- i. Pictogram aangepaste temperatuur, geeft aan of de temperatuur vanuit de app is geselecteerd

### Gebruik

- Steek de stekker in het stopcontact en het apparaat gaat automatisch aan met een lange akoestische feedback (1 sec.) Alle leds gaan aan (1 sec), daarna gaan de temperatuur-led van de koelkast en de led van de vriezer vast branden.
- De temperatuur wordt automatisch ingesteld op 4°C in de koelkast en -18°C in de vriezer.  
**OPMERKING:** Wacht minstens 2/3 uur voordat u voedsel in het apparaat plaatst, zodat de temperatuur in de koelkast wordt gegarandeerd.
- Bij stroomuitval wordt het laatst ingestelde koelniveau hersteld.
- Om de standaardinstelling te herstellen, houdt u de deurschakelaar in de koelkast ingedrukt en drukt u tegelijkertijd 5 seconden op de aan/uit-toets.
- Bij normale bedrijfsomstandigheden (in het voorjaar en de herfst) wordt aanbevolen de temperatuur in te stellen op 4°C. In de zomer, wanneer de omgevingstemperatuur hoog is, wordt aanbevolen de temperatuur in te stellen op 6~8°C om de koelkast- en de vriezertemperatuur te garanderen en de continue productieve tijd van de koelkast te verlagen. In de winter, wanneer de omgevingstemperatuur laag is, wordt aanbevolen de temperatuur in te stellen op 3~4°C om frequent starten/stoppen van de koelkast te voorkomen.

## **Beheer van de stand-bymodus van de display**

- Als de deur gesloten is -> display in stand-by (alle ledlampjes uit)
- Als de deur open is -> ledlampje huidige koelkasttemperatuur en ledlampje huidige vriezertemperatuur gaan branden (continu).
- De ledlampjes voor ECO-modus + Holiday-modus gaan branden (continu) als deze eerder zijn geselecteerd.
- De display is klaar om inputs te ontvangen (hoeft niet geactiveerd te worden door aanraking).

## **Modi**

De modustoets wordt gebruikt om te schakelen tussen de verschillende modi:  
Het betreffende ledlampje gaat aan en de selectie wordt onmiddellijk bevestigd (geen geknipper).  
Een kort geluidssignaal bevestigt de selectie.

## **Temperatuurinstelling koelkast**

Selecteer wanneer het display aan is 'Temperatuurinstelling koelkast' door op de MODE-toets te drukken.

Het ledlampje van het koelkastgedeelte gaat aan.

Druk op de toets 'TEMP' tot de gewenste temperatuur is ingesteld.

De temperatuurwaarde verandert op de volgende manier: 8°C -> 6°C -> 4°C -> 3°C -> 2°C -> Super Cooling

(Superkoelen) -> 8°C ...

Het betreffende ledlampje gaat aan en de selectie wordt onmiddellijk bevestigd (geen geknipper).

Een kort geluidssignaal bevestigt de selectie.

## **Temperatuurinstelling vriezer**

Selecteer wanneer het display aan is 'Temperatuurinstelling vriezer' door op de MODE-toets te drukken. Het ledlampje van het vriezergedeelte gaat aan.

Druk op de toets 'TEMP' tot de gewenste temperatuur is ingesteld.

De temperatuurwaarde verandert op de volgende manier: -16°C -> -18°C -> -20°C -> -22°C -> -24°C -> Super Freezing (Supervriezen) -> -16°C ...

Het betreffende ledlampje gaat aan en de selectie wordt onmiddellijk bevestigd (geen geknipper).

Een kort geluidssignaal bevestigt de selectie.

**Let op:**

Overschakelen van de koelkast naar de vriezer en omgekeerd gebeurt onmiddellijk wanneer de gebruiker op de MODE-toets drukt, en de selectie is onmiddellijk actief. De temperatuurlampjes knipperen niet.

**Aangepaste temperatuur**

Het is mogelijk een temperatuur te selecteren van 2°C tot 8°C in de koelkast en van -16°C tot -24°C in de vriezer. Wanneer de temperatuur vanuit de app wordt geselecteerd, licht het pictogram voor aangepaste temperatuur op, terwijl alle temperatuurlampjes van het betreffende compartiment worden uitgeschakeld (d.w.z. als de temperatuur van de koelkast wordt geselecteerd vanuit de app, gaan de lampjes van 2°C tot 8°C uit; als de vriezertemperatuur vanuit de app wordt geselecteerd, gaan de lampjes van -16°C tot -24°C uit).

Als slechts één gebied (vriezer of koelkast) de aangepaste temperatuur heeft, dan verandert de temperatuurselectie van het andere gebied niet en blijft het ledlampje van de geselecteerde temperatuur in dat gebied aan.

Een lang geluidssignaal (1 sec) bevestigt dat de verbinding is voltooid.

**Superkoelfunctie**

Het is aan te raden om de superkoelfunctie in te schakelen als een grote hoeveelheid voedsel moet worden opgeslagen (bijvoorbeeld na de aankoop). De superkoelfunctie versnelt het koelen van vers voedsel en beschermt de reeds opgeslagen goederen tegen ongewenste opwarming. Wanneer de functie wordt geactiveerd, wordt de temperatuur van de koelkast automatisch ingesteld op 2°C.

De superkoelfunctie gebruiken:

- De functie kan worden uitgezet door lang op de TEMP-toets te drukken om het koelkastcompartiment te selecteren en vervolgens snel op de TEMP-toets te drukken totdat het lampje van het pictogram voor superkoelen aan gaat. De functie kan ook worden ingeschakeld vanuit de app. Wanneer de functie is geactiveerd, is het ledlampje voor superkoelen altijd AAN.
- Druk op de toets TEMP om de superkoelfunctie te verlaten of schakel hem uit van de app.
- De superkoelfunctie stopt automatisch wanneer de functie langer dan 12 uur aan heeft gestaan.
- Wanneer het superkoelen stopt, gaat het pictogram op het bedieningspaneel uit en wordt het eerder ingestelde koelniveau hersteld.

**Opmerking:** De superkoel- en supervriesfunctie kunnen niet gelijktijdig worden geactiveerd.

## **Supervriesfunctie**

De supervriesfunctie versnelt het invriezen van vers voedsel en beschermt de reeds opgeslagen producten tegen ongewenste opwarming. Als een grote hoeveelheid voedsel moet worden ingevroren, wordt aanbevolen de supervriesfunctie 24 uur vóór gebruik in te stellen. Wanneer de functie wordt geactiveerd, wordt de temperatuur van de koelkast automatisch ingesteld op -22°C.

De supervriesfunctie gebruiken:

- De functie kan worden gestart door lang op de TEMP-toets te drukken om het vriezercompartiment te selecteren en vervolgens snel op de TEMP-toets te drukken totdat het lampje van het pictogram voor supervriezen aan gaat. De functie kan ook worden ingeschakeld vanuit de app. Wanneer de functie is geactiveerd, is het ledlampje voor supervriezen altijd AAN.
- Druk op de toets TEMP om de supervriesfunctie te verlaten of schakel hem uit van de app.
- De supervriesfunctie stopt automatisch wanneer de functie meer dan 50 uur aan heeft gestaan.
- Wanneer het supervriezen stopt, gaat het pictogram op het bedieningspaneel uit en wordt het eerder ingestelde vriesniveau hersteld.

**Opmerking:** De superkoel- en supervriesfunctie kunnen niet gelijktijdig worden geactiveerd.

## **Eco-modus**

De Eco-modus kan worden geactiveerd om de prestaties van het apparaat te optimaliseren en tegelijkertijd voedsel het best te bewaren. De Eco-modus stelt de temperatuur automatisch in op 4°C in de koelkast en op -18°C in de vriezer.

De Eco-modus gebruiken:

- De functie kan vanaf het bedieningspaneel worden geactiveerd door op de 'mode'-toets te drukken totdat het pictogram van de Eco-modus aan gaat (een hoorbaar signaal bevestigt de keuze), of door de functie vanuit de app te selecteren. Wanneer de functie wordt geactiveerd, is het pictogram voor Eco-modus altijd AAN.
- Als u de Eco-modus wilt verlaten, schakelt u hem uit vanuit de app of kiest u een andere functie vanaf het bedieningspaneel.
- Wanneer de Eco-modus stopt, gaat het pictogram op het bedieningspaneel uit en worden de eerder ingestelde koelniveaus hersteld.



## Vakantiefunctie

De vakantiefunctie kan worden gebruikt om het energieverbruik van het apparaat te verminderen, als het niet regelmatig wordt gebruikt. Wanneer de functie aan is, zijn de ledlampjes uit (zelfs als de deur open is) en gaat de koelkast uit, terwijl de vriezer normaal blijft werken.

De vakantiefunctie gebruiken:

- De functie kan vanaf het bedieningspaneel worden geactiveerd door op de 'mode'-toets te drukken totdat het pictogram van de vakantiemodus aan gaat (een hoorbaar signaal bevestigt de keuze), of door de functie vanuit de app te selecteren. Wanneer de functie wordt geactiveerd, is het vakantiepictogram altijd AAN.
- Als u de vakantiefunctie wilt verlaten, schakelt u hem uit vanuit de app of kiest u een andere functie vanaf het bedieningspaneel.
- Wanneer de vakantiefunctie stopt, gaat het pictogram op het bedieningspaneel uit en worden de eerder ingestelde koelniveaus hersteld.

## Ontdooien

Wanneer de laag ijs in het diepvriesvak meer dan 3 mm dik is, wordt aanbevolen om te ontdooien, aangezien dit ijs het stroomverbruik verhoogt.

- Schakel het apparaat uit en trek de stekker uit het stopcontact.
- Verwijder het ingevroren voedsel en plaats dit tijdelijk op een koude plek.
- Laat de deur van de vriezer open en vang het water in de bodem op.
- Droog de binnenkant goed af als het ontdooien is voltooid.
- Steek de stekker weer in het stopcontact en stel de gewenste waarden in.
- Wacht een moment en plaats dan de ingevroren levensmiddelen opnieuw in het vak.

## Demo-modus

Als u naar de Demo-modus wilt gaan, met het ontgrendelde display, dan houdt u de wifitoets (B) ingedrukt en drukt u binnen 5 seconden 5 keer op de MODE-toets (C). Voer dezelfde handeling uit of zet de koelkast uit om de Demo-modus te verlaten.

## Foutcodes

- Communicatiefout

Als de ledlampjes voor 8°C, 6°C, 4°C, 3°C en 2°C opeenvolgend aan gaan, dan betekent dit dat er een communicatiefout is geweest tussen het hoofdbedieningspaneel en het displaypaneel. Neem contact op met de technische dienst om het probleem op te lossen.

## GEBRUIK WIFI

### Koppelingprocedure in de app

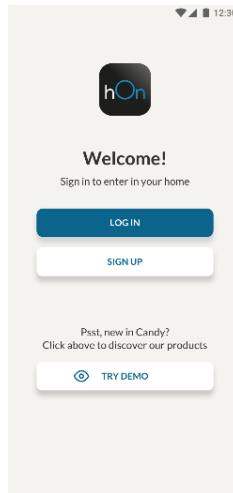
#### Stap 1

- Download de hOn-app in de stores



#### Stap 2

- Maak een account aan in de hOn-app of log in als u al een account heeft



#### Stap 3

- Volg de koppelingsinstructies in de hOn-app

## **Gebruik wifi**

Wanneer het display aan staat, start een korte druk op de wifitoets de synchronisatie en begint het wifilampje te knipperen. Volg de instructies in de app om de verbinding te voltooien.

Een lang geluidssignaal (1 sec) bevestigt dat de verbinding tot stand is gebracht en het ledlampje blijft branden.

Als de wifi nog niet is geconfigureerd wanneer de koelkast aan gaat, gaat deze automatisch naar de configuratiemodus en houdt deze status 30 minuten aan. De configuratiemodus gebruiken:

- Druk 2 sec. lang op de wifitoets. De koelkast gaat naar de wificonfiguriemodus en er klinkt een hoorbaar signaal. Het wifipictogram begint te knipperen.
- Volg de instructies in de app om de wifi te configureren (zie hierboven).
- Zodra de wifi is ingesteld en de verbinding tot stand is gebracht, gaat het wifipictogram aan en blijft branden.
- Na 30 minuten zonder enige handeling verlaat de wifi automatisch de configuratiemodus.
- Als de wifi al is geconfigureerd, zal automatisch opnieuw verbinding worden gemaakt volgens de configuratie-informatie.

Druk 2 sec. lang op de wifitoets om de wifi – Mode te resetten. De wifi wordt gereset en er klinkt een hoorbaar signaal. Daarna gaat de wifi automatisch naar de configuratiestatus (het wifipictogram begint opnieuw te knipperen).

Druk 3 sec. op de wifitoets om de wifi uit te schakelen.

## **Radio-module - Technische gegevens**

Frequentie tarief(OFR)	2400 MHz-2843.5 MHz
Kanaalfrequenties	2412...2472 MHz(stapgrootte 5 MHz)
Maximale kracht(EIRP)	100 mW

Het type radioapparatuur voldoet aan de richtlijn 2014/53/EU.

## PROBLEMEN OPLOSSEN

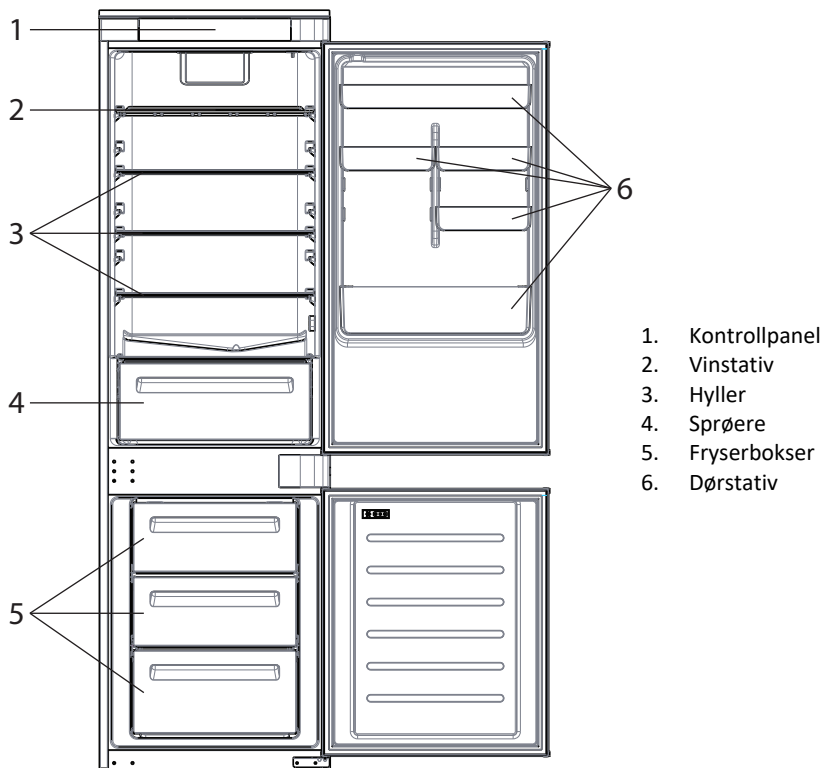
De lamp aan de binnenkant gaat niet aan.	<ul style="list-style-type: none"> <li>• Er is geen stroom.</li> </ul>	<ul style="list-style-type: none"> <li>• Het netsnoer zit niet goed in het stopcontact.</li> <li>• Controleer of het apparaat uitgeschakeld is (zie 'Temperatuurstelling').</li> <li>• Controleer of het stopcontact goed werkt (bijvoorbeeld met een ander elektrisch apparaat).</li> </ul>
	<ul style="list-style-type: none"> <li>• Holiday-modus is geactiveerd.</li> </ul>	<ul style="list-style-type: none"> <li>• Holiday-modus uitschakelen.</li> </ul>
De interne temperatuur van de koelkast en/of vriezer is niet koud genoeg.	<ul style="list-style-type: none"> <li>• De deuren zitten niet dicht.</li> </ul>	<ul style="list-style-type: none"> <li>• Controleer of de deur en rubbers goed afsluiten.</li> </ul>
	<ul style="list-style-type: none"> <li>• De deuren worden vaak geopend.</li> </ul>	<ul style="list-style-type: none"> <li>• Vermijd een tijdlang het onnodig openen van de deuren.</li> </ul>
	<ul style="list-style-type: none"> <li>• Verkeerde temperatuurstelling.</li> </ul>	<ul style="list-style-type: none"> <li>• Controleer de temperatuurstelling en stel indien mogelijk een lagere temperatuur in (zie 'Temperatuurstelling').</li> </ul>
	<ul style="list-style-type: none"> <li>• De koelkast en/of vriezer is/zijn te vol.</li> </ul>	<ul style="list-style-type: none"> <li>• Wacht tot de temperatuur van de koelkast/vriezer stabiel is.</li> <li>• Vul de koelkast en vriezer niet te vol.</li> </ul>
	<ul style="list-style-type: none"> <li>• De omgevingstemperatuur is te laag.</li> </ul>	<ul style="list-style-type: none"> <li>• Verplaats het apparaat naar een warmere plek of verwarm de huidige kamer.</li> </ul>
	<ul style="list-style-type: none"> <li>• Er zijn warme items opgeslagen.</li> </ul>	<ul style="list-style-type: none"> <li>• Laat items altijd afkoelen voordat u ze opbergt.</li> </ul>
Het voedsel in de koelkast bevest.	<ul style="list-style-type: none"> <li>• Verkeerde temperatuurstelling.</li> </ul>	<ul style="list-style-type: none"> <li>• Controleer de temperatuurstelling en verhoog indien mogelijk de temperatuur.</li> </ul>
	<ul style="list-style-type: none"> <li>• Voedsel in contact met de achterwand.</li> </ul>	<ul style="list-style-type: none"> <li>• Houd het voedsel uit de buurt van de achterwand van de koelkast.</li> </ul>
De onderkant van het koelkastgedeelte is nat of er zijn druppels aanwezig.	<ul style="list-style-type: none"> <li>• De afvoerslang kan verstopt zijn.</li> </ul>	<ul style="list-style-type: none"> <li>• Maak de afvoerslang schoon met een stok of iets dergelijks om het water te laten weglopen.</li> </ul>
Aanwezigheid van waterdruppels of vorst op de achterwand van de koelkast.	<ul style="list-style-type: none"> <li>• Afhankelijk van de functie vormen zich waterdruppels of rijp op de achterwand van de koelkast tijdens het gebruik.</li> </ul>	<ul style="list-style-type: none"> <li>• Het is geen defect.</li> </ul>
	<ul style="list-style-type: none"> <li>• Er zijn warme items opgeslagen.</li> </ul>	<ul style="list-style-type: none"> <li>• Laat items altijd afkoelen voordat u ze opbergt.</li> </ul>
	<ul style="list-style-type: none"> <li>• Er zijn open voedselcontainers of vloeistoffen.</li> </ul>	<ul style="list-style-type: none"> <li>• Dek voedsel en vloeistoffen altijd af.</li> </ul>
	<ul style="list-style-type: none"> <li>• De deuren zitten niet dicht.</li> </ul>	<ul style="list-style-type: none"> <li>• Controleer of de deur en rubbers goed afsluiten.</li> </ul>
	<ul style="list-style-type: none"> <li>• De deuren worden vaak geopend.</li> </ul>	<ul style="list-style-type: none"> <li>• Vermijd een tijdlang het onnodig openen van de deuren.</li> </ul>
Aanwezigheid van water in de groentelade.	<ul style="list-style-type: none"> <li>• Gebrek aan luchtcirculatie.</li> </ul>	<ul style="list-style-type: none"> <li>• Controleer of het apparaat niet te vol is.</li> </ul>
	<ul style="list-style-type: none"> <li>• Groenten en fruit met te veel vocht.</li> </ul>	<ul style="list-style-type: none"> <li>• Verpak het fruit en de groenten in plastic materialen, zoals huishoudfolie, zakken of bakjes.</li> </ul>
De motor draait voortdurend.	<ul style="list-style-type: none"> <li>• De deuren zitten niet dicht.</li> </ul>	<ul style="list-style-type: none"> <li>• Zorg dat de deuren dicht zitten en controleer of de rubbers goed afsluiten.</li> </ul>
	<ul style="list-style-type: none"> <li>• De deuren worden vaak geopend.</li> </ul>	<ul style="list-style-type: none"> <li>• Vermijd een tijdlang het onnodig openen van de deuren.</li> </ul>
	<ul style="list-style-type: none"> <li>• De omgevingstemperatuur is heel hoog.</li> </ul>	<ul style="list-style-type: none"> <li>• Controleer de omgevingstemperatuur binnen het bereik ligtdat wordt vermeld in de specificaties op het label van het apparaat.</li> <li>• Stel het displayscherm/de thermostaat in op een warmere temperatuur.</li> </ul>
	<ul style="list-style-type: none"> <li>• Het apparaat is enige tijd uitgeschakeld geweest (geen stroom).</li> </ul>	<ul style="list-style-type: none"> <li>• Het duurt normaal 8–12 uur voordat het apparaat volledig is gekoeld.</li> </ul>
Het ingevroren voedsel is aan het ontdoien.	<ul style="list-style-type: none"> <li>• De omgevingstemperatuur is te laag.</li> </ul>	<ul style="list-style-type: none"> <li>• Verplaats het apparaat naar een warmere plek of verwarm de huidige kamer.</li> </ul>
	<ul style="list-style-type: none"> <li>• De deur van de vriezer zit niet dicht.</li> </ul>	<ul style="list-style-type: none"> <li>• Zorg ervoor dat de deur dicht zit en dat het rubber goed afsluit.</li> </ul>
Koelkastdeuralarm.	<ul style="list-style-type: none"> <li>• Het koelkastdeuralarm (pieptoon) wordt geactiveerd wanneer de deur langer dan 3 minuten open blijft staan.</li> </ul>	<ul style="list-style-type: none"> <li>• Laat de deur niet open staan als dat niet nodig is. De pieptoon stopt wanneer de deur weer is gesloten.</li> </ul>
Het apparaat maakt geluiden zoals geborrel, gezoem, geklik, gekraak.	<ul style="list-style-type: none"> <li>• Geen stringen. Er draait een motor, bijvoorbeeld een koeleenheid of ventilator. Het koelmiddel stroomt in de leidingen. Motor, schakelaars en magneetkleppen worden in- of uitgeschakeld.</li> </ul>	<ul style="list-style-type: none"> <li>• Geen actie nodig.</li> </ul>
	<ul style="list-style-type: none"> <li>• Het apparaat staat niet op een vlakke ondergrond.</li> </ul>	<ul style="list-style-type: none"> <li>• Stei de pootjes af om het apparaat waterpas te zetten.</li> </ul>
	<ul style="list-style-type: none"> <li>• Het apparaat raakt een voorwerp eromheen.</li> </ul>	<ul style="list-style-type: none"> <li>• Verwijder voorwerpen rondom het apparaat.</li> </ul>
Het apparaat koelt niet, de temperatuur- en verlichtingsindicatoren branden.	<ul style="list-style-type: none"> <li>• De demomodus is geactiveerd.</li> </ul>	<ul style="list-style-type: none"> <li>• DEMO-modus uitschakelen.</li> </ul>
Veel ijs en rijp in het vriezergedeelte.	<ul style="list-style-type: none"> <li>• De etenswaren zijn niet goed verpakt.</li> </ul>	<ul style="list-style-type: none"> <li>• Pak alles altijd goed in.</li> </ul>
	<ul style="list-style-type: none"> <li>• Een deur/lade van het apparaat zit niet goed dicht.</li> </ul>	<ul style="list-style-type: none"> <li>• Sluit de deur/lade.</li> </ul>
	<ul style="list-style-type: none"> <li>• De deur/lade is te vaak of te lang geopend.</li> </ul>	<ul style="list-style-type: none"> <li>• Open de deur/lade niet te vaak.</li> </ul>
	<ul style="list-style-type: none"> <li>• De deur-/laderubbers zijn vuil, versleten, gebarsen of niet goed op elkaar afgestemd.</li> </ul>	<ul style="list-style-type: none"> <li>• Reinig de rubbers van de deur/lade of vervang deze door een nieuwe.</li> </ul>
	<ul style="list-style-type: none"> <li>• Iets aan de binnenkant voorkomt dat de deur/lade goed sluit.</li> </ul>	<ul style="list-style-type: none"> <li>• Verplaats de planken, deurrekken of interne containers zodat de deur/lade kan worden gesloten.</li> </ul>
De zijkanalen van het apparaat zijn warm.	<ul style="list-style-type: none"> <li>• Dit is normaal.</li> </ul>	

# Sammendrag

---

PRODUKTBESKRIVELSE .....	2
BRUK .....	3
Bruk .....	3
Betjening av skjermberedskapsmodus.....	4
Modi .....	4
Temperaturinnstilling for kjøleskap .....	4
Temperaturinnstilling for fryseren.....	4
Tilpasset temperatur.....	5
Super Cool-funksjon .....	5
Super Freeze-funksjon .....	6
ØKO-modus .....	6
Feriefunksjon .....	7
Avriming .....	7
Demo-modus.....	7
Feilkoder.....	7
I app-paringsprosedyren .....	8
Wi-Fi-bruk .....	9
FEILSØKING .....	10

## PRODUKTBESKRIVELSE



\* Den mest energisparende konfigurasjonen krever at skuffer, matboks og hyller skal være plassert i produktet og viften må være av. Se bildene ovenfor.

\*\* Bildene ovenfor er bare ment som referanse. Den faktiske konfigurasjonen vil avhenge av det fysiske produktet eller den fysiske erklæringen fra distributøren.

### Plassbehov

Enhetens tilkoblingsdør må være i stand til å være helt åpen, som vist. Ekstra nok plass til praktisk åpning av dører og skuffer.

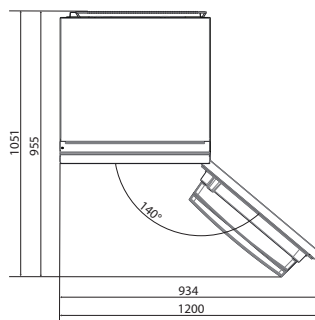
Hold en avstand på minst 50 mm mellom sideveggene til produktet og tilstøtende deler.

540 mm Skap: Bredde: 934 mm

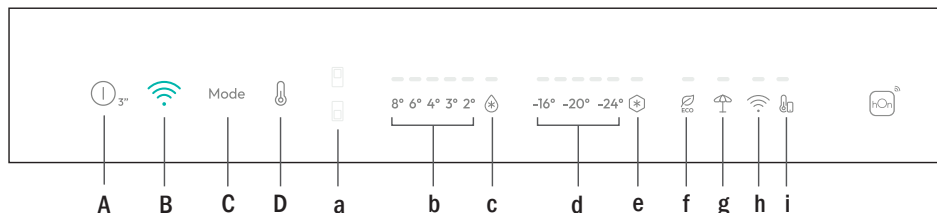
Dybde: 955 mm

700 mm Skap: Bredde: 1200 mm

Dybde: 1051 mm



## BRUK



- A. AV/PÅ-tasten, trykk i 3 sekunder. Apparatet slår seg på med en lang akustisk tilbakemelding (1 sek).
- B. Wi-Fi-nøkkle, brukes til å koble til apparatet
- C. Mode-tasten, brukes til å velge mellom kjøleskap, fryser, øko og ferie
- D. TEMP-tasten, brukes til å velge mellom temperaturnivåer (også Super Cool og Super Freeze)
  - a. Kjøleskap/fryser-områdeikon, viser hvilket rom av apparatet som er valgt
  - b. Kjøleskaptemperaturnivåer, viser den valgte temperaturen
  - c. Super Cool-ikon viser om super kjøling-funksjonen er aktivert.
  - d. Frysertemperaturnivåer viser den valgte temperaturen i fryseren
  - e. Super Freeze-ikonet viser om super frysing-funksjonen er aktivert
  - f. Øko-modusikon viser om økomodus er aktivert
  - g. Feriefunksjon-ikon viser om feriefunksjonen er aktivert
  - h. Wi-Fi-ikon viser om Wi-Fi fungerer og apparatet er koblet til
  - i. Tilpasset temperatur-ikon viser om temperaturen er valgt av appen

### Bruk

- Koble til apparatet og det slås automatisk på med en lang akustisk tilbakemelding (1 sek.) Alle LED-lamper slås på (1 sek), deretter lyser LED for kjøleskapstemperatur og fryser fast.
- Temperaturen settes automatisk til 4 °C i kjøleskapet og -18 °C i fryseren.  
**MERK:** Vent minst 2/3 timer før du tilsetter mat på apparatet, for å være sikker på temperaturen inni kjøleskapet.
- Ved strømbrudd blir det siste innstilte kjølenivået gjenopprettet.
- Hvis du vil gjenopprette standardinnstillingen, holder du dørbryteren inne i enheten samtidig som du trykker på PÅ/AV-knappen i 5 sekunder.
- Under normale driftsforhold (på våren og høsten) anbefales det å stille inn temperaturen på 4 °C. Om sommeren eller når omgivelsestemperaturen er høy, anbefales det å angi temperatur ved 6~8 °C, for å garantere kjøleskap- og frysetemperaturer og redusere den kontinuerlige kjøretiden, og om vinteren eller når omgivelsestemperaturen er lav, anbefales det å angi temperatur ved 3~4 °C for å unngå hyppig start/stopp av maskinen.

## Betjening av skjermberedskapsmodus

- Hvis døren er lukket -> display i standby (alle lysdioder slått av)
- Hvis døren er åpen -> gjeldende kjøletemperatur-LED og frysertemperatur-LED er slått på (fast).
- ECO-modus-LED + Holiday-modus-LED er slått på (fast) hvis valgt tidligere.
- Skjermen er klar til å motta innganger (trenger ikke aktiveres ved berøring).

## Modi

Modusknappen brukes til å bytte mellom de forskjellige modusene.

Den tilhørende lysdioden tennes og valget bekreftes umiddelbart (ingen blinking).

Kort akustisk tilbakemelding bekrefter valget.

## Temperaturinnstilling for kjøleskap

Når displaypanelet er på, velg "kjøletemperaturinnstilling" ved å trykke på MODE-knappen.

LED-lampen for kjøleskapsområdet tennes.

Trykk på "TEMP"-knappen til ønsket temperatur er innstilt.

Temperaturverdien endres på denne måten: 8 °C -> 6 °C -> 4 °C -> 3 °C -> 2 °C -> superkjøling -> 8 °C ...

Den tilhørende lysdioden tennes og valget bekreftes umiddelbart (ingen blinking).

Kort akustisk tilbakemelding bekrefter valget.

## Temperaturinnstilling for fryseren

Når displaypanelet er på, velg "frysetemperaturinnstilling" ved å trykke på MODE-knappen.

Lysdioden for fryseområdet tennes.

Trykk på "TEMP"-knappen til ønsket temperatur er innstilt.

Temperaturverdien endres på denne måten: -16 °C -> -18 °C -> -20 °C -> -22 °C -> -24 °C -> Superfrysing -> -16 °C ...

Den tilhørende lysdioden tennes og valget bekreftes umiddelbart (ingen blinking).

Kort akustisk tilbakemelding bekrefter valget.

## Å merke seg:

Bytte fra kjøleskap til fryserom og omvendt skjer umiddelbart når brukeren trykker på MODE-knappen, og valget er umiddelbart aktivt

Temperaturlampene blinker ikke



## Tilpasset temperatur

Det er mulig å velge en temperatur fra 2 °C til 8 °C i kjøleskapet, og fra -16 °C til -24 °C i fryseren. Når temperaturen er valgt av appen, slås det tilpassede temperaturikonet på, mens alle temperatur-LED-lysene i det berørte rommet slås av (dvs. hvis kjøletemperatur er valgt fra appen, slås LED-lysene fra 2 °C til 8 °C av).

Hvis frysetemperaturen velges fra appen, slås LED-lysene fra -16 °C til -24 °C av).

Hvis bare ett enkelt område (fryser eller kjøleskap) har tilpasset temperatur, endres ikke temperaturvalget i det andre området, og LED-lampen for den valgte temperaturen i dette området er på.

Lang akustisk tilbakemelding (1 sek) bekrefter at tilkoblingen er fullført.

## Super Cool-funksjon

Det anbefales å slå på Super Cool-funksjonen hvis en stor mengde næringsmidler bør lagres (for eksempel etter kjøpet). Super-Cool-funksjonen akselererer kjølingen av fersk mat og beskytter varene som allerede er lagret mot uønsket oppvarming. Når funksjonen er aktivert, stilles temperaturen i kjøleskapet automatisk til 2 °C.

Slik bruker du Super Cool-funksjonen:

- Funksjonen kan aktiveres ved å trykke lenge på TEMP-tasten for å velge kjølerommet, og deretter raskt trykke på TEMP-tasten til Super Cool-LED-ikonet er slått på, eller det kan slås på fra appen. Når funksjonen er aktivert, er Super Cool-LED-en alltid PÅ.
- Hvis du vil gå ut av funksjonen Super Cool, trykker du på TEMP-tasten eller slår den av fra appen.
- Super Cool-funksjonen avsluttes automatisk når funksjonen har vart i mer enn 12 timer.
- Når Super Cool slutter, slås ikonet på kontrollpanelet av, og det forrige innstilte kjølenivået blir gjenopprettet.

**Merk:** Super Cool- and Super Freeze-funksjonen kan ikke aktiveres samtidig.

## **Super Freeze-funksjon**

Super Freeze-funksjonen akselererer frysingen av fersk mat og beskytter varene som allerede er lagret mot uønsket oppvarming. Hvis store mengder matvarer må fryses, anbefales det å sette Super Freeze-funksjonen på 24 timer før bruk. Når funksjonen er aktivert, stilles temperaturen automatisk til -22 °C.

Slik bruker du Super Freeze-funksjonen:

- Funksjonen kan startes ved å trykke lenge på TEMP-tasten for å velge fryserommet, og deretter hurtig trykker du på TEMP-tasten til LED-ikonet Super Freeze er slått på, eller det kan slås på fra appen. Når funksjonen er aktivert, er Super Freeze-LED-en alltid PÅ.
- Hvis du vil gå ut av funksjonen Super Freeze, trykker du på TEMP-tasten eller slår den av fra appen.
- Funksjonen Super Freeze avsluttes automatisk når funksjonen har holdt i mer enn 50 timer.
- Når Super Freeze slutter, slås det tilhørende ikonet på kontrollpanelet av, og det forrige innstilte kjølenivået blir gjenopprettet.

**Merk:** Super Cool- and Super Freeze-funksjonen kan ikke aktiveres samtidig.

## **ØKO-modus**

Øko-modus kan aktiveres for å optimalisere ytelsen til apparatet, mens det får den beste lagringen av mat. Øko-modus stiller automatisk inn temperaturen ved 4 °C i kjøleskapet og ved -18 °C i fryseren.

Slik bruker du Øko-modus:

- Funksjonen kan aktiveres fra kontrollpanelet ved å trykke på knappen "mode" inntil ikonet for Øko-modus slås på (et akustisk signal bekrefter valget) eller ved å velge funksjonen i appen. Når funksjonen er aktivert, er ikonet for Øko-modus alltid PÅ.
- For å avslutte Øko, slår den av fra appen eller velg en annen funksjon fra kontrollpanelet.
- Når Øko-modus slutter, slås det tilhørende ikonet på kontrollpanelet av, og det forrige innstilte kjølenivået blir gjenopprettet.

## Feriefunksjon

Feriefunksjonen kan brukes til å redusere apparatets energiforbruk når det ikke brukes regelmessig. Når funksjonen er på, vil LED-lampene være av (selv om døren er åpen) og kjøleskapet vil fungere i lav strømforbruksmodus, mens fryseren fortsetter å fungere normalt.

Slik bruker du feriefunksjonen:

- Funksjonen kan aktiveres fra kontrollpanelet ved å trykke på knappen "mode" inntil ikonet for ferie slås på (et akustisk signal bekrefter valget) eller ved å velge funksjonen i appen. Når funksjonen er aktivert, er ikonet for ferie alltid PÅ.
- For å gå ut av funksjonen kan du slå den av fra appen eller velge en annen funksjon fra kontrollpanelet.
- Når feriefunksjonen slutter, slås det tilhørende ikonet på kontrollpanelet av, og det forrige innstilte kjølenivået blir gjenopprettet.

## Avriming

Når laget med frost i fryserommet overstiger 3 mm, anbefales det å fortsette med avrimingen etter hvert som det øker energiforbruket.

- Slå av apparatet og koble fra strømledningen.
- Fjern frossen mat og sett dem midlertidig på et kjølig sted.
- La frysedøren være åpen, og samle vannet på bunnen av produktet.
- Tørk interiøret grundig når avrimingen er fullført.
- Koble til strømledningen igjen, og angi ønskede verdier.
- Vent et øyeblikk og legg inn igjen den frosne maten.

## Demo-modus

For å gå til demo-modus, må du holde nede Wi-Fi-tasten (B) på skjermen og trykke på MODE-tasten (C) 5 ganger innen 5 sekunder. For å avslutte demo-modus, utfører du samme operasjon eller slår av kjøleskapet.

## Feilkoder

- Kommunikasjonsfeil

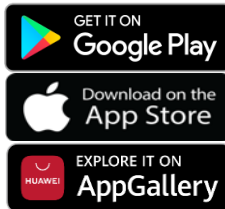
LED-lampene 8 °C – 6 °C – 4 °C – 3 °C – 2 °C slås på sekvensielt. Det betyr at det har vært en kommunikasjonsfeil mellom hovedkontrollkortet og displaykortet. Ta kontakt med teknisk assistanse for å løse problemet

## WI-FI-BRUK

### I app-paringsprosedyren

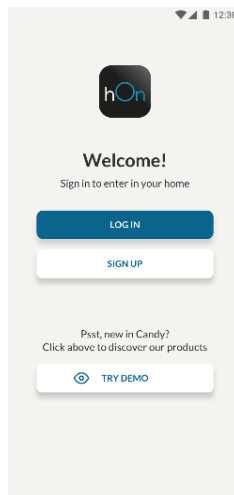
#### Trinn 1

- Last ned hOn-appen fra butikkene



#### Trinn 2

- Opprett kontoen din på hOn-appen, eller logg på hvis du allerede har en konto



#### Trinn 3

- Følg instruksjonene for paring i hOn-appen

## Wi-Fi-bruk

Når skjermpanelet er på, starter et kort trykk på Wi-Fi-knappen synkroniseringen og Wi-Fi-LED-en begynner å blinke. Følg instruksjonene på appen for å fullføre tilkoblingen.

Lang akustisk tilbakemelding (1 sek) bekrefter at forbindelsen er opprettet og at LED-en forblir fast.

Dersom Wi-Fi ikke er konfigurert ennå, når kjøleskapen slås på, går det automatisk inn i konfigurasjonsmodus og beholder denne statusen i 30 minutter. Slik bruker du konfigurasjonsmodus:

- Trykk på Wi-Fi-tasten i 2 s, kjøleskapet går inn i Wi-Fi-konfigurasjonsmodus og det avgis et lydsignal. Wi-Fi-ikonet begynner å blinke.
- Følg appinstruksjonene for å konfigurere Wi-Fi (se ovenfor).
- Så snart Wi-Fi er konfigurert og tilkoblingen er opprettet, er Wi-Fi-ikonet på og fast.
- Etter 30 minutter uten å utføre noen operasjon vil Wi-Fi automatisk gå ut av konfigurasjonsmodus.
- Dersom Wi-Fi allerede er konfigurert, vil det automatisk koble seg til igjen i henhold til konfigurasjonsinformasjonen.

Hvis du vil tilbakestille Wi-Fi, trykker du lenge på Wi-Fi—Mode tasten i 2 s, Wi-Fi tilbakestilles og det avgis et akustisk signal. Etter dette går Wi-Fi automatisk inn i konfigurasjonsstatusen (ikonet Wi-Fi begynner å blinke igjen).

Slå av Wi-Fi ved å trykke på Wi-Fi-tasten for 3s.

## Radio-modul - Tekniske data

Frekvens Rate (OFR)	2400 MHz-2843.5 MHz
Kanal Frekvens	2412...2472 MHz(Trinnstørrelse 5 MHz)
Maksimal kraft(EIRP)	100 mW

Radioutstyr Typen er i samsvar med direktivet 2014/53/EU.

## FEILSØKING

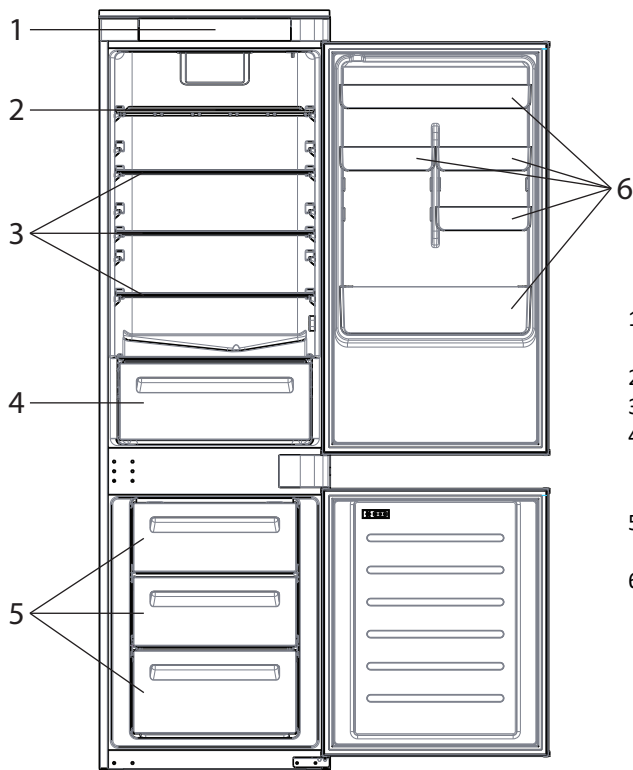
Den innvendige lyspæren tennes ikke.	• Ingen strøm.	• Strømkabelen er ikke riktig plugget inn. • Sjekk om apparatet er slått av (se Temperaturjustering). • Kontroller at stikkkontakten fungerer som den skal (f.eks. med en annen elektrisk enhet).
	• Holiday-modus er aktivert.	• Deaktiver Holiday-modus.
Innvendig temperatur i kjøleskapet og/eller fryseren er ikke kald nok.	• Dørene er ikke lukket.	• Sjekk at døren og pakningene lukker ordentlig.
	• Dørene åpnes ofte.	• Unngå å åpne dørene unødvendig på en stund.
	• Feil temperaturinnstilling.	• Kontroller temperaturinnstillingen og still inn en lavere temperatur om mulig (se Temperaturjustering).
	• Kjøleskapet og/eller fryseren er for fulle.	• Vent til temperaturen i kjøleskapet/fryseren har stabilisert seg. • Unngå å fylle kjøleskapet og fryseren for mye.
	• Omgivelsestemperaturen er for lav.	• Flytt enheten til et varmere sted eller varm opp det aktuelle rommet.
	• Varme gjenstander har blitt lagret.	• La alltid gjenstander avkjøles før du oppbevarer dem.
Maten i kjøleskapet fryser.	• Feil temperaturinnstilling.	• Kontroller temperaturinnstillingen og øk temperaturen om mulig.
	• Mat i kontakt med bakveggen.	• Hold maten unna bakveggen på kjøleskapet.
Bunnen av kjøleseksjonen er våt eller det eksisterer vanndråper.	• Avløpsslangen kan være tilstoppet.	• Rengjør avløpsslangen med en pinne eller lignende for å la vannet renne av.
Tilstedeværelse av vanndråper eller frost på bakveggen av kjøleskapet.	• Avhengig av funksjonen dannes det vanndråper eller frost på bakveggen av kjøleskapet under drift.	• Det er ikke en defekt.
	• Varme gjenstander har blitt lagret.	• La alltid gjenstander avkjøles før du oppbevarer dem.
	• Det eksisterer åpne matbeholdere eller væsker.	• Dekk alltid til mat og væsker.
	• Dørene er ikke lukket.	• Sjekk at døren og pakningene lukker ordentlig.
	• Dørene åpnes ofte.	• Unngå å åpne dørene unødvendig på en stund.
Tilstedeværelse av vann i grønnsaksskuffen.	• Mangel på luftsirkulasjon.	• Kontroller at apparatet ikke er for fullt.
	• Grønnsaker og frukt med for mye fuktighet.	• Pakk frukten og grønnsakene inn i plastmateriale, f.eks. klebefilm, poser eller beholdere.
Motoren går kontinuerlig.	• Dørene er ikke lukket.	• Sørg for at dørene er lukket og kontroller at tetningene lukker ordentlig.
	• Dørene åpnes ofte.	• Unngå å åpne dørene unødvendig på en stund.
	• Omgivelsestemperaturen er veldig høy.	• Kontroller at omgivelsestemperaturen er innenfor området angitt i spesifikasjonene på apparatets merkelapp. • Still inn skjermen/termostaten til en varmere temperatur.
	• Apparatet har vært av (ingen strøm) en stund.	• Det tar normalt 8–12 timer for apparatet å avkjøles helt.
Den frosne maten tiner.	• Omgivelsestemperaturen er for lav.	• Flytt enheten til et varmere sted eller varm opp det aktuelle rommet.
	• Døren til fryseren er ikke lukket.	• Sørg for at døren er lukket og at pakningen tetter ordentlig.
Kjøleskapsdøralarm.	• Kjøleskapsdøralarm (akustisk pipetone) aktiveres når døren står åpen i mer enn tre minutter.	• Unngå å la døren stå åpen når det ikke er nødvendig. Pipet opphører når døren lukkes.
Apparatet lager lyder som gurgling, summing, klikking, knirking.	• Ingen sammenbrudd. En motor går, f.eks. kjøleaggregat, vifte. Kuldemediet strømmer inn i rørene. Motor, brytere og magnetventiler slås på eller av.	• Ingen handling nødvendig.
	• Apparatet er ikke plassert på jevnt underlag. • Apparatet berører en gjenstand rundt seg.	• Juster føttene for å nivellere apparatet. • Fjern gjenstander rundt apparatet.
Apparatet avkjøles ikke, temperatur- og lysindikatorene er på.	• Demomodus er aktivert.	• Deaktiver DEMO-modus.
Sterk is og frost i frysedelen.	• Varene var ikke tilstrekkelig pakket.	• Pakk alltid varene godt.
	• En dør/skuff til apparatet er ikke tett lukket.	• Lukk døren/skuffen.
	• Døren/skuffen har vært åpnet for ofte eller for lenge.	• Ikke åpne døren/skuffen for ofte.
	• Dør-/skuffepakningen er skitten, slitt, sprukket eller feilaktig.	• Rengjør dør-/skuffepakningen eller bytt den ut med en ny.
	• Noe på insiden hindrer døren/skuffen i å lukke ordentlig.	• Flytt hyllene, darhyllene eller innvendige beholdere for å la døren/skuffen lukkes.
Sidene på apparatet er varme.	• Dette er normalt.	

# Podsumowanie

---

OPIS PRODUKTU.....	2
UŻYTKOWANIE .....	3
Użytkowanie .....	3
Zarządzanie trybem czuwania wyświetlacza.....	4
Tryby.....	4
Ustawienia temperatury chłodziarki .....	4
Ustawienia temperatury zamrażarki .....	4
Niestandardowa temperatura .....	5
Funkcja Super Cool.....	5
Funkcja Super Freeze .....	6
Tryb Eco.....	6
Funkcja Holiday .....	7
Rozmrażanie .....	7
Tryb demonstracyjny .....	7
Kody usterki .....	7
Procedura parowania aplikacji.....	8
Użycie Wi-Fi .....	9
ROZWIĄZYWANIE PROBLEMÓW .....	10

## OPIS PRODUKTU



1. Panel sterowania
2. Półka na wino
3. Półki
4. Pojemnik na owoce i warzywa
5. Pojemniki do zamrażarek
6. Kosz na drzwiach

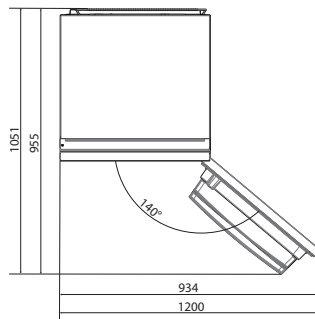
\* Najbardziej energooszczędna konfiguracja wymaga, aby szuflady, pojemnik na żywność i półki były ustawione w produkcie, a wentylator był wyłączony, proszę skorzystać z powyższych zdjęć.

\*\* Zdjęcia powyżej są tylko referencyjne. Rzeczywista konfiguracja będzie zależała od fizycznego produktu lub oświadczenia dystrybutora.

### Wymagana przestrzeń

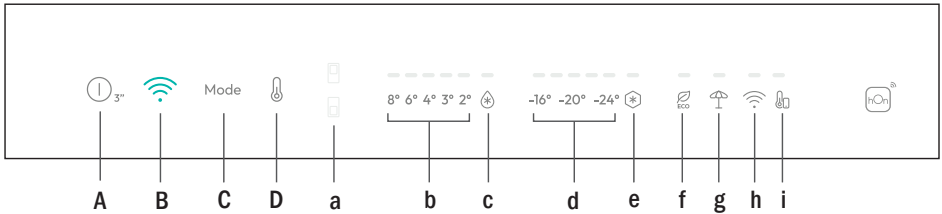
Drzwi urządzenia muszą się ałkowiec otwierać, jak pokazano na rysunku. Wygospodaruj wystarczającą przestrzeń do otwarcia drzwi i szuflad. Zachowaj odległość co najmniej 50 mm między bocznymi ścianami produktu a sąsiednimi częściami.

540 mm Szafka: Szerokość: 934 mm  
Głębokość: 955 mm  
700 mm Szafka: Szerokość: 1200 mm  
Głębokość: 1051 mm





# UŻYTKOWANIE



- A. Przycisk Wł./WYł. naciskać przez 3 sekundy. Urządzenie włącza się z długim sygnałem dźwiękowym (1 sek.).
- B. Przycisk Wi-Fi służy do podłączenia urządzenia
- C. Przycisk Mode służy do wyboru pomiędzy Lodówka, Zamrażarka, Eko i Wakacje
- D. Przycisk TEMP służy do wyboru między poziomami temperatur (również Super Cool i Super Freeze)
- a. Ikona obszaru chłodziarki/zamrażarki pokazuje, która komora urządzenia jest wybrana.
- b. Poziomy temperatury lodówki pokazują wybraną temperaturę
- c. Ikona Super Cool pokazuje, czy funkcja Super Cool jest aktywna
- d. Poziomy temperatury zamrażarki pokazują wybraną temperaturę w zamrażarce
- e. Ikona Super Freeze pokazuje, czy funkcja Super Freeze jest aktywna
- f. Ikona trybu ekologicznego pokazuje, czy tryb ekologiczny jest włączony
- g. Ikona funkcji Holiday pokazuje, czy funkcja wakacyjna jest aktywna
- h. Ikona Wi-Fi pokazuje, czy sieć Wi-Fi działa i czy urządzenie jest podłączone
- i. Niestandardowa ikona temperatury pokazuje, czy temperatura została wybrana przez aplikację

## Użytkowanie

- Podłącz urządzenie i włączy się ono automatycznie z długim sygnałem dźwiękowym (1 sek.) Wszystkie diody LED włączą się (1 sek.), a następnie dioda LED temperatury lodówki i dioda LED zamrażarki zaświecą się na stałe.
- Temperatura jest automatycznie ustawiana na 4 °C w lodówce i -18 °C w zamrażarce.  
**UWAGA:** odczekaj co najmniej 2/3 godziny przed włożeniem żywności do urządzenia, aby zapewnić odpowiednią temperaturę wewnątrz lodówki.
- W przypadku zaniku zasilania przywracany jest ostatnio ustawiony poziom chłodzenia.
- Aby przywrócić ustawienia domyślne, należy przytrzymać wciśnięty przełącznik drzwi wewnątrz lodówki i jednocześnie nacisnąć przycisk Wł./WYł. przez 5 sekund.
- W normalnych warunkach pracy (wiosną i jesienią), zaleca się ustawienie temperatury na 4 °C. W lecie gdy temperatura otoczenia jest wysoka, zaleca się ustawienie temperatury na 6~8 °C, aby zagwarantować temperaturę w lodówce i zamrażarce oraz skrócić czas ciągłej pracy lodówki; natomiast w zimie gdy temperatura otoczenia jest niska, zaleca się ustawienie temperatury na 3~4 °C, aby uniknąć częstego uruchamiania/zatrzymywania lodówki.

## Zarządzanie trybem czuwania wyświetlacza

- Jeśli drzwi są zamknięte -> wyświetlacz w trybie czuwania (wszystkie diody LED wyłączone)
- Jeśli drzwi są otwarte -> dioda LED bieżącej temperatury chłodziarki i zamrażarki są włączone (stałe).
- Dioda LED trybu ECO + dioda LED trybu Holiday są włączone (stałe), jeśli zostały wcześniej wybrane.
- Wyświetlacz jest gotowy do przyjmowania danych wejściowych (nie trzeba go aktywować dotykiem).

### Tryby

Przycisk trybu służy do przełączania między różnymi trybami:

Ustawienie temperatury chłodziarki → Ustawienie temperatury zamrażarki → Tryb ECO → Tryb Holiday → Ustawienie temperatury w chłodzarnie...

Odpowiednia dioda LED zaświeci się, a wybór zostanie natychmiast potwierdzony (bez migania). Krótka informacja akustyczna potwierdza wybór.

### Ustawienia temperatury chłodziarki

Gdy panel wyświetlacza jest włączony, wybierz „ustawienie temperatury chłodziarki” naciskając przycisk MODE. Włączy się dioda LED obszaru chłodziarki.

Naciskaj przycisk „TEMP”, aż zostanie ustawiona żądana temperatura.

Wartość temperatury zmienia się w następujący sposób: 8°C -> 6°C -> 4°C -> 3°C -> 2°C -> super chłodzenie -> 8°C... Odpowiednia dioda LED zaświeci się, a wybór zostanie natychmiast potwierdzony (bez migania).

Krótką informacją akustyczną potwierdza wybór.

### Ustawienia temperatury zamrażarki

Gdy panel wyświetlacza jest włączony, wybierz „ustawienie temperatury zamrażarki” naciskając przycisk MODE. Włączy się dioda LED obszaru zamrażarki.

Naciskaj przycisk „TEMP”, aż zostanie ustawiona żądana temperatura.

Wartość temperatury zmienia się w następujący sposób: -16°C -> -18°C -> -20°C -> -22°C -> -24°C -> Super zamrażanie -> -16°C...

Odpowiednia dioda LED zaświeci się, a wybór zostanie natychmiast potwierdzony (bez migania). Krótka informacja akustyczna potwierdza wybór.

### Należy zauważyć:

Przełączanie z chłodziarki do zamrażarki i odwrotnie jest natychmiastowe, gdy użytkownik naciska przycisk MODE, a wybór jest natychmiast aktywny

Diody LED temperatury nie migają

## Niestandardowa temperatura

Można wybrać temperaturę od 2°C do 8°C w chłodziarce i od -16°C do -24°C w zamrażarce. Gdy temperatura zostanie wybrana przez aplikację, zapali się ikona temperatury dostosowanej do potrzeb, podczas gdy wszystkie kontrolki LED temperatury w danym przedziale zostaną wyłączone (np. gdy temperatura chłodziarki zostanie wybrana przez aplikację, kontrolki LED od 2°C do 8°C zostaną wyłączone).

Jeśli temperatura zamrażarki jest wybierana z poziomu aplikacji, diody LED od -16 °C do -24 °C są wyłączone.

Jeżeli tylko jedna strefa (zamrażarka lub chłodziarka) ma ustawioną temperaturę, wybór temperatury dla pozostałych stref nie jest zmieniany, a dioda LED wybranej temperatury dla tej strefy pozostaje zapalona.

Długi dźwięk akustyczny (1 sek.) potwierdza nawiązanie połączenia.

## Funkcja Super Cool

Zaleca się włączenie funkcji Super Cool w przypadku przechowywania dużej ilości żywności (np. po zakupie). Funkcja Super-Cool przyspiesza chłodzenie świeżej żywności i chroni już przechowywane produkty przed niepożądanym ogrzaniem. Gdy funkcja jest aktywna, temperatura w lodówce jest automatycznie ustawiana na 2 °C.

Jak korzystać z funkcji Super Cool:

- Funkcję można aktywować poprzez długie naciśnięcie przycisku TEMP, aby wybrać komorę chłodziarki, a następnie szybkie naciśnięcie przycisku TEMP, aż do zapalenia się ikony Super Cool lub można ją włączyć z poziomu aplikacji. Gdy funkcja jest aktywna, dioda LED Super Cool jest zawsze włączona.
- Aby wyłączyć funkcję Super Cool, naciśnij przycisk TEMP lub wyłącz ją z poziomu aplikacji.
- Funkcja Super Cool kończy się automatycznie, gdy trwa dłużej niż 12 godzin.
- Gdy funkcja Super Cool zakończy działanie, ikona na panelu sterowania jest wyłączona i przywrócony zostanie poprzednio ustawiony poziom chłodzenia.

**Uwaga:** Funkcji Super Cool i Super Freeze nie można aktywować jednocześnie.

## **Funkcja Super Freeze**

Funkcja Super Freeze przyspiesza chłodzenie świeżej żywności i chroni już przechowywane produkty przed niepożądanym ogrzaniem. Jeśli trzeba zamrozić dużą ilość żywności, zaleca się włączenie funkcji Super-Freeze na 24 godziny przed użyciem. Gdy funkcja jest aktywna, temperatura w lodówce jest automatycznie ustawiana na -22 °C.

Jak korzystać z funkcji Super Freeze:

- Funkcję można uruchomić przez długie naciśnięcie przycisku TEMP, aby wybrać komorę zamrażarki, a następnie szybkie naciśnięcie przycisku TEMP, aż do włączenia ikony Super Freeze, lub można ją włączyć z poziomu aplikacji. Gdy funkcja jest aktywna, dioda LED Super Freeze jest zawsze włączona.
- Aby wyłączyć funkcję Super Freeze, naciśnij przycisk TEMP lub wyłącz ją z poziomu aplikacji.
- Funkcja Super Freeze kończy działanie automatycznie po upływie ponad 50 godzin.
- Gdy funkcja Super Freeze zakończy działanie, odpowiednia ikona na panelu sterowania zostanie wyłączona i przywrócony zostanie poprzednio ustawiony poziom chłodzenia.

**Uwaga:** Funkcji Super Cool i Super Freeze nie można aktywować jednocześnie.

## **Tryb Eco**

Tryb Eco może być aktywowany w celu optymalizacji wydajności urządzenia, przy jednoczesnym uzyskaniu najlepszego sposobu przechowywania żywności. Tryb Eco automatycznie ustawi temperaturę na 4 °C w lodówce i na -18 °C w zamrażarce.

Jak używać trybu Eco:

- Funkcja może być aktywowana z panelu sterowania poprzez naciśnięcie przycisku „mode” do momentu zapalenia się ikony trybu Eco (wybór potwierdza sygnał dźwiękowy), lub poprzez wybranie funkcji z aplikacji. Gdy funkcja jest aktywna, ikona trybu Eco jest zawsze włączona.
- Aby wyjść z Eco wyłącz go z poziomu aplikacji lub wybierz inną funkcję z panelu sterowania.
- Gdy tryb Eco zakończy działanie, ikona na panelu sterowania zostanie wyłączona i przywrócony zostanie poprzednio ustawiony poziom chłodzenia.

## **Funkcja Holiday**

Funkcja Holiday może być używana w celu zmniejszenia zużycia energii przez urządzenie, gdy nie jest ono regularnie używane. Kiedy funkcja jest włączona, światła LED będą wyłączone (nawet jeśli drzwi są otwarte), a lodówka będzie pracować w trybie niskiego zużycia energii, podczas gdy zamrażarka będzie pracować normalnie.

Jak korzystać z funkcji Holiday:

- Funkcja może być aktywowana z panelu sterowania poprzez naciśnięcie przycisku „mode” do momentu zapalenia się ikony trybu Holiday (wybór potwierdza sygnał dźwiękowy), lub poprzez wybranie funkcji z aplikacji. Gdy funkcja jest aktywna, ikona Holiday jest zawsze włączona.
- Aby wyłączyć funkcję Holiday, wyłącz ją z poziomu aplikacji lub wybierz inną funkcję z panelu sterowania.
- Gdy funkcja Holiday zakończy działanie, ikona na panelu sterowania zostanie wyłączona i przywrócony zostanie poprzednio ustawiony poziom chłodzenia.

## **Rozmrażanie**

Jeżeli grubość warstwy szronu w komorze zamrażarki przekracza 3 mm, zaleca się rozmrożenie, ponieważ powoduje ona wzrost zużycia energii.

- Wyłącz urządzenie i odłącz przewód zasilający.
- Wymij zamrożone produkty i umieść je tymczasowo w chłodnym miejscu.
- Pozostaw otwarte drzwi zamrażarki i zbierz wodę na dnie produktu.
- Po zakończeniu odszraniania należy dokładnie osuszyć wnętrze urządzenia.
- Podłącz przewód zasilający i ustaw żądane wartości.
- Odczekaj chwilę przed włożeniem zamrożonych produktów.

## **Tryb demonstracyjny**

Aby wejść w tryb demonstracyjny, przy odblokowanym wyświetlaczu, należy przytrzymać wciśnięty przycisk Wi-Fi (B) i nacisnąć przycisk MODE (C) 5 razy w ciągu 5 sekund. Aby wyjść z trybu demonstracyjnego, należy wykonać tę samą czynność lub wyłączyć lodówkę.

## **Kody usterki**

- Błąd komunikacji

8 °C - 6 °C - 4 °C - 3 °C - 2 °C Zapalenie się kolejno diod LED oznacza, że wystąpił błąd komunikacji pomiędzy główną płytą sterującą a płytą wyświetlacza. Prosimy o kontakt z pomocą techniczną w celu rozwiązania problemu.

## UŻYCIE Wi-Fi

### Procedura parowania aplikacji

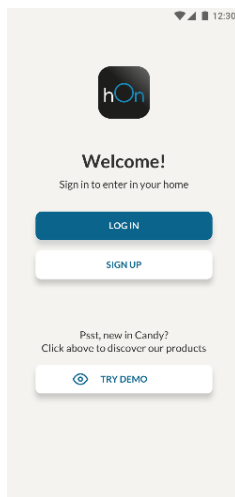
#### Krok 1

- Pobierz aplikację hOn w sklepie



#### Krok 2

- Załóż konto w aplikacji hOn lub zaloguj się, jeśli masz już konto



#### Krok 3

- Postępuj zgodnie z instrukcjami parowania w aplikacji hOn App

## Użycie Wi-Fi

Gdy panel wyświetlacza jest włączony, krótkie naciśnięcie przycisku Wi-Fi rozpoczyna synchronizację, a dioda Wi-Fi zaczyna migać. Postępuj zgodnie z instrukcjami w aplikacji, aby zakończyć połączenie.

Długa informacja akustyczna (1 sek.) potwierdza nawiązanie połączenia, a dioda LED świeci światłem ciągłym.

Jeśli sieć Wi-Fi nie została jeszcze skonfigurowana, po włączeniu lodówki automatycznie przejdzie ona w tryb konfiguracji i utrzyma ten stan przez 30 minut. Aby użyć trybu konfiguracji:

- Naciśnij przycisk Wi-Fi przez 2 sekundy, lodówka przejdzie w tryb konfiguracji Wi-Fi i usłyszysz sygnał dźwiękowy. Ikona Wi-Fi zacznie migać.
- Postępuj zgodnie z instrukcjami aplikacji, aby skonfigurować sieć Wi-Fi (patrz wyżej).
- Po skonfigurowaniu sieci Wi-Fi i nawiązaniu połączenia ikona Wi-Fi jest włączona i stała.
- Po 30 minutach bez wykonywania żadnych operacji, sieć Wi-Fi automatycznie wyjdzie z trybu konfiguracji.
- Jeśli sieć Wi-Fi została już skonfigurowana, automatycznie połączy się ponownie zgodnie z informacjami o konfiguracji.

Aby zresetować Wi-Fi, naciśnij przycisk Wi-Fi – Mode przez 2 sekundy, Wi-Fi zostanie zresetowane i rozlegnie się sygnał dźwiękowy. Po wykonaniu tej czynności sieć Wi-Fi automatycznie przejdzie w stan konfiguracji (ikona Wi-Fi zacznie ponownie migać).

Aby wyłączyć Wi-Fi, naciśnij przycisk Wi-Fi w modelu 3s.

## Moduł radiowy - Dane techniczne

Częstotliwość (OFR)	2400 MHz-2843.5 MHz
Częstotliwości kanałów	2412...2472 MHz(Rozmiar kroku 5 MHz)
Maksymalna moc(EIRP)	100 mW

Typ urządzenia radiowego jest zgodny z dyrektywą 2014/53/EU.

## ROZWIĄZYWANIE PROBLEMÓW

Nie włącza się wewnętrzna żarówka.	• Brak prądu.	• Kabel zasilający nie jest prawidłowo podłączony. • Sprawdź, czy urządzenie jest wyłączone (patrz Regulacja temperatury). • Sprawdź, czy gniazdko elektryczne działa prawidłowo (np. z innym urządzeniem elektrycznym).
	• Tryb Holiday jest aktywny.	• Dezaktywuj tryb Holiday.
Temperatura wewnętrzna lodówki i/lub zamrażarki nie jest wystarczająco niska.	• Drzwi nie są zamknięte.	• Sprawdź, czy drzwi zamykają się prawidłowo.
	• Drzwi są często otwierane.	• Unikaj niepotrzebnego otwierania drzwi przez pewien czas.
	• Nieprawidłowe ustawienie temperatury.	• Sprawdź ustawienie temperatury i jeśli to możliwe, ustaw niższą temperaturę (patrz Regulacja temperatury).
	• Lodówka i/lub zamrażarka są zbyt pełne.	• Poczekaj, aż temperatura lodówki/zamrażarki ustabilizuje się. • Unikaj nadmiernego napełniania lodówki i zamrażarki.
	• Zbyt niska temperatura otoczenia.	• Przenieś urządzenie do cieplejszego miejsca lub ogrzej obecne pomieszczenie.
	• Przechowywano ciepłe rzeczy.	• Przed przechowywaniem produkty powinny zawsze wystygnąć.
Żywność w lodówce zamarza.	• Nieprawidłowe ustawienie temperatury.	• Sprawdź ustawienie temperatury i jeśli to możliwe, zwiększ temperaturę.
	• Żywność styka się z tylną ścianą.	• Trzymaj żywność z dala od tylnej ściany lodówki.
Dno komory chłodziarki jest mokre lub widać na nim krople wody.	• Wąż spustowy mógł być zatkany.	• Wyczyść wąż spustowy patykami lub podobnym przedmiotem, aby umożliwić spuszczenie wody.
Obecność kropeł wody lub szronu na tylnej ścianie lodówki.	• W zależności od funkcji, podczas pracy na tylnej ścianie lodówki tworzą się krople wody lub szron.	• To nie jest wada.
	• Przechowywano ciepłe produkty.	• Przed przechowywaniem produkty powinny zawsze wystygnąć.
	• Znajdują się w nim otwarte pojemniki na żywność lub płyny.	• Zawsze przykrywaj żywność i płyny.
	• Drzwi nie są zamknięte.	• Sprawdź, czy drzwi zamykają się prawidłowo.
	• Drzwi są często otwierane.	• Unikaj niepotrzebnego otwierania drzwi przez pewien czas.
Obecność wody w szufladzie na warzywa.	• Brak cyrkulacji powietrza.	• Sprawdź, czy urządzenie nie jest zbyt pełne.
	• Warzywa i owoce o zbyt dużej wilgotności.	• Umieść owoce i warzywa w tworzywie plastikowym, np. zawiniń w folię spożywczą, lub umieść w torbie lub pojemniku.
Silnik działa cicho.	• Drzwi nie są zamknięte.	• Upewnij się, że drzwi są zamknięte i sprawdź, czy uszczelki dobrze się zamykają.
	• Drzwi są często otwierane.	• Unikaj niepotrzebnego otwierania drzwi przez pewien czas.
	• Temperatura otoczenia jest bardzo wysoka.	• Sprawdź, czy temperatura otoczenia mieści się w zakresie określonym w specyfikacjach na etykiecie urządzenia. • Ustaw wyświeltacz/termostat na wyższą temperaturę.
	• Urządzenie było wyłączone (brak zasilania) przez jakiś czas.	• Całkowite ochłodzenie urządzenia zwykle zajmuje 8–12 godzin.
Zamrożona żywność rozmraża się.	• Zbyt niska temperatura otoczenia.	• Przenieś urządzenie do cieplejszego miejsca lub ogrzej obecne pomieszczenie.
	• Drzwi zamrażarki nie są zamknięte.	• Sprawdź, czy drzwi są zamknięte i czy uszczelka jest szczelna.
Alarm drzwi lodówki.	• Alarm drzwi lodówki (sygnal dźwiękowy) włącza się, gdy drzwi pozostają otwarte dłużej niż 3 minuty.	• Unikaj pozostawiania otwartych drzwi. Sygnal dźwiękowy ustaje po zamknięciu drzwi.
Urządzenie wydaje dźwięki takie jak bulgotanie, brzęczenie, klikanie, skrzypienie.	• Zadnych awarii. Silnik pracuje, np. agregat chłodniczy, wentylator. Czynnik chłodniczy wpływa do ru. Silnik, przełączniki i zawory elektromagnetyczne są włączone i wyłączane.	• Nie wymaga działań.
	• Urządzenie nie znajduje się na wypoziomowanym podłożu.	• Wyreguluj nóżki, aby wypoziomować urządzenie.
	• Urządzenie dotyka otaczającego go przedmiotu.	• Usuń obiekty znajdujące się w pobliżu urządzenia.
Urządzenie nie chłodzi, świecą się wskaźniki temperatury i oświetlenia.	• Tryb demonstracyjny jest aktywny.	• Dezaktywuj tryb demonstracyjny.
Nadmierny lód i szron w komorze zamrażarki.	• Przedmioty nie były odpowiednio zapakowane.	• Zawsze dobrze pakuj przedmioty.
	• Drzwi/szuflada urządzenia nie są szczelnie zamknięte.	• Zamknij drzwi/szufladę.
	• Drzwi/szuflad były za często otwierane lub pozostawały długo otwarte.	• Nie otwieraj drzwi/szuflad zbyt często.
	• Uszczelki drzwi/szuflady są brudne, zużyte, pęknięte lub niedopasowane.	• Wyczyść uszczelkę drzwi/szuflady lub wymień ją na nową.
	• Coś wewnątrz uniemożliwia prawidłowe zamknięcie drzwi/szuflady.	• Ponownie umieść półki, półki na drzwi lub pojemniki wewnętrzne, aby umożliwić zamknięcie drzwi/szuflady.
Boki urządzenia są ciepłe.	• To normalne.	

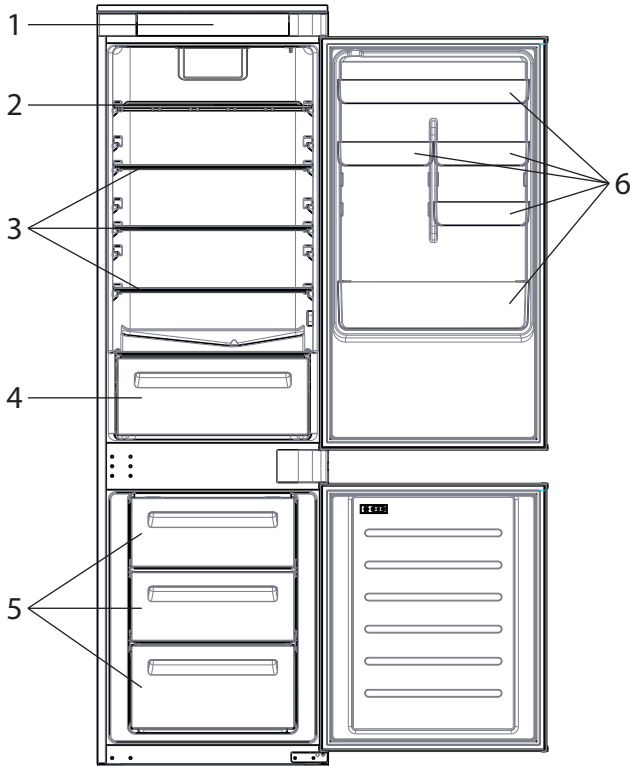


# Resumo

---

DESCRIÇÃO DO PRODUTO .....	2
UTILIZAÇÃO .....	3
Utilização .....	3
Gestão do modo standby de visualização.....	4
Modos .....	4
Regulação da temperatura do frigorífico.....	4
Regulação da temperatura do congelador.....	4
Temperatura personalizada .....	5
Função Super Cool .....	5
Função Super Freeze .....	6
Modo Eco .....	6
Função Holiday.....	7
Descongelamento .....	7
Modo demo.....	7
Códigos de Erro .....	7
Procedimento de emparelhamento na aplicação.....	8
Utilização Wi-Fi .....	9
RESOLUÇÃO DE PROBLEMAS .....	10

## DESCRIÇÃO DO PRODUTO



1. Painel de Controlo
2. Prateleira para vinho
3. Prateleiras
4. Gaveta para legumes e vegetais
5. Gavetas do congelador
6. Prateleira da porta

\* A configuração mais económica em termos de energia implica que as gavetas, a caixa de alimentos e as prateleiras estejam posicionadas no aparelho e que a ventoinha esteja desligada. Consulte as figuras acima.

\*\* As fotos acima são apenas para referência. A configuração real dependerá do produto físico ou declaração do distribuidor.

### Requisitos de espaço

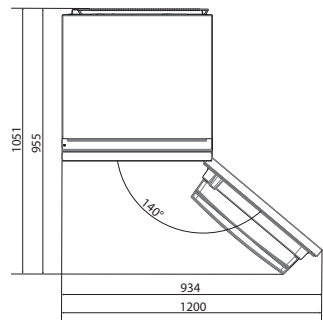
A porta da unidade tem de poder abrir totalmente conforme exibido. Espaço suficiente para uma abertura conveniente das portas e gavetas. Mantenha uma distância de pelo menos 50 mm entre as paredes laterais do produto e as peças adjacentes.

540 mm Armário: Largura: 934 mm

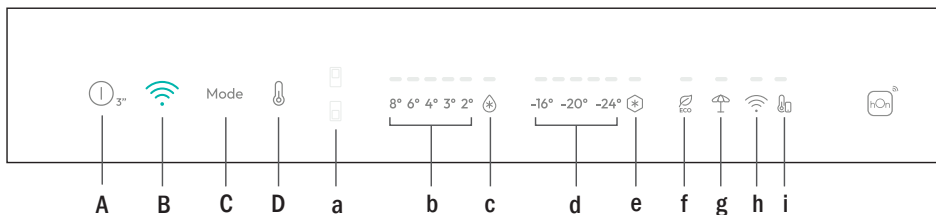
Profundidade: 955 mm

700 mm Armário: Largura: 1200 mm

Profundidade: 1051 mm



## UTILIZAÇÃO



- A. Tecla ON/OFF, pressione por 3 segundos. O aparelho liga-se com um longo feedback acústico (1 seg).
- B. Tecla Wi-Fi, usado para conectar o aparelho
- C. Tecla Mode, usado para selecionar entre Frigorífico, Congelador, Eco e Férias
- D. Tecla TEMP, usado para selecionar entre os níveis de temperatura (também Super Cool e Super Freeze)
  - a. Ícone frigorífico/congelador mostra qual a área do aparelho que está selecionada
  - b. Níveis de temperatura do frigorífico, mostram a temperatura selecionada
  - c. Ícone Super Cool, mostra se a função Super Cool está ativada
  - d. Níveis de temperatura do congelador, mostram qual a temperatura selecionada no congelador
  - e. O ícone Super Freeze, mostra se a função Super Freeze está ativada
  - f. Ícone do modo Eco, mostra se o modo eco está ativado
  - g. Ícone da função Holiday, mostra se a função de férias está ativada
  - h. Ícone Wi-Fi mostra se o Wi-Fi está a funcionar e o aparelho está conectado
  - i. Ícone de temperatura personalizado, mostra se a temperatura foi selecionada pela aplicação

### Utilização

- Ligue o aparelho e ele liga automaticamente com um feedback acústico longo (1 seg) Todos os LEDs acendem (1 seg), então o LED de temperatura do refrigerador e o LED do freezer acendem fixos.
- A temperatura regula-se automaticamente para 4 °C no frigorífico e para -18 °C no congelador.

**NOTA:** aguarde pelo menos 2/3 horas antes de colocar alimentos no aparelho, de modo a garantir a temperatura no interior do frigorífico.
- Em caso de falha de energia, o último nível de arrefecimento definido é repostado.
- Para restaurar a configuração padrão, mantenha premido o interruptor da porta no interior do frigorífico e prima simultaneamente a tecla ON/OFF durante 5 segundos.
- Sob condições normais de funcionamento (na primavera e no outono), recomenda-se a regulação da temperatura para 4 °C. No verão quando a temperatura ambiente é alta, recomenda-se regular a temperatura para 6~8 °C, de modo a garantir a temperatura do frigorífico e do congelador e reduzir o tempo de funcionamento contínuo do frigorífico; e no inverno quando a temperatura ambiente é baixa, recomenda-se definir a temperatura para 3~4 °C para evitar o início/paragem frequentes do frigorífico.

## **Gestão do modo standby de visualização**

- Se a porta estiver fechada -> visor em modo de espera (todos os LEDs apagados)
- Se a porta estiver aberta -> o LED da temperatura atual do frigorífico e o LED da temperatura do congelador estão acesos (fixos).
- LED modo ECO + LED modo Holiday estão acesos (fixos) se previamente selecionados.
- O visor está pronto para receber entradas (não é necessário ativá-lo por toque).

## **Modos**

O botão de modo é utilizado para alternar entre os diferentes modos.

O LED relacionado acende e a seleção é imediatamente confirmada (sem piscar).

O breve feedback acústico confirma a seleção.

## **Regulação da temperatura do frigorífico**

Quando o painel de visualização estiver ligado, selecionar "regulação da temperatura do frigorífico" premindo o botão MODE. O LED da área do frigorífico acende-se.

Premir o botão "TEMP" até estar regulada a temperatura desejada.

O valor da temperatura muda desta forma: 8°C -> 6°C -> 4°C -> 3°C -> 2°C -> Super Cool -> 8°C... O LED relacionado acende e a seleção é imediatamente confirmada (sem piscar).

O breve feedback acústico confirma a seleção.

## **Regulação da temperatura do congelador**

Quando o painel de visualização estiver ligado, selecionar a "regulação da temperatura do congelador" premindo o botão MODE. O LED da área do congelador acende.

Premir o botão "TEMP" até estar regulada a temperatura desejada.

O valor da temperatura muda desta forma: -16°C -> -18°C -> -20°C -> -22°C -> -24°C -> Super freezing -> -16°C...

O LED relacionado acende e a seleção é imediatamente confirmada (sem piscar).

O breve feedback acústico confirma a seleção.

## **A notar:**

Mudar da área do frigorífico para a área do congelador e vice-versa é imediato quando o utilizador carrega no botão MODE, e a seleção fica imediatamente ativa

Os LEDs de temperatura não piscam

### **Temperatura personalizada**

É possível selecionar uma temperatura entre 2 °C e 8 °C no frigorífico e de -16 °C a -24 °C no congelador. Quando a temperatura é selecionada pela aplicação, o ícone de temperatura personalizada acende-se, enquanto todas as luzes LED de temperatura do compartimento afetado se apagam (isto é, se a temperatura do frigorífico for selecionada a partir da aplicação, os LEDs de 2 °C a 8 °C apagam-se).

Se a temperatura do congelador for selecionada a partir da aplicação, os LEDs -16 °C a -24 °C estão apagados).

Se apenas uma única área (congelador ou frigorífico) tiver a temperatura personalizada, a seleção de temperatura da outra área não é alterada e a luz LED da temperatura selecionada dessa área permanece acesa.

O feedback acústico longo (1 seg) confirma que a ligação está concluída.

### **Função Super Cool**

Sugere-se ligar a função Super Cool se se tiver de guardar uma grande quantidade de alimentos (por exemplo após uma ida às compras). A função Super Cool acelera o arrefecimento de alimentos frescos e protege os produtos armazenados de aquecimento indesejável. Quando a função é ativada, a temperatura do frigorífico é regulada automaticamente para 2 °C.

Como usar a função Super Cool:

- A função pode ser ativada premindo longamente a tecla TEMP para selecionar o compartimento do frigorífico e, em seguida, premindo rapidamente a tecla TEMP até que o led do ícone Super Cool se acenda, ou pode ser ligada a partir da aplicação. Quando a função está ativada, o LED Super Cool está sempre aceso.
- Para sair da função Super Cool, prima a tecla TEMP ou desligue-a a partir da aplicação.
- A função Super Cool termina automaticamente quando a função durou mais de 12 horas.
- Quando o Super Cool termina, o ícone do painel de controlo desliga-se e o nível de arrefecimento previamente definido é repostado.

**Nota:** A função Super Cool e Super Freeze não pode ser ativada simultaneamente.

## **Função Super Freeze**

A função Super Freeze acelera o arrefecimento de alimentos frescos e protege os produtos armazenados de aquecimento indesejável. Se se tiver de congelar uma grande quantidade de alimentos, recomenda-se ativar a função Super Freeze 24h antes da utilização. Quando a função é ativada, a temperatura é regulada automaticamente para -22 °C.

Como usar a função Super Freeze:

- A função pode ser lançada premindo longamente a tecla TEMP para selecionar o compartimento do congelador e, em seguida, premindo rapidamente a tecla TEMP até que o led do ícone Super Freeze se acenda, ou pode ser ligado a partir da aplicação. Quando a função está ativada, o LED Super Freeze está sempre aceso.
- Para sair da função Super Freeze, prima a tecla TEMP ou desligue-a a partir da aplicação.
- A função Super Freeze termina automaticamente quando a função durou mais de 50 horas.
- Quando o Super Freeze termina, o ícone do painel de controlo desliga-se e o nível de congelação previamente definido é repostos.

**Nota:** A função Super Cool e Super Freeze não pode ser ativada simultaneamente.

## **Modo Eco**

O modo Eco pode ser ativado para otimizar o desempenho do aparelho, obtendo-se simultaneamente o melhor armazenamento de alimentos. O modo Eco regula automaticamente a temperatura para 4 °C no frigorífico e para -18 °C no congelador.

Como utilizar o modo Eco:

- A função pode ser ativada a partir do painel de controlo premindo a tecla "mode" até o ícone do modo Eco se acender (um sinal acústico confirma a seleção) ou selecionando a função a partir da aplicação. Com a função ativada, o ícone do modo Eco está sempre aceso.
- Para sair do Eco desligue-o na aplicação ou escolha outra função do painel de controlo.
- Quando o Modo Eco termina, o ícone do painel de controlo apaga-se e os níveis de arrefecimento previamente definidos são repostos.

## **Função Holiday**

A função Holiday pode ser utilizada para reduzir o consumo de energia do aparelho, quando este não é utilizado regularmente. Quando a função está ligada, as luzes LED desligam-se (mesmo se a porta estiver aberta) e o frigorífico irá funcionar no modo de consumo de baixa energia, enquanto o congelador continuará a funcionar normalmente. Como usar a função Holiday:

- A função pode ser ativada a partir do painel de controlo premindo a tecla "mode" até o ícone do modo Holiday se acender (um sinal acústico confirma a seleção) ou selecionando a função a partir da aplicação. Com a função ativada, o ícone do modo Holiday está sempre aceso.
- Para sair da função Holiday desligue-a na aplicação ou escolha outra função do painel de controlo.
- Quando a função Holiday termina, o ícone do painel de controlo desliga-se e os níveis de arrefecimento previamente definidos são repostos.

## **Descongelamento**

Quando a camada de gelo presente no compartimento do congelador excede 3mm, recomenda-se que proceda ao descongelamento já que isto aumenta o consumo de energia.

- Desligue o aparelho e desconecte o cabo de alimentação.
- Remova os alimentos congelados e coloque-os temporariamente num local fresco.
- Deixe a porta do congelador aberta e recolha a água na parte inferior do produto.
- Quando o descongelamento está concluído, seque bem o interior.
- Volte a ligar o cabo de alimentação e configure os valores pretendidos.
- Aguarde um momento e volte a introduzir os alimentos congelados.

## **Modo demo**

Para inserir o modo de demonstração, com o visor desbloqueado, mantenha premida a tecla Wi-Fi (B) e prima a tecla MODE (C) 5 vezes dentro de 5 segundos. Para sair do modo de demonstração, execute a mesma operação ou desligue o frigorífico.

## **Códigos de Erro**

- Erro de comunicação

As luzes LED 8 °C - 6 °C - 4 °C - 3 °C - 2 °C acendem-se sequencialmente, significa que houve um erro de comunicação entre o painel de controlo principal e o painel do visor. Por favor, contate a assistência técnica para ajudar a resolver o problema

## UTILIZAÇÃO WI-FI

### Procedimento de emparelhamento na aplicação

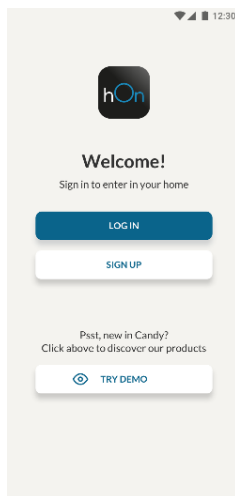
#### Passo 1

- Faça download da aplicação hOn nas lojas



#### Passo 2

- Crie a sua conta na aplicação hOn ou faça login se já tiver uma conta



#### Passo 3

- Siga as instruções de emparelhamento na aplicação hOn



## Utilização Wi-Fi

Quando o painel de visualização está ligado, um breve toque no botão Wi-Fi inicia a sincronização e o LED Wi-Fi começa a piscar. Seguir as instruções na aplicação para completar a ligação.

O feedback acústico longo (1 seg) confirma que a ligação está estabelecida e o LED permanece aceso fixo.

Se o Wi-Fi ainda não estiver configurado, quando o frigorífico é ligado, entra automaticamente no modo de configuração e mantém esse estado durante 30 minutos. Para utilizar o modo de configuração:

- Prima a tecla Wi-Fi durante 2s, o frigorífico entra no modo de configuração Wi-Fi e um sinal acústico é feito. O ícone Wi-Fi começa a piscar.
- Siga as instruções da aplicação para configurar o Wi-Fi (ver acima).
- Logo que o Wi-Fi esteja configurado e a conexão estabelecida, o ícone Wi-Fi fica aceso e fixo.
- Após 30 minutos sem realizar qualquer operação, o Wi-Fi sai automaticamente do modo de configuração.
- Se o Wi-Fi já estiver configurado, será reconectado automaticamente de acordo com as informações de configuração.

Para repor o Wi-Fi, prima longamente a tecla Wi-Fi - Mode durante 2s, o Wi-Fi é reiniciado e um sinal acústico é feito. Depois disso, o Wi-Fi entra automaticamente no estado de configuração (o ícone Wi-Fi começará a piscar novamente).

Para desligar o Wi-Fi, pressione a tecla Wi-Fi durante 3s.

## Módulo de rádio - Dados técnicos

Taxa de frequência (OFR)	2400 MHz-2843.5 MHz
Frequências do canal	2412...2472 MHz(tamanho do passo 5 MHz)
Força máxima(EIRP)	100 mW

O tipo de equipamento de rádio está em conformidade com a Diretiva 2014/53/EU.

## RESOLUÇÃO DE PROBLEMAS

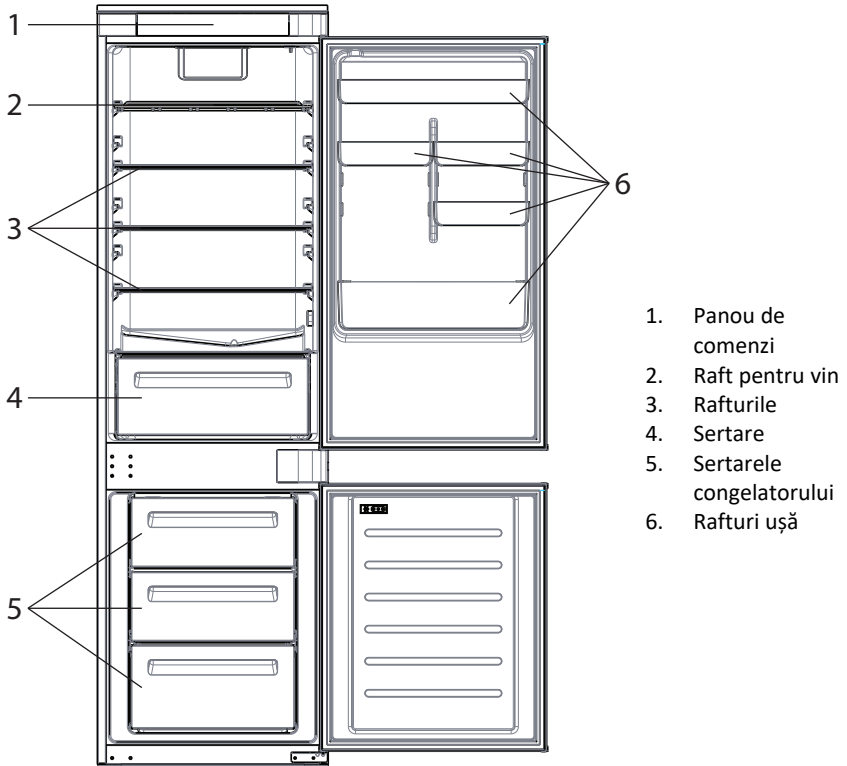
A lâmpada interior não se acende.	• Não há eletricidade.	• O cabo de alimentação não está devidamente ligado. • Verifique se o aparelho está desligado (ver Ajuste de Temperatura). • Verifique se a tomada elétrica está a funcionar corretamente (por exemplo, com outro aparelho elétrico).
	• O Modo Holiday está ativado.	• Desative o modo Holiday.
A temperatura interna do frigorífico e/ou do congelador não é suficientemente fria.	• As portas não estão fechadas.	• Verifique se as portas e vedantes selam adequadamente.
	• As portas são abertas com frequência.	• Evite abrir as portas desnecessariamente durante algum tempo.
	• Regulação da temperatura incorreta.	• Verifique a regulação da temperatura e, se possível, regule uma temperatura mais baixa (ver Regulação da temperatura).
	• O frigorífico e/ou o congelador estão demasiado cheios.	• Ajuste a estabilização da temperatura do frigorífico/congelador. • Evite encher excessivamente o frigorífico e o congelador.
	• A temperatura ambiente é demasiado baixa.	• Desloque a unidade para um local mais quente ou aqueça a divisão atual.
	• Foram colocados artigos quentes.	• Deixe sempre arrefecer os produtos antes de os guardar.
A comida congela no frigorífico.	• Regulação da temperatura incorreta.	• Verifique a regulação da temperatura e, se possível, aumente a temperatura.
	• Alimentos em contacto com a parede traseira.	• Mantenha os alimentos afastados da parede traseira do frigorífico.
O fundo do compartimento do frigorífico está molhado ou há gotas de água.	• A mangueira de drenagem pode estar entupida.	• Limpe a mangueira de drenagem com um pau ou um objeto semelhante para permitir o escoamento da água.
Presença de gotas de água ou de gelo na parede traseira do frigorífico.	• Dependendo da função, formam-se gotas de água ou gelo na parede traseira do frigorífico durante o funcionamento.	• Não se trata de um defeito.
	• Foram colocados artigos quentes.	• Deixe sempre arrefecer os produtos antes de os guardar.
	• Existem recipientes de alimentos ou líquidos abertos.	• Cubra sempre os alimentos e os líquidos.
	• As portas não estão fechadas.	• Verifique se as portas e vedantes selam adequadamente.
	• As portas são abertas com frequência.	• Evite abrir as portas desnecessariamente durante algum tempo.
Presença de água na gaveta dos vegetais.	• Falta de circulação de ar.	• Verifique se o aparelho não está demasiado cheio.
	• Demasiada humidade nos legumes e frutas.	• Embrulhe as frutas e os legumes em materiais plásticos, por exemplo, película aderente, sacos ou recipientes.
O motor funciona continuamente.	• As portas não estão fechadas.	• Certifique-se de que as portas estão fechadas e que os vedantes selam devidamente.
	• As portas são abertas frequentemente.	• Evite abrir as portas desnecessariamente durante algum tempo.
	• A temperatura ambiente é demasiado alta.	• Verifique se a temperatura ambiente está dentro do intervalo indicado nas especificações da etiqueta do aparelho. • Regule o ecrã do visor/termostato para uma temperatura mais quente.
	• O aparelho esteve desligado (sem corrente) durante algum tempo.	• Normalmente, o aparelho demora 8 a 12 horas a arrefecer completamente.
A comida congelada está a descongelar.	• A temperatura ambiente é demasiado baixa.	• Desloque a unidade para um local mais quente ou aqueça a divisão atual.
	• A porta do congelador não está fechada.	• Asegure-se de que a porta está fechada e que o vedante está a isolar devidamente.
Alarme da porta do frigorífico.	• O alarme da porta do frigorífico (sinal sonoro) é ativado sempre que a porta é deixada aberta durante mais de 3 minutos.	• Evite deixar a porta aberta quando não é necessário. O sinal sonoro cessa quando a porta é fechada.
O aparelho emite ruídos como gorgolejos, zumbidos, estalidos, rangidos.	• Sem avarias. Um motor está a funcionar, por exemplo, uma unidade de refrigeração, uma ventoinha. O refrigerante flui para os tubos. O motor, os interruptores e as electroválvulas são ligados ou desligados.	• Não são necessárias ações.
	• O aparelho não está colocado sobre um piso nivelado.	• Ajuste os pés para nivelar o aparelho.
	• O aparelho toca em algum objeto em seu redor.	• Remova objetos em redor do aparelho.
O aparelho não arrefece, os indicadores de temperatura e de iluminação estão acesos.	• O modo de demonstração está ativado.	• Desative o modo DEMO.
Gelo forte e geada no compartimento do congelador.	• Os itens não foram devidamente embalados.	• Embale sempre bem os objetos.
	• Uma porta/gaveta do aparelho não está bem fechada.	• Feche a porta/gaveta.
	• A porta/gaveta foi aberta com muita frequência ou durante muito tempo.	• Não abra a porta/gaveta com muita frequência.
	• A junta de vedação da porta/gaveta está suja, gasta, fissurada ou não é adequada.	• Limpe a junta da porta/gaveta ou substitua-a por uma nova.
	• Algo no interior impede que a porta/gaveta se feche corretamente.	• Reposicione as prateleiras, prateleiras das portas ou recipientes internos para permitir que a porta/gaveta feche.
Os lados do aparelho estão quentes.	• Isto é normal.	

# Cuprins

---

DESCRIEREA PRODUSULUI.....	2
UTILIZAREA.....	3
Utilizarea .....	3
Gestionarea modului „Standby” al afișajului.....	4
Moduri .....	4
Setarea temperaturii frigiderului .....	4
Setarea temperaturii congelatorului .....	4
Temperatură personalizată .....	5
Funcția Răcire rapidă .....	5
Funcția Congelare rapidă .....	6
Modul Eco .....	6
Funcția Vacanță .....	7
Decongelarea .....	7
Mod demo.....	7
Coduri de eroare .....	7
Procedura de asociere în aplicație .....	8
Utilizarea Wi-Fi.....	9
DEPANARE.....	10

## DESCRIEREA PRODUSULUI



\* Configurația cu cea mai înaltă eficiență energetică necesită ca sertarele, cutia cu alimente și rafturile să fie poziționate în aparat și ca ventilatorul să fie oprit. Imaginile de mai sus vă pot servi ca referință.

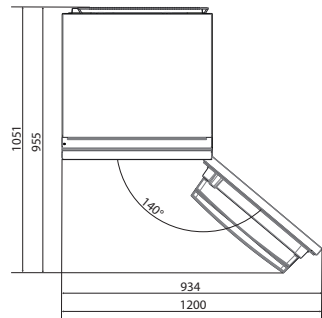
\*\* Imaginile de mai sus sunt oferite doar ca exemple. Configurația reală va depinde de produsul fizic sau de declarația distribuitorului.

### Cerințe legate de spațiu

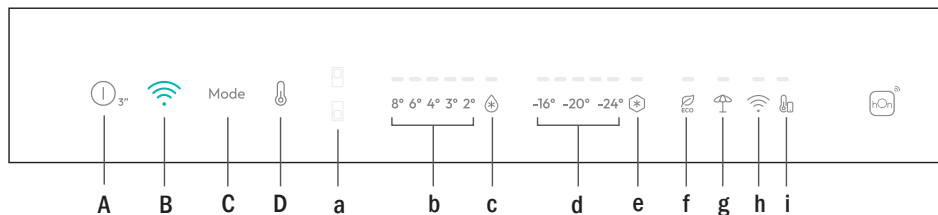
Ușa unității trebuie să poată fi deschisă complet, așa se arată în imagine. Este necesar un spațiu suficient, care să permită deschiderea comodă a ușilor și a sertarelor. Păstrați o distanță de cel puțin 50 mm între pereții laterali ai produsului și părțile adiacente.

540 mm Dulap: Latime: 934 mm  
Adâncime: 955 mm

700 mm Dulap: Latime: 1200 mm  
Adâncime: 1051 mm



## UTILIZAREA



- A. Tasta ON/OFF, apăsați timp de 3 secunde. Aparatul pornește și emite un semnal sonor lung (1 sec).
- B. Tasta Wi-Fi, utilizată pentru conectarea aparatului
- C. Tasta Mode, utilizată pentru a selecta între Frigider, Congelator, Eco și Vacanță
- D. Tasta TEMP, folosit pentru a selecta între nivelurile de temperatură (de asemenea, Super Cool și Super Freeze)
- a. Pictograma zonei frigiderului/congelatorului, arată ce compartiment al aparatului este selectat
- b. Nivelurile de temperatură a frigiderului indică temperatura selectată
- c. Pictograma Răcire rapidă indică dacă funcția Răcire rapidă este activată
- d. Nivelurile de temperatură a congelatorului indică temperatura selectată pentru congelator
- e. Pictograma Congelare rapidă indică dacă funcția Congelare rapidă este activată
- f. Pictograma Eco mode arată dacă modul Eco este activat
- g. Pictograma funcției Vacanță afișează dacă funcția Vacanță este activată
- h. Pictograma Wi-Fi arată dacă Wi-Fi funcționează și aparatul este conectat
- i. Pictograma temperatură particularizată afișează dacă temperatura a fost selectată de aplicație

### Utilizarea

- Conectați aparatul și acesta se aprinde automat cu un feedback acustic lung (1 sec) Toate LED-urile se aprind (1 sec), apoi LED-ul de temperatură a frigiderului și LED-ul congelatorului se aprind fix.
- Temperatura va fi setată automat la 4 °C în frigider și la -18 °C în congelator.  
**NOTĂ:** așteptați cel puțin 2-3 ore înainte de a pune alimentele în aparat, pentru a asigura atingerea temperaturii în interiorul frigiderului.
- În cazul producerii unei pene de curent, aparatul va reveni la ultimul nivel de răcire setat.
- Pentru a reveni la setările din fabrică, țineți apăsat comutatorul ușii, situat în interiorul frigiderului, și apăsați simultan tasta ON/OFF timp de 5 secunde.
- În condiții normale de funcționare (primăvara și toamna), se recomandă setarea temperaturii la 4 °C. În timpul verii sau atunci când temperatura ambiantă este ridicată, se recomandă setarea temperaturii la 6~8 °C, astfel încât să se asigure o temperatură adecvată pentru frigider și congelator și să se reducă timpul de funcționare continuă a frigiderului. În schimb, pe perioada iernii sau atunci când temperatura ambiantă este scăzută, se recomandă setarea temperaturii la 3~4 °C pentru a evita pornirea/oprirea frecventă a frigiderului.

## **Gestionarea modului „Standby” al afișajului**

- Dacă ușa este închisă -> afișajul este în standby (toate LED-urile sunt stinse)
- Dacă ușa este deschisă -> LED-ul care indică temperatura actuală a frigiderului și LED-ul care indică temperatura congelatorului sunt aprinse (fix).
- LED-ul modului ECO + LED-ul modului Holiday sunt aprinse (fix) dacă au fost selectate anterior.
- Afișajul este gata să primească intrări (nu este nevoie să-l activați prin atingere).

## **Moduri**

Butonul de mod se utilizează pentru a comuta între diferitele moduri.

LED-ul aferent se aprinde și selecția este imediat confirmată (fără iluminare intermitentă). Semnalul sonor scurt confirmă selecția.

## **Setarea temperaturii frigiderului**

Când panoul de afișare este pornit, selectați „Setarea temperaturii frigiderului” apăsând butonul MOD. LED-ul pentru frigider se aprinde.

Apăsăți butonul „TEMP” până când este setată temperatura dorită.

Valoarea temperaturii se modifică astfel: 8 °C -> 6 °C -> 4 °C -> 3 °C -> 2 °C -> super răcire -> 8 °C...

LED-ul aferent se aprinde și selecția este imediat confirmată (fără iluminare intermitentă). Semnalul sonor scurt confirmă selecția.

## **Setarea temperaturii congelatorului**

Când panoul de afișare este pornit, selectați „Setarea temperaturii congelatorului” apăsând butonul MOD. LED-ul zonei congelatorului se aprinde.

Apăsăți butonul „TEMP” până când este setată temperatura dorită.

Valoarea temperaturii se modifică astfel: -16 °C -> -18 °C -> -20 °C -> -22 °C -> -24 °C -> Super congelare -> -16 °C...

LED-ul aferent se aprinde și selecția este imediat confirmată (fără iluminare intermitentă). Semnalul sonor scurt confirmă selecția.

## **De remarcat:**

Comutarea de la frigider la congelator și invers este imediată atunci când utilizatorul apasă butonul MOD, iar selecția este imediat activată

LED-urile de temperatură nu se aprind intermitent

## Temperatură personalizată

Este posibil să selectați o temperatură de la 2 °C la 8 °C pentru frigider și de la -16 °C la -24 °C pentru congelator. Când temperatura este selectată de aplicație, pictograma de temperatură personalizată se aprinde, în timp ce toate indicatoarele LED de temperatură ale compartimentului afectat sunt oprite (de exemplu, dacă temperatura frigiderului este selectată din aplicație, LED-urile de la 2 °C la 8 °C sunt oprite).

Dacă temperatura congelatorului este selectată din aplicație, LED-urile de la -16 °C la -24 °C sunt oprite).

Dacă numai o singură zonă (congelator sau frigider) are temperatura personalizată, selectarea temperaturii celeilalte zone nu se modifică și indicatorul LED al temperaturii selectate din zona respectivă va rămâne aprins.

Un semnal sonor lung (1 secundă) confirmă finalizarea conexiunii.

## Funcția Răcire rapidă

Este recomandat să activați funcția Răcire rapidă dacă trebuie depozitată o cantitate mare de alimente (de exemplu, după cumpărare). Funcția Răcire rapidă accelerează răcirea alimentelor proaspete și protejează alimentele deja depozitate împotriva încălzirii nedorite. La activarea funcției, temperatura frigiderului este setată automat la 2 °C.

Utilizarea funcției Răcire rapidă:

- Funcția poate fi activată prin apăsarea lungă a tastei TEMP pentru a selecta compartimentul frigiderului, apoi apăsând rapid tasta TEMP până când indicatorul LED al pictogramei Răcire rapidă este activat. De asemenea, se poate activa din aplicație. Când funcția este activată, indicatorul LED al funcției Răcire rapidă este întotdeauna pornit.
- Pentru a ieși din funcția Răcire rapidă, apăsați tasta TEMP sau dezactivați-o din aplicație.
- Funcția Răcire rapidă finalizează automat atunci când funcția este activă timp de peste 12 ore.
- La oprirea funcției Răcire rapidă, pictograma de pe panoul de comandă se stinge și se restabilește nivelul de răcire setat anterior.

**Notă:** Funcțiile Răcire rapidă și Congelare rapidă nu pot fi activate simultan.

## Funcția Congelare rapidă

Funcția Congelare rapidă accelerează congelarea alimentelor proaspete și protejează alimentele deja depozitate împotriva încălzirii nedorite. În cazul în care urmează să congelați o cantitate mare de alimente, se recomandă să porniți funcția Congelare rapidă cu 24 de ore înainte de utilizare. La activarea funcției, temperatura este setată automat la -22 °C.

Utilizarea funcției Congelare rapidă:

- Funcția poate fi activată prin apăsarea lungă a tastei TEMP pentru a selecta compartimentul congelatorului, apoi apăsând rapid tasta TEMP până când indicatorul LED al pictogramei Congelare rapidă este activat. De asemenea, se poate activa din aplicație. Când funcția este activată, indicatorul LED al funcției Congelare rapidă este întotdeauna pornit.
- Pentru a ieși din funcția Congelare rapidă, apăsați tasta TEMP sau dezactivați-o din aplicație.
- Funcția Congelare rapidă finalizează automat atunci când funcția este activă timp de peste 50 ore.
- La oprirea funcției Congelare rapidă, pictograma de pe panoul de comandă se stinge și se restabilește nivelul de congelare setat anterior.

**Notă:** Funcțiile Răcire rapidă și Congelare rapidă nu pot fi activate simultan.

## Modul Eco

Modul Eco poate fi activat pentru a optimiza performanța aparatului și pentru a oferi cea mai bună depozitare pentru alimente. Modul Eco va fi setat automat la 4 °C în frigider și la -18 °C în congelator.

Utilizarea modului Eco:

- Funcția poate fi activată din panoul de control apăsând tasta „mode” până când pictograma modului Eco se activează (selecția va fi confirmată printr-un semnal sonor) sau selectând funcția din aplicație. Când funcția este activată, indicatorul LED al funcției modul Eco este întotdeauna aprins.
- Pentru a ieși din modul Eco, dezactivați-l din aplicație sau alegeți o altă funcție de pe panoul de control.
- La oprirea modului Eco, pictograma de pe panoul de comandă se stinge și se restabilesc nivelurile de răcire setate anterior.



## Funcția Vacanță

Funcția Vacanța poate fi utilizată pentru a reduce consumul de energie al aparatului atunci când acesta nu este utilizat frecvent. La activarea acestei funcții, indicatoarele LED se vor stinge (chiar dacă ușa este deschisă), iar frigiderul va funcționa în modul de consum redus de energie, în timp ce congelatorul va continua să funcționeze normal.

Utilizarea funcției Vacanță:

- Funcția poate fi activată din panoul de control apăsând tasta „mode” până când pictograma funcției Vacanță se activează (selecția va fi confirmată printr-un semnal sonor) sau selectând funcția din aplicație. Când funcția este activată, indicatorul LED al funcției Vacanță este întotdeauna aprins.
- Pentru a ieși din funcția Vacanță dezactivați-o din aplicație sau alegeți o altă funcție de pe panoul de control.
- La oprirea funcției Vacanță, pictograma de pe panoul de comandă se stinge și se restabilesc nivelurile de răcire setate anterior.

## Decongelarea

Atunci când stratul de gheață din compartimentul congelatorului depășește 3 mm, se recomandă să decongeleți aparatul, deoarece stratul de gheață duce la creșterea consumului de energie.

- Opriiți aparatul și deconectați cablul de alimentare.
- Scoateți alimentele congelate și depozitați-le temporar într-un loc răcoros.
- Lăsați ușa congelatorului deschisă și colectați apa acumulată în partea inferioară a aparatului.
- Când decongelarea a luat sfârșit, ștergeți bine interiorul aparatului.
- Reconectați cablul de alimentare și setați valorile dorite.
- Așteptați un moment și reintroduceți alimentele congelate.

## Mod demo

Pentru a intra în modul demo, cu ecranul deblocat, țineți apăsată tasta Wi-Fi (B) și apăsați tasta MODE (C) de 5 ori în 5 secunde. Pentru a ieși din modul demo, efectuați aceeași operațiune sau opriți frigiderul.

## Coduri de eroare

- Eroare de comunicare

8 °C – 6 °C – 4 °C – 3 °C – 2 °C Indicatoarele LED se aprind secvențial, ceea ce înseamnă că a existat o eroare de comunicare între placa centrală de comandă și panoul de afișare. Vă rugăm să contactați departamentul de asistență tehnică pentru a vă ajuta să remediați problema

## UTILIZAREA WI-FI

### Procedura de asociere în aplicație

#### Pasul 1

- Descărcați aplicația hOn din magazinele digitale



#### Pasul 2

- Creați-vă contul în aplicația hOn sau conectați-vă dacă aveți deja un cont



#### Pasul 3

- Urmați instrucțiunile de asociere în aplicația hOn

## Utilizarea Wi-Fi

Când panoul de afișare este pornit, o scurtă apăsare a butonului Wi-Fi pornește sincronizarea, iar LED-ul Wi-Fi începe să lumineze intermitent. Urmați instrucțiunile din aplicație pentru a finaliza conexiunea.

Printr-un semnal sonor lung (1 sec) se confirmă stabilirea conexiunii, iar LED-ul rămâne aprins fix.

Dacă Wi-Fi nu a fost configurat încă, atunci când frigiderul pornește, acesta va intra automat în modul de configurare și va rămâne în această stare timp de 30 de minute. Pentru a utiliza modul de configurare:

- Țineți apăsată tasta Wi-Fi timp de 2 secunde. Frigiderul intră în modul de configurare Wi-Fi și va fi emis un semnal sonor. Pictograma Wi-Fi începe să lumineze intermitent.
- Urmați instrucțiunile aplicației pentru a configura Wi-Fi (consultați informațiile de mai sus).
- Odată ce Wi-Fi este configurat și conexiunea este stabilită, pictograma Wi-Fi este activată și va lumina continuu.
- După 30 de minute în care nu s-a efectuat nicio operație, Wi-Fi va ieși automat din modul de configurare.
- Dacă Wi-Fi este deja configurat, acesta se va reconecta automat potrivit informațiilor configurate.

Pentru a reseta Wi-Fi, apăsați lung tasta Wi-Fi – Mode timp de 2 secunde. Funcția Wi-Fi se va reseta și va fi emis un semnal sonor. După aceea, Wi-Fi va intra automat în starea de configurare (pictograma Wi-Fi va începe din nou să lumineze intermitent).

Pentru a dezactiva funcția Wi-Fi, apăsați tasta Wi-Fi timp de 3 secunde.

## Modul radio - Date tehnice

Rata de frecvență (OFR)	2400 MHz-2843.5 MHz
Frecvențele canalelor	2412...2472 MHz(dimensiunea pasului 5 MHz)
Putere maximă(EIRP)	100 mW

Tipul de echipament radio este în conformitate cu Directiva 2014/53/EU.

## DEPANARE

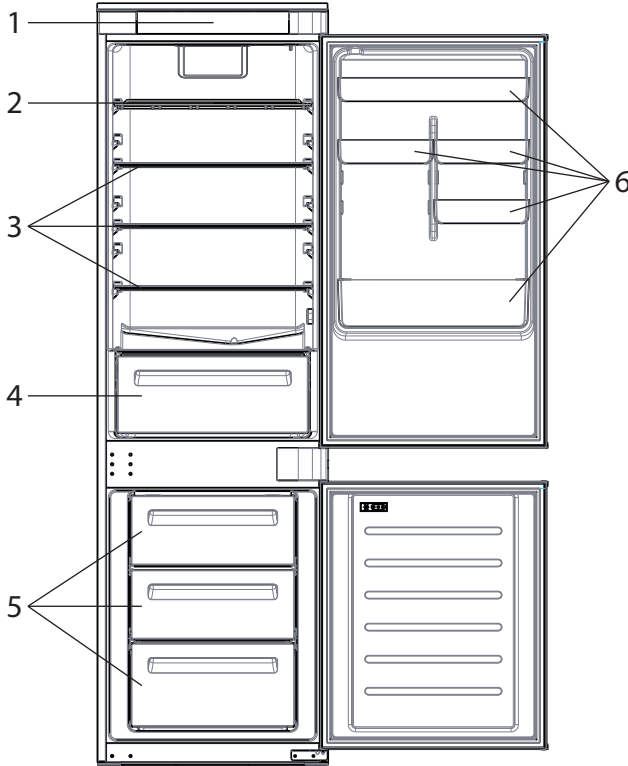
Becul interior nu se aprinde.	<ul style="list-style-type: none"> <li>• Lipsă electricitate.</li> </ul>	<ul style="list-style-type: none"> <li>• Cablul de alimentare nu este conectat corect.</li> <li>• Verificați dacă aparatul este oprit (consultați Reglarea temperaturii).</li> <li>• Verificați dacă priza electrică funcționează corect (de ex., cu un alt dispozitiv electric).</li> </ul>
	<ul style="list-style-type: none"> <li>• Este activat modul Holiday.</li> </ul>	<ul style="list-style-type: none"> <li>• Dezactivați modul Holiday.</li> </ul>
Temperatura internă a frigiderului și/sau a congelatorului nu este suficient de scăzută.	<ul style="list-style-type: none"> <li>• Ușile nu sunt închise.</li> </ul>	<ul style="list-style-type: none"> <li>• Verificați dacă ușa și garniturile se închid corespunzător.</li> </ul>
	<ul style="list-style-type: none"> <li>• Ușile sunt deschise frecvent.</li> </ul>	<ul style="list-style-type: none"> <li>• Evitați să deschideți ușile în mod inutil pentru o perioadă de timp.</li> </ul>
	<ul style="list-style-type: none"> <li>• Setare incorectă a temperaturii.</li> </ul>	<ul style="list-style-type: none"> <li>• Verificați setarea temperaturii și, dacă este posibil, setați o temperatură mai mică (consultați Reglarea temperaturii).</li> </ul>
	<ul style="list-style-type: none"> <li>• Frigiderul și/sau congelatorul sunt prea pline.</li> </ul>	<ul style="list-style-type: none"> <li>• Așteptați ca temperatura frigiderului/congelatorului să se stabilizeze.</li> <li>• Evitați să umpleți excesiv frigiderul și congelatorul.</li> </ul>
	<ul style="list-style-type: none"> <li>• Temperatura din jur este prea scăzută.</li> </ul>	<ul style="list-style-type: none"> <li>• Mutați aparatul într-un loc mai cald sau încălziți încăperea actuală.</li> </ul>
	<ul style="list-style-type: none"> <li>• Articolele calde au fost depozitate.</li> </ul>	<ul style="list-style-type: none"> <li>• Lăsați întotdeauna alimentele să se răcească înainte de a le depozita.</li> </ul>
Alimentele din frigider îngheață.	<ul style="list-style-type: none"> <li>• Setare incorectă a temperaturii.</li> </ul>	<ul style="list-style-type: none"> <li>• Verificați setarea temperaturii și, dacă este posibil, creșteți temperatura.</li> </ul>
	<ul style="list-style-type: none"> <li>• Alimente în contact cu peretele din spate.</li> </ul>	<ul style="list-style-type: none"> <li>• Țineți alimentele departe de peretele din spate al frigiderului.</li> </ul>
Partea inferioară a compartimentului frigiderului este umedă sau sunt prezente picături de apă.	<ul style="list-style-type: none"> <li>• Furtunul de scurgere ar putea fi înfundat.</li> </ul>	<ul style="list-style-type: none"> <li>• Curățați furtunul de scurgere cu un băț sau un obiect similar pentru a permite scurgerea apei.</li> </ul>
Prezența picăturilor de apă sau de îngheț pe peretele din spate al frigiderului.	<ul style="list-style-type: none"> <li>• În funcție de funcție, pe peretele din spate al frigiderului se formează picături de apă sau de îngheț în timpul funcționării.</li> </ul>	<ul style="list-style-type: none"> <li>• Acesta nu constituie un defect.</li> </ul>
	<ul style="list-style-type: none"> <li>• Articolele calde au fost depozitate.</li> </ul>	<ul style="list-style-type: none"> <li>• Lăsați întotdeauna alimentele să se răcească înainte de a le depozita.</li> </ul>
	<ul style="list-style-type: none"> <li>• Există recipiente deschise pentru alimente sau lichide.</li> </ul>	<ul style="list-style-type: none"> <li>• Acoperiți întotdeauna alimentele și lichidele.</li> </ul>
	<ul style="list-style-type: none"> <li>• Ușile nu sunt închise.</li> </ul>	<ul style="list-style-type: none"> <li>• Verificați dacă ușa și garniturile se închid corespunzător.</li> </ul>
	<ul style="list-style-type: none"> <li>• Ușile sunt deschise frecvent.</li> </ul>	<ul style="list-style-type: none"> <li>• Evitați să deschideți ușile în mod inutil pentru o perioadă de timp.</li> </ul>
Prezența apei în sertarul cu legume.	<ul style="list-style-type: none"> <li>• Lipsa de circulație a aerului.</li> </ul>	<ul style="list-style-type: none"> <li>• Verificați dacă aparatul nu este prea plin.</li> </ul>
	<ul style="list-style-type: none"> <li>• Legume și fructe cu prea multă umiditate.</li> </ul>	<ul style="list-style-type: none"> <li>• Înfășurați fructele și legumele în materiale plastice, de exemplu folie alimentară, pungi sau recipiente.</li> </ul>
Motorul funcționează continuu.	<ul style="list-style-type: none"> <li>• Ușile nu sunt închise.</li> </ul>	<ul style="list-style-type: none"> <li>• Asigurați-vă că ușile sunt închise și verificați dacă garniturile se închid corespunzător.</li> </ul>
	<ul style="list-style-type: none"> <li>• Ușile sunt deschise frecvent.</li> </ul>	<ul style="list-style-type: none"> <li>• Evitați să deschideți ușile în mod inutil pentru o perioadă de timp.</li> </ul>
	<ul style="list-style-type: none"> <li>• Temperatura ambiantă este foarte ridicată.</li> </ul>	<ul style="list-style-type: none"> <li>• Verificați dacă temperatura ambiantă se încadrează în intervalul stabilit în specificațiile de pe eticheta aparatului.</li> <li>• Setați ecranul de afișare/termostatul la o temperatură mai ridicată.</li> </ul>
	<ul style="list-style-type: none"> <li>• Aparatul a fost oprit (fără curent) pentru o perioadă de timp.</li> </ul>	<ul style="list-style-type: none"> <li>• În mod normal, aparatul are nevoie de 8-12 ore pentru a se răci complet.</li> </ul>
Alimentele congelate se dezgheață.	<ul style="list-style-type: none"> <li>• Temperatura mediului înconjurător este prea scăzută.</li> </ul>	<ul style="list-style-type: none"> <li>• Mutați aparatul într-un loc mai cald sau încălziți încăperea actuală.</li> </ul>
	<ul style="list-style-type: none"> <li>• Ușa congelatorului nu este închisă.</li> </ul>	<ul style="list-style-type: none"> <li>• Asigurați-vă că ușa este închisă și că garnitura de etanșare este etanșată corespunzător.</li> </ul>
Alarmă pentru ușa frigiderului.	<ul style="list-style-type: none"> <li>• Alarma pentru ușa frigiderului (semnal acustic) se activează ori de câte ori ușa este lăsată deschisă pentru mai mult de 3 minute.</li> </ul>	<ul style="list-style-type: none"> <li>• Evitați să lăsați ușa deschisă atunci când nu este necesar. Semnalul sonor încheiează atunci când ușa este închisă.</li> </ul>
Aparatul scoate zgomote precum gâlgăit, bâzâit, clic, scârțâit.	<ul style="list-style-type: none"> <li>• Fără defecțiuni. Funcționează un motor, de exemplu, o unitate de refrigerare, un ventilator. Agentul frigorific curge în conducte. Motorul, întrerupătoarele și electrovalvele sunt pornite sau oprite.</li> </ul>	<ul style="list-style-type: none"> <li>• Nu este necesară nicio acțiune.</li> </ul>
	<ul style="list-style-type: none"> <li>• Aparatul nu se află pe o suprafață dreaptă.</li> </ul>	<ul style="list-style-type: none"> <li>• Reglați suportul pentru a aduce aparatul la același nivel.</li> </ul>
	<ul style="list-style-type: none"> <li>• Aparatul atinge un obiect din jurul său.</li> </ul>	<ul style="list-style-type: none"> <li>• Îndepărtați obiectele din jurul aparatului.</li> </ul>
Aparatul nu se răcește, indicatoarele de temperatură și de iluminare sunt aprinse.	<ul style="list-style-type: none"> <li>• Modul demo este activat.</li> </ul>	<ul style="list-style-type: none"> <li>• Dezactivați modul DEMO.</li> </ul>
Gheață solidă în compartimentul congelatorului.	<ul style="list-style-type: none"> <li>• Alimentele nu au fost ambalate în mod corespunzător.</li> </ul>	<ul style="list-style-type: none"> <li>• Împachetați întotdeauna bine alimentele.</li> </ul>
	<ul style="list-style-type: none"> <li>• O ușă/un sertar al aparatului nu este închis(ă) etanș.</li> </ul>	<ul style="list-style-type: none"> <li>• Închideți ușa/sertarul.</li> </ul>
	<ul style="list-style-type: none"> <li>• Ușa/sertarul a fost deschis prea des sau pentru o perioadă prea mare de timp.</li> </ul>	<ul style="list-style-type: none"> <li>• Nu deschideți ușa/sertarul prea des.</li> </ul>
	<ul style="list-style-type: none"> <li>• Garnitura ușii/sertarului este murdară, uzată, crăpată sau așezată incorect.</li> </ul>	<ul style="list-style-type: none"> <li>• Curățați garnitura ușii/ sertarului sau înlocuiți-o cu una nouă.</li> </ul>
	<ul style="list-style-type: none"> <li>• Ceva din interior împiedică închiderea corectă a ușii/ sertarului.</li> </ul>	<ul style="list-style-type: none"> <li>• Repoziționați rafturile, rafturile de ușă sau recipientele interne pentru a permite închiderea ușii/sertarului.</li> </ul>
Partile laterale ale aparatului sunt calde.	<ul style="list-style-type: none"> <li>• Acest lucru este normal.</li> </ul>	

# Оглавление

---

ОПИСАНИЕ ПРОДУКТА .....	2
ИСПОЛЬЗОВАНИЕ.....	3
Использование .....	3
Управление режимом ожидания дисплея.....	4
Режимы .....	4
Настройка температуры в холодильнике .....	4
Настройка температуры в морозильной камере.....	4
Индивидуальная настройка температуры .....	5
Функция Super Cool .....	5
Функция Super Freeze .....	6
Режим Eco .....	6
Функция Holiday .....	7
Размораживание .....	7
Демонстрационный режим .....	7
Коды ошибок .....	7
Процедура сопряжения в приложении .....	8
Использование Wi-Fi .....	9
УСТРАНЕНИЕ НЕИСПРАВНОСТЕЙ .....	10

## ОПИСАНИЕ ПРОДУКТА



1. Панель управления
2. Полка для вина
3. Полки
4. Контейнер для овощей и фруктов
5. Морозильные камеры
6. Дверная полка

\* Максимальная энергосберегающая конфигурация требует, чтобы выдвижные ящики, ящик для продуктов и полки были расположены внутри прибора, а вентилятор выключен в соответствии с приведенными выше рисунками.

\*\* Изображения выше приведены только для справки. Фактическая конфигурация будет зависеть от физического продукта или заявления дистрибьютора.

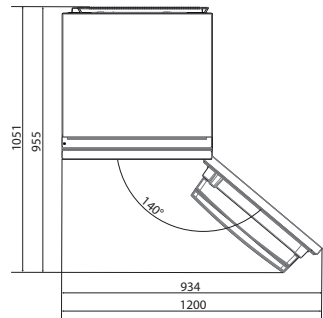
### Требования по размещению

Дверца прибора должна быть полностью открыта, как показано на рисунке. Свободного места достаточно для удобного открывания дверец и ящиков.

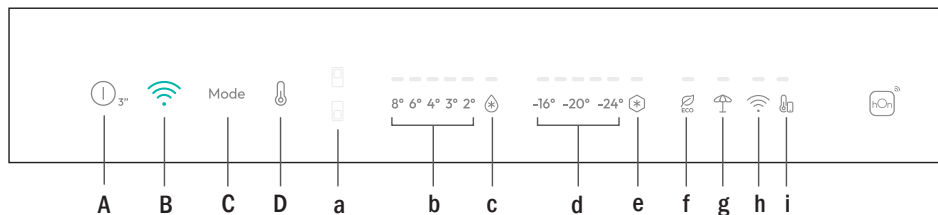
Соблюдайте расстояние не менее 50 мм между боковыми стенками изделия и прилегающими деталями.

540 мм Шкаф: Ширина: 934 мм  
Глубина: 955 мм

700 мм Шкаф: Ширина: 1200 мм  
Глубина: 1051 мм



# ИСПОЛЬЗОВАНИЕ



- A. Кнопка ВКЛ/ВЫКЛ, нажать на 3 секунды. Включение устройства сопровождается длинным звуковым сигналом (1 с).
- B. Кнопка Wi-Fi, используется для подключения прибора
- C. Кнопка Mode, используется для выбора между Холодильником, Морозильником, Эко и Выходными
- D. Кнопка TEMP, используется для выбора между уровнями температуры (также Super Cool и Super Freeze)
  - a. Значок холодильного/морозильного отсека, показывающий, какой отсек устройства выбран
  - b. Уровни температуры холодильника, показывающие, какая температура выбрана
  - c. Значок Super Cool, показывает, активирована ли функция Super Cool
  - d. Показатели температуры в морозильном отсеке, показывающие выбранную температуру в морозильном отсеке
  - e. Значок Super Freeze, показывает, активирована ли функция Super Freeze
  - f. Значок режима Eco, показывает, активирован ли экологичный режим
  - g. Значок функции Holiday, показывает, активирована ли функция отпуска
  - h. Значок Wi-Fi, показывает, работает ли функция Wi-Fi и подключен ли прибор
  - i. Значок индивидуальной настройки температуры, показывает, была ли температура выбрана в приложении

## Использование

- Подключите прибор, и он автоматически включится с продолжительным звуковым сигналом (1 с). Загорятся все светодиоды (1 с), затем загорятся светодиоды температуры холодильника и морозильника.
- Температура автоматически устанавливается на уровне 4 °C в холо-дильном отсеке и -18 °C в морозильном отсеке.

**ПРИМЕЧАНИЕ.** Подождите не менее 2/3 часа, прежде чем класть продукты в прибор, для достижения надлежащей температуры внутри холодильника.
- В случае обесточивания будет восстановлен последний заданный уровень охлаждения.
- Чтобы восстановить настройки по умолчанию, удерживайте дверной выключатель внутри холодильника и одновременно нажмите и удерживайте кнопку ВКЛ/ВЫКЛ в течение 5 секунд.
- В нормальных условиях эксплуатации (весной и осенью) рекомендуется устанавливать температуру 4 °C. Летом, когда температура окружающей среды высока, рекомендуется установить температуру 6~8 °C, чтобы гарантировать температуру холодильного отсека и морозильной камеры и сократить время непрерывной работы прибора; а зимой, когда температура окружающей среды низкая, рекомендуется установить температуру 3~4 °C, чтобы избежать частых запусков/остановок прибора.

## Управление режимом ожидания дисплея

- Если дверь закрыта -> дисплей в режиме ожидания (все светодиоды выключены)
- Если дверца открыта -> индикатор текущей температуры холодильника и индикатор температуры морозильной камеры включены (горят постоянно).
- Индикатор режима ECO + индикатор режима Holiday включаются (горят постоянно), если были выбраны ранее.
- Дисплей готов к приему входных сигналов (не нужно активировать его прикосновением).

## Режимы

Кнопка Mode (режим) используется для переключения между различными режимами:

Настройка температуры в холодильнике → Настройка температуры в морозильной камере → Режим ECO → Режим Holiday Настройка температуры в холодильнике...

Загорается соответствующий индикатор, и выбор сразу подтверждается (без мигания). Выбор подтверждается коротким звуковым сигналом.

## Настройка температуры в холодильнике

При включенной панели дисплея выберите «Настройка температуры в холодильнике», нажав кнопку MODE. Загорается индикатор зоны холодильника.

Нажмите и удерживайте кнопку TEMP до тех пор, пока не будет установлена желаемая температура.

Значение температуры меняется следующим образом: 8°C -> 6°C -> 4°C -> 3°C -> 2°C -> Суперохлаждение -> 8°C...

Загорается соответствующий индикатор, и выбор сразу подтверждается (без мигания). Выбор подтверждается коротким звуковым сигналом.

## Настройка температуры в морозильной камере

При включенной панели дисплея выберите «Настройка температуры в морозильной камере», нажав кнопку MODE. Загорается индикатор зоны морозильной камеры.

Нажмите и удерживайте кнопку TEMP до тех пор, пока не будет установлена желаемая температура. Значение температуры меняется следующим образом: -16°C -> -18°C -> -20°C -> -22°C -> -24°C -> Суперзаморозка -> -16°C...

Загорается соответствующий индикатор, и выбор сразу подтверждается (без мигания). Выбор подтверждается коротким звуковым сигналом.

## Обратите внимание:

Переключение из холодильной зоны в морозильную и наоборот происходит мгновенно, когда пользователь нажимает кнопку MODE. Выбор сразу же становится активным

Индикаторы температуры не мигают



## **Индивидуальная настройка температуры**

Для холодильного отсека можно выбрать температуру от 2 °С до 8 °С, а для морозильной камеры – от -16 °С до -24 °С. Если температуру выбирают в приложении, загорается значок индивидуальной настройки температуры, а все индикаторы температуры соответствующего отсека выключаются (т.е. если в приложении выбрана температура холодильного отсека, индикаторы от 2 °С до 8 °С выключаются).

Если в приложении выбрана температура морозильной камеры, индикаторы от -16 °С до -24 °С выключаются).

Если температура индивидуально настроена только для одной области (морозильная камера или холодильник), выбранная температура для другой области не изменяется, и индикатор выбранной температуры этой области остается включенным.

Длинный звуковой сигнал (1 с) подтверждает подключение.

## **Функция Super Cool**

Рекомендуется включить функцию Super Cool, если требуется поместить на хранение большое количество продуктов (например, после покупки). Функция Super Cool ускоряет охлаждение свежих продуктов и защищает уже хранящиеся товары от нежелательного нагрева. Когда эта функция активирована, для холодильного отсека автоматически устанавливается температура 2 °С.

Как использовать функцию Super Cool:

- Эту функцию можно активировать длительным нажатием кнопки TEMP для выбора холодильного отсека с последующим быстрым нажатием кнопки TEMP до тех пор, пока не загорится светодиодный индикатор Super Cool; либо эту функцию можно включить в приложении. Когда функция активирована, светодиодный индикатор Super Cool будет постоянно включен.
- Чтобы выключить функцию Super Cool, нажмите кнопку TEMP; либо выключите эту функцию в приложении.

- Функция Super Cool автоматически выключается по истечении более 12 часов после ее активации.
- Когда функция Super Cool выключается, значок на панели управления отключается, и восстанавливается ранее установленный уровень охлаждения.

**Примечание.** Функции Super Cool и Super Freeze не могут быть активированы одновременно.

### **Функция Super Freeze**

Функция суперзаморозки ускоряет замораживание свежих продуктов и защищает уже хранящиеся в морозильной камере продукты от нежелательного нагрева. Если необходимо заморозить большое количество продуктов, рекомендуется активировать функцию Super-Freeze за 24 часа перед использованием. Когда функция активирована, температура автоматически устанавливается на -22 °C.

Как использовать функцию Super Freeze:

- Функцию можно активировать длительным нажатием кнопки TEMP для выбора морозильной камеры с последующим быстрым нажатием кнопки TEMP до тех пор, пока не загорится светодиодный индикатор Super Freeze; либо эту функцию можно включить в приложении. Когда функция активирована, светодиодный индикатор Super Freeze будет постоянно включен.
- Чтобы выключить функцию Super Freeze, нажмите кнопку TEMP; либо выключите эту функцию в приложении.
- Функция Super Freeze автоматически выключается по истечении более 50 часов после ее активации.
- Когда Super Freeze выключается, значок на панели управления отключается, и восстанавливается ранее установленный уровень замораживания.

**Примечание.** Функции Super Cool и Super Freeze не могут быть активированы одновременно.

### **Режим Есо**

Режим Есо можно активировать для оптимизации производительности прибора с обеспечением лучших условий хранения продуктов питания. Режим Есо автоматически установит температуру 4 °C в холодильном отсеке и -18 °C в морозильной камере.

Как использовать режим Есо:

- Функцию можно активировать с панели управления, нажимая кнопку «mode» до тех пор, пока не загорится значок режима Есо (звуковой сигнал подтверждает выбор), или выбирая функцию в приложении. Когда функция активирована, значок режима Есо всегда ВКЛЮЧЕН.
- Чтобы выйти из режима Есо, выключите его в приложении или выберите другую функцию на панели управления.
- Когда режим Есо выключится, значок на панели управления отключается, и восстанавливаются ранее установленные уровни охлаждения.

## Функция Holiday

Функцию Holiday можно использовать для снижения энергопотребления устройства, если оно не используется регулярно. Когда эта функция активирована, светодиодные индикаторы будут выключены (даже если дверца открыта), а холодильный отсек переключится в режим низкого энергопотребления, в то время как морозильная камера будет работать обычным образом.

Как использовать функцию Holiday:

- Функцию можно активировать с панели управления, нажимая кнопку «mode» до тех пор, пока не загорится значок Holiday (звуковой сигнал подтверждает выбор), либо выбирая функцию в приложении. Когда функция активирована, значок Holiday всегда включен.
- Чтобы выключить функцию Holiday, выключите ее в приложении или выберите другую функцию на панели управления.
- Когда функция Holiday выключится, значок на панели управления отключается, и восстанавливаются ранее установленные уровни охлаждения.

## Размораживание

Если слой изморози в морозильной камере превышает 3 мм, рекомендуется выполнить размораживание, так как изморозь увеличивает энергопотребление.

- Выключите прибор и отсоедините кабель питания.
- Выньте замороженные продукты и временно поместите их в прохладное место.
- Оставьте дверцу морозильной камеры открытой и собирайте воду, скапливающуюся на дне прибора.
- После завершения размораживания тщательно вытрите внутренние поверхности прибора.
- Заново подключите шнур питания и задайте нужные настройки.
- Немного подождите и положите в прибор замороженные продукты.

## Демонстрационный режим

Чтобы перейти в демонстрационный режим с разблокированным дисплеем, удерживайте нажатой кнопку Wi-Fi (B) и нажмите кнопку MODE (C) 5 раз в течение 5 секунд. Чтобы выйти из демонстрационного режима, выполните ту же операцию или выключите холодильник.

## Коды ошибок

- Ошибка обмена данными

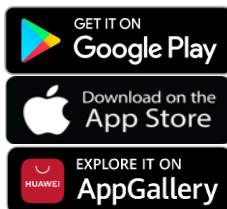
Светодиодные индикаторы 8 °C – 6 °C – 4 °C – 3 °C – 2 °C включаются последовательно; это означает, что произошла ошибка обмена данными между главной платой управления и платой дисплея. Обратитесь в службу технической поддержки для получения помощи в решении проблемы

## ИСПОЛЬЗОВАНИЕ WI-FI

### Процедура сопряжения в приложении

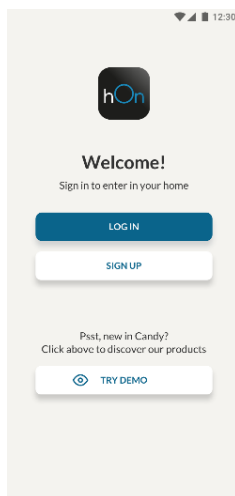
#### Шаг 1

- Скачайте приложение hOn



#### Шаг 2

- Создайте учетную запись в приложении hOn или войдите в систему, если у вас уже есть учетная запись



#### Шаг 3

- Следуйте инструкциям по сопряжению в приложении hOn

## Использование Wi-Fi

При включенной панели дисплея короткое нажатие на кнопку Wi-Fi запускает синхронизацию, а индикатор Wi-Fi начинает мигать. Чтобы завершить подключение, следуйте инструкциям в приложении.

Длинный звуковой сигнал (1 с) подтверждает, что соединение установлено, при этом индикатор остается включенным.

Если Wi-Fi еще не настроен, при включении холодильника он автоматически перейдет в режим конфигурирования и останется в этом статусе еще на 30 минут. Чтобы использовать режим конфигурирования:

- Нажимайте кнопку Wi-Fi в течение 2 секунд; холодильник перейдет в режим конфигурирования Wi-Fi и подаст звуковой сигнал. Значок Wi-Fi начинает мигать.
- Следуйте инструкциям в приложении для настройки Wi-Fi (см. выше).
- После настройки Wi-Fi и установления соединения значок Wi-Fi включается и постоянно светится.
- Через 30 минут без каких-либо действий функция Wi-Fi автоматически выйдет из режима конфигурирования.
- Если Wi-Fi уже настроен, он автоматически подключится в соответствии с данными конфигурации.

Чтобы сбросить настройку Wi-Fi, нажмите и удерживайте кнопку Wi-Fi – Mode в течение 2 секунд; настройка Wi-Fi будет сброшена, и будет подан звуковой сигнал. После этого функция Wi-Fi автоматически перейдет в состояние конфигурирования (значок Wi-Fi снова начнет мигать).

Чтобы отключить функцию Wi-Fi, нажимайте кнопку Wi-Fi 3 секунд.

## Радиомодуль - Технические характеристики

Частота (OFR)	2400 MHz-2843.5 MHz
Частоты канала	2412...2472 MHz(размер шага5 MHz)
Максимальная мощность(EIRP)	100 mW

Тип радиооборудования соответствует Директиве 2014/53/EU.

## УСТРАНЕНИЕ НЕИСПРАВНОСТЕЙ

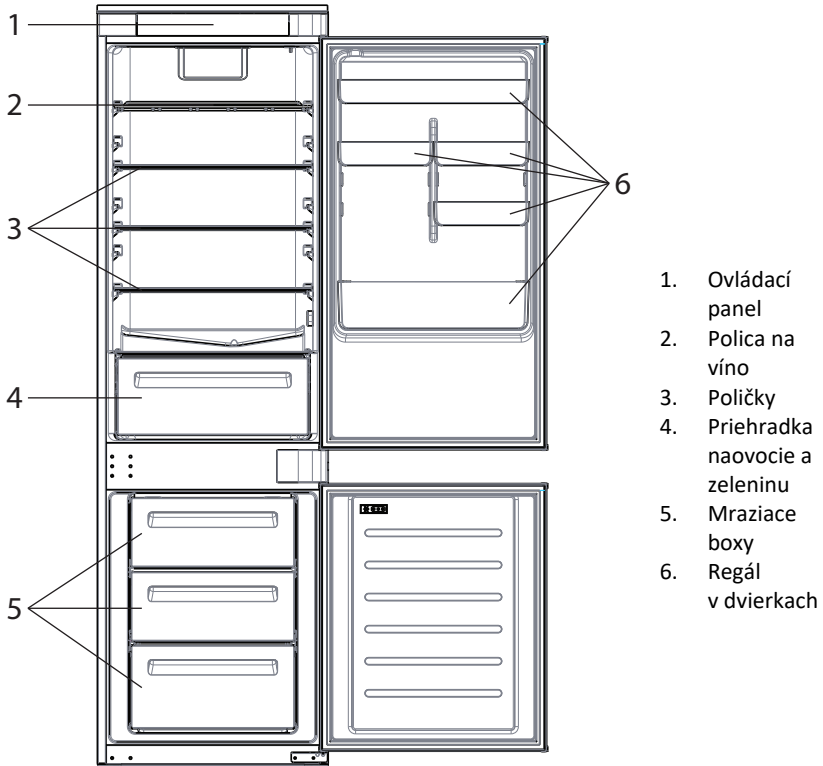
<p>Внутренняя лампочка не включается.</p>	<ul style="list-style-type: none"> <li>● Отсутствие электричества.</li> <li>● Режим Holiday активирован.</li> </ul>	<ul style="list-style-type: none"> <li>● Кабель питания неправильно подключен.</li> <li>● Проверьте, не выключен ли прибор (см. Регулировка температуры).</li> <li>● Убедитесь, что розетка работает правильно (например, с другим электрическим устройством).</li> <li>● Отключите режим Holiday.</li> </ul>
<p>Внутренняя температура холодильника и (или) морозильной камеры недостаточна низкая.</p>	<ul style="list-style-type: none"> <li>● Дверцы не закрыты.</li> <li>● Дверцы часто открываются.</li> <li>● Неправильная настройка температуры.</li> <li>● Холодильник и (или) морозильная камера переполнены.</li> <li>● Температура окружающей среды слишком низкая.</li> <li>● На хранение помещены теплые продукты питания.</li> </ul>	<ul style="list-style-type: none"> <li>● Убедитесь, что дверца и уплотнения закрыты должным образом.</li> <li>● Не открывайте дверцы без необходимости в течение некоторого времени.</li> <li>● Проверьте настройку температуры и, если возможно, установите более низкую температуру (см. Регулировка температуры).</li> <li>● Подождите, пока температура холодильника/морозильной камеры стабилизируется.</li> <li>● Избегайте чрезмерного заполнения холодильника и морозильной камеры.</li> <li>● Переместите устройство в более теплое место или нагрейте текущее помещение.</li> <li>● Перед помещением на хранение обязательно давайте продуктам остыть.</li> </ul>
<p>Пища в холодильнике замерзает.</p>	<ul style="list-style-type: none"> <li>● Неправильная настройка температуры.</li> <li>● Пища контактирует с задней стенкой.</li> </ul>	<ul style="list-style-type: none"> <li>● Проверьте настройку температуры и, если возможно, увеличьте температуру.</li> <li>● Храните продукты подальше от задней стенки холодильника.</li> </ul>
<p>Дно холодильной камеры мокрое или присутствуют капли воды.</p>	<ul style="list-style-type: none"> <li>● Сливной шланг может быть засорен.</li> </ul>	<ul style="list-style-type: none"> <li>● Очистите сливной шланг с помощью палочки или аналогичного предмета, чтобы вода стекала.</li> </ul>
<p>Наличие капель воды или изморози на задней стенке холодильника.</p>	<ul style="list-style-type: none"> <li>● В зависимости от функции во время работы на задней стенке холодильника образуются капли воды или изморозь.</li> <li>● На хранение помещены теплые продукты питания.</li> <li>● Есть открытые контейнеры для пищевых продуктов или жидкости.</li> <li>● Дверцы не закрыты.</li> <li>● Дверцы часто открываются.</li> </ul>	<ul style="list-style-type: none"> <li>● Это не дефект.</li> <li>● Перед помещением на хранение обязательно давайте продуктам остыть.</li> <li>● Всегда покрывайте продукты питания и жидкости.</li> <li>● Убедитесь, что дверца и уплотнения закрыты должным образом.</li> <li>● Не открывайте дверцы без необходимости в течение некоторого времени.</li> </ul>
<p>Наличие воды в ящике для овощей.</p>	<ul style="list-style-type: none"> <li>● Отсутствие циркуляции воздуха.</li> <li>● Овощи и фрукты со слишком большим количеством влаги.</li> </ul>	<ul style="list-style-type: none"> <li>● Убедитесь, что прибор не переполнен.</li> <li>● Оберните фрукты и овощи пластиковыми материалами, например, пищевой пленкой, или поместите их в пакеты либо контейнеры.</li> </ul>
<p>Двигатель работает непрерывно.</p>	<ul style="list-style-type: none"> <li>● Дверцы не закрыты.</li> <li>● Дверцы часто открываются.</li> <li>● Температура окружающей среды очень высокая.</li> <li>● Прибор был выключен (не было питания) в течение некоторого времени.</li> </ul>	<ul style="list-style-type: none"> <li>● Убедитесь, что дверца закрыта, и проверьте правильность закрытия уплотнений.</li> <li>● Не открывайте дверцы без необходимости в течение некоторого времени.</li> <li>● Убедитесь, что температура окружающей среды находится в диапазоне, указанном в характеристиках на этикетке устройства.</li> <li>● Установите экран дисплея/термостат на более высокую температуру.</li> <li>● Обычно прибору требуется 8-12 часов, чтобы полностью остыть.</li> </ul>
<p>Замороженные продукты оттаивают.</p>	<ul style="list-style-type: none"> <li>● Окружающая температура слишком низкая.</li> <li>● Дверца морозильной камеры не закрыта.</li> </ul>	<ul style="list-style-type: none"> <li>● Переместите устройство в более теплое место или нагрейте текущее помещение.</li> <li>● Убедитесь, что дверца закрыта, а уплотнение герметично.</li> </ul>
<p>Сигнализация открытой дверцы холодильника.</p>	<ul style="list-style-type: none"> <li>● Сигнализация открытой дверцы холодильника (звуковой сигнал) срабатывает всякий раз, когда дверца остается открытой более 3 минут.</li> </ul>	<ul style="list-style-type: none"> <li>● Не оставляйте дверцу открытой, когда в этом нет необходимости. Звуковой сигнал прекращается, когда дверца закрывается.</li> </ul>
<p>Прибор издает такие звуки, как бульканье, жужжание, щелканье, скрип.</p>	<ul style="list-style-type: none"> <li>● Никаких поломок. Работает двигатель, например, холодильная установка, вентилятор. Хладагент поступает в трубки. Двигатель, переключатели и электромагнитные клапаны включаются или выключаются.</li> <li>● Прибор не расположен на ровной поверхности.</li> <li>● Прибор прикасается к какому-то предмету рядом с ним.</li> </ul>	<ul style="list-style-type: none"> <li>● Никаких действий не требуется.</li> <li>● Отрегулируйте ножки, чтобы выровнять прибор.</li> <li>● Удалите предметы вокруг прибора.</li> </ul>
<p>Прибор не охлаждается, индикаторы температуры и освещения включены.</p>	<ul style="list-style-type: none"> <li>● Демонстрационный режим активирован.</li> </ul>	<ul style="list-style-type: none"> <li>● Отключите ДЕМОНСТРАЦИОННЫЙ режим.</li> </ul>
<p>Сильная наледь и изморозь в морозильной камере.</p>	<ul style="list-style-type: none"> <li>● Продукты не были надлежащим образом упакованы.</li> <li>● Дверца/ящик прибора не закрыты плотно.</li> <li>● Дверца/ящик открывались слишком часто или на слишком большое время.</li> <li>● Уплотнение дверцы/ящика загрязнено, изношено, потрескалось или не соответствует требованиям.</li> <li>● Что-то внутри не позволяет дверце/ящику закрыться должным образом.</li> </ul>	<ul style="list-style-type: none"> <li>● Всегда тщательно упаковывайте продукты.</li> <li>● Закройте дверцу/ящик.</li> <li>● Не открывайте дверцу/ящик слишком часто.</li> <li>● Очистите уплотнение дверцы/ящика или замените его новым.</li> <li>● Переместите полки, дверные полки или внутренние контейнеры, чтобы дверца/ящик закрылись.</li> </ul>
<p>Боковые стенки прибора теплые.</p>	<ul style="list-style-type: none"> <li>● Это нормально.</li> </ul>	

# Zhrnutie

---

POPIS PRODUKTU .....	2
POUŽITIE .....	3
Použitie .....	3
Správa pohotovostného režimu displeja.....	4
Režimy .....	4
Nastavenie teploty chladničky .....	4
Nastavenie teploty mrazničky .....	4
Prispôsobená teplota .....	5
Funkcia Super Cool .....	5
Funkcia Super Freeze .....	6
Režim Eko .....	6
Funkcia Holiday .....	7
Odmrazovanie .....	7
Režim ukážky .....	7
Chybové kódy .....	7
V režime párovania aplikácie .....	8
Používanie Wi-Fi .....	9
RIEŠENIE PROBLÉMOV .....	10

## POPIS PRODUKTU



\* Konfigurácia, ktorá najviac šetrí energiu, vyžaduje, aby boli zásuvky, box na potraviny a police umiestnené v produkte a aby bol vypnutý ventilátor. Pozrite si obrázky vyššie.

\*\* Obrázky vyššie sú len referenčné. Skutočná konfigurácia bude závisieť od fyzického produktu alebo vyjadrenia distribútora.

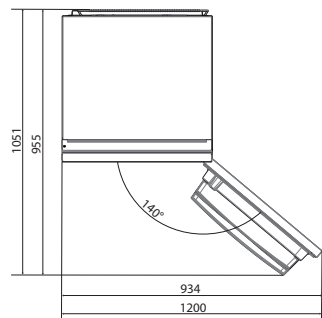
### Požiadavky na priestor

Dvere spotrebiča sa musia dať úplne otvoriť tak, ako je to zobrazené. Produkt umiestnite tak, aby ste mali dostatok miesta na pohodlné otváranie dverí a zásuviek.

Medzi bočnými stenami výrobku a priľahlými časťami dodržujte vzdialenosť aspoň 50 mm.

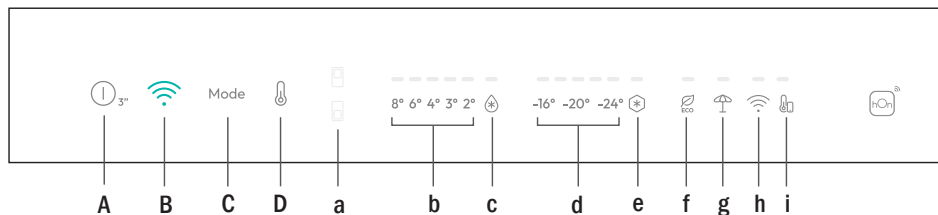
540 mm Skrinka: Šírka: 934 mm  
Hĺbka: 955 mm

700 mm Skrinka: Šírka: 1200 mm  
Hĺbka: 1051 mm





## POUŽITIE



- A. Vypínač sa používa na zapnutie/vypnutie spotrebiča, stlačte 3 sekundy. Spotrebič sa zapne, zaznie dlhý zvukový signál spätnej väzby (1 s).
- B. Tlačidlo Wi-Fi sa používa na pripojenie spotrebiča
- C. Tlačidlo Mode sa používa na výber medzi chladničkou, mrazničkou, eko a dovolenkou
- D. Tlačidlo teploty sa používa na výber medzi úrovňami teploty (tiež Super Cool a Super Freeze)
  - a. Ikona oblasti chladničky/mrazničky zobrazuje, ktorá priehradka v spotrebiči je vybraná
  - b. Úrovne teploty chladničky, ukazujú, ktorá teplota je zvolená
  - c. Ikona Super Cool zobrazuje, či je funkcia Super Cool
  - d. Úrovne teploty mrazničky, ukazujú, ktorá teplota je zvolená v mrazničke
  - e. Ikona Super Freeze zobrazuje, či je aktivovaná funkcia Super Freeze
  - f. Ikona režimu Eko, zobrazuje, či je aktivovaný ekonomický režim
  - g. Ikona funkcie Holiday zobrazuje, či je aktivovaná funkcia dovolenky
  - h. Ikona Wi-Fi, zobrazuje, či Wi-Fi funguje a spotrebič je pripojený
  - i. Ikona prispôsobenej teploty zobrazuje, či bola teplota vybraná aplikáciou

### Použitie

- Zapojte spotrebič a automaticky sa zapne s dlhou akustickou spätnou väzbou (1 sekunda). Všetky LED diódy sa rozsvietia (1 sekunda), potom sa LED kontrolka teploty chladničky a LED mrazničky rozsvietia napevno.
- Teplota sa v chladničke automaticky nastaví na 4 °C a v mrazničke na -18 °C.  
**POZNÁMKA** : Pred vložením jedla do spotrebiča počkajte aspoň 2/3 hodiny, aby sa zabezpečila teplota vo vnútri chladničky.
- V prípade straty napájania sa obnoví posledná nastavená úroveň chladenia.
- Ak chcete obnoviť pôvodné nastavenie, podržte stlačený spínač dverí vo vnútri chladničky a súčasne stlačte vypínač na 5 sekúnd.
- Za normálnych prevádzkových podmienok (na jar a na jeseň) sa odporúča nastaviť teplotu na 4 °C. V lete, pri vysokej teplote okolia sa odporúča nastaviť teplotu na 6 – 8 °C, aby sa zaručila teplota chladničky a mrazničky a znížila doba nepretržitej prevádzky chladničky; a v zime, pri nízkej teplote okolia sa odporúča nastaviť teplotu na 3 – 4 °C, aby sa zabránilo častému zapínaniu/vypínaniu chladničky.

## **Správa pohotovostného režimu displeja**

- Ak sú dvere zatvorené -> displej je v pohotovostnom režime (všetky LED kontrolky vypnuté)
- Ak sú dvere otvorené -> LED aktuálnej teploty chladničky a LED teploty mrazničky svietia (nepreerušovane).
- Ak ste predtým vybrali režimy ECO a Holiday, príslušné LED ostanú svietiť (nepreerušovane).
- Displej je pripravený na príjem vstupov (nie je potrebné aktivovať ho dotykom).

## **Režimy**

Tlačidlo režimu sa používa na prepínanie medzi rôznymi režimami.

Príslušná LED sa rozsvieti a výber sa okamžite potvrdí (bez blikania).

Krátky zvukovsignál sptnej vzby potvrdzuje vber.

## **Nastavenie teploty chladničky**

Keď je panel displeja zapnutý, zvolte „nastavenie teploty chladničky“ stlačením tlačidla MODE. LED oblasti chladničky sa rozsvieti.

Stláčajte tlačidlo „TEMP“, kým sa nenastaví požadovaná teplota.

Hodnota teploty sa mení nasledujúcim spôsobom: 8°C -> 6°C -> 4°C -> 3°C -> 2°C -> super chladenie -> 8°C... Príslušná LED sa rozsvieti a výber sa okamžite potvrdí (bez blikania).

Krátky zvukovsignál sptnej vzby potvrdzuje vber.

## **Nastavenie teploty mrazničky**

Keď je panel displeja zapnutý, zvolte „nastavenie teploty mrazničky“ stlačením tlačidla MODE. LED oblasti mrazničky sa rozsvieti.

Stláčajte tlačidlo „TEMP“, kým sa nenastaví požadovaná teplota.

Teplota sa mení nasledujúcim spôsobom: -16°C -> -18°C -> -20°C -> -22°C -> -24°C -> Super mrazenie -> -16°C...

Príslušná LED sa rozsvieti a výber sa okamžite potvrdí (bez blikania).

Krátky zvukovsignál sptnej vzby potvrdzuje vber.

## **Treba poznamenať, že:**

Prepnutie z oblasti chladničky na mrazničku a naopak je okamžité, keď používateľ stlačí tlačidlo MODE, pričom výber bude aktívny okamžite LED teploty neblíkajú.

## **Prispôsobená teplota**

V chladničke sa dá teplota nastaviť od 2 °C do 8 °C a v mrazničke od -16 °C do -24 °C. Keď je teplota zvolená aplikáciou, rozsvieti sa ikona prispôsobenej teploty, zatiaľ čo všetky LED kontrolky teploty príslušného priestoru sú vypnuté (t. j. ak je prostredníctvom aplikácie zvolená teplota chladničky, sú vypnuté LED kontrolky od 2 °C do 8 °C.

Ak je prostredníctvom aplikácie zvolená teplota mrazničky, sú vypnuté LED kontrolky od -16 °C do -24 °C.)

Ak má prispôsobenú teplotu iba jedna oblasť (mraznička alebo chladnička), výber teploty druhej oblasti sa nezmení a LED kontrolka vybranej teploty tejto oblasti zostane svietiť.

Dlhý zvukový signál spätnej väzby (1 s) potvrdzuje, že pripojenie je dokončené.

## **Funkcia Super Cool**

Funkciu Super Cool vám odporúčame zapnúť vtedy, keď sa chystáte uskladniť väčšie množstvo potravín (napríklad po nákupe). Funkcia Super-Cool urýchľuje chladenie čerstvých potravín a chráni už uskladnené potraviny pred nežiaducim ohriatím. Keď je táto funkcia aktivovaná, teplota chladničky sa automaticky nastaví na 2 °C.

Ako používať funkciu Super Cool:

- Túto funkciu je možné aktivovať dlhým stlačením tlačidla teploty pre výber chladničky a potom rýchlym stlačením tlačidla teploty, až kým sa nerozsvieti ikona Super Cool. Túto funkciu môžete zapnúť aj z aplikácie. Keď je táto funkcia aktivovaná, LED kontrolka Super Cool je vždy zapnutá.
- Ak chcete ukončiť funkciu Super Cool, stlačte tlačidlo teploty alebo ju vypnite z aplikácie.
- Funkcia Super Cool sa automaticky ukončí, keď bola v prevádzke dlhšie ako 12 hodín.
- Po ukončení funkcie Super Cool sa ikona na ovládacom paneli vypne a obnoví sa predtým nastavená úroveň chladenia.

**Poznámka:** Funkcie Super Cool a Super Freeze nie je možné aktivovať súčasne.

## Funkcia Super Freeze

Funkcia super mrazenia urýchľuje zmrazenie čerstvých potravín a chráni už uskladnené potraviny pred nežiaducim ohriatím. Ak je potrebné zmraziť veľké množstvo potravín, odporúčame vám, aby ste nastavili funkciu Super Freeze na 24 hodín pred použitím. Keď je táto funkcia aktivovaná, teplota sa automaticky nastaví na -22 °C.

Ako používať funkciu Super Freeze:

- Túto funkciu môžete spustiť dlhým stlačením tlačidla teploty, aby ste vybrali priehradku mrazničky a potom rýchlym stlačením tlačidla teploty, kým sa nezapne LED kontrolka ikony Super Freeze alebo ju môžete zapnúť z aplikácie. Keď je táto funkcia aktivovaná, LED kontrolka Super Freeze je vždy zapnutá.
- Ak chcete ukončiť funkciu Super Freeze, stlačte tlačidlo teploty alebo ju vypnite z aplikácie.
- Funkcia Super Freeze sa automaticky ukončí, keď bola v prevádzke viac ako 50 hodín.
- Po ukončení funkcie Super Freeze sa príslušná ikona na ovládacom paneli vypne a obnoví sa predtým nastavená úroveň mrazenia.

**Poznámka:** Funkcie Super Cool a Super Freeze nie je možné aktivovať súčasne.

## Režim Eko

Režim Eko je možné aktivovať na optimalizáciu výkonu spotrebiča a zároveň dosiahnuť najlepšieho uskladnenie potravín. Režim Eko automaticky nastaví teplotu na 4 °C v chladničke a na -18 °C v mrazničke.

Ako používať režim Eko:

- Funkciu je možné aktivovať z ovládacieho panela stláčaním tlačidla „mode“, kým sa nezapne ikona režimu Eko (výber potvrdí akustický signál), alebo výberom funkcie z aplikácie. Keď je funkcia aktivovaná, ikona režimu Eko je vždy zapnutá.
- Ak chcete ukončiť funkciu Eko, vypnite ju z aplikácie alebo vyberte inú funkciu z ovládacieho panela.
- Po ukončení funkcie Eko sa príslušná ikona na ovládacom paneli vypne a obnovia sa predtým nastavené úrovne chladenia.

## Funkcia Holiday

Funkciu Holiday je možné použiť na zníženie spotreby energie spotrebiča, ak sa pravidelne nepoužíva. Keď je táto funkcia zapnutá, LED diódy zhasnú (aj keď sú dvere otvorené) a chladnička bude pracovať v režime nízkej spotreby energie, zatiaľ čo mraznička bude naďalej fungovať normálne.

Ako používať funkciu Holiday:

- Funkciu je možné aktivovať z ovládacieho panela stláčaním tlačidla „mode“, kým sa nezapne ikona funkcie Holiday (výber potvrdí akustický signál), alebo výberom funkcie z aplikácie. Keď je táto funkcia aktivovaná, ikona Holiday je vždy zapnutá.
- Ak chcete ukončiť funkciu Holiday, vypnite ju z aplikácie alebo vyberte inú funkciu z ovládacieho panela.
- Po ukončení funkcie Holiday sa príslušná ikona na ovládacom paneli vypne a obnovia sa predtým nastavené úrovne chladenia.

## Odmrazovanie

Keď vrstva námrazy v mraziacom priestore presiahne 3 mm, odporúča sa pokračovať v odmravovaní, pretože to zvyšuje spotrebu energie.

- Vypnite spotrebič a odpojte napájací kábel.
- Vyberte zmrazené potraviny a dočasne ich umiestnite na chladné miesto.
- Dvere mrazničky nechajte otvorené a vodu zbierajte na dne výrobku.
- Po dokončení rozmrazovania dôkladne vysušte interiér.
- Znovu pripojte napájací kábel a nastavte požadované hodnoty.
- Chvíľu počkajte a znovu vložte zmrazené potraviny.

## Režim ukážky

Ak chcete prejsť do režimu ukážky s odomknutým displejom, držte stlačené tlačidlo Wi-Fi (B) a do 5 sekúnd 5-krát stlačte tlačidlo MODE (C). Ak chcete ukončiť režim ukážky, vykonajte rovnakú činnosť alebo vypnite chladničku.

## Chybové kódy

- Chyba komunikácie

LED kontrolky 8 °C – 6 °C – 4 °C – 3 °C – 2 °C sa rozsvetujú postupne, čo znamená, že došlo k chybe komunikácie medzi hlavnou ovládacou doskou a zobrazovacou doskou. Kontaktujte technickú pomoc, ktorá vám pomôže problém vyriešiť.

## POUŽÍVANIE WI-FI

### V režime párovania aplikácie

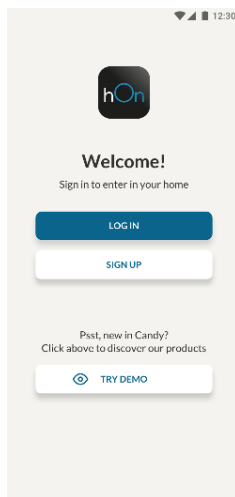
#### Krok 1

- Stiahnite si aplikáciu hOn z obchodov



#### Krok 2

- Vytvorte si účet v aplikácii hOn alebo sa prihláste, ak už účet máte



#### Krok 3

- Postupujte podľa pokynov na párovanie v aplikácii hOn

## Používanie Wi-Fi

Keď je panel displeja zapnutý, krátkym stlačením tlačidla Wi-Fi sa spustí synchronizácia a začne blikať LED Wi-Fi. Pripojenie dokončte podľa pokynov v aplikácii.

Dlhý zvukový signál spätnej väzby (1 s) potvrdí, že spojenie je naviazané a LED ostane svietiť neprerušovane.

Ak ešte nebola Wi-Fi sieť konfigurovaná po zapnutí chladničky, automaticky prejde do konfiguračného režimu a tento stav sa zachová po dobu 30 minút. Konfiguračný režim:

- Stlačte tlačidlo Wi-Fi na 2 sek. Chladnička prejde do režimu konfigurácie Wi-Fi a zaznie akustický signál. Ikona Wi-Fi začne blikať.
- Ak chcete konfigurovať Wi-Fi, postupujte podľa pokynov v aplikácii (pozrite vyššie).
- Po konfigurácii Wi-Fi a vytvorení pripojenia ikona Wi-Fi svieti.
- Po 30 minútach bez vykonania akejkoľvek činnosti Wi-Fi automaticky opustí režim konfigurácie.
- Ak už bola Wi-Fi sieť konfigurovaná, automaticky sa znovu pripojí podľa konfiguračných informácií.

Ak chcete resetovať Wi-Fi, stlačte tlačidlo Wi-Fi – Mode na 2 sek. Wi-Fi sa resetuje a zaznie akustický signál. Následne Wi-Fi automaticky prejde do stavu konfigurácie (ikona Wi-Fi začne znovu blikať).

Ak chcete vypnúť Wi-Fi, stlačte tlačidlo Wi-Fi na 3 sek.

## Rádiový modul - Technické údaje

Frekvencia (OFR)	2400 MHz-2843.5 MHz
Frekvencie kanálov	2412...2472 MHz(veľkosť kroku 5 MHz)
Maximálny výkon(EIRP)	100 mW

Typ rádiového zariadenia je v súlade so smernicou 2014/53/EU.

## RIEŠENIE PROBLÉMOV

Vnútna žiarovka sa nezapne.	<ul style="list-style-type: none"> <li>• Prerušené elektrické napájanie.</li> </ul>	<ul style="list-style-type: none"> <li>• Nesprávny elektrický kábel.</li> <li>• Skontrolujte, či je spotrebič vypnutý (pozri Nastavenie teploty).</li> <li>• Skontrolujte, či elektrická zásuvka funguje správne (napr. použitím iného elektrického spotrebiča).</li> </ul>
	<ul style="list-style-type: none"> <li>• Je aktivovaný režim Holiday.</li> </ul>	<ul style="list-style-type: none"> <li>• Deaktivujte režim Holiday.</li> </ul>
Vnútna teplota chladničky a/alebo mrazničky nie je dostatočne nízka.	<ul style="list-style-type: none"> <li>• Dvere nie sú zatvorené.</li> </ul>	<ul style="list-style-type: none"> <li>• Skontrolujte, či sú dvere zatvorené a ich tesnenia.</li> </ul>
	<ul style="list-style-type: none"> <li>• Často otvárate dvere.</li> </ul>	<ul style="list-style-type: none"> <li>• Určitú dobu sa vyhňte zbytočnému otváraniu dverí.</li> </ul>
	<ul style="list-style-type: none"> <li>• Nesprávne nastavenie teploty.</li> </ul>	<ul style="list-style-type: none"> <li>• Skontrolujte nastavenie teploty, a ak je to možné, nastavte nižšiu teplotu (pozri Úprava teploty).</li> </ul>
	<ul style="list-style-type: none"> <li>• Chladnička a/alebo mraznička sú príliš plné.</li> </ul>	<ul style="list-style-type: none"> <li>• Počkajte, kým sa teplota chladničky/mrazničky nestabilizuje.</li> <li>• Vyhnite sa nadmernému plneniu chladničky a mrazničky.</li> </ul>
	<ul style="list-style-type: none"> <li>• Teplota okolia je príliš nízka.</li> </ul>	<ul style="list-style-type: none"> <li>• Presuňte jednotku na teplejšie miesto alebo aktuálnu miestnosť vykúrite.</li> </ul>
	<ul style="list-style-type: none"> <li>• Do spotrebiča ste vložili teplé predmety.</li> </ul>	<ul style="list-style-type: none"> <li>• Pred vložením položiek ich vždy nechajte vychladnúť.</li> </ul>
Jedlo v chladničke zamrzne.	<ul style="list-style-type: none"> <li>• Nesprávne nastavenie teploty.</li> </ul>	<ul style="list-style-type: none"> <li>• Skontrolujte nastavenie teploty, a ak je to možné, zvýšte teplotu.</li> </ul>
	<ul style="list-style-type: none"> <li>• Potraviný sú v kontakte so zadnou stenou.</li> </ul>	<ul style="list-style-type: none"> <li>• Potraviný ukladajte tak, aby sa nedotýkali zadnej steny chladničky.</li> </ul>
Dno chladiaceho priestoru je mokré alebo sú prítomné kvapôčky.	<ul style="list-style-type: none"> <li>• Vypúšťacia hadica by mohla byť upchatá.</li> </ul>	<ul style="list-style-type: none"> <li>• Vyčistite vypúšťaciu hadicu tyčinkou alebo podobným predmetom, aby ste umožnili odtok vody.</li> </ul>
Prítomnosť kvapiek vody alebo námrazy na zadnej stene chladničky.	<ul style="list-style-type: none"> <li>• V závislosti od funkcie sa počas prevádzky na zadnej stene chladničky vytvárajú kvapky vody alebo námraza.</li> </ul>	<ul style="list-style-type: none"> <li>• Nie je to chyba.</li> </ul>
	<ul style="list-style-type: none"> <li>• Do spotrebiča ste vložili teplé predmety.</li> </ul>	<ul style="list-style-type: none"> <li>• Pred vložením položiek ich vždy nechajte vychladnúť.</li> </ul>
	<ul style="list-style-type: none"> <li>• V spotrebiči sú otvorené nádoby na potraviny alebo kvapaliny.</li> </ul>	<ul style="list-style-type: none"> <li>• Jedlá a kvapaliny vždy zakryte.</li> </ul>
	<ul style="list-style-type: none"> <li>• Dvere nie sú zatvorené.</li> </ul>	<ul style="list-style-type: none"> <li>• Skontrolujte, či sú dvere zatvorené a ich tesnenia.</li> </ul>
	<ul style="list-style-type: none"> <li>• Často otvárate dvere.</li> </ul>	<ul style="list-style-type: none"> <li>• Určitú dobu sa vyhňte zbytočnému otváraniu dverí.</li> </ul>
Prítomnosť vody v zásuvke na zeleninu.	<ul style="list-style-type: none"> <li>• Nedostatočná cirkulácia vzduchu.</li> </ul>	<ul style="list-style-type: none"> <li>• Skontrolujte, či váš spotrebič nie je príliš plný.</li> </ul>
	<ul style="list-style-type: none"> <li>• Príliš vlhká zelenina a ovocie.</li> </ul>	<ul style="list-style-type: none"> <li>• Ovocie a zeleninu vhodne zabaľte, napr. do kuchynskej fólie, vreciek alebo nádob.</li> </ul>
Motor je nepretržite zapnutý.	<ul style="list-style-type: none"> <li>• Dvere nie sú zatvorené.</li> </ul>	<ul style="list-style-type: none"> <li>• Uistite sa, že dvere sú zatvorené a skontrolujte, či tesnenia správne dolehadajú.</li> </ul>
	<ul style="list-style-type: none"> <li>• Dvere sa často otvárajú.</li> </ul>	<ul style="list-style-type: none"> <li>• Určitú dobu sa vyhňte zbytočnému otváraniu dverí.</li> </ul>
	<ul style="list-style-type: none"> <li>• Teplota okolia je veľmi vysoká.</li> </ul>	<ul style="list-style-type: none"> <li>• Skontrolujte, či je teplota okolia v rozsahu stanovenom v špecifikáciách na štítku spotrebiča.</li> <li>• Nastavte displej/termostat na vyššiu teplotu.</li> </ul>
	<ul style="list-style-type: none"> <li>• Spotrebič bol nejaký čas vypnutý (bez elektrického napájania).</li> </ul>	<ul style="list-style-type: none"> <li>• Zvyčajne trvá 8 – 12 hodín, kým spotrebič úplne vychladne.</li> </ul>
Mrazené jedlo sa rozmrazuje.	<ul style="list-style-type: none"> <li>• Teplota okolia je príliš nízka.</li> </ul>	<ul style="list-style-type: none"> <li>• Presuňte jednotku na teplejšie miesto alebo aktuálnu miestnosť vykúrite.</li> </ul>
	<ul style="list-style-type: none"> <li>• Dvere mrazničky nie sú zatvorené.</li> </ul>	<ul style="list-style-type: none"> <li>• Skontrolujte, či sú dvere zatvorené a či je tesnenie správne ušesnené.</li> </ul>
Alarm dverí chladničky.	<ul style="list-style-type: none"> <li>• Alarm dverí chladničky (zvuk pípnutia) sa aktivuje vždy, keď sú dvere otvorené dlhšie ako 3 minúty.</li> </ul>	<ul style="list-style-type: none"> <li>• Nenechávajte dvere otvorené, keď to nie je potrebné. Pípnutie sa zastaví zatvorením dverí.</li> </ul>
Spotrebič vydáva zvuky, ako je bublanie, bzučanie, klikanie, vzrжание.	<ul style="list-style-type: none"> <li>• Žiadne poruchy. Motor je v chode, napr. chladiaca jednotka, ventilátor. Chladivo prúdi do potrubí. Motor, spínače a elektromagnetické ventily sú zapnuté alebo vypnuté.</li> </ul>	<ul style="list-style-type: none"> <li>• Nie je potrebný žiadny úkon.</li> </ul>
	<ul style="list-style-type: none"> <li>• Spotrebič nie je umiestnený na rovnom povrchu.</li> </ul>	<ul style="list-style-type: none"> <li>• Nastavte nožičky a vyrovnajte spotrebič do vodorovnej polohy.</li> </ul>
	<ul style="list-style-type: none"> <li>• Spotrebič sa dotýka susedného predmetu.</li> </ul>	<ul style="list-style-type: none"> <li>• Odstráňte predmety v okolí spotrebiča.</li> </ul>
Spotrebič nechladí, svietia kontrolky teploty a osvetlenia.	<ul style="list-style-type: none"> <li>• Je aktivovaný režim Demo.</li> </ul>	<ul style="list-style-type: none"> <li>• Vypnite DEMO režim.</li> </ul>
V mrazničke je silná vrstva ľadu a námrazy.	<ul style="list-style-type: none"> <li>• Položky neboli vhodne zabalené.</li> </ul>	<ul style="list-style-type: none"> <li>• Položky vždy dobre zabaľte.</li> </ul>
	<ul style="list-style-type: none"> <li>• Netesne zatvorené dvere/zásuvka spotrebiča.</li> </ul>	<ul style="list-style-type: none"> <li>• Zatvorte dvere/zásuvku.</li> </ul>
	<ul style="list-style-type: none"> <li>• Dvere/zásuvka boli otvorené príliš často alebo príliš dlho.</li> </ul>	<ul style="list-style-type: none"> <li>• Neotvárajte dvere/zásuvku príliš často.</li> </ul>
	<ul style="list-style-type: none"> <li>• Tesnenie dverí/zásuvky je znečistené, opotrebované, prasknuté alebo nevhodné.</li> </ul>	<ul style="list-style-type: none"> <li>• Vyčistite tesnenie dverí/zásuvky alebo ho vymeňte za nové.</li> </ul>
<ul style="list-style-type: none"> <li>• Niečo na vnútornej strane bráni správne zatvoreniu dverí/zásuvky.</li> </ul>	<ul style="list-style-type: none"> <li>• Premiestnite police, priehradky na dverách alebo vnútorné zásobníky tak, aby sa dali dvere/zásuvka zatvoriť.</li> </ul>	
Boky spotrebiča sú teplé.	<ul style="list-style-type: none"> <li>• Je to normálne.</li> </ul>	

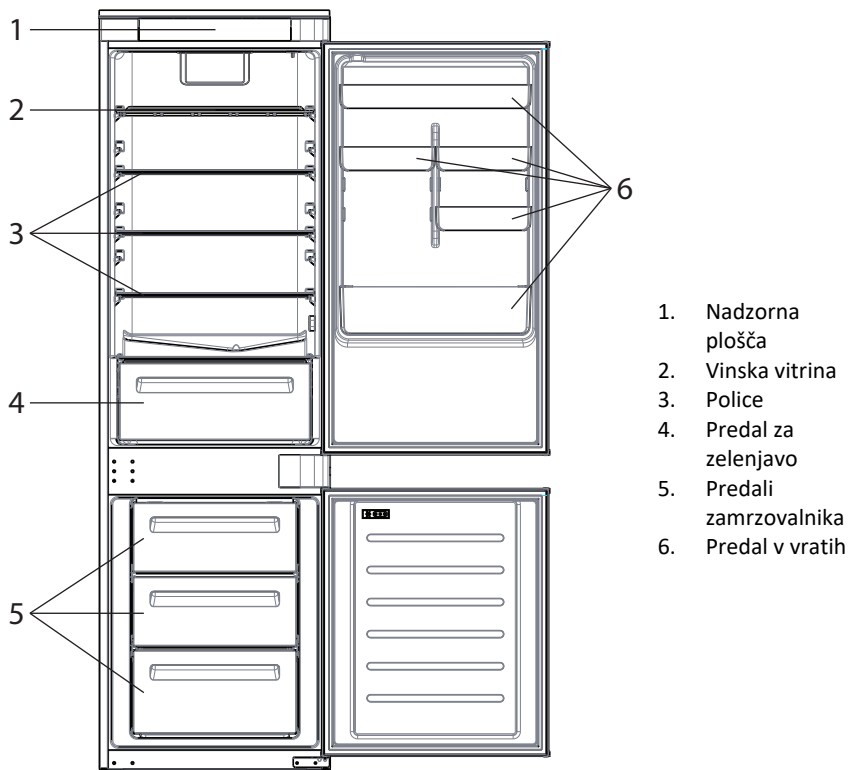


# Povzetek

---

OPIS IZDELKA .....	2
UPORABA .....	3
Uporaba .....	3
Upravljanje zaslona v stanju pripravljenosti.....	4
Načini .....	4
Nastavitev temperature hladilnika .....	4
Nastavitev temperature zamrzovalnika .....	4
Temperatura po meri.....	5
Funkcija Super Cool.....	5
Funkcija Super Freeze .....	6
Način ECO .....	6
Funkcija Holiday .....	7
Odmrzovanje .....	7
Predstavitveni način .....	7
Kodenapak.....	7
Postopek seznanitve v aplikaciji.....	8
Uporaba Wi-Fi .....	9
ODPRAVLJANJE TEŽAV .....	10

## OPIS IZDELKA



\* Pri najbolj varčni konfiguraciji morajo biti v izdelku nameščeni predali, škatle za hrano in police, ventilator pa mora biti izključen, glejte zgornje slike.

\*\* Zgornje slike so samo za ilustracijo. Dejanska konfiguracija bo odvisna od fizičnega izdelka ali izjave distributerja.

### Prostorske zahteve

Vrata enote se morajo popolnoma odpreti tako, kot je prikazano. Prihranite dovolj prostora za priročno odpiranje vrat in predalov.

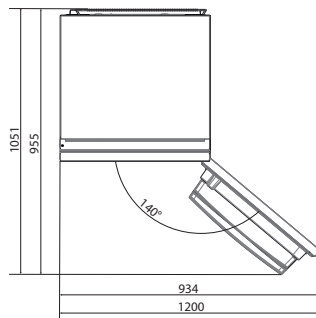
Med stranskimi stenami izdelka in sosednjimi deli držite razdaljo najmanj 50 mm.

540 mm Omarica: Širina: 934 mm

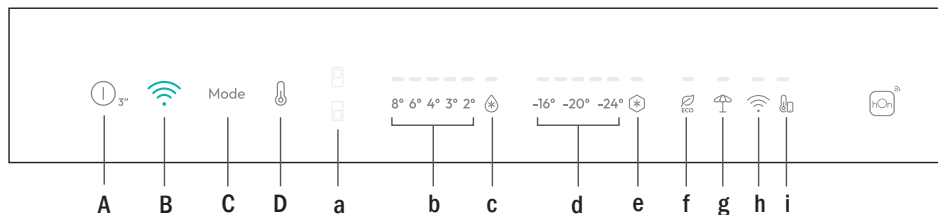
Globina: 955 mm

700 mm Omara: Širina: 1200 mm

Globina: 1051 mm



## UPORABA



- A. Tipka za VKLOP/IZKLOP za vklop/izklop aparata, pritisnite 3 sekunde. Aparat se vklopi z dolgim zvočnim signalom (1 sekunda).
  - B. Tipka Wi-Fi, ki se uporablja za priključitev naprave
  - C. Tipka Mode, uporablja se za izbiro med Hladilnik, Zamrzovalnik, Eko in Počitnice
  - D. Tipka TEMP, uporablja se za izbiro med stopnjami temperature (tudi Super Cool in Super Freeze)
- a. Ikona območja hladilnika/zamrzovalnika, prikazuje kateri predelek naprave je izbran
  - b. Ravni temperature kažejo, katera temperatura je izbrana
  - c. Ikona Super Cool, prikazuje, ali je funkcija Super Cool aktivirana
  - d. Ravni temperature kažejo, katera temperatura je izbrana za zamrzovalnik
  - e. Ikona Super Freeze, prikazuje, ali je funkcija Super Freeze aktivirana
  - f. Ikona ekološkega načina prikazuje, ali je ekološki način aktiviran
  - g. Ikona funkcije Holiday prikazuje, ali je funkcija Holiday aktivirana
  - h. Ikona Wi-Fi, prikazuje, ali Wi-Fi deluje in je naprava priključena
  - i. Ikona prilagojene temperature, prikažite, ali je bila temperatura izbrana z aplikacijo

### Uporaba

- Aparat priključite na električno omrežje in samodejno se vklopi z dolgim zvočnim odzivom (1 sekunda). Vse LED-lučke se prižgejo (1 sekunda), nato pa LED za temperaturo hladilnika in LED za zamrzovalnik svetita stalno.
- Temperatura se samodejno nastavi na 4 °C v hladilniku in -18 °C v zamrzovalniku. **OPOMBA:** preden živilo date v aparat, počakajte vsaj 2 do 3 ure, da zagotovite temperaturo v hladilniku.
- V primeru izgube moči se obnovi zadnja nastavljena raven hlajenja.
- Če želite obnoviti privzeto nastavitve, držite pritisnjeno stikalo za vrata znotraj hladilnika in hkrati 5 sekund pritisnite tipko za VKLOP/IZKLOP.
- V normalnih pogojih delovanja (spomladi in jeseni) je priporočljivo nastaviti temperaturo na 4 °C. Poleti ali kadar je temperatura okolice visoka, je priporočljivo, da temperaturo nastavite na 6 – 8 °C, da zagotovite temperature hladilnika in zamrzovalnika ter skrajšate čas neprekinjenega delovanja hladilnika; pozimi ali kadar je temperatura okolice nizka, je priporočljivo nastaviti temperaturo na 3 – 4 °C, da se izognete pogostim vklopom/izklopom hladilnika.

## Upravljanje zaslona v stanju pripravljenosti

- Če so vrata zaprta -> zaslon v stanju pripravljenosti (vse LED diode ugasnjene)
- Če so vrata odprta -> LED trenutne temperature hladilnika in LED temperature zamrzovalnika svetita (fiksno).
- LED dioda načina ECO + LED dioda načina Holiday sta vklopljeni (fiksni), če sta bili predhodno izbrani.
- Zaslon je pripravljen za sprejemanje vnosov (ni ga treba aktivirati z dotikom).

## Načini

Gumb za način se uporablja za preklop med različnimi načini:

Nastavitev temperature hladilnika → Nastavitev temperature zamrzovalnika →

Način ECO → Način Holiday → Nastavitev temperature hladilnika ...

Zasveti ustrezna lučka LED in izbira se takoj potrdi (brez utripanja).

Kratek zvočni signal potrdi izbiro.

## Nastavitev temperature hladilnika

Pri vklopljenem zaslonu s pritiskom na gumb MODE izberite »nastavitev temperature hladilnika«. Zasveti lučka LED za območje hladilnika.

Pritiskajte gumb »TEMP«, da nastavite želeno temperaturo.

Vrednost temperature se spreminja tako: 8 °C -> 6 °C -> 4 °C -> 3 °C -> 2 °C -> super hlajenje -> 8 °C ...

Zasveti ustrezna lučka LED in izbira se takoj potrdi (brez utripanja).

Kratek zvočni signal potrdi izbiro.

Nastavitev temperature zamrzovalnika

Pri vklopljenem zaslonu s pritiskom na gumb MODE izberite »nastavitev temperature zamrzovalnika«. Zasveti lučka LED za območje zamrzovalnika.

Pritiskajte gumb »TEMP«, da nastavite želeno temperaturo.

Temperaturna vrednost se spreminja tako: -16 °C -> -18 °C -> -20 °C -> -22 °C -> -24 °C -> Super zamrzovanje -> -16 °C ...

Zasveti ustrezna lučka LED in izbira se takoj potrdi (brez utripanja).

Kratek zvočni signal potrdi izbiro.

## Opomba:

Preklop iz območja hladilnika v območje zamrzovalnika in obratno je takojšen, ko uporabnik pritisne gumb MODE, in izbira postane takoj aktivna.

Lučke LED za temperaturo ne utripajo.

## Temperatura po meri

V aplikaciji je mogoče prilagoditi temperaturo hladilnika in zamrzovalnika. Temperaturo lahko nastavite z občutljivostjo 1 °C. Temperaturo lahko izberete med 2 °C in 8 °C v hladilniku ter med -16 °C in -24 °C v zamrzovalniku.

Ko aplikacija izbere temperaturo, se vklopi ikona prilagojene temperature, medtem ko so vse temperaturne LED lučke prizadetega predelka izklopljene (t.j. če je temperatura hladilnika izbrana iz aplikacije, se LED lučke od 2 °C do 8 °C izklopijo). Če izberete temperaturo zamrzovalnika iz aplikacije, se LED diode od -16 °C do -24 °C izklopijo). Če ima samo eno območje (zamrzovalnik ali hladilnik) prilagojeno temperaturo, se izbira temperature drugega območja ne spremeni in LED lučka izbrane temperature tega območja ostane vklopljena. Ob vsaki spremembi temperature se odda zvočni signal. Dolga zvočna povratna informacija (1 sekunda) potrjuje, da je povezava končana.

## Funkcija Super Cool

Priporočamo, da funkcijo Super Cool vklopite, ko je treba shraniti večjo količino hrane (na primer po nakupu). Funkcija Super-Cool pospeši hlajenje sveže hrane in ščiti blago, ki je že shranjeno, pred neželenim segrevanjem. Ko je funkcija aktivirana, se temperatura hladilnika samodejno nastavi na 2°C.

Kako uporabljati funkcijo Super Cool:

- Funkcijo lahko aktivirate z dolgim pritiskom na tipko TEMP, da izberete predelek hladilnika, nato pa hitro pritiskajte na tipko TEMP, dokler se ne vklopi ikona za Super Cool, lahko pa jo vklopite tudi iz aplikacije. Ko je funkcija aktivirana, bo LED dioda Super Cool vedno vklopljena.
- Za izhod iz funkcije Super Cool pritisnite tipko TEMP ali jo izklopite iz aplikacije.
- Funkcija Super Cool se samodejno konča po več kot 12 urah delovanja funkcije.
- Ko se Super Cool konča, se ustrezna ikona nadzorne plošče izklopi in povrne se predhodno nastavljena raven hlajenja.

**Opomba:** Funkcij Super Cool in Super Freeze ni mogoče aktivirati hkrati.

## **Funkcija Super Freeze**

Funkcija hitre zamrznitve pospeši zamrzovanje svežih živil in ščiti blago, ki je že shranjeno pred neželenim segrevanjem. Če treba zamrzniti večjo količino živil, priporočamo, da funkcijo Super Freeze pred uporabo nastavite na 24 ur. Ko je funkcija aktivirana, se temperatura hladilnika samodejno nastavi na -22 °C.

Kako uporabljati funkcijo Super Freeze:

- Funkcijo lahko zaženete z dolgim pritiskom na tipko TEMP, da izberete zamrzovalni predal, nato pa hitro pritiskajte na tipko TEMP, dokler se ne vklopi LED ikona Super Freeze, lahko pa jo vklopite tudi iz aplikacije. Ko je funkcija aktivirana, je LED dioda Super Freeze vedno vklopljena.
- Za izhod iz funkcije Super Freeze pritisnite tipko TEMP ali jo izklopite iz aplikacije.
- Funkcija Super Freeze se samodejno konča po več kot 50 urah delovanja.
- Ko se Super Freeze konča, se ustrezna ikona nadzorne plošče izklopi in povrne se predhodno nastavljena raven hlajenja.

**Opomba:** Funkcij Super Cool in Super Freeze ni mogoče aktivirati hkrati.

## **Način ECO**

Način Eco lahko aktivirate, da optimizirate delovanje naprave, hkrati pa zagotovite najboljše shranjevanje živil. Način Eco temperaturo samodejno nastavi na 4 °C v hladilniku in -18 °C v zamrzovalniku.

Kako uporabljati Eco:

- Funkcijo lahko aktivirate z nadzorne plošče s pritiskom na tipko »mode«, dokler se ne vklopi ikona Eco mode (zvočni signal potrdi izbiro), ali z izbiro funkcije iz aplikacije. Ko je funkcija aktivirana, je ikona načina Eco vedno vklopljena.
- Če želite zapustiti Eco, ga izklopite iz aplikacije ali izberite drugo funkcijo na nadzorni plošči.
- Ko se način Eco konča, se ustrezna ikona nadzorne plošče izklopi in povrne se predhodno nastavljena raven hlajenja.

## **Funkcija Holiday**

S pomočjo funkcije Holiday lahko naprava porabi manj energije, kadar je ne uporabljate redno. Ko je funkcija vključena, lučke LED ne bodo svetile (tudi če so vrata odprta) in hladilnik bo deloval v načinu nizke porabe energije, medtem ko bo zamrzovalnik deloval kot običajno.

Kako uporabljati funkcijo Holiday:

- Funkcijo lahko aktivirate z nadzorne plošče s pritiskom na tipko »mode«, dokler se ikona za Holiday ne vklopi (zvočni signal potrdi izbiro), lahko pa jo izberete tudi iz aplikacije. Ko je funkcija aktivirana, bo ikona Holiday vedno vklopljena.
- Če želite funkcijo Holiday zapustiti, jo izklopite iz aplikacije ali izberite drugo funkcijo na nadzorni plošči.
- Ko se funkcija Holiday konča, se ustrezna ikona nadzorne plošče izklopi in povrne se predhodno nastavljena raven hlajenja.

## **Odmrzovanje**

Ko plast zmrzali v zamrzovalnem predelu preseže 3 mm, je priporočljivo nadaljevati z odmrzovanjem, saj poveča porabo energije.

- Izklopite aparat in odklopite napajalni kabel.
- Odstranite zamrznjeno živilo in ga začasno postavite na hladno.
- Vrata zamrzovalnika pustite odprta in odstranite vodo na dnu izdelka.
- Ko je odmrzovanje končano, notranjost temeljito posušite.
- Znova priključite napajalni kabel in nastavite zelene vrednosti.
- Počakajte trenutek in ponovno vstavite zamrznjena živila.

## **Predstavitveni način**

Če želite vstopiti v demo način, ko je zaslon odklenjen, držite pritisnjeno tipko Wi-Fi (B) in pritisnite tipko MODE (C) 5-krat v 5 sekundah. Če želite zapustiti demo način, izvedite enak postopek ali izklopite hladilnik.

## **Kode napak**

- Napaka v komunikaciji

Kode napak

LED luči 8 °C – 6 °C – 4 °C – 3 °C - 2 °C se vklopijo zaporedno, kar pomeni, da je prišlo do komunikacijske napake med glavno nadzorno ploščo in prikazovalno ploščo. Za pomoč pri reševanju težave se obrnite na tehnično pomoč

## UPORABA WI-FI

### Postopek seznanitve v aplikaciji

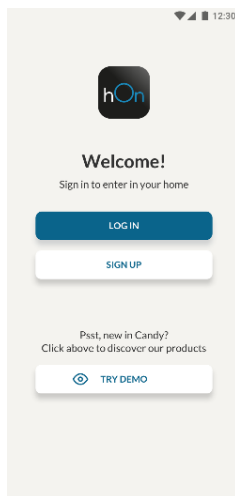
#### 1. korak

- Prenesite aplikacijo hOn s spletnih trgovin z aplikacijami



#### 2. korak

- Ustvarite svoj račun v aplikaciji hOn ali se prijavite, če račun že imate



#### 3. korak

- Sledite navodilom za seznanjanje v aplikaciji hOn



## Uporaba Wi-Fi

Ko je zaslon vklopljen, se s kratkim pritiskom na gumb Wi-Fi začne sinhronizacija in LED dioda Wi-Fi začne utripati. Sledite navodilom v aplikaciji, da dokončate povezavo.

Dolga zvočna povratna informacija (1 sekunda) potrjuje, da je povezava vzpostavljena in lučka LED ostane prižgana.

Če Wi-Fi še ni konfiguriran, bo hladilnik ob vklopu samodejno vstopil v konfiguracijski način in ohranil to stanje 30 minut. Če želite uporabiti konfiguracijski način:

- Držite tipko Wi-Fi 2 sekundi, hladilnik se preklopi v način konfiguracije Wi-Fi in zasliši se zvočni signal. Ikona Wi-Fi začne utripati.
- Sledite navodilom aplikacije za konfiguriranje Wi-Fi (glejte zgoraj).
- Ko je Wi-Fi konfiguriran in povezava vzpostavljena, je ikona Wi-Fi vklopljena in popravljena.
- Po 30 minutah brez izvajanja kakršne koli operacije Wi-Fi samodejno zapusti konfiguracijski način.
- Če je Wi-Fi že konfiguriran, se bo samodejno znova povezal v skladu s podatki o konfiguraciji.

Če želite Wi-Fi ponastaviti, držite tipko Wi-Fi – Mode 2 sekundi, Wi-Fi se ponastavi in sproži se zvočni signal. Nato bo Wi-Fi samodejno vstopil v stanje konfiguracije (ikona Wi-Fi bo spet začela utripati).

Za izklop Wi-Fi držite tipko Wi-Fi 3 sekund.

## Radijski modul - Tehnični podatki

Frekvenca (OFR)	2400 MHz-2843.5 MHz
Frekvence kanala	2412...2472 MHz(velikost koraka 5 MHz)
Največja moč(EIRP)	100 mW

Vrsta radijske opreme je v skladu z Direktivo 2014/53/EU.

## ODPRAVLJANJE TEŽAV

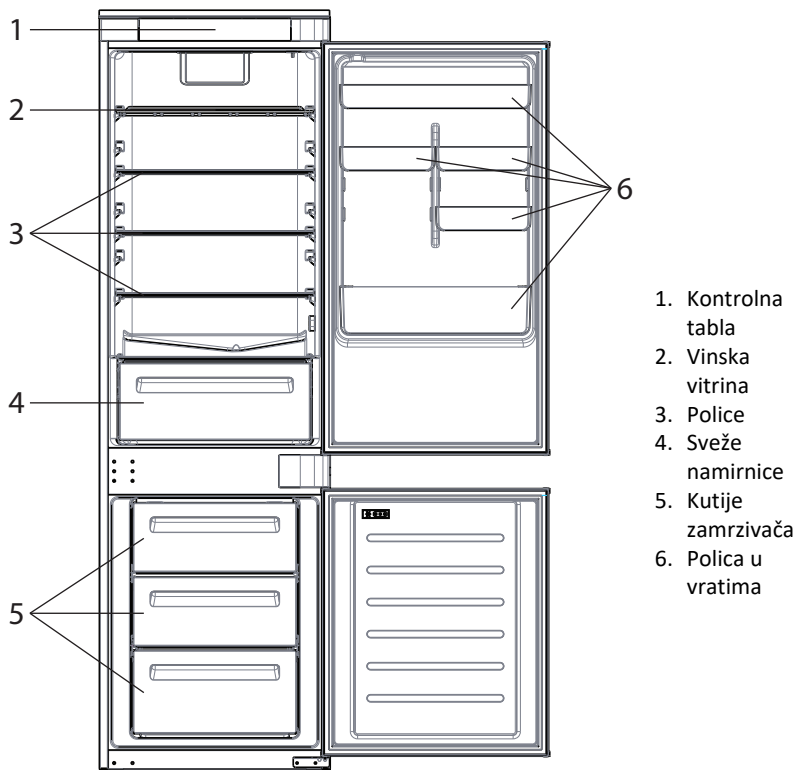
Notranja žarnica se ne vklopi.	• Ni elektrike.	• Napajalni kabel ni pravilno priključen. • Preverite, ali je aparat izklopljen (glejte Nastavitev temperature). • Preverite, ali vtičnica pravilno deluje (npr. z drugo električno napravo).
	• Aktiviran je način Holiday.	• Izklopite način Holiday.
Temperatura v hladilniku in/ali zamrzovalniku ni dovolj nizka.	• Vrata niso zaprta.	• Preverite, ali se vrata in tesnila pravilno zapirajo.
	• Pogosto odpiranje vrat.	• Nekaj časa se izogibajte nepotrebemu odpiranju vrat.
	• Nepravilna nastavitve temperature.	• Preverite nastavitve temperature in nastavite nižjo temperaturo, če je to mogoče (glejte Nastavitve temperature).
	• Hladilnik in/ali zamrzovalnik sta prekomerno napolnjena.	• Počakajte, da se temperatura v hladilniku/zamrzovalniku stabilizira. • Izogibajte se prekomernemu polnjenju hladilnika in zamrzovalnika.
	• Prenizka temperatura okolice.	• Enoto premaknite na toplejše mesto ali ogrejte prostor, v katerem je nameščena.
	• Shranili ste tople artikle.	• Pred shranjevanjem artiklov vedno počakajte, da se ohladijo.
Hrana v hladilniku zamrzne.	• Nepravilna nastavitve temperature.	• Preverite nastavitve temperature in jo povšajte, če je to mogoče.
	• Hrana je v stiku z zadnjo steno.	• Hrana naj se ne dotika zadnje stene hladilnika.
Dno hladilnika je mokro ali pa so na njem vodne kapljice.	• Morda je zamašena odtočna cev.	• Očistite odtočno cev s palico ali podobnim predmetom, da voda odteče.
Na zadnji steni hladilnika so vodne kapljice ali zmrzal.	• Odvisno od funkcije med delovanjem na zadnji steni hladilnika nastanejo vodne kapljice ali zmrzal.	• To ni napaka.
	• Shranili ste tople artikle.	• Pred shranjevanjem artiklov vedno počakajte, da se ohladijo.
	• Obstajajo odprte posode za hrano ali tekočine.	• Hrano in tekočine vedno pokrijte.
	• Vrata niso zaprta.	• Preverite, ali se vrata in tesnila pravilno zapirajo.
	• Pogosto odpiranje vrat.	• Nekaj časa se izogibajte nepotrebemu odpiranju vrat.
Prisotnost vode v predalu z zelenjavo.	• Pomanjkanje kroženja zraka.	• Prepričajte se, da aparat ni prenapolnjen.
	• Obstoj zelenjave in sadja s preveliko vsebnostjo vlage.	• Sadje in zelenjavo vstavite v plastičen material, npr. PVC folijo, vrečke ali posode.
Motor neprestano deluje.	• Vrata niso zaprta.	• Prepričajte se, da so vrata zaprta, in preverite, ali tesnila ustrezno tesnijo.
	• Vrata se pogosto odpirajo.	• Nekaj časa se izogibajte nepotrebemu odpiranju vrat.
	• Temperatura okolice je zelo visoka.	• Preverite, ali je temperatura okolice znotraj razpona, navedenega v specifikacijah na oznaki aparata. • Nastavite zaslon/termostat na višjo temperaturo.
	• Aparat je že nekaj časa izklopljen (brez napajanja).	• Običajno traja 8-12 ur, da se aparat povsem ohladi.
Zamrzjena hrana se taja.	• Prenizka temperatura okolice.	• Enoto premaknite na toplejše mesto ali ogrejte prostor, v katerem je nameščena.
	• Vrata zamrzovalnika niso zaprta.	• Prepričajte se, da so vrata zaprta in da tesnilo ustrezno tesni.
Alarm vrat hladilnika.	• Alarm vrat hladilnika (pisk) se aktivira vsakič, ko vrata pustite odprta več kot 3 minute.	• Vrat po nepotrebem ne puščajte odprtih. Ko vrata zaprete, se piskanje preneha oglašati.
Naprava proizvaja zvoke, kot so žuborenje, brenčanje, klikanje, škripanje.	• To ni okvara. Deluje motor, npr. hladilna enota, ventilator. Hladilno sredstvo teče v cevi. Vkljopijo ali izkljopijo se motor, stikala in elektromagnetni ventili.	• Ukrepanje ni potrebno.
	• Aparat ni nameščen na ravni podlagi.	• Nastavite noge, da poravnate aparat.
	• Aparat se dotika predmeta v njegovi bližini.	• Odstranite predmete okoli aparata.
Aparat se ne ohladi, svetijo indikatorji temperature in osvetlitve.	• Aktiviran je predstavivni način.	• Izklopite način DEMO.
Veliko ledu in zmrzali v predelu zamrzovalnika.	• Artikli niso bili ustrezno zapakirani.	• Artikle vedno dobro zapakirajte.
	• Vrata/predal aparata ni(so) tesno zaprt(a).	• Zaprite vrata/predal.
	• Vrata/predal je bil odprt prepogosto ali predolgo.	• Vrata/predala ne odpirajte prepogosto.
	• Tesnila vrat/predala so umazana, obrabljena, razpokana ali neustrezna.	• Očistite tesnilo vrat/predalov ali pa ga zamenjajte z novim.
	• Predmet v notranjosti preprečuje pravilno zapiranje vrat/predala.	• Premaknite police, stojala na vratih ali notranje posode, da se vrata/predal zaprejo.
Stranice naprave so tople.	• To je običajno.	

# Sažetak

---

OPIS PROIZVODA.....	2
UPOTREBA.....	3
Upotreba .....	3
Upravljanje režimom pripravnosti displeja.....	4
Režimi .....	4
Podešavanje temperature frižidera .....	4
Podešavanje temperature zamrzivača .....	4
Prilagođena temperatura .....	5
Funkcija Super Cool.....	5
Funkcija Super Freeze .....	6
Eco režim rada .....	6
Funkcija Holiday .....	7
Odmrzavanje .....	7
Režim demonstracije .....	7
Kodovi greške .....	7
U postupku uparivanja aplikacija .....	8
Upotreba Wi-Fi mreže .....	9
REŠAVANJE PROBLEMA .....	10

## OPIS PROIZVODA



\* Za konfiguraciju sa najvećom uštedom energije treba smestiti ladice, kutiju za hranu i police unutar proizvoda, a ventilator treba da se isključi. Pogledajte gore navedene slike.

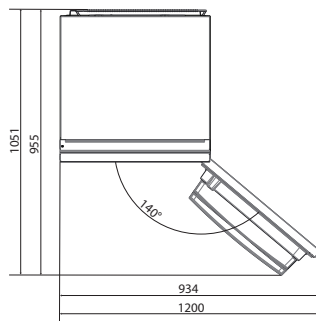
\*\* Gore navedene slike služe samo za referencu. Stvarna konfiguracija će zavisi od fizičkog proizvoda ili izjave distributera.

### Zahteviprostora

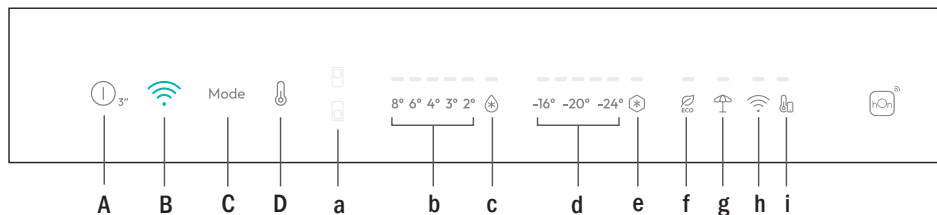
Vrata aparata moraju biti u stanju da se potpuno otvore kao što je prikazano. Izdvojite dovoljno prostora za odgovarajuć e otvaranje vrata i fioka. Održavajte rastojanje od najmaње 50 mm između bočnih zidova proizvoda i susednih delova.

540 mm Ормар: Ширина: 934 мм  
Дубина: 955 мм

700 mm Ормар: Ширина: 1200 мм  
Дубина: 1051 мм



## UPOTREBA



- A. Taster ON/OFF, pritisnite 3 sekunde. Uređaj se uključuje i emituje dugi zvučni signal (1 sek).
  - B. Taster Wi-Fi, koji se koristi za povezivanje uređaja
  - C. Taster Mode, koji se koristi za used to select between Fridge, Freezer, Eco and Holiday
  - D. Taster TEMP, koji se koristi za odabir između nivoa temperature (takođe Super Cool i Super Freeze)
- a. Ikonica prostora frižidera / zamrzivača, pokazuje koji odeljak aparata je izabran
  - b. Nivoi temperature frižidera pokazuju koja je temperatura izabrana
  - c. Ikonica Super Cool pokazuje da li je funkcija Super Cool aktivirana
  - d. Nivoi temperature zamrzivača pokazuju koja je izabrana temperatura u zamrzivaču
  - e. Ikonica Super Freeze, pokazuje da li je aktivirana funkcija Super Freeze
  - f. Ikonica režima Eco, pokazuje da li je eko režim aktiviran
  - g. Ikonica funkcije Holiday, prikazuje da li je aktivirana funkcija praznika
  - h. Ikonica Wi-Fi, pokazuje da li Wi-Fi radi i da li je uređaj povezan
  - i. Ikonica prilagođene temperature, prikazuje da li je aplikacija izabrala temperaturu

### Upotreba

- Uključite uređaj i on se automatski uključuje uz dugu akustičnu povratnu informaciju (1 sek.). Sve LED diode se pale (1 sek.), a zatim se LED dioda temperature frižidera i LED dioda zamrzivača stalno uključuju.
- Temperatura će se automatski postaviti na 4 °C u frižideru i -18 °C u zamrzivaču. **NAPOMENA:** sačekajte najmanje 2/3 sata pre nego što stavite hranu u aparat, kako biste osigurali temperaturu u frižideru.
- U slučaju nestanka struje, frižider će se vratiti na poslednji skup nivoa hlađenja.
- Da biste vratili podrazumevano podešavanje, držite pritisnut prekidač na vratima unutar frižidera i istovremeno pritisnite taster ON/OFF 5 sekundi.
- U uobičajenom radnom stanju (u proleće i jesen), preporučuje se postavljanje temperature na 4 °C. Leti ili kada je ambijentalna temperatura visoka, preporučuje se postavljanje temperature na 6-8 °C, da bi se garantovale temperature frižidera i zamrzivača i smanjilo neprekidno vreme rada frižidera; a zimi ili kada je ambijentalna temperatura niska, preporučuje se postavljanje temperature na 3-4 °C kako bi se izbeglo često pokretanje / zaustavljanje frižidera.

## Upravljanje režimom pripravnosti displeja

- Ako su vrata zatvorena -> displej je u stanju pripravnosti (sve LED lampice su isključene)
- Ako su vrata otvorena -> LED lampica za trenutnu temperaturu frižidera i LED lampica za temperaturu zamrzivača su uključene (neprekidno).
- LED lampica za ECO režim i LED lampica za režim Holiday se uključuju (neprekidno) ako su prethodno izabrani ti režimi.
- Displej je spreman za prijem unosa (nije potrebno da ga aktivirate dodirrom).

## Režimi

Dugme za režim se koristi za prebacivanje između različitih režima.

Odgovarajuća LED lampica se uključuje i izbor se odmah potvrđuje (bez treptanja).

Kratki zvučni signali potvrđuju izbor.

## Podešavanje temperature frižidera

Kada je displej uključen, izaberite „podešavanje temperature frižidera“ pritiskom na dugme MODE. LED lampica frižidera se uključuje.

Pritiskajte dugme „TEMP“ dok ne podesite željenu temperaturu.

Vrednost temperature se menja na sledeći način: 8 °C -> 6 °C -> 4 °C -> 3 °C -> 2 °C -> super hlađenje -> 8 °C... Odgovarajuća LED lampica se uključuje i izbor se odmah potvrđuje (bez treptanja).

Kratki zvučni signali potvrđuju izbor.

## Podešavanje temperature zamrzivača

Kada je displej uključen, izaberite „podešavanje temperature zamrzivača“ pritiskom na dugme MODE. LED lampica zamrzivača se uključuje.

Pritiskajte dugme „TEMP“ dok ne podesite željenu temperaturu.

Vrednost temperature se menja na sledeći način: -16 °C -> -18 °C -> -20 °C -> -22 °C -> -24 °C -> super zamrzavanje -> -16 °C...

Odgovarajuća LED lampica se uključuje i izbor se odmah potvrđuje (bez treptanja).

Kratki zvučni signali potvrđuju izbor.

## Napomena:

Prebacivanje sa frižidera na zamrzivač i obrnuto se izvršava odmah čim korisnik pritisne dugme MODE i izbor odmah postaje aktivan

LED lampice za temperaturu ne trepere.

### **Prilagođena temperatura**

Moguće je odabrati temperaturu od 2 °C do 8 °C za frižider i od -16 °C do -24 °C za zamrzivač. Kada aplikacija izabere temperaturu, uključuje se ikonica prilagođene temperature, a sve LED lampice za temperaturu zahvaćenog odeljka se isključuju (tj. ako je iz aplikacije izabrana temperatura frižidera, isključuju se LED lampice od 2 °C do 8 °C.

Ako je iz aplikacije izabrana temperatura zamrzivača, LED lampice od -16 °C do -24 °C se isključuju).

Ako je temperatura prilagođena za samo jednu oblast (zamrzivač ili frižider), izbor temperature druge oblasti se ne menja, a LED lampica izabrane oblasti ostaje uključena. Dug zvučni signal (1 sek) potvrđuje da je povezivanje završeno.

### **Funkcija Super Cool**

Predloženo je da se uključi funkcija Super Cool ako je potrebno uskladištiti veliku količinu hrane (na primer posle kupovine). Funkcija Super-Cool ubrzava hlađenje sveže hrane i štiti robu koja je već uskladištena od nepoželjnog zagrevanja. Kada se funkcija aktivira, temperatura frižidera se automatski postavlja na 2 °C.

Kako koristiti funkciju Super Cool:

- Funkcija se može aktivirati dugim pritiskom na taster TEMP da bi se izabrao odeljak frižidera, a zatim brzo pritisnite taster TEMP dok se ne uključi ikonica Super Cool, ili može da se uključi iz aplikacije. Kada se funkcija aktivira, LED lampica Super Cool je uvek uključena.
- Da biste izašli iz funkcije Super Cool, pritisnite taster TEMP ili je isključite iz aplikacije.
- Funkcija Super Cool automatski se završava kada funkcija traje duže od 12 sati.
- Kada se funkcija Super Cool završi, ikonica kontrolne table se isključuje i frižider se vraća na prethodno postavljeni nivo hlađenja.

**Napomena:** Funkcije Super Cool i Super Freeze ne mogu da se aktiviraju istovremeno.

## **Funkcija Super Freeze**

Funkcija Super Freeze ubrzava zamrzavanje sveže hrane i štiti robu koja je već skladištena od nepoželjnog zagrevanja. Ako se mora zamrznuti velika količina hrane, preporučuje se da postavite funkciju Super Freeze na 24 sata pre upotrebe. Kada se funkcija aktivira, temperatura se automatski postavlja na -22 °C.

Kako koristiti funkciju Super Freeze:

- Funkcija se može pokrenuti dugim pritiskom na taster TEMP da biste izabrali odeljak zamrzivača, a zatim brzo pritisnite taster TEMP dok se ne uključi ikonica Super Freeze ili se može uključiti iz aplikacije. Kada se funkcija aktivira, LED lampica Super Freeze je uvek uključena.
- Da biste izašli iz funkcije Super Freeze, pritisnite taster TEMP ili je isključite iz aplikacije.
- Funkcija Super Freeze automatski se završava kada funkcija traje duže od 50 sati.
- Kada se funkcija Super Freeze završi, ikonica kontrolne table se isključuje i frižider se vraća na prethodno postavljeni nivo zamrzavanja.

**Napomena:** Funkcije Super Cool i Super Freeze ne mogu da se aktiviraju istovremeno.

## **Eco režim rada**

Eco režim se može aktivirati kako bi se optimizovale performanse aparata, dok se postiže najbolje skladištenje hrane. Režim Eco će automatski postaviti temperaturu na 4 °C u frižideru i -18 °C u zamrzivaču.

Kako se koristi Eco režim:

- Funkcija se može aktivirati sa kontrolne table pritiskom na taster „mode” dok se ikonica režima Eco ne uključi (akustični signal potvrđuje izbor) ili izborom funkcije iz aplikacije. Kada se funkcija aktivira, ikonica režima Eco je uvek uključena.
- Da biste izašli iz režima Eco, isključite ga iz aplikacije ili odaberite drugu funkciju sa kontrolne table.
- Kada se funkcija režima Eco završi, ikonica kontrolne table se isključuje i vraćaju se prethodno postavljeni nivoi hlađenja.



## **Funkcija Holiday**

Funkcija Holiday može da se koristi za smanjenje potrošnje energije uređaja kada se ne upotrebljava redovno. Kada je funkcija uključena, LED lampice se isključuju (čak i ako su vrata otvorena), frižider radi u režimu rada niske potrošnje energije, a zamrzivač nastavlja normalno sa radom.

Kako koristiti funkciju Holiday:

- Funkcija se može aktivirati sa kontrolne table pritiskom na taster „mode” dok se ikonica funkcije Holiday ne uključi (akustični signal potvrđuje izbor) ili izborom funkcije iz aplikacije. Kada se funkcija aktivira, ikonica funkcije Holiday je uvek uključena.
- Da biste izašli iz funkcije Holiday, isključite ga iz aplikacije ili odaberite drugu funkciju sa kontrolne table.
- Kada se funkcija funkcije Holiday završi, ikonica kontrolne table se isključuje i vraćaju se prethodno postavljeni nivoi hlađenja.

## **Odmrzavanje**

Kada sloj mraza u odeljku za zamrzavanje pređe 3 mm, preporučuje se da se nastavi odmrzavanje jer se povećava potrošnja energije.

- Isključite aparat i iskopčajte kabl za napajanje.
- Uklonite smrznutu hranu i privremeno je stavite na hladno mesto.
- Ostavite vrata zamrzivača otvorena i pokupite vodu na dnu proizvoda.
- Kada se odmrzavanje završi, temeljno osušite unutrašnjost.
- Ponovo priključite kabl za napajanje i podesite željene vrednosti.
- Sačekajte trenutak i ponovo unesite smrznutu hranu.

## **Odmrzavanje**

Odmrzavanje frižidera i pregrade zamrzivača se obavlja automatski: nije potreban ručni rad.

## **Režim demonstracije**

Da biste ušli u demo režim, sa otključanim ekranom, pritisnite taster Wi-Fi (B) i pritisnite taster MODE (C) 5 puta u roku od 5 sekundi. Da biste izašli iz demo režima, izvršite isti postupak ili isključite frižider.

## **Kodovi greške**

- Greška u komunikaciji

8 °C – 6 °C – 4 °C – 3 °C – 2 °C LED svetla se uključuju u nizu, to znači da je došlo do greške u komunikaciji između glavne kontrolne table i table za prikaz. Obratite se službi tehničke podrške da biste rešili problem

## UPOTREBA WI-FI MREŽE

### U postupku uparivanja aplikacija

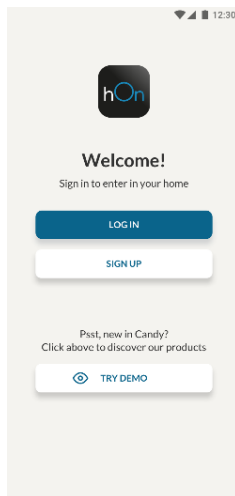
#### 1. korak

- Preuzmite hOn aplikaciju sa prodavnica



#### 2. korak

- Kreirajte nalog na hOn aplikaciji ili se prijavite ako već imate nalog



#### 3. korak

- Pratite uputstva za uparivanje u hOn aplikaciji

## Upotreba Wi-Fi mreže

Kada je displej uključen, kratkim pritiskom na dugme za Wi-Fi se pokreće sinhronizacija i LED lampica za Wi-Fi počinje da treperi. Pratite uputstva u aplikaciji da biste dovršili povezivanje.

Dug zvučni signal (1 sek) potvrđuje da je veza uspostavljena i LED lampica neprekidno svetli.

Ako Wi-Fi još nije konfigurisan, kada se frižider uključi, automatski će ući u režim konfiguracije i zadržati ovaj status 30 minuta. Da biste koristili režim konfiguracije:

- Pritisnite taster Wi-Fi 2 sekunde; frižider prelazi u režim Wi-Fi konfiguracije i emituje se zvučni signal. Ikonica Wi-Fi počinje da treperi.
- Sledite uputstva za aplikaciju da biste konfigurisali Wi-Fi (pogledajte gore).
- Kada se Wi-Fi konfigurise i veza uspostavi, ikonica Wi-Fi je uključena i neprestano upaljena.
- Posle 30 minuta bez obavljanja bilo kakvih radnji, Wi-Fi će automatski izaći iz režima konfiguracije.
- Ako je Wi-Fi već konfigurisan, automatski će se ponovo povezati u skladu sa informacijama o konfiguraciji.

Da biste resetovali Wi-Fi, pritisnite i držite taster Wi-Fi – Mode 2 sekunde, Wi-Fi će se resetovati i emituje se zvučni signal. Nakon toga, Wi-Fi će automatski ući u stanje konfiguracije (ikonica Wi-Fi će ponovo početi da treperi).

Da biste isključili Wi-Fi, pritisnite taster Wi-Fi 3 sekundi.

## Радио-модул - Технички подаци

Учесталост (OFR)	2400 MHz-2843.5 MHz
Фреквенције канала	2412...2472 MHz(величина корака 5 MHz)
Максимална снага(EIRP)	100 mW

Тип радио опреме је у складу са Директивом 2014/53/EU.

## REŠAVANJE PROBLEMA

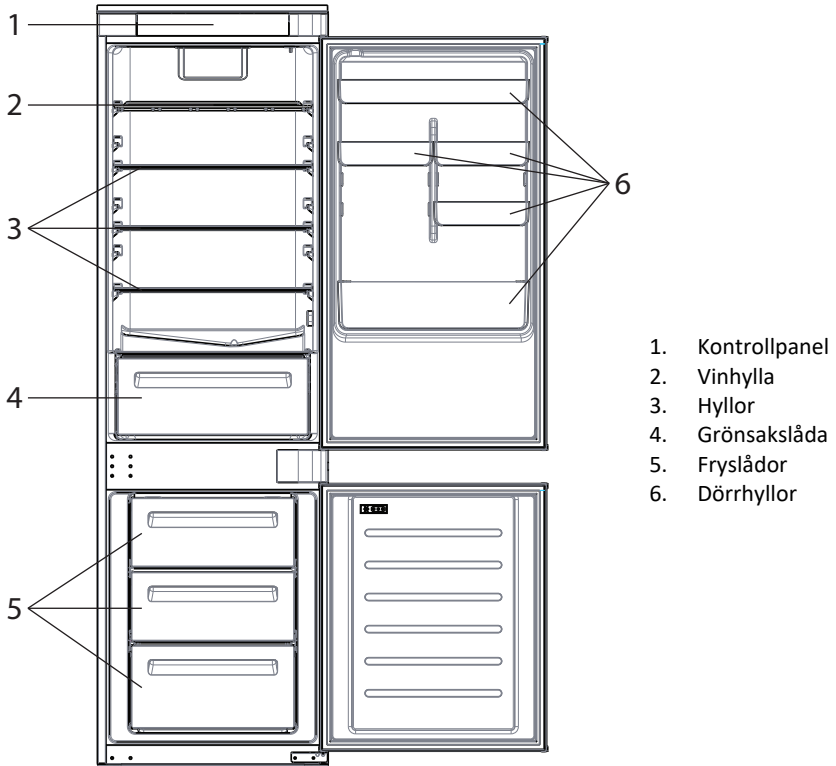
Unutrašnja sijalica se ne uključuje.	<ul style="list-style-type: none"> <li>• Nema struje.</li> </ul>	<ul style="list-style-type: none"> <li>• Kabi za napajanje nije pravilno priključen.</li> <li>• Proverite da li je uređaj isključen (pogledajte Podešavanje temperature).</li> <li>• Proverite da li utičnica radi ispravno (npr. sa drugim električnim uređajem).</li> </ul>
	<ul style="list-style-type: none"> <li>• Režim Holiday je aktiviran.</li> </ul>	<ul style="list-style-type: none"> <li>• Deaktivirajte režim Holiday.</li> </ul>
Unutrašnja temperatura frižidera i/ili zamrzivača nije dovoljno hladna.	<ul style="list-style-type: none"> <li>• Vrata nisu zatvorena.</li> </ul>	<ul style="list-style-type: none"> <li>• Proverite da li su vrata i zaptivke pravilno zatvoreni.</li> </ul>
	<ul style="list-style-type: none"> <li>• Vrata se često otvaraju.</li> </ul>	<ul style="list-style-type: none"> <li>• Izbegavajte neko vreme nepotrebno otvaranje vrata.</li> </ul>
	<ul style="list-style-type: none"> <li>• Pogrešno podešavanje temperature.</li> </ul>	<ul style="list-style-type: none"> <li>• Proverite podešavanje temperature i, ako je moguće, podesite nižu temperaturu (pogledajte Podešavanje temperature).</li> </ul>
	<ul style="list-style-type: none"> <li>• Frižider i/ili zamrzivač su previše puni.</li> </ul>	<ul style="list-style-type: none"> <li>• Sačekajte da se temperatura frižidera/ zamrzivača stabilizuje.</li> <li>• Izbegavajte prekomerno punjenje frižidera i zamrzivača.</li> </ul>
	<ul style="list-style-type: none"> <li>• Temperatura okoline je previše niska.</li> </ul>	<ul style="list-style-type: none"> <li>• Pomerite jedinicu na toplije mesto ili zagrejte prostoriju u kojoj se trenutno nalazi.</li> </ul>
	<ul style="list-style-type: none"> <li>• Topli artikli su uskladišteni.</li> </ul>	<ul style="list-style-type: none"> <li>• Uvek ostavite artikle da se ohlade pre skladištenja.</li> </ul>
Hrana u frižideru se zamrzava.	<ul style="list-style-type: none"> <li>• Pogrešno podešavanje temperature.</li> </ul>	<ul style="list-style-type: none"> <li>• Proverite podešavanje temperature i, ako je moguće, povećajte temperaturu.</li> </ul>
	<ul style="list-style-type: none"> <li>• Hrana je u kontaktu sa zadnjim zidom.</li> </ul>	<ul style="list-style-type: none"> <li>• Držite hranu dalje od zadnjeg zida frižidera.</li> </ul>
Dno odeljka frižidera je mokro ili su prisutne kapljice vode.	<ul style="list-style-type: none"> <li>• Možda je zapušeno odvodno crevo.</li> </ul>	<ul style="list-style-type: none"> <li>• Očistite odvodno crevo štapićem ili sličnim predmetom kako biste omogućili odvod vode.</li> </ul>
Prisustvo kapljica vode ili mraza na zadnjem zidu frižidera.	<ul style="list-style-type: none"> <li>• U zavisnosti od funkcije, kapljice vode ili mraza se tokom rada formiraju na zadnjem zidu frižidera.</li> </ul>	<ul style="list-style-type: none"> <li>• To nije kvar.</li> </ul>
	<ul style="list-style-type: none"> <li>• Topli artikli su uskladišteni.</li> </ul>	<ul style="list-style-type: none"> <li>• Uvek ostavite artikle da se ohlade pre skladištenja.</li> </ul>
	<ul style="list-style-type: none"> <li>• Postoje otvorene posude za hranu ili tečnosti.</li> </ul>	<ul style="list-style-type: none"> <li>• Uvek pokrijte hranu i tečnosti.</li> </ul>
	<ul style="list-style-type: none"> <li>• Vrata nisu zatvorena.</li> </ul>	<ul style="list-style-type: none"> <li>• Proverite da li su vrata i zaptivke pravilno zatvoreni.</li> </ul>
	<ul style="list-style-type: none"> <li>• Vrata se često otvaraju.</li> </ul>	<ul style="list-style-type: none"> <li>• Izbegavajte neko vreme nepotrebno otvaranje vrata.</li> </ul>
Prisustvo vode u fioci za povrće.	<ul style="list-style-type: none"> <li>• Nedostatak cirkulacije vazduha.</li> </ul>	<ul style="list-style-type: none"> <li>• Uverite se da uređaj nije previše pun.</li> </ul>
	<ul style="list-style-type: none"> <li>• Povrće i voće sadrži previše vlage.</li> </ul>	<ul style="list-style-type: none"> <li>• Voće i povrće umotajte u plastične materijale, npr. plastičnu foliju, kese ili posude.</li> </ul>
Motor radi neprekidno.	<ul style="list-style-type: none"> <li>• Vrata nisu zatvorena.</li> </ul>	<ul style="list-style-type: none"> <li>• Proverite da li su vrata zatvorena i da li su zaptivke pravilno zatvorene.</li> </ul>
	<ul style="list-style-type: none"> <li>• Vrata se često otvaraju.</li> </ul>	<ul style="list-style-type: none"> <li>• Izbegavajte neko vreme nepotrebno otvaranje vrata.</li> </ul>
	<ul style="list-style-type: none"> <li>• Temperatura okruženja je veoma visoka.</li> </ul>	<ul style="list-style-type: none"> <li>• Proverite da li je temperatura okruženja u opsegu navedenom u specifikacijama na nalepnici uređaja.</li> <li>• Podesite displej/termostat na višu temperaturu.</li> </ul>
	<ul style="list-style-type: none"> <li>• Uređaj je isključen (nema struje) već neko vreme.</li> </ul>	<ul style="list-style-type: none"> <li>• Obično je potrebno 8-12 sati da se uređaj potpuno ohladi.</li> </ul>
Zamrznuta hrana se otapa.	<ul style="list-style-type: none"> <li>• Temperatura okoline je previše niska.</li> </ul>	<ul style="list-style-type: none"> <li>• Pomerite jedinicu na toplije mesto ili zagrejte prostoriju u kojoj se trenutno nalazi.</li> </ul>
	<ul style="list-style-type: none"> <li>• Vrata zamrzivača nisu zatvorena.</li> </ul>	<ul style="list-style-type: none"> <li>• Proverite da li su vrata zatvorena i da li zaptivka pravilno zaptiva.</li> </ul>
Alarm za vrata frižidera.	<ul style="list-style-type: none"> <li>• Alarm za vrata frižidera (zvučni signal) se aktivira kad god su vrata otvorena duže od 3 minuta.</li> </ul>	<ul style="list-style-type: none"> <li>• Ne ostavljajte vrata otvorena kada to nije potrebno. Zvučni signal prestaje kada se zatvore vrata.</li> </ul>
Uređaj proizvodi zvukove kao što su kлокотanje, zujanje, škļjocanje, škripanje.	<ul style="list-style-type: none"> <li>• Nema kvarova. Motor radi, npr. rashladna jedinica, ventilator. Rashladno sredstvo teče u cevima. Motor, prekidači i elektromagnetni ventili su uključeni ili isključeni.</li> </ul>	<ul style="list-style-type: none"> <li>• Nikakva radnja nije potrebna.</li> </ul>
	<ul style="list-style-type: none"> <li>• Uređaj se nalazi na neravnoj površini.</li> </ul>	<ul style="list-style-type: none"> <li>• Podesite stopice za nivelisanje uređaja.</li> </ul>
	<ul style="list-style-type: none"> <li>• Uređaj dodiruje neki predmet do njega.</li> </ul>	<ul style="list-style-type: none"> <li>• Uklonite predmete oko uređaja.</li> </ul>
Uređaj ne hladi, indikatori temperature i osvetljenja su uključeni.	<ul style="list-style-type: none"> <li>• Aktiviran je Demo režim.</li> </ul>	<ul style="list-style-type: none"> <li>• Deaktivirajte DEMO režim.</li> </ul>
Velike količine leda i mraza su se formirale u zamrzivaču.	<ul style="list-style-type: none"> <li>• Artikli nisu adekvatno upakovani.</li> </ul>	<ul style="list-style-type: none"> <li>• Uvek dobro upakujte predmete.</li> </ul>
	<ul style="list-style-type: none"> <li>• Vrata/fioka uređaja nije dobro zatvorena.</li> </ul>	<ul style="list-style-type: none"> <li>• Zatvorite vrata/fioku.</li> </ul>
	<ul style="list-style-type: none"> <li>• Vrata/fioka je otvorena prečesto ili predugo.</li> </ul>	<ul style="list-style-type: none"> <li>• Ne otvarajte vrata/fioku prečesto.</li> </ul>
	<ul style="list-style-type: none"> <li>• Zaptivka vrata/fioke je prļjava, istrošena, napukla ili neodgovarajuća.</li> </ul>	<ul style="list-style-type: none"> <li>• Očistite zaptivku vrata/fioke ili je zamenite novom.</li> </ul>
	<ul style="list-style-type: none"> <li>• Nešto iznutra sprečava da se vrata/fioka pravilno zatvore.</li> </ul>	<ul style="list-style-type: none"> <li>• Promenite položaj polica, polica za vrata ili unutrašnjih posuda kako biste omogućili zatvaranje vrata/fioke.</li> </ul>
Bočne strane uređaja su tople.	<ul style="list-style-type: none"> <li>• Ovo je normalna pojava.</li> </ul>	

# Sammanfattning

---

PRODUKTBESKRIVNING .....	2
ANVÄNDNING .....	3
Användning .....	3
Hantering av displayen i standbyläge .....	4
Lägen .....	4
Temperaturinställning för kylskåp .....	4
Temperaturinställning för frys .....	4
Reglerad temperatur.....	5
Super Cool-funktion .....	5
Super Freeze-funktion.....	6
Ekoläge .....	6
Semesterfunktion.....	7
Avfrostning .....	7
Demoläge .....	7
Felkoder .....	7
I app-hopkopplingsläge .....	8
Användning av Wi-Fi .....	9
FELSÖKNING .....	10

## PRODUKTBESKRIVNING



\* Konfigurationen som sparar mest energi kräver att lådor, matlådor och hyllor placeras i apparaten och att fläkten är avstängd, enligt bilderna ovan.

\*\* Bilden ovan är endast för referens. Den faktiska konfigurationen beror på den fysiska produkten eller uttalande från återförsäljaren.

### Utrymme somkrävs

Apparatens dörr ska kunna öppnas helt som på bilden. Behåll ett tillräckligt stort utrymme runt apparaten så att dörrar och lådor kan öppnas.

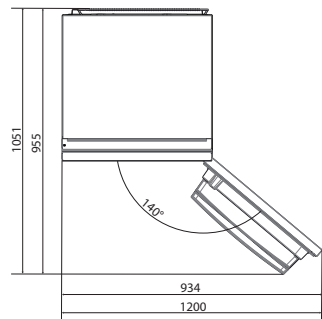
Håll ett avstånd på minst 50 mm mellan produktens sidoväggar och intilliggande delar.

540 mm Skåp: Bredd: 934 mm

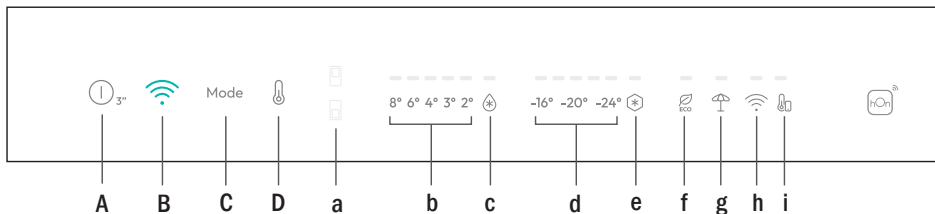
Djup: 955 mm

700 mm Skåp: Bredd: 1200 mm

Djup: 1051 mm



# ANVÄNDNING



- A. PÅ/AV-knappen, tryck i 3 sekunder. Apparaten slås på med en lång akustisk signal (1 sek).
  - B. Wi-Fi-knappen används för att ansluta apparaten
  - C. Mode-knappen används för att välja mellan kyl, frys, eko och semester
  - D. TEMP-knappen används för att välja mellan temperaturnivåer (även Super Cool och Super Freeze)
- a. Ikonerna för kyl/frys visar valt utrymme i apparaten
  - b. Temperaturnivåerna visar kylskåpets valda temperatur
  - c. Super Cool-ikonen visar om motsvarande funktion är aktiverad
  - d. Temperaturnivåerna visar vald temperatur i frysen
  - e. Super Cool-ikonen visar om motsvarande funktion är aktiverad
  - f. Ekoläge-ikonen visar om motsvarande läge är aktiverat
  - g. Semesterfunktion-ikonen visar om motsvarande funktion är aktiverad
  - h. Wi-Fi-ikonen visar om Wi-Fi fungerar och om apparaten är ansluten
  - i. Reglerad temperatur-ikon visar om temperaturen har valts av appen

## Användning

- Koppla in apparaten och den slås på automatiskt med en lång akustisk återkoppling (1 sek) Alla lysdioder tänds (1 sek), sedan tänds kyltemperaturlysdioden och frysens lysdiod fast.
- Temperaturen ställs automatiskt på 4 °C i kylskåpet och på -18 °C i frysen. **OBSERVERA** vänta minst 2–3 timmar innan du lägger in matvaror efter att frysen slagits på.
- Vid strömavbrott återställs den senaste inställda kylnivån.
- För att återställa standardinställningen, håll dörrbrytaren intryckt i kylskåpet och tryck samtidigt på PÅ/AV-knappen i 5 sekunder.
- Under normala driftsförhållanden (vår och höst) rekommenderar vi att ställa temperaturen på 4 °C. Under sommarhalvåret eller vid höga omgivningstemperaturer rekommenderar vi att ställa temperaturen på 6~8 °C. Kylen/frysen behåller då invändig temperatur och kylskåpets kontinuerliga drift reduceras. Under vinterhalvåret (när omgivningstemperaturen är låg) rekommenderar vi att ställa temperaturen på 3~4 °C för att undvika frekvent start/stopp av kylskåpet.

## Hantering av displayen i standbyläge

- Om dörren är stängd -> display i standbyläge (alla lysdioder släckta)
- Om dörren är öppen -> lysdioden för aktuell temperatur i kylskåpet och i frysen är tända (fast sken).
- Lysdioden ECO-läge + Lysdioden Holiday-läge är tända (fast sken) om de har valts tidigare.
- Displayen är redo att ta emot inmatningar (du behöver inte aktivera den genom beröring).

## Lägen

Lägesknappen används för att växla mellan de olika lägena:

Temperaturinställning för kylskåp → Temperaturinställning för fryn → ECO-läge. →

Holiday-läge → Temperaturinställning för kylskåp...

Den relaterade lysdioden tänds och valet bekräftas omedelbart (ingen blinkning).

Kort akustisk signal bekräftar valet.

## Temperaturinställning för kylskåp

När displayen är på, välj "Temperaturinställning för kylskåp" genom att trycka på MODE-knappen. Lysdioden för kylskåpet tänds.

Tryck på "TEMP"-knappen tills önskad temperatur är inställd.

Temperaturvärdet ändras på följande sätt: 8 °C -> 6 °C -> 4 °C -> 3 °C -> 2 °C -> supercooling-> 8 °C...

Den relaterade lysdioden tänds och valet bekräftas omedelbart (ingen blinkning).

Kort akustisk signal bekräftar valet.

## Temperaturinställning för fryn

När displayen är på, välj "Temperaturinställning för fryn" genom att trycka på MODE-knappen. Lysdioden för frysen tänds.

Tryck på "TEMP"-knappen tills önskad temperatur är inställd.

Temperaturvärdet ändras på följande sätt: -16 °C -> -18 °C -> -20 °C -> -22 °C -> -24 °C -> Super freezing -> -16 °C...

Den relaterade lysdioden tänds och valet bekräftas omedelbart (ingen blinkning).

Kort akustisk signal bekräftar valet.

## Observera:

Att byta från kyl- till frystrymmen och vice versa sker omedelbart när användaren trycker på MODE-knappen och valet är omedelbart aktivt

Temperaturlamporna blinkar inte



## Reglerad temperatur

Det är möjligt att välja en temperatur från 2 °C till 8 °C i kylskåpet och från -16 °C till -24 °C i frysen. När temperaturen väljs via appen slås ikonen för justera temperatur på. Alla andra LED-lampor för temperatur för det berörda utrymmet stängs av (dvs. om kylskåpstemperaturen väljs från appen stängs lysdioderna från 2 °C till 8 °C av. Om frystemperaturen väljs från appen är lysdioderna från -16 °C till -24 °C släckta). Om endast ett enda utrymme (frys eller kylskåp) har den justerade temperaturen ändras inte temperaturvalet för det andra utrymmet och LED-lampan för den valda temperaturen i det utrymmet förblir tänd. Lång akustisk signal (1 sek) bekräftar att anslutningen är klar.

## Super Cool-funktion

Super Cool-funktionen är lämplig om du ska förvara en stor mängd mat (till exempel efter storhandling). Super Cool-funktionen kyler snabbt ned färska matvaror och skyddar de varor som finns i kylskåpet från att värmas. När funktionen aktiveras ställs kylskåpstemperaturen automatiskt in på 2 °C.

Hur du använder Super Cool-funktionen:

- Aktivera funktionen genom att trycka och hålla ned TEMP-knappen för att välja kyldelen och tryck sedan snabbt på TEMP-knappen tills Super Cool-ikonen tänds. Funktionen kan även aktiveras från appen. När funktionen är aktiverad är lysdioden Super Cool alltid PÅ.
- För att avsluta Super Cool-funktionen, tryck på TEMP-knappen eller stäng av den från appen.
- Super Cool-funktionen avslutas automatiskt när funktionen har varat i mer än 12 timmar.
- När Super Cool avslutas slocknar ikonen på kontrollpanelen och den tidigare inställda kylnivån återställs.

**Observera:** Funktionerna Super Cool och Super Freeze kan inte aktiveras samtidigt.

## Super Freeze-funktion

Super freezing-funktionen fryser snabbt ned färska matvaror och skyddar de varor som finns i frysen från att värmas. Vi rekommenderar att ställa in Super Freeze-funktionen 24 timmar innan den ska användas om du ska frysa ner en stor mängd mat. När funktionen aktiveras ställs temperaturen automatiskt in på -22 °C.

Hur du använder Super Freeze-funktionen:

- Starta funktionen genom att trycka och hålla ned TEMP-knappen för att välja frysdelen, och sedan snabbt på TEMP-knappen tills Super Freeze-ikonen tänds. Funktionen kan även aktiveras från appen. När funktionen är aktiverad är lysdioden Super Freeze alltid PÅ.
- För att avsluta Super Freeze-funktionen, tryck på TEMP-knappen eller stäng av den från appen.
- Super Freeze-funktionen avslutas automatiskt när funktionen har varat i mer än 50 timmar.
- När Super Freeze avslutas slocknar ikonen på kontrollpanelen och den tidigare inställda frysnivån återställs.

**Observera:** Funktionerna Super Cool och Super Freeze kan inte aktiveras samtidigt.

## Ekoläge

Genom att aktivera Ekoläget optimeras apparatens prestanda och matens förvaras på bästa sätt. Ekoläget ställer automatiskt in temperaturen på 4 °C i kylskåpet och på -18 °C i frysen.

Hur du använder Ekoläget:

- Funktionen kan aktiveras från kontrollpanelen genom att trycka på "mode"-knappen tills Ekoläge-ikonen tänds (en ljudsignal bekräftar valet). Funktionen kan även väljas från appen. När funktionen är aktiverad är Ekoläge-ikonen alltid PÅ.
- Avsluta Ekoläget genom att stänga av den från appen eller välj en annan funktion från kontrollpanelen.
- När Ekoläget avslutas slocknar ikonen på kontrollpanelen och den tidigare inställda kylnivån återställs.

## Semesterfunktion

När apparaten inte används regelbundet kan man använda Semesterfunktionen för att minska apparatens energiförbrukning. När funktionen är på kommer LED-lamporna att vara släckta (även när dörren är öppen). Kylskåpet fungerar nu i energisparningsläge, medan frysen fortsätter att fungera normalt.

Hur du använder Semesterfunktionen:

- Funktionen kan aktiveras från kontrollpanelen genom att trycka på "mode"-knappen tills semesterikonen tänds (en ljudsignal bekräftar valet). Funktionen kan även väljas från appen. När funktionen är aktiverad är semesterikonen alltid PÅ.
- Avsluta Semesterfunktionen genom att stänga av den från appen eller välj en annan funktion från kontrollpanelen.
- När Semesterfunktionen avslutas slocknar ikonen på kontrollpanelen och den tidigare inställda kylnivån återställs.

## Avfrostning

Vi rekommenderar att frosta av frysen när det bildas frost som är tjockare än 3 mm, eftersom detta ökar energiförbrukningen.

- Stäng av apparaten och dra ut stickkontakten.
- Ta ut den frysta maten ur frysen och förvara på sval plats.
- Lämna frysdörren öppen och samla upp vattnet på botten av produkten.
- När avfrostningen är klar, torka insidan noggrant.
- Sätt i stickkontakten igen och ställ in önskade värden.
- Vänta en liten stund innan du sätter in maten i frysen igen.

## Demoläge

För att gå in i Demoläget, med displayen olåst, håll Wi-Fi-knappen (B) intryckt och tryck på MODE-knappen (C) 5 gånger inom 5 sekunder. Gör på samma sätt för att avsluta Demoläget eller stäng av kylskåpet.

## Felkoder

- Kommunikationsfel

Led-lamporna 8 °C - 6 °C - 4 °C - 3 °C - 2 °C tänds i sekvens. Detta betyder att det uppstått ett kommunikationsfel mellan huvudstyrkortet och displaykortet. Kontakta teknisk assistans för att hjälpa till att lösa problemet

## ANVÄNDNING AV WI-FI

### I app-hopkopplingsläge

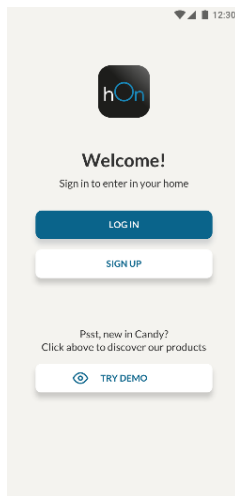
#### Steg 1

- Ladda ner hOn-appen i butikerna



#### Steg 2

- Skapa ditt konto i hOn-appen eller logga in om du redan har ett konto



#### Steg 3

- Följ instruktionerna för hopkoppling i hOn-appen

## Användning av Wi-Fi

När displayen är påslagen startar synkroniseringen genom ett kort tryck på Wi-Fi-knappen och Wi-Fi-lysdioden börjar blinka. Följ instruktionerna i appen för att slutföra anslutningen.

Lång akustisk signal (1 sek) bekräftar att anslutningen är upprättad och att lysdioden förblir fast.

Om Wi-Fi inte har konfigurerats när kylskåpet sätts på, går apparaten automatiskt in i konfigurationsläget och behåller denna status i 30 minuter. Så här använder du konfigurationsläget:

- Tryck på Wi-Fi-knappen i 2 sekunder, kylskåpet går in i Wi-Fi-konfigurationsläget och en ljudsignal hörs. Wi-Fi-ikonen börjar blinka.
- Följ anvisningarna i appen för att konfigurera Wi-Fi (se ovan).
- När Wi-Fi har konfigurerats och anslutningen upprättats är Wi-Fi-ikonen tänd och lyser med fast sken.
- Om ingen åtgärd utförs inom 30 minuter avslutar Wi-Fi automatiskt konfigurationsläget.
- Om Wi-Fi redan har konfigurerats, sker en automatisk återanslutning enligt konfigurationsinformationen.

Återställ Wi-Fi genom att trycka och hålla ned Wi-Fi—Mode knappen i 2 s, Wi-Fi återställs och en ljudsignal hörs. Wi-Fi kommer att automatiskt gå in i konfigurationsläget (Wi-Fi-ikonen börjar blinka igen).

Stäng av Wi-Fi genom att trycka på Wi-Fi-knappen för 3s.

## Radiomodul - Tekniska data

Frekvens Hastighet (OFR)	2400 MHz-2843.5 MHz
Kanalfrekvenser	2412...2472 MHz(steglängd5 MHz)
Maximal kraft(EIRP)	100 mW

Radioutrustningstypen överensstämmer med direktivet 2014/53/EU.

# FELSÖKNING

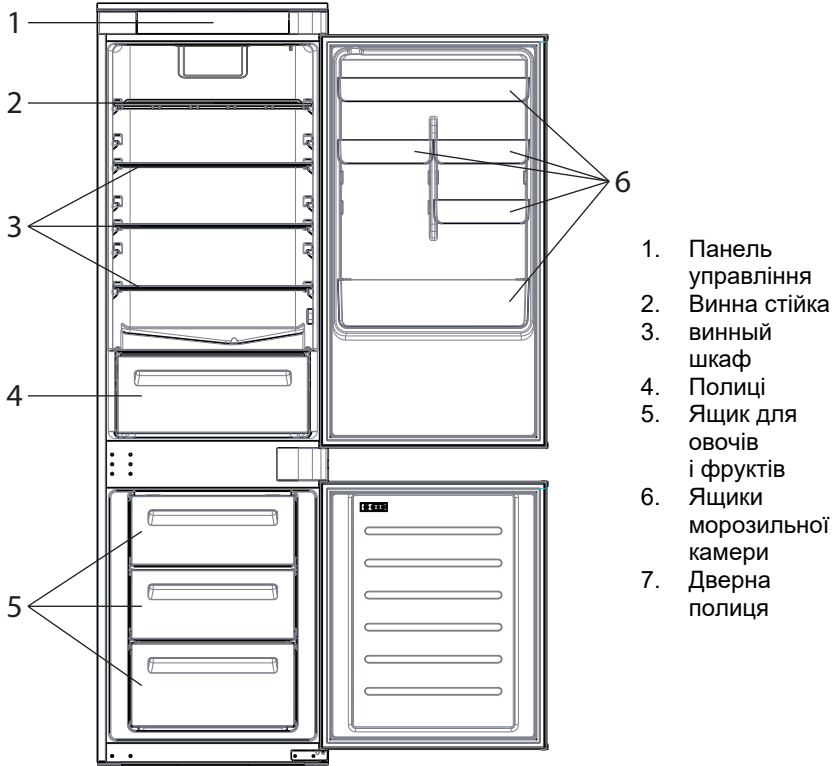
Den invändiga glödlampan tänds inte.	• Ingen elektricitet.	• Nätkabeln är inte korrekt ansluten. • Kontrollera om apparaten är avstängd (se Temperaturjustering). • Kontrollera att eluttaget fungerar korrekt (t.ex. med en annan elektrisk apparat).
	• Holiday-läget är aktiverat.	• Avaktivera Holiday-läget.
Kylskåpets och/eller frysens innetemperatur är inte tillräckligt kall.	• Dörrarna är inte stängda.	• Kontrollera att dörren och packningarna sluter ordentligt.
	• Dörrarna öppnas för ofta.	• Undvik att öppna dörrarna i onödan under en tid.
	• Felaktig temperaturinställning.	• Kontrollera temperaturinställningen och, om möjligt, ställ in en lägre temperatur (se Temperaturjustering).
	• Kylskåpet och/eller frysen är för fulla.	• Vänta tills temperaturen i kyl- och frysskåpet har stabiliserats. • Undvik att fylla kylan och frysen för mycket.
	• Omgivningstemperaturen är för låg.	• Flytta enheten till en varmare plats eller värm upp det aktuella rummet.
	• Varma föremål har förvarats.	• Låt alltid föremål svalna innan du förvarar dem.
Maten i kylan fryser.	• Felaktig temperaturinställning.	• Kontrollera temperaturinställningen och höj om möjligt temperaturen.
	• Mat i kontakt med bakväggen.	• Håll maten borta från kylskåpets bakvägg.
Det är blött eller finns vattendroppar i botten på kylskåpet.	• Avloppsslangen kan vara igensatt.	• Rengör avloppsslangen med en pinne eller liknande för att få vattnet att rinna ut.
Förekomst av vattendroppar eller frost på kylskåpets bakre vägg.	• Beroende på funktion bildas vattendroppar eller frost på kylskåpets bakre vägg under drift.	• Det är inte en defekt.
	• Varma föremål har förvarats.	• Låt alltid föremål svalna innan du förvarar dem.
	• Behållare med mat eller vätskor är öppna.	• Täck alltid över livsmedel och vätskor.
	• Dörrarna är inte stängda.	• Kontrollera att dörren och packningarna sluter ordentligt.
	• Dörrarna öppnas för ofta.	• Undvik att öppna dörrarna i onödan under en tid.
Förekomst av vatten i grönsakslådan.	• Brist på luftcirkulation.	• Kontrollera att apparaten inte är för full.
	• Grönsaker och frukt som innehåller mycket vatten.	• Slå in frukt och grönsaker i plastmaterial, t.ex. plastfolie, påsar eller behållare.
Motorn körs kontinuerligt.	• Dörrarna är inte stängda.	• Se till att dörrarna är stängda och kontrollera att tätningarna sluter ordentligt.
	• Dörrarna öppnas ofta.	• Undvik att öppna dörrarna i onödan under en tid.
	• Omgivningstemperaturen är mycket hög.	• Kontrollera att omgivningstemperaturen ligger inom det intervall som anges i specifikationerna på apparatens etikett. • Ställ in displayn/termostaten på en varmare temperatur.
	• Apparaten har varit avstängd (ingen ström) under en tid.	• Det tar normalt 8-12 timmar för apparaten att svalna helt.
Den frysta maten tinas upp.	• Omgivningstemperaturen är för låg.	• Flytta enheten till en varmare plats eller värm upp det aktuella rummet.
	• Frysens dörr är inte stängd.	• Se till att dörren är stängd och att packningen är ordentligt tätad.
Larm för öppen kylskåpsdörr.	• Kylskåpslarmet (akustisk ljudsignal) aktiveras när dörren lämnas öppen i mer än 3 minuter.	• Undvik att lämna dörren öppen när det inte behövs. Larmet upphör när dörren stängs.
Apparaten ger ifrån sig gurglande, surrande, klickande och knakande ljud.	• Inga maskinhavrier. En motor är igång, t.ex. kylaggregat, fläkt. Köldmediet fyller in i rören. Motor, brytare och magnetventiler slås på eller av.	• Ingen åtgärd behövs.
	• Apparaten är inte placerad på en plan yta.	• Justera fötterna för att nivellera apparaten.
	• Apparaten rör vid ett föremål i runt omkring den.	• Ta bort föremål runt apparaten.
Apparaten kyls inte, temperatur- och belysningsindikatorerna är på.	• Demoläget är aktiverat.	• Avaktivera DEMO-läget.
Is- och frostbildning i frysdelen.	• Varorna var inte ordentligt förpackade.	• Förpacka alltid varor väl.
	• En dörr/låda i apparaten är inte helt stängd.	• Stäng dörren/lådan.
	• Dörren/lådan har öppnats för ofta eller för länge.	• Öppna inte dörren/lådan för ofta.
	• Dörrens/lådans packning(ar) är smutsig(a), slitna(na), sprucken(na) eller felanpassad(e).	• Rengör dörrens/lådans packning eller byt ut den mot en ny.
	• Något på insidan hindrar dörren/lådan från att stänga ordentligt.	• Flytta om hyllorna, dörrhyllorna eller de inre behållarna så att dörren/lådan kan stängas.
Apparatens sidor är varma.	• Det är normalt.	

# Резюме

---

ОПИС ПРОДУКТУ .....	2
ЕКСПЛУАТАЦІЯ .....	3
Експлуатація .....	3
Керування режимом очікування дисплея.....	4
Режими .....	4
Налаштування температури холодильника.....	4
Налаштування температури морозильної камери.....	4
Індивідуальне налаштування температури .....	5
Функція Super Cool .....	5
Функція Super Freeze .....	6
Режим Eco .....	6
Функція Holiday .....	7
Розморожування .....	7
Демонстраційний режим .....	7
ВИКОРИСТАННЯ WI-FI .....	7
Процедура поєднання в додатку .....	8
Використання Wi-Fi .....	9
ПОШУК ТА УСУНЕННЯ НЕСПРАВНОСТЕЙ .....	10

## ОПИС ПРОДУКТУ



\* Для максимально економічної щодо енергоспоживання конфігурації у приладі має бути встановлено висувні ящики, ящик для продуктів та полиці, а вентилятор вимкнений відповідно до зображень вище.

\*\* Зображення вище наведено лише для ознайомлення. Фактична конфігурація приладу залежить від моделі або специфікації дистриб'ютора.

### Вимоги до розміщення

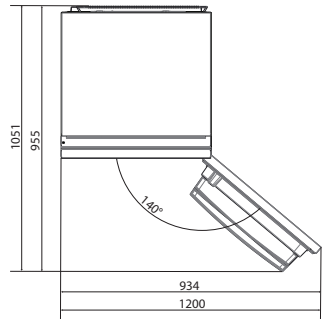
Дверцята приладу мають відчинятися повністю, як показано. Забезпечте достатньо вільного місця для зручного відчинення дверцят і висувних ящиків. Дотримуйтесь відстань не менше 50 мм між бічними стінками виробу та сусідніми частинами.

540 мм Шафа: Ширина: 934 мм

Глибина: 955 мм

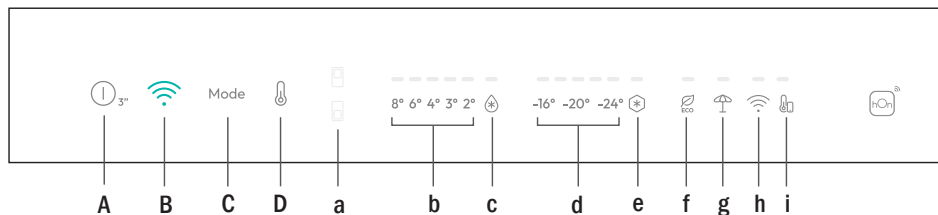
700 мм Шафа: Ширина: 1200 мм

Глибина: 1051 мм





# ЕКСПЛУАТАЦІЯ



- A. Кнопка УВІМК/ВИМК, натисніть протягом 3 секунд. Прилад умикається з тривалим звуковим сигналом системи зворотного зв'язку (1 с).
- B. Кнопка Wi-Fi, використовується для підключення приладу
- C. Кнопка Mode, використовується для вибору між холодильником, морозильником, еко та відпусткою
- D. Кнопка TEMP, використовується для вибору між рівнями температури (також Super Cool і Super Freeze)
  - a. Значок зони холодильного відсіку/морозильної камери, що показує, який відсік приладу вибрано
  - b. Рівні температури в холодильнику, які показують вибрану температуру
  - c. Піктограма Super Cool, показує, чи активована функція Super Cool
  - d. Рівні температури в морозильній камері, які показують вибрану температуру в морозильній камері
  - e. Піктограма Super Freeze, показує, чи активована функція Super Freeze
  - f. Піктограма режиму Eco, показує, чи активовано режим Eco
  - g. Піктограма функції Holiday, покажіть, чи активовано функцію відпустки
  - h. Піктограма Wi-Fi, показує, чи працює функція Wi-Fi і чи підключено прилад
  - i. Піктограма індивідуального налаштування температури, показує, чи вибрано температуру в додатку

## Експлуатація

- Підключіть прилад до мережі, і він автоматично ввімкнеться з тривалим звуковим сигналом (1 секунда). Усі світлодіоди засвітяться (1 секунда), потім світлодіодні індикатори температури холодильника та морозильника засвітяться постійно.
- Температура автоматично встановлюватиметься на рівні 4 °C у холодильному відсіку та -18 °C у морозильній камері.  
**ПРИМІТКА.** Зачекайте щонайменше 2/3 години, перш ніж покласти продукти в прилад, для забезпечення належної температури всередині холодильника.
- У випадку порушення електропостачання буде відновлено останній встановлений рівень охолодження.
- Щоб відновити налаштування за замовчуванням, натисніть на дверний вимикач всередині холодильника і водночас натискайте кнопку УВІМК/ВИМК протягом 5 секунд.
- У нормальних умовах експлуатації (навесні та восени) рекомендується встановлювати температуру 4 °C. Влітку, коли температура довкілля висока, рекомендується встановити температуру 6~8 °C, щоб гарантувати температуру холодильного відсіку та морозильної камери і зменшити час безперервної роботи холодильника; а взимку, коли температура довкілля низька, рекомендується встановити температуру 3~4 °C, щоб уникнути частих запусків/зупинок холодильника.

## **Керування режимом очікування дисплея**

- Якщо дверцята зачинені -> дисплей у режимі очікування (усі світлодіодні індикатори вимкнені).
- Якщо дверцята відчинені -> світлодіодні індикатори поточної температури холодильника й морозильної камери увімкнені (постійно).
- Світлодіодні індикатори режимів ECO + Holiday увімкнені (постійно), якщо їх було вибрано раніше.
- Дисплей готовий до введення даних (активувати його дотиком не потрібно).

## **Режими**

Кнопка Mode (Режим) використовується для перемикання між різними режимами:

Відповідний світлодіодний індикатор увімкнеться, а вибраний варіант буде відразу підтверджено (без блимання).

Вибір буде підтверджено за допомогою короткого звукового сигналу системи зворотного зв'язку.

## **Налаштування температури холодильника**

Після ввімкнення дисплейної панелі виберіть опцію налаштування температури холодильника натисканням кнопки MODE. Увімкнеться світлодіодний індикатор холодильного відсіку.

Натискайте кнопку TEMP, доки не буде встановлено потрібну температуру.

Значення температури змінюється так: 8 °C -> 6 °C -> 4 °C -> 3 °C -> 2 °C -> інтенсивне охолодження -> 8 °C...

Відповідний світлодіодний індикатор увімкнеться, а вибраний варіант буде відразу підтверджено (без блимання). Вибір буде підтверджено за допомогою короткого звукового сигналу системи зворотного зв'язку.

## **Налаштування температури морозильної камери**

Після ввімкнення дисплейної панелі виберіть опцію налаштування температури морозильної камери натисканням кнопки MODE. Увімкнеться світлодіодний індикатор морозильного відсіку.

Натискайте кнопку TEMP, доки не буде встановлено потрібну температуру.

Значення температури змінюється так: -16 °C -> -18 °C -> -20 °C -> -22 °C -> -24 °C -> інтенсивне заморожування -> -16 °C...

Відповідний світлодіодний індикатор увімкнеться, а вибраний варіант буде відразу підтверджено (без блимання).

Вибір буде підтверджено за допомогою короткого звукового сигналу системи зворотного зв'язку.

## **Зверніть увагу!**

Перемикання з холодильного на морозильний відсік і навпаки відбувається відразу, коли користувач натискає кнопку MODE. Вибраний варіант негайно активується. Світлодіодні індикатори температури не блимають

## **Індивідуальне налаштування температури**

Для холодильного відсіку можна вибрати температуру від 2 до 8 °С, а для морозильної камери — від -16 до -24 °С. Якщо температуру вибрано в додатку, активується піктограма індивідуально налаштованої температури, а всі світлодіодні індикатори температури відповідного відсіку вимикаються. Зокрема, у разі вибору температури холодильного відсіку в додатку світлодіодні індикатори від 2 до 8 °С вимикаються. Якщо ж у додатку вибрано температуру морозильної камери, вимкнуться світлодіодні індикатори від -16 до -24 °С.

Якщо індивідуальне налаштування температури здійснено лише для одного відсіку (морозильного або холодильного), температура, вибрана для другого відсіку, не змінюється, водночас світлодіодний індикатор вибраної для нього температури залишається ввімкненим.

Тривалий звуковий сигнал системи зворотного зв'язку (1 с) підтверджує завершення під'єднання.

## **Функція Super Cool**

Рекомендується ввімкнути функцію Super Cool, якщо потрібно покласти на зберігання велику кількість продуктів (наприклад, після покупки). Функція Super Cool прискорює охолодження свіжої їжі та захищає продукти, що зберігаються в приладі, від небажаного нагрівання. Коли функцію активовано, автоматично встановлюється температура холодильного відсіку 2 °С.

Як користуватися функцією Super Cool:

- Цю функцію можна активувати довгим натисканням кнопки TEMP, щоб вибрати холодильний відсік з наступним швидким натисканням кнопки TEMP, поки не ввімкнеться піктограма Super Cool; або цю функцію можна ввімкнути в додатку. Коли функцію активовано, світлодіодний індикатор Super Cool буде завжди ввімкнений.
- Щоб вимкнути функцію Super Cool, натисніть кнопку TEMP; або вимкніть цю функцію в додатку.
- Функція Super Cool автоматично вимкнеться, коли мине більше 12 годин після її активації.
- Після вимкнення функції Super Cool піктограма на панелі керування вимикається, і відновлюється попередньо встановлений рівень охолодження.

**Примітка.** Функції Super Cool і Super Freeze неможливо активувати одночасно.

## Функція Super Freeze

Функція суперзаморожування прискорює заморожування свіжих продуктів харчування та захищає вже збережені товари від небажаного нагрівання. Якщо потрібно заморозити велику кількість продуктів, рекомендується ввімкнути функцію Super Freeze за 24 години до використання. Коли функцію активовано, температура автоматично встановлюється на  $-22\text{ }^{\circ}\text{C}$ .

Як користуватися функцією Super Freeze:

- Цю функцію можна запустити довгим натисканням кнопки TEMP, щоб вибрати морозильну камеру з наступним швидким натисканням кнопки TEMP, поки не ввімкнеться піктограма Super Freeze; або цю функцію можна ввімкнути в додатку. Коли функцію активовано, світлодіодний індикатор Super Freeze буде постійно ввімкнений.
- Щоб вимкнути функцію Super Freeze, натисніть кнопку TEMP; або вимкніть цю функцію в додатку.
- Функція Super Freeze автоматично вимкнеться, коли мине більше 50 годин після її активації.
- Після вимкнення функції Super Freeze піктограма на панелі керування вимикається, і відновлюється попередньо встановлений рівень заморожування.

**Примітка.** Функції Super Cool і Super Freeze неможливо активувати одночасно.

## Режим Eco

Режим Eco можна ввімкнути для оптимізації продуктивності приладу з одночасним забезпеченням найкращих умов зберігання їжі. Режим Eco автоматично встановить температуру  $4\text{ }^{\circ}\text{C}$  в холодильному відсіку та  $-18\text{ }^{\circ}\text{C}$  в морозильній камері.

Як користуватися режимом Eco:

- Функцію можна активувати з панелі керування, натискаючи кнопку "mode", поки не ввімкнеться піктограма режиму Eco (звуковий сигнал підтверджує вибір); або можна вибрати функцію в додатку. Після активації цієї функції піктограма режиму Eco буде завжди ввімкнена.
- Щоб вийти з режиму Eco, вимкніть його в додатку або виберіть іншу функцію на панелі керування.
- Після вимкнення режиму Eco піктограма на панелі керування вимикається, і відновлюються раніше встановлені рівні охолодження.

## Функція Holiday

Функцію Holiday можна використовувати для зменшення енергоспоживання приладу, якщо він не використовується регулярно. Коли функція увімкнена, світлодіодні індикатори вимикаються (навіть якщо дверцята відчинені), а холодильний відсік перемкнеться у режим низького енергоспоживання, тоді як морозильна камера працюватиме нормально.

Як використовувати функцію Holiday:

- Функцію можна активувати з панелі керування, натискаючи кнопку “mode”, поки не ввімкнеться піктограма функції Holiday (звуковий сигнал підтверджує вибір); або можна вибрати функцію в додатку. Коли функцію активовано, піктограма Holiday буде завжди ввімкнена.
- Щоб вимкнути функцію Holiday, вимкніть її в додатку або виберіть іншу функцію на панелі керування.
- Після вимкнення функції Holiday піктограма на панелі керування вимикається, і відновлюються раніше встановлені рівні охолодження.

## Розморожування

Коли шар наморозі в морозильній камері перевищує 3 мм, рекомендується перейти до розморожування, оскільки така наморозь збільшує енергоспоживання.

- Вимкніть прилад і від'єднайте кабель живлення.
- Витягніть заморожені продукти і тимчасово розмістіть її в прохолодному місці.
- Залиште дверцята морозильної камери відчиненими і збирайте воду, що накопичується на дні приладу.
- Після завершення розморожування ретельно витріть внутрішні поверхні приладу насухо.
- Знову підключіть кабель живлення і встановіть бажані налаштування.
- Трохи зачекайте і знову покладіть до приладу заморожені продукти.

## Демонстраційний режим

Щоб увійти в демонстраційний режим із незаблокованим дисплеєм, утримуйте натиснутою кнопку Wi-Fi (B) і натисніть кнопку MODE (C) 5 разів протягом 5 секунд. Щоб вийти з демонстраційного режиму, виконайте ті самі дії або вимкніть холодильник.

## Коди помилок

- Помилка обміну даними

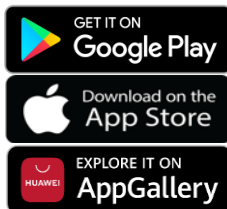
Світлодіодні індикатори 8 °C – 6 °C – 4 °C – 3 °C – 2 °C вмикаються послідовно; це означає, що між головною платою управління та платою дисплея виникла помилка обміну даними. Зверніться до служби технічної допомоги, щоб отримати допомогу у вирішенні проблеми

## ВИКОРИСТАННЯ WI-FI

### Процедура поєднання в додатку

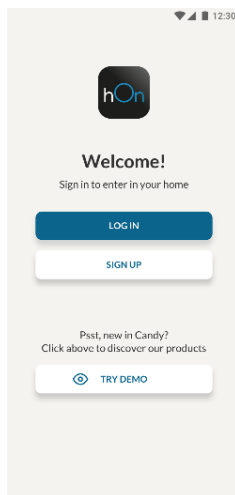
#### Крок 1

- Завантажте додаток hOn



#### Крок 2

- Створіть обліковий запис у додатку hOn або увійдіть у систему, якщо у вас вже є обліковий запис



#### Крок 3

- Дотримуйтеся вказівок із поєднання в додатку hOn

## Використання Wi-Fi

Після ввімкнення дисплейної панелі запустить синхронізацію коротким натисканням кнопки Wi-Fi, після чого світлодіодний індикатор Wi-Fi почне блимати. Щоб завершити під'єднання, дотримуйтеся інструкції у додатку.

Установлення з'єднання буде підтверджено тривалим звуковим сигналом системи зворотного зв'язку (1 с), після чого світлодіодний індикатор залишиться ввімкненим.

Якщо Wi-Fi ще не налаштовано, після ввімкнення холодильник автоматично ввійде у режим конфігурування і залишиться в цьому стані на 30 хвилин. Щоб скористатися режимом конфігурування:

- Натискайте кнопку Wi-Fi протягом 2 секунд; холодильник увійде в режим налаштування Wi-Fi і видасть звуковий сигнал. Піктограма Wi-Fi почне блимати.
- Дотримуйтеся вказівок у додатку, щоб налаштувати Wi-Fi (див. вище).
- Після налаштування Wi-Fi та встановлення з'єднання піктограма Wi-Fi ввімкнеться та світитиметься неперервно.
- Через 30 хвилин бездіяльності функція Wi-Fi автоматично вийде з режиму налаштування.
- Якщо Wi-Fi вже налаштовано, з'єднання автоматично відновиться відповідно до даних конфігурування.

Щоб скинути налаштування Wi-Fi, натискайте та утримуйте кнопку Wi-Fi – Mode протягом 2 секунд; налаштування Wi-Fi буде скинуто, і прилад видасть звуковий сигнал. Після цього функція Wi-Fi автоматично перейде в стан конфігурування (піктограма Wi-Fi знову почне блимати).

Щоб вимкнути функцію Wi-Fi, натисніть кнопку Wi-Fi протягом 3с.

## Радіомодуль - Технічні дані

Частота (OFR)	2400 MHz-2843.5 MHz
Частоти каналу	2412...2472 MHz(розмір кроку 5 MHz)
Максимальна потужність(EIRP)	100 mW

Тип радіобладнання відповідає Директиві 2014/53/EU.

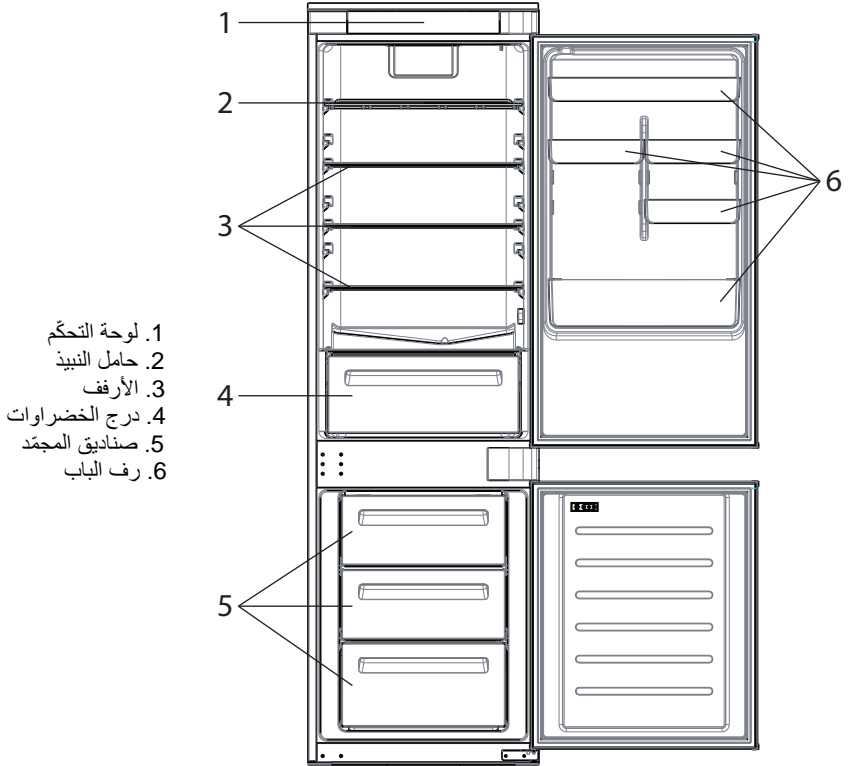
## ПОШУК ТА УСУНЕННЯ НЕСПРАВНОСТЕЙ

Внутрішня лампочка не світиться.	<ul style="list-style-type: none"> <li>Немає електроживлення.</li> <li>Режим Holiday активовано.</li> </ul>	<ul style="list-style-type: none"> <li>Кабель живлення не підключено належним чином.</li> <li>Перевірте, чи не вимкнено прилад (див. Регулювання температури).</li> <li>Перевірте, чи правильно працює розетка (наприклад, з іншим електричним приладом).</li> <li>Вимкніть режим Holiday.</li> </ul>
Внутрішня температура холодильника та/або морозильної камери недостатньо низька.	<ul style="list-style-type: none"> <li>Дверцята не зачинені.</li> <li>Дверцята часто відчиняються.</li> <li>Неправильне налаштування температури.</li> <li>Холодильник та/або морозильна камера заповнені.</li> <li>Температура навколишнього середовища занадто низька.</li> <li>На зберігання покладені теплі продукти харчування.</li> </ul>	<ul style="list-style-type: none"> <li>Переконайтеся, що дверцята й ущільнювачі зачинені належним чином.</li> <li>Деякий час не відчиняйте дверцята без потреби.</li> <li>Перевірте налаштування температури та, якщо можливо, встановіть низьку температуру (див. Регулювання температури).</li> <li>Докачайте стабілізаціі температури холодильника/ морозильної камери.</li> <li>Уникайте надмірного наповнення холодильника та морозильної камери.</li> <li>Перемістіть прилад у тепліше місце або обітріть поточне приміщення.</li> <li>Перш ніж класти продукти до приладу обов'язково давайте їм охолонути.</li> </ul>
Продукти в холодильнику замерзають.	<ul style="list-style-type: none"> <li>Неправильне налаштування температури.</li> <li>Продукти контактують із задньою стінкою.</li> </ul>	<ul style="list-style-type: none"> <li>Перевірте налаштування температури та, якщо можливо, збільшіть температуру.</li> <li>Тримайте продукти подалі від задньої стінки холодильника.</li> </ul>
Дно морозильної камери вологе або присутні краплі води.	<ul style="list-style-type: none"> <li>Зливний шланг може бути забитий.</li> </ul>	<ul style="list-style-type: none"> <li>Очистіть зливний шланг пап'юною або подібним предметом, щоб вода стікала.</li> </ul>
Наявність крапель води або наморозі на задній стінці холодильника.	<ul style="list-style-type: none"> <li>Залежно від функції під час роботи на задній стінці холодильника утворюються краплі води або намороз.</li> <li>На зберігання покладені теплі продукти харчування.</li> <li>С відкриті контейнери для харчових продуктів або рідини.</li> <li>Дверцята не зачинені.</li> <li>Дверцята часто відчиняються.</li> </ul>	<ul style="list-style-type: none"> <li>Це не дефект.</li> <li>Перш ніж класти продукти до приладу обов'язково давайте їм охолонути.</li> <li>Завжди покривайте їх у таку та рідину.</li> <li>Переконайтеся, що дверцята й ущільнювачі зачинені належним чином.</li> <li>Деякий час не відчиняйте дверцята без потреби.</li> </ul>
Наявність води в ящику для овочів.	<ul style="list-style-type: none"> <li>Відсутність циркуляції повітря.</li> <li>Овочі й фрукти з занадто великою кількістю вологи.</li> </ul>	<ul style="list-style-type: none"> <li>Переконайтеся, що прилад не переповнений.</li> <li>Загорніть фрукти й овочі у пластикові матеріали, наприклад, у харчову плівку, або помістіть їх у пакети чи контейнери.</li> </ul>
Двигун працює безперервно.	<ul style="list-style-type: none"> <li>Дверцята не зачинені.</li> <li>Дверцята часто відчиняються.</li> <li>Температура навколишнього середовища дуже висока.</li> <li>Прилад був вимкнений (без живлення) протягом деякого часу.</li> </ul>	<ul style="list-style-type: none"> <li>Переконайтеся, що дверцята зачинені, і перевірте, чи зачинені належним чином ущільнення.</li> <li>Деякий час не відчиняйте дверцята без потреби.</li> <li>Переконайтеся, що температура навколишнього середовища знаходиться в діапазоні, вказаному у характеристиках на етикетці приладу.</li> <li>Встановіть на екрані дисплея/термостаті більш високу температуру.</li> <li>Зазвичай для повного охолодження приладу потрібно 8-12 годин.</li> </ul>
Заморожені продукти розморозжуються.	<ul style="list-style-type: none"> <li>Температура навколишнього середовища занадто низька.</li> <li>Дверцята морозильної камери не зачинені.</li> </ul>	<ul style="list-style-type: none"> <li>Перемістіть прилад у тепліше місце або обітріть поточне приміщення.</li> <li>Переконайтеся, що дверцята зачинені, а ущільнення герметично.</li> </ul>
Сигналізація відчинених дверцят холодильника.	<ul style="list-style-type: none"> <li>Сигналізація відчинених дверцят холодильника (звуковий сигнал) спрацює кожного разу, коли дверцята залишаються відчиненими більше 3 хвилин.</li> </ul>	<ul style="list-style-type: none"> <li>Не залишайте дверцята відчиненими без потреби. Звуковий сигнал вимкнеться, коли дверцята зачиняться.</li> </ul>
Прилад видає такі звуки, як булькання, дзижчання, клацання, скрип.	<ul style="list-style-type: none"> <li>Потіємни відсутні. Двигун працює, наприклад, холодильна установка, вентилятор. Холодоагент надходить у трубки. Двигун, вимкачі й електромагнітні клапани вмикаються або вимикаються.</li> <li>Прилад не розташований на рівній поверхні.</li> <li>Прилад торкається якогось предмета поряд із ним.</li> </ul>	<ul style="list-style-type: none"> <li>Ді не потрібні.</li> <li>Відрегулюйте ніжки, щоб вирівняти прилад.</li> <li>Видальте предмети навколо приладу.</li> </ul>
Прилад не охолоджується, індикатори температури й освітлення світяться.	<ul style="list-style-type: none"> <li>Демонстраційний режим активовано.</li> </ul>	<ul style="list-style-type: none"> <li>Вимкніть ДЕМОНСТРАЦІЙНИЙ режим.</li> </ul>
Значна кількість льоду і намороз у морозильній камері.	<ul style="list-style-type: none"> <li>Продукти не було належним чином упаковано.</li> <li>Дверцята/ящик приладу не зачинено достатньо щільно.</li> <li>Дверцята/ящик відчинялися занадто часто або на занадто тривалий час.</li> <li>Ущільнювач дверцят/ящика забруднений, зношений, тріснутий або не відповідає вимогам.</li> <li>Щось зсередини перешкоджає належному зачиненню дверцят/ящика.</li> </ul>	<ul style="list-style-type: none"> <li>Завжди добре пакуйте продукти.</li> <li>Зачиніть дверцята/ящик.</li> <li>Не відчиняйте дверцята/ящик занадто часто.</li> <li>Очистіть ущільнювачі дверцят/ящика або замініть його новим.</li> <li>Змініть положення полиць, дверних полиць або внутрішніх контейнерів, щоб дверцята/ящик могли зачинитися.</li> </ul>
Бічні стінки приладу теплі.	<ul style="list-style-type: none"> <li>Це нормально.</li> </ul>	



- 2..... وصف المنتج
- 3..... الاستخدام
- 3..... إدارة العرض في وضع stand by (الاستعداد).
- 4..... Mode
- 4..... ضبط درجة حرارة الثالجة.
- 4..... ضبط درجة حرارة الفريزر.
- 4..... درجة الحرارة المخصصة.
- 5..... وظيفة "Super Cool" التبريد الفائق.
- 5..... وظيفة "Super Freeze" التجميد الفائق.
- 6..... وضع Eco
- 6..... وظيفة Holiday
- 7..... إذابة الثلج.
- 7..... الوضع التجريبي
- 7..... رموز الخطأ
- 8..... في إجراء إقران التطبيق
- 9..... استخدام Wi-Fi
- 10..... استكشاف الأعطال وإصلاحها

## وصف المنتج

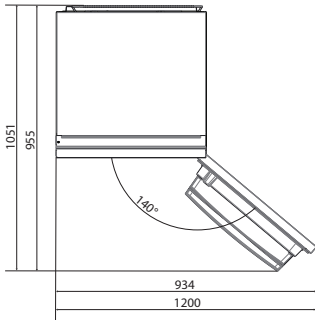


1. لوحة التحكم
2. حامل النبيذ
3. الأرفف
4. درج الخضراوات
5. صناديق المجمد
6. رف الباب

\* يتطلب التكوين الأكثر توفيراً للطاقة أن يتم وضع الأدراج وصندوق الطعام والرفوف في المنتج وإيقاف تشغيل المروحة، يرجى الرجوع إلى الصور أعلاه.  
 \*\* الصور أعلاه مرجعية فقط. سيعتمد التكوين الفعلي على المنتج المادي أو البيان من قبل الموزع.

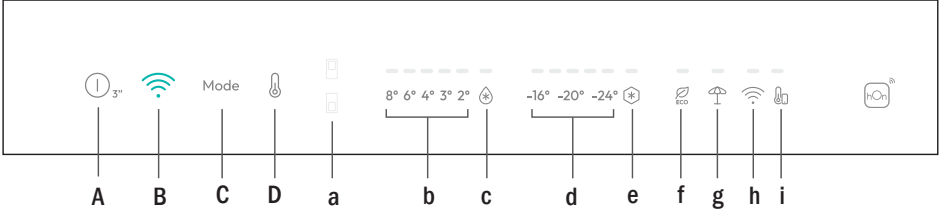
## متطلبات المساحة

يجب أن يكون باب الوحدة قادرًا على الفتح بالكامل كما هو موضح. وفر مساحة كافية للفتح المريح للأبواب والأدراج. احتفظ بمسافة لا تقل عن 50 مم بين الجدران الجانبية للمنتج والأجزاء المجاورة.



- خزانة 540 مم : العرض: 934 مم  
 العمق: 955 ملم  
 خزانة 700 مم: العرض: 1200 مم  
 العمق: 1051 ملم

## الاستخدام



- A. مفتاح التشغيل/الإيقاف، اضغط لمدة 3 ثوانٍ. يتم تشغيل الجهاز بتعليقات صوتية طويلة (ثانية واحدة)  
 B. مفتاح Wi-Fi، يُستخدم لتوصيل الجهاز  
 C. مفتاح Mode، يستخدم للاختيار بين Fridge و Freezer و Eco و Holiday  
 D. مفتاح TEMP، يُستخدم للاختيار بين مستويات درجات الحرارة (أيضًا Super Cool و Super Freeze)

- a. رمز منطقة الثلجة/المجمد، يوضح أي جزء من الجهاز تم تحديده  
 b. مستويات درجة حرارة الثلجة، تبين درجة الحرارة المختارة  
 c. رمز "التبريد الفائق" Super Cool يوضح ما إذا تم تنشيط وظيفة Super Cool  
 d. مستويات درجة حرارة المجمد، تبين درجة الحرارة المختارة في المجمد  
 e. رمز Super Freeze، توضح ما إذا تم تنشيط وظيفة Super Freeze  
 f. رمز وضع Eco، يوضح ما إذا كان الوضع Eco نشط أم لا  
 g. رمز Holiday، يوضح ما إذا كانت وظيفة Holiday نشطة  
 h. رمز Wi-Fi، يوضح ما إذا كانت شبكة Wi-Fi تعمل والجهاز متصل  
 i. رمز درجة الحرارة المخصصة، يبين ما إذا تم تحديد درجة الحرارة بواسطة التطبيق

- **الاستخدام**  
 قم بتوصيل الجهاز ويتم تشغيله تلقائيًا مع ردود فعل صوتية طويلة (1 ثانية) يتم تشغيل جميع مصابيح LED (1 ثانية)، ثم يتم تثبيت مؤشر LED لدرجة حرارة الثلجة ومصباح LED الخاص بالمجمد سيتم ضبط درجة الحرارة تلقائيًا على 4 درجات مئوية في الثلجة و-18 درجة مئوية في المجمد.
- **ملاحظة:** انتظر 3/2 ساعات على الأقل قبل وضع الطعام في الجهاز، وذلك لضمان درجة الحرارة داخل الثلجة.
- عند لمس مفتاح TEMP مرة أخرى، تضيء أيقونة آخر رمز تم تحديده (ثلجة أو مجمد) .  
 في حالة انقطاع الطاقة، ستتم استعادة آخر ضبط لمستوى التبريد.  
 لاستعادة الإعداد الافتراضي، استمر في الضغط على مفتاح الباب داخل الثلجة واضغط في نفس الوقت على مفتاح التشغيل/الإيقاف لمدة 5 ثوانٍ.
- في ظل ظروف التشغيل العادية (في الربيع والخريف)، يوصى بضبط درجة الحرارة عند 4 درجات مئوية. في الصيف أو عندما تكون درجة الحرارة المحيطة مرتفعة، يوصى بضبط درجة الحرارة عند 6 ~ 8 درجة مئوية، وذلك لضمان درجة حرارة الثلجة والمجمد وتقليل وقت التشغيل المستمر للثلجة، وفي الشتاء أو عندما تكون درجة الحرارة المحيطة منخفضة، يوصى بضبط درجة الحرارة عند 3 ~ 4 درجات مئوية لتجنب التشغيل/التوقف المتكرر للثلجة.

## إدارة العرض في وضع (stand by) الاستعداد)

- إذا كان الباب مغلقًا -> يكون العرض في وضع standby (الاستعداد) (جميع مؤشرات LED مطفأة)
- إذا كان الباب مفتوحًا -> يتم تشغيل مصباح LED الخاص بدرجة حرارة الثلاجة الحالية ومصباح LED الخاص بدرجة حرارة المجمد (ثابت).
- يتم تشغيل مصباحي LED لوضع ECO + Holiday إذا تم تحديدهما مسبقًا.
- الشاشة جاهزة لتلقي المدخلات (ليست هناك حاجة إلى تنشيطها باللمس).

## Mode

يُستخدم زر mode للتبديل بين الأوضاع المختلفة.  
يتم تشغيل مصباح LED ذي الصلة ويتم تأكيد التحديد على الفور (دون وميض).  
تعمل التعليقات الصوتية القصيرة على تأكيد التحديد.

## ضبط درجة حرارة الثلاجة

عندما تكون لوحة العرض في وضع التشغيل، حدد "ضبط درجة حرارة الثلاجة" من خلال الضغط على زر MODE (الوضع). يضيء مصباح LED الخاص بمنطقة الثلاجة. اضغط على زر TEMP (درجة الحرارة) حتى يتم ضبط درجة الحرارة المطلوبة. تتغير قيمة درجة الحرارة بهذه الطريقة: 8 درجات مئوية -> 6 درجات مئوية -> 4 درجات مئوية -> 3 درجات مئوية -> 2 درجة مئوية 8 درجات مئوية يتم تشغيل مصباح LED ذي الصلة ويتم تأكيد التحديد على الفور (دون وميض).  
تعمل التعليقات الصوتية القصيرة على تأكيد التحديد.

## ضبط درجة حرارة الفريزر

عندما تكون لوحة العرض في وضع التشغيل، حدد "ضبط درجة حرارة الفريزر" من خلال الضغط على زر MODE (الوضع). يضيء مصباح LED الخاص بمنطقة الفريزر.  
اضغط على زر TEMP (درجة الحرارة) حتى يتم ضبط درجة الحرارة المطلوبة.  
تتغير قيمة درجة الحرارة بهذه الطريقة: 16 درجة مئوية -> 18 درجة مئوية -> 20 درجة مئوية -> 22 درجة مئوية -> 24 درجة مئوية 16 درجة مئوية يتم تشغيل مصباح LED ذي الصلة ويتم تأكيد التحديد على الفور (دون وميض).  
تعمل التعليقات الصوتية القصيرة على تأكيد التحديد.

## ملاحظة

يكون التبديل من منطقتي الثلاجة إلى المجمد والعكس فوراً عندما يضغط المستخدم على زر MODE (الوضع)، ويكون التحديد نشطاً على الفور.  
لا تومض مصابيح LED الخاصة بدرجة الحرارة.

## درجة الحرارة المخصصة

من التطبيق يمكن تخصيص درجة الحرارة لكل من التلاجة والمجمد. يمكن ضبط درجة الحرارة بحساسة 1 درجة مئوية. من الممكن تحديد درجة حرارة من 2 إلى 8 درجات مئوية في التلاجة، ومن -16 درجة مئوية إلى -24 درجة مئوية في المجمد. عندما يتم تحديد درجة الحرارة بوساطة التطبيق، يتم تشغيل رمز درجة الحرارة المخصصة، بينما يتم إيقاف تشغيل جميع مصابيح LED الخاصة بدرجة الحرارة في الحجرة المتأثرة (على سبيل المثال، إذا تم تحديد درجة حرارة التلاجة من التطبيق، يتم إيقاف تشغيل مصابيح LED من 2 درجة مئوية إلى 8 درجات مئوية. إذا تم تحديد درجة حرارة المجمد من التطبيق، يتم إيقاف تشغيل مصابيح LED من -16 درجة مئوية إلى -24 درجة مئوية).

إذا كانت منطقة واحدة فقط (المجمد أو التلاجة) تحتوي على درجة الحرارة المخصصة، فلن يتغير تحديد درجة الحرارة للمنطقة الأخرى ويظل مصباح LED الخاص بدرجة الحرارة المحددة لتلك المنطقة مضاءً. يتم إصدار إشارة صوتية في كل مرة يتم فيها تغيير درجة الحرارة. التعليقات الصوتية الطويلة (لمدة ثانية) تؤكد اكتمال الاتصال.

## وظيفة "Super Cool" التبريد الفائق

يُقترح تشغيل وظيفة Super Cool إذا كان يجب تخزين كمية كبيرة من الطعام (على سبيل المثال بعد الشراء). تعمل وظيفة Super-Cool على تسريع تبريد الطعام الطازج، وتحمي البضائع المخزنة بالفعل من الاحترار غير المرغوب فيه. عند تنشيط الوظيفة، يتم ضبط درجة حرارة التلاجة تلقائيًا على 2 درجة مئوية. كيفية استخدام وظيفة Super Cool:

- يمكن تنشيط الوظيفة عن طريق الضغط لفترة طويلة على مفتاح TEMP لتحديد حجرة التلاجة، ثم الضغط السريع على مفتاح TEMP حتى يتم تشغيل رمز Super Cool، أو يمكن تشغيله من التطبيق. عند تنشيط الوظيفة، يكون مؤشر Super Cool LED دائمًا قيد التشغيل.
- للخروج من وظيفة Super Cool، اضغط على مفتاح TEMP أو قم بإيقاف تشغيله من التطبيق.
- تنتهي وظيفة Super Cool تلقائيًا عندما تستمر الوظيفة لأكثر من 12 ساعة.
- عندما تنتهي وظيفة Super Cool، يتم إيقاف تشغيل أيقونة لوحة التحكم ويتم استعادة مستوى التبريد الذي تم ضبطه مسبقًا.

**ملاحظة:** لا يمكن تنشيط وظيفة Super Cool و Super Freeze في نفس الوقت.

## وظيفة "Super Freeze التجميد الفائق"

تعمل وظيفة super freezing على تسريع تبريد الطعام الطازج وتحمي البضائع المخزنة بالفعل من الاحترار غير المرغوب فيه. إذا كان لا بد من تجميد كمية كبيرة من الطعام، يوصى بضبط وظيفة Super-Freeze على 24 ساعة قبل الاستخدام. عند تنشيط الوظيفة، يتم ضبط درجة الحرارة تلقائيًا على -22 درجة مئوية.

كيفية استخدام وظيفة Super Freeze:

- يمكن تشغيل الوظيفة عن طريق الضغط لفترة طويلة على مفتاح TEMP لتحديد حجيرة المجمد، ثم الضغط السريع على مفتاح TEMP حتى يتم تشغيل رمز Super Freeze، أو يمكن تشغيله من التطبيق. عند تنشيط الوظيفة، يكون مؤشر Super Freeze LED دائمًا قيد التشغيل.
  - للخروج من وظيفة Super Freeze، اضغط على مفتاح TEMP أو قم بإيقاف تشغيله من التطبيق.
  - تنتهي وظيفة Super Freeze تلقائيًا عندما تستمر الوظيفة لأكثر من 50 ساعة.
  - عند انتهاء Super Freeze، يتم إيقاف تشغيل أيقونة لوحة التحكم ويتم استعادة مستوى التجميد المحدد مسبقًا.
- ملاحظة: لا يمكن تنشيط وظيفة Super Cool و Super Freeze في نفس الوقت.

## وضع Eco

يمكن تنشيط وضع Eco لتحسين أداء الجهاز، مع الحصول على أفضل تخزين للطعام. سيعمل وضع Eco تلقائيًا على ضبط درجة الحرارة عند 4 درجات مئوية في الثلاجة و-18 درجة مئوية في المجمد.

كيفية استخدام وضع Eco:

- يمكن تنشيط الوظيفة من لوحة التحكم بالضغط على مفتاح "Mode" حتى يتم تشغيل رمز وضع Eco (إشارة صوتية تؤكد الاختيار)، أو عن طريق تحديد الوظيفة من التطبيق. عند تنشيط الوظيفة، يكون رمز وضع Eco دائمًا قيد التشغيل.
- للخروج من Eco، قم بإيقاف تشغيله من التطبيق أو اختر وظيفة أخرى من لوحة التحكم.
- عندما ينتهي Eco Mode، يتم إيقاف تشغيل أيقونة لوحة التحكم ويتم استعادة مستويات التبريد التي تم ضبطها مسبقًا.

## وظيفة Holiday

يمكن استخدام وظيفة Holiday لتقليل استهلاك الطاقة للجهاز، عندما لا يتم استخدام الجهاز بانتظام. عندما تكون الوظيفة قيد التشغيل، سيتم إيقاف تشغيل مصابيح LED (حتى إذا كان الباب مفتوحًا) وستعمل الثلاجة في وضع استهلاك منخفض للطاقة)، بينما يستمر المجمد في العمل بشكل طبيعي.

كيفية استخدام وظيفة Holiday:

- يمكن تنشيط الوظيفة من لوحة التحكم بالضغط على مفتاح "mode" حتى يتم تشغيل رمز Holiday (تؤكد إشارة صوتية الاختيار)، أو عن طريق تحديد الوظيفة من التطبيق. عند تنشيط الوظيفة، يكون رمز Holiday دائمًا في وضع التشغيل.
- للخروج من وظيفة Holiday، قم بإيقاف تشغيلها من التطبيق أو اختر وظيفة أخرى من لوحة التحكم.
- عند انتهاء وظيفة Holiday، يتم إيقاف تشغيل رمز لوحة التحكم واستعادة مستويات التبريد التي تم ضبطها مسبقًا.

## إذابة الثلج

عندما تتجاوز طبقة الصقيع الموجودة في حجرة التجميد 3 مم، يوصى بالمضي قدمًا في إزالة الجليد لأن ذلك يزيد من استهلاك الطاقة.

- أوقف تشغيل الجهاز وافصل سلك الطاقة .
- أخرج الأطعمة المجمدة وضعها مؤقتًا في مكان بارد.
- اترك باب الفريزر مفتوحًا واجمع الماء الموجود في الجزء السفلي من المنتج .
- عند اكتمال إزالة الجليد، جفف الجزء الداخلي جيدًا .
- أعد توصيل سلك الطاقة واضبط القيم المطلوبة .
- انتظر لحظة وأعد إدخال الأطعمة المجمدة.

## الوضع التجريبي

للدخول إلى الوضع التجريبي، مع إلغاء قفل الشاشة، استمر في الضغط على مفتاح Wi-Fi (B) واضغط على مفتاح MODE (C) 5 مرات في غضون 5 ثوانٍ. للخروج من الوضع التجريبي، قم بإجراء نفس العملية أو قم بإيقاف تشغيل الثلاجة.

## رموز الخطأ

خطأ في الاتصال

$3^{\circ}\text{C} - 4^{\circ}\text{C} - 6^{\circ}\text{C} - \text{C}$  تضيء مصابيح LED بشكل متتابع، وهذا يعني أنه حدث خطأ في

الاتصال بين لوحة التحكم الرئيسية ولوحة العرض. يرجى الاتصال بالدعم الفني للمساعدة في حل المشكلة

## استخدام Wi-Fi

### في إجراء إقران التطبيق

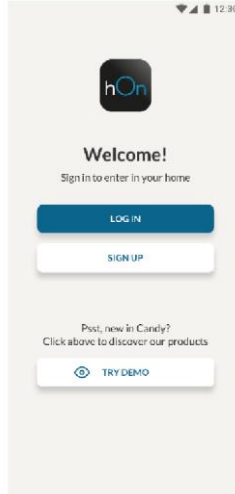
#### الخطوة 1

- قم بتنزيل تطبيق hOn من المتجر



#### الخطوة 2

- قم بإنشاء حسابك على تطبيق hOn أو قم بتسجيل الدخول إذا كان لديك حساب بالفعل



#### الخطوة 3

- اتبع تعليمات الاقتران في تطبيق hOn



## استخدام Wi-Fi

عند تشغيل لوحة الشاشة، يؤدي الضغط على زر Wi-Fi لمدة قصيرة إلى بدء عملية المزامنة ويبدأ مصباح LED الخاص بـ Wi-Fi في الوميض. اتبع التعليمات الواردة في التطبيق لإكمال الاتصال.

تؤكد التعليقات الصوتية الطويلة (لمدة ثانية) أنه قد تم إنشاء الاتصال وأن مؤشر LED يظل ثابتًا.

إذا لم يتم تكوين شبكة Wi-Fi بعد، فعند تشغيل الثلاجة، ستدخل تلقائيًا في وضع التكوين وتحفظ بهذه الحالة لمدة 30 دقيقة. لاستخدام وضع التكوين:

- اضغط على مفتاح Wi-Fi لمدة ثانيتين، تدخل الثلاجة في وضع تكوين Wi-Fi ويتم إصدار إشارة صوتية. يبدأ رمز Wi-Fi في الوميض.
  - اتبع التعليمات الموجودة في التطبيق لتهيئة شبكة Wi-Fi (انظر أعلاه).
  - بمجرد تكوين Wi-Fi وإنشاء الاتصال، يتم تشغيل رمز Wi-Fi ويتم تثبيته.
  - بعد 30 دقيقة دون إجراء أي عملية، ستخرج شبكة Wi-Fi تلقائيًا من وضع التكوين.
  - إذا تم تكوين شبكة Wi-Fi بالفعل، فستتم إعادة الاتصال تلقائيًا وفقًا لمعلومات التكوين.
- لإعادة ضبط Wi-Fi، اضغط لفترة طويلة على مفتاح Wi-Fi Mode لمدة 2 ثانية، وستتم إعادة تعيين Wi-Fi ويتم إصدار إشارة صوتية. بعد ذلك، ستدخل شبكة Wi-Fi تلقائيًا في حالة التكوين (سيبدأ رمز Wi-Fi في الوميض مرة أخرى).
- لإيقاف تشغيل Wi-Fi، اضغط على مفتاح Wi-Fi لمدة 3 ثوانٍ.

## وحدة الراديو - البيانات الفنية

معدل التردد (OFR)	2400 ميغا هرتز - 2843.5 ميغا هرتز
ترددات القنوات	2412...2472 ميغا هرتز (حجم الخطوة 5 ميغا هرتز)
الطاقة القصوى (ميغا وات)	100 ميغا وات

نوع المعدات اللاسلكية يتوافق مع التوجيه EU/2014/53.

## استكشاف الأعطال وإصلاحها

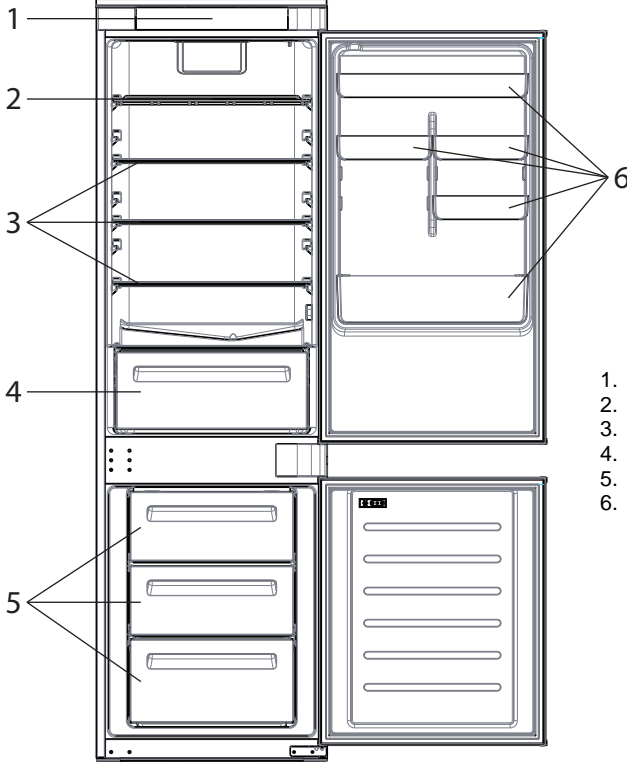
<ul style="list-style-type: none"> <li>لم يتم توصيل كابل الطاقة بشكل صحيح.</li> <li>تأكد من إيقاف تشغيل الجهاز (انظر ضبط درجة الحرارة).</li> <li>تأكد من أن حبل الطاقة يعمل بشكل صحيح (على سبيل المثال مع جهاز كهربائي آخر).</li> </ul>	<ul style="list-style-type: none"> <li>لا توجد كهرباء.</li> </ul>	<p>لمبة الإضاءة الداخلية لا تعمل.</p>
<ul style="list-style-type: none"> <li>قم بإلغاء تنشيط وضع Holiday.</li> <li>تأكد من إغلاق الباب وحشائه بشكل سليم.</li> <li>تجنب فتح الأبواب دون داع لبعض الوقت.</li> <li>تحقق من إعداد درجة الحرارة، وإذا أمكن، اضبط درجة حرارة أقل (انظر ضبط درجة الحرارة).</li> <li>التحقق حتى تستقر درجة حرارة التلاجة/الفرزير.</li> <li>تجنب لعبة التلاجة والفرزير بشكل زائد.</li> <li>انقل الوحدة إلى مكان أكثر ظلاً أو قم بتفئة الغرفة العادية.</li> </ul>	<ul style="list-style-type: none"> <li>لم يتم تنشيط وضع Holiday.</li> <li>الأبواب ليست مغلقة.</li> <li>يتم فتح الأبواب بشكل متكرر.</li> <li>إعداد درجة الحرارة غير صحيح.</li> <li>التلاجة و/أو الفرزير مثقلة أكثر من اللازم.</li> <li>درجة الحرارة المحيطة منخفضة للغاية.</li> <li>تم تخزين الأطعمة وهي دافئة.</li> </ul>	<p>درجة الحرارة الداخلية للتلاجة و/أو الفرزير ليست ياردة بدرجة كافية.</p>
<ul style="list-style-type: none"> <li>تحقق من إعداد درجة الحرارة وقم بزيادة درجة الحرارة إن أمكن.</li> <li>أعد الطعام عن الجدار الخلفي للتلاجة.</li> </ul>	<ul style="list-style-type: none"> <li>إعداد درجة الحرارة غير صحيح.</li> <li>الطعام ملامس للجدار الخلفي.</li> </ul>	<p>يتجمد الطعام الموجود في التلاجة.</p>
<ul style="list-style-type: none"> <li>قم بتنظيف خرطوم التصريف بعناية أو أي شيء مشابه للسماح بتصريف الماء.</li> </ul>	<ul style="list-style-type: none"> <li>قد يكون خرطوم التصريف مسدوداً.</li> </ul>	<p>الجزء السفلي من حجرة التلاجة رطب أو توجد عليه قطرات ماء.</p>
<ul style="list-style-type: none"> <li>لا يدل ذلك على وجود عيب.</li> <li>التأكد من إغلاق الباب وحشائه بشكل سليم.</li> <li>تحقق من إعداد درجة الحرارة وقم بزيادة درجة الحرارة إن أمكن.</li> <li>أعد الطعام عن الجدار الخلفي للتلاجة.</li> </ul>	<ul style="list-style-type: none"> <li>اعتمادًا على الوظيفة، تتشكل قطرات من الماء أو الصقيع على الجدار الخلفي للتلاجة أثناء التشغيل.</li> <li>تم تخزين الأطعمة وهي دافئة.</li> <li>تم ترك أوعية طعام أو سوائل مفتوحة.</li> <li>الأبواب ليست مغلقة.</li> </ul>	<p>يوجد قطرات ماء أو صقيع على الجدار الخلفي للتلاجة.</p>
<ul style="list-style-type: none"> <li>تأكد من أن جهازك ليس مسدوداً أكثر من اللازم.</li> <li>قم بتلفيف الفواكه والخضروات بالماء البستميكي، على سبيل المثال: كرفس فجل أو الأوكاس أو الأروعة.</li> </ul>	<ul style="list-style-type: none"> <li>قوة دوران الهواء.</li> <li>الخضروات والفواكه ذات رطوبة زائدة.</li> </ul>	<p>وجود الماء في درج الخضروات.</p>
<ul style="list-style-type: none"> <li>تأكد من إغلاق الأبواب وتأكد من إغلاق موانع التسرب بشكل صحيح.</li> <li>تجنب فتح الأبواب دون داع لبعض الوقت.</li> <li>تأكد من أن درجة الحرارة المحيطة تقع ضمن النطاق الموصى في المواصفات الموجودة على بطاقة الجهاز.</li> <li>اضبط شاشة العرض/التروسومات على درجة حرارة أكثر ظلاً.</li> <li>وبمتوسط الجهاز: عددة من 8 إلى 12 ساعة حتى يبرد تمامًا.</li> <li>انقل الوحدة إلى مكان أكثر ظلاً أو قم بتفئة الغرفة العادية.</li> </ul>	<ul style="list-style-type: none"> <li>الأبواب ليست مغلقة.</li> <li>يتم فتح الأبواب بشكل متكرر.</li> <li>درجة الحرارة المحيطة مرتفعة جدًا.</li> <li>تم إيقاف تشغيل الجهاز (دون كهرباء) لبعض الوقت.</li> <li>درجة الحرارة المحيطة منخفضة للغاية.</li> </ul>	<p>الموتور يعمل بشكل متواصل.</p>
<ul style="list-style-type: none"> <li>تأكد من إحكام غلق الباب والحشية بشكل صحيح.</li> <li>تجنب ترك الباب مفتوحاً عند عدم الحاجة إليه. لتوقف المسافرة عندما يتم إغلاق الباب.</li> </ul>	<ul style="list-style-type: none"> <li>باب الفرزير غير مغلق.</li> <li>يتم تنشيط إنداز باب التلاجة (مسافرة صوتية) عند ترك الباب مفتوحاً لأكثر من 3 دقائق.</li> </ul>	<p>تم إزالة الطعام المجمد.</p>
<ul style="list-style-type: none"> <li>لا يلاحظ الأثر أي إجراء.</li> <li>اضبط الأقدام لسواء الجهاز.</li> <li>أزل الأشياء حول الجهاز.</li> <li>قم بإلغاء تنشيط الوضع التجريبي.</li> <li>قم بإلغاء تنشيط الوضع التجريبي.</li> </ul>	<ul style="list-style-type: none"> <li>لا أعطال. المحرك قيد التشغيل، على سبيل المثال: وحدة التبريد، المروحة، تتدفق مادة التبريد إلى الأنابيب. يتم تشغيل أو إيقاف تشغيل الموتور والمفاتيح وصمامات الملف اللولبي.</li> <li>الجهاز غير موضوع على أرض مستوية.</li> <li>الجهاز يلمس بعض الأشياء حوله.</li> </ul>	<p>يُصدر الجهاز أصواتًا مثل الغرغرة، والأزيز، والنقر، والمسدير.</p>
<ul style="list-style-type: none"> <li>مهم دائمًا: تجنب الأخطاء جينًا.</li> <li>إغلاق الباب/الدرج.</li> <li>لا يتم فتح الباب/الدرج بشكل متكرر.</li> <li>قم بتنظيف حمية الباب/الدرج أو استبدلها بأخرى جديدة.</li> <li>أعد وضع الأرفف أو أرفف الأبواب/الدرج أو الأوعية الداخلية للسماح بإغلاق الباب/الدرج.</li> </ul>	<ul style="list-style-type: none"> <li>لم تتم تعبئة الأطعمة بشكل مناسب.</li> <li>لم يُغلق باب/الدرج بالجهاز بإحكام.</li> <li>فُتح الباب/الدرج بشكل متكرر أو لمدة أطول من اللازم.</li> <li>حشية الباب/الدرج مسنخة أو بها شقوق أو ليست في موضعها السليم.</li> <li>يوجد شيء في الداخل يمنع إغلاق الباب/الدرج بشكل صحيح.</li> </ul>	<p>الجهاز لا يبرد، مؤشرات درجة الحرارة والإضاءة قيد التشغيل.</p>
<ul style="list-style-type: none"> <li>أعد وضع الأرفف أو أرفف الأبواب/الدرج أو الأوعية الداخلية للسماح بإغلاق الباب/الدرج.</li> </ul>	<ul style="list-style-type: none"> <li>هذا أمر طبيعي.</li> </ul>	<p>يوجد الكثير من الثلج والمليد في حجرة الفرزير.</p>
		<p>جوانب الجهاز دافئة.</p>

# Özet

---

ÜRÜN AÇIKLAMASI .....	2
KULLANIM.....	3
Kullanım.....	3
Ekran Beklemede.....	4
Mod(Mode).....	4
Buzdolabı sıcaklık ayarı.....	4
Dondurucu sıcaklık ayarı .....	4
Özelleştirilmiş sıcaklık .....	5
Super Cool işlevi .....	5
Super Freeze işlevi.....	6
Eco modu.....	6
Holiday işlevi .....	7
Buzçözme.....	7
Demomodu.....	7
Hata Kodları.....	7
Uygulama içi eşleştirme prosedürü.....	8
WI-FI KULLANIMI .....	9
SORUN GİDERME .....	10

## ÜRÜN AÇIKLAMASI



1. Kumanda Paneli
2. Şarap Rafı
3. Raflar
4. Sebze bölümü
5. Dondurucu Kutuları
6. Kapı rafı

\* En fazla enerji tasarrufu sağlayan yapılandırma, çekmeceler, gıda kutusu ve raflarının ürün içerisinde konumlandırılmasını ve fanın kapalı olmasını gerektirir, lütfen yukarıdaki resimleri inceleyin.

\*\* Yukarıdaki resimler sadece referans içindir. Gerçek yapılandırma, fiziksel ürüne veya distribütörün beyanına bağlı olacaktır.

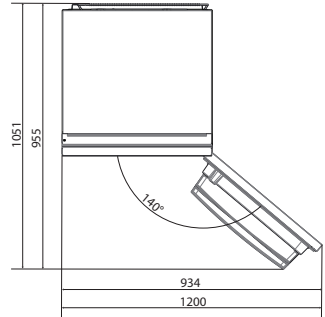
### Alan gereksinimleri

Ünitenin kapısı şekilde gösterildiği gibi tamamen açılmalıdır. Kapıların ve çekmecelerin rahatlıkla açılması için yeterli alan bırakın.

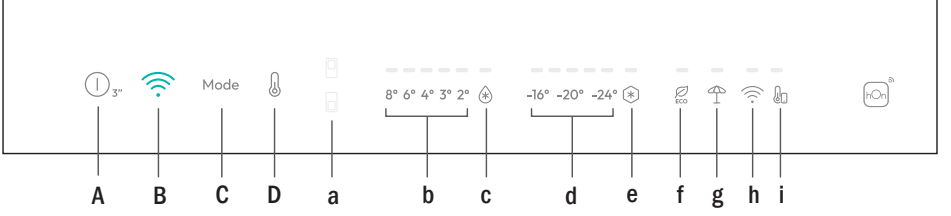
Ürünün yan duvarları ile bitişik parçalar arasında en az 50 mm mesafe bırakın.

540 mm Kabin: Genişlik: 934 mm  
Derinlik: 955 mm

700 mm Kabin: Genişlik: 1200 mm  
Derinlik: 1051 mm



## KULLANIM



- A. AÇMA/KAPAMA tuşuna 3 saniye basın. Cihaz, uzun bir akustik geri bildirimle (1sn) açılır
- B. Cihazı bağlamak için kullanılan Wi-Fi anahtarı
- C. Buzdolabı, Dondurucu, Eko ve Tatil arasında seçim yapmak için kullanılan mod tuşu
- D. TEMP tuşu, sıcaklık seviyeleri arasında seçim yapmak için kullanılır (ayrıca Süper Soğutma ve Süper Dondurma)
- a. Buzdolabı/dondurucu alanı simgesi, cihazın hangi bölümünün seçildiğini gösterir
- b. Buzdolabı sıcaklık seviyeleri, seçilen sıcaklığın hangisi olduğunu gösterir
- c. Super Cool Simgesi, Super Cool işlevinin etkin olup olmadığını gösterir
- d. Dondurucu sıcaklık seviyeleri, dondurucuda hangi sıcaklığın seçili olduğunu gösterir
- e. Super Freeze Simgesi, Super Freeze işlevinin etkin olup olmadığını gösterir
- f. Eco modu simgesi, Eco modunun etkinleştirilip etkinleştirilmediğini gösterir
- g. Holiday işlevi simgesi, Holiday işlevinin etkinleştirilip etkinleştirilmediğini gösterir
- h. Wi-Fi simgesi, Wi-Fi'nin çalışıp çalışmadığını ve cihazın bağlı olup olmadığını gösterir
- i. Özelleştirilmiş sıcaklık simgesi, uygulama tarafından sıcaklık seçilip seçilmediğini gösterir

### Kullanım

- Cihazı fişe taktığınızda cihaz, uzun bir sesli geri bildirimle (1 saniye) açılır.
- Tüm LED'ler yanar (1 saniye), ardından Buzdolabı sıcaklık LED'i ve Dondurucu LED'i sabit olarak yanar.
- Sıcaklık, buzdolabında 4 °C'ye ve dondurucuda -18 °C'ye otomatik olarak ayarlanacaktır.  
NOT: Buzdolabının içinde gereken sıcaklığı sağlamak için cihaza yiyecek koymadan önce en az 2/3 saat bekleyin.
- Güç kaybı durumunda, ayarlanan son soğutma seviyesi geri yüklenecektir.
- Varsayılan ayarı geri yüklemek için, buzdolabının içindeki kapı anahtarını basılı tutun ve aynı anda 5 saniye boyunca AÇMA/KAPAMA tuşuna basın.
- Normal çalışma koşullarında (ilkbahar ve sonbaharda), sıcaklığın 4 °C'ye ayarlanması tavsiye edilir. Yaz aylarında, ortam sıcaklığı yüksek olduğunda, buzdolabı ve dondurucu sıcaklıklarını garanti etmek ve buzdolabının sürekli çalışma süresini azaltmak için sıcaklığın 6~8 °C'ye ayarlanması önerilir; kışın, ortam sıcaklığının düşük olduğu zamanlardaysa, buzdolabının sık sık çalışmasını/durmasını önlemek için sıcaklığın 3~4 °C'ye ayarlanması önerilir.

## Ekran bekleme modu yönetimi

- Kapı kapalıysa -> ekran beklemededir (tüm LED'ler kapalı)
- Kapı açıkta -> mevcut buzdolabı sıcaklık LED'i ve dondurucu sıcaklık LED'i yanar (sabit). Daha önceden seçilmişse
- ECO modu LED'i + Holiday modu LED'i yanar (sabit).
- Ekran girişleri almaya hazırdır (dokunarak etkinleştirilmesi gerekmez).

## Modlar

Mod düğmesi, farklı modlar arasında geçiş yapmak için kullanılır.

İlgili LED yanar ve seçim anında onaylanır (yanıp sönme olmaz).

Kısa sesli geri bildirim ile seçim onaylanır.

## Buzdolabı sıcaklık ayarı

Gösterge paneli açıkken, MODE düğmesine basarak "buzdolabı sıcaklık ayarını" seçin.

Buzdolabı alanı LED'i yanar. İstenen sıcaklık ayarlanana kadar "TEMP" düğmesine basın.

Sıcaklık değeri şu şekilde değiştirilir: 8°C -> 6°C -> 4°C -> 3°C -> 2°C -> süper soğutma -> 8°C...

İlgili LED yanar ve seçim anında onaylanır (yanıp sönme olmaz).

Kısa sesli geri bildirim ile seçim onaylanır.

## Dondurucu sıcaklık ayarı

Gösterge paneli açıkken, MODE düğmesine basarak "dondurucu sıcaklık ayarını" seçin.

Dondurucu alanı LED'i yanar. İstenen sıcaklık ayarlanana kadar "TEMP" düğmesine basın.

Sıcaklık değeri şu şekilde değişir: -16°C -> -18°C -> -20°C -> -22°C -> -24°C -> Süper dondurma -> -16°C...

İlgili LED yanar ve seçim anında onaylanır (yanıp sönme olmaz).

Kısa sesli geri bildirim ile seçim onaylanır.

## Dikkate alınması gerekenler:

- Kullanıcı MODE düğmesine bastığında, buzdolabından dondurucu alanlarına geçiş ve bunun tersi anında gerçekleşir ve seçim hemen aktif hale gelir
- Sıcaklık LED'leri yanıp sönmüyor

## Özelleştirilmiş sıcaklık

Uygulamadan hem buzdolabı hem de dondurucu için sıcaklığı özelleştirmek mümkündür. Sıcaklık 1 °C hassasiyetle ayarlanabilir. Buzdolabında 2 °C ile 8 °C arasında ve dondurucuda

-16 °C ile -24 °C arasında bir sıcaklık seçmek mümkündür.

Sıcaklık uygulama tarafından seçildiğinde, etkilenen bölmenin tüm sıcaklık LED ışıkları söner ve özelleştirilmiş sıcaklık simgesi yanar (başka deyişle, Uygulamadan buzdolabı sıcaklığı seçilirse, -2 °C ile -8 °C arasındaki LED'ler söner. Uygulamadan dondurucu sıcaklığı seçilirse,

-16 °C ile -24 °C arasındaki LED'ler söner).

Yalnızca tek bir alanda (dondurucu veya buzdolabı) özelleştirilmiş sıcaklık varsa, diğer alanın sıcaklık seçimi değişmez ve ilgili alanın seçilen sıcaklığının LED ışığı açık kalır. Sıcaklık her değiştiğinde sesli bir sinyal verilir.

## Super Cool işlevi

Çok miktarda yiyecek saklanacaksa (örneğin satın alımdan hemen sonra) Super Cool işlevinin açılması önerilir. Super-Cool işlevi, taze yiyeceklerin soğumasını hızlandırır ve halihazırda depolanmış olan ürünleri istenmeyen şekilde ısınmaya karşı korur. İşlev etkinleştirildiğinde, buzdolabının sıcaklığı otomatik olarak 2 °C'ye ayarlanır.

Super Cool işlevinin kullanılması:

- Buzdolabı bölmesini seçmek için TEMP tuşuna uzun basılarak ve ardından Super Cool simgesi yanana kadar TEMP tuşuna hızlıca basılarak işlev etkinleştirilebilir veya bu işlev, uygulamadan açılabilir. İşlev etkinleştirildiğinde, Super Cool LED'i her zaman AÇIK olacaktır.
- Super Cool işlevinden çıkmak için TEMP tuşuna basın veya işlevi uygulamadan kapatın.
- Super Cool işlevi, işlev 12 saatten fazla sürdüğünde otomatik olarak sonlandırılır.
- Super Cool sona erdiğinde, kontrol panelinin simgesi söner ve önceden ayarlanmış soğutma seviyesi geri yüklenir.

**Not:** Super Cool ve Super Freeze işlevi aynı anda etkinleştirilemez.

## Super Freeze işlevi

Super Freeze işlevi, taze yiyeceklerin dondurulmasını hızlandırır ve halihazırda depolanmış olan ürünleri istenmeyen şekilde ısınmaya karşı korur. Çok miktarda yiyeceğin dondurulması gerekiyorsa, Super-Freeze işlevinin kullanımdan 24 saat önce ayarlanması önerilir. İşlev etkinleştirildiğinde, sıcaklık otomatik olarak -22 °C'ye ayarlanır. Super Freeze işlevi nasıl kullanılır:

- Dondurucu bölmesini seçmek için TEMP tuşuna uzun basılarak ve ardından Super Freeze simgesi yanana kadar TEMP tuşuna hızlıca basılarak işlev başlatılabilir veya bu işlev, uygulamadan açılabilir. İşlev etkinleştirildiğinde, Super Freeze LED'i her zaman AÇIK olacaktır.
- Super Freeze işlevinden çıkmak için TEMP tuşuna basın veya işlevi uygulamadan kapatın.
- Super Freeze işlevi, işlev 50 saatten fazla sürdüğünde otomatik olarak sonlandırılır.
- Super Freeze sona erdiğinde, kontrol panelinin simgesi söner ve önceden ayarlanmış dondurma seviyesi geri yüklenir.

**Not:** Super Cool ve Super Freeze işlevi aynı anda etkinleştirilemez.

## Eco modu

Eco modu, en iyi yiyecek depolamasını sağlarken cihazın performansını optimize etmek için etkinleştirilebilir. Eco modu, sıcaklığı buzdolabında 4 °C'ye ve dondurucuda -18 °C'ye otomatik olarak ayarlar.

Eco modunun kullanılması:

- İşlev, Eco modu simgesi yanana kadar (sesli bir sinyal seçimi onaylar) "mode" tuşuna basılarak veya uygulamadan işlev seçilerek kumanda panelinden etkinleştirilebilir. İşlev etkinleştirildiğinde, Eco modu simgesi her zaman AÇIK olacaktır.
- Eco modundan çıkmak için uygulamadan modu kapatın veya kumanda panelinden başka bir işlev seçin.
- Eco Modu sona erdiğinde, kumanda panelinin simgesi kapanır ve önceden ayarlanmış soğutma seviyeleri geri yüklenir.



## Holiday işlevi

Holiday işlevi, düzenli olarak kullanılmadığında cihazın enerji tüketimini azaltmak için kullanılabilir. İşlev açıkken, LED ışıkları sönecek (kapı açık olsa bile) ve buzdolabı düşük güç tüketimi modunda çalışırken, dondurucu normal şekilde çalışmaya devam edecektir. Holiday işlevinin kullanılması:

- İşlev, Holiday simgesi yanana kadar (sesli bir sinyal seçimi onaylar) "mode" tuşuna basılarak veya uygulamadan işlev seçilerek kumanda panelinden etkinleştirilebilir. İşlev etkinleştirildiğinde, Holiday simgesi her zaman AÇIK olacaktır.
- Holiday işlevinden çıkmak için uygulamadan işlevi kapatın veya kumanda panelinden başka bir işlev seçin.
- Holiday işlevi sona erdiğinde, kumanda panelinin simgesi kapanır ve önceden ayarlanmış soğutma seviyeleri geri yüklenir.

## Buz çözme

Dondurucu bölmede bulunan buz tabakası 3 mm'yi geçtiğinde, enerji tüketimini artırdığı için buz çözme işlemine devam edin.

- Cihazı kapatın ve güç kablosunu çıkarın.
- Dondurulmuş gıdaları çıkarın ve geçici olarak serin bir yere koyun.
- Dondurucu kapısını açık bırakın ve ürünün altındaki suyu toplayın.
- Buz çözme tamamlandığında, içini iyice kurulayın.
- Güç kablosunu yeniden bağlayın ve istenen değerleri ayarlayın.
- Biraz bekleyin ve donmuş gıdaları tekrar koyun.

## Demo modu

Demo moduna girmek için ekran kilidi açıkken Wi-Fi tuşuna (B) basılı tutun ve 5 saniye içinde MODE tuşuna (C) 5 kez basın. Demo modundan çıkmak için aynı işlemi yapın veya buzdolabını kapatın.

## Hata Kodları

### İletişim hatası

8 °C – 6 °C – 4 °C – 3 °C – 2 °C LED ışıkları sırayla yanar, bu bir arıza olduğu anlamına gelir.

ana kontrol kartı ile ekran kartı arasındaki iletişim hatası. Lütfen iletişime geçiniz sorunun çözülmesine yardımcı olacak teknik yardım

## WI-FI KULLANIMI

### Uygulama ii eŐleŐtirme prosedürü

#### Adım 1

- Mağazalardan hOn uygulamasını indirin



#### Adım 2

- hOn Uygulamasında hesabınızı oluŐturun veya zaten bir hesabınız varsa giriŐ yapın



#### Adım 3

- hOn Uygulamasındaki eŐleŐtirme talimatlarını izleyin

## Wi-Fi

Ekran paneli açıkken, Wi-Fi düğmesine kısa bir basış ile senkronizasyon başlatılır ve Wi-Fi LED'i yanıp sönmeye başlar. Bağlantıyı tamamlamak için Uygulamadaki talimatları izleyin.

Uzun (1 saniye) sesli geri bildirim bağlantının kurulduğunu onaylar ve LED sabit olarak yanar.

Wi-Fi henüz yapılandırılmamışsa, buzdolabı açıldığında otomatik olarak yapılandırma moduna girecek ve bu durumu 30 dakika boyunca koruyacaktır. Yapılandırma modunu kullanmak için:

- Wi-Fi tuşuna 2 saniye basın, buzdolabı Wi-Fi yapılandırma moduna girer ve sesli bir sinyal verilir. Wi-Fi simgesi yanıp sönmeye başlar.
- Wi-Fi'yi yapılandırmak için uygulamada verilen talimatları izleyin (yukarıya bakın).
- Wi-Fi yapılandırıldığında ve bağlantı kurulduğunda, Wi-Fi simgesi açılır ve sabit olarak yanar.
- Herhangi bir işlem yapılmadan 30 dakika geçtikten sonra Wi-Fi otomatik olarak yapılandırma modundan çıkacaktır.
- Wi-Fi zaten yapılandırılmışsa, yapılandırma bilgilerine göre otomatik olarak yeniden bağlanacaktır.

Wi-Fi'yi sıfırlamak için Wi-Fi tuşuna ve Mode tuşuna 2 saniye süreyle uzun basın, Wi-Fi sıfırlanır ve sesli bir sinyal verilir. Bundan sonra Wi-Fi otomatik olarak yapılandırma durumuna geçer (Wi-Fi simgesi tekrar yanıp sönmeye başlar).

Wi-Fi'yi kapatmak için Wi-Fi tuşuna 3 saniye basın.

### Telsiz modülü - Teknik veriler

Frekans oranı (OFR)	2400 MHz-2843,5 MHz
Kanal frekansları	2412...2472 MHz (kademe büyüklüğü 5 MHz)
Maksimum güç (EIRP)	100 mW

Telsiz ekipmanı tipi 2014/53/EU Direktifi ile uyumludur.

## SORUN GİDERME

İçerideki ampul yanmıyor.	• Elektrik yok.	• Güç kablosu düzgün şekilde takılmamış. • Cihazın kapalı olup olmadığını kontrol edin (bkz. Sıcaklık Ayarı). • Elektrik prizinin düzgün çalışıp çalışmadığını kontrol edin (örn. başka bir elektrikli cihazla).
	• Holiday Modu etkinleştirildi.	• Holiday modunu devre dışı bırakın.
Buzdolabının ve/veya dondurucunun iç sıcaklığı yeterince soğuk değil.	• Kapılar kapalı değil.	• Kapının ve contaların düzgün kapanıp kapanmadığını kontrol edin.
	• Kapılar sık sık açılıyor.	• Bir süre gereksiz yere kapıları açmaktan kaçının.
	• Yanlış sıcaklık ayarı.	• Sıcaklık ayarını kontrol edin ve mümkünse daha düşük bir sıcaklık ayarlayın (bkz. Sıcaklık Ayarı).
	• Buzdolabı ve/veya dondurucu aşırı dolu.	• Buzdolabının/dondurucunun sıcaklığının dengelemesini bekleyin. • Buzdolabını ve dondurucuyu aşırı doldurmaktan kaçının.
	• Çevre sıcaklığı çok düşük.	• Üniteyi daha sıcak bir yere taşıyın veya mevcut odayı ısıtın.
• Buzdolabına sıcak yiyecek/içecek konulmuş.	• Yiyecek/içecekleri saklamadan önce mutlaka bunların soğumasını bekleyin.	
Buzdolabındaki yiyecekler donuyor.	• Yanlış sıcaklık ayarı.	• Sıcaklık ayarını kontrol edin ve mümkünse sıcaklığı artırın.
	• Yiyeceklerin arka duvarla temas etmesi.	• Yiyecekleri buzdolabının arka duvarından uzak tutun.
Soğutucu bölmesinin tabanı ıslak veya su damlacıkları mevcut.	• Tahliye hortumu tıkanmış olabilir.	• Suyun tahliye olmasını sağlamak için tahliye hortumunu bir çubuk veya benzeri bir aletle temizleyin.
Buzdolabının arka duvarında su damlaları veya don oluşumu.	• Fonksiyona bağlı olarak, çalışma sırasında buzdolabının arka duvarında su damlaları veya buzlanma oluşur.	• Bu bir kusur değildir.
	• Buzdolabına sıcak yiyecek/içecek konulmuş.	• Yiyecek/içecekleri saklamadan önce mutlaka bunların soğumasını bekleyin.
	• Açık yiyecek kapları veya sıvılar var.	• Yiyecek ve sıvıların üzerine daima örtün.
	• Kapılar kapalı değil.	• Kapının ve contaların düzgün kapanıp kapanmadığını kontrol edin.
• Kapılar sık sık açılıyor.	• Bir süre gereksiz yere kapıları açmaktan kaçının.	
Sebzeye çekmesinde su mevcut.	• Hava sirkülasyonu yok.	• Cihazınızın çok dolu olmadığından emin olun.
	• Çok fazla nem içeren sebze ve meyveler.	• Meyve ve sebzeleri plastik malzemelerle sarın, örn. streç film, torba veya kaplar.
Motor sürekli çalışıyor.	• Kapılar kapalı değil.	• Kapıların kapalı olduğundan emin olun ve contaların düzgün kapandığını kontrol edin.
	• Kapılar sık sık açılıyor.	• Bir süre gereksiz yere kapıları açmaktan kaçının.
	• Ortam sıcaklığı çok yüksek.	• Ortam sıcaklığının cihaz etiketindeki teknik özelliklerde belirtilen aralıkta olduğunu doğrulayın. • Görüntüleme ekranını/termostatını daha yüksek bir sıcaklığa ayarlayın.
	• Cihaz bir süredir kapalı (güç yok).	• Cihazın tamamen soğuması normalde 8-12 saat sürer.
Dondurulmuş yiyecekler çözülüyor.	• Çevre sıcaklığı çok düşük.	• Üniteyi daha sıcak bir yere taşıyın veya mevcut odayı ısıtın.
	• Dondurucu kapısı kapalı değil.	• Kapının kapalı olduğundan ve contanın düzgün şekilde sızdırmaz olduğundan emin olun.
Buzdolabı kapısı alarmı.	• Buzdolabı kapısı alarmı (akustik bip sesi), kapı 3 dakikadan uzun süre açık bırakıldığında etkinleşir.	• Gerekmedğinde kapıyı açık bırakmaktan kaçının. Kapı kapatıldığında bip sesi kesilir.
Cihazdan gürültü, uğultu, tıklama, gıcırdaama gibi sesler çıkıyor.	• Arıza yok. Bir motor çalışıyor, örn. soğutma ünitesi, fan. Soğutucu akışkan borulara akıyor. Motor, anahtarlar ve solenoid valfler açık veya kapalı.	• Hiçbir eyleme gerek yok.
	• Cihaz düz bir zemine yerleştirilmemiştir.	• Cihazı düzeltmek için ayakları ayarlayın.
	• Cihaz etrafındaki bir nesneye dokunuyor.	• Cihazın etrafındaki nesnelere kaldırın.
Cihaz soğutmuyor, sıcaklık ve aydınlatma göstergeleri yanıyor.	• Demo modu etkinleştirilmiş.	• DEMO modunu devre dışı bırakın.
Dondurucu bölümünde kuvvetli buz ve buzlanma.	• Yiyecekler/içecekler düzgün bir şekilde paketlenmemiş.	• Yiyecekleri/içecekleri her zaman iyi bir şekilde paketlenin.
	• Cihazın bir kapısı/çekmecesini sıkıca kapatılmamış.	• Kapıyı/içkemeyi kapatın.
	• Kapı/çekmece çok sık veya çok uzun süre açık kalmış.	• Kapıyı/içkemeyi çok sık açmayın.
	• Kapı/çekmece contası kirli, aşınmış, çatlamış veya uyumsuz.	• Kapı/çekmece contasını temizleyin veya yenisiyle değiştirin.
• İçerideki bir şey kapının/çekmecenin düzgün bir şekilde kapanmasını engelliyor.	• Kapının/çekmecenin kapanmasına izin vermek için rafını, kapı raflarını veya dahili kapıları yeniden konumlandırın.	
Cihazın yanları sıcak.	• Bu normaldir.	