

# CANDY

## **DOMINO COOKING HOBS**

*INSTALLATION ADVICES - INSTRUCTIONS FOR THE USE*

**GB**

## **VARNÉ DESKY DOMINO**

*POKYNY PRO INSTALACI - NÁVOD K POUŽITÍ*

**CS**

## **PLACAS DE COCCIÓN DOMINO**

*CONSEJOS DE INSTALACIÓN - INSTRUCCIONES DE USO*

**ES**

## **DOMINO PLOČE ZA KUHANJE**

*SAVJETI ZA UGRADNJU - UPUTE ZA UPOTREBU*

**HR**

## **PLACAS DOMINO**

*CONSELHOS DE INSTALAÇÃO - INSTRUÇÕES DE UTILIZAÇÃO*

**PT**

## **PLITE DOMINO**

*RECOMANDĂRI DE INSTALARE - INSTRUCȚIUNI DE UTILIZARE*

**RO**

## **VARNÉ DOSKY DOMINO**

*RADY NA INŠTALÁCIU - POKYNY NA POUŽÍVANIE*

**SK**

## **KUHALNE PLOŠČE DOMINO**

*NASVETI ZA NAMESTITEV – NAVODILA ZA UPORABO*

**SL**

## **PIANI COTTURA DOMINO**

*CONSIGLI PER L'INSTALLAZIONE - ISTRUZIONI PER L'USO*

**IT**

• CHW23X

## Dear Customer,

*Thank you for having purchased and given your preference to our product.*

*The safety precautions and recommendations reported below are for your own safety and that of others. They will also provide a means by which to make full use of the features offered by your appliance.*

*Please preserve this booklet carefully. It may be useful in future, either to yourself or to others in the event that doubts should arise relating to its operation.*

***This appliance must be used only for the task it has explicitly been designed for, that is for cooking foodstuffs. Any other form of usage is to be considered as inappropriate and therefore dangerous.***

***The manufacturer declines all responsibility in the event of damage caused by improper, incorrect or illogical use of the appliance.***

## DECLARATION OF CE CONFORMITY

- This appliance has been designed to be used only for cooking. Any other use (such as heating a room) is improper and dangerous.
- This appliance has been designed, constructed, and marketed in compliance with:
  - Safety requirements of the “Gas” Regulation (EU) 2016/426;
  - Safety requirements of the “Low voltage” Directive 2014/35/EU;
  - Safety requirements of the “EMC” Directive 2014/30/EU;
  - Requirements of EU Directive 93/68/EEC;
  - Requirements of EU Directive 2011/65/EU.



## IMPORTANT SAFETY PRECAUTIONS AND RECOMMENDATIONS

**IMPORTANT:** This appliance is designed and manufactured solely for the cooking of domestic (household) food and is not suitable for any non domestic application and therefore should not be used in a commercial environment.

The appliance guarantee will be void if the appliance is used within a non domestic environment i.e. a semi commercial, commercial or communal environment.

**Read the instructions carefully before installing and using the appliance.**

- This appliance has been designed and manufactured in compliance with the applicable standards for the household cooking products and it fulfills all the safety requirements shown in this manual, including those for surface temperatures. Some people with sensitive skin may have a more pronounced temperature perception with some components although these parts are within the limits allowed by the norms. The complete safety of the appliance also depends on the correct use, we therefore recommend to always pay a extreme attention while using the product, especially in the presence of children.
- After having unpacked the appliance, check to ensure that it is not damaged. In case of doubt, do not use it and consult your supplier or a professionally qualified technician.
- Packing elements (i.e. plastic bags, polystyrene foam, nails, packing straps, etc.) should not be left around within easy reach of children, as these may cause serious injuries.
- Some appliances are supplied with a protective film on steel and aluminium parts. **This film must be removed before using the appliance.**
- **IMPORTANT:** The use of suitable protective clothing/gloves is recommended when handling or cleaning this appliance.

- Do not attempt to modify the technical characteristics of the appliance as this may become dangerous to use. The manufacturer declines all responsibility for any inconvenience resulting from the inobservance of this condition.
- CAUTION: this appliance must only be installed in a permanently ventilated room in compliance with the applicable regulations.
- Do not operate your appliance by means of an external timer or separate remote-control system.
- Do not carry out cleaning or maintenance operations on the appliance without having previously disconnected it from the electric power supply.
- Do not use a steam cleaner because the moisture can get into the appliance therefore making it unsafe.
- Do not cover the hob with aluminium foils.
- Do not touch the appliance with wet or damp hands (or feet).
- Do not use the appliance whilst in bare feet.
- If you should decide not to use this appliance any longer (or decide to substitute another model), before disposing of it, it is recommended that it be made inoperative in an appropriate manner in accordance to health and environmental protection regulations, ensuring in particular that all potentially hazardous parts be made harmless, especially in relation to children who could play with unused appliances.
- The various components of the appliance are recyclable. Dispose of them in accordance with the regulations in force in your country. If the appliance is to be scrapped, remove the power cord.
- After use, ensure that the knobs/controls are in the off position.
- Children less than 8 years of age shall be kept away unless continuously supervised.
- This appliance can be used by children aged from 8 years and above and persons with reduced physical, sensory or mental capabilities or lack of experience and knowledge if they have been given supervision or instruction concerning use of the appliance in a safe way and understand the hazards involved. Children shall not play with the appliance. Cleaning and user maintenance shall not be made by children without supervision.

- The manufacturer declines all liability for injury to persons or damage to property caused by incorrect or improper use of the appliance.
- **WARNING:** During use the appliance and its accessible parts become hot; they remain hot for some time after use.
  - Care should be taken to avoid touching heating elements on the hob.
  - To avoid burns and scalds, young children should be kept away.
- Make sure that electrical cables connecting other appliances in the proximity of the cooktop cannot come into contact with the hob.
- **WARNING:** Unattended cooking on a hob with fat or oil can be dangerous and may result in fire. **NEVER** try to extinguish a fire with water, but switch off the appliance and then cover flame e.g. with a lid or a fire blanket.
- **WARNING:** Danger of fire: do not store items on the cooking surfaces.
- **WARNING:** When correctly installed, your product meets all safety requirements laid down for this type of product category. However special care should be taken around the underneath of the appliance as this area is not designed or intended to be touched and may contain sharp or rough edges, that may cause injury.
- **CAUTION:** The cooking process has to be supervised. A short term cooking process has to be supervised continuously.
- If the power supply cable is damaged, it must be replaced only by an authorized service agent in order to avoid a hazard.
- If the appliance is not fitted with a supply cord and a plug, or with other means for disconnection from the supply mains having a contact separation in all poles that provide full disconnection under overvoltage category III conditions, means for disconnection must be incorporated in the fixed wiring in accordance with the wiring rules.

- **WARNING:** The appliance and its accessible parts become hot during use.  
Care should be taken to avoid touching heating elements.  
Children less than 8 years of age shall be kept away unless continuously supervised.
- **WARNING:** Use only hob guards designed by the manufacturer of the cooking appliance or indicated by the manufacturer of the appliance in the instructions for use as suitable or hob guards incorporated in the appliance. The use of inappropriate guards can cause accidents.

## **ENERGY LABELLING/ECODESIGN**

- Commission regulation (EU) No 66/2014 (implementing Directive 2009/125/EC of the European Parliament and of the Council).

Reference to the measurement and calculation methods used to establish compliance with the above requirements:

- Standard EN30-2-1 (hobs: gas fired burners).

## **USE OF THE APPLIANCE, ENERGY SAVING TIPS**

### **HOB**

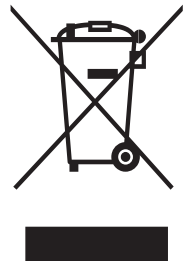
#### **GAS FIRED BURNERS**

- It is important that the diameter of the pot be suitable to the potentiality of the burner so as not to compromise the high output of the burners and therefore energy waste. A small pot on a large burner does not give you a boiling point in a shorten amount of time since the capacity of heat absorption of a liquid mass depends on the volume and the surface of the pot.
- Avoid keeping a burner on without something on it (without pot).

## **IMPORTANT INFORMATION FOR CORRECT DISPOSAL OF THE PRODUCT IN ACCORDANCE WITH EC DIRECTIVE 2012/19/UE.**

At the end of its working life, the product must not be disposed of as urban waste. It must be taken to a special local authority differentiated waste collection centre or to a dealer providing this service.

Disposing of a household appliance separately avoids possible negative consequences for the environment and health deriving from inappropriate disposal and enables the constituent materials to be recovered to obtain significant savings in energy and resources. As a reminder of the need to dispose of household appliances separately, the product is marked with a crossed-out wheeled dustbin.



# Advice for the installer

## IMPORTANT :

- The appliance is designed and approved for domestic use only and should not be installed in a commercial, semi commercial or communal environment.  
**Your product will not be guaranteed if installed in any of the above environments and could affect any third party or public liability insurances you may have.**
- This appliance is to be installed, regulated and adapted to function only by an authorized person in compliance with the current local regulations in force and in observation of the instructions supplied by the manufacturer.  
Failure to comply with this condition will render the guarantee invalid.
- The appliance must be installed in compliance with regulations in force in your country and in observation of the manufacturer's instructions.
- Installation technicians must comply to current laws in force concerning ventilation and the evacuation of exhaust gases.
- Incorrect installation, for which the manufacturer accepts no responsibility, may cause personal injury or damage.
- This appliance shall only be serviced by authorized personnel.
- Always disconnect the appliance from mains power supply before carrying out any maintenance operations or repairs.
- **Important: The use of suitable protective clothing/gloves is recommended when handling or cleaning of this appliance.**
- **These tops are designed to be embedded into kitchen fixtures measuring 600 mm in depth, working surface 30 to 40 mm thick.**
- **The appliance must be housed in heat-resistant units.**
- **The walls of the units must not be higher than work top and must be capable of resisting temperatures of 105°C above room temperature.**
- **We would point out that the adhesive which bonds the plastic laminate to the furniture must withstand temperatures not less than 150°C to avoid delamination.**
- **Do not install the appliance near inflammable materials (eg. curtains).**

## WARNING!

When correctly installed, your product meets all safety requirements laid down for this type of product category. However special care should be taken around the underneath of the appliance as this area is not designed or intended to be touched and may contain sharp or rough edges, that may cause injury.

# 1 INSTALLATION

## TECHNICAL INFORMATION FOR THE INSTALLER

In order to install the cooker top into the kitchen fixture, a hole with the dimensions shown in fig. 1.1 has to be made, bearing in mind the following:

- A 30mm ventilation gap must be provided between the bottom of the appliance and any cabinetry, draw unit or appliance.
- If the base of the cooktop is accessible through a cupboard or drawer space after installation, a thermal protection barrier is not required.
- If the cooktop is installed above an oven, the two appliances shall be connected to the gas and/or electrical supply with independent connections.
- The cooker top must be kept no less than 100 mm away from any side wall (from side edge of cutout - fig. 1.1).
- The hob must be installed at least 50 mm from the wall (from rear edge of cutout - fig. 1.2).
- There must be a distance of at least 650 mm between the hob and any wall cupboard or extractor hood positioned immediately above (see fig. 1.1).

**Do not install the appliance near inflammable materials (eg. curtains).**

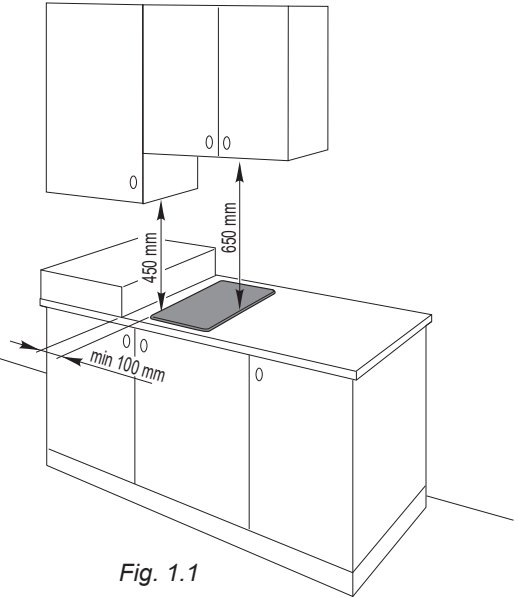


Fig. 1.1

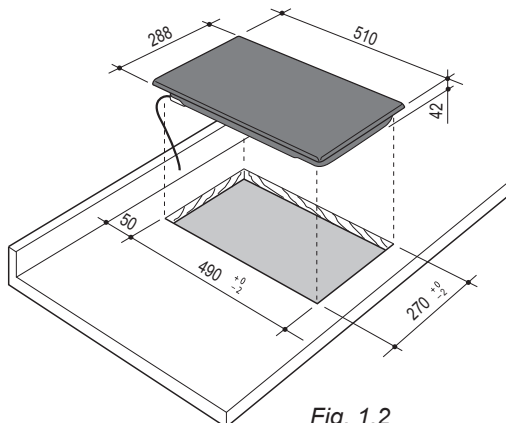


Fig. 1.2

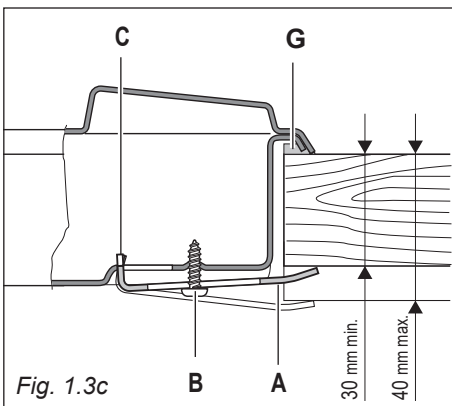
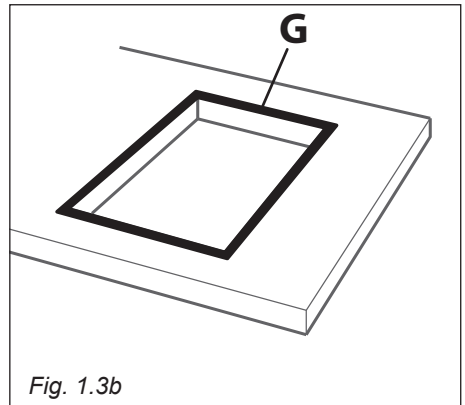
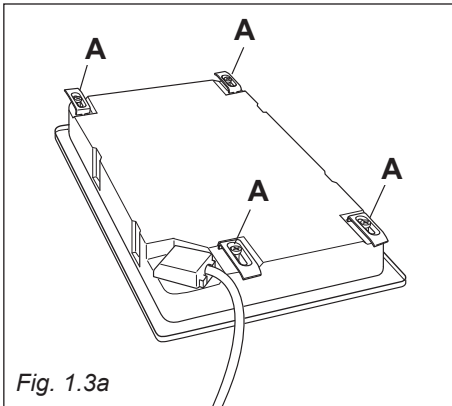


## FASTENING THE COOKTOP (figs. 1.3a, 1.3b, 1.3c)

Each cooktop is provided with an installation kit including brackets and screws for fastening the cooktop to benches from 30 to 40mm thick.

The kit includes 4 tabs "A" and 4 selfthreading screws "B".

- Cut the unit.
- Stretch gasket "G" over the edge of the hole made, being careful to overlay the junction edges (fig. 1.3b).
- Turn the cooktop over and put tabs "A" (fig. 1.3a) into the mountings, only tighten screws "B" a few turns. Make sure that the tabs are mounted correctly as shown in the figure 1.3c. Turn the tabs so that the cooktop can be put into the hole.
- Put the cooktop into the hole cut into the unit and position it correctly.
- Put tabs "A" into place, tooth "C" of the tabs should go into the hole.
- Tighten screws "B" until the cooktop is completely secured.
- Using a sharp tool cut off the part of gasket "G" which protrudes from the cooktop. Take care not to damage the benchtop.



## VENTILATION REQUIREMENTS

The appliance must be installed in compliance with applicable local regulations concerning ventilation and the evacuation of exhaust gases.

Intensive and prolonged use may require extra ventilation, e.g. opening a window, or more efficient ventilation increasing the mechanical suction power if this is fitted.

## CHOOSING SUITABLE SURROUNDINGS

The room where the gas appliance is to be installed must have a natural flow of air so that the gas can burn (in compliance with applicable local regulations).

The flow of air must come directly from one or more openings made in the outside walls with a free area of at least 100 cm<sup>2</sup> (or refer to applicable local regulations).

The openings should be near the floor and preferably on the side opposite the exhaust for combustion products and must be made so that they cannot be blocked from either the inside or the outside.

When these openings cannot be made, the necessary air can come from an adjacent room which is ventilated as required, as long as it is not a bed room or a danger area (in compliance with applicable local regulations).

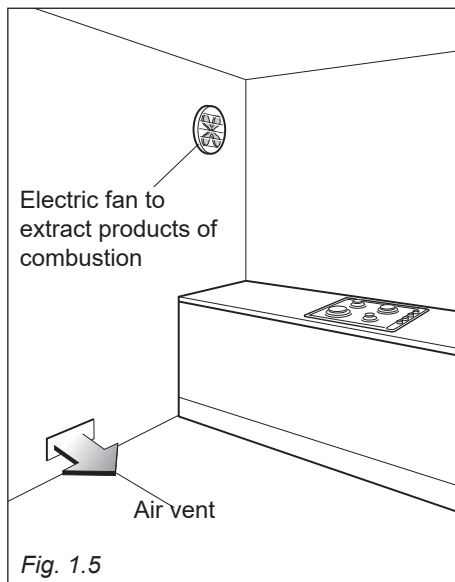
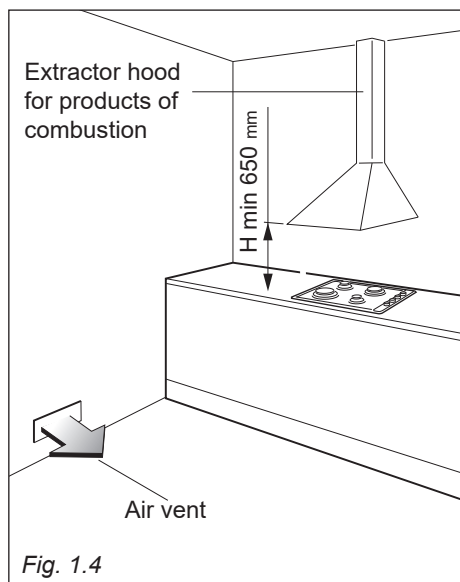
In this case, the kitchen door must allow the passage of the air.

## DISCHARGING PRODUCTS OF COMBUSTION

Extractor hoods connected directly to the outside must be provided, to allow the products of combustion of the gas appliance to be discharged (fig. 1.4).

If this is not possible, an electric fan may be used, attached to the external wall or the window; the fan should have a capacity to circulate air at an hourly rate of 3-5 times the total volume of the kitchen (fig. 1.5).

The fan can only be installed if the room has suitable vents to allow air to enter, as described under the heading "Choosing suitable surroundings".



## GAS INSTALLATION REQUIREMENTS

### Important !

- This appliance must be installed and serviced only by a suitably qualified, registered installer. The installer shall refer to the local standards in force.
- Failure to install the appliance correctly could invalidate any manufacturer's warranty.
- Before installation, make sure that the local distribution conditions (gas type and pressure) and the adjustment of this appliance are compatible. The appliance adjustment conditions are given on the plate or the label.
- If the gas pressure (for which the appliance is to be used) is variable or if it is not within the values indicated on the rating plate, it is mandatory to install a proper gas pressure regulator which must be adjusted to guarantee the correct operating pressure to the appliance (as per rating plate).  
The regulator must be installed, adjusted and tested by a qualified technician.
- **WARNING: Using the appliance with a wrong and/or variable gas pressure may be extremely dangerous and may result in serious injury to the user. Damage to the appliance could occur if not observing this condition.**  
The manufacturer declines every responsibility for any inconvenience resulting from the inobservance of this condition.

This appliance is supplied for use on Natural gas or LPG (check the gas regulation label attached on the appliance).

- Appliances supplied for use on Natural gas: they are adjusted for this gas only and cannot be used on any other gas (LPG) without modification. The appliances are manufactured for conversion to LPG.
- Appliances supplied for use on LPG: they are adjusted for this gas only and cannot be used on any other gas (Natural gas) without modification. The appliances are manufactured for conversion to Natural gas.

If the Natural gas/LPG conversion kit is not supplied with the appliance this kit can be purchased by contacting the After-Sales Service.

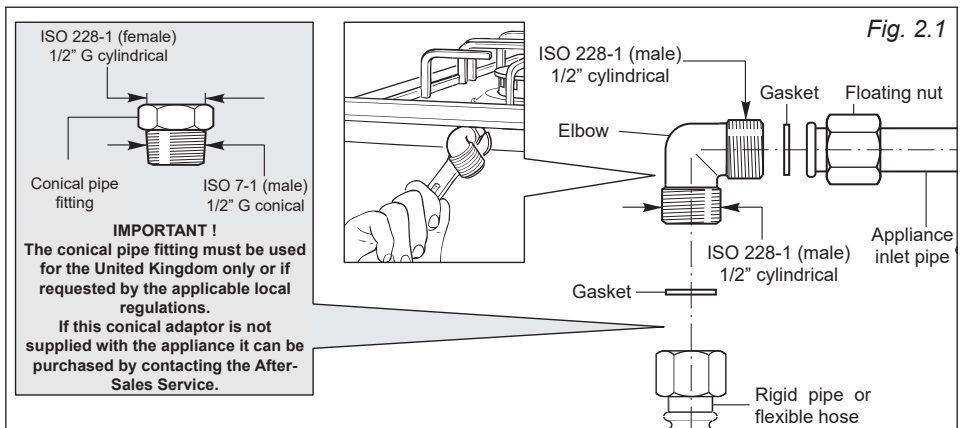
## CONNECTING THE COOKTOP TO THE GAS SUPPLY

The gas connection fitting (fig. 2.1) is made up of:

- the floating nut;
- the elbow;
- the gaskets;
- the conical pipe fitting - to be used for the United Kingdom only or if requested by the applicable local regulations. In this case, before connecting the appliance to the gas supply, fit the conical pipe fitting to the elbow interposing the gasket. If the conical pipe fitting is not supplied with the appliance it can be purchased by contacting the After-Sales Service.

**The gas connection must be carried out by an authorised person according to the relevant local standards.**

- If using a flexible hose, make sure it does not come into contact with moving parts.
- The rear of the chassis is recessed to provide a channel for the appliance inlet pipe.
- The gas connection fitting can be turned in the direction required (but never in a vertical or horizontal position) after loosening the elbow and floating nut connection.
- Never attempt to turn the elbow without having first loosened the floating nut.
- The supplied gaskets guarantee a good seal for the gas connection. We recommend that you replace the gaskets on the slightest sign of wear, deformation or imperfection.
- After connecting to the gas mains, check that the couplings are correctly sealed, using soapy solution, but never a naked flame.



## **ADDITIONAL GAS CONNECTION REQUIREMENTS**

When connecting the cooktop to the gas supply with rigid pipes or a flexible hose, make sure that:

- You use rigid pipes or a flexible hose compliant with applicable local regulations. The flexible hose shall be of the correct construction for the type of gas being used and of the correct size to maintain the heat output of the appliance.
- The connection with rigid metal pipes does not cause stress or pressure to the gas piping.
- The flexible hose is not under tension, twisted, kinked, or too tightly bent, neither while the cooktop is in use nor while it is being connected or disconnected.
- The flexible hose is not longer than 2000 mm (or refer to applicable local regulations) and does not come into contact with sharp edges, corners, or moving parts, as these may cause abrasion. Use a single flexible hose only; never connect the cooktop with more than one flexible hose.
- The flexible hose can easily be inspected along its entire length to check its condition; if it has an expiry date, it should be replaced before that date.
- If using a flexible hose which is not entirely made of metal, make sure that it does not come into contact with any part of the cooktop with a surface temperature of 70°C or above (or refer to applicable local regulations).
- The rigid pipe or flexible hose is replaced if it shows signs of damage.
- The flexible hose is not subject to excessive heat by direct exposure to flue products or by contact with hot surfaces.
- The socket into which the plug of the flexible hose fit is permanently attached to a firmly fixed gas installation pipe and is positioned so that the hose hangs freely downwards.
- The plug of the flexible hose is accessible after installation, so that it can be disconnected for service or removal.
- You inform the customer that the rigid pipe or flexible hose should not be subjected to corrosion by cleaning agents.

# GAS MAINTENANCE

For the gas category check the data label attached on the appliance

| TABLE FOR THE CHOICE OF THE INJECTORS                  |                    |                    |                                 |                              |
|--|--------------------|--------------------|---------------------------------|------------------------------|
| <b>Cat: II 2H 3+<br/>(Countries IT-ES-PT-GB-SI-CZ)</b> |                    |                    | <b>G30/G31</b><br>28-30/37 mbar | <b>G20</b><br>20 mbar        |
| <b>Cat: II 2E+3+<br/>(Countries FR)</b>                |                    |                    | <b>G30/G31</b><br>28-30/37 mbar | <b>G20/G25</b><br>20/25 mbar |
| <b>Cat: II 2H3B/P<br/>(Countries HR-RO-SI-CZ)</b>      |                    |                    | <b>G30/G31</b><br>30/30 mbar    | <b>G20</b><br>20 mbar        |
| BURNERS  | Nominal Power [kW] | Reduced Power [kW] | Ø injector [1/100 mm]           | Ø injector [1/100 mm]        |
| Semi-rapid (SR)  | 1,75               | 0,45               | 66                              | 101                          |
| Rapid (R)  | 3,00               | 0,75               | 87                              | 129                          |
| Double-ring (DR)                                       | 3,80               | 1,50               | 98                              | 141                          |

| AIR VENT NECESSARY FOR GAS COMBUSTION = (2 m <sup>3</sup> /h x kW) |  |
|--|--|
| BURNERS  | Air necessary for combustion [m <sup>3</sup> /h] |
| Semi-rapid (SR)  | 3,50   |
| Rapid (R)  | 6,00   |
| Double-ring (DR)   | 7,60   |

## LUBRICATION OF THE GAS TAPS

In case of difficulty in the gas taps operation, call Service.

## IMPORTANT

**All intervention regarding installation, maintenance and conversion of the appliance must be fulfilled with original factory parts.**

**The manufacturer declines any liability resulting from the non-compliance of this obligation.**

## REPLACEMENT OF THE INJECTORS

Select the injectors to be replaced according to the “Table for the choice of the injectors”.

The nozzle diameters, expressed in hundredths of a millimetre, are marked on the body of each injector.

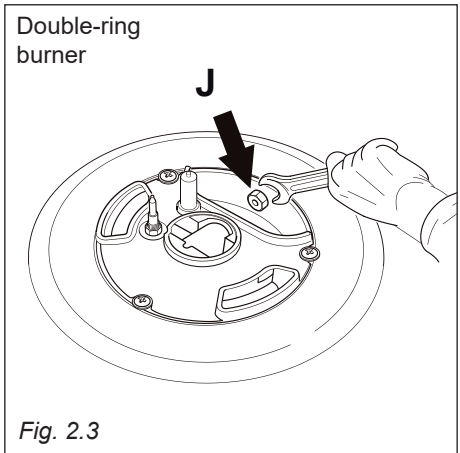
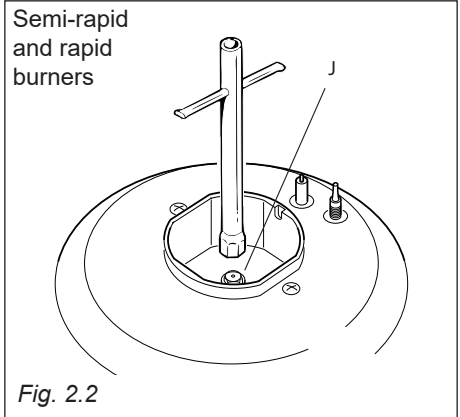
**If the injectors are not supplied they can be obtained from the “Service Centre”.**

## REPLACEMENT OF THE INJECTORS OF THE COOKTOP BURNERS

To replace the injectors proceed as follows:

- Remove pan supports and burners from the cooktop.
- Using a wrench, substitute the nozzle injectors “J” (figs. 2.2, 2.3) with those most suitable for the kind of gas for which it is to be used.

**The burners are conceived in such a way so as not to require the regulation of the primary air.**



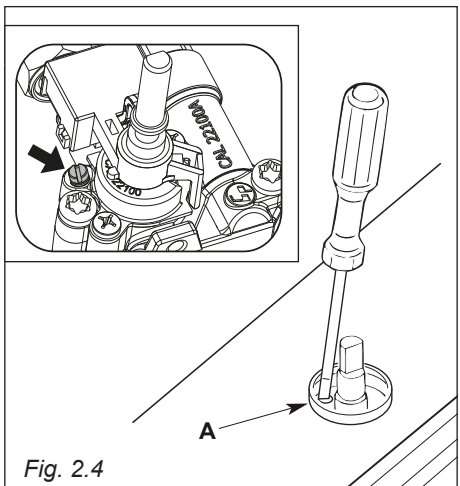
## ADJUSTING OF THE MINIMUM OF THE TOP BURNERS

In the minimum position the flame must have a length of about 4 mm and must remain lit even with a quick turn from the maximum position to that of minimum.

The flame adjustment is done in the following way:

- Turn on the burner.
- Turn the tap to the MINIMUM position.
- Take off the knob.
- With a small flat screwdriver turn the screw “A” to the correct regulation (figs. 2.4).

**Normally for G30/G31 (LPG), the regulation screw is tightened up.**



# 3 ELECTRICAL SECTION

**IMPORTANT: The appliance must be installed by a qualified technician according with the current local regulations and in compliance with the manufacturer instructions. Incorrect installation might cause harm and damage to people, animals or objects, for which the manufacturer accepts no responsibility.**

**Connection to a good earth wiring system is absolutely essential. The manufacturer accepts no responsibility for any inconvenience caused by failure to comply with this rule.**

**Before carrying out any work on the electrical section of the appliance, it must be disconnected from the mains.**

## GENERAL

- Connection to the electric power supply must be carried out by a qualified technician and following the appropriate safety regulations.
- The appliance must be connected to the mains checking that the voltage corresponds to the value given in the rating plate and that the electrical cable sections can withstand the load specified on the plate.
- If the hob is supplied without plug, fit a standard plug which is suitable for the power absorbed by the appliance and in conformity with the local rules in force.
- The colours of the wires in the appliance power cable may not correspond with the colours marked on the terminals of your electrical plug. The plug should always be wired as follows:
  - connect the green/yellow wire to the terminal marked with the letter “E” or the earth symbol “ $\perp$ ” or coloured green/yellow;

- connect the blue wire to the terminal marked with the letter “N” or coloured black;
- connect the brown wire to the terminal marked with the letter “L” or coloured red.
- The plug must be connected to an outlet connected to the grounding unit in conformity to security norms.
- If the appliance is to be connected directly to the mains, it must be placed with an omnipolar switch with minimum opening between the contacts of 3 mm between the appliance and the mains.
- The power supply cable must not touch the hot parts and must be positioned so that it does not exceed 50°C above ambient.
- Once the appliance has been installed, the power switch or power plug must always be in a accessible position.
- If the power supply cable is damaged it must be substituted by a suitable cable available in the after sales service.
- The appliance must have its own supply; any other appliances installed near it must be supplied separately.
- **N.B. For connection to the mains, do not use adapters, reducers or branching devices as they can cause overheating and burning.**
- **If the hob surface is cracked disconnect the appliance from the mains and contact the After-Sales Service.**

In the event that installation should require modifications to the mains supply wiring system, it is recommended that a qualified technician be called to carry out substitution.

The technician will also have to verify that the cross-section of the electric cables on the power point match the appliance's power rating.



## REPLACING THE POWER SUPPLY CABLE

**WARNING:** If the power supply cable is damaged, it must be replaced only by an authorized service agent in order to avoid a hazard.

Use the same type of power supply cable.

This cable must be connected to the terminal block following the diagram in fig. 3.1.

**NOTE:** The earth conductor must be left about 3 cm longer than the others.

The operations must be executed by a qualified technician.

## SECTION OF THE SUPPLY CABLE

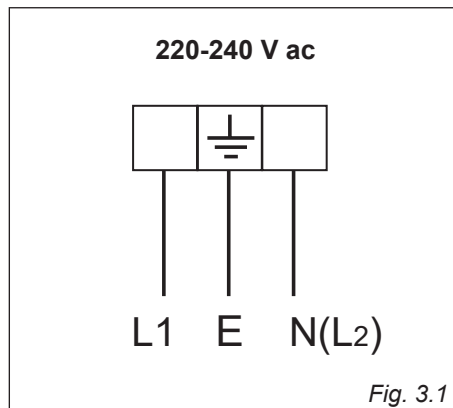
TYPE "H05V2V2-F"

(resistant to temperatures of 90°C)

220-240 V 50-60 Hz 3 x 0,75 mm<sup>2</sup> (\*) (\*\*)

(\*) Connection possible with plug and outlet

(\*\*) Connection with wall box connection.





# Advice for the users

# 1 FEATURES

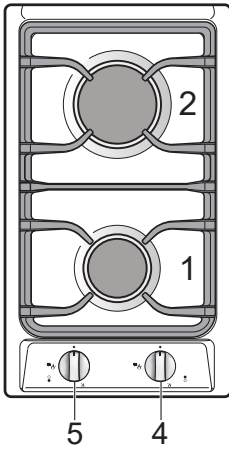


Fig. 1.1a

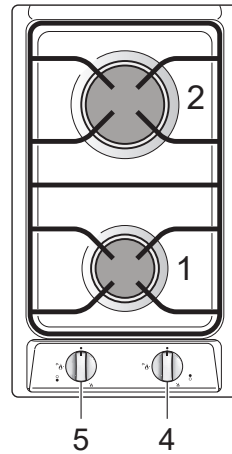


Fig. 1.1b

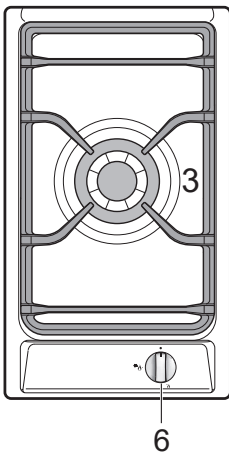


Fig. 1.2a

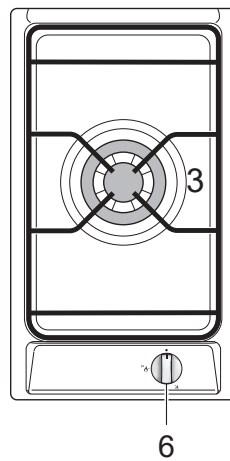


Fig. 1.2b

**Caution!**  
Do not cover the hob with aluminium foils.

**NOTE:**  
The knobs and symbols may vary.

## **COOKING POINTS**

- |                            |         |
|----------------------------|---------|
| 1. Semirapid burner (SR)   | 1,75 kW |
| 2. Rapid burner (R)        | 3,00 kW |
| 3. Double-ring burner (DC) | 3,80 kW |

## **CONTROL PANEL DESCRIPTION**

4. Rapid burner control knob (2)
5. Semirapid burner control knob (1)
6. Double-ring burner control knob (3)

### **NOTE:**

- The electric ignition is incorporated in the knobs.
- The appliance has a safety valve system fitted, the flow of gas will be stopped if and when the flame should accidentally go out.

### **CAUTION:**

If the burner is accidentally extinguished, turn the gas off at the control knob and wait at least 1 minute before attempting to re-light.

### **CAUTION:**

Gas hobs produce heat and humidity in the environment in which they are installed. Ensure that the cooking area is well ventilated by opening the natural ventilation grilles or by installing an extractor hood connected to an outlet duct.

### **CAUTION:**

If the hob is used for a prolonged time it may be necessary to provide further ventilation by opening a window or by increasing the suction power of the extractor hood (if fitted).




# 2

## GAS BURNERS

### GAS BURNERS

Gas flow to the burners is adjusted by turning the knobs (illustrated in fig. 2.1) which control the safety valves.

Turning the knob, so that the indicator line points to the symbols printed on the panel, achieves the following functions:

- symbol  closed valve
  - symbol  maximum aperture or flow
  - symbol  minimum aperture or flow
- The maximum aperture position permits rapid boiling of liquids, whereas the minimum aperture position allows slower warming of food or maintaining boiling conditions of liquids.
  - To reduce the gas flow to minimum rotate the knob further anti-clockwise to point the indicator towards the small flame symbol.
  - Other intermediate operating adjustments can be achieved by positioning the indicator between the maximum and minimum aperture positions, and never between the maximum aperture and closed positions.

**NOTE:** The knob and symbols may vary.

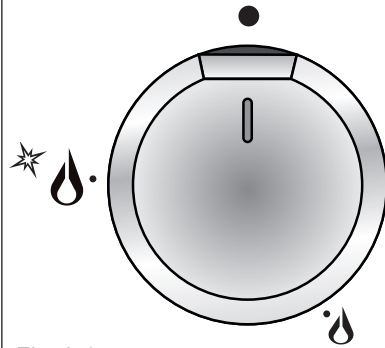


Fig. 2.1


**Caution!**  
Do not cover the hob with aluminium foils.

**Caution!**  
The cooking hob becomes very hot during operation.  
Keep children well out of reach.

**N.B.** When the cooktop is not being used, set the gas knobs to their closed positions and also close the cock valve on the gas bottle or the main gas supply line.

## LIGHTING GAS BURNERS FITTED WITH SAFETY VALVE DEVICE

To ignite the burner, the following instructions are to be followed:

1. Press in the corresponding knob and turn counter-clockwise (fig. 2.2) to the full flame position marked by the  symbol (fig. 2.1); hold the knob in until the flame has been lit.  
In the case of a mains failure light the burner with a match or lighted taper.
2. Wait for a few seconds after the gas burner has been lit before letting go of the knob (valve activation delay).
3. Adjust the gas valve to the desired position.

If the burner flame should go out for some reason, the safety valve will automatically stop the gas flow.

To re-light the burner, return the knob to the closed “●” position, **wait for at least 1 minute** and then repeat the lighting procedure.

**Note:** If your local gas supply makes it difficult to light the burner with the knob set to maximum, set the knob to minimum and repeat the operation.

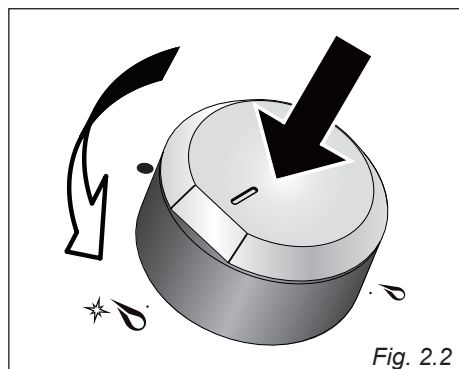


Fig. 2.2

## CHOICE OF THE BURNER

On the control panel, near every knob there is a diagram that indicates which burner is controlled by that knob.

The suitable burner must be chosen according to the diameter and the capacity used.

The burners and pans must be used in accordance with the following instructions:

### DIAMETERS OF PANS WHICH MAY BE USED ON THE BURNERS

| BURNERS        | MINIMUM | MAXIMUM   |
|----------------|---------|-----------|
| Semi-rapid (*) | 16 cm   | 22 cm     |
| Rapid          | 22 cm   | 26 cm     |
| Triple-ring    | 24 cm   | 28 cm     |
| Wok            | -       | Max 36 cm |

### do not use pans with concave or convex bases

(\*) with grill for small cookware: minimum diameter 6 cm (only for the models supplied with grill for small pans)

It is important that the diameter of the pot be suitable to the potentiality of the burner so as not to compromise the high output of the burners and therefore energy waste. A small pot on a large burner does not give you a boiling point in a shorter amount of time since the capacity of heat absorption of a liquid mass depends on the volume and the surface of the pot.

**CAUTION:** Make sure the pans are central to the burner for maximum stability and greater efficiency.

Make sure the pans are not in contact with the control knobs, otherwise the flame could overheat the knobs and permanently damage them.

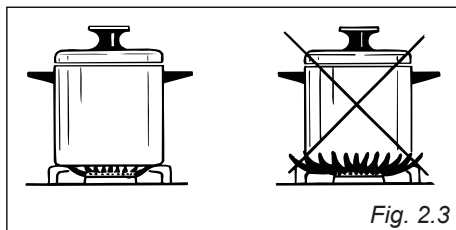
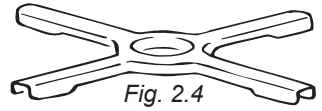


Fig. 2.3

### AUXILIARY GRATE FOR SMALL PANS (Optional)

This grate is to be placed on top of the (smaller) auxiliary burner when using small diameter pans, in order to prevent them from tipping over.

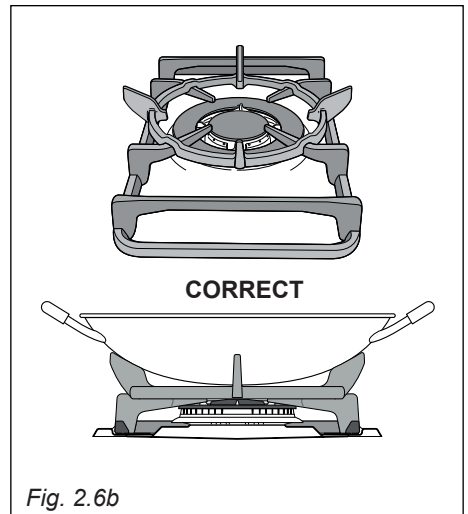
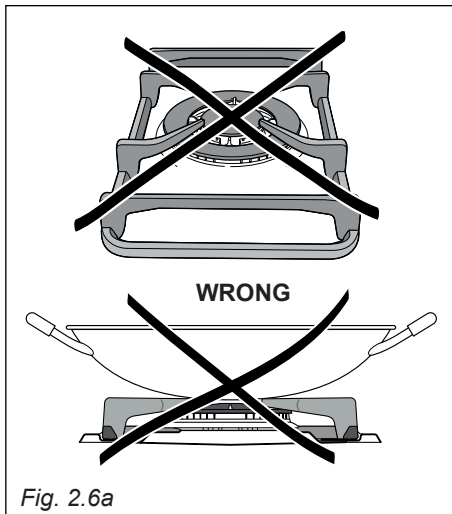
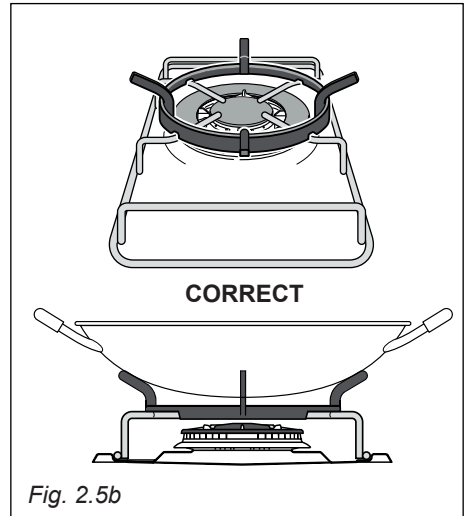
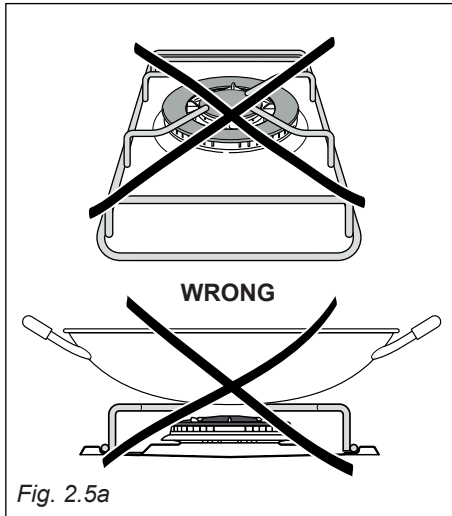


### CORRECT USE OF DOUBLE-RING BURNER- OPTIONAL (models with double-ring burner only)

- To use the WOK you need to place the proper stand (if the the wok pan adapter is not supplied with the appliance, it is available as an accessory at extra cost) in order to avoid any faulty operation of the double-ring burner (figs. 2.5a - 2.5b - 2.6a - 2.6b).
- The flat-bottomed pans are to be placed directly onto the pan-support.

#### IMPORTANT:

- The special grille for wok pans (fig. 2.5b - 2.6b) **MUST BE PLACED ONLY** over the panrest for the double-ring burner.





# 3

## CLEANING AND MAINTENANCE

### GENERAL ADVICE

- **Before you begin cleaning you must ensure that the hob is switched off.**
- It is advisable to clean when the appliance is cold and especially when cleaning the enamelled parts.
- All enamelled surfaces have to be washed with soapy water or some other non-abrasive product with a sponge and are to be dried preferably with a soft cloth.
- Avoid leaving alkaline or acid substances (lemon juice, vinegar etc.) on the surfaces.
- **Do not use cleaning products with a chlorine or acidic base.**
- **Important: The use of suitable protective clothing/gloves is recommended when handling or cleaning of this appliance.**
- **Under no circumstances should any external covers be removed for servicing or maintenance except by suitable qualified personnel.**
- Clean surfaces with a damp cloth and use gentle, neutral cleaning products. Dry with a clean, dry cloth.
- **IMPORTANT:** Do not use any abrasive products (e.g. certain types of sponge) and/or aggressive products (e.g. caustic soda, products containing corrosive substances), which could cause irreparable surface damage.

### WARNING

**When correctly installed, your product meets all safety requirements laid down for this type of product category. However special care should be taken around the underneath of the appliance as this area is not designed or intended to be touched and may contain sharp or rough edges, that may cause injury.**

### ENAMELLED PARTS

All the enamelled parts must be cleaned with a sponge and soapy water only or other non-abrasive products.

Dry preferably with a microfibre or soft cloth.

If acid substances such as lemon juice, tomato conserve, vinegar etc. are left on the enamel for a long time they will etch it, making it opaque.

### STAINLESS STEEL SURFACES

Stainless steel parts must be rinsed with water and dried with a soft and clean cloth.

For persistent dirt, use specific non-abrasive products available commercially or a little hot vinegar.

**Important: The manufacturer declines all liability for possible damage caused by the use of unsuitable products to clean the appliance.**

**Attention! The appliance gets very hot, mainly around the cooking areas. It is very important that children are not left alone in the kitchen when you are cooking.**

**Do not use a steam cleaner because the moisture can get into the appliance thus make it unsafe.**

## **PAINTED PARTS AND SILKSCREEN PRINTED SURFACES**

Clean using an appropriate product. Always dry thoroughly.

**IMPORTANT:** these parts must be cleaned very carefully to avoid scratching and abrasion. You are advised to use a soft cloth and neutral soap.

**CAUTION:** Do not use abrasive substances or non-neutral detergents as these will irreparably damage the surface.

**Note:** Continuous use may cause a change in the glaze around the burners, corresponding to the areas exposed to the heat.

## **GAS TAPS**

Do not let cleaning products come into contact with the valves.

Periodic lubrication of the gas taps must be carried out by specialist personnel only.

In the event of operating faults in the gas taps, call the Service Department.

## **BURNERS AND PAN SUPPORTS**

These parts must be cleaned using a sponge and soapy water or other suitable non-abrasive products. Dry with a soft cloth.

**Warning! Not dishwasher safe.**

After cleaning, the burners and their flame spreaders must be well dried and correctly replaced.

It is very important to check that the burner flame spreader and the cap have been correctly positioned. Failure to do so can cause serious problems.

Check that the electrode “**S**” (figs. 3.1, 3.3) next to each burner is/are always clean to ensure trouble-free sparking.

Check that the probe “**T**” (figs. 3.1, 3.3) next to each burner is/are always clean to ensure correct operation of the safety valves.

**Both the probe and ignition plug must be very carefully cleaned.**

**Note:** To avoid damage to the electric ignition do not use it when the burners are not in place.

**Note:** Continuous use may cause a change in the glaze around the burners and grids, corresponding to the areas exposed to the heat. This is a natural phenomenon and does not prevent the parts from working properly.

## **CORRECT REPLACEMENT OF THE SEMI-RAPID AND RAPID BURNER**

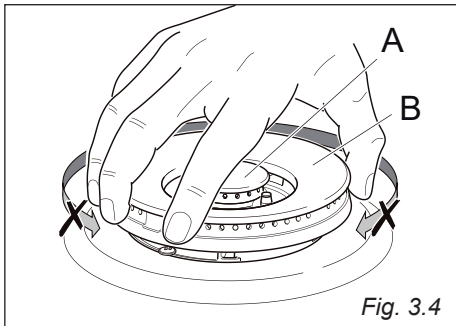
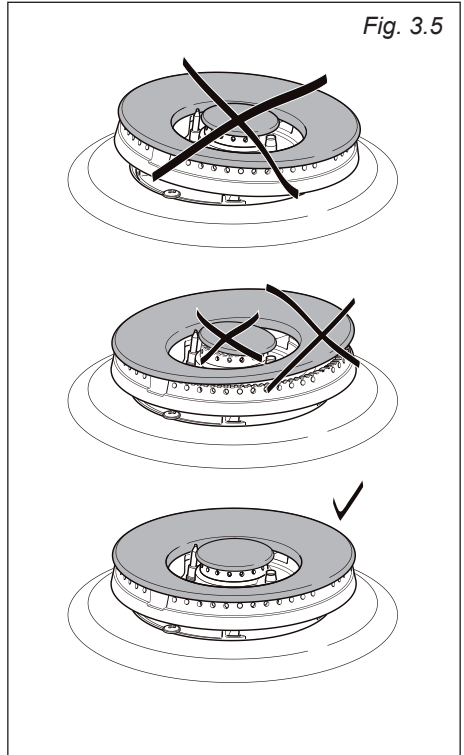
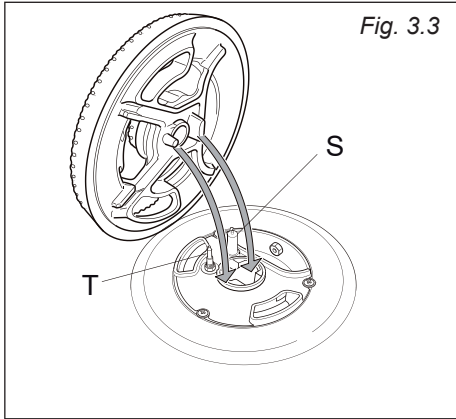
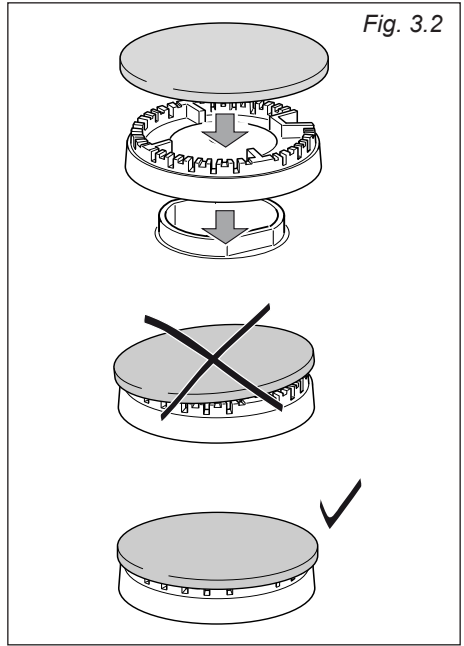
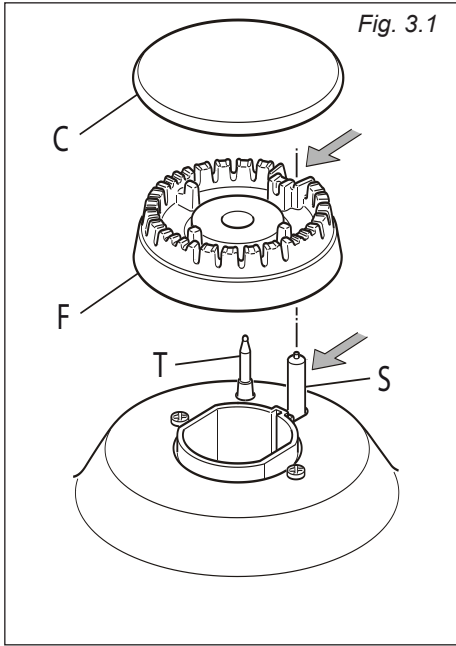
It is very important to check that the burner flame distributor “**F**” and the cap “**C**” have been correctly positioned (see figs. 3.1, 3.2) - failure to do so can cause serious problems.

## **CORRECT REPLACEMENT OF THE DOUBLE-RING (Some models only)**

The burner must be correctly positioned; failure to do so can cause serious problems.

Fit the flame spreader to the housing as shown by the arrows (see figs. 3.3, 3.4, 3.5).

The burner correctly positioned must not rotate (fig. 3.5).



## **Vážená zákaznice/vážený zákazník,**

*děkujeme, že jste dali přednost našemu produktu a zakoupili ho.*

*Níže uvedená bezpečnostní opatření a doporučení jsou pro vaši vlastní bezpečnost a bezpečnost ostatních. Poskytnou také prostředky k plnému využití funkcí, které váš spotřebič nabízí.*

*Prosíme o pečlivé uchování této brožury. V budoucnu může být užitečná, a to jak pro vás, tak pro ostatní v případě, že v souvislosti s jeho fungováním budete mít pochybnosti.*

***Tento spotřebič se smí používat pouze pro úkol, pro který byl výslovně navržen, tj. pro vaření potravin. Jakákoli jiná forma použití je považována za nevhodnou, a tudíž nebezpečnou.***

***Výrobce odmítá veškerou odpovědnost v případě poškození způsobeného nevhodným, nesprávným nebo nelogickým použitím spotřebiče.***

## **PROHLÁŠENÍ O SHODĚ CE**

- Tento spotřebič byl navržen pro použití pouze k vaření. Jakékoli jiné použití (například vytápění místnosti) je nevhodné a nebezpečné.
- Tento spotřebič byl navržen, vyroben a uveden na trh v souladu s:
  - bezpečnostními požadavky nařízení (EU) č. 2016/426 o plynu;
  - bezpečnostními požadavky směrnice č. 2014/35/EU o nízkém napětí;
  - bezpečnostními požadavky směrnice č. 2014/30/EU o elektromagnetické kompatibilitě;
  - požadavky směrnice EU č. 93/68/EHS;
  - požadavky směrnice EU č. 2011/65/EU.



## DŮLEŽITÁ BEZPEČNOSTNÍ OPATŘENÍ A DOPORUČENÍ

**DŮLEŽITÉ:** Tento spotřebič je určen a vyroben výhradně pro vaření domácích pokrmů a není vhodný pro žádné jiné než domácí použití, a proto ho nepoužívejte v komerčním prostředí. Záruka na spotřebič je neplatná, pokud spotřebič používáte v prostředí mimo domácnost, tj. v částečně komerčním, komerčním nebo kolektivním prostředí.

**Před instalací a použitím spotřebiče si pečlivě přečtěte pokyny.**

- Tento spotřebič byl navržen a vyroben v souladu s platnými normami pro domácí kuchyňské výrobky a splňuje všechny bezpečnostní požadavky uvedené v této příručce, včetně požadavků na povrchové teploty.  
Někteří lidé s citlivou pokožkou mohou u určitých součástí vnímat teplotu výrazněji, i když jsou tyto části v mezích povolených normami. Úplná bezpečnost spotřebiče závisí také na správném používání, proto doporučujeme při používání výrobku vždy věnovat mimořádnou pozornost, zejména v přítomnosti dětí.
- Po vybalení spotřebiče zkontrolujte, zda není poškozený.  
V případě pochybností jej nepoužívejte a poraďte se se svým dodavatelem nebo odborně způsobilým technikem.
- Obalové prvky (např. plastové sáčky, polystyrenová pěna, hřebíky, obalové pásky atd.) nenechávejte v dosahu dětí, mohly by jim způsobit vážná zranění.
- Některé spotřebiče jsou dodávány s ochrannou fólií na ocelových a hliníkových dílech. **Tuto fólii je třeba před použitím spotřebiče odstranit.**
- **DŮLEŽITÉ:** Při manipulaci nebo čištění spotřebiče se doporučuje používat vhodný ochranný oděv/rukavice.
- Nepokoušejte se upravovat technické vlastnosti spotřebiče, hrozí nebezpečí. Výrobce odmítá veškerou odpovědnost za jakékoli nepříjemnosti vyplývající z nedodržení této podmínky.

- **UPOZORNĚNÍ:** toto zařízení lze instalovat pouze v trvale větrané místnosti v souladu s platnými předpisy.
- Nepoužívejte spotřebič prostřednictvím externího časovače ani samostatného systému dálkového ovládání.
- Na spotřebiči neprovádějte čištění ani údržbu, aniž byste jej předtím odpojili od elektrického napájení.
- Nepoužívejte parní čistič, protože vlhkost se může dostat do spotřebiče a může vám hrozit nebezpečí.
- Nezakrývejte varnou desku hliníkovými fóliemi.
- Nedotýkejte se spotřebiče mokřýma nebo vlhkýma rukama (či nohama).
- Nepoužívejte spotřebič naboso.
- Pokud se rozhodnete tento spotřebič před likvidací nadále nepoužívat (nebo se rozhodnete jej vyměnit za jiný model), doporučujeme jej vhodným způsobem vyřadit z provozu v souladu s předpisy na ochranu zdraví a životního prostředí a zejména zajistit, že všechny potenciálně nebezpečné části budou neškodné, zejména pro děti, které by si s nepoužívaným spotřebičem mohly hrát.
- Různé komponenty spotřebiče jsou recyklovatelné. Zlikvidujte je v souladu s předpisy platnými ve vaší zemi. V případě vyřazení spotřebiče z provozu odpojte napájecí kabel.
- Po použití se ujistěte, že jsou knoflíky / ovládací prvky ve vypnuté poloze.
- Děti mladší osmi let se nesmí přibližovat ke spotřebiči, pokud nejsou pod nepřetržitým dohledem.
- Tento spotřebič mohou používat děti starší osmi let a osoby s omezenými fyzickými, smyslovými nebo duševními schopnostmi nebo osoby nezkušené a neznalé za předpokladu, že mají zajištěný dohled nebo byly poučeny o bezpečném používání spotřebiče a chápou související rizika. Děti si se spotřebičem nesmějí hrát. Nenechte je provádět čištění a uživatelskou údržbu bez dozoru.
- Výrobce odmítá veškerou odpovědnost za zranění osob nebo škodu na majetku způsobenou nesprávným nebo nevhodným použitím spotřebiče.

- **VAROVÁNÍ:** Během používání se spotřebič a jeho přístupné části zahřívají; po použití zůstanou nějakou dobu horké.
  - Buďte opatrní a nedotýkejte se topných těles varné desky.
  - Pro zabránění popáleninám a opařeninám držte malé děti mimo dosah spotřebiče.
- Ujistěte se, že elektrické kabely připojující jiné spotřebiče v blízkosti varné desky s ní nemohou přijít do styku.
- **VAROVÁNÍ:** Příprava pokrmů na tuku nebo oleji na varné desce bez dozoru může být nebezpečná a vést ke vzniku požáru. **NIKDY** se nepokoušejte hasit požár vodou, vypněte spotřebič a potom zakryjte plamen, např. pokličkou nebo hasicí dekou.
- **VAROVÁNÍ:** Nebezpečí požáru: nepokládejte předměty na varný povrch.
- **VAROVÁNÍ:** Při správné instalaci splňuje váš výrobek všechny bezpečnostní požadavky stanovené pro tento typ kategorie výrobků. Zvláštní pozornost však věnujte spodní části spotřebiče, protože tato oblast není určena k ručnímu ovládání a mohou se zde vyskytovat ostré nebo drsné hrany, které mohou způsobit zranění.
- **POZOR:** Na proces vaření je třeba dohlížet. Na krátké vaření je nutné dohlížet nepřetržitě.
- Pokud je napájecí kabel poškozený, pro zabránění nebezpečí jej smí vyměnit pouze oprávněný servisní pracovník.
- Pokud není spotřebič vybaven napájecím kabelem a zástrčkou nebo jiným prostředkem pro úplné odpojení od síťového napájení se vzdáleností kontaktů na všech pólech vyhovující požadavkům na kategorii přepětí III, odpojovací součást musí být zapojená do pevného elektrického vedení v souladu s elektroinstalačními předpisy.
- **VAROVÁNÍ:** Spotřebič a jeho přístupné součásti jsou během používání horké.  
Je třeba dávat pozor, abyste se nedotkli topných těles.  
Děti mladší osmi let se nesmí přibližovat ke spotřebiči, pokud nejsou pod nepřetržitým dohledem.

- **VAROVÁNÍ:** Používejte pouze takové zábrany na varné desky, které výrobce spotřebiče sám navrhl nebo označil v návodu k použití jako vhodné, případně zábrany vestavěné do spotřebiče. Používání nevhodných krytů může vést k nehodám.

## **ENERGETICKÉ ŠTÍTKY / EKODESIGN**

- Nařízení Komise (EU) č. 66/2014 (kterým se provádí směrnice Evropského parlamentu a Rady č. 2009/125/ES).

Odkaz na metody měření a výpočtu použité ke zjištění souladu s výše uvedenými požadavky:

- norma EN30-2-1 (varné desky: plynové hořáky).

## **POUŽITÍ SPOTŘEBIČE, TIPY PRO ÚSPORU ENERGIE**

### **VARNÁ DESKA**

#### **HOŘÁKY NA PLYN**

- Průměr nádoby by měl odpovídat potenciálu hořáku, aby nedocházelo k využívání vyššího výkonu, než je potřeba, a tedy plýtvání energií. Malý hrnec na velkém hořáku nepřivede pokrm k varu v kratším čase, protože kapacita absorpce tepla kapalné hmoty závisí na objemu a povrchu hrnce.
- Nenechávejte hořák zapnutý naprázdno (bez hrnce).

## **DŮLEŽITÉ INFORMACE PRO SPRÁVNOU LIKVIDACI VÝROBKU V SOULADU SE SMĚRNICÍ ES Č. 2012/19/EU.**

Na konci své životnosti se výrobek nesmí zlikvidovat jako městský odpad. Je třeba jej předat zvláštnímu místnímu orgánu, který provádí zvláštní sběr odpadu, nebo prodejci, který tuto službu poskytuje.

Likvidací domácích spotřebičů odděleně se zabrání možným negativním dopadům na životní prostředí a zdraví vyplývajícím z nevhodné likvidace a umožní tak recyklovat použité materiály, čímž lze dosáhnout značných úspor energie a zdrojů. Jako upozornění na nutnost likvidace domácích spotřebičů odděleně je výrobek označen přeškrtnutou popelnicí s koly.





# Rady pro instalačního technika

## DŮLEŽITÉ:

- Spotřebič byl navržen a schválen pouze pro domácí použití a nesmí se instalovat v komerčním, částečně komerčním ani kolektivním prostředí.  
**Záruka se na váš výrobek nevztahuje, pokud je nainstalován v některém z výše uvedených prostředí a mohl by ovlivnit jakoukoli třetí stranu nebo případné pojištění odpovědnosti.**
- Tento spotřebič smí instalovat, regulovat a upravovat tak, aby fungoval, pouze oprávněná osoba v souladu s platnými místními předpisy a podle pokynů dodaných výrobcem. Nedodržení této podmínky způsobí neplatnost záruky.
- Spotřebič musí být nainstalován v souladu s předpisy platnými ve vaší zemi a v souladu s pokyny výrobce.
- Instalační technici musí dodržovat platné právní předpisy týkající se větrání a odvádění výfukových plynů.
- Nesprávná instalace, za kterou výrobce nenese žádnou odpovědnost, může způsobit zranění nebo škodu na zdraví.
- Tento spotřebič smí obsluhovat pouze oprávnění pracovníci.
- Před prováděním údržby nebo oprav spotřebič vždy odpojte od síťového napájení.
- **Důležité: Při manipulaci nebo čištění tohoto spotřebiče se doporučuje používat vhodný ochranný oděv/rukavice.**
- Tyto desky jsou určeny k zabudování do kuchyňských sestav o hloubce 600 mm a tloušťce pracovní plochy 30 až 40 mm.
- Spotřebič musí být umístěn v žáruvzdorných jednotkách.
- Stěny jednotek nesmí být vyšší než pracovní deska a musí být schopny odolávat teplotám 105 °C nad pokojovou teplotou.
- Upozornujeme, že lepidlo, které spojuje plastový laminát s nábytkem, musí odolávat teplotám nejméně 150 °C, aby nedocházelo k delaminaci.
- Neinstalujte spotřebič poblíž zdrojů tepla nebo hořlavých materiálů (např. závěsů).

## VAROVÁNÍ!

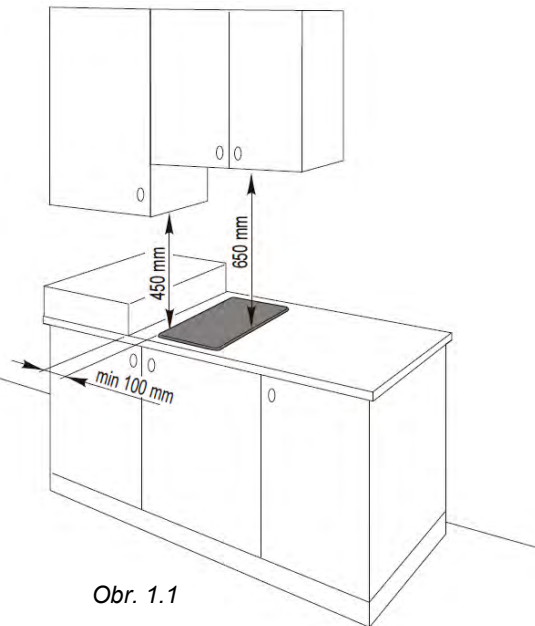
Při správné instalaci splňuje váš výrobek všechny bezpečnostní požadavky stanovené pro tento typ kategorie výrobků. Zvláštní pozornost však věnujte spodní části spotřebiče, protože tato oblast není určena k ručnímu ovládání a mohou se zde vyskytovat ostré nebo drsné hrany, které mohou způsobit zranění.

# 1

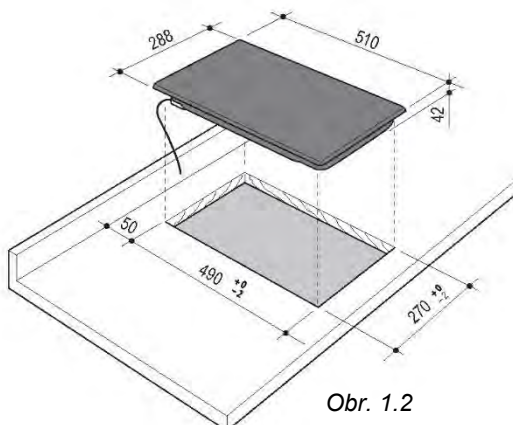
## INSTALACE

### TECHNICKÉ INFORMACE PRO INSTALAČNÍHO TECHNIKA

- Pro instalaci varné desky do kuchyňské sestavy je nutné vytvořit otvor o rozměrech uvedených na obr. 1.1, přičemž je třeba mít na paměti následující:
- mezi spodní částí spotřebiče a kuchyňskou linkou, zásuvkou nebo spotřebičem musí být 30mm větrací mezera.
- Pokud je základna varné desky po instalaci přístupná přes skříň nebo zásuvkový prostor, tepelná ochranná bariéra není zapotřebí.
- Pokud instalujete varnou desku nad troubu, oba spotřebiče musí být připojené k plynovému a/nebo elektrickému napájení nezávislými přípojkami.
- Vrchní část varné desky je třeba umístit nejméně 100 mm od jakékoli boční stěny (od bočního okraje výřezu – obr. 1.1).
- Varnou desku je třeba instalovat nejméně 50 mm od stěny (od zadního okraje výřezu – obr. 1.2).
- Mezi varnou deskou a jakoukoli nástěnnou skříňí nebo odsavačem umístěným bezprostředně nad ní musí být vzdálenost nejméně 650 mm (viz obr. 1.1).



**Neinstalujte spotřebič poblíž zdrojů tepla nebo hořlavých materiálů (např. závěsů).**

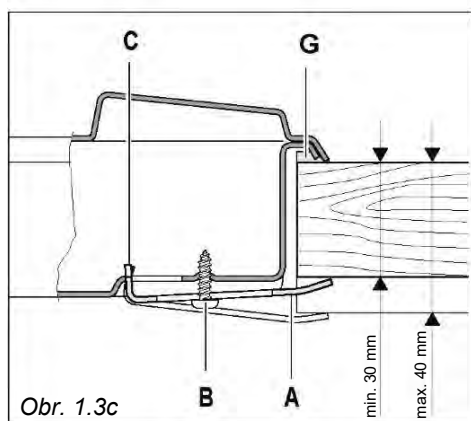
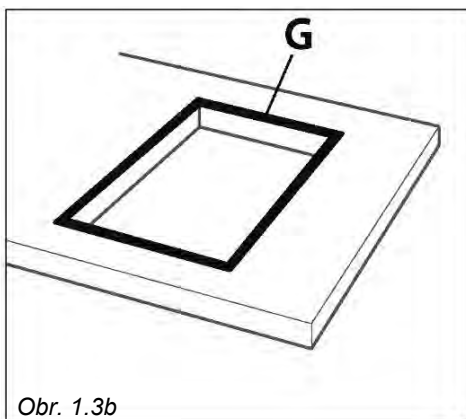
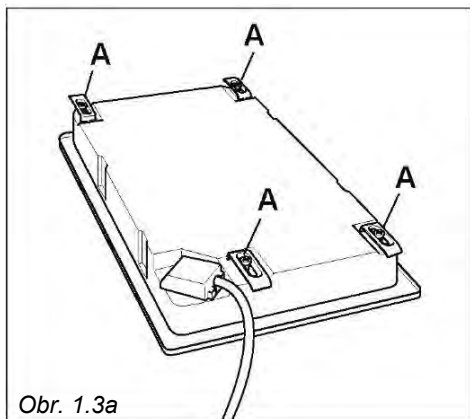


## UPEVNĚNÍ VARNÉ DESKY (obr. 1.3a, 1.3b, 1.3c)

Každá varná deska je vybavena instalační sadou včetně držáků a šroubů pro připevnění varné desky k linkám o tloušťce 30 až 40 mm.

Sada obsahuje 4 západky „A“ a 4 závitové šrouby „B“.

- Vyříznete v jednotce otvor.
- Natáhněte těsnění „G“ přes okraj otvoru, přičemž dávejte pozor, abyste překryli hrany spoje (obr. 1.3b).
- Otočte varnou desku a vložte západky „A“ (obr. 1.3a) do držáků a volně utáhněte šrouby „B“. Ujistěte se, že jsou západky správně namontované, jak je znázorněno na obrázku 1.3c. Otočte západky tak, abyste mohli varnou desku vložit do otvoru.
- Vložte varnou desku do otvoru vyříznutého do jednotky a správně ji umístěte.
- Vložte západky „A“ na místo, zub „C“ západek by měl směřovat do otvoru.
- Utáhněte šrouby „B“, dokud varnou desku zcela neupevníte.
- Použitím ostrého nástroje odstříhnete část těsnění „G“, která vyčnívá z varné desky. Dávejte pozor, abyste nepoškodili kuchyňskou linku.



## POŽADAVKY NA VĚTRÁNÍ

Spotřebič je třeba nainstalovat v souladu s platnými místními předpisy týkajícími se větrání a odvádění výfukových plynů.

Intenzivní a dlouhodobé používání může vyžadovat dodatečné větrání, např. otevření okna, nebo účinnější ventilaci zvyšující mechanický sací výkon, pokud je k dispozici.

## VÝBĚR VHODNÉHO PROSTŘEDÍ

Místnost, kde má být plynový spotřebič nainstalován, musí mít přirozený přívod vzduchu, aby mohl plyn hořet (v souladu s platnými místními předpisy).

Proud vzduchu musí pocházet přímo z jednoho nebo více otvorů vytvořených ve vnějších stěnách s volnou plochou nejméně 100 cm<sup>2</sup> (nebo viz příslušné místní předpisy).

Otvory by měly být v blízkosti podlahy a pokud možno na straně protilehlé výfuku spalin a musí být provedeny tak, aby je nešlo zablokovat ani zevnitř, ani zvenčí.

Pokud tyto otvory nelze vytvořit, může potřebný vzduch pocházet z přilehlé místnosti, která se odvětrává podle potřeby, pokud se nejedná o lůžkovou místnost nebo nebezpečný prostor (v souladu s platnými místními předpisy).

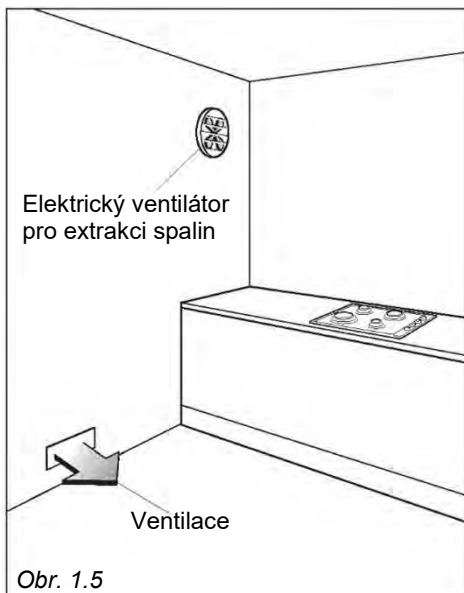
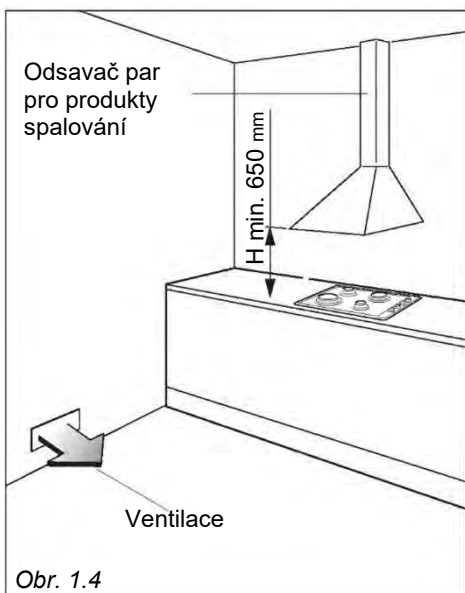
V tomto případě musí kuchyňské dveře umožňovat průchod vzduchu.

## VYPOUŠTĚNÍ SPALIN

Musí být k dispozici odsavače připojené přímo k venkovní ventilaci pro zajištění vypouštění produktů spalování plynového spotřebiče (obr. 1.4).

Pokud to není možné, lze použít elektrický ventilátor připojený k vnější stěně nebo oknu; ventilátor by měl mít kapacitu cirkulace vzduchu v hodinové rychlosti 3–5násobku celkového objemu kuchyně (obr. 1.5).

Ventilátor lze instalovat pouze v případě, že má místnost vhodnou ventilaci umožňující přívod vzduchu, jak je popsáno v části „Výběr vhodného prostředí“.



## 2 PLYNOVÉ NAPÁJENÍ

### POŽADAVKY NA INSTALACI PLYNU

#### Důležité!

- Tento spotřebič smí instalovat a opravovat pouze náležitě kvalifikovaný, registrovaný instalační technik. Instalační technik se musí řídit platnými místními normami.
- Nesprávná instalace spotřebiče by mohla zneplatnit záruku výrobce.
- Před instalací se ujistěte, že jsou místní distribuční podmínky (typ plynu a tlak) a nastavení tohoto spotřebiče kompatibilní. Podmínky seřízení spotřebiče jsou uvedeny na destičce nebo štítku.
- Pokud je tlak plynu (se kterým chcete spotřebič používat) proměnlivý nebo pokud není v rozmezí hodnot uvedených na typovém štítku, je nutné nainstalovat správný regulátor tlaku plynu, který musí být nastaven tak, aby zaručoval správný provozní tlak spotřebiče (podle typového štítku).  
Regulátor smí instalovat, upravovat a testovat pouze kvalifikovaný technik.
- **VAROVÁNÍ:** Použití spotřebiče s nesprávným a/nebo proměnlivým tlakem plynu může být extrémně nebezpečné a může vést k vážnému zranění uživatele. Při nedodržení této podmínky může dojít k poškození spotřebiče.  
Výrobce odmítá veškerou odpovědnost za případné nepříjemnosti vyplývající z nedodržení této podmínky.

Tento spotřebič je dodáván pro použití na zemní plyn nebo LPG (zkontrolujte energetický štítek připevněný na spotřebiči).

- Spotřebiče dodávané pro použití na zemní plyn: jsou upraveny pouze pro tento plyn a bez úprav je nelze použít s žádným jiným plynem (LPG). Spotřebiče se vyrábí pro konverzi na LPG.
- Spotřebiče dodávané pro použití na LPG: jsou upraveny pouze pro tento plyn a bez úprav je nelze použít s žádným jiným plynem (zemním plynem). Spotřebiče se vyrábí pro konverzi na zemní plyn.

Pokud není souprava na konverzi zemního plynu / LPG součástí balení spotřebiče, lze tuto soupravu zakoupit prostřednictvím prodeje servisů.

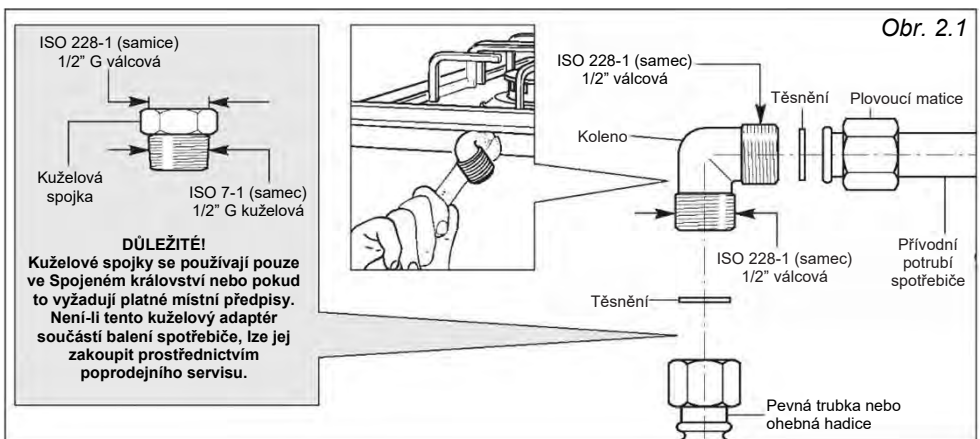
## PŘIPOJENÍ VARNÉ DESKY K PŘÍVODU PLYNU

Přípojka plynu (obr. 2.1) se skládá z:

- plovoucí matice;
- kolene;
- těsnění;
- kuželové spojky – pouze pro Spojené království nebo pokud to vyžadují platné místní předpisy. V tomto případě před připojením spotřebiče k přívodu plynu namontujte kuželovou spojku na koleno a vložte těsnění. Pokud kuželová spojka není součástí balení spotřebiče, lze ji zakoupit prostřednictvím poprodejního servisu.

**Plynovou přípojku smí instalovat pouze oprávněná osoba v souladu s příslušnými místními normami.**

- Pokud používáte ohebnou hadici, ujistěte se, že nepřijde do styku s pohyblivými částmi.
- Zadní část spodní části je zapuštěná pro zajištění kanálu pro přívodní potrubí spotřebiče.
- Plynovou přípojku lze po uvolnění kolene a plovoucí matice otočit v požadovaném směru (ale nikdy ve svislé nebo vodorovné poloze).
- Nikdy se nepokoušejte otočit kolenem, aniž byste nejprve uvolnili plovoucí matici.
- Dodávaná těsnění zaručují správné utěsnění plynové přípojky. Těsnění doporučujeme vyměnit při sebemenším náznaku opotřebení, deformace nebo nedokonalosti.
- Po připojení k přívodu plynu zkontrolujte, zda jsou spoje správně utěsněné pomocí mýdlového roztoku, nikdy nepoužívejte otevřený plamen.



## DODATEČNÉ POŽADAVKY NA PŘIPOJENÍ PLYNU

Při připojování varné desky k přívodu plynu pevnými trubkami nebo ohebnou hadicí se ujistěte, že:

- používáte pevné trubky nebo ohebnou hadici v souladu s platnými místními předpisy. Ohebná hadice musí mít správnou konstrukci pro typ používaného plynu a správnou velikost pro zachování tepelného výkonu spotřebiče.
- Spojení s pevnými kovovými trubkami nezpůsobuje namáhání materiálu ani nevyvíjí tlak na plynové potrubí.
- Ohebná hadice není pod napětím, není zkroucená, zauzlená nebo příliš pevně ohnutá, ani když je varná deska v provozu, ani když je připojené nebo odpojená.
- Ohebná hadice není delší než 2 000 mm (nebo se řiďte platnými místními předpisy) a nepřijde do styku s ostrými hranami, rohy nebo pohyblivými částmi, protože by mohly způsobit oděr. Používejte pouze jednu ohebnou hadici; varnou desku nikdy nepřipojujte k více než jedné ohebné hadici.
- Ohebnou hadici lze snadno zkontrolovat po celé její délce a zhodnotit tak její stav; pokud má datum spotřeby, je třeba ji vyměnit před tímto datem.
- Pokud používáte ohebnou hadici, která je částečně vyrobena z nekovových částí, ujistěte se, že nepřijde do styku s žádnou částí varné desky s povrchovou teplotou 70 °C nebo vyšší (nebo se řiďte platnými místními předpisy).
- Pevné potrubí nebo ohebnou hadici vyměňte, pokud vykazuje známky poškození.
- Ohebná hadice není vystavena nadměrnému teplu v důsledku přímého vystavení spalínám nebo kontaktu s horkými povrchy.
- Zásuvka, do které je zástrčka pružné hadice trvale připojena k pevně upevněnému plynovému instalačnímu potrubí je umístěna tak, aby hadice volně visela dolů.
- Zástrčka pružné hadice je po instalaci přístupná, takže ji lze odpojit pro údržbu nebo demontáž.
- Informujte zákazníka, že pevnou trubku ani ohebnou hadici nesmí vystavovat korozi způsobené čisticími prostředky.

# ÚDRŽBA PLYNU

V případě připojení plynu zkontrolujte štítek s údaji na spotřebiči

| TABULKA PRO VÝBĚR VSTŘIKOVAČŮ                           |                      |                    |                                 |                              |
|---|----------------------|--------------------|---------------------------------|------------------------------|
| <b>Kategorie: II 2H 3+<br/>(Země IT-ES-PT-GB-SI-CZ)</b> |                      |                    | <b>G30/G31</b><br>28–30/37 mbar | <b>G20</b><br>20 mbar        |
| <b>Kategorie: II 2E+3+<br/>(Země FR)</b>                |                      |                    | <b>G30/G31</b><br>28–30/37 mbar | <b>G20/G25</b><br>20/25 mbar |
| <b>Kategorie: II 2H3B/P<br/>(Země HR-RO-SI-CZ)</b>      |                      |                    | <b>G30/G31</b><br>30/30 mbar    | <b>G20</b><br>20 mbar        |
| HOŘÁKY  | Jmenovitý výkon [kW] | Snížený výkon [kW] | Ø vstřikovače [1/100 mm]        | Ø vstřikovače [1/100 mm]     |
| Polorychlý (SR)   | 1,75                 | 0,45               | 66                              | 101                          |
| Rychlý (R)  | 3,00                 | 0,75               | 87                              | 129                          |
| Dvoukroužkový (DR)                                      | 3,80                 | 1,50               | 98                              | 141                          |

| VENTILACE POTŘEBNÁ PRO SPALOVÁNÍ PLYNU = (2 m <sup>3</sup> /h x kW) |  |
|---|--|
| HOŘÁKY  | Vzduch potřebný ke spalování [m <sup>3</sup> /h] |
| Polorychlý (SR)   | 3,50   |
| Rychlý (R)  | 6,00   |
| Dvoukroužkový (DR)  | 7,60   |

## MAZÁNÍ PLYNOVÝCH KOHOUTKŮ

V případě potíží s provozem plynových kohoutků zavolejte servis.

## DŮLEŽITÉ

**Veškeré zásahy týkající se instalace, údržby a přestavby spotřebiče je třeba provádět s originálními továrními díly.**

**Výrobce odmítá jakoukoli odpovědnost vyplývající z nedodržení této povinnosti.**

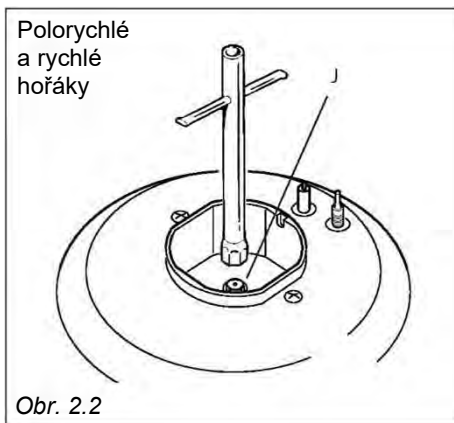


## VÝMĚNA VSTŘIKOVAČŮ

Vyberte vstřikovače, které chcete vyměnit, podle „Tabulky pro výběr vstřikovačů“.

Průměr trysek, vyjádřený v setinách milimetru, je vyznačen na těle každého vstřikovače.

**Pokud nejsou vstřikovače součástí balení, lze je zakoupit v servisním středisku.**

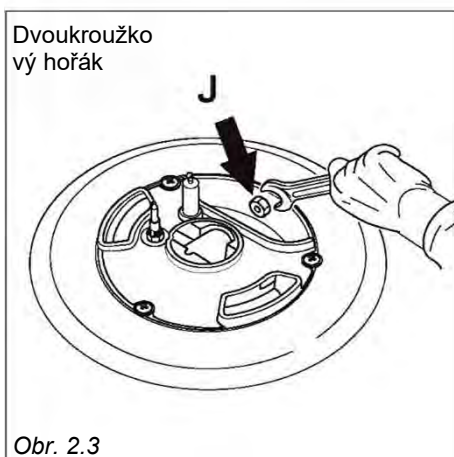


## VÝMĚNA VSTŘIKOVAČŮ HOŘÁKŮ VARNÉ DESKY

Při výměně vstřikovačů postupujte následovně:

- odstraňte podpěry a hořáky z varné desky.
- Pomocí klíče nahradte trysky vstřikovače „J“ (obr. 2.2, 2.3) těmi, které jsou nejvhodnější pro druh plynu, který chcete používat.

**Hořáky jsou navrženy tak, aby nevyžadovaly regulaci primárního vzduchu.**



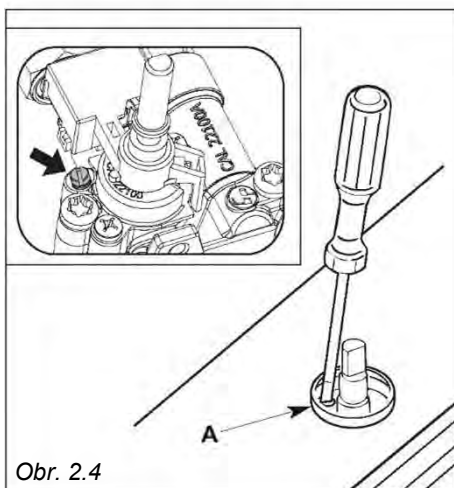
## SEŘÍZENÍ MINIMÁLNÍHO VÝKONU HORNÍCH HOŘÁKŮ

V minimální poloze musí mít plamen délku přibližně 4 mm a musí stále hořet i při rychlém otočení z maximální polohy na minimální.

Nastavení plamene se provádí následujícím způsobem:

- zapnete hořák.
- Otočte kohoutek do MINIMÁLNÍ polohy.
- Odstraňte otočný knoflík.
- Pomocí malého plochého šroubováku otočte šroub „A“ do správné polohy (obr. 2.4).

**Normálně je u G30/G31 (LPG) regulační šroub utážený.**



# 3 ELEKTRICKÉ NAPÁJENÍ

**DŮLEŽITÉ:** Spotřebič musí instalovat kvalifikovaný technik v souladu s platnými místními předpisy a v souladu s pokyny výrobce. Nesprávná instalace může způsobit újmu a poškození osob, zvířat nebo předmětů, za které výrobce nenese žádnou odpovědnost.

Připojení k řádnému uzemnění elektroinstalace je naprosto nezbytné. Výrobce nepřijímá žádnou odpovědnost za jakékoli nepříjemnosti způsobené nedodržením tohoto pravidla.

Před prováděním jakýchkoli prací na elektrické části spotřebiče musí být spotřebič odpojený od elektrické sítě.

## OBEČNÉ INFORMACE

- Připojení k elektrickému napájení musí provádět kvalifikovaný technik a musí se řídit příslušnými bezpečnostními předpisy.
- Spotřebič musí být připojen k elektrické síti a je nutné zkontrolovat, zda napětí odpovídá hodnotě uvedené na typovém štítku a zda části elektrických kabelů odolají zatížení uvedenému na štítku.
- Není-li zástrčka součástí balení varné desky, namontujte standardní zástrčku, která je vhodná pro výkon absorbovaný spotřebičem a v souladu s platnými místními předpisy.
- Barvy vodičů v napájecím kabelu spotřebiče nemusí odpovídat barvám vyznačeným na svorkách elektrické zástrčky. Zástrčku vždy zapojujte následujícím způsobem:
  - připojte zelený/žlutý vodič ke svorce označené písmenem „E“ nebo symbolem uzemnění „ $\perp$ “ nebo označené zelenou/žlutou barvou;

- připojte modrý vodič ke svorce označené písmenem „N“ nebo černou barvou;
- připojte hnědý vodič ke svorce označené písmenem „L“ nebo červenou barvou.
- Zástrčka musí být připojena k zásuvce připojené k uzemňovací jednotce v souladu s bezpečnostními normami.
- Pokud chcete spotřebič připojit přímo k síti, je třeba jej připojit pomocí vícepólového spínače s minimálním prostorem 3 mm mezi kontakty spotřebiče a sítě.
- Napájecí kabel se nesmí dotýkat horkých částí a musí být umístěn tak, aby nepřesáhl teplotu 50 °C nad okolní teplotou.
- Po instalaci spotřebiče musí být hlavní vypínač nebo síťová zástrčka vždy v přístupné poloze.
- Pokud je napájecí kabel poškozený, nahraďte jej vhodným kabelem dostupným v poprodejním servisu.
- Spotřebič musí mít vlastní zdroj napájení; všechny ostatní spotřebiče instalované v jeho blízkosti musí být napájeny samostatně.
- **POZN. Pro připojení k elektrické síti nepoužívejte adaptéry, reduktory ani rozvětrovací zařízení, mohou způsobit přehřátí a spálení.**
- **Pokud je povrch varné desky prasklý, odpojte spotřebič od sítě a obraťte se na poprodejní servis.**

V případě, že by instalace vyžadovala úpravy v síťovém napájecím systému, doporučujeme kontaktovat kvalifikovaného technika, který provede výměnu.

Technik bude také muset ověřit, zda průřez elektrických kabelů v napájecím bodě odpovídá jmenovitému výkonu spotřebiče.

## VÝMĚNA NAPÁJECÍHO KABELU

**VAROVÁNÍ:** Pokud je napájecí kabel poškozený, pro zabránění nebezpečí jej smí vyměnit pouze oprávněný servisní pracovník.

Použijte stejný typ napájecího kabelu.

Tento kabel musí být připojený ke svorkovnici podle schématu na obr. 3.1.

**POZNÁMKA:** Zemní vodič musí být asi o 3 cm delší než ostatní.

Tyto úkony smí provádět pouze kvalifikovaný technik.

## NAPÁJECÍ KABEL

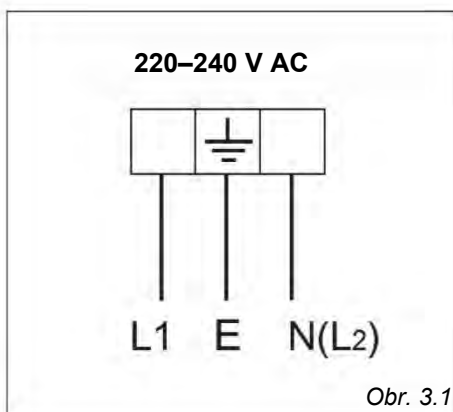
**TYP „H05V2V2-F“**

**(odolný proti teplotám kolem 90 °C)**

220–240 V 50–60 Hz 3 x 0,75 mm<sup>2</sup> (\*) (\*\*)

(\*) Možnost připojení k zástrčce a zásuvce

(\*\*) Připojení k elektroinstalační krabici.



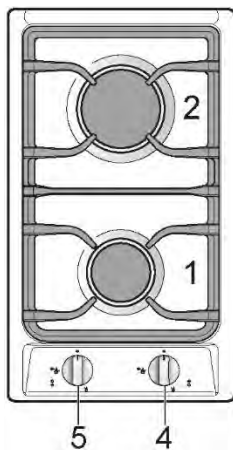
Obr. 3.1



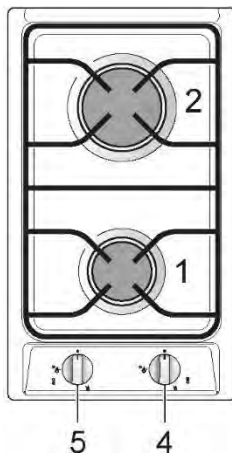
# Rady pro uživatele

# 1

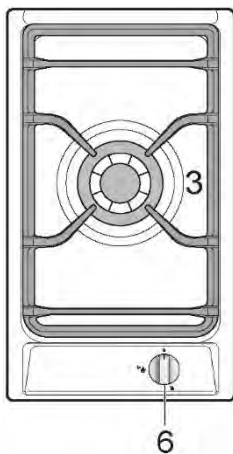
## VLASTNOSTI



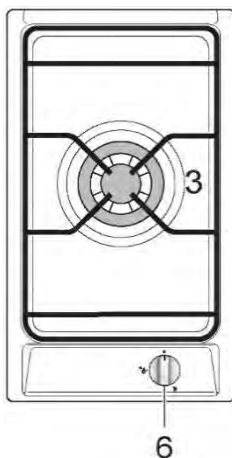
Obr. 1.1a



Obr. 1.1b



Obr. 1.2a



Obr. 1.2b

**Upozornění!**  
Nezakrývejte varnou desku hliníkovými fóliemi.

**POZNÁMKA:**  
Knoflíky a symboly se mohou lišit.

## **VARNÉ BODY**

- |                             |         |
|-----------------------------|---------|
| 1. Polorychlý hořák (SR)    | 1,75 kW |
| 2. Rychlý hořák (R)         | 3,00 kW |
| 3. Dvoukroužkový hořák (DC) | 3,80 kW |

## **POPIS OVLÁDACÍHO PANELU**

4. Ovládací knoflík rychlého hořáku (2)
5. Ovládací knoflík polorychlého hořáku (1)
6. Ovládací knoflík dvoukroužkového hořáku (3)

## **POZNÁMKA:**

- Elektrické zapalování je zabudováno do knoflíků.
- Spotřebič je vybaven systémem pojistných ventilů, průtok plynu se zastaví, pokud plamen neúmyslně zhasne.

## **POZOR:**

Pokud dojde k neúmyslnému zhasnutí hořáku, vypněte plyn u ovládacího knoflíku a počkejte alespoň 1 minutu, než se jej pokusíte znovu zapálit.

## **POZOR:**

Plynové varné desky produkují teplo a vlhkost v prostředí, ve kterém jsou instalovány. Zajistěte, aby prostor, kde vaříte, byl dobře větraný otevřením větracích mřížek pro přirozenou ventilaci nebo instalací odsavače připojeného k výstupnímu potrubí.

## **POZOR:**



Pokud se varná deska používá delší dobu, může být zapotřebí zajistit intenzivnější větrání otevřením okna nebo zvýšením sacího výkonu odsavače (je-li k dispozici).

## 2 PLYNOVÉ HOŘÁKY

### PLYNOVÉ HOŘÁKY

Průtok plynu do hořáků se nastavuje otáčením knoflíků (znázorněno na obr. 2.1), které ovládají pojistné ventily.

Otočením knoflíku tak, aby indikační čára ukazovala na symboly vytištěné na panelu, provedete následující:

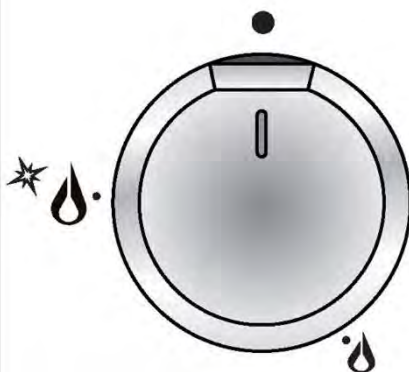
- symbol ● uzavřený ventil
  - symbol  maximální otvor nebo průtok
  - symbol  minimální otvor nebo průtok
- Maximální poloha otvoru umožňuje rychlé vaření tekutin, zatímco minimální poloha umožňuje pomalejší ohřev potravin nebo udržení bodu varu tekutin.
  - Chcete-li snížit průtok plynu na minimum, otočte knoflíkem dále proti směru hodinových ručiček, aby ukazatel směřoval k symbolu malého plamene.
  - Další provozní úpravy lze provést umístěním indikátoru mezi maximální a minimální polohu otvoru, ale nikdy mezi maximální otvor a uzavřenou polohu.

#### Upozornění!

Varná deska se během provozu velmi zahřívá.

Držte děti mimo dosah.

**POZNÁMKA:** Knoflík a symboly se mohou lišit.



Obr. 2.1

#### Upozornění!


**Nezakrývejte varnou desku hliníkovými fóliemi.**

**POZN.** Pokud varnou desku nepoužíváte, nastavte knoflíky plynu do zavřené polohy a také zavřete kohout na plynové láhvi nebo hlavním přírodním plynovém potrubí.



## ZAPÁLENÍ HOŘÁKŮ S BEZPEČNOSTNÍM VENTILEM

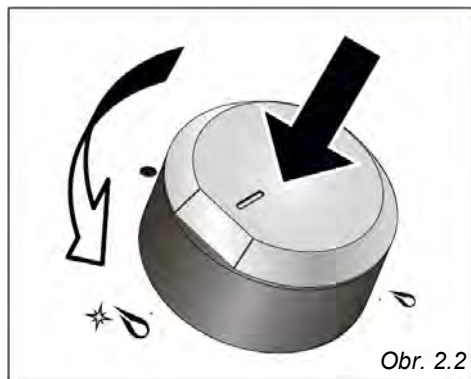
Při zapalování hořáku je třeba dodržovat následující pokyny:

1. stiskněte odpovídající knoflík a otočte jej proti směru hodinových ručiček (obr. 2.2) do polohy plného plamene označené symbolem  (obr. 2.1); knoflík držte, dokud plamen nezapálíte.  
V případě poruchy sítě zapalte hořák zápalkou nebo zapálenou třískou.
2. Po zapálení plynového hořáku počkejte několik sekund, než uvolníte knoflík (zpoždění aktivace ventilu).
3. Nastavte plynový ventil do požadované polohy.

Pokud z nějakého důvodu plamen hořáku zhasne, bezpečnostní ventil automaticky zastaví průtok plynu.

Chcete-li hořák znovu zapnout, vraťte knoflík do zavřené polohy „●“, **počkejte alespoň 1 minutu** a poté postup zapalování zopakujte.

**Poznámka:** Pokud váš místní přívod plynu ztěžuje zapálení hořáku s knoflíkem nastaveným na maximum, nastavte knoflík na minimum a krok opakujte.



## VOLBA HOŘÁKU

Na ovládacím panelu v blízkosti každého knoflíku je schéma, které ukazuje, který hořák daný knoflík ovládá.

Vhodný hořák vybírejte podle průměru a použité kapacity.

Hořáky a nádoby používejte v souladu s následujícími pokyny:

### PRŮMĚR NÁDOB, KTERÉ LZE POUŽÍT NA HOŘÁCÍCH

| HOŘÁKY         | MINIMÁLNÍ | MAXIMÁLNÍ  |
|----------------|-----------|------------|
| Polorychlý (*) | 16 cm     | 22 cm      |
| Rychlý         | 22 cm     | 26 cm      |
| Trojokružkový  | 24 cm     | 28 cm      |
| Wok            | -         | Max. 36 cm |

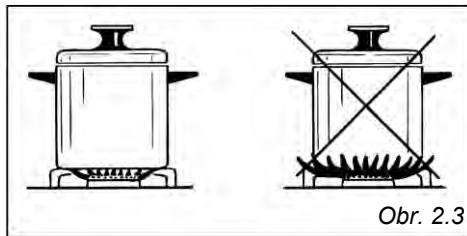
### nepoužívejte nádoby s vydutým nebo vypouklým dnem

(\*) s mřížkou pro malé nádoby: minimální průměr 6 cm (pouze pro modely dodávané s mřížkou pro malé nádoby)

Průměr nádoby by měl odpovídat potenciálu hořáku, aby nedocházelo k využívání vyššího výkonu, než je potřeba, a tedy plýtvání energií. Malá nádoba na velkém hořáku nepřivede pokrm k varu v kratším čase, protože kapacita absorpce tepla kapalné hmoty závisí na objemu a povrchu nádoby.

**POZOR:** Pro maximální stabilitu a vyšší účinnost se ujistěte, že jsou nádoby ve středu hořáku.

Ujistěte se, že nádoby nejsou v kontaktu s ovládacími knoflíky, jinak by je plamen mohl přehřát a trvale poškodit.



## POMOCNÝ ROŠT PRO MALÉ NÁDOBY (volitelné)

Tento rošt se umístí na (menší) pomocný hořák a pokládají se na něj menší nádoby, čímž se zabrání jejich převrácení.



Obr. 2.4

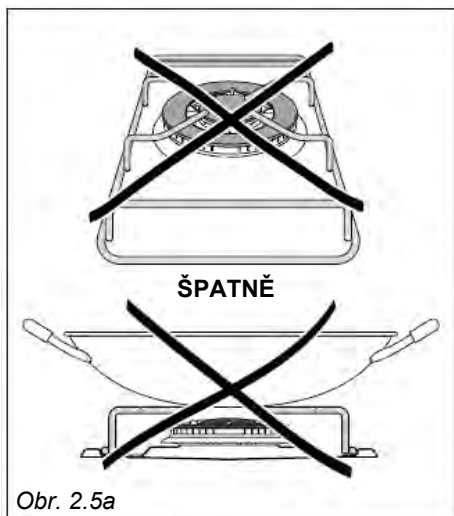
## SPRÁVNÉ POUŽITÍ DVOUKROUŽKOVÉHO HOŘÁKU – VOLITELNÉ

(pouze modely s dvoukroužkovým hořákem)

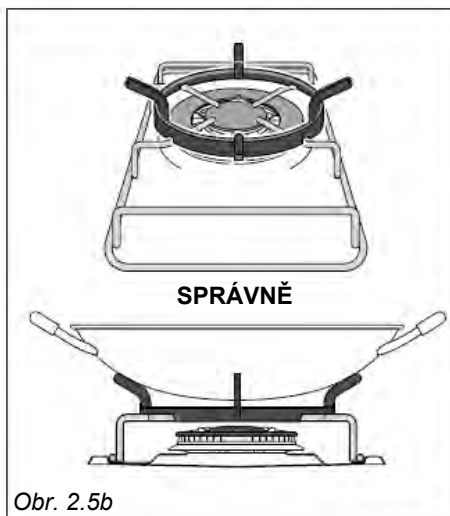
- Chcete-li použít pánve WOK, musíte na hořák umístit správný stojan (není-li adaptér na wok součástí balení spotřebiče, lze jej zakoupit dodatečně) a zabránit tak nesprávnému používání dvoukroužkového hořáku (obr. 2.5a – 2.5b – 2.6a – 2.6b).
- Nádoby s plochým dnem umístíte přímo na podpěru na pánve.

### DŮLEŽITÉ:

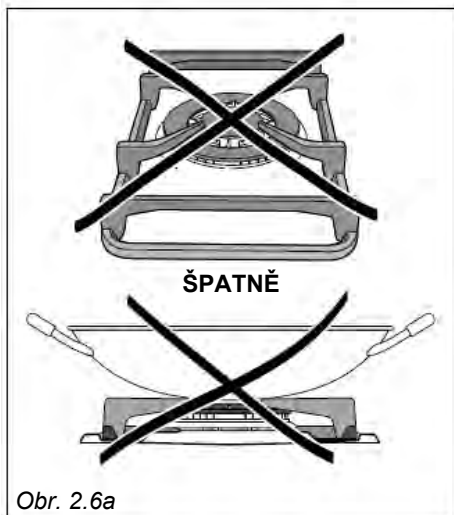
- Speciální mřížku pro pánve wok (obr. 2.5b – 2.6b) **POKLÁDEJTE POUZE** na opěrku dvoukroužkového hořáku.



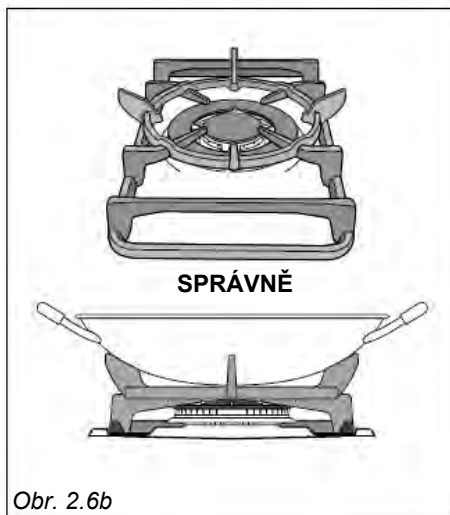
Obr. 2.5a



Obr. 2.5b



Obr. 2.6a



Obr. 2.6b

## VŠEOBECNÁ DOPORUČENÍ

- **Před čištěním se ujistěte, že je varná deska vypnutá.**
- Doporučujeme čistit spotřebič, když je studený, a to zejména při čištění smaltovaných částí.
- Všechny smaltované povrchy je třeba omýt mýdlovou vodou nebo jiným neabrazivním přípravkem, houbičkou a pokud možno osušit měkkým hadříkem.
- Nenechávejte na povrchu spotřebiče zásadité nebo kyselé látky (citronová šťáva, ocet atd.).
- **Nepoužívejte čisticí prostředky na bázi chlóru nebo kyseliny.**
- **Důležité: Při manipulaci nebo čištění tohoto spotřebiče se doporučuje používat vhodný ochranný oděv/rukavice.**
- **Za žádných okolností neodstraňujte žádné vnější kryty pro servis nebo údržbu, to smí provádět pouze kvalifikovaní pracovníci.**
- Čistěte povrchy vlhkým hadříkem a používejte jemné neutrální čisticí prostředky. Sušte je čistým, suchým hadříkem.
- **DŮLEŽITÉ:** Nepoužívejte žádné abrazivní přípravky (např. určité typy houbiček) a/ nebo agresivní přípravky (např. žíravá soda, přípravky obsahující žíravé látky), které by mohly způsobit nenapravitelné poškození povrchu.

## VAROVÁNÍ

**Při správné instalaci splňuje váš výrobek všechny bezpečnostní požadavky stanovené pro tento typ kategorie výrobků. Zvláštní pozornost však věnujte spodní části spotřebiče, protože tato oblast není určena k ručnímu ovládání a mohou se zde vyskytovat ostré nebo drsné hrany, které mohou způsobit zranění.**

## SMALTOVANÉ ČÁSTI

Všechny smaltované části čistěte pouze houbou a mýdlovou vodou nebo jinými neabrazivními přípravky.

Vysušte je nejlépe mikrovláknem nebo měkkým hadříkem.

Pokud kyselé látky, jako je citronová šťáva, rajčatový protlak, ocet atd., zůstanou na náteru příliš dlouho, rozleptají ho a zmatní.

## NEREZOVÉ POVRCHY

Nerezové části opláchněte vodou a osušte měkkým a čistým hadříkem.

V případě přetrvávajících nečistot použijte specifické neabrazivní výrobky, které jsou volně dostupné, nebo trochu horkého octa.

**Důležité: Výrobce odmítá veškerou odpovědnost za možné škody způsobené použitím nevhodných produktů k čištění spotřebiče.**

**Pozor! Spotřebič se velmi zahřívá, zejména v okolí varných prostor. Děti nikdy nenechávejte v kuchyni bez dozoru, když vaříte.**

**Nepoužívejte parní čistič, protože vlhkost se může dostat do spotřebiče a může vám hrozit nebezpečí.**

## LAKOVANÉ DÍLY A POVRCHY POTIŠTĚNÉ SÍTOTISKEM

Čistěte pomocí vhodného produktu. Vždy důkladně osušte.

**DŮLEŽITÉ:** tyto části je třeba velmi pečlivě vyčistit, aby nedošlo k poškrábání a oděru. Doporučujeme používat měkký hadřík a neutrální mýdlo.

**POZOR: Nepoužívejte abrazivní látky nebo jiné než neutrální čisticí prostředky, protože by nenapravitelně poškodily povrch.**

**Poznámka: Nepřetržité používání může způsobit změnu glazury kolem hořáků, odpovídající oblastem vystaveným teplu.**

## PLYNOVÉ KOHOUTKY

Nedovolte, aby se čisticí prostředky dostaly do kontaktu s ventily.

Pravidelné mazání plynových kohoutků smí provádět pouze odborní pracovníci.

V případě provozních závad na plynových kohoutcích se obraťte na servisní oddělení.

## HOŘÁKY A PODPĚRY NÁDOB

Tyto části je třeba čistit houbou a mýdlovou vodou nebo jinými vhodnými neabrazivními přípravky. Poté je vysušte měkkým hadrem.

**Varování! Není vhodné do myčky.**

Po vyčištění je třeba hořáky a jejich systém zapalování dobře vysušit a správně vyměnit.

Je velmi důležité zkontrolovat, zda jsou systém zapalování hořáku a víčko správně umístěné. Pokud tak neučiníte, může to způsobit vážné problémy.

Pro bezproblémové zapalování zkontrolujte, zda je elektroda „S“ (obr. 3.1, 3.3) vedle každého hořáku vždy čistá.

Zkontrolujte, zda je sonda „T“ (obr. 3.1, 3.3) vedle každého hořáku vždy čistá, čímž zajistíte správnou funkci bezpečnostních ventilů.

**Sonda i zapalovací svíčka musí být velmi pečlivě vyčištěné.**

**Poznámka: Pro zabránění poškození elektrického zapalování jej nepoužívejte, když nejsou hořáky na místě.**

**Poznámka: Nepřetržité používání může způsobit změnu glazury kolem hořáků a mřížek v místech vystavených teplu. Jedná se o přirozený jev, který nebrání správné funkci dílů.**

## SPRÁVNÁ VÝMĚNA POLORYCHLÉHO A RYCHLÉHO HOŘÁKU

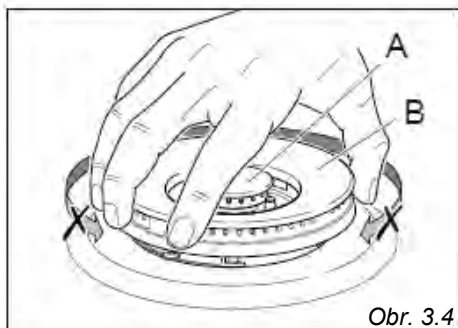
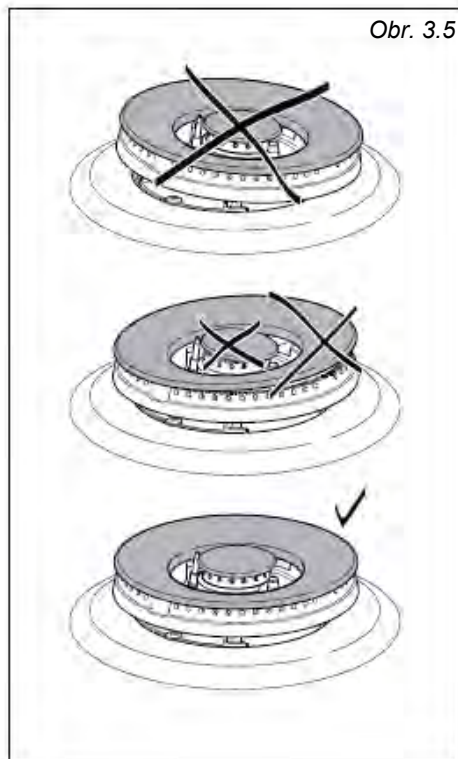
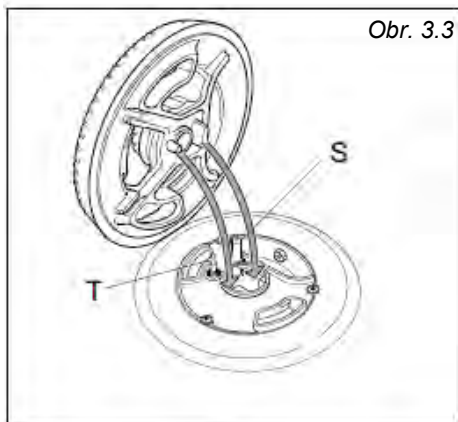
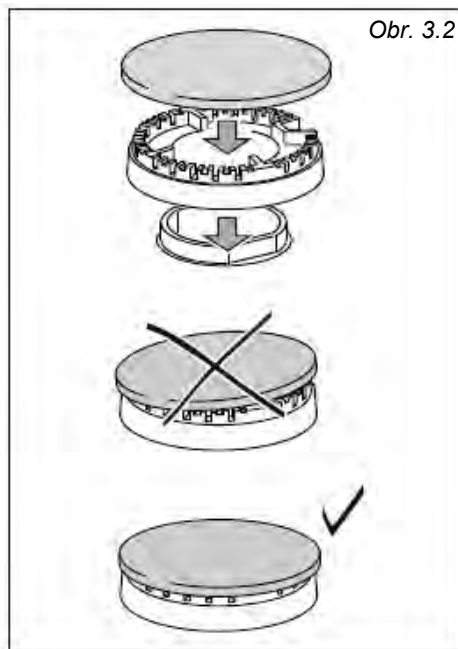
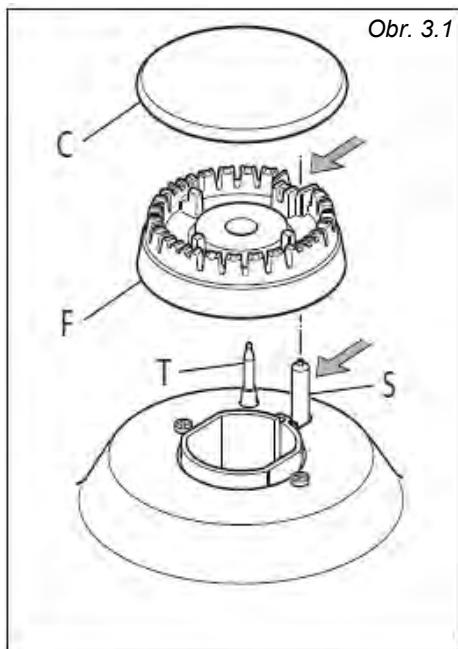
Je velmi důležité zkontrolovat, zda jsou rozvaděč plamene hořáku „F“ a víčko „C“ správně umístěné (viz obr. 3.1, 3.2) – pokud tak neučiníte, může to způsobit vážné problémy.

## SPRÁVNÁ VÝMĚNA DVOJITÉHO KROUŽKU (pouze u některých modelů)

Hořák musí být správně umístěn; pokud tak neučiníte, může to způsobit vážné problémy.

Připevněte systém zapalování ke krytu, jak je znázorněno šipkami (viz obr. 3.3, 3.4, 3.5).

Správně umístěný hořák se nesmí otáčet (obr. 3.5).



## **Estimado/a cliente/a:**

*Gracias por haber comprado y dado su preferencia a nuestro producto.*

*Las precauciones y recomendaciones de seguridad indicadas a continuación son para su propia seguridad y la de otros. También proporcionarán un medio para hacer pleno uso de las funciones que ofrece su electrodoméstico.*

*Por favor, conserve este folleto con cuidado. Puede ser útil en el futuro, ya sea para usted o para otros en caso de que surjan dudas relacionadas con su funcionamiento.*

***Este electrodoméstico solo debe utilizarse para la finalidad para la que se ha diseñado explícitamente, es decir, para cocinar alimentos. Cualquier otro uso debe considerarse inapropiado y, por lo tanto, peligroso.***

***El fabricante declina toda responsabilidad en caso de daños causados por un uso inadecuado, incorrecto o ilógico del electrodoméstico.***

## **DECLARACIÓN DE CONFORMIDAD CE**

- Este electrodoméstico se ha diseñado para usarse solo para cocinar. Cualquier otro uso (como calentar una habitación) es inadecuado y peligroso.
- Este electrodoméstico se ha diseñado, fabricado y comercializado de conformidad con:
  - Requisitos de seguridad del Reglamento (UE) 2016/426 sobre los aparatos de gas;
  - Requisitos de seguridad de la Directiva 2014/35/UE sobre baja tensión;
  - Requisitos de seguridad de la Directiva 2014/30/UE sobre CEM;
  - Requisitos de la Directiva 93/68/CEE;
  - Requisitos de la Directiva 2011/65/UE.



## PRECAUCIONES Y RECOMENDACIONES DE SEGURIDAD IMPORTANTES

**IMPORTANTE:** Este electrodoméstico está diseñado y fabricado únicamente para cocinar alimentos en un entorno doméstico (hogar), y no es adecuado para aplicaciones no domésticas, por lo que no debe utilizarse en un entorno comercial.

La garantía del electrodoméstico se invalidará si el aparato se utiliza en un entorno no doméstico, es decir, un entorno semicomercial, comercial o comunitario.

**Lea detenidamente las instrucciones antes de instalar y utilizar el electrodoméstico.**

- Este electrodoméstico se ha diseñado y fabricado de acuerdo con las normas aplicables para los productos de cocina doméstica, y cumple todos los requisitos de seguridad indicados en este manual, incluyendo los de las temperaturas de superficie.  
Algunas personas con piel sensible pueden tener una percepción de temperatura más pronunciada con algunos componentes, aunque estas partes están dentro de los límites permitidos por las normas.  
La seguridad total del aparato también depende del uso correcto, por lo que recomendamos siempre prestar una atención extrema al usar el producto, especialmente en presencia de niños.
- Después de desembalar el aparato, compruebe que no esté dañado.  
En caso de duda, no lo utilice y consulte a su proveedor o a un técnico cualificado.
- Los elementos del embalaje (p. ej. bolsas de plástico, espuma de poliestireno, clavos, correas de embalaje, etc.) no deben dejarse al alcance de los niños, ya que pueden causar lesiones graves.
- Algunos electrodomésticos se suministran con una película protectora sobre las piezas de acero y aluminio. **Esta película debe retirarse antes de usar el aparato.**
- **IMPORTANTE:** Se recomienda usar ropa y guantes de protección adecuados al manipular o limpiar este electrodoméstico.
- No intente modificar las características técnicas del aparato, ya que el uso de este podría resultar peligroso. El fabricante declina toda responsabilidad por cualquier inconveniente resultante de la inobservancia de esta condición.

- **PRECAUCIÓN:** Este electrodoméstico solo debe instalarse en una habitación con ventilación permanente, de conformidad con la normativa aplicable.
- No utilice el aparato con un temporizador externo o un sistema de control remoto independiente.
- No lleve a cabo operaciones de limpieza o mantenimiento del aparato sin que haya sido previamente desconectado de la fuente de alimentación eléctrica.
- No utilice un limpiador de vapor, porque la humedad puede penetrar en el aparato y hacer que este deje de ser seguro.
- No cubra la placa con papel de aluminio.
- No toque el aparato si tiene las manos (o los pies) mojados o húmedos.
- No use el aparato si está descalzo.
- Si decide dejar de utilizar este aparato (o sustituirlo por otro modelo), antes de eliminarlo, se recomienda que se deje inoperativo de manera apropiada de acuerdo con las normas de salud y protección del medio ambiente, garantizando en particular que todas las partes potencialmente peligrosas queden inofensivas, especialmente en relación con los niños que puedan jugar con los aparatos no utilizados.
- Los diferentes componentes del aparato son reciclables. Deséchelos de acuerdo con la normativa vigente en su país. Si va a desechar el aparato, retire el cable de alimentación.
- Después de su uso, asegúrese de que los mandos/controles estén en la posición de apagado.
- Los niños menores de 8 años deben mantenerse alejados del electrodoméstico, a menos que estén constantemente vigilados.
- Este electrodoméstico puede ser utilizado por niños a partir de 8 años y por personas con capacidades físicas, sensoriales o mentales reducidas, o sin experiencia o conocimientos previos, siempre y cuando hayan sido supervisados o hayan recibido las instrucciones necesarias para un uso seguro, y comprendan los riesgos que esto implica. Los niños no deben jugar con este electrodoméstico. Las operaciones de limpieza y mantenimiento no deben dejarse en manos de niños sin supervisión.
- El fabricante declina toda responsabilidad por daños personales o materiales causados por un uso inadecuado o incorrecto del aparato.
- **ADVERTENCIA:** Durante el uso, el electrodoméstico y sus partes accesibles se calientan, y permanecen calientes durante algún tiempo después del uso.



- Debe prestarse atención para no tocar los elementos calientes de la placa.
- Para evitar quemaduras y escaldaduras, los niños pequeños deben mantenerse alejados.
- Asegúrese de que los cables eléctricos que conecten otros electrodomésticos en la proximidad de la placa de cocción no puedan entrar en contacto con esta.
- **ADVERTENCIA:** Dejar desatendida la placa de cocción mientras se cocina con grasa o aceite puede ser peligroso, y se podría originar un incendio. **NUNCA** intente apagar un incendio con agua; debe apagar el electrodoméstico y cubrir posteriormente la llama, p. ej., con una tapa o una manta contra incendios.
- **ADVERTENCIA:** Peligro de incendio: no almacene artículos sobre las superficies de cocción.
- **ADVERTENCIA:** Cuando el producto se instala correctamente, cumple todos los requisitos de seguridad establecidos para este tipo de categoría de producto. Sin embargo, se debe tener especial cuidado alrededor de la parte inferior del aparato, ya que esta zona no está diseñada o prevista para ser tocada, y puede contener bordes afilados o ásperos que pueden causar lesiones.
- **PRECAUCIÓN:** El proceso de cocción tiene que ser supervisado. Un proceso de cocción breve debe supervisarse constantemente.
- Si el cable de alimentación está dañado, solo debe ser reemplazado por un agente de servicio autorizado para evitar un peligro.
- Si el electrodoméstico no está equipado con un cable de alimentación y un enchufe, o con otros medios de desconexión de la red eléctrica que tengan una separación de contacto en todos los polos que permita una desconexión completa bajo condiciones de sobretensión de categoría III, se deben incorporar medios de desconexión en el cableado fijo de conformidad con las normas de cableado.
- **ADVERTENCIA:** El electrodoméstico y sus partes accesibles se calientan durante el uso.  
Debe prestarse atención para no tocar los elementos calientes. Los niños menores de 8 años deben mantenerse alejados del electrodoméstico, a menos que estén constantemente vigilados.

- **ADVERTENCIA:** Utilice solamente los protectores de placas diseñados por el fabricante del electrodoméstico de cocina o los indicados por el fabricante del electrodoméstico en las instrucciones de uso como protectores adecuados o los incorporados en el electrodoméstico. El uso de protectores inapropiados puede causar accidentes.

## **ETIQUETADO ENERGÉTICO/ECODISEÑO**

- Reglamento (UE) n.º 66/2014 de la Comisión (por el que se aplica la Directiva 2009/125/CE del Parlamento Europeo y del Consejo).

Referencia a los métodos de medición y cálculo utilizados para establecer el cumplimiento de los requisitos anteriores:

- Norma EN30-2-1 (placas de cocina: quemadores de gas).

## **USO DEL ELECTRODOMÉSTICO, CONSEJOS PARA AHORRAR ENERGÍA**

### **QUEMADORES DE GAS**

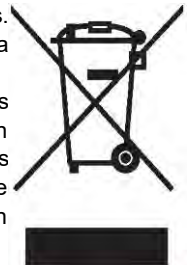
#### **DE LA PLACA DE COCCIÓN**

- Es importante que el diámetro del recipiente para cocinar sea adecuado a la potencia del quemador para no comprometer la alta potencia de los quemadores y no desperdiciar energía. Un recipiente pequeño sobre un quemador grande no alcanza el punto de ebullición en un tiempo reducido, ya que la capacidad de absorción de calor de una masa líquida depende del volumen y de la superficie del recipiente.
- Evite mantener un quemador encendido sin nada en él (sin recipiente).

## **INFORMACIÓN IMPORTANTE PARA LA CORRECTA ELIMINACIÓN DEL PRODUCTO DE CONFORMIDAD CON LA DIRECTIVA CE 2012/19/UE.**

Al final de su vida útil, el producto no debe eliminarse con los desechos urbanos. Debe llevarse a un centro especial de recogida diferenciada de residuos de la autoridad local o a un distribuidor que preste este servicio.

La eliminación de un electrodoméstico por separado evita posibles consecuencias negativas para el medio ambiente y la salud que derivan de la eliminación inadecuada, y permite recuperar los materiales constitutivos para obtener ahorros significativos en energía y recursos. Como recordatorio de la necesidad de desechar los electrodomésticos por separado, el producto está marcado con un contenedor de basura tachado.



# Consejos para el instalador

## ¡IMPORTANTE!

- El aparato está diseñado y aprobado únicamente para uso doméstico, y no debe instalarse en un entorno comercial, semicomercial o comunitario.  
**Su producto no estará garantizado si se instala en cualquiera de los entornos anteriores y podría afectar a cualquier seguro a terceros o de responsabilidad civil que pueda tener.**
- Este electrodoméstico debe ser instalado, regulado y adaptado para funcionar solo por una persona autorizada, de acuerdo con la normativa local vigente y en observación de las instrucciones suministradas por el fabricante.  
El incumplimiento de esta condición invalidará la garantía.
- El electrodoméstico debe instalarse conforme a la normativa vigente en su país y en observación de las instrucciones del fabricante.
- Los técnicos de instalación deberán cumplir las leyes vigentes en materia de ventilación y evacuación de gases de escape.
- Una instalación incorrecta, por la que el fabricante no acepta ninguna responsabilidad, podría causar lesiones personales o daños.
- El mantenimiento de este aparato solo debe realizarse por personal autorizado.
- Desconecte siempre el aparato de la red eléctrica antes de realizar operaciones de mantenimiento o reparaciones.
- **Importante: Se recomienda el uso de ropa y guantes de protección adecuados al manipular o limpiar este electrodoméstico.**
- Estas placas están diseñadas para insertarse en encimeras de cocina de 600 mm de profundidad, con superficie de trabajo de 30 a 40 mm de grosor.
- El electrodoméstico debe colocarse en unidades resistentes al calor.
- Las paredes de las unidades no deben ser más altas que la superficie de trabajo y deben ser capaces de resistir temperaturas de 105 °C por encima de la temperatura ambiente.
- Señalamos que el adhesivo que une el laminado plástico al mueble debe soportar temperaturas no inferiores a 150 °C para evitar la delaminación.
- No instale el electrodoméstico cerca de materiales inflamables (p. ej. cortinas).

## ¡ADVERTENCIA!

Cuando el producto se instala correctamente, cumple todos los requisitos de seguridad establecidos para este tipo de categoría de producto. Sin embargo, se debe tener especial cuidado alrededor de la parte inferior del aparato, ya que esta zona no está diseñada o prevista para ser tocada, y puede contener bordes afilados o ásperos que pueden causar lesiones.

# 1

## INSTALACIÓN

### INFORMACIÓN TÉCNICA PARA EL INSTALADOR

- Para instalar la placa en el mueble de cocina hay que hacer un orificio con las dimensiones indicadas en la Fig. 1.1, teniendo en cuenta lo siguiente:
- Deberá existir un hueco de ventilación de 30 mm entre la parte inferior del aparato y cualquier armario, cajón o aparato.
- Si la base de la placa de cocción es accesible a través de un armario o cajón después de la instalación, no se necesita una barrera de protección térmica.
- Si la placa de cocción está instalada sobre un horno, los dos aparatos se conectarán al gas o a la red eléctrica con conexiones independientes.
- La placa debe mantenerse a no menos de 100 mm de cualquier pared lateral (del borde lateral del corte - Fig. 1.1).
- La placa debe instalarse al menos a 50 mm de la pared (del borde trasero del corte - Fig. 1.2).
- Debe haber una distancia de al menos 650 mm entre la placa y cualquier armario o campana extractora situados justo encima (véase la Fig. 1.1).

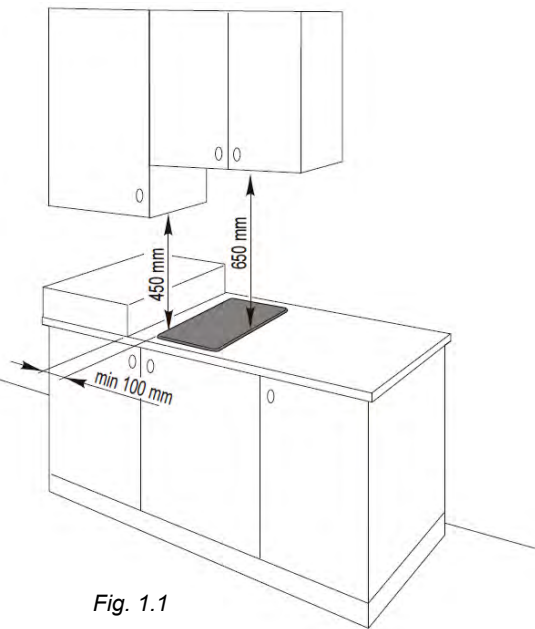


Fig. 1.1

**No instale el electrodoméstico cerca de materiales inflamables (p. ej. cortinas).**

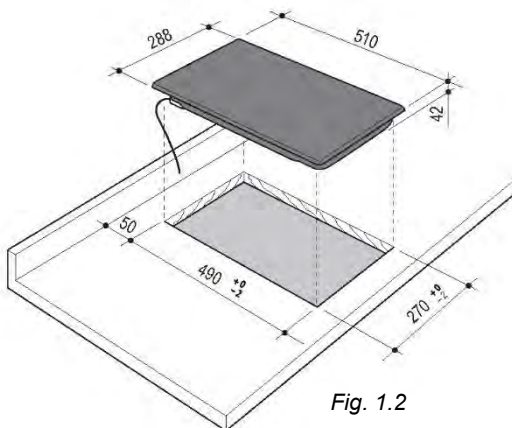


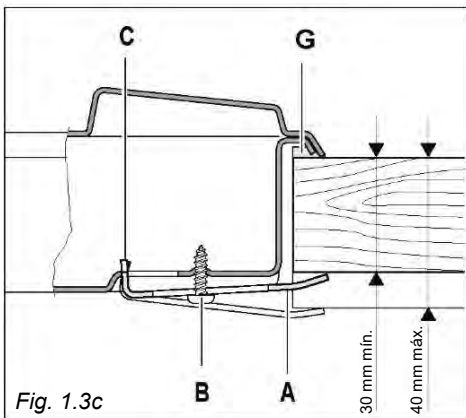
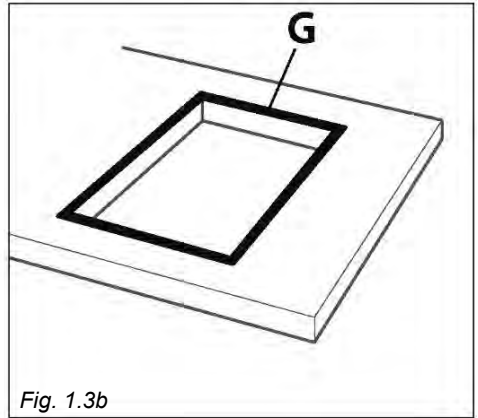
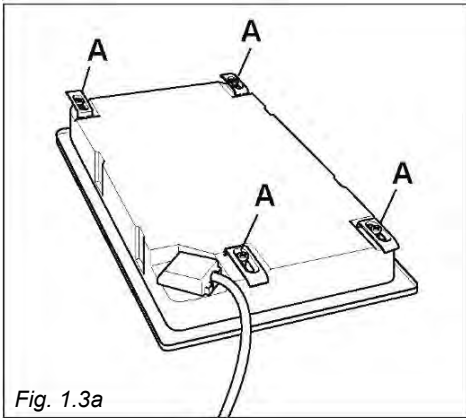
Fig. 1.2

## FIJACIÓN DE LA PLACA DE COCCIÓN (Fig. 1.3a, 1.3b, 1.3c)

Cada placa de cocción está equipada con un kit de instalación que incluye soportes y tornillos para fijar la placa a superficies de trabajo de 30 a 40 mm de grosor.

El kit incluye 4 pestañas «A» y 4 tornillos autorroscantes «B».

- Corte la unidad.
- Coloque la junta «G» sobre el borde del orificio realizado, teniendo cuidado de sobreponer los bordes de unión (Fig. 1.3b).
- Gire la placa de cocción y ponga las pestañas «A» (Fig. 1.3a) en los soportes, y apriete los tornillos «B» solo unos pocos giros. Asegúrese de que las pestañas estén montadas correctamente como se muestra en la Fig. 1.3c. Gire las pestañas para que la placa pueda colocarse en el orificio.
- Introduzca la placa de cocción en el orificio cortado en la unidad y colóquela correctamente.
- Coloque las pestañas «A» en su lugar. El diente «C» de las pestañas debería entrar en el orificio.
- Apriete los tornillos «B» hasta que la placa esté completamente asegurada.
- Con una herramienta afilada, corte la parte de la junta «G» que sobresale de la placa. Tenga cuidado de no dañar la encimera.



## REQUISITOS DE VENTILACIÓN

El electrodoméstico deberá instalarse conforme a las normas locales aplicables en materia de ventilación y evacuación de gases de escape.

El uso intensivo y prolongado puede requerir ventilación adicional, p. ej., abrir una ventana, o una ventilación más eficiente aumentando la potencia de la aspiración mecánica, en caso de estar instalada.

## ELECCIÓN DE UN ENTORNO ADECUADO

La habitación donde se vaya a instalar el aparato de gas deberá tener un flujo de aire natural de modo que el gas pueda arder (de acuerdo con las normas locales aplicables).

El flujo de aire deberá proceder directamente de una o varias aberturas realizadas en las paredes exteriores con un espacio libre de al menos 100 cm<sup>2</sup> (o según las normas locales aplicables).

Las aberturas deben estar cerca del suelo y preferiblemente en el lado opuesto a los gases de escape de los productos de combustión, y deberán realizarse de manera que no puedan ser bloqueadas desde el interior o desde el exterior.

Si no se pueden realizar estas aberturas, el aire necesario podrá provenir de una habitación adyacente que esté ventilada según se requiera, siempre y cuando no sea un dormitorio o una zona de peligro (de conformidad con las normas locales aplicables).

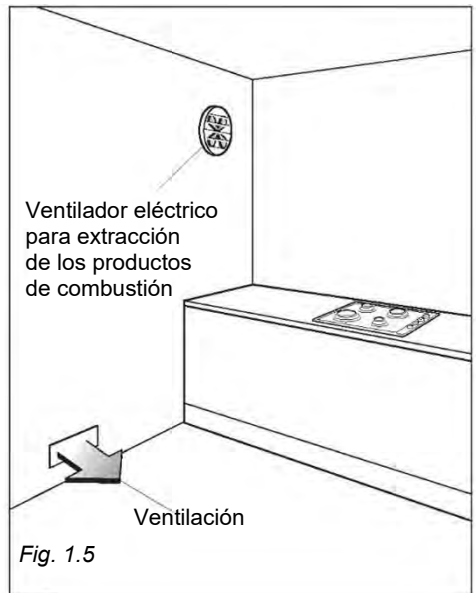
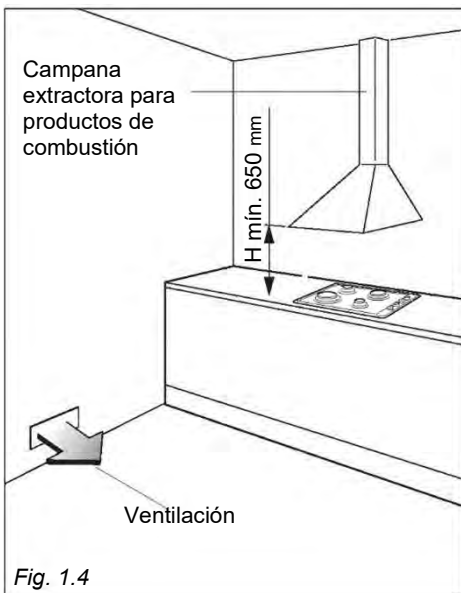
En este caso, la puerta de la cocina debe permitir el paso del aire.

## DESCARGA DE LOS PRODUCTOS DE COMBUSTIÓN

Se debe disponer de campanas extractoras conectadas directamente al exterior para poder descargar los productos de combustión del aparato de gas (Fig. 1.4).

Si esto no es posible, se puede utilizar un ventilador eléctrico, fijado a la pared exterior o a la ventana. El ventilador debe tener capacidad para hacer circular el aire a una tasa horaria de 3-5 veces el volumen total de la cocina (Fig. 1.5).

El ventilador solo puede instalarse si la habitación dispone de aberturas de ventilación adecuadas para permitir la entrada de aire, como se describe en el apartado «Elección de un entorno adecuado».



## REQUISITOS DE LA INSTALACIÓN DE GAS

### ¡Importante!

- Este electrodoméstico debe ser instalado y mantenido solo por un instalador debidamente cualificado y registrado. El instalador deberá observar las normas locales vigentes.
- Si no se instala correctamente el aparato, la garantía del fabricante puede quedar invalidada.
- Antes de la instalación, asegúrese de que las condiciones de distribución local (tipo de gas y presión) y el ajuste de este aparato sean compatibles. Las condiciones de ajuste del aparato se indican en la placa de características o en la etiqueta.
- Si la presión de gas (con la que se va a utilizar el aparato) es variable o no está dentro de los valores indicados en la placa de características, es obligatorio instalar un regulador de presión de gas adecuado que deberá ajustarse para garantizar la presión de funcionamiento correcta del aparato (según la placa de características). El regulador deberá ser instalado, ajustado y probado por un técnico cualificado.
- **ADVERTENCIA:** El uso del aparato con una presión de gas incorrecta o variable puede resultar extremadamente peligroso, y puede provocar lesiones graves para el usuario. Podrían ocurrir daños en el electrodoméstico si no se observa esta condición. El fabricante declina toda responsabilidad por cualquier inconveniente resultante de la inobservancia de esta condición.

Este aparato se suministra para el uso con gas natural o GLP (compruebe la etiqueta de regulación de gas fijada al aparato).

- Aparatos suministrados para el uso con gas natural: están ajustados únicamente para este gas y no pueden utilizarse con ningún otro gas (GLP) sin modificación. Los aparatos están fabricados para la conversión a GLP.
- Aparatos suministrados para el uso con GLP: están ajustados únicamente para este gas y no pueden utilizarse con ningún otro gas (gas natural) sin modificación. Los aparatos están fabricados para la conversión a gas natural.

Si el kit de conversión de gas natural/GLP no se suministra con el aparato podrá adquirirse a través del servicio posventa.

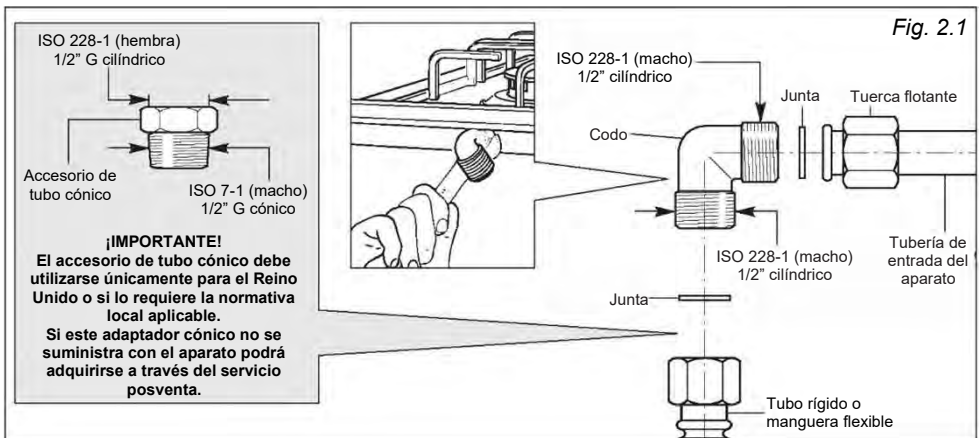
## CONEXIÓN DE LA PLACA DE COCCIÓN AL SUMINISTRO DE GAS

El accesorio de conexión de gas (Fig. 2.1) está compuesto por:

- tuerca flotante;
- codo;
- juntas;
- accesorio de tubo cónico, que se utilizará únicamente para el Reino Unido o si lo solicita la normativa local aplicable. En este caso, antes de conectar el electrodoméstico al suministro de gas, ajuste el accesorio de tubo cónico al codo interponiendo la junta. Si el accesorio de tubo cónico no se suministra con el electrodoméstico podrá adquirirse a través del servicio posventa.

**La conexión de gas debe ser realizada por una persona autorizada de acuerdo con las normas locales pertinentes.**

- Si se utiliza una manguera flexible, asegúrese de que no entre en contacto con partes móviles.
- La parte trasera del chasis está empotrada para proporcionar un canal para la tubería de entrada del aparato.
- El accesorio de conexión del gas se puede girar en la dirección requerida (pero nunca en posición vertical u horizontal) después de aflojar la conexión del codo y la tuerca flotante.
- Nunca intente girar el codo sin haber aflojado primero la tuerca flotante.
- Las juntas suministradas garantizan un buen sellado para la conexión de gas. Le recomendamos que sustituya las juntas ante el signo más leve de desgaste, deformación o imperfección.
- Después de la conexión a la red de gas, compruebe que los acoplamientos estén correctamente sellados utilizando solución jabonosa, pero nunca una llama abierta.





## REQUISITOS ADICIONALES DE LA CONEXIÓN DE GAS

Al conectar la placa de cocción al suministro de gas con tubos rígidos o con una manguera flexible, asegúrese de lo siguiente:

- Está utilizando tubos rígidos o una manguera flexible conformes a la normativa local aplicable. La manguera flexible es adecuada para el tipo de gas que se está utilizando y del tamaño correcto para mantener la salida de calor del aparato.
- La conexión con tubos metálicos rígidos no está causando tensión o presión a la tubería de gas.
- La manguera flexible no está sometida a tensión, ni retorcida, acodada o doblada con demasiada fuerza, mientras la placa de cocción está en uso ni mientras se conecta o desconecta.
- La manguera flexible no mide más de 2000 mm (o según las regulaciones locales aplicables) y no entra en contacto con bordes afilados, esquinas o piezas móviles, ya que podrían provocar abrasión. Utilice únicamente una manguera flexible; nunca conecte la placa con más de una manguera flexible.
- La manguera flexible puede inspeccionarse fácilmente en toda su longitud para comprobar su estado; si tiene fecha de caducidad, debe sustituirse antes de esa fecha.
- Si utiliza una manguera flexible que no sea completamente de metal, asegúrese de que no entre en contacto con ninguna parte de la placa de cocción con una temperatura superficial de 70 °C o superior (o consulte la normativa local aplicable).
- La tubería rígida o la manguera flexible deberán sustituirse si muestran signos de daño.
- La manguera flexible no está sometida a calor excesivo por exposición directa a productos de combustión o por contacto con superficies calientes.
- La toma en la que encaja el conector de la manguera flexible está permanentemente unida a una tubería de la instalación de gas firmemente fijada y está colocada de manera que la manguera cuelga libremente hacia abajo.
- El conector de la manguera flexible es accesible después de la instalación, de modo que pueda ser desconectado para su servicio o retirada.
- Ha informado al cliente de que el tubo rígido o la manguera flexible no deben estar sometidos a corrosión por productos de limpieza.

# MANTENIMIENTO DEL GAS

Para la categoría de gas, compruebe la etiqueta de datos adjunta al aparato.

| TABLA PARA ELECCIÓN DE LOS INYECTORES                      |                       |                        |                                 |                              |
|--|-----------------------|------------------------|---------------------------------|------------------------------|
| <b>Cat.: II 2H 3+</b><br><b>(Países IT-ES-PT-GB-SI-CZ)</b> |                       |                        | <b>G30/G31</b><br>28-30/37 mbar | <b>G20</b><br>20 mbar        |
| <b>Cat.: II 2E+3+</b><br><b>(Países FR)</b>                |                       |                        | <b>G30/G31</b><br>28-30/37 mbar | <b>G20/G25</b><br>20/25 mbar |
| <b>Cat.: II 2H3B/P</b><br><b>(Países HR-RO-SI-CZ)</b>      |                       |                        | <b>G30/G31</b><br>30/30 mbar    | <b>G20</b><br>20 mbar        |
| QUEMADORES   | Potencia nominal [kW] | Potencia reducida [kW] | Ø inyector [1/100 mm]           | Ø inyector [1/100 mm]        |
| Semirrápido (SR)   | 1,75                  | 0,45                   | 66                              | 101                          |
| Rápido (R)   | 3,00                  | 0,75                   | 87                              | 129                          |
| Doble anillo (DR)  | 3,80                  | 1,50                   | 98                              | 141                          |

| VENTILACIÓN NECESARIA PARA LA COMBUSTIÓN DEL GAS = (2 m <sup>3</sup> /h x kW) |   |
|---|---|
| QUEMADORES  | Aire necesario para la combustión [m <sup>3</sup> /h] |
| Semirrápido (SR)  | 3,50  |
| Rápido (R)  | 6,00  |
| Doble anillo (DR)   | 7,60  |

## LUBRICACIÓN DE LAS LLAVES DE GAS

En caso de dificultad en el manejo de las llaves de gas, llame al Servicio técnico.

## IMPORTANTE

Toda intervención relativa a la instalación, mantenimiento y conversión del aparato deberá realizarse con piezas de fábrica originales.

El fabricante declina toda responsabilidad derivada del incumplimiento de esta obligación.

## SUSTITUCIÓN DE LOS INYECTORES

Seleccione los inyectores para reemplazar de acuerdo con la «Tabla para elección de los inyectores».

Los diámetros de la boquilla, expresados en centésimas de milímetro, están marcados en el cuerpo de cada inyector.

**Si los inyectores no están suministrados, pueden obtenerse a través del Centro de Servicio.**

Quemadores semirrápidos y rápidos

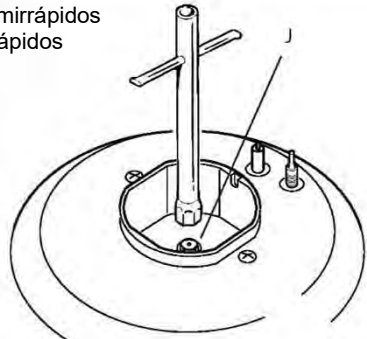


Fig. 2.2

## SUSTITUCIÓN DE LOS INYECTORES DE LOS QUEMADORES DE LA PLACA

Para reemplazar los inyectores proceda de la siguiente manera:

- Retire los soportes para los recipientes para cocinar y los quemadores de la placa de cocción.
- Usando una llave, sustituya los inyectores de boquilla «J» (Fig. 2.2, 2.3) por los más adecuados para el tipo de gas con el que se van a utilizar.

**Los quemadores están concebidos de manera que no requieren la regulación del aire primario.**

Quemador de doble anillo

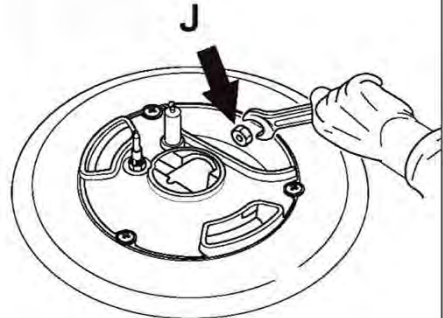


Fig. 2.3

## AJUSTE AL MÍNIMO DE LOS QUEMADORES DE LA PLACA

En la posición mínima, la llama deberá tener una longitud de unos 4 mm y deberá permanecer encendida incluso con un giro rápido desde la posición máxima hasta la mínima.

El ajuste de la llama se realiza de la siguiente manera:

- Encienda el quemador.
- Gire la llave a la posición de MÍNIMO.
- Retire el mando.
- Con un pequeño destornillador plano, gire el tornillo «A» a la regulación correcta (Fig. 2.4).

**Normalmente para G30/G31 (GLP) se aprieta el tornillo de regulación.**

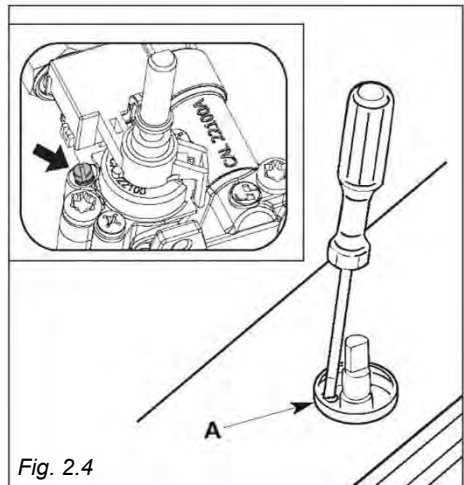


Fig. 2.4

**IMPORTANTE:** El electrodoméstico debe ser instalado por un técnico cualificado de acuerdo con la normativa local vigente y de conformidad con las instrucciones del fabricante. Una instalación incorrecta puede causar lesiones y daños a personas, animales u objetos, por los que el fabricante no acepta ninguna responsabilidad.

La conexión a un buen sistema de cableado a tierra es absolutamente esencial. El fabricante no acepta ninguna responsabilidad por los inconvenientes causados por el incumplimiento de esta norma.

Antes de realizar cualquier trabajo en la sección eléctrica del aparato, debe desconectarse de la red eléctrica.

## GENERAL

- La conexión a la fuente de alimentación eléctrica debe ser llevada a cabo por un técnico cualificado y siguiendo las normas de seguridad adecuadas.
- El electrodoméstico debe conectarse a la red eléctrica comprobando que la tensión corresponda al valor indicado en la placa de características y que las secciones de cable eléctrico puedan soportar la carga especificada en la placa.
- Si la placa se suministra sin enchufe, ajuste un enchufe estándar adecuado para la potencia absorbida por el aparato y de conformidad con las normas locales en vigor.
- Es posible que los colores de los hilos del cable de alimentación del aparato no se correspondan con los colores marcados en los terminales de su enchufe eléctrico. El enchufe siempre debe cablearse como sigue:
  - conecte el cable verde/amarillo al terminal marcado con la letra «E» o el símbolo de tierra « $\perp$ », o de color verde/amarillo;
  - conecte el cable azul al terminal marcado con la letra «N» o de color negro;
  - conecte el cable marrón al terminal marcado con la letra «L» o de color rojo.
- El enchufe debe conectarse a una toma conectada a la unidad de conexión a tierra de conformidad con las normas de seguridad.
- Si el aparato debe conectarse directamente a la red eléctrica, deberá colocarse con un interruptor omnipolar con una abertura mínima entre los contactos de 3 mm entre el aparato y la red eléctrica.
- El cable de alimentación no debe tocar las piezas calientes y debe colocarse de manera que no supere los 50 °C por encima de la temperatura ambiente.
- Una vez instalado el electrodoméstico, el interruptor de alimentación o el enchufe deben estar siempre en una posición accesible.
- Si el cable de alimentación está dañado, debe sustituirse por un cable adecuado disponible en el servicio posventa.
- El electrodoméstico deberá tener su propia alimentación; cualquier otro aparato instalado cerca de él debe alimentarse por separado.
- **NOTA: Para la conexión a la red eléctrica, no utilice adaptadores, reductores o dispositivos de derivación, ya que pueden provocar un sobrecalentamiento y combustión.**
- **Si la superficie de la placa está agrietada, desconecte el electrodoméstico de la red eléctrica y póngase en contacto con el servicio posventa.**

En caso de que la instalación requiera modificaciones en el sistema de cableado de suministro eléctrico, se recomienda que un técnico cualificado lleve a cabo la sustitución.

El técnico también tendrá que verificar que la sección transversal de los cables eléctricos de la toma de corriente coincida con la potencia del aparato.

## SUSTITUCIÓN DEL CABLE DE ALIMENTACIÓN

**ADVERTENCIA:** Si el cable de alimentación está dañado, solo debe ser reemplazado por un agente de servicio autorizado para evitar un peligro.

Use el mismo tipo de cable de alimentación.

Este cable debe conectarse al bloque de terminales siguiendo el diagrama de la Fig. 3.1.

**NOTA:** El conductor de tierra debe dejarse unos 3 cm más largo que los otros.

Las operaciones deben ser ejecutadas por un técnico cualificado.

## SECCIÓN DEL CABLE DE ALIMENTACIÓN

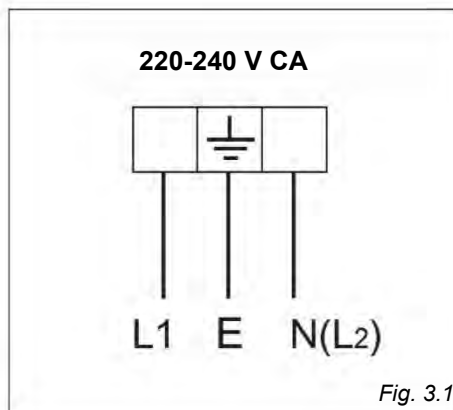
**TIPO «H05V2V2-F»**

**(resistente a temperaturas de 90 °C)**

220-240 V    50-60 Hz                    3 x 0,75 mm<sup>2</sup> (\*) (\*\*)

(\*) Conexión posible con enchufe y toma.

(\*\*) Conexión con caja de pared.





# Consejos para los usuarios

# 1

## CARACTERÍSTICAS

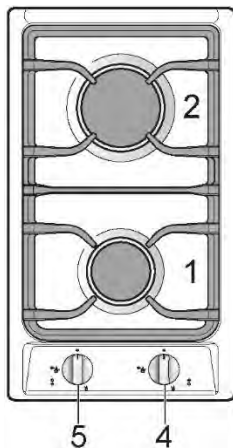


Fig. 1.1a

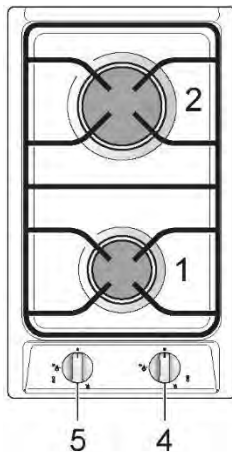


Fig. 1.1b

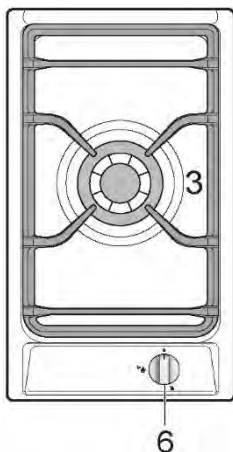


Fig. 1.2a

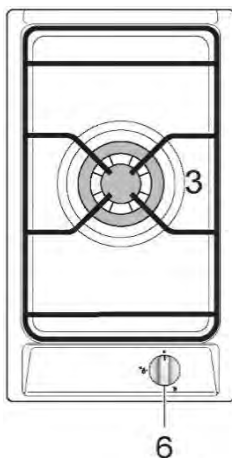


Fig. 1.2b

**¡Precaución!**  
No cubra la placa con papel de aluminio.

**NOTA:**  
Los mandos y símbolos pueden variar.



## **PUNTOS DE COCCIÓN**

1. Quemador semirrápido (SR) 1,75 kW
2. Quemador rápido (R) 3,00 kW
3. Quemador de doble anillo (DR) 3,80 kW

## **DESCRIPCIÓN DEL PANEL DE CONTROL**

4. Mando de control del quemador rápido (2)
5. Mando de control del quemador semirrápido (1)
6. Mando de control del quemador de doble anillo (3)

### **NOTA:**

- El encendido eléctrico está incorporado en los mandos.
- El aparato dispone de un sistema de válvulas de seguridad instalado. El flujo de gas se interrumpirá si la llama se apaga accidentalmente.

### **PRECAUCIÓN:**

Si el quemador se apaga accidentalmente, apague el gas con el mando de control y espere al menos 1 minuto antes de intentar volver a encenderlo.

### **PRECAUCIÓN:**

Las placas de gas producen calor y humedad en el entorno en que se instalan. Asegúrese de que el área de cocción esté bien ventilada abriendo las rejillas de ventilación natural o instalando una campana extractora conectada a un conducto de salida.

### **PRECAUCIÓN:**

Si la placa se utiliza durante un tiempo prolongado, puede ser necesario proporcionar una mayor ventilación abriendo una ventana o aumentando la potencia de aspiración de la campana extractora (si está instalada).

## 2 QUEMADORES DE GAS

### QUEMADORES DE GAS

El flujo de gas a los quemadores se regula girando los mandos (ilustrados en la Fig. 2.1) que controlan las válvulas de seguridad.

Girando el mando, de modo que la línea indicadora apunte a los símbolos impresos en el panel, se obtienen las siguientes funciones:

- símbolo ● válvula cerrada
- símbolo  apertura o flujo máximos
- símbolo  apertura o flujo mínimos

- La posición de apertura máxima permite la ebullición rápida de líquidos, mientras que la posición de apertura mínima permite un calentamiento más lento de los alimentos o mantener las condiciones de ebullición de los líquidos.
- Para reducir el flujo de gas al mínimo, gire el mando hacia la izquierda hasta que el indicador apunte hacia el símbolo de llama pequeña.
- Otros ajustes de funcionamiento intermedio se pueden realizar colocando el indicador entre las posiciones de apertura máxima y mínima, y nunca entre las posiciones de apertura máxima y de cerrado.

NOTA: Los mandos y símbolos pueden variar.

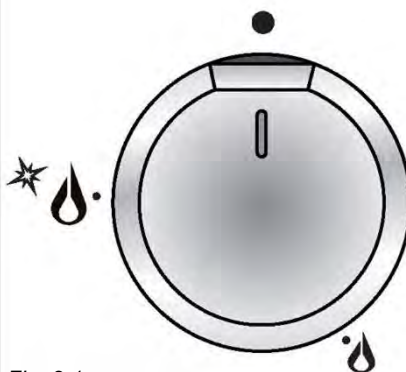


Fig. 2.1

**¡Precaución!**

**No cubra la placa con papel de aluminio.**

**¡Precaución!**


**La placa de cocción se calienta mucho durante el funcionamiento.**

**Mantenga a los niños alejados.**

**NOTA: Cuando la placa no se esté utilizando, coloque los mandos del gas en sus posiciones cerradas y cierre la válvula de la botona de gas o de la línea de suministro de gas.**

## QUEMADORES DE GAS CON ENCENDIDO ELÉCTRICO EQUIPADOS CON UN DISPOSITIVO DE VÁLVULA DE SEGURIDAD

Para encender el quemador, se deben seguir las siguientes instrucciones:

1. Pulse el mando correspondiente y gire en sentido contrario a las agujas del reloj (Fig. 2.2) hasta la posición de llama completa marcada por el símbolo  (Fig. 2.1); mantenga pulsado el mando hasta que la llama se haya encendido.  
En caso de fallo de la red eléctrica, encienda el quemador con una cerilla o con un mechero.
2. Espere unos segundos después de que el quemador de gas se haya encendido antes de soltar el mando (retraso de activación de la válvula).
3. Ajuste la válvula de gas a la posición deseada.

Si la llama del quemador se apaga por alguna razón, la válvula de seguridad detendrá automáticamente el flujo de gas.

Para volver a encender el quemador, vuelva a poner el mando en la posición de cerrado «●», **espere al menos 1 minuto** y luego repita el procedimiento de encendido.

**Nota:** Si su suministro de gas local hace difícil encender el quemador con el mando ajustado al máximo, ajústelo al mínimo y repita la operación.

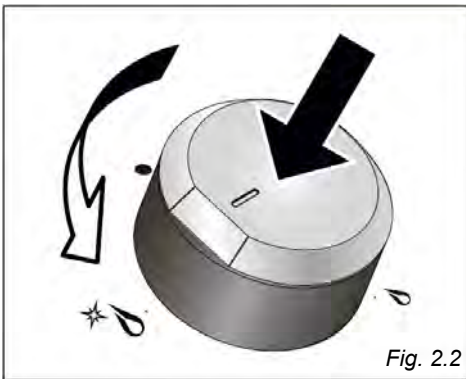


Fig. 2.2

## ELECCIÓN DEL QUEMADOR

En el panel de control, cerca de cada mando hay un diagrama que indica qué quemador es controlado por ese mando.

El quemador adecuado debe elegirse según el diámetro y la capacidad utilizada.

Los quemadores y los recipientes para cocinar deberán utilizarse de conformidad con las instrucciones siguientes:

### DIÁMETROS DE LOS RECIPIENTES PARA COCINAR QUE PUEDEN UTILIZARSE EN LOS QUEMADORES

| QUEMADORES      | MÍNIMO | MÁXIMO     |
|-----------------|--------|------------|
| Semirrápido (*) | 16 cm  | 22 cm      |
| Rápido          | 22 cm  | 26 cm      |
| Triple anillo   | 24 cm  | 28 cm      |
| Wok             | -      | Máx. 36 cm |

**No utilice recipientes para cocinar con bases cóncavas o convexas.**

(\*) Con rejilla para recipientes pequeños: diámetro mínimo 6 cm (solo para los modelos suministrados con rejilla para recipientes pequeños).

Es importante que el diámetro del recipiente para cocinar sea adecuado a la potencia del quemador para no comprometer la alta potencia de los quemadores y no desperdiciar energía. Un recipiente pequeño sobre un quemador grande no alcanza el punto de ebullición en un tiempo más corto, ya que la capacidad de absorción de calor de una masa líquida depende del volumen y de la superficie del recipiente.

**PRECAUCIÓN:** Asegúrese de que los recipientes estén centrados en el quemador para la máxima estabilidad y mayor eficiencia.

Asegúrese de que los recipientes no estén en contacto con los mandos de control, de lo contrario la llama podría sobrecalentar los mandos y dañarlos de forma permanente.

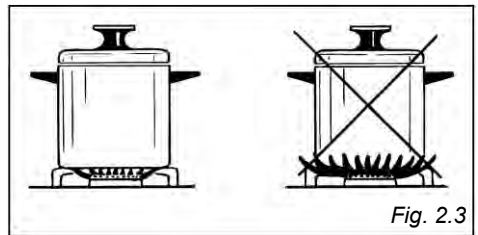
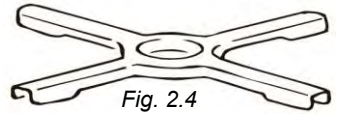


Fig. 2.3

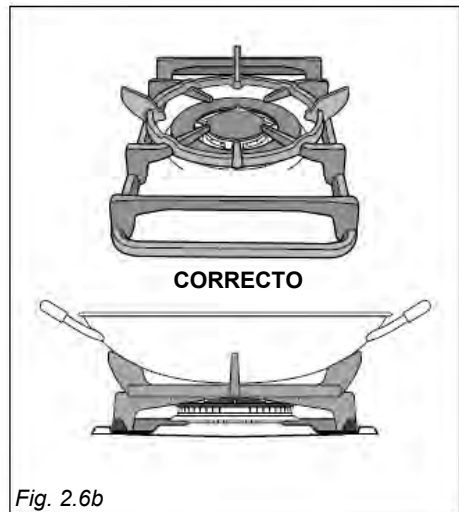
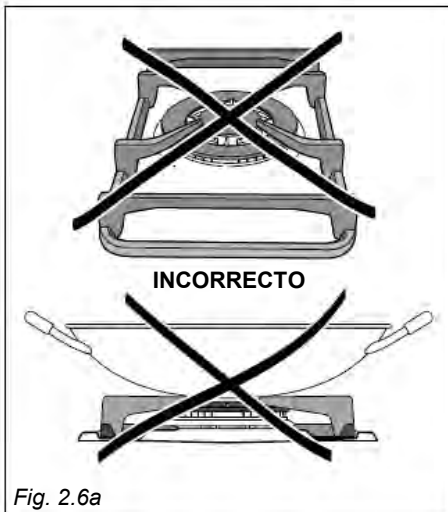
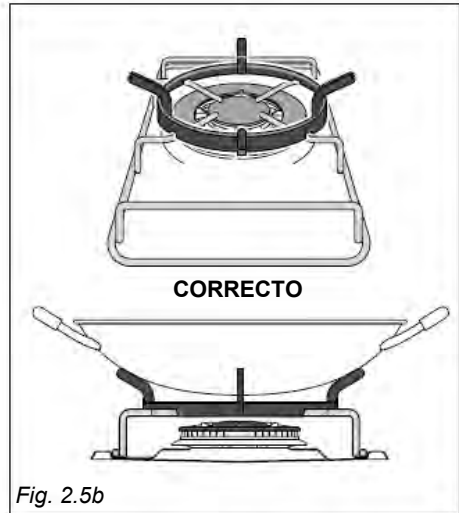
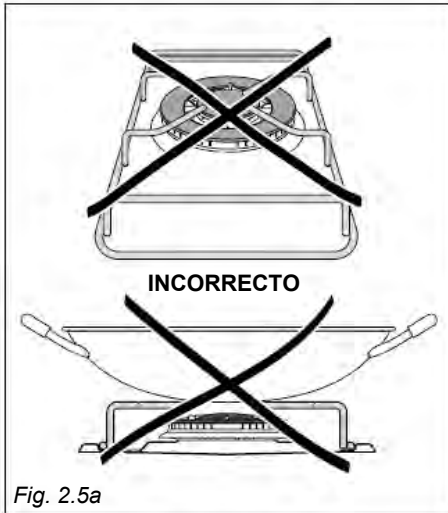
## REJILLA AUXILIAR PARA RECIPIENTES PEQUEÑOS (Opcional)

Esta rejilla deberá colocarse sobre el quemador auxiliar (más pequeño) cuando se usen recipientes de pequeño diámetro, para evitar que se vuelquen.



## USO CORRECTO DEL QUEMADOR DE DOBLE ANILLO (OPCIONAL) (solamente modelos con quemador de doble anillo)

- Para utilizar el WOK es necesario colocar el soporte adecuado (si el adaptador de wok no viene con el aparato, está disponible como accesorio con un coste adicional) para evitar el funcionamiento defectuoso del quemador de doble anillo (Fig. 2.5a - 2.5b - 2.6a - 2.6b).
  - Los recipientes de fondo plano deben colocarse directamente en el soporte para recipientes.
- IMPORTANTE:**
- La rejilla especial para wok (Fig. 2.5b - 2.6b) **SOLO DEBE COLOCARSE** sobre el soporte para el quemador de doble anillo.



## CONSEJOS GENERALES

- **Antes de comenzar la limpieza, debe asegurarse de que la placa esté apagada.**
- Es aconsejable limpiar cuando el electrodoméstico esté frío, especialmente al limpiar las piezas esmaltadas.
- Todas las superficies esmaltadas tienen que lavarse con agua jabonosa u otros productos no abrasivos con una esponja, y deben secarse preferiblemente con un paño suave.
- Evite dejar sustancias alcalinas o ácidas (zumo de limón, vinagre, etc.) en las superficies.
- **No utilice productos de limpieza con base de cloro o ácido.**
- **Importante: Se recomienda el uso de ropa y guantes de protección adecuados al manipular o limpiar este electrodoméstico.**
- **En ningún caso se deberán retirar las cubiertas externas para el mantenimiento o servicio, excepto por personal cualificado adecuado.**
- Limpie las superficies con un paño húmedo y utilice productos de limpieza suaves y neutros. Seque con un paño limpio y seco.
- **IMPORTANTE:** No use productos abrasivos (p. ej., determinados tipos de esponjas) y/ o productos agresivos (p. ej., sosa cáustica, productos que contengan sustancias corrosivas), lo que podría provocar daños irreparables en la superficie.

## ADVERTENCIA

Cuando el producto se instala correctamente, cumple todos los requisitos de seguridad establecidos para este tipo de categoría de producto. Sin embargo, se debe tener especial cuidado alrededor de la parte inferior del aparato, ya que esta zona no está diseñada o prevista para ser tocada, y puede contener bordes afilados o ásperos que pueden causar lesiones.

## PIEZAS ESMALTADAS

Todas las piezas esmaltadas deben limpiarse únicamente con una esponja y agua jabonosa u otros productos no abrasivos.

Seque preferiblemente con un paño de microfibra o suave.

Si se dejan sustancias ácidas, como zumo de limón, conserva de tomate, vinagre, etc., sobre el esmalte durante mucho tiempo, lo grabarán, dejándolo opaco.

## SUPERFICIES DE ACERO INOXIDABLE

Las piezas de acero inoxidable deben enjuagarse con agua y secarse con un paño suave y limpio. Para la suciedad persistente, utilice productos específicos no abrasivos disponibles comercialmente o un poco de vinagre caliente.

**Importante: El fabricante declina toda responsabilidad por los posibles daños causados por el uso de productos inadecuados para limpiar el electrodoméstico.**

**¡Atención! El aparato se calienta mucho, principalmente alrededor de las zonas de cocción. Es muy importante que los niños no se dejen solos en la cocina cuando esté cocinando.**

**No utilice un limpiador de vapor, porque la humedad puede penetrar en el aparato y hacer que este deje de ser seguro.**

## PIEZAS PINTADAS Y SUPERFICIES SERIGRAFIADAS

Limpie usando un producto apropiado. Siempre seque a fondo.

**IMPORTANTE:** Estas piezas deben limpiarse con mucho cuidado para evitar arañazos y abrasiones. Se recomienda usar un paño suave y jabón neutro.

**PRECAUCIÓN:** No utilice sustancias abrasivas o detergentes no neutros, ya que estos dañarán irreparablemente la superficie.

**Nota:** El uso continuo puede provocar un cambio en el esmalte alrededor de los quemadores, correspondiente a las zonas expuestas al calor.

## LLAVES DE GAS

No permita que los productos de limpieza entren en contacto con las válvulas.

La lubricación periódica de las llaves de gas deberá realizarse únicamente por personal especializado. En caso de averías de funcionamiento en las llaves de gas, llame al departamento de Servicio.

## QUEMADORES Y SOPORTES PARA RECIPIENTES

Estas piezas deben limpiarse con una esponja y agua jabonosa u otros productos no abrasivos adecuados. Séquelas con un paño suave.

**¡Advertencia! No apto para lavavajillas.**

Después de la limpieza, los quemadores y sus distribuidores de llama deben secarse bien y volver a colocarse correctamente.

Es muy importante comprobar que el distribuidor de llama del quemador y la tapa se hayan colocado correctamente. No hacerlo puede causar problemas graves.

Compruebe que el electrodo «S» (Fig. 3.1, 3.3) junto a cada quemador esté siempre limpio para garantizar una chispa sin problemas.

Compruebe que la sonda «T» (Fig. 3.1, 3.3) junto a cada quemador esté siempre limpia para garantizar el correcto funcionamiento de las válvulas de seguridad.

**Tanto la sonda como el conector de encendido deben limpiarse con mucho cuidado.**

**Nota:** Para evitar daños en el encendido eléctrico, no lo utilice cuando los quemadores no estén colocados.

**Nota:** El uso continuo puede provocar un cambio en el esmalte alrededor de los quemadores y rejillas, correspondiente a las zonas expuestas al calor. Se trata de un fenómeno natural y no impide que las partes funcionen correctamente.

## COLOCACIÓN CORRECTA DEL QUEMADOR SEMIRRÁPIDO Y RÁPIDO

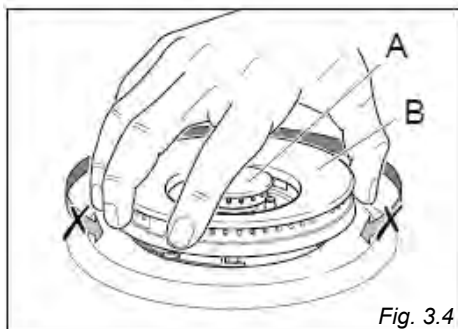
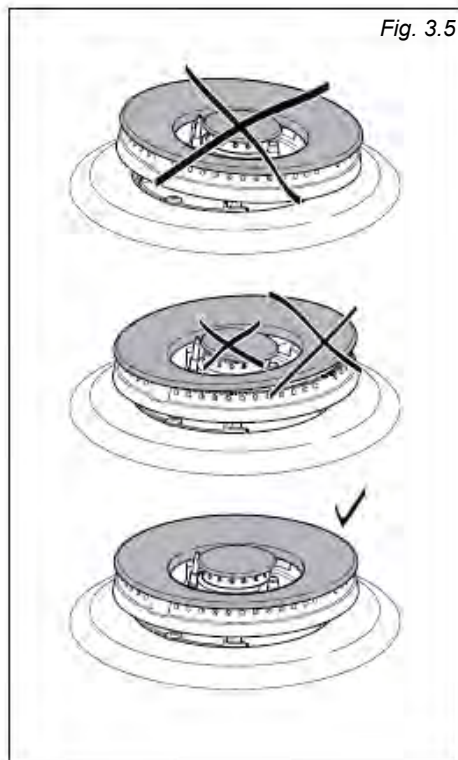
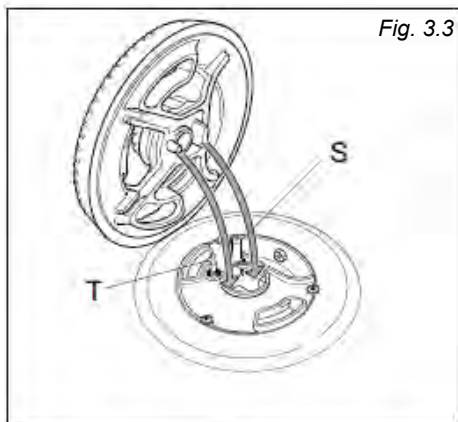
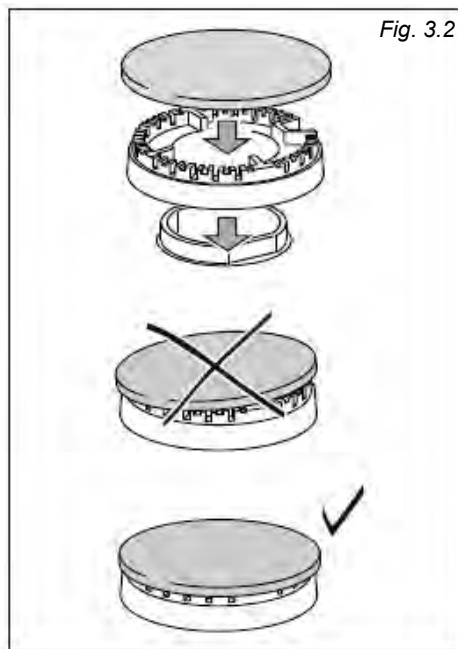
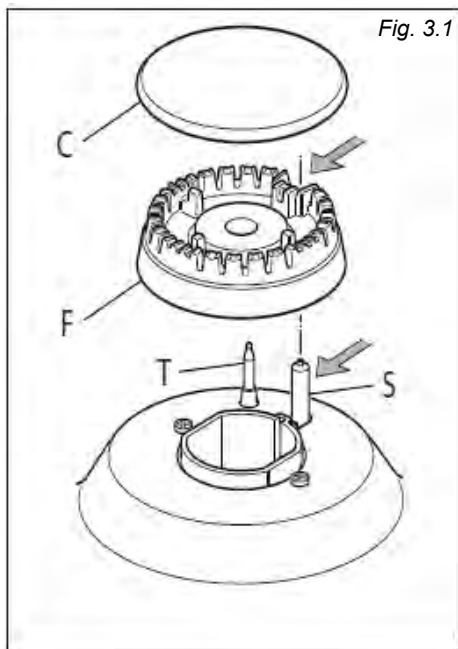
Es muy importante comprobar que el distribuidor de llama del quemador «F» y la tapa «C» se hayan colocado correctamente (véanse las Fig. 3.1, 3.2). No hacerlo puede causar problemas graves.

## COLOCACIÓN CORRECTA DEL QUEMADOR DE DOBLE ANILLO (solo en algunos modelos)

El quemador debe colocarse correctamente. No hacerlo puede causar problemas graves.

Ajuste el distribuidor de llama en su alojamiento como muestran las flechas (véanse las Fig. 3.3, 3.4, 3.5).

El quemador correctamente colocado no debe girar (Fig. 3.5).



## Poštovani korisniče,

*Hvala što ste kupili i dali prednost našem proizvodu.*

*Sigurnosne mjere opreza i preporuke navedene u nastavku odnose se na vašu sigurnost i sigurnost drugih osoba. Također će pružiti način na koji možete u potpunosti iskoristiti značajke koje nudi uređaj.*

*Pažljivo čuvajte ovu knjižicu. Može biti korisna u budućnosti vama ili drugima u slučaju da se pojave sumnje u vezi s njegovim radom.*

***Ovaj uređaj smije se koristiti samo za zadatke za koje je izričito namijenjen, odnosno za pripremanje hrane. Bilo koji drugi oblik upotrebe smatrat će se neprikladnim i stoga opasnim.***

***Proizvođač odbija svaku odgovornost u slučaju oštećenja uzrokovanog nepravilnom, nepravilnom ili nelogičnom upotrebom uređaja.***

## IZJAVA O CE SUKLADNOSTI

- Ovaj uređaj predviđen je za upotrebu samo za kuhanje. Bilo koja druga upotreba (kao što je grijanje prostorije) neprimjerena je i opasna.
- Ovaj uređaj projektiran je, izrađen i stavljen na tržište u skladu s:
  - Sigurnosni zahtjevi propisa o „plinu” (EU) 2016/426;
  - Sigurnosni zahtjevi direktive 2014/35/EU za „niski napon”;
  - Sigurnosni zahtjevi direktive o „EMC” 2014/30/EU;
  - Zahtjeve EU direktive 93/68/EEZ;
  - Zahtjevi EU direktive 2011/65/EU.





## VAŽNE SIGURNOSNE MJERE OPREZA I PREPORUKE

**VAŽNO:** Ovaj uređaj projektiran je i izrađen isključivo za kuhanje hrane u kućanstvu (kućanske) i nije prikladan ni za koju primjenu izvan kućanstva pa se stoga ne smije upotrebljavati u komercijalnom okruženju.

Jamstvo za uređaj bit će nevažeće ako se uređaj upotrebljava u okruženju koji nije kućno, tj. u polukomercijalnom, komercijalnom ili komunalnom okruženju.

**Pažljivo pročitajte upute prije ugradnje i upotrebe uređaja.**

- Ovaj je uređaj dizajniran i proizveden u skladu s važećim standardima za kućanske proizvode za kuhanje i ispunjava sve sigurnosne zahtjeve prikazane u ovom priručniku, uključujući one za površinske temperature.  
Neki ljudi s osjetljivom kožom mogu imati izraženiji doživljaj temperature na nekim komponentama, iako su ti dijelovi unutar granica dopuštenih normama.  
Potpuna sigurnost uređaja ovisi i o pravilnoj upotrebi, stoga preporučujemo da uvijek obratite iznimnu pozornost tijekom upotrebe proizvoda, posebno u prisutnosti djece.
- Provjerite je li uređaj oštećen nakon što ga raspakirate.  
Ako niste sigurni, nemojte ga koristiti i potražite savjet dobavljača ili stručno osposobljenog tehničara.
- Ambalažni elementi (npr. plastične vrećice, polistirenska pjena, čavli, remenje za pakiranje itd.) ne smiju se ostavljati u blizini djece jer mogu uzrokovati ozbiljne ozljede.
- Neki uređaji isporučuju se sa zaštitnom folijom na čeličnim i aluminijskim dijelovima. **Tu foliju uklonite prije upotrebe uređaja.**
- **VAŽNO:** Pri rukovanju ili čišćenju uređaja preporučuje se upotreba odgovarajuće zaštitne odjeće/rukavica.
- Nemojte pokušavati mijenjati tehničke karakteristike uređaja jer zbog toga uređaj može postati opasan za upotrebu. Proizvođač

odbacuje svu odgovornost za bilo kakve neugodnosti koje proizlaze iz nepoštivanja ovog uvjeta.

- **OPREZ:** ovaj se dodatak smije instalirati samo u trajno prozračivanoj prostoriji u skladu s važećim propisima.
- Nemojte rukovati uređajem pomoću vanjskog tajmera ili zasebnog sustava za daljinsko upravljanje.
- Uređaj ne čistite i ne održavajte ako ga prethodno niste isključili iz napajanja električnom energijom.
- Nemojte koristiti parni čistač jer vlaga može dospjeti u uređaj, što ga čini nesigurnim.
- Ne pokrivajte ploču za kuhanje aluminijskom folijom.
- Uređaj nemojte dodirivati mokrim ili vlažnim rukama (ili stopalima).
- Nemojte koristiti uređaj dok ste bos.
- Ako prije zbrinjavanja odlučite da više ne koristite ovaj uređaj (ili da zamijenite drugi model), preporučujemo da ga stavite izvan upotrebe na prikladan način u skladu s propisima o zaštiti zdravlja i okoliša, posebno pazeći da svi potencijalno opasni dijelovi budu bezopasni, naročito u odnosu na djecu koja bi se mogla igrati nekorištenim uređajima.
- Različite komponente uređaja mogu se reciklirati. Zbrinite ih u skladu s propisima koji su na snazi u vašoj državi. Ako želite odbaciti uređaj, uklonite kabel napajanja.
- Nakon upotrebe provjerite jesu li regulatori/upravljački elementi u isključenom položaju.
- Djecu mlađu od 8 godina treba držati podalje osim ako nisu pod stalnim nadzorom.
- Ovaj uređaj mogu upotrebljavati djeca starija od 8 godina i osobe sa smanjenim fizičkim, osjetilnim ili mentalnim sposobnostima ili nedostatkom iskustva i znanja ako su pod nadzorom ili su dobili upute u vezi sa sigurnom upotrebom uređaja te ako shvaćaju povezane opasnosti. Djeca se ne smiju igrati uređajem. Djeca ne smiju čistiti niti održavati uređaj bez nadzora.
- Proizvođač odbacuje svaku odgovornost za tjelesne ozljede ili oštećenja imovine uzrokovana nepravilnom ili nepravilnom upotrebom uređaja.

- UPOZORENJE: Tijekom upotrebe uređaj i njegovi dostupni dijelovi postaju vrući i ostaju vrući neko vrijeme nakon upotrebe.
  - Obratite pozornost i ne dirajte grijaće elemente na ploči za kuhanje.
  - Malu djecu treba držati podalje kako bi se izbjegle opekotine.
- Pazite da električni kabeli koji povezuju druge uređaje u blizini ploče za kuhanje ne dođu u kontakt s pločom za kuhanje.
- UPOZORENJE: Kuhanje na ploči za kuhanje bez nadzora uz upotrebu masti ili ulja može biti opasno i može rezultirati požarom. NIKADA ne pokušavajte ugasiti vatru vodom, nego isključite uređaj i pokrijte plamen npr. poklopcem ili vatrootpornim pokrivačem.
- UPOZORENJE: Opasnost od požara: ne odlažite predmete na površine za kuhanje.
- UPOZORENJE: Kada je pravilno ugrađen, vaš proizvod ispunjava sve sigurnosne zahtjeve utvrđene za tu vrstu proizvoda. Međutim, treba biti posebno oprezan oko donjeg dijela uređaja jer ovo područje nije dizajnirano ili namijenjeno dodiru i može sadržavati oštre ili grube rubove koji mogu uzrokovati ozljede.
- OPREZ: Postupak kuhanja mora se nadzirati. Kratkotrajno kuhanje mora se neprestano nadzirati.
- Ako je kabel napajanja oštećen, smije ga zamijeniti samo ovlašteni serviser kako bi se izbjegla opasnost.
- Ako uređaj nije opremljen kabelom za napajanje i utikačem ili nekim drugim sredstvom za odspajanje s mrežnog napajanja sa zasebnim kontaktom na svim polovima koji omogućuju potpuno odspajanje u uvjetima prenapona iz kategorije III, u uputama će biti navedeno da je potrebno ugraditi sredstvo za odspajanje na fiksno ožičenje u skladu s pravilima ožičavanja.
- UPOZORENJE: Uređaj i pripadajući dostupni dijelovi postaju vrući tijekom upotrebe.  
 Obratite pozornost i ne dirajte grijače.  
 Djecu mlađu od 8 godina treba držati podalje osim ako nisu pod stalnim nadzorom.

- **UPOZORENJE:** Upotrebljavajte samo štitnike ploče za kuhanje proizvođača uređaja za kuhanje ili one za koje proizvođač uređaja navede u uputama da su pogodne ili štitnike ploče za kuhanje priložene uz uređaj. Upotrebom neodgovarajućih štitnika mogu se prouzrokovati nesreće.

## **OZNAKE ENERGETSKE UČINKOVITOSTI / EKOLOŠKI DIZAJN**

- Uredba Komisije (EU) br. 66/2014 (o provedbi Direktive 2009/125/EZ Europskog parlamenta i Vijeća).

Upućivanje na metode mjerenja i izračuna koje se koriste za utvrđivanje sukladnosti s gore navedenim zahtjevima:

- Standard EN30-2-1 (ploče za kuhanje: plinski plamenici).

## **UPOTREBA UREĐAJA, SAVJETI ZA UŠTEDU ENERGIJE**

### **PLOČA ZA KUHANJE**

#### **PLINSKI PLAMENICI**

- Važno je da promjer posude bude prikladan potencijalu plamenika i snazi plamenika kako ne bi došlo do gubitka energije. Mala posuda na velikom plameniku ne stvara vrelište u kraćem vremenskom razdoblju jer kapacitet apsorpcije topline tekuće mase ovisi o volumenu i površini posude.
- Plamenik nemojte držati uključenim ako na njemu nema ničega (ako nema posude).

## **VAŽNE INFORMACIJE ZA PRAVILNO ODLAGANJE PROIZVODA U SKLADU S DIREKTIVOM EZ 2012/19/EZ.**

Na kraju radnog vijeka, proizvod se ne smije odlagati kao gradski otpad. Mora se odnijeti u posebni lokalni centar za prikupljanje otpada ili trgovcu koji pruža ovu uslugu.

Odvojenim odlaganjem kućanskog uređaja izbjegavaju se moguće negativne posljedice za okoliš i zdravlje koje proizlaze iz neprimjerenog odlaganja i time se omogućuje oporavak sastavnih materijala kako bi se ostvarile značajne uštede u energiji i resursima. Proizvod nosi oznaku prekrižene kante za smeće na kotačima, što je podsjetnik na potrebu odvojenog zbrinjavanja kućanskih aparata.



# Savjet za instalatera

## VAŽNO:

- Uređaj je dizajniran i homologiran samo za kućnu upotrebu i ne smije se ugrađivati u komercijalno, polukomercijalno ili komunalno okruženje.  
**Proizvod nije obuhvaćen jamstvom ako je ugrađen u bilo kojem od gore navedenih okruženja i to bi moglo utjecati na bilo koje osiguranje treće strane ili osiguranje od javne odgovornosti koje imate.**
- Ovaj uređaj smije ugraditi, regulirati i prilagoditi za rad samo ovlaštena osoba u skladu s važećim lokalnim propisima i u skladu s uputama proizvođača.  
Nepoštivanje ovog uvjeta učinit će jamstvo nevažećim.
- Uređaj mora biti ugrađen u skladu s važećim propisima u vašoj državi sukladno uputama proizvođača.
- Tehničari za ugradnju moraju se pridržavati važećih zakona koji se odnose na ventilaciju i evakuaciju ispušnih plinova.
- Nepravilna ugradnja, za koju proizvođač ne preuzima nikakvu odgovornost, može uzrokovati ozljede ili oštećenja.
- Uređaj smije servisirati samo ovlašteno osoblje.
- Uvijek odspojite uređaj s mrežnog napajanja prije održavanja ili popravaka.
- **Važno: Pri rukovanju ili čišćenju ovog uređaja preporučuje se upotreba odgovarajuće zaštitne odjeće/rukavica.**
- Ti su vrhovi dizajnirani za ugradnju u kuhinjske elemente dubine 600 mm, radne površine debljine 30 do 40 mm.
- Uređaj mora biti smješten u jedinicama otpornim na toplinu.
- Stijenke uređaja ne smiju biti više od radne površine i moraju biti otporne na temperature 105 °C iznad sobne temperature.
- Napominjemo da ljepilo koje veže plastični laminat za namještaj mora izdržati temperature ne manje od 150 °C kako bi se izbjeglo raslojavanje.
- Ne postavljajte uređaj u blizini grijalica ili zapaljivih materijala (npr. zavjesa).

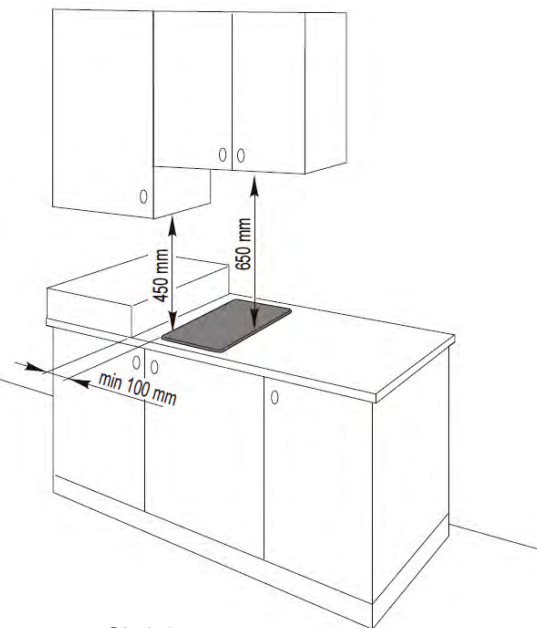
## UPOZORENJE!

Kada je pravilno ugrađen, vaš proizvod ispunjava sve sigurnosne zahtjeve utvrđene za tu vrstu proizvoda. Međutim, treba biti posebno oprezan oko donjeg dijela uređaja jer ovo područje nije dizajnirano ili namijenjeno dodiru i može sadržavati oštre ili grube rubove koji mogu uzrokovati ozljede.

# 1. UGRADNJA

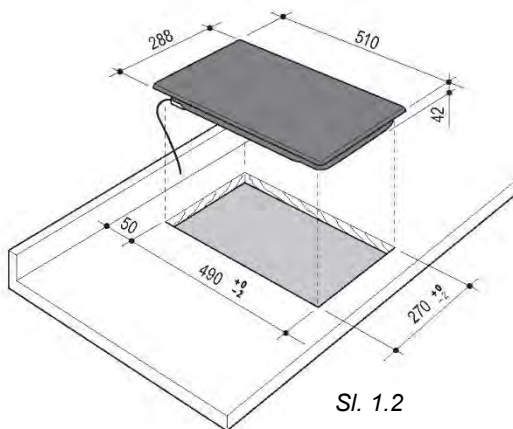
## TEHNIČKE INFORMACIJE ZA INSTALATERA

- Prije ugradnje ploče za kuhanje u kuhinjski element potrebno je napraviti rupu dimenzija prikazanih na slici 1.1, uzimajući u obzir sljedeće:
- Između dna uređaja i bilo kojeg ormarića, jedinice za izvlačenje ili uređaja mora biti osiguran razmak od 30 mm za potrebe ventilacije.
- Ako je podnožje ploče za kuhanje dostupno kroz ormarić ili prostor u ladici nakon ugradnje, nije potrebna toplinska zaštitna barijera.
- Ako je ploča za kuhanje postavljena iznad pećnice, dva uređaja moraju biti spojena na plinsko i/ili električno napajanje sa zasebnim priključcima.
- Ploča za kuhanje mora biti najmanje 100 mm udaljena od bilo kojeg bočnog zida (od bočnog ruba izreza - sl. 1.1).
- Ploča za kuhanje mora biti najmanje 50 mm udaljena od zida (od stražnjeg ruba izreza - sl. 1.2).
- Udaljenost između ploče za kuhanje i zidnog ormara ili nape za odvod zraka mora biti najmanje 650 mm (pogledajte sl. 1.1).



Sl. 1.1

**Ne postavljajte uređaj u blizini grijalica ili zapaljivih materijala (npr. zavjesa).**



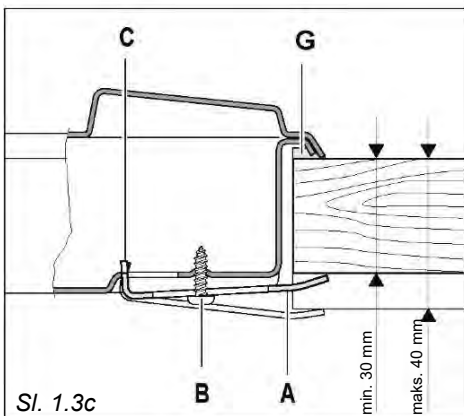
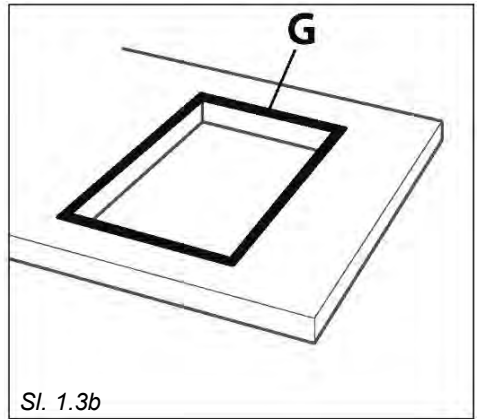
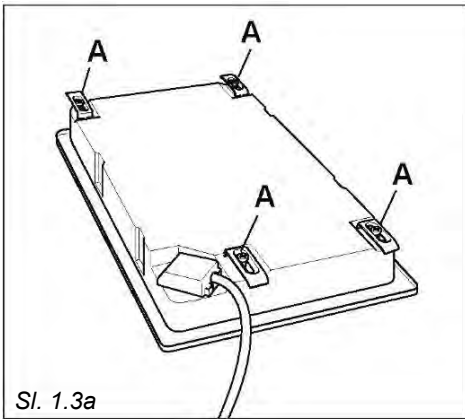
Sl. 1.2

## PRIČVRŠĆIVANJE PLOČE ZA KUHANJE (sl. 1.3a, 1.3b, 1.3c)

Svaka ploča za kuhanje opremljena je kompletom za ugradnju s nosačima i vijcima za pričvršćivanje ploče za kuhanje na radne stolove debljine od 30 do 40 mm.

Komplet sadrži 4 jezička „A“ i 4 samonavojna vijka „B“.

- Izrežite jedinicu.
- Razvucite brtvu „G“ preko ruba izrađenog otvora, pazeći da prekrijete rubove spoja (sl. 1.3b).
- Okrenite ploču za kuhanje i stavite jezičke „A“ (sl. 1.3a) u nosače, samo zategnite vijke „B“ za nekoliko okretaja. Provjerite jesu li jezički pravilno montirani kao što je prikazano na slici 1.3c. Okrenite jezičke tako da se ploča za kuhanje može staviti u otvor.
- Stavite ploču za kuhanje u otvor urezan u jedinicu i pravilno je postavite.
- Stavite jezičke „A“ na mjesto, pri čemu zub „C“ jezičaka treba ići u otvor.
- Zategnite vijke „B“ tako da je ploča za kuhanje potpuno pričvršćena.
- Oštirim alatom odrežite dio brtve „G“ koji viri iz ploče za kuhanje. Pazite da ne oštetite radnu površinu.



## ZAHTJEVI ZA VENTILACIJU

Uređaj mora biti ugrađen u skladu s važećim lokalnim propisima koji se odnose na ventilaciju i evakuaciju ispušnih plinova.

Intenzivna i dugotrajna upotreba može zahtijevati dodatnu ventilaciju, npr. otvaranje prozora ili učinkovitiju ventilaciju koja povećava mehaničku usisnu snagu, ako je ugrađena.

## ODABIR ODGOVARAJUĆEG OKRUŽENJA

Prostorija u kojoj će biti ugrađen plinski uređaj mora imati prirodni protok zraka kako bi plin mogao gorjeti (u skladu s važećim lokalnim propisima).

Zrak mora dolaziti izravno iz jednog ili više otvora napravljenih na vanjskim zidovima sa slobodnom površinom od najmanje 100 cm<sup>2</sup> (ili pogledajte važeće lokalne propise).

Otvori se moraju nalaziti u blizini poda i po mogućnosti na strani koja se nalazi nasuprot ispuha za produkte izgaranja i moraju biti izvedeni tako da ih nije moguće zapriječiti ni iznutra ni izvana.

Ako nije moguće izraditi te otvore, potreban zrak može dolaziti iz susjedne prostorije koja se po potrebi prozračuje, pod uvjetom da to nije spavaća soba ili područje opasnosti (u skladu s važećim lokalnim propisima).

U tom slučaju zrak mora prolaziti kroz kuhinjska vrata.

## ISPUŠTANJE PRODUKATA IZGARANJA

Mora biti isporučena napa za izvlačenje spojena izravno na vanjsku stranu kako bi bilo moguće ispuštanje produkata izgaranja plinskog uređaja (sl. 1.4).

Ako ono nije moguće, koristite električni ventilator pričvršćen na vanjski zid ili prozor. Ventilator treba imati kapacitet cirkuliranja zraka u satu koji je 3 do 5 puta veći od ukupnog volumena kuhinje (sl. 1.5).

Ventilator se može ugraditi samo ako prostorija ima odgovarajuće otvore koji omogućuju ulazak zraka, kao što je opisano u odjeljku „Odabir odgovarajućeg okruženja“.





## 2. PLINSKI DIO

### ZAHTRAJEVI ZA PLINSKU INSTALACIJU

#### Važno!

- Uređaj smije ugraditi i servisirati samo kvalificirani, registrirani instalater. Instalater se mora pridržavati lokalnih standarda koji su na snazi.
- Ako uređaj nije pravilno ugrađen, jamstvo proizvođača možda neće vrijediti.
- Prije ugradnje provjerite jesu li usklađeni lokalni uvjeti distribucije (vrsta plina i tlak) i podešenost uređaja. Uvjeti podešenosti uređaja navedeni su na pločici ili naljepnici.
- Ako je tlak plina (za koji će se uređaj koristiti) promjenjiv ili ako nije unutar vrijednosti navedenih na nazivnoj pločici, potrebno je postaviti odgovarajući regulator tlaka plina koji mora biti podešen tako da je zajamčen ispravan radni tlak uređaja (sukladno nazivnoj pločici).  
Regulator mora ugraditi, podesiti i ispitati kvalificirani tehničar.
- **UPOZORENJE:** Upotreba uređaja s pogrešnim i/ili promjenjivim tlakom plina može biti iznimno opasna i može dovesti do teških ozljeda korisnika. Ako se ne pridržavate ovog uvjeta, može doći do oštećenja uređaja.  
Proizvođač odbacuje svaku odgovornost za bilo kakve neugodnosti koje proizlaze iz nepridržavanja ovog uvjeta.

Uređaj se isporučuje za upotrebu na prirodnom plinu ili UNP-u (provjerite naljepnicu za regulaciju plina na uređaju).

- Uređaji koji se isporučuju za upotrebu na prirodnom plinu: prilagođeni su samo za taj plin i ne mogu se koristiti na bilo kojem drugom plinu (UNP) bez izmjene. Uređaji su proizvedeni za pretvorbu na UNP.
- Uređaji isporučeni za upotrebu na UNP-u: prilagođeni su samo za ovaj plin i ne mogu se koristiti na bilo kojem drugom plinu (prirodnom plinu) bez izmjene. Uređaji su proizvedeni za pretvorbu na prirodni plin.

Ako s uređajem nije isporučen komplet za pretvorbu na prirodni plin/UNP, taj komplet možete kupiti tako da se obratite ovlaštenom servisu.

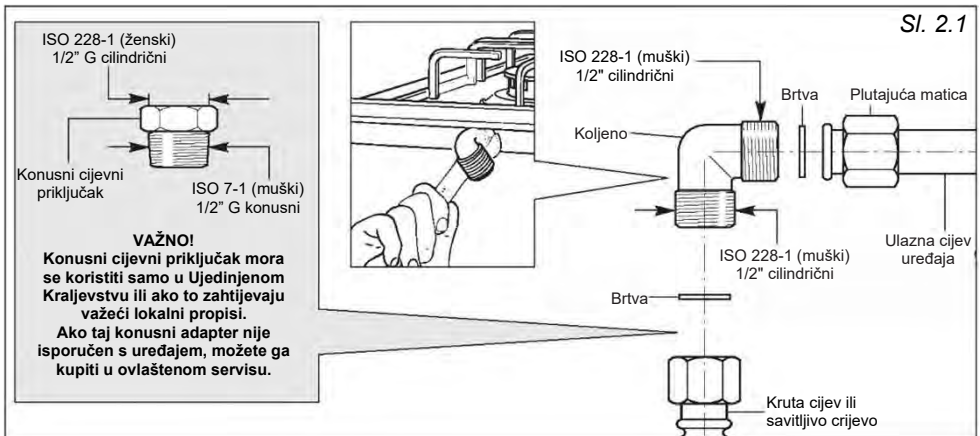
## SPAJANJE PLOČE ZA KUHANJE NA DOVOD PLINA

Priključak za plin (sl. 2.1) sastoji se od:

- plutajuće matice;
- koljena;
- brtvi;
- konusni cijevni priključak - koristi se samo u Ujedinjenom Kraljevstvu ili ako to zahtijevaju važeći lokalni propisi. U tom slučaju prije spajanja uređaja na dovod plina postavite konusni priključak za cijev na koljeno postavljeno prije brtve. Ako konusni cijevni priključak nije isporučen s uređajem, kupite ga u ovlaštenom servisu.

### Spajanje plina mora izvršiti ovlaštena osoba sukladno važećim lokalnim standardima.

- Ako koristite savitljivo crijevo, pazite da ne dođe u dodir s pokretnim dijelovima.
- Stražnji dio kućišta udubljen je kako bi poslužio kao kanal za ulaznu cijev uređaja.
- Priključak za plin može se okrenuti u željenom smjeru (ali nikada u okomit ili vodoravan položaj) nakon otpuštanja spoja koljena i plutajuće matice.
- Nikada ne pokušavajte okrenuti koljeno ako prethodno niste otpustili plutajuću maticu.
- Isporučene brtve jamče dobru hermetizaciju plinskog priključka. Preporučujemo da zamijenite brtve nakon najmanjeg znaka istrošenosti, izobličenosti ili nesavršenosti.
- Nakon spajanja na plinsku mrežu, provjerite jesu li spojnice pravilno zatvorene, koristeći sapunastu otopinu, ali nikada goli plamen.



## DODATNI ZAHTJEVI ZA SPAJANJE NA PLINSKU INSTALACIJU

Pri spajanju ploče za kuhanje na dovod plina krutim cijevima ili savitljivim crijevom, pobrinite se za sljedeće:

- Krute cijevi ili savitljivo crijevo koristite u skladu s važećim lokalnim propisima. Savitljivo crijevo mora biti odgovarajuće konstrukcije za vrstu plina koji se koristi i odgovarajuće veličine za održavanje toplinske snage uređaja.
- Korištenje krutih metalnih cijevi pri spajanju ne dovodi do naprezanja ili pritiska na plinske cijevi.
- Savitljivo crijevo nije napeto, uvijeno, iskrivljeno ili prejako savijeno, niti dok je ploča za kuhanje u upotrebi niti dok je spojena ili odvojena.
- Savitljivo crijevo nije dulje od 2000 mm (ili pogledajte važeće lokalne propise) i ne dolazi u dodir s oštrim rubovima, kutovima ili pokretnim dijelovima, jer oni mogu uzrokovati ogrebotine. Koristite samo jedno savitljivo crijevo. Nikad ne spajajte ploču za kuhanje koristeći više od jednog savitljivog crijeva.
- Savitljivo se crijevo može lako pregledati duž cijele duljine kako bi se provjerilo njegovo stanje. Ako ima rok upotrebe, treba ga zamijeniti prije tog datuma.
- Koristite li savitljivo crijevo koje nije u potpunosti izrađeno od metala, pazite da ne dođe u dodir s bilo kojim dijelom ploče za kuhanje s temperaturom površine od 70 °C ili više (ili se pridržavajte važećih lokalnih propisa).
- Krutu cijev ili savitljivo crijevo zamijenite ako uočite znakove oštećenja.
- Savitljivo crijevo nije osjetljivo na prekomjernu toplinu izravnim izlaganjem dimovodnim proizvodima ili dodiranjem s vrućim površinama.
- Utičnica u koju je priključak savitljivog crijeva trajno pričvršćen na čvrsto pričvršćenu plinsku instalacijsku cijev i postavljen tako da crijevo slobodno visi prema dolje.
- Utikač savitljivog crijeva dostupan je nakon ugradnje, tako da se može odspojiti radi servisiranja ili uklanjanja.
- Obavijestite korisnika da kruta cijev ili savitljivo crijevo ne smiju biti izloženi djelovanju sredstava za čišćenje koja stvaraju koroziju.

# ODRŽAVANJE PLINSKE INSTALACIJE

Kategoriju plina provjerite na naljepnici s podacima pričvršćenu na uređaju

| TABLICA ZA ODABIR INJEKTORA                                |                    |                     |                                     |                              |
|--|--------------------|---------------------|-------------------------------------|------------------------------|
| <b>Kat.: II 2H 3+</b><br><b>(Države IT-ES-PT-GB-SI-CZ)</b> |                    |                     | <b>G30/G31</b><br>28 - 30 / 37 mbar | <b>G20</b><br>20 mbar        |
| <b>Kat.: II 2E+3+</b><br><b>(Države FR)</b>                |                    |                     | <b>G30/G31</b><br>28 - 30 / 37 mbar | <b>G20/G25</b><br>20/25 mbar |
| <b>Kat.: II 2H3B/P</b><br><b>(Države HR-RO-SI-CZ)</b>      |                    |                     | <b>G30/G31</b><br>30/30 mbar        | <b>G20</b><br>20 mbar        |
| PLAMENICI  | Nazivna snaga [kW] | Smanjena snaga [kW] | Ø injektora [1/100 mm]              | Ø injektora [1/100 mm]       |
| Polubrzi (SR)  | 1,75               | 0,45                | 66                                  | 101                          |
| Brzi (R)   | 3,00               | 0,75                | 87                                  | 129                          |
| Dvostruki prsten (DR)                                      | 3,80               | 1,50                | 98                                  | 141                          |

| OTVOR ZA ZRAK POTREBAN ZA IZGARANJE PLINA = (2 m <sup>3</sup> /h x kW) |  |
|--|--|
| PLAMENICI  | Zrak potreban za izgaranje [m <sup>3</sup> /h] |
| Polubrzi (SR)  | 3,50   |
| Brzi (R)   | 6,00   |
| Dvostruki prsten (DR)  | 7,60   |

## PODMAZIVANJE PLINSKIH SLAVINA

Nazovite servis u slučaju poteškoća u radu plinskih slavina.

## VAŽNO

Sve intervencije u pogledu ugradnje, održavanja i pretvorbe uređaja moraju se provoditi upotrebom izvornih tvorničkih dijelova.

Proizvođač odbija bilo kakvu odgovornost koja proizlazi iz nepoštivanja ove obveze.

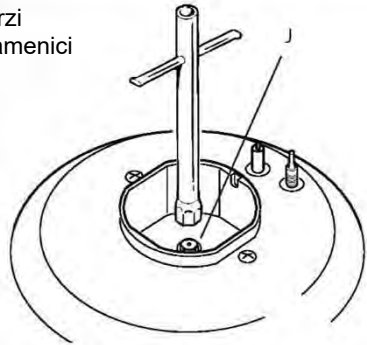
## ZAMJENA INJEKTORA

Odaberite injektore koje treba zamijeniti u skladu s „Tablicom za odabir injektora“.

Promjeri mlaznica izraženi u stotim dijelovima milimetara označeni su na tijelu svakog injektora.

**Ako injektori nisu isporučeni, nabavite ih u „Servisnom centru“.**

Polubrzi  
i brzi  
plamenici



Sl. 2.2

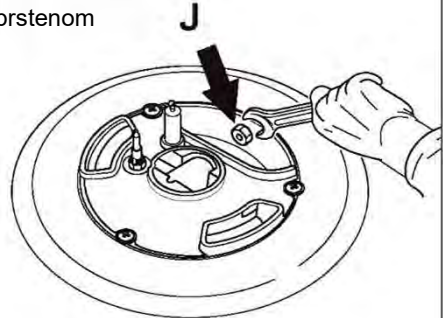
## ZAMJENA INJEKTORA PLAMENIKA PLOČE ZA KUHANJE

Zamjenu injektora provedite na sljedeći način:

- Uklonite nosače za posude i plamenike s ploče za kuhanje.
- Ključem zamijenite injektore s mlaznicama „J“ (sl. 2.2, 2.3) onima koji su najprikladniji za vrstu plina uz koju će se koristiti.

**Plamenici su dizajnirani tako da ne zahtijevaju regulaciju primarnog zraka.**

Plamenik  
s dvostrukim  
prstenom



Sl. 2.3

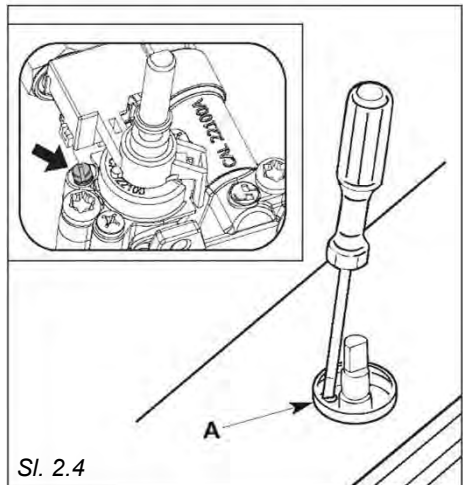
## PODEŠAVANJE NAJMANJEG PLAMENA GORNJIH PLAMENIKA

Plamen na najmanjoj postavci plamen mora imati duljinu od oko 4 mm i mora ostati upaljen čak i pri brzom okretanju iz maksimalnog do minimalnog položaja.

Podešavanje plamena provodi se na sljedeći način:

- Uključite plamenik.
- Okrenite slavinu u NAJMANJI položaj.
- Uklonite regulator.
- Malim ravnim odvijačem okrenite vijak „A“ do položaja pravilne regulacije (sl. 2.4).

**Obično je vijak za regulaciju na uređaju G30/G31 (UNP) zategnut.**



Sl. 2.4

**VAŽNO:** Uređaj mora postaviti kvalificirani tehničar u skladu s važećim lokalnim propisima i uputama proizvođača. Nepravilna ugradnja može ozlijediti ili oštetiti osobe, životinje i predmete, za što proizvođač ne preuzima nikakvu odgovornost.

Apsolutno je neophodno priključiti uređaj s dobrim sustavom ožičenja uzemljenja. Proizvođač ne preuzima odgovornost za bilo kakve neugodnosti proizašle iz nepridržavanja ovog pravila.

Prije izvođenja bilo kakvih radova na električnom dijelu uređaja, potrebno ga je odspojiti s napajanja.

## OPĆENITO

- Spajanje s električnim napajanjem mora izvesti kvalificirani tehničar pridržavajući se odgovarajućih sigurnosnih propisa.
- Uređaj mora biti spojen na mrežu kako bi se provjerilo odgovara li napon vrijednosti navedenoj na nazivnoj pločici i može li električni kabel izdržati opterećenje navedeno na toj pločici.
- Ako je ploča za kuhanje isporučena bez utikača, postavite standardni utikač koji je prikladan za snagu koju troši uređaj i u skladu s važećim lokalnim pravilima.
- Boje žica u kabelu napajanja uređaja možda neće odgovarati bojama označenima na priključnicama utikača. Utikač uvijek treba ožičiti na sljedeći način:
  - zelenu/žutu žicu spojite na priključnicu označenu slovom **E** ili simbolom uzemljenja „ $\perp$ “ ili zelenom/žutom bojom;

- plavu žicu spojite na priključnicu označenu slovom „**N**“ ili crnom bojom;
- smeđu žicu spojite na priključnicu označenu slovom „**L**“ ili crvenom bojom.
- Utikač mora biti priključen u utičnicu spoenu na jedinicu za uzemljenje u skladu sa sigurnosnim normama.
- Ako se uređaj treba spojiti izravno na mrežno napajanje, mora se postaviti između uređaja i mreže s omnipolarnim prekidačem s minimalnim otvorom od 3 mm između kontakata.
- Kabel napajanja ne smije dodirivati vruće dijelove i mora biti postavljen tako da njegova temperatura nije veća više od 50 °C u odnosu na okolinu.
- Nakon ugradnje uređaja, prekidač napajanja ili utikač napajanja moraju uvijek biti u pristupačnom položaju.
- Ako je kabel napajanja oštećen, mora se zamijeniti odgovarajućim kabelom dostupnim u naknadnoj prodaji.
- Uređaj mora imati vlastito napajanje; svi drugi uređaji postavljeni u njegovoj blizini moraju biti isporučeni odvojeno.
- **NAPOMENA** Pri spajanju na mrežu nemojte koristiti adaptere, reduktore ili uređaje za grananje koji mogu uzrokovati pregrijavanje i pregorenje.
- **Ako je površina ploče za kuhanje napuknuta, odvojite uređaj od električnog napajanja i obratite se ovlaštenom servisu.**

Ako ugradnja zahtijeva izmjene u sustavu električnog napajanja, preporučujemo da pozovete kvalificiranog tehničara koji će izvršiti zamjenu.

Tehničar će također morati provjeriti odgovara li poprečni presjek električnih kabela na točki napajanja nazivnoj snazi uređaja.

## ZAMJENA KABELA NAPAJANJA

**UPOZORENJE:** Ako je kabel napajanja oštećen, smije ga zamijeniti samo ovlašteni serviser kako bi se izbjegla opasnost.

Koristite istu vrstu kabela za napajanje.

Taj kabel mora biti spojen na priključnicu prema dijagramu na slici 3.1.

**NAPOMENA:** Vodič za uzemljenje mora biti oko 3 cm duži od ostalih.

Te postupke mora izvršiti kvalificirani tehničar.

## PRESJEK KABELA NAPAJANJA

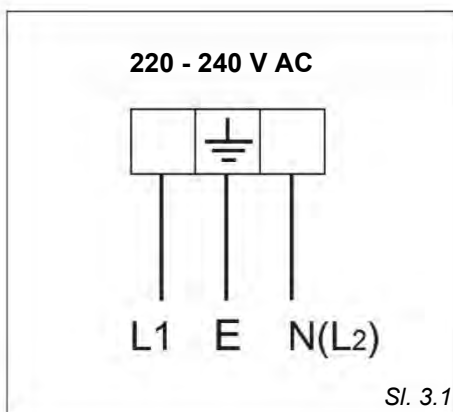
**TIPA „H05V2V2-F”**

**(otporan na temperature od 90 °C)**

220 - 240 V 50 - 60 Hz 3 x 0,75 mm<sup>2</sup> (\*) (\*\*)

(\*) Povezivanje je moguće s utikačem i utičnicom

(\*\*) Povezivanje s priključkom zidne kutije.



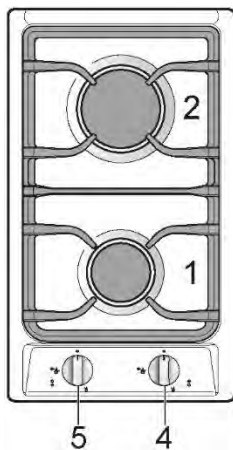




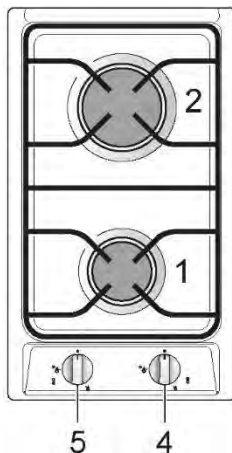
# Savjeti za korisnike

# 1

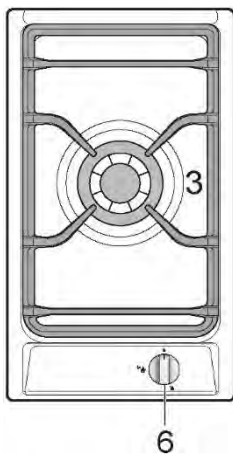
## ZNAČAJKE



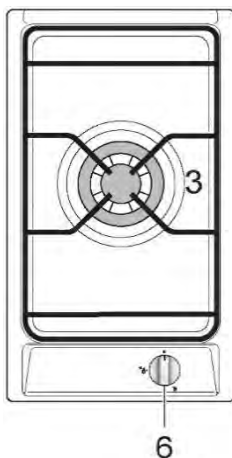
Sl. 1.1a



Sl. 1.1b



Sl. 1.2a



Sl. 1.2b

### Opres!

Ne pokrivajte ploču za kuhanje aluminijском folijom.

### NAPOMENA:

Regulatori i simboli mogu se razlikovati.

## **MJESTA KUHANJA**

- |  |         |
|--|---------|
| 1. Polubrzi plamenik (SR)              | 1,75 kW |
| 2. Brzi plamenik (R)                   | 3,00 kW |
| 3. Plamenik s dvostrukim prstenom (DC) | 3,80 kW |

## **OPIS UPRAVLJAČKE PLOČE**

4. Regulator brzog plamenika (2)
5. Regulator polubrzog plamenika (1)
6. Regulator plamenika s dvostrukim prstenom (3)

## **NAPOMENA:**

- Funkcija električnog paljenja ugrađena je u regulatore.
- Uređaj ima ugrađen sigurnosni ventil, protok plina će se zaustaviti ako i kada se plamen slučajno ugasi.

## **OPREZ:**

Ako se plamenik slučajno ugasi, isključite plin na regulatoru i pričekajte najmanje 1 minutu prije ponovnog paljenja.

## **OPREZ:**

Plinske ploče za kuhanje proizvode toplinu i vlagu u okruženju u kojem su postavljene. Pobrinite se da je prostor za kuhanje dobro prozračen otvaranjem prirodnih ventilacijskih rešetki ili ugradnjom nape spojene na odvodni kanal.

## **OPREZ:**




Ako se ploča za kuhanje koristi dulje vrijeme, možda će biti potrebno osigurati bolju ventilaciju otvaranjem prozora ili povećanjem usisne snage nape (ako je ugrađena).

## 2. PLINSKI PLAMENICI

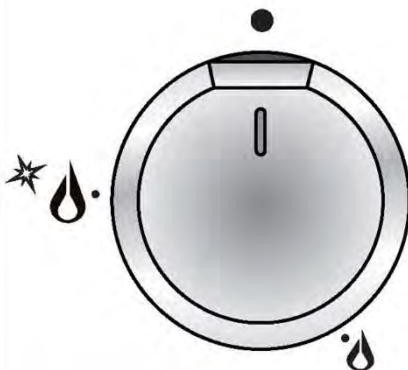
### PLINSKI PLAMENICI

Protok plina do plamenika podešava se okretanjem regulatora (prikazanih na slici 2.1) koji upravljaju sigurnosnim ventilima.

Okretanjem regulatora, tako da linija pokazivača pokazuje na simbole otisnute na ploči, postiže se sljedeće:

- simbol  zatvoreni ventil
  - simbol  maksimalni otvor ili protok
  - simbol  minimalni otvor ili protok
- Položaj maksimalnog otvora omogućuje brzo kuhanje tekućina, dok položaj minimalnog otvora omogućuje sporije zagrijavanje hrane ili održavanje uvjeta vrenja tekućina.
  - Želite li protok plina smanjiti na najmanju moguću mjeru, dodatno zaokrenite regulator u smjeru suprotnom od kazaljke na satu, tako da je usmjeren prema simbolu malog plamena.
  - Ostale se prilagodbe na rad na srednjoj razini mogu postići postavljanjem pokazivača između položaja maksimalnog i minimalnog otvora, ali nikada između maksimalnog i zatvorenog položaja.

**NAPOMENA:** Regulator i simboli mogu se razlikovati.



Sl. 2.1


**Oprez!**  
Ne pokrivajte ploču za kuhanje aluminijском folijom.

**Oprez!**  
Ploča za kuhanje postaje vrlo vruća tijekom rada.  
Djecu držite izvan dosega.

**NAPOMENA** Kada ne koristite ploču za kuhanje, postavite regulatore plina u zatvorene položaje i zatvorite ventil na plinskoj boci ili glavnom dovodu plina.

## PALJENJE PLINSKIH PLAMENIKA OPREMLJENI SIGURNOSNIM VENTILOM

Plamenik upalite prateći sljedeće upute:

1. Pritisnite odgovarajući regulator i okrenite ga u smjeru suprotnom od smjera kazaljke na satu (sl. 2.2) u položaj punog plamena označenog simbolom  (sl. 2.1). Zadržite regulator dok se plamen ne upali. U slučaju kvara na mreži zapalite plamenik šibicom ili upaljenom svijećom.
2. Pričekajte nekoliko sekundi nakon paljenja plinskog plamenika pa otpustite regulator (odgoda aktivacije ventila).
3. Postavite plinski ventil u željeni položaj.

Ako se plamen plamenika iz nekog razloga ugasi, sigurnosni ventil automatski će zaustaviti protok plina.

Želite li ponovno upaliti plamenik, vratite regulator u zatvoreni položaj „●“, **pričekajte najmanje 1 minutu** pa ponovite postupak paljenja.

**Napomena:** Ako lokalna opskrba plinom otežava paljenje plamenika s regulatorom postavljenim u maksimalni položaj, postavite ga u minimalni položaj i ponovite postupak.



## IZBOR PLAMENIKA

Na upravljačkoj ploči, u blizini svakog regulatora, nalazi se dijagram koji pokazuje kojim plamenikom upravlja svaki pojedini regulator. Odgovarajući plamenik bira se u skladu s promjerom i korištenim kapacitetom. Plamenici i posude moraju se koristiti u skladu sa sljedećim uputama:

### PROMJERI POSUDA KOJE SE MOGU UPOTREBLJAVATI NA PLAMENIKU

| PLAMENICI             | MINIMALNI | MAKSIMALNI  |
|-----------------------|-----------|-------------|
| Polubrzi (*)          | 16 cm     | 22 cm       |
| Brzi                  | 22 cm     | 26 cm       |
| S trostrukim prstenom | 24 cm     | 28 cm       |
| Wok                   | -         | Maks. 36 cm |

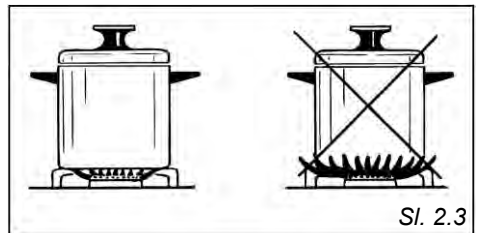
### nemojte koristiti posude s konkavnim ili konveksnim dnom

(\*) s rešetkom za malo posude: minimalni promjer 6 cm (samo za modele isporučene s rešetkom za male posude)

Važno je da promjer posude bude prikladan potencijalu plamenika i snazi plamenika kako ne bi došlo do gubitka energije. Mala posuda na velikom plameniku ne stvara vrelište u kraćem vremenskom razdoblju jer kapacitet apsorpcije topline tekuće mase ovisi o volumenu i površini posude.

**OPREZ:** Pobrinite se da su posude u središtu plamenika radi maksimalne stabilnosti i veće učinkovitosti.

Pazite da posude nisu u dodiru s regulatorima, jer bi u suprotnom plamen mogao pregrijati regulatore i trajno ih oštetiti.



## POMOĆNA REŠETKA ZA MALE POSUDE (opcija)

Ta se rešetka treba postaviti na vrh (manjeg) pomoćnog plamenika pri upotrebi posuda malog promjera kako bi se spriječio njihovo prevrtanje.



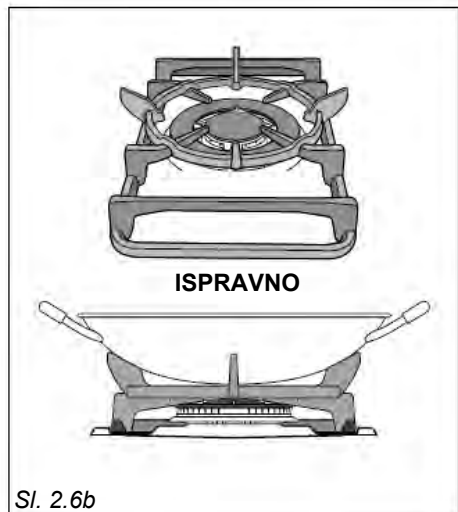
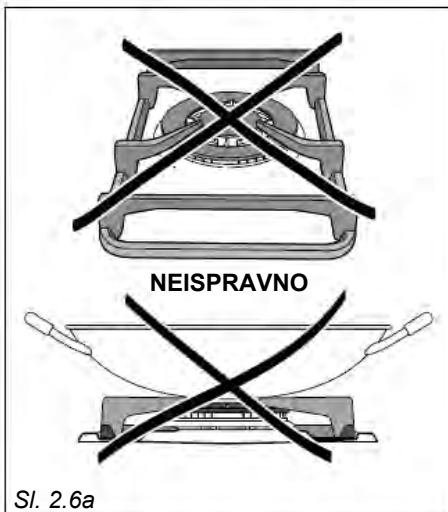
## ISPRAVNA UPOTREBA PLAMENIKA S DVOSTRUKIM PRSTENOM - OPCIJA

(samo modeli s plamenikom s dvostrukim prstenom)

- Prije upotrebe WOKA postavite odgovarajuće postolje (ako adapter posude za wok nije isporučen uz uređaj, dostupan je kao dodatna oprema uz nadoplatu) kako biste izbjegli neispravan rad plamenika s dvostrukim prstenom (sl. 2.5a - 2.5b - 2.6a - 2.6b).
- Posude s ravnim dnom postavite izravno na nosač.

### VAŽNO:

- Posebna rešetka za wok posude (sl. 2.5b - 2.6b) **SMIJE SE POSTAVITI SAMO** na nosač za posude na plameniku s dvostrukim prstenom.



# 3 ČIŠĆENJE I ODRŽAVANJE

## OPĆI SAVJETI

- **Prije početka čišćenja morate biti sigurni da je ploča za kuhanje isključena.**
- Preporučuje se čišćenje kada je uređaj hladan, a posebno čistite li emajlirane dijelove.
- Sve se emajlirane površine moraju se prati sapunastom vodom ili nekim drugim neabrazivnim proizvodom primjenom spužve, a najbolje ih je osušiti mekom krpom.
- Na površinama nemojte ostavljati lužnate ili kisele tvari (limunov sok, ocat itd.).
- **Izbjegavajte upotrebu sredstava za čišćenje na bazi klora ili kiseline.**
- **Važno: Pri rukovanju ili čišćenju ovog uređaja preporučuje se upotreba odgovarajuće zaštitne odjeće/rukavica.**
- **Ni pod kojim uvjetima ne smijete uklanjati vanjske poklopce prije servisiranja ili održavanja, to smije činiti samo osoblje s odgovarajućim kvalifikacijama.**
- Očistite površine vlažnom krpom i koristite nježna, neutralna sredstva za čišćenje. Osušite čistom, suhom krpom.
- **VAŽNO:** Nemojte koristiti abrazivne proizvode (npr. određene vrste spužve) i/ili agresivne proizvode (npr. kaustičnu sodu, proizvode koji sadrže korozivne tvari) koji mogu uzrokovati nepopravljiva oštećenja površine.

## UPOZORENJE

Kada je pravilno ugrađen, vaš proizvod ispunjava sve sigurnosne zahtjeve utvrđene za tu vrstu proizvoda. Međutim, treba biti posebno oprezan oko donjeg dijela uređaja jer ovo područje nije dizajnirano ili namijenjeno dodiru i može sadržavati oštre ili grube rubove koji mogu uzrokovati ozljede.

## EMAJLIRANI DIJELOVI

Svi se emajlirani dijelovi moraju čistiti spužvom i sapunastom vodom ili drugim neabrazivnim proizvodima.

Osušite koristeći mikrovlakna ili mekanu krppu, ako je to moguće.

Ako kisele tvari poput limunovog soka, rajčice, octa i sl. dugo ostanu na caklini, ista će se urezati i postati mutna.

## POVRŠINE OD NEHRĐAJUĆEG ČELIKA

Dijelovi od nehrđajućeg čelika moraju se isprati vodom i osušiti mekom i čistom krpom.

Za tvrdokornu prljavštinu koristite specifične komercijalno dostupne neabrazivne proizvode ili malo vrućeg octa.

**Važno: Proizvođač odbacuje svaku odgovornost za moguću štetu nastalu upotrebom neprikladnih proizvoda za čišćenje uređaja.**

**Pažnja! Uređaj se jako zagrijava, uglavnom oko područja za kuhanje. Vrlo je važno djecu ne ostavljati samu u kuhinji dok kuhate.**

**Nemojte koristiti parni čistač jer vlaga može dospjeti u uređaj i tako ga učiniti nesigurnim.**

## OBOJANE POVRŠINE I POVRŠINE OTISNUTE UPOTREBOM UZORKA OD TKANINE

Očistite odgovarajućim proizvodom. Uvijek temeljito osušite.

**VAŽNO:** ove dijelove morate pažljivo očistiti kako biste izbjegli ogrebotine i oštećenja. Savjetujemo da koristite meku krpu i neutralni sapun.

**OPREZ:** Nemojte koristiti abrazivne tvari ili deterdžente koji nisu neutralni jer će oni nepopravljivo oštetiti površinu.

**Napomena:** Dugotrajna upotreba može uzrokovati promjenu glazure oko plamenika, što odgovara područjima izloženim toplini.

## PLINSKE SLAVINE

Nemojte dopustiti da sredstva za čišćenje dođu u dodir s ventilima.

Samo stručno osoblje smije periodički podmazivati plinske slavine.

Nazovite servisni odjel u slučaju kvarova na plinskim slavinama.

## PLAMENICI I NOSAČI ZA TAVU

Ti se dijelovi moraju očistiti spužvom i sapunastom vodom ili drugim prikladnim neabrazivnim proizvodima. Osušite mekom krpom.

**Upozorenje!** Nije sigurno za pranje u perilici posuđa.

Dobro posušite plamenike i njihove raspršivače plamena nakon čišćenja i vratite ih na mjesto. Vrlo je važno provjeriti jesu li raspršivač plamena plamenika i poklopac pravilno postavljeni. Ako to ne učinite, može doći do ozbiljnih problema.

Uvijek provjerite je li elektroda „S“ (sl. 3.1, 3.3) pored svakog plamenika čista kako pri iskrenju ne bi bilo problema.

Uvijek provjerite je li sonda „T“ (sl. 3.1, 3.3) pored svakog plamenika čista kako bi sigurnosni ventili pravilno radili.

**I sonda i čep za svjećica paljenje moraju biti vrlo pažljivo očišćeni.**

**Napomena:** Kako ne bi došlo do njegova oštećenja, nemojte koristiti električno paljenje kada plamenici nisu na svom mjestu.

**Napomena:** Dugotrajna upotreba može uzrokovati promjenu glazure oko plamenika i rešetki, što odgovara područjima izloženim toplini. To je prirodna pojava i ne sprječava ispravan rad dijelova.

## PRAVILNA ZAMJENA POLUBRZOG I BRZOG PLAMENIKA

Vrlo je važno provjeriti jesu li razdjelnik plamena plamenika „F“ i poklopac „C“ pravilno postavljeni (vidi sl. 3.1, 3.2) - u suprotnom može doći do ozbiljnih problema.

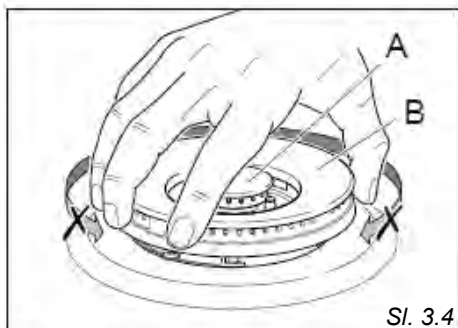
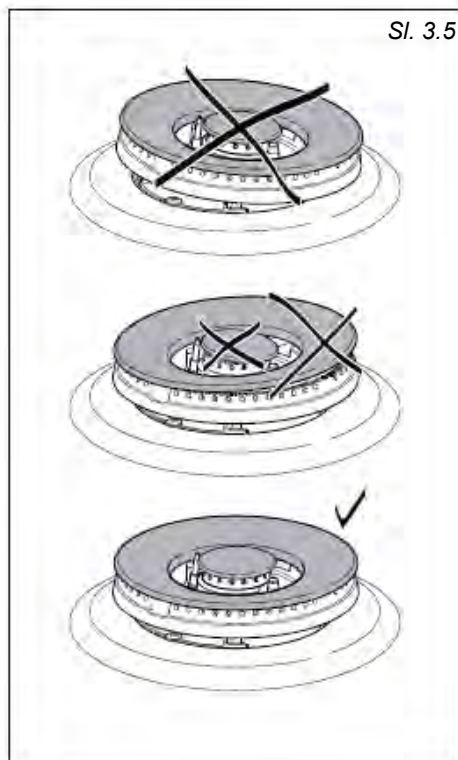
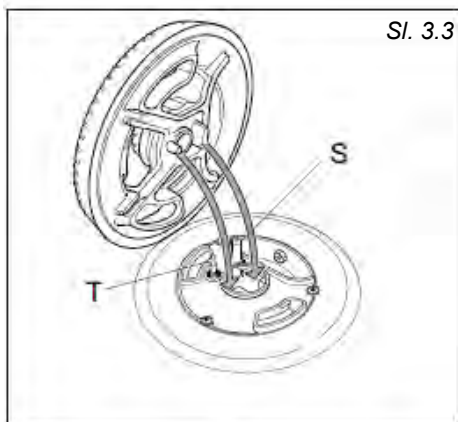
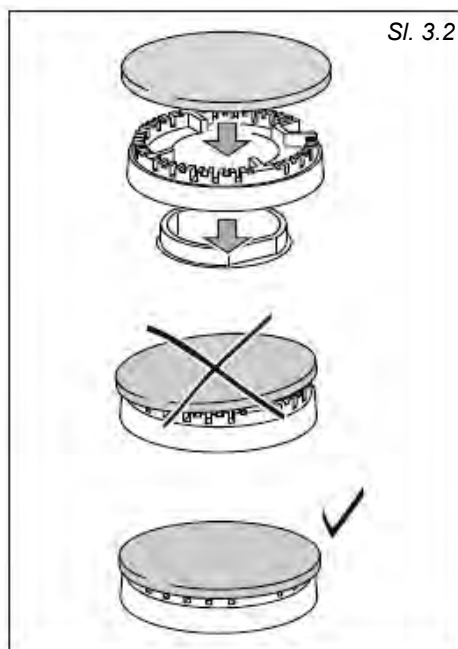
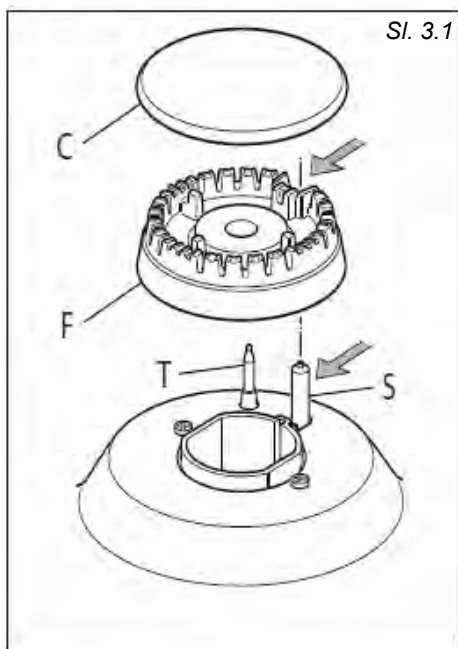
## PRAVILNA ZAMJENA DVOSTRUKOG PRSTENA (samo neki modeli)

Plamenik mora biti pravilno postavljen, u suprotnom može doći do ozbiljnih problema.

Postavite raspršivač plamena na kućište kako je prikazano strelicama (pogledajte sl. 3.3, 3.4, 3.5).

Pravilno postavljeni plamenik ne smije se okretati (sl. 3.5).





## **Caro Cliente,**

*Obrigado por ter comprado e dado a sua preferência ao nosso produto.*

*As precauções e recomendações de segurança relatadas abaixo são para a sua própria segurança e a de outras pessoas. Também fornecerão um meio para fazer pleno uso das funcionalidades oferecidas pelo seu aparelho.*

*Por favor, guarde este folheto com cuidado. Pode ser útil no futuro, quer para si quer para outros, no caso de surgirem dúvidas relacionadas com o seu funcionamento.*

***Este aparelho só deve ser utilizado para a tarefa para a qual foi explicitamente concebido, ou seja, para cozinhar alimentos. Qualquer outra forma de utilização deve ser considerada inadequada e, por conseguinte, perigosa.***

***O fabricante declina toda a responsabilidade em caso de danos causados por uso inadequado, incorreto ou ilógico do aparelho.***

## **DECLARAÇÃO DE CONFORMIDADE CE**

- Este aparelho foi concebido para ser utilizado apenas para cozinhar. Qualquer outra utilização (como aquecimento de uma sala) é imprópria e perigosa.
- Este aparelho foi concebido, construído e comercializado em conformidade com:
  - Requisitos de segurança do "Gas", Regulamento (UE) 2016/426;
  - Requisitos de segurança de "Baixa tensão", Diretiva 2014/35/UE;
  - Requisitos de segurança de "EMC", Diretiva 2014/30/UE;
  - Requisitos da Diretiva 93/68/CEE da UE;
  - Requisitos da Diretiva 2011/65/UE da UE.



## PRECAUÇÕES E RECOMENDAÇÕES DE SEGURANÇA IMPORTANTES

**IMPORTANTE:** Este aparelho foi concebido e fabricado exclusivamente para cozinhar alimentos para uso doméstico e não é adequado para qualquer aplicação não doméstica e, por conseguinte, não deve ser utilizado num ambiente comercial.

A garantia do aparelho será anulada se o aparelho for utilizado num ambiente não doméstico, ou seja, num ambiente semi-comercial, comercial ou comum.

**Leia cuidadosamente as instruções antes de instalar e utilizar o aparelho.**

- Este aparelho foi concebido e fabricado em conformidade com as normas aplicáveis a produtos para cozinhar de uso doméstico e cumpre todos os requisitos de segurança constantes deste manual, incluindo os relativos às temperaturas de superfície.  
Algumas pessoas com pele sensível podem ter uma perceção de temperatura mais pronunciada com alguns componentes, embora essas peças estejam dentro dos limites permitidos pelas normas.  
A segurança completa do aparelho também depende do uso correto, portanto, recomendamos que preste sempre uma atenção extrema ao usar o produto, especialmente na presença de crianças.
- Depois de ter desembalado o aparelho, verifique se este não está danificado.  
Em caso de dúvida, não o utilize e consulte o seu fornecedor ou um técnico qualificado profissionalmente.
- Elementos da embalagem (ou seja, sacos de plástico, espuma de poliestireno, pregos, tiras de embalagem, etc.) não devem ser deixados perto ou alcance das crianças, pois podem causar lesões graves.
- Alguns aparelhos são fornecidos com uma película protetora nas peças de aço e alumínio. **Esta película deve ser removida antes de utilizar o aparelho.**
- **IMPORTANTE:** Recomenda-se a utilização de vestuário/luvas de proteção adequados ao manusear ou limpar este aparelho.

- Não tente modificar as características técnicas do aparelho, uma vez que pode tornar-se perigoso de utilizar. O fabricante declina toda a responsabilidade por qualquer inconveniente resultante da inobservância desta condição.
- **ATENÇÃO:** este aparelho só deve ser instalado numa divisão ventilada permanentemente, em conformidade com os regulamentos aplicáveis.
- Não opere o aparelho através de um temporizador externo ou de um sistema de controlo remoto separado.
- Não execute as operações de limpeza ou manutenção no aparelho, sem o ter previamente desconectado da fonte de alimentação elétrica.
- Não use um aparelho de limpeza a vapor porque a humidade pode entrar no aparelho, tornando-o inseguro.
- Não cubra a placa com folhas de alumínio.
- Não toque no aparelho com as mãos (ou os pés) molhados ou húmidos.
- Não utilize o aparelho enquanto estiver descalço.
- Se decidir não utilizar mais este aparelho (ou decidir substituir por outro modelo), antes da sua eliminação, recomenda-se deixar o aparelho inoperacional de forma adequada de acordo com as normas de saúde e proteção ambiental, garantindo, em especial, que todas as peças potencialmente perigosas sejam inutilizadas, especialmente em relação a crianças que possam brincar com aparelhos não utilizados.
- Os vários componentes do aparelho são recicláveis. Elimine-os de acordo com os regulamentos em vigor no seu país. Se tiver de eliminar o aparelho, remova o cabo de alimentação.
- Após utilizar, certifique-se de que os botões/controlos estão na posição desligada.
- As crianças com menos de 8 anos devem ser mantidas afastadas, a menos que supervisionadas continuamente.
- Este aparelho pode ser utilizado por crianças de idade igual ou superior a 8 anos e por pessoas com capacidades físicas, sensoriais ou mentais reduzidas ou falta de experiência e conhecimento, caso lhes tenha sido fornecida supervisão ou instruções relativas à utilização do aparelho de forma segura e desde que compreendam os perigos envolvidos. As crianças não devem brincar com o aparelho. A limpeza e manutenção pelo utilizador não deve ser realizada por crianças sem supervisão.

- O fabricante declina toda a responsabilidade por lesões em pessoas ou danos a propriedade causados por uma utilização incorreta ou inadequada do aparelho.
- AVISO: Durante a utilização, o aparelho e as suas peças acessíveis ficam quentes; permanecem quentes durante algum tempo após a utilização.
  - Deve ter-se cuidado para evitar tocar nas resistências na placa.
  - Para evitar queimaduras e escaldadelas, as crianças pequenas devem ser mantidas afastadas.
- Certifique-se de que os cabos elétricos que ligam outros aparelhos na proximidade da placa não podem entrar em contacto com a placa.
- AVISO: Cozinhar numa placa com gordura ou óleo, sem vigilância, pode ser perigoso e pode resultar em fogo. NUNCA tente extinguir um incêndio com água, em vez disso desligue o aparelho e, em seguida, cubra a chama com, por exemplo, uma tampa ou um cobertor antifogo.
- AVISO: Perigo de incêndio: não guarde artigos em cima das superfícies de cozedura.
- AVISO: Quando instalado corretamente, o produto cumpre todos os requisitos de segurança previstos para este tipo de categoria de produto. No entanto, deve ter-se especial cuidado com a parte inferior do aparelho, uma vez que esta área não é concebida ou destinada a ser tocada e pode conter arestas afiadas ou rugosas, que podem causar ferimentos.
- CUIDADO: O processo de cozedura tem de ser supervisionado. Um processo de cozedura rápido, tem de ser continuamente supervisionado.
- Se o cabo de alimentação estiver danificado, este deve ser substituído apenas por um agente de serviço autorizado, a fim de evitar um perigo.
- Se um aparelho não estiver equipado com um cabo de alimentação e uma ficha, ou com outros meios de desconexão da rede elétrica com uma separação de contacto em todos os polos que oferecem uma desconexão completa sob condições de sobretensão da categoria III, devem ser incorporados meios de desconexão na cablagem fixa em conformidade com as regras da colocação de cabos.
- AVISO: O aparelho e peças acessíveis ficam quentes durante a utilização.

Deve ter-se cuidado para evitar tocar nas resistências.

As crianças com menos de 8 anos devem ser mantidas afastadas, a menos que supervisionadas continuamente.

- **AVISO:** Utilize apenas proteções de placa concebidas pelo fabricante do aparelho para cozinhar ou indicadas pelo fabricante do aparelho nas instruções de utilização, conforme adequado, ou proteções de placa incorporadas no aparelho. A utilização de proteções inadequadas pode causar acidentes.

## **ROTULAGEM ENERGÉTICA/ECODESIGN**

- Regulamento da Comissão (EU) N.º 66/2014 (implementando a Diretiva 2009/125/EC do Parlamento Europeu e do Conselho).

Referência aos métodos de medição e cálculo utilizados para estabelecer o cumprimento dos requisitos acima referidos:

- Norma EN30-2-1 (placas: queimadores a gás).

## **UTILIZAÇÃO DO APARELHO, DICAS DE POUPANÇA DE ENERGIA**

### **PLACA**

#### **QUEIMADORES A GÁS**

- É importante que o diâmetro da panela seja adequado à potencialidade do queimador de modo a não comprometer o elevado rendimento dos queimadores desperdiçando assim energia. Uma panela pequena com um queimador grande não lhe dá um ponto de ebulição em menos tempo, uma vez que a capacidade de absorção de calor de uma massa líquida depende do volume e da superfície da panela.
- Evite manter um queimador sem algo sobre o mesmo (sem uma panela).

## **INFORMAÇÕES IMPORTANTES PARA A ELIMINAÇÃO CORRETA DO PRODUTO, EM CONFORMIDADE COM A DIRETIVA 2012/19/UE.**

No final da sua vida útil, o produto não deve ser eliminado como resíduo urbano. Deve ser entregue num centro especial de recolha de resíduos diferenciados da sua autoridade local ou a um concessionário que ofereça este serviço.

A eliminação de um eletrodoméstico de forma separada evita eventuais consequências negativas para o ambiente e para a saúde decorrentes de eliminação inadequada e permite recuperar os materiais que constituem para obter economias significativas de energia e recursos. Como lembrete da necessidade de eliminar separadamente os aparelhos, o produto está marcado com um contentor de lixo com rodas com uma cruz por cima.



# Conselhos para o instalador

## IMPORTANTE:

- O aparelho foi concebido e aprovado apenas para uso doméstico e não deve ser instalado num ambiente comercial, semi-comercial ou comum.  
**O seu produto deixará de estar coberto pela garantia se for instalado em qualquer um dos ambientes acima e poderá afetar quaisquer seguros de terceiros ou de responsabilidade pública que possa ter.**
- Este aparelho deve ser instalado, regulado e adaptado para funcionar apenas por uma pessoa autorizada em conformidade com as normas locais em vigor e observando as instruções fornecidas pelo fabricante.  
O incumprimento desta condição irá invalidar a garantia.
- O aparelho deve ser instalado em conformidade com os regulamentos em vigor no seu país e observando as instruções do fabricante.
- Os técnicos de instalação devem cumprir as leis vigentes em vigor relativas à ventilação e evacuação dos gases de escape.
- Uma instalação incorreta, para a qual o fabricante não aceita qualquer responsabilidade, pode causar ferimentos ou danos pessoais.
- A manutenção deste aparelho só deve ser efetuada por pessoal autorizado.
- Desligue sempre o aparelho da fonte de alimentação da rede antes de realizar quaisquer operações de manutenção ou reparações.
- **Importante: Recomenda-se a utilização de vestuário/luas de proteção adequados ao manusear ou limpar este aparelho.**
- **Estas placas foram concebidas para serem incorporadas em armários de cozinha com uma profundidade de 600 mm e uma superfície de trabalho com 30 a 40 mm de espessura.**
- **O aparelho deve ser instalado em unidades resistentes ao calor.**
- **As paredes das unidades não devem ser mais altas do que a bancada e devem ser capazes de resistir a temperaturas de 105°C acima da temperatura ambiente.**
- **Ressaltamos que o adesivo que liga o laminado de plástico aos móveis deve suportar temperaturas não inferiores a 150°C para evitar delaminação.**
- **Não instale o aparelho próximo de materiais inflamáveis (por ex. cortinas).**

## AVISO!

Quando instalado corretamente, o produto cumpre todos os requisitos de segurança previstos para este tipo de categoria de produto. No entanto, deve ter-se especial cuidado com a parte inferior do aparelho, uma vez que esta área não é concebida ou destinada a ser tocada e pode conter arestas afiadas ou rugosas, que podem causar ferimentos.

# 1 INSTALAÇÃO

## INFORMAÇÕES TÉCNICAS PARA O INSTALADOR

- Para instalar a placa de fogão na bancada da cozinha, tem de se fazer um furo com as dimensões mostradas na fig. 1.1 tendo em conta o seguinte:
- Deve existir um intervalo de ventilação de 30 mm entre o fundo do aparelho e qualquer armário, unidade de extração ou aparelho.
- Se a base da placa ficar acessível através de um armário ou espaço de gaveta após instalação, não é necessária uma barreira de proteção térmica.
- Se a placa for instalada sobre um forno, os dois aparelhos devem ser ligados à alimentação de gás e/ou elétrica com ligações independentes.
- A parte superior do fogão deve ser mantida a uma distância não inferior a 100 mm de qualquer parede lateral (desde a extremidade lateral do recorte - fig. 1.1).
- A placa deve ser instalada pelo menos a 50 mm da parede (desde a extremidade traseira do recorte - fig. 1.2).
- Deve haver uma distância de, pelo menos, 650 mm entre a placa e qualquer armário de parede ou exaustor posicionado imediatamente acima (ver fig. 1.1).

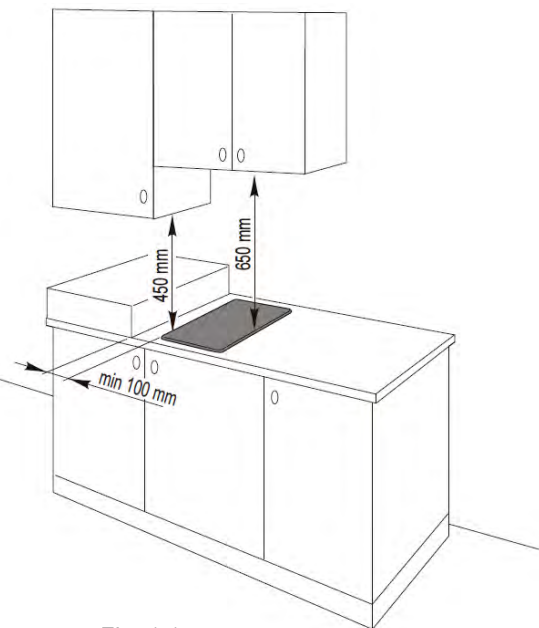


Fig. 1.1

**Não instale o aparelho próximo de materiais inflamáveis (por ex. cortinas).**

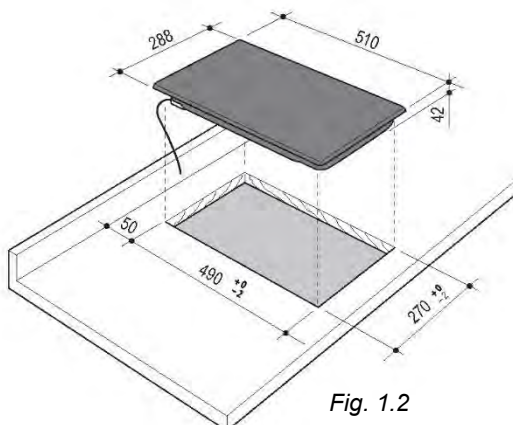


Fig. 1.2

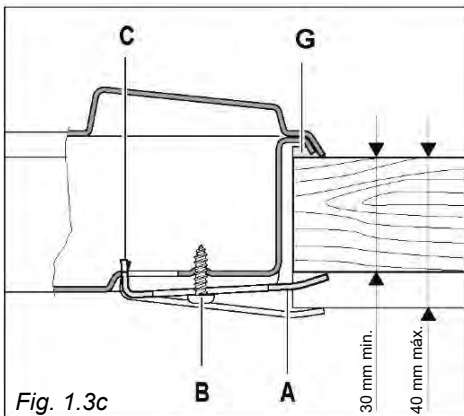
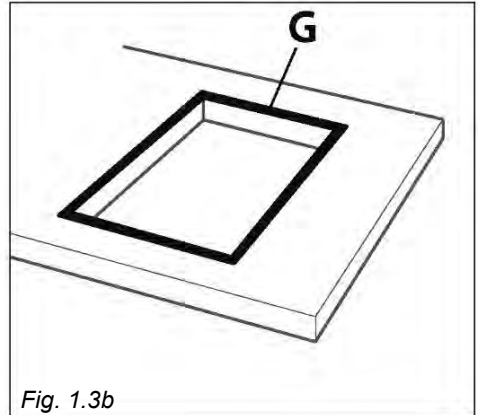
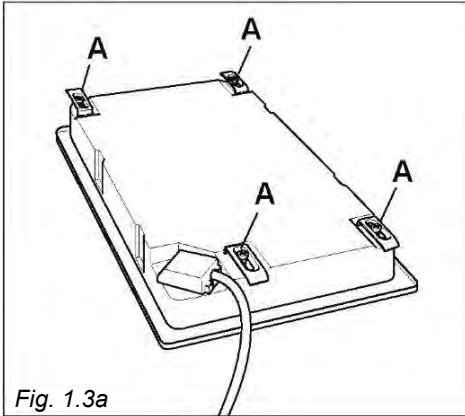


## PRENDER A PLACA DE FOGÃO (fig. 1.3a, 1.3b, 1.3c)

Cada placa é fornecida com um kit de instalação, incluindo suportes e parafusos para fixar a placa a bancadas a partir de 30 a 40 mm de espessura.

O kit inclui 4 patilhas "A" e 4 parafusos auto-roscentes "B".

- Corte a unidade.
- Estenda a junta "G" sobre o rebordo do recorte feito, tendo cuidado para sobrepor as bordas de junção (fig. 1.3b).
- Vire a placa ao contrário e coloque as patilhas "A" (fig. 1.3a) nos apoios, aperte apenas os parafusos "B" algumas voltas. Certifique-se de que as abas estão montadas corretamente como mostrado na figura 1.3c. Vire as patilhas que a placa possa ser colocada no orifício.
- Coloque a placa no orifício cortado na unidade e posicione-a corretamente.
- Coloque as patilhas "A" no lugar, o dente "C" das patilhas deve entrar no orifício.
- Aperte os parafusos "B" até a placa de cozinha estar completamente segura.
- Utilizando uma ferramenta afiada cortar a parte da junta "G" que sai para fora da bancada de cozinha. Tenha cuidado para não danificar a bancada.



## REQUISITOS DE VENTILAÇÃO

O aparelho deve ser instalado em conformidade com as regulamentações locais aplicáveis à ventilação e evacuação de gases de escape.

Uma utilização intensiva e prolongada pode requerer ventilação extra, por exemplo, abrir uma janela ou uma ventilação mais eficiente, aumentando a potência de aspiração mecânica se esta estiver instalada.

## ESCOLHER UM AMBIENTE ADEQUADO

A divisão em que o aparelho a gás deve ser instalado deve ter um fluxo de ar natural para que o gás possa queimar (em conformidade com as regulamentações locais aplicáveis).

O fluxo de ar deve provir diretamente de uma ou mais aberturas feitas nas paredes exteriores com uma área livre de, pelo menos, 100 cm<sup>2</sup> (ou consultar as regulamentações locais aplicáveis).

As aberturas devem estar próximas do chão e, de preferência no lado oposto ao dos gases de combustão e devem ser feitas de modo a que não possam ser bloqueadas do interior ou do exterior.

Quando estas aberturas não podem ser feitas, o ar necessário pode vir de uma divisão adjacente que seja ventilada conforme necessário, desde que não seja um quarto ou uma área perigosa (em conformidade com a regulamentação local aplicável).

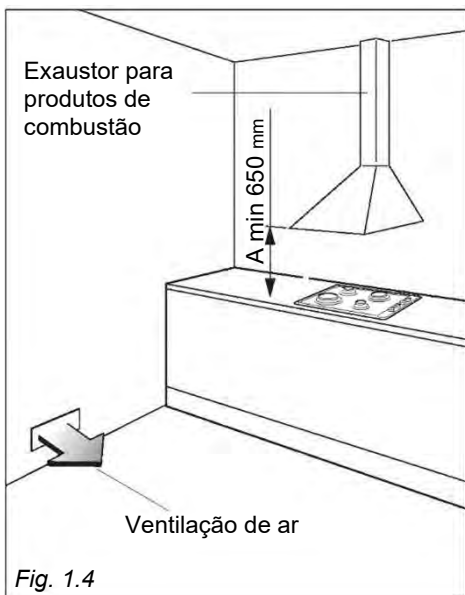
Neste caso, a porta da cozinha deve permitir a passagem do ar.

## DESCARREGAR OS PRODUTOS DE COMBUSTÃO

Exaustores ligados diretamente ao exterior devem ser fornecidos, para permitir que os produtos de combustão do aparelho a gás sejam descarregados (fig. 1.4).

Se isto não for possível, pode usar-se um ventilador elétrico, ligado à parede externa ou na janela; o ventilador deve ter uma capacidade de circular ar a uma taxa horária de 3-5 vezes o volume total da cozinha (fig. 1.5).

O ventilador só pode ser instalado se a sala tiver saídas adequadas para permitir que o ar entre, conforme descrito em "Escolher um ambiente adequado".



## REQUISITOS DE INSTALAÇÃO DE GÁS

**Importante!**

- **Este aparelho deve ser instalado e mantido apenas por um instalador devidamente qualificado e registado. O instalador deve referir-se às normas locais em vigor.**
- **Não instalar o aparelho corretamente poderá invalidar a garantia de qualquer fabricante.**
- **Antes da instalação, certifique-se de que as condições locais de distribuição (tipo e pressão do gás) e o ajuste deste aparelho são compatíveis. As condições de ajuste do aparelho são indicadas na placa ou no rótulo.**
- **Se a pressão de gás (para a qual o aparelho deve ser utilizado) for variável ou se não estiver dentro dos valores indicados na placa de classificação, é obrigatório instalar um regulador de pressão de gás adequado, que deve ser ajustado para garantir a pressão de funcionamento correta ao aparelho (conforme placa de classificação). O regulador deve ser instalado, ajustado e testado por um técnico qualificado.**
- **AVISO: Usar o aparelho com uma pressão de gás errada e/ou variável pode ser extremamente perigoso e pode resultar em ferimentos graves ao utilizador. Poderão ocorrer danos no aparelho se não se observar esta condição. O fabricante declina toda a responsabilidade por qualquer inconveniente resultante da inobservância desta condição.**

Este aparelho é fornecido para utilização com gás natural ou GPL (verifique o rótulo do regulamento do gás colocado no aparelho).

- **Aparelhos fornecidos para utilização com gás natural: estão ajustados unicamente para este gás e não podem ser utilizados em qualquer outro gás (GPL) sem modificação. Os aparelhos são fabricados para conversão para GPL.**
- **Os aparelhos fornecidos para utilização com GPL: estão ajustados unicamente para este gás e não podem ser utilizados em qualquer outro gás (gás natural) sem modificação. Os aparelhos são fabricados para conversão para gás natural.**

Se o kit de conversão gás natural/LPG não for fornecido com o aparelho, este kit pode ser comprado contactando o serviço pós-venda.

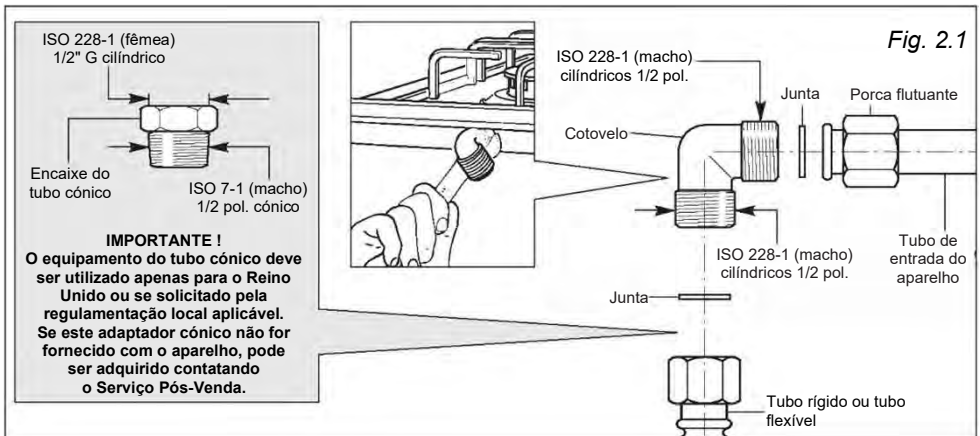
## LIGAR A PLACA AO FORNECIMENTO DE GÁS

O equipamento de ligação ao gás (fig. 2.1) é constituído por:

- a porca flutuante;
- o cotovelo;
- as juntas;
- o encaixe de tubo cónico - a utilizar apenas para o Reino Unido ou se solicitado pelos regulamentos locais aplicáveis. Neste caso, antes de conectar o aparelho à alimentação de gás, encaixe o adaptador do tubo cónico ao cotovelo que interpõe a junta. Se o encaixe do tubo cónico não for fornecido com o aparelho, pode ser adquirido contactando o Serviço Pós-Venda.

### A conexão do gás deve ser efetuada por uma pessoa autorizada de acordo com as normas locais relevantes.

- Se utilizar um tubo flexível, certifique-se de que não entra em contacto com peças móveis.
- A parte traseira da estrutura é rebaixada para fornecer um canal para o tubo de entrada do aparelho.
- O encaixe de conexão de gás pode ser rodado na direção necessária (mas nunca em posição vertical ou horizontal) após afrouxar o cotovelo e ligação à porca flutuante.
- Nunca tente rodar o cotovelo sem ter primeiro desapertado a porca flutuante.
- As juntas fornecidas garantem uma boa vedação para a conexão de gás. Recomendamos substituir as juntas no menor sinal de desgaste, deformação ou imperfeições.
- Depois de conectar ao fornecimento de gás, verifique se os engates estão corretamente selados, usando uma solução com sabão, mas nunca uma chama nua.



## REQUISITOS ADICIONAIS DE CONEXÃO DE GÁS

Ao ligar a placa ao fornecimento de gás com tubos rígidos ou um tubo flexível, certifique-se de que:

- Utiliza tubos rígidos ou um tubo flexível em conformidade com as regulamentações locais aplicáveis. O tubo flexível deve ser da construção correta para o tipo de gás a utilizar e da dimensão correta para manter a potência calorífica do aparelho.
- A conexão com tubos metálicos rígidos não causa stress nem pressão na tubagem de gás.
- O tubo flexível não está sob tensão, torcido, ou dobrado com muita força, nem enquanto a placa está a ser utilizada nem enquanto está a ser ligada ou desligada.
- O tubo flexível não é superior a 2000 mm (ou consulte as regulamentações locais aplicáveis) e não entra em contacto com bordas afiadas, cantos ou peças em movimento, uma vez que podem causar abrasão. Utilize apenas um tubo flexível e nunca ligue a placa com mais de um tubo flexível.
- O tubo flexível pode ser facilmente inspecionado ao longo de todo o seu comprimento para verificar a sua condição; se tiver um prazo de validade, deve ser substituído antes dessa data.
- Se utilizar um tubo flexível que não seja inteiramente fabricado em metal, certifique-se de que não entra em contacto com qualquer parte da placa com uma temperatura de superfície igual ou superior a 70 °C (ou consulte as regulamentações locais aplicáveis).
- O tubo rígido ou tubo flexível é substituído se apresentar sinais de danos.
- O tubo flexível não está sujeito a um calor excessivo por exposição direta a produtos de combustão ou por contacto com superfícies quentes.
- O conector no qual se encaixa o tubo flexível está preso de forma permanente a um tubo de instalação de gás firmemente fixo e está posicionado de modo a que a mangueira fique pendurada livremente para baixo.
- O encaixe do tubo flexível fica acessível após instalação, de forma a poder ser desconectado para manutenção ou remoção.
- Deve informar o cliente que o tubo rígido ou tubo flexível não deve ser submetido a corrosão por agentes de limpeza.

# MANUTENÇÃO DO GÁS

Para a categoria de gás, verifique a etiqueta dos dados colada no aparelho

| TABELA PARA A ESCOLHA DOS INJETORES                       |                       |                        |                                 |                              |
|---|-----------------------|------------------------|---------------------------------|------------------------------|
| <b>Cat: II 2H 3+</b><br><b>(Países IT-ES-PT-GB-SI-CZ)</b> |                       |                        | <b>G30/G31</b><br>28-30/37 mbar | <b>G20</b><br>20 mbar        |
| <b>Cat: II 2E+3+</b><br><b>(Países FR)</b>                |                       |                        | <b>G30/G31</b><br>28-30/37 mbar | <b>G20/G25</b><br>20/25 mbar |
| <b>Cat: II 2H3B/P</b><br><b>(Países HR-RO-SI-CZ)</b>      |                       |                        | <b>G30/G31</b><br>30/30 mbar    | <b>G20</b><br>20 mbar        |
| QUEIMADORES   | Potência nominal [kW] | Potência reduzida [kW] | Ø injetor [1/100 mm]            | Ø injetor [1/100 mm]         |
| Semi-rápido (SR)  | 1,75                  | 0,45                   | 66                              | 101                          |
| Rápido (R)  | 3,00                  | 0,75                   | 87                              | 129                          |
| Anel duplo (DR)   | 3,80                  | 1,50                   | 98                              | 141                          |

| VENTILAÇÃO DE AR NECESSÁRIA PARA COMBUSTÃO DE AR = (2 m <sup>3</sup> /h x kW) |  |
|---|--|
| QUEIMADORES   | Ar necessário para combustão [m <sup>3</sup> /h] |
| Semi-rápido (SR)  | 3,50   |
| Rápido (R)  | 6,00   |
| Anel duplo (DR)   | 7,60   |

## LUBRIFICAÇÃO DAS TORNEIRAS DE GÁS

Em caso de dificuldade no funcionamento das torneiras de gás, chame a Assistência.

## IMPORTANTE

Todas as intervenções relativas à instalação, manutenção e conversão do aparelho devem ser realizadas com peças de fábrica originais.

O fabricante declina qualquer responsabilidade decorrente do não cumprimento desta obrigação.

## SUBSTITUIÇÃO DOS INJETORES

Selecione os injetores a serem substituídos de acordo com a "Tabela para a escolha de injetores".

Os diâmetros do bocal, expressos em centenas de um milímetros, está marcado no corpo de cada injetor.

**Se os injetores não forem fornecidos, podem ser obtidos no "Centro de Serviço".**

## SUBSTITUIÇÃO DOS INJETORES DOS QUEIMADORES

Para substituir os injetores proceda da seguinte forma:

- Remova os suportes de recipientes e os queimadores da placa.
- Usando uma chave, substitua os injetores do bocal "J" (fig. 2.2, 2.3) pelos mais adequados para o tipo de gás para o qual deve ser usado.

**Os queimadores são concebidos de modo a não necessitarem a regulação do ar primário.**

## REGULAÇÃO DO MÍNIMO DOS QUEIMADORES

Na posição mínima, a chama tem um comprimento de cerca de 4 mm e deve permanecer acesa, mesmo quando se roda rapidamente da posição máxima para a mínima.

O ajuste da chama é realizado do seguinte modo:

- Ligue o queimador.
- Rode a torneira para a posição MÍNIMA.
- Remova o manípulo.
- Com uma pequena chave de parafusos rodar o parafuso "A" para a regulação correta (fig. 2.4).

**Normalmente para o G30/G31 (LPG), o parafuso de regulação é apertado.**

Queimadores semi-rápidos e rápidos

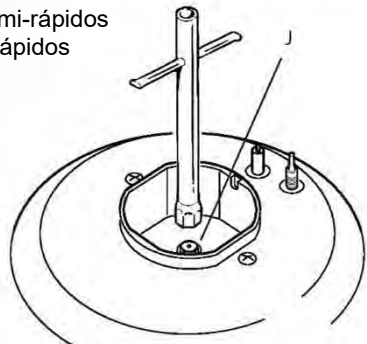


Fig. 2.2

Queimador de anel duplo

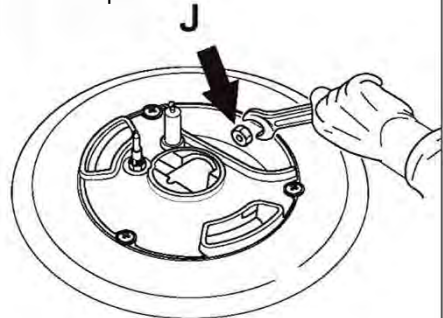


Fig. 2.3

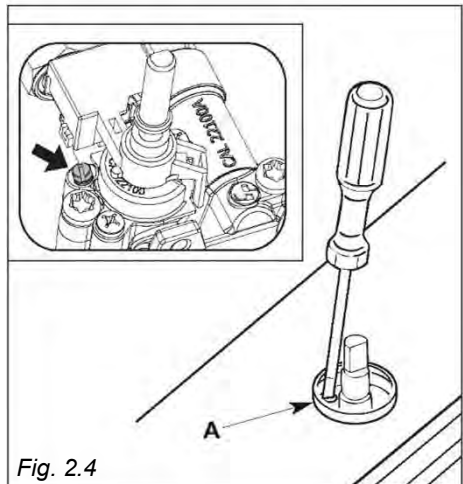


Fig. 2.4

**IMPORTANTE:** O aparelho deve ser instalado por um técnico qualificado de acordo com os regulamentos locais vigentes e em conformidade com as instruções do fabricante. Uma instalação incorreta pode causar danos e danos a pessoas, animais ou objetos, pelos os quais o fabricante não aceita qualquer responsabilidade.

**A conexão a um bom sistema de ligação à terra é absolutamente essencial. O fabricante não aceita qualquer responsabilidade por qualquer inconveniente causado pelo não cumprimento desta regra.**

**Antes de realizar qualquer trabalho na secção elétrica do aparelho, este deve ser desligado da rede elétrica.**

### ASPETOS GERAIS

- A ligação à fonte de alimentação elétrica deve ser efetuada por um técnico qualificado e seguindo os regulamentos de segurança aplicáveis.
  - O aparelho deve ser ligado à rede elétrica certificando-se de que a tensão corresponde ao valor indicado na placa de classificação e que as secções de cabos elétricos podem suportar a carga especificada na placa.
  - Se a placa for fornecida sem ficha, encaixe uma ficha padrão que seja adequada para a potência absorvida pelo aparelho e em conformidade com as regras locais em vigor.
  - As cores dos fios no cabo de alimentação do aparelho não podem corresponder às cores marcadas nos terminais da sua ficha elétrica. A ficha deve ser sempre conectada da seguinte forma:
    - ligue o fio verde/amarelo ao terminal marcado com a letra "E" ou o símbolo de terra "  $\perp$  " ou de cor verde/amarelo;
    - ligue o fio azul ao terminal marcado com a letra "N" ou de cor preta;
    - ligue o fio castanho ao terminal marcado com a letra "L" ou de cor vermelha.
  - A ficha deve estar ligada a um dispositivo de saída ligado à unidade de ligação à terra em conformidade com as normas de segurança.
  - Se o aparelho estiver ligado diretamente à rede elétrica, este deve ser colocado com um interruptor omipolar com abertura mínima entre os contactos de 3 mm entre o aparelho e a rede elétrica.
  - O cabo de alimentação não deve tocar nas peças quentes e deve ser posicionado de modo a não exceder 50°C acima do ambiente.
  - Uma vez instalado o aparelho, o interruptor de alimentação ou a ficha de alimentação devem estar sempre numa posição acessível.
  - Se o cabo de alimentação estiver danificado, deve ser substituído por um cabo adequado disponível no serviço pós-venda.
  - O aparelho deve ter a sua própria fonte de alimentação; quaisquer outros aparelhos instalados perto dele devem ter uma fonte de alimentação separada.
    - **N.B. Para conexão à rede elétrica, não use adaptadores, redutores ou ramificação, pois podem causar aquecimento excessivo e queimadura.**
    - **Se a superfície da placa estiver rachada, desligar o aparelho da rede e contactar o serviço pós-venda.**
- No caso de a instalação necessitar de modificações no sistema de alimentação elétrica, recomenda-se chamar um técnico qualificado para realizar a substituição. O técnico terá também de verificar se a secção transversal dos cabos elétricos corresponde à potência nominal do aparelho.



## SUBSTITUIÇÃO DO CABO DE ALIMENTAÇÃO

**AVISO:** Se o cabo de alimentação estiver danificado, este deve ser substituído apenas por um agente de serviço autorizado, a fim de evitar um perigo.

Use o mesmo tipo de cabo de alimentação.

Este cabo deve ser conectado ao bloco do terminal seguindo o diagrama da figura 3.1.

**NOTA:** O condutor de terra deve ser cerca de 3 cm mais comprido do que os outros.

As operações devem ser executadas por um técnico qualificado.

## SECÇÃO DO CABO DE ALIMENTAÇÃO

TIPO "H05V2V2-F"

(resistente a temperaturas de 90°C)

220-240 V 50-60 Hz 3 x 0,75 mm<sup>2</sup> (\*) (\*\*)

(\*) Conexão possível com ficha e tomada

(\*\*) Conexão com a conexão da caixa de parede.

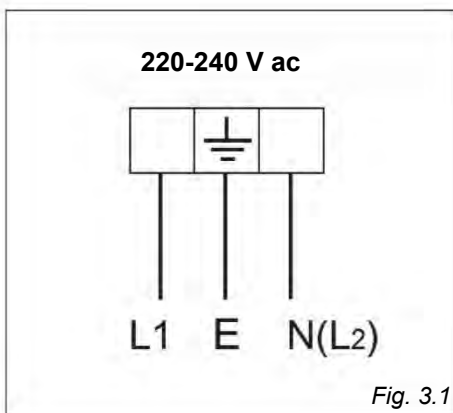


Fig. 3.1



# Conselhos para os utilizadores

# 1

## CARACTERÍSTICAS

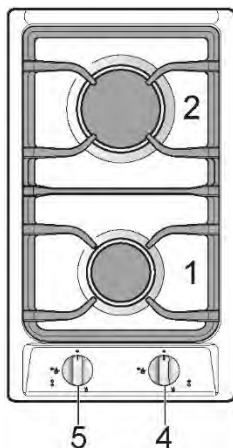


Fig. 1.1a

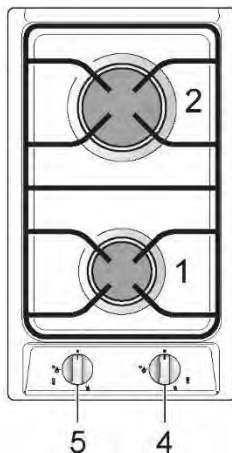


Fig. 1.1b

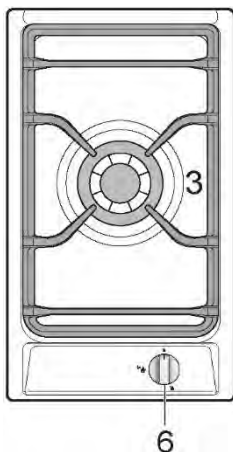


Fig. 1.2a

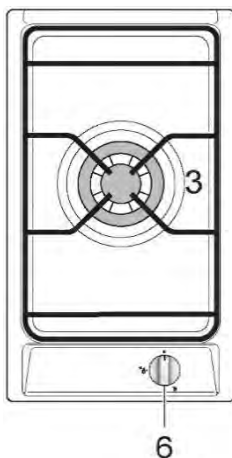


Fig. 1.2b

**Cuidado!**  
Não cubra a placa com folhas de alumínio.

**NOTA:**  
Os botões e símbolos podem variar.

## **PONTOS DE COZEDURA**

1. Queimador semi-rápido (SR) 1,75 kW
2. Queimador rápido (R) 3,00 kW
3. Queimador de anel duplo (DC) 3,80 kW

## **DESCRIÇÃO DO PAINEL DE CONTROLO**

4. Botão de controlo do queimador rápido (2)
5. Botão de controlo do queimador semi-rápido (1)
6. Botão de controlo de queimador de anel duplo (3)

### **NOTA:**

- A ignição elétrica está incorporada nos botões.
- O aparelho tem um sistema de válvula de segurança instalado, o fluxo de gás será interrompido se e quando a chama se apaga acidentalmente.

### **CUIDADO:**

Se o queimador se apagar acidentalmente, desligue o gás no botão de controlo e aguarde pelo menos 1 minuto antes de tentar voltar a acender.

### **CUIDADO:**

As placas de gás produzem calor e humidade no ambiente em que estão instaladas. Certifique-se de que a área de cozedura é bem ventilada, através da abertura das grelhas de ventilação naturais ou instalando um exaustor ligado a uma conduta de saída.

### **CUIDADO:**

Se a placa for utilizada durante um período prolongado, pode ser necessário assegurar uma ventilação adicional abrindo uma janela ou aumentando a potência de aspiração do exaustor (se instalado).

## 2 QUEIMADORES DE GÁS

### QUEIMADORES DE GÁS

O fluxo de gás para os queimadores é ajustado rodando os botões (ilustrado na fig. 2.1) que controlam as válvulas de segurança. Rodar o botão, de modo que a linha indicadora aponte para os símbolos impressos no painel, alcança as seguintes funções:

- símbolo ● válvula fechada
- símbolo ✨💧 abertura ou fluxo máximo
- símbolo 💧 abertura ou fluxo mínimo

- A posição máxima de abertura permite uma rápida ebulição dos líquidos, enquanto a posição mínima de abertura permite um aquecimento mais lento dos alimentos ou manter as condições de ebulição dos líquidos.
- Para reduzir o fluxo de gás para o mínimo rodar o botão para a esquerda para apontar o indicador para o símbolo da chama pequena.
- Outros ajustes de operação intermediários podem ser alcançados posicionando o indicador entre as posições máxima e mínima de abertura, e nunca entre as posições de abertura e fecho máximos.

NOTA: O botão e os símbolos podem variar.

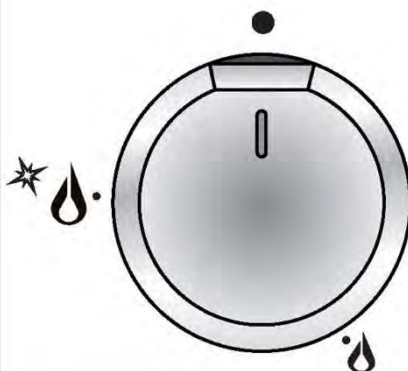


Fig. 2.1


**Cuidado!**  
Não cubra a placa com folhas de alumínio.

**Cuidado!**  
A placa torna-se muito quente durante o funcionamento.  
Mantenha as crianças fora do alcance.

**N.B.** Quando a placa não estiver a ser usada, coloque os botões de gás nas posições fechadas e feche também a válvula de torneira na garrafa de gás ou na linha de distribuição de gás principal.

## QUEIMADORES DE ILUMINAÇÃO A GÁS EQUIPADOS COM DISPOSITIVO DE VÁLVULA DE SEGURANÇA

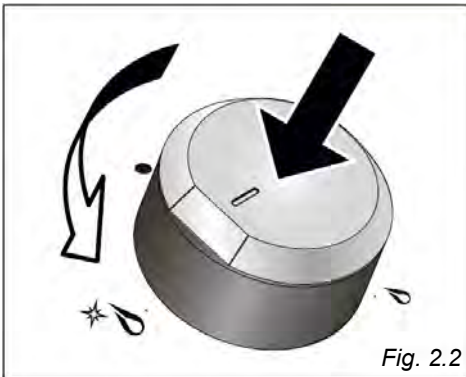
Para acender o queimador, devem ser seguidas as seguintes instruções:

1. Prima no botão correspondente e rode no sentido contrário ao dos ponteiros do relógio (fig. 2.2) para a posição da chama cheia marcada pelo símbolo de  (fig. 2.1); segure o botão até que a chama esteja acesa.  
No caso de uma falha de eletricidade acenda o queimador com um fósforo ou isqueiro.
2. Aguarde alguns segundos após o queimador de gás ter sido aceso antes de deixar o botão (atraso da ativação da válvula).
3. Ajuste a válvula de gás na posição desejada.

Se a chama do queimador sair para fora por algum motivo, a válvula de segurança para automaticamente o fluxo de gás.

Para voltar a acender o queimador, devolva o botão para a posição fechada "●", **aguarde pelo menos 1 minuto** e, em seguida, repita o procedimento de iluminação.

**Nota:** Se o seu fornecimento de gás local tornar difícil iluminar o queimador com o botão ajustado no máximo, ajuste o botão para o mínimo e repita a operação.



## ESCOLHA DO QUEIMADOR

No painel de controlo, perto de cada botão há um diagrama que indica qual o queimador que é controlado por esse botão.

O queimador adequado deve ser escolhido de acordo com o diâmetro e a capacidade utilizada.

Os queimadores e as peças devem ser utilizados de acordo com as seguintes instruções:

### DIÂMETROS DAS PANELOS QUE PODEM SER UTILIZADAS NOS QUEIMADORES

| QUEIMADORES     | MÍNIMO | MÁXIMO    |
|-----------------|--------|-----------|
| Semi-rápido (*) | 16 cm  | 22 cm     |
| Rápido          | 22 cm  | 26 cm     |
| Anel triplo     | 24 cm  | 28 cm     |
| Wok             | -      | Máx 36 cm |

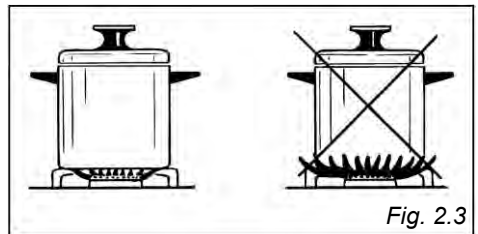
**não utilizar painelas com bases côncavas ou convexas**

(\*) com grelha para pequenos utensílios de cozinha: diâmetro mínimo de 6 cm (só para os modelos fornecidos com grelha para pequenas painelas)

É importante que o diâmetro da panela seja adequado à potencialidade do queimador de modo a não comprometer o elevado rendimento dos queimadores desperdiçando assim energia. Uma panela pequena com um queimador grande não lhe dá um ponto de ebulição em menos tempo, uma vez que a capacidade de absorção de calor de uma massa líquida depende do volume e da superfície da panela.

**CUIDADO:** Certifique-se de que as painelas estão centradas no queimador para máxima estabilidade e maior eficiência.

Certifique-se de que as painelas não estão em contacto com os botões de controlo, caso contrário a chama pode aquecer demasiado os botões e danificá-los permanentemente.



## GRELHA AUXILIAR PARA PANEAS PEQUENAS (opcional)

Esta grelha deve ser colocada em cima do queimador auxiliar (mais pequeno) quando se usam frigideiras de diâmetro pequeno para impedir que tombem.

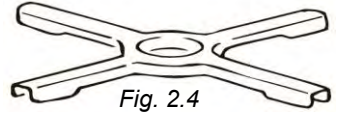


Fig. 2.4

## USO CORRETO DO QUEIMADOR DE ANEL DUPLO

(modelos com queimador de anel duplo apenas)

- Para usar o WOK tem de colocar o suporte adequado (se o adaptador para wok não for fornecido com o aparelho, está disponível como acessório a um custo adicional) a fim de evitar qualquer operação defeituosa do queimador de anel duplo (fig. 2.5a - 2.5b - 2.6a - 2.6b).
- As panelas de fundo plano devem ser colocadas diretamente no suporte de panelas.

### IMPORTANTE:

- A grelha especial para woks (fig. 2.5b - 2.6b) **APENAS DEVE SER COLOCADA** sobre o descanso de panelas para o queimador de anel duplo.

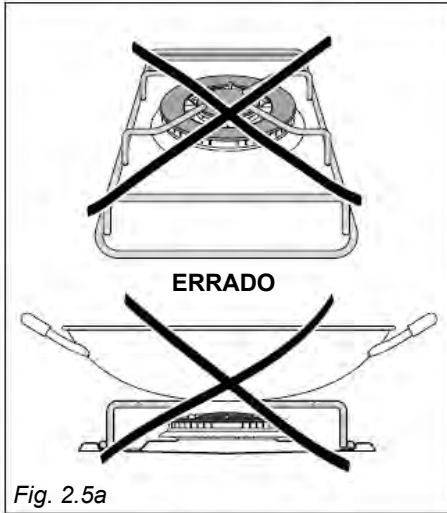


Fig. 2.5a

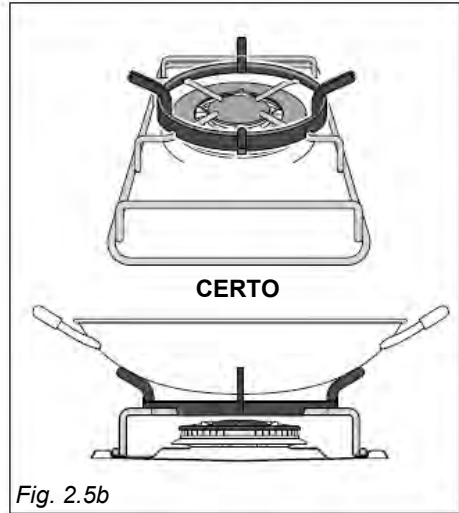


Fig. 2.5b

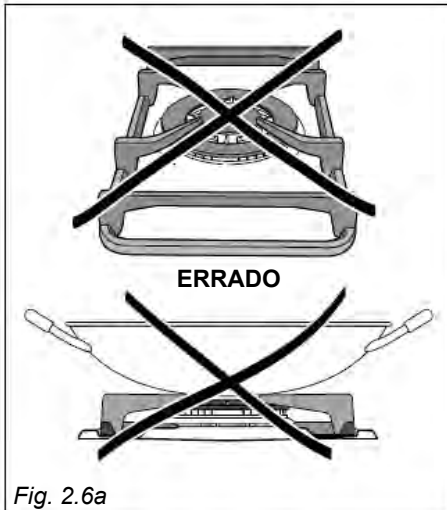


Fig. 2.6a

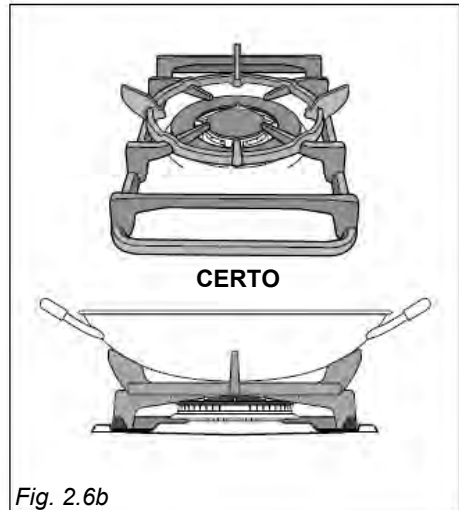


Fig. 2.6b



## CONSELHO GERAL

- **Antes de começar a limpeza, deve certificar-se de que a placa está desligada.**
- É aconselhável limpar quando o aparelho está frio e especialmente quando se limpam peças esmaltadas.
- Todas as superfícies esmaltadas têm de ser lavadas com água e sabão ou outro produto não abrasivo com uma esponja e devem ser secas de preferência com um pano macio.
- Evite deixar substâncias alcalinas ou ácidas (sumo de limão, vinagre, etc.) sobre as superfícies.
- **Não utilize produtos de limpeza à base de cloro ou ácido.**
- **Importante: Recomenda-se a utilização de vestuário/luvas de proteção adequados ao manusear ou limpar este aparelho.**
- **Em caso algum, caso as coberturas externas devem ser removidas para fins de serviço ou de manutenção, exceto por pessoal qualificado adequado.**
- Limpe as superfícies com um pano húmido e utilize produtos de limpeza suaves e neutros. Seque com um pano limpo e seco.
- **IMPORTANTE:** Não utilize nenhum produto abrasivo (por exemplo, alguns tipos de esponja) e/ou produtos agressivos (por exemplo, soda cáustica, produtos que contenham substâncias corrosivas), que possam causar danos irreparáveis na superfície.

## AVISO

**Quando instalado corretamente, o produto cumpre todos os requisitos de segurança previstos para este tipo de categoria de produto. No entanto, deve ter-se especial cuidado com a parte inferior do aparelho, uma vez que esta área não é concebida ou destinada a ser tocada e pode conter arestas afiadas ou rugosas, que podem causar ferimentos.**

## PEÇAS ESMALTADAS

Todas as peças esmaltadas devem ser limpas apenas com uma esponja e água e sabão ou outros produtos não abrasivos.

Seque de preferência com um pano de microfibra ou macio.

Se substâncias ácidas como sumo de limão, concentrado de tomate, vinagre, etc. forem deixadas no esmalte durante longo tempo, vão corroê-lo, tornando-o opaco.

## SUPERFÍCIES DE AÇO INOXIDÁVEL

As peças de aço inoxidável devem ser enxaguadas com água e secas com um pano macio e limpo.

Para a sujidade persistente, utilize produtos não abrasivos específicos disponíveis comercialmente ou um pouco de vinagre quente.

**Importante: O fabricante declina toda a responsabilidade por possíveis danos causados pela utilização de produtos impróprios para limpar o aparelho.**

**Atenção! O aparelho fica muito quente, principalmente em torno das áreas de cozinha. É muito importante que as crianças não sejam deixadas sozinhas na cozinha quando está a cozinhar.**

**Não use um limpador a vapor porque a humidade pode entrar no aparelho, tornando-o inseguro.**

## PEÇAS PINTADAS E SUPERFÍCIES IMPRESSAS EM SERIGRAFIA

Limpe utilizando um produto adequado. Seque sempre bem.

**IMPORTANTE:** estas peças devem ser limpas com muito cuidado para evitar arranhões e abrasão. Recomendamos usar um pano macio e sabão neutro.

**CUIDADO:** Não utilize substâncias abrasivas nem detergentes não neutros, uma vez que estes irão danificar a superfície de forma irreparável.

**Nota:** O uso contínuo pode causar uma alteração no brilho ao redor dos queimadores, correspondente às áreas expostas ao calor.

## TORNEIRAS DE GÁS

Não deixe que os produtos de limpeza entrem em contato com as válvulas.

A lubrificação periódica das torneiras de gás deve ser feita apenas por pessoal especializado. Em caso de falhas de operação nas torneiras de gás, ligue para o Departamento de Serviços.

## QUEIMADORES E SUPORTES PARA PANEIS

Estas partes devem ser limpas com uma esponja e água com sabão ou outros produtos não abrasivos adequados. Seque com um pano macio.

**Aviso! Não é seguro para máquinas de lavar louça.**

Após a limpeza, os queimadores e os espalhadores de chama devem ser bem secos e novamente colocados nos lugares certos.

É muito importante verificar se o espalhador de chama do queimador e a tampa foram corretamente posicionados. Caso contrário, pode causar problemas graves.

Verifique se o eletrodo "S" (fig. 3.1, 3.3) ao lado de cada queimador está sempre limpo para garantir que funciona sem problemas.

Verifique se a sonda "T" (fig. 3.1, 3.3) ao lado de cada queimador está sempre limpa para garantir o funcionamento correto das válvulas de segurança.

**Tanto a sonda como a ficha de ignição devem ser limpas com muito cuidado.**

**Nota:** Para evitar danos na ignição elétrica não a utilize quando os queimadores não estiverem no lugar.

**Nota:** O uso contínuo pode causar uma alteração no brilho ao redor dos queimadores e grelhas, correspondente às áreas expostas ao calor. Trata-se de um fenômeno natural e não impede que as peças funcionem adequadamente.

## SUBSTITUIÇÃO CORRETA DO QUEIMADOR SEMI-RÁPIDO E RÁPIDO

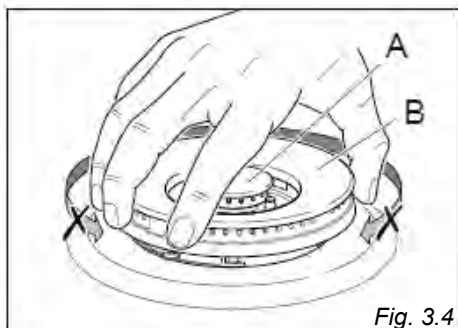
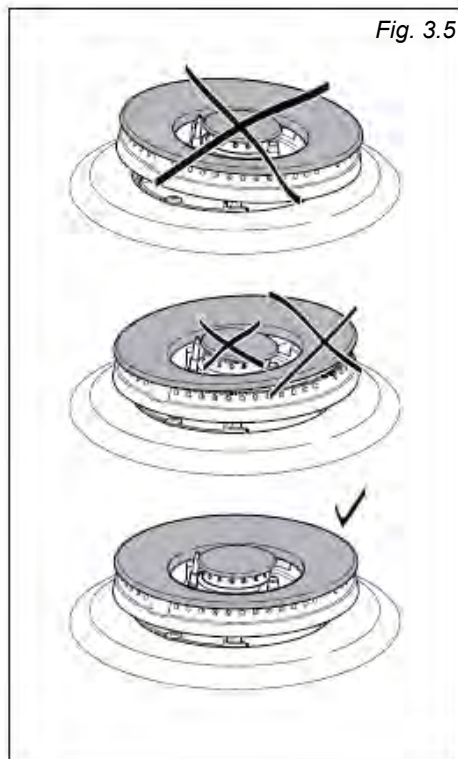
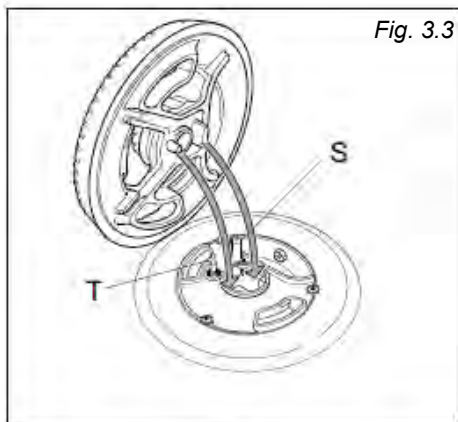
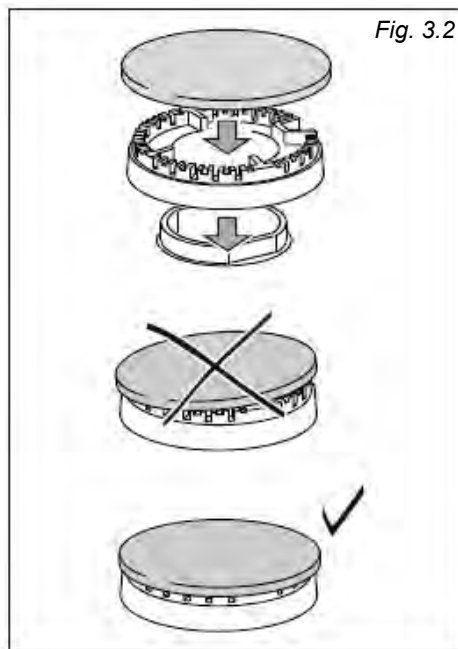
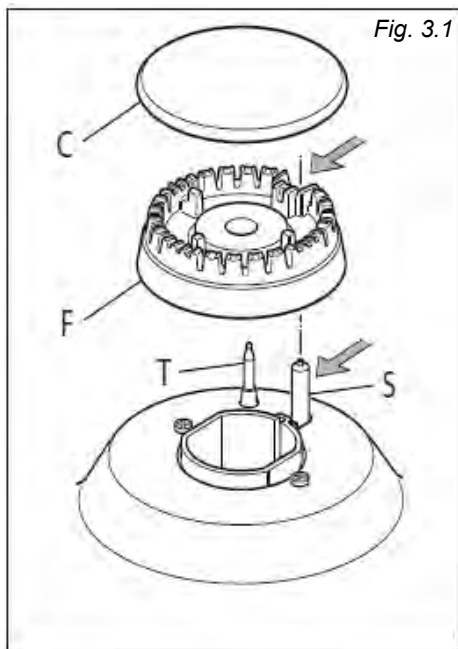
É muito importante verificar se o distribuidor da chama do queimador "F" e a tampa "C" estão corretamente posicionados (ver fig. 3.1, 3.2) - o não cumprimento pode causar problemas graves.

## COLOCAÇÃO CORRETA DO ANEL DUPLO (apenas alguns modelos)

O queimador deve estar corretamente posicionado; o que não pode causar problemas graves.

Instalar o espalhador de chama no alojamento, conforme indicado nas setas (ver fig. 3.3, 3.4, 3.5).

O queimador corretamente posicionado não deve rodar (fig. 3.5).



## **Stimate client,**

*Vă mulțumim pentru că ați achiziționat unul din produsele noastre. Măsurile de siguranță și recomandările descrise mai jos sunt destinate siguranței dumneavoastră și a altora. Ele vor oferi, de asemenea, o modalitate pentru utilizarea completă a funcțiilor oferite de aparatul dumneavoastră.*

*Păstrați cu grijă această broșură. Aceasta vă poate folosi pe viitor, fie dvs., fie altora, în cazul în care ar apărea îndoiele legate de funcționarea aparatului.*

***Acest aparat trebuie utilizat numai pentru sarcina pentru care a fost proiectat în mod explicit, adică pentru gătitul alimentelor. Orice altă formă de utilizare trebuie considerată inadecvată și, prin urmare, periculoasă.***

***Producătorul nu își asumă niciun fel de răspundere în cazul avariilor cauzate de utilizarea necorespunzătoare, incorectă sau illogică a aparatului.***

## **DECLARAȚIE DE CONFORMITATE CE**

- Acest aparat a fost conceput pentru a fi utilizat exclusiv pentru gătit. Orice altă utilizare (cum ar fi încălzirea unei încăperi) este necorespunzătoare și periculoasă.
- Acest aparat a fost proiectat, construit și comercializat în conformitate cu:
  - Cerințe de siguranță ale Regulamentului „Gaze” (UE) 2016/426;
  - Cerințe de siguranță ale Directivei „Joasă tensiune” 2014/35/UE;
  - Cerințe de siguranță ale Directivei „EMC” 2014/30/UE;
  - Cerințe ale Directivei UE 93/68/CEE;
  - Cerințe ale Directivei UE 2011/65/UE.



## PRECAUȚII ȘI RECOMANDĂRI IMPORTANTE DE SIGURANȚĂ

**IMPORTANT:** Acest aparat este conceput și fabricat exclusiv pentru gătitul alimentelor pentru uz casnic și nu este potrivit pentru nicio aplicație care nu este de acest fel; prin urmare, nu trebuie utilizat într-un mediu comercial.

Utilizarea aparatului într-un mediu non-casnic, adică într-un mediu semi-comercial, comercial sau comunal, duce la pierderea garanției.

**Citiți cu atenție instrucțiunile înainte de a instala și utiliza aparatul.**

- Acest aparat a fost proiectat și fabricat în conformitate cu standardele aplicabile pentru produsele de gătit de uz casnic și îndeplinește toate cerințele de siguranță prezentate în acest manual, inclusiv cele privind temperaturile suprafeței.  
Unele persoane cu pielea sensibilă pot avea o percepție mai pronunțată a temperaturii la anumite componente, deși aceste piese sunt în limitele permise de norme.  
Siguranța deplină a aparatului depinde și de utilizarea corectă, de aceea vă recomandăm să acordați întotdeauna o atenție extremă în timpul utilizării produsului, mai ales în prezența copiilor.
- După ce ați despachetat aparatul, verificați pentru a vă asigura că nu este deteriorat.  
În caz de îndoială, nu îl utilizați și consultați furnizorul sau un tehnician calificat profesional.
- Elementele de ambalare (de exemplu, pungi de plastic, spumă de polistiren, cuie, curele de ambalare etc.) nu trebuie lăsate la îndemâna copiilor, deoarece acestea pot provoca răni grave.
- Unele aparate sunt furnizate cu folie de protecție pe piesele din oțel și aluminiu. **Această folie trebuie îndepărtată înainte de a utiliza aparatul.**
- **IMPORTANT:** Folosirea îmbrăcăminte/mănușilor de protecție adecvate este recomandată atunci când manipulați sau curățați acest aparat.

- Nu încercați să modificați caracteristicile tehnice ale aparatului, deoarece acest lucru poate face ca aparatul să devină periculos de utilizat. Producătorul nu își asumă niciun fel de răspundere pentru orice neplăcere cauzată de nerespectarea acestei condiții.
- **ATENȚIE:** acest aparat trebuie instalat numai într-o încăpere permanent ventilată, în conformitate cu reglementările aplicabile.
- Nu utilizați aparatul cu ajutorul unui cronometru extern sau al unui sistem de control la distanță separat.
- Nu efectuați operațiuni de curățare sau întreținere a aparatului fără a-l deconecta în prealabil de la sursa electrică.
- Nu folosiți o mașină de curățat cu abur, deoarece umiditatea poate pătrunde în aparat, făcându-l nesigur.
- Nu acoperiți plita cu folii de aluminiu.
- Nu atingeți cu mâinile sau picioarele ude aparatul.
- Nu utilizați aparatul în timp ce sunteți în picioarele goale.
- Dacă decideți să nu mai utilizați acest aparat (sau să decideți să înlocuiți un alt model), înainte de a-l arunca, se recomandă ca acesta să fie dezafectat în mod corespunzător, în conformitate cu reglementările privind sănătatea și protecția mediului, asigurându-vă în special că toate piesele potențial periculoase sunt inofensive, în special pentru copiii care s-ar putea juca cu aparatele nefolosite.
- Diferite componente ale aparatului sunt reciclabile. Eliminați-le în conformitate cu reglementările în vigoare în țara dumneavoastră. Dacă aparatul urmează să fie casat, scoateți cablul de alimentare.
- După utilizare, asigurați-vă că butoanele/comenzile sunt în poziția oprit.
- Copiii cu vârsta mai mică de 8 ani vor fi ținuți la distanță, mai puțin când sunt supravegheați permanent.
- Acest aparat poate fi utilizat de către copiii cu vârste de minim 8 ani și de către persoanele cu abilități fizice, senzoriale sau mentale reduse sau cu lipsă de experiență sau cunoștințe, cu condiția să fie supravegheate sau instruite corespunzător privind modul de utilizare a acestui aparat în siguranță și să înțeleagă pericolele implicate. Nu lăsați copiii să se joace cu aparatul. Curățarea și întreținerea de către utilizator nu vor fi efectuate de copii fără supraveghere.
- Producătorul nu își asumă niciun fel de răspundere pentru rănirea persoanelor sau daunele materiale cauzate de utilizarea incorectă sau necorespunzătoare a aparatului.

- **AVERTISMENT:** În timpul utilizării, aparatul și părțile sale accesibile devin fierbinți; acestea continuă să fie fierbinți un timp după ce au fost utilizate.
  - Trebuie să fiți atenți pentru a evita atingerea elementelor de încălzire de pe plită.
  - Pentru a evita arsurile și opăririle, copiii mici trebuie ținuti la distanță.
- Asigurați-vă că cablurile electrice care conectează alte aparate din apropierea plitei de gătit nu pot intra în contact cu plita.
- **AVERTISMENT:** Gătitul nesupravegheat pe o plită cu grăsime sau ulei poate fi periculos și poate duce la incendiu. Nu încercați NICIODATĂ să stingeți un incendiu cu apă, ci opriți aparatul și apoi acoperiți flacăra, de ex., cu un capac sau o pătură ignifugă.
- **AVERTISMENT:** Pericol de incendiu: nu depozitați articolele pe suprafețele de gătit.
- **AVERTISMENT:** Când este instalat corect, produsul dumneavoastră îndeplinește toate cerințele de siguranță stabilite pentru acest tip de categorie de produse. Cu toate acestea, trebuie acordată o atenție deosebită zonei din jurul părții inferioare a aparatului, deoarece aceasta nu este proiectată sau prevăzută pentru a fi atinsă și poate prezenta margini ascuțite sau aspre, care pot cauza vătămări.
- **ATENȚIE:** Procesul de gătit trebuie supravegheat. Procesul de gătit scurt trebuie supravegheat permanent.
- În cazul în care cablul de alimentare este deteriorat, acesta trebuie înlocuit numai de un agent de service autorizat, pentru a evita un pericol.
- Dacă aparatul nu este prevăzut cu cablu de alimentare și ștecher sau cu alte mijloace de deconectare de la rețeaua de alimentare având o separare a contactelor la toți polii care asigură deconectarea completă în condiții de supratensiune de categoria III, mijloacele de deconectare trebuie să fie încorporate în cablarea fixă în conformitate cu regulile de cablare.
- **AVERTISMENT:** Aparatul și piesele sale accesibile se încing în timpul utilizării.  
Trebuie să fiți atenți pentru a evita atingerea elementelor de încălzire. Copiii cu vârsta mai mică de 8 ani vor fi ținuti la distanță, mai puțin când sunt supravegheați permanent.

- **AVERTISMENT:** Folosiți doar protecții ale plitei concepute de producătorul aparatului de gătit sau indicate de producătorul aparatului în instrucțiunile de utilizare, după caz, sau protecții ale plitei încorporate în aparat. Utilizarea unor dispozitive de protecție necorespunzătoare poate provoca accidente.

## **ETICHETAREA PRIVIND CONSUMUL DE ENERGIE/ECOPROIECTARE**

- Regulamentul (UE) nr. 66/2014 al Comisiei (de punere în aplicare a Directivei 2009/125/CE a Parlamentului European și a Consiliului).

Referitor la metodele de măsurare și calcul utilizate pentru a stabili conformitatea cu cerințele de mai sus:

- Standard EN30-2-1 (plite: arzătoare pe gaz).

## **UTILIZAREA APARATULUI, SFATURI DE ECONOMISIRE A ENERGIEI**

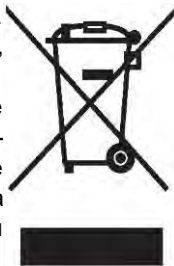
### **PLITĂ**

#### **ARZĂTOARE PE GAZ**

- Este important ca diametrul oalei să fie potrivit potențialului arzătorului pentru a nu compromite randamentul mare al arzătoarelor și provoca astfel o risipă de energie. O oală mică pe un arzător mare nu va ajunge la punctul de fierbere într-un timp scurt, deoarece capacitatea de absorbție a căldurii a unei mase lichide depinde de volumul și suprafața oalei.
- Evitați să țineți un arzător aprins fără a avea ceva pe el (fără oală).

## **INFORMAȚII IMPORTANTE PENTRU ELIMINAREA CORECTĂ A PRODUSULUI ÎN CONFORMITATE CU DIRECTIVA CE 2012/19/UE.**

La sfârșitul duratei de viață, produsul nu trebuie eliminat ca deșeu urban. Acesta trebuie predat unui centru special de colectare separată a deșeurilor, prevăzut de autoritățile locale sau unui distribuitor care oferă acest serviciu. Eliminarea separată a unui aparat de uz casnic evită posibilele consecințe negative asupra mediului și sănătății rezultate din eliminarea necorespunzătoare și permite recuperarea materialelor constitutive pentru a obține economii semnificative de energie și resurse. Pentru a vă aminti necesitatea de a arunca separat aparatele electrocasnice, produsul este marcat cu simbolul unei pubele cu roți barate.





# Recomandare pentru instalator

## IMPORTANT:

- Aparatul este proiectat și aprobat numai pentru uz casnic și nu trebuie instalat într-un mediu comercial, semi-comercial sau comunal.  
**Produsul dumneavoastră nu va fi acoperit de garanție dacă este instalat în oricare dintre mediile de mai sus și ar putea afecta orice asigurări de răspundere civilă sau asigurări terțe pe care le aveți.**
- Acest aparat trebuie instalat, reglat și adaptat pentru a funcționa, numai de către o persoană autorizată, în conformitate cu reglementările locale în vigoare și cu respectarea instrucțiunilor furnizate de producător.  
Nerespectarea acestei condiții va duce la anularea garanției.
- Aparatul trebuie instalat în conformitate cu reglementările în vigoare din țara dumneavoastră și cu respectarea instrucțiunilor producătorului.
- Tehnicienii instalatori trebuie să respecte legile în vigoare privind aerisirea și evacuarea gazelor de evacuare.
- Instalarea incorectă, pentru care producătorul nu își asumă răspunderea, poate cauza vătămări corporale sau daune.
- Acest aparat trebuie întreținut numai de personal autorizat.
- Deconectați întotdeauna aparatul de la sursa de alimentare înainte de a efectua orice operațiuni de întreținere sau reparații.
- **Important: Se recomandă folosirea îmbrăcămintei/mănușilor de protecție adecvate la manipularea sau curățarea acestui aparat.**
- **Aceste blaturi sunt proiectate pentru a fi încorporate în corpurile de bucatărie cu o adâncime de 600 mm, în suprafețe de lucru cu o grosime de 30 până la 40 mm.**
- **Aparatul trebuie încorporat în unități rezistente la căldură.**
- **Pereții unităților nu trebuie să fie mai înalți decât blatul de lucru și trebuie să poată rezista la temperaturi cu 105 °C peste temperatura camerei.**
- **Menționăm că adezivul care leagă laminatul plastic de mobilier trebuie să reziste la temperaturi de cel puțin 150 °C pentru a evita dezlipirea.**
- **Nu instalați aparatul în apropierea caloriferelor sau a materialelor inflamabile (de exemplu, perdele).**

## AVERTIZARE!

Când este instalat corect, produsul dumneavoastră îndeplinește toate cerințele de siguranță stabilite pentru acest tip de categorie de produse. Cu toate acestea, trebuie acordată o atenție deosebită zonei din jurul părții inferioare a aparatului, deoarece aceasta nu este proiectată sau prevăzută pentru a fi atinsă și poate prezenta margini ascuțite sau aspre, care pot cauza vătămări.

# 1 INSTALARE

## INFORMAȚII TEHNICE PENTRU INSTALATOR

- Pentru a instala blatul plitei în corpul de bucătărie, trebuie să perforați un orificiu cu dimensiunile prezentate în fig. 1.1, ținând cont de următoarele:
- Trebuie prevăzut un spațiu de ventilație de 30 mm între partea inferioară a aparatului și orice dulap, sertar sau aparat.
- Dacă, după instalare, baza plitei este accesibilă printr-un dulap sau un sertar, nu este necesară o barieră de protecție termică.
- Dacă plita este instalată deasupra unui cuptor, cele două aparate vor fi conectate la sursa de gaz și/sau electrică cu conexiuni separate.
- Blatul plitei trebuie ținut la cel puțin 100 mm distanță de orice perete lateral (de la marginea laterală a decupajului - fig. 1.1).
- Plita trebuie instalată la cel puțin 50 mm de perete (de la marginea din spate a decupajului - fig. 1.2).
- Trebuie să existe o distanță de cel puțin 650 mm între plită și orice dulap de perete sau hotă poziționată imediat deasupra (consultați fig. 1.1).

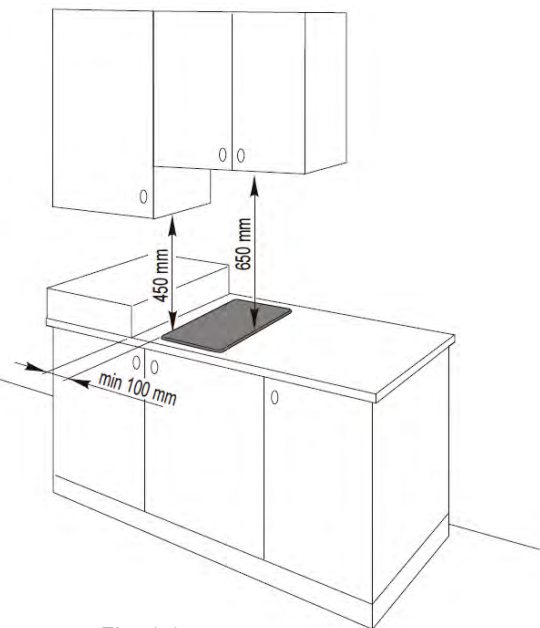


Fig. 1.1

**Nu instalați aparatul în apropierea caloriferelor sau a materialelor inflamabile (de exemplu, perdele).**

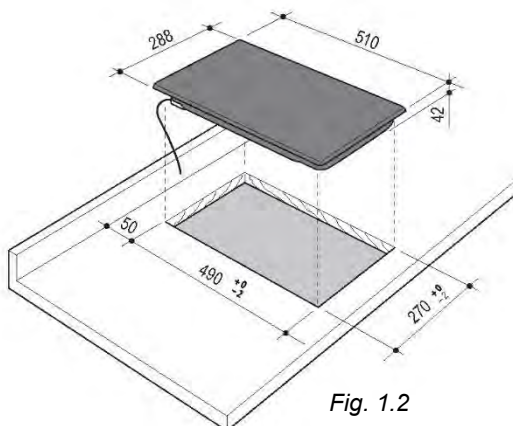


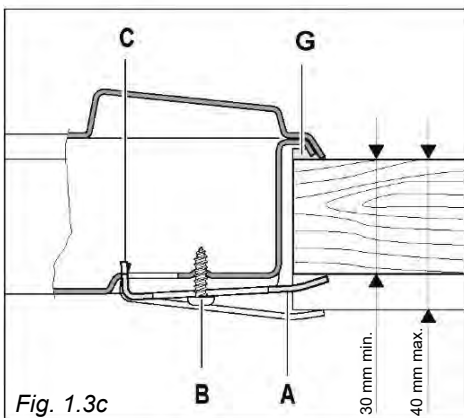
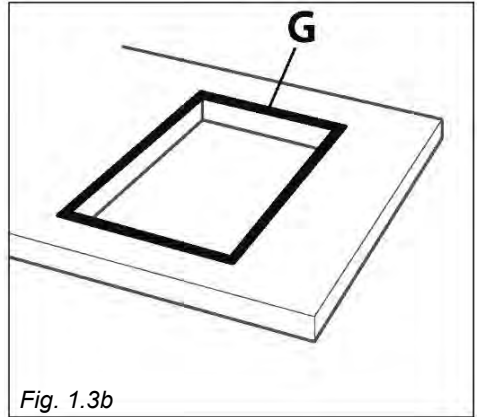
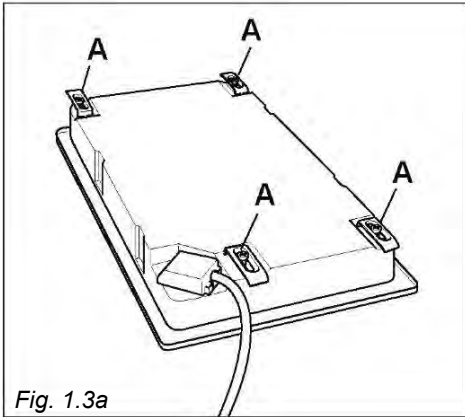
Fig. 1.2

## FIXAREA PLITEI (figurile 1.3a, 1.3b, 1.3c)

Fiecare plită este prevăzută cu un kit de instalare, care include suporturi și șuruburi pentru fixarea plitei pe blaturi cu grosimea între 30 și 40 de mm.

Setul include 4 cleme „A” și 4 șuruburi autofiletante „B”.

- Decupați unitatea.
- Întindeți garnitura „G” peste marginea orificiului perforat, având grijă să suprapuneți marginile de joncțiune (fig. 1.3b).
- Întoarceți plita și puneți clemele „A” (fig. 1.3a) în suporturi, strângeți șuruburile „B” doar câteva ture. Clemele trebuie să fie montate corect, așa cum se arată în figura 1.3c. Întoarceți clemele astfel încât plita să poată fi introdusă în orificiu.
- Puneți plita în orificiul decupat în unitate și poziționați-o corect.
- Puneți clemele „A” în poziția lor; dintele „C” al clemelor trebuie să intre în orificiu.
- Strângeți șuruburile „B” până când plita este complet fixată.
- Folosind o unealtă ascuțită, tăiați partea din garnitură „G” care depășește contururile plitei. Aveți grijă să nu deteriorați blatul de lucru.



## CERINȚE PRIVIND AERISIREA

Aparatul trebuie instalat în conformitate cu reglementările locale aplicabile privind ventilația și evacuarea gazelor de evacuare.

Utilizarea intensivă și prelungită poate necesita o ventilație suplimentară, de exemplu, deschiderea unei ferestre sau o ventilație mai eficientă, mărind puterea mecanică de aspirație, dacă acesta este prevăzut.

## ALEGEREA AMPLASĂRII CORESPUNZĂTOARE

Încăperea în care urmează să fie instalat aparatul pe gaz trebuie să aibă un flux natural de aer, astfel încât gazul să poată arde (în conformitate cu reglementările locale aplicabile).

Fluxul de aer trebuie să provină direct din una sau mai multe deschideri realizate în pereții exteriori, cu o suprafață liberă de cel puțin  $100 \text{ cm}^2$  (sau consultați reglementările locale aplicabile).

Deschiderile trebuie să fie în apropierea podelei și, de preferință, în partea opusă evacuării produselor de ardere și trebuie făcute astfel încât să nu poată fi blocate nici din interior, nici din exterior.

Atunci când aceste deschideri nu pot fi realizate, aerul necesar poate proveni dintr-o încăpere adiacentă care este ventilată după cum este necesar, atâta timp cât nu este un dormitor sau o zonă periculoasă (în conformitate cu reglementările locale aplicabile).

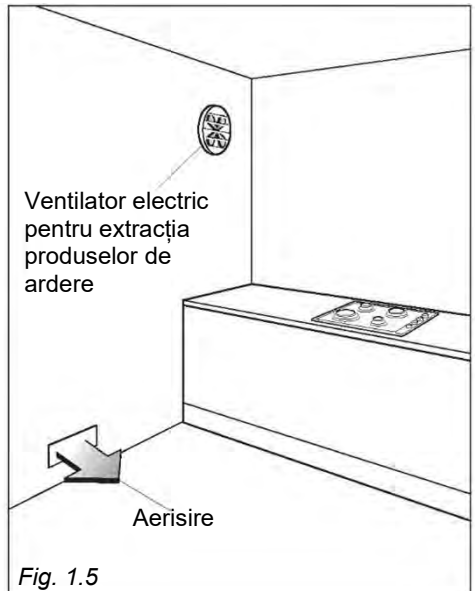
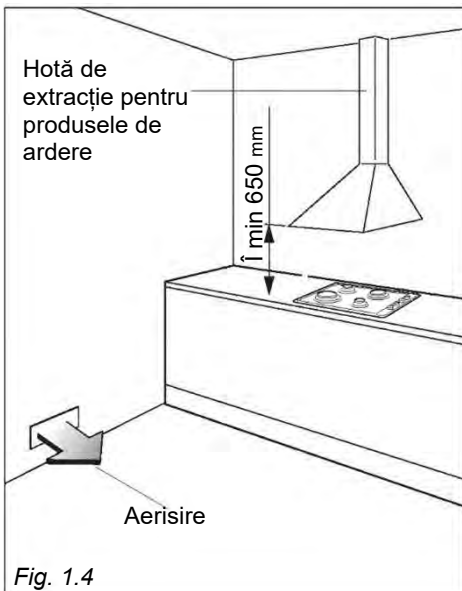
În acest caz, ușa bucătăriei trebuie să permită trecerea aerului.

## EVACUAREA PRODUSELOR DE COMBUSTIE

Trebuie să existe hote conectate direct la exterior, pentru a permite evacuarea produselor de ardere a aparatului cu gaz (fig. 1.4).

Dacă acest lucru nu este posibil, se poate folosi un ventilator electric, montat pe peretele exterior sau pe fereastră; ventilatorul trebuie să aibă o capacitate de circulație a aerului la un ritm pe oră de 3-5 ori volumul total al bucătăriei (fig. 1.5).

Ventilatorul poate fi instalat numai dacă încăperea are orificii de aerisire adecvate pentru a permite pătrunderea aerului, așa cum se descrie în capitolul „Alegerea amplasării corespunzătoare”.



## 2 SECȚIUNEA DE GAZ

### CERINȚE PENTRU INSTALAȚIA DE GAZ

#### Important!

- Acest aparat trebuie instalat și întreținut numai de către un instalator calificat și înregistrat corespunzător. Instalatorul trebuie să respecte standardele locale în vigoare.
- Neinstalarea corectă a aparatului poate invalida garanția oferită de producător.
- Înainte de instalare, asigurați-vă că reglarea aparatului este compatibilă cu condițiile locale de distribuție (tipul și presiunea gazului). Condițiile de reglare a aparatului sunt indicate pe plăcuță sau pe etichetă.
- Dacă presiunea gazului (pentru care urmează să fie utilizat aparatul) este variabilă sau dacă nu se încadrează în valorile indicate pe plăcuța cu date tehnice, este obligatoriu să se instaleze un regulator de presiune a gazului corespunzător, care trebuie reglat pentru a garanta o presiune de funcționare corectă. Ia aparat (conform plăcuței cu date tehnice).  
Regulatorul trebuie instalat, reglat și testat de către un tehnician calificat.
- **AVERTISMENT:** Utilizarea aparatului cu o presiune greșită și/sau variabilă a gazului poate fi extrem de periculoasă și poate duce la răniri grave ale utilizatorului. Dacă nu se respectă această condiție, aparatul se poate deteriora.  
Producătorul nu își asumă niciun fel de răspundere pentru orice neplăcere cauzată de nerespectarea acestei condiții.

Acest aparat este furnizat pentru utilizare pe gaz natural sau GPL (verificați eticheta de reglare a gazului atașată pe aparat).

- Aparatele furnizate pentru utilizare pe gaz natural: sunt reglate numai pentru acest gaz și nu pot fi utilizate pe niciun alt gaz (GPL), fără modificări. Aparatele sunt fabricate pentru conversie la GPL.
- Aparatele furnizate pentru utilizare pe GPL: sunt reglate numai pentru acest gaz și nu pot fi utilizate pe niciun alt gaz (gaz natural), fără modificări. Aparatele sunt fabricate pentru conversie la gaz natural.

Dacă kitul de conversie gaz natural/GPL nu este furnizat împreună cu aparatul, acest kit poate fi achiziționat contactând serviciul post-vânzare.

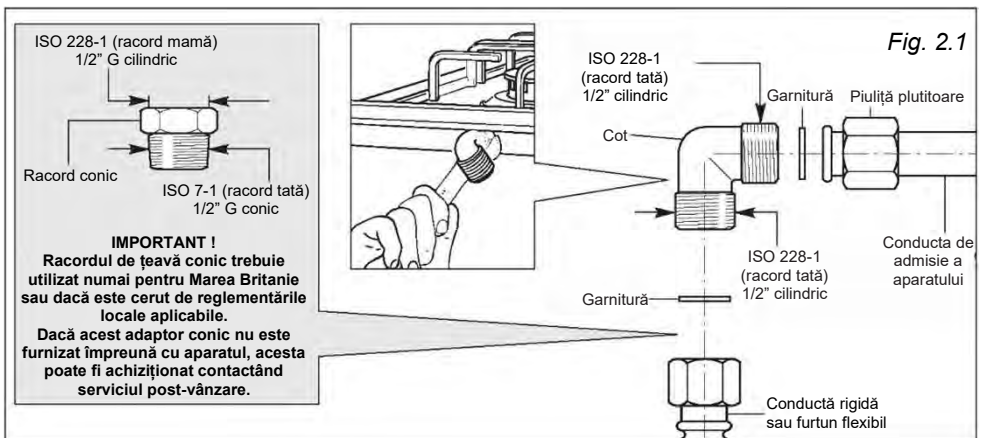
## CONECTAREA PLITEI LA ALIMENTAREA CU GAZ

Racordul de conectare la gaz (fig. 2.1) este alcătuit din:

- piulița plutitoare;
- cotul;
- garniturile;
- racordul de țevă conic - pentru a fi utilizat numai pentru Marea Britanie sau dacă este cerut de reglementările locale aplicabile. În acest caz, înainte de a conecta aparatul la alimentarea cu gaz, montați racordul conic de țevă pe cot, interpunând garnitura. Dacă racordul de țevă conic nu este furnizat împreună cu aparatul, acesta poate fi achiziționat contactând serviciul post-vânzare.

### Racordarea la gaz trebuie efectuată de o persoană autorizată și în conformitate cu standardele locale relevante.

- Dacă utilizați un furtun flexibil, asigurați-vă că acesta nu intră în contact cu părțile mobile.
- Partea din spate a șasiului este adâncită pentru a oferi un canal pentru conducta de admisie a aparatului.
- Racordul de conectare la gaz poate fi rotit în direcția dorită (dar niciodată în poziție verticală sau orizontală) după slăbirea cotului și a conexiunii piuliței plutitoare.
- Nu încercați niciodată să rotiți cotul fără a fi slăbit mai întâi piulița plutitoare.
- Garniturile furnizate garantează o bună etanșare a racordului de gaz. Vă recomandăm să înlocuiți garniturile la cel mai mic semn de uzură, deformare sau imperfecțiune.
- După conectarea la rețeaua de gaz, verificați dacă cuplajele sunt etanșate corect, folosind o soluție cuplajele săpun, dar niciodată cu flacără deschisă.



## **CERINȚE SUPLIMENTARE DE RACORDARE LA GAZ**

Când conectați plita la sursa de gaz cu țevi rigide sau un furtun flexibil, asigurați-vă că:

- Utilizați țevi rigide sau un furtun flexibil care respectă reglementările locale aplicabile. Furtunul flexibil trebuie să fie de construcție corectă pentru tipul de gaz utilizat și de dimensiunea corectă pentru a menține puterea termică a aparatului.
- Conexiunea cu țevi metalice rigide nu provoacă presiune asupra conductei de gaz.
- Furtunul flexibil nu este tensionat, răsucit, înnodat sau prea strâns îndoit, atunci când plita este în funcțiune sau în timp ce este conectată sau deconectată.
- Furtunul flexibil nu este mai lung de 2000 mm (sau consultați reglementările locale aplicabile) și nu intră în contact cu margini ascuțite, colțuri sau piese mobile, deoarece acestea pot provoca abraziune. Folosiți un singur furtun flexibil; nu conectați niciodată plita cu mai mult de un furtun flexibil.
- Furtunul flexibil poate fi inspectat cu ușurință pe toată lungimea pentru a verifica starea acestuia; dacă are o dată de expirare, trebuie înlocuit înainte de această dată.
- Dacă utilizați un furtun flexibil care nu este fabricat în întregime din metal, asigurați-vă că acesta nu intră în contact cu nicio parte a plitei, a cărei suprafață atinge o temperatură de 70 °C sau superioară (sau consultați reglementările locale aplicabile).
- Conducta rigidă sau furtunul flexibil trebuie înlocuit dacă prezintă semne de deteriorare.
- Furtunul flexibil nu trebuie supus unei călduri excesive prin expunerea directă la produsele de evacuare sau prin contactul cu suprafețele fierbinți.
- Articulația la care este conectat racordul furtunului flexibil este atașată permanent la o țevă pentru instalația de gaz, bine fixată și este poziționată astfel încât furtunul să atârne liber în jos.
- După instalare, ștecherul furtunului flexibil este accesibil, astfel încât să poată fi deconectat pentru service sau demontare.
- Informați clientul că țeava rigidă sau furtunul flexibil nu trebuie supus coroziunii de către agenți de curățare.

# ÎNȚREȚINERE GAZ

Pentru categoria de gaz, verificați eticheta cu datele tehnice, aplicată pe aparat

| TABEL PENTRU ALEGEREA INJECTOARELOR         |                      |                    |                           |                        |
|---|----------------------|--------------------|---------------------------|------------------------|
| Cat.: II 2H3+<br>(Țările IT-ES-PT-GB-SI-CZ) |                      |                    | G30/G31<br>28-30/37 mbari | G20<br>20 mbari        |
| Cat.: II 2E+3+<br>(Țări FR)                 |                      |                    | G30/G31<br>28-30/37 mbari | G20/G25<br>20/25 mbari |
| Cat.: II 2H3B/P<br>(Țări HR-RO-SI-CZ)       |                      |                    | G30/G31<br>30/30 mbari    | G20<br>20 mbari        |
| ARZĂTOARE                                   | Putere nominală [kW] | Putere redusă [kW] | Ø injector [1/100 mm]     | Ø injector [1/100 mm]  |
| Arz. semi-rapid (SR)                        | 1,75                 | 0,45               | 66                        | 101                    |
| Rapid (R)                                   | 3,00                 | 0,75               | 87                        | 129                    |
| Inel dublu (ID)                             | 3,80                 | 1,50               | 98                        | 141                    |

| VENTILAȚIA NECESARĂ PENTRU ARDEREA GAZULUI = (2 m <sup>3</sup> /h x kW) |   |
|---|---|
| ARZĂTOARE   | Aer necesar arderii [m <sup>3</sup> /h] |
| Arz. semi-rapid (SR)  | 3,50                                    |
| Rapid (R)   | 6,00                                    |
| Inel dublu (ID)   | 7,60                                    |

## LUBRIFIEREA ROBINETILOR DE GAZ

În caz de dificultăți în funcționarea robinetelor de gaz, apelați service-ul.

## IMPORTANT

Orice intervenție privind instalarea, întreținerea și transformarea aparatului trebuie efectuată cu piese originale din fabrică.

Producătorul nu își asumă niciun fel de răspundere pentru daunele cauzate de nerespectarea acestei obligații.



## ÎNLOCUIREA INJECTOARELOR

Selectați injectoarele pe care doriți să le înlocuiți, conform „Tabelului pentru alegerea injectoarelor”.

Diametrele duzei, exprimate în sutimi de milimetru, sunt marcate pe corpul fiecărui injector.

**Dacă injectoarele nu sunt furnizate, acestea pot fi obținute de la „Centrul de service”.**

## ÎNLOCUIREA INJECTOARELOR ARZĂTOARELOR PLITEI

Pentru înlocuirea injectoarelor urmați această procedură:

- Scoateți suporturile pentru tigăi și arzătoarele de pe plită.
- Folosind o cheie, înlocuiți injectoarele duzei „J” (fig. 2.2, 2.3) cu cele mai potrivite tipului de gaz care urmează să fie utilizat.

**Arzătoarele sunt concepute astfel încât să nu necesite reglarea aerului principal.**

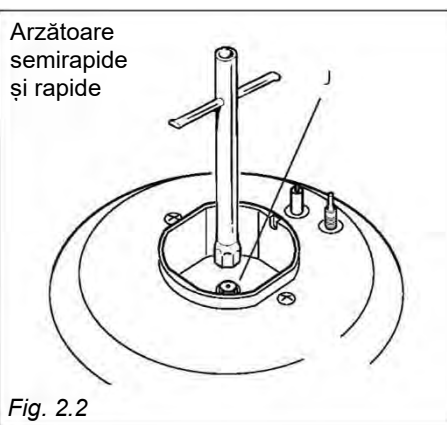


Fig. 2.2

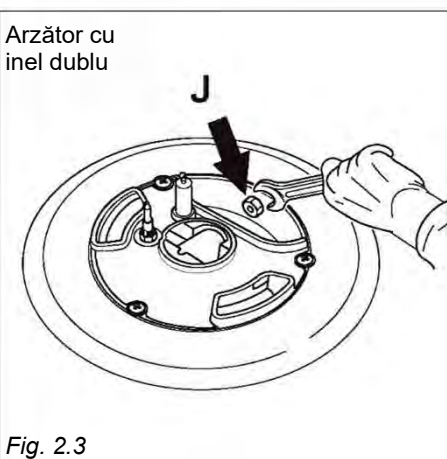


Fig. 2.3

## REGLAREA LA MINIM A ARZĂTOARELOR SUPERIOARE

În poziția minimă, flacăra trebuie să aibă o lungime de aproximativ 4 mm și trebuie să rămână aprinsă chiar și la o rotație rapidă de la poziția maximă la cea de minimă.

Reglarea flăcării se face în felul următor:

- Porniți arzătorul.
- Rotiți robinetul în poziția MINIM.
- Scoateți butonul.
- Cu o șurubelniță mică, rotiți șurubul „A” la reglajul corect (fig. 2.4).

**În mod normal, pentru G30/G31 (GPL), șurubul de reglare este strâns.**

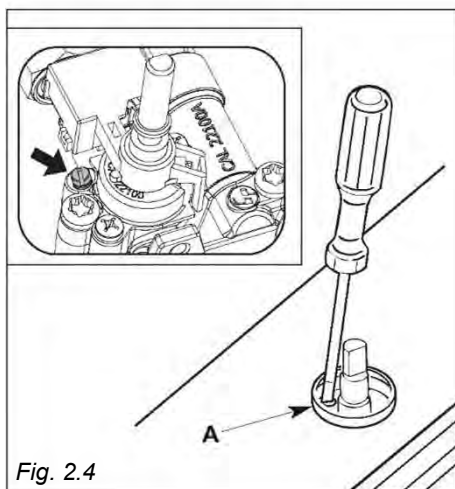


Fig. 2.4

**IMPORTANT:** Aparatul trebuie instalat de către un tehnician calificat, în conformitate cu reglementările locale în vigoare și cu instrucțiunile producătorului. Instalarea incorectă poate provoca vătămări și daune persoanelor, animalelor sau obiectelor, pentru care producătorul nu își asumă răspunderea.

Conexiunea la un sistem de cablare cu o împământare bună este esențială. Producătorul nu își asumă răspunderea pentru orice inconvenient cauzat de nerespectarea acestei reguli.

Înainte de a efectua orice lucrare la circuitul electric al aparatului, acesta trebuie deconectat de la rețea.

### INFORMAȚII GENERALE

- Conectarea la sursa electrică trebuie efectuată de către un tehnician calificat și respectând normele de siguranță corespunzătoare.
- Aparatul trebuie conectat la rețea verificând dacă tensiunea corespunde cu valoarea dată pe plăcuța cu date tehnice și dacă secțiunile cablurilor electrice pot rezista la sarcina specificată pe plăcuță.
- Dacă plita este furnizată fără ștecher, montați un ștecher standard, adecvat pentru puterea absorbită de aparat și în conformitate cu normele locale în vigoare.
- Culoarele firelor din cablul de alimentare al aparatului pot să nu corespundă cu culorile marcate pe bornele ștecherului dumneavoastră. Ștecherul trebuie întotdeauna conectat în următorul fel:
  - conectați firul verde/galben la borna marcată cu litera „E” sau simbolul de împământare „ $\perp$ ” ori de culoare verde/galbenă;
  - conectați firul albastru la terminalul marcat cu litera „N” sau de culoare neagră;
  - conectați firul maro la borna marcată cu litera „L” sau de culoare roșie.
- Ștecherul trebuie conectat la o priză conectată la unitatea de împământare în conformitate cu normele de securitate.
- Dacă aparatul urmează să fie conectat direct la rețea, acesta trebuie să fie amplasat cu un întrerupător omnipolar cu deschidere minimă de 3 mm între contactele dintre aparat și rețea.
- Cablul de alimentare nu trebuie să atingă părțile fierbinți și trebuie poziționat astfel încât să nu depășească 50 °C peste temperatura mediului ambiant.
- După instalarea aparatului, întrerupătorul de alimentare sau ștecherul de alimentare trebuie să fie întotdeauna într-o poziție accesibilă.
- În cazul în care cablul de alimentare este deteriorat, acesta trebuie înlocuit cu un cablu adecvat, disponibil în serviciul post-vânzare.
- Aparatul trebuie să aibă propria sa alimentare; orice alte aparate instalate în apropierea acestuia trebuie să fie alimentate separat.
- **N.B. Pentru conectarea la rețea, nu utilizați adaptoare, reductoare sau dispozitive de ramificare deoarece acestea pot provoca supraîncălzire și ardere.**
- **Dacă suprafața plitei este crăpată, deconectați aparatul de la rețeaua de alimentare și contactați serviciul post-vânzare.**

În cazul în care instalarea necesită modificări ale sistemului de cablare a rețelei de alimentare, se recomandă apelarea la un tehnician calificat pentru a efectua înlocuirea. Tehnicianul va trebui, de asemenea, să verifice dacă secțiunea transversală a cablurilor electrice de pe priza de alimentare se potrivește cu puterea nominală a aparatului.

## ÎNLOCUIREA CABLULUI DE ALIMENTARE

**AVERTISMENT:** În cazul în care cablul de alimentare este deteriorat, acesta trebuie înlocuit numai de un agent de service autorizat, pentru a evita un pericol.

Utilizați același tip de cablu de alimentare.

Acest cablu trebuie conectat la blocul de joncțiune, urmând schema din fig. 3.1.

**NOTĂ:** Conductorul de împământare trebuie să fie cu aproximativ 3 cm mai lung decât celelalte.

Operațiunile trebuie executate de un tehnician calificat.

## SECȚIUNEA CABLULUI DE ALIMENTARE

TIP „H05V2V2-F”

(rezistent la temperaturi de 90 °C)

220-240 V    50-60 Hz                      3 x 0,75 mm<sup>2</sup> (\*) (\*\*)

(\*) Conexiune posibilă cu ștecher și priză

(\*\*) Conexiune cu cutie de conexiune de perete.

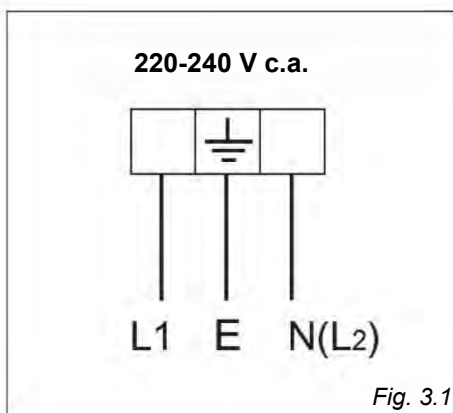


Fig. 3.1



# Recomandări pentru utilizatori

# 1

## CARACTERISTICI

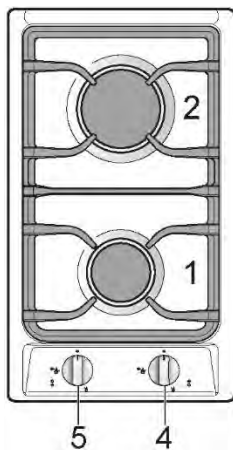


Fig. 1.1a

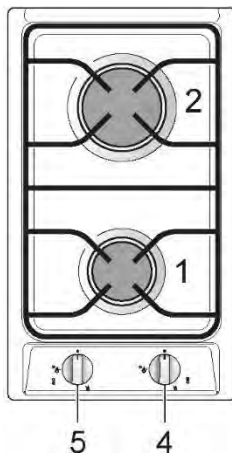


Fig. 1.1b

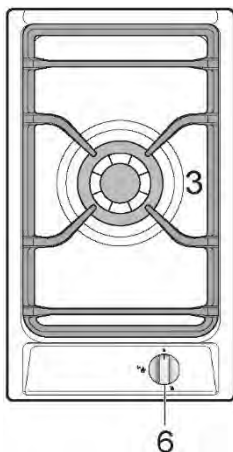


Fig. 1.2a

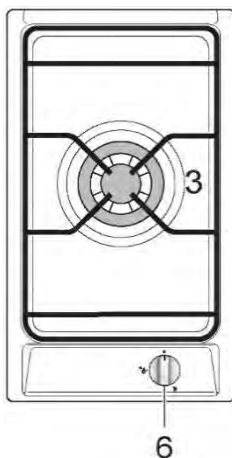


Fig. 1.2b

**Atenție!**  
Nu acoperiți plita cu folii de aluminiu.

**NOTĂ:**  
Butoanele și simbolurile pot varia.

## **PUNCTE DE GĂTIRE**

1. Arzător semirapid (SR) 1,75 kW
2. Arzător rapid (R) 3,00 kW
3. Arzător cu inel dublu (ID) 3,80 kW

## **DESCRIEREA PANOULUI DE COMENZI**

4. Buton de control pentru arzătorul rapid (2)
5. Buton de control pentru arzătorul semirapid (1)
6. Buton de control pentru arzătorul cu inel dublu (3)

## **NOTĂ:**

- Aprinderea electrică este încorporată în butoane.
- Aparatul are montat un sistem de supapă de siguranță, care va opri fluxul de gaz atunci când flacăra se stinge accidental.

## **ATENȚIE:**

Dacă arzătorul este stins accidental, opriți gazul de la buton și așteptați cel puțin 1 minut înainte de a încerca să-l reaprindeți.

## **ATENȚIE:**

Plitele pe gaz produc căldură și umiditate în mediul în care sunt instalate. Asigurați-vă că zona de gătit este bine ventilată prin deschiderea grilelor de ventilație naturală sau prin instalarea unei hote conectate la o conductă de evacuare.

## **ATENȚIE:**

Dacă plita este utilizată o perioadă îndelungată, poate fi necesar să se asigure o ventilație suplimentară prin deschiderea unei ferestre sau prin creșterea puterii de aspirație a hotei (dacă este prevăzută cu această opțiune).

## 2 ARZĂTOARELE PE GAZ

### ARZĂTOARELE PE GAZ

Debitul de gaz către arzătoare se reglează prin rotirea butoanelor (ilustrate în fig. 2.1) care controlează supapele de siguranță.

Prin rotirea butonului, astfel încât linia indicatoră să indice simbolurile inscripționate pe panou, se realizează următoarele funcții:

- simbol ● supapă închisă
- simbol ✨💧 deschidere sau debit maxim
- simbol 💧 deschidere sau debit minim

- Poziția de deschidere maximă permite fierberea rapidă a lichidelor, în timp ce poziția de deschidere minimă permite încălzirea mai lentă a alimentelor sau menținerea condițiilor de fierbere a lichidelor.
- Pentru a reduce debitul de gaz la minimum, rotiți butonul și mai mult în sens invers acelor de ceasornic pentru a îndrepta indicatorul către simbolul flăcării mici.
- Alte ajustări intermediare de funcționare pot fi realizate prin poziționarea indicatorului între pozițiile de deschidere maximă și minimă, dar niciodată între pozițiile de deschidere maximă și închidere.

#### Atenție!

Plita de gătit devine foarte fierbinte în timpul funcționării.

Nu lăsați copiii în zona plitei.

NOTĂ: Butonul și simbolurile pot varia.

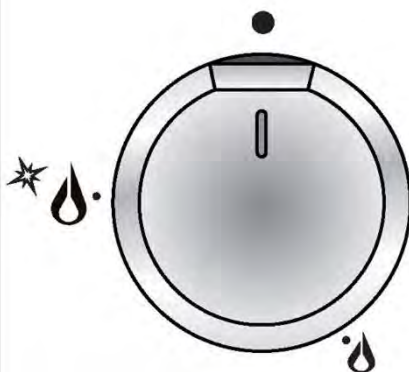


Fig. 2.1

#### Atenție!


Nu acoperiți plita cu folii de aluminiu.

N.B. Când plita nu este folosită, setați butoanele de gaz în pozițiile închise și, de asemenea, închideți robinetul de pe butelia de gaz sau de pe conducta principală de alimentare cu gaz.



## APRINDEREA ARZĂTOARELOR PE GAZ PREVĂZUTE CU DISPOZITIV CU SUPAPĂ DE SIGURANȚĂ

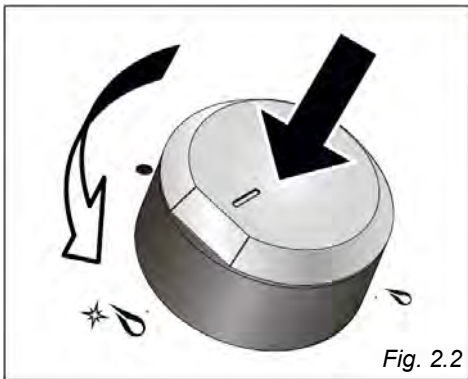
Pentru a aprinde arzătorul, trebuie urmate următoarele instrucțiuni:

1. Apăsăți butonul corespunzător și rotiți în sens invers acelor de ceasornic (fig. 2.2) până la poziția de flacără maximă marcată prin simbolul  (fig. 2.1); țineți butonul apăsat până când flacăra a fost aprinsă. În cazul unei pene de curent, aprindeți arzătorul cu un chibrit sau o lumânare aprinsă.
2. Așteptați câteva secunde după ce arzătorul pe gaz a fost aprins înainte de a lua mâna de pe buton (întârziere la activarea supapei).
3. Reglați supapa de gaz în poziția dorită.

Dacă flacăra arzătorului se stinge din orice motiv, supapa de siguranță va opri automat debitul de gaz.

Pentru a reaprindi arzătorul, readuceți butonul în poziția închisă „●”, **așteptați cel puțin 1 minut** și apoi repetați procedura de aprindere.

**Notă:** Dacă alimentarea locală cu gaz îngreunează aprinderea arzătorului cu butonul setat la maximum, setați butonul la minimum și repetați operațiunea.



## ALEGEREA ARZĂTORULUI

Pe panoul de control, lângă fiecare buton, există o diagramă care indică ce arzător este controlat de acel buton.

Arzătorul potrivit trebuie ales în funcție de diametrul și de capacitatea folosită.

Arzătoarele și tigăile trebuie folosite în conformitate cu următoarele instrucțiuni:

### DIAMETRELE TIGĂILOR CARE POT FI UTILIZATE PE ARZĂTOARE

| ARZĂTOARE      | MINIMUM | MAXIMUM    |
|----------------|---------|------------|
| Semi-rapid (*) | 16 cm   | 22 cm      |
| Rapid          | 22 cm   | 26 cm      |
| Inel triplu    | 24 cm   | 28 cm      |
| Wok            | -       | Max. 36 cm |

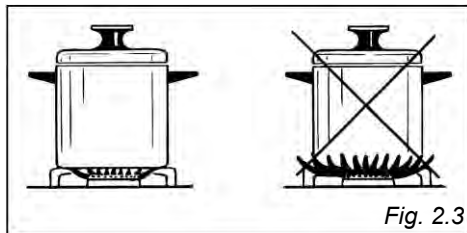
**nu folosiți tigăi cu baze concave sau convexe**

(\*) cu grătarul pentru vase mici: diametrul minim 6 cm (numai pentru modelele furnizate cu grătar pentru tigăi mici)

Este important ca diametrul oalei să fie potrivit potențialului arzătorului pentru a nu compromite randamentul mare al arzătoarelor și provoca astfel o risipă de energie. O oală mică pe un arzător mare nu va ajunge la punctul de fierbere într-un timp scurt, deoarece capacitatea de absorbție a căldurii a unei mase lichide depinde de volumul și suprafața oalei.

**ATENȚIE:** Asigurați-vă că tigăile sunt în centrul arzătorului pentru o stabilitate maximă și o eficiență mai mare.

Asigurați-vă că tigăile nu sunt în contact cu butoanele; în caz contrar, flacăra ar putea supraîncălzi butoanele și le poate deteriora definitiv.



## GRĂȚAR AUXILIAR PENTRU TIGĂI MICI (Opțional)

Acest grătar trebuie așezat deasupra arzătorului auxiliar (mai mic), atunci când se folosesc tigăi cu diametru mic, pentru a preveni răsturnarea acestora.

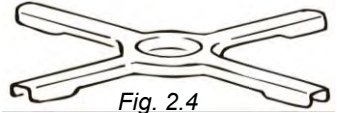


Fig. 2.4

## UTILIZAREA CORECTĂ A ARZĂTORULUI INEL DUBLU – OPȚIONAL

(numai modelele cu arzător cu inel dublu)

- Pentru a utiliza wokul, trebuie să așezați suportul corespunzător (dacă adaptorul pentru tigăie wok nu este furnizat împreună cu aparatul, acesta este disponibil ca accesoriu, la un cost suplimentar) pentru a evita orice funcționare defectuoasă a arzătorului cu inel dublu (fig. 2.5a - 2.5b - 2.6a - 2.6b).
- Tigăile cu fund plat trebuie așezate direct pe suportul pentru tigăie.

### IMPORTANT:

- Grilajul special pentru tigăi wok (fig. 2.5b - 2.6b) **TREBUIE AMPLASAT NUMAI** peste suportul pentru arzătorul cu inel dublu.

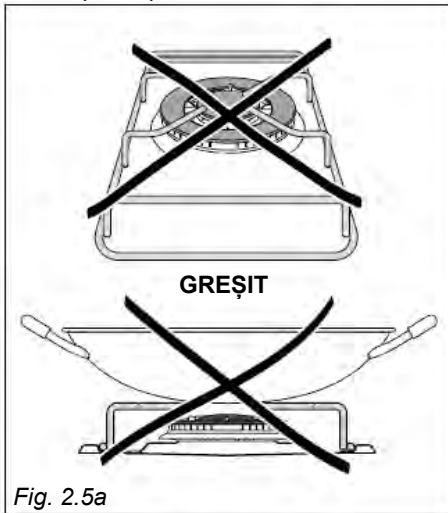


Fig. 2.5a

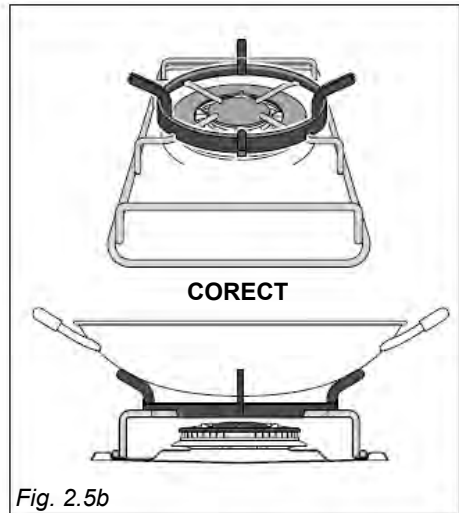


Fig. 2.5b

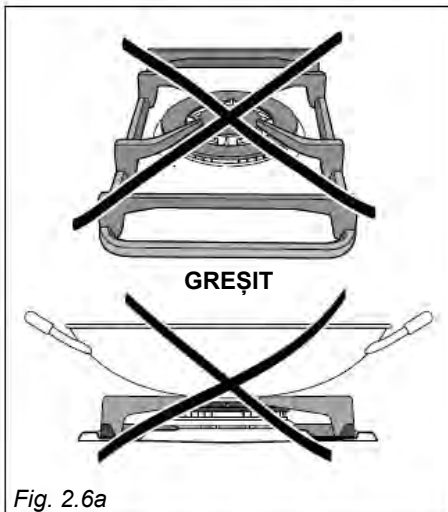


Fig. 2.6a

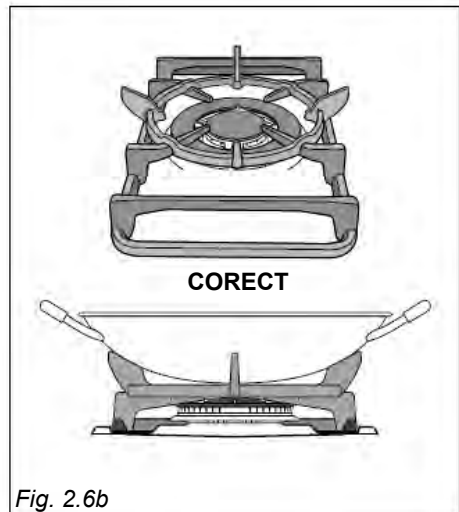


Fig. 2.6b

## RECOMANDARE GENERALĂ

- **Înainte de a începe curățarea, trebuie să vă asigurați că plita este oprită.**
- Este indicat să curățați aparatul atunci când este rece și, mai ales, atunci când curățați părțile emailate.
- Toate suprafețele emailate trebuie spălate cu un burete, cu apă cu săpun sau alt produs neabraziv și trebuie uscate, de preferință, cu o cârpă moale.
- Evitați să lăsați pe suprafețe substanțe alcaline sau acide (zeamă de lămâie, oțet etc.).
- **Nu folosiți produse de curățare pe bază de clor sau acid.**
- **Important: Se recomandă folosirea îmbrăcămintei/mănușilor de protecție adecvate la manipularea sau curățarea acestui aparat.**
- **Sub nicio formă nu trebuie îndepărtate capacele externe pentru operațiuni de service sau întreținere de către altcineva în afara de personal calificat corespunzător.**
- Curățați suprafețele cu o cârpă umedă și utilizați produse de curățare blânde, neutre. Uscați cu o cârpă curată și uscată.
- **IMPORTANT:** Nu utilizați produse abrazive (de ex. anumite tipuri de burete) și/sau produse agresive (de ex. sodă caustică, produse care conțin substanțe corozive), care ar putea provoca daune iremediabile suprafeței.

## AVERTISMENT

**Când este instalat corect, produsul dumneavoastră îndeplinește toate cerințele de siguranță stabilite pentru acest tip de categorie de produse. Cu toate acestea, trebuie acordată o atenție deosebită zonei din jurul părții inferioare a aparatului, deoarece aceasta nu este proiectată sau prevăzută pentru a fi atinsă și poate prezenta margini ascuțite sau aspre, care pot cauza vătămări.**

## COMPONENTELE EMAILATE

Toate piesele emailate trebuie curățate doar cu un burete și apă cu săpun sau alte produse neabrazive.

Uscați de preferință cu o cârpă moale sau din microfibră.

Dacă substanțele acide precum zeama de lămâie, roșiile în conservă, oțet etc. sunt lăsate pe smalt pentru o perioadă lungă de timp, acestea îl vor coroda, făcându-l opac.

## SUPRAFETE DIN INOX

Piesele din oțel inoxidabil trebuie clătite cu apă și uscate cu o cârpă moale și curată.

Pentru murdăria persistentă, utilizați produse specifice neabrazive disponibile în comerț sau puțin oțet fierbinte.

**Important: Producătorul nu își asumă niciun fel de răspundere pentru eventualele daune cauzate de utilizare unor produse necorespunzătoare pentru curățarea aparatului.**

**Atenție! Aparatul devine foarte fierbinte, mai ales, în jurul zonelor de gătit. Este foarte important să supravegheați copiii, pentru a nu rămâne singuri în bucătărie atunci când se gătește.**

**Nu folosiți un aparat de curățat cu abur, deoarece umiditatea poate pătrunde în aparat și îl poate face nesigur.**

## PIESELE VOPSITE ȘI SUPRAFETELE SERIGRAFIATE

Curățați folosind un produs adecvat. Uscați întotdeauna bine.

**IMPORTANT:** aceste piese trebuie curățate cu mare atenție pentru a evita zgârierea și abraziunea. Vă recomandăm să utilizați o cârpă moale și săpun neutru.

**ATENȚIE:** Nu folosiți substanțe abrazive sau alți detergenți în afară de cei neutri, deoarece aceștia vor deteriora iremediabil suprafața.

**Notă:** Utilizarea continuă poate provoca o modificare a smalțului în jurul arzătoarelor, în zonele expuse la căldură.

## ROBINETE DE GAZ

Nu lăsați produsele de curățare să intre în contact cu supapele.

Lubrifierea periodică a robinetelor de gaz trebuie efectuată numai de personal specializat.

În cazul unor defecțiuni de funcționare la robinetele de gaz, contactați telefonic departamentul de service.

## ARZĂTOARE ȘI SUPORTURI PENTRU TIGĂI

Aceste părți trebuie curățate folosind un burete și apă cu săpun sau alte produse neabrazive adecvate. Uscați cu o cârpă moale.

**Avertizare! Nu pot fi spălate în mașina de spălat vase.**

După curățare, arzătoarele și distribuitorii lor de flacără trebuie bine uscate și înlocuite corect.

Este foarte important să verificați dacă distribuitorul de flacără al arzătorului și capacul au fost poziționate corect. Nerespectarea acestui lucru poate cauza probleme grave.

Verificați dacă electrodul „S” (fig. 3.1, 3.3) de lângă fiecare arzător este întotdeauna curat, pentru a asigura scânteii fără probleme.

Verificați dacă sonda „T” (fig. 3.1, 3.3) de lângă fiecare arzător este întotdeauna curată, pentru a asigura funcționarea corectă a supapelor de siguranță.

**Atât sonda, cât și bujia de aprindere trebuie curățate cu mare atenție.**

**Notă:** Pentru a evita deteriorarea aprinderii electrice, nu utilizați produsul când arzătoarele nu sunt la locul lor.

**Notă:** Utilizarea continuă poate provoca o modificare a smalțului în jurul arzătoarelor și grilajelor, în zonele expuse la căldură. Acesta este un fenomen natural și nu împiedică piesele să funcționeze corect.

## ÎNLOCUIREA CORECTĂ A ARZĂTORULUI SEMI-RAPID ȘI RAPID

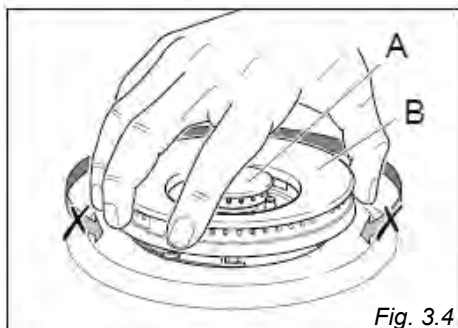
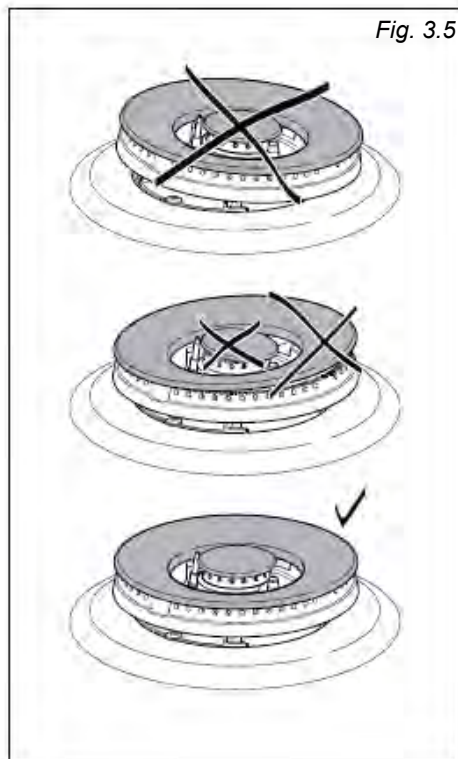
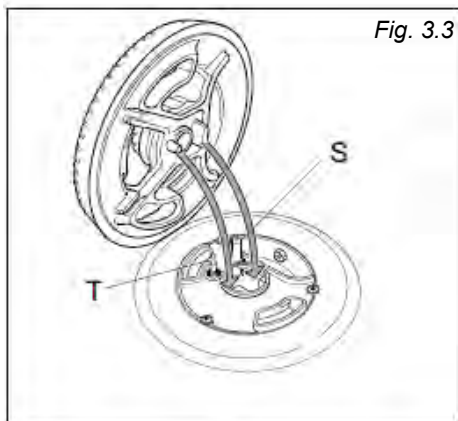
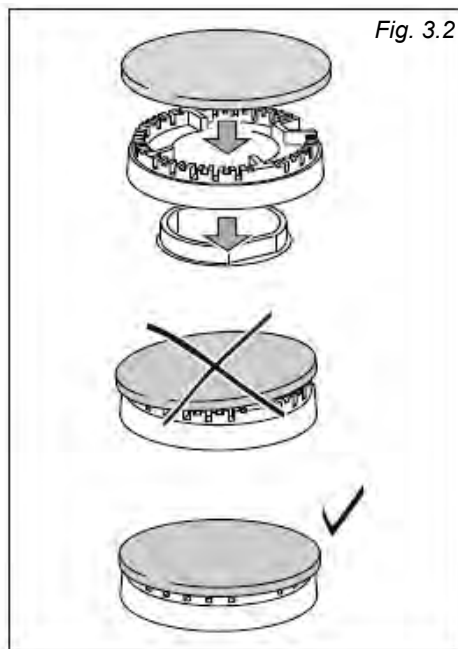
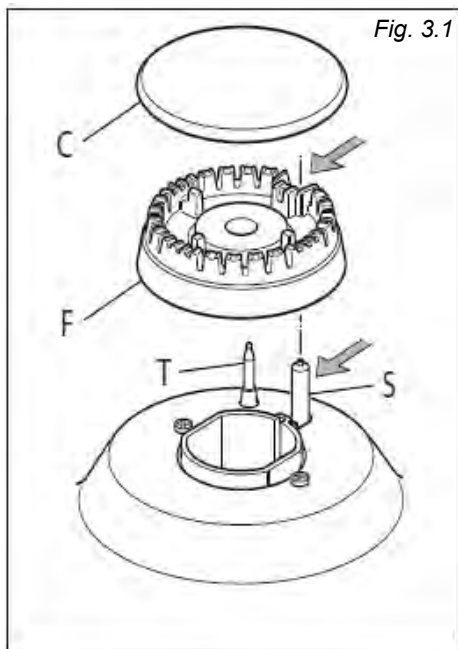
Este foarte important să verificați dacă distribuitorul de flacără al arzătorului „F” și capacul „C” au fost poziționate corect (consultați fig. 3.1, 3.2). Nerespectarea acestei instrucțiuni poate cauza probleme grave.

## ÎNLOCUIRE CORECTĂ A INELULUI DUBLU (Numai anumite modele)

Arzătorul trebuie să fie poziționat corect; nerespectarea acestui lucru poate cauza probleme grave.

Montați distribuitorul de flacără pe carcasă, așa cum este indicat de săgeți (consultați fig. 3.3, 3.4, 3.5).

Arzătorul poziționat corect nu trebuie să se rotească (fig. 3.5).



## **Vážený zákazník,**

*Ďakujeme, že ste si zakúpili náš výrobok a dali mu prednosť.*

*Nižšie uvedené bezpečnostné opatrenia a odporúčania sú pre vašu vlastnú bezpečnosť a bezpečnosť ostatných. Okrem toho vám poskytnú prostriedky na plné využitie funkcií, ktoré ponúka váš spotrebič.*

*Túto brožúru si starostlivo uchovajte. V budúcnosti môže byť užitočná pre vás alebo pre ostatných, pokiaľ by ste mali nejaké pochybnosti týkajúce sa prevádzky spotrebiča.*

***Tento spotrebič sa smie používať len na účely, na ktoré bol výslovne navrhnutý, t. j. na prípravu jedla. Akákoľvek iná forma používania sa považuje za nevhodnú, a preto nebezpečnú.***

***Výrobca odmieta akúkoľvek zodpovednosť v prípade poškodenia spôsobeného nesprávnym, nevhodným alebo nelogickým používaním spotrebiča.***

## **ES VYHLÁSENIE O ZHODE**

- Tento spotrebič bol navrhnutý iba na prípravu jedla. Akékoľvek iné použitie (napríklad vykurovanie miestnosti) je nevhodné a nebezpečné.
- Tento spotrebič bol navrhnutý, vyrobený a uvedený na trh v súlade s:
  - Bezpečnostné požiadavky nariadenia (EÚ) 2016/426 o plyne;
  - Bezpečnostné požiadavky smernice 2014/35/EÚ o spotrebičoch používaných v rámci určitých limitov napätia;
  - Bezpečnostné požiadavky smernice o elektromagnetickej kompatibilite 2014/30/EÚ;
  - Požiadavky smernice EÚ 93/68/EHS;
  - Požiadavky smernice EÚ 2011/65/EÚ.



## DÔLEŽITÉ BEZPEČNOSTNÉ OPATRENIA A ODPORÚČANIA

**DÔLEŽITÉ:** Tento spotrebič je navrhnutý a vyrobený výhradne na prípravu jedál v domácnosti (doma), nie je vhodný na žiadne iné použitie mimo domácností, preto by sa nemal používať v komerčnom prostredí.

Pokiaľ by sa spotrebič používal v inom než domácom prostredí, t. j. v polokomerčnom, komerčnom alebo spoločenskom prostredí, záruka stratí platnosť.

**Pred inštaláciou a používaním spotrebiča si pozorne prečítajte pokyny.**

- Tento spotrebič bol navrhnutý a vyrobený v súlade s platnými normami pre domáce kuchynské spotrebiče a spĺňa všetky bezpečnostné požiadavky uvedené v tejto príručke, vrátane tých, ktoré sa týkajú povrchových teplôt.  
Niektorí ľudia s citlivou pokožkou môžu mať pri kontakte s niektorými komponentmi výraznejšie vnímanie teploty, aj keď tieto diely spĺňajú limity povolené normami.  
Úplná bezpečnosť spotrebiča závisí aj od správneho používania, preto odporúčame používaniu spotrebiča vždy venovať mimoriadnu pozornosť, najmä v prítomnosti detí.
- Po vybalení spotrebiča skontrolujte, či nie je poškodený.  
Ak by ste mali nejaké pochybnosti, spotrebič nepoužívajte, ale poraďte sa so svojim dodávateľom alebo odborne vyškoleným technikom.
- Časti obalu (napr. plastové vrecká, polystyrénovú penu, klince, popruhy obalu atď.) nenechávajte v dosahu detí, pretože môžu spôsobiť vážne zranenia.
- Niektoré spotrebiče sa dodávajú zabalené v ochrannej fólii a použitím hliníkových častí. **Túto fóliu treba pred použitím spotrebiča odstrániť.**
- **DÔLEŽITÉ:** Pri manipulácii so spotrebičom alebo pri jeho čistení sa odporúča používať vhodný ochranný odev/rukavice.

- Nepokúšajte sa upravovať technické charakteristiky spotrebiča, pretože by to mohlo byť pri používaní nebezpečné. Výrobca odmieta akúkoľvek zodpovednosť za akékoľvek nepríjemnosti vyplývajúce z nedodržania tejto podmienky.
- **UPOZORNENIE:** tento spotrebič sa smie inštalovať len v trvalo vetranej miestnosti v súlade s platnými predpismi.
- Spotrebič nie je určený na ovládanie externým časovačom ani samostatným diaľkovým ovládaním.
- Na spotrebiči nevykonávajte čistenie ani údržbu bez toho, že by ste ho predtým odpojili od elektrického napájania.
- Nepoužívajte parný čistič, pretože vlhkosť sa môže dostať do spotrebiča, čo ohrozí jeho bezpečnosť.
- Varnú dosku nezakrývajte alobalom.
- Spotrebiča sa nedotýkajte mokrými alebo vlhkými rukami (alebo nohami).
- Ak máte bosé nohy, spotrebič nepoužívajte.
- Ak sa rozhodnete tento spotrebič už nepoužívať (alebo sa rozhodnete nahradiť ho iným modelom), pred likvidáciou sa odporúča vyradiť ho z prevádzky vhodným spôsobom v súlade s platnými predpismi o ochrane zdravia a životného prostredia, s dôrazom na zneškodnenie všetkých potenciálne nebezpečných dielov, predovšetkým vzhľadom na deti, ktoré by sa mohli hrať s vyradenými spotrebičmi.
- Rôzne komponenty spotrebiča sa dajú recyklovať. Zlikvidujte ich v súlade s predpismi platnými vo vašej krajine. Ak sa má spotrebič zlikvidovať, odstráňte elektrický napájací kábel.
- Po použití sa uistite, že sú gombíky/ovládače vo vypnutej polohe.
- Deti do 8 rokov udržujte mimo dosahu alebo ich majte pod neustálym dohľadom.
- Deti staršie ako 8 rokov a osoby s obmedzenými fyzickými, zmyslovými alebo duševnými schopnosťami alebo nedostatkom skúseností či vedomostí môžu tento spotrebič používať pod dohľadom, resp. po poučení a oboznámení sa s bezpečným spôsobom používania a porozumení možným nebezpečenstvám. Deti sa so spotrebičom nesmú hrať. Čistenie a údržbu nesmú vykonávať deti bez dozoru.



- Výrobca odmieta akúkoľvek zodpovednosť za zranenie osôb alebo škodu na majetku spôsobenú nesprávnym alebo nevhodným používaním spotrebiča.
- VAROVANIE: Počas používania sa spotrebič a jeho prístupné časti zohrievajú; po určitom čase používania zostanú horúce.
  - Pri používaní dávajte pozor, aby sa predišlo kontaktu s ohrievacími prvkami varnej dosky.
  - Aby sa predišlo popáleniam, malé deti by ste mali udržiavať ďalej od spotrebiča.
- Uistite sa, že elektrické káble pripájajúce iné spotrebiče v blízkosti varnej dosky, nemôžu prísť do kontaktu s varnou doskou.
- VAROVANIE: Príprava jedla s tukom alebo olejom na varnej doske bez dohľadu môže byť nebezpečné a môže spôsobiť požiar. Požiar sa NIKDY nepokúšajte hasiť vodou. Spotrebič najprv vypnite a plameň zakryte napr. pokrievkou alebo hasiacou prikrývkou.
- VAROVANIE: Nebezpečenstvo požiaru: na povrch varnej dosky neodkladajte žiadne predmety.
- VAROVANIE: Ak je výrobok správne nainštalovaný, spíňa všetky bezpečnostné požiadavky stanovené pre túto kategóriu výrobkov. Osobitnú pozornosť však treba venovať spodnej časti spotrebiča, pretože táto oblasť nie je určená na dotyk a môže obsahovať ostré alebo drsné hrany, ktoré môžu spôsobiť zranenie.
- UPOZORNENIE: Na prípravu jedla musíte vždy dohliadať. Na krátkodobý postup varenia je potrebné dohliadať nepretržite.
- Ak je elektrický napájací kábel poškodený, smie ho vymeniť len autorizovaný servisný pracovník, aby sa zabránilo nebezpečenstvu.
- Ak spotrebič nie je vybavený napájacím káblom a zástrčkou alebo inými prostriedkami na odpojenie od elektrickej siete s oddelením kontaktu vo všetkých póloch, ktoré zabezpečujú úplné odpojenie, za podmienok prepätia kategórie III, pričom prvky na odpojenie musia byť začlenené do pevného káblového vedenia v súlade s pravidlami zapojenia.
- VAROVANIE: Počas používania sú spotrebič a jeho dostupné diely horúce.

Pri používaní dávajte pozor, aby sa predišlo dotyku ohrievacích prvkov.

Deti do 8 rokov udržiajte mimo dosahu alebo ich majte pod neustálym dohľadom.

- **VAROVANIE:** Používajte iba ochranné kryty varných dosiek navrhnuté výrobcom kuchynského spotrebiča alebo uvedené výrobcom spotrebiča v návode na použitie ako vhodné, prípadne použite ochranné kryty varnej dosky zabudované do spotrebiča. Použitie nevhodných ochranných krytov môže spôsobiť nehodu.

## **ENERGETICKÉ OZNAČOVANIE/EKODIZAJN**

- Nariadenie Komisie (EÚ) č. 66/2014 (ktorým sa vykonáva smernica Európskeho parlamentu a Rady 2009/125/ES).

Odkaz na metódy merania a výpočtu použité na zistenie zhody s uvedenými požiadavkami:

- Norma EN30-2-1 (varné dosky: plynové horáky).

## **POUŽÍVANIE SPOTREBIČA, TIPY NA ÚSPORU ENERGIE**

### **VARNÁ DOSKA**

#### **PLYNOVÉ HORÁKY**

- Je dôležité, aby priemer varnej nádoby zodpovedal kapacite horáka, aby sa neohrozil vysoký výkon horákov a tým sa predišlo plytvaniu energiou. Malá varná nádoba na veľkom horáku neskráti dobu ohrevu na bod varu, pretože kapacita absorpcie tepla kvapalnej hmoty závisí od objemu a povrchu varnej nádoby.
- Horák nenechávajte zapnutý bez toho, aby na ňom bola nejaká nádoba (bez hrnca).

## **DÔLEŽITÉ INFORMÁCIE PRE SPRÁVNU LIKVIDÁCIU VÝROBKU V SÚLADE SO SMERNICOU ES 2012/19/EÚ.**

Po ukončení životnosti sa výrobok nesmie likvidovať ako komunálny odpad. Musí sa odviezť do špeciálneho strediska na diferencovaný zber odpadu alebo k predajcovi, ktorý poskytuje túto službu.

Separovaným zberom domáceho spotrebiča sa zabráni možným negatívnym dôsledkom pre životné prostredie a zdravie vyplývajúcim z nevhodnej likvidácie, okrem toho sa umožní spätné získavanie základných materiálov s cieľom dosiahnuť významné úspory energie a zdrojov. Na pripomenutie potreby separovaného zberu domácich spotrebičov je výrobok označený preškrtnutou nádobou na smeti.



# Rady pre technika vykonávajúceho inštaláciu

## DÔLEŽITÉ:

- Spotrebič je navrhnutý a schválený len na použitie v domácnosti, nesmie sa inštalovať v komerčnom, polokomerčnom alebo spoločenskom prostredí.  
**Na váš spotrebič nebude platiť záruka, pokiaľ bude nainštalovaný v ktoromkoľvek z vyššie uvedených prostredí, a mohlo by to ovplyvniť akékoľvek vaše poistenie zodpovednosti voči tretej strane alebo verejné poistenie.**
- Tento spotrebič smie nainštalovať, nastaviť a prispôsobiť na prevádzku len oprávnená osoba v súlade s platnými miestnymi predpismi a podľa pokynov dodaných výrobcom. Nedodržanie tejto podmienky spôsobí neplatnosť záruky.
- Spotrebič musí byť nainštalovaný v súlade s predpismi platnými vo vašej krajine a v súlade s pokynmi výrobcu.
- Technici vykonávajúci inštaláciu musia dodržiavať platné zákony týkajúce sa vetrania a odvádzania spalín.
- Nesprávna inštalácia, za ktorú výrobca nepreberá žiadnu zodpovednosť, môže spôsobiť zranenie alebo poškodenie majetku.
- Na tomto spotrebiči smie vykonávať servis len autorizovaný personál.
- Pred vykonaním akejkoľvek údržby alebo opravy spotrebič vždy odpojte od elektrického napájania.
- **Dôležité:** Pri manipulácii so spotrebičom alebo pri jeho čistení sa odporúča používať vhodný ochranný odev/rukavice.
- Tieto dosky sú určené na zabudovanie do kuchynského nábytku s hĺbkou 600 mm a hrúbkou pracovnej dosky 30 až 40 mm.
- Spotrebič sa musí zabudovať do tepelne odolných jednotiek.
- Steny jednotiek nesmú byť vyššie ako pracovná plocha a musia odolávať teplotám 105 °C nad izbovou teplotou.
- Zdôrazňujeme, že lepidlo, ktoré spája plastový laminát s nábytkom, musí vydržať teploty najmenej 150 °C, aby sa zabránilo oddeleniu laminátu.
- Spotrebič neinštalujte do blízkosti horľavých materiálov (napr. záclony).

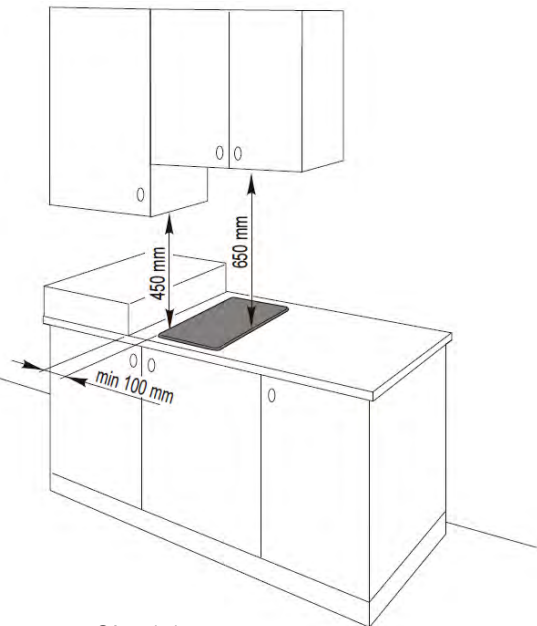
## VAROVANIE!

Ak je výrobok správne nainštalovaný, spĺňa všetky bezpečnostné požiadavky stanovené pre túto kategóriu výrobkov. Osobitnú pozornosť však treba venovať spodnej časti spotrebiča, pretože táto oblasť nie je určená na dotyk a môže obsahovať ostré alebo drsné hrany, ktoré môžu spôsobiť zranenie.

# 1 INŠTALÁCIA

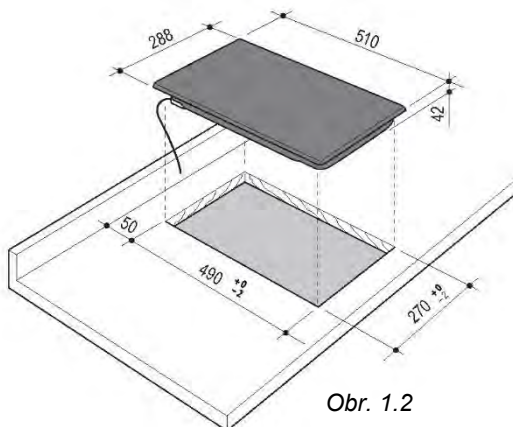
## TECHNICKÉ INFORMÁCIE PRE INŠTALATÉRA

- Na inštaláciu hornej časti sporáka do kuchynského nábytku treba urobiť otvor s rozmermi ako na obr. 1.1, pričom treba mať na pamäti:
- Medzi dnom spotrebiča a akoukoľvek skrinkou kuchynskej linky, zásuvkou alebo spotrebičom musí byť 30 mm medzera na vetranie.
- Ak je základňa varnej dosky po inštalácii prístupná cez skrinku alebo priestor zásuvky, tepelná ochranná bariéra nie je potrebná.
- Ak je varná doska nainštalovaná nad rúrou na pečenie, tieto dva spotrebiče musia byť pripojené k prípojke plynu a/alebo k elektrickému napájaniu nezávislými prípojkami.
- Vrchná časť variča musí byť umiestnená najmenej 100 mm od bočnej steny (od bočného okraja výrezu – obr. 1.1).
- Varná doska musí byť nainštalovaná najmenej 50 mm od steny (od zadnej hrany výrezu – obr. 1.2).
- Medzi varnou doskou a akoukoľvek nástennou skrinkou alebo odsávačom pár umiestneným bezprostredne nad ňou musí byť vzdialenosť najmenej 650 mm (pozri obr. 1.1).



Obr. 1.1

**Spotrebič neinštalujte do blízkosti horľavých materiálov (napr. záclony).**



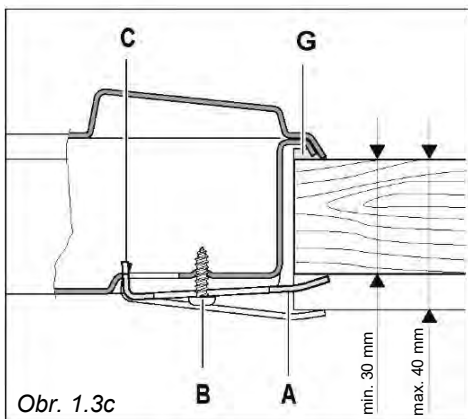
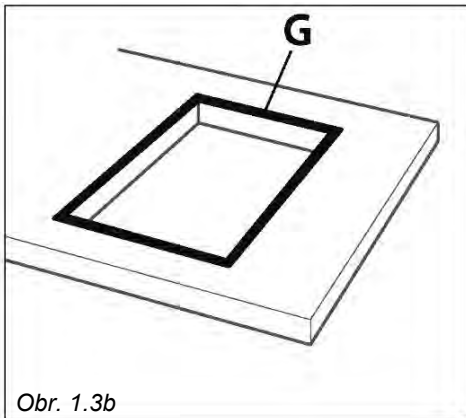
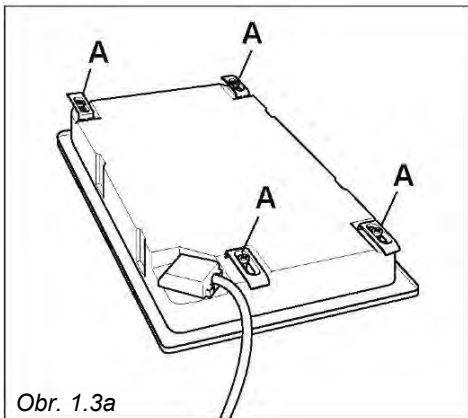
Obr. 1.2

## UPEVNIENIE VARNEJ DOSKY (obr. 1.3a, 1.3b, 1.3c)

Každá varná doska je vybavená inštaláčnou súpravou vrátane konzol a skrutiek na pripevnenie varnej dosky k pracovným doskám s hrúbkou od 30 do 40 mm.

Súprava obsahuje 4 zarážky „A“ a 4 samorezné závitové skrutky „B“.

- Odrežte jednotku.
- Natiahnite tesnenie „G“ cez okraj pripraveného otvoru, pričom dávajte pozor, aby ste prekryli okraje spojov (obr. 1.3b).
- Obráťte varnú dosku a vsuňte zarážky „A“ (obr. 1.3a) do držiakov, skrutky „B“ utiahnite iba o niekoľko otáčok. Uistite sa, že sú západky namontované správne, ako je vidno na obrázku 1.3c. Otočte západky tak, aby sa varná doska dala vložiť do otvoru.
- Vložte varnú dosku do otvoru vyrezaného do jednotky a správne ju umiestnite.
- Vložte zarážky „A“ na miesto, výstupok „C“ zarážky by sa mal vsunúť do otvoru.
- Skrutky „B“ utahujte, kým varná doska nebude úplne zaistená.
- Ostrým nástrojom odrežte časť tesnenia „G“, ktorá vyčnieva z varnej dosky. Dávajte pozor, aby ste nepoškodili pracovnú dosku.



## POŽIADAVKY NA VETRANIE

Spotrebič musí byť nainštalovaný v súlade s platnými miestnymi predpismi týkajúcimi sa vetrania a odvádzania spalín.

Intenzívne a dlhodobé používanie môže vyžadovať doplnkové vetranie, napr. otvorenie okna, alebo účinnejšie vetranie zvýšením mechanického sacieho výkonu, pokiaľ je k dispozícii.

## VÝBER VHODNÉHO PROSTREDIA

Miestnosť, v ktorej sa má nainštalovať plynový spotrebič, musí mať prirodzené prúdenie vzduchu, aby mohol plyn horieť (v súlade s platnými miestnymi predpismi).

Prúd vzduchu musí pochádzať priamo z jedného alebo viacerých otvorov vytvorených na vonkajších stenách s voľnou plochou najmenej 100 cm<sup>2</sup> (alebo skontrolujte príslušné platné miestne predpisy).

Otvory by mali byť v blízkosti podlahy a, pokiaľ možno, na strane oproti odvodu produktov spaľovania. Okrem toho musia byť pripravené tak, aby ich nebolo možné zablokovať ani zvnútra ani zvonku.

Ak tieto otvory nie je možné urobiť, potrebný vzduch môže prichádzať zo susednej miestnosti, ktorá je dostatočne vetraná, pokiaľ to nie je spáľňa alebo nebezpečný priestor (v súlade s platnými miestnymi predpismi).

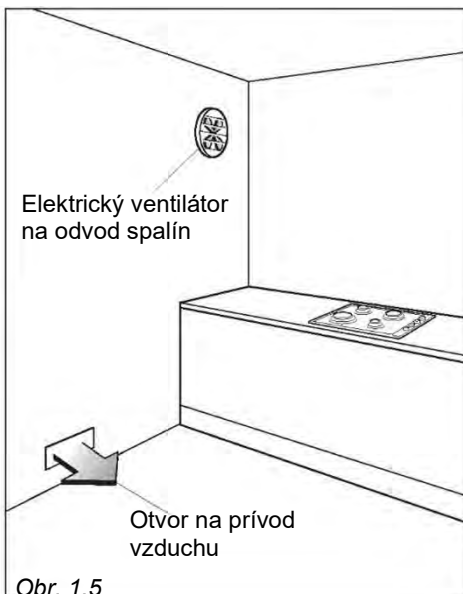
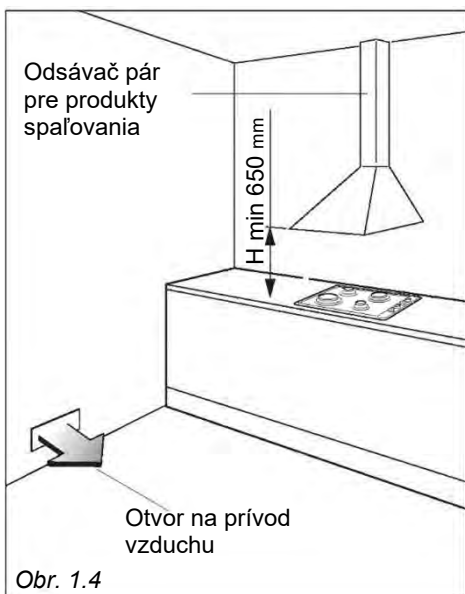
V takom prípade musia prívod vzduchu zaisťovať kuchynské dvere.

## VYPÚŠŤANIE SPALÍN

K dispozícii musia byť odsávače pár pripojené priamo k vonkajšej strane, aby bolo možné odvádzajú produkty spaľovania plynového spotrebiča (obr. 1.4).

Ak to nie je možné, môže sa použiť elektrický ventilátor namontovaný na vonkajšej stene alebo na okne. Ventilátor by mal mať kapacitu cirkulovať vzduch pri hodinovej rýchlosti 3- až 5-násobku celkového objemu vzduchu v kuchyni (obr. 1.5).

Ventilátor sa môže nainštalovať len vtedy, ak má miestnosť vhodné vetracie otvory umožňujúce prívod vzduchu, ako je opísané v časti „Výber vhodného prostredia“.



## 2 ČASŤ VENOVANÁ PLYNU

### POŽIADAVKY NA PLYNOVÉ SPOTREBIČE

#### Dôležité!

- Tento spotrebič smie inštalovať a jeho servis vykonávať len vhodne kvalifikovaný, registrovaný inštalatér. Inštalatér musí dodržiavať platné miestne normy.
- Nesprávna inštalácia spotrebiča môže mať za následok neplatnosť záruky výrobcu.
- Pred inštaláciou sa uistite, že miestne distribučné podmienky (typ plynu a tlak) a nastavenie tohto spotrebiča sú kompatibilné. Podmienky nastavenia spotrebiča sú uvedené na štítku alebo etikete.
- Ak je tlak plynu (pre ktorý sa má spotrebič používať) premenlivý, alebo ak nie je v rámci hodnôt uvedených na typovom štítku, je nevyhnutné nainštalovať správny regulátor tlaku plynu, ktorý musí byť nastavený tak, aby zaručoval správny prevádzkový tlak spotrebiča (podľa typového štítku). Regulátor musí nainštalovať, nastaviť a odskúšať kvalifikovaný technik.
- **VAROVANIE:** Používanie spotrebiča pri nesprávnom a/alebo s premenlivým tlakom plynu môže byť mimoriadne nebezpečné a môže viesť k vážnemu zraneniu používateľa. Ak sa táto podmienky nedodrží, môže dôjsť k poškodeniu spotrebiča. Výrobca odmieta akúkoľvek zodpovednosť za akékoľvek neprijemnosti vyplývajúce z nedodržania tejto podmienky.

Tento spotrebič sa dodáva na použitie so zemným plynom alebo LPG (skontrolujte štítok na reguláciu plynu pripevnený na spotrebiči).

- Spotrebiče dodávané na použitie so zemným plynom: sú upravené len pre daný plyn a nesmú sa používať pre žiadny iný plyn (LPG) bez úpravy. Spotrebiče sa vyrábajú na konverziu na LPG.
- Spotrebiče dodávané na použitie s LPG: sú upravené len pre daný plyn a nesmú sa používať so žiadnym iným plynom (zemný plyn) bez úpravy. Spotrebiče sú vyrábané na konverziu na zemný plyn.

Ak sa súprava na konverziu zemného plynu/LPG so spotrebičom nedodáva, je možné túto súpravu zakúpiť kontaktovaním popredajných služieb.

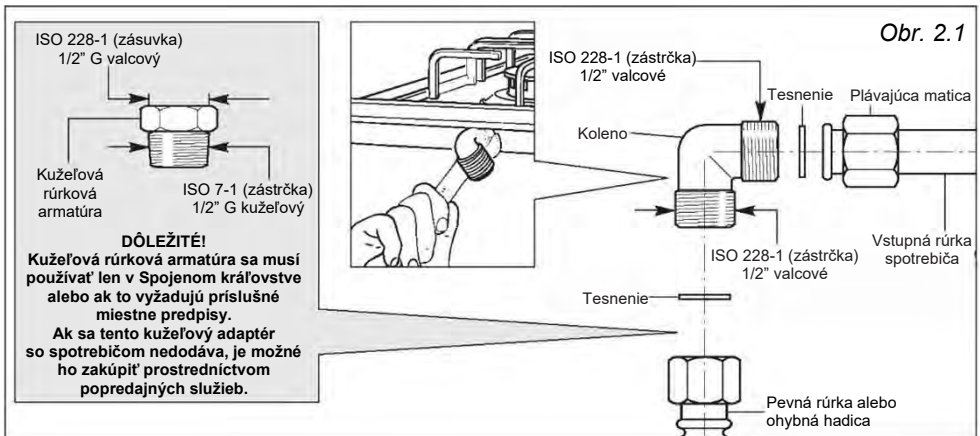
## PRIPOJENIE VARNEJ DOSKY K PRÍVODU PLYNU

Plynovú prípojku (obr. 2.1) tvoria:

- plávajúca matica;
- koleno;
- tesnenia;
- kužeľová rúrková armatúra - používa sa len v Spojenom kráľovstve alebo ak to vyžadujú príslušné miestne predpisy. V tomto prípade pred pripojením spotrebiča k prívodu plynu namontujte kužeľovú rúrkovú armatúru na koleno, do spoja vložte tesnenie. Ak sa kužeľová rúrková armatúra so spotrebičom nedodáva, je možné ju zakúpiť kontaktovaním popredajných služieb.

### Pripojenie plynu musí vykonať oprávnená osoba podľa príslušných miestnych noriem.

- Ak používate ohybnú hadicu, uistite sa, že sa nedostane do kontaktu s pohyblivými dielmi.
- Zadná časť rámu je zapustená, aby poskytovala kanál pre vstupnú rúrku spotrebiča.
- Plynová spojka sa môže otáčať v požadovanom smere (ale nikdy nie vo vertikálnej alebo horizontálnej polohe) po uvoľnení spoja kolena a plávajúcej matice.
- Nikdy sa nepokúšajte otočiť koleno bez toho, aby ste najprv uvoľnili plávajúcu maticu.
- Dodané tesnenia zaručujú dobré utesnenie pripojenia plynu. Tesnenia odporúčame vymeniť už pri najmenšom náznaku opotrebovania, deformácie alebo nejakej nedokonalosti.
- Po pripojení k rozvodu plynu skontrolujte mydlovou vodou, či sú spojky správne utesnené, nikdy však nepoužívajte otvorený plameň.





## DOPLNKOVÉ POŽIADAVKY NA PRIPOJENIE PLYNU

Pri pripájaní varnej dosky k prívodu plynu pomocou neohybných rúrok alebo ohybnej hadice sa uistíte, že:

- Používate neohybné rúrky alebo ohybnú hadicu v súlade s platnými miestnymi predpismi. Ohybná hadica musí mať správnu konštrukciu pre typ používaného plynu a správnu veľkosť, aby sa zachoval tepelný výkon spotrebiča.
- Pripojenie neohybnými kovovými rúrkami nespôsobuje namáhanie ani tlak na plynové potrubie.
- Ohybná hadica nie je pod napätím, skrútená, zalomená ani príliš pevne ohnutá, a to ani počas používania varnej dosky, ani počas jej pripojenia alebo odpojenia.
- Ohybná hadica nie je dlhšia ako 2 000 mm (alebo skontrolujte platné miestne predpisy) a nedostáva sa do kontaktu s ostrými hranami, rohmi alebo pohyblivými dielmi, pretože tieto diely by mohli spôsobiť odieranie. Používajte len jednu ohybnú hadicu; nikdy nepripájajte varnú dosku použitím viac než jednej ohybnej hadice.
- Ohybná hadica sa musí dať ľahko skontrolovať po celej dĺžke, aby sa overil jej stav. Ak je na nej dátum expirácie, treba ju pred uvedeným dátumom vymeniť.
- Ak používate ohybnú hadicu, ktorá nie je úplne vyrobená z kovu, uistite sa, že neprichádza do kontaktu so žiadnym dielom varnej dosky s povrchovou teplotou 70 °C alebo vyššou (alebo dodržiavajte platné miestne predpisy).
- Neohybná rúrka alebo ohybná hadica sa vymenia ihneď po zistení známok poškodenia.
- Ohybná hadica nie je vystavená nadmernému teplu priamym vystavením účinkom spalín alebo kontaktom s horúcimi povrchmi.
- Zásuvka, do ktorej je trvalo pripevnená zástrčka ohybnej hadice, je pevne pripevnená k plynovej inštaláčnej rúrke a je umiestnená tak, aby hadica voľne visela nadol.
- Zástrčka ohybnej hadice je po inštalácii prístupná, aby sa dala odpojiť na účely servisu alebo demontáže.
- Zákazníka informujte, že neohybná rúrka alebo ohybná hadica by nemali byť vystavené korózii v dôsledku pôsobenia čistiacich prostriedkov.

# ÚDRŽBA PLYNU

Kategóriu plynu skontrolujte na štítku s údajmi pripevnenom na spotrebiči

| TABUĽKA PRE VÝBER INJEKTOROV                  |                     |                    |                          |                        |
|---|---------------------|--------------------|--------------------------|------------------------|
| Kat.: II 2H 3+<br>(Krajiny IT-ES-PT-GB-SI-CZ) |                     |                    | G30/G31<br>28-30/37 mbar | G20<br>20 mbar         |
| Kat.: II 2E+3+<br>(Krajiny FR)                |                     |                    | G30/G31<br>28-30/37 mbar | G20/G25<br>20/25 mbar  |
| Kat.: II 2H3B/P<br>(Krajiny HR-RO-SI-CZ)      |                     |                    | G30/G31<br>30/30 mbar    | G20<br>20 mbar         |
| HORÁKY  | Menovitý výkon [kW] | Znížený výkon [kW] | Ø injektora [1/100 mm]   | Ø injektora [1/100 mm] |
| Stredne rýchly (SR)                           | 1,75                | 0,45               | 66                       | 101                    |
| Rýchly (R)                                    | 3,00                | 0,75               | 87                       | 129                    |
| Dvojitý kruh (DR)                             | 3,80                | 1,50               | 98                       | 141                    |

| VZDUCHOVÝ VENTIL POTREBNÝ NA SPALOVANIE PLYNU = (2 m <sup>3</sup> /h x kW) |   |
|--|---|
| HORÁKY   | Vzduch potrebný na spaľovanie [m <sup>3</sup> /h] |
| Stredne rýchly (SR)  | 3,50  |
| Rýchly (R)   | 6,00  |
| Dvojitý kruh (DR)  | 7,60  |

## MAZANIE PLYNOVÝCH KOHÚTIKOV

V prípade ťažkostí pri prevádzke plynových kohútikov zavolajte servis.

## DÔLEŽITÉ

Pri všetkých zásahoch týkajúcich sa inštalácie, údržby a prestavby spotrebiča sa musia vykonať s originálnymi dielmi z výroby.

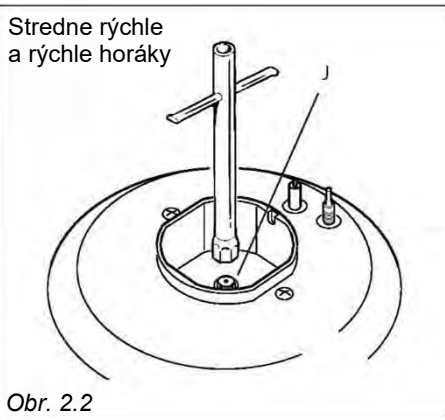
Výrobca odmieta akúkoľvek zodpovednosť v prípade nedodržania tejto povinnosti.

## VÝMENA INJEKTOROV

Vyberte injektory, ktoré treba vymeniť, podľa „Tabuľky pre výber injektorov“.

Priemery dýzy vyjadrené v stotinách milimetra sú vyznačené na tele každého injektora.

**Ak injektory nie sú dodané, je možné ich získať v „servisnom stredisku“.**

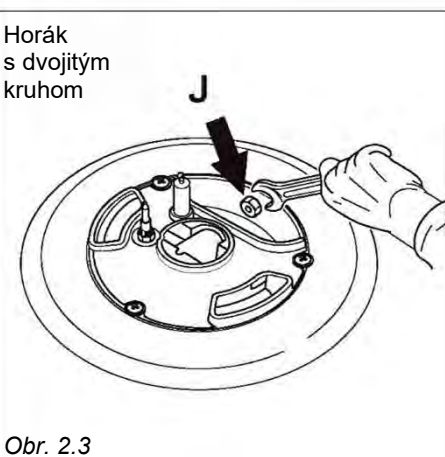


## VÝMENA INJEKTOROV HORÁKOV VARNEJ DOSKY

Pri výmene injektorov postupujte nasledovne:

- Odstráňte držiaky hrnca a horáky z varnej dosky.
- Kľúčom vymeňte vstrekovače dýz „J“ (obr. 2.2, 2.3) za injektory najvhodnejšie pre druh plynu, pre ktorý sa majú použiť.

**Horáky sú navrhnuté tak, aby sa nevyžadovala regulácia primárneho vzduchu.**



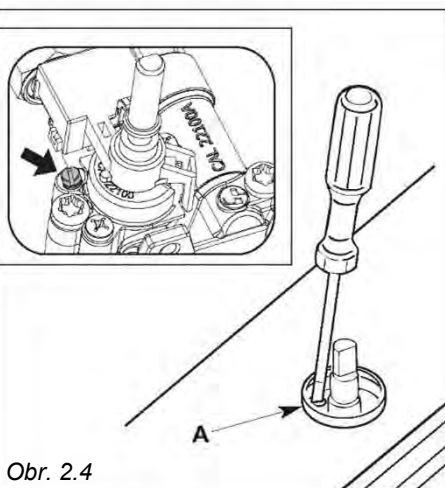
## NASTAVENIE MINIMA VRCHU HORÁKOV

V minimálnej polohe musí mať plameň dĺžku približne 4 mm a musí zostať horieť aj pri rýchlom otočení ovládača z maximálnej polohy na minimálnu.

Nastavenie plameňa sa robí nasledujúcim spôsobom:

- Zapáľte horák.
- Otočte kohútik do polohy MINIMA.
- Odmontujte gombík.
- Malým plochým skrutkovačom otočte skrutku „A“ do správnej polohy (obr. 2.4).

**Normálne pre G30/G31 (LPG) je regulačná skrutka utiahnutá.**



**DÔLEŽITÉ:** Spotrebič musí nainštalovať kvalifikovaný technik v súlade s platnými miestnymi predpismi a v súlade s pokynmi výrobcu. Nesprávna inštalácia môže spôsobiť zranenie osôb, zvierat alebo poškodenie majetku, za ktoré výrobca nepreberá žiadnu zodpovednosť.

Pripojenie k účinnému uzemňovaciemu systému je absolútne nevyhnutné. Výrobca nepreberá žiadnu zodpovednosť za žiadne problémy spôsobené nedodržaním tohto pravidla.

Pred vykonaním akejkoľvek práce na elektrickej časti spotrebiča sa spotrebič musí odpojiť od elektrickej siete.

## VŠEOBECNÉ POKYNY

- Pripojenie k elektrickému napájaniu musí vykonať kvalifikovaný technik, ktorý musí dodržiavať príslušné bezpečnostné predpisy.
- Spotrebič musí byť pripojený k elektrickej sieti, pričom treba skontrolovať, či napätie zodpovedá hodnote na typovom štítku, a či časti elektrického kábla vydržia zaťaženie špecifikované na štítku.
- Ak sa varná doska dodáva bez zástrčky, namontujte štandardnú zástrčku, ktorá je vhodná pre príkon spotrebič a v súlade s platnými miestnymi predpismi.
- Farby vodičov v napájacom kábli spotrebiča nemusia zodpovedať farbám vyznačeným na koncovkách elektrickej zástrčky. Zástrčka by mala byť vždy zapojená nasledovne:
  - pripojte zeleno-žltý vodič ku svorke označenej písmenom „E“ alebo symbolom uzemnenia „ $\perp$ “ alebo zeleno-žltou farbou;

- pripojte modrý vodič ku koncovke označenej písmenom „N“ alebo čiernou farbou;
- pripojte hnedý vodič ku koncovke označenej písmenom „L“ alebo červenou farbou.
- Zástrčka sa musí pripojiť do zásuvky pripojenej k uzemňovacej jednotke v súlade s bezpečnostnými normami.
- Ak treba spotrebič pripojiť priamo do elektrickej siete, musí sa medzi spotrebič a elektrickú sieť umiestniť omnipolárny spínač s minimálnou medzerou medzi kontaktmi 3 mm.
- Napájací kábel sa nesmie dotýkať horúcich dielov a musí byť umiestnený tak, aby jeho teplota nepresiahla 50 °C nad teplotou okolia.
- Po inštalácii spotrebiča musí byť hlavný vypínač alebo sieťová zástrčka vždy v prístupnej polohe.
- Ak je napájací kábel poškodený, musí sa vymeniť za vhodný kábel dostupný v popredajnom servise.
- Spotrebič musí mať vlastné napájanie, všetky ostatné spotrebiče nainštalované v jeho blízkosti musia byť napájané samostatne.
- **POZN. Na pripojenie k elektrickej sieti nepoužívajte adaptéry, reduktory ani rozdvojky, pretože môžu spôsobiť prehriatie a požiar.**
- **Ak je povrch varnej dosky prasknutý, odpojte spotrebič od elektrickej siete a požiadajte o pomoc popredajné služby.**

V prípade, že by si inštalácia vyžadovala úpravy káblov elektrickej siete, odporúča sa zavolať kvalifikovaného technika, aby urobil potrebné zmeny.

Technik bude musieť tiež overiť, či prierez elektrických káblov v bode napájania zodpovedá menovitému výkonu spotrebiča.

## VÝMENA KÁBLA NA ELEKTRICKÉ NAPÁJANIE

**VAROVANIE:** Ak je elektrický napájací kábel poškodený, smie ho vymeniť len autorizovaný servisný pracovník, aby sa zabránilo nebezpečenstvu.

Používajte rovnaký typ elektrického napájacieho kábla.

Tento kábel musí byť pripojený k svorkovnici podľa schémy na obr. 3.1.

**POZNÁMKA:** Uzemňovací vodič musí byť o približne 3 cm dlhší ako ostatné vodiče.

Úkony musí vykonávať kvalifikovaný technik.

## PRIEREZ NAPÁJACIEHO KÁBLA

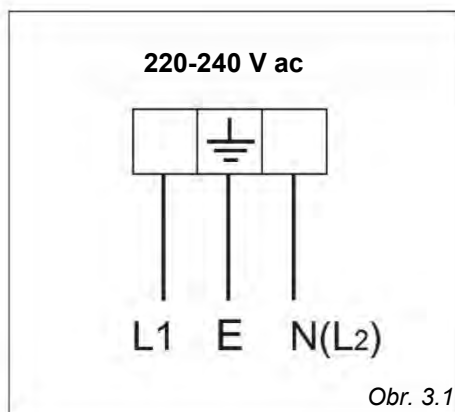
TYP „H05V2V2-F“

(odolné voči teplotám 90°C)

220-240 V 50 - 60 Hz 3 x 0,75 mm<sup>2</sup> (\*) (\*\*)

(\*) Možnosť pripojenia k zástrčke a zásuvke

(\*\*) Zapojenie pripojením k nástennej skrinke.

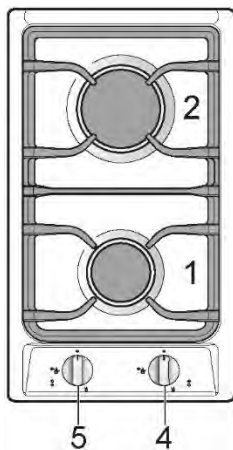




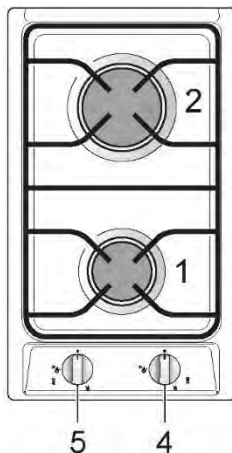
# Rady pre používateľov

# 1

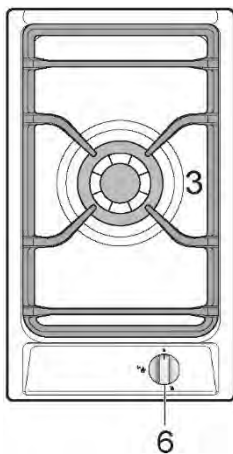
## VLASTNOSTI



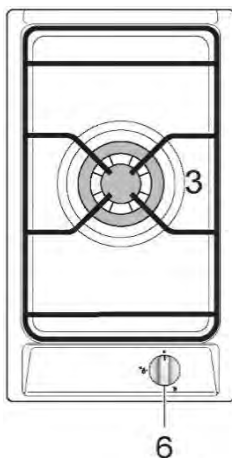
Obr. 1.1a



Obr. 1.1b



Obr. 1.2a



Obr. 1.2b

**Upozornenie!**  
Varnú dosku nezakrývajte alobalom.

**POZNÁMKA:**  
Gombíky a symboly sa môžu líšiť.



## **VARNÉ BODY**

- |                                 |         |
|---------------------------------|---------|
| 1. Stredne rýchly horák (SR)    | 1,75 kW |
| 2. Rýchly horák (R)             | 3,00 kW |
| 3. Horák s dvojitým kruhom (DC) | 3,80 kW |

## **OPIS OVLÁDACIEHO PANELA**

4. Ovládací gombík rýchleho horáka (2)
5. Ovládací gombík stredne rýchleho horáka (1)
6. Ovládací gombík horáka s dvojitým kruhom (3)

## **POZNÁMKA:**

- Elektrické zapáľovanie je zabudované do gombíkov.
- Spotrebič má namontovaný systém bezpečnostných ventilov, ktorý zaistí zastavenie prietoku plynu, ak by plameň náhodne zhasol.

## **UPOZORNENIE:**

Ak horák náhodne zhasne, vypnite plyn ovládacím gombíkom a pred jeho opätovným zapálením počkajte aspoň 1 minútu.

## **UPOZORNENIE:**

Plynové varné dosky produkujú v prostredí, v ktorom sú inštalované, teplo a vlhkosť. Uistite sa, že varná plocha je dobre vetraná otvorením prirodzených vetracích mriežok alebo inštaláciou odsávača pár pripojeného k výstupnému kanálu.

## **UPOZORNENIE:**




Ak sa varná doska používa dlhší čas, môže byť potrebné zabezpečiť ďalšie vetranie otvorením okna alebo zvýšením sacieho výkonu odsávača pár (ak je namontovaný).

## 2 PLYNOVÉ HORÁKY

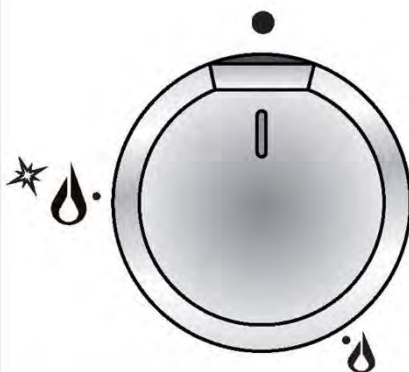
### PLYNOVÉ HORÁKY

Prietok plynu do horákov sa nastavuje otáčaním gombíkov (znázornené na obr. 2.1), ktoré ovládajú bezpečnostné ventily.

Otáčaním gombíka tak, aby čiara indikátora ukazovala symboly vytlačené na paneli, sa dosiahnu nasledujúce funkcie:

- symbol  uzavretý ventil
  - symbol  maximálne otvorenie alebo prietok
  - symbol  minimálne otvorenie alebo prietok
- Poloha maximálneho otvorenia umožňuje rýchle zovretie kvapalín, zatiaľ čo poloha minimálneho otvorenia umožňuje pomalšie ohrievanie jedál alebo udržiavanie varu kvapalín.
  - Ak chcete znížiť prietok plynu na minimum, otočte gombíkom ďalej proti smeru hodinových ručičiek, aby ukazovateľ smeroval k symbolu malého plameňa.
  - Iné prechodné prevádzkové nastavenia sa dajú dosiahnuť umiestnením indikátora medzi maximálnu a minimálnu polohu otvorenia, nikdy medzi polohy maximálneho otvorenia a polohu zatvorenia.

**POZNÁMKA:** Gombík a symboly sa môžu líšiť.



Obr. 2.1


**Upozornenie!**  
**Varnú dosku nezakrývajte alobalom.**

**Upozornenie!**  
**Varná doska sa počas prevádzky veľmi zohreje.**  
**Uchovávajte deti mimo dosahu.**

**POZN.** Ak varnú dosku nepoužívate, nastavte ovládacie gombíky plynu do ich zatvorenej polohy a zatvorte aj kohútik na tlakovej plynovej nádobe alebo na hlavnom prívodnom potrubí plynu.

## ZAPÁLENIE PLYNOVÝCH HORÁKOV VYBAVENÝCH BEZPEČNOSTNÝM VENTILOM

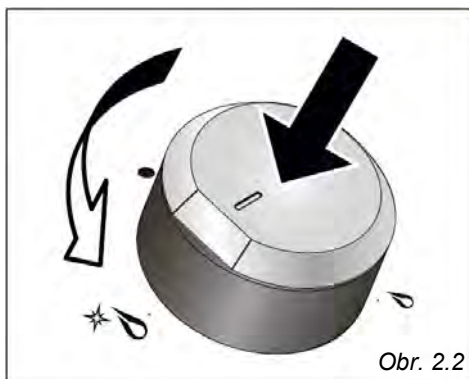
Pri zapáľovaní horáka treba dodržiavať nasledujúce pokyny:

1. Stlačte príslušný gombík a otočte ho proti smeru hodinových ručičiek (obr. 2.2) do polohy plného plameňa označenej symbolom  (obr. 2.1), podržte gombík, kým sa plameň nezapáli. V prípade poruchy siete zapáľte horák zápalkou alebo zapalovačom.
2. Po zapálení plynového horáka počkajte niekoľko sekúnd, až potom gombík uvoľnite (oneskorenie aktivácie ventilu).
3. Nastavte plynový ventil do požadovanej polohy.

Ak z nejakého dôvodu plameň horáka zhasne, bezpečnostný ventil automaticky zastaví prívod plynu.

Ak chcete horák znovu zapáliť, vráťte gombík do zatvorenej polohy „●“, počkajte aspoň **1 minútu** a potom zapálenie zopakujte.

**Poznámka:** Ak váš miestny prívod plynu sťažuje zapálenie horáka s gombíkom nastaveným na maximum, nastavte gombík na minimum a úkon zopakujte.



Obr. 2.2

## VÝBER HORÁKA

Na ovládacom paneli, je v blízkosti každého gombíka schéma, ktorá ukazuje, ktorý horák je ovládaný týmto gombíkom.

Vhodný horák sa musí zvoliť v závislosti od priemeru a použitej kapacity.

Horáky a varné nádoby sa musia používať v súlade s nasledujúcimi pokynmi:

### PIERER NÁDOB, KTORÉ SA MÔŽU POUŽIŤ NA HORÁKOCH

| HORÁKY             | MINIMÁLNE | MAXIMÁLNE  |
|--------------------|-----------|------------|
| Stredne rýchly (*) | 16 cm     | 22 cm      |
| Rýchly             | 22 cm     | 26 cm      |
| Trojitý kruh       | 24 cm     | 28 cm      |
| Wok                | -         | Max. 36 cm |

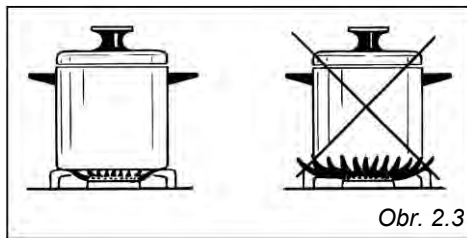
### ne používajte panvice s konkávnymi alebo konvexnými základňami

(\*) s mriežkou na malý riad: minimálny priemer 6 cm (len pre modely dodávané s mriežkou na malé panvice)

Je dôležité, aby priemer varnej nádoby zodpovedal kapacite horáka, aby sa neohrozil vysoký výkon horákov a tým sa predišlo plytvaniu energiou. Malá varná nádoba na veľkom horáku neskráti dobu ohrevu na bod varu, pretože kapacita absorpcie tepla kvapalnej hmoty závisí od objemu aj povrchu varnej nádoby.

**UPOZORNENIE:** Uistite sa, že panvice sú v strede horáka, zaistí to maximálnu stabilitu a vyššiu účinnosť.

Uistite sa, že varné nádoby nie sú v kontakte s ovládacími gombíkmi, inak by plameň mohol prehriať gombíky a trvalo ich poškodiť.



Obr. 2.3

## POMOCNÁ MRIEŽKA PRE MALÉ NÁDOBY (Voliteľná)

Túto mriežku treba položiť na (menší) pomocný horák pri použití varných nádob s menším priemerom, aby sa zabránilo ich prevráteniu.



Obr. 2.4

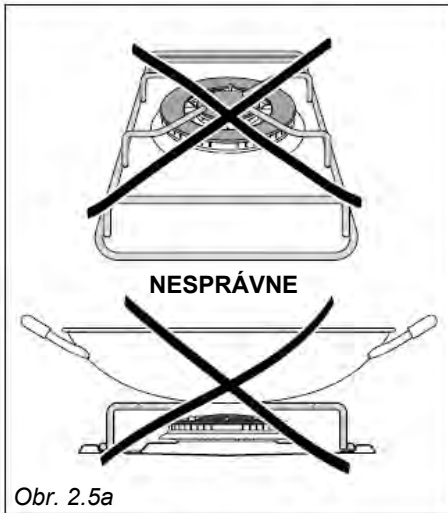
## SPRÁVNE POUŽITIE HORÁKA S DVOJITÝM KRUHOM

(len modely s horákom s dvoma kruhmi)

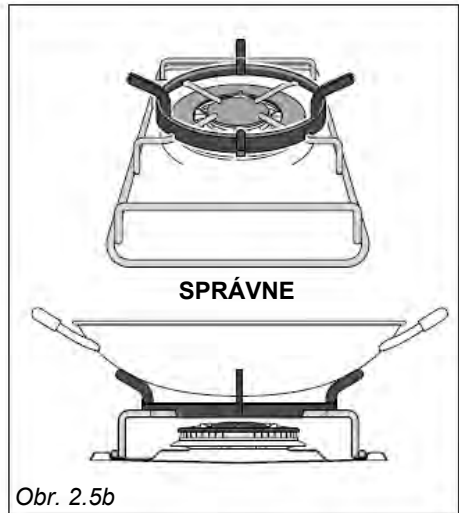
- Ak chcete použiť WOK, musíte umiestniť príslušný stojan (ak sa so spotrebičom nedodáva adaptér pre panvicu wok, bude toto príslušenstvo k dispozícii ako príslušenstvo za príplatok), aby sa zabránilo akejkoľvek chybné prevádzke horáka s dvojitým kruhom (obr. 2.5a - 2.5b - 2.6a - 2.6b).
- Panvice s plochým dnom sa kladú priamo na držiak panvice.

### DÔLEŽITÉ:

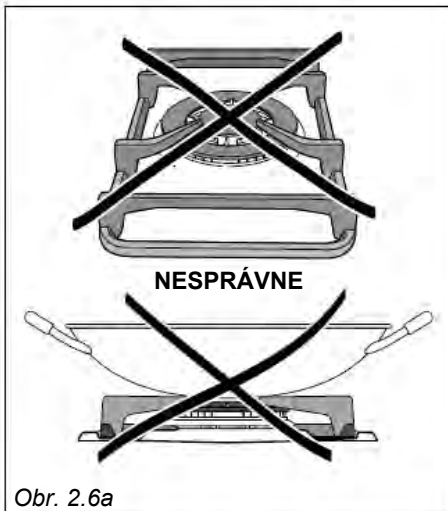
- Špeciálna mriežka pre panvice wok (obr. 2.5b - 2.6b) sa **SMIE UMIESTNIŤ IBA** na stojan pre horák s dvoma kruhmi.



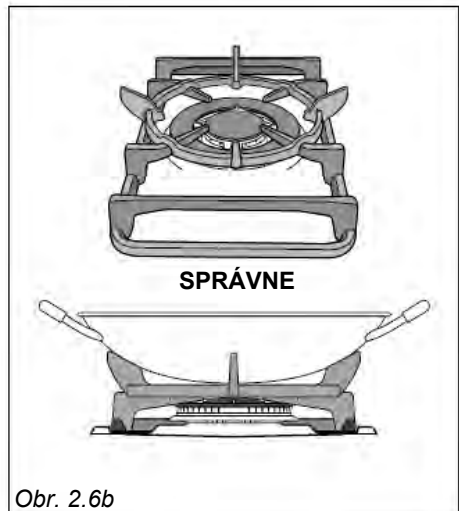
Obr. 2.5a



Obr. 2.5b



Obr. 2.6a



Obr. 2.6b

## VŠEOBECNÁ RADA

- **Pred začatím čistenia sa musíte uistiť, že varná doska je vypnutá.**
- Čistenie sa odporúča, keď je spotrebič studený, a to najmä pri čistení smaltovaných častí.
- Všetky smaltované povrchy sa musia umyť vodou so saponátom alebo iným neabrazívnym prípravkom špongiou a prednostne sa musia vysušiť mäkkou handričkou.
- Dávajte pozor, aby sa na povrchy nedostali zásadité ani kyslé látky (citrónová šťava, ocot a pod.).
- **Nepoužívajte čistiace prostriedky s chlóróm alebo kyslou bázou.**
- **Dôležité: Pri manipulácii so spotrebičom alebo pri jeho čistení sa odporúča používať vhodný ochranný odev/rukavice.**
- **Za žiadnych okolností by sa nemali byť odstránené žiadne vonkajšie kryty, s výnimkou pred opravami a vykonaním údržby zo strany kvalifikovaného personálu.**
- Očistíte povrchy vlhkou handričkou a používajte jemné, neutrálne čistiace prostriedky. Osušte čistou, suchou handričkou.
- **DÔLEŽITÉ: Nepoužívajte žiadne abrazívne výrobky (napr. určité typy špongií) a/ alebo agresívne výrobky (napr. žieravá sóda, výrobky obsahujúce korozívne látky), ktoré by mohli spôsobiť neopraviteľné poškodenie povrchu.**

## VAROVANIE

**Ak je výrobok správne nainštalovaný, spĺňa všetky bezpečnostné požiadavky stanovené pre túto kategóriu výrobkov. Osobitnú pozornosť však treba venovať spodnej časti spotrebiča, pretože táto oblasť nie je určená na dotyk a môže obsahovať ostré alebo drsné hrany, ktoré môžu spôsobiť zranenie.**

## SMALTOVANÉ ČASTI

Všetky smaltované časti sa musia čistiť len špongiou a vodou so saponátom alebo inými neabrazívnymi výrobkami.

Osušte najlepšie mikrovláknovou alebo mäkkou handričkou.

Ak na smalte ostane kyslé látky ako citrónová šťava, paradajková konzerva, ocot atď., poškodia ho leptaním a jeho vzhľad bude matný.

## POVRCHY Z NEHRDZAVEJÚCEJ OCELE

Diely z nehrdzavejúcej ocele sa musia opláchnuť vodou a osušiť mäkkou a čistou handričkou. V prípade ťažko odstrániteľných nečistôt použite špecifické neabrazívne výrobky dostupné na trhu alebo trochu horúceho octu.

**Dôležité: Výrobca odmieta akúkoľvek zodpovednosť za možné škody spôsobené používaním nevhodných výrobkov na čistenie spotrebiča.**

**Pozor! Spotrebič je veľmi horúci, hlavne v okolí varných plôch. Je veľmi dôležité, aby deti pri príprave jedla nezostali v kuchyni samé.**

**Nepoužívajte parný čistič, pretože vlhkosť sa môže dostať do spotrebiča, čo ohrozí jeho bezpečnosť.**

## **FARBENÉ DIELY A POVRCHY LEŠTENÉ ALEBO POTLAČENÉ SIEŤOTLAČOU**

Vyčistite vhodným produktom. Vždy dôkladne osušte.

**DÔLEŽITÉ:** tieto diely sa musia čistiť veľmi starostlivo, aby sa nepoškriabali ani neodreli. Odporúčame používať mäkkú handričku a neutrálny saponát.

**UPOZORNENIE:** Nepoužívajte abrazívne látky ani iné ako neutrálne čistiace prostriedky, pretože by nenapraviteľne poškodili povrch.

**Poznámka:** Nepretržité používanie môže spôsobiť zmenu glazúry okolo horákov, kde je plocha vystavená teplu.

## **PLYNOVÉ KOHÚTIKY**

Nedovoľte, aby sa čistiace prostriedky dostali do kontaktu s ventilmi.

Pravidelné mazanie plynových kohútikov smie vykonávať len odborný personál.

V prípade prevádzkových porúch plynových kohútikov kontaktujte servisné oddelenie.

## **HORÁKY A DRŽIAKY HRNCOV**

Tieto časti sa musia čistiť len špongiou a vodou so saponátom alebo inými neabrazívnymi výrobkami. Osušte suchou handričkou.

**Varovanie! Nevhodné do umývačky riadu.**

Po vyčistení sa musia horáky a ich rozptyľovače plameňa dobre vysušiť a správne vrátiť na miesto.

Je veľmi dôležité skontrolovať, či je rozptyľovač plameňa horáka a uzáver správne umiestnený. Ak tak neurobíte, môže to spôsobiť vážne problémy.

Skontrolujte, či je elektróda „S“ (obr. 3.1, 3.3) vedľa každého horáka vždy čistá, aby sa zabezpečilo bezproblémové zapálenie plameňa.

Skontrolujte, či je sonda „T“ (obr. 3.1, 3.3) vedľa každého horáka vždy čistá, aby sa zabezpečilo správne fungovanie bezpečnostných ventilov.

**Sonda aj zapaľovacia zástrčka musia byť veľmi starostlivo vyčistené.**

**Poznámka:** Aby nedošlo k poškodeniu elektrického zapaľovania, nepoužívajte ho, keď horáky nie sú na svojom mieste.

**Poznámka:** Nepretržité používanie môže spôsobiť zmenu glazúry okolo horákov a mriežok, kde je plocha vystavená teplu. Ide o prirodzený jav, ktorý nezabraňuje správne fungovaniu dielov.

## **SPRÁVNA VÝMENA STREDNE RÝCHLEHO A RÝCHLEHO HORÁKA**

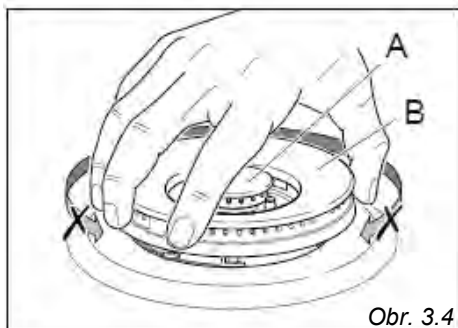
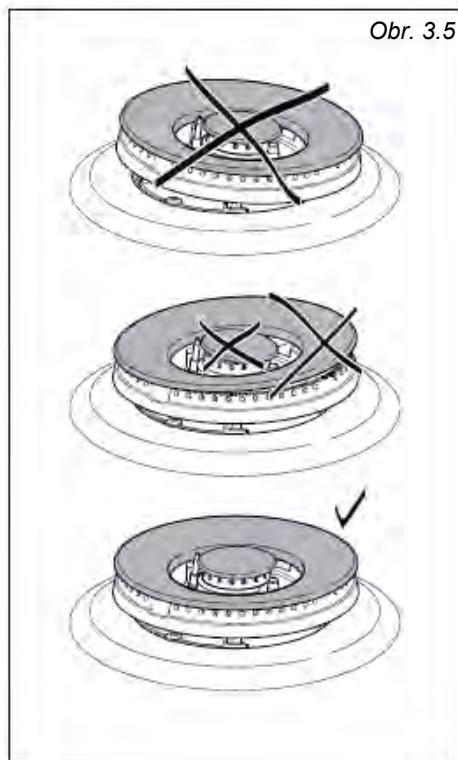
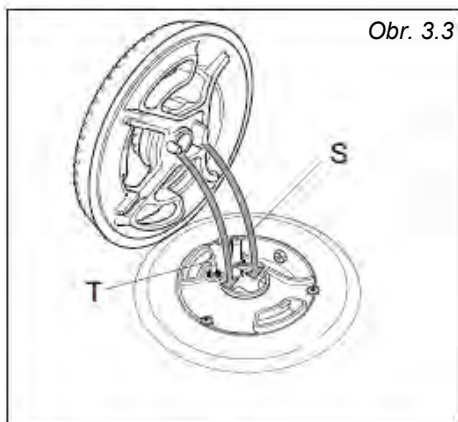
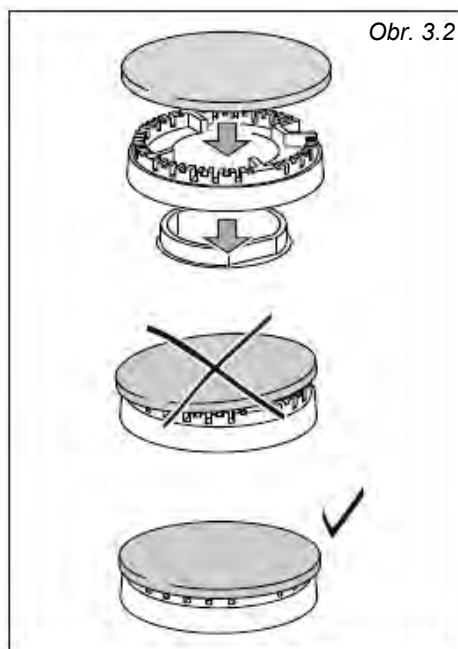
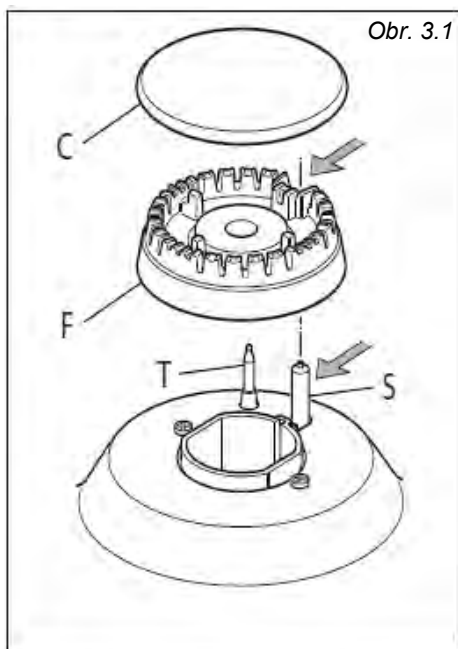
Je veľmi dôležité skontrolovať, či sú rozptyľovač plameňa horáka „F“ a uzáver „C“ správne umiestnené (pozri obr. 3.1, 3.2) - nedodržanie pokynu môže spôsobiť vážne problémy.

## **SPRÁVNA VÝMENA DVOJITÉHO KRUHU (len na niektorých modeloch)**

Horák musí byť správne umiestnený; v opačnom prípade to môže spôsobiť vážne problémy.

Nasaďte rozptyľovač plameňa na telo, ako znázorňujú šípky (pozri obr. 3.3, 3.4, 3.5).

Správne umiestnený horák sa nesmie otáčať (obr. 3.5).



## **Spoštovani,**

*zahvaljujemo se vam, da ste kupili in dali prednost našemu izdelku.*

*Spodaj navedeni varnostni ukrepi in priporočila so namenjeni vaši varnosti in varnosti drugih oseb. Zagotovili bodo tudi način, na katerega boste v celoti izkoristili funkcije, ki jih ponuja vaš aparat.*

*Prosimo, da to knjižico skrbno shranite. V prihodnosti bi lahko koristila vam ali drugim osebam, če bi se pojavili dvomi v zvezi z delovanjem aparata.*

***Ta aparat se sme uporabljati izključno za namen, za katerega je bila izrecno zasnovana, to je za kuhanje živil. Vsaka druga oblika uporabe se šteje za neprimerno in zato nevarno.***

***Proizvajalec zavrača vsakršno odgovornost v primeru škode, ki jo povzroči neustrezna, nepravilna ali nelogična uporaba aparata.***

## **ES-IZJAVA O SKLADNOSTI**

- Ta aparat je zasnovan samo za uporabo za kuhanje. Vsaka druga uporaba (kot je ogrevanje prostora) je neprimerna in nevarna.
- Ta aparat je bil zasnovan, izdelan in dan na trg v skladu z:
  - varnostnimi zahtevami Uredbe (EU) 2016/426 o plinu;
  - varnostnimi zahtevami Direktive 2014/35/EU o nizki napetosti;
  - varnostnimi zahtevami Direktive 2014/30/EU EMC;
  - zahtevami Direktive EU 93/68/EGS;
  - zahtevami Direktive EU 2011/65/EU.





## POMEMBNI VARNOSTNI UKREPI IN PRIPOROČILA

**POMEMBNO:** Ta aparat je zasnovan in izdelan izključno za kuhanje domače (gospodinjske) hrane in ni primeren za kakršno koli negospodinjsko uporabo, zato se ga ne sme uporabljati v komercialnem okolju.

Uporaba aparata v negospodinjskem okolju, npr. v delno komercialnih, komercialnih ali skupnih prostorih, izniči garancijo za aparat.

**Pred namestitvijo in uporabo aparata natančno preberite navodila.**

- Ta aparat je bil zasnovan in izdelan v skladu z veljavnimi standardi za gospodinjske kuhalne izdelke in izpolnjuje vse varnostne zahteve, prikazane v tem priročniku, vključno zahtevami glede temperatur površin.  
Nekatere osebe z občutljivo kožo lahko imajo lahko ob dotiku nekaterih delov bolj izrazito temperaturno zaznavanje, čeprav so ti deli v mejah, ki jih dopuščajo standardi.  
Popolna varnost aparata je odvisna tudi od pravilne uporabe, zato priporočamo, da ste med uporabo izdelka vedno zelo pozorni, zlasti v prisotnosti otrok.
- Po razpakiranju aparata se prepričajte, da ni poškodovan.  
V primeru dvoma ga ne uporabljajte in se posvetujte z dobaviteljem ali strokovno usposobljenim tehnikom.
- Delov embalaže (npr. plastičnih vrečk, stiropora, žeblicev, pakirnih trakov itd.) ne smete puščati v dosegu otrok, saj se z njimi lahko hudo telesno poškodujejo.
- Jekleni in aluminijasti deli nekaterih aparatov so prevlečeni z zaščitno folijo. **Pred uporabo aparata morate omenjeno folijo odstraniti.**
- POMEMBNO: Med ravnanjem s tem aparatom in čiščenjem priporočamo uporabo ustreznih zaščitnih oblačil/rokavic.

- Ne poskušajte spreminjati tehničnih lastnosti aparata, saj lahko s tem postane nevaren za uporabo. Proizvajalec zavrača vso odgovornost za morebitne nevarnosti, ki izhajajo iz neupoštevanja tega pogoja.
- **POZOR:** aparat se lahko namesti samo v stalno prezračevanem prostoru v skladu z veljavnimi predpisi.
- Aparata ne uporabljajte z zunanjim časovnikom ali ločenim sistemom daljinskega upravljanja.
- Ne izvajajte čiščenja ali vzdrževanja aparata, če ga pred tem ne izklopite iz električnega napajanja.
- Ne uporabljajte parnega čistilca, ker lahko v aparat vstopi vlaga, kar povzroči nevarnost.
- Kuhalne plošče ne pokrivajte z aluminijevo folijo.
- Aparata se ne dotikajte z mokrimi ali vlažnimi rokami (ali nogami).
- Aparata ne uporabljajte bosi.
- Če se odločite, da aparata ne boste več uporabljali (ali se odločite za zamenjavo z drugim modelom), priporočamo, da ga pred odlaganjem na ustrezen način v skladu s predpisi o zdravju in varstvu okolja onesposobite za uporabo, pri čemer zagotovite zlasti, da so vsi potencialno nevarni deli neškodljivi, zlasti v zvezi z otroki, ki bi se lahko igrali z neuporabljanimi aparati.
- Različne sestavne dele aparata je mogoče reciklirati. Odložite jih v skladu s predpisi, ki veljajo v vaši državi. Če želite aparat zavržeti, odstranite napajalni kabel.
- Po uporabi se prepričajte, da so gumbi/upravljalni elementi v položaju za izklop.
- Otroci, mlajši od 8 let, naj se ne približujejo aparatu, razen če so pod stalnim nadzorom.
- Ta aparat lahko uporabljajo otroci, starejši od 8 let, ter osebe z zmanjšanimi fizičnimi, senzoričnimi ali umskimi zmožnostmi ali s pomanjkanjem izkušenj in znanja, pod ustreznim nadzorom, ali če imajo navodila za varno uporabo aparata ter če razumejo s tem povezana tveganja. Otroci se z aparatom ne smejo igrati. Otroci ne smejo čistiti aparata in na njem ne smejo izvajati vzdrževalnih del brez ustreznega nadzora.

- Proizvajalec zavrača vsakršno odgovornost za telesne poškodbe ali materialno škodo, ki nastane zaradi neustrezne ali nepravilne uporabe aparata.
- **OPOZORILO:** Med uporabo se aparat in njegovi dostopni deli segrejejo; vroči ostanejo še nekaj časa po uporabi.
  - Poskrbite, da preprečite stik z grelnimi elementi kuhalne plošče.
  - Majhni otroci naj se ne približujejo aparatu, da preprečite opekline in oparine.
- Poskrbite, da električni kabli, ki povezujejo druge aparate v bližini kuhalne plošče, ne morejo priti v stik s kuhalno ploščo.
- **OPOZORILO:** Kuhanje z maščobo ali oljem na kuhalni plošči brez nadzora je lahko nevarno in lahko povzroči požar. Ognja NIKOLI ne poskušajte pogasiti z vodo, ampak najprej izklopite aparat in nato plamene pokrijte npr. s pokrovko ali ognjevarno odejo.
- **OPOZORILO:** Nevarnost požara: na kuhalnih površinah ne shranjujte nobenih predmetov.
- **OPOZORILO:** Ko je izdelek pravilno nameščen, izpolnjuje vse varnostne zahteve, določene za tovrstno kategorijo izdelkov. Vendar, okoli spodnjega dela aparata je potrebna posebna previdnost, saj to območje ni zasnovano ali predvideno za dotikanje in lahko vsebuje ostre ali grobe robove, ki lahko povzročijo telesne poškodbe.
- **POZOR:** Postopek kuhanja je treba nadzorovati. Kratkotrajni postopek kuhanja mora biti pod stalnim nadzorom.
- Če je napajalni kabel poškodovan, ga lahko zamenja izključno pooblaščen servisier, da se prepreči nevarnost.
- Če aparat ni opremljen z napajalnim kablom in vtičem ali drugim mehanizmom za odklop z napajalnega omrežja na podlagi ločitve stika na vseh polih, ki zagotavlja popolno odklopitev pod pogoji prenapetosti kategorije III, je treba v fiksno ožičenje vgraditi odklopni mehanizem v skladu s pravili o ožičenju.
- **OPOZORILO:** Aparat in njegovi dostopni deli se med delovanjem močno segrejejo.  
Poskrbite, da preprečite stik z grelnimi elementi.  
Otroci, mlajši od 8 let, naj se ne približujejo aparatu, razen če so pod stalnim nadzorom.

- **OPOZORILO:** Uporabljajte samo zaščite kuhalnih plošč, ki jih je izdelal proizvajalec aparata za kuhanje ali jih je proizvajalec navedel v uporabniških navodilih kot primerne, ali zaščite kuhalnih plošč, ki so vgrajene v aparatu. Zaradi uporabe neprimernih zaščit lahko pride do nezgod.

## **OZNAČEVANJE ENERGETSKE UČINKOVITOSTI/OKOLJSKO PRIMERNA ZASNOVA**

- Uredba Komisije (EU) št. 66/2014 (o izvedbi Direktive 2009/125/ES Evropskega parlamenta in Sveta).

Sklicevanje na meritve in računske metode, ki se uporabljajo za ugotavljanje skladnosti z zgornjimi zahtevami:

- Standard EN30-2-1 (kuhalne plošče: plinski gorilniki).

## **UPORABA APARATA, NASVETI ZA VARČEVANJE Z ENERGIJO**

### **KUHALNA PLOŠČA**

#### **PLINSKI GORILNIKI**

- Pomembno je, da je premer lonca primeren za moč gorilnika, da ne ogroža visoke izhodne moči gorilnikov in s tem izgubljanja energije. Majhen lonec na velikem gorilniku ne zagotavlja krajšega časa do zavretja vsebine, saj je zmogljivost absorpcije toplote mase tekočine odvisna od prostornine in površine lonca.
- Ne vklopite gorilnika, če na njem ni ničesar (ni lonca).

## **POMEMBNE INFORMACIJE ZA PRAVILNO ODSTRANJEVANJE IZDELKA V SKLADU Z DIREKTIVO ES 2012/19/EU.**

Izdelka se ob koncu življenjske dobe ne sme odložiti med gospodinjske odpadke. Odnesti ga je treba v poseben lokalni občinski center za zbiranje odpadkov ali k trgovcu, ki zagotavlja to storitev.

Ločeno odlaganje gospodinjskega aparata preprečuje morebitne negativne posledice za okolje in zdravje, ki izhajajo iz neustreznega odlaganja, in omogoča predelavo sestavnih materialov, da se doseže znaten prihranek energije in virov. Kot opomnik na potrebo po ločenem odlaganju gospodinjskih aparatov je izdelek označen s prečrtanim smetnjakom na kolesih.



# Nasvet za monterja

## POMEMBNO:

- Aparat je zasnovan in odobrena samo za domačo uporabo, zato se je ne sme namestiti v komercialne, delno komercialne ali skupne prostore.  
**Garancija za izdelek ne velja, če je nameščen v katerem koli od zgoraj navedenih prostorov in bi lahko vplival na kakršno koli zavarovanje odgovornosti tretjih oseb ali javne odgovornosti, ki ste ga sklenili.**
- Aparat lahko namesti, nastavi in prilagodi za delovanje samo pooblaščen osebje v skladu z veljavnimi lokalnimi predpisi in v skladu z navodili proizvajalca.  
Neupoštevanje tega pogoja izniči garancijo.
- Aparat je treba namestiti v skladu s predpisi, ki veljajo v vaši državi, in ob upoštevanju navodil proizvajalca.
- Montažni tehniki morajo upoštevati veljavne zakone o prezračevanju in odvajanju izpušnih plinov.
- Nepravilna namestitev, za katero proizvajalec ne prevzema nobene odgovornosti, lahko povzroči telesne poškodbe ali materialno škodo.
- Aparat lahko servisira le pooblaščen osebje.
- Pred izvajanjem vzdrževanja ali popravil aparat vedno izklopite iz električnega omrežja.
- **Pomembno: Med ravnanjem s tem aparatom in čiščenjem priporočamo uporabo ustreznih zaščitnih oblačil/rokavic.**
- **Plošče so zasnovane za vgradnjo v kuhinjske elemente globine 600 mm, katerih delovna površina je debela od 30 do 40 mm.**
- **Aparat je treba namestiti v enote, odporne na toploto.**
- **Stene enot ne smejo biti višje od delovne površine in morajo biti odporne na temperature 105 °C nad sobno temperaturo.**
- **Opozarjamo, da mora lepilo, ki plastični laminat veže na pohištvo, vzdržati temperature najmanj 150 °C, da se prepreči odstopanje laminata.**
- **Aparata ne nameščajte v bližini vnetljivih materialov (npr. zaves).**

## OPOZORILO!

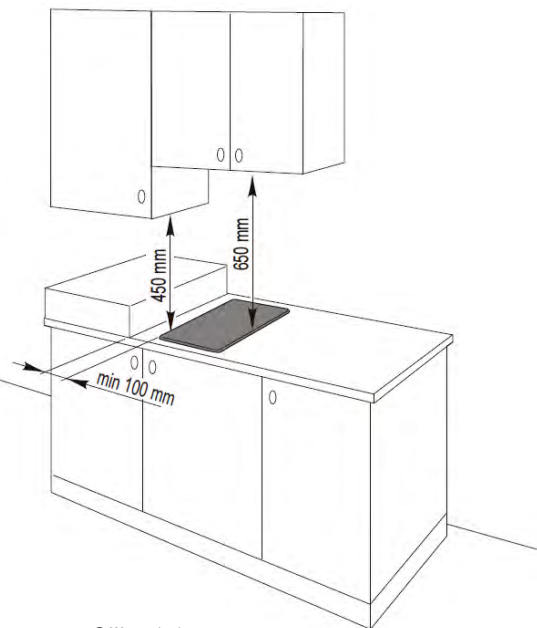
Ko je izdelek pravilno nameščen, izpolnjuje vse varnostne zahteve, določene za tovrstno kategorijo izdelkov. Vendar, okoli spodnjega dela aparata je potrebna posebna previdnost, saj to območje ni zasnovano ali predvideno za dotikanje in lahko vsebuje ostre ali grobe robove, ki lahko povzročijo telesne poškodbe.

# 1

## NAMESTITEV

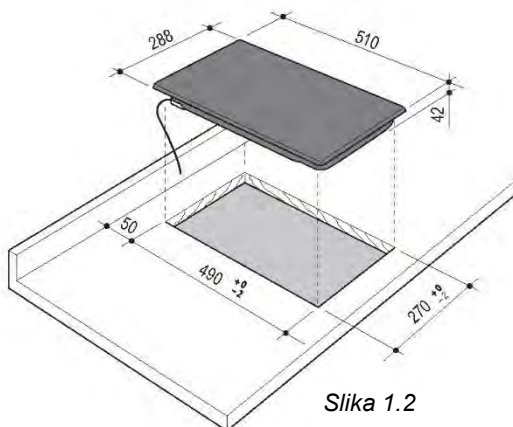
### TEHNIČNE INFORMACIJE ZA MONTERJA

- Za vgradnjo kuhalne plošče v kuhinjsko omarico je treba izrezati luknjo velikosti, ki je prikazana na sliki 1.1, pri čemer je treba upoštevati naslednje:
- Med spodnjo stranjo aparata in omaricami, predalom ali aparatom je treba zagotoviti prezračevalno režo 30 mm.
- Če je dno kuhalne plošče po namestitvi dostopno skozi omarico ali predal, toplotna zaščitna pregrada ni potrebna.
- Če je kuhalna plošča nameščena nad pečico, morata biti aparata priključena na plinsko in/ali električno omrežje z neodvisnimi priključki.
- Vrh kuhalne plošče mora biti najmanj 100 mm od katere koli stranske stene (od stranskega roba izreza – sl. 1.1).
- Kuhalna plošča mora biti nameščena najmanj 50 mm od stene (od zadnjega roba izreza – sl. 1.2).
- Med kuhalno ploščo in katero koli visečo omarico ali kuhinjsko napo, nameščeno neposredno nad njo, mora biti razdalja najmanj 650 mm (glej sliko 1.1).



Slika 1.1

**Aparata ne nameščajte v bližini vnetljivih materialov (npr. zaves).**



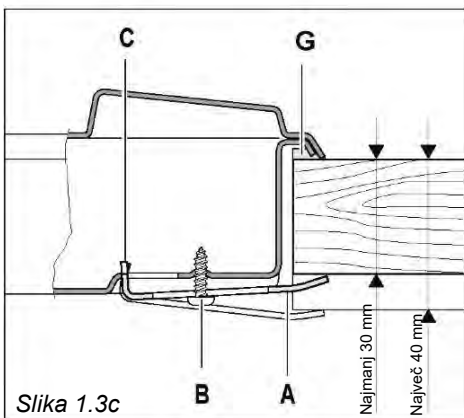
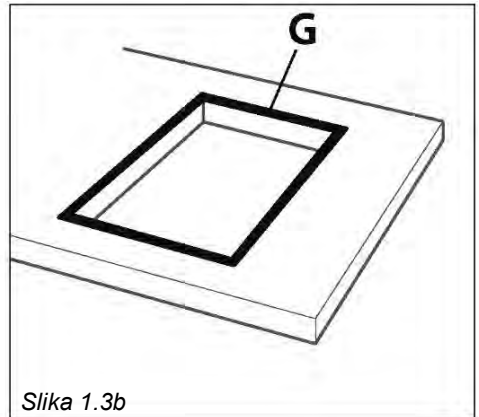
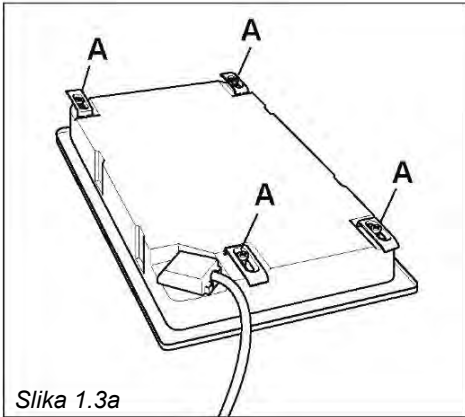
Slika 1.2

## PRITRDITEV KUHALNE PLOŠČE (slike 1.3a, 1.3b, 1.3c)

Vsaka kuhalna ploščica je opremljena s kompletom za montažo, vključno z nosilci in vijaki za pritrditev kuhalne ploščice na delovne pulte debeline od 30 do 40 mm.

Komplet vključuje 4 jezičke »A« in 4 samonavojne vijake »B«.

- Prerežite enoto.
- Raztegnite tesnilo »G« čez rob izdelane luknje, pri čemer pazite, da prekrijete stične robove (sl. 1.3b).
- Obrnite kuhavno ploščo in vstavite jezičke »A« (sl. 1.3a) v nosilce; vijake »B« privijte le za nekaj obratov. Prepričajte se, da so jezički pravilno nameščeni, kot prikazuje slika 1.3c. Zavrtite jezičke, da lahko kuhavno ploščo postavite v luknjo.
- Kuhavno ploščo položite v luknjo, izrezano v enoti, in jo namestite v ustrezen položaj.
- Namestite jezičke »A«; zob »C« jezičkov je treba vstaviti v luknjo.
- Privijte vijake »B«, da kuhavno ploščo povsem pritrdite.
- Z ostrim orodjem odrežite del tesnila »G«, ki štrli iz kuhalne ploščice. Pazite, da ne poškodujete delovnega pulta.



## ZAHTEVE GLEDE PREZRAČEVANJA

Aparat je treba namestiti v skladu z veljavnimi lokalnimi predpisi o prezračevanju in odvajanju izpušnih plinov.

Ob intenzivni in dolgotrajni uporabi je morda potrebno dodatno prezračevanje, npr. odpiranje okna, ali učinkovitejše prezračevanje, ki poveča mehansko sesalno moč, če je nameščena tovrstna naprava.

## IZBIRA PRIMERNEGA OKOLJA

V prostoru, v katerega boste namestili aparat, mora obstajati naravni pretok zraka, da lahko plin gori (v skladu z veljavnimi lokalnimi predpisi).

Pretok zraka mora prihajati neposredno iz ene ali več odprtih na zunanjih stenah s prostim območjem najmanj 100 cm<sup>2</sup> (ali v skladu z veljavnimi lokalnimi predpisi).

Odprtine morajo biti v bližini tal in po možnosti na nasprotni strani dimnikov kurilnih naprav, izdelane pa morajo biti tako, da jih niti od znotraj niti od zunaj ni mogoče zamašiti.

Če teh odprtih ni mogoče narediti, lahko potrebni zrak prihaja iz sosednjega prostora, v katerem je zagotovljeno potrebno prezračevanje, pod pogojem, da to ni spalnica ali nevarno območje (v skladu z veljavnimi lokalnimi predpisi).

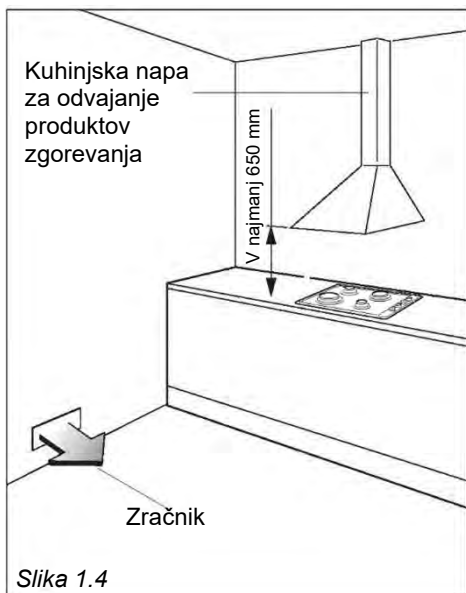
V tem primeru morajo kuhinjska vrata omogočati pretok zraka.

## IZPUŠČANJE PRODUKTOV ZGOREVANJA

Zagotovljene morajo biti kuhinjske nape z neposredno povezavo na prosto, da se omogoči odvajanje produktov zgorevanja plinske naprave (sl. 1.4).

Če to ni mogoče, se lahko uporabi električni ventilator, pritrjen na zunanjo steno ali okno; ventilator mora imeti zmogljivost od 3- do 5-kratne zamenjave celotne prostornine zraka v kuhinji na uro (sl. 1.5).

Ventilator se lahko namesti le, če ima prostor ustrezne zračnike, ki omogočajo pritekanje zraka, kot je navedeno v razdelku »Izbira ustreznega okolja«.





## 2 PLINSKI DEL

### ZAHTEVE ZA PLINSKO NAPELJAVO

#### Pomembno!

- Aparat lahko namesti in servisira le ustrezno usposobljen, registriran monter. Monter mora upoštevati veljavne lokalne standarde.
- Nepravilna namestitvev aparata lahko povzroči razveljavitev garancije proizvajalca.
- Pred namestitvijo se prepričajte, da je nastavitev aparata združljiva z lokalnimi pogoji distribucije (vrsta in tlak plina). Pogoji za nastavitev aparata so navedeni na ploščici ali nalepki.
- Če je tlak plina (ki se uporablja za aparat) spremenljiv ali če ni v mejah vrednosti, navedenih na tipski ploščici, je treba obvezno namestiti ustrezen regulator tlaka plina, ki ga je treba prilagoditi, da se zagotovi pravilen delovni tlak aparata (glede na tipsko ploščico).  
Regulator mora namestiti, nastaviti in preskusiti usposobljen tehnik.
- **OPOZORILO:** Uporaba aparata z napačnim in/ali spremenljivim tlakom plina je lahko izredno nevarna in lahko povzroči hude telesne poškodbe uporabnika. Ob neupoštevanju tega pogoja lahko nastanejo poškodbe aparata.  
Proizvajalec zavrača vsakršno odgovornost za kakršne koli nevšečnosti, ki so posledica neupoštevanja tega pogoja.

Ta aparat je predviden za uporabo z zemeljskim plinom ali utekočinjenim naftnim plinom (preverite oznako o predpisih glede plina, ki je pritrjena na aparat).

- Aparati, dobavljeni za uporabo z zemeljskim plinom: prilagojeni so samo za ta plin, zato jih brez sprememb ni mogoče uporabljati z drugim plinom (utekočinjen naftni plin). Aparati so izdelani tako, da se lahko predelajo za uporabo z utekočinjenim naftnim plinom.
- Aparati, dobavljeni za uporabo z utekočinjenim naftnim plinom: prilagojeni so samo za ta plin, zato jih brez sprememb ni mogoče uporabljati z drugim plinom (zemeljski plin). Aparati so izdelani tako, da se lahko predelajo za uporabo z zemeljskim plinom.

Če komplet za predelavo na uporabo z zemeljskim plinom/utekočinjenim naftnim plinom ni dobavljen z aparatom, ga lahko kupite tako, da se obrnete na službo za poprodajne storitve.

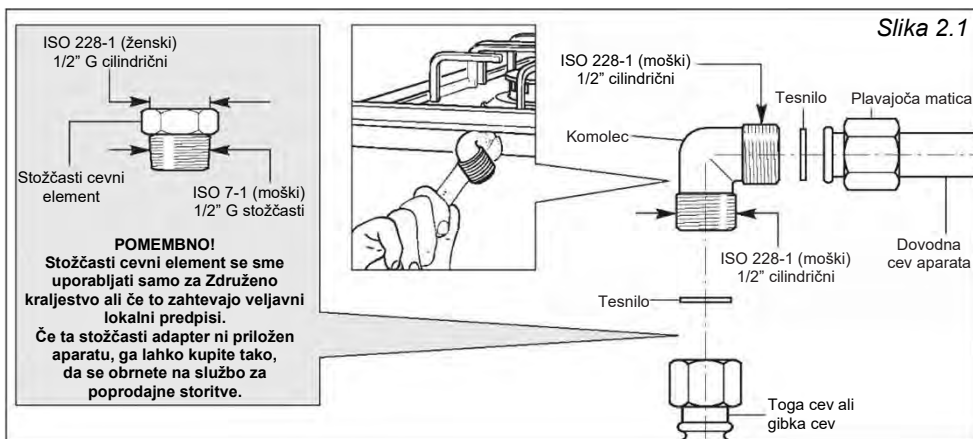
## PRIKLJUČITEV KUHALNE PLOŠČE NA DOVOD PLINA

Priključni sistem za plin (slika 2.1) je sestavljen iz naslednjih elementov:

- plavajoča matica;
- komolec;
- tesnila;
- stožčasti cevni element – uporablja se samo v Združenem kraljestvu ali če to zahtevajo veljavni lokalni predpisi. V tem primeru pred priključitvijo aparata na dovod plina namestite stožčasti cevni element na komolec nad tesnilom. Če stožčasti cevni element ni priložen aparatu, ga lahko kupite tako, da se obrnete na službo za poprodajne storitve.

### Priključitev na plin mora izvesti pooblaščen oseba v skladu z ustreznimi lokalnimi standardi.

- Če uporabljate gibko cev, se prepričajte, da ne pride v stik s premikajočimi se deli.
- Na zadnjem delu ohišja je vdolbina, ki zagotavlja kanal za dovodno cev aparata.
- Po popustitvi priključka komolca in plavajoče matice se priključek za plin lahko obrne v zahtevano smer (vendar nikoli v navpični ali vodoravni položaj).
- Komolca nikoli ne poskusite obrniti, ne da bi najprej popustili plavajočo matico.
- Priložena tesnila zagotavljajo dobro zatesnitev plinskega priključka. Priporočamo, da tesnila zamenjate že ob najmanjših znakih obrabe, deformacije ali pomanjkljivosti.
- Po priključitvi na plinsko omrežje z milnico preverite, ali so spojke pravilno zatesnjene. Tega nikoli ne preverjajte z odprtim plamenom.



## DODATNE ZAHTEVE ZA PRIKLJUČITEV NA PLIN

Pri priključitvi kuhalne plošče na dovod plina s togo cevjo ali gibko cevjo poskrbite, da:

- Uporabljate toge cevi ali gibko cev, ki so skladne z veljavnimi lokalnimi predpisi. Gibka cev mora imeti ustrezno konstrukcijo za vrsto plina, ki se uporablja, in ustrezno velikost za vzdrževanje toplote moči aparata.
- Povezava s togo kovinsko cevjo ne povzroča obremenitve ali pritiska na plinske cevi.
- Gibka cev ni napeta, zvita, prepognjena ali pretirano upognjena, niti med uporabo kuhalne plošče niti med priklapljanjem ali odklapljanjem.
- Gibka cev ni daljša od 2000 mm (oziroma glejte veljavne lokalne predpise) in ni v stiku z ostrimi robovi, vogali ali premikajočimi se deli, saj lahko ti povzročijo odrgnine. Uporabite samo eno gibko cev; kuhalne plošče nikoli ne priključite z več kot eno gibko cevjo.
- Je gibko cev mogoče enostavno pregledati po celotni dolžini, da se preveri njeno stanje; če ima rok uporabnosti, jo je treba zamenjati pred tem datumom.
- Če uporabljate gibko cev, ki ni v celoti izdelana iz kovine, poskrbite, da ne pride v stik z nobenim delom kuhalne plošče, katerega površinska temperatura je 70 °C ali višja (oziroma glejte veljavne lokalne predpise).
- Togo ali gibko cev zamenjate, če kažeta znake poškodb.
- Gibka cev ni izpostavljena prekomerni toploti zaradi neposredne izpostavljenosti izpušnim plinom ali zaradi stika z vročimi površinami.
- Vtičnica, v katero se namesti vtič gibke cevi, je trajno pritrjen na fiksno plinsko cev in nameščen tako, da cev prosto visi.
- Vtič gibke cevi je dostopen po namestitvi, tako da ga je mogoče odklopiti za namenom servisiranja ali odstranitve.
- Stranko obvestite, da na togi ali gibki cevi ne sme povzročiti korozije s čistilnimi sredstvi.

# VZDRŽEVANJE PLINA

Kategorijo plina preverite na podatkovni oznaki, pritrjeni na aparat

| PREGLEDNICA ZA IZBIRO VBRIZGALNIKOV          |                  |                          |                           |                           |
|--|------------------|--------------------------|---------------------------|---------------------------|
| Kat.: II 2H 3+<br>(države IT-ES-PT-GB-SI-CZ) |                  | G30/G31<br>28-30/37 mbar |                           | G20<br>20 mbar            |
| Kat.: II 2E+3+<br>(države FR)                |                  | G30/G31<br>28-30/37 mbar |                           | G20/G25<br>20/25 mbar     |
| Kat.: II 2H3B/P<br>(države HR-RO-SI-CZ)      |                  | G30/G31<br>30/30 mbar    |                           | G20<br>20 mbar            |
| GORILNIKI                                    | Nazivna moč [kW] | Zmanjšana moč [kW]       | Ø vbrizgalnika [1/100 mm] | Ø vbrizgalnika [1/100 mm] |
| Srednje hitri (SR)                           | 1,75             | 0,45                     | 66                        | 101                       |
| Hitri (R)                                    | 3,00             | 0,75                     | 87                        | 129                       |
| Dvojni obroč (DR)                            | 3,80             | 1,50                     | 98                        | 141                       |

| ZRAČNA ŠOBA, POTREBNA ZA ZGOREVANJE PLINA = (2 m <sup>3</sup> /h x kW) |  |
|--|--|
| GORILNIKI  | Zrak, potreben za zgorevanje [m <sup>3</sup> /h] |
| Srednje hitri (SR)   | 3,50   |
| Hitri (R)  | 6,00   |
| Dvojni obroč (DR)  | 7,60   |

## MAZANJE PLINSKIH PIP

V primeru težav z delovanjem plinskih pip pokličite servis.

## POMEMBNO

Vsi posegi glede namestitve, vzdrževanja in predelave aparata morajo biti izvedeni z originalnimi tovarniškimi deli.

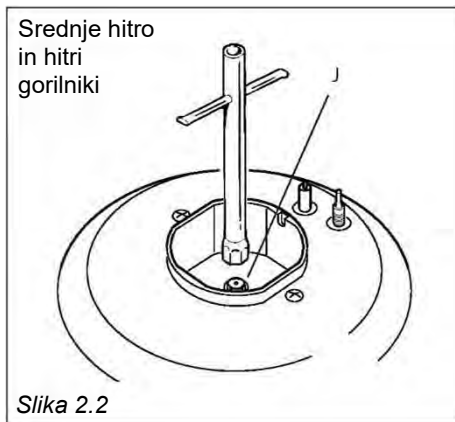
Proizvajalec zavrača vsakršno odgovornost, ki izhaja iz neizpolnjevanja te obveznosti.

## ZAMENJAVA VBRIZGALNIKOV

Vbrizgalnike, ki jih želite zamenjati, izberite v skladu s »Preglednico za izbiro vbrizgalnikov«.

Premeri šob, izraženi v stotinkah milimetra, so označeni na ohišju vsakega vbrizgalnika.

**Če vbrizgalniki niso na voljo, jih lahko dobite v servisnem centru.**

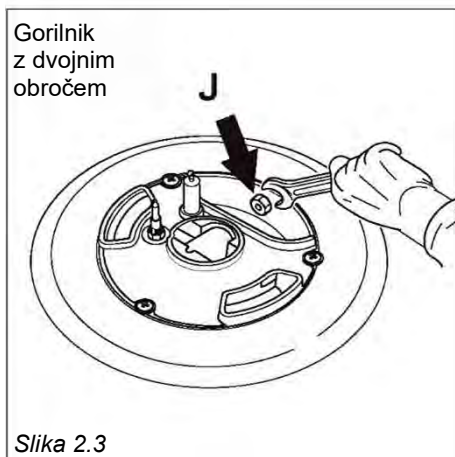


## ZAMENJAVA VBRIZGALNIKOV GORILNIKOV KUHALNE PLOŠČE

Če želite zamenjati vbrizgalnike, izvedite naslednje:

- Odstranite nosilce posod in gorilnike s kuhalne plošče.
- S ključem zamenjajte vbrizgalnike šob »J« (sl. 2.2, 2.3) s tistimi, ki so najprimernejši za vrsto plina, za katero se bodo uporabljali.

**Gorilniki so zasnovani tako, da ne zahtevajo reguliranja primarnega zraka.**



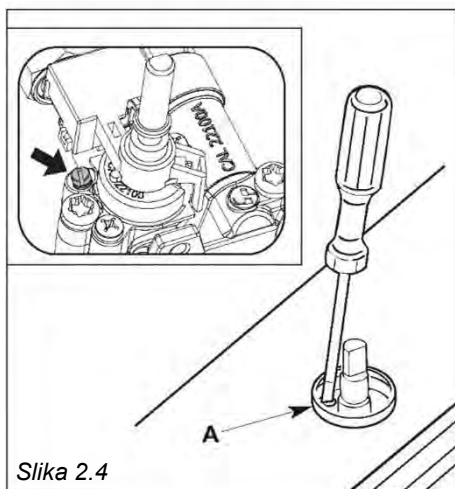
## NASTAVITEV MINIMUMA ZGORNJIH GORILNIKOV

V položaju minimum mora biti plamen dolg približno 4 mm in mora ostati prižgan tudi pri hitrem obratu iz položaja maksimum v položaj minimum.

Nastavitev plamena se izvede na naslednji način:

- Prižgite gorilnik.
- Obrnite pipo v položaj MINIMUM.
- Snemite gumb.
- Z majhnim ravnim izvijačem zavrtite vijak »A« na pravilno reguliranje (sl. 2.4).

**Za G30/G31 (utekočinjen naftni plin) je regulacijski vijak običajno zategnjen.**



**POMEMBNO:** Aparat mora namestiti usposobljen tehnik v skladu z veljavnimi lokalnimi predpisi in navodili proizvajalca. Nepravilna namestitvev lahko povzroči poškodbe ljudi, živali ali predmetov, za katere proizvajalec ne prevzema nikakršne odgovornosti.

Priključitev na dobro ozemljitveno napeljavo je absolutno bistvena. Proizvajalec ne prevzema nobene odgovornosti za morebitne nevarnosti, ki jih povzročijo neupoštevanje tega pravila.

Pred izvajanjem kakršnih koli del na električnem delu aparata ga je treba odklopiti iz omrežja.

## SPLOŠNO

- Priključitev na električno napajanje mora izvesti usposobljen tehnik in v skladu z ustreznimi varnostnimi predpisi.
- Pred priključitvijo aparata na električno omrežje je treba preveriti, ali napetost ustreza vrednosti, navedeni na tipski ploščici, in ali lahko električni kabli prenesejo obremenitev, navedeno na ploščici.
- Če je kuhalna plošča dobavljena brez vtiča, namestite standardni vtič, ki je primeren za moč, ki jo črpa aparat, in v skladu z veljavnimi lokalnimi predpisi.
- Barve žic v napajalnem kablu aparata se morda ne ujemajo z barvami, označenimi na priključkih električnega vtiča. Vtič mora biti vedno ožičen na naslednji način:
  - priključite zeleno/rumeno žico na priključek, ki je označen s črko »E« ali ozemljitvenim simbolom » $\perp$ « ali pa je obarvan zeleno/rumeno;
  - modro žico priključite na priključek, označen s črko »N« ali obarvano črno;
  - rjavo žico priključite na priključek, označen s črko »L« ali obarvan rdeče.
- Vtič mora biti priključen na vtičnico, priključeno na ozemljitveno enoto, ki je v skladu z varnostnimi standardi.
- Če je treba aparat priključiti neposredno na električno omrežje, jo je treba namestiti z omnipolarnim stikalom z najmanjšo odprtino med stiki 3 mm med aparatom in omrežjem.
- Napajalni kabel se ne sme dotikati vročih delov in mora biti nameščen tako, da njegova temperatura ne preseže 50 °C nad temperaturo okolja.
- Po namestitvi aparata mora biti stikalo ali vtič vedno na dostopnem mestu.
- Če je napajalni kabel poškodovan, ga je treba zamenjati z ustreznim kablom, ki je na voljo pri službi za poprodajne storitve.
- Aparat mora imeti lastno napajanje; vsi drugi aparati, ki so nameščeni v njegovi bližini, se morajo napajati ločeno.
- **POMNITE: Za povezavo z omrežjem ne uporabljajte adapterjev, reduktorjev ali naprav za razvejanje, saj lahko povzročijo pregrevanje in ogenj.**
- **Če je površina kuhalne plošče počena, aparat odklopite iz omrežja in se obrnite na službo za poprodajne storitve.**

V primeru, da bi namestitev zahtevala spremembe električnega napajalnega sistema, je priporočljivo, da za izvedbo zamenjave pokličete usposobljenega tehnika.

Tehnik mora preveriti tudi, ali je presek električnih kablov na napajalni točki v skladu z nazivno močjo aparata.

## ZAMENJAVA NAPAVALNEGA KABLA

**OPOZORILO:** Če je napajalni kabel poškodovan, ga lahko zamenja izključno pooblaščen servisier, da se prepreči nevarnost.

Uporabite isto vrsto napajalnega kabla.

Ta kabel mora biti priključen na priključni blok po diagramu na sliki 3.1.

**OPOMBA:** Ozemljitveni vodnik mora biti približno 3 cm daljši od ostalih.

Posege mora izvesti usposobljen tehnik.

## ODSEK NAPAVALNEGA KABLA

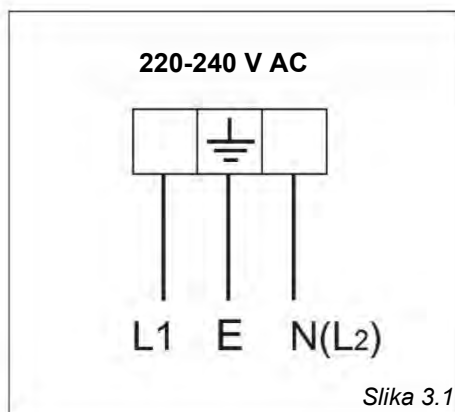
**TIP »H05V2V2-F«**

**(odporen na temperaturo 90 °C)**

220-240 V 50-60 Hz 3 x 0,75 mm<sup>2</sup> (\*) (\*\*)

(\*) Možna je povezava z vtičem in vtičnico

(\*\*) Povezava s priključkom v stenski omarici.



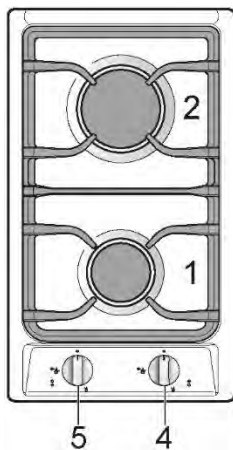




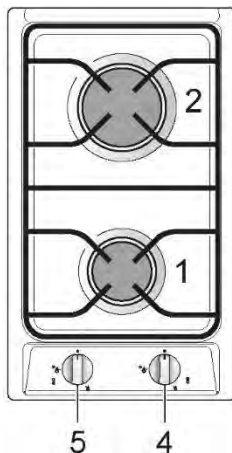
# Nasveti za uporabnike

# 1

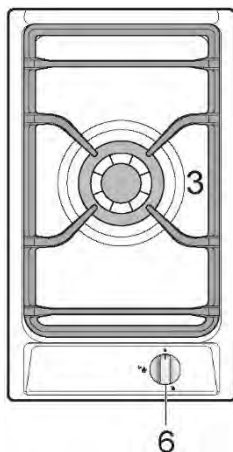
## FUNKCIJE



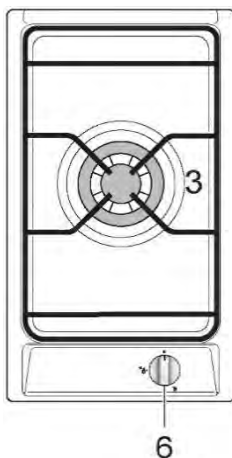
Slika 1.1a



Slika 1.1b



Slika 1.2a



Slika 1.2b

**Pozor!**  
Kuhalne plošče ne pokrivajte z aluminijevo folijo.

**OPOMBA:**  
Gumbi in simboli se lahko razlikujejo.

## KUHALIŠČA

- |                                     |         |
|-------------------------------------|---------|
| 1. Srednje hitri gorilnik (SR)      | 1,75 kW |
| 2. Hitri gorilnik (R)               | 3,00 kW |
| 3. Gorilnik z dvojnimi obročem (DC) | 3,80 kW |

## OPIS NADZORNE PLOŠČE

4. Gumb za upravljanje hitrega gorilnika (2)
5. Gumb za upravljanje srednje hitrega gorilnika (1)
6. Gumb za upravljanje gorilnika z dvojnimi obročem (3)

## OPOMBA:

- Električni vžig je vgrajen v gumba.
- V aparat je nameščen varnostni ventil. Če plamen nenamerno ugasne, se pretok plina ustavi.

## POZOR:

Če gorilnik nenamerno ugasne, izklopite plin z gumbom za upravljanje plina in pred poskusom ponovnega prižiganja počakajte najmanj 1 minuto.

## POZOR:

Plinske kuhalne plošče proizvajajo toploto in vlažnost v okolju, v katerem so nameščene. Poskrbite za dobro prezračevanje prostora za kuhanje z odpiranjem rešetk za naravno prezračevanje ali namestitvijo kuhinjske nape, priključene na odvod.

## POZOR:




Če kuhhalno ploščo uporabljate dlje časa, bo morda treba zagotoviti dodatno prezračevanje z odpiranjem okna ali povečanjem sesalne moči nape (če je nameščena).

## 2 PLINSKI GORILNIKI

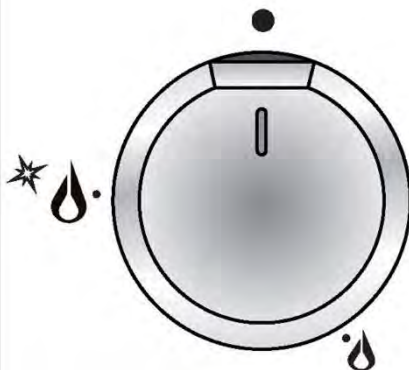
### PLINSKI GORILNIKI

Pretok plina do gorilnikov se prilagaja z vrtenjem gumbov (prikazanih na sliki 2.1), ki upravljajo varnostne ventile.

Z vrtenjem gumba tako, da indikatorska črta kaže na simbole, natisnjene na plošči, dosežemo naslednje funkcije:

- simbol  zaprt ventil
  - simbol  največji pretok
  - simbol  najmanjši pretok
- Položaj največjega pretoka omogoča hitro vrenje tekočin, medtem ko položaj najmanjšega pretoka omogoča počasnejše segrevanje hrane ali ohranjanje vretja tekočin.
  - Za zmanjšanje pretoka plina na minimum obrnite gumb v nasprotni smeri urinega kazalca, da indikator usmerite proti simbolu majhnega plamena.
  - Druge vmesne prilagoditve delovanja se lahko dosežejo s postavitvijo indikatorja med največji in najmanjši pretok, nikoli pa med največji pretok in zaprt pretok.

**OPOMBA:** Gumb in simboli se lahko razlikujejo.



Slika 2.1


**Pozor!**  
Kuhalne plošče ne pokrivajte z aluminijevo folijo.

**Pozor!**  
Kuhalna plošča se med delovanjem zelo segreje.  
Otroci naj se ji ne približujejo.

**POMNITE:** Ko kuhalne plošče ne uporabljate, nastavite gumbes za plin v zaprte položaje in zaprite ventil na plinski jeklenki ali glavnem dovodnem vodu plina.

## PRŽIGANJE PLINSKIH GORILNIKOV, OPREMLJENIH Z VARNOSTNIM VENTILOM

Pri prižiganju gorilnika je treba upoštevati naslednja navodila:

1. Pritisnite ustrezen gumb in ga obrnite v nasprotni smeri urinega kazalca (sl. 2.2) v položaj polnega plamena, označen s simbolom  (sl. 2.1); držite gumb, dokler se plamen ne prižge. V primeru izpada omrežja prižgite gorilnik z vžigalico ali vžigalnikom.
2. Po prižiganju plinskega gorilnika počakajte nekaj sekund, preden sprostite gumb (zakasnitev vklopa ventila).
3. Prilagodite plinski ventil v zeleni položaj.

Če plamen gorilnika iz kakršnega koli razloga ugasne, bo varnostni ventil samodejno ustavil pretok plina.

Če želite ponovno prižgati gorilnik, vrnite gumb v zaprt položaj »●«, počakajte najmanj 1 minuto in nato ponovite postopek prižiganja.

**Opomba:** Če vaša lokalna oskrba s plinom otežuje prižiganje gorilnika z gumbom, nastavljenim v položaj maksimum, gumb nastavite v položaj minimum in ponovite postopek.



## IZBIRA GORILNIKA

V bližini vsakega gumba na nadzorni plošči je diagram, ki označuje gorilnik, ki ga upravlja ta gumb.

Ustrezen gorilnik je treba izbrati glede na premer in uporabljeno količino.

Gorilnike in lonce je treba uporabljati v skladu z naslednjimi navodili:

### PREMERI LONCEV, KI SE LAHKO UPORABLJAJO NA GORILNIKIH

| GORILNIKI         | NAJMANJ | NAJVEČ       |
|-------------------|---------|--------------|
| Srednje hitri (*) | 16 cm   | 22 cm        |
| Hitri             | 22 cm   | 26 cm        |
| Trojni obroč      | 24 cm   | 28 cm        |
| Vok               | –       | Največ 36 cm |

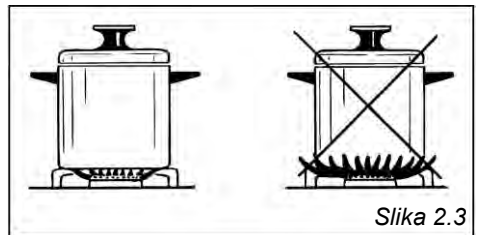
### ne uporabljajte loncev s konkavnim ali konveksnim dnom

(\*) z žarom za majhno posodo: najmanjši premer 6 cm (samo za modele, dobavljene z žarom za majhne lonce)

Pomembno je, da je premer lonca primeren za moč gorilnika, da ne ogroža visoke izhodne moči gorilnikov in s tem izgubljanja energije. Majhen lonec na velikem gorilniku ne zagotavlja krajšega časa do zavretja vsebine, saj je zmogljivost absorpcije toplote mase tekočine odvisna od prostornine in površine lonca.

**POZOR:** Prepričajte se, da so lonci na sredini gorilnika, da se zagotovi najboljša stabilnost in večja učinkovitost.

Prepričajte se, da lonci niso v stiku s krmilnimi gumbi, sicer lahko plamen pregreje gumbe in jih trajno poškoduje.



## POMOŽNA REŠETKA ZA MAJHNE LONCE (dodatek)

To rešetko je treba postaviti na vrh (manjšega) pomožnega gorilnika, ko uporabljate lonce majhnega premera, da se prepreči prevrnitev.

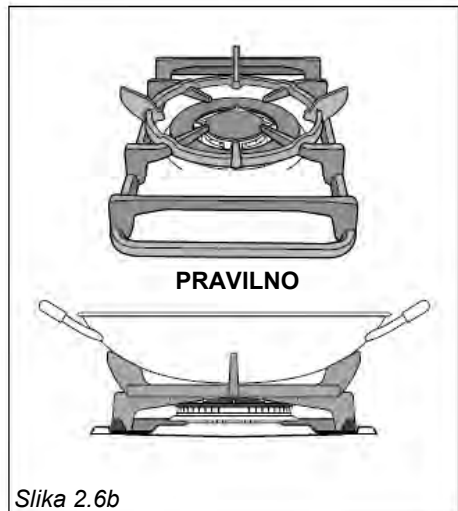
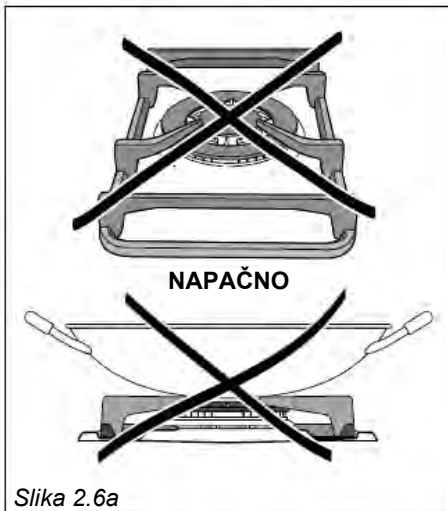


## PRAVILNA UPORABA GORILNIKA Z DVOJNIM OBRČEM – DODATEK (samo modeli z gorilnikom z dvojnimi obroči)

- Za uporabo VOKA morate namestiti ustrezno stojalo (če adapter za voka ni priložen k aparatu, je za doplačilo na voljo kot dodatna oprema), da se izognete nepravilnemu delovanju gorilnika z dvojnimi obroči (sl. 2.5a – 2.5b – 2.6a – 2.6b).
- Lonce z ravnim dnom je treba namestiti neposredno na podstavek za lonce.

### POMEMBNO:

- Posebno rešetko za voke (sl. 2.5b – 2.6b) **SE LAHKO NAMESTI SAMO** nad podstavek za lonce za gorilnik z dvojnimi obroči.



## SPLOŠEN NASVET

- **Pred začetkom čiščenja se morate prepričati, da je kuhalna plošča izklopljena.**
- Priporočljivo je, da aparat očistite, ko je hladen, predvsem ko čistite emajlirane dele.
- Vse emajlirane površine je treba umiti z gobico in milnico ali kakšnim drugim neabrazivnim izdelkom ter po možnosti posušiti z mehko krpo.
- Izogibajte se puščanju alkalnih ali kislih snovi (limonin sok, kis itd.) na površinah.
- **Ne uporabljajte čistilnih sredstev s klorom ali kislo osnovo.**
- **Pomembno: Med ravnanjem s tem aparatom in čiščenjem priporočamo uporabo ustreznih zaščitnih oblačil/rokavic.**
- **Zunanjih pokrovov z namenom servisiranja ali vzdrževanja pod nobenim pogojem ne smete odstraniti. To lahko stori le usposobljeno osebje.**
- Površine očistite z vlažno krpo in uporabite nežna, nevtralna čistilna sredstva. Posušite s čisto, suho krpo.
- **POMEMBNO:** Ne uporabljajte abrazivnih izdelkov (npr. nekaterih vrst gobic) in/ ali agresivnih izdelkov (npr. kavstične sode, izdelkov, ki vsebujejo jedke snovi), ki bi lahko povzročili nepopravljive poškodbe površine.

## OPOZORILO

Ko je izdelek pravilno nameščen, izpolnjuje vse varnostne zahteve, določene za tovrstno kategorijo izdelkov. Vendar, okoli spodnjega dela aparata je potrebna posebna previdnost, saj to območje ni zasnovano ali predvideno za dotikanje in lahko vsebuje ostre ali grobe robove, ki lahko povzročijo telesne poškodbe.

## EMAJLIRANI DELI

Vse emajlirane dele je treba očistiti samo z gobico in milnico ali drugimi neabrazivnimi izdelki. Po možnosti posušite z s krpo iz mikrovlaknen ali mehko krpo. Če kisle snovi, kot so limonin sok, konzerviran paradižnik, kis itd. dalj časa ostanejo na emajlu, ga bodo razjedle, zaradi česar postane moten.

## POVRŠINE IZ NERJAVEČEGA JEKLA

Dele iz nerjavečega jekla je treba sprati z vodo in posušiti z mehko in čisto krpo. Za trdovratno umazanijo uporabite posebne neabrazivne izdelke, ki so na voljo v prosti prodaji, ali malo toplega kisa.

**Pomembno: Proizvajalec zavrača vso odgovornost za morebitno škodo, ki bi jo povzročila uporaba neprimernih izdelkov za čiščenje aparata.**

**Pozor! Aparat se zelo segreje, predvsem okoli kuhališč. Zelo pomembno je, da otroci med kuhanjem niso sami v kuhinji.**

**Ne uporabljajte parnega čistilca, ker lahko v aparat vstopi vlaga, zaradi česar postane nevarna.**

## **POBARVANI DELI IN POVRŠINE S SITOTISKOM**

Očistite z ustreznim izdelkom. Vedno temeljito posušite.

**POMEMBNO:** te dele je treba očistiti zelo previdno, da preprečite praske in abrazijo. Priporočamo uporabo mehke krpe in nevtralnega mila.

**POZOR: Ne uporabljajte abrazivnih snovi ali ne-nevtralnih detergentov, ker lahko ti nepopravljivo poškodujejo površino.**

**Opomba: Dolgotrajna uporaba lahko povzroči spremembo glazirane površine okoli gorilnikov, ki je izpostavljena toploti.**

## **PLINSKE PIPE**

Preprečite stik čistilnih sredstev z ventili.

Pooblaščen osebje mora izvajati redno mazanje plinskih pip.

V primeru napak pri delovanju plinskih pip pokličite servisno službo.

## **GORILNIKI IN PODSTAVKI ZA LONCE**

Te dele je treba očistiti z gobico in milnico ali drugimi primernimi neabrazivnimi izdelki.

Posušite z mehko krpo.

**Opozorilo! Ni primerno za pomivanje v pomivalnem stroju.**

Po čiščenju je treba gorilnike in vodila plamena dobro posušiti in pravilno namestiti.

Zelo pomembno je preveriti, ali sta vodilo plamena na gorilniku in pokrovček pravilno nameščena. Če tega ne storite, se lahko pojavijo resne težave.

Preverite, ali je elektroda »S« (sl. 3.1, 3.3) poleg vsakega gorilnika vedno čista, da zagotovite neovirano iskrenje.

Preverite, ali je sonda »T« (sl. 3.1, 3.3) poleg vsakega gorilnika vedno čista, da zagotovite pravilno delovanje varnostnih ventilov.

**Tako sondo kot vžigalni vtič je treba očistiti zelo previdno.**

**Opomba: Za preprečitev poškodb električnega vžigalnika ga ne uporabljajte, ko gorilniki niso nameščeni.**

**Opomba: Dolgotrajna uporaba lahko povzroči spremembo glazirane površine okoli gorilnikov in rešetk, ki je izpostavljena toploti. To je naraven pojav in ne preprečuje pravilnega delovanja delov.**

## **PRAVILNA NAMESTITEV SREDNJE HITREGA IN HITREGA GORILNIKA**

Zelo pomembno je preveriti, ali sta razdelilnik plamena gorilnika »F« in pokrov »C« pravilno nameščena (glej sl. 3.1, 3.2) – če tega ne storite, se lahko pojavijo resne težave.

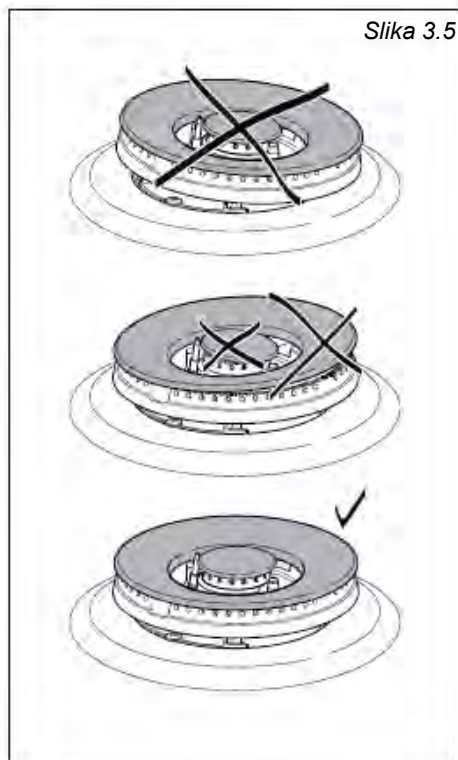
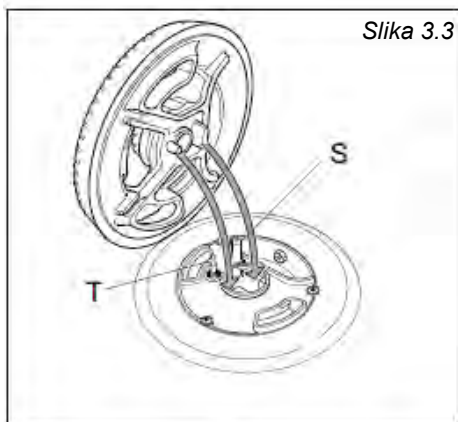
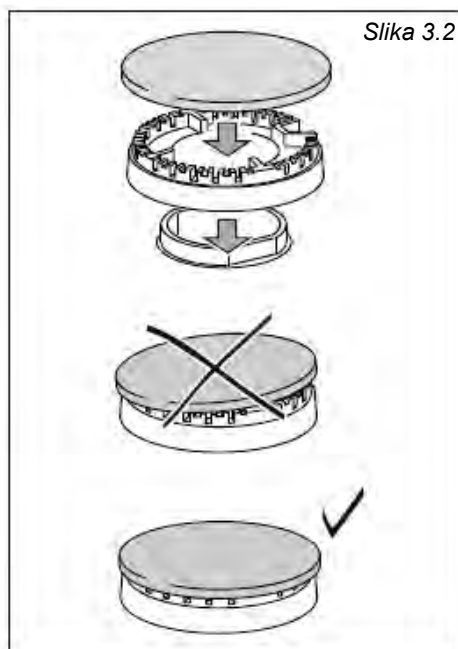
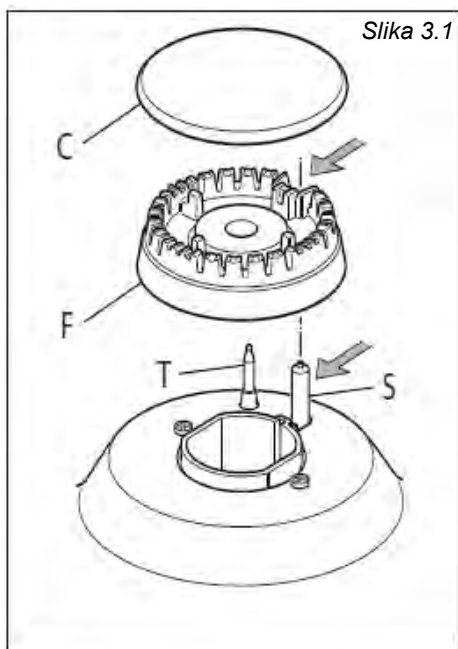
## **PRAVILNA NAMESTITEV DVOJNEGA OBROČA (samo pri nekaterih modelih)**

Gorilnik mora biti pravilno nameščen; v nasprotnem primeru se lahko pojavijo resne težave.

Namestite vodilo plamena na ohišje, kot prikazujejo puščice (glej slike 3.3, 3.4, 3.5).

Pravilno nameščen gorilnik se ne sme vrteti (sl. 3.5).





## **Gentile Cliente,**

*Grazie per aver acquistato e dato la preferenza al nostro prodotto.*

*Le precauzioni per la sicurezza e le raccomandazioni riportate di seguito sono per la propria sicurezza e per quella degli altri. Forniranno inoltre un mezzo attraverso il quale sfruttare appieno le funzionalità offerte dal tuo elettrodomestico.*

*Si prega di conservare questo libretto con cura. Potrebbe essere utile in futuro, sia a te che ad altri nel caso dovessero sorgere dubbi relativi al funzionamento di questo elettrodomestico.*

**Questo elettrodomestico deve essere utilizzato solo per la funzione per la quale è stato espressamente concepito, cioè per la cottura di alimenti. Ogni altra forma di utilizzo è da considerarsi impropria e quindi pericolosa.**

**Il produttore declina ogni responsabilità in caso di danni causati da un uso improprio, scorretto o illogico dell'apparecchio.**

### **DICHIARAZIONE DI CONFORMITÀ CE**

- Questo elettrodomestico è stato progettato per essere utilizzato solo per la cottura di alimenti. Ogni altro utilizzo (come il riscaldamento di un ambiente) è da considerarsi improprio e pericoloso.
- Questo apparecchio è stato progettato, costruito e messo in commercio nel rispetto di:
  - Requisiti di sicurezza del Regolamento sul gas (UE) 2016/426;
  - Requisiti di sicurezza della Direttiva sulla bassa tensione 2014/35/UE;
  - Requisiti di sicurezza della Direttiva “EMC” 2014/30/UE;
  - Requisiti della Direttiva UE 93/68/CEE;
  - Requisiti della Direttiva UE 2011/65/UE.



## PRECAUZIONI E RACCOMANDAZIONI IMPORTANTI PER LA SICUREZZA

**IMPORTANTE:** Questo apparecchio è progettato e fabbricato esclusivamente per la cottura di alimenti all'interno di ambienti domestici (uso domestico) e non è adatto per applicazioni non domestiche e pertanto non deve essere utilizzato in un ambiente commerciale.

La garanzia dell'apparecchio sarà annullata se l'elettrodomestico viene utilizzato all'interno di un ambiente non domestico, ad esempio un ambiente semi commerciale, commerciale o comunale.

**Leggere attentamente le istruzioni prima di installare e utilizzare l'apparecchio.**

- Questo apparecchio è stato progettato e costruito in conformità alle norme vigenti per i prodotti per la cottura in ambiente domestico e soddisfa tutti i requisiti di sicurezza indicati nel presente manuale, compresi quelli relativi alle temperature superficiali.  
Le persone con una pelle più sensibile possono avere una percezione della temperatura più pronunciata a contatto con alcuni componenti, sebbene queste parti rientrino nei limiti consentiti dalle norme.  
La completa sicurezza dell'apparecchio dipende anche dal corretto utilizzo; si consiglia pertanto di prestare sempre la massima attenzione durante l'uso del prodotto, soprattutto in presenza di bambini.
- Dopo aver disimballato l'apparecchio, controllare che non sia danneggiato.  
In caso di dubbio non utilizzarlo e consultare il proprio fornitore o un tecnico professionalmente qualificato.
- Gli elementi dell'imballaggio (ad es. buste di plastica, polistirolo espanso, chiodi, fascette di imballaggio, ecc.) devono essere tenuti fuori dalla portata dei bambini, in quanto potrebbero causare lesioni gravi.
- Alcuni apparecchi sono forniti con una pellicola protettiva sulle parti in acciaio e alluminio. **Questa pellicola deve essere rimossa prima di utilizzare l'apparecchio.**

- **IMPORTANTE:** Quando si maneggia o si pulisce questo apparecchio, si raccomanda l'uso di indumenti/guanti protettivi adeguati.
- Non tentare di modificare le caratteristiche tecniche dell'apparecchio in quanto ciò potrebbe comportare pericoli durante l'utilizzo. Il produttore declina ogni responsabilità per eventuali inconvenienti derivanti dall'inosservanza di questa condizione.
- **ATTENZIONE:** questo apparecchio deve essere installato solo in un locale permanentemente ventilato nel rispetto delle normative vigenti.
- Non azionare l'apparecchio mediante un timer esterno o un sistema di controllo remoto separato.
- Non effettuare operazioni di pulizia o manutenzione sull'apparecchio senza averlo preventivamente scollegato dall'alimentazione elettrica.
- Non utilizzare elettrodomestici per la pulizia a vapore perché l'umidità può penetrare nell'apparecchio rendendolo quindi pericoloso.
- Non coprire il piano cottura con carta stagnola.
- Non toccare l'elettrodomestico con mani o piedi umidi o bagnati.
- Indossare sempre scarpe, quando si utilizza l'apparecchio.
- Qualora si decida di non utilizzare più questo apparecchio (o si decida di sostituirlo con un altro modello), prima di smaltirlo, si raccomanda di metterlo fuori servizio in modo adeguato in conformità alle norme di tutela della salute e dell'ambiente, assicurandosi in particolare di rendere innocue tutte le parti potenzialmente pericolose, soprattutto nei confronti dei bambini che potrebbero giocare con apparecchi inutilizzati.
- L'apparecchio è caratterizzato da componenti riciclabili. Smaltirlo secondo le normative vigenti nel proprio paese. Se l'apparecchio deve essere rottamato, rimuovere il cavo di alimentazione.
- Dopo l'utilizzo, assicurarsi che le manopole/i comandi siano in posizione off.
- Tenere lontani i bambini di età inferiore a 8 anni se non sono sorvegliati continuamente.
- Questo elettrodomestico può essere utilizzato da bambini di almeno 8 anni, da persone con ridotte capacità fisiche, sensoriali o mentali e da persone inesperte solo sotto stretta sorveglianza o se hanno

appreso le modalità di utilizzo sicuro dell'elettrodomestico e sono consapevoli dei relativi pericoli. Impedire ai bambini di giocare con l'elettrodomestico. La pulizia e la manutenzione non devono essere effettuate da bambini non sorvegliati.

- Il produttore declina ogni responsabilità per danni a persone o cose causati da un uso non corretto o improprio dell'apparecchio.
- **AVVERTENZA:** Durante l'utilizzo l'apparecchio e le sue parti accessibili diventano calde e lo rimangono anche qualche tempo dopo l'uso.
  - Non toccare le resistenze sul piano cottura.
  - Per evitare ustioni e scottature, tenere lontani i bambini più piccoli.
- Assicurarsi che i cavi elettrici che collegano altri apparecchi in prossimità del piano cottura non entrino in contatto con il piano cottura.
- **AVVERTENZA:** la cottura con oli o grassi può essere pericolosa e può causare incendi se il piano cottura rimane incustodito. In caso di incendio, non provare MAI a estinguerlo con l'acqua; spegnere l'elettrodomestico e coprire la fiamma con un coperchio o una coperta antincendio.
- **AVVERTENZA:** per evitare il rischio di incendi, non collocare oggetti sulle superfici di cottura.
- **AVVERTENZA:** Se correttamente installato, questo elettrodomestico soddisfa tutti i requisiti di sicurezza previsti per questo tipo di categoria di prodotto. Tuttavia, è necessario prestare particolare attenzione alla parte inferiore dell'apparecchio, poiché quest'area non è progettata o destinata ad essere toccata e potrebbe avere bordi taglienti o ruvidi, che potrebbero causare lesioni.
- **ATTENZIONE:** Il processo di cottura deve essere controllato continuamente. Un processo di cottura breve deve essere sorvegliato costantemente.
- Per evitare l'insorgere di pericoli, se danneggiato, il cavo di alimentazione deve essere sostituito solo da un tecnico dell'assistenza autorizzato.
- Se l'elettrodomestico è sprovvisto del cavo di alimentazione e della spina o di altri mezzi di scollegamento dalla rete elettrica con separazione dei contatti in tutti i poli che consentano lo scollegamento totale in condizioni di sovratensione di categoria III,

i mezzi di scollegamento devono essere incorporati nel cablaggio fisso in conformità alle norme sui cablaggi.

- **AVVERTENZA:** l'elettrodomestico e i componenti accessibili diventano molto caldi durante l'uso.  
Non toccare le resistenze.  
Tenere lontani i bambini di età inferiore a 8 anni se non sono sorvegliati continuamente.
- **AVVERTENZA:** utilizzare solo le protezioni per il piano cottura progettate dal produttore dell'elettrodomestico da cucina o indicate dal produttore dell'elettrodomestico nelle istruzioni per l'uso come protezioni idonee o incorporate nell'elettrodomestico.  
L'uso di protezioni inadeguate può causare incidenti.

## **ETICHETTATURA ENERGETICA/ECODESIGN**

- Regolamento (UE) n. 66/2014 della Commissione (che attua la direttiva 2009/125/CE del Parlamento e del consiglio europeo).

Riferimento ai metodi di misurazione e calcolo utilizzati per stabilire la conformità ai requisiti di cui sopra:

- Norma EN30-2-1 (piani cottura: bruciatori a gas).

## **UTILIZZO DELL'APPARECCHIO, CONSIGLI PER IL RISPARMIO ENERGETICO**

### **PIANO COTTURA BRUCIATORI A GAS**

- E' importante che il diametro della pentola sia adeguato alla potenzialità del bruciatore per non compromettere l'elevato rendimento dei bruciatori e quindi favorire uno spreco di energia. Una piccola pentola su un bruciatore di grandi dimensioni non arriva al punto di ebollizione in un breve lasso di tempo poiché la capacità di assorbimento del calore di una massa liquida dipende dal volume e dalla superficie della pentola.
- È necessario evitare di tenere acceso un bruciatore senza che vi sia un oggetto poggiato sopra (senza pentola).

### **INFORMAZIONI IMPORTANTI PER IL CORRETTO SMALTIMENTO DEL PRODOTTO AI SENSI DELLA DIRETTIVA CE 2012/19/UE.**

Al termine della sua vita utile, il prodotto non deve essere smaltito come rifiuto urbano. Deve essere portato presso un apposito centro di raccolta differenziata comunale o presso un rivenditore che fornisce tale servizio.

Smaltire separatamente un elettrodomestico evita possibili conseguenze negative per l'ambiente e la salute derivanti da uno smaltimento inappropriato e consente di recuperare i materiali costituenti per ottenere un notevole risparmio di energia e risorse. Per ricordare la necessità di smaltire separatamente gli elettrodomestici, il prodotto è contrassegnato da un bidone della spazzatura su ruote barrato.



# Consigli per l'installatore

## IMPORTANTE:

- L'apparecchio è progettato e approvato esclusivamente per uso domestico e non deve essere installato in un ambiente commerciale, semicommerciale o comunale.  
**La garanzia verrà considerata invalida se il prodotto viene installato in uno degli ambienti di cui sopra; il mancato rispetto di questa condizione potrebbe influire su eventuali assicurazioni di responsabilità civile o di terze parti.**
- Questo apparecchio deve essere installato, regolato e adattato al funzionamento solo da una persona autorizzata in conformità con le normative locali vigenti e in osservanza delle istruzioni fornite dal produttore.  
Il mancato rispetto di questa condizione renderà nulla la garanzia.
- L'apparecchio deve essere installato in conformità alle normative vigenti nel proprio paese e nel rispetto delle istruzioni del produttore.
- Gli installatori devono attenersi alle leggi vigenti in materia di ventilazione ed evacuazione dei gas di scarico.
- Un'errata installazione, per la quale il produttore declina ogni responsabilità, può causare lesioni personali o danni.
- Questo apparecchio deve essere riparato solo da personale autorizzato.
- Scollegare sempre l'apparecchio dalla rete elettrica prima di eseguire qualsiasi operazione di manutenzione o riparazione.
- **Importante: Quando si maneggia o si pulisce questo apparecchio, si raccomanda l'uso di indumenti/guanti protettivi adeguati.**
- **Questi piani sono progettati per essere incassati nei mobili della cucina con una profondità di 600 mm e con un piano di lavoro da 30 a 40 mm di spessore.**
- L'apparecchio deve essere incassato in unità resistenti al calore.
- Le pareti delle unità non devono essere più alte del piano di lavoro e devono essere in grado di resistere a temperature maggiori di 105°C rispetto alla temperatura ambiente.
- **Si precisa che l'adesivo che lega il laminato plastico al mobile deve resistere a temperature non inferiori a 150°C per evitare la delaminazione.**
- **Non installare l'elettrodomestico vicino a materiali infiammabili (ad es. tende).**

## AVVERTENZA!

Se correttamente installato, questo elettrodomestico soddisfa tutti i requisiti di sicurezza previsti per questo tipo di categoria di prodotto. Tuttavia, è necessario prestare particolare attenzione alla parte inferiore dell'apparecchio, poiché quest'area non è progettata o destinata ad essere toccata e potrebbe avere bordi taglienti o ruvidi, che potrebbero causare lesioni.

# 1

## INSTALLAZIONE

### INFORMAZIONI TECNICHE PER L'INSTALLATORE

Per installare il piano cottura nel mobile della cucina è necessario un foro delle dimensioni indicate dalla fig. 1.1, tenendo presente quanto segue:

- È necessario prevedere uno spazio di ventilazione di 30 mm tra la parte inferiore dell'apparecchio e qualsiasi mobile, cassetteria o elettrodomestico.
- Se dopo l'installazione la base del piano cottura è accessibile attraverso un mobile o un cassetto, non è necessaria una barriera di protezione termica.
- Se il piano cottura viene installato sopra un forno, i due apparecchi devono essere collegati alla rete del gas e/o elettrica con allacciamenti indipendenti.
- Il piano cottura deve essere tenuto a non meno di 100 mm da qualsiasi parete laterale (dal bordo laterale del foro - fig. 1.1).
- Il piano di cottura deve essere installato ad almeno 50 mm dalla parete (dal bordo posteriore del foro - fig. 1.2).
- Tra il piano di cottura e l'eventuale pensile o cappa posizionata immediatamente sopra deve esserci una distanza di almeno 650 mm (vedi fig. 1.1).

**Non installare l'elettrodomestico vicino a materiali infiammabili (ad es. tende).**

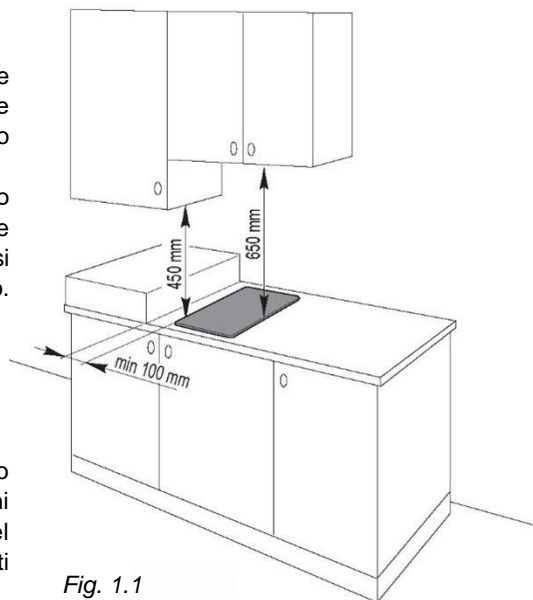


Fig. 1.1

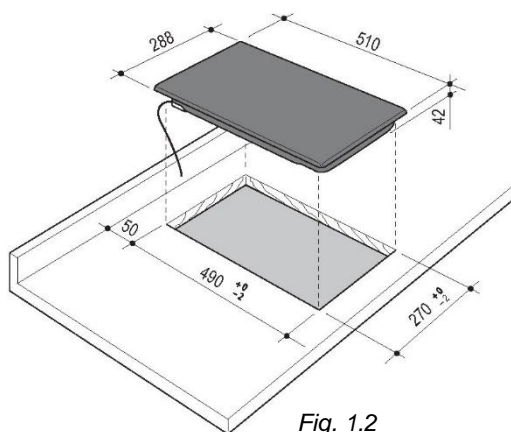


Fig. 1.2

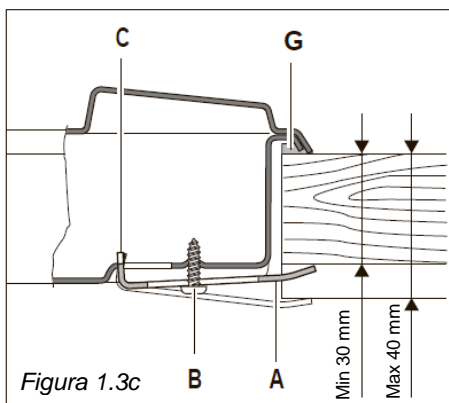
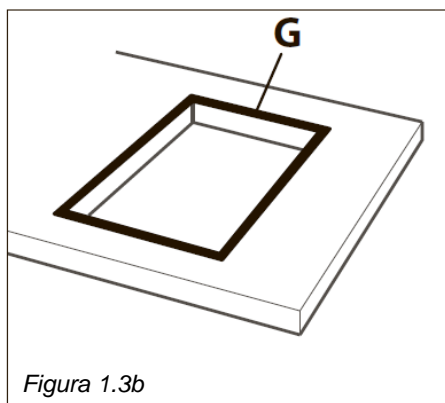
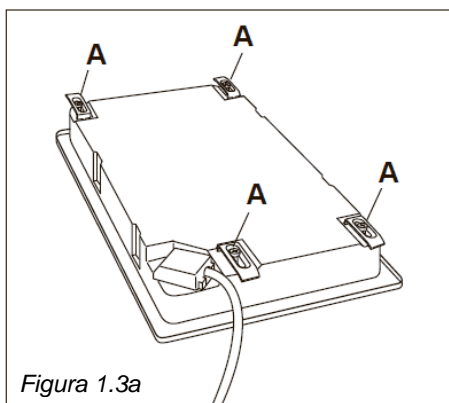


## FISSAGGIO PIANO COTTURA (fig. 1.3a, 1.3b, 1.3c)

Ogni piano cottura viene fornito con un kit di installazione comprensivo di staffe e viti per il fissaggio del piano cottura a banchi da 30 a 40 mm di spessore.

Il kit comprende 4 linguette "A" e 4 viti autofilettanti "B".

- Tagliare l'unità.
- Stendere la guarnizione "G" oltre il bordo del foro praticato, prestando attenzione a ricoprire i bordi di giunzione (fig. 1.3b).
- Capovolgere il piano cottura e inserire le linguette "A" (fig. 1.3a) negli attacchi, serrare le viti "B" solo di pochi giri. Assicurarsi che le linguette siano montate correttamente come mostrato nella figura 1.3c. Ruotare le linguette in modo che il piano di cottura possa essere inserito nel foro.
- Inserire il piano cottura nel foro praticato nell'unità e posizionarlo correttamente.
- Porre le linguette "A" in posizione; il dente "C" delle linguette dovrebbe entrare nel foro.
- Serrare le viti "B" fino al completo fissaggio del piano cottura.
- Con un utensile appuntito tagliare la parte di guarnizione "G" che sporge dal piano cottura. Prestare attenzione a non danneggiare il piano di lavoro.



## REQUISITI PER LA VENTILAZIONE

L'apparecchio deve essere installato in conformità alle normative locali vigenti in materia di ventilazione ed evacuazione dei gas di scarico.

L'uso intensivo e prolungato può richiedere una ventilazione supplementare, ad esempio l'apertura di una finestra, o una ventilazione più efficiente che aumenti la potenza di aspirazione meccanica, se presente.

## SCelta DI UN AMBIENTE ADATTO

L'ambiente in cui deve essere installato l'elettrodomestico a gas deve avere un flusso d'aria naturale in modo che il gas possa bruciare (nel rispetto delle normative locali vigenti).

Il flusso d'aria deve provenire direttamente da una o più aperture praticate nelle pareti esterne con una superficie libera di almeno 100 cm<sup>2</sup> (o fare riferimento alle normative locali vigenti).

Le aperture devono trovarsi in prossimità del pavimento e preferibilmente dalla parte opposta allo scarico dei prodotti della combustione e devono essere realizzate in modo che non possano essere ostruite né dall'interno né dall'esterno.

Quando queste aperture non possono essere realizzate, l'aria necessaria può provenire da un locale attiguo opportunamente ventilato, purché non sia una camera da letto o una zona pericolosa (nel rispetto delle normative locali vigenti).

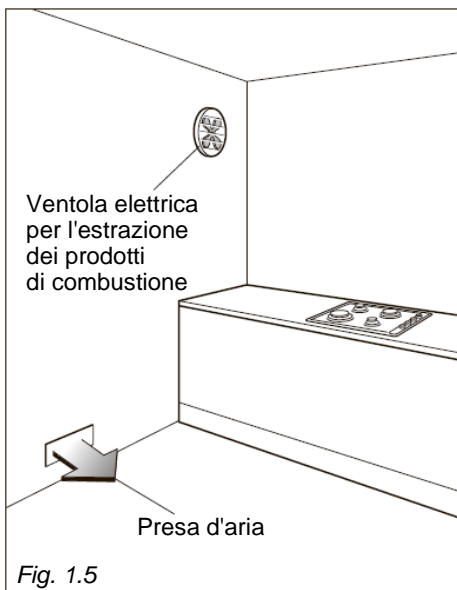
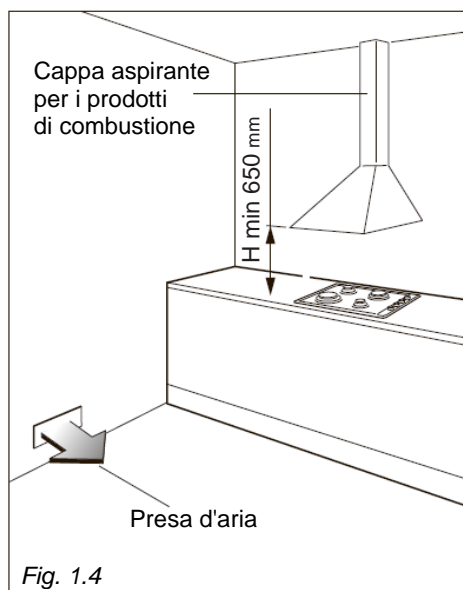
In questo caso la porta della cucina deve permettere il passaggio dell'aria.

## SCARICO DEI PRODOTTI DI COMBUSTIONE

Per consentire lo scarico dei prodotti della combustione dell'elettrodomestico a gas, devono essere previste cappe aspiranti collegate direttamente all'esterno (fig. 1.4).

Se ciò non è possibile, si può utilizzare una ventola elettrica fissata alla parete esterna o alla finestra; la ventola deve avere una capacità di circolazione dell'aria ad una velocità oraria pari a 3-5 volte il volume totale della cucina (fig. 1.5).

La ventola può essere installata solo se l'ambiente è dotato di idonee prese d'aria, come descritto al paragrafo "Scelta dell'ambiente adatto".



**REQUISITI PER L'INSTALLAZIONE DEL GAS****Importante!**

- L'installazione e la riparazione dell'apparecchio devono essere effettuati solo da un installatore adeguatamente qualificato e registrato. L'installatore dovrà fare riferimento alle norme locali in vigore.
- La mancata corretta installazione dell'apparecchio può invalidare qualsiasi garanzia del produttore.
- Prima dell'installazione, accertarsi che le condizioni della rete di distribuzione locale (tipo di gas e pressione) e la regolazione di questo apparecchio siano compatibili. Le condizioni di regolazione dell'apparecchio sono riportate sulla targhetta o sull'etichetta.
- Se la pressione del gas (per la quale l'apparecchio deve essere utilizzato) è variabile o se non rientra nei valori indicati nella targhetta, è obbligatorio installare un apposito regolatore di pressione del gas che deve essere adattato per garantire la corretta pressione di esercizio all'apparecchio (come da targhetta). Il regolatore deve essere installato, regolato e testato da un tecnico qualificato.
- **AVVERTENZA:** L'utilizzo dell'apparecchio con una pressione del gas errata e/o variabile può essere estremamente pericoloso e può causare gravi lesioni all'utente. Se non si osserva questa condizione, potrebbero verificarsi danni all'apparecchio.  
**Il produttore declina ogni responsabilità per eventuali inconvenienti derivanti dall'inosservanza di questa condizione.**

Questo apparecchio è fornito per essere utilizzato con il gas naturale o il GPL (controllare l'etichetta di regolazione del gas applicata sull'apparecchio).

- Apparecchi forniti per l'utilizzo con il gas naturale: vengono regolati solo per questo tipo di gas e non possono essere utilizzati con nessun altro gas (GPL) senza modifiche. Gli apparecchi vengono prodotti per la trasformazione a GPL.
- Apparecchi forniti per l'utilizzo con il GPL: vengono regolati solo per questo tipo di gas e non possono essere utilizzati con nessun altro gas (gas naturale) senza modifiche. Gli apparecchi vengono prodotti per la trasformazione a gas naturale.

Se il kit di trasformazione a gas naturale/GPL non viene fornito con l'apparecchio, è possibile acquistarlo contattando l'assistenza post-vendita.

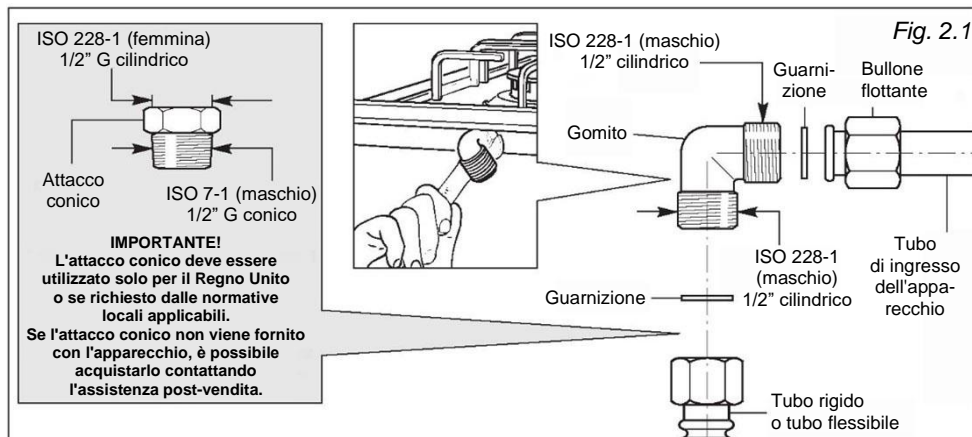
## COLLEGAMENTO DEL PIANO COTTURA ALL'ALIMENTAZIONE DEL GAS

L'attacco per il collegamento del gas (fig. 2.1) è composto da:

- il bullone flottante;
- il gomito;
- le guarnizioni;
- l'attacco conico - da utilizzare solo per il Regno Unito o se richiesto dalle normative locali applicabili. In questo caso, prima di collegare l'apparecchio alla rete del gas, montare l'attacco conico sul gomito interponendo la guarnizione. Se l'attacco conico non viene fornito con l'apparecchio, è possibile acquistarlo contattando l'assistenza post-vendita.

**Il collegamento del gas deve essere effettuato da una persona autorizzata secondo le norme locali pertinenti.**

- Se si utilizza un tubo flessibile, assicurarsi che non entri in contatto con parti in movimento.
- La parte posteriore del telaio è incassata per fornire un canale per il tubo di ingresso dell'apparecchio.
- L'attacco per il collegamento del gas può essere ruotato nella direzione desiderata (ma mai in posizione verticale o orizzontale) dopo aver allentato il gomito e il raccordo del bullone flottante.
- Non tentare mai di ruotare il gomito senza aver prima allentato il bullone flottante.
- Le guarnizioni in dotazione garantiscono una buona tenuta per l'allacciamento del gas. Si consiglia di sostituire le guarnizioni al minimo segno di usura, deformazione o imperfezione.
- Dopo l'allacciamento alla rete del gas, verificare la corretta tenuta dei giunti, utilizzando una soluzione saponosa, ma mai una fiamma libera.



## ULTERIORI REQUISITI PER IL COLLEGAMENTO DEL GAS

Quando si collega il piano cottura all'alimentazione del gas con tubi rigidi o un tubo flessibile, assicurarsi quanto segue:

- devono essere utilizzati tubi rigidi o un tubo flessibile conformi alle normative locali applicabili. Il tubo flessibile deve essere della giusta struttura per il tipo di gas utilizzato e della dimensione corretta per mantenere la potenza termica dell'apparecchio.
- Il collegamento con tubi metallici rigidi non provoca sollecitazioni o pressioni alla tubazione del gas.
- Il tubo flessibile non deve essere in tensione, intrecciato, attorcigliato o eccessivamente piegato, né durante l'uso del piano cottura né durante il collegamento o lo scollegamento.
- Il tubo flessibile non deve essere più lungo di 2000 mm (o fare riferimento alle normative locali applicabili) e non deve entrare a contatto con spigoli vivi, angoli o parti in movimento, in quanto potrebbero causare abrasioni. Utilizzare un solo tubo flessibile; non collegare mai il piano cottura con più di un tubo flessibile.
- Il tubo flessibile può essere facilmente controllato in tutta la sua lunghezza per verificarne lo stato; se ha una data di scadenza, dovrebbe essere sostituito prima di tale data.
- Se si utilizza un tubo flessibile non interamente in metallo, assicurarsi che non venga a contatto con una parte del piano cottura la cui temperatura della superficie sia pari o superiori i 70°C (o fare riferimento alle normative locali applicabili).
- Il tubo rigido o flessibile va sostituito se presenta segni di danneggiamento.
- Il tubo flessibile non è soggetto a calore eccessivo per esposizione diretta ai prodotti della canna fumaria o per contatto con superfici calde.
- La presa in cui si inserisce la spina del tubo flessibile è collegata in modo permanente a un tubo di installazione del gas saldamente fissato ed è posizionata in modo che il tubo penda liberamente verso il basso.
- La spina del tubo flessibile è accessibile dopo l'installazione, in modo che possa essere scollegata per la manutenzione o la rimozione.
- È necessario informare il cliente che il tubo rigido o il tubo flessibile non devono essere soggetti a corrosione mediante l'utilizzo di detersivi.

# MANUTENZIONE DEL GAS

Per la categoria del gas verificare l'etichetta dati sull'apparecchio

| TABELLA PER LA SCELTA DEGLI INIETTORI                    |                             |                            |                                 |                              |
|--|-----------------------------|----------------------------|---------------------------------|------------------------------|
| <b>Cat: II 2H 3+</b><br><b>(Paesi IT-ES-PT-GB-SI-CZ)</b> |                             |                            | <b>G30/G31</b><br>28-30/37 mbar | <b>G20</b><br>20 mbar        |
| <b>Cat: II 2E+3+</b><br><b>(Paesi FR)</b>                |                             |                            | <b>G30/G31</b><br>28-30/37 mbar | <b>G20/G25</b><br>20/25 mbar |
| <b>Cat: II 2H3B/P</b><br><b>(Paesi HR-RO-SI-CZ)</b>      |                             |                            | <b>G30/G31</b><br>30/30 mbar    | <b>G20</b><br>20 mbar        |
| BRUCIATORI   | Potenza<br>nominale<br>[kW] | Potenza<br>Ridotta<br>[kW] | Ø iniettore<br>[1/100 mm]       | Ø iniettore<br>[1/100 mm]    |
| Semi-rapidi (SR)   | 1,75                        | 0,45                       | 66                              | 101                          |
| Rapidi (R)   | 3,00                        | 0,75                       | 87                              | 129                          |
| A doppia corona (DR)                                     | 3,80                        | 1,50                       | 98                              | 141                          |

| PRESA D'ARIA NECESSARIA PER LA COMBUSTIONE DEL GAS = (2 m <sup>3</sup> /h x kW) |  |
|---|--|
| BRUCIATORI  | Aria necessaria alla combustione [m <sup>3</sup> /h] |
| Semi-rapidi (SR)  | 3,50   |
| Rapidi (R)  | 6,00   |
| A doppia corona (DR)  | 7,60   |

## LUBRIFICAZIONE DEI RUBINETTI DEL GAS

In caso di difficoltà nell'azionamento dei rubinetti del gas, rivolgersi al servizio di assistenza.

## IMPORTANTE

Tutti gli interventi riguardanti l'installazione, la manutenzione e la trasformazione dell'apparecchio devono essere eseguiti con parti originali di fabbrica.

Il produttore declina ogni responsabilità derivante dal mancato rispetto di tale obbligo.

## SOSTITUZIONE DEGLI INIETTORI

Selezionare gli iniettori da sostituire secondo la "Tabella per la scelta degli iniettori".

I diametri degli ugelli, espressi in centesimi di millimetro, sono indicati sul corpo di ciascun iniettore.

**Se non vengono forniti, gli iniettori possono essere richiesti al "Centro Assistenza".**

## SOSTITUZIONE DEGLI INIETTORI DEI BRUCIATORI DEL PIANO COTTURA

Per sostituire gli iniettori procedere come segue:

- Rimuovere il supporto per pentole e i bruciatori dal piano cottura.
- Mediante una chiave, sostituire gli iniettori dell'ugello "J" (fig. 2.2, 2.3) con modelli più idonei al tipo di gas che si intende utilizzare.

**I bruciatori sono concepiti in modo tale da non richiedere la regolazione dell'aria primaria.**

## REGOLAZIONE DEL MINIMO DEI BRUCIATORI SUPERIORI

Nella posizione minima la fiamma deve avere una lunghezza di circa 4 mm e deve rimanere accesa anche con un rapido passaggio dalla posizione massima a quella minima.

La regolazione della fiamma avviene nel seguente modo:

- Accendere il bruciatore.
- Ruotare il rubinetto sulla posizione MINIMA.
- Rimuovere la manopola.
- Con un piccolo cacciavite piatto ruotare la vite "A" fino alla corretta regolazione (fig. 2.4).

**Normalmente per G30/G31 (GPL) la vite di regolazione è serrata.**

Bruciatori semi-rapidi e rapidi

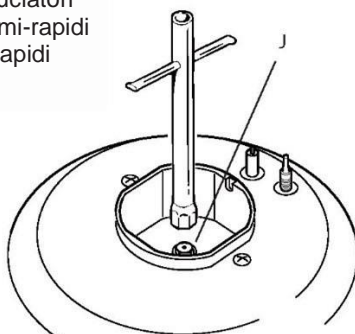


Fig. 2.2

Bruciatore a doppia corona

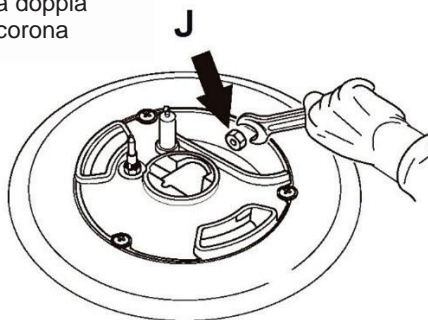


Fig. 2.3

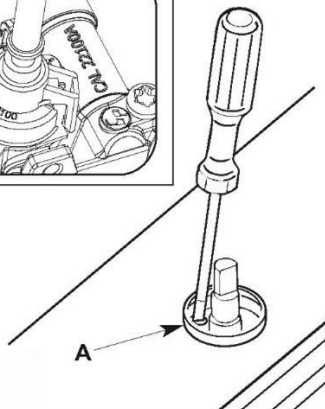
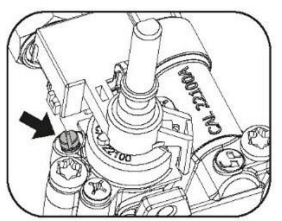


Fig. 2.4

**IMPORTANTE:** L'apparecchio deve essere installato da un tecnico qualificato secondo le normative locali vigenti e nel rispetto delle istruzioni del produttore.

Un'errata installazione potrebbe causare danni a persone, animali o cose, per i quali il produttore declina ogni responsabilità.

Il collegamento a un buon impianto di messa a terra è di fondamentale importanza. Il produttore declina ogni responsabilità per eventuali inconvenienti causati dal mancato rispetto di questo obbligo.

Prima di eseguire qualsiasi intervento sulla sezione elettrica dell'apparecchio, è necessario scollegarlo dalla rete elettrica.

### INFORMAZIONI GENERALI

- Il collegamento alla rete elettrica deve essere effettuato da un tecnico qualificato e secondo le norme di sicurezza appropriate.
- L'apparecchio deve essere collegato alla rete controllando che la tensione corrisponda a quella specificata sulla targhetta e che le sezioni dei cavi elettrici siano in grado di sopportare il carico indicato sulla targhetta.
- Se il piano viene fornito sprovvisto di spina, montare una spina standard idonea alla potenza assorbita dall'apparecchio e conforme alle norme locali vigenti.
- I colori dei fili del cavo di alimentazione dell'apparecchio potrebbero non corrispondere ai colori contrassegnati sui morsetti della spina elettrica. La spina deve essere sempre cablata come segue:
  - collegare il filo verde/giallo al morsetto contrassegnato dalla lettera "E" o dal simbolo di terra " $\perp$ " o dal colore verde/giallo;
  - collegare il filo blu al morsetto contrassegnato dalla lettera "N" o dal colore nero;
  - collegare il filo marrone al morsetto contrassegnato dalla lettera "L" o dal colore rosso.
- La spina deve essere collegata ad una presa connessa all'unità di messa a terra in conformità alle norme di sicurezza.
- Se l'apparecchio deve essere collegato direttamente alla rete, deve essere dotato di un interruttore onnipolare con apertura minima tra i contatti di 3 mm tra l'apparecchio e la rete.
- Il cavo di alimentazione non deve entrare a contatto con parti calde e deve essere posizionato in modo che non superi di 50°C la temperatura ambiente.
- Una volta installato l'apparecchio, l'interruttore di alimentazione o la spina di alimentazione devono trovarsi sempre in posizione accessibile.
- Se risulta danneggiato, il cavo di alimentazione deve essere sostituito con un cavo idoneo disponibile presso il servizio post-vendita.
- L'apparecchio deve disporre di un'alimentazione propria; eventuali altri apparecchi installati nelle vicinanze devono avere un'alimentazione separata.
- **N.B. Per il collegamento alla rete non utilizzare adattatori, riduttori o dispositivi di derivazione, in quanto possono causare surriscaldamenti e incendi.**
- **Se la superficie del piano cottura presenta crepe, scollegare l'apparecchio dalla rete elettrica e contattare il servizio post-vendita.**

Nel caso in cui l'installazione richieda modifiche all'impianto elettrico di alimentazione, si consiglia di far intervenire un tecnico qualificato per la sostituzione.

Il tecnico dovrà inoltre verificare che la sezione dei cavi elettrici sulla presa di corrente corrisponda alla potenza dell'apparecchio.



## SOSTITUZIONE DEL CAVO DI ALIMENTAZIONE

**AVVERTENZA:** Per evitare l'insorgere di pericoli, se danneggiato, il cavo di alimentazione deve essere sostituito solo da un tecnico dell'assistenza autorizzato.

Utilizzare lo stesso tipo di cavo di alimentazione.

Questo cavo deve essere collegato alla morsetteria seguendo lo schema riportato nella fig. 3.1.

**NOTA:** Il conduttore di terra deve essere circa 3 cm più lungo degli altri.

Le operazioni devono essere eseguite da un tecnico qualificato.

## SEZIONE DEL CAVO DI ALIMENTAZIONE

TIPO "H05V2V2-F"

(resistente a temperature di 90°C)

220-240 V 50-60 HZ 3 x 0,75 mm<sup>2</sup> (\*) (\*\*)

(\*) Collegamento possibile con spina e presa

(\*\*) Collegamento con cassetta a muro.

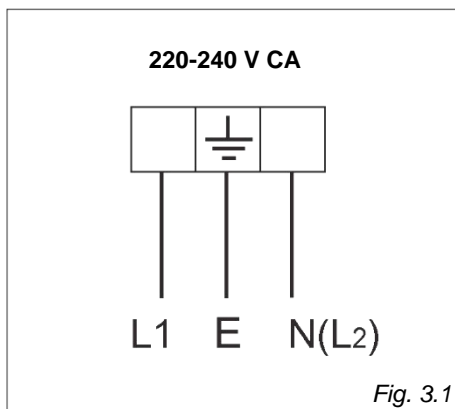


Fig. 3.1



# Consigli per gli utenti

# 1

## FUNZIONI

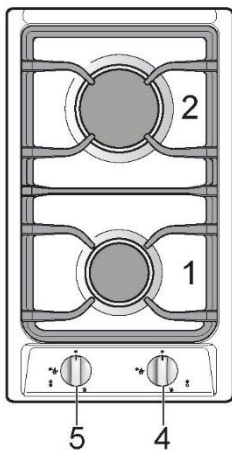


Figura 1.1a

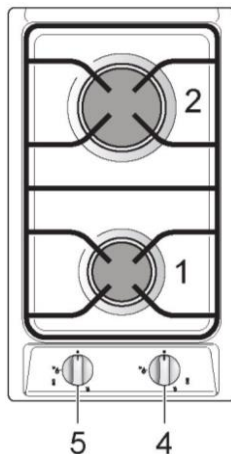


Figura 1.1b

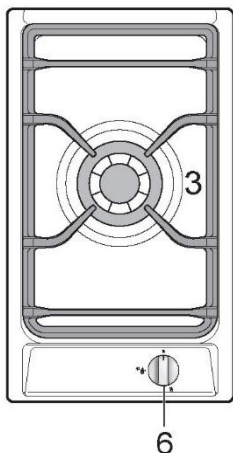


Figura 1.2a

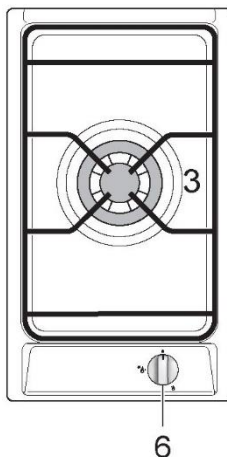


Figura 1.2b

**Attenzione!**  
Non coprire il piano cottura con carta stagnola.

**NOTA:**  
Le manopole e i simboli possono variare.

## **PUNTI DI COTTURA**

- |                                    |         |
|------------------------------------|---------|
| 1. Bruciatore semi-rapido (SR)     | 1,75 kW |
| 2. Bruciatore rapido (R)           | 3,00 kW |
| 3. Bruciatore a doppia corona (DC) | 3,80 kW |

## **DESCRIZIONE DEL PANNELLO DEI COMANDI**

4. Manopola comando bruciatore rapido (2)
5. Manopola comando bruciatore semi-rapido (1)
6. Manopola comando bruciatore a doppia corona (3)

## **NOTA:**

- L'accensione elettronica è incorporata nelle manopole.
- L'apparecchio è dotato di un sistema di valvole di sicurezza; il flusso di gas verrà interrotto se e quando la fiamma dovesse spegnersi accidentalmente.

## **ATTENZIONE:**

In caso di spegnimento accidentale del bruciatore, chiudere il gas agendo sulla manopola di comando e attendere almeno 1 minuto prima di tentare di riaccendere.

## **ATTENZIONE:**

I piani cottura a gas producono calore e umidità nell'ambiente in cui sono installati. Garantire una buona aerazione della zona cottura aprendo le griglie di ventilazione naturale o installando una cappa aspirante collegata a un condotto di scarico.




## **ATTENZIONE:**

Se il piano viene utilizzato per un tempo prolungato, può essere necessario fornire ulteriore ventilazione aprendo una finestra o aumentando la potenza di aspirazione della cappa aspirante (se presente).

## BRUCIATORI A GAS

La regolazione del flusso di gas ai bruciatori avviene agendo sulle manopole (mostrate in fig. 2.1) che controllano le valvole di sicurezza.

Ruotando la manopola in modo che l'indicatore sia rivolto verso i simboli stampati sul pannello, si ottengono le seguenti funzioni:

- Simbolo  valvola chiusa
- Simbolo  apertura o flusso massimi
- Simbolo  apertura o flusso minimi

- La posizione di apertura massima consente una rapida ebollizione dei liquidi, mentre la posizione di apertura minima permette un riscaldamento più lento degli alimenti o il mantenimento delle condizioni di ebollizione dei liquidi.
- Per ridurre al minimo la portata del gas, ruotare ulteriormente la manopola in senso antiorario fino a puntare l'indicatore verso il simbolo della fiammella.
- Altre regolazioni operative intermedie possono essere ottenute posizionando l'indicatore tra le posizioni di apertura massima e minima e mai tra le posizioni di apertura e chiusura massima.

### Attenzione!

**Il piano cottura diventa molto caldo durante il funzionamento. Tenere fuori dalla portata dei bambini.**

**NOTA: La manopola e i simboli possono variare.**

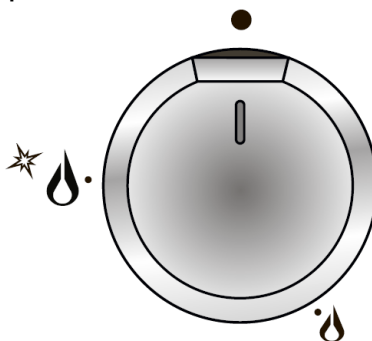


Fig. 2.1


### Attenzione!

**Non coprire il piano cottura con carta stagnola.**

**N.B. Quando il piano cottura non viene utilizzato, posizionare le manopole del gas in posizione di chiusura e chiudere anche il rubinetto della bombola del gas o la linea principale di alimentazione del gas.**

## ACCENSIONE BRUCIATORI A GAS DOTATI DI VALVOLA DI SICUREZZA

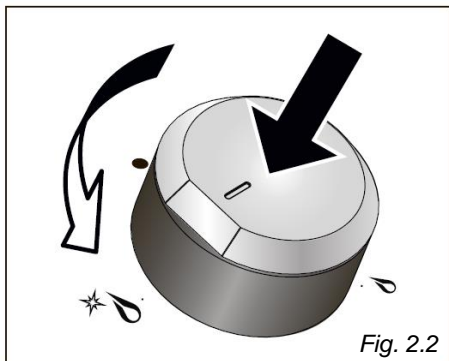
Per accendere il bruciatore, occorre seguire le seguenti istruzioni:

1. Premere la manopola corrispondente e ruotare in senso antiorario (fig. 2.2) fino alla posizione di massima fiamma contrassegnata dal simbolo  (fig. 2.1); tenere premuta la manopola fino a quando la fiamma non si è accesa. In caso di mancanza di corrente accendere il bruciatore con un fiammifero o una candela.
2. Attendere alcuni secondi dall'accensione del bruciatore a gas prima di rilasciare la manopola (ritardo attivazione valvola).
3. Regolare la valvola del gas nella posizione desiderata.

Se per qualche motivo la fiamma del bruciatore dovesse spegnersi, la valvola di sicurezza interromperà automaticamente il flusso del gas.

Per riaccendere il bruciatore, riportare la manopola nella posizione di chiusura "●", **attendere almeno 1 minuto** e quindi ripetere la procedura di accensione.

**Nota:** Se l'alimentazione locale del gas rende difficoltosa l'accensione del bruciatore con la manopola al massimo, posizionare la manopola al minimo e ripetere l'operazione.



## SCELTA DEL BRUCIATORE

Sul pannello dei comandi, vicino ad ogni manopola è presente uno schema che indica quale bruciatore è comandato da quale manopola.

Il bruciatore adatto deve essere scelto in base al diametro e alla potenza utilizzata. I bruciatori e le pentole devono essere utilizzati secondo le seguenti istruzioni:

### DIAMETRI DELLE PENTOLE CDA UTILIZZARE SUI BRUCIATORI

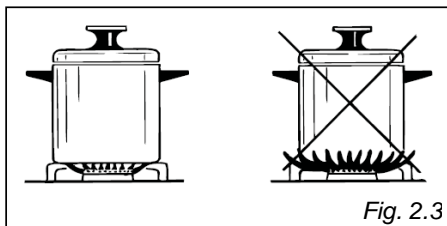
| BRUCIATORI      | MINIMO | MASSIMO   |
|-----------------|--------|-----------|
| Semi-rapidi (*) | 16 cm  | 22 cm     |
| Rapidi          | 22 cm  | 26 cm     |
| A tripla corona | 24 cm  | 28 cm     |
| Wok             | -      | Max 36 cm |

**non utilizzare pentole con fondo concavo o convesso**

(\*) con griglia per utensili da cucina piccoli: diametro minimo 6 cm (solo per i modelli dotati di griglia per pentole piccole)

E' importante che il diametro della pentola sia adeguato alla potenzialità del bruciatore per non compromettere l'elevato rendimento dei bruciatori e quindi favorire uno spreco di energia. Una piccola pentola su un bruciatore di grandi dimensioni non arriva al punto di ebollizione in un breve lasso di tempo poiché la capacità di assorbimento del calore di una massa liquida dipende dal volume e dalla superficie della pentola.

**ATTENZIONE:** Per una massima stabilità e una maggiore efficienza, assicurarsi che le pentole siano centrali rispetto al bruciatore. Assicurarsi che le pentole non si trovino a contatto con le manopole di comando, altrimenti la fiamma potrebbe surriscaldare le manopole e danneggiarle in modo permanente.



## GRIGLIA AUSILIARIA PER PADELLE PICCOLE (opzionale)

Questa griglia va posizionata sopra il bruciatore ausiliario (più piccolo) quando si utilizzano pentole di piccolo diametro, per evitare che queste si ribaltino.



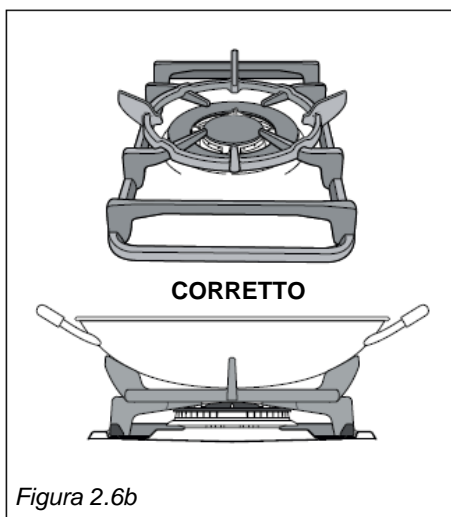
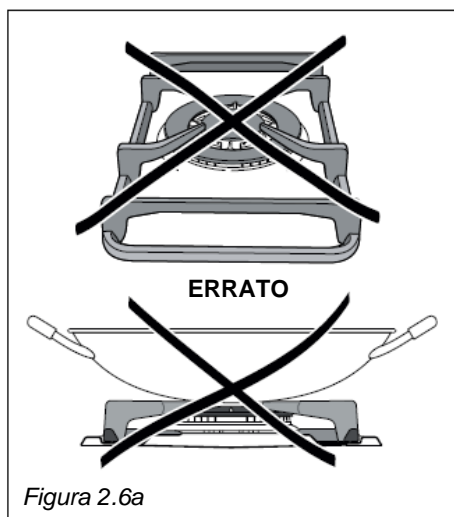
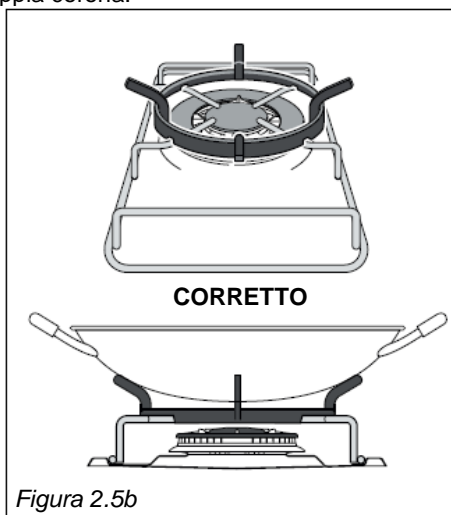
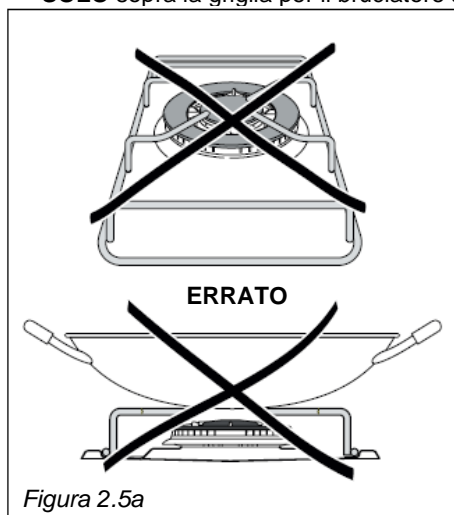
Fig. 2.4

## CORRETTO UTILIZZO DEL BRUCIATORE A DOPPIA CORONA - OPZIONALE (solo modelli con bruciatore a doppia corona)

- Per utilizzare il WOK è necessario posizionare l'apposito supporto (se l'adattatore per padella wok non è fornito con l'apparecchio, è disponibile come accessorio con sovrapprezzo), in modo da evitare malfunzionamenti del bruciatore a doppia corona (fig. 2.5a - 2.5b - 2.6a - 2.6b).
- Le pentole a fondo piatto vanno posizionate direttamente sulla griglia.

### IMPORTANTE:

- La speciale griglia per pentole wok (fig. 2.5b - 2.6b) **DEVE ESSERE POSIZIONATA SOLO** sopra la griglia per il bruciatore a doppia corona.





### CONSIGLI GENERICI

- **Prima di iniziare la pulizia, è necessario assicurarsi che il piano cottura sia spento.**
- Si consiglia di effettuare la pulizia quando l'apparecchio è freddo e soprattutto durante la pulizia delle parti smaltate.
- Tutte le superfici smaltate vanno lavate con acqua saponata o un altro prodotto non abrasivo con una spugna e vanno asciugate preferibilmente con un panno morbido.
- Evitare di lasciare sulle superfici sostanze alcaline o acide (succo di limone, aceto ecc.).
- **Non utilizzare prodotti per la pulizia a base di cloro o acidi.**
- **Importante: Quando si maneggia o si pulisce questo apparecchio, si raccomanda l'uso di indumenti/guanti protettivi adeguati.**
- **In nessun caso le coperture esterne devono essere rimosse per l'assistenza o la manutenzione se non da personale qualificato.**
- Pulire le superfici con un panno umido e utilizzare prodotti per la pulizia delicati e neutri. Asciugare con un panno pulito e asciutto.
- **IMPORTANTE:** Non utilizzare prodotti abrasivi (es. alcuni tipi di spugna) e/o aggressivi (es. soda caustica, prodotti contenenti sostanze corrosive) che potrebbero danneggiare irreparabilmente la superficie.

### AVVERTENZA

**Se correttamente installato, questo elettrodomestico soddisfa tutti i requisiti di sicurezza previsti per questo tipo di categoria di prodotto. Tuttavia, è necessario prestare particolare attenzione alla parte inferiore dell'apparecchio, poiché quest'area non è progettata o destinata ad essere toccata e potrebbe avere bordi taglienti o ruvidi, che potrebbero causare lesioni.**

### PARTI SMALTATE

Tutte le parti smaltate devono essere pulite con una spugna e utilizzando solo acqua saponata o altri prodotti non abrasivi.

Asciugare preferibilmente con un panno in microfibra o morbido.

Sostanze acide come succo di limone, conserva di pomodoro, aceto ecc. se lasciate a lungo sullo smalto, rischiano di intaccare le superfici rendendole opache.

### SUPERFICI IN ACCIAIO INOX

Le parti in acciaio inox devono essere risciacquate con acqua e asciugate con un panno morbido e pulito.

Per lo sporco persistente utilizzare prodotti specifici non abrasivi reperibili in commercio o dell'aceto caldo.

**Importante: Il produttore declina ogni responsabilità per eventuali danni causati dall'utilizzo di prodotti non idonei per la pulizia dell'apparecchio.**

**Attenzione! L'apparecchio diventa molto caldo, soprattutto attorno alle zone di cottura. È molto importante che i bambini non vengano lasciati soli quando si cucina.**

**Non utilizzare elettrodomestici per la pulizia a vapore perché l'umidità può penetrare nell'apparecchio rendendolo quindi pericoloso.**

## **PARTI VERNICIATE E SUPERFICI SERIGRAFIATE**

Effettuare la pulizia utilizzando un prodotto appropriato. Asciugare sempre accuratamente.

**IMPORTANTE:** queste parti devono essere pulite molto accuratamente per evitare graffi e abrasioni. Si consiglia di utilizzare un panno morbido e sapone neutro.

**ATTENZIONE:** Non utilizzare sostanze abrasive o detersivi non neutri in quanto danneggerebbero irreparabilmente la superficie.

**Nota:** L'uso continuato può causare un cambiamento dello smalto attorno ai bruciatori, in corrispondenza delle zone esposte al calore.

## **RUBINETTI DEL GAS**

Evitare che i prodotti per la pulizia entrino in contatto con le valvole.

La lubrificazione periodica dei rubinetti del gas deve essere effettuata solo da personale specializzato.

In caso di malfunzionamento dei rubinetti del gas, chiamare il Servizio di assistenza.

## **BRUCIATORI E SUPPORTI PER PENTOLE**

Queste parti devono essere pulite utilizzando una spugna e acqua saponata o altri prodotti idonei non abrasivi. Asciugare con un panno morbido.

**Avvertenza! Non lavabili in lavastoviglie.**

Dopo la pulizia, i bruciatori ed i relativi spartifiamma devono essere accuratamente asciugati e riposizionati in modo corretto.

È molto importante controllare che lo spartifiamma del bruciatore e la calotta siano posizionati correttamente. Il mancato rispetto di questa condizione può causare problemi gravi.

Per una corretta accensione, verificare che l'elettrodo "S" (fig. 3.1, 3.3) in prossimità di ogni bruciatore sia sempre pulito.

Per garantire il corretto funzionamento delle valvole di sicurezza, verificare che le sonde "T" (fig. 3.1, 3.3) in prossimità di ogni bruciatore siano sempre pulite.

**Sia la sonda che la candele di accensione devono essere pulite con estrema cura.**

**Nota:** Per evitare danni, non utilizzare l'accensione elettronica quando i bruciatori non sono in posizione.

**Nota:** L'uso continuato può causare un cambiamento dello smalto attorno ai bruciatori e alle griglie, in corrispondenza delle zone esposte al calore. Questo è un fenomeno naturale e non impedisce alle parti di funzionare correttamente.

## **CORRETTA SOSTITUZIONE DEL BRUCIATORE SEMI-RAPIDO E RAPIDO**

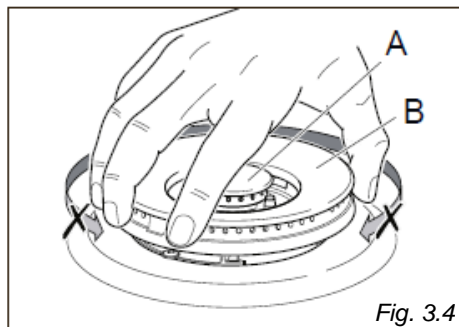
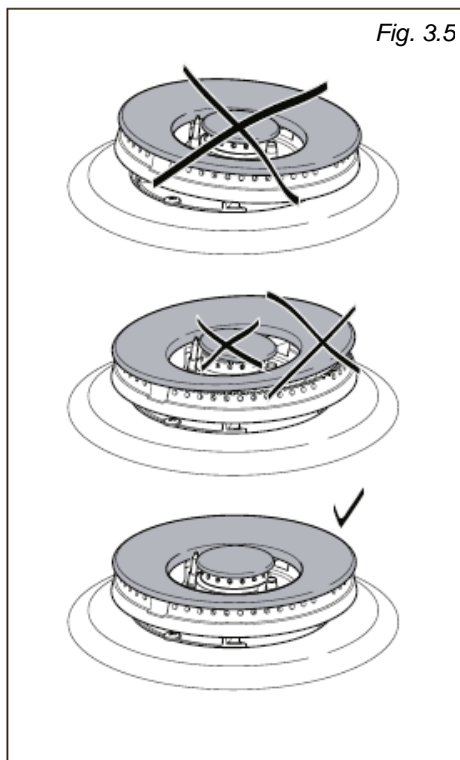
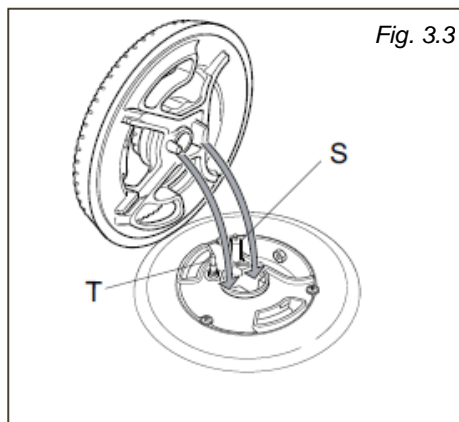
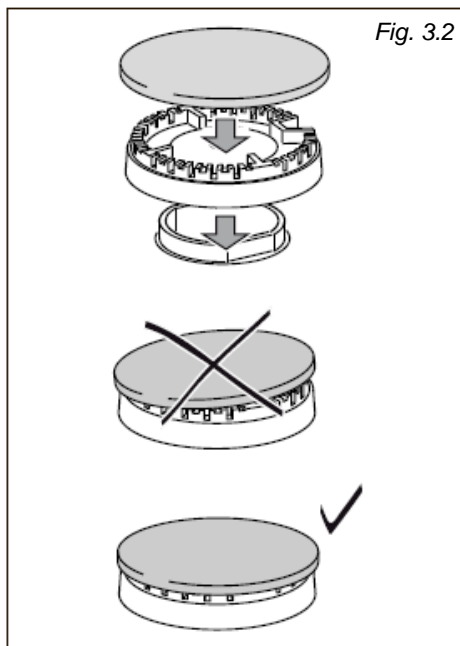
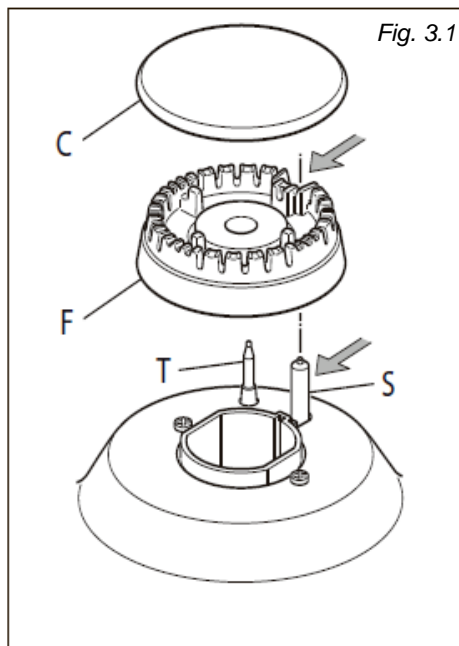
È molto importante controllare che lo spartifiamma del bruciatore "F" e la calotta "C" siano stati correttamente posizionati (vedere fig. 3.1, 3.2); il mancato rispetto di questa condizione può causare problemi gravi.

## **CORRETTA SOSTITUZIONE DELLA DOPPIA CORONA (solo alcuni modelli)**

Il bruciatore deve essere posizionato correttamente; il mancato rispetto di questa condizione può causare problemi gravi.

Montare lo spartifiamma sulla loro sede come indicato dalle frecce (vedere fig. 3.3, 3.4, 3.5).

Il bruciatore correttamente posizionato non deve ruotare (fig. 3.5).







Cod. 1106528 - ISO

## GB

The manufacturer will not be responsible for any inaccuracy resulting from printing or transcript errors contained in this brochure. We reserve the right to carry out modifications to products as required, including the interests of consumption, without prejudice to the characteristics relating to safety or function.

## CS

Výrobce nenese odpovědnost za žádné nepřesnosti vzniklé v důsledku chyb při tisku nebo přepisu této brožury. Vyhrazujeme si právo provádět úpravy výrobků podle potřeby, včetně úprav v zájmu spotřeby, aniž by byly dotčeny charakteristiky týkající se bezpečnosti nebo funkčnosti.

## ES

El fabricante no se hace responsable de ninguna imprecisión resultante de los errores de impresión o transcripción contenidos en este folleto. Nos reservamos el derecho a realizar modificaciones a los productos según sea necesario, incluidos los intereses de consumo, sin perjuicio de las características relacionadas con la seguridad o el funcionamiento.

## HR

Proizvođač ne snosi odgovornost za netočnosti koje su rezultat tiskarske pogreške ili pogrešaka u prijepisu ove brošure. Zadržavamo pravo da, po potrebi, izmijenimo proizvod uključujući interese potrošnje, ne dovodeći u pitanje svojstva u vezi sa sigurnosti ili funkcioniranjem.

## PT

O fabricante não pode ser responsabilizado por qualquer imprecisão que resulte de erros de impressão ou transcrição nesta brochura. Reservamo-nos o direito de efetuar modificações a produtos conforme necessário, incluindo os interesses de consumo, sem prejuízo das características relacionadas com a segurança ou funcionamento.

## RO

Producătorul nu va fi responsabil pentru nicio inexactitate care rezultă din erorile de imprimare sau transcriere cuprinse în această broșură. Ne rezervăm dreptul de a opera modificări asupra produselor, după caz, inclusiv a intereselor de consum, fără a prejudicia caracteristicile aferente siguranței sau funcționării.

## SK

Výrobca nezodpovedá za nepresnosti vyplývajúce z tlačových alebo prepisových chýb uvedených v tejto príručke. Vyhradzujeme si právo vykonať požadované úpravy produktov, vrátane záujmu spotreby bez toho, že by boli dotknuté charakteristiky týkajúce sa bezpečnosti alebo fungovania.

## SL

Proizvajalec ne prevzema odgovornosti za morebitne pomanjkljivosti zaradi napak pri tiskanju ali prepisovanju v tej brošuri. Pridržujemo si pravico, da po potrebi spremenimo izdelke, vključno z interesi potrošnje, brez poseganja v značilnosti glede varnosti ali funkcionalnosti.

## IT

Il produttore non è responsabile di eventuali inesattezze contenute in questo opuscolo dovute a errori di stampa o trascrizione. Il produttore si riserva il diritto di apportare modifiche ai prodotti in base alle esigenze (ad es. gli interessi del consumatore), senza pregiudicare le caratteristiche relative alla sicurezza o il funzionamento.