



User manual  
Washing machine

HW70-B12CIN

HW80-B14CIN

HW90-B14CIN

HW100-B14CIN

EN

**Haier**

## Thank you for purchasing a Haier Product.

Please read these instructions carefully before using this appliance. The instructions contain important information which will help you get the best out of the appliance and ensure safe and proper installation, use and maintenance.

Keep this manual in a convenient place so you can always refer to it for the safe and proper use of the appliance.

If you sell the appliance, give it away, or leave it behind when you move house, make sure you also pass this manual so that the new owner can become familiar with the appliance and safety warnings.



### Legend

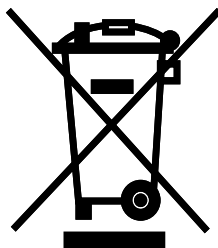
Warning – Important Safety information



General information and tips



Environmental information



### Disposal

Help protect the environment and human health. Put the packaging in applicable containers to recycle it. Help to recycle waste of electrical and electronic appliances. Do not dispose appliances marked with this symbol with the household waste. Return the product to your local recycling facility or contact your municipal office.



## WARNING!

### Risk of injury or suffocation!

Disconnect the appliance from the mains supply. Cut off the mains cable and dispose of it. Remove the door catch to prevent children and pets to get closed in the appliance.

1-Safety information.....	4
2-Product description .....	7
3-Control panel .....	8
4-Programmes.....	11
5-Consumption.....	12
6-Daily use .....	13
7-Eco-friendly washing .....	18
8-Care and cleaning .....	19
9-Troubleshooting .....	22
10-Installation.....	25
11-Technical data.....	29
12-Customer service .....	30

**Before switching on the appliance for the first time read the following safety hints!**



## **WARNING!**

### **Before first use**

- ▶ Make sure there is no transport damage.
- ▶ Make sure all transport bolts are removed.
- ▶ Remove all packaging and keep out of children's reach.
- ▶ Handle the appliance always with at least two persons because it is heavy.

### **Daily use**

- ▶ This appliance can be used by children aged from 8 years and above and persons with reduced physical, sensory or mental capabilities or lack of experience and knowledge if they have been given supervision or instruction concerning use of the appliance in a safe way and understand the hazards involved.
- ▶ Keep away children under 3 years of age from the appliance unless they are constantly supervised.
- ▶ Children shall not play with the appliance.
- ▶ Do not let children or pets come close to the appliance when the door is open.
- ▶ Store washing agents out of reach of children.
- ▶ Pull up zips, fix loose threads and take care for small items to prevent laundry from being entangled. If necessary, use an appropriate bag or net.
- ▶ Do not touch or use the appliance when barefoot or with wet or damp hands or feet.
- ▶ Do not cover or encase the appliance during operation or afterwards to allow any moisture or dampness to evaporate.
- ▶ Do not place heavy objects or sources of heat or damp on top of the appliance.
- ▶ Do not use or store flammable detergent or dry cleaning agent in close vicinity to the appliance.
- ▶ Do not use any flammable sprays in close vicinity to the appliance.
- ▶ Do not wash any garments treated with solvents in the appliance without having dried them previously in the air.

**WARNING!****Daily use**

- ▶ Do not remove or insert the plug in the presence of flammable gas
- ▶ Do not hot wash foam rubber or sponge-like materials.
- ▶ Do not wash any laundry which is polluted with flour.
- ▶ Do not open detergent drawer during any wash cycle.
- ▶ Do not touch the door during the washing process, it gets hot.
- ▶ Do not open the door if the water level is visibly over the porthole.
- ▶ Do not force the door to open. The door is fitted with a self-lock device and will open shortly after the washing procedure is ended.
- ▶ Switch off the appliance after each wash programme and before undertaking any routine maintenance and disconnect the appliance from the electrical supply to save electricity and for safety.
- ▶ Hold the plug, not the cable, when unplugging the appliance.

**Maintenance / cleaning**

- ▶ Make sure children are supervised if they carry out cleaning and maintenance.
- ▶ Disconnect the appliance from the electrical supply before undertaking any routine maintenance.
- ▶ Keep the lower part of the porthole clean and open door and detergent drawer if appliance is not in use to prevent odours.
- ▶ Do not use water spray or steam to clean the appliance.
- ▶ Replace a damaged supply cord only by the manufacturer, its service agent or similarly qualified persons in order to avoid a hazard.
- ▶ Do not try to repair the appliance by yourself. In case of repair please contact our customer service.

**Installation**

- ▶ The appliance should be placed in a well-ventilated place. Ensure a location which allows opening the door fully.
- ▶ Never install the appliance outdoors in a damp place, or in an area which may be prone to water leaks such as under or near a sink unit. In the event of a water leak cut power supply and allow the machine to dry naturally.



## **WARNING!**

### **Installation**

- ▶ Install or use the appliance only where the temperature is above 5 °C.
- ▶ Do not place the appliance directly on a carpet, or close to a wall or furniture.
- ▶ Do not install the appliance in direct sunlight or in the near of heat sources (e.g. stoves, heaters).
- ▶ Make sure that the electrical information on the rating plate agrees with the power supply. If it does not, contact an electrician.
- ▶ Do not use multi-plug adapters and extension cables.
- ▶ Make sure only the delivered electric cable and hose set are used.
- ▶ Make sure not to damage the electric cable and the plug. If damaged have it replaced by an electrician.
- ▶ Use a separate earthed socket for the power supply which is easy accessible after installation. The appliance must be earthed.
- ▶ Make sure the hose joints and connections are firm and there is no leakage.

### **Intended use**

This appliance is intended for washing machine-washable laundry only. Anytime follow the instructions given on the label of each garment label. It is designed exclusively for domestic use inside the house. It is not intended for commercial or industrial use.

Changes or modifications to the device are not allowed. Unintended use may cause hazards and loss of of all warranty and liability claims.

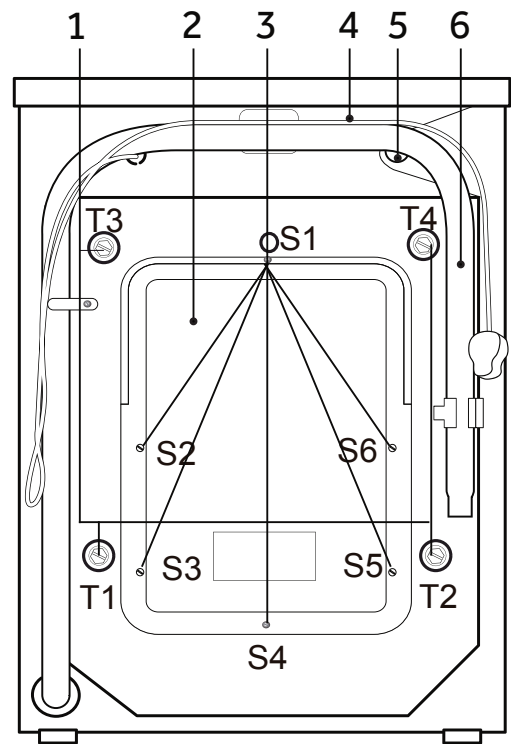
**i Note:**

Due to technical changes and different models, the illustrations in the following chapters may differ from your model.

## 2.1 Picture of appliance




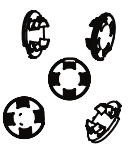




- 1. Detergent / Softener drawer
- 2. Programme selector
- 3. Worktop
- 4. Display
- 5. Rating plate
- 6. Service flap
- 7. Adjustable feet



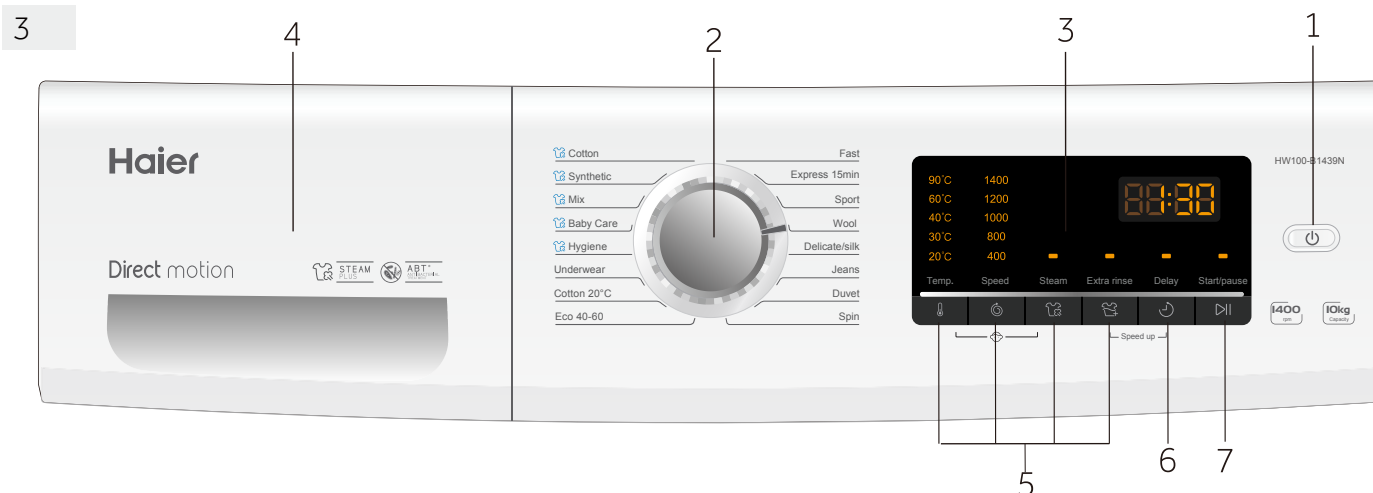
- 1. Transportation bolts (T1-T4)
- 2. Back cover
- 3. Back cover screws (S1-S6)
- 4. Power cord
- 5. Water inlet valve
- 6. Drain hose

## 2.2 Accessories

Check the accessories and literature in accordance with this list (Fig.: 2-3).

					
Inlet hose-assembly	5 Blanking plugs	Noise reduction pads	Drain hose bracket	Warranty card	User manual

2-3



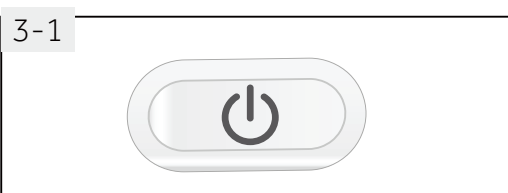
- 1 "On/Off" button
- 2 Programme selector
- 3 Display
- 4 Detergent /Softener drawer
- 5 Function buttons
- 6 "Delay" button
- 7 "Start/Pause" button

## Note : Acoustic signal

In following cases an acoustic signal sounds:

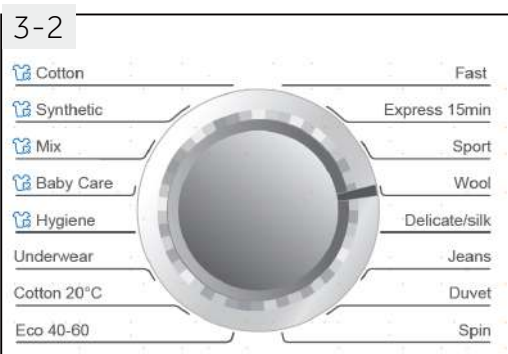
- ▶ when pressing a button
- ▶ when turning the programme selector
- ▶ at the end of programme
- ▶ in case of failures

The acoustic signal can be deselected if necessary; see DAILY USE.



### 3.1 "On/Off" button

Press this button (Fig. 3-1) gently to switch on, the display is shining, the indicator of the "Start/Pause" button is flashing. Press it again for about 2 seconds to switch off. If no panel element or programme is activated after a while machine will shut down automatically.



### 3.2 Programme selector

By turning the knob (Fig. 3-2) one of 16 programmes can be selected .



### 3.3 Display

The display (Fig. 3-3) shows following information:

- ▶ Washing time
- ▶ End time delay
- ▶ Error codes and service information



### 3.4 Detergent / Softener drawer

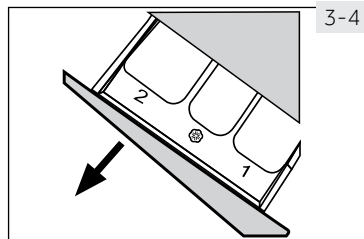
Open the drawer, three compartments can be seen (Fig. 3-4):

Compartment 1 : Water inlet only, no detergent

Compartment 2 : Detergent for programme

Compartment  : Softener, Conditioning agent etc.

The recommendation on the type of detergents is suitable for the various washing temperatures, please refer to the manual of detergent.



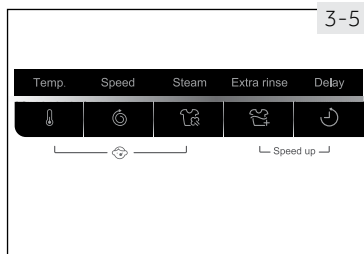
### 3.5 Function buttons

The function buttons (Fig. 3-5) enables additional options in the selected programme before programme start. The related indicators are displayed.

By switching off the appliance or setting a new programme, all options are disabled.

If a button has multiple options, the desired option can be selected by pressing the button sequentially.

To delete the setting or to cancel the setting process, press the function button until the desired LED lights or -in case of only one option- the LED switches off.



#### Note: Factory settings

To get best results in each programme Haier has well defined specific default settings. If there is no special requirement default settings are recommended.

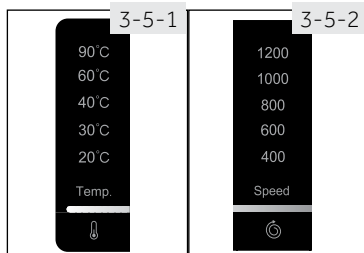
#### 3.5.1-Function button "Temp."

Press this button (Fig. 3-5-1) to change the washing temperature of the programme. If no value is illuminated the water will not be heated.

In conjunction with the "Steam" button, the child lock function can be switch on/off (see CHILD LOCK).

#### 3.5.2-Function button "Speed"

Press this button (Fig. 3-5-2) to change or deselect the spin of the programme. If no value is illuminated the laundry will not spun.



#### 3.5.3-Function button "Steam"

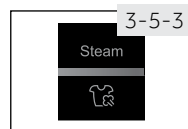
Press this button (Fig. 3-5-3) to activate the steam function.

When this function is activated the default temperature is the maximum temperature of the programme selected.

This function can be activated only with the following programmes: Hygiene, Baby Care, Mix, Synthetic, Cotton.

When the function is activated the led above the button will light up.

Pushing again this button the function can be deactivated and the led above the button will turn off.



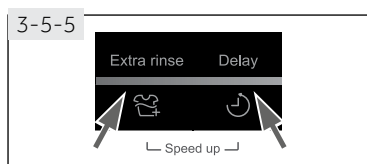
When the function is activated the temperature of the programme cannot be changed. If "Temp." button is pushed the "Steam" function will be deactivated. You can activate "Steam" function only before to start any programme. You cannot activate "Steam" function while the appliance is already executing a programme.



### 3.5.4 Function button "Extra rinse"

Press this button (Fig. 3-5-4) to rinse the laundry more intense with fresh water. This is recommended for people with sensitive skin.

By pressing the button several times one to three additional cycles can be selected. They appear in the display with P--1/P--2/P--3.



### 3.5.5 Function "Speed up"

This function saves time and energy. Preferable if laundry is slightly soiled. Press simultaneously button "Extra rinse." and "Delay" (Fig. 3-5-5) for about 3 seconds to activate the "Speed up" function; **SPEED UP** is displayed. This function is not available in all programmes (see PROGRAMMES).



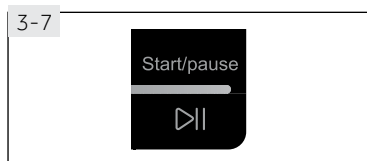
### 3.6 Function button "Delay"

Press this button (Fig. 3-6) to start the programme with a delay. End time delay could be increased in steps of 30 minutes from 0,5-24h. For example display off **6:30** means end of programme cycle will be in 6 hours and 30 minutes. Press "Start/Pause" button to activate the time delay. It is not applicable to programme SPIN.

The default delay setting time is greater than the running time of the program.

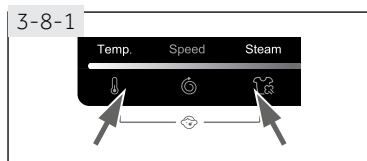
## **i** Note: Liquid detergent

If using liquid detergent, it is not recommended to activate the end time delay.



### 3.7 "Start/Pause" button

Press this button (Fig. 3-7) gently to start or interrupt the currently displayed programme. During programme setting and during programme run the LED above the button is shining, or if interrupted blinking.



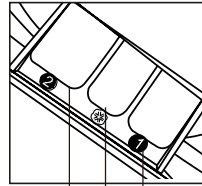
### 3.8 Child lock

Press button "Temp." and "Steam" (Fig. 3-8-1) for 3 seconds simultaneously to block all panel elements against activation. For unlocking please press again the two buttons.

The display shows **CLrd** (Fig. 3-8-2) if a button will be pressed, when the child lock is activated. The change is not running.



● Yes, ○ Optional, / No



Detergent compartment for:  
 ① Water inlet only, no detergent  
 ② Detergent  
 ☼ Softener or care product

Programme	Max. load <sup>1)</sup> in kg HW100/90/80/70 -B..CIN..	Temperature		Preset	Detergent compartment			Fabric type	Preset spin speed in rpm HW...-B14/12..	Function		
		in °C	seleable range		2	☼	1			Steam	Extra rinse	Speed up
Cotton	10/9/8/7	* to 90 <sup>2)</sup>	40	●	○	/	Cotton	1400/1200	●	●	●	
Synthetic	5/4.5/4/3.5	* to 60	40	●	○	/	Synthetics or mixed fabric	1200	●	●	●	
Mix	10/9/8/7	* to 60	30	●	○	/	Lightly soiled mixed-laundry of cotton and synthetics	1000	●	●	●	
Baby Care	5/4.5/4/3.5	* to 90 <sup>2)</sup>	40	●	○	/	Cotton/Synthetics	1000	●	●	●	
Hygiene	5/4.5/4/3.5	90	90	●	○	/	Cotton	1000	●	●	/	
Underwear	5/4.5/4/3.5	* to 60	40	●	○	/	Underwear	1000	/	●	●	
Cotton 20°C	10/9/8/7	20	20	●	○	/	Cotton	1400/1200	/	●	●	
Eco 40-60	10/9/8/7	/	/	●	○	/	Cotton	/	/	/	/	
Fast <sup>3)</sup>	5/4.5/4/3.5	* to 40	40	●	○	/	Lightly soiled laundry made of cotton or synthetics	1000	/	●	/	
Express <sup>3)</sup> 15 min	2.5/2/2/1	* to 40	*	●	○	/	Cotton / Synthetics	1000	/	●	/	
Sport	5/4.5/4/3.5	* to 40	20	●	○	/	Sports wear	800	/	●	/	
Wool	2.5/2/2/1	* to 40	*	●	/	/	Machine-washable fabric made of wool or with wool content	800	/	●	/	
Delicate/silk	2.5/2/2/1	* to 30	30	●	/	/	Delicate laundry and silk	400	/	●	/	
Jeans	5/4.5/4/3.5	* to 60	30	●	○	/	Cotton	1000	/	●	●	
Duvet	2.5/2/2/1	* to 40	40	●	/	/	Duvet	800	/	●	●	
Spin	10/9/8/7	/	/	/	/	/	all fabrics	1000	/	/	/	

<sup>1)</sup> Relating to dry laundry.

<sup>2)</sup> Choose 90 °C wash temperature only for special hygiene requirements. \*: water will not be heated (no value is illuminated).

<sup>3)</sup> Reduce detergent amount because programme duration is short.

Scan QR code on energy label for energy consumption information.

The actual energy consumption may differ from the declared one according to local conditions.

EU1015/2010 program

Select Eco 40-60, press "speed" 10s, then adjust to 60°C/40°C with max. spin speed. The standard 60°C and 40°C cotton programmes are suitable to clean normally soiled cotton laundry. They are the most efficient programmes in terms of combined energy and water consumption for cotton laundry. Actual water temperature may differ from declared cycle temperature.



## Note: Auto Weight

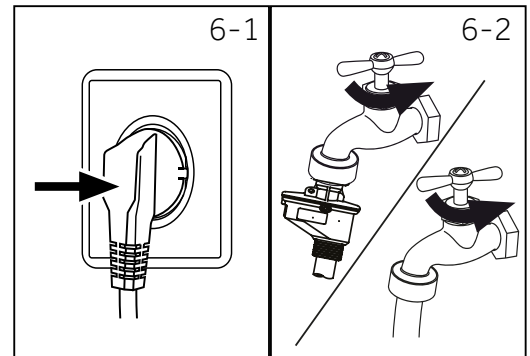
The appliance is equipped with a loading recognition. At low loading, energy, water and washing time will be reduced automatically in some programs. The display shows **AUTO**.

### 6.1 Power supply

Connect the washing machine to a power supply (220V to 240V~/50Hz; Fig. 6-1). Please refer also to section INSTALLATION.

### 6.2 Water connection

- ▶ Before connecting check the cleanliness and clarity of the water inlet.
- ▶ Turn on the tap (Fig.6-2).

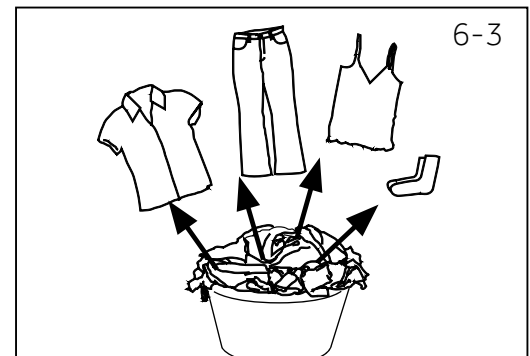


### **i** Note: Tightness

Before use check for leakage in the joints between the tap and the inlet hose by turning on the tap.

### 6.3 Preparing laundry

- ▶ Sort out clothes according to fabric (cotton, synthetics, wool or silk etc.) and to how dirty they are (Fig. 6-3). Pay attention to the care labelling of washing labels.
- ▶ Separate white clothes from coloured ones. Wash coloured textiles first by hand to check if they fade or run.
- ▶ Empty pockets (keys, coins, etc.) and remove harder decorative objects (e.g. brooches).
- ▶ Garments without hems, delicates and finely woven textile such as fine curtains are to be put into a wash bag to care for this delicate laundry (hand or dry cleaning would be better).
- ▶ Close zippers, velco fastener and hooks, make sure the buttons are sewn on tightly.
- ▶ Place sensitive items like laundry without firm hem, delicate underwear (Dessous) and small items such as socks, belts, bras, etc. in a wash bag.
- ▶ Unfold large pieces of fabric such as bed sheets, bedspreads etc.
- ▶ Turn jeans and printed, decorated or color-intensive textiles inside out; possibly wash separately.



### **!** CAUTION!

Non-textile, as well as small, loose or sharp-edged items may cause malfunctions and damage of clothes and appliance.

## Care chart

Washing		
 Washable up to 95°C normal process	 Washable up to 60°C normal process	 Washable up to 60°C mild process
 Washable up to 40°C normal process	 Washable up to 40°C mild process	 Washable up to 40°C very mild process
 Washable up to 30°C normal process	 Washable up to 30°C mild process	 Washable up to 30°C very mild process
 Wash by hand max. 40°C	 Do not wash	
Bleaching		
 Any bleaching allowed	 Only oxygen/ non -chlorine	 Do not bleach
Drying		
 Tumble drying possible normal temperature	 Tumble drying possible lower temperature	 Do not tumble dry
 Line drying	 Flat drying	
Ironing		
 Iron at a maximum temperature up to 200 °C	 Iron at a medial temperature up to 150°C	 Iron at a low temperature up to 110 °C; without steam (steam ironing may cause irreversible damage)
 Do not iron		
Professional Textile Care		
 Dry cleaning in tetra-chloroethene	 Dry cleaning in hydrocarbons	 Do not dry clean
 Professional wet clean	 Do not professional wet clean	

## 6.4 Loading the appliance

- ▶ Put in the laundry piece by piece.
- ▶ Don't overload. Note the different maximum load according to programmes! Rule of thumb for maximum load: Keep six inches between load and drum top.
- ▶ Close the door carefully. Make sure that no pieces of laundry are pinched.

## 6.5 Selecting detergent

- ▶ Washing efficiency and performance is determined by used detergent quality.
- ▶ Use only machine wash approved detergent.
- ▶ If needed use specific detergents, e.g. for synthetic and woolen fabric.
- ▶ Mind always detergent manufacturer recommendations.
- ▶ Do not use dry cleaning agents such as trichloroethylene and similar products.

## Choose the best detergent

Programme	Kind of detergent				
	Universal	Colour	Delicate	Special	Softener
Cotton	L/P	L/P	-	-	o
Synthetic	-	-	L/P	-	o
Mix	L/P	L/P	-	-	o
Baby Care	L/P	L/P	-	-	o
Hygiene	L/P	L/P	L	-	o
Underwear	L/P	L/P	-	-	o
Cotton 20°C	L/P	L/P	-	-	o
Eco 40-60	L/P	L/P	-	-	o
Fast	L/P	L/P	-	-	o
Express 15min	L	L	-	-	o
Sport	-	-	-	L	o
Wool	-	-	L/P	L/P	-
Delicate/silk	-	-	-	L/P	-
Jeans	L/P	L/P	L	-	o
Duvet	-	-	L	L/P	-

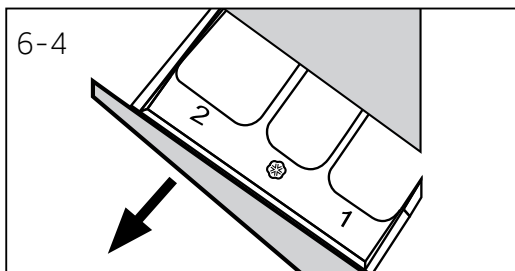
L = gel-/liquid detergent P = powder detergent O = optional - = no

If using liquid detergent, it is not recommended to activate the time delay.

We recommend by using:

- ▶ Laundry powder: 20°C to 90°C\* (best use: 40-60°C)
- ▶ Color detergent: 20°C to 60°C (best use: 30-60°C)
- ▶ Wool/delicate detergent: 20°C to 30°C (best use: 20-30°C)

\* Choose 90 °C wash temperature only for special hygienic requirements.

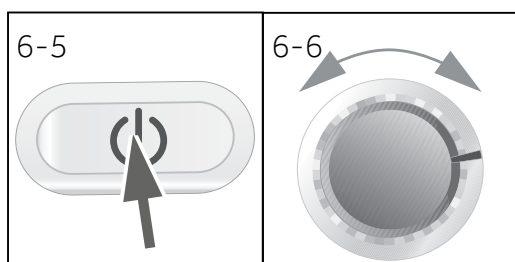


## 6.6 Adding detergent

1. Slide out the detergent drawer.
2. Put the required chemicals into corresponding compartments (Fig. 6-4).
3. Push back the drawer gently.

### **i** Note:

- ▶ Remove detergent residues before next wash cycle from the detergent drawer.
- ▶ Do not overuse detergent or softener.
- ▶ Please follow the instruction on the detergent package.
- ▶ Always fill the detergent just before the beginning of the wash cycle.
- ▶ Concentrated liquid detergent should be diluted before adding into compartment 2.
- ▶ The best use of liquid detergent is by using a dosing ball, which is given with the laundry into the washing machine.
- ▶ Do not use liquid detergent if "Delay" is selected.
- ▶ Carefully choose the programme settings according to the care symbols on all laundry labels and according to the programme table.



## 6.7 Switch on the appliance

Press the "On/Off" button to switch on the appliance (Fig. 6-5). The LED of the "Start/Pause" button is flashing.

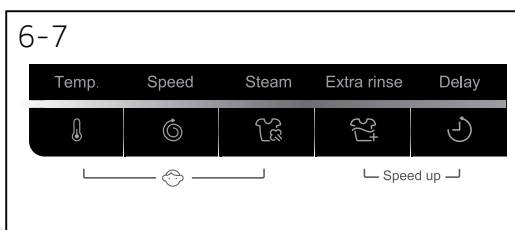
## 6.8 Select a programme

To get the best washing results, select a programme which fits the degree of soiling and sort of laundry type.

Turn the programme knob (Fig. 6-6) to select the right programme.

### **i** Note: Odour removal

Before first use we recommended to run programme HYGIENE with no load and small amount of detergent in washing agent compartment (2) or special machine cleaner to remove possibly corruptive residues.



## 6.9 Add individual selections

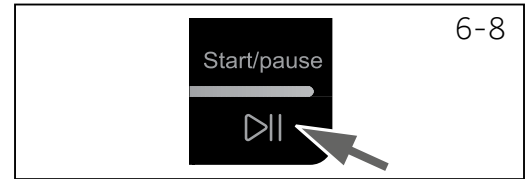
Select required options and settings (Fig. 6-7); refer to CONTROL PANEL.



### 6.10 Start wash programme

Press "Start/Pause" button (Fig. 6-8) to start. The LED of the "Start/Pause" button stops flashing and lights up continuously.

Appliance operates according to present settings. Changes are only possible by cancelling the programme.



### 6.11 Interrupt / cancel wash programme

To interrupt a running programme press gently "Start/Pause". The LED above the button is flashing. Press it again to resume operation.

To cancel a running programme and all its individual settings:

1. Press "Start/Pause" button to interrupt the running programme.
2. Press "On/Off" button for about 2 seconds to switch the appliance off.
3. Press "On/Off" button to turn on the appliance, select programme Spin and then select "no Speed" (speed lights are off), start the machine to drain the water.
4. After closing the program to restart the appliance, select a new programme and start it.

#### Note: Door lock

- ▶ For safety reasons the door is locked partially during the washing cycle. It is only possible to open the door at the end of the programme or after the programme was cancelled correctly (see description above).
- ▶ In case of high water level, high water temperature and during spinning it is not possible to open the door; **Loct** is displayed

3.

### 6.12 After washing

1. At programme cycle end **End** is displayed.
2. The appliance switches off automatically.
3. Remove laundry as soon as possible to go easy on it and to prevent more wrinkling.
4. Turn off the water supply.
5. Unplug the power cord.
6. Open the door to prevent formation of moisture and odours. Let it open while not used.

#### Note: Standby mode / energy-saving mode

The switched on appliance will go into standby mode if it will not be activated within 2 minutes before starting the program or at the end of program. The display switches off. This saves energy. To interrupt the standby mode push "Start/Pause" button.

### 6.13 Activate or deactivate the buzzer

The acoustic signal can be deselected if necessary:

1. Switch on the appliance.
2. Select the SPIN programme.
3. Press the "Steam" button and "Extra rinse" button at the same time for about 3 seconds. **bEEP OFF** will be displayed and the buzzer will be deactivated.

For activating the buzzer press these two buttons at the same time again. **bEEP ON** will be displayed.



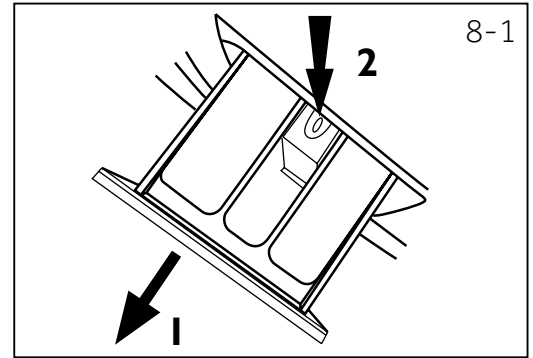
## Environmentally responsible use

- ▶ To achieve best use of energy, water, detergent and time you should use the recommended maximum load size.
- ▶ Do not overload (hand width clearance above laundry).
- ▶ For slightly soiled laundry select the Quick Wash programme.
- ▶ Apply exact dosages of each washing agent.
- ▶ Choose the lowest adequate washing temperature - modern detergents are efficiently cleaning below 60°C.
- ▶ Raise default settings only due to heavy staining.
- ▶ Select max. spinning speed if a domestic dryer is used.

### 8.1 Cleaning the detergent drawer

Take always care there are no detergent residues. Clean the drawer regularly (Fig. 8-1):

1. Pull out the drawer until it stops.
2. Press the release button and remove the drawer.
3. Flush the drawer with water until it is clean and insert the drawer back in the appliance.



### 8.2 Cleaning the machine

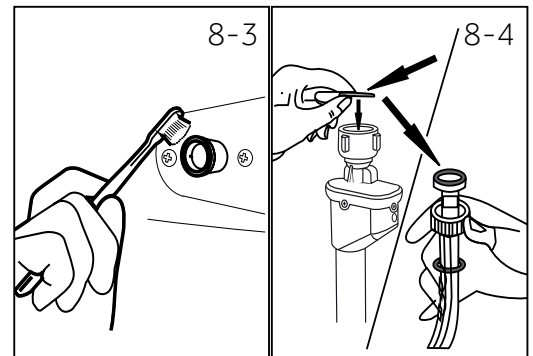
- ▶ Unplug the machine during cleaning and maintenance.
- ▶ Use a soft cloth with soap liquid to clean the machine case (Fig. 8-2) and rubber components.
- ▶ Do not use organic chemicals or corrosive solvents.



### 8.3 Water inlet valve and inlet valve filter

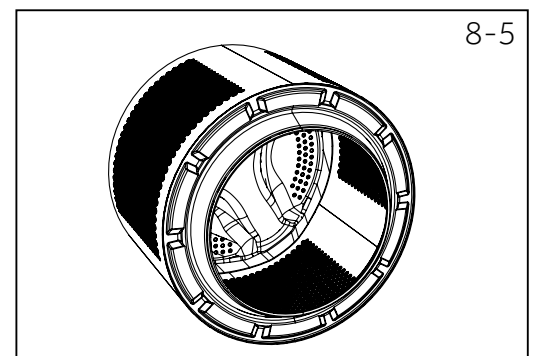
To prevent blockage of water supply by solid substances like lime clean regularly the inlet valve filter.

- ▶ Unplug the power cord and turn off the water supply.
- ▶ Unscrew the water inlet hose at the back (Fig. 8-3) of the appliance as well as on the tap.
- ▶ Flush the filters with water and a brush (Fig. 8-4).
- ▶ Insert the filter and install the inlet hose.



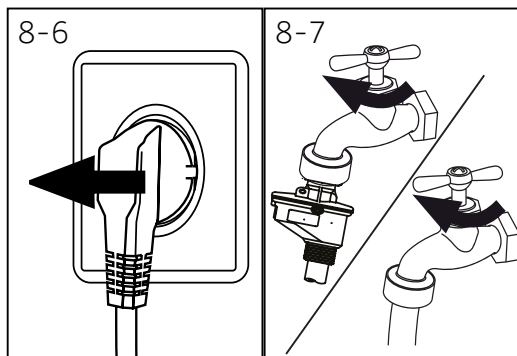
### 8.4 Cleaning the drum

- ▶ Remove accidentally washed metal parts such as pins, coins, etc. from the drum (Fig. 8-5) because they cause rust stains and damage.
- ▶ Use a non-chloride cleaner for removing rust stains. Observe the warning hints of the cleaning agent manufacturer.
- ▶ Do not use any hard objects or steel wool for cleaning.



#### Note: Hygiene

For regular maintenance we recommend to run programme HYGIENE with no load in order to remove possible corruptive residues quarterly. It is better to use a small amount of special machine cleaner in washing agent compartment (2).



## 8.5 Long periods of disuse

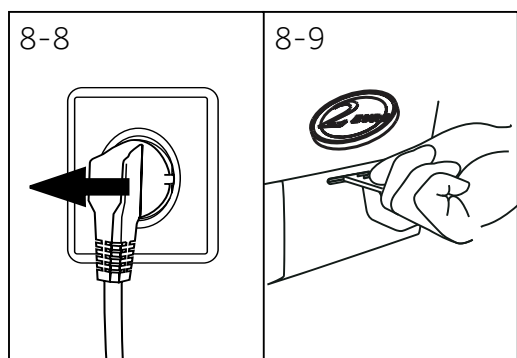
If the appliance is left idle for a longer period:

1. Pull out the electrical plug (Fig. 8-6).
2. Turn off water supply (Fig. 8-7).
3. Open the door to prevent formation of moisture and odours. Let door open while not used.

Before next usage check carefully power cord, water inlet and drain hose. Make sure everything is properly installed and without leakage.

### **i** Note: Hygiene

After long periods of disuse we recommended to run programme HYGIENE with no load and small amount of detergent in washing agent compartment (2) or special machine cleaner to remove possibly corruptive residues.



## 8.6 Pump filter

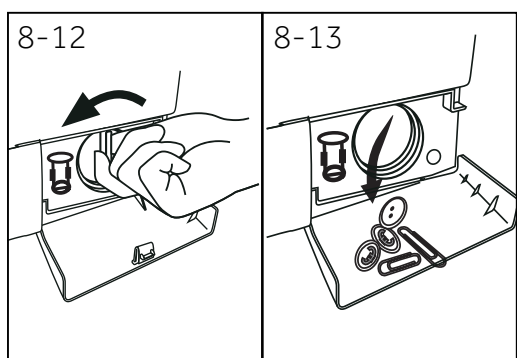
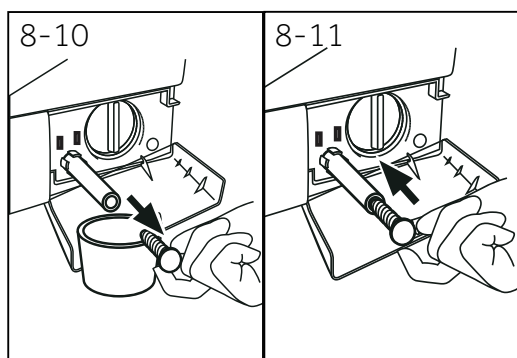
Clean the filter once a month and check the pump filter for instance if the appliance:

- ▶ Doesn't drain the water.
- ▶ Doesn't spin.
- ▶ Cause unusual noise while running.



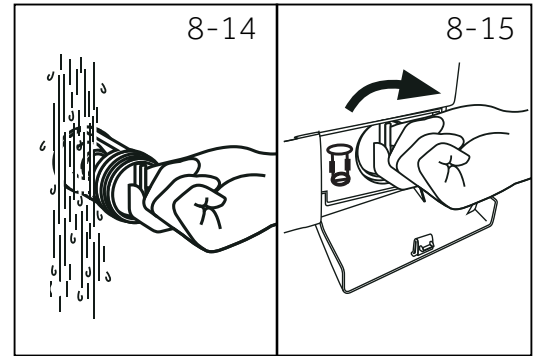
### **WARNING!**

Scalding Risk! Water in the pump filter can be very hot! Before any action please ensure water has cooled down.



1. Turn off and unplug the machine (Fig. 8-8).
2. Open service flap. You can either use a coin or a screwdriver (Fig. 8-9).
3. Provide a flat container to catch leach water (Fig. 8-10). There could be bigger amounts!
4. Pull the drainhose out and hold its end above the container (Fig. 8-10).
5. Take the sealing plug out of the drainhose (Fig. 8-10).
6. After complete drainage close drainhose (Fig. 8-11). and push it back into the machine.
7. Unscrew and remove counter clockwise the pump filter (Fig. 8-12).
8. Remove contaminants and dirt (Fig. 8-13).

9. Clean carefully pump filter, e.g. using running water (Fig. 8-14).
10. Refix it thoroughly (Fig. 8-15).
11. Close service flap.



### CAUTION!

- ▶ Pump filter sealing has to be clean and unhurt. If the lid is not full tightened, water can escape.
- ▶ The filter must be in place, or it may lead to leakage.

Many occurring problems could be solved by yourself without specific expertise. In case of a problem please check all shown possibilities and follow below instructions before you contact an after sales service. See CUSTOMER SERVICE.



## WARNING!

- ▶ Before maintenance, deactivate the appliance and disconnect the mains plug from the mains socket.
- ▶ Electrical equipment should be serviced only by qualified electrical experts, because improper repairs can cause considerable consequential damages..
- ▶ A damaged power cable should only be replaced by the manufacturer, its service agent or similarly qualified persons in order to avoid a hazard.

### 9.1 Information codes

Following codes are displayed only for information referring to the washing cycle. No measures must be performed.

Code	Message
t:25	The remaining wash cycle time will be 1 hour and 25 minutes.
6:30	The remaining wash cycle time including chosen end-time delay will be 6 hours and 30 minutes.
P-- 1/2/3	1/2/3 additional rinses are choosen (see FUNCTION BUTTONS "Extra rinse").
End	The washing cycle is finished. The appliance shuts off automatically.
cLrd	Function child lock is activated.
Loct	Door is closed because of high water level, high water temperature or spinning cycle.
bEEP OFF	The buzzer is deactivated.
bEEP ON	The buzzer is activated.
SPEED UP	Function "Speed up" is activated.

### 9.2 Troubleshooting with display code

Problem	Cause	Solution
ELr FLtR	<ul style="list-style-type: none"> <li>• Drainage error.</li> </ul>	<ul style="list-style-type: none"> <li>• Clean pump filter.</li> <li>• Check drain hose installation.</li> </ul>
E2	<ul style="list-style-type: none"> <li>• Lock error.</li> </ul>	<ul style="list-style-type: none"> <li>• Shut the door properly.</li> </ul>
E4	<ul style="list-style-type: none"> <li>• Water level not reached.</li> <li>• Drain hose is self syphoning.</li> </ul>	<ul style="list-style-type: none"> <li>• Make sure that tap is fully opened and water pressure is normal.</li> <li>• Check drain hose installation.</li> </ul>
EB	<ul style="list-style-type: none"> <li>• Water protective level error.</li> </ul>	<ul style="list-style-type: none"> <li>• Contact the After sales service.</li> </ul>

Problem	Cause	Solution
<i>F3</i>	<ul style="list-style-type: none"> <li>Temperature sensor error.</li> </ul>	<ul style="list-style-type: none"> <li>Contact the After sales service.</li> </ul>
<i>F4</i>	<ul style="list-style-type: none"> <li>Heating error.</li> </ul>	<ul style="list-style-type: none"> <li>Contact the After sales service.</li> </ul>
<i>F7</i>	<ul style="list-style-type: none"> <li>Motor error.</li> </ul>	<ul style="list-style-type: none"> <li>Contact the After sales service.</li> </ul>
<i>FA</i>	<ul style="list-style-type: none"> <li>Water level sensor error.</li> </ul>	<ul style="list-style-type: none"> <li>Contact the After sales service.</li> </ul>
<i>FE 1 or FE0 or FE2</i>	<ul style="list-style-type: none"> <li>Abnormal communication error.</li> </ul>	<ul style="list-style-type: none"> <li>Contact the After sales service.</li> </ul>
<i>Unb</i>	<ul style="list-style-type: none"> <li>Unbalanced load error.</li> </ul>	<ul style="list-style-type: none"> <li>Check and balance laundry load in the drum.</li> </ul>

### 9.3 Troubleshooting without display code

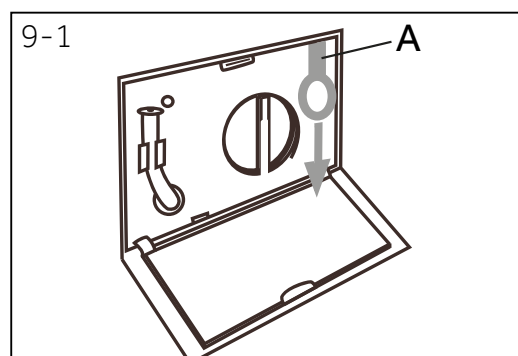
Problem	Cause	Solution
Washing machine fails to operate.	<ul style="list-style-type: none"> <li>Programme is not yet started.</li> <li>Door is not properly closed.</li> <li>Machine has not been switched on.</li> <li>Power failure.</li> <li>Child lock is activated.</li> </ul>	<ul style="list-style-type: none"> <li>Check programme and start it.</li> <li>Close the door properly.</li> <li>Switch the machine on.</li> <li>Check power supply.</li> <li>Deactivate child lock.</li> </ul>
Washing machine will not be filled with water.	<ul style="list-style-type: none"> <li>No water.</li> <li>Inlet hose is kinked.</li> <li>Inlet hose filter is blocked.</li> <li>Water pressure is less than 0.03 MPa.</li> <li>Door is not properly closed.</li> <li>Water supply failure.</li> </ul>	<ul style="list-style-type: none"> <li>Check water tap.</li> <li>Check inlet hose.</li> <li>Unblock inlet hose filter.</li> <li>Check water pressure.</li> <li>Close the door properly.</li> <li>Ensure the water supply.</li> </ul>
Machine is draining while being filled.	<ul style="list-style-type: none"> <li>Height of drain hose is below 80 cm.</li> <li>Drain hose end could reach into water.</li> </ul>	<ul style="list-style-type: none"> <li>Make sure that drain hose is properly installed.</li> <li>Make sure the drain hose is not in water.</li> </ul>
Drainage failure.	<ul style="list-style-type: none"> <li>Drain hose is blocked.</li> <li>Pump filter is blocked.</li> <li>Drain hose end is higher than 100 cm above floor level.</li> </ul>	<ul style="list-style-type: none"> <li>Unblock drain hose.</li> <li>Clean pump filter.</li> <li>Make sure that drain hose is properly installed.</li> </ul>
Strong vibration while spinning.	<ul style="list-style-type: none"> <li>Not all transportation bolts have been removed.</li> <li>Appliance has no solid position.</li> <li>Machine load is not correct.</li> </ul>	<ul style="list-style-type: none"> <li>Remove all transportation bolts.</li> <li>Ensure solid ground and a levelled position.</li> <li>Check load weight and balance.</li> </ul>
Operation stops before completing wash cycle.	<ul style="list-style-type: none"> <li>Water or electric failure.</li> </ul>	<ul style="list-style-type: none"> <li>Check power and water supply.</li> </ul>
Operation stops for a period of time.	<ul style="list-style-type: none"> <li>Appliance displays error code.</li> <li>Problem due to load pattern.</li> <li>Programme performs soaking cycle.</li> </ul>	<ul style="list-style-type: none"> <li>Consider display codes.</li> <li>Reduce or adjust load.</li> <li>Cancel programme and restart.</li> </ul>

Problem	Cause	Solution
Excessive foam floats drum and/or detergent drawer.	<ul style="list-style-type: none"> <li>• Detergent is not appropriate.</li> <li>• Excessive use of detergent.</li> </ul>	<ul style="list-style-type: none"> <li>• Check detergent recommendations.</li> <li>• Reduce amount of detergent.</li> </ul>
Automatic adjustment of washing time.	<ul style="list-style-type: none"> <li>• Washing programme duration will be adjusted.</li> </ul>	<ul style="list-style-type: none"> <li>• This is normal and doesn't affect functionality.</li> </ul>
Spinning fails.	<ul style="list-style-type: none"> <li>• Unbalance of laundry.</li> </ul>	<ul style="list-style-type: none"> <li>• Check machine load and laundry and run a spinning programme again.</li> </ul>
Unsatisfactory washing result.	<ul style="list-style-type: none"> <li>• Degree of pollution does not agree with selected programme.</li> <li>• Detergent quantity was not sufficient.</li> <li>• Maximum load has been exceeded.</li> <li>• Laundry was unevenly distributed in the drum.</li> </ul>	<ul style="list-style-type: none"> <li>• Select an other programme.</li> <li>• Choose the detergent acc. to the degree of pollution and acc. to manufacturer specifications.</li> <li>• Reduce loading.</li> <li>• Loose the laundry.</li> </ul>
Washing powder residues are on the laundry.	<ul style="list-style-type: none"> <li>• Insoluble particles of detergent can remain as white spots on the laundry.</li> </ul>	<ul style="list-style-type: none"> <li>• Perform extra rinse.</li> <li>• Try to brush the points from the dry laundry.</li> <li>• Choose an other detergent.</li> </ul>
Laundry has grey patches.	<ul style="list-style-type: none"> <li>• Caused by fats such as oils, creams or ointments.</li> </ul>	<ul style="list-style-type: none"> <li>• Pretreat the laundry with a special cleaner.</li> </ul>

## Note: Foam formation

If too much foam is inspected during spin cycle, motor stops and drain pump will be activated for 90 seconds. If that elimination of foam fails up to 3 times, programme ends without spinning.

Should the error messages reappear even after the taken measures, switch off the appliance, disconnect the power supply and contact the customer service.



## 9.4 In case of power failure

The current programme and its setting will be saved. When power supply is restored operation will be resumed.

In case of power failure during programme run door opening is mechanically blocked. If the laundry is to be removed, the water level must not be visible in the glass door. - Danger of scalding!

- ▶ Lower the water level according to step 1 to 6 of chapter CARE AND CLEANING (PUMP FILTER).
- ▶ Pull lever (A) beneath service flap (Fig. 9-1) until door is unlocked by a gentle click.
- ▶ Fix all parts and close the service flap.



## 10.1 Preparation

- ▶ Take the appliance out of the packaging.
- ▶ Remove all packaging material including polystyrene base, keep them out of children's reach. While opening the package, water drops may be seen on plastic bag and port-hole. This normal phenomenon results from water tests in the factory.



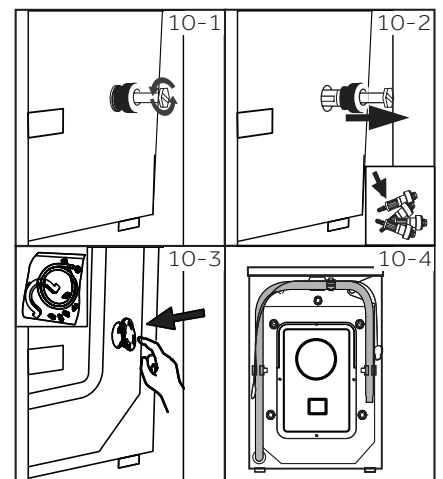
### Note: Packaging disposal

Keep all packaging materials out of children's reach and dispose them in an environmentally friendly manner.

## 10.2 Dismantle the transportation bolts

The transportation bolts are designed for clamping anti-vibration components inside the appliance during transportation to prevent inner damage.

1. Remove all 4 bolts on the rear side and take out plastic spacers (Fig. 10-1)(Fig. 10-2).
2. Fill left holes with blanking plugs (Fig. 10-3)(Fig. 10-4).



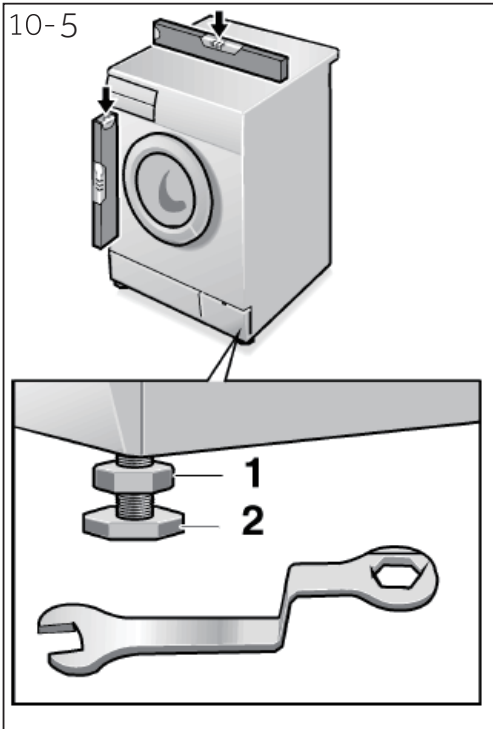
### Note: Keep in safe place

Keep the transportation bolts in a safe place for later use. Whenever the appliance is to be moved at first reinstall the bolts.

## 10.3 Moving the appliance

If the machine is to be moved to a distant location, replace the transportation bolts removed before installation to prevent damage:

1. Remove the blanking plugs.
2. Remove the back cover.
3. Insert the plastic spacers and the transportation bolts.
4. Tighten the bolts with a spanner.
5. Replace the back cover.



## 10.4 Aligning the appliance

Adjust all feet (Fig. 10-5) to achieve a complete level position. This will minimize vibrations and thus noise during use. It will also reduce wear and tear. We recommend to use a spirit level for adjustment. Floor should be as stable and flat as possible.

1. Loose the locknut (1) by using a wrench.
2. Adjust the high by turning the foot (2).
3. Tighten locknut (1) against the housing.

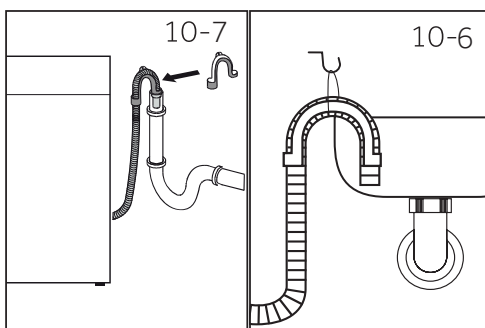
## 10.5 Drain water connection

Fix the water drain hose properly to the piping. The hose has to reach at one point a height between 80 and 100 cm above the appliance bottom line! If possible keep always drain hose fixed to the clip at the appliance back.



### WARNING!

- ▶ Use only the supplied hose set for the connection.
- ▶ Never reuse old hose sets!
- ▶ Only connect to cold water supply.
- ▶ Before connection, check whether the water is clean and clear.



Following connections are possible:

### 10.5.1 Drain hose to sink

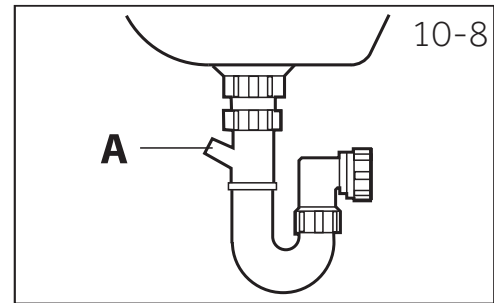
- ▶ Hang the drain hose with the U-support over the edge of a sink with adequate size (Fig. 10-6).
- ▶ Protect the U-support sufficiently against slipping.

### 10.5.2 Drain hose to waste water connection

- ▶ The internal diameter of the stand pipe with vent-hole must be minimum 40 mm.
- ▶ Put the drain hose for approx. 80 mm in the wastewater pipe.
- ▶ Attach the U-support and secure it sufficiently (Fig. 10-7).

### 10.5.3 Drain hose to sink connection

- ▶ The junction must lie above the siphon.
- ▶ A spigot connection is usually closed by a pad (A). That must be removed to prevent any disfunction(Fig.10-8).
- ▶ Secure the drain hose with a clamp.



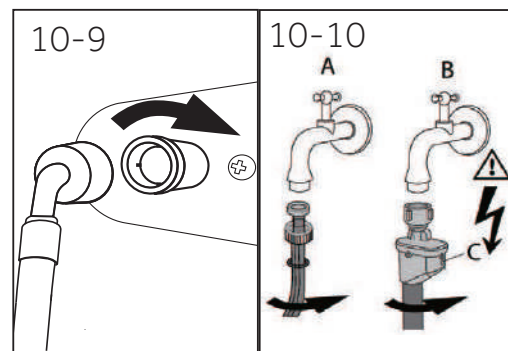
### CAUTION!

- ▶ The drain hose should not be submerged in water and should be securely fixed and leak-free. If the drain hose is placed on the ground or if the pipe is at a height of less than 80 cm, the washing machine will continuously drain while being filled (self-siphoning).
- ▶ Drain hose is not to be extended. If necessary contact after sales service.

### 10.6 Fresh water connection

Make sure that the gaskets are inserted.

1. Connect the water inlet hose with the angled end to the appliance(Fig.10-9).Tighten the screw joint by hand.
2. The other end connect to a water tap with a 3/4"thread(Fig.10-10).



### Note: Aqua-stop system:

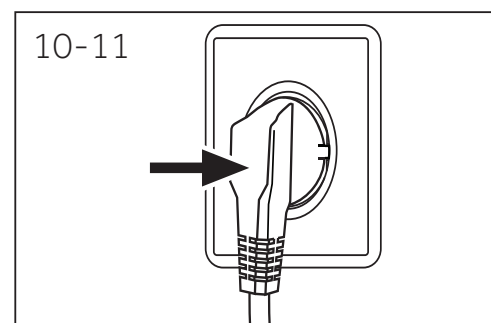
Some models are equipped with an aqua-stop inlet hose (B).The aqua-stop system protects against water damage by automatically cutting the fresh water supply in case of a leaking hose. This is indicated by a red marker (C). The hose must be replaced.

### 10.7 Electrical connection

Before each connection check if:

- ▶ Power supply, socket and fusing are appropriate to the rating plate.
- ▶ The power socket is earthed and no multi-plug or extension are used.
- ▶ The power plug and socket are strictly according.
- ▶ **Only UK:** The UK plug meets BS1363A standard.

Put the plug into the socket(Fig.10-11)





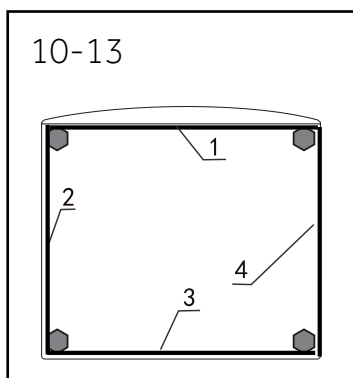
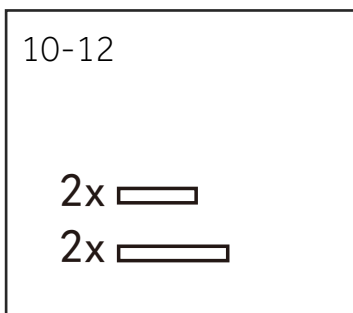
## WARNING!

- ▶ Ensure always that all connections (power supply, drain and fresh water hose) are firm, dry and leak free!
- ▶ Take care these parts are never to be crushed, kinked, or twisted.
- ▶ If the supply cord is damaged, it must be replaced by the service agent (see warranty card) in order to avoid a hazard.



## Note: Hygiene

After each installation or long periods of disuse, before first use and for regular maintenance run programme **HYGIENE** with no load and small amount of detergent in washing agent compartment (2) or with special machine cleaner to remove possibly corrosive residues.



## 10.8 Noise reduction pads installation instructions (2.2 Accessories Sponge)

1. When opening the shrink package, you will find the noise reduction pads. These are used for reducing noise. (Fig. 10-12)
2. Lay the washing machine down to its side, porthole pointing upwards, bottom side towards operator.
3. Take out the noise reduction pads and remove the double-sided adhesive protective film; the noise reduction pads under the washing machine cabinet as shown in Figure 10-13. (two longer pads in position 1 and 3, two shorter pads in position 2 and 4). Finally set the machine upright again.

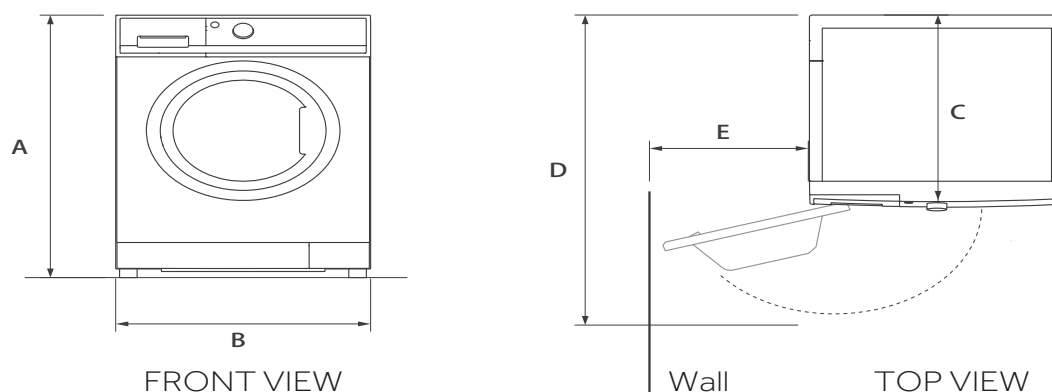
### Warm tip:

Noise reduction pad is optional, could help to reduce noise, please assemble it or not according to your own demand.

### 11.1 Additional technical data

	HW100	HW90	HW80	HW70
Voltage in V	220-240 V~/50Hz			
Current in A	10			
Max. power in W	2000			
Water pressure in MPa	0.03≤P ≤1			
Netto weight in kg	74	74	72	64

### 11.2 Product dimensions



PRODUCT DIMENSIONS	HW100	HW90	HW80	HW70
A Overall height of product mm	850	850	850	850
B Overall width of product mm	595	595	595	595
C Overall depth of product (To main control board size) mm	600	600	550	460
D Depth of door open mm	1100	1100	1050	960
E Minimum door clearance to adjacent wall mm	400	400	400	400

Note: The exact height of your washer is dependent on how far the feet are extended from the base of the machine. The space where you install your washer needs to be at least 40mm wider and 20mm deeper than its dimensions.

### 11.3 Standards and Directives

This product meets the requirements of all applicable EC directives with the corresponding harmonised standards, which provide for CE marking.

We recommend our Haier Customer Service and the use of original spare parts.  
If you have a problem with your appliance, please first check section TROUBLESHOOTING.

If you cannot find a solution there, please contact :

- ▶ your local dealer.
- ▶ the Service & Support area at [www.haier.com](http://www.haier.com) where you can find telephone numbers and FAQs and where you can activate the service claim.

To contact our Service, ensure that you have the following data available.  
The information can be found on the rating plate.

Model \_\_\_\_\_ Serial No. \_\_\_\_\_

Also check the Warranty Card supplied with the product in case of warranty.

For general business enquiries please find below our addresses in Europe:

<b>European Haier addresses</b>			
<b>Country*</b>	<b>Postal address</b>	<b>Country*</b>	<b>Postal address</b>
<b>Italy</b>	Haier Europe Trading SRL Via De Cristoforis, 12 21100 Varese ITALY	<b>France</b>	Haier France SAS 3-5 rue des Graviers 92200 Neuilly sur Seine FRANCE
<b>Spain Portugal</b>	Haier Iberia SL Pg. Garcia Faria, 49-51 08019 Barcelona SPAIN	<b>Belgium-FR Belgium-NL Netherlands Luxembourg</b>	Haier Benelux SA Anderlecht Route de Lennik 451 BELGIUM
<b>Germany Austria</b>	Haier Deutschland GmbH Hewlett-Packard-Str. 4 D-61352 Bad Homburg GERMANY	<b>Poland Czechia Hungary Greece Romania Russia</b>	Haier Poland Sp. zo.o. Al. Jerozolimskie 181B 02-222 Warszawa POLAND
<b>United Kingdom</b>	Haier Appliances UK Co.Ltd. One Crown Square Church Street East Woking, Surrey, GU21 6HR UK		

\*For more information please refer to [www.haier.com](http://www.haier.com)





**Haier**





Manuale dell'utente  
Lavatrice

HW70-B12CIN

HW80-B14CIN

HW90-B14CIN

HW100-B14CIN

IT

**Haier**

## Vi ringraziamo per aver deciso di acquistare un prodotto Haier.

Vi invitiamo a leggere attentamente queste istruzioni prima di iniziare a usare il dispositivo. Le istruzioni contengono informazioni importanti che vi aiuteranno a trarre il meglio da questo dispositivo e vi garantiranno altresì sicurezza in fase di installazione, uso e manutenzione del dispositivo.

Conservare questo manuale in un luogo pratico, di modo da poterlo sempre consultare e garantire un utilizzo sicuro e adeguato del dispositivo.

Qualora il dispositivo venga venduto, ceduto o lasciato nella vecchia abitazione in fase di trasferimento, accertarsi sempre di lasciare anche il manuale, di modo che il nuovo proprietario possa acquisire familiarità col dispositivo e con le relative avvertenze di sicurezza.

### Legenda



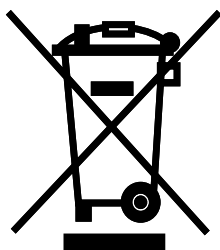
Avvertenza - Informazioni importanti per la sicurezza



Informazioni e suggerimenti generali



Informazioni ambientali



### Smaltimento

Contribuire alla protezione dell'ambiente e alla salute umana. Collocare l'imballaggio in contenitori adeguati per poterlo riciclare. Contribuire al riciclaggio dei rifiuti provenienti da dispositivi elettrici ed elettronici. Non smaltire i dispositivi recanti questo simbolo con i normali rifiuti domestici. Riportare il prodotto presso la struttura di riciclaggio locale o contattare il proprio ufficio municipale competente in merito.



## AVVERTENZA!

### Rischio di lesione o soffocamento!

Scollegare il dispositivo dalla presa di corrente. Staccare il cavo di rete e smaltirlo. Togliere il blocco dell'oblò per evitare che bambini e animali restino bloccati all'interno dell'apparecchiatura stessa.

1-Informazioni di sicurezza .....	4
2-Descrizione del prodotto.....	7
3-Pannello di controllo.....	8
4-Programmi.....	11
5-Consumo .....	12
6-Usò quotidiano.....	13
7-Lavaggio eco.....	18
8-Manutenzione e pulizia.....	19
9-Guida alla risoluzione dei problemi.....	22
10-Installazione.....	26
11-Dati tecnici .....	30
12-Assistenza clienti.....	31

**Prima di accendere il dispositivo per la prima volta, leggere i seguenti suggerimenti di sicurezza:**



## **AVVERTENZA!**

### **Prima di iniziare a usare il dispositivo**

- ▶ Verificare che non vi siano danni verificatisi in fase di trasporto.
- ▶ Verificare che siano stati rimossi tutti i bulloni usati in fase di trasporto.
- ▶ Rimuovere completamente l'imballaggio e tenere fuori dalla portata dei bambini.
- ▶ Spostare sempre il dispositivo in due persone, dato che è molto pesante.

### **Uso quotidiano**

- ▶ Questa apparecchiatura può essere usata da bambini a partire dagli 8 anni di età ed oltre e da persone con ridotte capacità fisiche, sensoriali o mentali o con scarsa esperienza o conoscenza sull'uso dell'apparecchiatura, solamente se sorvegliati o se sono stati istruiti relativamente all'uso sicuro dell'apparecchiatura stessa e se ne hanno compreso i rischi.
- ▶ Tenere i bambini di età inferiore ai 3 anni lontano dal dispositivo a meno che non siano sotto costante supervisione.
- ▶ I bambini non devono giocare con l'apparecchiatura.
- ▶ Evitare che bambini e animali si avvicinino all'apparecchiatura mentre l'oblò è aperto.
- ▶ Riporre gli agenti detergenti fuori dalla portata dei bambini.
- ▶ Chiudere le cerniere, riparare i fili allentati e fare attenzione agli oggetti di piccole dimensioni per evitare che il bucato si impigli all'interno. Ove necessario, servirsi di una borsa o di una retina adeguata.
- ▶ Non toccare o usare l'apparecchiatura quando ci si trova a piedi scalzi oppure quando si hanno mani o piedi umidi.
- ▶ Non coprire o ricoprire l'apparecchiatura in fase di funzionamento o subito dopo per consentire all'umidità o al bagnato di evaporare.
- ▶ Non posizionare oggetti pesanti o fonti di calore o oggetti umidi sopra all'apparecchiatura.
- ▶ Non usare o conservare detergenti infiammabili o agenti detergenti asciutti nelle immediate vicinanze dell'apparecchiatura.
- ▶ Non usare spray infiammabili nelle immediate vicinanze dell'apparecchiatura.
- ▶ Non lavare indumenti trattati con solventi all'interno dell'apparecchiatura senza averli prima asciugati all'aria.



## AVVERTENZA!

### Uso quotidiano

- ▶ Non togliere o inserire la spina in presenza di gas infiammabili
- ▶ Non lavare a caldo materiali in gomma schiumosa o materiali simili alla spugna.
- ▶ Non lavare bucato sporco di farina.
- ▶ Non aprire il cassetto del detergente durante il ciclo di lavaggio.
- ▶ Non toccare l'oblò durante il processo di lavaggio: si potrebbe surriscaldare.
- ▶ Non aprire l'oblò se il livello dell'acqua è visibilmente al di sopra della finestrella dell'oblò.
- ▶ Non forzare l'apertura dell'oblò. L'oblò è dotato di un dispositivo di auto-blocco e si apre poco dopo il termine della procedura di lavaggio.
- ▶ Spegnerne l'apparecchiatura dopo ogni programma di lavaggio e prima di intraprendere eventuali interventi di manutenzione routinaria, quindi scollegare l'apparecchiatura dalla sorgente di alimentazione elettrica per risparmiare elettricità oltre che a fini di sicurezza.
- ▶ Tenere la presa e non il cavo in fase di scollegamento del dispositivo.

### Manutenzione / pulizia

- ▶ Verificare che i bambini siano supervisionati se eseguono operazioni di pulizia e manutenzione.
- ▶ Scollegare il dispositivo dall'alimentazione elettrica prima di intraprendere qualsiasi intervento di manutenzione.
- ▶ Tenere pulita la parte bassa dell'oblò, quindi pulire l'oblò e il cassetto del detergente qualora il dispositivo non sia in uso al fine di evitare i cattivi odori.
- ▶ Non usare acqua spray o vapore per pulire il dispositivo.
- ▶ Sostituire un cavo danneggiato unicamente rivolgendosi al produttore, al suo agente di servizio o a persone debitamente qualificate per evitare di correre inutili rischi.
- ▶ Non cercare di riparare l'apparecchiatura da soli. In caso di riparazioni rimandiamo al nostro centro assistenza clienti.

### Installazione

- ▶ L'apparecchiatura dovrebbe essere collocata in un luogo ben ventilato. Posizionare l'apparecchiatura in una zona in cui sia possibile aprire completamente l'oblò.
- ▶ Non installare mai l'apparecchiatura all'esterno, in un luogo umido o in zone che potrebbero essere soggette a perdite d'acqua come ad esempio vicino a un lavandino o sotto allo stesso. In caso di perdite di acqua, togliere la corrente e lasciare che la macchina si asciughi in modo naturale.



## AVVERTENZA!

### Installazione

- ▶ Installare o usare l'apparecchiatura solo quando la temperatura è superiore ai 5 °C.
- ▶ Non mettere l'apparecchiatura direttamente sul tappeto o vicino a una parete o a mobili.
- ▶ Non installare il dispositivo direttamente esposto alla luce del sole o vicino a sorgenti di alimentazione (ad esempio: stufe, riscaldatori).
- ▶ Verificare che le informazioni elettriche sulla targhetta elettrica siano in linea con l'alimentazione disponibile. In caso contrario, contattare un elettricista.
- ▶ Non usare ciabatte e prolunghe.
- ▶ Verificare di utilizzare unicamente il cavo elettrico e il tubo forniti in dotazione.
- ▶ Verificare di non danneggiare il cavo elettrico e la presa. Qualora siano danneggiati, rivolgersi a un elettricista per effettuare la sostituzione.
- ▶ Servirsi di una presa con messa a terra separata per l'alimentazione che sia facilmente accessibile dopo l'installazione. L'apparecchiatura deve disporre di una messa a terra.
- ▶ Verificare che i giunti e i connettori del tubo siano saldamente fissati e che non vi siano perdite.

### Uso previsto

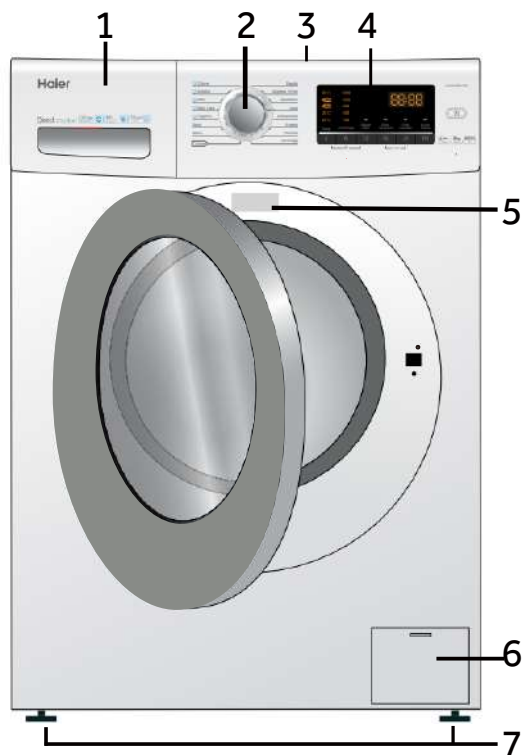
Questa apparecchiatura è stata pensata per lavare unicamente capi che possono essere lavati in lavatrice. Attenersi sempre alle istruzioni fornite sull'etichetta di ogni indumento. L'apparecchiatura è stata progettata unicamente per un uso domestico in casa. Non è stata pensata per un uso di tipo commerciale o industriale.

Non sono ammesse modifiche o trasformazioni all'apparecchiatura. Un uso senza interruzioni potrebbe causare pericoli e perdita del servizio di copertura della garanzia, esponendo l'utente a responsabilità.

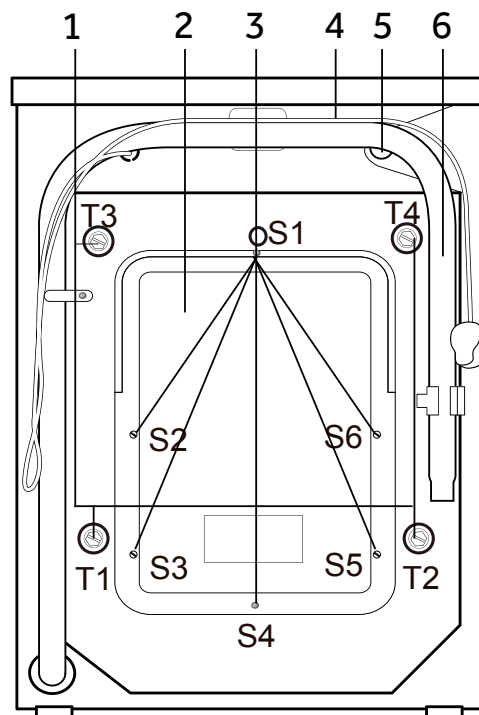
### **i** Nota:

A causa di modifiche tecniche e modelli diversi, le illustrazioni nei seguenti capitoli potrebbero differire rispetto al modello attuale.

## 2.1 Immagine dell'apparecchiatura



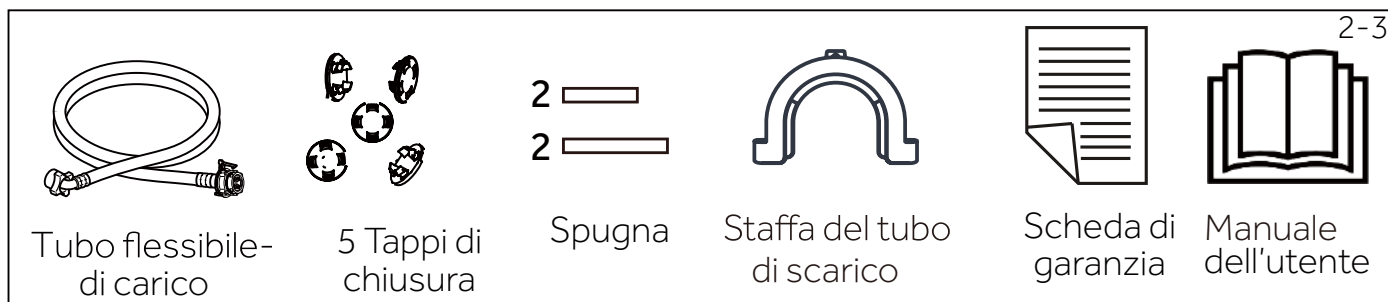
1. Cassetto detersivo / Ammorbidente
2. Selettore del programma
3. Piano di lavoro
4. Display
5. Targhetta
6. Aletta di servizio
7. Piedini regolabili



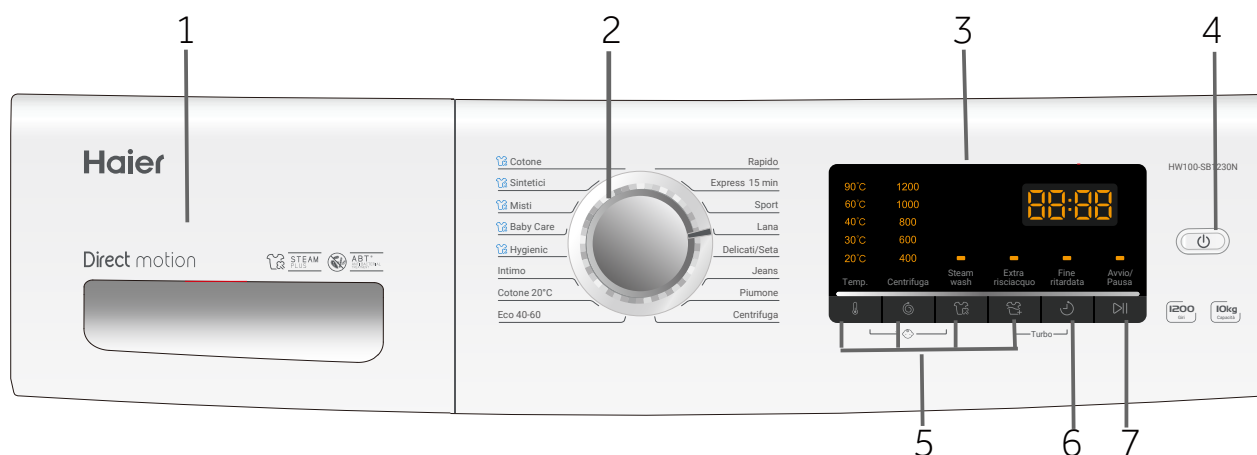
1. Bulloni di trasporto (T1-T4)
2. Coperchio posteriore
3. Viti del coperchio posteriore (S1-S6)
4. Cavo di alimentazione
5. Valvola di ingresso dell'acqua
6. Tubo di scarico

## 2.2 Accessori

Controllare gli accessori e la documentazione conformemente al presente elenco (Fig.: 2-3).



3



1 Cassetto detersivo /  
Ammorbidente

3 Display

5 Pulsanti funzione

2 Selettore del programma

4 Pulsante "On/Off"

6 Pulsante "Fine ritardata"

7 Pulsante "Avvio/Pausa"

## Nota: Segnale acustico

Nei seguenti casi viene emesso un segnale acustico:

- ▶ quando viene premuto un pulsante
- ▶ quando viene girato il selettore programma
- ▶ al termine del programma
- ▶ in caso di guasti

Il segnale acustico può essere deselezionato ove necessario: cfr. USO QUOTIDIANO.

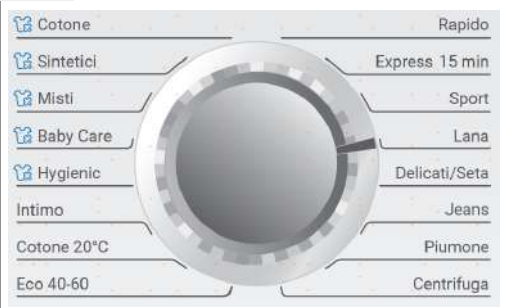
3-1



### 3.1 Pulsante "On/Off"

Premere delicatamente questo pulsante (Fig. 3-1) per eseguire l'accensione; il display si accende e anche l'indicatore del pulsante Avvio/pausa lampeggia. Premerlo nuovamente per 2 secondi per spegnere. Qualora nessun elemento del pannello o programma venga attivato dopo un po' di tempo la macchina si spegnerà automaticamente.

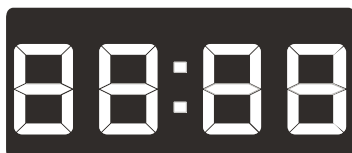
3-2



### 3.2 Selettore programma

Ruotando la manopola (Fig. 3-2) sarà possibile selezionare uno dei 16 programmi.

3-3



### 3.3 Display

Il display (Fig. 3-3) mostra le seguenti informazioni:

- ▶ Tempo di lavaggio
- ▶ Tempo di ritardo con l'opzione fine ritardata
- ▶ Codici di errore e informazioni di servizio




### 3.4 Cassetto del detersivo

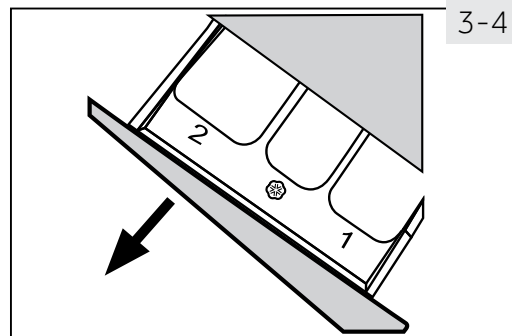
Aprire il cassetto, si vedono tre scomparti (Fig. 3-4):

Scomparto 1: Solo ingresso acqua, no detersivo

Scomparto 2: Detersivo per il programma

Scomparto  : Ammorbidente, agenti condizionanti, ecc.

Per consigli sul tipo di detersivo adatto alle varie temperature di lavaggio rimandiamo al manuale del detersivo.



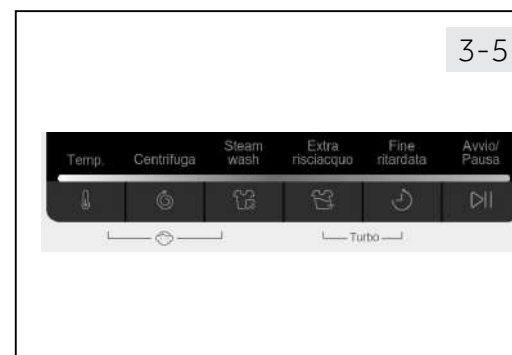
### 3.5 Pulsanti funzione

I pulsanti funzione (Fig. 3-5) consentono di eseguire ulteriori operazioni. Le varie funzioni vanno attivate dopo la selezione del programma e prima dell'avvio del ciclo di lavaggio. Vengono visualizzati i relativi indicatori.

Spegnendo l'apparecchiatura o impostando un nuovo programma vengono disattivate tutte le opzioni.

Qualora un pulsante abbia diverse opzioni, sarà possibile selezionare l'opzione desiderata premendo il pulsante in sequenza.

Per eliminare l'impostazione premere il pulsante funzione fino a che le spie LED - oppure in caso di una sola opzione - la spia LED si spegne.

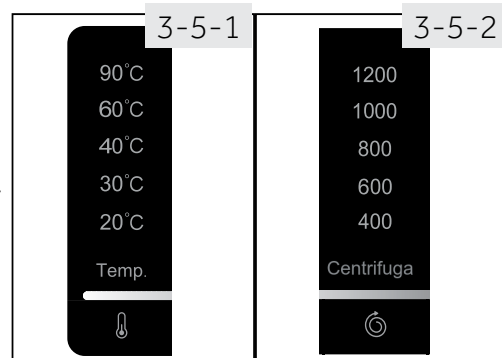


#### Nota: Impostazioni di fabbrica

Per ottenere i risultati migliori in ogni lavaggio, Haier ha definito in modo corretto diverse impostazioni predefinite. Qualora non vi siano requisiti speciali vengono consigliate le impostazioni predefinite.

#### 3.5.1-Pulsante funzione "Temp."

Premere questo pulsante (Fig. 3-5-1) per modificare la temperatura di lavaggio del programma. Qualora non si illumini nessun valore l'acqua non verrà riscaldata. Congiuntamente al pulsante "Steam wash", la funzione di blocco bambini può essere accesa/spenta (cfr. BLOCCO BAMBINI).



#### 3.5.2-Pulsante funzione "Centrifuga"

Premere questo pulsante (Fig. 3-5-2) per modificare o deselezionare la centrifuga del programma. Qualora nessun valore si illumini il bucato non verrà sottoposto a centrifuga.

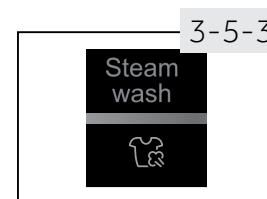
#### 3.5.3-Tasto funzione "Steam wash"

Premere questo pulsante (Fig. 3-5-3) per **attivare la** funzione vapore. Quando la funzione vapore è attivata, la temperatura predefinita è la temperatura massima del programma selezionato.

Questa funzione può essere attivata solo con i seguenti programmi: Hygienic, Baby Care, Misti, Sintetici, Cotone.

Quando la funzione è attivata, il led sopra il pulsante si accenderà.

Premendo di nuovo questo pulsante, la funzione può essere disattivata e il LED si spegne.



Quando la funzione è attivata, la temperatura del programma non può essere modificata. Se viene premuto il pulsante "Temp.", la funzione "Steam Wash" verrà disattivata. È possibile attivare la funzione "Steam Wash" solo prima di avviare qualsiasi programma. Non è possibile attivare la funzione "Steam Wash" mentre l'apparecchio sta già eseguendo un programma.

3-5-4



### 3.5.4 Pulsante funzione "Extra risciacquo"

Premere questo pulsante (Fig. 3-5-4) per risciacquare il bucato più intensamente con acqua fresca. Questa opzione è particolarmente consigliata per le persone con una pelle sensibile.

Premendo il pulsante diverse volte sarà possibile selezionare da uno a tre cicli aggiuntivi. Compaiono sul display con *P-- 1/P-- 2/P-- 3*.

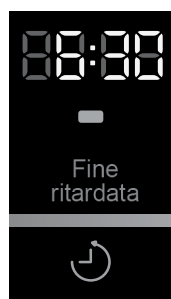
3-5-5



### 3.5.5 Funzione "Turbo"

Questa funzione consente di risparmiare tempo ed energia. Opzione preferibile se il bucato è leggermente sporco. Premere contemporaneamente il pulsante "Extra risciacquo" e "Fine ritardata" (Fig. 3-5-5) per circa 3 secondi per attivare la funzione "Turbo"; viene visualizzato *SPEED UP*. Questa funzione non è disponibile in tutti i programmi (cfr. PROGRAMMI).

3-6



### 3.6 Pulsante "Fine ritardata"

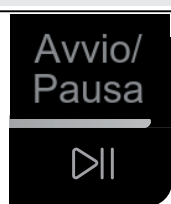
Premere questo pulsante (Fig. 3-6) per posticipare la fine di un programma. La fine del lavaggio può essere differita a scaglioni di 30 minuti, da 0,5-24 ore. Ad esempio, display off *6:30* significa che la fine del ciclo del programma sarà dopo 6 ore e 30 minuti. Premere il pulsante "Avvio/Pausa" per attivare l'opzione fine ritardata. Non è applicabile al programma Centrifuga.



## Nota: Detersivo liquido

Qualora si usi detersivo liquido, consigliamo di non attivare la funzione fine ritardata.

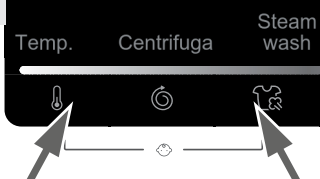
3-7



### 3.7 Pulsante "Avvio/Pausa"

Premere questo pulsante (Fig. 3-7) delicatamente per avviare o interrompere il programma attualmente in fase di visualizzazione. In fase di impostazione del programma e quando un programma viene interrotto, il LED sul pulsante lampeggia.

3-8-1



### 3.8 Blocco bambini

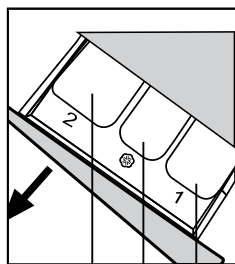
Premere il pulsante "Temp." e "Steam wash" (Fig. 3-8-1) per 3 secondi contemporaneamente per bloccare tutti gli elementi del pannello e impedirne l'attivazione. Per lo sblocco premere nuovamente i due pulsanti.

3-8-2



Se viene premuto un pulsante il display mostra *CLrd* (Fig. 3-8-2) quando è attivo il blocco bambini. Di conseguenza, la variazione non funziona.

◦ Opzionale, / No



Scomparto detergente per:

- 1 Solo ingresso acqua, **no detersivo**
- 2 Detersivo
- 3 Ammorbidente o prodotto per la cura degli indumenti

Programma	Carico massimo in kg <sup>1)</sup>  HW100/90/80/70 -B..CIN..	Temperatura in °C <sup>2)</sup>  gamma selezio- nabile	Temp. prede- finita	Scomparto detergente per:			Tipo di fibra	Velocità centrifuga preimpo- stata in giri/min  HW...-B14/12..	Funzione		
				2	3	1			Steam wash	Extra risciacquo	Turbo
Cotone	10/9/8/7	* fino a 90 <sup>3)</sup>	40	◦	◦	/	Cotone	1400/1200	◦	◦	◦
Sintetici	5/4.5/4/3.5	* fino a 60	40	◦	◦	/	Tessuti sintetici o misti	1200	◦	◦	◦
Misti	10/9/8/7	* fino a 60	30	◦	◦	/	Bucato misto, legger- mente sporco, cotone e capi sintetici	1000	◦	◦	◦
Baby Care	5/4.5/4/3.5	* fino a 90	40	◦	◦	/	Cotone / Sintetici	1000	◦	◦	◦
Hygienic	5/4.5/4/3.5	90	90	◦	◦	/	Cotone	1000	◦	◦	/
Intimo	5/4.5/4/3.5	* fino a 60	40	◦	◦	/	Tessuti in cotone	1000	/	◦	◦
Cotone 20°C	10/9/8/7	20	20	◦	◦	/	Bucato contrassegna- to col simbolo per il lavaggio a mano	1400/1200	/	◦	◦
Eco 40-60	10/9/8/7	/	/	◦	◦	/	Cotone	/	/	/	/
Rapido <sup>4)</sup>	5/4.5/4/3.5	* fino a 40	40	◦	◦	/	Bucato leggermente sporco, in cotone o con tessuti sintetici	1000	/	◦	/
Express 15 min	2.5/2/2/1	* fino a 40	*	◦	◦	/	Cotone / Sintetici	1000	/	◦	/
Sport	5/4.5/4/3.5	* fino a 40	20	◦	◦	/	Indumenti sportivi	800	/	◦	/
Lana	2.5/2/2/1	* fino a 40	*	◦	/	/	Tessuti lavabili a macchina, in lana o con	800	/	◦	/
Delicati/Seta	2.5/2/2/1	* fino a 30	30	◦	/	/	contenuto di lana Bucato delicato e seta	400	/	◦	/
Jeans	5/4.5/4/3.5	* fino a 60	30	◦	◦	/	Cotone	1000	/	◦	◦
Piumone	2.5/2/2/1	* fino a 40	40	◦	/	/	piumone	800	/	◦	◦
Centrifuga	10/9/8/7	/	/	/	/	/	tutti i tessuti	1000	/	/	/

<sup>1)</sup> Relativamente al bucato asciutto.

<sup>2)</sup> \*: acqua fredda, l'acqua non viene riscaldata e non si illumina nessun valore.

<sup>3)</sup> Scegliere una temperatura di lavaggio 90 °C solo per particolari requisiti igienici.

<sup>4)</sup> Ridurre il quantitativo di detersivo in quanto la durata del programma è breve.

Scansiona il QR code sull'etichetta energetica per informazioni sul consumo di energia. Il consumo effettivo di energia può differire da quello dichiarato in base alle condizioni locali.

Programma EU1015 / 2010

Selezionare "Eco 40-60", premere "Centrifuga" per 10s, quindi regolare a 60 ° C / 40 ° C con max. velocità di centrifuga.

I programmi standard "Eco 40-60" e "Cotone 20°C" sono adatti per la pulizia del bucato in cotone con un livello di sporco normale. Sono i programmi più efficienti in termini di combinazione di consumo di energia e di acqua per il bucato in cotone. La temperatura effettiva dell'acqua potrebbe differire dalla temperatura dichiarata del ciclo.



## Nota: Auto Weight

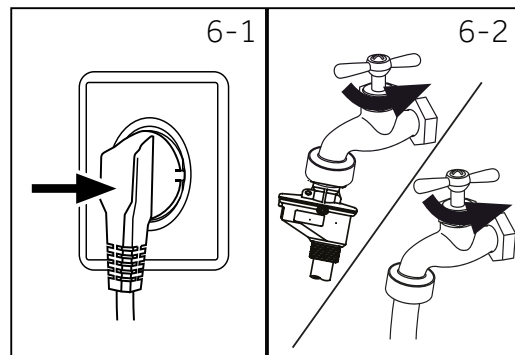
L'apparecchio è dotato del riconoscimento di carico. In alcuni programmi, a basso carico, energia, acqua e tempo di lavaggio si riducono automaticamente. Il display mostra **AUTO**.

## 6.1 Alimentazione

Collegare la lavatrice a una sorgente di alimentazione (da 220V a 240V~/50Hz; Fig. 6-1). Rimandiamo inoltre alla sezione INSTALLAZIONE.

## 6.2 Collegamento acqua

- ▶ Prima di eseguire il collegamento controllare la pulizia e verificare che l'ingresso dell'acqua non sia ostruito.
- ▶ Aprire il rubinetto (Fig.6-2).

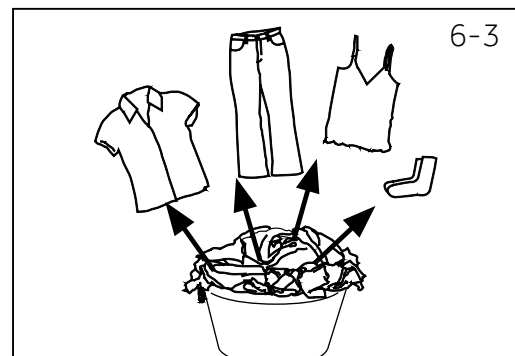


### **i** Nota: Ermeticità

Prima dell'uso controllare la presenza di perdite nei giunti fra il rubinetto e il tubo di ingresso attivando il rubinetto.

## 6.3 Preparazione del bucato

- ▶ Ordinare gli indumenti a seconda del tessuto (cotone, sintetici, lana o seta) e a seconda del livello di sporco (Fig. 6-3). Prestare attenzione alle etichette sugli indumenti che forniscono indicazioni a livello di lavaggio.
- ▶ Separare gli indumenti bianchi da quelli colorati. Lavare prima a mano gli indumenti colorati per verificare che non perdano colore o si rovinino.
- ▶ Svuotare le tasche (chiavi, monete, ecc.) e togliere gli oggetti decorativi più duri (ad esempio spille).
- ▶ Gli indumenti senza orli, i capi delicati e i tessuti delicati come ad esempio le tende sottili, vanno messi in un apposito sacchetto pensato per questa tipologia di indumenti (il lavaggio a mano o il lavaggio a secco sarebbero due opzioni migliori).
- ▶ Chiudere cerniere, chiusure in velcro e gancetti, verificare che i bottoni siano saldamente cuciti.
- ▶ Mettere i capi più particolari, ad esempio quelli senza orlo, oppure quelli delicati (intimo) e quelli piccoli come ad esempio calzini, cinghie, reggiseni, ecc. all'interno di un sacchetto da lavaggio.
- ▶ Srotolare i pezzi più grandi di tessuto quali ad esempio lenzuola, copriletto, ecc.
- ▶ Capovolgere i jeans, i tessuti stampati, decorati o particolarmente carichi di colore; se possibile, lavare separatamente.



### ATTENZIONE!

Gli articoli non in tessuto, come anche quelli piccoli, sfilacciati o con estremità appuntite potrebbero causare anomalie di funzionamento e danni sia agli indumenti che alle apparecchiature.

## Tabella per prendersi cura degli indumenti

Lavaggio		
 Lavabile fino a 95°C lavaggio normale	 Lavabile fino a 60°C lavaggio normale	 Lavabile fino a 60°C lavaggio delicato
 Lavabile fino a 40°C lavaggio normale	 Lavabile fino a 40°C lavaggio delicato	 Lavabile fino a 40°C lavaggio molto delicato
 Lavabile fino a 30°C lavaggio normale	 Lavabile fino a 30°C lavaggio delicato	 Lavabile fino a 30°C lavaggio molto delicato
 Lavaggio a mano max. 40°C	 Non lavare	
Candeggio		
 Qualsiasi candeggiante è consentito	 Solo ossigeno/ non -cloro	 Non candeggiare
Asciugatura		
 Asciugare normalmente in asciugatrice	 Asciugare in asciugatrice con il programma delicato	 Non asciugare in asciugatrice
 Asciugatura su filo da bucato	 Asciugatura in piano	
Stiro		
 Stirare a una temperatura massima di 200 °C	 Stirare a una temperatura massima 150°C	 Stirare a una temperatura bassa massima di 110 °C; senza vapore (lo stiro a vapore potrebbe causare danni irreversibili)
 Non stirare		
Cura professionale per vostri tessuti		
 Lavaggio a secco con tetracloroetene	 Lavaggio a secco con idrocarburi	 Non lavare a secco
 Lavaggio a secco professionale	 Non eseguire lavaggio a secco professionale	

## 6.4 Caricamento dell'apparecchiatura

- ▶ Inserire il bucato, un pezzo alla volta
- ▶ Non sovraccaricare. Si prega di notare che il carico massimo varia a seconda dei programmi! Regola per il carico massimo: Lasciare uno spazio libero di quindici cm circa fra il carico e la parte superiore del cestello.
- ▶ Chiudere l'oblò facendo attenzione. Verificare che non vi siano degli indumenti che ostruiscono.

## 6.5 Selezionare il detersivo

- ▶ L'efficacia e le performance di lavaggio sono determinate dalla qualità del detersivo usato.
- ▶ Servirsi unicamente di detersivi approvati per essere usati all'interno di lavatrici.
- ▶ Ove necessario, servirsi di detersivi specifici, ad esempio per indumenti sintetici e in lana.
- ▶ Attenersi sempre alle indicazioni fornite dal produttore del detersivo.
- ▶ Non usare agenti detersivi secchi come ad esempio tricloroetilene e prodotti simili.

## Scegliere il detersivo migliore

Programma	Tipo di detersivo				
	Quotidiano	Colore	Delicati	Speciale	Ammorbidente
Cotone	L/P	L/P	-	-	o
Sintetici	-	-	L/P	-	o
Misti	L/P	L/P	-	-	o
Baby Care	L/P	L/P	-	-	o
Hygienic	L/P	L/P	L	-	o
Intimo	L/P	L/P	-	-	o
Cotone 20°C	L/P	L/P	-	-	o
Eco 40-60	L/P	L/P	-	-	o
Rapido	L/P	L/P	-	-	o
Express 15 min	L	L	-	-	o
Sport	-	-	-	L	o
Lana	-	-	L/P	L/P	-
Delicati/Seta	-	-	-	L/P	-
Jeans	L/P	L/P	L	-	o
Piumone	-	-	L	L/P	-

L = detersivo gel-/liquido P = detersivo in polvere O = opzionale - = no  
Qualora si usi detersivo liquido, consigliamo di non attivare l'opzione fine ritardata.

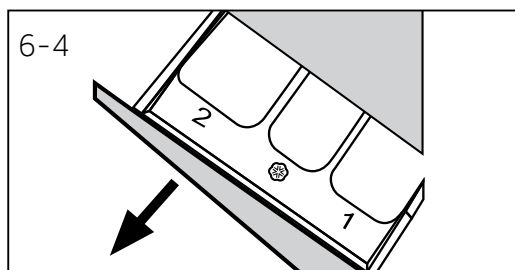
Consigliamo di usare:

- ▶ Polvere per il bucato: da 20°C a 90°C\* (miglior utilizzo: 40-60°C)
- ▶ Detersivo per i colori: da 20°C a 60°C (miglior utilizzo: 30-60°C)
- ▶ Detersivo Lana/delicati: da 20°C a 30°C (= miglior uso:)

\* Scegliere una temperatura di lavaggio 90°C solo per particolari requisiti igienici.

\* Si consiglia di utilizzare detersivi e additivi poco schiumosi.



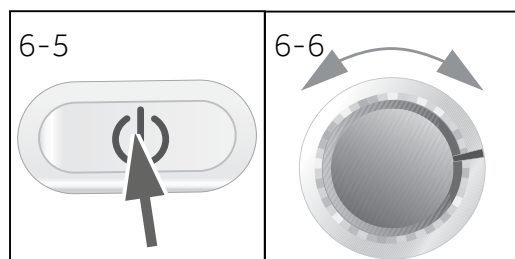


## 6.6 Aggiunta di detersivo

1. Far fuoriuscire il cassetto del detersivo.
2. Mettere le sostanze chimiche necessarie all'interno degli scomparti corrispondenti (Fig. 6-4)
3. Spingere nuovamente all'interno il cassetto.

### **i** Nota:

- ▶ Togliere i residui di detersivo prima del ciclo di lavaggio successivo dal cassetto del detersivo.
- ▶ Non usare in modo eccessivo detersivi o ammorbidenti.
- ▶ Attenersi alle istruzioni fornite sulla confezione del detersivo.
- ▶ Riempire sempre con detersivo prima dell'inizio del ciclo di lavaggio.
- ▶ Il detersivo liquido concentrato dovrebbe essere diluito prima di essere aggiunto nello scomparto 2.
- ▶ L'uso migliore per il detersivo liquido prevede di usare una palla di dosaggio, messa insieme al bucato all'interno della lavatrice.
- ▶ Non usare detersivi liquidi se viene selezionata l'opzione "fine ritardata".
- ▶ Scegliere con attenzione le impostazioni del programma a seconda dei simboli sulle etichette del bucato e conformemente alla tabella programma.



## 6.7 Accendere l'apparecchiatura

Premere il pulsante "On/Off" - per accendere l'apparecchiatura (Fig. 6-5). Il LED del pulsante "Avvio/Pausa" lampeggia.

## 6.8 Selezionare un programma

Per ottenere risultati di lavaggio impeccabili, selezionare un programma che si adatti al livello di sporco, e al tipo di bucato.

Ruotare la manopola del programma (Fig. 6-6) per selezionare il programma giusto.

### **i** Nota: Rimozione odori

Prima di iniziare a usare il dispositivo consigliamo di usare il programma HYGIENIC senza carico e un po' di detersivo nello scomparto del detersivo (2) oppure un detersivo particolare per togliere i residui che potrebbero causare danni.



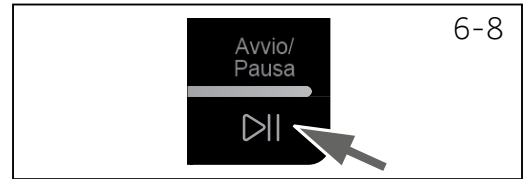
## 6.9 Aggiungere singole opzioni

Selezionare le opzioni e le impostazioni richieste (Fig. 6-7); rimandiamo al PANNELLO DI CONTROLLO.



### 6.10 Avviare il programma di lavaggio

Premere il pulsante "Avvio/Pausa" (Fig. 6-8) per avviare. Il LED del pulsante "Avvio/Pausa" smette di lampeggiare e resta acceso fisso. L'apparecchiatura opera conformemente alle impostazioni attuali. Le modifiche sono possibili solo annullando il programma.



### 6.11 Interrompere - annullare il programma di lavaggio

Per interrompere un programma in funzione premere delicatamente il pulsante "Avvio/Pausa". Il LED sopra al pulsante lampeggia. Premerlo nuovamente per riprendere il funzionamento.

Per annullare un programma di lavaggio e tutte le sue opzioni

1. Premere il pulsante "Avvio / Pausa" per interrompere il programma in funzione.
2. Premere il pulsante "On/Off" per circa 2 secondi per spegnere l'apparecchiatura.
3. Eseguire il programma CENTRIFUGA e selezionare "no Speed" (tutte le spie sono spente) per scaricare l'acqua.
4. Selezionare un nuovo programma, quindi avviarlo.

#### Nota: Blocco oblò

- ▶ Per ragioni di sicurezza l'oblò della lavatrice viene di norma parzialmente bloccato durante il ciclo di lavaggio. Sarà possibile aprire l'oblò solo alla fine del programma o dopo aver annullato correttamente il programma (cfr. descrizione più sopra).
- ▶ In caso di elevato livello dell'acqua, temperatura dell'acqua elevata e in fase di centrifuga non sarà possibile aprire l'oblò; viene visualizzato il simbolo **Lock**.

### 6.12 Dopo il lavaggio

1. Alla fine del ciclo del programma viene visualizzata la dicitura **End**.
2. L'apparecchiatura si spegne automaticamente.
3. Togliere il bucato non appena possibile in modo delicato, evitando così che si increspi ulteriormente.
4. Chiudere l'alimentazione di acqua.
5. Togliere il cavo di alimentazione.
6. Aprire l'oblò per evitare la formazione di umidità e cattivi odori. Lasciarlo aperto mentre l'apparecchiatura non è in funzione.

#### Nota: Modalità Standby / Modalità di risparmio energetico

L'apparecchiatura accesa passa in modalità standby se non viene attivata entro 2 minuti prima dell'avvio del programma oppure al termine del programma stesso. Il display si spegne. Ciò consente di risparmiare energia. Per interrompere la modalità standby premere il pulsante "ON/OFF".

### 6.13 Attivare o disattivare il segnale acustico

Il segnale acustico può essere disattivato ove necessario:

1. Accendere l'apparecchiatura.
2. Selezionare il programma CENTRIFUGA.
3. Premere contemporaneamente il pulsante "Steam wash" e il pulsante "Extra risciacquo", quindi tenerli premuti per circa 3 secondi. **"bEEP OFF"** viene visualizzato e il segnale acustico viene disattivato.

Per attivare il segnale acustico premere nuovamente questi due pulsanti. **"bEEP On"** viene visualizzato.



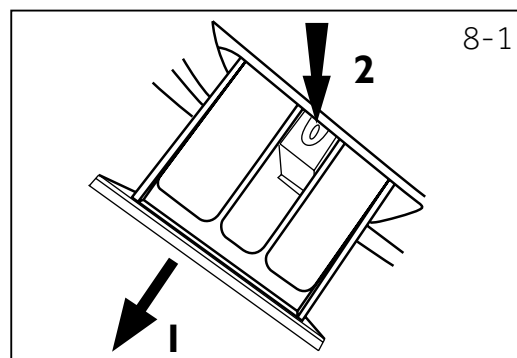
### Uso rispettoso nei confronti dell'ambiente

- ▶ Per sfruttare al meglio l'energia, l'acqua, il detergente e il tempo consigliamo di attenersi alle indicazioni relativamente al carico massimo.
- ▶ Non sovraccaricare (lasciare lo spazio di una mano sopra al bucato).
- ▶ Per indumenti leggermente sporchi, selezionare il programma di Lavaggio Rapido.
- ▶ Applicare dosaggi esatti per ogni lavaggio.
- ▶ Scegliere la temperatura di lavaggio adeguata più bassa possibile - i detergenti moderni sono già efficaci a temperature inferiori ai 60°C.
- ▶ Alzare i valori predefiniti solo in caso di elevato livello di sporco.
- ▶ Selezionare la velocità di centrifuga massima qualora venga utilizzata un'asciugatrice domestica.

### 8.1 Pulizia del cassetto detersivo

Verificare sempre che non vi siano residui di detersivo. Pulire il cassetto a intervalli regolari (Fig. 8-1):

1. Estrarre il cassetto fino a che non si ferma.
2. Premere il pulsante di rilascio (2), quindi rimuovere il cassetto.
3. Lavare il cassetto con acqua fino a che non sarà pulito, quindi reinserire il cassetto nell'apparecchiatura.



### 8.2 Pulizia dell'apparecchiatura

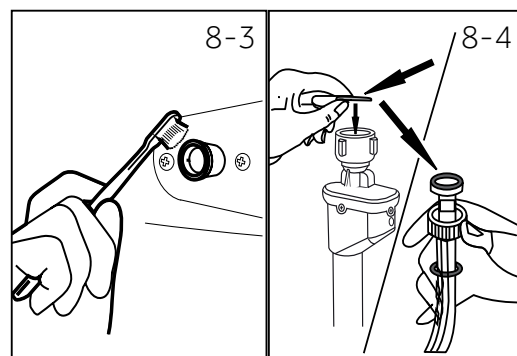
- ▶ Scollegare la macchina durante le operazioni di pulizia e manutenzione.
- ▶ Servirsi di un panno morbido con un detergente liquido per pulire l'alloggiamento della macchina (Fig. 8-2) e le componenti in gomma.
- ▶ Non usare agenti chimici organici o solventi corrosivi.



### 8.3 Valvola di ingresso dell'acqua e filtro della valvola di ingresso

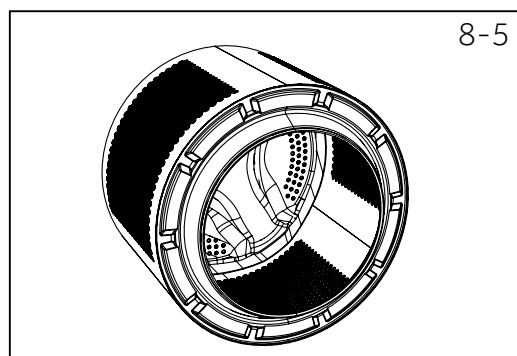
Per evitare blocchi dell'alimentazione dell'acqua causati da sostanze solide come ad esempio il calcare, pulire a intervalli regolari il filtro della valvola di ingresso dell'acqua.

- ▶ Scollegare il cavo di alimentazione e chiudere l'alimentazione idrica.
- ▶ Svitare il tubo di ingresso dell'acqua sulla parte posteriore (Fig. 8-3) dell'apparecchiatura oltre che sul rubinetto.
- ▶ Lavare i filtri servendosi di acqua e spazzola (Fig. 8-4).
- ▶ Inserire il filtro, quindi installare il tubo di ingresso.



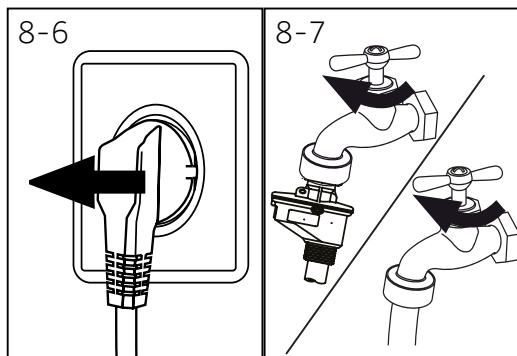
### 8.4 Pulizia del cestello

- ▶ Togliere le componenti metalliche lavate per sbaglio, come ad esempio spille, monete, ecc, dal cestello (Fig. 8-5) dato che causano macchie di ruggine e danni.
- ▶ Servirsi di un detergente senza cloro per la rimozione delle macchie di ruggine. Osservare i segnali di avvertenza del produttore dell'agente detergente.
- ▶ Non usare oggetti pesanti o lana di roccia per le operazioni di pulizia.



#### Nota: Igiene

Per interventi di manutenzione regolare consigliamo di avviare il programma HYGIENIC senza carico per eliminare i possibili residui con cadenza trimestrale. Aggiungere un po' di detersivo nello scomparto del detersivo (2) - oppure usare un detersivo speciale.



## 8.5 Lunghi periodi di inutilizzo

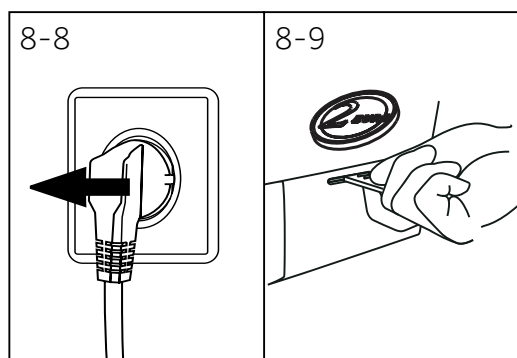
Qualora l'apparecchiatura non venga usata per periodi più lunghi:

1. Togliere la spina elettrica (fig. 8-6).
2. Spegnerne l'alimentazione idrica (Fig. 8-7).
3. Aprire l'oblò per evitare la formazione di umidità e cattivi odori. Lasciare aperto l'oblò quando la macchina non è in funzione.

Prima dell'uso successivo controllare con attenzione il cavo di alimentazione, la linea di ingresso dell'acqua e il tubo di scarico. Verificare che tutto sia installato correttamente e che non vi siano perdite.

### **i** Nota: Igiene

Dopo lunghi periodi di inutilizzo, consigliamo di usare il programma HYGIENIC senza carico e un po' di detersivo nello scomparto del detersivo (2) oppure un detersivo particolare per togliere i residui che potrebbero causare danni.



## 8.6 Filtro della pompa

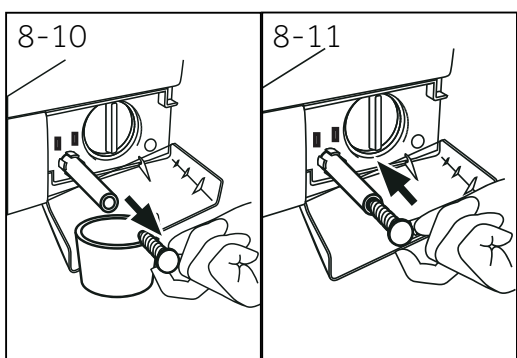
Pulire il filtro una volta al mese e controllare il filtro della pompa per verificare se il dispositivo:

- ▶ non scarica l'acqua.
- ▶ non gira.
- ▶ causa rumori anomali in fase di funzionamento.

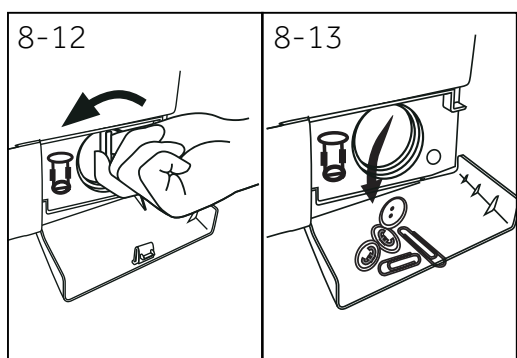


### AVVERTENZA!

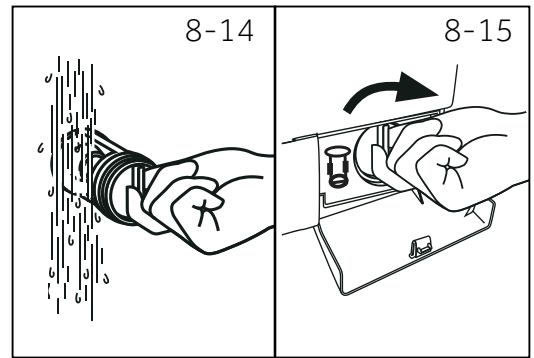
Attenzione! Rischio di scottatura! L'acqua all'interno del filtro della pompa può essere molto calda! Prima di agire verificare che l'acqua si sia raffreddata.



1. Spegnerne e scollegare la macchina (Fig. 8-8).
2. Aprire l'aletta di servizio. Sarà possibile usare una moneta o un cacciavite (Fig. 8-9).
3. Fornire un contenitore piatto per raccogliere l'acqua (Fig. 8-10). Il quantitativo di acqua potrebbe essere importante!
4. Estrarre il tubo di scarico e tenere l'estremità sopra al contenitore (Fig. 8-10).
5. Estrarre il tappo-guarnizione dal tubo di scarico (Fig. 8-10).
6. Dopo aver completato lo scarico, chiudere il tubo di scarico (Fig. 8-11) e spingerlo nuovamente all'interno dell'apparecchiatura.
7. Svitare e togliere in senso anti-orario il filtro della pompa (Fig. 8-12).
8. Eliminare contaminanti e sporcizia (Fig. 8-13).



9. Pulire con attenzione il filtro della pompa, ad esempio servendosi di acqua di rubinetto (Fig. 8-14).
10. Fissarlo nuovamente in modo completo (Fig. 8-15).
11. Chiudere l'aletta di servizio.



### ATTENZIONE!

- ▶ La guarnizione del filtro della pompa deve essere pulita e non danneggiata. Quando il coperchio non sia completamente chiuso, l'acqua potrebbe fuoriuscire.
- ▶ Il filtro deve essere in posizione, oppure potrebbe portare a perdite.

Molti dei problemi più ricorrenti possono essere risolti senza competenze specifiche. In caso di problemi controllare tutte le possibilità indicate e attenersi alle seguenti istruzioni prima di contattare il servizio post vendita. Cfr. ASSISTENZA CLIENTI.



## AVVERTENZA!

- ▶ Prima di eseguire qualunque intervento di manutenzione, spegnere l'apparecchio ed estrarre la spina dalla presa.
- ▶ Gli interventi di manutenzione sulla strumentazione elettrica vanno eseguiti unicamente da elettricisti esperti, dato che l'esecuzione di riparazioni in modo non adeguato può causare gravi danni alla strumentazione.
- ▶ Un cavo di alimentazione danneggiato va sostituito unicamente dal produttore, dal suo agente di servizio o da persone qualificate al fine di evitare pericoli.

### 9.1 Codici informativi

I seguenti codici vengono visualizzati unicamente per informazioni relative al ciclo di lavaggio. Non è richiesto nessun intervento.

Codice	Messaggio
<b>1:25</b>	Il tempo del ciclo di lavaggio restante sarà di 1 ora e 25 minuti.
<b>6:30</b>	Il tempo del ciclo di lavaggio restante, compreso il ritardo del tempo di fine ritardata sarà di 6 ore e 30 minuti.
<b>P-- 1/2/3</b>	Vengono scelti 1/2/3 risciacqui aggiuntivi (cfr. i PULSANTI FUNZIONE "Extra risciacquo").
<b>End</b>	Il ciclo di lavaggio è concluso. L'apparecchiatura si spegne automaticamente.
<b>Loc 1-</b>	L'oblò viene chiuso dato l'elevato livello dell'acqua, la temperatura dell'acqua elevata o il ciclo di centrifuga.
<b>CLrd</b>	La funzione blocco bambini è attivata
<b>bEEP OFF</b>	Il segnale acustico è disattivato.
<b>bEEP On</b>	Il segnale acustico è attivato.
<b>SPEED UP</b>	La funzione "Turbo" è attivata

### 9.2 Guida alla risoluzione dei problemi con codice display

Problema	Causa	Soluzione
<b>CLr FLr</b>	<ul style="list-style-type: none"> <li>• Errore di scarico, l'acqua non è completamente scaricata dopo 6 minuti.</li> </ul>	<ul style="list-style-type: none"> <li>• Pulire il filtro della pompa.</li> <li>• Controllare l'installazione del tubo di scarico.</li> </ul>
<b>E2</b>	<ul style="list-style-type: none"> <li>• Blocco - errore.</li> </ul>	<ul style="list-style-type: none"> <li>• Chiudere correttamente l'oblò.</li> </ul>
<b>E4</b>	<ul style="list-style-type: none"> <li>• Livello dell'acqua non raggiunto dopo 10 minuti al massimo.</li> <li>• Il tubo di scarico si sta svuotando da solo mediante sifone.</li> </ul>	<ul style="list-style-type: none"> <li>• Verificare che il rubinetto sia completamente aperto e che la pressione dell'acqua sia normale.</li> <li>• Controllare l'installazione del tubo di scarico.</li> </ul>
<b>EB</b>	<ul style="list-style-type: none"> <li>• Livello di protezione acqua - errore.</li> </ul>	<ul style="list-style-type: none"> <li>• Contattare il servizio Post vendita.</li> </ul>

Problema	Causa	Soluzione
F3	<ul style="list-style-type: none"> <li>• Sensore di temperatura</li> </ul>	<ul style="list-style-type: none"> <li>• Contattare il servizio clienti.</li> </ul>
F4	<ul style="list-style-type: none"> <li>• Errore di riscaldamento</li> </ul>	<ul style="list-style-type: none"> <li>• Contattare il servizio clienti.</li> </ul>
F7	<ul style="list-style-type: none"> <li>• Motore</li> </ul>	<ul style="list-style-type: none"> <li>• Contattare il servizio clienti.</li> </ul>
FA	<ul style="list-style-type: none"> <li>• Sensore livello acqua - errore</li> </ul>	<ul style="list-style-type: none"> <li>• Contattare il servizio clienti.</li> </ul>
FE1 oppure FE0 oppure FE2	<ul style="list-style-type: none"> <li>• Errore di comunicazione anomalo</li> </ul>	<ul style="list-style-type: none"> <li>• Contattare il servizio clienti.</li> </ul>
Unb	<ul style="list-style-type: none"> <li>• Carico non equilibrato</li> </ul>	<ul style="list-style-type: none"> <li>• Estrarre il bucato e reinserirlo uniformemente nel cestello prima di eseguire la centrifuga.</li> </ul>

### 9.3 Guida alla risoluzione dei problemi senza codice display

Problema	Causa	Soluzione
La lavatrice non funziona.	<ul style="list-style-type: none"> <li>• Il programma non è ancora partito.</li> <li>• L'oblò non è stato chiuso correttamente.</li> <li>• La macchina non è stata accesa.</li> <li>• Guasto di alimentazione.</li> <li>• Il blocco bambini è attivato.</li> </ul>	<ul style="list-style-type: none"> <li>• Controllare il programma, quindi avviarlo.</li> <li>• Chiudere correttamente l'oblò.</li> <li>• Accendere la macchina.</li> <li>• Controllare l'alimentazione.</li> <li>• Disattivare il blocco bambini.</li> </ul>
La lavatrice non viene riempita di acqua.	<ul style="list-style-type: none"> <li>• Assenza di acqua.</li> <li>• Il tubo di ingresso è piegato.</li> <li>• Il filtro del tubo di ingresso è bloccato.</li> <li>• La pressione dell'acqua è bassa.</li> <li>• L'oblò non è stato chiuso correttamente.</li> <li>• Guasto dell'alimentazione dell'acqua.</li> </ul>	<ul style="list-style-type: none"> <li>• Controllare il rubinetto dell'acqua.</li> <li>• Controllare il tubo di ingresso.</li> <li>• Sbloccare il filtro del tubo di ingresso.</li> <li>• Controllare la pressione dell'acqua.</li> <li>• Chiudere correttamente l'oblò.</li> <li>• Controllare che l'alimentazione dell'acqua funzioni correttamente.</li> </ul>
La macchina scarica mentre è in fase di riempimento.	<ul style="list-style-type: none"> <li>• L'altezza del tubo di scarico è inferiore agli 80 cm.</li> <li>• L'estremità del tubo di scarico è immersa nell'acqua.</li> </ul>	<ul style="list-style-type: none"> <li>• Verificare che il tubo di scarico sia installato correttamente.</li> <li>• Verificare che il tubo di scarico non sia immerso in acqua.</li> </ul>
Guasto del sistema di scarico.	<ul style="list-style-type: none"> <li>• Il tubo di scarico è bloccato.</li> <li>• Il filtro della pompa è bloccato.</li> <li>• L'estremità del tubo di scarico è superiore di 100 cm rispetto al livello del pavimento.</li> </ul>	<ul style="list-style-type: none"> <li>• Sbloccare il tubo di scarico.</li> <li>• Pulire il filtro della pompa.</li> <li>• Verificare che il tubo di scarico sia installato correttamente.</li> </ul>

Problema	Causa	Soluzione
Forti vibrazioni mentre la centrifuga è in corso.	<ul style="list-style-type: none"> <li>• Non sono stati rimossi i bulloni di trasporto.</li> <li>• L'apparecchiatura non è correttamente posizionata e livellata</li> <li>• Il carico della macchina non è corretto.</li> </ul>	<ul style="list-style-type: none"> <li>• Togliere tutti i bulloni di trasporto.</li> <li>• Verificare che l'apparecchiatura sia saldamente appoggiata in piano e che sia a bolla.</li> <li>• Controllare il peso e il bilanciamento del carico.</li> </ul>
Il funzionamento si interrompe prima del completamento del ciclo di lavaggio.	<ul style="list-style-type: none"> <li>• Guasto acqua o guasto elettrico.</li> </ul>	<ul style="list-style-type: none"> <li>• Controllare l'alimentazione di corrente e l'alimentazione idrica.</li> </ul>
Il funzionamento si interrompe per alcuni momenti.	<ul style="list-style-type: none"> <li>• L'apparecchiatura visualizza il codice di errore.</li> <li>• Problema dovuto allo schema di carico.</li> <li>• Il programma esegue un ciclo di ammollo.</li> </ul>	<ul style="list-style-type: none"> <li>• Prendere in considerazione i codici di errore.</li> <li>• Ridurre o regolare il carico.</li> <li>• Annullare il programma e riavviare.</li> </ul>
C'è troppa schiuma galleggiante nel cestello e/o nel cassetto del detersivo.	<ul style="list-style-type: none"> <li>• Il detersivo non è adeguato.</li> <li>• Uso di un quantitativo eccessivo di detersivo.</li> </ul>	<ul style="list-style-type: none"> <li>• Controllare le istruzioni del detersivo.</li> <li>• Ridurre il quantitativo di detersivo.</li> </ul>
Regolazione automatica del tempo di lavaggio.	<ul style="list-style-type: none"> <li>• Verrà regolata la durata del programma di lavaggio.</li> </ul>	<ul style="list-style-type: none"> <li>• Questo è normale e non influisce sulle funzionalità dell'apparecchiatura.</li> </ul>
La centrifuga non va a buon fine.	<ul style="list-style-type: none"> <li>• Sbilanciamento del carico.</li> </ul>	<ul style="list-style-type: none"> <li>• Controllare il carico della macchina e del bucato ed eseguire nuovamente il programma di centrifuga.</li> </ul>
Risultati di lavaggio non soddisfacenti.	<ul style="list-style-type: none"> <li>• Il livello di sporco non è conforme al programma selezionato.</li> <li>• La quantità di detersivo non era sufficiente.</li> <li>• Il carico massimo è stato superato.</li> <li>• Il bucato non è stato distribuito in modo uniforme all'interno del cestello.</li> </ul>	<ul style="list-style-type: none"> <li>• Selezionare un altro programma.</li> <li>• Scegliere il detersivo a seconda del livello di sporco, e in linea con le specifiche tecniche del produttore.</li> <li>• Ridurre il carico.</li> <li>• Redistribuire il bucato.</li> </ul>
Sul bucato ci sono residui del detersivo in polvere.	<ul style="list-style-type: none"> <li>• Le particelle insolubili di detersivo possono ripresentarsi come puntini bianchi sul bucato.</li> </ul>	<ul style="list-style-type: none"> <li>• Eseguire un ulteriore risciacquo.</li> <li>• Provare a spazzolare via i punti bianchi dal bucato.</li> <li>• Scegliere un altro detersivo.</li> </ul>
Il bucato presenta delle chiazze di colore grigio.	<ul style="list-style-type: none"> <li>• Queste chiazze sono causate da grassi quali ad esempio olio, panna o pomate.</li> </ul>	<ul style="list-style-type: none"> <li>• Pretrattare il bucato con un detersivo speciale.</li> </ul>

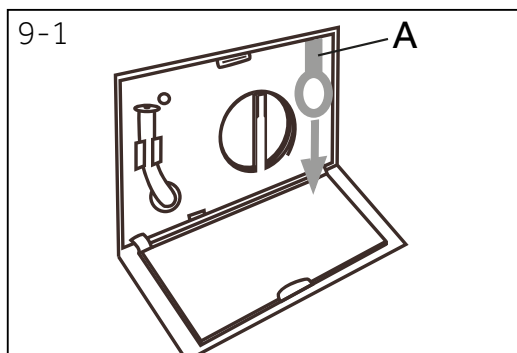


## Nota: Formazione di schiuma

Se durante il ciclo di centrifuga si forma troppa schiuma, il motore si ferma e la pompa di scarico viene attivata per 90 secondi. Se l'eliminazione della schiuma non va a buon fine per 3 volte consecutive, il programma si conclude senza centrifuga.



Qualora compaiano nuovamente i messaggi di errore dopo aver intrapreso le misure necessarie, spegnere l'apparecchiatura, scollegare l'alimentazione e contattare il servizio clienti.



#### 9.4 In caso di guasto all'alimentazione

Il programma attuale, e le relative impostazioni, verranno salvate. Quando viene ripristinata l'alimentazione, l'apparecchiatura inizia nuovamente a funzionare. In caso di guasto di alimentazione durante l'esecuzione del programma il meccanismo di apertura dell'oblò è bloccato meccanicamente. Se il bucato deve essere tolto, il livello dell'acqua non deve essere visibile dall'oblò. - Pericolo di ustioni!

- ▶ Abbassare il livello dell'acqua a seconda dei passaggi da 1 a 6 del capitolo CURA E PULIZIA (FILTRO DELLA POMPA).
- ▶ Tirare la leva (A) sotto all'aletta di servizio (Fig. 9-1) fino a che l'oblò non si sblocca con un clic delicato.
- ▶ Fissare tutte le componenti e chiudere l'aletta di servizio.

## 10.1 Procedimento

- ▶ Estrarre il dispositivo dall'imballaggio.
- ▶ Togliere tutti i materiali dell'imballaggio, la base in polistirene, e tenere il tutto fuori dalla portata dei bambini. In fase di apertura della confezione, sul sacchetto e sull'oblò si potrebbero vedere delle goccioline di acqua. Si tratta di un fenomeno normale dovuto ai collaudi eseguiti in fabbrica.



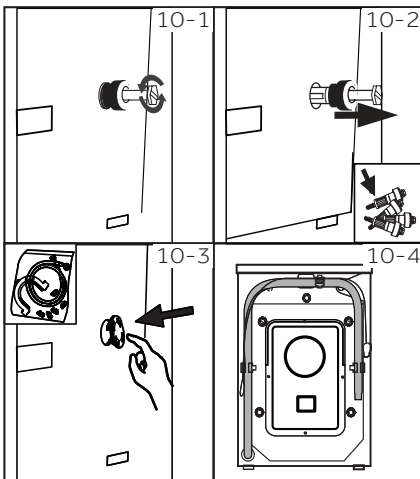
### Nota: Smaltimento dell'imballaggio

Conservare tutti i materiali dell'imballaggio fuori dalla portata dei bambini e smaltirli in modo rispettoso dell'ambiente.

## 10.2 Rimozione dei bulloni di trasporto

I bulloni di trasporto sono stati progettati per fissare le componenti e proteggerle dalle vibrazioni all'interno dell'apparecchiatura in fase di trasporto al fine di evitare danni interni.

1. Togliere i 4 bulloni sul lato posteriore ed estrarre i distanziatori in plastica (A) dal lato interno della macchina (Fig. 10-1)(Fig. 10-2).
2. Posizionare sui fori rimasti i tappi di chiusura (Fig. 10-3)(Fig.10-4).



### Nota: Conservare in un luogo sicuro

Conservare i bulloni di trasporto in una posizione sicura per poterli riutilizzare in seguito. Quando l'apparecchiatura deve essere spostata, come prima cosa procedere alla re-installazione dei bulloni.

## 10.3 Spostamento dell'apparecchiatura

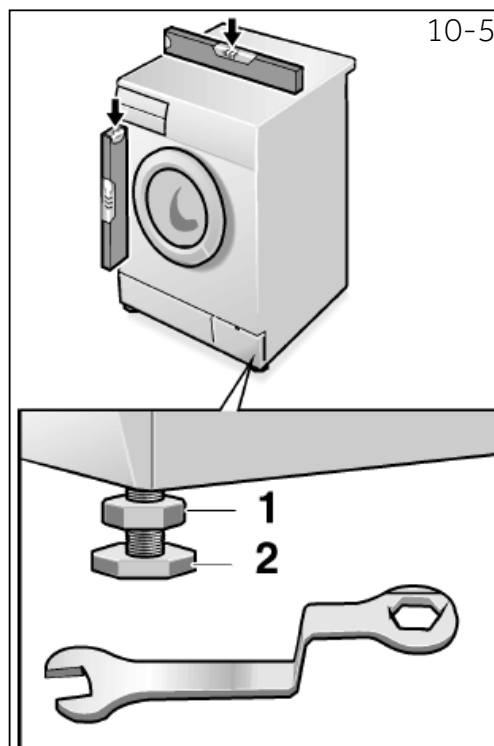
Se l'apparecchiatura deve essere spostata in un luogo lontano, riposizionare i bulloni di trasporto tolti prima dell'installazione al fine di evitare danni:

1. Togliere i tappi di chiusura.
2. Togliere il coperchio posteriore
3. Inserire i distanziatori in plastica e i bulloni di trasporto.
4. Serrare i bulloni con una chiave.
5. Riposizionare il coperchio posteriore.

### 10.4 Regolazione dei piedini

Regolare tutti i piedini (Fig. 10-5) per ottenere una posizione di perfetto equilibrio. In questo modo le vibrazioni e il conseguente rumore in fase di utilizzo, verranno ridotti al minimo. Verrà inoltre ridotta l'usura dei materiali. Consigliamo di usare una bolla per eseguire le regolazioni. Il pavimento dovrebbe essere quanto più stabile e in piano.

1. Allentare il dado di blocco (1) servendosi di una chiave inglese.
2. Regolare l'altezza ruotando i piedini (2).
3. Serrare il dado di blocco (1) contro l'alloggiamento.



### 10.5 Collegamento dello scarico dell'acqua

Fissare il tubo di scarico dell'acqua in modo corretto alle tubazioni. Il tubo deve raggiungere un'altezza compresa fra 80 e 100 cm dal pavimento. Ove possibile, tenere sempre il tubo di scarico fissato al clip, sulla parte posteriore dell'apparecchiatura.



#### AVVERTENZA!

- ▶ Servirsi unicamente del set di tubi fornito in dotazione per eseguire il collegamento.
- ▶ Non riutilizzare mai set di tubi vecchi!
- ▶ Collegare unicamente ad alimentazioni di acqua fredda.
- ▶ Prima del collegamento, verificare che l'acqua sia pulita e trasparente.

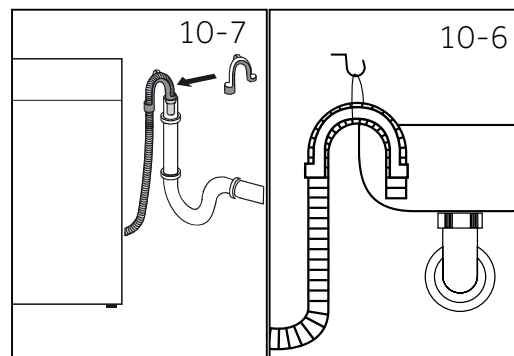
Sarà possibile eseguire i seguenti collegamenti:

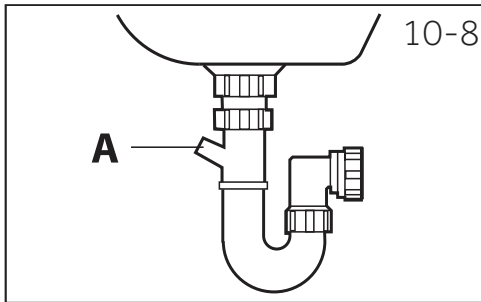
#### 10.5.1 Tubo di scarico verso il lavandino

- ▶ Sospendere il tubo di scarico col supporto a U sull'estremità di un lavandino di dimensioni adeguate (fig.10-6).
- ▶ Proteggere quanto basta il supporto a U per impedirne lo scivolamento.

#### 10.5.2 Collegamento del tubo di scarico all'acqua di scarico

- ▶ Il diametro interno del tubo di scarico deve come minimo essere 40 mm.
- ▶ Mettere il tubo di scarico per circa 80 mm all'interno del tubo dell'acqua di scarico.
- ▶ Fissare il supporto a U e tenerlo saldamente in posizione (Fig. 10-7).





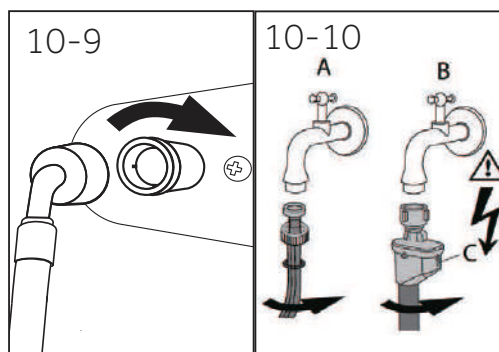
## 10.5.3 Collegamento del tubo flessibile di scarico al lavandino

- ▶ La giunzione deve avvenire sopra al sifone
- ▶ Viene di norma usato un collegamento a tappo, chiuso da un cuscinetto (A). Togliere per evitare eventuali malfunzionamenti (Fig. 10-8).
- ▶ Fissare il tubo di scarico con una fascetta.



### ATTENZIONE!

- ▶ Il tubo di scarico non va immerso in acqua e va saldamente fissato per non causare perdite. Qualora il tubo di scarico venga posizionato a terra, oppure se il tubo si trova a un'altezza inferiore agli 80 cm, la lavatrice continuerà a scaricare in fase di riempimento (autosifonaggio).
- ▶ Il tubo di scarico non va allungato. Ove necessario, contattare il servizio clienti.



## 10.6 Collegamento all'acqua corrente

Verificare che vengano inserite le guarnizioni.

1. Collegare il tubo di ingresso dell'acqua con l'estremità ad angolo all'apparecchiatura (Fig. 10-9). Serrare il giunto a vite con una mano.
2. Collegare l'altra estremità a un rubinetto dell'acqua con filettatura da 3/4" (Fig. 10-10).



### Nota: Sistema di interruzione acqua (Aquastop):

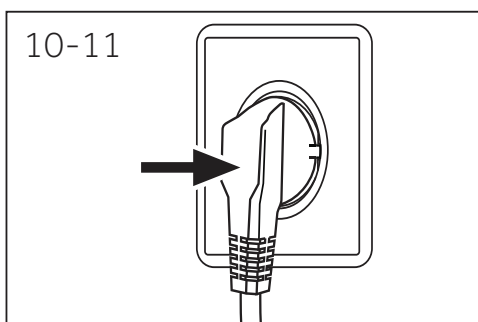
Alcuni modelli sono dotati di un tubo flessibile di ingresso aqua-stop (B). Il sistema aqua-stop protegge dalle perdite di acqua riducendo automaticamente la fornitura di acqua in caso di tubi con delle perdite. Ciò è indicato da un indicatore rosso (C). **Nel caso di intervento della protezione sarà necessario** provvedere alla sostituzione del tubo.

## 10.7 Collegamento Elettrico

Prima di ogni collegamento, verificare che:

- ▶ la sorgente di alimentazione, la presa e il fusibile siano adeguati alla targhetta informativa.
- ▶ la presa di alimentazione sia dotata di messa a terra e non vengano usate ciabatte o prolunghe.
- ▶ il cavo di alimentazione e la presa siano conformi a quanto indicato.

Inserire la spina nella presa (Fig. 10-11).





## AVVERTENZA!

- ▶ Verificare sempre che tutti i collegamenti (alimentazione, tubo di scarico e tubo dell'acqua) siano saldamente fissati e senza perdite!
- ▶ Fare attenzione ed evitare che queste componenti vengano schiacciate, piegate o attorcigliate.
- ▶ Se il cavo di alimentazione è danneggiato, deve essere sostituito dal tecnico di assistenza autorizzato (cfr. scheda garanzia) al fine di evitare situazioni di pericolo.

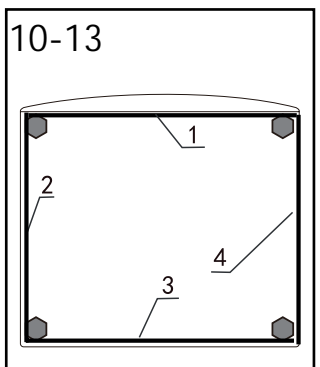
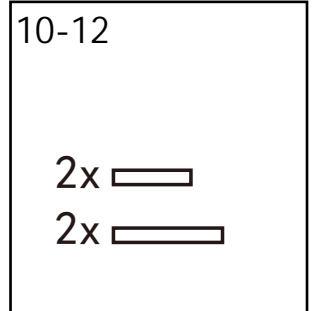


## Nota: Igiene

Dopo ogni installazione o dopo lunghi periodi di inutilizzo, prima di iniziare a usare il dispositivo e per interventi di normale manutenzione, consigliamo di usare il programma HYGIENIC senza carico e un po' di detersivo nello scomparto del detersivo (2) oppure un detersivo particolare per togliere i residui che potrebbero causare danni.

### 10.8 Istruzioni per l'installazione dei pannelli per la riduzione del rumore (2.2 Accessori Spugna)

1. Aprendo la confezione troverete i pannelli per la riduzione del rumore (Fig. 10-12).
2. Appoggiare il retro della lavatrice sul pavimento con l'oblò rivolto verso l'alto ed il lato inferiore verso l'operatore.
3. Prendere i pannelli e rimuovere la pellicola protettiva biadesiva; posizionare i pannelli sotto la lavatrice come mostrato nella figura 10-13 (i due pannelli più lunghi in posizione 1 e 3, i due più corti in posizione 2 e 4). Infine riportare la macchina in postazione verticale.



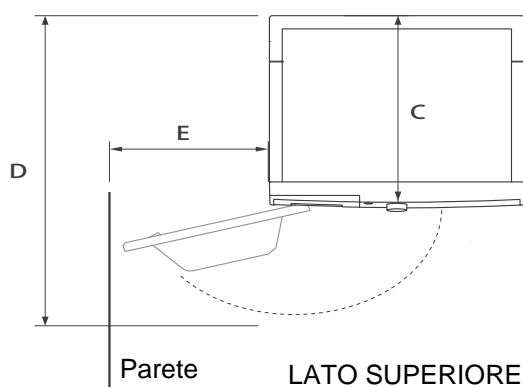
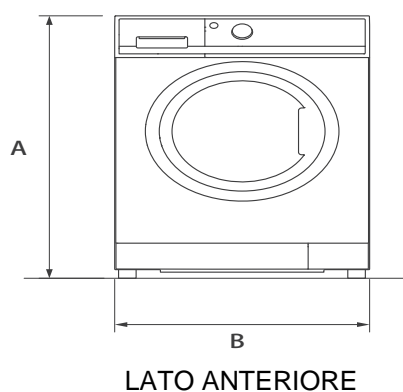
## Nota:

L'installazione dei pannelli per la riduzione del rumore è facoltativa e la mancata installazione non pregiudica il corretto funzionamento dell'elettrodomestico e non causa danni al prodotto.

## 11.1 Dati tecnici aggiuntivi

	HW100	HW90	HW80	HW70
Tensione in V	220-240 V~/50Hz			
Corrente in A	10			
Potenza max in W	2000			
Pressione dell'acqua in MPa	$0.03 \leq P \leq 1$			
Peso netto in kg	74	74	72	64

## 11.2 Dimensioni Prodotto



DIMENSIONI PRODOTTO	HW100	HW90	HW80	HW70
A Altezza mm	850	850	850	850
B Larghezza mm	595	595	595	595
C Profondità mm	600	600	550	460
D Profondità oblò aperto mm	1100	1100	1050	960
E Distanza minima dall'oblò alla parete adiacente mm	400	400	400	400

Nota: L'altezza esatta della lavatrice dipende dall'altezza dei piedini alla base della macchina. Lo spazio in cui si installa la lavatrice deve essere almeno 40 mm più largo e 20 mm più profondo delle sue dimensioni.

## 11.3 Standard e Direttive

Questo prodotto soddisfa i requisiti di tutte le direttive CE applicabili con i corrispondenti standard armonizzati, il che gli conferisce la marcatura CE.

Consigliamo di fare riferimento alla nostra Assistenza Clienti Haier; consigliamo inoltre di servirsi di componenti originali.

In caso di problemi col dispositivo, controllare come prima cosa la sezione GUIDA ALLA RISOLUZIONE DEI PROBLEMI.

Qualora non fosse possibile trovare una soluzione, contattare

- ▶ il proprio rivenditore locale
- ▶ l'area Assistenza & Supporto su [www.haier.com](http://www.haier.com) dove è possibile trovare numeri di telefono e Domande Frequenti e da dove è possibile attivare la richiesta di intervento.

Per contattare il nostro Servizio, verificare di disporre dei seguenti dati.

Le informazioni si trovano sulla targhetta.

Modello \_\_\_\_\_ Numero seriale \_\_\_\_\_

Consigliamo inoltre di controllare la Scheda Garanzia fornita in dotazione col prodotto qualora si debba fare ricorso alla garanzia.

Per richieste commerciali generiche indichiamo qui di seguito i nostri indirizzi in Europa:

<b>Indirizzi Haier europei</b>			
<b>Paese*</b>	<b>Indirizzo postale</b>	<b>Paese*</b>	<b>Indirizzo postale</b>
<b>Italia</b>	Haier Europe Trading SRL Via De Cristoforis, 12 21100 Varese ITALIA	<b>Francia</b>	Haier Francia SAS 3-5 rue des Graviers 92200 Neuilly sur Seine FRANCIA
<b>Spagna Portogallo</b>	Haier Iberia SL Calle Marruecos 200, 08019 Barcellona SPAGNA	<b>Belgio-FR Belgio-NL Paesi Bassi Lussemburgo</b>	Haier Benelux SA Anderlecht Route de Lennik 451 BELGIO
<b>Germania Austria</b>	Haier Germania GmbH Hewlett-Packard-Str. 4 D-61352 Bad Homburg GERMANIA	<b>Polonia Repubblica Ceca Ungheria Grecia Romania Russia</b>	Haier Polonia Sp. zo.o. Al. Jerozolimskie 181B 02-222 Varsavia POLONIA
<b>Regno Unito</b>	Haier Appliances Regno Unito Co.Ltd. One Crown Square Church Street East Woking, Surrey, GU21 6HR Regno Unito		

\*Per ulteriori informazioni rimandiamo a [www.haier.com](http://www.haier.com)



**Haier**

0020509288M