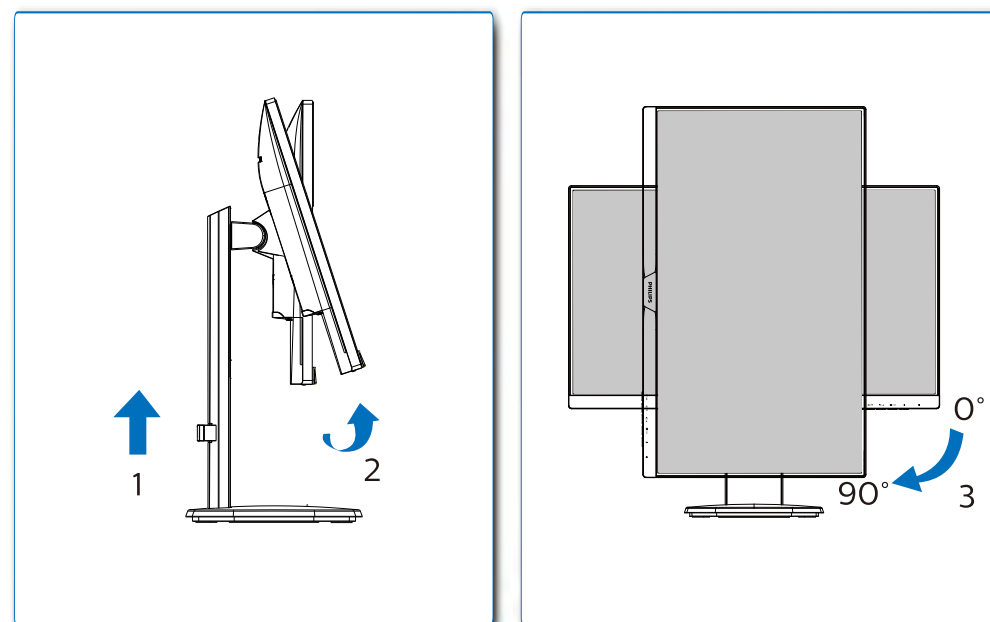
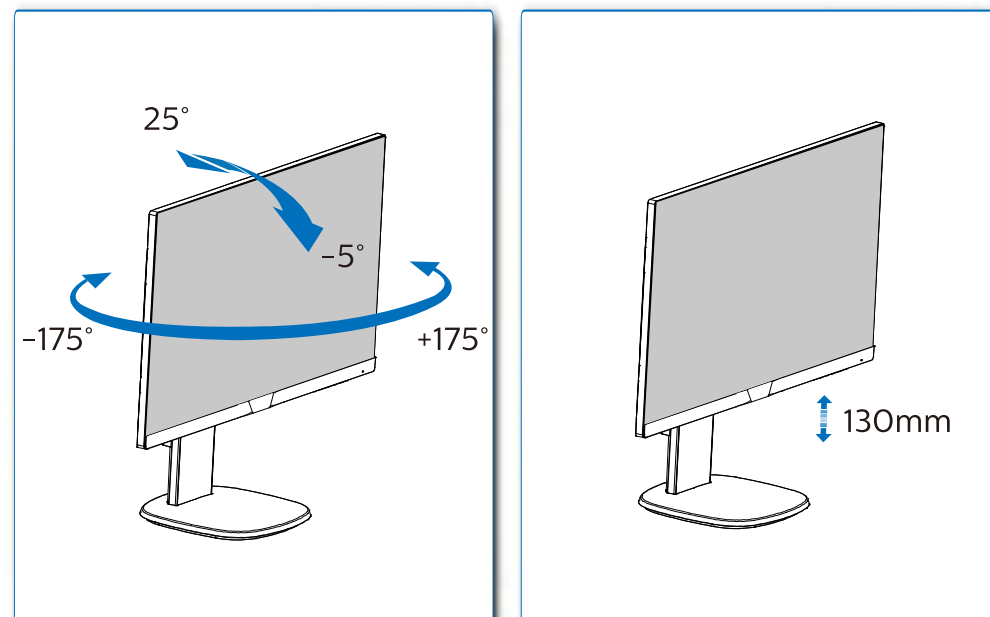


4



- EN Need help?**
Online help: www.philips.com/support
- SC 需要帮助?**
在线帮助: www.philips.com/support
- FR Besoin d'Aide ?**
Aide en ligne: www.philips.com/support
- ES ¿Necesita ayuda?**
Ayuda en línea: www.philips.com/support
- DE Benötigen Sie Hilfe?**
Online-Hilfe: www.philips.com/support
- IT Avete bisogno di aiuto?**
Guida in linea: www.philips.com/support
- BR Precisa ajuda?**
Ajuda online: www.philips.com/support
- KO 도움이 필요하신가요?**
온라인 도움말: www.philips.com/support
- UK Потребуєте допомоги?**
Підтримка он-лайн: www.philips.com/support
- RU Нужна помощь?**
Интерактивная справка: www.philips.com/support
- TR Yardım ihtiyacınız var mı?**
Online yardım: www.philips.com/support
- HI क्या सहायता की जरूरत है?**
ऑनलाइन सहायता: www.philips.com/support
- AR هل تريد المساعدة؟**
للمساعدة عبر الانترنت: www.philips.com/support
- JP ヘルプが必要です?**
オンラインヘルプ: www.philips.com/support

Version: M72X3SQ1L
© 2018 Koninklijke Philips N.V. All rights reserved.

This product was manufactured and brought to the market by or on behalf of Top Victory Investments Ltd. or one of its affiliates. Top Victory Investments Ltd. is the warrantor in relation to this product. Philips and the Philips Shield Emblem are registered trademarks of Koninklijke Philips N.V. used under license.

Specifications are subject to change without notice.
www.philips.com

HDMI
HDMI trademark and related patents on technologies belong to their respective owners.



Printed in China
F41G22M181323D----

PHILIPS

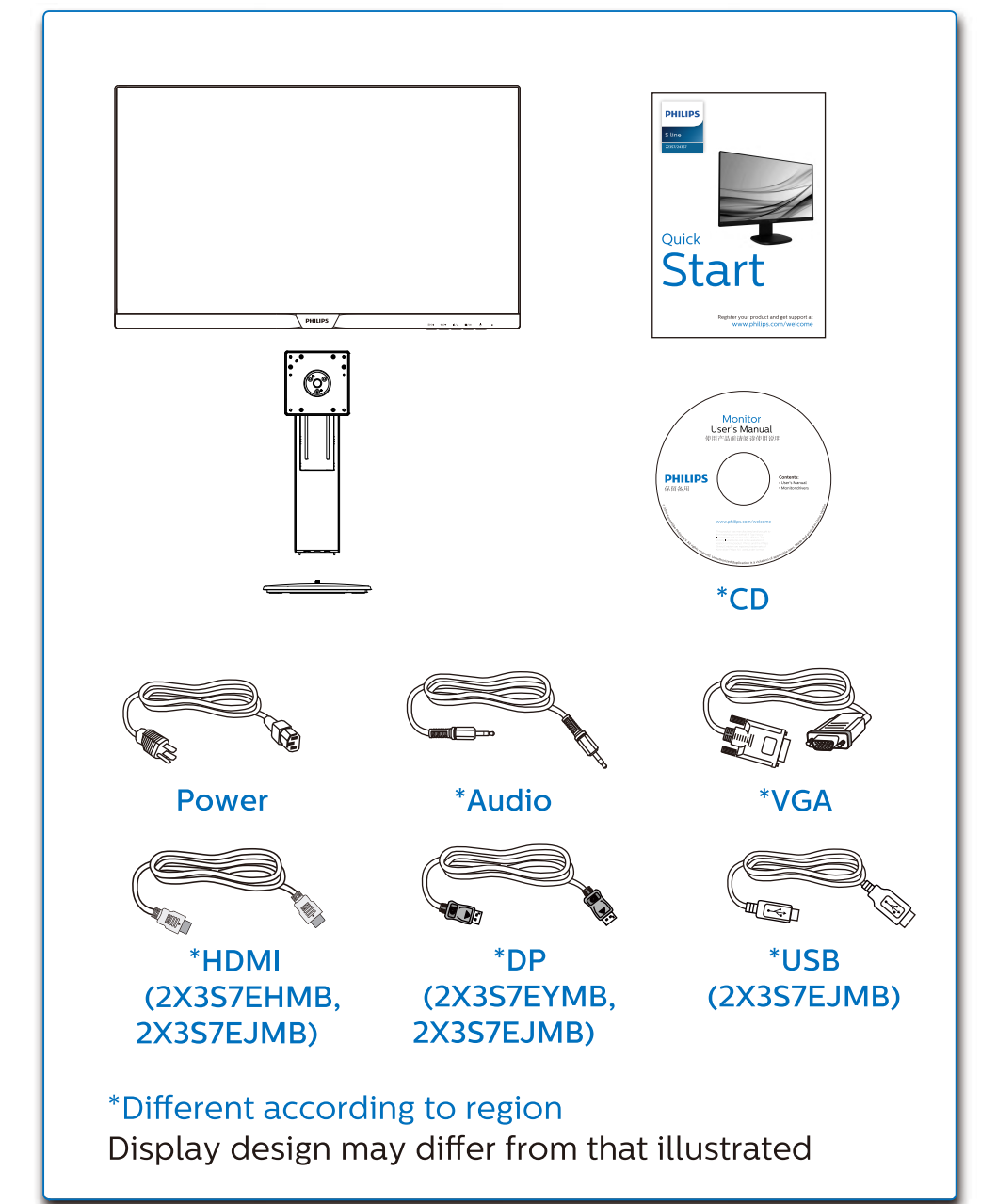
S line

223S7/243S7



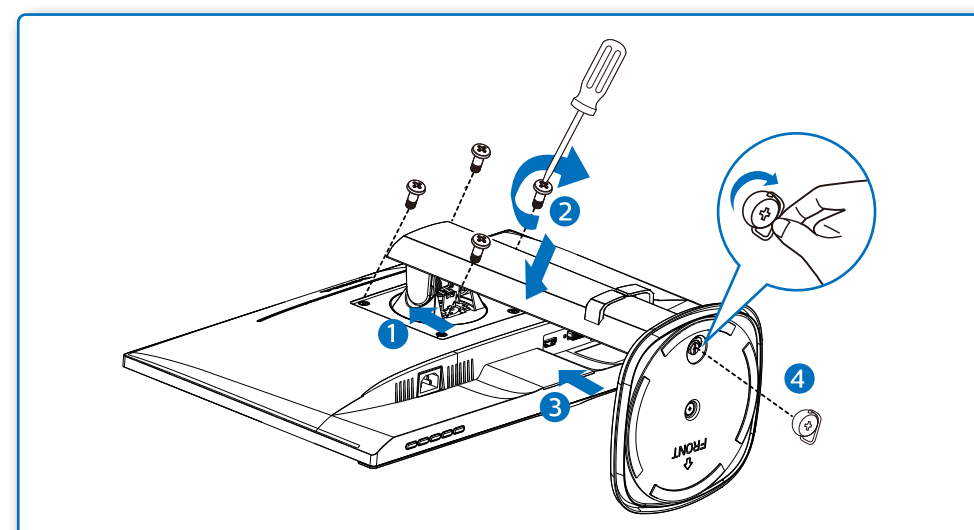
Quick Start

Register your product and get support at
www.philips.com/welcome

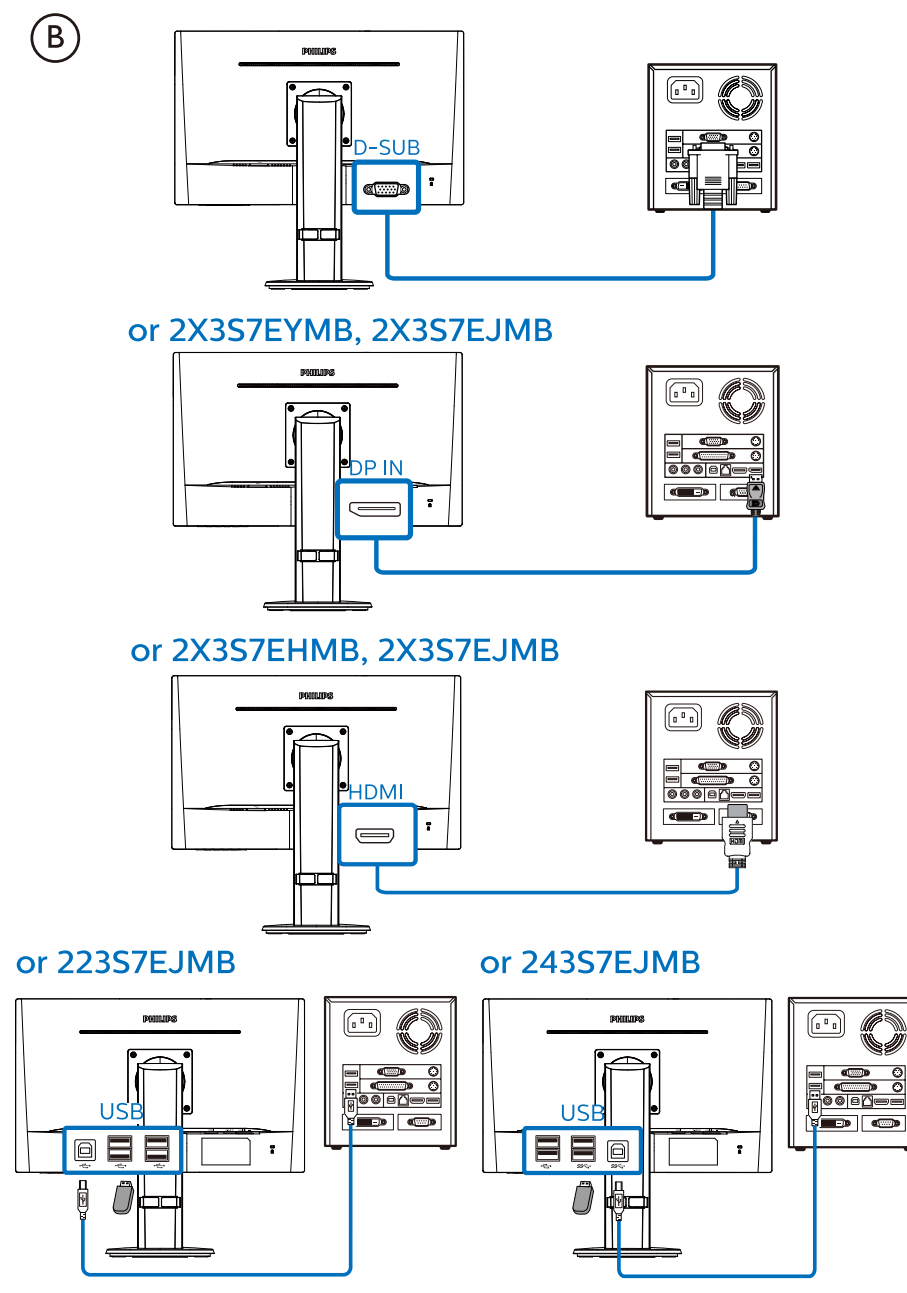
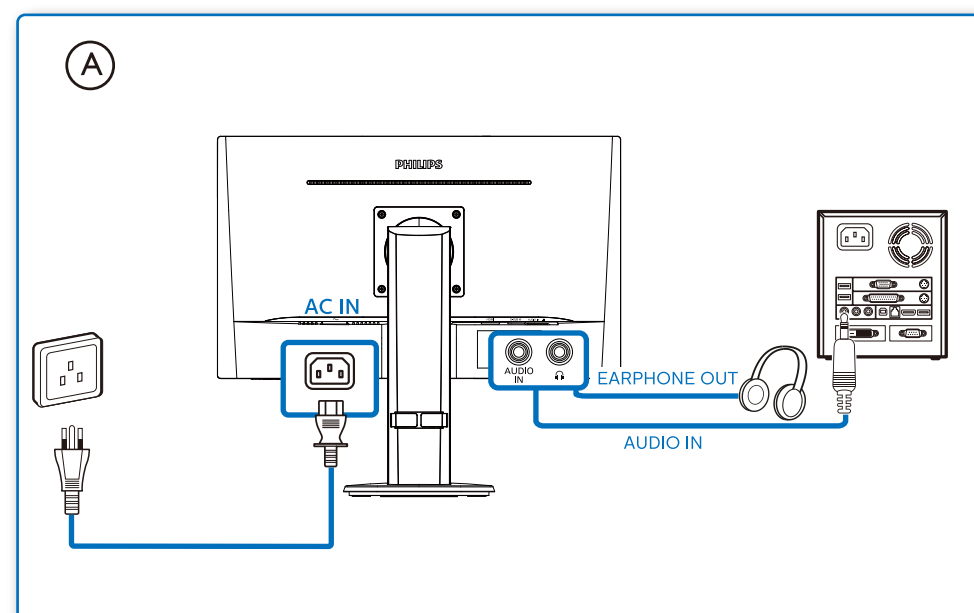


*Different according to region
Display design may differ from that illustrated

1



2



3

