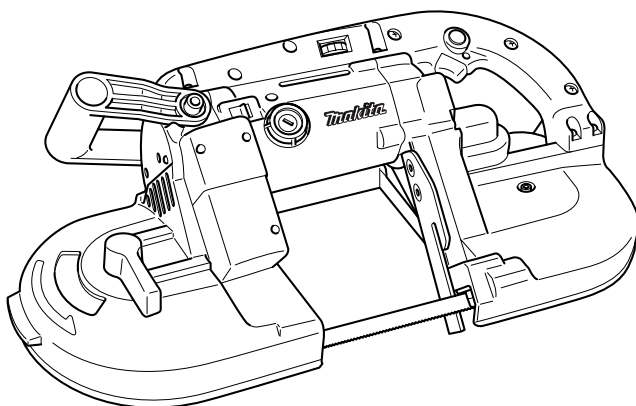
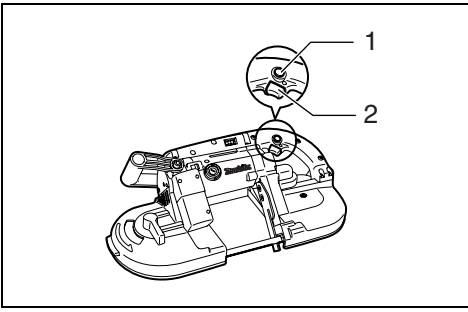




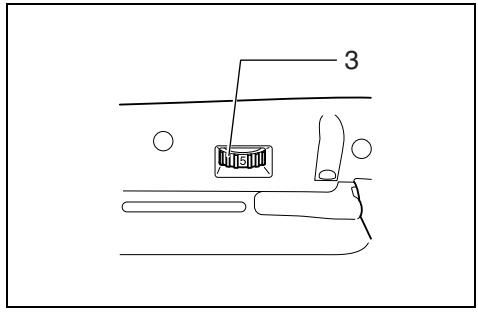
<b>GB</b>	<b>Portable Band Saw</b>	<b>Instruction Manual</b>
<b>F</b>	<b>Scie à Ruban Portable</b>	<b>Manuel d'instructions</b>
<b>D</b>	<b>Bandsäge</b>	<b>Betriebsanleitung</b>
<b>I</b>	<b>Sega a nastro portatile</b>	<b>Istruzioni per l'uso</b>
<b>NL</b>	<b>Draagbare bandzaag</b>	<b>Gebruiksaanwijzing</b>
<b>E</b>	<b>Sierra de Banda Portátil</b>	<b>Manual de instrucciones</b>
<b>P</b>	<b>Serra de banda portátil</b>	<b>Manual de instruções</b>
<b>DK</b>	<b>Bærbar båndsav</b>	<b>Brugsanvisning</b>
<b>GR</b>	<b>Φορητό πριόνι ζώνης</b>	<b>Οδηγίες χρήσεως</b>

# 2107F

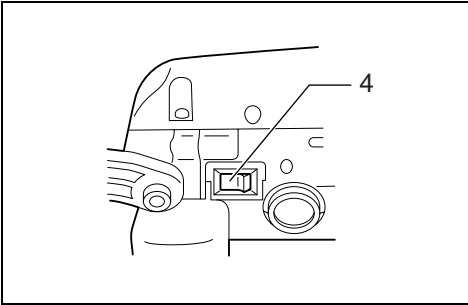




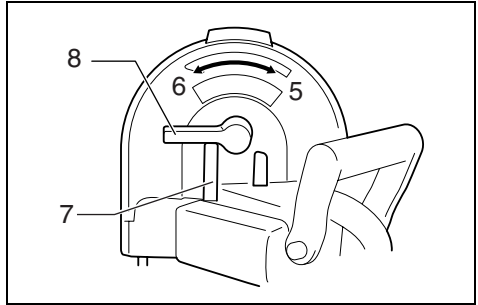
**1** 005894



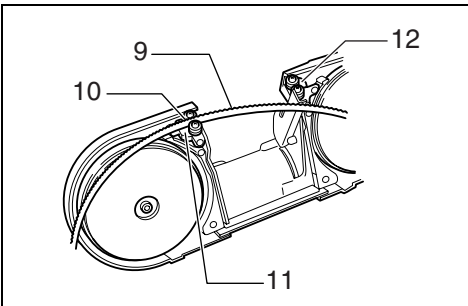
**2** 005896



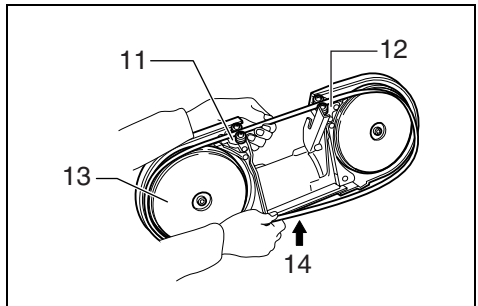
**3** 005897



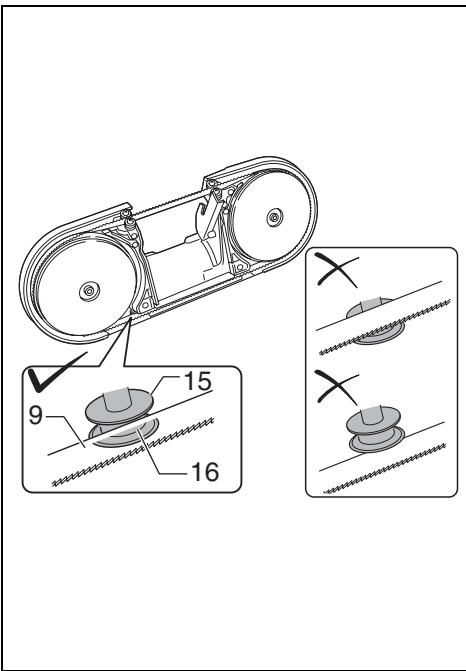
**4** 005898



**5** 005900

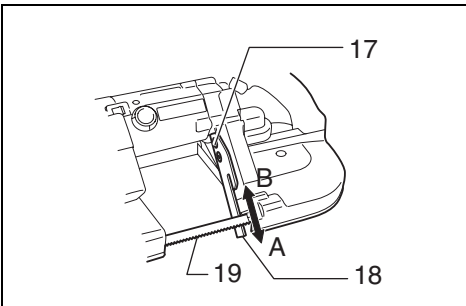


**6** 005901



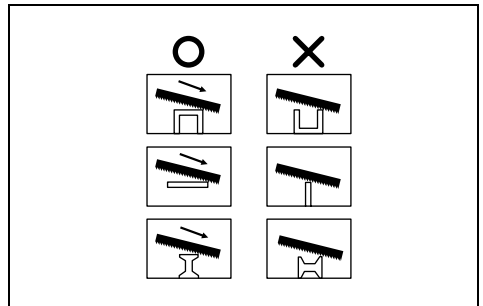
7

015673



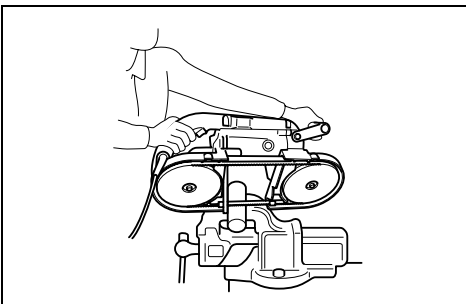
8

005902



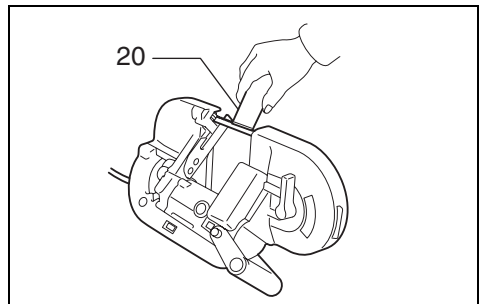
9

004747



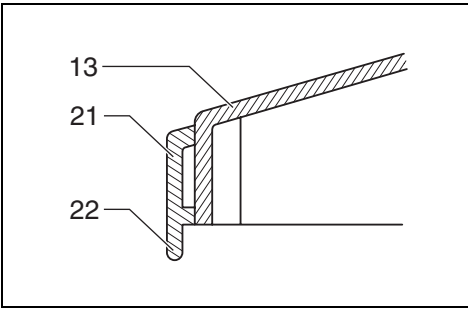
10

005916



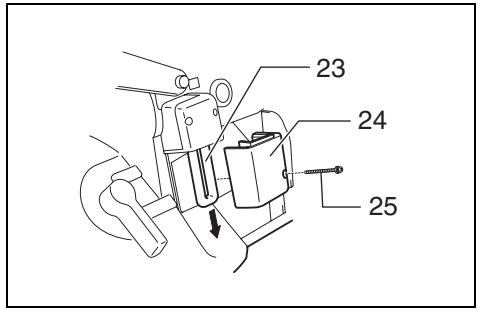
11

005903



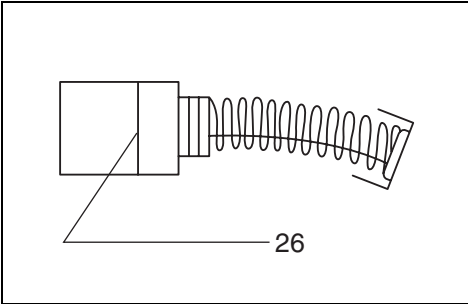
**12**

004750



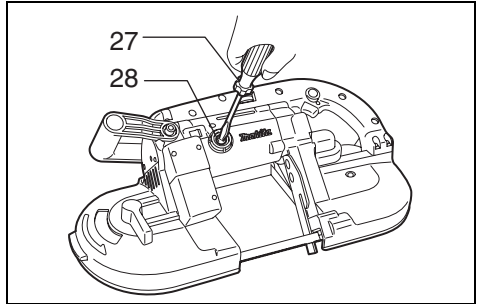
**13**

005905



**14**

001145



**15**

005906

**Explanation of general view**

1 Lock button	11 Upper holder	21 Tire
2 Switch trigger	12 Lower holder	22 Lip
3 Speed adjusting dial	13 Wheel	23 Fluorescent tube
4 Lamp switch	14 Press	24 Lamp box
5 Loosen	15 Blade guide	25 Tapping screw
6 Tighten	16 Groove	26 Limit mark
7 Protrusion	17 Screw	27 Screwdriver
8 Lever	18 Stopper plate	28 Brush holder cap
9 Blade	19 Blade	
10 Bearing	20 Cutting wax	

**SPECIFICATIONS**

Model		2107F
Max. cutting capacity	Round workpiece	120 mm dia.
	Rectangular workpiece	120 mm x 120 mm
Blade speed		1.0 – 1.7 m/s
Blade size	Length	1,140 mm
	Width	13 mm
	Thickness	0.5 mm
Overall dimensions	H x W x L	496 mm x 184 mm x 249 mm
Net weight		6.0 kg
Safety class		□/II

- Due to our continuing program of research and development, the specifications herein are subject to change without notice.
- Specifications may differ from country to country.
- Weight according to EPTA-Procedure 01/2003

ENE009-1

**Intended use**

The tool is intended for cutting in wood, plastic and ferrous materials.

ENF002-2

**Power supply**

The tool should be connected only to a power supply of the same voltage as indicated on the nameplate, and can only be operated on single-phase AC supply. They are double-insulated and can, therefore, also be used from sockets without earth wire.

GEA010-1

**General Power Tool Safety Warnings**

**⚠ WARNING** Read all safety warnings and all instructions. Failure to follow the warnings and instructions may result in electric shock, fire and/or serious injury.

Save all warnings and instructions for future reference.

GEB005-5

**PORTABLE BAND SAW SAFETY WARNINGS**

1. Hold power tool by insulated gripping surfaces, when performing an operation where the cutting accessory may contact hidden wiring or its own cord. Cutting accessories contacting a "live" wire may make exposed metal parts of the power tool "live" and could give the operator an electric shock.

2. Use only blades which are 1,140 mm (44-7/8") long, 13 mm (1/2") wide, and 0.5 mm (.020") thick.
3. Check the blade carefully for cracks or damage before operation. Replace cracked or damaged blade immediately.
4. Secure the workpiece firmly. When cutting a bundle of workpieces, be sure that all workpieces are secured together firmly before cutting.
5. Cutting workpieces covered with oil can cause the blade to come off unexpectedly. Wipe off all excess oil from workpieces before cutting.
6. Never use the cutting oil as a cutting lubricant. Use only Makita cutting wax.
7. Do not wear gloves during operation.
8. Hold the tool firmly with both hands.
9. Keep hands away from rotating parts.
10. When cutting metal, be cautious of hot flying chips.
11. Do not leave the tool running unattended.
12. Do not touch the blade or workpiece immediately after operation; they are extremely hot and could burn your skin.

**SAVE THESE INSTRUCTIONS.**

**WARNING:**

DO NOT let comfort or familiarity with product (gained from repeated use) replace strict adherence to safety rules for the subject product. MISUSE or failure to follow the safety rules stated in this instruction manual may cause serious personal injury.

## FUNCTIONAL DESCRIPTION

### CAUTION:

- Always be sure that the tool is switched off and unplugged before adjusting or checking function on the tool.

### Switch action (Fig. 1)

#### CAUTION:

- Before plugging in the tool, always check to see that the switch trigger actuates properly and returns to the "OFF" position when released.

To start the tool, simply pull the switch trigger. Release the switch trigger to stop.

For continuous operation, pull the switch trigger and then push in the lock button.

To stop the tool from the locked position, pull the switch trigger fully, then release it.

### Speed adjusting dial (Fig. 2)

The tool speed can be infinitely adjusted between 1.0 m/s and 1.7 m/s by turning the adjusting dial. Higher speed is obtained when the dial is turned in the direction of number 5; lower speed is obtained when it is turned in the direction of number 1.

Select the proper speed for the workpiece to be cut.

#### CAUTION:

- The speed adjusting dial can be turned only as far as 5 and back to 1. Do not force it past 5 or 1, or the speed adjusting function may no longer work.

### Lighting up the lamps (Fig. 3)

#### CAUTION:

- Do not apply impact to the light, which may cause damage or shorten service time to it.

To turn on the lamp, press the "I"(ON) side of the lamp switch. Press the "O"(OFF) side to turn it off.

#### NOTE:

- Use a dry cloth to wipe the dirt off the lens of lamp. Be careful not to scratch the lens of lamp, or it may lower the illumination.
- Do not use thinner or gasoline to clean the lamp. Such solvents may damage it.
- After operation, always turn off the light by pressing the "O (OFF)" side.

## ASSEMBLY

### CAUTION:

- Always be sure that the tool is switched off and unplugged before carrying out any work on the tool.

### Installing or removing the blade

#### CAUTION:

- Oil on the blade can cause the blade to slip or come off unexpectedly. Wipe off all excess oil with a cloth before installing the blade.
- Use caution when handling the blade so that you are not cut by the sharp edge of the blade teeth.

Turn the blade tightening lever clockwise until it hits against the protrusion on the frame. (Fig. 4)

Match the direction of the arrow on the blade to that of the arrow on the wheels.

Insert the blade between the bearings of the upper holder first and then into the lower holder. The blade back should contact the bearings in the lower portion of the upper holder and lower holder. (Fig. 5)

Position the blade around the wheels and insert the other side of the blade within the upper holder and lower holder until the blade back contacts the bottom of the upper holder and lower holder.

Put the blade into the groove in the blade guide.

Hold the blade in place and turn the blade-tightening lever counterclockwise until it hits against the protrusion on the frame. This places proper tension on the blade. Make sure that the blade is correctly positioned within the blade guard and around the wheels.

Start and stop the tool two or three times to make sure that the blade runs properly on the wheels. (Fig. 6 & 7)

#### CAUTION:

- While making sure that the blade runs on the wheels properly, keep your body away from the blade area.

To remove the blade, follow the installation procedure in reverse.

#### CAUTION:

- When turning the blade tightening lever clockwise to release the tension on the blade, point the tool downward because the blade may come off unexpectedly.

### Adjusting the protrusion of stopper plate (Fig. 8)

In the ordinary operation, protrude the stopper plate to the A side fully.

When the stopper plate strikes against the obstacles like a wall or the like at the finishing of a cut, loosen two screws and slide it to the B side in the figure.

After sliding the stopper plate, secure it by tightening two screws firmly.

## OPERATION

It is important to keep at least two teeth in the cut. Select the proper cutting position for your workpiece by referring to the figure. (Fig. 9)

Hold the tool by both hands as shown in the figure with the stopper plate contacting the workpiece and the blade clear of the workpiece.

Turn the tool on and wait until the blade attains full speed. Gently lower the blade into the cut. The weight of the tool or slightly pressing the tool will supply adequate pressure for the cutting. Do not force the tool.

As you reach the end of a cut, release pressure and, without actually raising the tool, lift it slightly so that it will not fall against the workpiece. (Fig. 10)

#### CAUTION:

- Applying excessive pressure to the tool or twisting of the blade may cause bevel cutting or damage to the blade.
- When not using the tool for a long period of time, remove the blade from the tool.

When cutting metals, use Makita cutting wax as a cutting lubricant. To apply the cutting wax to the blade teeth, start the tool and cut in to the cutting wax as shown in the figure after removing a cap of the cutting wax. (Fig. 11)

**CAUTION:**

- Never use cutting oil or apply excessive amount of wax to the blade. It may cause the blade to slip or come off unexpectedly.
- When cutting cast iron, do not use any cutting wax.

**MAINTENANCE****CAUTION:**

- Always be sure that the tool is switched off and unplugged before attempting to perform inspection or maintenance.
- Never use gasoline, benzine, thinner, alcohol or the like. Discoloration, deformation or cracks may result.

**Cleaning**

After use, remove wax, chips and dust from the tool, wheel tires and blade.

**CAUTION:**

- Never use solvents such as turpentine, gasoline, lacquer, etc. to clean plastic parts.
- Wax and chips on the tires may cause the blade to slip and come off unexpectedly. Use a dry cloth to remove wax and chips from the tires.

**Replacing tires on wheels (Fig. 12)**

When the blade slips or does not track properly because of badly worn tires, or the lip of the tire on motor side gets damaged, the tires should be replaced.

**Replacing fluorescent tube (Fig. 13)****CAUTION:**

- Always be sure that the tool is switched off and unplugged before replacing the fluorescent tube.
- Do not apply force, impact or scratch to a fluorescent tube, which can cause a glass of the fluorescent tube to be broken resulting in an injury to you or your bystanders.
- Leave the fluorescent tube for a while immediately after a use of it and then replace it. If not, you may burn yourself.

Remove screws, which secure Lamp Box for the light. Pull out the Lamp Box keeping pushing lightly the upper position of it as illustrated as the figure. Pull out the fluorescent tube and then replace it with Makita original new one.

**Replacing carbon brushes (Fig. 14 & 15)**

Remove and check the carbon brushes regularly. Replace when they wear down to the limit mark. Keep the carbon brushes clean and free to slip in the holders. Both carbon brushes should be replaced at the same time. Use only identical carbon brushes. Use a screwdriver to remove the brush holder caps. Take out the worn carbon brushes, insert the new ones and secure the brush holder caps.

To maintain product SAFETY and RELIABILITY, repairs, any other maintenance or adjustment should be performed by Makita Authorized Service Centers, always using Makita replacement parts.

**OPTIONAL ACCESSORIES****CAUTION:**

- These accessories or attachments are recommended for use with your Makita tool specified in this manual. The use of any other accessories or attachments might present a risk of injury to persons. Only use accessory or attachment for its stated purpose.

If you need any assistance for more details regarding these accessories, ask your local Makita service center.

- Band saw blades
- Hex wrench 4
- Cutting wax
- Portable band saw stand

**NOTE:**

- Some items in the list may be included in the tool package as standard accessories. They may differ from country to country.

ENG905-1

**Noise**

The typical A-weighted noise level determined according to EN60745:

- Sound pressure level ( $L_{pA}$ ): 86 dB (A)
- Sound power level ( $L_{WA}$ ): 98 dB (A)
- Uncertainty (K): 3 dB (A)

**Wear ear protection**

ENG900-1

**Vibration**

The vibration total value (tri-axial vector sum) determined according to EN60745:

- Work mode: cutting chipboard
- Vibration emission ( $a_{h,CW}$ ): 2.5 m/s<sup>2</sup> or less
- Uncertainty (K): 1.5 m/s<sup>2</sup>

- Work mode: cutting metal
- Vibration emission ( $a_{h,CM}$ ): 2.5 m/s<sup>2</sup> or less
- Uncertainty (K): 1.5 m/s<sup>2</sup>

ENG901-1

- The declared vibration emission value has been measured in accordance with the standard test method and may be used for comparing one tool with another.
- The declared vibration emission value may also be used in a preliminary assessment of exposure.

**WARNING:**

- The vibration emission during actual use of the power tool can differ from the declared emission value depending on the ways in which the tool is used.
- Be sure to identify safety measures to protect the operator that are based on an estimation of exposure in the actual conditions of use (taking account of all parts of the operating cycle such as the times when the tool is switched off and when it is running idle in addition to the trigger time).

**For European countries only**

**EC Declaration of Conformity**

**We Makita Corporation as the responsible manufacturer declare that the following Makita machine(s):**

Designation of Machine:

Portable Band Saw

Model No./ Type: 2107F

are of series production and

**Conforms to the following European Directives:**

98/37/EC until 28th December 2009 and then with  
2006/42/EC from 29th December 2009

And are manufactured in accordance with the following  
standards or standardised documents:

EN60745

The technical documentation is kept by our authorized  
representative in Europe who is:

Makita International Europe Ltd.

Michigan Drive, Tongwell,

Milton Keynes, MK15 8JD, England

30.1.2009



Tomoyasu Kato  
Director

Makita Corporation  
3-11-8, Sumiyoshi-cho,  
Anjo, Aichi, JAPAN



**Descriptif**

1 Bouton de verrouillage	11 Support supérieur	21 Bandage
2 Gâchette	12 Support inférieur	22 Lèvre
3 Cadran de réglage de la vitesse	13 Disque	23 Tube fluorescent
4 Interrupteur de lampe	14 Appuyer	24 Boîtier de lampe
5 Desserrer	15 Guide-lame	25 Vis autotaraudeuse
6 Serrer	16 Rainure	26 Repère d'usure
7 Partie saillante	17 Vis	27 Tournevis
8 Levier	18 Plaque de blocage	28 Bouchon de porte-charbon
9 Lame	19 Lame	
10 Roulement	20 Cire à coupe	

**SPÉCIFICATIONS**

Modèle		2107F
Capacité de coupe max.	Pièce ronde	Diamètre de 120 mm
	Pièce rectangulaire	120 mm x 120 mm
Vitesse de la lame		1,0 – 1,7 m/s
Taille de la lame	Longueur	1 140 mm
	Largeur	13 mm
	Épaisseur	0,5 mm
Dimensions	H x L x L	496 mm x 184 mm x 249 mm
Poids net		6,0 kg
Niveau de sécurité		☐/II

GEB005-5

- Étant donné l'évolution constante de notre programme de recherche et de développement, les spécifications contenues dans ce manuel sont sujettes à modification sans préavis.
- Les spécifications peuvent varier suivant les pays.
- Poids selon la procédure EPTA 01/2003

ENE009-1

**Utilisations**

L'outil est conçu pour la coupe du bois, du plastique et des matériaux ferreux.

ENF002-2

**Alimentation**

L'outil ne devra être raccordé qu'à une alimentation de la même tension que celle qui figure sur la plaque signalétique, et il ne pourra fonctionner que sur un courant secteur monophasé. Réalisé avec une double isolation, il peut de ce fait être alimenté sans mise à la terre.

GEA010-1

**Consignes de sécurité générales pour outils électriques**

**⚠ AVERTISSEMENT** Veuillez lire toutes les mises en garde et toutes les instructions. Il y a risque de choc électrique, d'incendie et/ou de blessure grave si les mises en garde et les instructions ne sont pas respectées.

**Conservez toutes les mises en garde et instructions pour référence ultérieure.**

**CONSIGNES DE SÉCURITÉ POUR LA SCIE À RUBAN PORTABLE**

1. **Saisissez l'outil électrique par ses surfaces de poigne isolées lorsque vous effectuez une opération au cours de laquelle l'outil tranchant peut entrer en contact avec un câble caché ou avec son propre cordon d'alimentation.** Le contact de l'outil tranchant avec un fil sous tension peut mettre les parties métalliques de l'outil électrique sous tension et causer un choc électrique chez l'utilisateur.
2. **Utilisez uniquement des lames d'une longueur de 1 140 mm, d'une largeur de 13 mm et d'une épaisseur de 0,5 mm.**
3. **Avant l'utilisation, assurez-vous que la lame ne comporte aucune fissure et qu'elle n'est pas endommagée. Remplacez immédiatement toute lame fissurée ou endommagée.**
4. **Fixez la pièce à travailler solidement. Lorsque vous coupez plusieurs pièces à la fois, assurez-vous qu'elles sont solidement fixées les unes aux autres avant de procéder à la coupe.**
5. **La lame risque de détacher de manière inattendue si vous coupez des pièces recouvertes d'huile. Essayez tout excès d'huile présent sur les pièces avant de les couper.**
6. **Ne jamais utiliser d'huile de coupe comme lubrifiant de coupe. Utilisez exclusivement la cire à coupe Makita.**
7. **Ne portez pas de gants lorsque vous utilisez cet outil.**
8. **Tenez l'outil fermement à deux mains.**

9. **Gardez les mains éloignées des pièces en rotation.**
10. **Lorsque vous coupez du métal, prenez garde aux projections de copeaux chauds.**
11. **Ne laissez pas votre outil sans surveillance alors qu'il est en marche.**
12. **Ne touchez ni la lame ni la pièce immédiatement après l'opération ; elles sont alors extrêmement chaudes et risquent de vous brûler la peau.**

## **CONSERVEZ CES INSTRUCTIONS.**

### **AVERTISSEMENT :**

**NE vous laissez PAS tromper (au fil d'une utilisation répétée) par un sentiment d'aisance et de familiarité avec le produit, en négligeant le respect rigoureux des consignes de sécurité qui accompagnent le produit en question. La MAUVAISE UTILISATION de l'outil ou l'ignorance des consignes de sécurité indiquées dans ce manuel d'instructions peut entraîner une blessure grave.**

## **DESCRIPTION DU FONCTIONNEMENT**

### **ATTENTION :**

- Assurez-vous toujours que l'outil est hors tension et débranché avant de l'ajuster ou de vérifier son fonctionnement.

### **Interrupteur (Fig. 1)**

#### **ATTENTION :**

- Avant de brancher l'outil, assurez-vous toujours que la gâchette fonctionne correctement et revient en position d'arrêt une fois relâchée.

Pour mettre l'outil en marche, tirez simplement sur la gâchette. Pour l'arrêter, relâchez la gâchette.

Pour un fonctionnement continu, appuyez sur la gâchette puis enfoncez le bouton de verrouillage.

Pour arrêter l'outil alors qu'il est en position verrouillée, appuyez à fond sur la gâchette puis relâchez-la.

### **Cadran de réglage de la vitesse (Fig. 2)**

La vitesse de l'outil peut être réglée sur toute valeur située entre 1,0 m/s et 1,7 m/s, en tournant le cadran de réglage. Une vitesse plus élevée est obtenue lorsque le cadran est tourné dans le sens du numéro 5. Une vitesse plus basse est obtenue lorsqu'il est tourné dans le sens du numéro 1.

Sélectionnez la vitesse appropriée pour la pièce à couper.

#### **ATTENTION :**

- Le cadran de réglage de la vitesse ne peut pas dépasser le 5 et le 1. Ne le forcez pas à dépasser le 5 ou le 1, sinon la fonction de réglage de la vitesse risque de ne plus fonctionner.

### **Allumage de la lampe (Fig. 3)**

#### **ATTENTION :**

- Évitez de faire subir des chocs à la lampe. Cela risquerait de l'endommager ou de réduire sa durée de service.

Pour allumer la lampe, appuyez sur le côté de l'interrupteur qui porte l'indication "I (ON)". Appuyez sur le côté qui porte l'indication "O (OFF)" pour l'éteindre.

### **NOTE :**

- Utilisez un chiffon sec pour essuyer la saleté qui recouvre la lentille de la lampe. Prenez garde de rayer la lentille de la lampe, pour éviter une diminution de l'éclairage.
- Ne pas utiliser de diluant ou d'essence pour nettoyer la lampe. De tels produits solvants risqueraient de l'endommager.
- Après l'utilisation, éteignez toujours la lumière en appuyant du côté "O (OFF)" de l'interrupteur.

## **ASSEMBLAGE**

### **ATTENTION :**

- Avant d'effectuer toute intervention sur l'outil, assurez-vous toujours qu'il est hors tension et débranché.

### **Installation ou retrait de la lame**

#### **ATTENTION :**

- La lame risque de glisser ou de se détacher de manière inattendue s'il y a de l'huile dessus. Essuyez tout excès d'huile avec un chiffon avant d'installer la lame.
- Soyez prudent lorsque vous manipulez la lame, pour éviter de vous couper au contact de ses dents très affûtées.

Tournez le levier de serrage de la lame dans le sens des aiguilles d'une montre jusqu'à ce qu'il frappe contre la partie saillante du cadre. **(Fig. 4)**

Faites correspondre le sens de la flèche sur la lame avec celui de la flèche sur les disques.

Insérez la lame entre les roulements du support supérieur puis entre ceux du support inférieur. Le dos de la lame doit être en contact avec les roulements dans la partie inférieure du support supérieur et du support inférieur. **(Fig. 5)**

Posez la lame autour des disques et insérez l'autre côté de la lame à l'intérieur du support supérieur et du support inférieur jusqu'à ce que le dos de la lame entre en contact avec le fond du support supérieur et du support inférieur.

Placez la lame dans la rainure du guide-lame.

Maintenez la lame en place et tournez le levier de serrage de la lame dans le sens inverse des aiguilles d'une montre jusqu'à ce qu'il frappe contre la partie saillante du cadre. La lame aura ainsi la tension adéquate. Assurez-vous que la lame est correctement placée à l'intérieur du protecteur de lame et autour des disques.

Démarrez et arrêtez l'outil deux ou trois fois pour vous assurer que la lame tourne bien sur les disques. **(Fig. 6 et 7)**

#### **ATTENTION :**

- Gardez votre corps à l'écart de la lame pendant que vous vérifiez qu'elle tourne bien autour des disques.

Pour retirer la lame, suivez la procédure d'installation dans l'ordre inverse.

#### **ATTENTION :**

- Lorsque vous tournez le levier de serrage de la lame dans le sens des aiguilles d'une montre pour réduire la tension de la lame, pointez l'outil vers le bas puisque la lame peut se détacher de manière inattendue.

## Réglage de la partie saillante de la plaque de blocage (Fig. 8)

Pour une utilisation normale, faites sortir la plaque de blocage complètement du côté A.

Si la plaque de blocage frappe contre les obstacles tels que les murs à la fin d'une coupe, desserrez les deux vis et glissez la plaque du côté B indiqué sur la figure.

Après avoir glissé la plaque de blocage, immobilisez-la en serrant fermement les deux vis.

## UTILISATION

Il est important de garder au moins deux dents dans la coupe. Sélectionnez la position de coupe appropriée pour la pièce, en vous référant à la figure. (Fig. 9)

Tenez l'outil à deux mains de la manière indiquée sur la figure, avec la plaque de blocage en contact avec la pièce mais sans que la lame n'entre en contact avec la pièce.

Mettez l'outil sous tension et attendez que la lame ait atteint sa pleine vitesse. Abaissez doucement la lame dans la ligne de coupe. Le propre poids de l'outil ou une légère pression suffira pour assurer une pression adéquate pour la coupe. Ne forcez pas l'outil.

Au moment de terminer la coupe, relâchez la pression et, sans vraiment lever l'outil, soulevez-le juste un peu de sorte qu'il ne tombe pas sur la pièce. (Fig. 10)

### ATTENTION :

- L'application d'une pression excessive sur l'outil ou la torsion de la lame peut entraîner une coupe en biseau ou l'endommagement de la lame.
- Lorsque la lame doit demeurer inutilisée pour une période prolongée, retirez-la de l'outil.

Lorsque vous coupez des pièces de métal, utilisez la cire à coupe Makita comme lubrifiant de coupe. Pour appliquer la cire à coupe sur les dents de la scie, retirez le bouchon de la cire à coupe, démarrez l'outil et coupez dans la cire, comme indiqué sur la figure. (Fig. 11)

### ATTENTION :

- Ne jamais utiliser d'huile de coupe ni appliquer une quantité excessive de cire sur la lame. La lame risquerait de glisser ou de se détacher de manière inattendue.
- N'utilisez aucune cire à coupe lorsque vous coupez de la fonte.

## ENTRETIEN

### ATTENTION :

- Assurez-vous toujours que l'outil est hors tension et débranché avant d'y effectuer tout travail d'inspection ou d'entretien.
- N'utilisez jamais d'essence, benzine, diluant, alcool ou autre produit similaire. Cela risquerait de provoquer la décoloration, la déformation ou la fissuration de l'outil.

## Nettoyage

Après l'utilisation, retirez la cire, les copeaux et la poussière de l'outil, des bandages de disque et de la lame.

### ATTENTION :

- N'utilisez jamais de solvants tels que térébenthine, essence ou laque pour nettoyer les pièces de plastique.
- La lame risque de glisser et de se détacher de manière inattendue s'il y a de la cire ou des copeaux sur les bandages. Utilisez un chiffon sec pour retirer la cire et les copeaux des bandages.

## Remplacement des bandages de disque (Fig. 12)

Les bandages doivent être remplacés lorsque la lame glisse ou dévie de sa trajectoire à cause d'une trop grande usure des bandages, ou lorsque la lèvre du bandage est endommagée du côté du moteur.

## Remplacement du tube fluorescent (Fig. 13)

### ATTENTION :

- Assurez-vous toujours que l'outil est hors tension et débranché avant de remplacer le tube fluorescent.
- Évitez d'appliquer une force sur le tube fluorescent, de lui faire subir un choc ou de le rayer, autrement il risquerait d'éclater, vous blessant ou blessant une personne se trouvant près de vous.
- Avant de remplacer un tube fluorescent qui vient tout juste d'être utilisé, laissez-le refroidir un instant. Autrement, vous risquez de vous brûler.

Retirez les vis qui retiennent le boîtier à lampe.

Tirez sur le boîtier à lampe tout en maintenant une légère pression sur sa position supérieure, comme indiqué sur la figure.

Retirez le tube fluorescent et remplacez-le par un tube neuf Makita.

## Remplacement des charbons (Fig. 14 et 15)

Retirez et vérifiez régulièrement les charbons. Remplacez-les lorsqu'ils sont usés jusqu'au trait de limite d'usure. Maintenez les charbons propres et en état de glisser aisément dans les porte-charbon. Les deux charbons doivent être remplacés en même temps. N'utilisez que des charbons identiques.

Utilisez un tournevis pour retirer les bouchons de porte-charbon. Enlevez les charbons usés, insérez-en de nouveaux et revissez solidement les bouchons de porte-charbon.

Pour maintenir la SÉCURITÉ et la FIABILITÉ du produit, les réparations, travaux d'entretien et autres réglages doivent être effectués dans un centre de service Makita agréé, exclusivement avec des pièces de rechange Makita.

## ACCESSOIRES EN OPTION

### ATTENTION :

Ces accessoires ou pièces complémentaires sont recommandés pour l'utilisation avec l'outil Makita spécifié dans ce mode d'emploi. L'utilisation de tout autre accessoire ou pièce peut comporter un risque de blessure. N'utilisez les accessoires ou pièces qu'aux fins mentionnées dans le présent mode d'emploi.

Si vous désirez obtenir plus de détails concernant ces accessoires, veuillez contacter le centre de service après-vente Makita le plus près.

- Lames de scie à ruban
- Clé hexagonale 4
- Cire à coupe
- Support de scie à ruban portable

**NOTE :**

- Il se peut que certains éléments de la liste soient compris dans l'emballage de l'outil en tant qu'accessoires standard. Ils peuvent varier d'un pays à l'autre.

ENG905-1

**Bruit**

Niveau de bruit pondéré A typique, déterminé selon EN60745 :

Niveau de pression sonore ( $L_{pA}$ ) : 86 dB (A)

Niveau de puissance sonore ( $L_{WA}$ ) : 98 dB (A)

Incertitude (K) : 3 dB (A)

**Porter des protecteurs anti-bruit**

ENG900-1

**Vibrations**

Valeur totale de vibrations (somme de vecteur triaxial) déterminée selon EN60745 :

Mode de travail : coupe de panneaux de copeaux

Émission de vibrations ( $a_{h,CW}$ ) : 2,5 m/s<sup>2</sup> ou moins

Incertitude (K) : 1,5 m/s<sup>2</sup>

Mode de travail : coupe de métal

Émission de vibrations ( $a_{h,CM}$ ) : 2,5 m/s<sup>2</sup> ou moins

Incertitude (K) : 1,5 m/s<sup>2</sup>

ENG901-1

- La valeur d'émission de vibrations déclarée a été mesurée conformément à la méthode de test standard et peut être utilisée pour comparer les outils entre eux.
- La valeur d'émission de vibrations déclarée peut aussi être utilisée pour l'évaluation préliminaire de l'exposition.

**AVERTISSEMENT :**

- L'émission de vibrations lors de l'usage réel de l'outil électrique peut être différente de la valeur d'émission déclarée, suivant la façon dont l'outil est utilisé.
- Les mesures de sécurité à prendre pour protéger l'utilisateur doivent être basées sur une estimation de l'exposition dans des conditions réelles d'utilisation (en tenant compte de toutes les composantes du cycle d'utilisation, comme par exemple le moment de sa mise hors tension, lorsqu'il tourne à vide et le moment de son déclenchement).

**Pour les pays d'Europe uniquement****Déclaration de conformité CE**

**Makita Corporation, en tant que fabricant responsable, déclare que la ou les machine(s) Makita suivante(s) :**

Désignation de la machine :

Scie à Ruban Portable

N° de modèle / Type : 2107F

sont produites en série et

**sont conformes aux Directives européennes suivantes :**

98/37/CE jusqu'au 28 décembre 2009, puis 2006/42/CE à compter du 29 décembre 2009

et qu'elles sont fabriquées conformément aux normes ou documents normalisés suivants :

EN60745

La documentation technique est conservée par notre représentant agréé en Europe, à savoir :

Makita International Europe Ltd.

Michigan Drive, Tongwell,

Milton Keynes, MK15 8JD, Angleterre

30.1.2009



Tomoyasu Kato

Directeur

Makita Corporation

3-11-8, Sumiyoshi-cho,

Anjo, Aichi, JAPAN

**Übersicht**

1 Arretierknopf	11 Oberer Halter	21 Reifen
2 Ein-Aus-Schalter	12 Unterer Halter	22 Lippe
3 Drehzahl-Stellrad	13 Rad	23 Leuchtstofflampengehäuse
4 Lampenschalter	14 Drücken	24 Lampengehäuse
5 Lösen	15 Sägeblattführung	25 Schneidschraube
6 Anziehen	16 Nut	26 Verschleißgrenze
7 Vorsprung	17 Schraube	27 Schraubendreher
8 Hebel	18 Anschlagplatte	28 Bürstenhalterkappe
9 Sägeblatt	19 Sägeblatt	
10 Lager	20 Schneidwachs	

**TECHNISCHE DATEN**

Modell		2107F
Max. Schnitttiefe	Rundes Werkstück	ø120 mm
	Rechteckiges Werkstück	120 mm x 120 mm
Sägeblattgeschwindigkeit		1,0 – 1,7 m/s
Sägeblattgröße	Länge	1 140 mm
	Breite	13 mm
	Dicke	0,5 mm
Gesamtabmessungen	H x B x L	496 mm x 184 mm x 249 mm
Nettogewicht		6,0 kg
Sicherheitsklasse		□/II

GEB005-5

- Wir behalten uns vor, Änderungen im Zuge der Entwicklung und des technischen Fortschritts ohne vorherige Ankündigung vorzunehmen.
- Die technischen Daten können von Land zu Land abweichen.
- Gewicht nach EPTA-Verfahren 01/2003

ENE009-1

**Vorgesehene Verwendung**

Diese Maschine ist für das Sägen von Holz, Kunststoff und Eisenmaterial vorgesehen.

ENF002-2

**Netzanschluss**

Die Maschine darf nur an die auf dem Typenschild angegebene Netzspannung angeschlossen werden und arbeitet nur mit Einphasen-Wechselspannung. Sie ist doppelt schutzisoliert und kann daher auch an Steckdose ohne Erdanschluss betrieben werden.

GEA010-1

**Allgemeine Sicherheitswarnungen für Elektrowerkzeuge**

**⚠️ WARNUNG Lesen Sie alle Sicherheitswarnungen und Anweisungen durch.** Eine Missachtung der unten aufgeführten Warnungen und Anweisungen kann zu einem elektrischen Schlag, Brand und/oder schweren Verletzungen führen.

**Bewahren Sie alle Warnungen und Anweisungen für spätere Bezugnahme auf.**

**BANDSÄGE-SICHERHEITSWARNUNGEN**

1. **Halten Sie Elektrowerkzeuge nur an den isolierten Griffflächen, wenn Sie Arbeiten ausführen, bei denen die Gefahr besteht, dass verborgene Kabel oder das eigene Kabel kontaktiert werden.** Bei Kontakt mit einem Strom führenden Kabel können die freiliegenden Metallteile des Elektrowerkzeugs ebenfalls Strom führend werden, so dass der Benutzer einen elektrischen Schlag erleiden kann.
2. **Verwenden Sie nur Sägeblätter von 1 140 mm Länge, 13 mm Breite und 0,5 mm Dicke.**
3. **Überprüfen Sie das Sägeblatt vor dem Betrieb sorgfältig auf Risse oder Beschädigung. Wechseln Sie ein gerissenes oder beschädigtes Sägeblatt unverzüglich aus.**
4. **Spannen Sie das Werkstück sicher ein. Wenn Sie mehrere Werkstücklagen schneiden, stellen Sie sicher, dass alle Werkstücke fest zusammengehalten werden, bevor Sie mit dem Schneiden beginnen.**
5. **Das Schneiden von ölbedeckten Werkstücken kann zu plötzlichem Lösen des Sägeblatts führen. Wischen Sie überschüssiges Öl vor dem Schneiden restlos ab.**
6. **Verwenden Sie niemals Schneidöl als Sägeschmiermittel. Verwenden Sie nur Makita-Schneidwachs.**
7. **Tragen Sie keine Handschuhe während der Arbeit.**
8. **Halten Sie die Maschine mit beiden Händen fest.**
9. **Halten Sie die Hände von rotierenden Teilen fern.**

10. Achten Sie beim Schneiden von Metall auf herausgeschleuderte heiße Späne.
11. Lassen Sie die Maschine nicht unbeaufsichtigt laufen.
12. Vermeiden Sie eine Berührung des Sägeblatts oder des Werkstücks unmittelbar nach der Bearbeitung, weil die Teile noch sehr heiß sind und Hautverbrennungen verursachen können.

## BEWAHREN SIE DIESE HINWEISE SORGFÄLTIG AUF.

### WARNUNG:

Lassen Sie sich NICHT durch Bequemlichkeit oder Vertrautheit mit dem Produkt (durch wiederholten Gebrauch erworben) von der strikten Einhaltung der Sicherheitsregeln für das vorliegende Produkt abhalten. MISSBRAUCH oder Missachtung der Sicherheitsvorschriften in dieser Anleitung können schwere Verletzungen verursachen.

## FUNKTIONSBESCHREIBUNG

### VORSICHT:

- Vergewissern Sie sich vor jeder Einstellung oder Funktionsprüfung der Maschine stets, dass sie ausgeschaltet und vom Stromnetz getrennt ist.

### Schalterfunktion (Abb. 1)

#### VORSICHT:

- Vergewissern Sie sich vor dem Anschließen der Maschine an das Stromnetz stets, dass der Ein-Aus-Schalter ordnungsgemäß funktioniert und beim Loslassen in die „OFF (AUS)“-Stellung zurückkehrt.

Zum Einschalten der Maschine drücken Sie einfach den Ein-Aus-Schalter. Lassen Sie zum Ausschalten den Ein-Aus-Schalter los.

Für Dauerbetrieb den Ein-Aus-Schalter betätigen, und dann den Arretierknopf hineindrücken.

Zum Ausrasten des Arretierknopfes drücken Sie den Ein-Aus-Schalter bis zum Anschlag hinein und lassen ihn dann los.

### Drehzahl-Stellrad (Abb. 2)

Die Maschinendrehzahl kann durch Drehen des Drehzahl-Stellrads stufenlos zwischen 1,0 m/s und 1,7 m/s eingestellt werden. Durch Drehen des Stellrads in Richtung der Nummer 5 wird die Drehzahl erhöht, während sie durch Drehen in Richtung 1 verringert wird.

Wählen Sie die geeignete Drehzahl für das zu schneidende Werkstück.

#### VORSICHT:

- Das Drehzahl-Stellrad lässt sich nur bis 5 und zurück auf 1 drehen. Wird es gewaltsam über 5 oder 1 hinaus gedreht, lässt sich die Drehzahl möglicherweise nicht mehr einstellen.

### Einschalten der Lampen (Abb. 3)

#### VORSICHT:

- Setzen Sie die Lampe keinen Erschütterungen aus, weil sie sonst beschädigt werden oder ihre Lebensdauer sich verkürzen kann.

Zum Einschalten der Lampe die Seite „I (EIN)“ des Lampenschalters drücken. Zum Ausschalten die Seite „O (AUS)“ drücken.

## HINWEIS:

- Wischen Sie Schmutz auf der Lampenlinse mit einem trockenen Tuch ab. Achten Sie sorgfältig darauf, dass Sie die Lampenlinse nicht verkratzen, weil sich sonst die Lichtstärke verringert.
- Verwenden Sie keinen Verdünner oder Benzin zum Reinigen der Lampe. Solche Lösungsmittel können die Lampe beschädigen.
- Schalten Sie die Lampe nach der Arbeit stets durch Drücken der Seite „O (AUS)“ aus.

## MONTAGE

### VORSICHT:

- Vergewissern Sie sich vor der Ausführung von Arbeiten an der Maschine stets, dass sie ausgeschaltet und vom Stromnetz getrennt ist.

### Montieren und Demontieren des Sägeblatts

#### VORSICHT:

- Öl auf dem Sägeblatt kann zu Durchrutschen oder plötzlichem Lösen des Sägeblatts führen. Wischen Sie überschüssiges Öl vor der Montage des Sägeblatts mit einem Lappen restlos ab.
- Lassen Sie bei der Handhabung des Sägeblatts Vorsicht walten, damit Sie sich nicht an den scharfen Kanten der Sägeblattzähne verletzen.

Drehen Sie den Sägeblatt-Spannhebel im Uhrzeigersinn, bis er gegen den Vorsprung am Rahmen stößt. (Abb. 4) Gleichen Sie die Richtung des Pfeils auf dem Sägeblatt an die Richtung des Pfeils auf den Rädern an.

Führen Sie das Sägeblatt zuerst zwischen die Lager des oberen Halters und dann in den unteren Halter ein. Die Rückseite des Sägeblatts muss die Lager im unteren Teil des oberen und unteren Halters berühren. (Abb. 5) Das Sägeblatt um die Räder führen, und die andere Seite des Sägeblatts zwischen den oberen und unteren Halter einführen, bis die Rückseite des Sägeblatts die Unterseite des oberen und unteren Halters berührt.

Setzen Sie das Sägeblatt in die Nut der Sägeblattführung ein.

Halten Sie das Sägeblatt in Position, und drehen Sie den Sägeblatt-Spannhebel entgegen dem Uhrzeigersinn, bis er gegen den Vorsprung des Rahmens stößt. Dadurch wird das Sägeblatt korrekt gespannt. Vergewissern Sie sich, dass das Sägeblatt korrekt in der Sägeblattführung und um die Räder positioniert ist.

Schalten Sie die Maschine zwei- bis dreimal ein und aus, um sicherzustellen, dass das Sägeblatt einwandfrei über die Räder läuft. (Abb. 6 und 7)

#### VORSICHT:

- Halten Sie Ihren Körper während dieser Prüfung vom Sägeblattbereich fern.

Zum Demontieren des Sägeblatts ist das Montageverfahren umgekehrt anzuwenden.

#### VORSICHT:

- Wenn Sie den Sägeblatt-Spannhebel zum Lockern des Sägeblatts im Uhrzeigersinn drehen, halten Sie die Maschine nach unten, weil das Sägeblatt plötzlich herauspringen kann.

## Einstellen des Vorsprungs der Anschlagplatte

### (Abb. 8)

Bei normalem Betrieb muss die Anschlagplatte vollständig in Richtung A überstehen.

Wenn die Anschlagplatte am Ende eines Schnitts gegen ein Hindernis, wie z.B. eine Wand oder dergleichen, stößt, lösen Sie die zwei Schrauben, und schieben Sie die Platte in Richtung B, wie in der Abbildung gezeigt. Sichern Sie die Anschlagplatte nach dem Verschieben, indem Sie die zwei Schrauben fest anziehen.

## BETRIEB

Es ist wichtig, mindestens zwei Zähne im Schnitt zu lassen. Wählen Sie die geeignete Schnittposition für Ihr Werkstück gemäß der Abbildung. (Abb. 9)

Halten Sie das Werkzeug gemäß der Abbildung mit beiden Händen, so dass die Anschlagplatte das Werkstück berührt und das Sägeblatt keinen Kontakt mit dem Werkstück hat.

Schalten Sie dann die Maschine ein und warten Sie, bis das Sägeblatt die volle Geschwindigkeit erreicht hat. Senken Sie das Sägeblatt vorsichtig in den Schnitt. Das Eigengewicht der Maschine oder leichtes Andrücken liefern genügend Druck für den Schnittvorgang. Üben Sie keinen übermäßigen Druck auf die Maschine aus.

Verringern Sie kurz vor dem Ende des Schnitts den Druck, und halten Sie die Maschine leicht hoch, ohne sie ganz anzuheben, damit sie nicht auf das Werkstück fällt.

### (Abb. 10)

#### VORSICHT:

- Übermäßige Druckausübung auf die Maschine oder Verdrehen des Sägeblatts kann einen schiefen Schnitt oder Beschädigung des Sägeblatts verursachen.
- Wenn Sie die Maschine längere Zeit nicht benutzen, entfernen Sie das Sägeblatt aus der Maschine.

Verwenden Sie zum Schneiden von Metall Makita-Schneidwachs als Schmiermittel. Um das Schneidwachs auf die Sägeblattzähne aufzutragen, schalten Sie die Maschine ein, und schneiden Sie in das Schneidwachs ein, wie in der Abbildung gezeigt, nachdem Sie die Kappe vom Schneidwachs abgenommen haben. (Abb. 11)

#### VORSICHT:

- Verwenden Sie auf keinen Fall Schneidöl, und tragen Sie auch nicht zu viel Wachs auf das Sägeblatt auf. Das Sägeblatt kann sonst durchrutschen oder sich plötzlich lösen.
- Tragen Sie zum Schneiden von Gusseisen kein Schneidwachs auf.

## WARTUNG

#### VORSICHT:

- Denken Sie vor der Durchführung von Überprüfungen oder Wartungsarbeiten stets daran, die Maschine auszuschalten und vom Stromnetz zu trennen.
- Verwenden Sie auf keinen Fall Benzin, Benzol, Verdünnern, Alkohol oder dergleichen. Solche Mittel können Verfärbung, Verformung oder Rissbildung verursachen.

## Reinigen

Entfernen Sie nach dem Gebrauch Wachs, Späne und Staub von Maschine, Radreifen und Sägeblatt.

#### VORSICHT:

- Verwenden Sie niemals Lösungsmittel, wie Terpentin, Benzin, Lackverdünner usw., zum Reinigen von Kunststoffteilen.
- Wachs und Späne auf den Reifen können Durchrutschen und plötzliches Lösen des Sägeblatts verursachen. Säubern Sie die Reifen mit einem trockenen Tuch von Wachs und Spänen.

## Auswechseln der Radreifen (Abb. 12)

Wenn das Sägeblatt wegen stark abgenutzter Reifen durchrutscht oder nicht richtig spurt, oder die Lippe des Reifens auf der Motorseite beschädigt wird, sollten die Reifen ausgewechselt werden.

## Auswechseln der Leuchtstoffröhre (Abb. 13)

#### VORSICHT:

- Vergewissern Sie sich vor dem Auswechseln der Leuchtstoffröhre stets, dass die Maschine ausgeschaltet und vom Stromnetz getrennt ist.
- Schützen Sie die Leuchtstoffröhre vor Druck, Stößen oder Kratzern, die das Glas der Leuchtstoffröhre zum Zerbrecen bringen können, wodurch Sie oder Umstehende verletzt werden können.
- Da die Leuchtstoffröhre unmittelbar nach dem Betrieb noch heiß ist, lassen Sie sie eine Zeitlang abkühlen, bevor Sie sie auswechseln. Anderenfalls können Sie sich verbrennen.

Entfernen Sie die Schrauben, mit denen das Lampengehäuse gesichert ist.

Ziehen Sie das Lampengehäuse heraus, während Sie leichten Druck auf die Oberseite ausüben, wie in der Abbildung gezeigt.

Ziehen Sie die Leuchtstoffröhre heraus, und ersetzen Sie sie durch ein neues Makita-Originalteil.

## Auswechseln der Kohlebürsten (Abb. 14 und 15)

Die Kohlebürsten müssen regelmäßig entfernt und überprüft werden. Wenn sie bis zur Verschleißgrenze abgenutzt sind, müssen sie erneuert werden. Halten Sie die Kohlebürsten stets sauber, damit sie ungehindert in den Haltern gleiten können. Beide Kohlebürsten sollten gleichzeitig erneuert werden. Verwenden Sie nur identische Kohlebürsten.

Drehen Sie die Bürstenhalterkappen mit einem Schraubendreher heraus. Nehmen Sie die abgenutzten Kohlebürsten heraus, setzen Sie die neuen ein, und drehen Sie dann die Bürstenhalterkappen wieder ein.

Um die SICHERHEIT und ZUVERLÄSSIGKEIT dieses Produkts zu gewährleisten, sollten Reparaturen und andere Wartungs- oder Einstellarbeiten nur von autorisierten Makita-Kundendienstzentren unter ausschließlicher Verwendung von Makita-Originalersatzteilen ausgeführt werden.

## VORSICHT:

- Die folgenden Zubehörteile oder Vorrichtungen werden für den Einsatz mit der in dieser Anleitung beschriebenen Makita-Maschine empfohlen. Die Verwendung anderer Zubehörteile oder Vorrichtungen kann eine Verletzungsgefahr darstellen. Verwenden Sie Zubehörteile oder Vorrichtungen nur für ihren vorgesehenen Zweck.

Wenn Sie weitere Einzelheiten bezüglich dieser Zubehörteile benötigen, wenden Sie sich bitte an Ihre Makita-Kundendienststelle.

- Bandsägeblätter
- Inbusschlüssel 4
- Schneidwachs
- Ständer für tragbare Bandsäge

## HINWEIS:

- Manche Teile in der Liste können als Standardzubehör im Werkzeugsatz enthalten sein. Sie können von Land zu Land unterschiedlich sein.

ENG905-1

## Geräusch

Typischer A-bewerteter Geräuschpegel ermittelt gemäß EN60745:

- Schalldruckpegel ( $L_{pA}$ ): 86 dB (A)
- Schalleistungspegel ( $L_{WA}$ ): 98 dB (A)
- Ungewissheit (K): 3 dB (A)

### Gehörschutz tragen

ENG900-1

## Vibration

Vibrationsgesamtwert (Drei-Achsen-Vektorsumme) ermittelt gemäß EN60745:

- Arbeitsmodus: Schneiden von Spanplatten
- Vibrationsemission ( $a_{h,CW}$ ): 2,5 m/s<sup>2</sup> oder weniger
- Ungewissheit (K): 1,5 m/s<sup>2</sup>

- Arbeitsmodus: Schneiden von Metall
- Vibrationsemission ( $a_{h,CM}$ ): 2,5 m/s<sup>2</sup> oder weniger
- Ungewissheit (K): 1,5 m/s<sup>2</sup>

ENG901-1

- Der angegebene Vibrationsemissionswert wurde im Einklang mit der Standardprüfmethode gemessen und kann für den Vergleich zwischen Maschinen herangezogen werden.
- Der angegebene Vibrationsemissionswert kann auch für eine Vorbewertung des Gefährdungsgrads verwendet werden.

## WARNUNG:

- Die Vibrationsemission während der tatsächlichen Benutzung des Elektrowerkzeugs kann je nach der Benutzungsweise der Maschine vom angegebenen Emissionswert abweichen.
- Identifizieren Sie Sicherheitsmaßnahmen zum Schutz des Benutzers anhand einer Schätzung des Gefährdungsgrads unter den tatsächlichen Benutzungsbedingungen (unter Berücksichtigung aller Phasen des Arbeitszyklus, wie z. B. Ausschalt- und Leerlaufzeiten der Maschine zusätzlich zur Betriebszeit).

## Nur für europäische Länder

### EG-Übereinstimmungserklärung

**Wir, die Firma Makita als verantwortlicher Hersteller, erklären, dass die folgende(n) Makita-Maschine(n):**

Bezeichnung der Maschine:

Bandsäge

Modell-Nr./ Typ: 2107F

der Serienproduktion entstammen und

**den folgenden europäischen Richtlinien entsprechen:**

98/37/EG bis 28. Dezember 2009 und dann 2006/42/EG ab 29. Dezember 2009

und gemäß den folgenden Standards oder standardisierten Dokumenten hergestellt werden:  
EN60745

Die technische Dokumentation befindet sich im Bestand unserer autorisierten Vertretung in Europa, nämlich:

Makita International Europe Ltd.

Michigan Drive, Tongwell,

Milton Keynes, MK15 8JD, England

30.1.2009



Tomoyasu Kato  
Direktor

Makita Corporation  
3-11-8, Sumiyoshi-cho,  
Anjo, Aichi, JAPAN



### Visione generale

1	Bottone di blocco	11	Supporto superiore	21	Pneumatico
2	Grilletto interruttore	12	Supporto inferiore	22	Labbro
3	Ghiera di regolazione velocità	13	Rotella	23	Scatola lampada tubo fluorescente
4	Interruttore lampada	14	Premere	24	Scatola lampada
5	Per allentare	15	Guida lama	25	Vite autofilettante
6	Per stringere	16	Scanalatura	26	Segno di limite
7	Sporgenza	17	Vite	27	Cacciavite
8	Leva	18	Piastra di fermo	28	Tappo portaspazzole
9	Lama	19	Lama		
10	Cuscinetto	20	Cera da taglio		

### DATI TECNICI

Modello		2107F
Capacità massima di taglio	Pezzo rotondo	ø120 mm
	Pezzo rettangolare	120 mm x 120 mm
Velocità lama		1,0 – 1,7 m/sec.
Dimensioni lama	Lunghezza	1.140 mm
	Larghezza	13 mm
	Spessore	0,5 mm
Dimensioni totali	Alt. x Largh. x Lungh.	496 mm x 184 mm x 249 mm
Peso netto		6,0 kg
Classe di sicurezza		II/II

GEB005-5

- Per il nostro programma di ricerca e sviluppo continui, i dati tecnici sono soggetti a modifiche senza preavviso.
- I dati tecnici potrebbero differire a seconda del paese di destinazione del modello.
- Peso in base alla procedura EPTA 01/2003

ENE009-1

#### Utilizzo prefissato

Questo utensile serve a tagliare il legno, la plastica e i materiali ferrosi.

ENF002-2

#### Alimentazione

L'utensile deve essere collegato ad una presa di corrente con la stessa tensione indicata sulla targhetta del nome, e può funzionare soltanto con la corrente alternata monofase. Esso ha un doppio isolamento per cui può essere usato con le prese di corrente sprovviste della messa a terra.

GEA010-1

#### Avvertimenti generali per la sicurezza dell'utensile elettrico

**⚠ AVVERTIMENTO Leggere tutti gli avvertimenti per la sicurezza e le istruzioni.** La mancata osservanza degli avvertimenti e delle istruzioni può causare scosse elettriche, incendio e/o gravi incidenti.

**Conservare tutti gli avvertimenti e le istruzioni per riferimenti futuri.**

### AVVERTIMENTI PER LA SICUREZZA SEGA A NASTRO PORTATILE

1. **Tenere gli utensili elettrici per le superfici di presa isolate quando si eseguono operazioni in cui l'utensile da taglio potrebbe fare contatto con fili elettrici nascosti o con il suo stesso cavo di alimentazione.** Se l'utensile da taglio entra in contatto con un filo elettrico "sotto tensione" mette "sotto tensione" le parti metalliche esposte dell'utensile, dando una scossa elettrica all'operatore.
2. **Usare soltanto lame di 1.140 mm di lunghezza, 13 mm di larghezza e 0,5 mm di spessore.**
3. **Controllare con cura che la lama non presenti crepe od altri danni. Sostituire immediatamente la lama se ci sono crepe od altri danni.**
4. **Fissare saldamente il pezzo. Per tagliare un fascio di pezzi, accertarsi che siano tutti fissati insieme prima di procedere.**
5. **Il taglio dei pezzi sporchi d'olio potrebbe far staccare inaspettatamente la lama. Togliere l'olio in eccesso dai pezzi prima del taglio.**
6. **Non si deve mai usare olio da taglio come lubrificante per il taglio. Usare soltanto la cera da taglio Makita.**
7. **Non indossare i guanti durante il lavoro.**
8. **Tenere saldamente l'utensile con entrambe le mani.**
9. **Tenere le mani lontane dalle parti rotanti.**
10. **Tagliando il metallo, fare attenzione ai trucioli che volano via.**
11. **Non lasciare l'utensile funzionante incustodito.**

12. **Non toccare la lama o il pezzo immediatamente dopo il taglio; essi sono estremamente caldi e potrebbero causare bruciature.**

## **CONSERVARE QUESTE ISTRUZIONI.**

### **AVVERTIMENTO:**

**NON lasciare che comodità o la familiarità d'utilizzo con il prodotto (acquisita con l'uso ripetuto) sostituisca la stretta osservanza delle norme di sicurezza. L'utilizzo SBAGLIATO o la mancata osservanza delle norme di sicurezza di questo manuale di istruzioni potrebbero causare lesioni serie.**

## **DESCRIZIONE DEL FUNZIONAMENTO**

### **ATTENZIONE:**

- Accertarsi sempre che l'utensile sia spento e staccato dalla presa di corrente prima di regolarlo o di controllarne il funzionamento.

### **Funzionamento dell'interruttore (Fig. 1)**

#### **ATTENZIONE:**

- Prima di collegare l'utensile alla presa di corrente, controllare sempre che l'interruttore funzioni correttamente e che torni sulla posizione "OFF" quando viene rilasciato.

Per avviare l'utensile, schiacciate semplicemente il grilletto interruttore. Rilasciare il grilletto interruttore per fermarlo.

Per il funzionamento continuo, schiacciare il grilletto interruttore e spingere poi dentro il bottone di blocco.

Per fermare l'utensile dalla posizione di blocco, schiacciare completamente il grilletto utensile e poi rilasciarlo.

### **Ghiera di regolazione velocità (Fig. 2)**

La velocità dell'utensile può essere regolata infinitamente da 1,0 m/sec. a 1,7 m/sec. girando la ghiera di regolazione. La velocità più alta si ottiene girando la ghiera nella direzione del numero 5; la velocità più bassa si ottiene girando la ghiera nella direzione del numero 1. Selezionare la velocità corretta per il pezzo da tagliare.

#### **ATTENZIONE:**

- La ghiera di regolazione velocità può essere girata soltanto fino a 5 o indietro fino a 1. Non forzarla oltre il 5 o l'1, perché altrimenti essa potrebbe non funzionare più correttamente.

### **Accensione della luce (Fig. 3)**

#### **ATTENZIONE:**

- Evitare colpi alla lampada, perché si potrebbero danneggiarla o ridurre la sua vita di servizio.

Per accendere la lampada, premere il lato "I (ON)" dell'interruttore lampada. Per spegnerla, premere il lato "O (OFF)".

#### **NOTA:**

- Usare un panno asciutto per togliere lo sporco dalla lente della lampada. Fare attenzione a non graffiare la lente della lampada, perché si potrebbe ridurre l'illuminazione.
- Per pulire la lampada, non usare solventi o benzina. Essi potrebbero danneggiarla.
- Dopo l'uso, spegnere sempre la lampada premendo il lato "O (OFF)".

## **MONTAGGIO**

### **ATTENZIONE:**

- Accertarsi sempre che l'utensile sia spento e staccato dalla presa di corrente prima di un qualsiasi intervento su di esso.

### **Installazione o rimozione della lama**

#### **ATTENZIONE:**

- L'olio sulla lama potrebbe farla slittare o staccare inaspettatamente. Togliere l'eccesso d'olio con un panno prima di installare la lama.
- Fare attenzione maneggiando la lama, per evitare di tagliarsi con il bordo affilato dei denti.

Girare la leva di tensione lama in senso orario finché tocca la sporgenza sul telaio. (Fig. 4)

Allineare la freccia sulla lama con la freccia sulle rotelle. Inserire prima la lama tra i cuscinetti del supporto superiore e poi nel supporto inferiore. La parte posteriore della lama deve fare contatto con i cuscinetti nella parte inferiore del supporto superiore e supporto inferiore. (Fig. 5)

Posizionare la lama intorno alle rotelle e inserire l'altro lato della lama entro il supporto superiore e inferiore finché la parte posteriore della lama fa contatto con la parte inferiore del supporto superiore e inferiore.

Mettere la lama nella scanalatura della guida della lama. Tenere la lama in posizione e girare la leva di tensione lama in senso antiorario finché tocca la sporgenza sul telaio. Ciò opera la tensione corretta della lama. Accertarsi che la lama sia posizionata correttamente entro la protezione lama e intorno alle rotelle.

Avviare e fermare l'utensile due o tre volte per accertarsi che la lama scorra correttamente sulle rotelle. (Fig. 6 e 7)

#### **ATTENZIONE:**

- Quando si controlla che la lama scorra correttamente sulle rotelle, tenere il corpo discosto dall'area della lama.

Per rimuovere la lama, seguire il procedimento opposto di installazione.

#### **ATTENZIONE:**

- Quando si gira la leva di tensione lama in senso orario per rilasciare la tensione della lama, rivolgere in basso l'utensile perché la lama potrebbe staccarsi inaspettatamente.

### **Regolazione della sporgenza piastra di fermo (Fig. 8)**

Per l'utilizzo normale, far sporgere completamente la piastra di fermo sul lato A.

Se alla fine di un taglio la piastra di fermo urta contro ostacoli quali una parete, ecc., allentare due viti e spingerla sul lato B nella figura.

Dopo aver spinto la piastra di fermo, fissarla stringendo saldamente le due viti.

## FUNZIONAMENTO

È importante mantenere almeno due denti nel taglio. Selezionare la posizione di taglio corretta per il pezzo riferendosi alla figura. (Fig. 9)

Tenere l'utensile con entrambe le mani, come mostrato in figura, con la piastra di fermo che fa contatto con il pezzo e la lama staccata dal pezzo.

Accendere l'utensile e aspettare finché la lama ha raggiunto la piena velocità. Abbassare delicatamente la lama nel taglio. Il peso dell'utensile o una pressione leggera su di esso forniscono la pressione adeguata per il taglio. Non forzare l'utensile.

Alla fine del taglio, rilasciare la pressione e, senza alzare l'utensile, sollevarlo leggermente in modo che non cada contro il pezzo. (Fig. 10)

### ATTENZIONE:

- Se si esercita una pressione eccessiva sull'utensile o si torce la lama, si potrebbe fare un taglio sbieco o danneggiare la lama.
- Rimuovere la lama se non si intende usare l'utensile per un lungo periodo di tempo.

Per il taglio dei metalli, usare la cera da taglio Makita come lubrificante per il taglio. Per applicare la cera da taglio ai denti della lama, avviare l'utensile e fare un taglio nella cera da taglio, come mostrato nella figura, dopo aver rimosso un tappo della cera da taglio. (Fig. 11)

### ATTENZIONE:

- Non si deve mai usare olio da taglio o applicare una quantità eccessiva di cera alla lama. La lama potrebbe slittare o staccarsi inaspettatamente.
- Non usare la cera da taglio per tagliare il ferro.

## MANUTENZIONE

### ATTENZIONE:

- Accertarsi sempre che l'utensile sia spento e staccato dalla presa di corrente prima dell'ispezione o della manutenzione.
- Mai usare benzina, benzene, solventi, alcol e altre sostanze simili. Potrebbero causare scolorimenti, deformazioni o crepe.

### Pulizia

Dopo l'uso, rimuovere la cera, i trucioli e la polvere dall'utensile, dai pneumatici delle rotelle e dalla lama.

### ATTENZIONE:

- Per pulire le parti di plastica, non si devono mai usare solventi, come trementina, benzina, lacca, ecc.
- La lama potrebbe slittare o staccarsi inaspettatamente se si lasciano la cera e i trucioli sui pneumatici delle rotelle. Usare un panno asciutto per togliere la cera e i trucioli dai pneumatici.

### Sostituzione dei pneumatici delle rotelle (Fig. 12)

I pneumatici devono essere sostituiti se la lama slitta o non scorre normalmente a causa dell'usura dei pneumatici, o se il labbro dei pneumatici sul lato del motore è danneggiato.

### Sostituzione del tubo fluorescente (Fig. 13)

#### ATTENZIONE:

- Accertarsi sempre che l'utensile sia spento e staccato dalla presa di corrente prima di sostituire il tubo fluorescente.
- Non usare forza, urtare o graffiare il tubo fluorescente, perché altrimenti si potrebbe rompere il suo vetro con pericolo di lesioni per sé e per chi è vicino.
- Non toccare per un certo tempo il tubo fluorescente o sostituirlo immediatamente dopo che è stato usato. C'è altrimenti pericolo di bruciature.

Togliere le viti che fissano la scatola lampada della luce. Tirare fuori la scatola lampada continuando a spingere leggermente la sua parte superiore, come mostrato in figura.

Estrarre il tubo fluorescente e sostituirlo con uno nuovo Makita genuino.

### Sostituzione delle spazzole di carbone

#### (Fig. 14 e 15)

Rimuovere i controllori regolarmente le spazzole di carbone. Sostituirle se sono usurate fino al segno di limite. Mantenere le spazzole di carbone pulite e libere di girare nei portaspazzole. Le spazzole di carbone devono essere sostituite entrambe allo stesso tempo. Usare soltanto spazzole di carbone identiche.

Usare un cacciavite per togliere i tappi portaspazzole. Tirar fuori le spazzole di carbone usurate, inserire quelle nuove e fissare i tappi portaspazzole.

Per mantenere la SICUREZZA e l'AFFIDABILITÀ del prodotto, le riparazioni e qualsiasi altra manutenzione o regolazione devono essere eseguite dai centri di assistenza Makita autorizzati usando sempre ricambi Makita.

## ACCESSORI OPZIONALI

### ATTENZIONE:

- Questi accessori o attrezzi sono consigliati per l'uso con l'utensile Makita specificato in questo manuale. L'impiego di altri accessori o attrezzi può costituire un rischio di lesioni alle persone. Usare gli accessori soltanto per il loro scopo prefissato.

Per maggiori dettagli e l'assistenza, rivolgersi al Centro Assistenza Makita locale.

- Lama sega a nastro
- Chiave esagonale 4
- Cera da taglio
- Banco di sega a nastro portatile

### NOTA:

- Alcuni articoli nella lista potrebbero essere inclusi nell'imballo dell'utensile come accessori standard. Essi potrebbero differire da Paese a Paese.

**Rumore**

Il tipico livello di rumore pesato A determinato secondo EN60745:

Livello pressione sonora ( $L_{pA}$ ): 86 dB (A)

Livello potenza sonora ( $L_{WA}$ ): 98 dB (A)

Incertezza (K): 3 dB (A)

**Indossare i paraorecchi**

ENG900-1

**Vibrazione**

Il valore totale di vibrazione (somma vettore triassiale) determinato secondo EN60745:

Modalità operativa: taglio dei trucioli

Emissione di vibrazione ( $a_{h,CW}$ ): 2,5 m/s<sup>2</sup> o meno

Incertezza (K): 1,5 m/s<sup>2</sup>

Modalità operativa: taglio dei metalli

Emissione di vibrazione ( $a_{h,CM}$ ): 2,5 m/s<sup>2</sup> o meno

Incertezza (K): 1,5 m/s<sup>2</sup>

ENG901-1

- Il valore di emissione delle vibrazioni dichiarato è stato misurato conformemente al metodo di test standard, e può essere usato per paragonare un utensile con un altro.
- Il valore di emissione delle vibrazioni dichiarato può anche essere usato per una valutazione preliminare dell'esposizione.

**AVVERTIMENTO:**

- L'emissione delle vibrazioni durante l'uso reale dell'utensile elettrico può differire dal valore di emissione dichiarato a seconda dei modi in cui viene usato l'utensile.
- Identificare le misure di sicurezza per la protezione dell'operatore basate sulla stima dell'esposizione nelle condizioni reali d'utilizzo (tenendo presente tutte le parti del ciclo operativo, come le volte in cui l'utensile viene spento e quando gira a vuoto, oltre al tempo di funzionamento).

**Modello per l'Europa soltanto****Dichiarazione CE di conformità**

**Noi della Makita Corporation, come produttori responsabili, dichiariamo che le macchine Makita seguenti:**

Designazione della macchina:

Sega a nastro portatile

Modello No./Tipo: 2107F

sono una produzione di serie e

**conformi alle direttive europee seguenti:**

98/37/CE fino al 28 dicembre 2009 e poi 2006/42/CE dal 29 dicembre 2009

E sono fabbricate conformemente ai seguenti standard o documenti standardizzati:

EN60745

La documentazione tecnica è tenuta dal nostro rappresentante autorizzato in Europa, che è:

Makita International Europe Ltd.

Michigan Drive, Tongwell,

Milton Keynes, MK15 8JD, England

30.1.2009



Tomoyasu Kato

Amministratore

Makita Corporation

3-11-8, Sumiyoshi-cho,

Anjo, Aichi, JAPAN

**Verklaring van algemene gegevens**

1 Vergrendelknop	11 Bovenste houder	21 Schijfband
2 Trekschakelaar	12 Onderste houder	22 Lip
3 Snelheidsregelknop	13 Schijf	23 Lampkast voor TL-buis
4 Lampschakelaar	14 Drukken	24 Lampkast
5 Losdraaien	15 Zaagbladgeleider	25 Tapschroef
6 Vastdraaien	16 Groef	26 Limietmarkering
7 Uitsteeksel	17 Schroef	27 Schroevendraaier
8 Spanhendel	18 Stopperplaat	28 Borstelhouderdop
9 Zaagblad	19 Zaagblad	
10 Lager	20 Snijwas	

**TECHNISCHE GEGEVENS**

Model		2107F
Max. zaagcapaciteit	Rond werkstuk	ø120 mm
	Rechthoekig werkstuk	120 mm x 120 mm
Zaagbladsnelheid		1,0 – 1,7 m/s
Afmetingen zaagblad	Lengte	1 140 mm
	Breedte	13 mm
	Dikte	0,5 mm
Afmetingen gereedschap	H x B x L	496 mm x 184 mm x 249 mm
Netto gewicht		6,0 kg
Veiligheidsklasse		II/II

GEB005-5

- In verband met ononderbroken research en ontwikkeling behouden wij ons het recht voor bovenstaande technische gegevens te wijzigen zonder voorafgaande kennisgeving.
- De technische gegevens kunnen van land tot land verschillen.
- Gewicht volgens de EPTA-procedure 01/2003

ENF009-1

**Doelinden van gebruik**

Het gereedschap is bedoeld voor het zagen van hout, kunststof en ijzermaterialen.

ENF002-2

**Stroomvoorziening**

Het gereedschap mag alleen worden aangesloten op een stroombron van hetzelfde voltage als aangegeven op de naamplaat, en kan alleen op enkel-fase wisselstroom worden gebruikt. Het gereedschap is dubbel-geïsoleerd en kan derhalve ook op een niet-geaard stopcontact worden aangesloten.

GEA010-1

**Algemene veiligheidswaarschuwingen voor elektrisch gereedschap**

**⚠ WAARSCHUWING! Lees alle veiligheidswaarschuwingen en alle instructies.** Het niet volgen van de waarschuwingen en instructies kan leiden tot elektrische schokken, brand en/of ernstig letsel.

**Bewaar alle waarschuwingen en instructies om in de toekomst te kunnen raadplegen.**

**VEILIGHEIDSWAARSCHUWINGEN VOOR DRAAGBARE BANDZAAG**

1. **Houd elektrisch gereedschap vast aan het geïsoleerde oppervlak van de handgrepen wanneer u werkt op plaatsen waar het slijpaccessoire met verborgen bedrading of zijn eigen snoer in aanraking kan komen.** Wanneer het booraccessoire in aanraking komen met onder spanning staande draden, zullen de niet-geïsoleerde metalen delen van het gereedschap onder spanning komen te staan zodat de gebruiker een elektrische schok kan krijgen.
2. **Gebruik uitsluitend zaagbladen die 1 140 mm lang, 13 mm breed, en 0,5 mm dik zijn.**
3. **Controleer het zaagblad vóór elk gebruik zorgvuldig op barsten of beschadiging. Een gebarsten of beschadigd zaagblad dient onmiddellijk te worden vervangen.**
4. **Zet het werkstuk stevig vast. Voordat u een bundel werkstukken gaat zagen, dient u ervoor te zorgen dat alle werkstukken stevig samengebondeld zijn.**
5. **Bij het zagen van werkstukken die met olie zijn bedekt, kan het zaagblad onverwacht uit het werkstuk wegschieten. Veeg alle olie op het werkstuk eraf voordat u gaat zagen.**
6. **Gebruik nooit snijolie als snijsmearmiddel. Gebruik uitsluitend Makita snijwas.**
7. **Draag geen handschoenen tijdens het zagen.**
8. **Houd het gereedschap stevig vast met beide handen.**

9. Houd uw handen uit de buurt van de draaiende delen.
10. Bij het zagen van metaal dient u op te letten voor hete rondvliegende spanen.
11. Laat het gereedschap niet achter terwijl het nog ingeschakeld is.
12. Raak het zaagblad of het werkstuk niet aan onmiddellijk na het gebruik; deze zijn uiterst heet en kunnen brandwonden veroorzaken.

## BEWAAR DEZE VOORSCHRIFTEN.

### WAARSCHUWING:

Laat u NIET misleiden door een vals gevoel van comfort en bekendheid met het gereedschap (na veelvuldig gebruik) en neem alle veiligheidsvoorschriften van het betreffende gereedschap altijd strikt in acht. VERKEERD GEBRUIK of het niet naleven van de veiligheidsvoorschriften in deze gebruiksaanwijzing kan leiden tot ernstige verwondingen.

## BESCHRIJVING VAN DE FUNCTIES

### LET OP:

- Zorg altijd dat het gereedschap is uitgeschakeld en zijn stekker uit het stopcontact is verwijderd alvorens de functies op het gereedschap te controleren of af te stellen.

### Werking van de schakelaar (Fig. 1)

#### LET OP:

- Voordat u de stekker in een stopcontact steekt, moet u altijd controleren of de trekschakelaar goed werkt en bij het loslaten naar de "OFF" (uitgeschakeld) positie terugkeert.

Om het gereedschap te starten, drukt u gewoon de trek-schakelaar in. Laat de trekschakelaar los om het gereedschap te stoppen.

Voor continu zagen, drukt u de trekschakelaar in en vervolgens drukt u de vergrendelknop in.

Om het gereedschap vanuit de vergrendelde stand te stoppen, drukt u de trekschakelaar volledig in en daarna laat u hem los.

### Snelheidsregelknop (Fig. 2)

Door de snelheidsregelknop te draaien kunt u de draai-snelheid van het gereedschap instellen op een willekeurige waarde tussen 1,0 m/s en 1,7 m/s. De snelheid vermindert wanneer u de knop in de richting van het cijfer 5 draait, en vermindert wanneer u hem in de richting van het cijfer 1 draait.

Kies de snelheid die geschikt is voor het te zagen werk-stuk.

#### LET OP:

- De snelheidsregelknop kan niet verder dan 5 en niet verder terug dan 1 worden gedraaid. Forceer de knop niet voorbij 5 of 1, omdat de snelheidsregeling dan mogelijk niet meer juist zal werken.

### Aanzetten van de lamp (Fig. 3)

#### LET OP:

- Stel de lamp niet bloot aan schokken of stoten, daar de lamp hierdoor beschadigd kan raken of minder lang zal meegaan.

Druk op de "I (ON)" zijde van de lampschakelaar om de lamp aan te zetten. Druk op de "O (OFF)" zijde om de lamp uit te doen.

### OPMERKING:

- Gebruik een droge doek om vuil op de lens van de lamp eraf te vegen. Pas op dat u geen krassen maakt op de lens, omdat de verlichtingssterkte daardoor kan verminderen.
- Gebruik nooit verdunner of benzine om de lamp te reinigen. Dergelijke oplosmiddelen kunnen de lamp beschadigen.
- Schakel de lamp na het gebruik altijd uit door op de "O (OFF)" zijde te drukken.

## INEENZETTEN

### LET OP:

- Zorg altijd dat het gereedschap is uitgeschakeld en zijn stekker uit het stopcontact is verwijderd alvorens enig werk aan het gereedschap uit te voeren.

### Installeren of verwijderen van het zaagblad

#### LET OP:

- Als er olie op het zaagblad zit, kan het zaagblad slippen of plotseling uit het werkstuk wegschieten. Gebruik een doek om alle olie van het zaagblad te verwijderen voordat u het zaagblad installeert.
- Hanteer het zaagblad voorzichtig om snijwonden, veroorzaakt door de scherpe randen van de zaagbladtanden, te voorkomen.

Draai de zaagblad-spanhendel naar rechts tot hij tegen het uitsteeksel op het frame komt te zitten. (Fig. 4)

Monteer het zaagblad zodanig dat het pijltje op het zaagblad in dezelfde richting wijst als het pijltje op de schijven. Steek het zaagblad eerst tussen de lagers van de bovenste houder en dan in de onderste houder. De rug van het zaagblad moet in aanraking komen met de lagers in het onderste deel van de bovenste houder en de onderste houder. (Fig. 5)

Monteer het zaagblad op de schijven en steek de andere zijde van het zaagblad in de bovenste en de onderste houders zodat de rug van het zaagblad tegen de onderzijde van de bovenste en de onderste houders komt te zitten.

Plaats het zaagblad in de groef van de zaagbladgeleider. Houd het zaagblad op zijn plaats en draai de zaagblad-spanhendel naar links totdat hij tegen het uitsteeksel op het frame komt te zitten. Op deze manier wordt het zaagblad juist aangespannen. Controleer of het zaagblad op de juiste manier in de zaagbladgeleider en op de schijven is gemonteerd.

Start en stop het gereedschap twee- of driemaal om te controleren of het zaagblad goed op de schijven loopt. (Fig. 6 en 7)

#### LET OP:

- Houd uw lichaam uit de buurt van het zaagblad wanneer u controleert of het zaagblad goed op de schijven loopt.

Om het zaagblad te verwijderen, voert u de installatieprocedure in de omgekeerde volgorde uit.

#### LET OP:

- Wanneer u de zaagblad-spanhendel naar rechts draait om de zaagbladspanning te verminderen, dient u het gereedschap naar omlaag gericht te houden omdat het zaagblad onverwacht los kan komen van de schijven.

## De uitsteking van de stopperplaat afstellen (Fig. 8)

Normaal dient de stopperplaat volledig naar de zijde A uit te steken.

Als de stopperplaat bij het voltooiën van een zaagbediening tegen obstakels zoals een muur e.d. stoot, draai dan de twee schroeven los en schuif de stopperplaat naar de zijde B op de afbeelding.

Draai de twee schroeven na het afstellen van de stopperplaat weer stevig aan.

## BEDIENING

Het is belangrijk dat u altijd tenminste twee zaagtanden in de zaagsnede houdt. Raadpleeg de afbeelding om de juiste zaagpositie voor uw werkstuk te bepalen. (Fig. 9)

Houd het gereedschap met beide handen vast, zoals afgebeeld, met de stopperplaat tegen het werkstuk en het zaagblad niet in aanraking met het werkstuk.

Schakel het gereedschap in en wacht tot het zaagblad met volle snelheid draait. Zet het zaagblad langzaam in de snede. Het gewicht van het gereedschap zelf of een lichte druk op het gereedschap levert voldoende druk op voor het zagen. Forceer het gereedschap niet.

Los de druk op het gereedschap zodra de snede bijna voltooid is, en til het gereedschap ietwat op zonder het werkelijk naar omhoog te brengen, om te voorkomen dat het gereedschap tegen het werkstuk stoot. (Fig. 10)

### LET OP:

- Overmatige druk op het gereedschap of verbuiging van het zaagblad kan leiden tot scheve zaagsneden of beschadiging van het zaagblad.
- Verwijder het zaagblad van het gereedschap wanneer u het gereedschap voor langere tijd niet gaat gebruiken.

Voor het zagen van metaal dient u Makita snijwas te gebruiken als smeermiddel voor het zaagblad. Om snijwas op de zaagbladtanden aan te brengen, start u het gereedschap en snijdt u in de snijwas, zoals afgebeeld, nadat u eerst de dop van de snijwas hebt verwijderd. (Fig. 11)

### LET OP:

- Gebruik nooit snijolie en breng nooit te veel snijwas aan op het zaagblad. Hierdoor kan het zaagblad namelijk slippen of plotseling uit het werkstuk weg-schieten.
- Gebruik nooit snijwas wanneer u gegoten ijzer zaagt.

## ONDERHOUD

### LET OP:

- Zorg altijd dat het gereedschap is uitgeschakeld en zijn stekker uit het stopcontact is verwijderd alvorens te beginnen met inspectie of onderhoud.
- Gebruik nooit benzine, wasbenzine, thinner, alcohol en dergelijke. Hierdoor het verkleuring, vervormingen en barsten worden veroorzaakt.

### Schoonmaken

Verwijder na het gebruik alle was, spanen en stof van het gereedschap, de schijfbanden en het zaagblad.

### LET OP:

- Gebruik nooit oplosmiddelen zoals terpentijn, benzine, vernis e.d. om plastic onderdelen te reinigen.

- Als er was en spanen op de schijfbanden achterblijven, kan het zaagblad slippen of loskomen van de schijven. Gebruik een droge doek om was en spanen van de schijfbanden te verwijderen.

## De schijfbanden vervangen (Fig. 12)

De schijfbanden dienen te worden vervangen wanneer het zaagblad slijpt of niet goed loopt vanwege te sterk versleten schijfbanden, of wanneer de lip van de band aan de motorzijde beschadigd is.

## De TL-buis vervangen (Fig. 13)

### LET OP:

- Zorg altijd dat het gereedschap is uitgeschakeld en zijn stekker uit het stopcontact is verwijderd alvorens de TL-buis te vervangen.
- Bescherm de TL-buis tegen stoten, krassen of schokken waardoor het glas van de TL-buis zou kunnen breken met mogelijke verwonding van uzelf of omstanders als gevolg.
- Laat de TL-buis na het gebruik een tijdje afkoelen alvorens deze te vervangen. De buis is dan namelijk nog heet en kan brandwonden veroorzaken.

Verwijder de schroeven van de lampkast.

Trek de lampkast eruit terwijl u lichtjes blijft drukken op het bovenste gedeelte ervan zoals op de afbeelding te zien is.

Trek de TL-buis eruit en vervang deze door een nieuwe originele Makita TL-buis.

## De koolborstels vervangen (Fig. 14 en 15)

Verwijder en controleer regelmatig de koolborstels. Vervang de koolborstels wanneer ze tot aan de limietmarkering versleten zijn. Houd de koolborstels schoon zodat ze vlot in hun houders glijden. Beide koolborstels dienen tegelijkertijd te worden vervangen. Gebruik uitsluitend identieke koolborstels.

Gebruik een schroevendraaier om de borstelhouderdoppen te verwijderen. Haal de versleten koolborstels eruit, schuif de nieuwe erin, en zet de borstelhouderdoppen weer goed vast.

Om de VEILIGHEID en BETROUWBAARHEID van het product te waarborgen, dienen alle reparaties, onderhoudswerk of afstellingen te worden uitgevoerd door een erkend Makita servicecentrum, altijd met gebruik van Makita vervangingsonderdelen.

## OPTIONELE ACCESSOIRES

### LET OP:

- Deze accessoires of hulpstukken worden aanbevolen voor gebruik met het Makita gereedschap dat in deze gebruiksaanwijzing wordt beschreven. Het gebruik van andere accessoires of hulpstukken kan gevaar voor persoonlijke verwonding opleveren. Gebruik de accessoires of hulpstukken uitsluitend voor het gespecificeerde doel.

Wenst u meer informatie over deze accessoires, neem dan contact op met het dichtstbijzijnde Makita servicecentrum.

- Bandzaagbladen
- Inbussleutel 4
- Snijwas
- Standaard voor draagbare bandzaag

**OPMERKING:**

- Sommige onderdelen in deze lijst kunnen bij het gereedschap zijn meegeleverd als standaard-accessoires. Deze kunnen van land tot land verschillen.

ENG905-1

**Geluidsniveau**

De typisch, A-gewogen geluidsniveaus vastgesteld volgens EN60745:

- Geluidsdrukniveau ( $L_{pA}$ ): 86 dB (A)
- Geluidsenergie-niveau ( $L_{WA}$ ): 98 dB (A)
- Onnauwkeurigheid (K): 3 dB (A)

**Draag oorbeschermers**

ENG900-1

**Trilling**

De totaalwaarde van de trillingen (triaxiale vectorsom) vastgesteld volgens EN60745:

- Toepassing: zagen van spaanplaat
- Trillingsemissie ( $a_{h,CW}$ ): 2,5 m/s<sup>2</sup> of lager
- Onnauwkeurigheid (K): 1,5 m/s<sup>2</sup>

- Toepassing: zagen van metaal
- Trillingsemissie ( $a_{h,CM}$ ): 2,5 m/s<sup>2</sup> of lager
- Onnauwkeurigheid (K): 1,5 m/s<sup>2</sup>

ENG901-1

- De opgegeven trillingsemissiewaarde is gemeten volgens de standaardtestmethode en kan worden gebruikt om dit gereedschap te vergelijken met andere gereedschappen.
- De opgegeven trillingsemissiewaarde kan ook worden gebruikt voor een beoordeling vooraf van de blootstelling.

**WAARSCHUWING:**

- De trillingsemissie tijdens het gebruik van het elektrisch gereedschap in de praktijk kan verschillen van de opgegeven trillingsemissiewaarde afhankelijk van de manier waarop het gereedschap wordt gebruikt.
- Zorg ervoor dat veiligheidsmaatregelen worden getroffen ter bescherming van de operator die zijn gebaseerd op een schatting van de blootstelling onder praktijkomstandigheden (rekening houdend met alle fasen van de bedrijfscyclus, zoals de tijdsduur gedurende welke het gereedschap is uitgeschakeld en stationair draait, naast de ingeschakelde tijdsduur).

**Alleen voor Europese landen****EU-Verklaring van Conformiteit**

**Wij, Makita Corporation, als de verantwoordelijke fabrikant, verklaren dat de volgende Makita-machine(s):**

Aanduiding van de machine:

Draagbare bandzaag

Modelnr./Type: 2107F

in serie zijn geproduceerd en

**Volgen aan de volgende Europese richtlijnen:**

98/37/EU tot en met 28 december 2009 en daarna aan 2006/42/EU vanaf 29 december 2009

En zijn gefabriceerd in overeenstemming met de volgende normen of genormaliseerde documenten: EN60745

De technische documentatie wordt bewaard door onze erkende vertegenwoordiger in Europa, te weten:

Makita International Europe Ltd.

Michigan Drive, Tongwell,

Milton Keynes, MK15 8JD, Engeland

30.1.2009



Tomoyasu Kato

Directeur

Makita Corporation

3-11-8, Sumiyoshi-cho,

Anjo, Aichi, JAPAN



**Explicación de los dibujos**

1 Botón de bloqueo	10 Cojinete	20 Cera para cuchillas
2 Gatillo interruptor	11 Soporte superior	21 Neumático
3 Dial de regulación de la velocidad	12 Soporte inferior	22 Labio
4 Interruptor de la lámpara	13 Disco	23 Tubo fluorescente
5 Aflojar	14 Presionar	24 Caja de lámpara
6 Apretar	15 Guía de banda	25 Tornillo autorroscante
7 Protuberancia	16 Ranura	26 Marca límite
8 Palanca	17 Tornillo	27 Destornillador
9 Banda	18 Placa de tope	28 Tapón portaescobillas
	19 Banda	

**ESPECIFICACIONES**

Modelo		2107F
Capacidad de corte máxima	Pieza de trabajo redonda	ø120 mm
	Pieza de trabajo rectangular	120 mm x 120 mm
Velocidad de la banda		1,0 – 1,7 m/s
Tamaño de la banda	Longitud	1.140 mm
	Anchura	13 mm
	Grosor	0,5 mm
Dimensiones generales	Al x An x La	496 mm x 184 mm x 249 mm
Peso neto		6,0 kg
Clase de seguridad		□/II

GEB005-5

- Debido a un programa continuo de investigación y desarrollo, las especificaciones aquí dadas están sujetas a cambios sin previo aviso.
- Las especificaciones pueden ser diferentes de país a país.
- Peso de acuerdo con el procedimiento EPTA 01/2003  
ENE009-1

**Uso previsto**

La herramienta ha sido prevista para cortar madera, plástico y materiales ferrosos.

ENF002-2

**Alimentación**

La herramienta ha de conectarse solamente a una fuente de alimentación de la misma tensión que la indicada en la placa de características, y sólo puede funcionar con corriente alterna monofásica. El sistema de doble aislamiento de la herramienta puede, por lo tanto, usarse también en enchufes hembra sin conductor de tierra.

GEA010-1

**Advertencias de seguridad generales para herramientas eléctricas**

**⚠ ¡ADVERTENCIA!** Lea todas las advertencias de seguridad y todas las instrucciones. Si no sigue todas las advertencias e instrucciones podrá ocasionar una descarga eléctrica, un incendio y/o heridas graves.

**Guarde todas las advertencias e instrucciones para futuras referencias.**

**ADVERTENCIAS DE SEGURIDAD PARA LA SIERRA DE BANDA PORTÁTIL**

1. Cuando realice una operación en la que el accesorio de corte pueda entrar en contacto con cableado oculto o con su propio cable, sujete las herramientas eléctricas por las superficies de aislamiento aisladas. El contacto del accesorio de corte con un cable con corriente hará que la corriente circule por las partes metálicas expuestas de la herramienta eléctrica y podrá soltar una descarga eléctrica al operario.
2. Utilice solamente bandas de sierra que tengan 1.140 mm de longitud, 13 mm de anchura, y 0,5 mm de grosor.
3. Compruebe la banda cuidadosamente para ver si tiene grietas o daños antes de comenzar la operación. Reemplace la banda inmediatamente si está agrietada o dañada.
4. Sujete la pieza de trabajo firmemente. Cuando quiera cortar un manojo de piezas de trabajo, asegúrese de que todas las piezas de trabajo estén sujetas juntas firmemente antes de cortar.
5. Si corta piezas de trabajo cubiertas con aceite la banda podrá salirse inesperadamente. Limpie todos los restos de aceite de la pieza de trabajo antes de cortar.
6. No utilice nunca lubricante para cuchillas como lubricante para operaciones de corte. Utilice solamente cera para cuchillas Makita.
7. No se ponga guantes durante la operación.
8. Sujete la herramienta firmemente con ambas manos.

9. Mantenga las manos alejadas de las partes giratorias.
10. Cuando corte metal, tenga cuidado con las virutas que saltan volando calientes.
11. No deje la herramienta en marcha desatendida.
12. No toque la banda ni la pieza de trabajo inmediatamente después de la operación; estarán muy calientes y podrán quemarle la piel.

## GUARDE ESTAS INSTRUCCIONES

### ADVERTENCIA:

NO deje que la comodidad o familiaridad con el producto (a base de utilizarlo repetidamente) sustituya la estricta observancia de las normas de seguridad para el producto en cuestión. El MAL USO o el no seguir las normas de seguridad establecidas en este manual de instrucciones podrá ocasionar graves heridas personales.

## DESCRIPCIÓN DEL FUNCIONAMIENTO

### PRECAUCIÓN:

- Asegúrese siempre de que la herramienta esté apagada y desenchufada antes de ajustar o comprobar cualquier función de la herramienta.

### Accionamiento del interruptor (Fig. 1)

#### PRECAUCIÓN:

- Antes de enchufar la herramienta, compruebe siempre para cerciorarse de que el gatillo interruptor se acciona debidamente y que vuelve a la posición "OFF" cuando lo suelta.

Para poner en marcha la herramienta, simplemente apriete el gatillo interruptor. Suelte el gatillo interruptor para parar.

Para una operación continua, apriete el gatillo interruptor y después presione hacia dentro el botón de bloqueo.

Para parar la herramienta desde la posición bloqueada, apriete el gatillo interruptor completamente, y después suéltelo.

### Dial de regulación de la velocidad (Fig. 2)

La velocidad de la herramienta se puede ajustar infinitamente entre 1,0 m/s y 1,7 m/s girando el dial de regulación. Se obtendrá mayor velocidad cuando el dial sea girado en la dirección del número 5; se obtendrá menor velocidad cuando sea girado en dirección del número 1. Seleccione la velocidad apropiada para la pieza de trabajo a cortar.

#### PRECAUCIÓN:

- El dial de regulación de la velocidad puede girarse hasta 5 y de vuelta hasta 1 solamente. No lo fuerce más allá de 5 ó 1, o la función de ajuste de velocidad podrá dejar de funcionar.

### Encendido de las lámparas (Fig. 3)

#### PRECAUCIÓN:

- No exponga la luz a golpes, porque podrá ocasionar daños a la misma o acortar su vida de servicio.

Para encender la lámpara, presione el lado "I (ON)" del interruptor de la lámpara. Presione el lado "O (OFF)" para apagarla.

### NOTA:

- Utilice un paño seco para quitar la suciedad de la lente de la lámpara. Tenga cuidado de no rayar la lente de la lámpara, porque podrá disminuir la iluminación.
- No utilice diluyente ni gasolina para limpiar la lámpara. Tales disolventes podrán dañarla.
- Después de la operación, apague siempre la lámpara pulsando el lado "O (OFF)".

## MONTAJE

### PRECAUCIÓN:

- Asegúrese siempre de que la herramienta esté apagada y desenchufada antes de realizar cualquier trabajo en ella.

### Instalación o desmontaje de la banda

#### PRECAUCIÓN:

- El aceite en la banda puede hacer que la banda resbale o se salga inesperadamente. Limpie todo el exceso de aceite con un paño antes de instalar la banda.
- Tenga cuidado cuando maneje la banda para no cortarse con el borde cortante de los dientes de la banda.

Gire la palanca tensora de la banda hacia la derecha hasta que la misma golpee contra el saliente del bastidor. (Fig. 4)

Haga coincidir la dirección de la flecha de la banda con la flecha de los discos.

Inserte la banda entre los cojinetes del soporte superior en primer lugar y después en el soporte inferior. El borde posterior de la banda deberá tocar los cojinetes en la porción inferior del soporte superior y soporte inferior. (Fig. 5)

Ponga la banda alrededor de los discos e inserte el otro lado de la banda dentro del soporte superior y soporte inferior hasta que la parte posterior de la banda toque la parte inferior del soporte superior y soporte inferior.

Ponga la banda en la ranura de la guía de banda.

Sujete la banda en posición y gire la palanca tensora de la banda hacia la izquierda hasta que golpee contra el saliente del bastidor. Esto aplicará la tensión apropiada a la banda. Asegúrese de que la banda esté posicionada correctamente dentro del protector de banda y alrededor de los discos.

Ponga en marcha y pare la herramienta dos o tres veces para asegurarse de que la banda gira debidamente en los discos. (Fig. 6 y 7)

#### PRECAUCIÓN:

- Mientras se asegura de que la banda gira debidamente en los discos, mantenga su cuerpo alejado del área de la banda.

Para desmontar la banda, siga el procedimiento de instalación a la inversa.

#### PRECAUCIÓN:

- Cuando gire la palanca tensora de la banda hacia la derecha para liberar la tensión de la banda, apunte la herramienta hacia abajo porque la banda podrá salirse inesperadamente.

### **Ajuste del saliente de la placa de tope (Fig. 8)**

En la operación normal, saque la placa de tope al lado A completamente.

Cuando la placa de tope golpee contra obstáculos tales como una pared o por el estilo al finalizar un corte, afloje los dos tornillos y deslícelo al lado B de la figura.

Después de deslizar la placa de tope, sujétela apretando los dos tornillos firmemente.

### **OPERACIÓN**

Es importante mantener dos dientes en el corte por lo menos. Seleccione la posición de corte apropiada para su pieza de trabajo refiriéndose a la figura. (Fig. 9)

Sujete la herramienta con ambas manos como se muestra en la figura con la placa de tope haciendo contacto con la pieza de trabajo y la banda sin tocar la pieza de trabajo.

Encienda la herramienta y espere hasta que adquiera plena velocidad. Baje con cuidado la banda al corte. El peso de la herramienta o una ligera presión sobre la herramienta será suficiente para cortar. No fuerce la herramienta.

Al llegar al final del corte, libere la presión y, sin realmente alzar la herramienta, levántela ligeramente para que no se caiga contra la pieza de trabajo. (Fig. 10)

#### **PRECAUCIÓN:**

- Si aplica una presión excesiva sobre la herramienta o retuerce la banda podrá ocasionar un corte en bisel o daños a la banda.
- Cuando no vaya a utilizar la herramienta durante un período de tiempo largo, quite la banda de la herramienta.

Cuando corte metales, utilice cera para cuchillas Makita como lubricante para operaciones de corte. Para poner la cera para cuchillas en los dientes de la banda, ponga en marcha la herramienta y corte la cera como se muestra en la figura después de quitar una tapa de la cera para cuchillas. (Fig. 11)

#### **PRECAUCIÓN:**

- No utilice nunca aceite para cuchillas ni aplique una cantidad excesiva de cera a la banda. Ello podrá hacer que la banda resbale o se salga inesperadamente.
- Cuando corte hierro fundido, no utilice ninguna cera para cuchillas.

### **MANTENIMIENTO**

#### **PRECAUCIÓN:**

- Asegúrese siempre de que la herramienta esté apagada y desenchufada antes de intentar realizar una inspección o mantenimiento.
- No utilice nunca gasolina, bencina, disolvente, alcohol o similares. Podría producir descoloración, deformación o grietas.

#### **Limpieza**

Después de la utilización, quite la cera, virutas y polvo de la herramienta, de los neumáticos de los discos y de la banda.

#### **PRECAUCIÓN:**

- No utilice nunca disolventes tales como aguarrás, gasolina, laca, etc., para limpiar las partes de plástico.
- La cera y virutas en los neumáticos pueden hacer que la banda resbale y se salga inesperadamente. Utilice un paño seco para quitar la cera y virutas de los neumáticos.

### **Reemplazo de los neumáticos de los discos**

#### **(Fig. 12)**

Cuando la banda resbale o no siga su curso debidamente debido a que los neumáticos están muy desgastados, o a que el labio del neumático en el lado del motor se ha dañado, deberá reemplazar los neumáticos.

### **Reemplazo del tubo fluorescente (Fig. 13)**

#### **PRECAUCIÓN:**

- Asegúrese siempre de que la herramienta esté apagada y desenchufada antes de reemplazar el tubo fluorescente.
- No aplique fuerza, impactos o arañazos al tubo fluorescente, porque podrá romperse el cristal del mismo y ocasionarle heridas a usted o a alguien que esté cerca de usted.
- Deje el tubo fluorescente sin tocarlo durante un rato inmediatamente después de utilizarlo y después reemplácelo. Si no lo hace, podrá quemarse.

Quite los tornillos que sujetan la caja de la lámpara para la luz.

Extraiga la caja de la lámpara manteniendo ligeramente presionada la parte superior de la misma como se muestra en la ilustración.

Extraiga el tubo fluorescente y después reemplácelo con uno nuevo original de Makita.

### **Reemplazo de las escobillas de carbón**

#### **(Fig. 14 y 15)**

Extraiga e inspeccione las escobillas de carbón regularmente. Reemplácelas cuando se hayan gastado hasta la marca límite. Mantenga las escobillas de carbón limpias de forma que entren libremente en los portaescobillas. Deberán reemplazarse ambas escobillas de carbón al mismo tiempo. Utilice únicamente escobillas de carbón idénticas.

Utilice un destornillador para quitar los tapones portaescobillas. Extraiga las escobillas gastadas, inserte las nuevas y vuelva a colocar los tapones portaescobillas.

Para mantener la SEGURIDAD y FIABILIDAD del producto, las reparaciones, cualquier otro mantenimiento o ajuste deberán ser realizados en centros de servicio autorizados por Makita, empleando siempre piezas de repuesto Makita.

### **ACCESORIOS OPCIONALES**

#### **PRECAUCIÓN:**

- Estos accesorios o acoplamientos están recomendados para utilizar con la herramienta Makita especificada en este manual. El empleo de otros accesorios o acoplamientos conllevará un riesgo de sufrir heridas personales. Utilice los accesorios o acoplamientos solamente para su fin establecido.

Si necesita cualquier ayuda para más detalles en relación con estos accesorios, pregunte al centro de servicio Makita local.

- Bandas de sierra de banda
- Llave hexagonal de 4
- Cera para cuchillas
- Estante de sierra de banda portátil

#### **NOTA:**

- Algunos elementos de la lista podrán estar incluidos en el paquete de la herramienta como accesorios estándar. Pueden variar de un país a otro.

**Ruido**

El nivel de ruido A-ponderado típico determinado de acuerdo con la norma EN60745:

- Nivel de presión sonora ( $L_{pA}$ ): 86 dB (A)
- Nivel de potencia sonora ( $L_{WA}$ ): 98 dB (A)
- Error (K): 3 dB (A)

**Póngase protectores en los oídos**

ENG900-1

**Vibración**

El valor total de la vibración (suma de vectores triaxiales) determinado de acuerdo con la norma EN60745:

- Modo tarea: corte de madera aglomerada
- Emisión de vibración ( $a_{h,CW}$ ): 2,5 m/s<sup>2</sup> o menos
- Error (K): 1,5 m/s<sup>2</sup>

Modo tarea: corte de metales

- Emisión de vibración ( $a_{h,CM}$ ): 2,5 m/s<sup>2</sup> o menos
- Error (K): 1,5 m/s<sup>2</sup>

ENG901-1

- El valor de emisión de vibración declarado ha sido medido de acuerdo con el método de prueba estándar y se puede utilizar para comparar una herramienta con otra.
- El valor de emisión de vibración declarado también se puede utilizar en una valoración preliminar de exposición.

**ADVERTENCIA:**

- La emisión de vibración durante la utilización real de la herramienta eléctrica puede variar del valor de emisión declarado dependiendo de las formas en las que la herramienta sea utilizada.
- Asegúrese de identificar medidas de seguridad para proteger al operario que estén basadas en una estimación de la exposición en las condiciones reales de utilización (teniendo en cuenta todas las partes del ciclo operativo tal como las veces cuando la herramienta está apagada y cuando está funcionando en vacío además del tiempo de gatillo).

**Para países europeos solamente****Declaración de conformidad CE****Makita Corporation como fabricante responsable declara que la(s) siguiente(s) máquina(s) de Makita:**

Designación de máquina:

Sierra de Banda Portátil

Modelo N°/Tipo: 2107F

son producidas en serie y

**Cumplen con las directivas europeas siguientes:**

98/37/CE hasta el 28 de diciembre de 2009 y después con 2006/42/CE desde el 29 de diciembre de 2009

Y que están fabricadas de acuerdo con las normas o documentos normalizados siguientes:

EN60745

Los documentos técnicos los guarda nuestro representante autorizado en Europa cuya persona es:

Makita International Europe Ltd.

Michigan Drive, Tongwell,

Milton Keynes, MK15 8JD, Inglaterra

30.1.2009



Tomoyasu Kato

Director

Makita Corporation

3-11-8, Sumiyoshi-cho,

Anjo, Aichi, JAPAN

**Explicação geral**

1 Botão de bloqueio	10 Rolamento	20 Cera de corte
2 Gatilho	11 Suporte superior	21 Pneu
3 Marcador de regulação de velocidade	12 Suporte inferior	22 Bordo
4 Interruptor da lâmpada	13 Disco	23 Tubo fluorescente
5 Soltar	14 Pressione	24 Caixa da lâmpada
6 Apertar	15 Guia da lâmina	25 Parafuso
7 Saliência	16 Ranhura	26 Marca limite
8 Alavanca	17 Parafuso	27 Chave de parafusos
9 Lâmina	18 Placa de travagem	28 Tampa do porta-escovas
	19 Lâmina	

**ESPECIFICAÇÕES**

Modelo		2107F
Capacidade máxima de corte	Peça de trabalho redonda	ø120 mm
	Peça de trabalho rectangular	120 mm x 120 mm
Velocidade da lâmina		1,0 – 1,7 m/s
Tamanho da lâmina	Comprimento	1.140 mm
	Largura	13 mm
	Espessura	0,5 mm
Dimensões totais	A x L x C	496 mm x 184 mm x 249 mm
Peso líquido		6,0 kg
Classe de segurança		II/III

GEB005-5

- Devido ao nosso programa contínuo de pesquisa e desenvolvimento, as características indicadas neste documento estão sujeitas a alterações sem aviso prévio.
- As especificações podem variar de país para país.
- Peso de acordo com o Procedimento 01/2003 da EPTA (European Power Tool Association)

ENE009-1

**Utilização a que se destina**

A ferramenta foi concebida para cortar madeira, plástico e materiais ferrosos.

ENF002-2

**Alimentação**

A ferramenta só deve ser ligada a uma fonte de alimentação com a mesma voltagem da indicada na placa de características, e só funciona com alimentação de corrente alterna monofásica. Tem um sistema de isolamento duplo e pode, por isso, utilizar tomadas sem ligação à terra.

GEA010-1

**Avisos gerais de segurança para ferramentas eléctricas**

**⚠ AVISO! Leia todas os avisos de segurança e todas as instruções.** O não cumprimento de todos os avisos e instruções pode originar choque eléctrico, incêndio e/ou ferimentos graves.

**Guarde todos os avisos e instruções para futuras referências.**

**AVISOS DE SEGURANÇA PARA A SERRA DE BANDA PORTÁTIL**

1. **Agarre na ferramenta eléctrica pelos punhos isolados ao realizar uma operação onde o acessório de corte possa tocar em fios eléctricos escondidos ou no seu próprio fio.** O contacto do acessório de corte com um fio "ligado" poderá carregar as partes metálicas da ferramenta e causar choque eléctrico no operador.
2. **Utilize só lâminas que tenham 1.140 mm de comprimento, 13 mm de largura e 0,5 mm de espessura.**
3. **Inspeccione a lâmina cuidadosamente para ver se tem rachas ou está estragada antes da operação. Substitua imediatamente uma lâmina rachada ou estragada.**
4. **Prenda a peça de trabalho firmemente. Quando corta um monte de peças, certifique-se de que todas as peças estão bem presas antes de cortar.**
5. **Cortar peças de trabalho cobertas com óleo pode causar que a lâmina salte inesperadamente. Limpe todo o excesso de óleo das peças de trabalho antes de cortar.**
6. **Nunca utilize óleo de corte como lubrificante de corte. Utilize só cera para corte da Makita.**
7. **Não use luvas durante a operação.**
8. **Pegue na ferramenta firmemente com as duas mãos.**
9. **Mantenha as mãos afastadas das partes rotativas.**

10. Quando corta metal, tenha cuidado com as partículas quentes que saltam.
11. Não deixe a ferramenta a funcionar sem lhe estar a pegar.
12. Não toque na lâmina ou na peça de trabalho imediatamente depois da operação; estão extremamente quentes e pode queimar-se.

## GUARDE ESTAS INSTRUÇÕES

### AVISO:

**NÃO** permita que conforto ou familiaridade com o produto (adquirido com o uso repetido) substitua a aderência estrita às regras de segurança da ferramenta. **MÁ INTERPRETAÇÃO** ou não seguimento das regras de segurança estabelecidas neste manual de instruções pode causar danos pessoais sérios.

## DESCRIÇÃO FUNCIONAL

### PRECAUÇÃO:

- Certifique-se sempre de que a ferramenta está desligada e a ficha retirada da tomada antes de regular ou verificar o funcionamento da ferramenta.

### Acção do interruptor (Fig. 1)

#### PRECAUÇÃO:

- Antes de ligar a ferramenta à corrente, verifique sempre para confirmar que o gatilho funciona correctamente e volta para a posição “OFF” quando libertado.

Para ligar a ferramenta, carregue simplesmente no gatilho. Solte o gatilho para parar.

Para operação contínua, carregue no gatilho e em seguida empurre o botão de bloqueio.

Para parar a ferramenta na posição de bloqueada, carregue completamente no gatilho e em seguida solte-o.

### Marcador de regulação de velocidade (Fig. 2)

A velocidade da ferramenta pode ser infinitamente ajustada entre 1,0 m/s e 1,7 m/s rodando o marcador de regulação. Obtém-se maior velocidade quando o marcador é rodado na direcção do número 5; menor velocidade é obtida quando roda na direcção do número 1.

Selecione a velocidade apropriada para a peça de trabalho que vai cortar.

#### PRECAUÇÃO:

- O marcador de regulação de velocidade só pode ser rodado até ao 5 e até ao 1. Não o force para passar o 5 ou o 1, ou a função de regulação de velocidade pode deixar de funcionar.

### Acender as lâmpadas (Fig. 3)

#### PRECAUÇÃO:

- Não aplique pancadas na lâmpada pois pode estragá-la ou diminuir a sua vida útil.

Para acender a lâmpada, pressione o lado “I (ON)” do interruptor da lâmpada. Pressione o lado “O (OFF)” para a desligar.

### NOTA:

- Utilize uma pano seco para limpar a poeira das lentes da lâmpada. Tenha cuidado para não riscar ou pode diminuir a iluminação.
- Não utilize diluente ou gasolina para limpar a lâmpada. Esse tipo de diluentes pode estragá-la.
- Depois da operação, desligue sempre a lâmpada pressionando o lado “O (OFF)”.

## CONJUNTO

### PRECAUÇÃO:

- Certifique-se sempre de que a ferramenta está desligada e a ficha retirada da tomada antes de executar qualquer trabalho na ferramenta.

### Instalar ou retirar a lâmina

#### PRECAUÇÃO:

- Óleo na lâmina pode causar que a lâmina deslize ou saia inesperadamente. Limpe todo o excesso de óleo com um pano antes de instalar a lâmina.
- Tenha cuidado quando manuseia a lâmina de modo a que não se corte com uma extremidade afiada dos dentes da lâmina.

Rode a alavanca de aperto da lâmina para a direita até que toque na saliência do quadro. (Fig. 4)

Faça corresponder a direcção da seta na lâmina com a da seta nos discos.

Insira primeiro a lâmina entre os rolamentos do suporte superior e, em seguida, dentro do suporte inferior. A parte de trás da lâmina deve estar em contacto com os rolamentos na parte inferior do suporte superior e do suporte inferior. (Fig. 5)

Posicione a lâmina à volta dos discos e coloque o outro lado da lâmina entre o suporte superior e inferior até que a parte de trás da lâmina contacte a parte inferior do suporte superior e inferior.

Coloque a lâmina dentro da ranhura na guia da lâmina. Mantenha a lâmina no seu lugar e rode a alavanca de aperto da lâmina para a esquerda até que toque na saliência no quadro. Isto dá a tensão adequada à lâmina. Certifique-se de que a lâmina está correctamente posicionada dentro do resguardo da lâmina e à volta dos discos.

Inicie e pare a ferramenta duas ou três vezes para se certificar que a lâmina corre correctamente nos discos. (Fig. 6 e 7)

#### PRECAUÇÃO:

- Enquanto se certifica de que a lâmina corre correctamente nos discos, mantenha o seu corpo afastado da área da lâmina.

Para retirar a lâmina, execute inversamente o procedimento de instalação.

#### PRECAUÇÃO:

- Quando roda a alavanca de aperto da lâmina para a direita para soltar a tensão da lâmina, aponte a ferramenta para baixo porque a lâmina pode cair inesperadamente.

### **Ajustar a saliência da placa de travagem (Fig. 8)**

Em operação normal, faça com que a placa de travagem fique completamente saliente no lado A.

Quando a placa de travagem toca num obstáculo tal como uma parede ou semelhante no fim de um corte, solte os dois parafusos e deslize-a para o lado B na figura.

Depois de deslizar a placa de travagem, prenda-a apertando firmemente os dois parafusos.

### **OPERAÇÃO**

É importante manter pelo menos dois dentes no corte. Seleccione a posição de corte apropriada para a sua peça de trabalho referindo-se à figura. (Fig. 9)

Agarre na ferramenta com as duas mãos como indicado na figura com a placa de travagem a contactar a peça de trabalho e a lâmina afastada da peça de trabalho.

Ligue a ferramenta e espere até que a lâmina atinja toda a velocidade. Desça suavemente a lâmina no corte. O peso da ferramenta ou pressionar ligeiramente a ferramenta dará a pressão adequada ao corte. Não force a ferramenta.

Quando atinge o fim do corte, solte a pressão sem na realidade levantar a ferramenta, erguendo-a ligeiramente de modo a que não caia contra a peça de trabalho. (Fig. 10)

#### **PRECAUÇÃO:**

- Aplicar pressão excessiva na ferramenta ou dobrar a lâmina pode originar corte de bisel ou estragar a lâmina.
- Quando não usa a ferramenta durante um longo período de tempo, retire a lâmina da ferramenta.

Quando corta metais, use cera para corte da Makita como lubrificante de corte. Para aplicar a cera para corte nos dentes da lâmina, inicie a ferramenta e corte na cera de corte como indicado na figura depois de ter tirado a tampa da cera de corte. (Fig. 11)

#### **PRECAUÇÃO:**

- Nunca utilize óleo para corte ou aplique quantidade excessiva de cera na lâmina. Pode causar com que a lâmina deslize ou saia inesperadamente.
- Quando corta ferro de molde, não utilize nenhuma cera de corte.

### **MANUTENÇÃO**

#### **PRECAUÇÃO:**

- Certifique-se sempre de que a ferramenta está desligada e a ficha retirada da tomada antes de executar qualquer inspeção ou manutenção.
- Nunca utilize gasolina, benzina, diluente, álcool ou produtos semelhantes. Pode ocorrer a descoloração, deformação ou rachaduras.

#### **Limpeza**

Depois da utilização, retire a cera, partículas e pó da ferramenta, pneus do disco e da lâmina.

#### **PRECAUÇÃO:**

- Nunca utilize solventes tais como benzina, gasolina, laca, etc, para limpar as partes plásticas.
- Cera e partículas nos pneus podem fazer com que a lâmina deslize e saia inesperadamente. Utilize um pano seco para retirar a cera e partículas dos pneus.

### **Substituição dos pneus dos discos (Fig. 12)**

Quando a lâmina desliza ou não trilha correctamente porque os pneus estão gastos ou o bordo do pneu no lado do motor está estragado, deve substituir os pneus.

### **Substituição do tubo fluorescente (Fig. 13)**

#### **PRECAUÇÃO:**

- Certifique-se sempre de que a ferramenta está desligada e a ficha retirada da tomada antes de substituir o tubo fluorescente.
- Não aplique força, impacto ou risque um tubo fluorescente, pois pode causar que o vidro do tubo fluorescente se parta resultando em danos próprios ou em quem o cerca.
- Deixe o tubo fluorescente durante algum tempo imediatamente depois do uso e em seguida substitua-o. Se não, pode queimar-se.

Retire os parafusos que prendem a caixa da lâmpada para a luz.

Retire a caixa da lâmpada continuando a empurrar a posição superior como ilustrado na figura.

Tire o tubo fluorescente e em seguida substitua-o com um original da Makita.

### **Substituição das escovas de carvão (Fig. 14 e 15)**

Retire e inspeccione regularmente as escovas de carvão. Substitua-as quando estiverem gastas até à marca limite. Mantenha as escovas de carvão limpas e a deslizarem livremente nos suportes. As duas escovas de carvão devem ser substituídas ao mesmo tempo. Use só escovas de carvão idênticas.

Use uma chave de parafusos para retirar as tampas do porta-escovas. Retire as escovas de carvão usadas, coloque as novas e prenda as tampa do porta-escovas.

Para manter a SEGURANÇA e FIABILIDADE, as reparações e outras acções de manutenção ou ajustes devem ser executados pelos centros de assistência autorizados da Makita, utilizando sempre peças de substituição Makita.

### **ACESSÓRIOS OPCIONAIS**

#### **PRECAUÇÃO:**

- Estes acessórios ou acoplamentos são os recomendados para uso na ferramenta Makita especificada neste manual. A utilização de qualquer outro acessório ou acoplamento poderá ser perigosa para o operador. Os acessórios ou acoplamentos devem ser utilizados de maneira adequada e apenas para os fins a que se destinam.

No caso de necessitar ajuda para mais detalhes sobre estes acessórios, consulte ao departamento de assistência local da Makita.

- Lâminas da serra de banda
- Chave hexagonal 4
- Cera de corte
- Base da serra de banda portátil

#### **NOTA:**

- Alguns itens da lista podem estar incluídos na embalagem da ferramenta como acessórios padrão. Eles podem variar de país para país.

**Ruído**

A característica do nível de ruído A determinado de acordo com EN60745:

Nível de pressão de som ( $L_{pA}$ ): 86 dB (A)

Nível do som ( $L_{WA}$ ): 98 dB (A)

Variabilidade (K): 3 dB (A)

**Utilize protectores para os ouvidos**

ENG900-1

**Vibração**

O valor total da vibração (soma vectorial tri-axial) determinado de acordo com EN60745:

Modo de funcionamento: corte de placa laminado

Emissão de vibração ( $a_{h,CW}$ ): 2,5 m/s<sup>2</sup> ou inferior

Variabilidade (K): 1,5 m/s<sup>2</sup>

Modo de funcionamento: corte de metal

Emissão de vibração ( $a_{h,CM}$ ): 2,5 m/s<sup>2</sup> ou inferior

Variabilidade (K): 1,5 m/s<sup>2</sup>

ENG901-1

- O valor da emissão de vibração indicado foi medido de acordo com o método de teste padrão e pode ser utilizado para comparar duas ferramentas.
- O valor da emissão de vibração indicado pode também ser utilizado na avaliação preliminar da exposição.

**AVISO:**

- A emissão de vibração durante a utilização real da ferramenta eléctrica pode diferir do valor de emissão indicado, dependendo das formas como a ferramenta é utilizada.
- Certifique-se de identificar as medidas de segurança para protecção do operador que sejam baseadas em uma estimativa de exposição em condições reais de utilização (considerando todas as partes do ciclo de operação, tal como quando a ferramenta está desligada e quando está a funcionar em marcha lenta além do tempo de accionamento).

**Só para países Europeus****Declaração de conformidade CE**

**Nós, a Makita Corporation, fabricante responsável, declaramos que a(s) seguinte(s) ferramenta(s) Makita:**

Designação da ferramenta:

Serra de banda portátil

Modelos n.º/Tipo: 2107F

são de produção de série e

**Em conformidade com as seguintes directivas europeias:**

98/37/CE até 28 de dezembro de 2009 e 2006/42/CE a partir de 29 de dezembro 2009

E estão fabricados de acordo com as seguintes normas ou documentos normativos:

EN60745

A documentação técnica é mantida pelo nosso representante autorizado na Europa:

Makita International Europe Ltd.

Michigan Drive, Tongwell,

Milton Keynes, MK15 8JD, Inglaterra

30.1.2009



Tomoyasu Kato  
Director

Makita Corporation  
3-11-8, Sumiyoshi-cho,  
Anjo, Aichi, JAPAN



**Illustrationsoversigt**

1 Låseknap	11 Øverste holder	21 Dæk
2 Afbryderkontakt	12 Nederste holder	22 Læbe
3 Hastighedsindstillingsdrejeknap	13 Skive	23 Boks til lysstofrør
4 Kontakt til lampe	14 Tryk	24 Lampeboks
5 Løsn	15 Klingeanslag	25 Aftapningsskrue
6 Stram	16 Rille	26 Grænsemærke
7 Fremspring	17 Skrue	27 Skruetrækker
8 Arm	18 Stopperplade	28 Børsteholderdæksel
9 Klinge	19 Klinge	
10 Leje	20 Skærevoks	

**SPECIFIKATIONER**

Model		2107F
Maks. skærekapacitet	Rundt arbejdsemne	ø120 mm
	Rektangulært arbejdsemne	120 mm x 120 mm
Klingehastighed		1,0 – 1,7 m/s
Klingestørrelse	Længde	1 140 mm
	Bredde	13 mm
	Tykkelse	0,5 mm
Dimensioner	H x B x L	496 mm x 184 mm x 249 mm
Nettovægt		6,0 kg
Sikkerhedsklasse		□/II

GEB005-5

- På grund af vores kontinuerlige forskningsprogrammer og udvikling, kan hosstående specifikationer blive ændret uden varsel.
- Specifikationer kan variere fra land til land.
- Vægt i henhold til EPTA-Procedure 01/2003

ENE009-1

**Tilslutning**

Maskinen er beregnet til at skære i træ, plastic og jernholdige materialer.

ENF002-2

**Strømforsyning**

Maskinen må kun tilsluttes en strømforsyning med den samme spænding, som den der er angivet på typeskiltet, og kan kun anvendes med enkeltfasen vekselstrømforsyning. Den er dobbeltisoleret og kan derfor også anvendes fra kontakter uden jordledning.

GEA010-1

**Almindelige sikkerhedsregler for el-værktøj**

**⚠ ADVARSEL!** Læs alle sikkerhedsadvarsler og alle sikkerhedsinstruktioner. Hvis nedenstående advarsler og instruktioner ikke overholdes, kan resultatet blive elektrisk stød, brand og/eller alvorlig personskade.

**Gem alle advarsler og instruktioner til fremtidig reference.**

**SIKKERHEDSADVARSLER FOR BÆRBAR BÅNDSAV**

1. Hold altid et el-værktøj i dets isolerede håndtagsflader, når du udfører et arbejde, hvor skæreværktøjet kan komme i berøring med dets egen ledning. Hvis skæreværktøjet kommer i berøring med en strømførende ("live") ledning, kan el-værktøjets udsatte metaldele blive strømførende og give operatoren stød.
2. Anvend kun klinger, som er 1 140 mm lange, 13 mm brede og 0,5 mm tykke.
3. Kontroller omhyggeligt klingens indendiameter, for at se om den har revner eller skader. Udskift øjeblikkeligt klingens indendiameter, hvis den er revnet eller beskadiget.
4. Fastspænd arbejdsemnet ordentligt. Når et bundt arbejdsemner skæres, skal man sørge for, at alle arbejdsemner er fast sammenspændt, inden skæringen påbegyndes.
5. Skæring af arbejdsemner, hvorpå der er olie, kan bevirke, at klingens uventet falder af. Tør al overflødig olie af arbejdsemnet, inden skæringen påbegyndes.
6. Anvend aldrig skæreeolie som skæresmøremiddel. Anvend kun Makita-skærevoks.
7. Bær ikke handsker under arbejdet.
8. Hold godt fast i maskinen med begge hænder.
9. Hold hænderne på god afstand af roterende dele.
10. Vær på vagt overfor varme, flyvende spåner, når de skærer i metal.

11. Lad ikke maskinen køre uovervåget.
12. Rør ikke ved klingen eller arbejdsemnet umiddelbart efter skæringen, da de er meget varme og kan medføre forbrændinger.

## GEM DISSE FORSKRIFTER

### ADVARSEL:

LAD IKKE bekvemmelighed eller kendskab til produktet (opnået gennem gentagen brug) forhindre, at sikkerhedsforskrifterne for produktet nøje overholdes. MISBRUG eller forsømmelse af at følge de i denne brugsvejledning givne sikkerhedsforskrifter kan føre til, at De kommer alvorligt til skade.

## FUNKTIONSBESKRIVELSE

### FORSIGTIG:

- Sørg altid for, at der er slukket for maskinen og at den er taget ud af forbindelse, inden maskinens funktion justeres eller kontrolleres.

### Afbryderfunktion (Fig. 1)

#### FORSIGTIG:

- Før netstikket sættes i en stikkontakt, bør det altid kontrolleres, at afbryderkontakten fungerer korrekt og returnerer til "OFF" stillingen, når den slippes.

For at starte maskinen trykkes ganske enkelt på afbryderkontakten. Slip afbryderkontakten for at stoppe.

Uafbrudt operation opnås ved at man trykker afbryderkontakten ind og derefter trykker låseknappen ind.

For at stoppe maskinen fra den låste position, skal man trykke afbryderkontakten helt ind og derefter slippe den.

### Hastighedsindstillingsdrejeknap (Fig. 2)

Maskinens hastighed kan reguleres ubegrænset mellem 1,0 m/s and 1,7 m/s ved at man drejer hastighedsindstillingsdrejeknappen. En højere hastighed opnås, hvis hastighedsindstillingsdrejeknappen drejes i retning af tallet 5 og en lavere hastighed opnås, hvis den drejes i retning af tallet 1.

Vælg den hastighed, som passer bedst til arbejdsemnet.

#### FORSIGTIG:

- Hastighedsindstillingsdrejeknappen kan kun drejes til 5 og tilbage til 1. Tving den ikke forbi 5 eller 1, da hastighedsindstillingsfunktionen derved kan sættes ud af kraft.

### Tænding af lamperne (Fig. 3)

#### FORSIGTIG:

- Udsæt ikke lamperne for stød, da dette kan resultere i beskadigelse eller kortere levetid.

Tryk på "I (ON)"-siden af kontakten til lampen for at tænde for lampen. Tryk på "O (OFF)"-siden for at slukke den.

#### BEMÆRK:

- Anvend en tør klud til at rengøre lampelinsen. Vær påpasselig med ikke at komme til at ridse lampen, da lyset derved kan blive svagere.
- Anvend ikke fortynder eller benzin til rengøring af lampen. Sådanne opløsningsmidler kan skade den.
- Sluk altid lampen ved at trykke på "O (OFF)"-siden, når arbejdet er færdigt.

## SAMLING

### FORSIGTIG:

- Sørg altid for at maskinen er slukket og netstikket trukket ud, inden der foretages noget arbejde på selve maskinen.

### Montering og afmontering af savklingen

#### FORSIGTIG:

- Olie på savklingen kan bevirke, at den glider eller pludseligt falder af. Tør al overflødig olie bort, inden savklingen monteres.
- Udvis forsigtighed, når De håndterer savklingen, således at De ikke skærer Dem på de skarpe tænder på savklingen.

Drej savklingspændearmen med uret, indtil den kontakter fremspringet på rammen. (Fig. 4)

Sørg for, at retningen af pilen på savklingen modsvarer retningen af pilen på skiverne.

Sæt klingens ind mellem lejerne i den øverste holder først og derefter ind i den nederste holder. Klingens bagside skal kontakte lejerne i den nederste del af den øverste holder og nederste holder. (Fig. 5)

Placer savklingen omkring skiverne, og sæt den anden side af savklingen ind mellem den øverste holder og nederste holder, indtil savklings bagside har kontakt med bunden af den øverste holder og den nederste holder.

Sæt klingens ind i rillen i klingeanslaget.

Hold savklingen på plads og drej savklingspændearmen i retningen mod uret, indtil den kontakter fremspringet på rammen. Dette giver savklingen den rigtige spænding. Sørg for, at savklingen er korrekt placeret indenfor savklingsanslaget og omkring skiverne.

Start og stop maskinen to eller tre gange for at sikre, at savklingen kører ordentligt på skiverne. (Fig. 6 og 7)

#### FORSIGTIG:

- Lad ikke nogen kropsdele komme i kontakt med savklingen, når De kontrollerer, at savklingen kører ordentligt på skiverne.

For at afmontere savklingen, følges fremgangsmåden for montering i modsat rækkefølge.

#### FORSIGTIG:

- Når De drejer savklingspændearmen i urets retning for at frigøre bladets spænding, skal De vende maskinen nedad, da savklingen pludseligt kan gå af.

### Indstilling af stopperpladens position (Fig. 8)

Ved almindelig skæring skal stopperpladen stikke helt ud til A-siden.

Hvis stopperpladen ved af slutningen af en skæring rammer forhindringer, som for eksempel en væg eller lignende, skal De løsne to skruer og skyde den til B-siden som vist på illustrationen.

Når dette er gjort, fastspændes den ved at man strammer de to skruer godt til.

## ANVENDELSE

Det er vigtigt at der er mindst to savtænder i snittet. Vælg den rigtige skæreposition for arbejdsemnet i overensstemmelse med illustrationen. (Fig. 9)

Hold værktøjet med begge hænder som vist i figuren, så stopperpladen har kontakt med arbejdsstykket, og klingene ikke berører arbejdsstykket.

Tænd for maskinen og vent, indtil savklingen er kommet op på fuld hastighed. Sænk forsigtigt savklingen ned i snittet. Vægten af maskinen eller et let tryk på maskinen vil give et tilstrækkeligt tryk til skæringen. Pres ikke maskinen.

Når slutningen af skæringen er nået, skal De udløse trykket og, uden at hæve maskinen, løfte den en smule, således at den ikke går imod arbejdsemnet. (Fig. 10)

### FORSIGTIG:

- Hvis maskinen udsættes for et for stort tryk eller hvis savklingen vrides, kan resultatet blive skråsnit eller beskadigelse af savklingen.
- Tag savklingen af maskinen, hvis den ikke skal anvendes i et længere tidsrum.

Anvend Makita-skærevoks som smøremiddel ved skæringen, når der skæres i metal. For at komme skærevoks på savklingetænderne, skal De starte maskinen og skære ind i skærevokset som vist på illustrationen, efter at skærevokssets hætte er aftaget. (Fig. 11)

### FORSIGTIG:

- Anvend aldrig skæreoile eller for meget voks på savklingen. Dette kan bevirke, at savklingen glider eller pludseligt går af.
- Brug ikke nogen form for skærevoks, når De skærer i støbejern.

## VEDLIGEHOLDELSE

### FORSIGTIG:

- Kontroller altid, at maskinen er slået fra, og at netstikket er trukket ud, inden der udføres eftersyn eller vedligeholdelse.
- Anvend aldrig benzin, rensebenzin, fortynder, alkohol og lignende. Resultatet kan blive misfarvning, deformation eller revner.

### Rengøring

Efter brugen fjernes voks, spåner og støv fra maskinen, skivedækkene og savklingen.

### FORSIGTIG:

- Anvend aldrig opløsningsmidler som for eksempel terpentint, benzin, lak etc, til rengøring af plasticdelene.
- Voks og spåner på dækkene kan bevirke, at savklingen glider og pludseligt går af. Anvend en tør klud til at fjerne voks og spåner fra dækkene.

### Udskifning af dæk på skiverne (Fig. 12)

Hvis savklingen på grund af stærkt nedslidte dæk glider eller ikke følger snittet på korrekt vis, eller hvis vulsten af dækket på motorsiden er beskadiget, bør dækkene skiftes ud.

## Udskiftning af lysstofrør (Fig. 13)

### FORSIGTIG:

- Kontroller altid, at der slukket for maskinen og at netstikket er taget ud, inden lysstofrøret skiftes ud med et nyt.
- Udsæt ikke et lysstofrør for vold, slag eller ridser, som kan bevirke, at lysstofrørets glas går i stykker med tilskadekomst af Dem selv eller omkringstående som resultat.
- Lad lysstofrøret være i et stykke tid umiddelbart efter brugen, inden det skiftes ud. Ellers kan De brænde Dem.

Fjern de skruer, som fastholder lampeboksen til lampen. Træk lampeboksen ud, idet De vedholdende trykker let på den øverste del af den som vist i figuren.

Træk lysstofrøret ud og skift det derefter ud med et originalt lysstofrør fra Makita.

## Udskiftning af kulbørster (Fig. 14 og 15)

Tag kulbørsterne ud og efterse dem periodisk. Kulbørster skal skiftes ud, når de er slidt ned til slidgrænsen. Hold kulbørsterne rene, så de altid passer ind i hullerne. Kulbørsterne bør udskiftes parvist og samtidigt. Anvend kun identiske kulbørster.

Benytt en skruetrækker til at fjerne bøjeholderdækslerne. Tag de slidte kulbørster ud, sæt de nye i, og fastgør bøjeholderdækslerne.

For at opretholde SIKKERHEDEN og PÅLIDELIGHEDEN, skal reparationer, andre vedligeholdelsesarbejder eller justeringer udføres af et autoriseret Makita servicecenter med brug af udelukkende Makita udskiftningsdele.

## EKSTRAUDSTYR

### FORSIGTIG:

- Det i denne manual specificerede tilbehør og anordninger anbefales til brug sammen med Deres Makita maskine. Brug af andet tilbehør og andre anordninger kan udgøre en risiko for personskade. Anvend kun tilbehør og anordninger til de beskrevne formål.

Hvis De behøver assistance eller yderligere detaljer om dette tilbehør, bedes De kontakte Deres lokale Makita servicecenter.

- Båndsavklinger
- Sekskantnøgle 4
- Skærevoks
- Holder til bærbar båndsav

### BEMÆRK:

- Nogle ting på denne liste kan være inkluderet i værktøjsspakken som standardtilbehør. Det kan være forskelligt fra land til land.

**Lyd**

Det typiske A-vægtede støjniveau bestemt i overensstemmelse med EN60745:

Lydtryksniveau ( $L_{pA}$ ): 86 dB (A)  
 Lydeffektniveau: ( $L_{WA}$ ): 98 dB (A)  
 Usikkerhed (K): 3 dB (A)

**Bær høreværn**

ENG900-1

**Vibration**

Vibrations totalværdi (tre-aksial vektorsum) bestemt i overensstemmelse med EN60745:

Arbejdsindstilling: skæring af spånplade  
 Vibrationsafgivelse ( $a_{h,CW}$ ): 2,5 m/s<sup>2</sup> eller mindre  
 Usikkerhed (K): 1,5 m/s<sup>2</sup>

Arbejdsindstilling: skæring af metal  
 Vibrationsafgivelse ( $a_{h,CM}$ ): 2,5 m/s<sup>2</sup> eller mindre  
 Usikkerhed (K): 1,5 m/s<sup>2</sup>

ENG901-1

- Den angivne vibrationsemissionsværdi er blevet målt i overensstemmelse med standardtestmetoden og kan anvendes til at sammenligne en maskine med en anden.
- Den angivne vibrationsemissionsværdi kan også anvendes i en preliminær eksponeringsvurdering.

**ADVARSEL:**

- Vibrationsemissionen under den faktiske anvendelse af maskinen kan være forskellig fra den erklærede emissionsværdi, afhængigt af den måde, hvorpå maskinen anvendes.
- Sørg for at identificere de sikkerhedsforskrifter til beskyttelse af operatøren, som er baseret på en vurdering af eksponering under de faktiske brugsforhold (med hensyntagen til alle dele i brugscyklen, som f.eks. de gange, hvor maskinen er slukket og når den kører i tomgang i tilgift til afbryder tiden).

**Kun for lande i Europa****EU-konformitetserklæring**

**Vi, Makita Corporation, erklærer, som den ansvarlige fabrikant, at den (de) følgende Makita maskine(r):**

Maskinens betegnelse:

Bærbar båndsav

Model nr./Type: 2107F

er af serieproduktion og

**opfylder betingelserne i de følgende EU-direktiver:**

98/37/EU indtil 28. december 2009 og derefter med 2006/42/EU fra 29. december 2009

og er fremstillet i overensstemmelse med de følgende standarder eller standardiserede dokumenter:

EN60745

Den tekniske dokumentation opbevares af vores autoriserede repræsentant i Europa, som er:

Makita International Europe Ltd.  
 Michigan Drive, Tongwell,  
 Milton Keynes, MK15 8JD, England

30.1.2009



Tomoyasu Kato  
 Direktør  
 Makita Corporation  
 3-11-8, Sumiyoshi-cho,  
 Anjo, Aichi, JAPAN

**Περιγραφή γενικής άποψης**

1 Κουμπί κλειδώματος	11 Ανω θήκη	21 Ελαστικό
2 Σκανδάλη διακόπτη	12 Κάτω θήκη	22 Χείλος
3 Καντράν ρύθμισης ταχύτητας	13 Τροχός	23 Κουτί λάμπας σωλήνα φθορισμού
4 Διακόπτης λάμπας	14 Πατήστε	24 Κουτί λάμπας
5 Χαλαρώστε	15 Οδηγός λάμας	25 Βίδα κρούσης
6 Σφίχτε	16 Αυλάκωση	26 Σημάδι ορίου
7 Προεξοχή	17 Βίδα	27 Κατσαβίδι
8 Μοχλός	18 Πλάκα τερματιστή	28 Καπάκι θήκης ψήκτρας
9 Λάμα	19 Λάμα	
10 Ρουλεμάν	20 Κηρός κοπής	

**ΠΡΟΔΙΑΓΡΑΦΗ**

Μοντέλο		2107F
Μεγ. ικανότητα κοπής	Στρογγυλό τεμάχιο εργασίας	ø120 χιλ.
	Ορθογώνιο τεμάχιο εργασίας	120 χιλ. x 120 χιλ.
Ταχύτητα λάμας		1,0 – 1,7 μ/δ
Μέγεθος λάμας	Μήκος	1.140 χιλ.
	Πλάτος	13 χιλ.
	Πάχος	0,5 χιλ.
Ολικές διαστάσεις	Υ x Π x Μ	496 χιλ. x 184 χιλ. x 249 χιλ.
Βάρος καθαρό		6,0 Χγρ.
Κατηγορία ασφάλειας		☐/II

GEB005-5

- Λόγω του συνεχιζόμενου προγράμματος έρευνας και ανάπτυξης, οι παρούσες προδιαγραφές υπόκεινται σε αλλαγή χωρίς προειδοποίηση.
- Τα τεχνικά χαρακτηριστικά μπορεί να διαφέρουν από χώρα σε χώρα.
- Βάρος σύμφωνα με διαδικασία ΕΡΤΑ 01/2003

ENE009-1

**Προοριζόμενη χρήση**

Το εργαλείο προορίζεται για κόψιμο ξύλου, πλαστικών και σιδηρούχων υλικών.

ENF002-2

**Ρευματοδότηση**

Το μηχάνημα πρέπει να συνδέεται μόνο σε παροχή ρεύματος της ίδιας τάσης με αυτή που αναφέρεται στην πινακίδα κατασκευαστού και μπορεί να λειτουργήσει μόνο με εναλλασσόμενο μονοφασικό ρεύμα. Τα μηχανήματα αυτά έχουν διπλή μόνωση και κατά συνέπεια, μπορούν να συνδεθούν σε ακροδέκτες χωρίς σύρμα γείωσης.

GEA010-1

**Γενικές προειδοποιήσεις ασφαλείας για το ηλεκτρικό εργαλείο**

**⚠️ ΠΡΟΕΙΔΟΠΟΙΗΣΗ** Διαβάστε όλες τις προειδοποιήσεις ασφαλείας και όλες τις οδηγίες. Η μη τήρηση των προειδοποιήσεων και οδηγιών ενδέχεται να καταλήξει σε ηλεκτροπληξία, πυρκαγιά ή/και σοβαρό τραυματισμό.

**Φυλάξτε όλες τις προειδοποιήσεις και τις οδηγίες για μελλοντική παραπομπή.**

**ΦΟΡΗΤΟ ΠΡΙΟΝΙ ΖΩΝΗΣ — ΠΡΟΕΙΔΟΠΟΙΗΣΕΙΣ ΑΣΦΑΛΕΙΑΣ**

1. **Να κρατάτε τα ηλεκτρικά εργαλεία μόνον από τις μονωμένες επιφάνειες συγκράτησης, κατά την εκτέλεση εργασίας όπου το παρελκόμενο κοπής ενδέχεται να έλθει σε επαφή με κρυφές καλωδιώσεις ή το δικό του καλώδιο τροφοδοσίας.** Σε περίπτωση επαφής του παρελκόμενου κοπής με “ηλεκτροφόρο” καλώδιο, ενδέχεται να εκτεθειμένα μεταλλικά εξαρτήματα του ηλεκτρικού εργαλείου να καταστούν τα ίδια “ηλεκτροφόρα” και να προκαλέσουν ηλεκτροπληξία στο χειριστή.
2. **Χρησιμοποιείτε μόνο λάμες που είναι 1.140 χιλ. μήκος, 13 χιλ. πλάτος, και 0,5 χιλ. πάχος.**
3. **Ελέγξτε την λάμα προσεκτικά για ρωγμές ή ζημιές πριν από την λειτουργία. Αντικαταστήστε μία λάμα με ρωγμές ή ζημιές αμέσως.**
4. **Ασφαλίστε σταθερά το τεμάχιο εργασίας. Όταν κόβετε ένα σύνολο από τεμάχια εργασίας, βεβαιώστε ότι όλα τα τεμάχια εργασίας είναι ασφαλισμένα μαζί σταθερά πριν από το κόψιμο.**
5. **Το κόψιμο τεμαχίων εργασίας καλυμμένων με έλαιο μπορεί να προκαλέσει αφινιδιαστική απόσπαση της λάμας. Σφουγγίστε όλο το επί πλέον έλαιο από τα τεμάχια εργασίας πριν από την κοπή.**
6. **Ποτέ μη χρησιμοποιείτε έλαιο κοπής ως λιπαντικό κοπής. Χρησιμοποιείτε μόνο κηρό κοπής Makita.**
7. **Μη φοράτε γάντια κατά την λειτουργία.**

8. Κρατάτε το εργαλείο σταθερά και με τα δύο χέρια.
9. Κρατάτε τα χέρια σας μακριά από τα περιστρεφόμενα μέρη.
10. Όταν κόβετε μέταλλα, να προσέχετε για καυτά ιπτάμενα τεμαχίδια.
11. Μην αφήνετε το εργαλείο σε λειτουργία όταν δεν το προσέχετε.
12. Μην αγγίζετε την λάμα ή το τεμάχιο εργασίας αμέσως μετά την λειτουργία. Είναι εξαιρετικά θερμά και μπορεί να σας προκαλέσουν εγκαύματα.

## ΦΥΛΑΞΕΤΕ ΑΥΤΕΣ ΤΙΣ ΟΔΗΓΙΕΣ

### ΠΡΟΕΙΔΟΠΟΙΗΣΗ:

**ΜΗΝ** επιτρέψετε το βαθμό άνεσης ή εξοικείωσης με το προϊόν (λόγω επανειλημμένης χρήσης) να αντικαταστήσει την αυστηρή τήρηση των κανόνων ασφαλείας του παρόντος εργαλείου. **ΚΑΚΗ ΧΡΗΣΗ** ή αμέλεια να ακολουθήσετε τους κανόνες ασφαλείας που διατυπώνονται σ'αυτό το εγχειρίδιο οδηγιών μπορεί να προκαλέσει σοβαρό προσωπικό τραυματισμό.

## ΠΕΡΙΓΡΑΦΗ ΛΕΙΤΟΥΡΓΙΑΣ

### ΠΡΟΣΟΧΗ:

• Πάντοτε βεβαιώνετε ότι το εργαλείο είναι σβηστό και αποσυνδεδεμένο από το ρεύμα πριν ρυθμίσετε ή ελέγξετε κάποια λειτουργία στο εργαλείο.

### Δράση διακόπτη (Εικ. 1)

#### ΠΡΟΣΟΧΗ:

• Πριν συνδέσετε στο ρεύμα το εργαλείο, πάντοτε ελέγχετε να δείτε ότι η σκανδάλη διακόπτη ενεργοποιείται κατάλληλα και επιστρέφει στην θέση "OFF" όταν ελευθερώνεται.

Για να ξεκινήσει το μηχανήμα, απλώς τραβήχτε την σκανδάλη διακόπτη. Ελευθερώστε την σκανδάλη διακόπτη για να σταματήσει.

Για συνεχή λειτουργία, τραβήχτε την σκανδάλη διακόπτη και μετά σπρώχτε μέσα το κουμπί κλειδώματος.

Για να σταματήσετε το εργαλείο από την θέση κλειδώματος, τραβήχτε πλήρως την σκανδάλη διακόπτη, μετά ελευθερώστε την.

### Καντράν ρύθμισης ταχύτητας (Εικ. 2)

Η ταχύτητα του εργαλείου μπορεί να ρυθμιστεί απειροστικά μεταξύ 1,0 μ/δ και 1,7 μ/δ στρίβοντας το καντράν ρύθμισης. Υψηλότερη ταχύτητα επιτυγχάνεται όταν το καντράν γυριστεί στην διεύθυνση του αριθμού 5, χαμηλότερη ταχύτητα επιτυγχάνεται όταν γυριστεί στην διεύθυνση του αριθμού 1.

Επιλέξτε την κατάλληλη ταχύτητα για το τεμάχιο εργασίας που πρόκειται να κοπεί.

#### ΠΡΟΣΟΧΗ:

• Το καντράν ρύθμισης ταχύτητας μπορεί να περιστραφεί μόνο μέχρι το 5 και πίσω στο 1. Μη το εξαναγκάσετε πέραν του 5 ή του 1, γιατί η λειτουργία ρύθμισης ταχύτητας θα πάψει να εργάζεται.

## Αναμμα των λαμπών (Εικ. 3)

### ΠΡΟΣΟΧΗ:

• Μη προκαλέσετε χτύπημα στο φως, από το οποίο μπορεί να πάθει ζημιά ή μείωση χρόνου ωφέλιμης ζωής.

Για να ανάψετε την λάμπα, πατήστε την πλευρά "I (ON)" του διακόπτη της λάμπας. Πατήστε την πλευρά "O (OFF)" για να την σβήσετε.

### ΣΗΜΕΙΩΣΗ:

• Χρησιμοποιείτε ένα στεγνό ύφασμα για να σφουγγίσετε τις σκόνες από τους φακούς της λάμπας. Προσέχετε να μη γρατσουνίσετε τους φακούς της λάμπας, γιατί μπορεί να μειωθεί η φωτεινότητα.

• Μη χρησιμοποιείτε αραιωτή ή βενζίνη για να καθαρίσετε την λάμπα. Τέτοιοι διαλύτες μπορεί να προκαλέσουν ζημιά.

• Μετά την λειτουργία, πάντοτε σβήνετε το φως πατώντας την πλευρά "O (OFF)".

## ΣΥΝΑΡΜΟΛΟΓΗΣΗ

### ΠΡΟΣΟΧΗ:

• Πάντοτε βεβαιώνετε ότι το εργαλείο είναι σβηστό και αποσυνδεδεμένο από το ρεύμα πριν εκτελέσετε οποιαδήποτε εργασία στο εργαλείο.

### Τοποθέτηση ή αφαίρεση της λάμας

#### ΠΡΟΣΟΧΗ:

• Ελαίο στην λάμα μπορεί να προκαλέσει μη αναμενόμενο γλιστρήμα ή απόσπαση της λάμας. Σφουγγίστε όλο το επι πλέον έλαιο με ένα ύφασμα πριν τοποθετήσετε την λάμα.

• Προσέχετε όταν χειρίζεστε την λάμα για να μη κοπείτε από την αιχμηρή κόψη των δοντιών της λάμας.

Στρίψτε τον μοχλό σύσφιξης της λάμας δεξιόστροφα μέχρι να χτυπήσει στην προεξοχή στο πλαίσιο. (Εικ. 4)

Ευθυγραμμίστε την διεύθυνση του βέλους στην λάμα με εκείνη του βέλους στους τροχούς.

Βάλτε την λάμα μεταξύ των ρουλεμάν της άνω θήκης πρώτα και μετά εντός της κάτω θήκης. Το πίσω μέρος της λάμας πρέπει να κάνει επαφή με τα ρουλεμάν στο χαμηλότερο μέρος της άνω θήκης και κάτω θήκης. (Εικ. 5)

Τοποθετήστε την λάμα γύρω στους τροχούς και βάλτε την άλλη πλευρά της λάμας μέσα στην άνω και κάτω θήκη μέχρι το πίσω μέρος της λάμας να είναι σε επαφή με το κατώτατο μέρος της άνω και κάτω θήκης.

Τοποθετήστε την λάμα μέσα στην αυλάκωση στον οδηγό λάμας.

Κρατήστε την λάμα στην θέση της και στρίψτε τον μοχλό σύσφιξης λάμας αριστερόστροφα μέχρι να χτυπήσει στην προεξοχή του πλαισίου. Με τον τρόπο αυτό εφαρμόζεται η κατάλληλη τάση στην λάμα. Βεβαιωθείτε ότι η λάμα είναι σωστά τοποθετημένη μέσα στον προφυλακτήρα λάμας και γύρω στους τροχούς.

Ξεκινήστε και σταματήστε το εργαλείο δύο ή τρεις φορές για να βεβαιωθείτε ότι η λάμα λειτουργεί σωστά πάνω στους τροχούς. (Εικ. 6 και 7)

## ΠΡΟΣΟΧΗ:

- Ενώ βεβαιώνετε ότι η λάμα λειτουργεί σωστά πάνω στους τροχούς, κρατάτε το σώμα σας μακριά από την περιοχή της λάμας.

Για να αφαιρέσετε την λάμα, ακολουθείτε την διαδικασία τοποθέτησης αντίστροφα.

## ΠΡΟΣΟΧΗ:

- Όταν στρίβετε τον μοχλό σύσφιξης της λάμας δεξιόστροφα για να ελευθερώσετε την τάση επί της λάμας, διευθύνετε το εργαλείο προς τα κάτω γιατί η λάμα μπορεί να εκτιναχθεί αιφνிடιαστικά.

## Ρύθμιση μήκους προεξοχής της πλάκας θερματιστήρα (Εικ. 8)

Κατά την συνήθη λειτουργία, προεκτείνετε πλήρως την πλάκα θερματιστή στην πλευρά Α.

Όταν η πλάκα θερματιστή χτυπήσει κάποιο εμπόδιο όπως ένας τοίχος ή κάτι παρόμοιο κατά το τέλος μιάς κοπής, χαλαρώστε δύο βίδες και σύρτε την στην πλευρά Β όπως στην εικόνα.

Αφού σύρτε την πλάκα θερματιστή, ασφαλίστε την σφίγγοντας τις δύο βίδες σταθερά.

## ΛΕΙΤΟΥΡΓΙΑ

Είναι σημαντικό να κρατάτε τουλάχιστον δύο δόντια στην κοπή. Επιλέξτε την κατάλληλη θέση κοπής για το τεμάχιο εργασίας σας ανατρέχοντας στην εικόνα.

### (Εικ. 9)

Κρατάτε το εργαλείο και με τα δυο σας χέρια όπως φαίνεται στην εικόνα με την πλάκα θερματιστή να εφάπτεται στο τεμάχιο εργασίας και την λάμα σε απόσταση από το τεμάχιο εργασίας.

Ανάψτε το εργαλείο και περιμένετε μέχρι η λάμα να αποκτήσει πλήρη ταχύτητα. Απαλά χαμηλώστε την λάμα για την κοπή. Το βάρος του εργαλείου ή ελαφρά πίεση στο εργαλείο δίνουν επαρκή πίεση για εκτέλεση της κοπής. Μην εξαναγκάζετε το εργαλείο.

Καθώς πλησιάζετε προς το τέλος της κοπής, ελευθερώστε την πίεση και χωρίς να ανασκώσετε πραγματικά το εργαλείο, συγκρατήστε το ελαφρά έτσι ώστε να μη πέφτει βάρος πάνω στο τεμάχιο εργασίας. (Εικ. 10)

## ΠΡΟΣΟΧΗ:

- Εφαρμόζοντας υπερβολική πίεση στο εργαλείο ή στρίψιμο της λάμας μπορεί να προκαλέσει κωνική κοπή ή ζημιά στην λάμα.
- Όταν δεν χρησιμοποιείτε το εργαλείο για μακροχρόνιο διάστημα, αφαιρέστε την λάμα από το εργαλείο.

Όταν κόβετε μέταλλα, χρησιμοποιείτε κηρό κοπής Makita ως λιπαντικό κοπής. Για να εφαρμόσετε τον κηρό κοπής στα δόντια της λάμας, ξεκινήστε το εργαλείο και κόψτε μέσα στον κηρό κοπής όπως φαίνεται στην εικόνα αφού αφαιρέσετε το καπάκι του κηρού κοπής. (Εικ. 11)

## ΠΡΟΣΟΧΗ:

- Ποτέ μη χρησιμοποιήσετε έλαιο κοπής ή εφαρμόσετε υπερβολική ποσότητα κηρού στην λάμα. Αυτό μπορεί να προκαλέσει γλιστρήμα της λάμας ή αιφνιδιαστική απόσπαση.
- Όταν κόβετε χυτοσίδηρο, μη χρησιμοποιείτε καθόλου κηρό κοπής.

## ΣΥΝΤΗΡΗΣΗ

### ΠΡΟΣΟΧΗ:

- Πάντοτε βεβαιώνετε ότι το εργαλείο είναι σβηστό και αποσυνδεδεμένο από το ρεύμα πριν επιχειρήσετε να εκτελέσετε επιθεώρηση ή συντήρηση.
- Μην χρησιμοποιείτε ποτέ βενζίνη, πετρελαϊκό αιθέρα, διαλυτικό, αλκοόλη ή παρόμοιες ουσίες. Ενδέχεται να προκληθεί αποχρωματισμός παραμόρφωση ή ρωγμές.

### Καθάρισμα

Μετά την χρήση, αφαιρέστε τον κηρό, σωματίδια και σκόνη από το εργαλείο, τα ελαστικά των τροχών και την λάμα.

### ΠΡΟΣΟΧΗ:

- Ποτέ μη χρησιμοποιήσετε διαλύτες όπως τερεβινίνη, βενζίνη, λάκα, κλπ. Για να καθαρίσετε πλαστικά μέρη.
- Κηρός και σωματίδια στα ελαστικά μπορεί να προκαλέσουν την λάμα να γλιστρήσει και αποσπαστεί αιφνιδιαστικά. Χρησιμοποιείτε ένα στεγνό ύφασμα για να αφαιρέσετε κηρό και σωματίδια από τα ελαστικά.

### Αντικατάσταση ελαστικών των τροχών (Εικ. 12)

Όταν η λάμα γλιστρά ή δεν έχει επαρκή έλξη λόγω πολύ εφθαρμένων ελαστικών, ή το χείλος του ελαστικού στην πλευρά του κινητήρα έχει ζημιά, τα ελαστικά πρέπει να αντικατασταθούν.

### Αντικατάσταση σωλήνα φθορισμού (Εικ. 13)

#### ΠΡΟΣΟΧΗ:

- Πάντοτε βεβαιώνετε ότι το εργαλείο είναι σβηστό και αποσυνδεδεμένο πριν αντικαταστήσετε τον σωλήνα φθορισμού.
- Μην εφαρμόσετε δύναμη, χτυπήματα ή γρατσουνιές σε ένα σωλήνα φθορισμού, που μπορεί να προκαλέσουν σπάσιμο του σωλήνα φθορισμού θα έχουν ως αποτέλεσμα τραυματισμό δικό σας ή των γύρω σας.
- Αφήστε τον σωλήνα φθορισμού για λίγη ώρα αμέσως μετά από την χρήση του και μετά αντικαταστήστε τον. Εάν όχι, μπορεί να σας προκαλέσει εγκαύματα.

Αφαιρέστε τις βίδες, που ασφαλίζουν το κουτί λάμας για το φως.

Τραβήξτε έξω το κουτί λάμας σπρώχνοντας συνεχώς ελαφρά την άνω θέση αυτού όπως φαίνεται στην εικόνα.

Αφαιρέστε τον σωλήνα φθορισμού και μετά αντικαταστήστε τον με έναν αυθεντικό καινούργιο της Makita.

### Αντικατάσταση των ψηκρών άνθρακα (Εικ. 14 και 15)

Αφαιρέτε και ελέγχετε τις ψήκτρες άνθρακα τακτικά. Αντικαθιστάτε τις όταν έχουν φθαρεί μέχρι το σημάδι ορίου. Κρατάτε τις ψήκτρες άνθρακα καθαρές και ελεύθερες να γλιστρούν στις θήκες. Και οι δύο ψήκτρες άνθρακα πρέπει να αντικαθίστανται ταυτόχρονα. Χρησιμοποιείτε μόνο ταυτόσημες ψήκτρες άνθρακα.

Χρησιμοποιείτε ένα κατσαβίδι για να αφαιρέσετε τα καπάκια της θήκης ψηκρών. Αφαιρέστε τις φθαρμένες ψήκτρες άνθρακα, βάλτε τις καινούργιες και ασφαλίστε τα καπάκια της θήκης ψηκρών.

Για τη διατήρηση της ΑΣΦΑΛΕΙΑΣ και ΑΞΙΟΠΙΣΤΙΑΣ του προϊόντος, επισκευές, οποιαδήποτε άλλη συντήρηση ή ρύθμιση πρέπει να εκτελούνται από τα εξουσιοδοτημένα κέντρα εξυπηρέτησης της Makita, χρησιμοποιώντας πάντοτε ανταλλακτικά της Makita.

## ΠΡΟΑΙΡΕΤΙΚΑ ΕΞΑΡΤΗΜΑΤΑ

### ΠΡΟΣΟΧΗ:

• Αυτά τα εξαρτήματα ή προσαρτήματα συνιστώνται για χρήση με το εργαλείο Makita που περιγράφηκε στις οδηγίες αυτές. Η χρήση οτιδήποτε άλλων εξαρτημάτων ή προσαρτημάτων μπορεί να προκαλέσει κίνδυνο τραυματισμού σε άτομα. Χρησιμοποιείτε τα εξαρτήματα ή προσαρτήματα μόνο για την χρήση που προορίζονται.

Εάν χρειάζεστε οποιαδήποτε βοήθεια για περισσότερες πληροφορίες σε σχέση με αυτά τα εξαρτήματα, αποτανθείτε στο τοπικό σας κέντρο εξυπηρέτησης Makita.

- Λάμες πριονιού ζώνης
- Εξάγωνο κλειδί 4
- Κηρός κοπή
- Βάση φορητού πριονιού ζώνης

### ΠΑΡΑΤΗΡΗΣΗ:

• Μερικά στοιχεία στη λίστα μπορεί να συμπεριλαμβάνονται στη συσκευασία εργαλείου ως στάνταρ εξαρτήματα. Μπορεί να διαφέρουν ανάλογα με τη χώρα.

ENG905-1

### Θορύβος

Το τυπικό A επίπεδο μετρημένου θορύβου καθορίζεται σύμφωνα με το EN60745:

- Στάθμη πίεσης ήχου ( $L_{pA}$ ): 86 dB(A)
- Στάθμη δύναμης ήχου ( $L_{WA}$ ): 98 dB(A)
- Αβεβαιότητα (K): 3 dB(A)

### Φοράτε ωτοασπίδες

ENG900-1

### Κραδασμός

Η ολική τιμή δόνησης (άθροισμα τρι-αξονικού διανύσματος) καθορίζεται σύμφωνα με το EN60745:

- Είδος εργασίας: κοπή σανίδας
- Εκπομπή δόνησης ( $a_{h,CW}$ ): 2,5 m/s<sup>2</sup> ή λιγότερο
- Αβεβαιότητα (K): 1,5 m/s<sup>2</sup>

- Είδος εργασίας: κοπή μετάλλων
- Εκπομπή δόνησης ( $a_{h,CM}$ ): 2,5 m/s<sup>2</sup> ή λιγότερο
- Αβεβαιότητα (K): 1,5 m/s<sup>2</sup>

ENG901-1

- Η δηλωμένη τιμή εκπομπής κραδασμών έχει μετρηθεί σύμφωνα με την πρότυπη μέθοδο δοκιμής και μπορεί να χρησιμοποιηθεί για τη σύγκριση ενός εργαλείου με άλλο.
- Η δηλωμένη τιμή εκπομπής κραδασμών μπορεί να χρησιμοποιηθεί και στην προκαταρκτική αξιολόγηση έκθεσης.

### ΠΡΟΕΙΔΟΠΟΙΗΣΗ:

- Η εκπομπή κραδασμών κατά τη χρήση του ηλεκτρικού εργαλείου σε πραγματικές συνθήκες μπορεί να διαφέρει από τη δηλωμένη τιμή εκπομπής ανάλογα με τον τρόπο χρήσης του εργαλείου.
- Φροντίστε να λάβετε τα κατάλληλα μέτρα προστασίας του χειριστή βάσει υπολογισμού της έκθεσης σε πραγματικές συνθήκες χρήσης (λαμβάνοντας υπόψη όλες τις συνιστώσες του κύκλου λειτουργίας όπως τους χρόνους που το εργαλείο είναι εκτός λειτουργίας και όταν βρίσκεται σε αδρανή λειτουργία πέραν του χρόνου ενεργοποίησης).

ENH101-13

### Μόνο για χώρες της Ευρώπης

### Δήλωση Συμμόρφωσης ΕΚ

**Η Makita Corporation, ως υπεύθυνος κατασκευαστής, δηλώνει ότι το/τα ακόλουθο(α) μηχάνημα(τα) της Makita:**

Χαρακτηρισμός μηχανήματος:

Φορητό πριόνι ζώνης

Αρ. μοντέλου/ Τύπος: 2107F

είναι εν σειρά παραγωγή και

**συμμορφώνονται με τις ακόλουθες Ευρωπαϊκές Οδηγίες:**

98/37/EK έως 28 Δεκεμβρίου 2009 και  
ακολουθώντας με την 2006/42/EK από 29  
Δεκεμβρίου 2009

και κατασκευάζονται σύμφωνα με τα ακόλουθα πρότυπα ή έγγραφα τυποποίησης:

EN60745

Η τεχνική τεκμηρίωση φυλάσσεται από τον εξουσιοδοτημένο εκπρόσωπό μας στην Ευρώπη, δηλαδή τη:

Makita International Europe Ltd.

Michigan Drive, Tongwell,

Milton Keynes, MK15 8JD, England (Αγγλία)

30.1.2009



Tomoyasu Kato

Διευθυντής

Makita Corporation

3-11-8, Sumiyoshi-cho,

Anjo, Aichi, JAPAN

**Makita Corporation**

Anjo, Aichi, Japan