

ROBO MAKER[®]

il laboratorio di
robotica educativa



digital

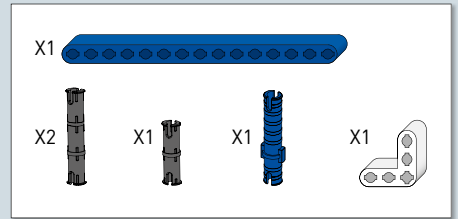
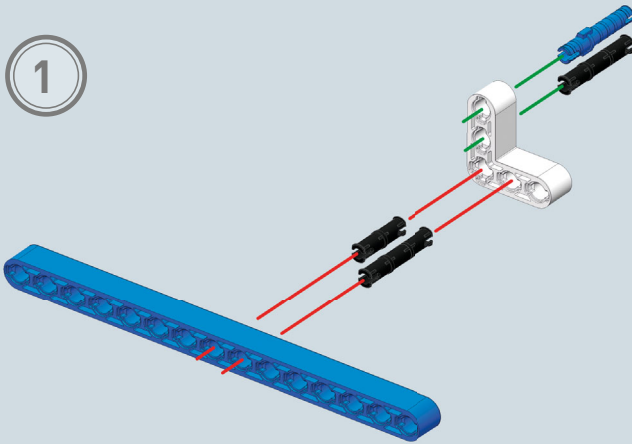


X2 - ELEVATOR

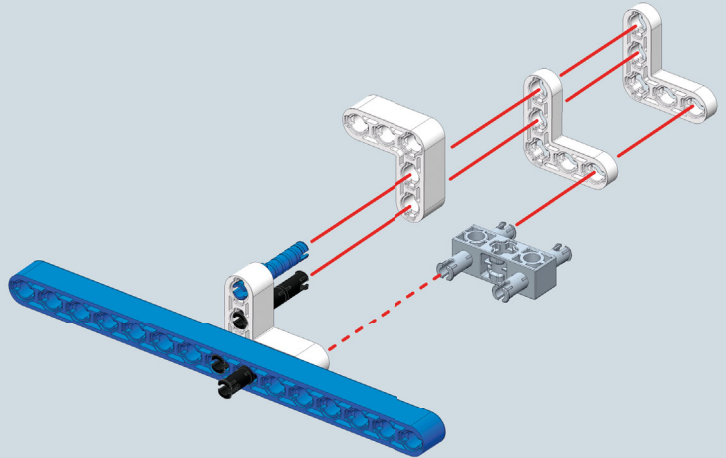
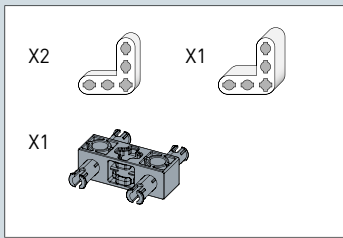
ACTIVITY 1



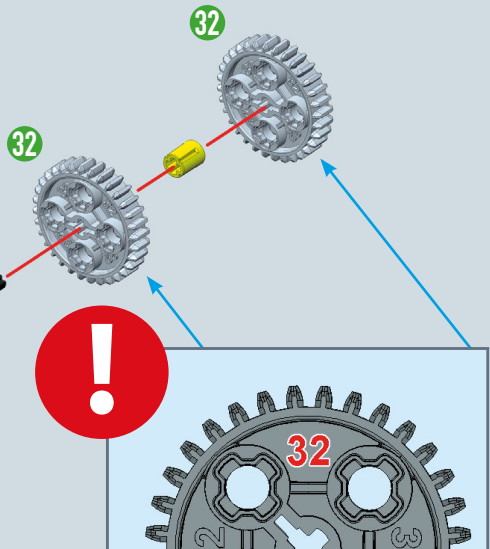
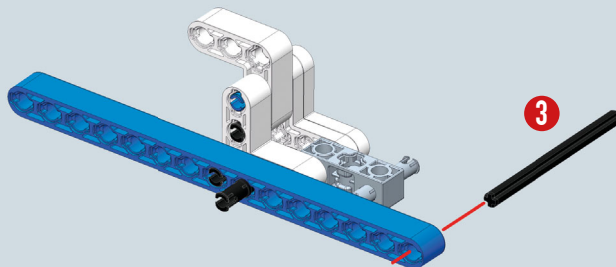
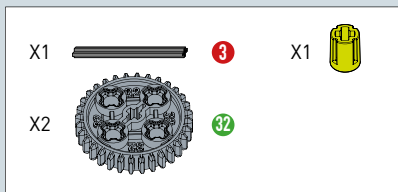
1



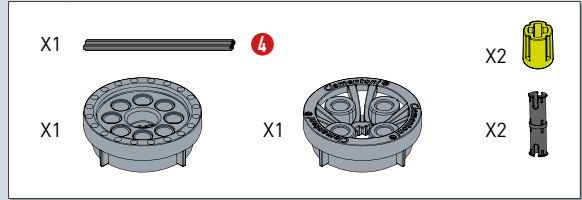
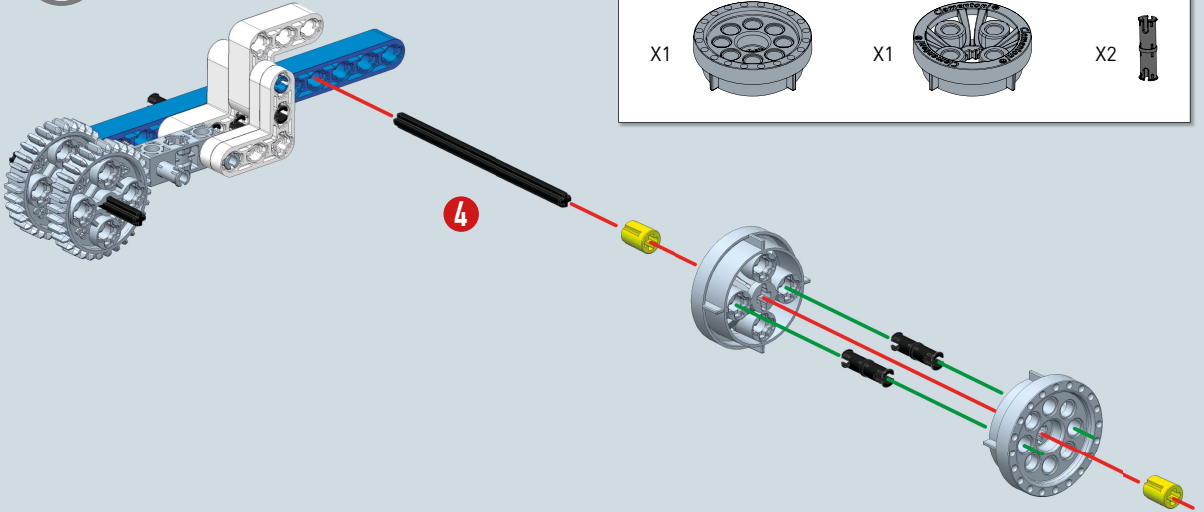
2



3

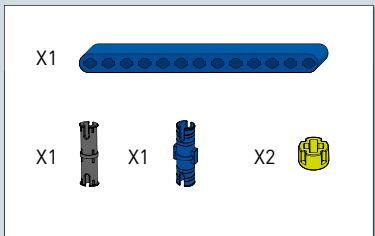
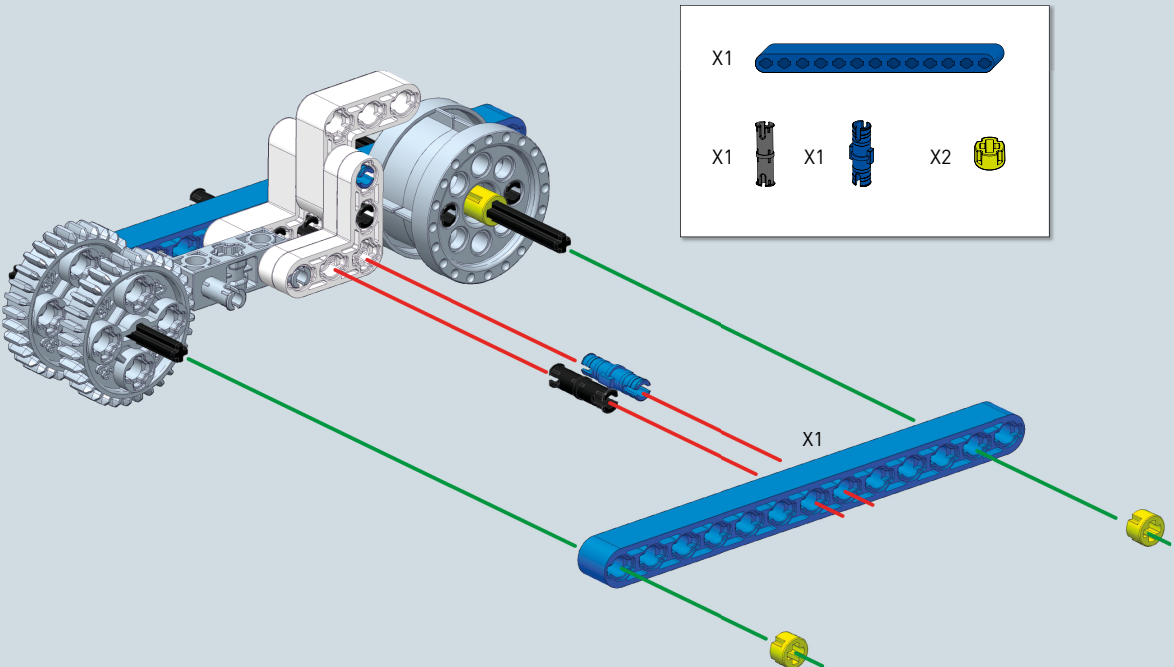


4



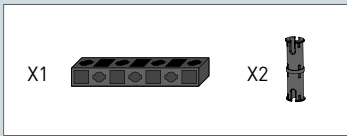
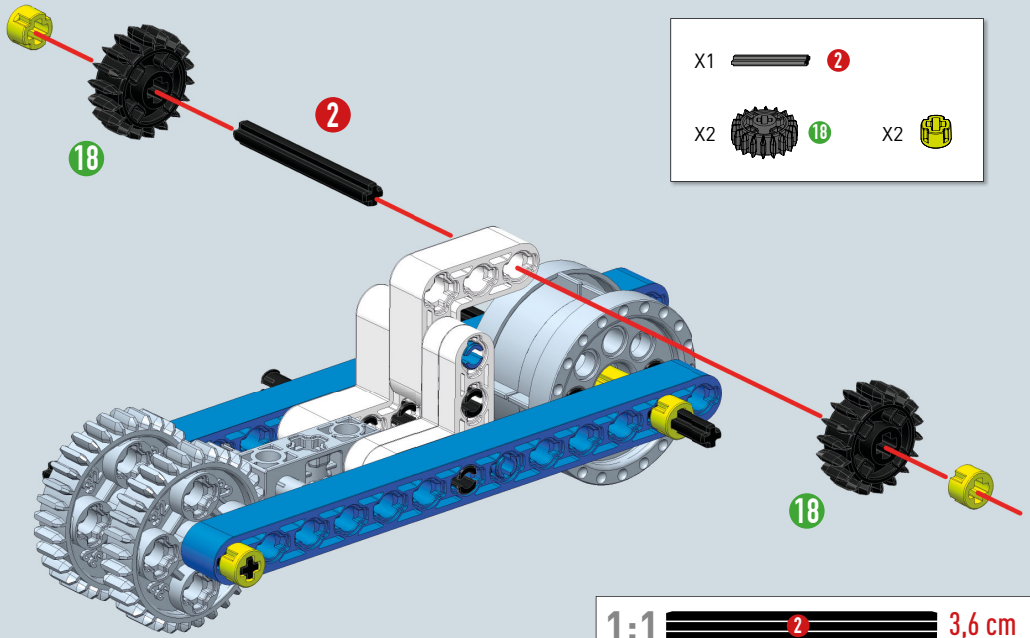
1:1  7,2 cm

5

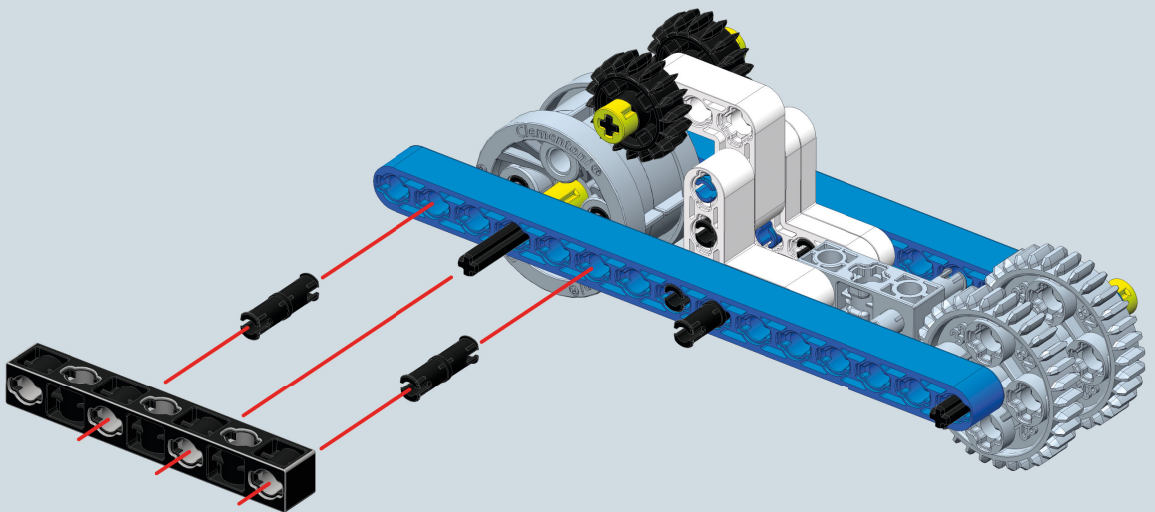


4

6



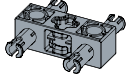


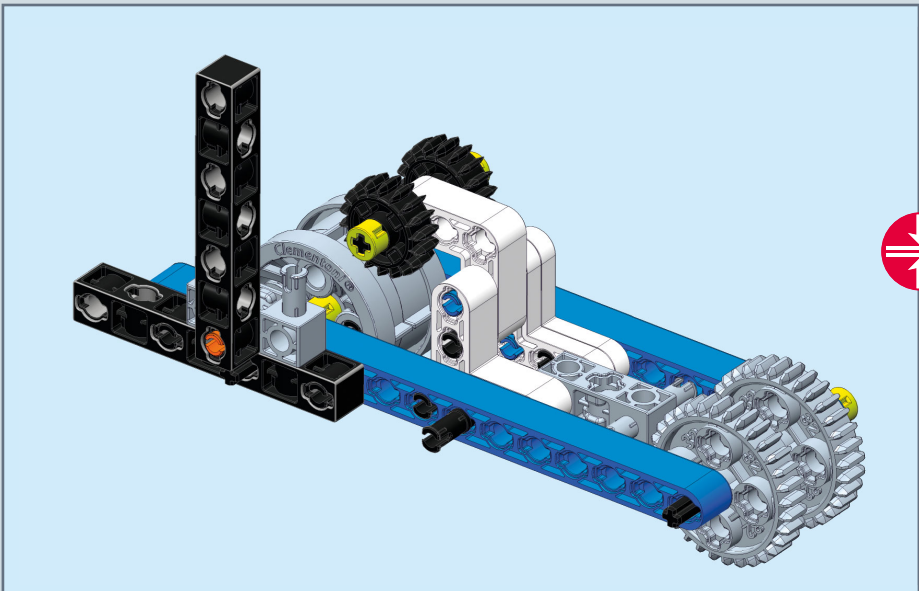
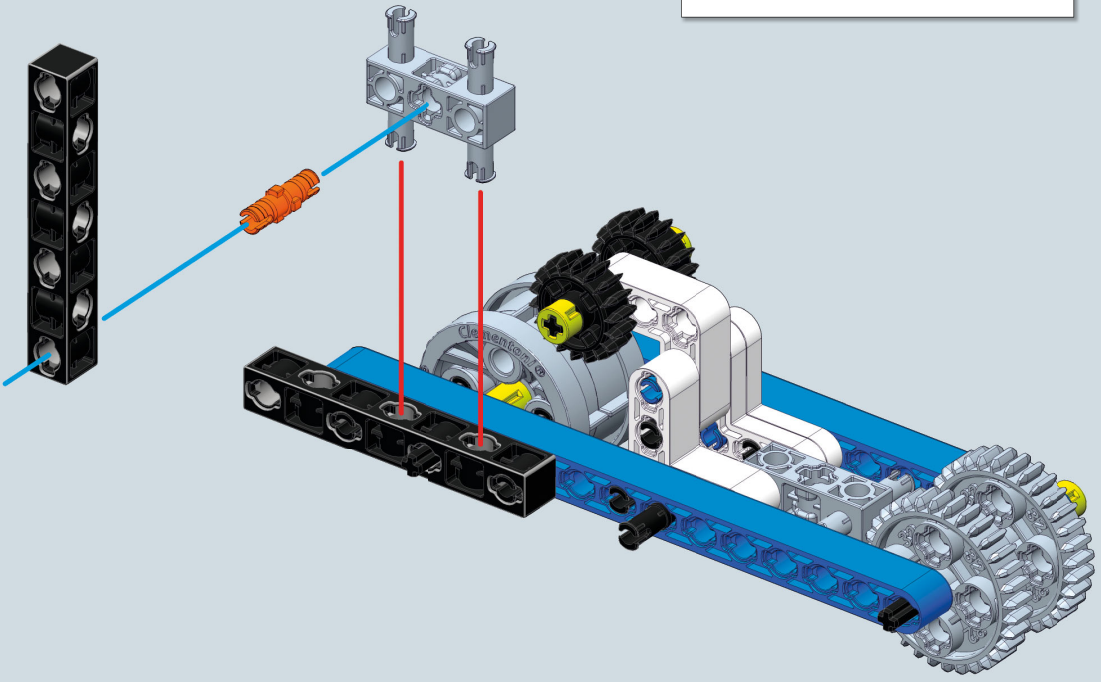
7



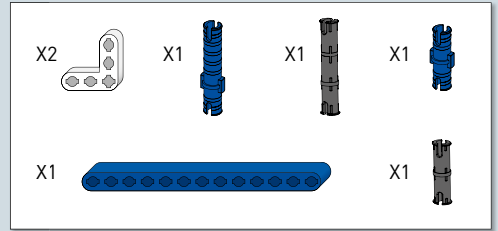
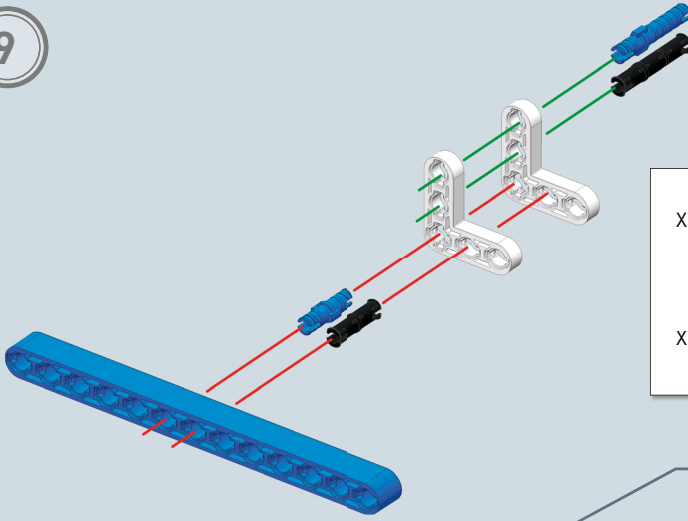
5

8

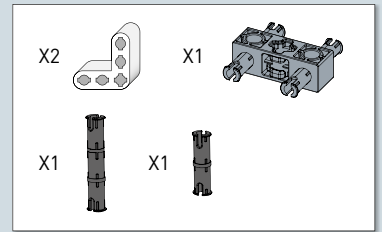
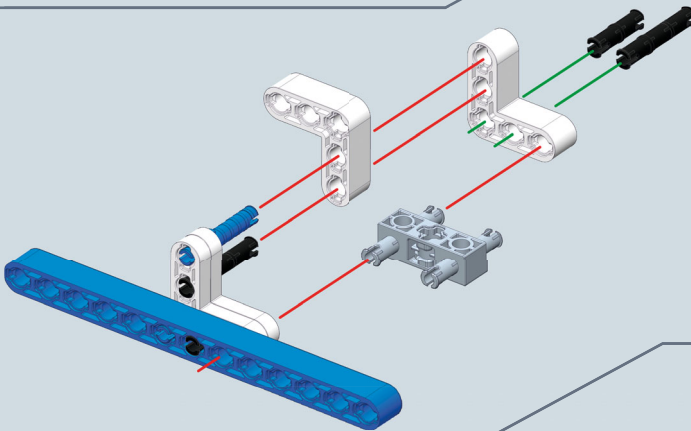
- X1  X1 
- X1 



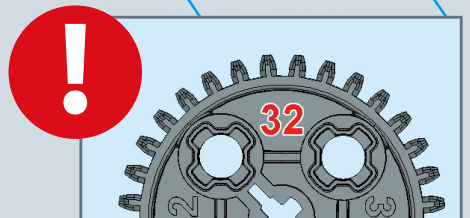
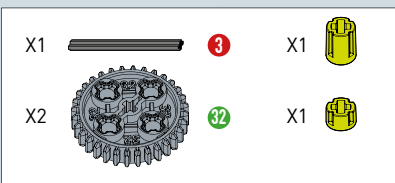
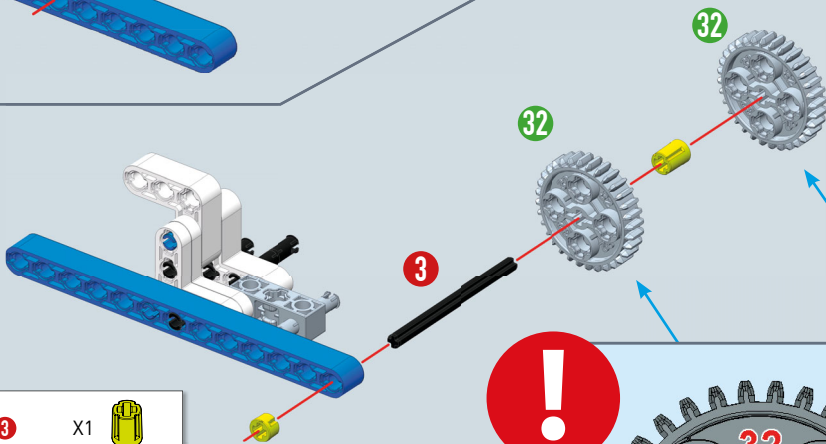
9



10

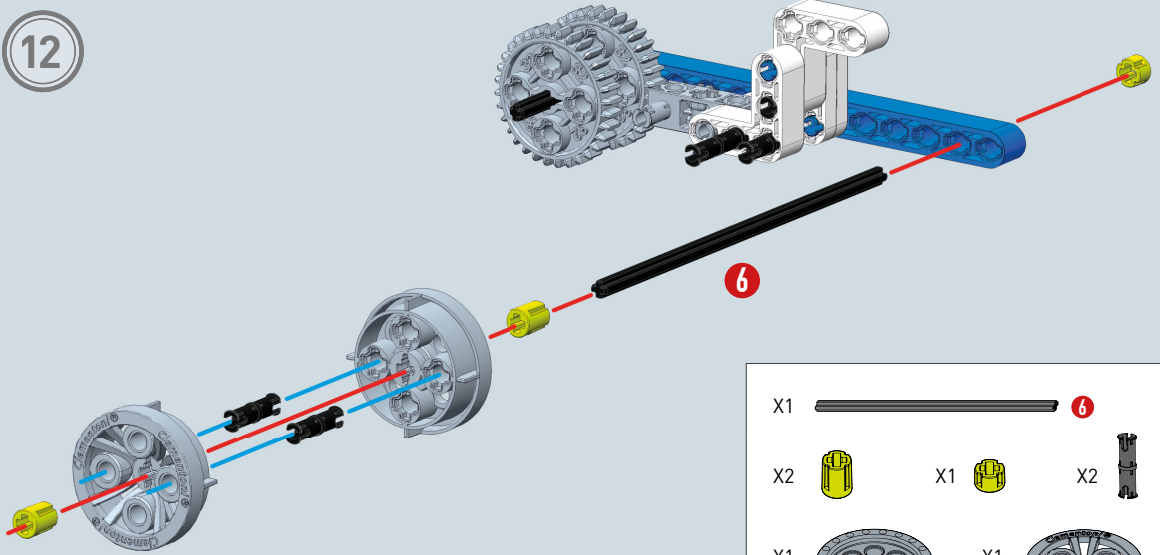


11





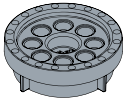
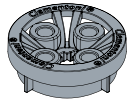


7

12



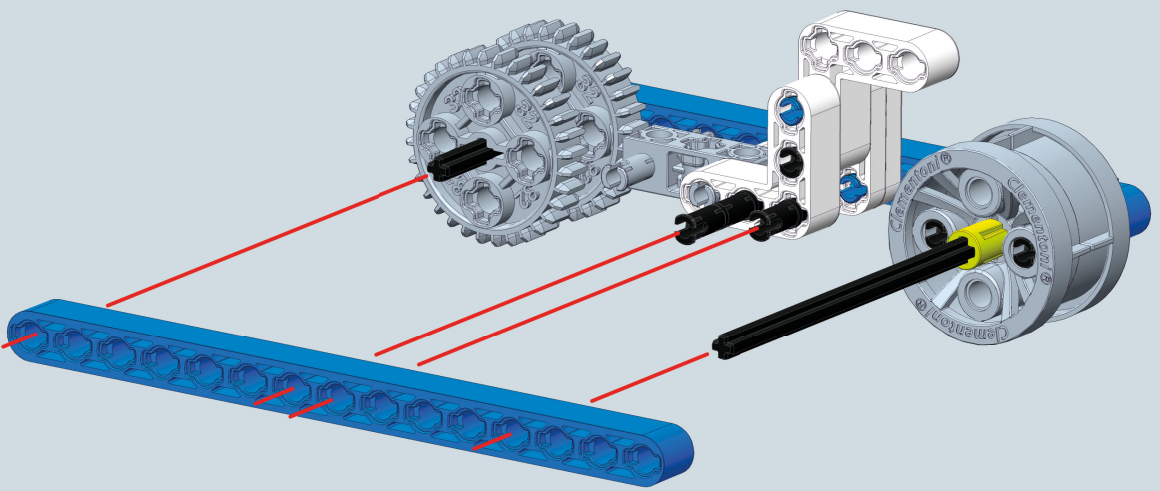
6

- X1  6
- X2  X1  X2 
- X1  X1 

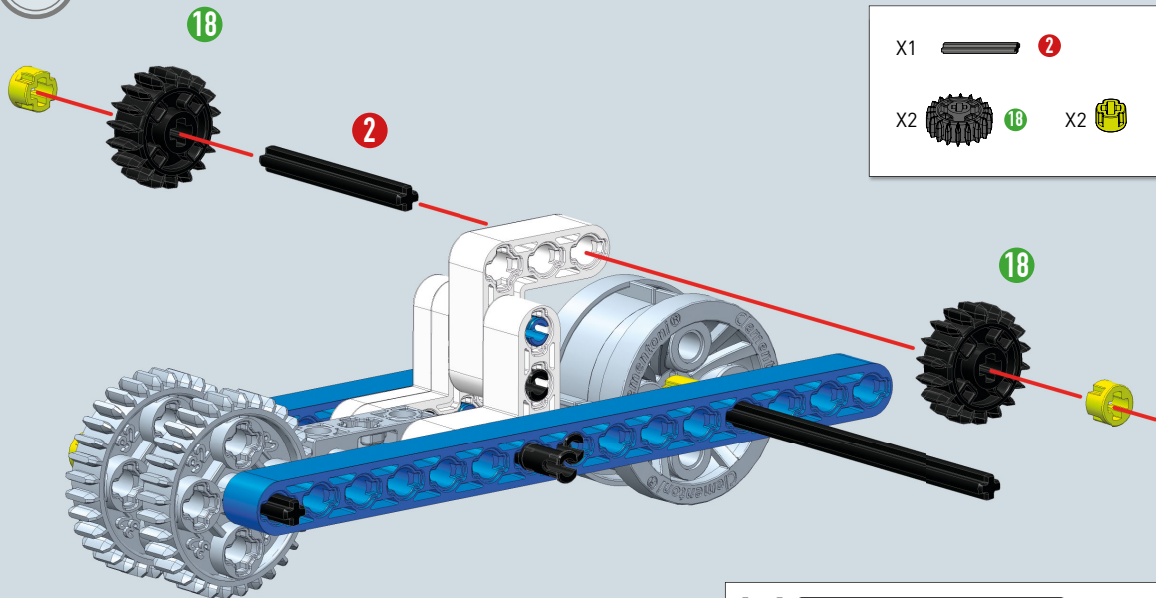
1:1  11,7 cm

13

- X1 



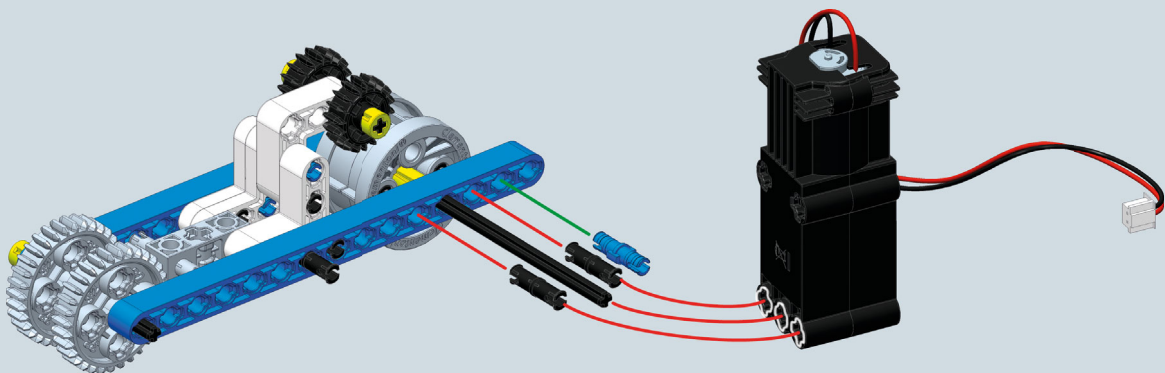
14



- X1 2
- X2 18
- X2 2

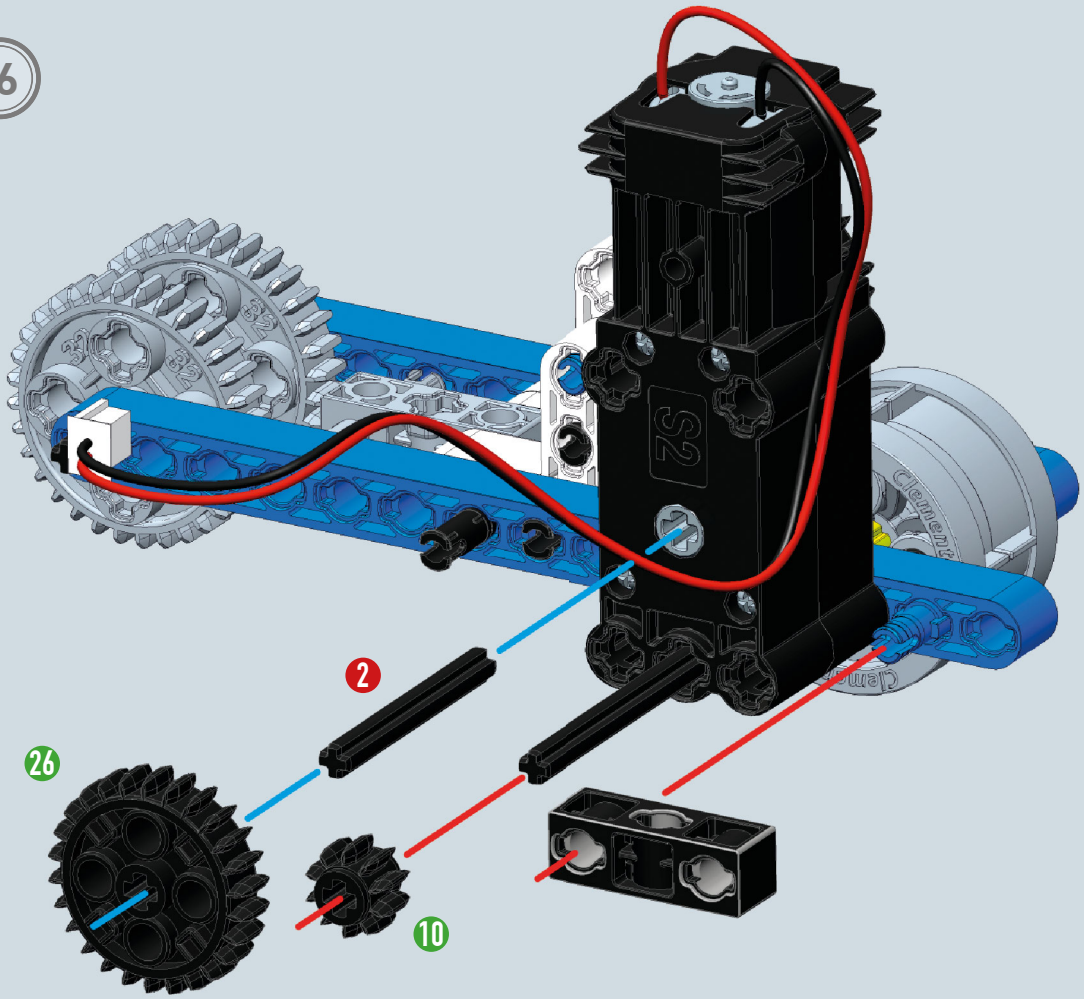
1:1 3,6 cm

15

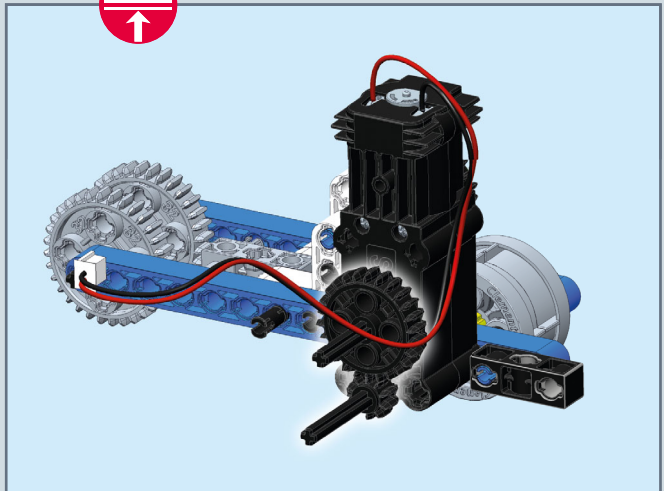


- X1
- X2
- X1

16

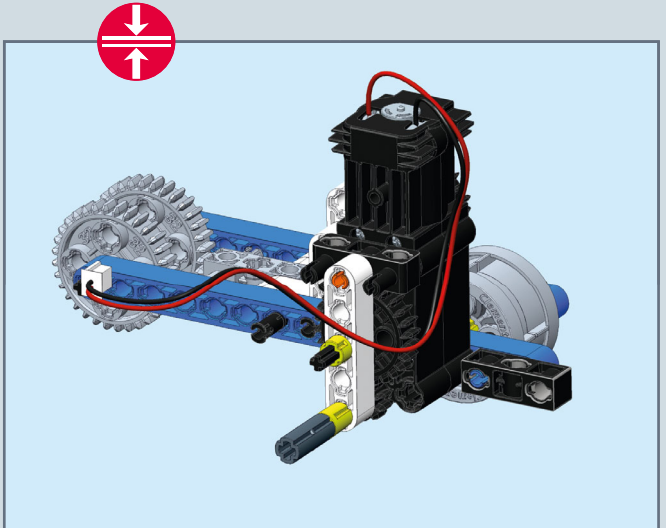
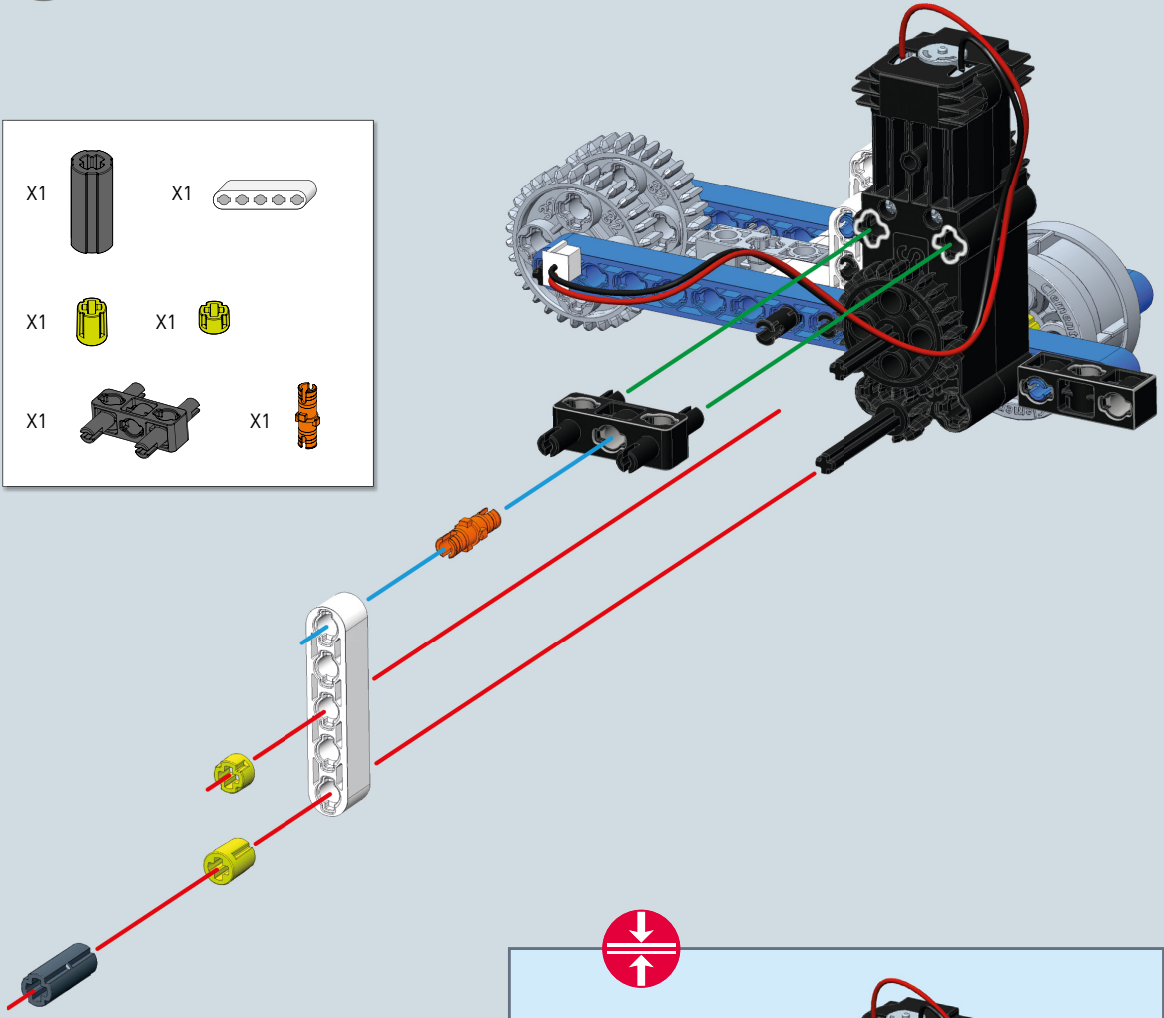
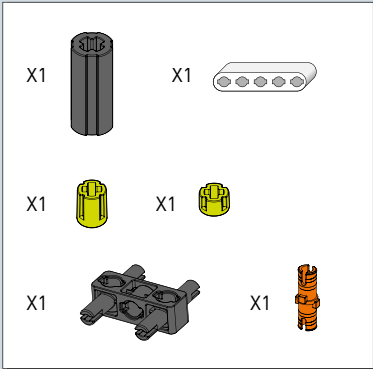


X1		X1	
X1		X1	

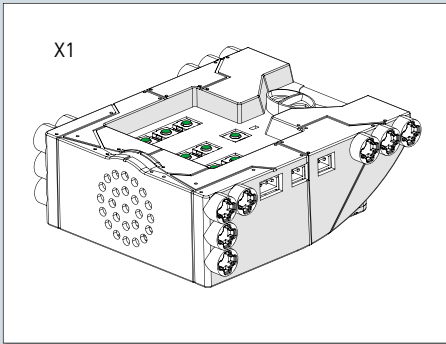
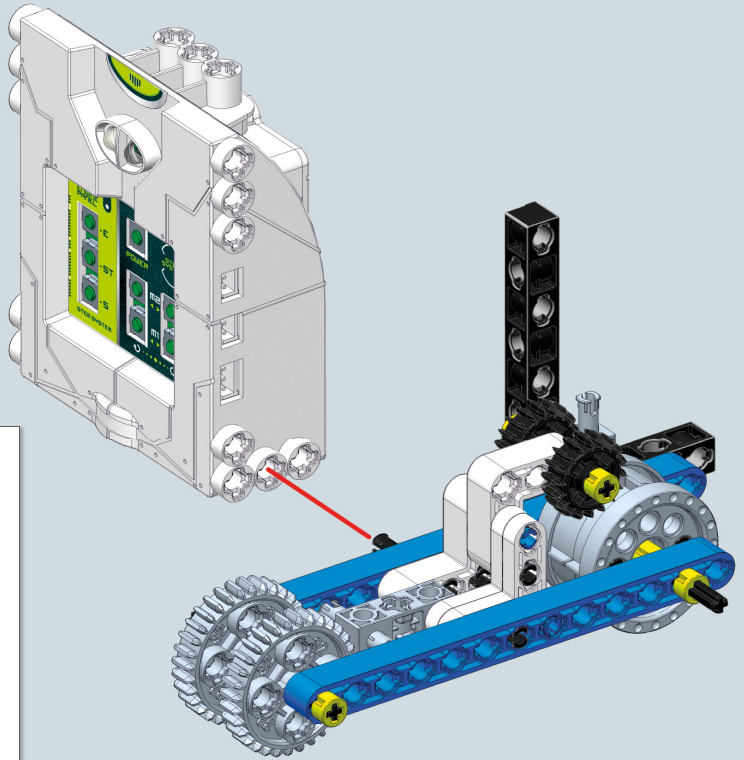


1:1  3,6 cm

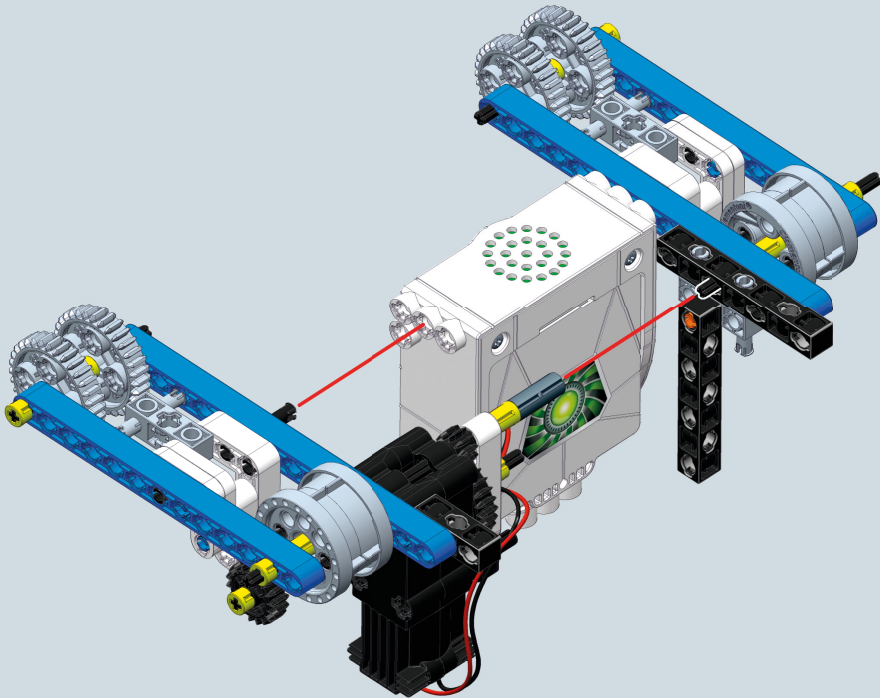
17



18

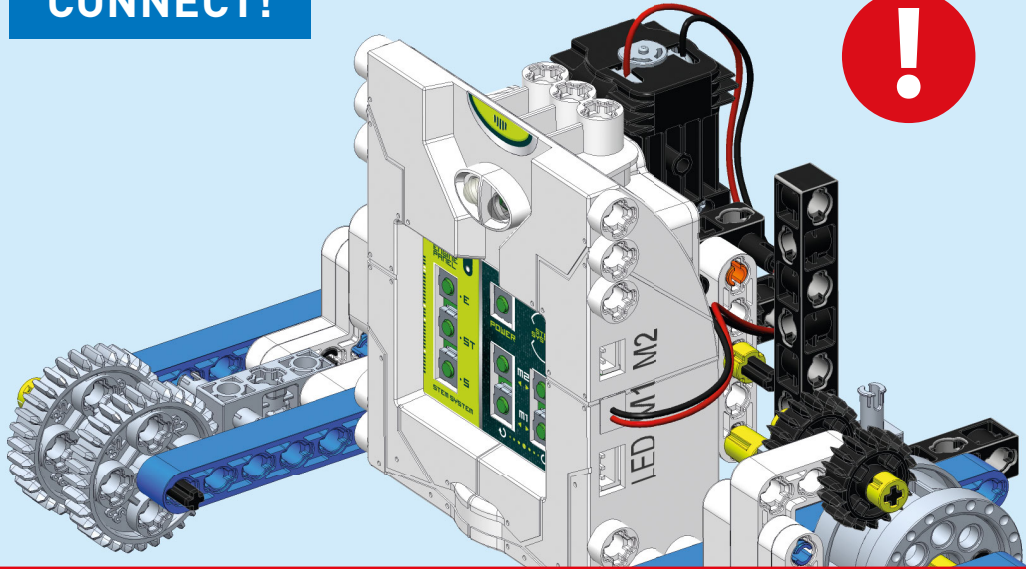


19

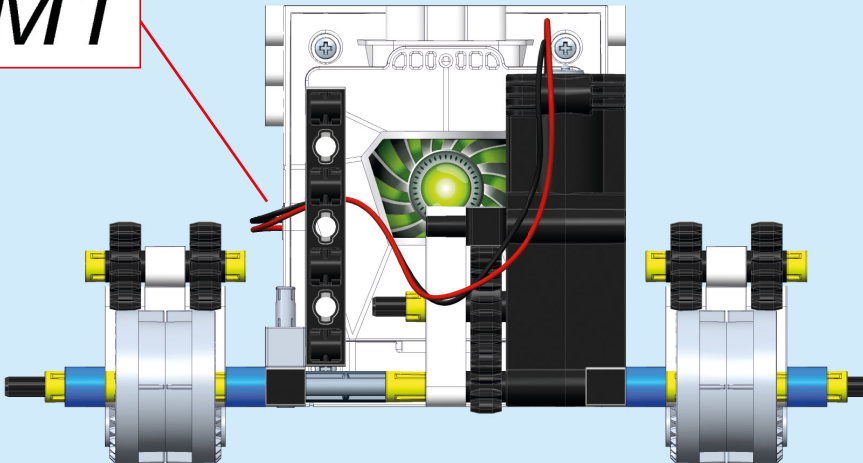


12

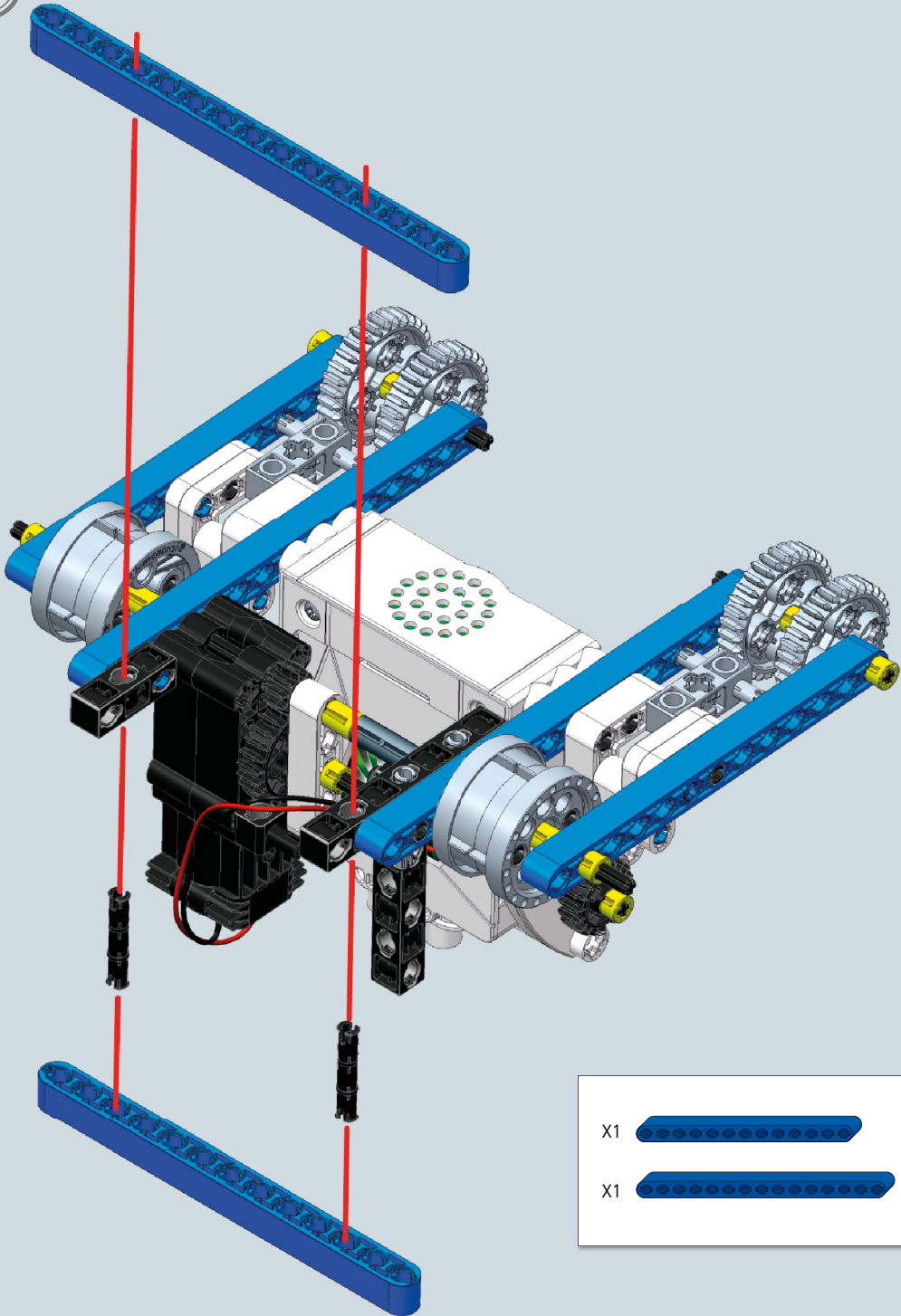
CONNECT!



M1

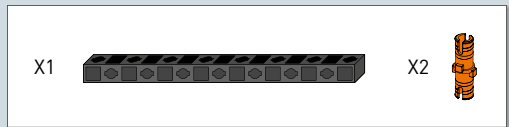
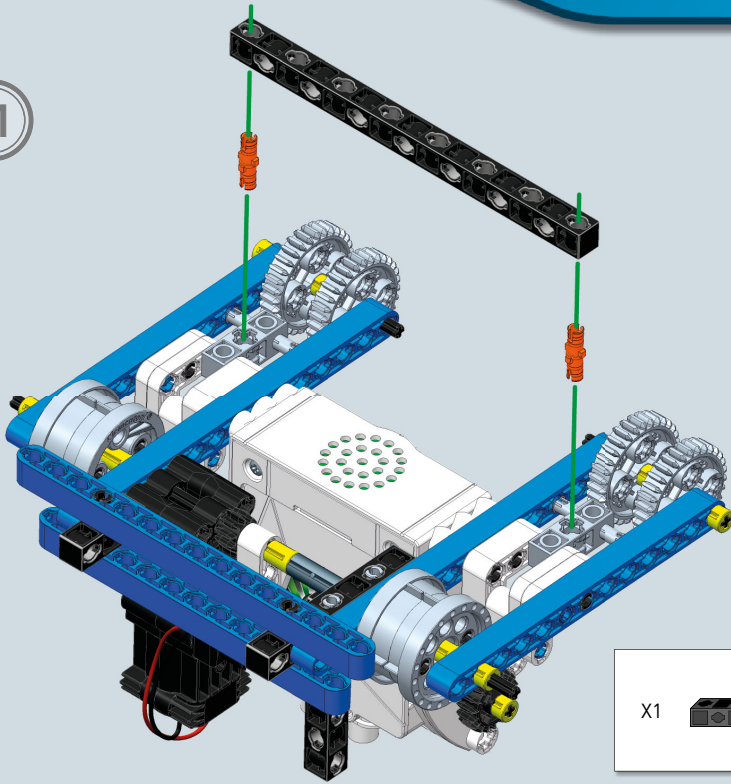


20

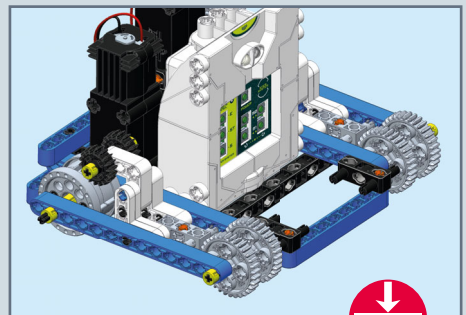
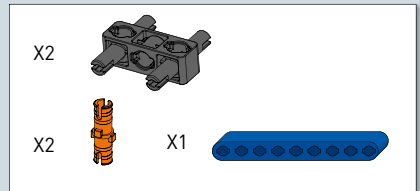
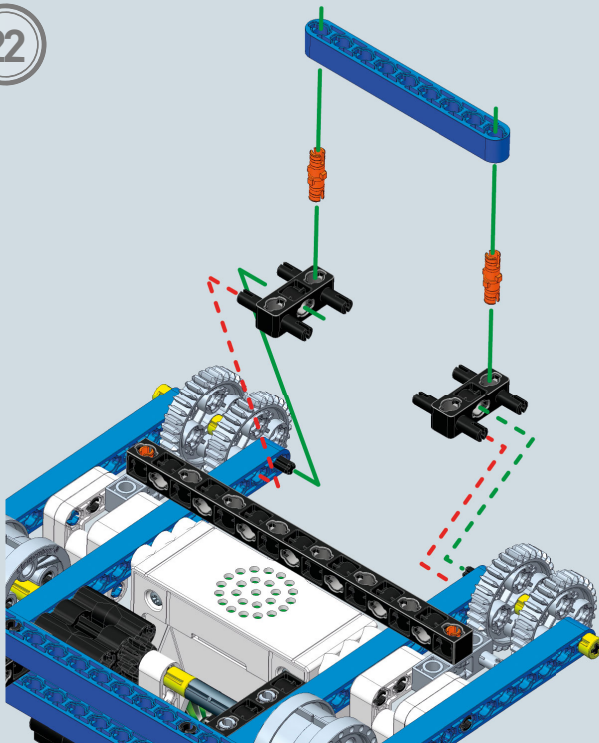


- | | | | |
|----|--|----|--|
| X1 | | X2 | |
| X1 | | | |

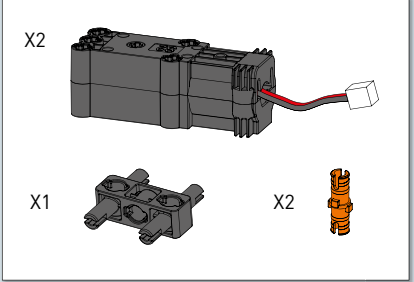
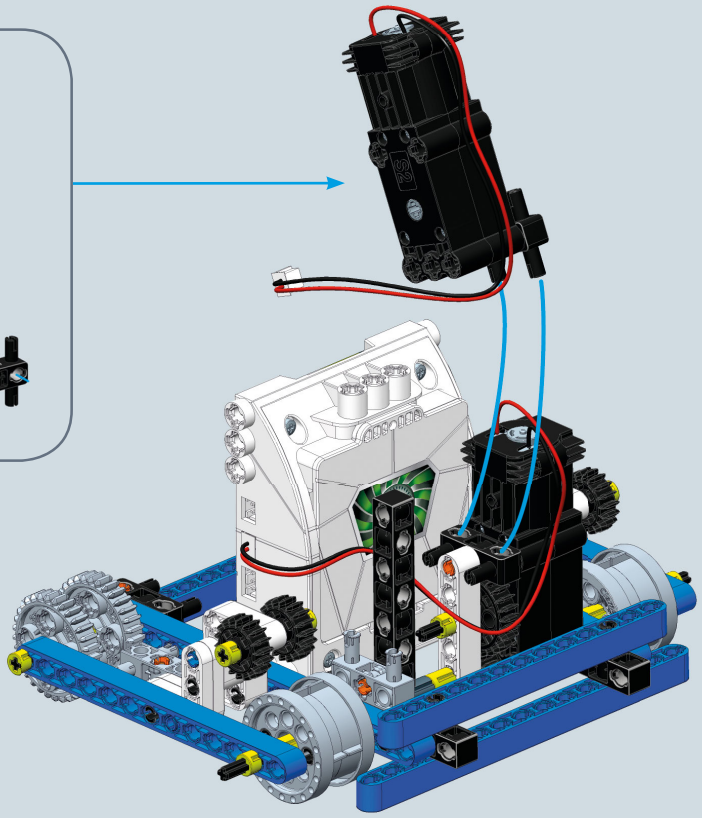
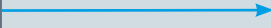
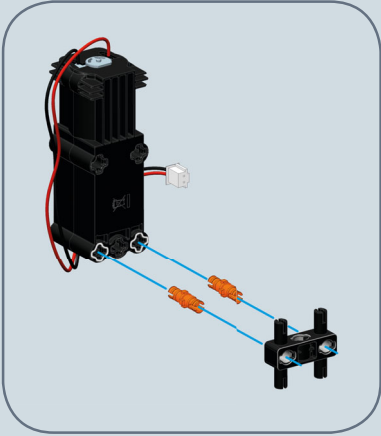
21



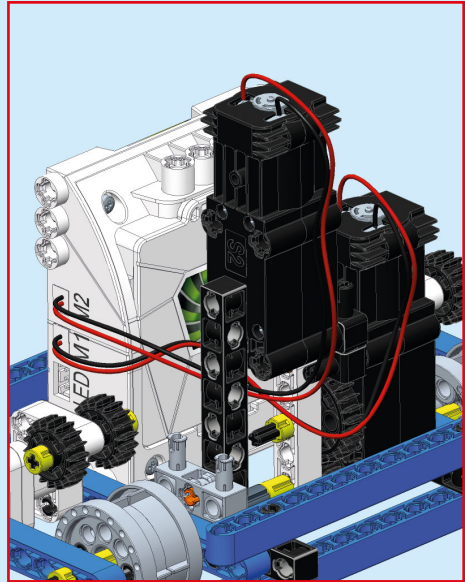
22



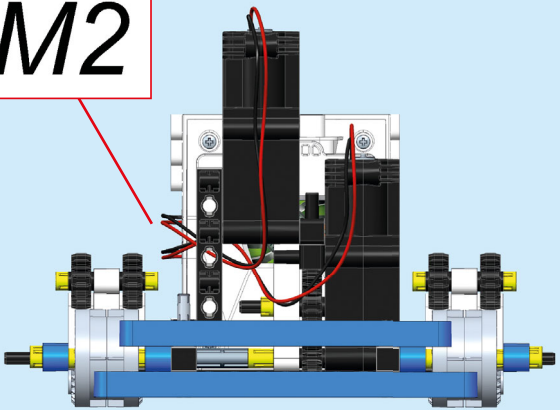
23



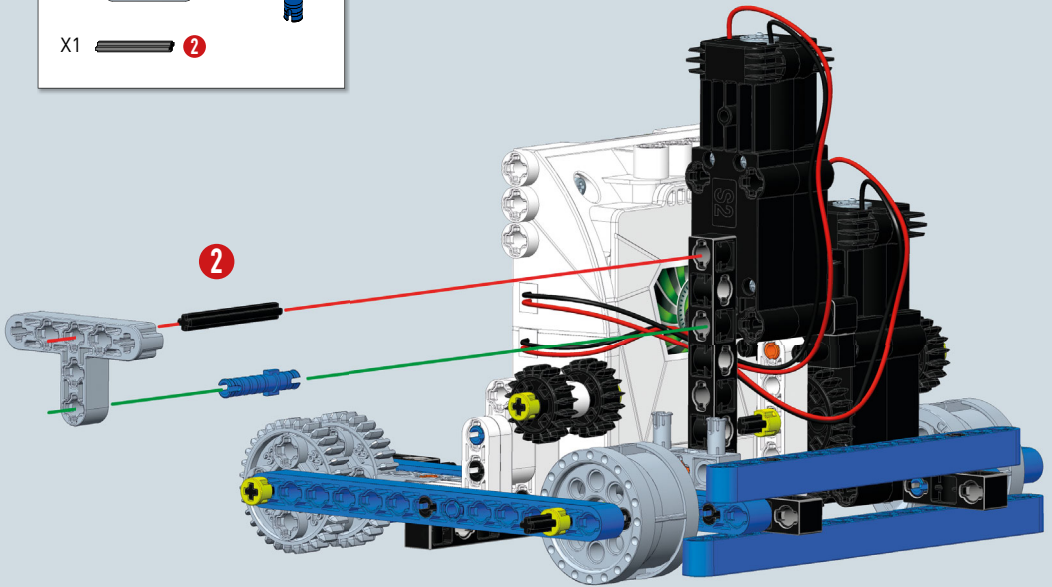
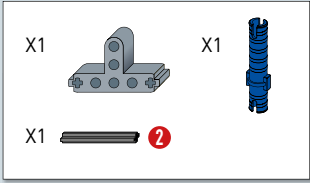
CONNECT!



M2

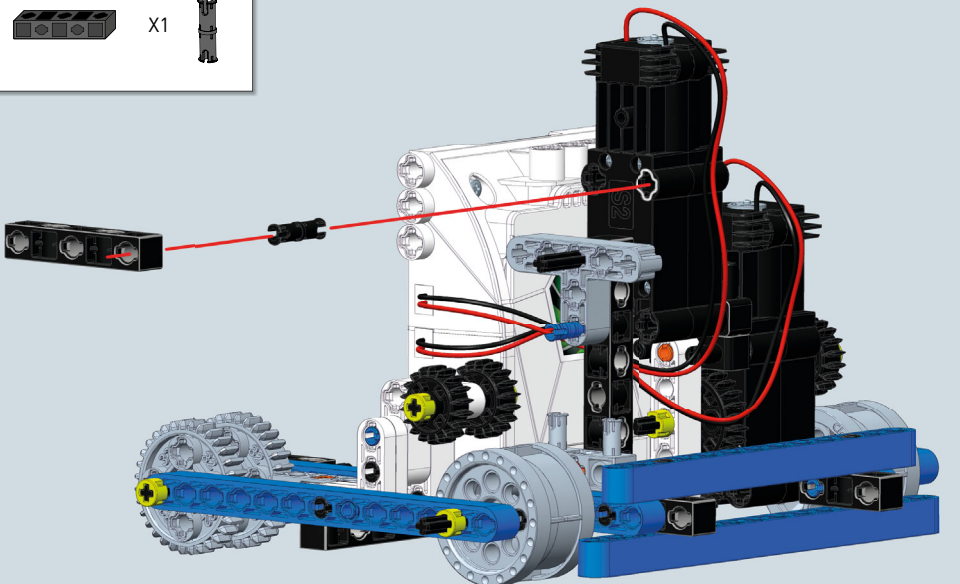
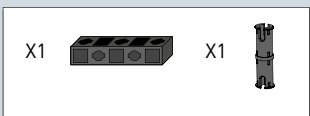





24

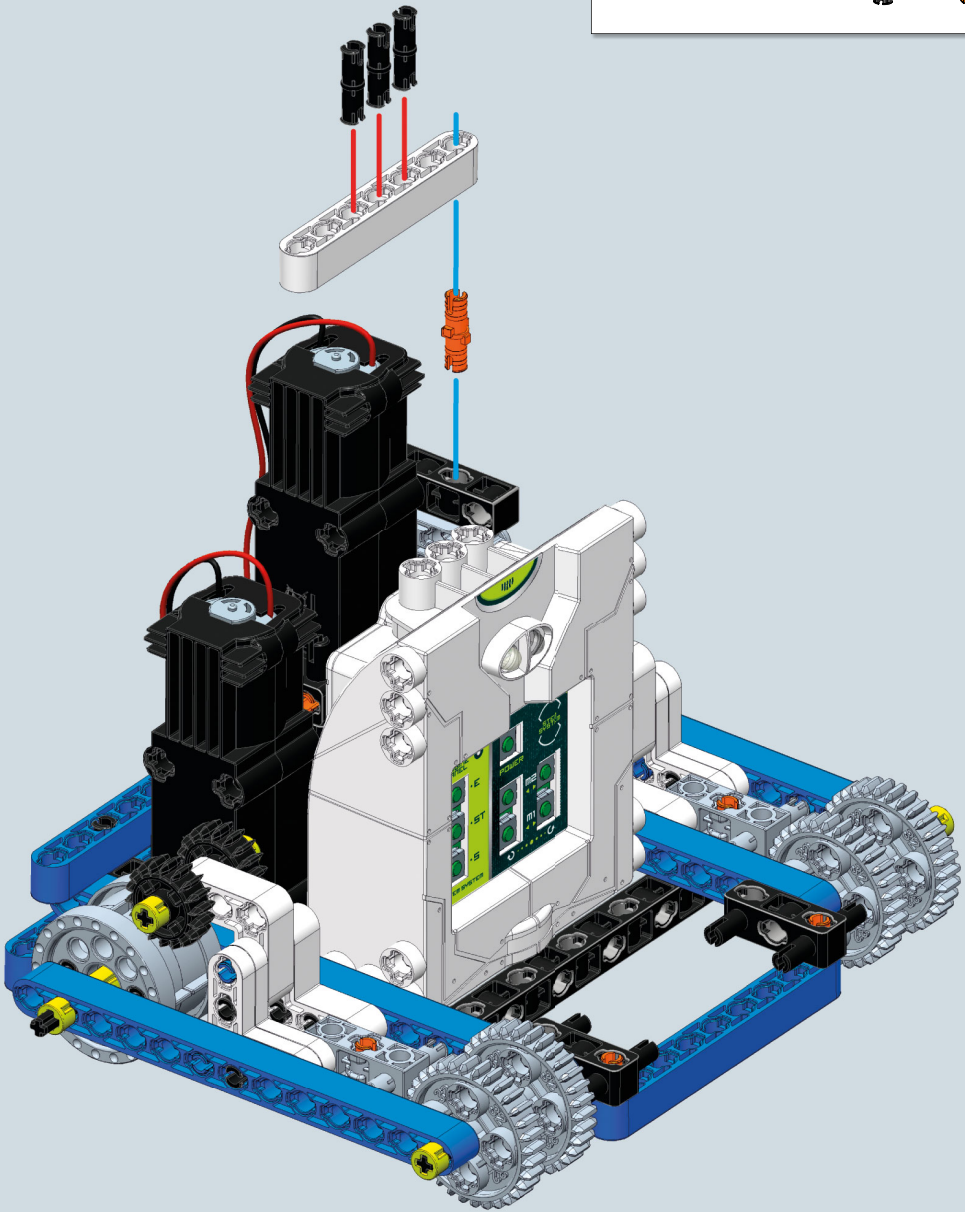


1:1  3,6 cm

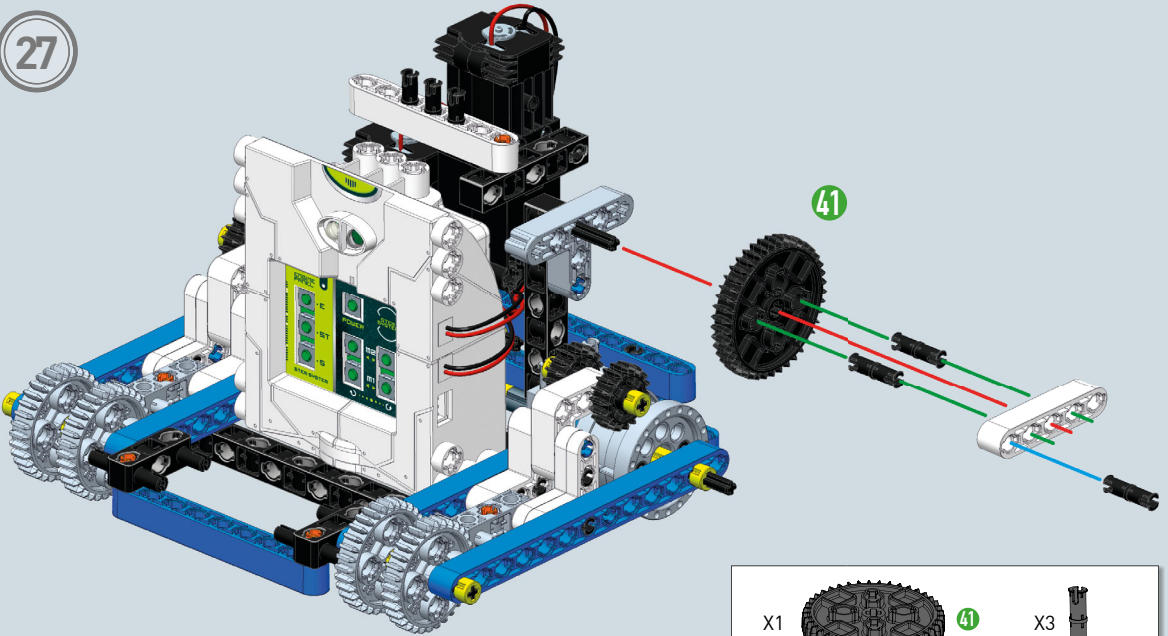
25



X1  X3  X1 

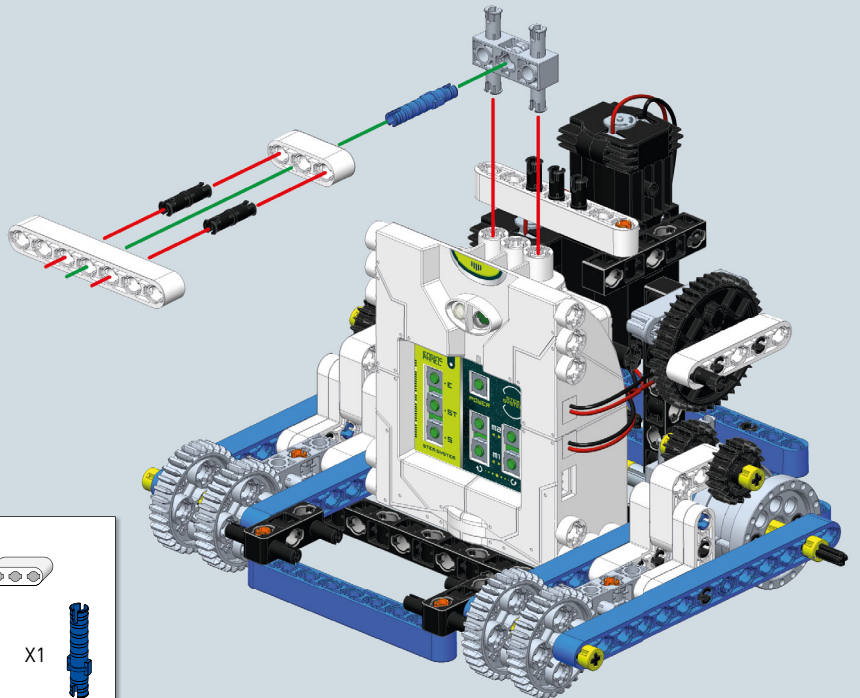


27



- | | | | |
|----|--|----|--|
| X1 | | X3 | |
| X1 | | | |

28



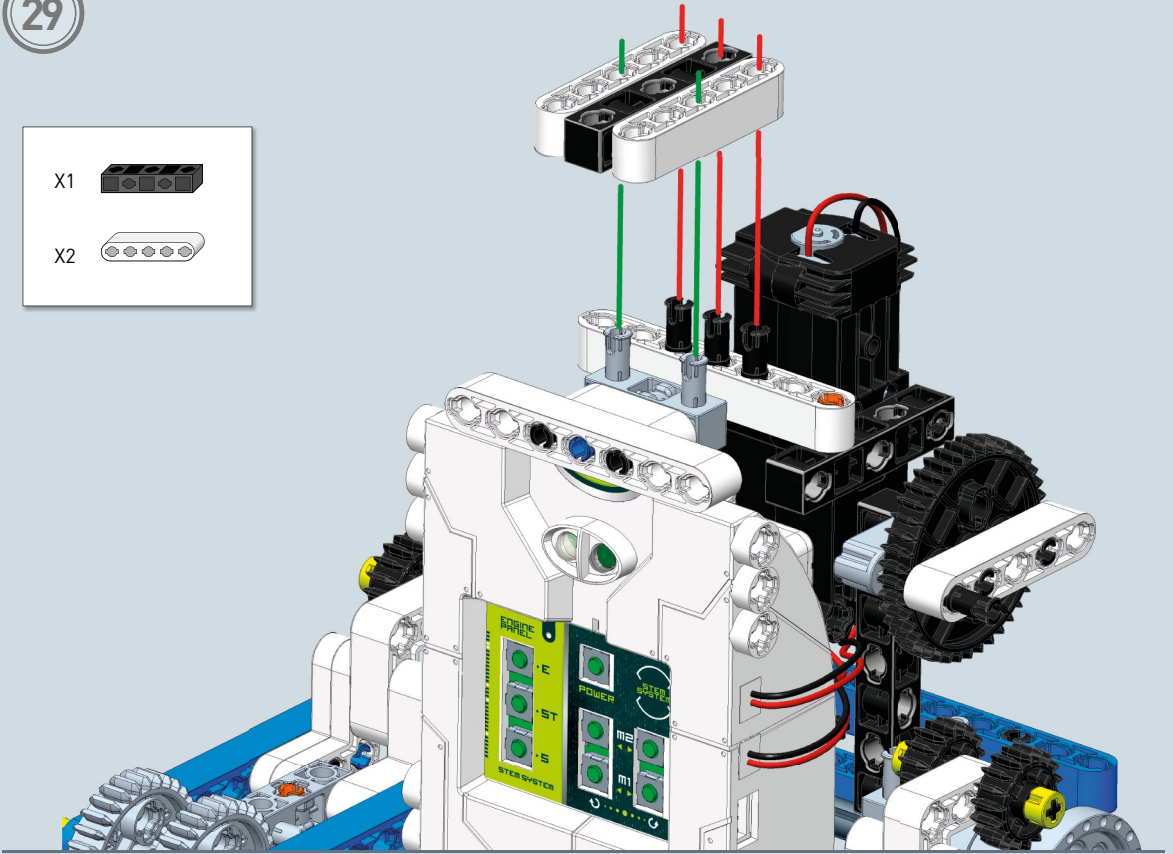
- | | | | | | |
|----|--|----|--|----|--|
| X1 | | X1 | | | |
| X1 | | X2 | | X1 | |

29

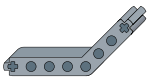
X1



X2



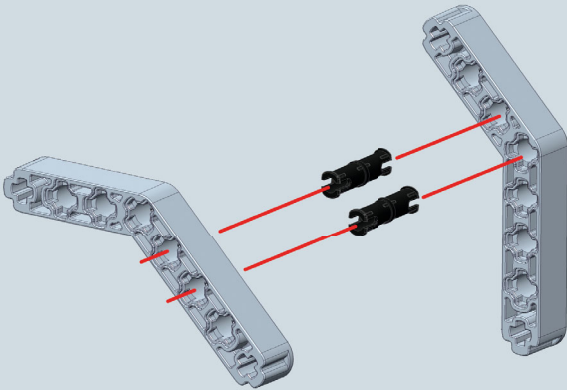
X2



X2

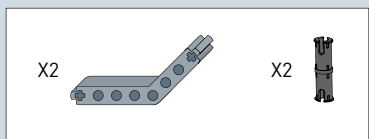
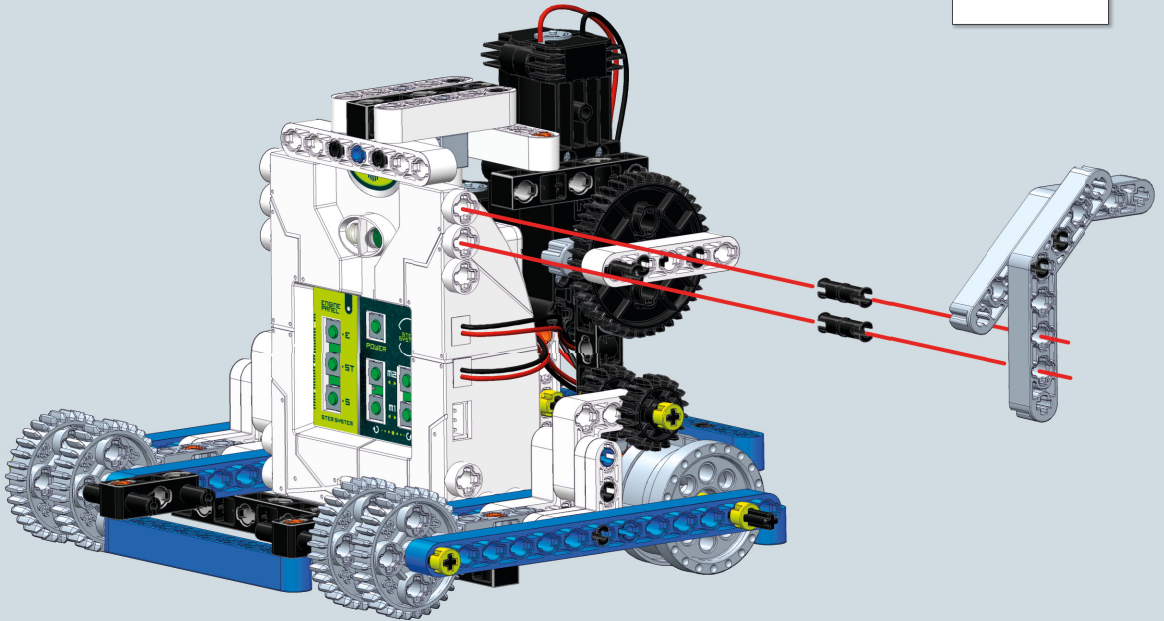
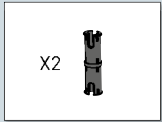


30

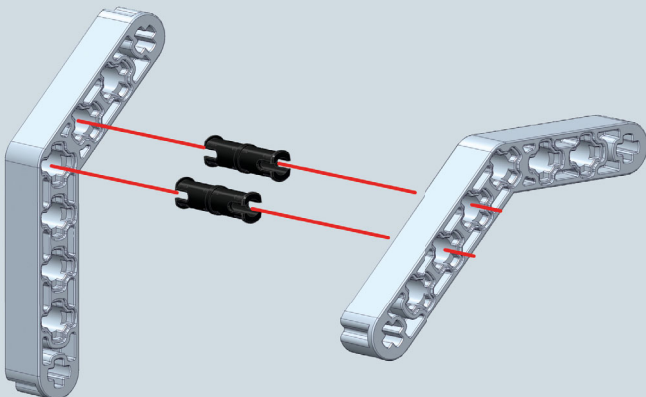


20

31

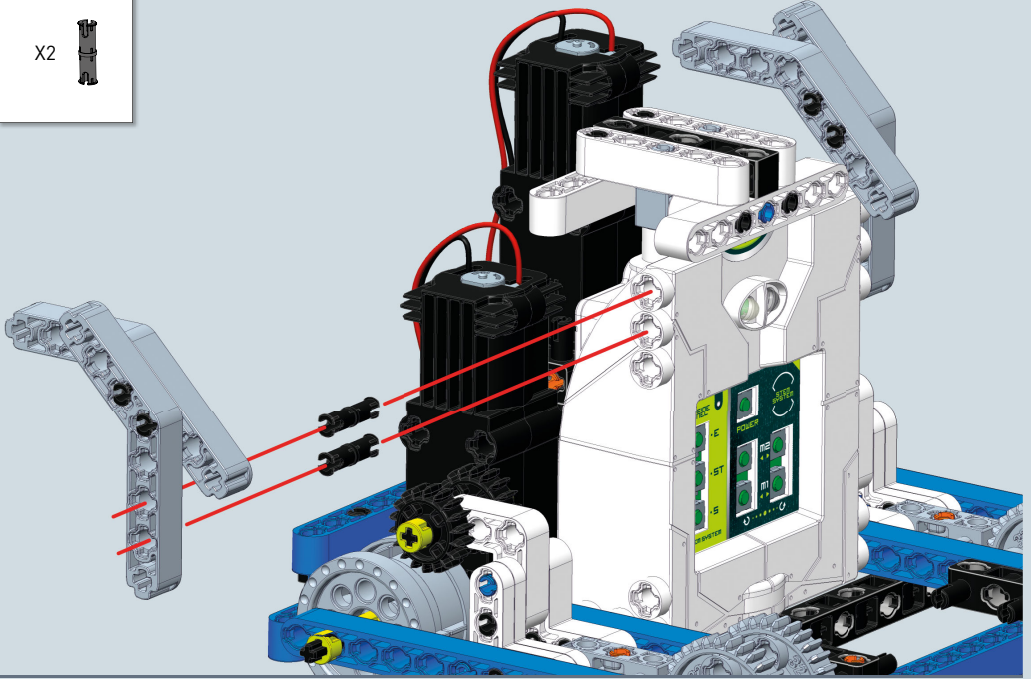
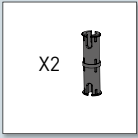


32

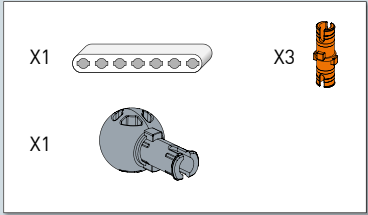


21

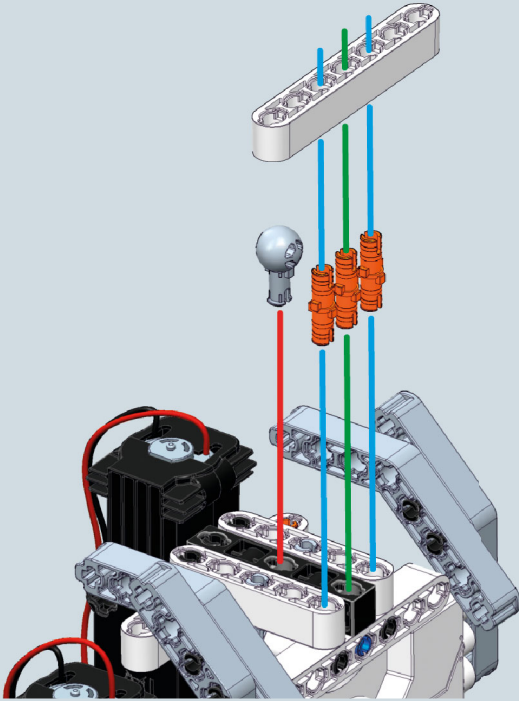
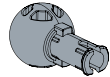
33





34

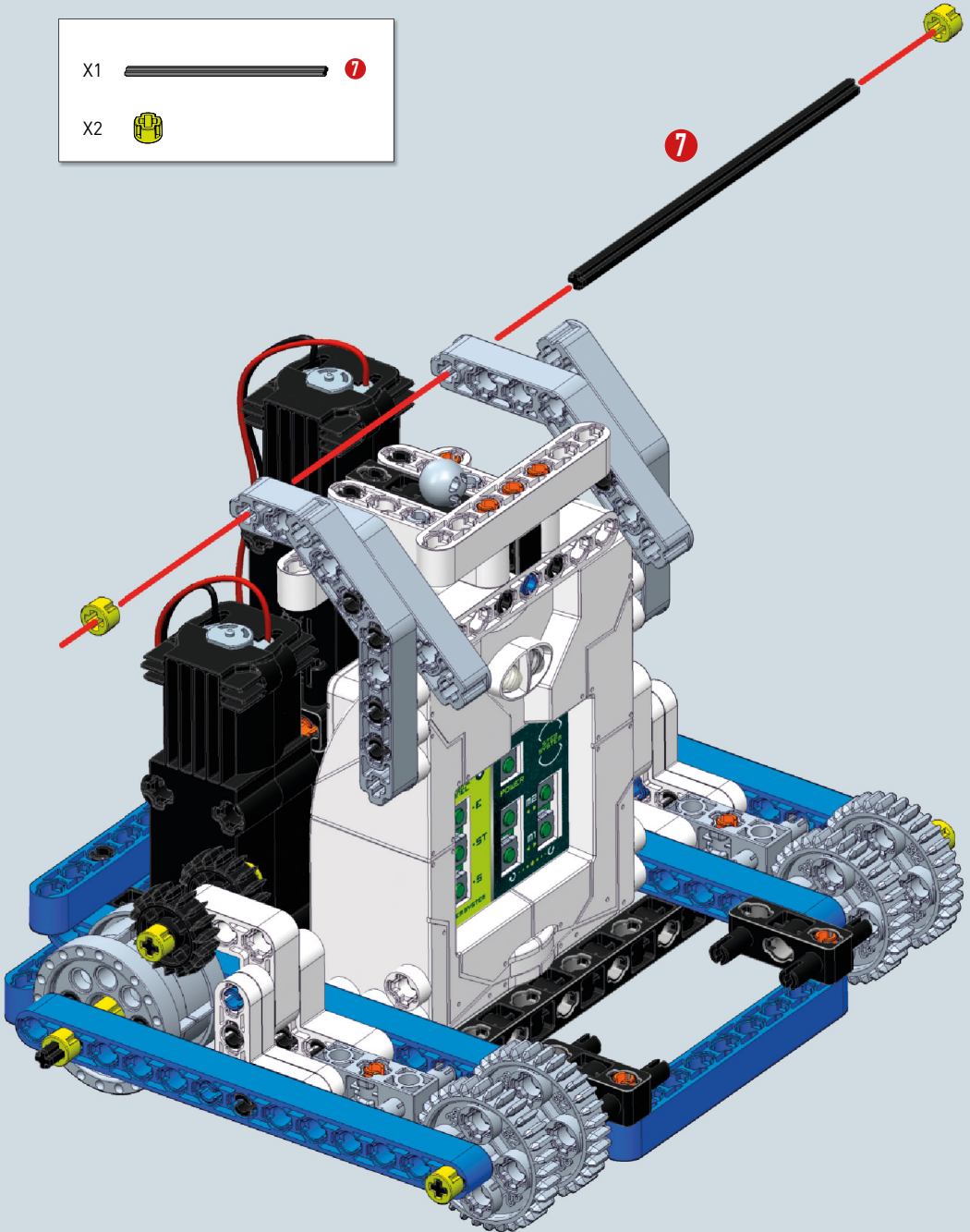


X1



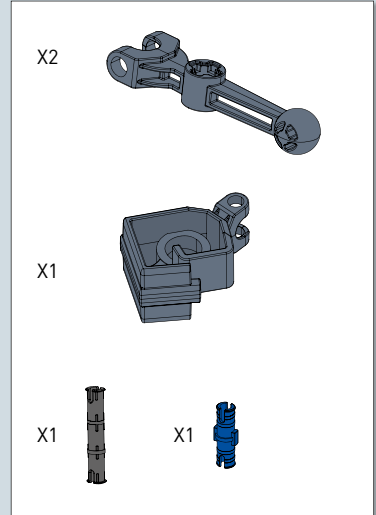
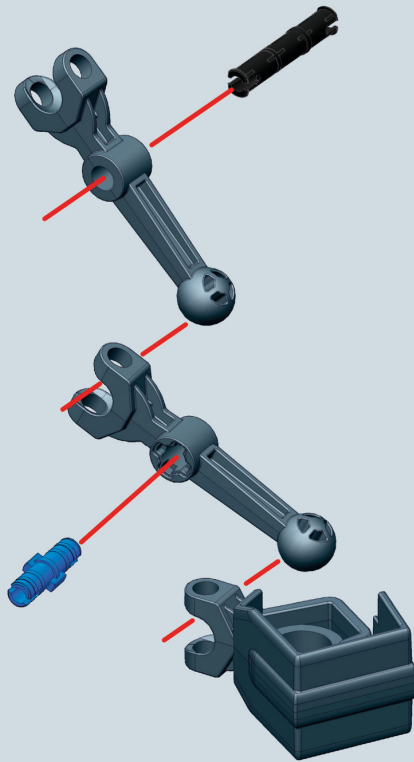
35

- X1  7
- X2 

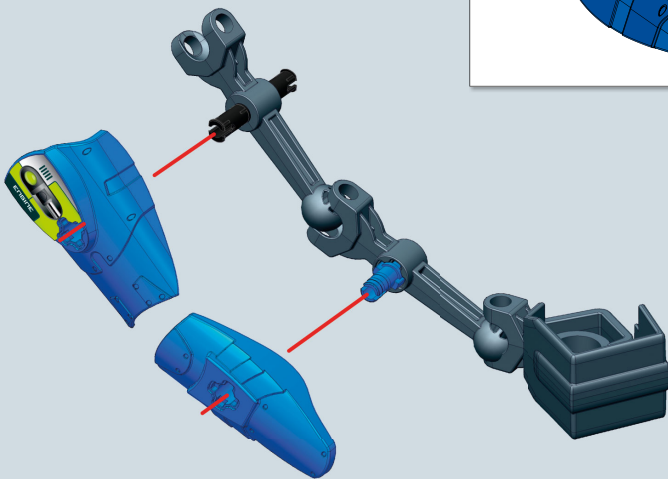
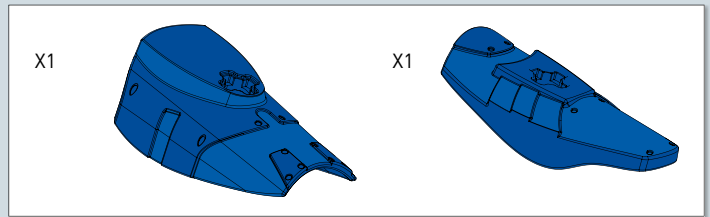


1:1  7 9,9 cm

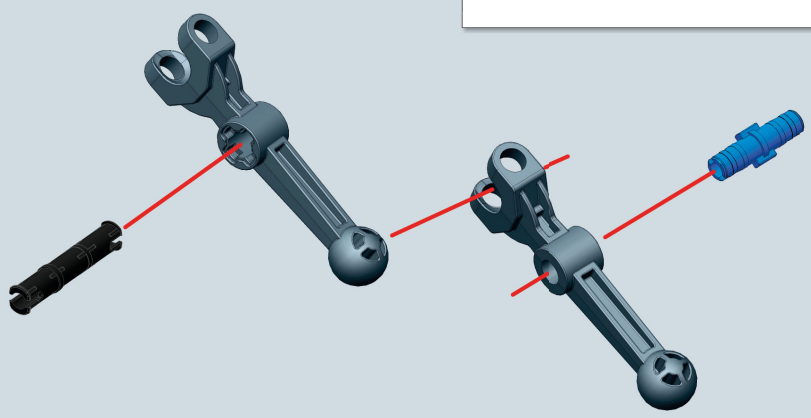
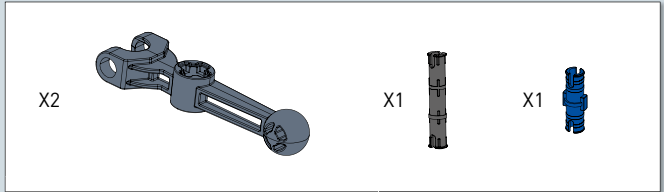
36



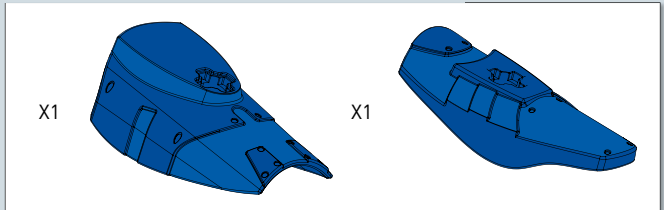
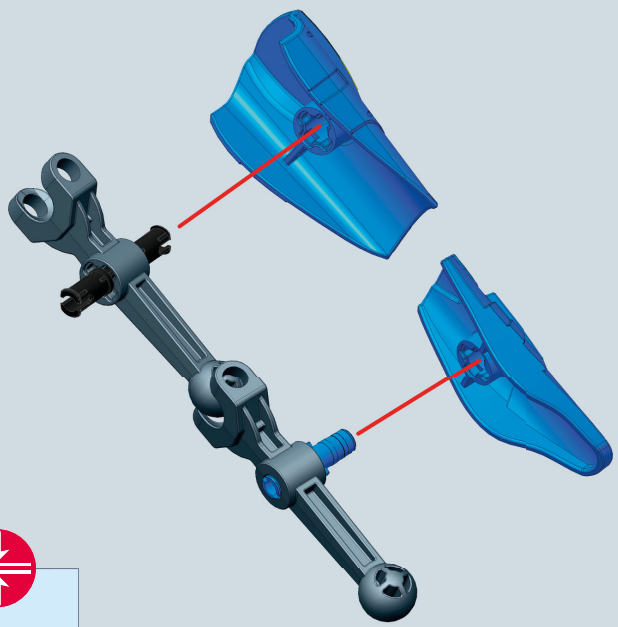
37



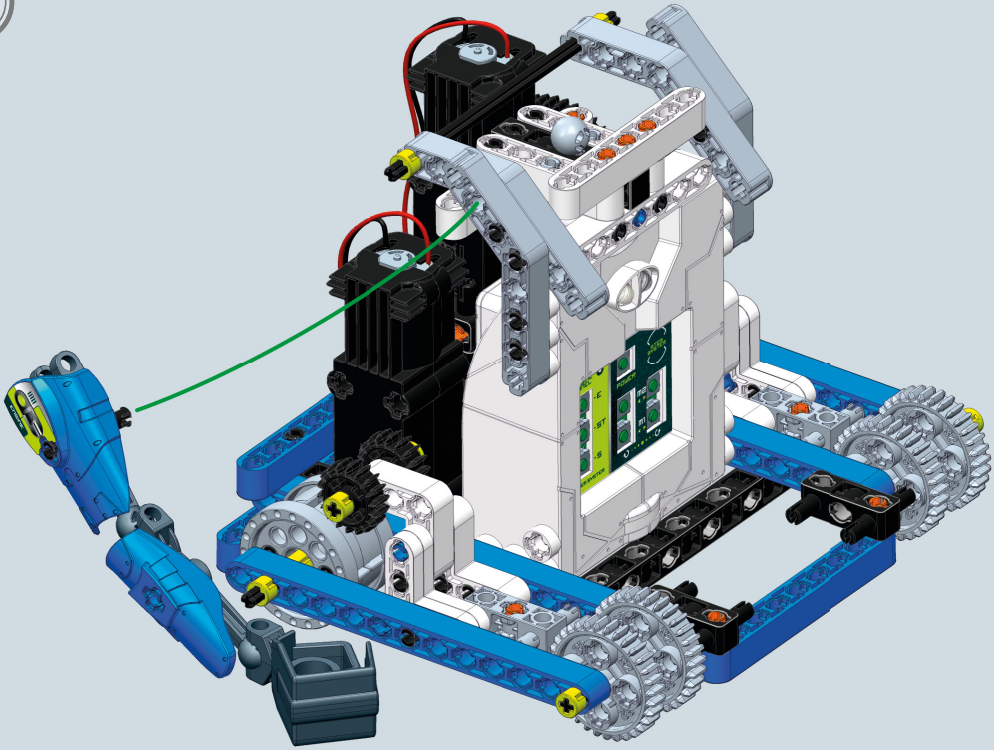
38



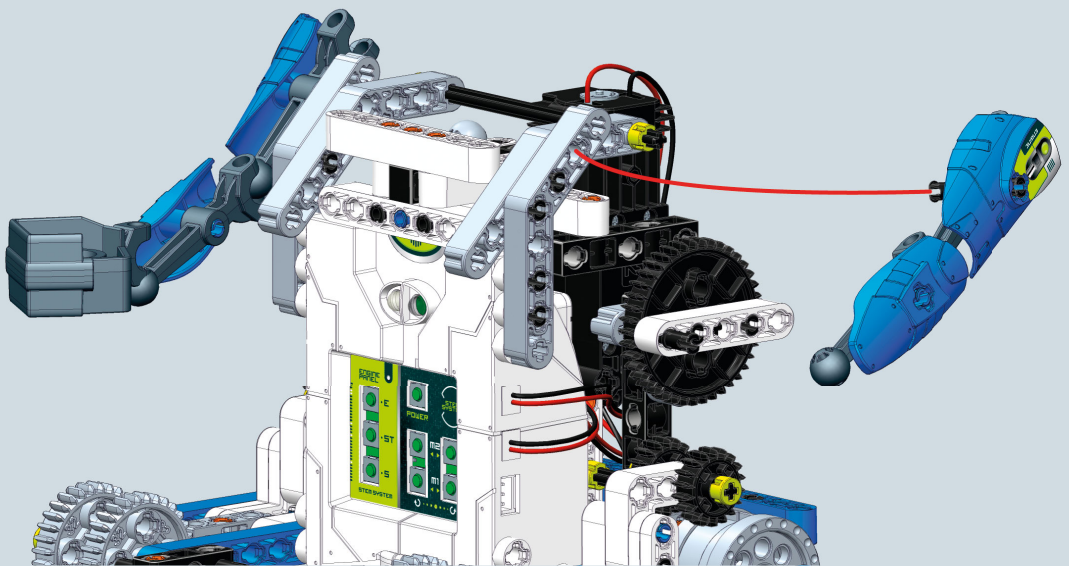
39



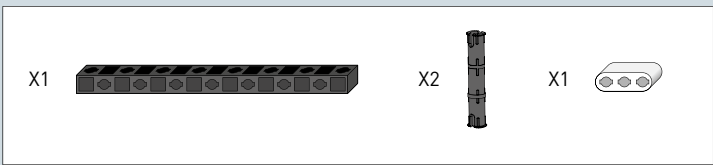
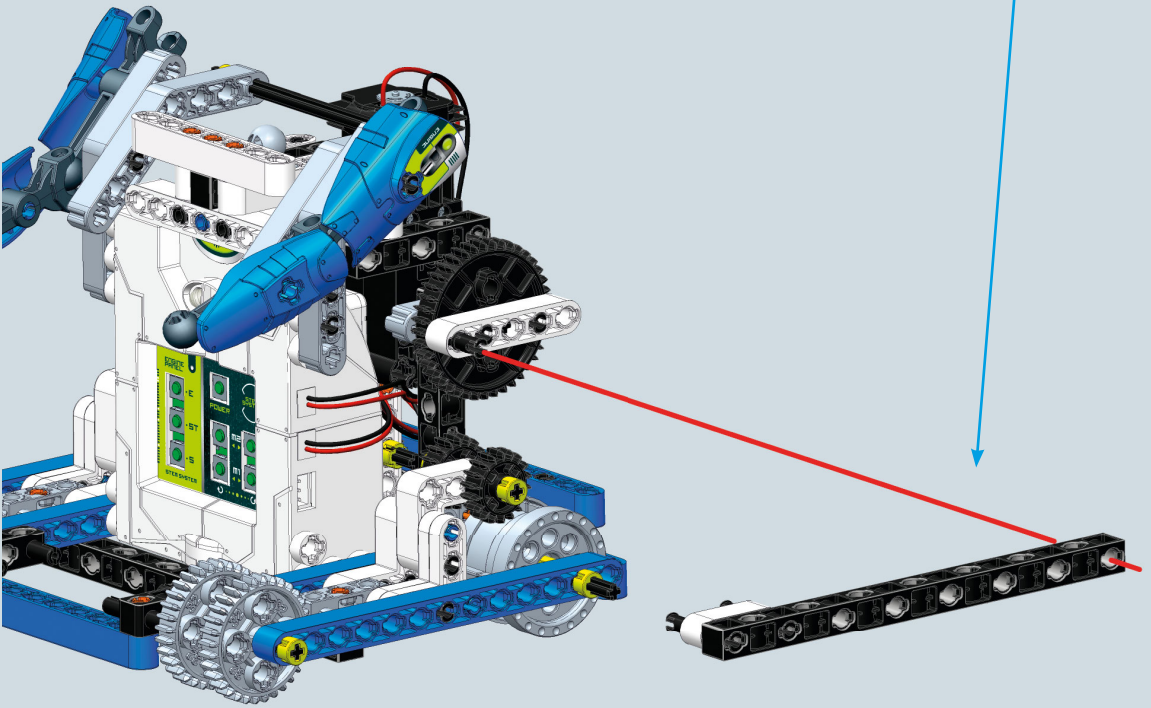
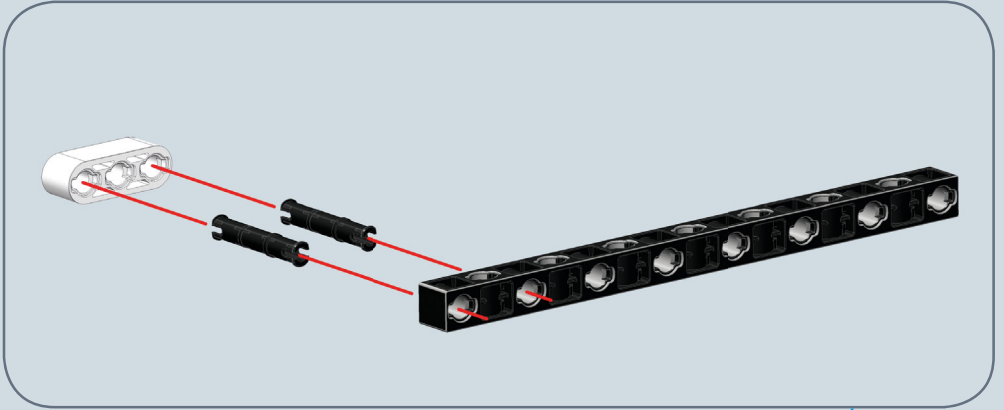
40



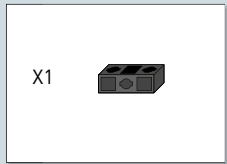
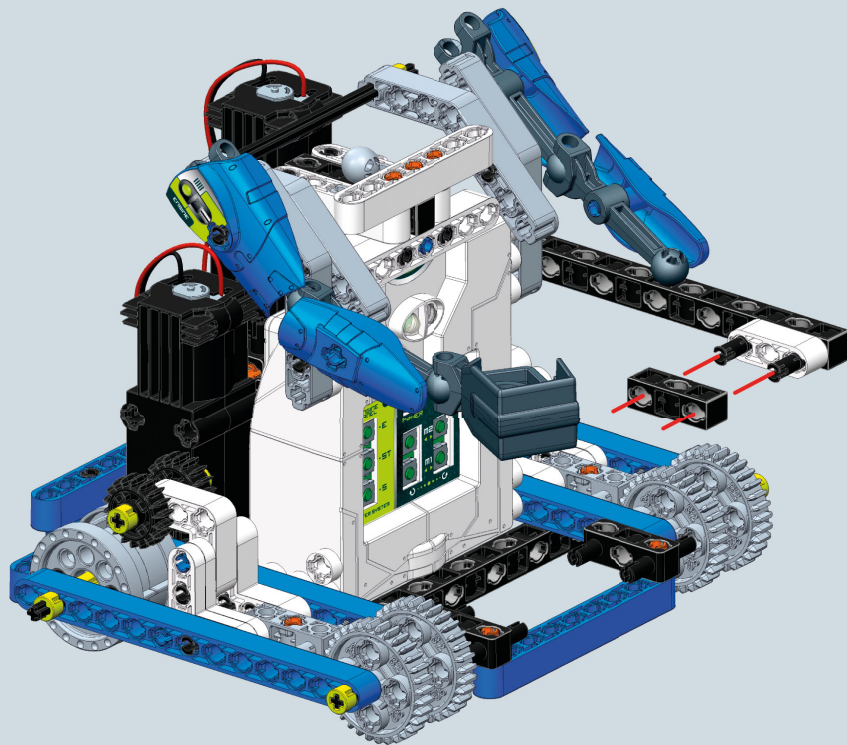
41



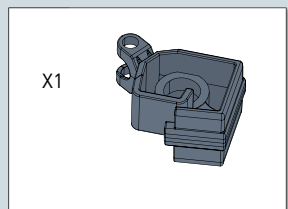
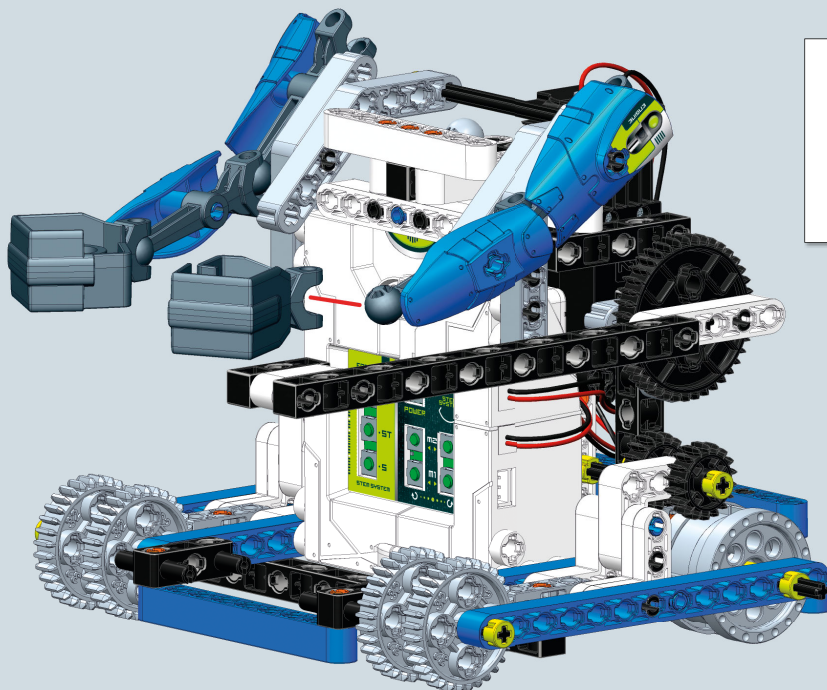
42



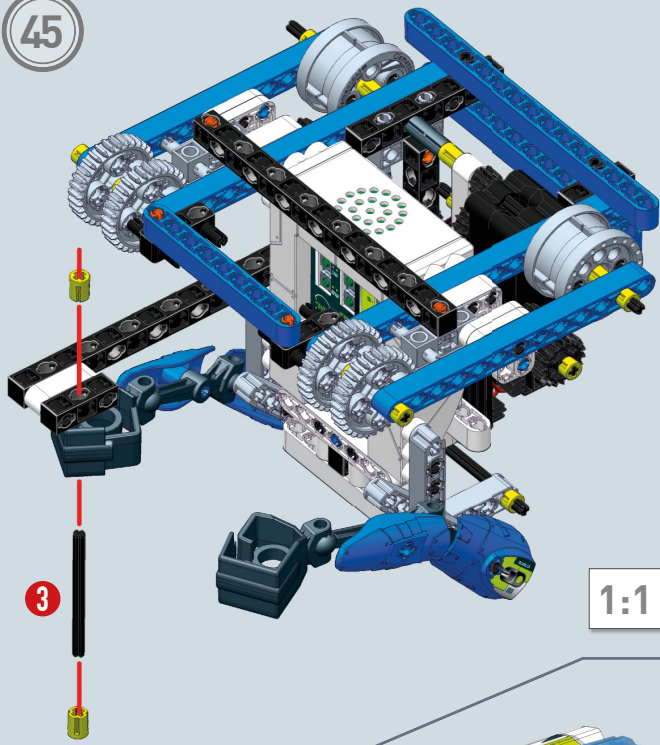
43




44



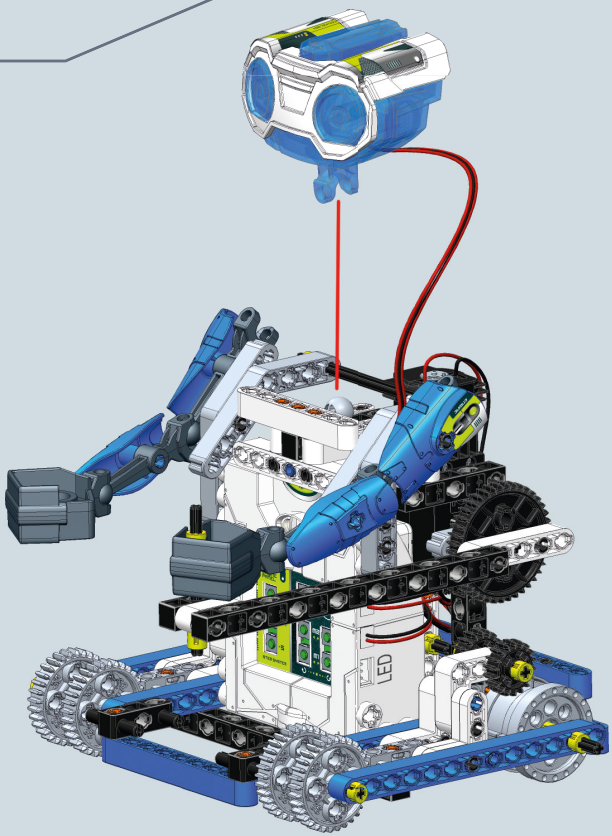
45

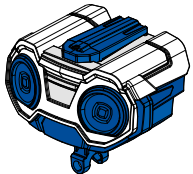


X1  3 X2 

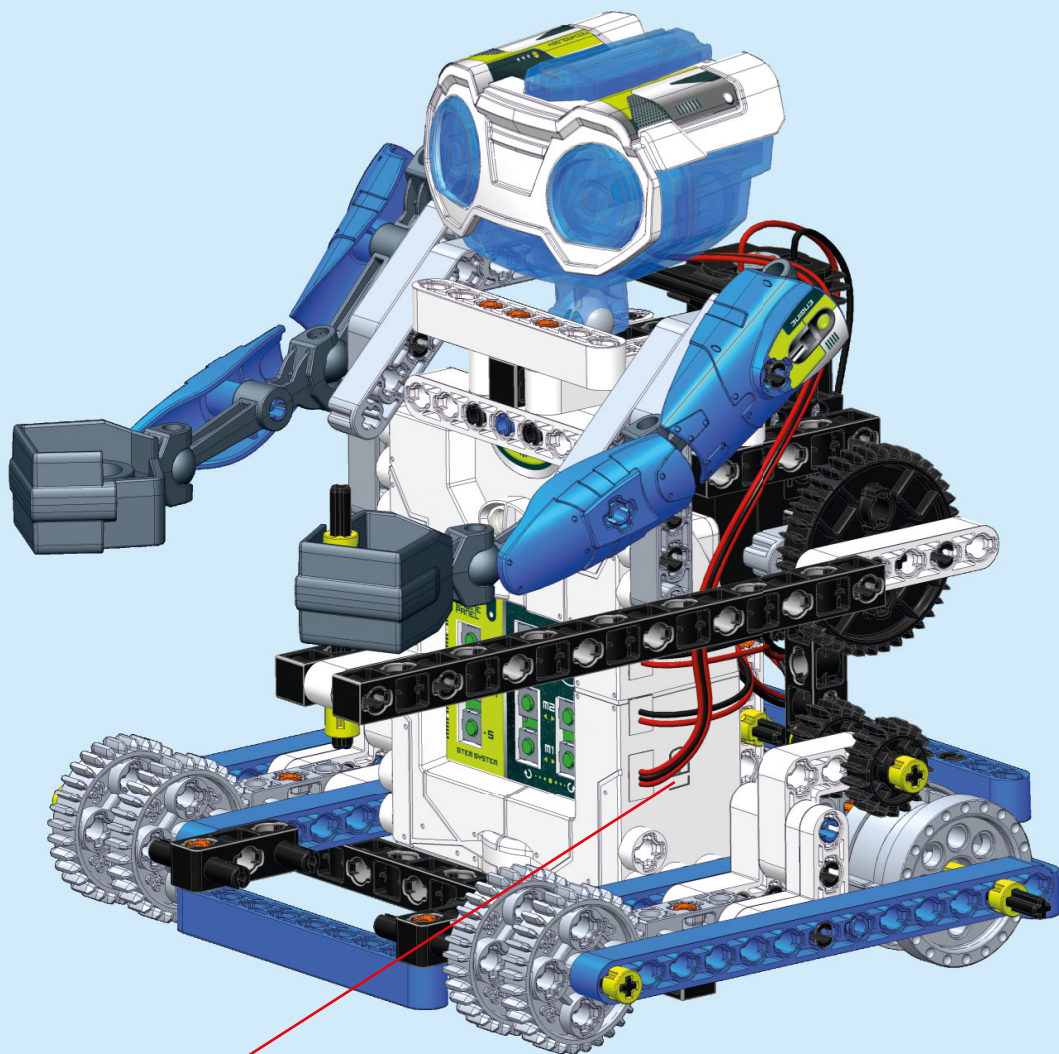
1:1  3 5,4 cm

46



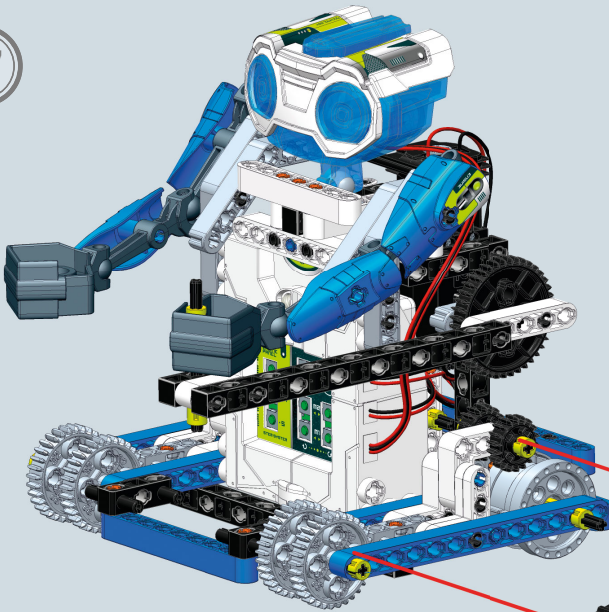
X1 

CONNECT!

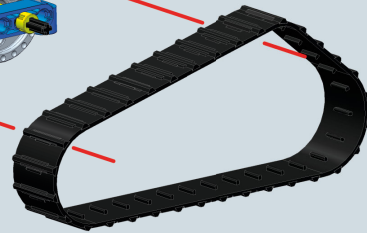
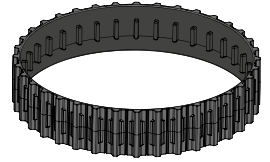


LED

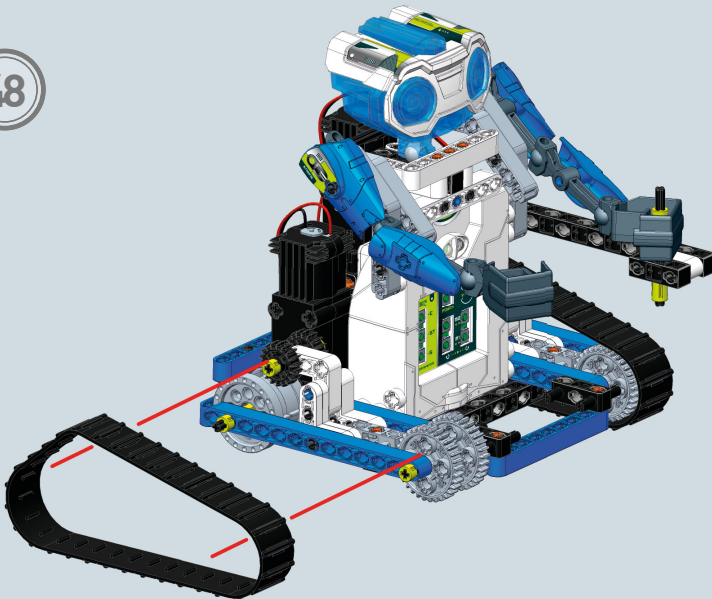
47



X1

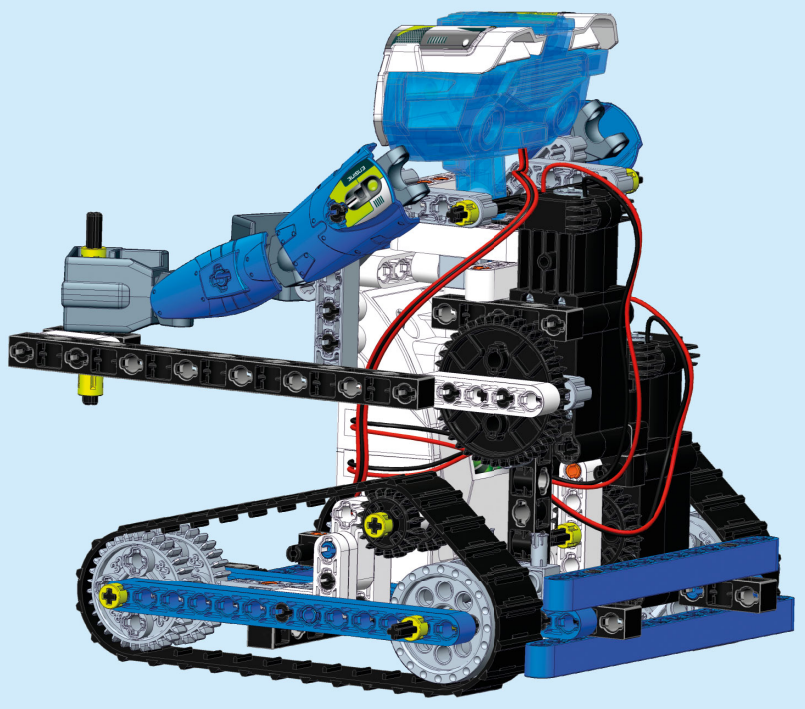


48



X1



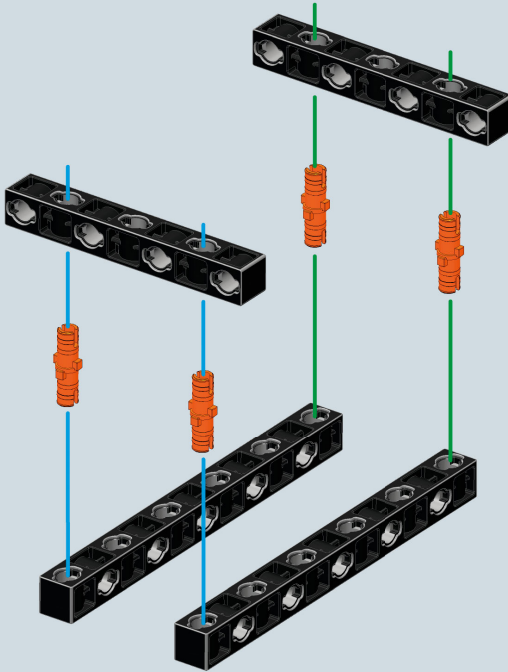


X1 - ELEVATOR

ACTIVITY 2



1

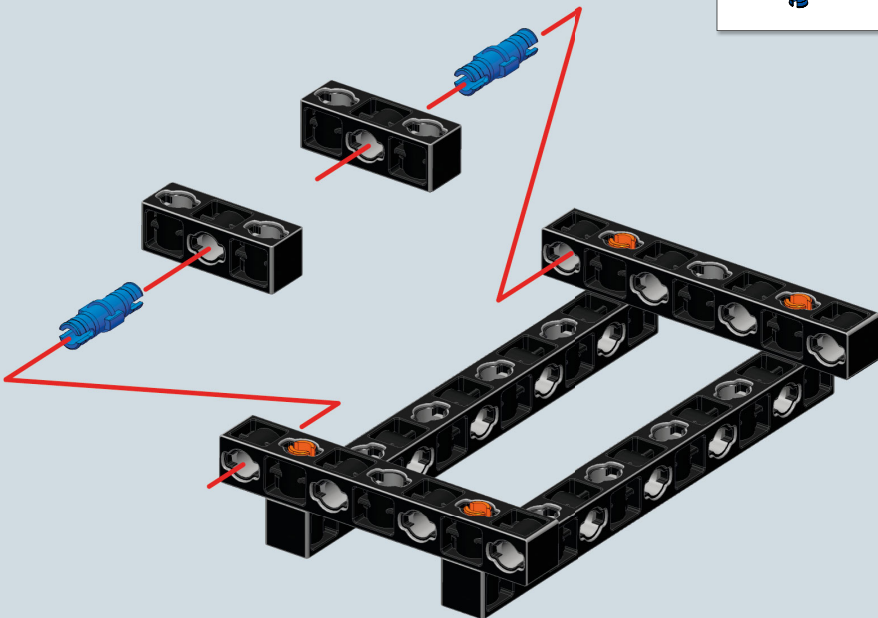


X2 

X2 

X4 

2

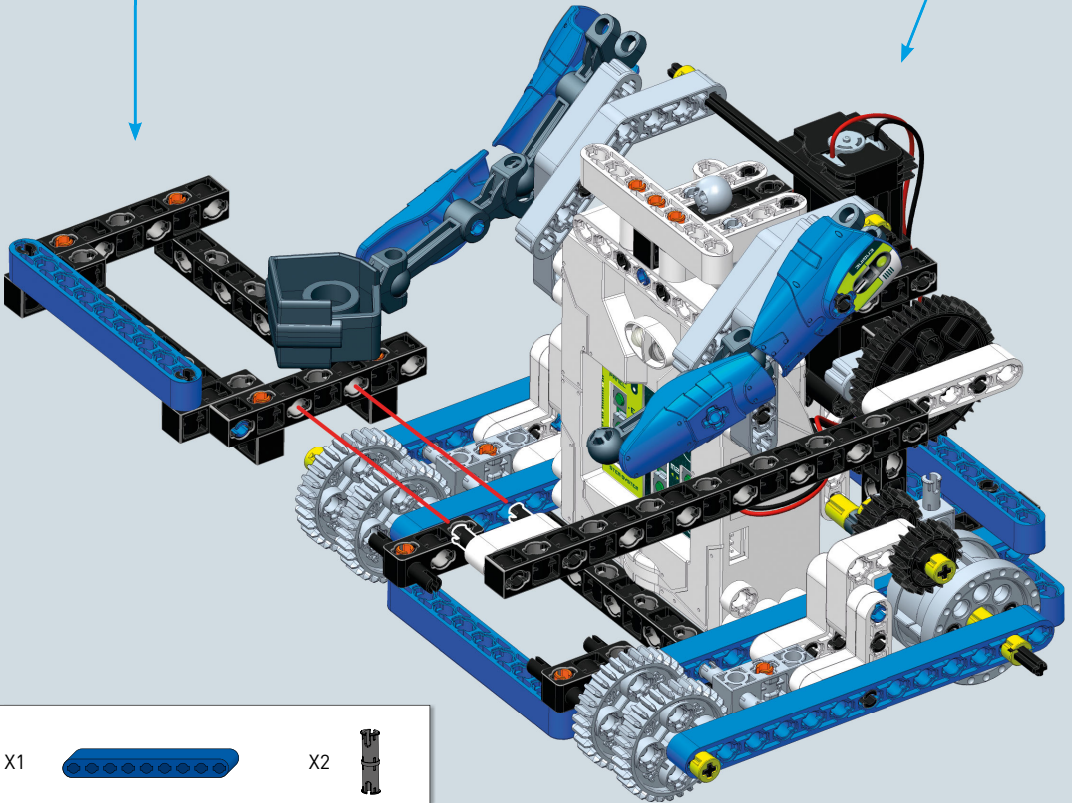
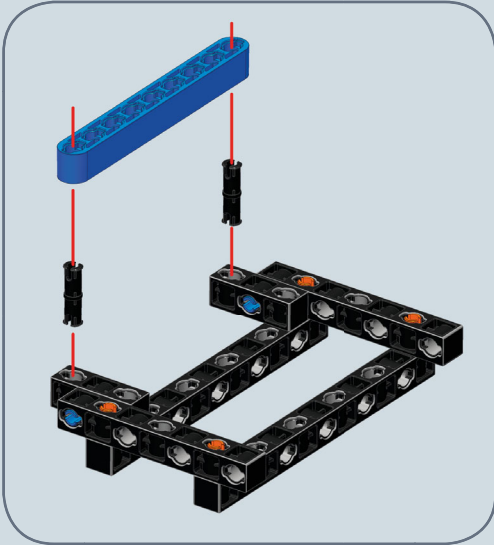




X2 

X2 

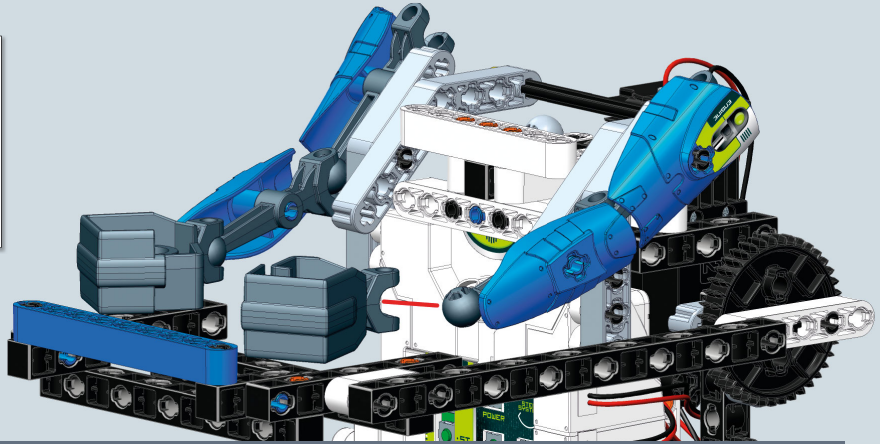
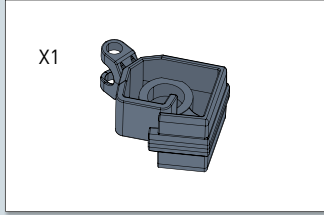
3

ACTIVITY 1 -STEP 44

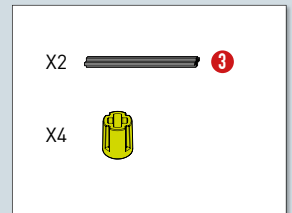
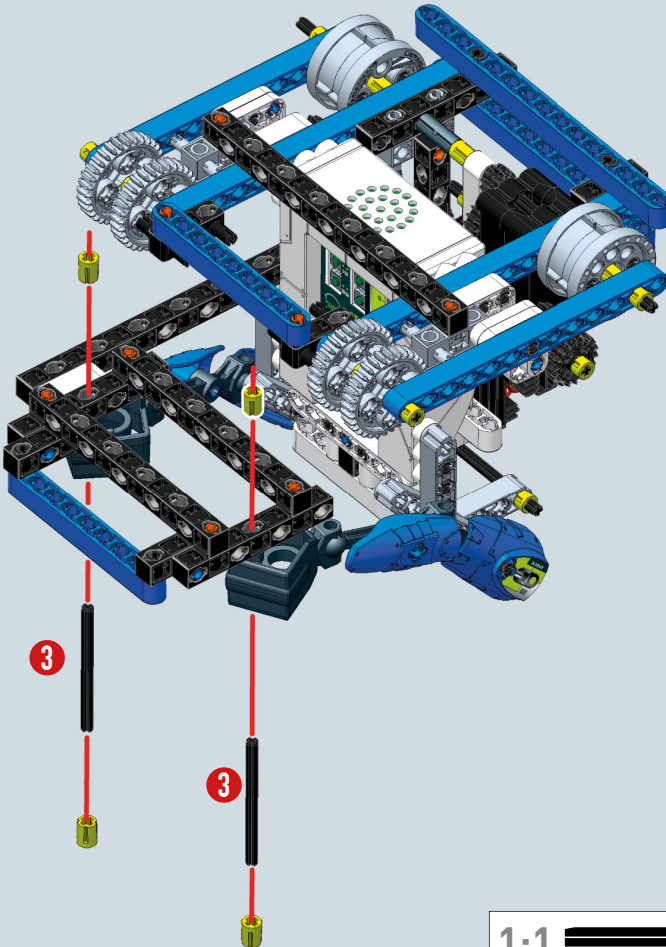


X1  X2 

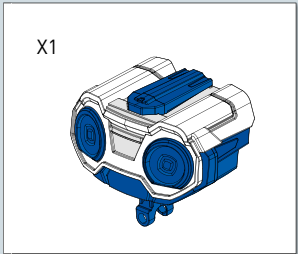
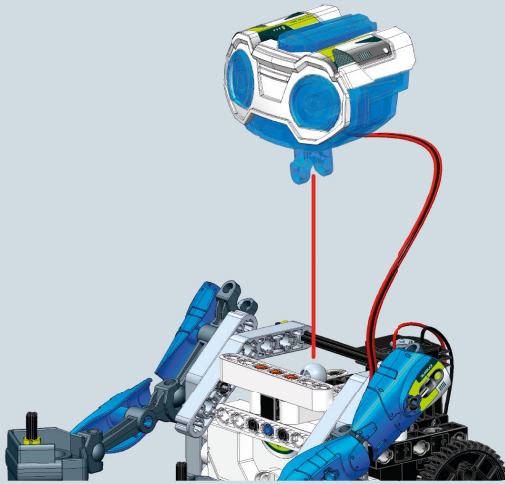
4



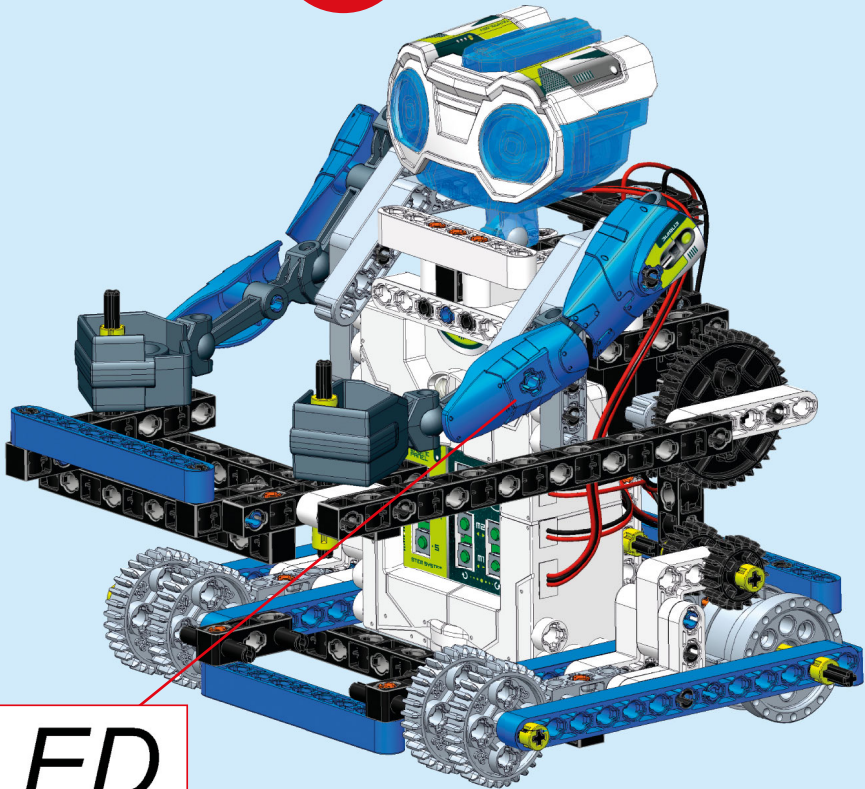
5



6

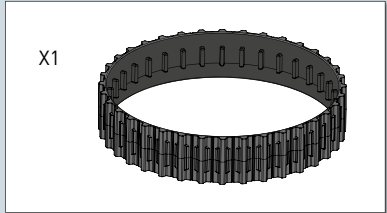
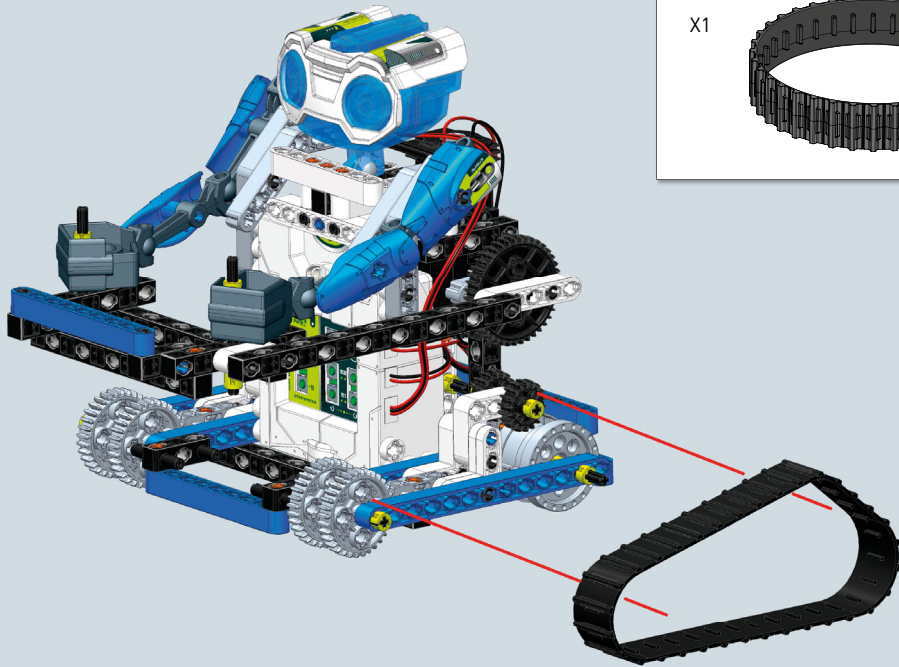


CONNECT!



LED

7



8

