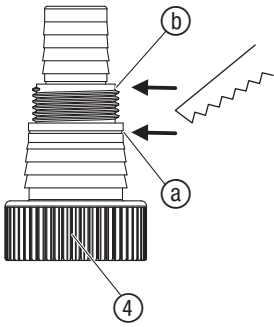
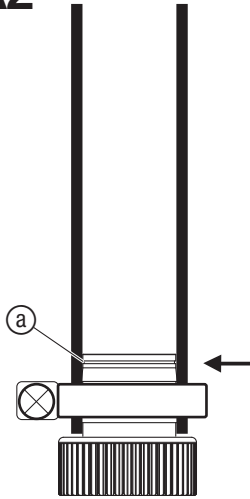
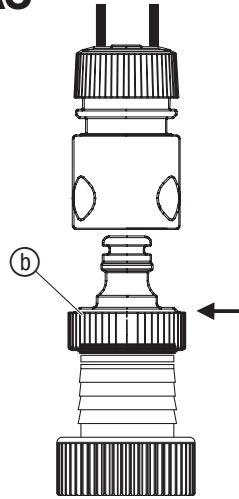
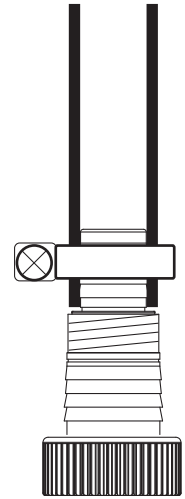
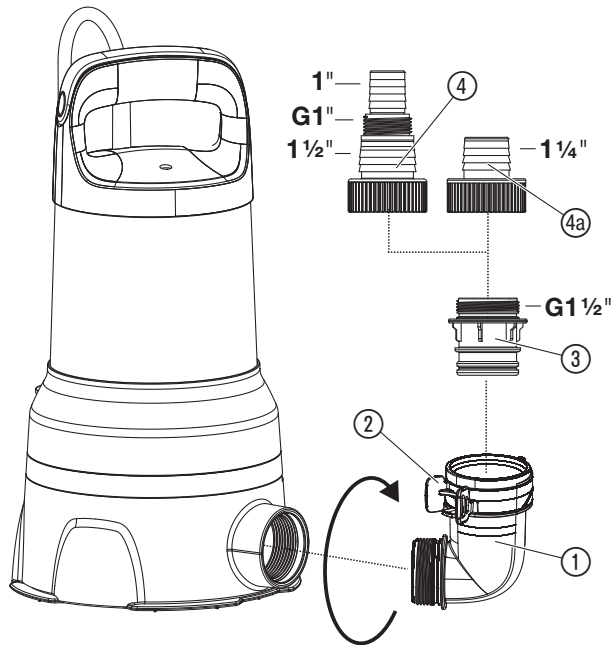
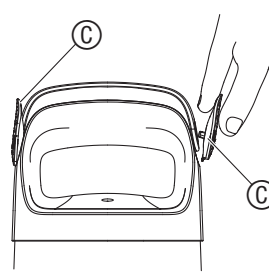
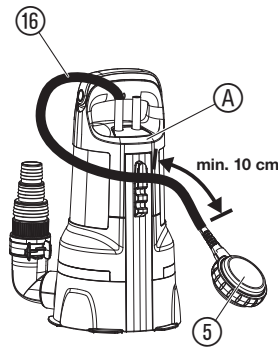
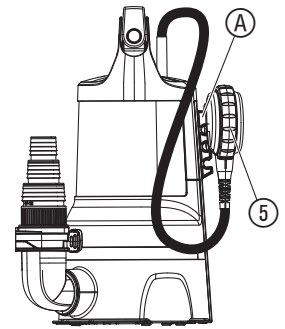
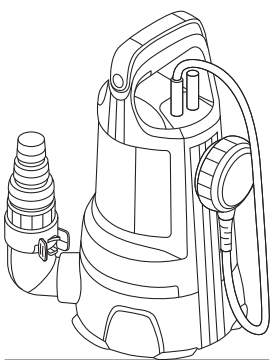
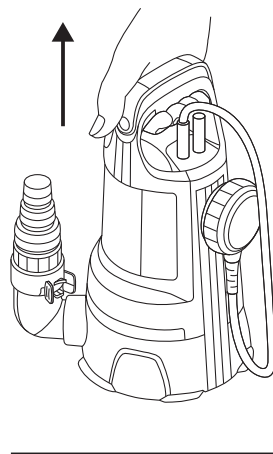
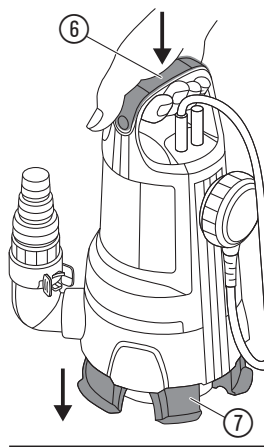
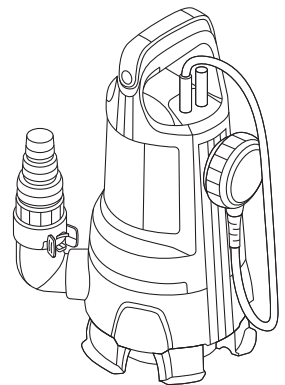


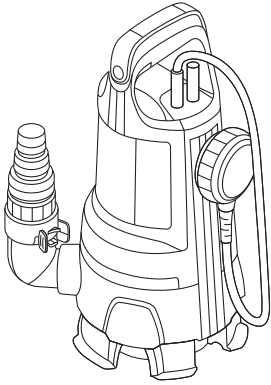
15000

Art. 9048

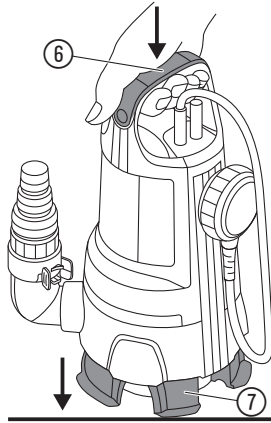
EN Operator's manual
Clear/Dirty Water Submersible Pump

A1**A2****A3****A4****A5****A6****O1****O2****O3****O4****O5****O6****O7**

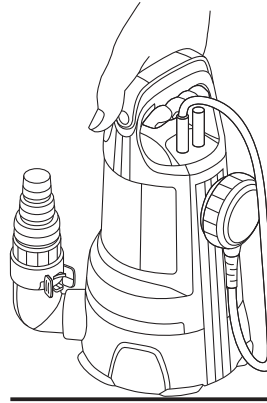
O8



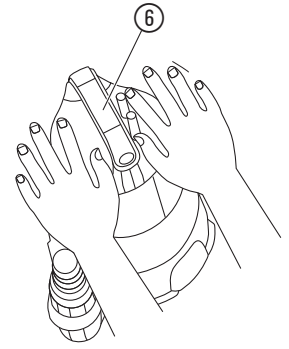
O9



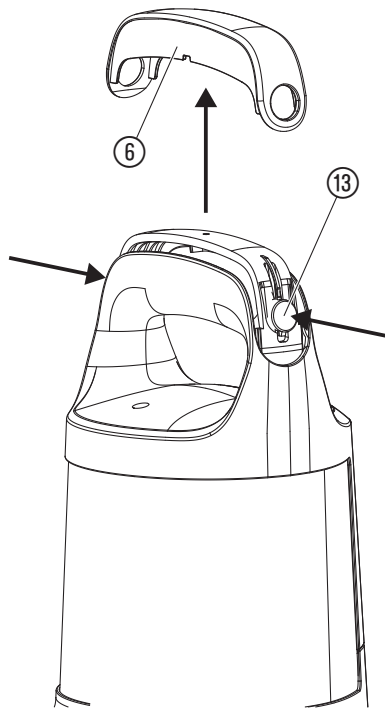
O10



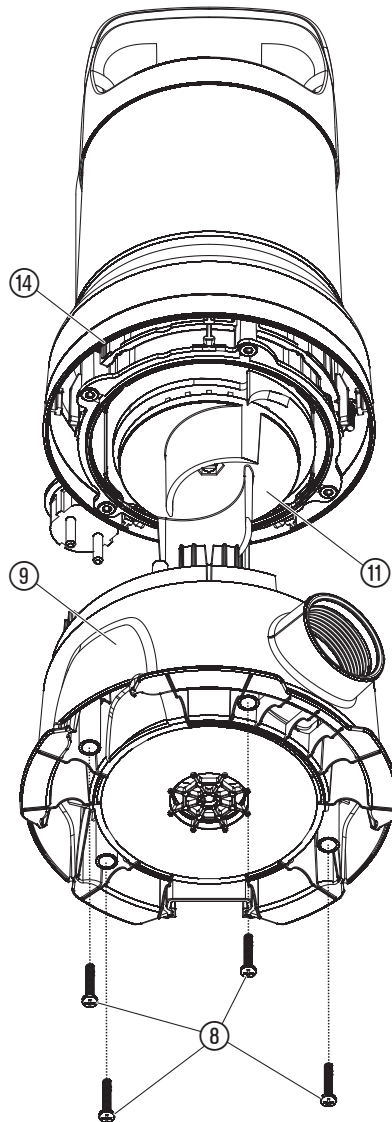
O11



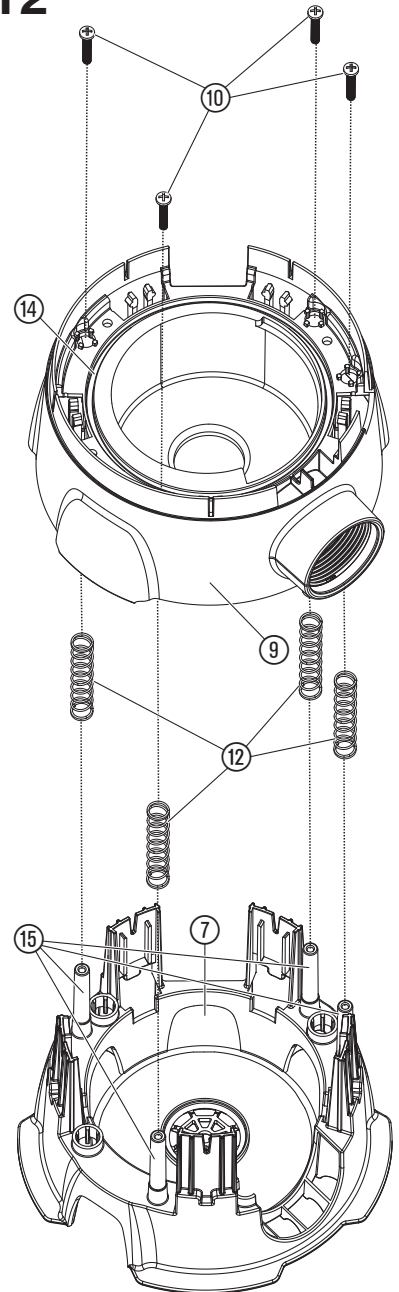
M1



T1



T2



pumping them out, for drawing water from wells and shafts, for draining boats and yachts and for aerating and circulating water for limited periods and for pumping water containing chlorine and detergents in private domestic gardens and allotments.

Liquids to be pumped:

The GARDENA Submersible Pump must only be used to pump water. The pump is fully submersible (water-tight encapsulation) and is submerged in water (for max. submersion depth see 7. TECHNICAL DATA). The product is suitable for pumping the following liquids:

- **Clear Water Setting:** clean to slightly dirty water with a max. particle size of 5 mm.
- **Dirty Water Setting:** clean to very dirty water with a max. particle size of 35 mm.

The product is not intended for long term use (continuous circulation operation).



DANGER! Risk of physical injury!

→ **The pump should not be used for the delivery of salt water, corrosive, easily inflammable or explosive liquids (e.g. petrol, paraffin, thinners), oil, heating oil or foodstuffs.**

1. SAFETY

Important! Read the operator's manual carefully before use and keep for future reference.

Symbols on the product:



Read operator's manual.

General safety warnings

Electrical safety



DANGER! Electric shock!

Risk of injury due to electric shock.

- **The product must be supplied through a residual current device (RCD) having a rated residual operating current not exceeding 30 mA.**
- **Contact GARDENA Service if the Residual Current Device (RCD) has triggered.**



DANGER! Risk of injury!

Risk of injury due to electric current.

- **Disconnect the product from the mains before you maintain or replace parts. Thereby the disconnected socket must be in the visual range.**

Safe operating practices

The water temperature should not exceed 35 °C.
 The pump must not be used when people are in the water.
 Pollution of the liquid could occur due to leakage of lubricants.
 Do not use below +3 °C ambient/ media temperature.
 Keep bystanders away from the water.
 Operate the pump only with the elbow connector.
 The hose end should be lower than the maximum delivery head.

Circuit breakers

Thermal protection switch:

In the event of an overload, the pump is switched off by the built-in thermal motor protection. After sufficient cooling of the motor, the pump is operational again.

Automatic venting

This pump is equipped with a vent valve which eliminates any air pockets in the pump. Depending on the function, a small amount of water can escape from the side of the housing.

Additional safety warnings

Electrical safety



DANGER! Cardiac arrest!

This product makes an electromagnetic field while it operates. This field may under some conditions interfere with active or passive medical implants. To decrease the risk of conditions that can possibly injure or kill, we recommend persons with medical implants to speak with their physician and the medical implant manufacturer before you operate the product.

EN Clear/Dirty Water Submersible Pump 15000

1. SAFETY	8
2. ASSEMBLY	9
3. OPERATION	9
4. MAINTENANCE	10
5. STORAGE	10
6. TROUBLESHOOTING	10
7. TECHNICAL DATA	11
8. ACCESSORIES	11
9. SERVICE/WARRANTY	11

Translation of the original instructions.



This product may be used under supervision, or if instruction regarding the safe use of the product has been provided and the resulting dangers have been understood, by children aged 8 and above, as well as by persons with physical, sensory or mental disabilities or a lack of experience and knowledge. Children must not be allowed to play with the product. Cleaning and user maintenance must not be performed by children without supervision. The use of this product by young people under the age of 16 is not recommended.

Intended use:

The **GARDENA Submersible Pump** is intended for drainage purposes if flooding occurs but also for transferring water to and from tanks and

Cables

If extension cables are used, these must comply with the minimum cross-sections in the table below:

Voltage	Cable length	Cross section
230 – 240 V/50 Hz	Up to 20 m	1.5 mm ²
230 – 240 V/50 Hz	20 – 50 m	2.5 mm ²



DANGER! Electric shock!

With a cut off mains plug, moisture can get into electrical parts via the mains cable and cause a short circuit.

→ **Never cut the mains plug off (e.g. to feed through wall).**

→ Don't use the power cable for plugging off.

→ If the supply cord is damaged, it must be replaced by the manufacturer, its service agent or similarly qualified persons in order to avoid a hazard.

Mains plug and extension connections must be protected from water splashes.

Ensure that the electrical connections for plugs and sockets are made in areas safe from flooding.

Protect the mains plug and the mains power cable from heat, oil and sharp edges.

Observe the mains voltage. The information on the nameplate must be in agreement with the data for the mains power grid.

The pump's mains plug must be disconnected before anybody enters the swimming pool or touching the surface of the water.

The mains power cable must not be used for fastening or transporting the pump.

For submerging or lifting/securing the pump, please use a fastening rope. Do not use the power cable to lift the pump.

Please regularly check the connecting line.

Before using, always subject the pump (especially the power cables and the power connections) to a visual inspection.

A pump which is damaged should not be used. In the event of damage, have the pump checked by GARDENA Service.

Assembly instructions: Retighten all screws by hand.

Before use after maintenance, make sure that all parts are screwed together.

When using our pumps with a generator, the warnings of the generator manufacturer must be observed.

Personal safety



DANGER! Risk of suffocation!

Small parts can be easily swallowed. There is also a risk that the poly-bag can suffocate toddlers. Keep toddlers away when you assemble the product.

Please be sure not to use the clear water function to pump dirty water. It can lead to blockage and overheating of the pump.

Observe the minimum water level in accordance with the characteristics given for the pump.

Allow the pump to run no longer than 10 minutes against a closed pressure side.

Sand and other abrasive substances cause increased wear and reduce the pump's output.

The float switch may only be operated outside the water.

The hose must not be disconnected during operation.

Allow the pump to cool down before troubleshooting.

Pump	Art. 9048
Small hose diameter	25 mm (1")
Art. GARDENA Hose Clamp	Art. 7193
Medium hose diameter	GARDENA Connection System G 1"
Art. GARDENA Hose Clamp	* 32 mm (1 1/4") Art. 7194
Large hose diameter	38 mm (1 1/2")
Art. GARDENA Hose Clamp	Art. 7195

When using the 38 mm (1 1/2") hose, we recommend the **GARDENA Flat Hose Set Art. 5005** with 10 m hose and hose clamp.

* There is an additional connection nipple ④ for 1 1/4" hoses is supplied.

To connect the hose via the connection nipple:

1. When using the large diameter hose, cut off the connection nipple ④ at ③.
2. Push the hose onto the connection nipple ④.
3. Fix the hose to the connection nipple ④ e.g. with a GARDENA Hose Clamp.

Connect hose via the GARDENA Connection System:

19 mm (3/4")/ 15 mm (5/8") and 13 mm (1/2") hoses can be connected via the GARDENA Connection System.

We do not recommend hose diameters smaller than 25 mm (1"), otherwise there will be a significant reduction in the output of the delivery rate.

Hose diameter	Pump connection	
13 mm (1/2")	GARDENA Pump Connection Set	Art. 1750
15 mm (5/8")	GARDENA Pump Connection Set	Art. 1750
19 mm (3/4")	GARDENA Pump Connection Set	Art. 1752

1. Cut off the connection nipple ④ at ⑥.
2. Connect the hose to the connection nipple ④ via the appropriate GARDENA Connection System.

To assemble the pump connection [Fig. A5]:



DANGER! Risk of physical injury!

Cut injury by the impeller.

→ **Operate the pump only with the elbow connector.**

The hose can be easily connected and disconnected using the locking devices ② on the elbow connector ①.

1. Screw the elbow connector ① clockwise into the pump until it stops. (If the hose is to be installed horizontally, the elbow connector ① can be screwed out again up to half a turn.)
2. Screw the connection piece ③ into the connection nipple ④.
3. Push the connection nipple ④ of the hose into the elbow connector ① until it stops and it engages audibly and visibly.
The hose is securely connected to the pump.

2. ASSEMBLY



DANGER! Risk of physical injury!

Injury when the product starts accidentally.

→ **Disconnect the product from the mains before you assemble the product.**

To remove the handle lock [Fig. A6]:

The handle lock ⑦ must be removed before the product is used for the first time.

1. Pull the attached handle locks ⑦ outwards.
2. Keep them for later securing procedures (e.g. transport or storage).

Connection possibilities of the connection nipple [Fig. A1]:

The hose can be connected via the connection nipple ④ with different hose diameters or the GARDENA Connection System.

Large hose diameter	Cut off nipple at ③ [Fig. A2]
GARDENA Connection System	Cut off nipple at ⑥ [Fig. A3]
Small hose diameter	Do not cut off nipple [Fig. A4]

When using the largest hose diameter, the pump has the maximum delivery capacity.

3. OPERATION



DANGER! Risk of physical injury!

Injury when the product starts accidentally.

→ **Disconnect the product from the mains before you connect, adjust or transport the product.**

To pump water:

If the pump cannot be immersed via the handle, the pump must always be immersed via a rope ⑧ [Fig. O1].

Attach the rope ⑧ by tying it to the handle. The button ⑥ must not be depressed. Minimum immersion depth during initial operation see 7. TECHNICAL DATA.

Take care that the pump is located where the inlet openings at the suction base are not obstructed neither completely nor partly.

Stand the pump on a brick if using in a pond.

If the suction process is close to the minimum water level at start-up, the suction process may take longer.

1. Immerse the pump.
2. Connect the pump to the mains.
Attention! The pump can start immediately depending on the float switch setting.

Automatic mode with float switch [Fig. O2]:

By adjusting the float switch ⑤ you have the possibility to determine the switching heights. For safe operation, the float switch must be able to move freely around the pump.

To adjust the Cut-in and Cut-out Height [Fig. O2]:

The maximum cut-in height and minimum cut-out height (see 7. TECHNICAL DATA) can be adjusted by pushing the float switch wire into the float switch lock.

- The higher the cable is clamped, the higher the cut-in and cut-out height.
- The shorter the length of cable between the float switch ⑤ and the float switch lock ④, the lower the cut-in height and the higher the cut-out height.

Cut-in and cut-out heights in mm:

	Without clamp		Upper clamp		Middle clamp		Lower clamp	
	Off	On	Off	On	Off	On	Off	On
Clear water	90	500	150	340	130	320	110	300
Dirty water	120	550	200	380	180	360	160	340

1. Push the cable of the float switch ⑥ into one of the openings of the float switch lock ④.
2. Check that the pump switches off automatically.



CAUTION!

In order to ensure that the float switch is able to switch on and off, the cable length between the float switch and the float switch lock must be at least 10 cm.

Manual operation [Fig. O3]:

The pump remains permanently in operation because the float switch is bypassed.

1. Slide the float switch ⑤ with the cable downwards onto the float switch locking device ④.
2. Place the pump on a firm surface.
3. Connect the pump to the mains.
Attention! The pump begins operating immediately.

The pump runs permanently without dry-running protection due to the bypassed float switch. To avoid damage due to dry running, only operate under supervision.

The minimum residual water depth (see 7. TECHNICAL DATA) is only achieved with the pedestal retracted in manual mode because the float switch already switches off the pump before this when in automatic mode.

To change the function mode:

The pump can be switched between clear water and dirty water. To do this, the pedestal is extended or retracted.

To extend the pedestal (dirty water) [Fig. O4 – O7]:

1. Take the pump out of the water [Fig. O4].
2. Lift up the pump and push the button ⑥ until the pedestal ⑦ is fully extended [Fig. O5].
3. If the pedestal does not extend completely, stand with your feet on the wings of the stand and pull the pump upwards [Fig. O6].
4. Release the button ⑥ again before you put the pump back down [Fig. O7].

The max. delivery rate is achieved with the pedestal extended.

The pedestal is correctly locked in position when the button is fully extended. If the button is not fully extended, repeat the process.

To retract the pedestal (clear water) [Fig. O8 – O11]:

1. Take the pump out of the water [Fig. O8].
2. Place the pump on a firm surface and push the button ⑥ [Fig. O9].
3. Push the pump down until the pedestal ⑦ is fully retracted and release the handle [Fig. O10].
4. To lock, push the pump down until the button ⑥ is fully extended again [Fig. O11].
5. When submerging the pump again, make sure that it is on a firm surface so that it cannot get stuck (e.g. foil).

The minimum residual water depth (see 7. TECHNICAL DATA) is only achieved with the pedestal retracted in manual mode.

For best possible suction, we recommend switching to clear water mode when the water level has reached the turquoise ring.

4. MAINTENANCE



DANGER! Risk of physical injury!

Injury when the product starts accidentally.

- Disconnect the product from the mains before you maintain the product.

To clean the pump:



DANGER! Risk of physical injury!

Risk of injury and risk of damage to the product.

- Do not clean the product with a water jet (in particular high-pressure water jet).
- Do not clean with chemicals including petrol or solvents. Some can destroy critical plastic parts.

- Clean the surface of the pump with a damp cloth.

To flush the pump:

After pumping water containing chlorine, detergents or heavily soiled water, the pump must be flushed.

1. Pump lukewarm water (max. 35 °C), possibly adding a mild cleaning agent (e.g. detergent) until the pumped water runs clear.
2. Flush the button if the water is very dirty.
3. Remove residuals according to the waste disposal laws applicable in your area.

To clean the button [Fig. M1]:

If the button gets stuck due to dirt, it can be cleaned.

1. Push in the two lockings ⑩.
2. Pull off the button ⑥.
3. Clean the button ⑥, the lockings ⑩ and the handle under running water.
4. Reassemble the button ⑥ in reverse order.

5. STORAGE

To put into storage:

The pump is not frost-proof!

The product must be stored away from children.

1. Disconnect the pump from the mains.
2. Turn the pump upside down until no more water runs out.
3. Clean the pump (see 4. MAINTENANCE).
4. Store the pump in a dry, enclosed and frost-free place.

Disposal:

(in accordance with RL2012/19/EC)



The product must not be disposed of to normal household waste. It must be disposed of in line with local environmental regulations.

IMPORTANT!

- Dispose of the product through or via your municipal recycling collection centre.

6. TROUBLESHOOTING



DANGER! Risk of physical injury!

Injury when the product starts accidentally.

- Disconnect the product from the mains before you troubleshoot the product.

To clean the pedestal and the impeller [Fig. T1/T2]:

If the pedestal cannot be changed according to the chapter 3. OPERATION To change the function mode, the pedestal must be cleaned.

1. Unscrew the 4 Phillips screws ⑧.
2. Pull the suction base ⑨ off the pump.
3. Unscrew the 4 Phillips screws ⑩.
4. Pull the pedestal ⑦ off the suction base ⑨.

5. Clean the pedestal ⑦, the suction base ⑨ and the impeller ⑪ (the warranty does not become void as a result of this maintenance work).
6. Clean the sealings ⑭ carefully to avoid damage and leakage.
7. Reassemble the pedestal ⑦ and the suction base ⑨ in reverse order. Make sure that the 4 springs ⑫ are fitted on the domes ⑬ of the pedestal ⑦.

A damaged seal must be replaced.

For safety reasons a damaged impeller can only be exchanged by the GARDENA Service Centre.

Problem	Possible Cause	Remedy
Pump is running, but doesn't deliver water	Air cannot escape, because the pressure line is closed. (Possible kink in the pressure hose.)	→ Open the pressure line (e.g. shut-off valve, delivery units).
	Air in suction foot.	→ Wait for about 3 minutes until the pump has vented; if necessary, turn off and then on again.
	Suction opening is clogged.	→ Clean the suction opening with a water jet.
	Hose is clogged.	→ Remove the clog from the hose.
	Impeller is blocked.	→ Clean the pedestal and the impeller.
Pump does not start or stops suddenly during operation	Water level below minimum water level when put into operation.	→ Submerge the pump deeper.
	Thermal switch has turned the pump off because of over-heating.	→ Clean the suction opening. Observe the max. media temperature (35 °C).
	Pumping without electricity.	→ Check fuses and electrical plug connections.
	RCD has triggered (residual current).	→ Disconnect the pump and contact the GARDENA Service.
Pump is running but the delivery drops suddenly	Suction opening is clogged.	→ Clean the suction opening with a water jet.
	The pump sucks to the ground (e.g. foil).	→ Place the pump on a suitable hard ground.
	Hose is clogged.	→ Remove the clog from the hose.
Pedestal is not correctly locked in position. Pedestal is stuck	Pedestal is dirty.	→ Clean the pedestal and the impeller.
Button is stuck	Button is dirty.	→ Clean the button.



NOTE: For any other malfunctions please contact the GARDENA service department. Repairs must only be done by GARDENA service departments or specialist dealers approved by GARDENA.

7. TECHNICAL DATA

Submersible Pump	Unit	Value (Art. 9048)
Rated power	W	550
Mains voltage	V (AC)	230
Mains frequency	Hz	50
Max. delivery capacity	l/h	15,000
Max. pressure / Max. delivery head	bar / m	0.7 / 7.0
Max. submersion depth	m	7
Min. cut-in height clear water / dirty water (approx.)	mm	300 / 340
Max. cut-in height clear water / dirty water (approx.)	mm	500 / 550
Min. cut-out height clear water / dirty water (approx.)	mm	90 / 120
Max. cut-out height clear water / dirty water (approx.)	mm	150 / 200

Submersible Pump	Unit	Value (Art. 9048)
Residual water level clear water / dirty water (approx.)	mm	1 / 35
Dirty water with max. particle diameter clear water / dirty water	mm	5 / 35
Minimum water depth for operation clear water / dirty water (approx.)	mm	10 / 45
Power cable	m	10 (H05RN-F)
Weight without cable (approx.)	kg	4.9
Connection thread water outlet	Inch	G 1 1/2"
Connection options	mm / (Inch)	25 mm (1")
		32 mm (1 1/4")
		38 mm (1 1/2")
		33,3 mm G 1"
Max. media temperature	°C	35

Note: The switch on/switch-off heights and the minimum water level on start-up were calculated without the height differences to be negotiated. Pump heads of approx. 1 m or more may result in longer suction times of up to 1 minute, or higher minimum water levels of up to + 5 cm.

8. ACCESSORIES

GARDENA Flat Hose Set	10 m 38 mm (1 1/2") hose with hose clamp.	Art. 5005
GARDENA Hose Clamp	For 25 mm (1") hoses via the connection nipple.	Art. 7193
GARDENA Hose Clamp	For 32 mm (1 1/4") hoses via the connection nipple.	Art. 7194
GARDENA Hose Clamp	For 38 mm (1 1/2") hoses via the connection nipple.	Art. 7195
GARDENA Pump Connection Set	For 19 mm (3/4") hoses via the GARDENA Connection System.	Art. 1752

9. SERVICE/WARRANTY

Service:

Please contact the address on the back page.

Warranty statement:

In the event of a warranty claim, no charge is levied to you for the services provided.

GARDENA Manufacturing GmbH grants a warranty for all original GARDENA new products for two years from the date of original purchase from the retailer, provided that the devices have been for private use only. This manufacturer's warranty does not apply to products acquired second hand. This warranty includes all significant defects of the product that can be proved to be material or manufacturing faults. This warranty is fulfilled by supplying a fully functional replacement product or by repairing the faulty product sent to us free of charge; we reserve the right to choose between these options. This service is subject to the following provisions:

- The product has been used for its intended purpose as per the recommendations in the operating instructions.
- Neither the purchaser nor a third party has attempted to open or repair the product.
- Only Original GARDENA replacement parts and wear parts have been used for operation.
- Presentation of the receipt.

Normal wear and tear of parts and components (such as blades, blade fixing parts, turbines, light bulbs, V-belts/toothed belts, impellers, air filters, spark plugs), visual changes, wear parts and consumables are excluded from the warranty.

This manufacturer's warranty is limited to replacement and repair of products in accordance with the abovementioned conditions. The manufacturer's warranty does not constitute an entitlement to lodge Other claims against us as a manufacturer, such as for damages. This manufacturer's warranty does **not**, of course, affect statutory and contractual warranty claims against the dealer/retailer.

The manufacturer's warranty is governed by the law of the Federal Republic of Germany.

In case of a warranty claim, please return the faulty product, together with a copy of the receipt and a description of the fault, with postage paid to the service address.

Consumables:

The impeller is a consumable and is not included in the warranty.

Pumpen-Kennlinien
 Performance characteristics
 Courbes de performance
 Prestatiegrafiek
 Kapacitetskurva
 Ydelses karakteristika
 Pumpun ominaiskäyrä
 Pumpekarakteristikk
 Curva di rendimento
 Curva característica de la bomba

Características de performance
 Charakterystyka pompy
 Szivattyú-jelleggörbe
 Charakteristika čerpadla
 Charakteristiky čerpadla
 Χαρακτηριστικό διάγραμμα
 Характеристика насоса
 Karakteristika črpalka
 Obilježja pumpe
 Karakteristika pumpe

Κριβα χαρακτηριστικι насоса
 Caracteristică pompă
 Pompa karakter eğrisi
 Помпена характеристика
 Fuqja e pompës
 Pumba karakteristik
 Siurblio charakteristinė kreivė
 Sūkņa raksturlīkne

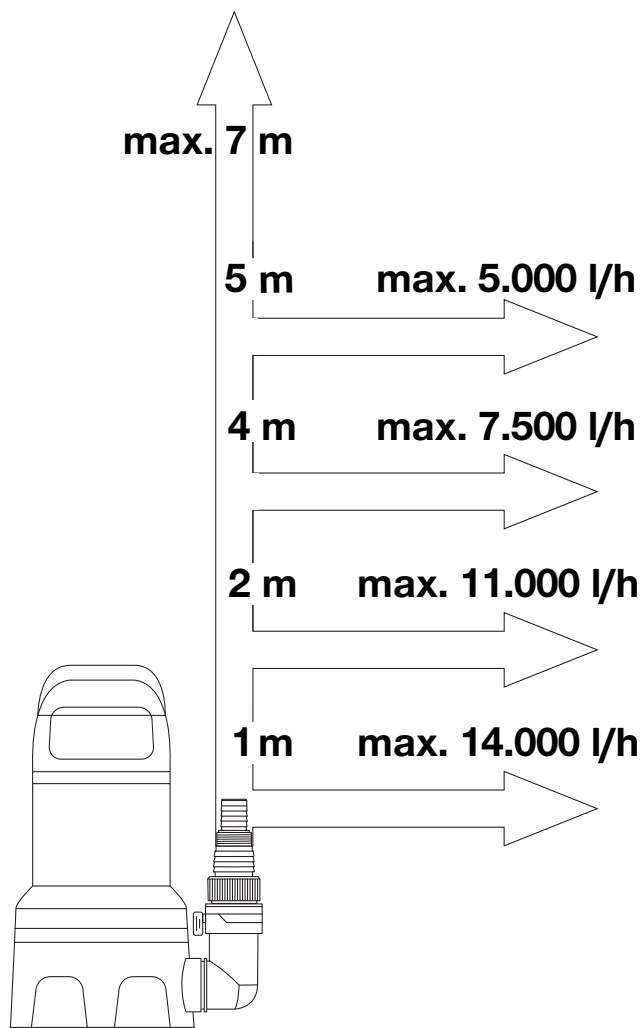
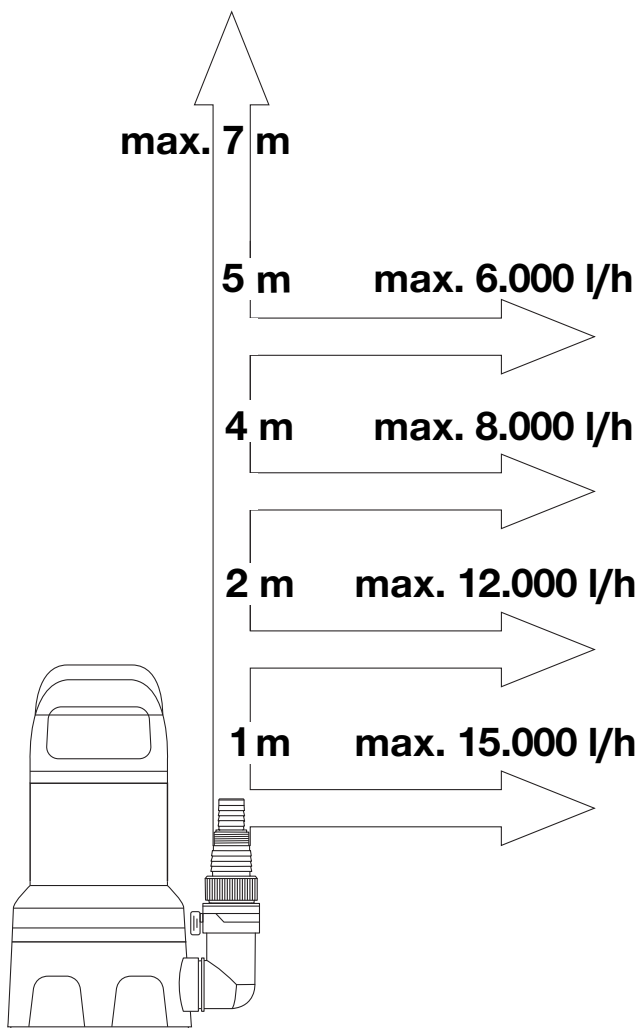
Art. 9048

Schmutzwasser
 Dirty water
 Eaux sales
 Vuil water
 Smutsvatten
 Urent vand
 Likavesi
 Skittent vann
 Acqua sporca
 Agua residual
 Água suja
 Woda brudna
 Szennyezett víz
 Špinavá voda

Znečistená voda
 Λύματα
 Грязная вода
 Umazana voda
 Onečiščená voda
 Prljava voda
 Брудна вода
 Арă murdară
 Kirli su
 Мръсна вода
 Ujë i ndotur
 Reovesi
 Purvinas vanduo
 Noteküdeni

Klarwasser
 Clear water
 Eaux claires
 Schoon water
 Klart vatten
 Rent vand
 Puhdasvesi
 Rent vann
 Acqua pulita
 Agua limpia
 Água limpa
 Woda czysta
 Tisztavíz
 Čistá voda

Čistá voda
 Καθαρό νερό
 Чистая вода
 Čista voda
 Čista voda
 Čista voda
 Чиста вода
 Арă proaspătă
 Berrak su
 Чиста вода
 Ujë i pastër
 Selge vesi
 Švarus vanduo
 Tīrais ūdens



<p>DE Produkthaftung Wir weisen ausdrücklich darauf hin, dass wir in Übereinstimmung mit dem Produkthaftungsgesetz nicht für Schäden haften, die durch unsere Produkte entstehen, wenn diese unsachgemäß und nicht durch einen von uns autorisierten Servicepartner repariert wurden oder wenn keine Original GARDENA Teile oder von uns zugelassene Teile verwendet wurden.</p>
<p>EN Product liability In accordance with the German Product Liability Act, we hereby expressly declare that we accept no liability for damage incurred from our products where said products have not been properly repaired by a GARDENA-approved service partner or where original GARDENA parts or parts authorised by GARDENA were not used.</p>
<p>FR Responsabilité Conformément à la loi relative à la responsabilité du fait des produits défectueux, nous déclarons expressément par la présente que nous déclinons toute responsabilité pour les dommages résultant de nos produits, si lesdits produits n'ont pas été correctement réparés par un partenaire d'entretien agréé GARDENA ou si des pièces d'origine GARDENA ou des pièces agréées GARDENA n'ont pas été utilisées.</p>
<p>NL Productaansprakelijkheid Conform de Duitse wet inzake productaansprakelijkheid verklaren wij hierbij uitdrukkelijk dat wij geen aansprakelijkheid aanvaarden voor schade ontstaan uit onze producten waarbij deze producten niet zijn gerepareerd door een GARDENA-erkende servicepartner of waarbij geen originele GARDENA-onderdelen of onderdelen die door GARDENA zijn goedgekeurd zijn gebruikt.</p>
<p>SV Produktansvar I enlighet med tyska produktansvarslagar förklarar vi härmed uttryckligen att vi inte åtar oss något ansvar för skador som orsakas av våra produkter där produkterna inte har genomgått korrekt reparation från en GARDENA-godkänd servicepartner eller där originaldelar från GARDENA eller delar godkända av GARDENA inte använts.</p>
<p>DA Produktansvar I overensstemmelse med den tyske produktansvarslav erklærer vi hermed udtrykkeligt, at vi ikke påtager os noget ansvar for skader på vores produkter, hvis de pågældende produkter ikke er blevet repareret korrekt af en GARDENA-godkendt servicepartner, eller hvor der ikke er brugt originale GARDENA-reservedele eller godkendte reservedele fra GARDENA.</p>
<p>FI Tuotevastuu Saksan tuotevastuulain mukaisesti emme ole vastuussa laitteiden vaurioista, jos korjauksia ei ole tehnyt GARDENAn hyväksymä huoltoliike tai jos niiden syynä on muiden kuin alkuperäisten GARDENA-varaosien tai GARDENAn hyväksymien varaosien käyttö.</p>
<p>IT Responsabilità del prodotto In conformità con la Legge tedesca sulla responsabilità del prodotto, con la presente dichiariamo espressamente che decliniamo qualsiasi responsabilità per danni causati dai nostri prodotti qualora non siano stati correttamente riparati presso un partner di assistenza approvato GARDENA o laddove non siano stati utilizzati ricambi originali o autorizzati GARDENA.</p>
<p>ES Responsabilidad sobre el producto De acuerdo con la Ley de responsabilidad sobre productos alemana, por la presente declaramos expresamente que no aceptamos ningún tipo de responsabilidad por los daños ocasionados por nuestros productos si dichos productos no han sido reparados por un socio de mantenimiento aprobado por GARDENA o si no se han utilizado piezas originales GARDENA o piezas autorizadas por GARDENA.</p>
<p>PT Responsabilidade pelo produto De acordo com a lei alemã de responsabilidade pelo produto, declaramos que não nos responsabilizamos por danos causados pelos nossos produtos, caso os tais produtos não tenham sido devidamente reparados por um parceiro de assistência GARDENA aprovado ou se não tiverem sido utilizadas peças GARDENA originais ou peças autorizadas pela GARDENA.</p>
<p>PL Odpowiedzialność za produkt Zgodnie z niemiecką ustawą o odpowiedzialności za produkt, niniejszym wyraźnie oświadczamy, że nie ponosimy żadnej odpowiedzialności za szkody poniesione na skutek użytkowania naszych produktów, w przypadku gdy naprawa tych produktów nie była odpowiednio przeprowadzana przez zatwierdzonego przez firmę GARDENA partnera serwisowego lub nie stosowano oryginalnych części GARDENA albo części autoryzowanych przez tę firmę.</p>
<p>HU Termékszavatosság A németországi termékszavatossági törvénnyel összhangban ezennel nyomatékosan kijelentjük, hogy nem vállalunk felelősséget a termékeinkben keletkezett olyan károkért, amelyek valamely GARDENA által jóváhagyott szervizpartner által nem megfelelően végzett javításból adódtak, vagy amely során nem eredeti GARDENA alkatrészeket vagy a GARDENA által jóváhagyott alkatrészeket használtak fel.</p>
<p>CS Odpovědnost za výrobek V souladu s německým zákonem o odpovědnosti za výrobek tímto výslovně prohlašujeme, že nepřijímáme žádnou odpovědnost za poškození vzniklá na našich výrobcích, kdy zmíněné výrobky nebyly řádně opraveny schváleným servisním partnerem GARDENA nebo kdy nebyly použity originální náhradní díly GARDENA nebo náhradní díly autorizované společností GARDENA.</p>
<p>SK Zodpovednosť za produkt V súlade s nemeckými právnymi predpismi upravujúcimi zodpovednosť za výrobok týmto výslovné prehlasujeme, že nenesieme žiadnu zodpovednosť za škody spôsobené našimi výrobkami, v prípade ktorých neboli náležite opravy vykonané servisným partnerom schváleným spoločnosťou GARDENA alebo neboli použité diely spoločnosti GARDENA alebo diely schválené spoločnosťou GARDENA.</p>
<p>EL Ευθύνη προϊόντος Σύμφωνα με τον γερμανικό νόμο περί Ευθύνης για τα Προϊόντα, με το παρόν δηλώνουμε ρητώς ότι δεν αποδεχόμαστε καμία ευθύνη για τυχόν ζημιές που προκύπτουν από τα προϊόντα μας εάν αυτά δεν έχουν επισκευαστεί ουστά από κάποιον εγκεκριμένο συνεργάτη επισκευών της GARDENA ή εάν δεν έχουν χρησιμοποιηθεί αυθεντικά εξαρτήματα GARDENA ή εξαρτήματα εγκεκριμένα από την GARDENA.</p>
<p>SL Odgovornost proizvajalca V skladu z nemškimi zakoni o odgovornosti za izdelke, izrecno izjavljajo, da ne sprejemamo nobene odgovornosti za škodo, ki jo povzročijo naši izdelki, če teh niso ustrezno popravili GARDENINI odobreni servisni partnerji ali pri tem niso bili uporabljeni originalni GARDENINI nadomestni deli ali GARDENINIMI homologiranimi nadomestnimi deli.</p>
<p>HR Pouzdanost proizvoda Sukladno njemačkom zakonu o pouzdanosti proizvoda, ovime izričito izjavljujemo kako ne prihvaćamo nikakvu odgovornost za oštećenja na našim proizvodima nastala uslijed neispravnog popravka od strane servisnog partnera kojeg odobrava GARDENA ili uslijed nekorištenja originalnih GARDENA dijelova ili dijelova koje odobrava GARDENA.</p>
<p>RO Răspunderea pentru produs În conformitate cu Legea germană privind răspunderea pentru produs, declarăm în mod expres prin prezentul document că nu acceptăm nicio răspundere pentru defecțiunile suferite de produsele noastre atunci când acestea nu au fost reparate în mod corect de un atelier de service partener, aprobat de GARDENA, sau când nu au fost utilizate piese GARDENA originale sau piese autorizate de GARDENA.</p>
<p>BG Отговорност за вреди, причинени от стоки Съгласно германския Закон за отговорността за вреди, причинени от стоки, с настоящото изрично декларираме, че не носим отговорност за щети, причинени от нашите продукти, ако те не са били правилно ремонтирани от одобрен от GARDENA сервис или ако не са използвани оригинални части на GARDENA или части, одобрени от GARDENA.</p>
<p>ET Tootevastutus Vastavalt Saksamaa tootevastutusseadusele deklareerime käesolevaga selgesõnaliselt, et me ei kanna mingisugust vastutust meie toodetest tingitud kahjude eest, kui need tooted ei ole korrektselt parandatud GARDENA heakskiidetud hoolduspartneri poolt või kui parandamisel ei ole kasutatud GARDENA originaalosi või GARDENA volitatud osi.</p>
<p>LT Gaminio patikimumas Mes aiškiai pareiškiame, kad, atsižvelgiant į Vokietijos gaminių patikimumo įstatymą, nepriisiame atsakomybės dėl bet kokios žalos, patirtos dėl mūsų gaminių, jeigu jie buvo netinkamai taisomi arba jų dalys buvo pakeistos neoriginaliomis GARDENA dalimis ar nepatvirtintomis dalimis, arba jeigu remonto darbai buvo atliekami ne GARDENA techninės priežiūros centro specialistų.</p>
<p>LV Atbildība par produkcijas kvalitāti Saskaņā ar Vācijas likumu par atbildību par produkcijas kvalitāti ar šo mēs paziņojam, ka neuzņemamies atbildību par bojājumiem, kas radušies, lietojot mūsu izstrādājumu, kuru remontu nav veicis uzņēmuma GARDENA apstiprināts apkopes partneris vai kuru remontam netika izmantotas oriģinālās GARDENA detaļas vai detaļas, kuru lietošanu apstiprinājis uzņēmums GARDENA.</p>

