

AXIS T92E Housing Series

AXIS T92E05

AXIS T92E20

Installation Guide

English

EN

France: Français

FR

Deutschland: Deutsch

DE

Italia: Italiano

IT

España: Español

ES

日本: 日本語

JA

中文: 简体中文

ZH

Legal considerations

Video and audio surveillance can be regulated by laws that vary from country to country. Check the laws in your local region before using this product for surveillance purposes.

Liability

Every care has been taken in the preparation of this document. Please inform your local Axis office of any inaccuracies or omissions. Axis Communications AB cannot be held responsible for any technical or typographical errors and reserves the right to make changes to the product and manuals without prior notice. Axis Communications AB makes no warranty of any kind with regard to the material contained within this document, including, but not limited to, the implied warranties of merchantability and fitness for a particular purpose. Axis Communications AB shall not be liable nor responsible for incidental or consequential damages in connection with the furnishing, performance or use of this material. This product is only to be used for its intended purpose.

Intellectual property rights

Axis AB has intellectual property rights relating to technology embodied in the product described in this document. In particular, and without limitation, these intellectual property rights may include one or more of the patents listed at axis.com/patent and one or more additional patents or pending patent applications in the US and other countries.

Equipment modifications

This equipment must be installed and used in strict accordance with the instructions given in the user documentation. This equipment contains no user-serviceable components. Unauthorized equipment changes or modifications will invalidate all applicable regulatory certifications and approvals.

Trademark acknowledgements

AXIS COMMUNICATIONS, AXIS, ARTPEC and VAPIX are registered trademarks of Axis AB in various jurisdictions. All other trademarks are the property of their respective owners.

Regulatory information

Europe



This product complies with the applicable CE marking directives and harmonized standards:

- Electromagnetic Compatibility (EMC) Directive 2014/30/EU. See *Electromagnetic compatibility (EMC) on page 4*.
- Low Voltage Directive (LVD) 2014/35/EU. See *Safety on page 5*.
- Restriction of Hazardous Substances (RoHS) Directive 2011/65/EU and 2015/863, including any amendments, updates or replacements. See *Disposal and recycling on page 5*.

A copy of the original declaration of conformity may be obtained from Axis Communications AB. See *Contact information on page 5*.

Electromagnetic compatibility (EMC)

This equipment has been designed and tested to fulfill applicable standards for:

- Radio frequency emission when installed according to the instructions and used in its intended environment.
- Immunity to electrical and electromagnetic phenomena when installed according to the instructions and used in its intended environment.

USA

This device complies with part 15 of the FCC Rules. Operation is subject to the following two conditions:

1. This device may not cause harmful interference, and
2. this device must accept any interference received, including interference that may cause undesired operation.

This equipment has been tested using a shielded network cable (STP) and found to comply with the limits for a Class B digital device, pursuant to part 15 of the FCC Rules. These limits are designed to provide reasonable protection against harmful interference in a residential installation. This equipment generates, uses and can radiate radio frequency energy and, if not installed and used in accordance with the instructions, may cause harmful interference to radio communications. However, there is no guarantee that interference will not occur in a particular installation. If this equipment does cause harmful interference to radio or television reception, which can be determined by turning the equipment off and on, the user is encouraged to try to correct the interference by one or more of the following measures:

- Reorient or relocate the receiving antenna.
- Increase the separation between the equipment and receiver.
- Connect the equipment into an outlet on a circuit different from that to which the receiver is connected.
- Consult the dealer or an experienced radio/TV technician for help.

The product shall be connected using a shielded network cable (STP) that is properly grounded.

Contact information

Axis Communications Inc.
300 Apollo Drive
Chelmsford, MA 01824
United States of America
Tel: +1 978 614 2000

Canada

This digital apparatus complies with CAN ICES-3 (Class B). The product shall be connected using a shielded network cable (STP) that is properly grounded. Cet appareil numérique est conforme à la norme CAN NMB-3 (classe B). Le produit doit être connecté à l'aide d'un câble réseau blindé (STP) qui est correctement mis à la terre.

Europe

This digital equipment fulfills the requirements for RF emission according to the Class B limit of EN 55022. The product shall be connected using a shielded network cable (STP) that is properly grounded.

Australia/New Zealand

This digital equipment fulfills the requirements for RF emission according to the Class B limit of AS/NZS CISPR 22. The product shall be connected using a shielded network cable (STP) that is properly grounded.

Japan

この装置は、クラスB機器です。この装置は、住宅環境で使用することを目的としています。この装置がラジオやテレビジョン受信機に近接して使用されると、受信障害を引き起こすことがあります。取扱説明書に従って正しい取り扱いをして下さい。VCCI-B
本製品は、シールドネットワークケーブル(STP)を使用して接続してください。また適切に接地してください。
本製品は電気通信事業者(移动通信会社、固定通信会社、インターネットプロバイダ等)の通信回線(公衆無線LANを含む)に直接接続することができません。本製品をインターネットに接続する場合は、必ずルータ等を経由し接続してください。

Korea

이 기기는 가정용(B급) 전자파적합기기로서 주로 가정에서 사용하는 것을 목적으로 하며, 모든 지역에서 사용할 수 있습니다. 적절히 접지된 STP (shielded twisted pair) 케이블을 사용하여 제품을 연결 하십시오.

Safety

This product complies with IEC/EN/UL 60950-1 and IEC/EN/UL 60950-22, Safety of Information Technology Equipment. The product shall be grounded either through a shielded network cable (STP) or other appropriate method.

Disposal and recycling

When this product has reached the end of its useful life, dispose of it according to local laws and regulations. For information about your nearest designated collection point, contact your local authority responsible for waste disposal. In accordance with local legislation, penalties may be applicable for incorrect disposal of this waste.

Europe



■ This symbol means that the product shall not be disposed of together with household or commercial waste. Directive 2012/19/EU on waste electrical and electronic equipment (WEEE) is applicable in the European Union member states. To prevent potential harm to human health and the environment, the product must be disposed of in an approved and environmentally safe recycling process. For information about your nearest designated collection point, contact your local authority responsible for waste disposal. Businesses should contact the product supplier for information about how to dispose of this product correctly.

This product complies with the requirements of Directive 2011/65/EU and 2015/863 on the restriction of the use of certain hazardous substances in electrical and electronic equipment (RoHS).

China



This product complies with the requirements of SJ/T 11364-2014, Marking for the restriction of hazardous substances in electrical and electronic products.

有毒有害物质或元素

部件名称	铅 (Pb)	汞 (Hg)	镉 (Cd)	六价铬 (Cr-VI)	多溴联苯 (PB-B)	多溴二苯醚 (PB-DE)
电气实装部分	X	0	0	0	0	0

0: 表示该有毒有害物质在该部件均质材料中的含量均在GB/T 26572标准规定的限量要求以下。
X: 表示该有毒有害物质至少在该部件的某一均质材料中的含量超出GB/T 26572标准规定的限量要求。

Contact information

Axis Communications AB
Gränden 1
223 69 Lund
Sweden

Tel: +46 46 272 18 00

Fax: +46 46 13 61 30

axis.com

Support

Should you require any technical assistance, please contact your Axis reseller. If your questions cannot be answered immediately, your reseller will forward your queries through the appropriate channels to ensure a rapid response. If you are connected to the Internet, you can:

- download user documentation and software updates
- find answers to resolved problems in the FAQ database, search by product, category, or phrase
- report problems to Axis support staff by logging in to your private support area
- chat with Axis support staff
- visit Axis Support at axis.com/support

Learn more!

Visit Axis learning center axis.com/learning for useful trainings, webinars, tutorials and guides.

Safety information

Hazard levels

▲DANGER

Indicates a hazardous situation which, if not avoided, will result in death or serious injury.

▲WARNING

Indicates a hazardous situation which, if not avoided, could result in death or serious injury.

▲CAUTION

Indicates a hazardous situation which, if not avoided, could result in minor or moderate injury.

NOTICE

Indicates a situation which, if not avoided, could result in damage to property.

Other message levels

Important

Indicates significant information which is essential for the product to function correctly.

Note

Indicates useful information which helps in getting the most out of the product.

AXIS T92E Housing Series

Safety instructions

NOTICE

- The Axis product shall be used in compliance with local laws and regulations.
- Store the Axis product in a dry and ventilated environment.
- Avoid exposing the Axis product to shocks or heavy pressure.
- Do not install the product on unstable poles, brackets, surfaces or walls.
- Use only applicable tools when installing the Axis product. Using excessive force with power tools could cause damage to the product.
- Do not use chemicals, caustic agents, or aerosol cleaners.
- Use a clean cloth dampened with pure water for cleaning.
- Use only accessories that comply with the technical specification of your product. These can be provided by Axis or a third party. Axis recommends using Axis power source equipment compatible with your product.
- Use only spare parts provided by or recommended by Axis.
- Do not attempt to repair the product yourself. Contact Axis support or your Axis reseller for service matters.

Transportation

NOTICE

- When transporting the Axis product, use the original packaging or equivalent to prevent damage to the product.

Installation Guide

This Installation Guide provides instructions for installing AXIS T92E05 Protective Housing and AXIS T92E20 Outdoor Housing.

To install the camera on the network, please see the Installation Guide provided with the camera. For other details about the camera, see the User Manual available on www.axis.com

Installation Steps

1. Make sure the package contents, tools and other materials necessary for the installation are in order. See *page 9*.
2. Study the hardware overview. See *page 10*.
3. Study the specifications. See *page 12*.
4. Install the hardware. See *page 13*.

Package contents

- AXIS T92E05/T92E20 Housing
- AXIS T94Q01A Wall Mount
- Network Cable (AXIS T92E20 only)
- Torx screw driver (T20) or Allen key (T20)
- Torx screw bit (T30)
- Holder mounting kit
- Installation Guide (this document)

Recommended Tools

- Drill – if using the hard ceiling mount
- Knife – if using the drop ceiling mount
- Torx screwdriver T30 – if using a compatible bracket from AXIS T91A Mounting Accessories

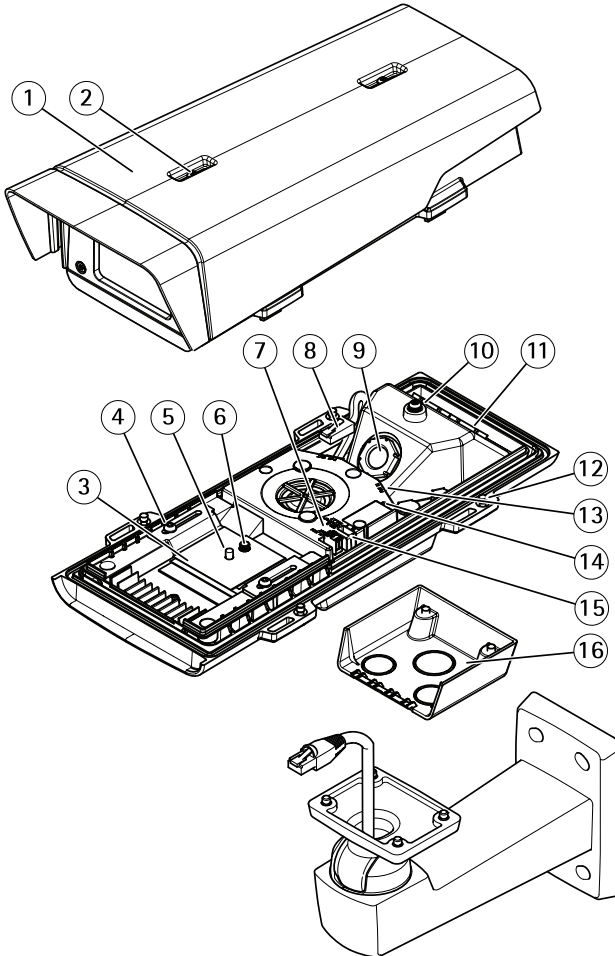
Optional accessories

For a complete list of available accessories for this product, go to the product's page on axis.com and select Software & Accessories.

AXIS T92E Housing Series

Hardware overview

Housing

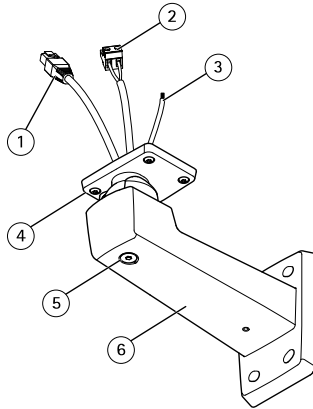


AXIS T92E20 Protective Housing

1 Sunshield

- 2 Sunshield adjustment screw (2x)
- 3 Holder
- 4 Holder screws (2x) and washer flanges (2x)
- 5 Stabilizing screw
- 6 Camera screw and washer
- 7 Alarm output
- 8 Network cable
- 9 Cable hole
- 10 Safety wire tab
- 11 Cable holes (2x)
- 12 Bottom cover
- 13 Network connector (PoE IN)
- 14 Status LED
- 15 Cold start switch
- 16 Bracket adapter

Wall Mount



- 1 Network cable (route through wall bracket)
- 2 Power cable (route through wall bracket) (for products equipped with power connector)
- 3 Grounding cable (route through wall bracket) (for camera housings equipped with grounding screw)
- 4 Screw T20 (4x)
- 5 Bracket adjustment screw T30
- 6 Wall mount

AXIS T92E Housing Series

Housing LED indicators

Note

The housing LED referred to in the table below is located in the housing.

Alarm events will be triggered through the camera's input port.

Housing LED (fan and heater)	Indication
Green	Normal operation.
Flashing green	Single flash: Heater error Double flash: Fan error Triple flash: General error

Contact your Axis reseller for information about spare parts and troubleshooting.

Specifications

Function/group	Item	Specification
	Models	AXIS T92E05 Protective Housing AXIS T92E20 Outdoor Housing
General	Casing	Aluminium casing, polycarbonate sunshield and cable cover. IP66- and NEMA 4X-rated, IK10 impact-resistant aluminum enclosure
	Operating conditions	AXIS T92E05: -20°C to 55°C (-4°F to 131°F) ¹ Humidity 15 – 100% (condensing) AXIS T92E20: -40°C to 50°C (-40°F to 122°F) ¹ Humidity 15 – 100% (condensing)
	Approvals	AXIS T92E05: IEC 60068-2-6, IEC 60068-2-27 AXIS T92E20: EN 55022 Class B, EN 61000-3-2, EN 61000-3-3, EN 55024, EN 61000-6-1, EN 61000-6-2, EN 60950-22, IEC 60068-2-6, IEC 60068-2-27, FCC Part 15, Subpart B, Class B, VCCI, Class B ITE, C-tick AS/NZS CISPR 22, ICES-003, Class B, KCC Class B

	Dimensions (HxWxD)	120 x 161 x 404 mm (4.7" x 6.4" x 15.9")
	Weight	AXIS T92E05: 2.4 kg (5.1 lb.) AXIS T92E20: 2.5 kg (5.5 lb.)

- Operating temperatures may vary depending on camera, see the User's Manual, available from www.axis.com

Install the hardware

NOTICE

- Due to local regulations or the environmental and electrical conditions in which the product is to be used, a shielded network cable (STP) may be appropriate or required. All cables connecting the product to the network and that are routed outdoors or in demanding electrical environments shall be intended for their specific use. Make sure that the network devices are installed in accordance with the manufacturer's instructions.

(AXIS T92E05) For information about regulatory requirements, see the camera's Installation Guide.

(AXIS T92E20) For information about regulatory requirements, see *Regulatory information on page 4*

- Be careful not to scratch, damage or leave fingerprints on the window because this could decrease image quality.

The Axis product can be installed with the cables routed through or along the wall.

Read all the instructions before installing the product:

- Install the wall mount. See *Install the Wall Mount on page 13*. For detailed instructions, see the wall mount's Installation Guide, supplied in the package or available on www.axis.com
- Attach the housing to the wall mount. See *Attach the Housing to the Wall Mount on page 14*.
- Install the camera in the housing. See *Install the Camera in the Housing on page 16*.

Install the Wall Mount

CAUTION

Make sure that the screws and plugs are appropriate for the material (e.g. wood, metal, drywall, stone) and that the material is strong enough to support the combined weight of the camera, housing, and wall mount.

Note

- See also the wall mount's Installation Guide supplied in the package and available on www.axis.com
- For technical specifications about the connectors, see the camera's User Manual available on www.axis.com

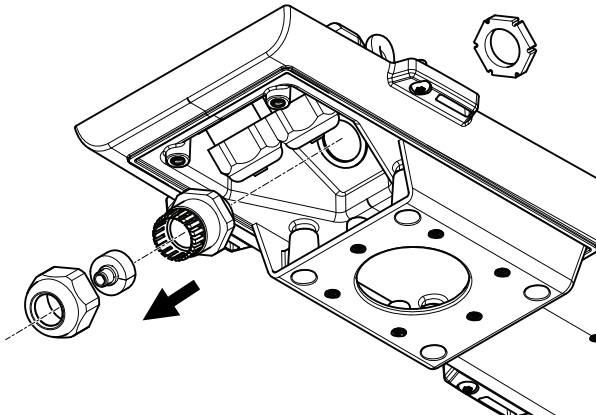
AXIS T92E Housing Series

1. Prepare the wall for installation of the wall mount. Use the wall bracket as a template and mark the holes before drilling the holes.
2. Route the network cable and, if required, the power cable through the wall bracket. Leave approximately 30 cm (11.8 in) of cable for connecting the camera.
3. If the camera housing has a grounding screw, route a grounding cable through the wall bracket. Leave approximately 15 cm (5.9 in) of cable for connecting the housing.
4. If connecting an auxiliary device, for example an I/O, audio, or external power device, to the camera, repeat the step above as applicable to the specific device.
5. Fasten the wall bracket to the wall by tightening the screws.

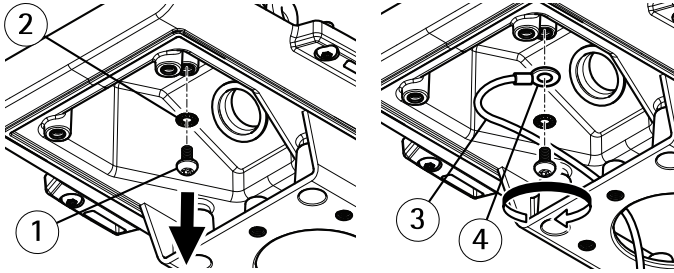
Attach the Housing to the Wall Mount

NOTICE

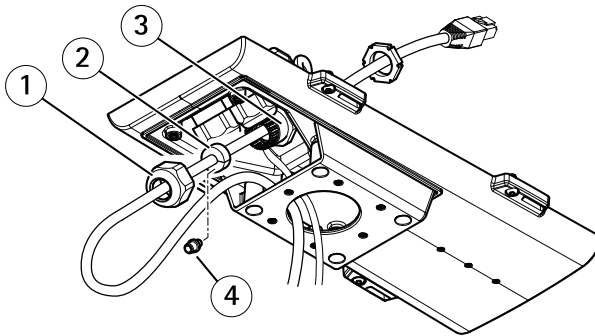
- Using any other than the provided cable gasket could cause water to seep in and damage the product. For information about cable gaskets and cable glands that allow for other cable areas, see www.axis.com
 - If more than one cable is used, each cable must be routed through a separate cable gasket.
 - Only open a hole in cable gaskets that will be used and if a cable gasket is torn, replace it with a new cable gasket. Leaving a cable gasket open or using a torn cable gasket could cause water to seep in and damage the product.
1. Loosen the bottom cover screws and lift the top cover.
 2. Loosen the cable cover screws; detach the cable cover from the bottom cover.



3. Remove the cap, the plug and the gasket from the cable gland that is to be used.
4. Remove the grounding screw, washer and grounding shoe ring.
5. Fasten the shoe ring mounted grounding wire and washer with the grounding screw.



1. Route the network cable through the cap.
2. Slide the network cable through the slit on the gasket to attach the gasket to the network cable.
3. Route the network cable through the cable gland.



- 1 Cap
- 2 Gasket
- 3 Cable gland
- 4 Plug (discard)

4. Press the gasket into the cable gland and screw the cap on firmly.

NOTICE

If a cable other than the provided cable is used, you need to prepare a shielded network cable with a gasket. Gently force the cable through the gasket provided and attach a network connector. It may be necessary to pierce a hole in the gasket with the supplied screwdriver.

NOTICE

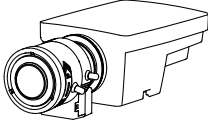
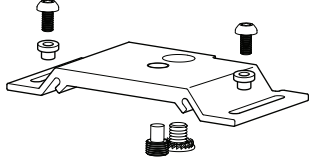
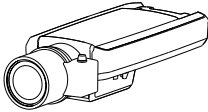
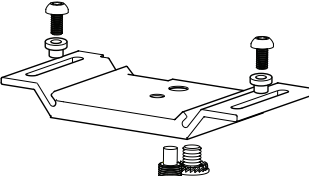
Mount the power connector after the power cable is pushed through the cable gasket.

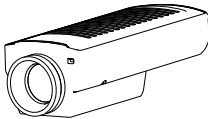
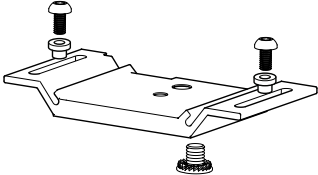
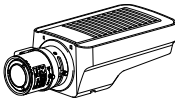
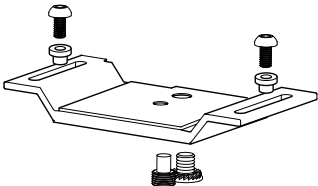
AXIS T92E Housing Series

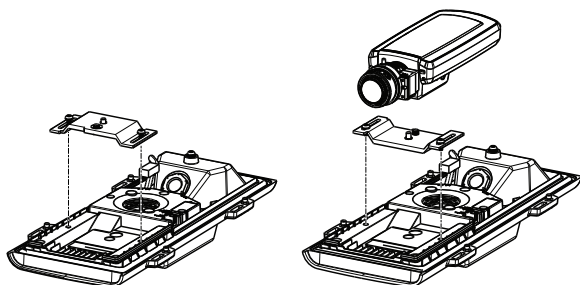
5. If connecting an auxiliary device, for example an I/O, audio, or external power device, to the camera, repeat the steps above as applicable to the specific device.
6. Put the bottom cover on the wall mount and tighten the screws (torque 2 Nm).

Install the Camera in the Housing

1. Loosen the holder screws and washers to remove the holder.
2. Secure the camera to the holder with the screws according to the illustrations and table below. Tighten the stabilizing screw just lightly and tighten the camera screw to 2 Nm. Be careful not to overtighten the screws

Camera model	AXIS T92E05/AXIS T92E20		AXIS T92E20	
	Holder position and fasteners		I/O cable	Cold Startup Delay
			No	Off (0)
			Yes	Off (0)

		<p>Yes</p>	<p>Off (I)</p>
		<p>Yes</p>	<p>Off (I)</p>



3. If connecting external/input devices, audio devices, or external power to the camera, connect them according to the instructions in the camera's Installation Guide.
4. If applicable, connect the internal network cable and I/O cable, which are pre-installed in the outdoor housing, to the camera.
5. Attach the holder to the bottom cover. Adjust the position of the holder carefully and tighten the holder screws including the washers (torque 0.5 Nm). Allow just enough distance, approximately 5–10 mm (0.2–0.4 in.), between the camera lens and the front end of the plastic inner housing to fit the top cover without the window scratching the lens.
6. If using an SD card for local storage, insert the card into the camera's SD card slot.
7. Connect the external network cable to PoE IN.
8. If applicable, set the Cold Startup Delay switch to the correct position, see table on page 16 and *Cold Startup Delay Switch* on page 18

AXIS T92E Housing Series

9. If applicable, check that the housing's status LEDs indicate the correct conditions. See *Housing LED indicators on page 12*.
10. Make sure that the camera LEDs indicate the correct conditions. See the camera's Installation Guide.
11. Loosen the bracket adjustment screw to aim the camera to the point of interest. For information about how to view the video stream, see the camera's Installation Guide or www.axis.com/techsup
12. Attach the top cover safety wire to the tab on the bottom cover.
13. Close the housing. Make sure to alternately tighten the bottom cover screws a few turns at a time until they are tight (torque 1.5 Nm). This will help ensure that the bottom cover gasket is compressed evenly.
14. Loosen the sunshield adjustment screws and adjust the sunshield to the desired position.

NOTICE

Make sure not to pinch any cables when closing the housing.

Cold Startup Delay Switch

AXIS T92E20 features Arctic Temperature Control, which is enabled by setting the Cold Startup Delay switch to I (ON). When enabled, this function controls when the camera restarts after a power cut, when temperatures are below 0 °C (32 °F); the camera is first heated to approximately 0 °C (32 °F) before it initializes. This prevents damage to camera models that include moving parts.

Note

The switch should be disabled for cameras without moving parts, since they do not require this function, see *Install the Camera in the Housing on page 16*

Cleaning instructions

NOTICE

- Avoid the use of abrasive cleaners, squeegees and/or other cleaning implements that may scratch or gouge the coating.
 - Do not clean with a dry cloth or sponge.
 - Do not use razor blades or other sharp tools, abrasive or strongly alkaline detergents, solvents, leaded benzene and carbon tetrachloride.
1. Gently wash the sheet to loosen dirt and grime, see table below.

How to remove:	Use a microfiber cloth or a sponge with:
Dust or dirt	Lukewarm water or non-abrasive detergent
Greater build-up of dirt or grease stains	Benzene-free pure petroleum spirit (cleaner's naphtha or light gasoline)

Splashes of dye, grease or residual sealing	Ethyl alcohol, isopropyl alcohol or petroleum ether and gentle rubbing prior to curing
Rust marks	10 % solution of oxalic acid

2. Rinse carefully afterwards with clean water.
3. To prevent water stains, dry thoroughly with a chamois or a cellulose sponge.

Further information

- For the latest version of this document, see axis.com
- For useful online trainings and webinars, see axis.com/academy

Warranty information

For information about Axis' product warranty and thereto related information, go to axis.com/warranty.

Informations sur la sécurité

Niveaux de risques

▲ DANGER

Indique une situation dangereuse qui, si elle n'est pas évitée, entraînera le décès ou des blessures graves.

▲ AVERTISSEMENT

Indique une situation dangereuse qui, si elle n'est pas évitée, pourrait entraîner le décès ou des blessures graves.

▲ ATTENTION

Indique une situation dangereuse qui, si elle n'est pas évitée, pourrait entraîner des blessures légères ou modérées.

AVIS

Indique une situation qui, si elle n'est pas évitée, pourrait endommager l'appareil.

Autres niveaux de message

Important

Indique les informations importantes, nécessaires pour assurer le bon fonctionnement de l'appareil.

Note

Indique les informations utiles qui permettront d'obtenir le fonctionnement optimal de l'appareil.

Consignes de sécurité

AVIS

- Le produit Axis doit être utilisé conformément aux lois et règlements locaux.
- Conserver ce produit Axis dans un environnement sec et ventilé.
- Ne pas exposer ce produit Axis aux chocs ou aux fortes pressions.
- Ne pas installer ce produit sur des poteaux, supports, surfaces ou murs instables.
- Utiliser uniquement des outils recommandés pour l'installation de l'appareil Axis. L'application d'une force excessive sur l'appareil avec des outils puissants pourrait l'endommager.
- Ne pas utiliser de produits chimiques, de substances caustiques ou de nettoyeurs pressurisés.
- Utiliser un chiffon propre imbibé d'eau pure pour le nettoyage.
- Utiliser uniquement des accessoires conformes aux caractéristiques techniques de votre produit. Ils peuvent être fournis par Axis ou un tiers. Axis recommande d'utiliser un équipement d'alimentation Axis compatible avec votre produit.
- Utiliser uniquement les pièces de rechange fournies ou recommandées par Axis.
- Ne pas essayer de réparer vous-même ce produit. Contacter l'assistance technique d'Axis ou votre revendeur Axis pour des problèmes liés à l'entretien.

Transport

AVIS

- Lors du transport du produit Axis, utilisez l'emballage d'origine ou un équivalent pour éviter d'endommager le produit.

Guide d'installation

Ce guide d'installation explique comment installer le boîtier de protection AXIS T92E05 et le boîtier d'extérieur AXIS T92E20.

Pour installer la caméra sur le réseau, consultez le guide d'installation fourni avec la caméra. Pour obtenir de plus amples détails relatifs à la caméra, consultez le manuel de l'utilisateur, disponible sur le site www.axis.com

Procédures d'installation

1. Assurez-vous que les outils et autres matériels nécessaires à l'installation sont inclus dans l'emballage. Cf. *page 23*.
2. Consultez la description du matériel. Cf. *page 24*.
3. Étudiez les caractéristiques. Cf. *page 26*.
4. Installez le matériel. Cf. *page 27*.

Contenu de l'emballage

- Boîtier AXIS T92E05/T92E20
- Support mural AXIS T94Q01A
- Câble réseau (AXIS T92E20 uniquement)
- Tournevis Torx (T20) ou clef Allen (T20)
- Embout pour vis Torx (T30)
- Kit de montage du support
- Guide d'installation (ce document)

Outils recommandés

- Perçage : en cas d'utilisation de la fixation au plafond
- Lame : en cas d'utilisation de la fixation pour faux-plafond
- Tournevis T30 Torx : en cas d'utilisation d'un support compatible tiré des accessoires de montage AXIS T91A

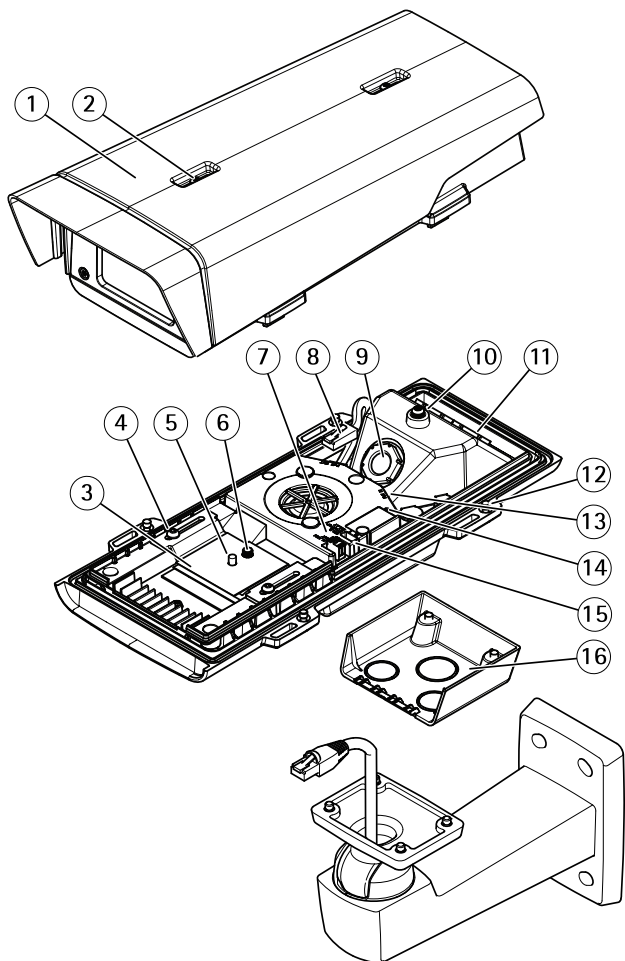
Accessoires en option

Pour une liste complète des accessoires disponibles pour ce produit, accédez à la page du produit sur axis.com et sélectionnez Logiciel et accessoires.

AXIS T92E Housing Series

Aperçu du matériel

Boîtier

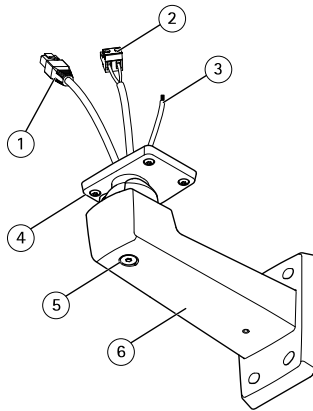


Boîtier de protection AXIS T92E20

1 Pare-soleil

- 2 *Vis de réglage du pare-soleil (x2)*
- 3 *Support*
- 4 *Vis du support (2x) et rondelles (2x)*
- 5 *Vis de stabilisation*
- 6 *Vis et rondelle de la caméra*
- 7 *Sortie d'alarme*
- 8 *Câble réseau*
- 9 *Trou de câble*
- 10 *Patte de fil de sécurité*
- 11 *Trous pour câbles (2x)*
- 12 *Couvercle inférieur*
- 13 *Connecteur réseau (PoE IN)*
- 14 *Voyant d'état*
- 15 *Commutateur de démarrage à froid*
- 16 *Adaptateur de support*

Fixation murale



- 1 *Câble réseau (acheminé à travers le support mural)*
- 2 *Câble d'alimentation (acheminé à travers le support mural) (pour les produits équipés d'un connecteur d'alimentation)*
- 3 *Câble de mise à la terre (acheminé à travers le support mural) (pour les boîtiers de caméra équipés d'une vis de mise à la terre)*
- 4 *Vis T20 (x4)*
- 5 *Vis de réglage du support T30*
- 6 *Fixation murale*

AXIS T92E Housing Series

Voyants DEL du boîtier

Note

Le voyant du boîtier figurant dans le tableau ci-dessous est situé dans le boîtier.

Les événements d'alarmes sont déclenchés par le biais du port d'entrée de la caméra.

Voyant boîtier (ventilateur et régulateur de chaleur)	Indication
Vert	Fonctionnement normal.
Clignote en vert	Clignote une seule fois : erreur au niveau du régulateur de chauffage. Clignote deux fois : erreur au niveau du ventilateur. Clignote trois fois : erreur générale.

Contactez votre revendeur Axis pour obtenir de plus amples informations sur les pièces de rechange et les services de dépannage.

Caractéristiques techniques

Fonction/ groupe	Article	Caractéristiques techniques
	Modèles	Boîtier de protection AXIS T92E05 Boîtier d'extérieur AXIS T92E20
Généralités	Boîtier	Boîtier en aluminium, pare-soleil et couvercle de câble en polycarbonate. Caisson IK10 en aluminium résistant aux chocs, conforme aux normes IP66 et NEMA 4X
	Conditions d'utilisation	AXIS T92E05 : -20 °C à 55 °C (-4 °F à 131 °F) ¹ Humidité 15 - 100 % (condensation) AXIS T92E20 : -40 °C à 50 °C (-40 °F à 122 °F) ¹ Humidité 15 - 100 % (condensation)
	Agréments	AXIS T92E05 : IEC 60068-2-6, IEC 60068-2-27 AXIS T92E20 : EN 55022 Classe B, EN 61000-3-2, EN 61000-3-3, EN 55024, EN 61000-6-1, EN 61000-6-2, EN 60950-22, IEC 60068-2-6, IEC 60068-2-27, FCC Partie

		15, Sous-partie B, Classe B, VCCI, Classe B ITE, C-tick AS/NZS CISPR 22, ICES-003, Classe B, KCC Classe B
	Dimensions (H x l x P)	120 x 161 x 404 mm (4,7" x 6,4" x 15,9")
	Poids	AXIS T92E05 : 2,4 kg (5,1 lb) AXIS T92E20 : 2,5 kg (5,5 lb)

1. Les températures de fonctionnement peuvent varier d'une caméra à l'autre, consultez le manuel de l'utilisateur, disponible sur le CD fourni avec la caméra ou sur le site www.axis.com.

Installation du matériel

AVIS

- Les réglementations locales ou les conditions environnementales et électriques dans lesquelles le produit est utilisé peuvent nécessiter l'utilisation d'un câble réseau blindé (STP). Tous les câbles réseau qui sont acheminés à l'extérieur ou dans des environnements électriques exigeants doivent être destinés à leur usage spécifique. Assurez-vous que les périphériques réseau sont installés conformément aux instructions du fabricant.

(AXIS T92E05) Pour plus d'informations sur les exigences réglementaires, reportez-vous au guide d'installation de la caméra.

(AXIS T92E20) Pour plus d'informations sur les exigences réglementaires, consultez .

- Veillez à ne pas rayer, endommager ou laisser d'empreintes sur la fenêtre, car cela pourrait altérer la qualité d'image.

Le produit Axis peut être installé avec des câbles acheminés à travers ou le long du mur.

Lisez toutes les instructions avant l'installation de l'appareil :

1. Installez la fixation murale. Cf. *Installation de la fixation murale* page 27. Pour obtenir des instructions détaillées, reportez-vous au guide d'installation de la fixation murale disponible dans la boîte ou sur le site www.axis.com.
2. Placez le boîtier sur la fixation murale. Cf. *Placement du boîtier sur la fixation murale* page 28.
3. Installez la caméra dans le boîtier. Cf. *Installation de la caméra dans le boîtier* page 30.

Installation de la fixation murale

⚠ATTENTION

Assurez-vous que les vis et les fiches sont adaptées au matériau (bois, métal, cloison sèche, pierre, etc.) et que le matériau est suffisamment résistant pour supporter le poids combiné de la caméra, du boîtier et du support mural.

Note

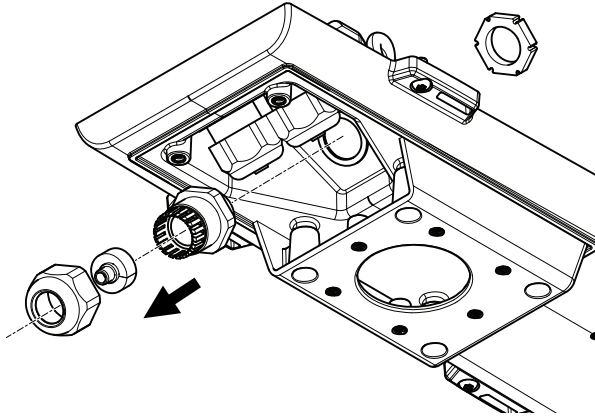
- Reportez-vous également au guide d'installation de la fixation murale disponible dans la boîte et sur le site www.axis.com.

- Pour plus de caractéristiques techniques concernant les connecteurs, reportez-vous au manuel d'utilisation de la caméra, disponible sur www.axis.com
1. Préparez le mur pour l'installation du support mural. Utilisez le support mural comme gabarit et marquez les emplacements des trous avant de les percer.
 2. Acheminez le câble réseau et, le cas échéant, le câble d'alimentation en le faisant passer au travers du support mural. Laissez environ 30 cm (11,8") de câble pour la connexion de la caméra.
 3. Si le boîtier de la caméra est équipé d'une vis de mise à la terre, acheminez un câble à travers le support mural. Laissez environ 15 cm (5,9") de câble pour la connexion du boîtier.
 4. Si vous connectez un périphérique auxiliaire (par exemple, un périphérique d'entrée/sortie, audio ou d'alimentation externe) à la caméra, répétez l'étape ci-dessus pour chaque périphérique.
 5. Serrez les vis du support mural pour le fixer.

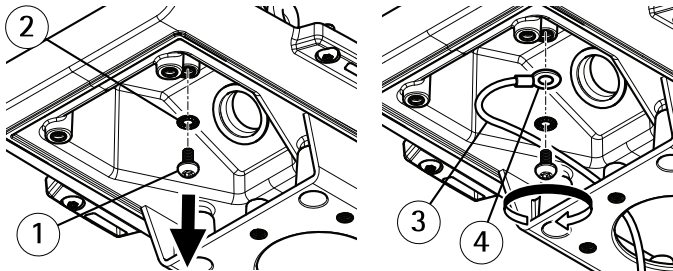
Placement du boîtier sur la fixation murale

AVIS

- L'utilisation d'un joint de câble autre que celui fourni risque d'entraîner une infiltration d'eau et d'endommager le produit. Pour plus d'informations sur les joints de câble et les presse-étoupes adaptés à d'autres zones de câble, consultez www.axis.com
 - Si vous utilisez plus d'un câble, chaque câble doit être acheminé au travers d'un joint de câble distinct.
 - Ouvrez uniquement un trou dans les joints de câble qui seront utilisés. Si un joint de câble est endommagé, remplacez-le par un nouveau. L'utilisation d'un joint de câble ouvert ou endommagé risque d'entraîner une infiltration d'eau et d'endommager le produit.
1. Desserrez les vis du couvercle inférieur et soulevez le couvercle supérieur.
 2. Desserrez les vis du couvercle de câble pour pouvoir le détacher du couvercle inférieur.

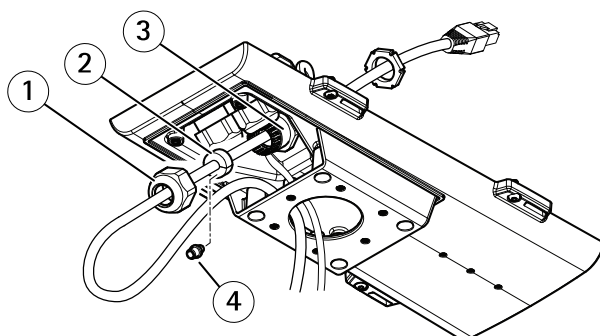


3. Retirez le capuchon, le bouchon et le joint du presse-étoupe à utiliser.
4. Retirez la vis de mise à la terre, la rondelle et l'anneau de la cosse de mise à la terre.
5. Fixez le câble de mise à la terre monté sur l'anneau de la cosse et la rondelle à l'aide de la vis de mise à la terre.



1. Acheminez le câble réseau dans le capuchon.
2. Insérez le câble réseau dans la fente du joint afin de fixer le joint au câble réseau.
3. Acheminez le câble réseau à travers le presse-étoupe.

AXIS T92E Housing Series



- 1 Capuchon
- 2 Joint
- 3 Presse-étoupe
- 4 Bouchon (rebut)

4. Enfoncez le joint dans le presse-étoupe et vissez le capuchon fermement.

AVIS

Si vous utilisez un câble autre que celui fourni, il est nécessaire de préparer un câble réseau blindé avec un joint. Faites passer délicatement le câble à travers le joint fourni et complétez-le par un connecteur réseau. Il peut être nécessaire de percer un trou dans le joint à l'aide du tournevis fourni.

AVIS

Installez le connecteur d'alimentation une fois le câble d'alimentation inséré dans le joint de câble.

5. Si vous connectez un périphérique auxiliaire (par exemple, un périphérique d'entrée/sortie, audio ou d'alimentation externe) à la caméra, répétez les étapes ci-dessus pour chaque périphérique.
6. Placez le couvercle inférieur sur la fixation murale et serrez les vis (couple 2 Nm).

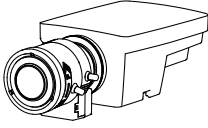
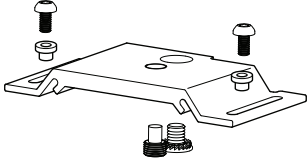
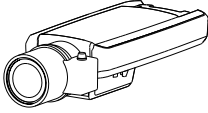
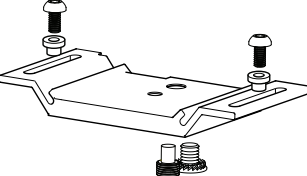
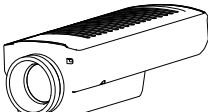
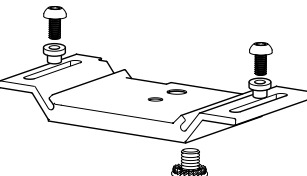
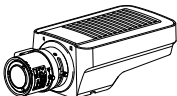
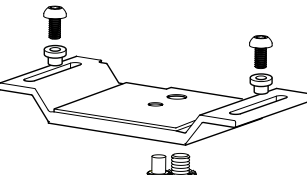
Installation de la caméra dans le boîtier

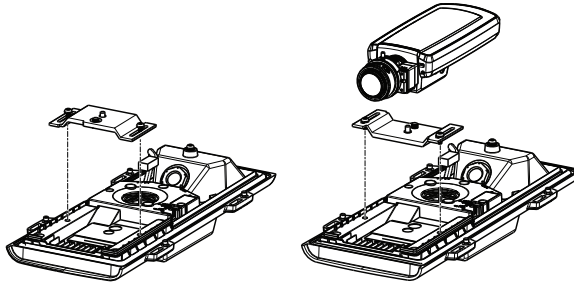
1. Desserrez les vis du support et les rondelles pour retirer le support.
2. Fixez la caméra au support à l'aide des vis, conformément aux illustrations et au tableau ci-dessous. Serrez la vis de stabilisation légèrement et serrez la vis de la caméra avec un couple de 2 Nm. Veillez à ne pas trop serrer les vis.

Modèle de caméra	AXIS T92E05/AXIS T92E20	AXIS T92E20	
	Position du support et des éléments de fixation	Câble d'E/S	Report de démarrage à froid

AXIS T92E Housing Series

FR

		<p>Non</p>	<p>Éteint (0)</p>
		<p>Oui</p>	<p>Éteint (0)</p>
		<p>Oui</p>	<p>Désactivé (1)</p>
		<p>Oui</p>	<p>Désactivé (1)</p>



3. Si vous connectez des périphériques externes/d'entrée, des périphériques audio ou une source d'alimentation externe à la caméra, connectez-les conformément aux instructions fournies dans le guide d'installation de la caméra.
4. Le cas échéant, branchez le câble réseau interne et le câble d'E/S, qui sont préinstallés dans le boîtier d'extérieur, à la caméra.
5. Fixez le support au couvercle inférieur. Ajustez précisément la position du support, puis serrez les vis de ce dernier avec les rondelles (couple 0,5 Nm). Prévoyez une distance suffisante, d'environ 5 à 10 mm, entre l'objectif de la caméra et l'extrémité avant du boîtier intérieur en plastique pour positionner le couvercle supérieur sans que la fenêtre ne raye l'objectif.
6. Si vous utilisez une carte SD en tant qu'espace de stockage local, insérez la carte dans le logement prévu à cet effet sur la caméra.
7. Connectez le câble réseau externe à PoE IN.
8. Le cas échéant, mettez le commutateur de report de démarrage à froid sur la position appropriée ; reportez-vous au tableau à la *page 30* et *Commutateur de report de démarrage à froid page 33*
9. Le cas échéant, vérifiez si les voyants d'état du boîtier indiquent les conditions correctes. Cf. *Voyants DEL du boîtier page 26*.
10. Vérifiez que les voyants sur la caméra indiquent les conditions correctes. Reportez-vous au guide d'installation de la caméra.
11. Desserrez la vis de réglage du support afin d'orienter la caméra dans la direction voulue. Pour plus d'informations sur la visualisation du flux de données vidéo, reportez-vous au guide d'installation de la caméra ou consultez www.axis.com/techsup.
12. Fixez le câble de sécurité du couvercle supérieur à la patte du couvercle inférieur.
13. Fermez le boîtier. Assurez-vous de serrer en alternance les vis du couvercle inférieur de quelques tours à la fois jusqu'à ce qu'elles soient toutes bien serrées (couple 1,5 Nm). Cela permettra de garantir que le joint du couvercle inférieur est comprimé de façon régulière.
14. Desserrez les vis de réglage du pare-soleil pour pouvoir l'ajuster et l'orienter dans la position souhaitée.

AVIS

Assurez-vous de ne pincer aucun câble à la fermeture du boîtier.

Commutateur de report de démarrage à froid

L'AXIS T92E20 est doté d'un contrôle de température froide, qui est activé en réglant le commutateur de report de démarrage à froid sur I (ON). Lorsqu'elle est activée, cette fonction contrôle le moment du redémarrage de la caméra après une coupure ou lors de la baisse des températures en dessous de 0 °C (32 °F) ; la caméra est d'abord chauffée à environ 0 °C (32 °F) avant de démarrer. Cela évite d'endommager les modèles de caméra comportant des pièces amovibles.

Note

Le commutateur doit être désactivé dans le cas des caméras sans aucune pièce amovible puisque cette fonction n'est pas requise. Reportez-vous au tableau de la *Installation de la caméra dans le boîtier* page 30

Instructions de nettoyage

AVIS

- Évitez d'utiliser des nettoyants abrasifs, des raclettes et/ou autres ustensiles de nettoyage qui risqueraient de rayer ou de griffer le revêtement.
 - Ne jamais nettoyer à l'aide d'un chiffon sec ou d'une éponge.
 - Ne jamais utiliser de lames de rasoir ou autres outils coupants, de détergents abrasifs ou fortement alcalins, de solvants, de benzène au plomb et de tétrachlorure de carbone.
1. Lavez délicatement la feuille pour éliminer la poussière et la saleté, reportez-vous au tableau suivant.

Comment supprimer :	Utilisez un chiffon en microfibres ou une éponge avec :
Poussière et saleté	Eau tiède ou détergent non abrasif
Forte accumulation de saleté ou taches de graisse	Essence minérale pure sans benzène (naphte de nettoyage ou essence légère)
Projections de colorant, de graisse ou résidus d'étanchéité	Éthanol, alcool isopropylique ou éther de pétrole et frottement délicat avant le traitement
Taches de rouille	Solution à 10 % d'acide oxalique

2. Rincez ensuite soigneusement à l'eau propre.
3. Pour éviter les taches d'eau, séchez complètement à l'aide d'une peau de chamois ou une éponge en cellulose.

Informations complémentaires

- Pour obtenir la version la plus à jour de ce document, voir axis.com
- Pour accéder à des formations et webinaires en ligne utiles, voir axis.com/academy

Informations sur la garantie

Pour plus d'informations sur la garantie du produit Axis et des informations connexes, rendez-vous sur axis.com/warranty.

Sicherheitsinformationen

Gefährdungsstufen

▲GEFAHR

Weist auf eine gefährliche Situation hin, welche, falls nicht verhindert, zu Tod oder schweren Verletzungen führen kann.

▲WARNUNG

Weist auf eine gefährliche Situation hin, welche, falls nicht verhindert, zu Tod oder schweren Verletzungen führen kann.

▲VORSICHT

Weist auf eine gefährliche Situation hin, welche, falls nicht verhindert, zu geringfügiger oder mäßiger Verletzung führen kann.

HINWEIS

Weist auf eine gefährliche Situation hin, welche, falls nicht verhindert, zu Sachschäden führen kann.

DE

Andere Meldeebenen

Wichtig

Weist auf wichtige Informationen hin, die den richtigen Betrieb des Produkts gewährleisten.

Beachten

Weist auf nützliche Informationen hin, die die optimale Verwendung des Produkts unterstützen.

Sicherheitsanweisungen

HINWEIS

- Das Axis Produkt muss unter Beachtung der geltenden Gesetze und Bestimmungen betrieben werden.
- Lagern Sie das Axis Produkt in einer trockenen und belüfteten Umgebung.
- Das Axis Produkt weder Stößen noch starkem Druck aussetzen.
- Das Produkt nicht an instabilen Masten, Halterungen, Oberflächen oder Wänden anbringen.
- Verwenden Sie bei der Installation des Axis Produkts ausschließlich passende Werkzeuge. Ein zu großer Kraftaufwand mit elektrischen Werkzeugen kann das Produkt beschädigen.
- Verwenden Sie keine chemischen, ätzenden oder aerosolhaltigen Reinigungsmittel.
- Verwenden Sie zum Reinigen ein sauberes, mit destilliertem Wasser angefeuchtetes Tuch.
- Verwenden Sie nur Zubehör, das den technischen Vorgaben Ihres Produkts entspricht. Dieses ist von Axis oder Drittanbietern erhältlich. Axis empfiehlt die mit Ihrem Produkt kompatible Stromversorgung von Axis.
- Verwenden Sie ausschließlich Ersatzteile die von Axis angeboten oder empfohlen werden.
- Versuchen Sie nicht, dieses Produkt selbsttätig zu reparieren. Wenden Sie sich bezüglich Reparatur und Wartung an den Axis Support oder Ihren Axis Händler.

Transport

HINWEIS

- Bei Bedarf transportieren Sie das Axis Produkt in der Originalverpackung oder einer entsprechenden Verpackung, so dass Schäden vermieden werden.

Installationsanleitung

In dieser Anleitung wird die Installation des AXIS T92E05-Schutzgehäuses und des AXIS T92E20-Außengehäuses beschrieben.

Anweisungen zur Installation der Kamera im Netzwerk finden Sie in der Installationsanleitung der Kamera. Weitere Informationen zur Kamera finden Sie im Benutzerhandbuch unter www.axis.com.

Installationsschritte

1. Stellen Sie sicher, dass die Packungsinhalte, Werkzeuge und andere notwendige Materialien für die Installation in Ordnung sind. Siehe *Seite 37*.
2. Machen Sie sich mit der Hardware-Übersicht vertraut. Siehe *Seite 38*.
3. Machen Sie sich mit den technischen Daten vertraut. Siehe *Seite 40*.
4. Installieren Sie die Hardware. Siehe *Seite 41*.

DE

Lieferumfang

- AXIS T92E05/T92E20-Gehäuse
- AXIS T94Q01A-Wandhalterung
- Netzkabel (nur AXIS T92E20)
- Torx T20-Schraubendreher oder T20-Inbusschlüssel
- Torx T30-Schraubenset
- Montagesatz für Halter
- Installationsanleitung (dieses Dokument)

Empfohlene Werkzeuge

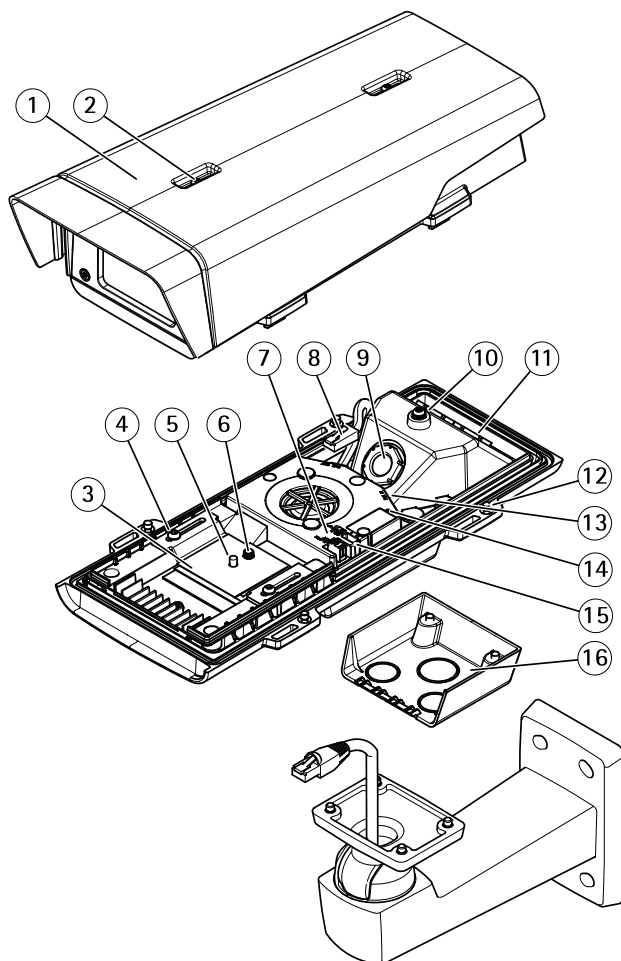
- Bohrer – bei Montage an Massivdecken
- Messer – bei Montage an Hängedecken
- Torx Schraubendreher T30 – bei Anwendung einer kompatiblen Halterung des AXIS T91A Montagezubehörs.

Optionales Zubehör

Eine vollständige Liste lieferbaren Zubehörs für dieses Produkt finden Sie auf axis.com unter Produkt, Software und Zubehör.

Übersicht über die Hardware

Gehäuse

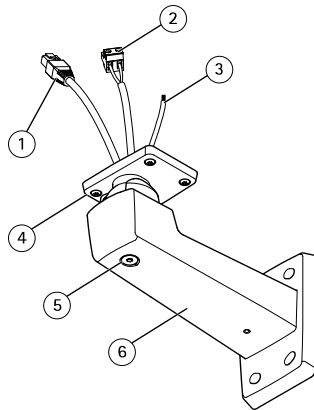


AXIS T92E20-Schutzgehäuse

1 Sonnenblende

- 2 Einstellschrauben für Sonnenblende (2x)
- 3 Halter
- 4 Halterungsschrauben (2x) und Unterlegscheiben (2x)
- 5 Stabilisierungsschraube
- 6 Schraube und Unterlegscheibe für Kamera
- 7 Alarmausgang
- 8 Netzkabel
- 9 Kabeldurchführung
- 10 Sicherheitsdrahtlasche
- 11 Kabeldurchführungen (2x)
- 12 Untere Abdeckung
- 13 Netzwerkanschluss (PoE IN)
- 14 Status-LED
- 15 Schalter für Kaltstart
- 16 Halterungsadapter

Wandmontage



- 1 Netzkabel (durch Wandhalterung führen)
- 2 Stromkabel (durch Wandhalterung führen) (für Produkte mit Stromanschluss)
- 3 Erdungskabel (durch Wandhalterung führen) (für Kameragehäuse mit Masseschraube)
- 4 Schraube T20 (4x)
- 5 Einstellschraube T30 für Halterung
- 6 Wandhalterung

AXIS T92E Housing Series

LED-Leuchten am Gehäuse

Beachten

Die in der nachfolgenden Tabelle beschriebene Gehäuse-LED befindet sich im Gehäuse.

Alarmereignisse werden durch den Eingangsport der Kamera ausgelöst.

Gehäuse-LED (Heizelement und Lüfter)	Bedeutung
Grün	Normaler Betrieb.
Grün blinkend	Einmaliges Blinken: Fehlfunktion des Heizelements Doppeltes Blinken: Fehlfunktion des Lüfters Dreifaches Blinken: Allgemeiner Fehler

Wenden Sie sich an Ihren Axis Händler, wenn Sie weitere Informationen zu Ersatzteilen und zur Fehlersuche benötigen.

Technische Daten

Funktion/ Gruppe	Artikel	Technische Daten
	Modelle	AXIS T92E05-Schutzgehäuse AXIS T92E20-Außengehäuse
Allgemeines	Gehäuse	Aluminiumgehäuse, Sonnenblende und Kabelabdeckung aus Polycarbonat. Schlagfestes Aluminiumgehäuse, zertifiziert gemäß IP66, NEMA 4X und IK10
	Betriebsbedingungen	AXIS T92E05: -20°C bis 55°C ¹ Luftfeuchtigkeit 15 bis 100 % (kondensierend) AXIS T92E20: -40°C bis 50°C ¹ Luftfeuchtigkeit 15 bis 100 % (kondensierend)
	Zulassungen	AXIS T92E05: IEC 60068-2-6, IEC 60068-2-27 AXIS T92E20: EN 55022 Klasse B, EN 61000-3-2, EN 61000-3-3, EN 55024, EN 61000-6-1, EN 61000-6-2, EN 60950-22, IEC 60068-2-6, IEC 60068-2-27, FCC

		Abschnitt 15, Teil B, Klasse B, VCCI, Klasse B ITE, C-tick AS/NZS CISPR 22, ICES-003, Klasse B, KCC Klasse B
	Abmessungen (HxBxT)	120 x 161 x 404 mm
	Gewicht	AXIS T92E05: 2,4 kg AXIS T92E20: 2,5 kg

- Die Betriebstemperaturen können je nach Kameramodell variieren. Informationen hierzu finden Sie im Benutzerhandbuch unter www.axis.com

DE

Die Hardware installieren

HINWEIS

- Aufgrund örtlicher Vorschriften oder der Umgebungsbedingungen und elektrischen Bedingungen, unter denen das Produkt verwendet wird, kann ein abgeschirmtes Netzkabel (STP) empfehlenswert oder notwendig sein. Alle Netzkabel des Produkts, die im Außenbereich oder in anspruchsvollen elektrischen Umgebungen verlegt werden, müssen hierfür ausgelegt sein. Stellen Sie sicher, dass die Netzwerkgeräte gemäß den Anweisungen des Herstellers installiert wurden.

(AXIS T92E05) Informationen zu gesetzlichen Bestimmungen finden Sie in der Installationsanleitung der Kamera.

(AXIS T92E20) Informationen zu gesetzlichen Bestimmungen finden Sie unter .

- Vermeiden Sie Kratzer, Beschädigungen oder Fingerabdrücke am Fenster, da dies die Bildqualität beeinträchtigen kann.

Bei der Installation des Axis Produkts können die Kabel durch die Wand oder an der Wand entlang geführt werden.

Lesen Sie die Anweisungen, bevor Sie das Produkt installieren:

- Montieren Sie die Wandhalterung. Siehe *Montage der Wandhalterung auf Seite 41*. Ausführliche Anweisungen finden Sie in der beiliegenden Installationsanleitung für die Wandhalterung oder unter www.axis.com.
- Befestigen Sie das Gehäuse an der Wandhalterung. Siehe *Befestigen des Gehäuses an der Wandhalterung auf Seite 42*.
- Bauen Sie die Kamera in das Gehäuse ein. Siehe *Einbauen der Kamera in das Gehäuse auf Seite 44*.

Montage der Wandhalterung

▲VORSICHT

Stellen Sie sicher, dass Sie die für das Material (z. B. Holz, Metall, Gipskarton, Stein) geeigneten Schrauben und Dübel verwenden und das Material stabil genug ist, um das Gesamtgewicht von Kamera, Gehäuse und Wandhalterung zu tragen.

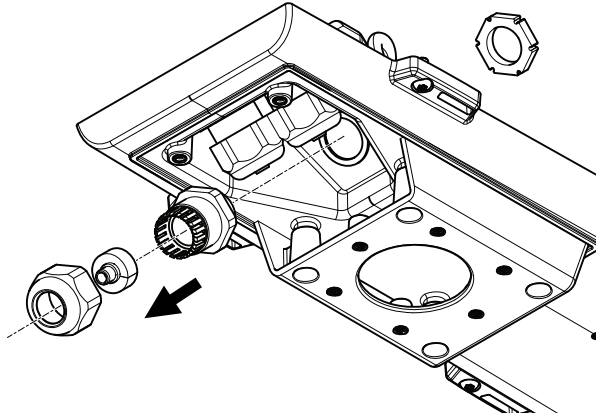
Beachten

- Weitere Informationen finden Sie in der beiliegenden Installationsanleitung für die Wandhalterung oder unter www.axis.com.
 - Die technischen Daten der Anschlüsse finden Sie im Benutzerhandbuch der Kamera unter www.axis.com.
1. Bereiten Sie die Wand für die Installation der Wandhalterung vor. Markieren Sie vor dem Bohren die Bohrlöcher mit der Wandhalterung als Vorlage.
 2. Führen Sie das Netzkabel und ggf. das Netzteil durch die Wandhalterung. Lassen Sie zum Anschließen der Kamera ca. 30 cm Kabel frei.
 3. Wenn das Kameragehäuse über eine Masseschraube verfügt, führen Sie ein Erdungskabel durch die Wandhalterung. Lassen Sie zum Anschließen des Gehäuses ca. 15 cm Kabel frei.
 4. Wenn Sie ein zusätzliches Gerät an die Kamera anschließen, z. B. ein E/A- oder Audiogerät bzw. ein externes Netzteil, wiederholen Sie die oben aufgeführten Schritte für jedes Gerät.
 5. Befestigen Sie die Wandhalterung an der Wand, indem Sie die Schrauben festziehen.

Befestigen des Gehäuses an der Wandhalterung

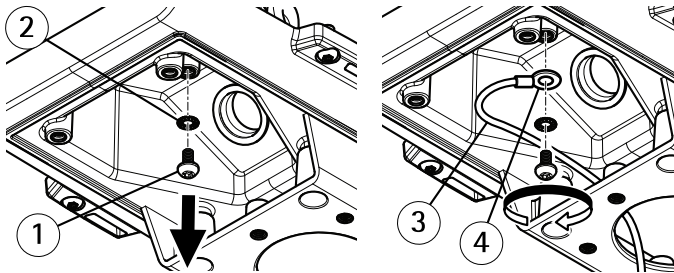
HINWEIS

- Wenn eine andere Kabeldichtung als die mitgelieferte verwendet wird, kann Wasser eindringen und das Produkt beschädigen. Unter www.axis.com finden Sie Informationen zu Kabeldichtungen und Kabelverschraubungen für andere Kabelbereiche.
 - Wird mehr als ein Kabel verwendet, muss jedes Kabel durch eine separate Kabeldichtung geführt werden.
 - Öffnen Sie bei den verwendeten Kabeldichtungen nur ein Loch. Wenn eine Kabeldichtung eingerissen ist, ersetzen Sie diese durch eine neue. Wenn eine Kabeldichtung geöffnet bleibt oder eine eingerissene Kabeldichtung verwendet wird, kann Wasser eindringen und das Produkt beschädigen.
1. Lösen Sie die Schrauben an der unteren Abdeckung und heben Sie die obere Abdeckung an.
 2. Lösen Sie die Schrauben der Kabelabdeckung und nehmen Sie die Kabelabdeckung von der unteren Abdeckung ab.

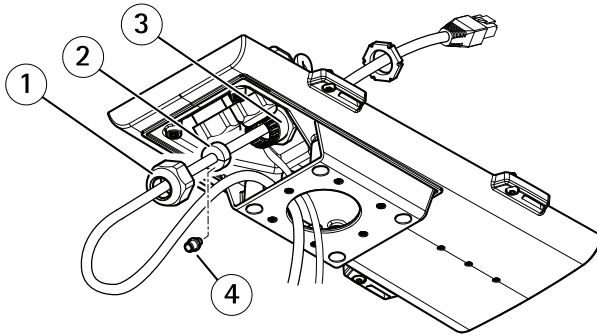


DE

3. Entfernen Sie die Kappe, den Stopfen und die Dichtung aus der Kabelverschraubung, die verwendet werden soll.
4. Entfernen Sie die Masseschraube, die Unterlegscheibe und den Ringkabelschuh.
5. Befestigen Sie den Ringkabelschuh des Erdungskabels mithilfe einer Unterlegscheibe und der Masseschraube.



1. Führen Sie das Netzkabel durch die Kappe.
2. Führen Sie das Netzkabel durch den Schlitz in der Dichtung, um die Dichtung am Netzkabel zu fixieren.
3. Führen Sie das Netzkabel durch die Kabelverschraubung.



- 1 Kappe
- 2 Dichtung
- 3 Kabelverschraubung
- 4 Stopfen (entsorgen)

4. Drücken Sie die Dichtung in die Kabelverschraubung und schrauben Sie die Kappe fest.

HINWEIS

Falls ein anderes Kabel als das mitgelieferte verwendet wird, müssen Sie ein abgeschirmtes Netzkabel mit einer Dichtung vorbereiten. Führen Sie das Kabel vorsichtig durch die mitgelieferte Dichtung und bringen Sie einen Netzstecker am Kabel an. Möglicherweise müssen Sie mit dem mitgelieferten Schraubendreher ein Loch in die Dichtung stechen.

HINWEIS

Bringen Sie den Netzstecker an, nachdem das Kabel durch die Kabeldichtung geführt wurde.

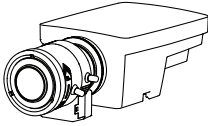
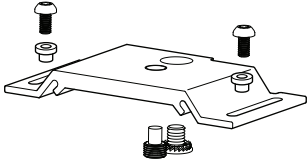
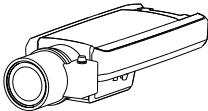
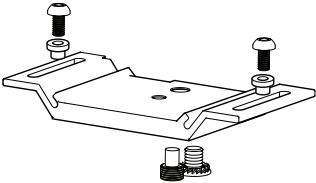
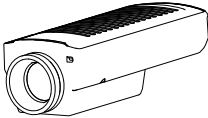
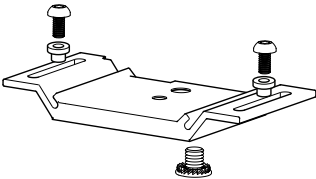
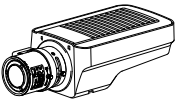
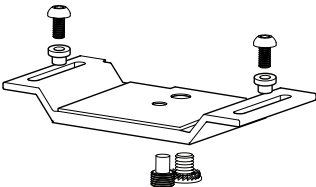
5. Wenn Sie ein zusätzliches Gerät an die Kamera anschließen, z. B. ein E/A- oder Audiogerät bzw. ein externes Netzteil, wiederholen Sie die oben aufgeführten Schritte für jedes Gerät.
6. Setzen Sie die untere Abdeckung auf die Wandhalterung und ziehen Sie die Schrauben fest (Drehmoment 2 Nm).

Einbauen der Kamera in das Gehäuse

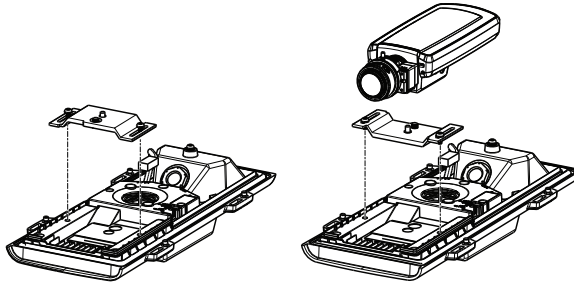
1. Lösen Sie die Schrauben und Unterlegscheiben des Halters und nehmen Sie den Halter ab.
2. Befestigen Sie die Kamera mit den Schrauben am Halter, wie in den folgenden Abbildungen und der Tabelle dargestellt. Ziehen Sie die Stabilisierungsschraube nur leicht an und ziehen Sie die Kameraschraube mit einem Drehmoment von 2 Nm fest. Achten Sie darauf, dass Sie die Schrauben nicht überdrehen.

AXIS T92E Housing Series

DE

Kameramodell	AXIS T92E05/AXIS T92E20	AXIS T92E20	
	Halterposition und Befestigungsmittel	E/A-Kabel	Kaltstartverzögerung
		Nr.	Aus (0)
		Ja	Aus (0)
		Ja	Aus (I)
		Ja	Aus (I)

AXIS T92E Housing Series



3. Wenn Sie externe bzw. Eingabegeräte, Audiogeräte oder eine externes Netzteil an die Kamera anschließen, gehen Sie dabei entsprechend der Anweisungen in der Installationsanleitung der Kamera vor.
4. Schließen Sie ggf. das im Außengehäuse vormontierte Netzwerk- bzw. E/A-Kabel an die Kamera an.
5. Bringen Sie den Halter an der unteren Abdeckung an. Gleichen Sie die Position des Halters vorsichtig an und ziehen Sie die Schrauben des Halters mit den Unterlegscheiben fest (Drehmoment 0,5 Nm). Halten Sie einen ausreichenden Abstand (etwa 5 bis 10 mm) vom Kameraobjektiv zur Vorderseite des inneren Kunststoffgehäuses ein, sodass die obere Abdeckung passt, ohne das Objektiv zu zerkratzen.
6. Wenn Sie eine SD-Karte als lokalen Speicher verwenden, schieben Sie die Karte in den SD-Karteneinschub der Kamera.
7. Schließen Sie das externe Netzkabel an den Netzwerkanschluss (PoE IN) an.
8. Schieben Sie ggf. den Kaltstartverzögerungsschalter in die richtige Position. Weitere Informationen hierzu finden Sie in der Tabelle auf der Seite *Seite 44* und unter *Schalter für Kaltstartverzögerung auf Seite 47*.
9. Überprüfen Sie ggf., ob die Status-LEDs am Gehäuse die Betriebszustände korrekt angeben. Siehe *LED-Leuchten am Gehäuse auf Seite 40*.
10. Vergewissern Sie sich, dass die Kamera-LEDs die richtigen Bedingungen anzeigen. Weitere Informationen finden Sie in der Installationsanleitung für die Kamera.
11. Lösen Sie die Einstellschraube der Halterung, und richten Sie die Kamera auf das gewünschte Ziel aus. Informationen zum Anzeigen des Videostreams finden Sie in der Installationsanleitung der Kamera oder unter www.axis.com/techsup.
12. Befestigen Sie den Sicherheitsdraht der oberen Abdeckung an der Lasche an der unteren Abdeckung.
13. Schließen Sie das Gehäuse. Ziehen Sie die Schrauben der unteren Abdeckung im Wechsel jeweils wenige Umdrehungen an, bis sie fest sitzen (Drehmoment 1,5 Nm). Auf diese Weise wird sichergestellt, dass die Dichtung der unteren Abdeckung gleichmäßig sitzt.
14. Lösen Sie die Einstellschrauben der Sonnenblende und richten Sie die Sonnenblende in gewünschter Position aus.

HINWEIS

Stellen Sie sicher, dass beim Schließen des Gehäuses keine Kabel eingeklemmt werden.

Schalter für Kaltstartverzögerung

AXIS T92E20 ist mit der Funktion „Arctic Temperature Control“ (Steuerung bei arktischen Temperaturen) ausgestattet, die durch das Einstellen des Kaltstartverzögerungsschalters auf „I (EIN)“ aktiviert wird. Wenn diese Funktion aktiviert ist und die Kamera nach einer Stromunterbrechung bei Temperaturen unter 0 °C neu gestartet werden muss, wird die Kamera zunächst auf etwa 0 °C aufgeheizt, bevor die Initialisierung gestartet wird. Damit wird verhindert, dass Kameramodelle mit beweglichen Teilen beschädigt werden.

Beachten

Da die Funktion für Kameramodelle ohne bewegliche Teile nicht benötigt wird, sollte sie für diese Modelle deaktiviert werden, siehe *Einbauen der Kamera in das Gehäuse auf Seite 44*

Reinigungsanweisungen

HINWEIS

- Verwenden Sie keine Scheuermittel, Abstreifer und/oder andere Reinigungsgeräte, die die Beschichtung zerkratzen oder angreifen könnten.
 - Verwenden Sie zur Reinigung kein trockenes Tuch und keinen trockenen Schwamm.
 - Verwenden Sie keine Rasierklingen oder andere scharfkantigen Gegenstände sowie keine scheuernden oder stark alkalischen Reinigungsmittel bzw. Lösungsmittel sowie kein bleihaltiges Benzin und keinen Tetrachlorkohlenstoff.
1. Lösen Sie den Schmutz durch vorsichtiges Abwaschen. Beachten Sie die folgende Tabelle.

Entfernen von	Verwenden Sie ein Mikrofasertuch oder einen Schwamm mit
Staub oder Schmutz	lauwarmem Wasser und nicht-scheuerndem Reinigungsmittel
Größere Schmutz- oder Fettflecken	benzolfreiem Reinbenzin (Reinigungs- oder Leichtbenzin)
Farbspritzer, Fett oder Dichtungsreste	Ethylalkohol, Isopropylalkohol oder Petroläther; die Verschmutzung sollte vor dem Antrocknen durch sanftes Abreiben entfernt werden
Rostflecken	10-prozentige Oxalsäure-Lösung

2. Spülen Sie anschließend sorgfältig mit klarem Wasser nach.

AXIS T92E Housing Series

3. Verwenden Sie beim sorgfältigen Trocknen ein Fensterleder oder einen Zellstoffschwamm, um Wasserflecken zu vermeiden.

Weitere Informationen

- Die aktuelle Version dieses Dokuments finden Sie auf axis.com
- Nützliches Onlinetraining und Webinare finden Sie unter axis.com/academy.

Gewährleistungsinformationen

Informationen zur Gewährleistung für Axis-Produkte und andere in diesem Zusammenhang relevante Informationen finden Sie unter axis.com/warranty.

Informazioni di sicurezza

Livelli di pericolo

▲PERICOLO

Indica una situazione pericolosa che, se non evitata, provoca morte o lesioni gravi.

▲AVVERTENZA

Indica una situazione pericolosa che, se non evitata, potrebbe provocare la morte o lesioni gravi.

▲ATTENZIONE

Indica una situazione pericolosa che, se non evitata, potrebbe provocare lesioni medie o minori.

AVVISO

Indica una situazione che, se non evitata, potrebbe danneggiare la proprietà.

IT

Altri livelli di messaggio

Importante

Indica informazioni importanti, essenziali per il corretto funzionamento del dispositivo.

Nota

Indica informazioni utili che aiutano a ottenere il massimo dal dispositivo.

AXIS T92E Housing Series

Informazioni di sicurezza

AWISO

- Il dispositivo Axis deve essere utilizzato in conformità alle leggi e alle normative locali.
- Conservare il dispositivo Axis in un ambiente asciutto e ventilato.
- Evitare di esporre il dispositivo Axis a urti o pressioni eccessive.
- Non installare il dispositivo su supporti, superfici, pareti o pali instabili.
- Utilizzare solo strumenti applicabili quando si installa il dispositivo Axis. Se si utilizza una forza eccessiva con strumenti non adatti è possibile causare danni al dispositivo.
- Non utilizzare sostanze chimiche, agenti caustici o detergenti aerosol.
- Utilizzare un panno pulito inumidito in acqua pura per la pulizia.
- Utilizzare solo accessori compatibili con le specifiche tecniche del dispositivo. Questi possono essere forniti da Axis o da terze parti. Axis consiglia l'uso dell'apparecchiatura di alimentazione Axis compatibile con il dispositivo.
- Utilizzare solo parti di ricambio fornite o consigliate da Axis.
- Non tentare di riparare il dispositivo da soli. Contattare l'assistenza o il rivenditore Axis per questioni relative alla manutenzione.

Trasporto

AWISO

- Durante il trasporto del dispositivo Axis, utilizzare l'imballaggio originale o equivalente per evitare danni al dispositivo.

Guida all'installazione

Questa guida di installazione consente di installare l'alloggiamento di protezione AXIS T92E05 e la custodia per esterni AXIS T92E20.

Per installare la telecamera in rete, consultare la guida all'installazione in dotazione al dispositivo. Per altre informazioni sull'utilizzo della telecamera, consultare la guida per l'utente sul sito www.axis.com

Procedura di installazione

1. Assicurarsi che il contenuto della confezione, gli strumenti e altri materiali necessari per l'installazione siano in ordine. Consultare *pagina 51*.
2. Studiare la descrizione dell'hardware. Consultare *pagina 52*.
3. Studiare le specifiche. Consultare *pagina 54*.
4. Installazione dell'hardware. Consultare *pagina 55*.

IT

Contenuto della confezione

- Custodia AXIS T92E05/T92E20
- Supporto per montaggio a parete AXIS T94Q01A
- Cavo di rete (solo AXIS T92E20)
- Cacciavite Torx (T20) o chiave Allen (T20)
- Punta da cacciavite Torx (T30)
- Kit di montaggio del supporto
- Guida all'installazione (questo documento)

Strumenti raccomandati

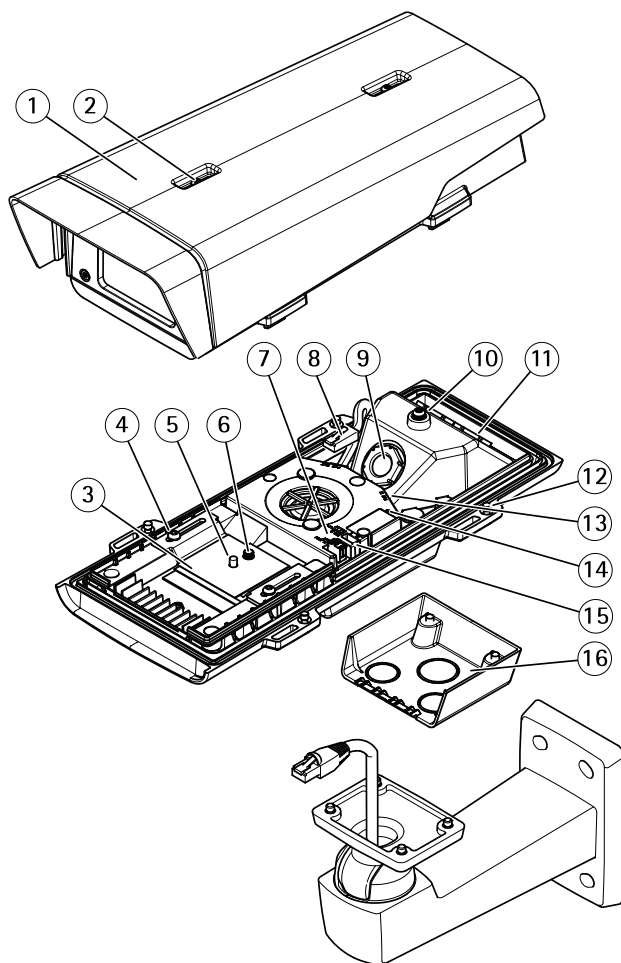
- Trapano – se si utilizza il kit di montaggio a soffitto
- Coltello – se si utilizza il kit di montaggio a controsoffitto
- Cacciavite Torx T30 – se si utilizza una staffa compatibile da accessori di montaggio di AXIS T91A

Accessori opzionali

Per un elenco completo degli accessori disponibili per questo dispositivo, andare alla pagina del dispositivo al sito axis.com e selezionare Software e accessori.

Panoramica dell'hardware

Custodia

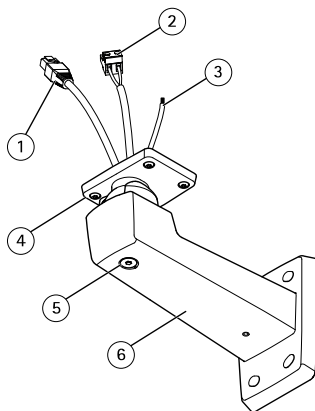


Custodia protettiva AXIS T92E20

1 Parasole

- 2 *Vite di regolazione e rondella (2x)*
- 3 *Supporto*
- 4 *Viti del supporto (2x) e flange della rondella (2x)*
- 5 *Vite di stabilizzazione*
- 6 *Vite della telecamera e rondella*
- 7 *Uscita allarme*
- 8 *Cavo di rete*
- 9 *Foro per il cavo*
- 10 *Linguetta per il cavo di sicurezza*
- 11 *Fori dei cavi (2x)*
- 12 *Base inferiore*
- 13 *Connettore di rete (PoE IN)*
- 14 *LED di stato*
- 15 *Interruttore per l'avvio a freddo*
- 16 *Adattatore per staffa*

Montaggio a parete



- 1 *Cavo di rete (da instradare attraverso la staffa a parete)*
- 2 *Cavo di alimentazione (da instradare attraverso la staffa a parete) (per dispositivi dotati di connettore di alimentazione)*
- 3 *Cavo di messa a terra (da instradare attraverso la staffa a parete) (per le custodie delle telecamere dotate di vite di messa a terra)*
- 4 *Vite T20 (4x)*
- 5 *Vite di regolazione della staffa T30*
- 6 *Montaggio a parete*

AXIS T92E Housing Series

Indicatori LED dell'alloggiamento

Nota

Il LED dell'alloggiamento a cui si fa riferimento nella tabella in basso è posizionato nell'alloggiamento.

Gli eventi di allarme vengono attivati attraverso la porta di input della telecamera.

LED dell'alloggiamento (ventola e riscaldatore)	Indicazione
Verde	Normale utilizzo.
Luce lampeggiante verde	Lampeggio singolo: Errore riscaldatore Lampeggio doppio: Errore ventola Lampeggio triplo: Errore generale

Contattare il proprio rivenditore Axis per informazioni su pezzi di ricambio e risoluzione dei problemi.

Dati tecnici

Funzione/ gruppo	Elemento	Specifica
	Modelli	Custodia protettiva AXIS T92E05 Custodia per esterni AXIS T92E20
Caratteristiche generali	Custodia	Custodia in alluminio, parasole in policarbonato e coperchio dei cavi. Struttura in di alluminio resistente agli urti IK10 di classe IP66 e NEMA 4X
	Condizioni di funzionamento	AXIS T92E05: da -20°C a 55°C ¹ Umidità: 15 - 100% (con condensa) AXIS T92E20: Da -40°C a 50°C ¹ Umidità: 15 - 100% (con condensa)
	Approvazioni	AXIS T92E05: IEC 60068-2-6, IEC 60068-2-27 AXIS T92E20: EN 55022 Classe B, EN 61000-3-2, EN 61000-3-3, EN 55024, EN 61000-6-1, EN 61000-6-2, EN 60950-22, IEC 60068-2-6, IEC 60068-2-27, FCC Parte 15, Sottosezione B, Classe B, VCCI, Classe B ITE, C-tick AS/NZS CISPR 22, ICES-003, Classe B, KCC Classe B

	Dimensioni (AxLxP)	120 x 161 x 404 mm
	Peso	AXIS T92E05: 2,4 kg AXIS T92E20: 2,5 kg

1. Le temperature di funzionamento possono variare in funzione della telecamera, consultare la Guida per l'utente, disponibile sul sito www.axis.com

Installazione dell'hardware

AVVISO

- A causa delle normative locali o condizioni ambientali ed elettriche, è consigliabile utilizzare un cavo di rete schermato (STP). Tutti i cavi di rete del dispositivo posizionati all'aperto o in ambienti elettrici in condizioni difficili sono destinati al loro uso specifico. Verificare che i dispositivi di rete siano installati secondo le istruzioni del produttore.

(AXIS T92E05) Per maggiori informazioni sui requisiti normativi, consultare la guida all'installazione della telecamera.

(AXIS T92E20) Per maggiori informazioni sui requisiti normativi, consultare .

- Non graffiare, danneggiare o lasciare impronte digitali sulla finestra per preservare la qualità dell'immagine.

È possibile installare il dispositivo Axis instradando i cavi attraverso o lungo la parete.

Leggere tutte le istruzioni prima di installare il prodotto:

1. Installazione del supporto per il montaggio a parete. Consultare *Installazione del supporto per il montaggio a parete alla pagina 55*. Per istruzioni dettagliate, consultare la guida all'installazione del supporto di montaggio a parete presente nella confezione o visitare l'indirizzo www.axis.com
2. Montare l'alloggiamento al supporto a parete. Consultare *Montare la custodia al supporto a parete alla pagina 56*.
3. Installare la telecamera nella custodia. Consultare *Installare la telecamera nella custodia alla pagina 58*.

Installazione del supporto per il montaggio a parete

ATTENZIONE

Verificare che le viti e i tasselli siano adatti al materiale della parete (es. legno, metallo, cartongesso, pietra) e che il materiale sia in grado di sostenere telecamera, custodia e supporto per il montaggio a parete.

Nota

- Per informazioni, consultare anche la guida all'installazione del supporto di montaggio a parete presente nella confezione e disponibile all'indirizzo www.axis.com
- Per le specifiche tecniche dei connettori, consultare la guida per l'utente della telecamera sul sito www.axis.com

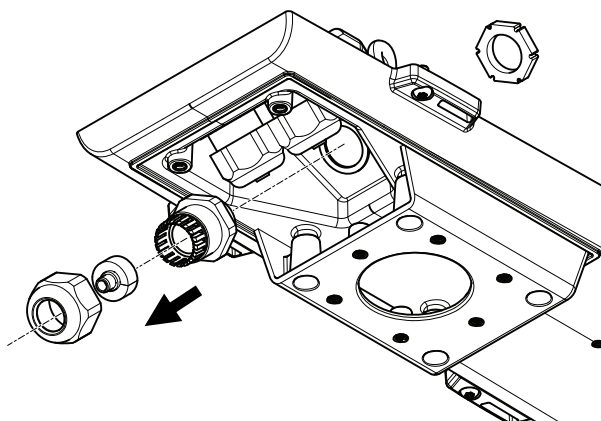
AXIS T92E Housing Series

1. Preparare la parete per l'installazione del supporto. Utilizzare il supporto per il montaggio a parete come profilo e contrassegnare i punti da trapanare.
2. Inserire il cavo di rete e, se necessario, il cavo di alimentazione attraverso la staffa per il montaggio a parete. Lasciare circa 30 cm di cavo per il collegamento alla telecamera.
3. Se l'alloggiamento della telecamera ha una vite di messa a terra, passare un cavo di messa a terra attraverso la staffa a parete. Lasciare circa 15 cm di cavo per il collegamento all'alloggiamento.
4. In caso di connessione di un dispositivo (es. di I/O, audio o alimentazione esterna) alla telecamera, ripetere il passaggio precedente (se consentito per il dispositivo in questione).
5. Fissare la staffa alla parete serrando le viti.

Montare la custodia al supporto a parete

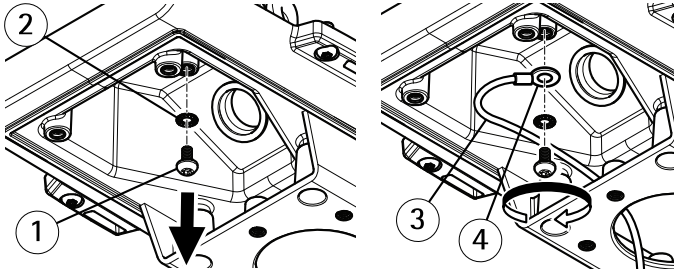
AVISO

- L'utilizzo di una guarnizione per cavi diversa da quella in dotazione può causare infiltrazioni d'acqua e danni al prodotto. Per informazioni sulle guarnizioni per cavi e i pressacavi adatti per altre aree dei cavi, visitare il sito Web www.axis.com.
 - Utilizzando più di un cavo, instradare ciascun cavo attraverso una guarnizione separata.
 - Aprire un foro solo nelle guarnizioni utilizzate e sostituirle in caso di danno. Una guarnizione per cavi aperta o danneggiata potrebbe causare infiltrazioni d'acqua nel prodotto e gravi danni.
1. Allentare le viti della base inferiore e sollevare la parte superiore.
 2. Allentare le viti della base del cavo; rimuoverlo da quello inferiore.

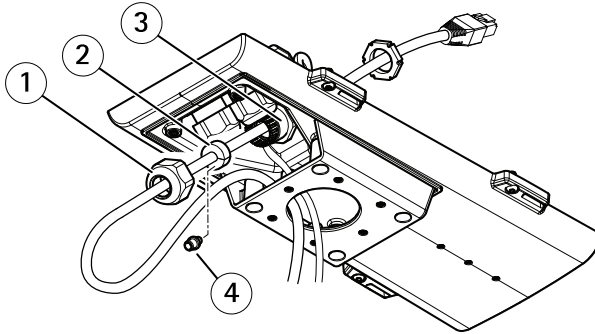


3. Rimuovere il cappuccio, la spina e la guarnizione dal pressacavo che deve essere utilizzato.
4. Rimuovere la vite della messa a terra, la rondella e l'anello di capocorda di messa a terra.

5. Fissare la rondella e il cavo di messa a terra dell'anello di capocorda con la vite della messa a terra.



1. Passare il cavo di rete attraverso il cappuccio.
2. Far scorrere il cavo di rete attraverso la scanalatura sulla guarnizione per attaccare quest'ultima al cavo di rete.
3. Passare il cavo di rete attraverso il pressacavo.



- 1 *Cappuccio*
- 2 *Guarnizione*
- 3 *Pressacavo*
- 4 *Tassello (da scartare)*

4. Premere la guarnizione nel pressacavo e fissare saldamente il cappuccio.

AVISO

Se si utilizza un cavo diverso da quello fornito, sul cavo di rete schermato è necessario montare una guarnizione. Spingere delicatamente il cavo nella guarnizione fornita e fissarlo ad un connettore di rete. Può talvolta essere necessario forare la guarnizione con il cacciavite fornito.

AXIS T92E Housing Series

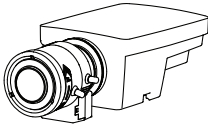
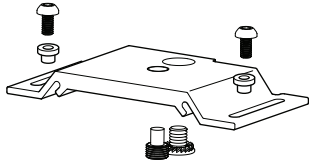
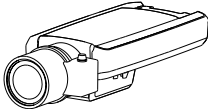
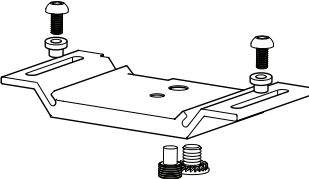
AWISO

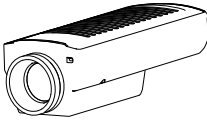
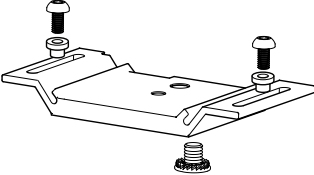
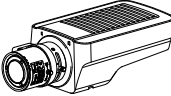
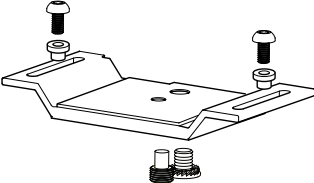
Montare la morsettiera di alimentazione dopo aver spinto il cavo attraverso la guarnizione del cavo.

5. In caso di connessione di un dispositivo (es. di I/O, audio o alimentazione esterna) alla telecamera, ripetere i passaggi precedenti (se consentito per il dispositivo in questione).
6. Inserire il coperchio inferiore sul supporto per il montaggio a parete e serrare le viti (con una coppia di 2 Nm).

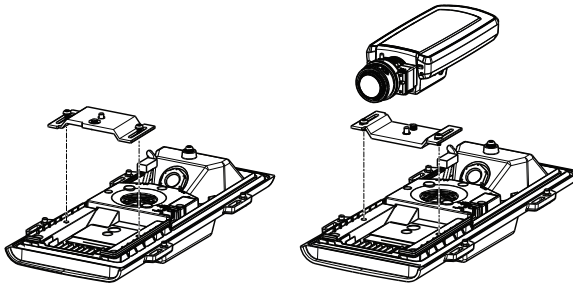
Installare la telecamera nella custodia

1. Allentare le rondelle e le viti del supporto e rimuovere il supporto.
2. Fissare la telecamera al supporto con le viti, come mostrato nelle illustrazioni e nella tabella che seguono. Serrare leggermente la vite stabilizzatrice e serrare la vite della telecamera a 2 Nm. Non serrare le viti in maniera eccessiva.

Modello di telecamera	AXIS T92E05/AXIS T92E20	AXIS T92E20	
	Posizione del supporto e dei fissaggi	Cavo di I/O	Interruttore di ritardo per l'avvio a freddo
		No	Off (0)
		Si	Off (0)

		Sì	Off (I)
		Sì	Off (I)

IT



3. In caso di connessione di un dispositivo (es. di input o esterno, audio o alimentazione esterna) alla telecamera, rispettare le istruzioni indicate nella guida all'installazione della telecamera.
4. Se applicabile, connettere alla telecamera il cavo di rete interno e il cavo di I/O, preinstallati nell'alloggiamento per esterni.
5. Fissare il supporto al coperchio inferiore. Regolare con cura la posizione del supporto e serrare le viti comprese le rondelle (torsione di 0,5 Nm). Lasciare una distanza sufficiente, circa 5-10mm, tra l'obiettivo della telecamera e l'estremità anteriore dell'alloggiamento interno in plastica, in modo che la copertura superiore possa essere montata senza graffiare l'obiettivo.
6. Se si utilizza una scheda SD per l'archiviazione locale, inserirla nell'apposito slot della telecamera.
7. Collegare il cavo di rete esterno a PoE IN.

8. Se applicabile, impostare nella posizione corretta l'interruttore di ritardo per l'avvio a freddo, vedere la tabella alla pagina *pagina 58* e *Interruttore di ritardo per l'avvio a freddo alla pagina 60*.
9. Verificare che i LED di stato della custodia indichino le condizioni di funzionamento corrette. Consultare *Indicatori LED dell'alloggiamento alla pagina 54*.
10. Verificare che i LED della telecamera indichino le corrette condizioni. Consultare la guida all'installazione della telecamera.
11. Allentare le viti di regolazione della staffa per orientare la telecamera verso il punto desiderato. Per informazioni sulla visualizzazione del flusso video, consultare la guida all'installazione della telecamera o visitare il sito www.axis.com/techsup
12. Fissare il cavo di sicurezza del coperchio superiore alla linguetta del coperchio inferiore.
13. Chiudere la custodia. Girare le viti del coperchio inferiore in maniera alternata fino a quando non saranno tutte serrate (con una coppia di 1,5 Nm). In questo modo è possibile comprimere la guarnizione del coperchio inferiore in modo uniforme.
14. Allentare le viti di regolazione del parasole e regolarlo nella posizione desiderata.

AWISO

Verificare che i cavi non restino incastrati durante la chiusura della custodia.

Interruttore di ritardo per l'avvio a freddo

Il modello AXIS T92E20 è dotato di Arctic Temperature Control, che viene abilitato impostando su I (ON) l'interruttore di ritardo per l'avvio a freddo. Quando è abilitata, questa funzione controlla il riavvio della telecamera dopo una mancanza di corrente, quando le temperature sono inferiori a 0 °C; la telecamera viene prima riscaldata a circa 0 °C prima di essere inizializzata. Questo evita danni ai modelli di telecamera che contengono parti in movimento.

Nota

L'interruttore dovrebbe essere disabilitato per le telecamere senza parti in movimento, poiché non richiedono questa funzione, vedere *Installare la telecamera nella custodia alla pagina 58*

Istruzioni per la pulizia

AWISO

- Evitare l'uso di detersivi abrasivi, spazzole e/o altri strumenti di pulizia che possono graffiare o scalfire il rivestimento.
 - Non pulire con un panno asciutto o una spugna.
 - Non usare lame di rasoio o altri strumenti affilati, detersivi abrasivi o fortemente alcalini, solventi, benzene con piombo tetracloruro di carbonio.
1. Lavare delicatamente la scheda per rimuovere polvere e sporizia, vedi tabella in basso.

Procedura di rimozione:	Usare un panno in microfibra o una spugna con:
Povere o sporczia	Acqua tiepida o detersivo non abrasivo
Accumulo di unto o macchie di grasso	Benzina pura senza benzene (benzina leggera o nafta del detersivo)
Schizzi di colorante, grasso o residui	Alcool etilico, alcool isopropilico o etere di petrolio e sfregamento delicato prima dell'indurimento
Macchie di ruggine	Soluzione al 10% di acido ossalico

2. Sciacquare con cura con acqua tiepida.
3. Per evitare le macchie d'acqua, asciugare accuratamente con un panno di camoscio o una spugna di cellulosa.

IT

Ulteriori Informazioni

- Per la versione più recente di questo documento, visitare il sito all'indirizzo axis.com
- Per servizi di formazione utili e webinar, visita il sito axis.com/academy

Informazioni sulla garanzia

Per informazioni sulla garanzia del dispositivo Axis e informazioni ad esso relative, consultare la pagina axis.com/warranty.

Información de seguridad

Niveles de peligro

▲PELIGRO

Indica una situación peligrosa que, si no se evita, provocará lesiones graves o la muerte.

▲ADVERTENCIA

Indica una situación peligrosa que, si no se evita, puede provocar lesiones graves o la muerte.

▲ATENCIÓN

Indica una situación peligrosa que, si no se evita, puede provocar lesiones moderadas o leves.

AVISO

Indica una situación peligrosa que, si no se evita, puede provocar daños materiales.

ES

Otros niveles de mensaje

Importante

Indica información importante que es fundamental para que el producto funcione correctamente.

Nota

Indica información útil que ayuda a aprovechar el producto al máximo.

Instrucciones de seguridad

AVISO

- Este producto de Axis debe utilizarse de acuerdo con las leyes y normativas locales.
- Almacene el producto de Axis en un entorno seco y ventilado.
- Evite la exposición del producto de Axis a choques o a una fuerte presión.
- No instale el producto en postes, soportes, superficies o paredes inestables.
- Utilice solo las herramientas correspondientes cuando instale el producto de Axis. La aplicación de una fuerza excesiva con herramientas eléctricas puede provocar daños en el producto.
- No utilice limpiadores en aerosol, agentes cáusticos ni productos químicos.
- Limpie con un paño limpio humedecido con agua pura.
- Utilice solo accesorios que cumplan con las especificaciones técnicas de su producto. Estos accesorios los puede proporcionar Axis o un tercero. Axis recomienda utilizar un equipo de suministro de alimentación de Axis compatible con su producto.
- Utilice solo piezas de repuesto proporcionadas o recomendadas por Axis.
- No intente reparar el producto usted mismo. Póngase en contacto con el servicio de asistencia técnica de Axis o con su distribuidor de Axis para tratar asuntos de reparación.

Transporte

AVISO

- Cuando transporte el producto de Axis, utilice el embalaje original o un equivalente para evitar daños en el producto.

Guía de instalación

Esta Guía de instalación ofrece instrucciones para la instalación de la carcasa de protección AXIS T92E05 y la carcasa para exteriores AXIS T92E20.

Para instalar la cámara en la red, consulte la Guía de instalación proporcionada con la cámara. Para conocer más detalles acerca de la cámara, consulte el Manual del usuario disponible en www.axis.com.

Pasos de la instalación

1. Asegúrese de que dispone del contenido del paquete, las herramientas y los demás materiales necesarios para la instalación. *Vea página 65.*
2. Estudie la información general del hardware. *Vea página 66.*
3. Estudie las especificaciones. *Vea página 68.*
4. Instale el hardware. *Vea página 69.*

ES

Contenido del paquete

- Carcasa AXIS T92E05/T92E20
- Montaje en pared AXIS T94Q01A
- Cable de red (solo AXIS T92E20)
- Destornillador Torx (T20) o llave Allen (T20)
- Broca Torx (T30)
- Kit de montaje de soporte
- Guía de instalación (este documento)

Herramientas recomendadas:

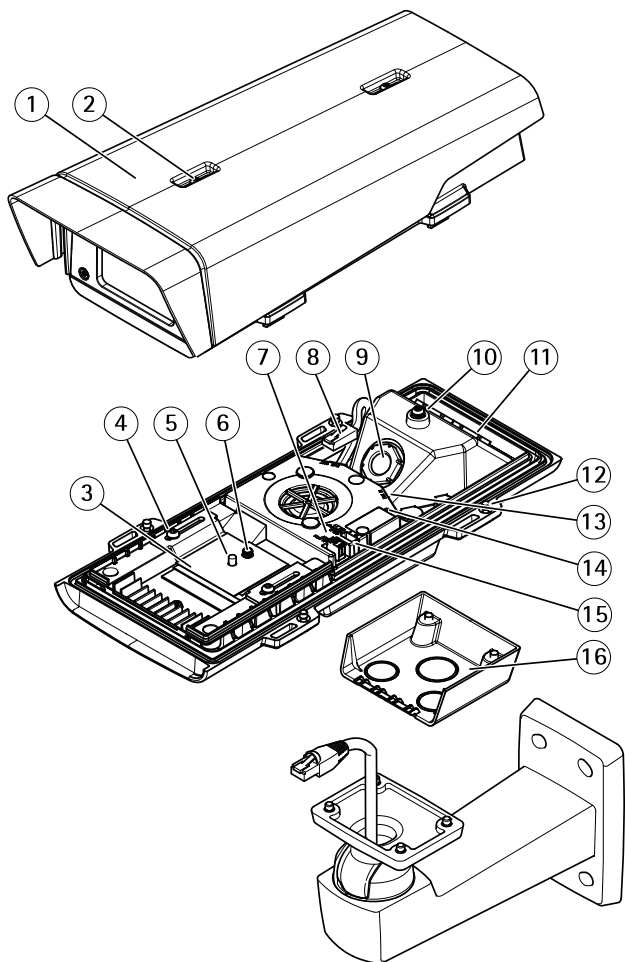
- Broca – si se usa el montaje en techo duro
- Cuchilla – si se usa el montaje en falso techo
- Destornillador Torx T30 – Si se usa una escuadra compatible de los accesorios de montaje AXIS T91A

Accesorios opcionales

Para conocer una lista completa de los accesorios disponibles para este producto, vaya a la página axis.com y seleccione Software y accesorios.

Información general del hardware

Carcasa



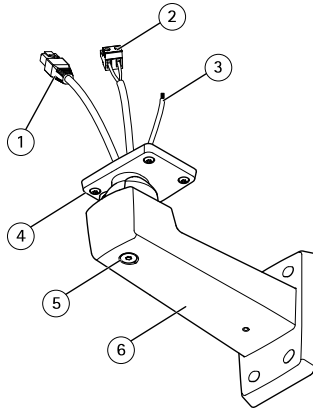
Carcasa de protección AXIS T92E0

1 Parasol

- 2 Tornillo de ajuste del parasol (2)
- 3 Soporte
- 4 Tornillos de soporte (2) y pestañas de arandelas (2)
- 5 Tornillo de estabilización
- 6 Tornillo de cámara y arandela
- 7 Salida de alarma
- 8 Cable de red
- 9 Orificio para cable
- 10 Lengüeta para cable de seguridad
- 11 Orificios para cable (2)
- 12 Cubierta inferior
- 13 Conector de red (PoE IN)
- 14 LED de estado
- 15 Conmutador de arranque en frío
- 16 Adaptador de escuadra

Montaje en pared

ES



- 1 Cable de red (guiado a través de la escuadra de pared)
- 2 Cable de alimentación (guiado a través de la escuadra de pared) (para todos los productos equipados con conector de alimentación)
- 3 Cable de tierra (guiado a través de la escuadra de pared) (para carcasas de cámaras equipadas con tornillo de tierra)
- 4 Tornillo T20 (4)
- 5 Tornillo de ajuste de escuadra T30
- 6 Montaje en pared

AXIS T92E Housing Series

Indicadores LED de la carcasa

Nota

El LED de carcasa al que se hace referencia en la tabla siguiente se encuentra en la carcasa.

Los eventos de alarma se activarán a través del puerto de entrada de la cámara.

LED de carcasa (ventilador y calefactor)	Indicación
Verde	Funcionamiento normal.
Verde intermitente	Un parpadeo: error del calefactor Doble parpadeo: error del ventilador Triple parpadeo: error general

Póngase en contacto con su distribuidor de Axis para obtener información sobre repuestos y solución de problemas.

Especificaciones

Función/grupo	Elemento	Especificaciones
	Modelos	Carcasa de protección AXIS T92E05 Carcasa para exteriores AXIS T92E20
General	Carcasa	Carcasa de aluminio, cubierta del cable y parasol de policarbonato. Carcasa de aluminio con las clasificaciones IP66 y NEMA 4X y con grado de protección a prueba de impactos IK10
	Condiciones de funcionamiento	AXIS T92E05: de -20 °C a 55°C ¹ Humedad del 15 al 100 % (con condensación) AXIS T92E20: de -40 °C a 50 °C ¹ Humedad del 15 al 100 % (con condensación)
	Homologaciones	AXIS T92E05: IEC 60068-2-6, IEC 60068-2-27 AXIS T92E20: EN 55022 Clase B, EN 61000-3-2, EN 61000-3-3, EN 55024, EN 61000-6-1, EN 61000-6-2, EN 60950-22, IEC 60068-2-6, IEC 60068-2-27, FCC Parte 15, Subparte B, Clase B, VCCI, Clase B

		ITE, C-tick AS/NZS CISPR 22, ICES-003, Clase B, KCC Clase B
	Dimensiones (al. x an. x pr.)	120 x 161 x 404 mm
	Peso	AXIS T92E05: 2,4 kg AXIS T92E20: 2,5 kg

1. Las temperatura de funcionamiento puede variar según la cámara, consulte el Manual del usuario disponible en www.axis.com

Instalación del hardware

AVISO

- Debido a la normativa local o a las condiciones ambientales y eléctricas en las que se vaya a utilizar el producto, puede que sea adecuado u obligatorio el uso de un cable de red blindado (STP). Todos los cables que conectan el producto a la red y que se utilicen en exteriores o en entornos eléctricos exigentes deberán estar blindados y diseñados para su uso específico. Asegúrese de que los dispositivos de red estén instalados de conformidad con las instrucciones del fabricante.

(AXIS T92E05) Para obtener información sobre los requisitos normativos, consulte la Guía de instalación de la cámara.

(AXIS T92E20) Para obtener información sobre los requisitos normativos, vea .

- Preste atención para no arañar, dañar ni dejar huellas en la ventana de la carcasa, ya que esto podría reducir la calidad de imagen.

El producto de Axis puede instalarse guiando los cables a través de la pared o sobre esta.

Lea todas las instrucciones antes de instalar el producto:

1. Instale el montaje en pared. Vea *Instalación del montaje en pared en la página 69*. Para obtener instrucciones detalladas, consulte la Guía de instalación del montaje en pared, incluida en el paquete o disponible en www.axis.com.
2. Fije la carcasa al montaje en pared. Vea *Fijación de la carcasa al montaje en pared en la página 70*.
3. Instale la cámara en la carcasa. Vea *Instalación de la cámara en la carcasa en la página 72*.

Instalación del montaje en pared

▲ATENCIÓN

Asegúrese de que los tornillos y tacos sean los adecuados para el material (p. ej. madera, metal, placas de yeso, piedra) y que el material sea lo suficientemente resistente para soportar el peso combinado de la cámara, la carcasa y el montaje en pared.

Nota

- Consulte también la Guía de instalación del montaje en pared, incluida en el paquete y disponible en www.axis.com.

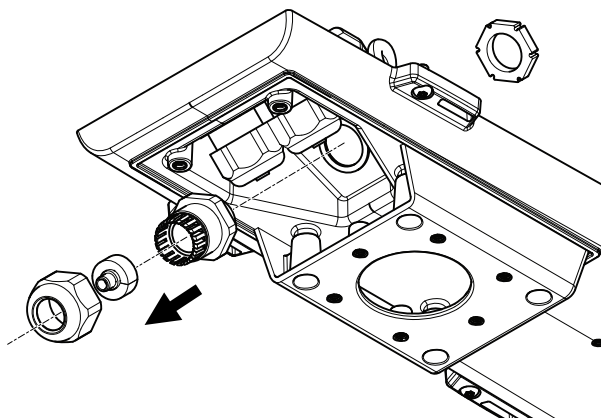
AXIS T92E Housing Series

- Si desea conocer las especificaciones técnicas de los conectores, consulte el Manual del usuario en www.axis.com
1. Prepare la pared para instalar el montaje en pared. Utilice la escuadra de pared como una plantilla y marque la ubicación de los orificios antes de perforarlos.
 2. Guíe el cable de red y, si procede, el cable de alimentación, a través de la escuadra de pared. Deje unos 30 cm de cable aproximadamente para conectarlo a la cámara.
 3. Si la carcasa de la cámara incluye un tornillo de tierra, guíe un cable de tierra a través de la escuadra de pared. Deje unos 15 cm de cable aproximadamente para conectarlo a la carcasa.
 4. Si se conecta un dispositivo auxiliar a la cámara, por ejemplo un dispositivo de alimentación externo, un dispositivo de E/S o uno de audio, repita el paso anterior aplicado a cada dispositivo en cuestión.
 5. Fije la escuadra de pared a la pared apretando los tornillos.

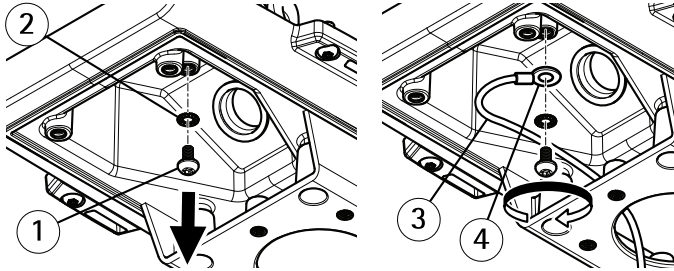
Fijación de la carcasa al montaje en pared

AVISO

- Si utiliza otra junta de cable distinta de la proporcionada, el agua podría filtrarse y dañar el producto. Para obtener más información acerca de las juntas de cable y de los prensaestopas permitidos para otras áreas de cableado, visite www.axis.com.
 - Si se utiliza más de un cable, deberá pasarse cada cable a través de una junta distinta.
 - Solo abra un orificio en las juntas de cable que se vayan a utilizar y si alguna junta está desgastada, reemplácela con una nueva. Si deja la junta de cable abierta o utiliza una desgastada, el agua podría filtrarse y dañar el producto.
1. Afloje los tornillos de la cubierta inferior y levante la cubierta superior.
 2. Afloje los tornillos de la cubierta del cable, separe la cubierta del cable de la cubierta inferior.

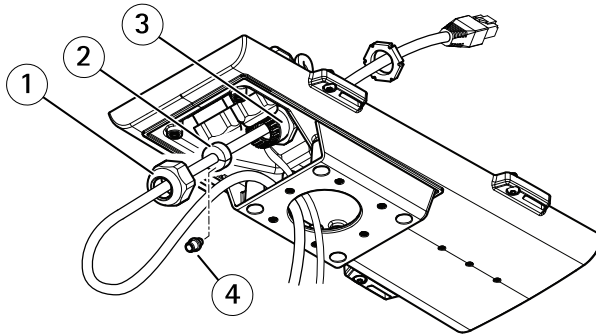


3. Extraiga la tapa, el tapón y la junta del prensaestopas que vaya a utilizar.
4. Retire el tornillo de toma de tierra, la arandela y la zapata para cable de tierra.
5. Fije la zapata montada en el cable de tierra y la arandela con el tornillo de toma de tierra.



1. Guíe el cable de red a través de la tapa.
2. Deslice el cable de red a través de la hendidura de la junta para conectar la junta al cable de red.
3. Guíe el cable de red a través del prensaestopas.

ES



- 1 Tapa
- 2 Junta
- 3 Prensaestopas
- 4 Tapón (desechable)

4. Presione la junta en el prensaestopas y atornille la tapa con firmeza.

AVISO

Si se utiliza un cable distinto al que se proporciona, es necesario preparar un cable de red blindado con una junta. Con cuidado, haga pasar el cable a través de la junta que se

AXIS T92E Housing Series

proporciona y acople un conector de red. Puede que sea necesario realizar un orificio en la junta con el destornillador proporcionado.

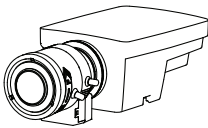
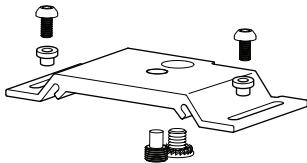
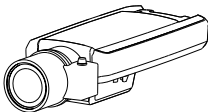
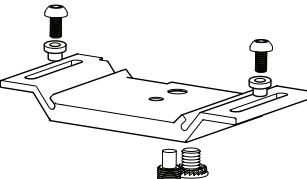
AVISO

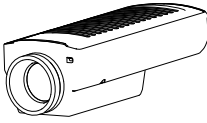
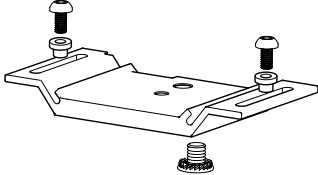
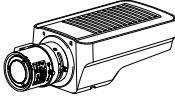
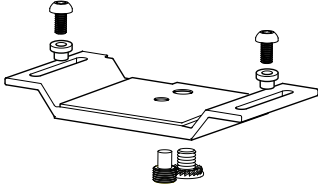
Monte el conector de alimentación después de haber encajado el cable de alimentación en la junta de cable.

5. Si se conecta un dispositivo auxiliar a la cámara, por ejemplo un dispositivo de alimentación externo, un dispositivo de E/S o uno de audio, repita los pasos anteriores aplicados a cada dispositivo en cuestión.
6. Coloque la cubierta inferior sobre el montaje en pared y apriete los tornillos (par de torsión de 2 Nm).

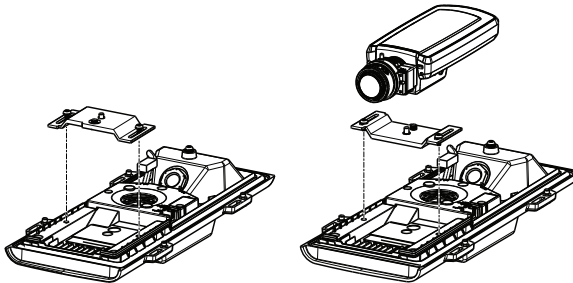
Instalación de la cámara en la carcasa

1. Afloje los tornillos del soporte y las arandelas para extraer el soporte.
2. Fije la cámara al soporte con los tornillos según las ilustraciones y la tabla incluidos a continuación. Apriete el tornillo de estabilización ligeramente y fije el tornillo de la cámara a 2 Nm. Asegúrese de no apretar los tornillos en exceso.

Modelo de cámara	AXIS T92E05/AXIS T92E20	AXIS T92E20	
	Posición y fijadores del soporte	Cable de E/S	Arranque retardado en frío
		No	Apagado (0)
		Sí	Apagado (0)

		<p>Sí</p>	<p>Apagado (I)</p>
		<p>Sí</p>	<p>Apagado (I)</p>

ES



3. Si se conectan dispositivos externos/de entrada, dispositivos de audio o una fuente de alimentación externa a la cámara, conéctelos de acuerdo con las instrucciones descritas en la Guía de instalación de la cámara.
4. Si procede, conecte a la cámara el cable de red interno y el cable de E/S, que están preinstalados en la carcasa para exteriores.
5. Fije el soporte a la cubierta inferior. Ajuste con cuidado la posición del soporte y apriete los tornillos del soporte, incluidas las arandelas (par de torsión de 0,5 Nm). Deje la distancia justa suficiente (aproximadamente 5–10 mm) entre el objetivo de la cámara y la parte frontal de la carcasa interior de plástico con el fin de encajar la cubierta superior sin que la ventana arañe el objetivo.
6. En caso de utilizar una tarjeta SD como unidad de almacenamiento local, inserte la tarjeta en la ranura para tarjetas SD de la cámara.
7. Conecte el cable de red externo a la toma PoE IN.

8. Si procede, coloque el conmutador de arranque retardado en frío en la posición correcta, vea la tabla de la página *página 72* y *Conmutador de arranque retardado en frío en la página 74*
9. Si procede, asegúrese de que los indicadores LED de estado de la carcasa indican las condiciones correctas. Vea *Indicadores LED de la carcasa en la página 68*.
10. Asegúrese de que los indicadores LED de la cámara indican las condiciones correctas. Vea la Guía de instalación de la cámara.
11. Afloje el tornillo de ajuste de la escuadra para orientar la cámara hacia el punto de interés. Para obtener información sobre cómo ver la transmisión de vídeo, consulte la Guía de instalación de la cámara o visite www.axis.com/techsup.
12. Conecte el cable de seguridad de la cubierta superior a la lengüeta de la cubierta inferior.
13. Cierre la carcasa. Asegúrese de apretar los tornillos de la cubierta inferior poco a poco, de forma alterna, hasta que estén bien apretados (par de torsión de 1,5 Nm). De este modo contribuirá a garantizar que la junta de la cubierta inferior se haya comprimido de manera uniforme.
14. Afloje los tornillos de ajuste del parasol y ajústelo en la posición deseada.

AVISO

Asegúrese de no pillar ningún cable al cerrar la carcasa.

Conmutador de arranque retardado en frío

La AXIS T92E20 incorpora la función de control de temperatura Arctic, que se activa colocando el conmutador de arranque retardado en frío en la posición I (Activado). Cuando está activada, esta función controla el reinicio de la cámara después de un corte de alimentación en caso de que la temperatura sea inferior a 0 °C. La cámara se calienta primero hasta alcanzar una temperatura aproximada de 0 °C antes de inicializarse. Esta medida impide que se produzcan daños en los modelos de cámara que incluyen piezas móviles.

Nota

El conmutador debe desactivarse en el caso de cámaras que no incluyan piezas móviles ya que no precisan de esta función, vea *Instalación de la cámara en la carcasa en la página 72*

Instrucciones de limpieza

AVISO

- Evite utilizar limpiadores abrasivos, espátulas limpiacristales u otros accesorios de limpieza que puedan arañar o perforar el revestimiento.
 - No limpie con un trapo o una esponja secos.
 - No utilice cuchillas ni otros utensilios afilados, así como tampoco detergentes abrasivos o altamente alcalinos, disolventes, benceno con plomo o tetracloruro de carbono.
1. Limpie suavemente la chapa para soltar el polvo y la suciedad (consulte la siguiente tabla).

Para quitar:	Utilice un trapo de microfibra o una esponja con:
Polvo o suciedad	Agua tibia o detergente no abrasivo
Acumulación mayor de polvo o manchas de grasa	Alcohol de petróleo puro sin benceno (nafta o gasolina ligera)
Salpicaduras de tintes, grasa o residuos de sellado	Alcohol etílico, alcohol isopropílico o éter de petróleo y frote suavemente antes del secado
Marcas de óxido	Solución al 10 % de ácido oxálico

2. A continuación, enjuague con agua limpia.
3. Para evitar que queden manchas de agua, seque con cuidado utilizando una gamuza o una esponja de celulosa.

ES

Más información

- Para consultar la versión más reciente de este documento, vaya a axis.com.
- Para consultar webinars y cursos en línea que pueden resultarle útiles, vaya a axis.com/academy.

Información de garantía

Para obtener más detalles sobre la garantía del producto Axis y la información relacionada con ella, visite axis.com/warranty.

安全情報

危険レベル

▲危険

回避しない場合、死亡または重傷につながる危険な状態を示します。

▲警告

回避しない場合、死亡または重傷につながるおそれのある危険な状態を示します。

▲注意

回避しない場合、軽傷または中程度の怪我につながるおそれのある危険な状態を示します。

注記

回避しない場合、器物の破損につながるおそれのある状態を示します。

その他のメッセージレベル

重要

製品を正しく機能させるために不可欠な重要情報を示します。

注意

製品を最大限に活用するために役立つ有用な情報を示します。

安全手順

注記

- 本製品は、お使いになる地域の法律や規制に準拠して使用してください。
- 本製品は乾燥した換気のよい環境に保管してください。
- 本製品に衝撃または強い圧力を加えないでください。
- 本製品を不安定なポール、ブラケット、表面、または壁に設置しないでください。
- 本製品を設置する際には、適切な工具のみを使用してください。電動工具を使用して過剰な力をかけると、製品が損傷することがあります。
- 化学薬品、腐食剤、噴霧式クリーナーは使用しないでください。
- 清掃には、きれいな水に浸した清潔な布を使用してください。
- 製品の技術仕様に準拠したアクセサリのみを使用してください。これらのアクセサリは、Axisまたはサードパーティから入手できます。Axisは、ご使用の製品と互換性のあるAxis給電ネットワークスイッチの使用を推奨します。
- Axisが提供または推奨する交換部品のみを使用してください。
- 製品を自分で修理しないでください。修理については、Axisサポートまたは販売代理店にお問い合わせください。

輸送

注記

- 本製品を運搬する際は、製品が損傷しないよう、元の梱包が同等の梱包を使用してください。

インストールガイド

このインストールガイドでは、AXIS T92E05プロテクティブハウジングおよびAXIS T92E20アウトドアハウジングを設置する手順について説明します。

カメラをネットワークにインストールする手順については、カメラに付属するインストールガイドを参照してください。カメラのその他の情報については、Axisのホームページ (www.axis.com) でユーザーズマニュアルを参照してください。

設置手順

1. パッケージの内容、ツールなど、設置に必要な物がそろっているかを確認します。79ページを参照してください。
2. ハードウェアの概要を確認します。80ページを参照してください。
3. 仕様を確認します。82ページを参照してください。
4. ハードウェアを設置します。83ページを参照してください。

パッケージの内容

- AXIS T92E05/T92E20ハウジング
- AXIS T94Q01A壁面取付ブラケット
- ネットワークケーブル (AXIS T92E20のみ)
- トルクスドライバー (T20) または六角レンチ (T20)
- トルクススクリュービット (T30)
- ホルダー取付キット
- インストールガイド (本書)

推奨ツール

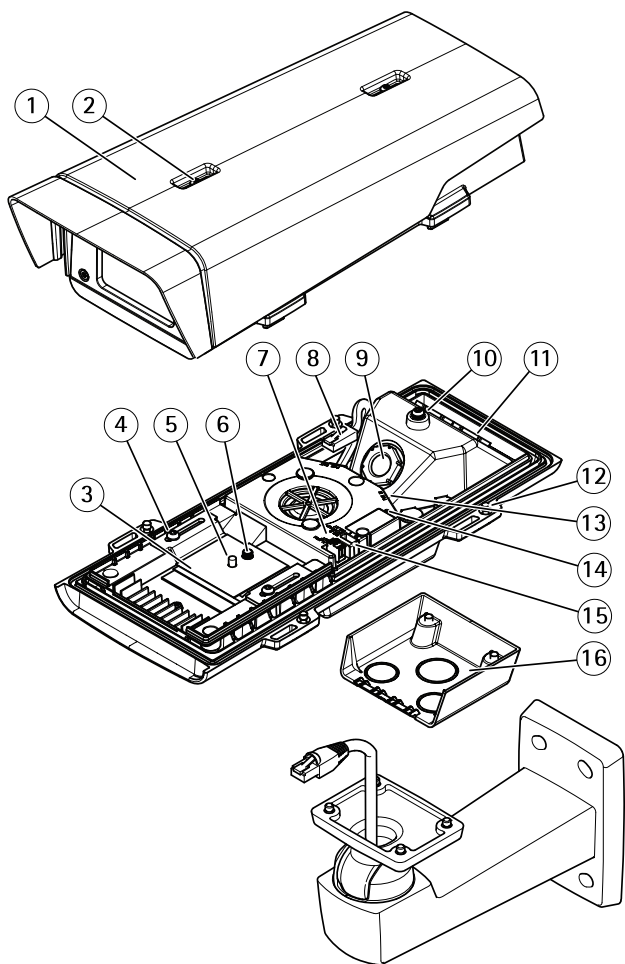
- ドリル – 天井吊り下げ取り付けキットを使用する場合
- ナイフ – 天井埋め込み取り付けキットを使用する場合
- トルクスT30ドライバー – AXIS T91A取付金具に対応したブラケットを使用する場合

オプションアクセサリ

本製品で利用可能なすべてのアクセサリについては、axis.comで本製品のページを開いて「ソフトウェア&アクセサリ」を参照してください。

ハードウェアの概要

ハウジング



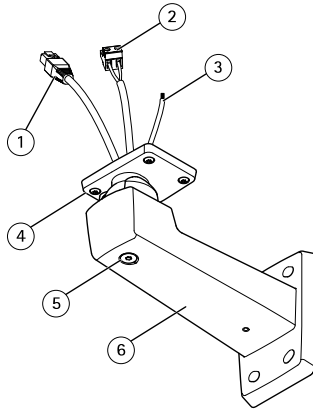
AXIS T92E20 プロテクティブハウジング

1 サンシールド

- 2 サンシールド調節ネジ(×2)
- 3 ホルダー
- 4 ホルダーネジ(×2)とワッシャフランジ(×2)
- 5 安定用ねじ
- 6 カメラ用ねじとワッシャー
- 7 アラーム出力
- 8 ネットワークケーブル
- 9 ケーブル孔
- 10 安全ワイヤータブ
- 11 ケーブル孔(×2)
- 12 裏蓋
- 13 ネットワークコネクタ(PoE入力)
- 14 ステータスLED
- 15 コールドスタートスイッチ
- 16 ブラケットアダプター

壁面取付ブラケット

JA



- 1 ネットワークケーブル(壁面ブラケットに通す)
- 2 電源ケーブル(壁面ブラケットに通す)(電源コネクタを搭載した製品用)
- 3 アース端子ケーブル(壁面ブラケットに通す)(アース端子ネジを搭載したカメラ筐体用)
- 4 ネジT20(×4)
- 5 ブラケット調節ネジT30
- 6 壁面取付ブラケット

AXIS T92E Housing Series

ハウジングLEDインジケーター

注意

下記の表で説明しているハウジングLEDはハウジング内にあります。

アラームイベントはカメラの入力ポートを通してトリガーされます。

ハウジングLED (ファンおよびヒーター)	説明
緑	正常動作。
緑: 点滅	1回点滅: ヒーターのエラー 2回点滅: ファンのエラー 3回点滅: 一般エラー

スペアパーツおよびトラブルシューティングについては、Axisの販売代理店までお問い合わせください。

仕様

機能/ グループ	アイテム	仕様
	モデル	AXIS T92E05 プロテクティブハウジング AXIS T92E20 アウトドアハウジング
一般	ケーシング	アルミニウムケース、ポリカーボネートサンシールド、ケーブルカバー。IP66、NEMA 4対応、IK10等級の耐衝撃型アルミニウムケース
	動作条件	AXIS T92E05: -20° C~55° C ¹ 湿度: 15~100% (結露可) AXIS T92E20: -40° C~50° C ¹ 湿度: 15~100% (結露可)
	認証規格	AXIS T92E05: IEC 60068-2-6、IEC 60068-2-27 AXIS T92E20: EN 55022 Class B、EN 61000-3-2、EN 61000-3-3、EN 55024、EN 61000-6-1、EN 61000-6-2、EN 60950-22、IEC 60068-2-6、IEC 60068-2-27、FCC Part 15、

		Subpart B、Class B、VCCI、Class B ITE、C-tick AS/NZS CISPR 22、ICES-003、Class B、KCC Class B
	寸法 (高さ×幅×奥行き)	120 x 161 x 404 mm
	重量	AXIS T92E05: 2.4 kg AXIS T92E20: 2.5 kg

1. 動作温度はカメラによって異なる場合があります。Axisのホームページ (www.axis.com.co.jp) に記載されたユーザーズマニュアルをご覧ください。

ハードウェアのインストール

注記

- 本製品を使用する場所の地域条例、環境、電気的条件によっては、シールドネットワークケーブル (STP) の使用が推奨または必須になります。本製品をネットワークに接続して屋外または電氣的に厳しい環境に配線する場合は、用途に合ったネットワークケーブルを使用してください。ネットワーク装置がメーカーの指示どおりに設置されていることを確認します。

(AXIS T92E05) 法的要件については、カメラのインストールガイドを参照してください。

AXIS T92E20) 法的要件については、を参照してください。

- 画質低下の原因になるため、ウィンドウに傷や指紋を付けたり、損傷しないように注意してください。

本製品は、ケーブルを壁に沿わせたり、壁の中を通して配線して、設置することができます。

製品を取り付ける前に、すべての説明に目を通してください。

1. 壁面取付ブラケットの取り付け。83ページの、壁面取付ブラケットの取り付けを参照してください。詳しい取り付け手順については、壁面取付ブラケットに同梱のインストールガイド、またはwww.axis.comを参照してください。
- 2.ハウジングの壁面取付ブラケットへの取り付け。84ページの、ハウジングの壁面取付ブラケットへの取り付けを参照してください。
3. カメラのハウジングへの収納。86ページの、カメラのハウジングへの収納を参照してください。

壁面取付ブラケットの取り付け

注意

ネジやプラグ類が、壁の材質(木、金属、乾式壁、石)に適しているか確認してください。また、壁の材質が、カメラ、ハウジング、壁面取付ブラケットの合計重量を十分に支えられることを確認してください。

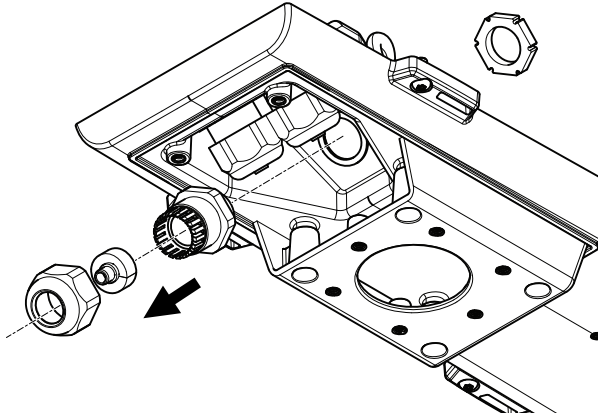
注意

- または、壁面取付ブラケットに同梱のインストールガイド、および www.axis.com を参照してください。
 - コネクタの技術仕様については、Axisのホームページ (www.axis.com) でカメラのユーザーズマニュアルを参照してください
1. 壁面取付ブラケットを取り付ける壁面の準備を行います。壁面ブラケットを壁に合わせ、穴を開ける位置に印を付けます。
 2. ネットワークケーブル(必要に応じて電源ケーブル)を壁面ブラケットに通します。カメラとの接続用に30 cmほどケーブルを残します。
 3. カメラのハウジングにアース端子ケーブルがある場合、アースケーブルを壁面ブラケットに通します。ハウジングとの接続用に15 cmほどケーブルを残します。
 4. I/O、音声、外部電源デバイスなどの補助デバイスをカメラに接続する場合、それぞれのデバイスについて同じ手順を繰り返します。
 5. ネジを締め、壁面ブラケットを壁面に固定します。

ハウジングの壁面取付ブラケットへの取り付け

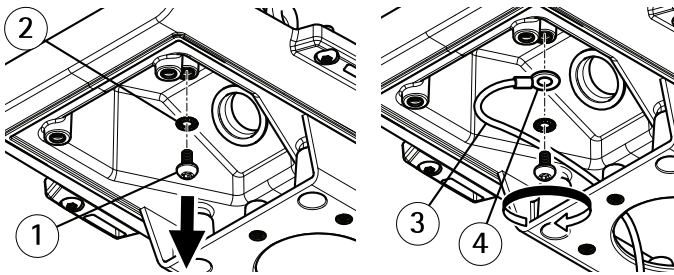
注記

- 付属のケーブルガasket以外は使用しないでください。浸水し、製品が破損するおそれがあります。他のケーブルエリアに対応するケーブルガasket、ケーブルグラウンドについては、www.axis.com を参照してください。
 - 複数のケーブルを使用する場合、各ケーブルをそれぞれ別のケーブルガasketに通す必要があります。
 - 使用するケーブルガasketのみ穴を開けます。ケーブルガasketが破損した場合には、新品のケーブルガasketに交換してください。ケーブルガasketに穴を開けたままにしたり、破損したケーブルガasketを使用したりすると、浸水し、製品が破損するおそれがあります。
1. 裏蓋ネジを緩め、上蓋を持ち上げます。
 2. ケーブルカバーのネジをゆるめ、ケーブルカバーを裏蓋から取り外します。



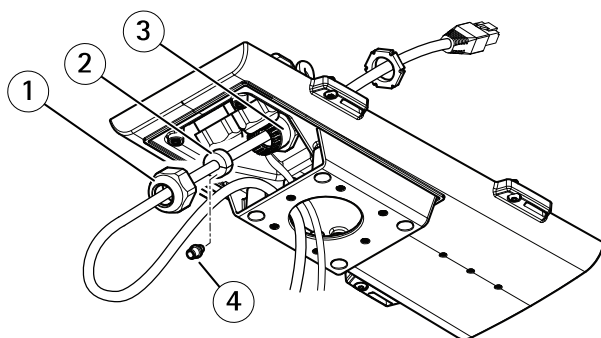
3. 使用するケーブルグランドからキャップ、プラグ、ガスケットを取り外します。
4. アース端子ネジ、ワッシャ、アースシューリングを取り外します。
5. シューリングを取り付けたアース線およびワッシャをアース端子ネジに固定します。

JA



1. ネットワークケーブルをキャップに通します。
2. ネットワークケーブルをガスケットの溝に沿ってスライドさせ、ネットワークケーブルにガスケットを取り付けます。
3. ネットワークケーブルをケーブルグランドに通します。

AXIS T92E Housing Series



- 1 キャップ
- 2 ガasket
- 3 ケーブルグランド
- 4 プラグ(破棄)

4. ガasketをケーブルグランドの中まで押し込み、キャップをしっかりと締めます。

注記

付属のケーブル以外のケーブルを使用する場合は、シールドネットワークケーブルにガasketを装着する必要があります。ケーブルを付属のガasketに通し、ネットワークコネクタを取り付けます。ガasketに、付属のドライバーを使用して穴をあける必要がある場合があります。

注記

電源ケーブルをケーブルガasketに通した後に電源コネクタを取り付けます。

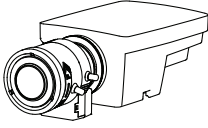
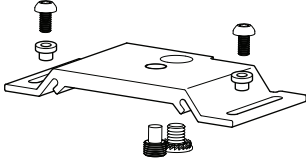
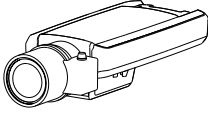
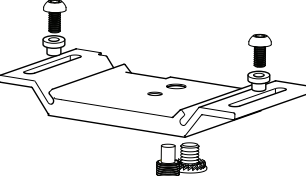
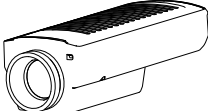
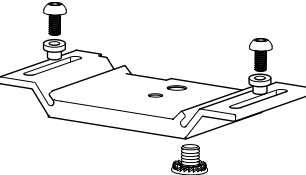
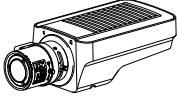
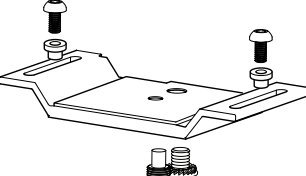
5. I/O、音声、外部電源デバイスなどの補助デバイスをカメラに接続する場合、それぞれのデバイスについて同じ手順を繰り返します。
6. 裏蓋を壁面取付ブラケットに取り付け、ネジを締めます(トルク2 Nm)。

カメラのハウジングへの収納

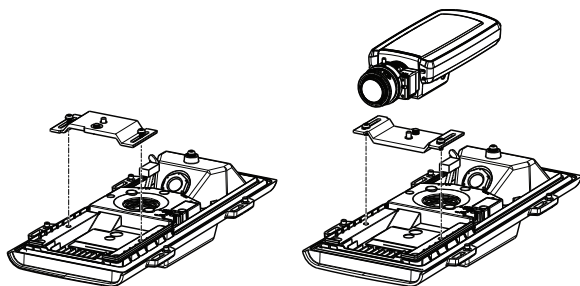
1. ホルダーネジおよびワッシャをゆるめ、ホルダーを外します。
2. 以下の図と表の通りに、ねじでカメラをホルダーに固定します。安定用ねじを軽く締め、カメラのねじを2 Nmまで締めます。ネジを締めすぎないように注意してください

カメラのモデル	AXIS T92E05/AXIS T92E20	AXIS T92E20	
	ホルダーの位置とファスナー	I/Oケーブル	コールドスタートアップ遅延

AXIS T92E Housing Series

		なし	オフ (0)
		あり	オフ (0)
		あり	オフ (1)
		あり	オフ (1)

JA



3. 外部/入力デバイス、音声デバイス、外部電源をカメラに接続する場合は、カメラのインストールガイドに記載された手順に従って接続してください。
4. 該当する場合は、屋外用ハウジングに設置済みの内部ネットワークケーブルとI/Oケーブルをカメラに接続します。
5. 裏蓋にホルダーを取り付けます。ホルダーの位置を慎重に調整し、ワッシャを含むホルダーネジを締めます(トルク0.5 Nm)。カメラのレンズとプラスチック製の内部ハウジングの前方の端の間に約5-10mmの距離をおき、ウィンドウがレンズを擦らずにトップカバーを装着できるようにします。
6. SDカードをローカルストレージとして使用する場合は、カメラのSDカードスロットにSDカードを挿入します。
7. 外部ネットワークケーブルをPoE入力に接続します。
8. 該当する場合は、Cold Startup Delay (コールド起動の遅延) スイッチを正しい位置に設定します。86ページと89ページの、コールドスタートアップ遅延スイッチページの表を参照してください。
9. 該当する場合は、ハウジングのステータスLEDが正しい状態を示していることを確認してください。82ページの、ハウジングLEDインジケーターを参照してください。
10. カメラのLEDが正しい状態を示しているかを確認します。カメラのインストールガイドを参照してください。
11. ブラケット調整ネジを緩め、カメラを撮影方向に向けます。ビデオストリームを表示する方法については、カメラのインストールガイドまたは www.axis.com/techsup を参照してください。
12. 裏蓋のタブに上蓋の安全ワイヤーを取り付けます。
13. ハウジングを閉じます。裏蓋ネジを数回ずつ回し、すべてのネジが締まるまでこれを繰り返します(トルク1.5 Nm)。これにより、裏蓋のガスケットに均等に力が掛かります。
14. サンシールド調節ネジをゆるめ、サンシールドを希望する位置に調節します。

注記

ハウジングを閉じるときに、ケーブルを挟まないよう注意してください。

コールドスタートアップ遅延スイッチ

AXIS T92E20はArctic Temperature Control (極寒コントロール) 機能を搭載。Cold Startup Delay (コールド起動の遅延) スイッチを1(オン)に設定すると有効になります。有効にすると、この機能は、気温が0°C未満の場合に停電後にカメラが再起動するとき、カメラがまず0°Cに加熱されてから初期化されるように制御します。これにより、可動部分を有するモデルでの破損を防ぎます。

注意

可動部品のないカメラでは、この機能が不要であるため、スイッチを無効にしてください。86ページの、カメラのハウジングへの収納の表を参照してください。

洗浄手順

注記

- コーティングを傷付けたり削り取る可能性がある、研磨剤の入った洗浄剤、ワイパーなどの洗浄用具は使用しないでください。
 - 乾燥した布やスポンジで洗浄しないでください。
 - カミソリなどの鋭利な工具、研磨剤が入っているまたは強アルカリ性の洗剤、有鉛のベンゼン類、四塩化炭素を使用しないでください。
1. シートを優しく洗浄し、ほこりや汚れを浮かせます。以下の表を参照してください。

JA

取り外し方法:	以下を使用してマイクロファイバー製の布やスポンジで洗浄します
ほこりやチリ	ぬるま湯または研磨剤の入っていない洗剤
ほこりがひどい場合や油しみ	ベンゼン非含有の純粋な石油精(洗浄剤のナフサまたは軽ガソリン)
染料、グリース、または残留シーリングの飛び散り	エチルアルコール、イソプロピルアルコール、または石油エーテル。硬化する前に優しくこする
さび	シュウ酸の10%水溶液

2. その後、きれいな水でよくすすいでください。
3. 水染みができないよう、セーム革またはセルローススポンジでよく乾燥させてください。

関連情報

- 本書の最新バージョンについては、axis.com/にアクセスしてください。
- 役に立つオンライントレーニングおよびWebセミナーをご用意しております。axis.com/academyをご覧ください。

保証情報

アクシスの製品保証と関連情報については、axis.com/warrantyをご覧ください。

安全信息

危险等级

▲危险

表示如果不避免则会导致死亡或严重伤害的危险情况。

▲警告

表示如果不避免则可能导致死亡或严重伤害的危险情况。

▲小心

表示如果不避免则可能导致轻微或中度伤害的危险情况。

注意

表示如果不避免则可能导致财产损失的情况。

其他消息等级

重要

表示产品正常工作所必需的重要信息。

备注

表示有助于充分利用产品的有用信息。

安全说明

注意

- 使用 Axis 产品时应遵守当地法律和法规。
- 在干燥通风的环境中存放 Axis 产品。
- 避免将 Axis 产品暴露在冲击或高压环境下。
- 请勿将产品安装在不稳固的立杆、支架、表面或墙壁上。
- 安装 Axis 产品时，仅使用适用的工具。使用电动工具过度施力可能导致产品损坏。
- 请勿使用化学品、腐蚀剂或气雾剂。
- 使用蘸纯净水的干净布进行清洁。
- 仅使用符合产品技术规格的附件。这些附件可由 Axis 或第三方提供。Axis 推荐使用与产品兼容的 Axis 电源设备。
- 仅使用 Axis 提供或推荐的备件。
- 请勿尝试自行维修产品。有关服务事项，请联系 Axis 支持部门或 Axis 经销商。

运输

注意

- 安讯士产品运输途中，应使用其原包装或等效包装，以防对产品造成损坏。

安装指南

本安装指南说明了如何安装 AXIS T92E05 防护罩和 AXIS T92E20 室外护罩。

如欲在网上安装摄像机，请参考摄像机随附的安装指南。有关该摄像机的其他详情，请参见用户手册，网址：www.axis.com

安装步骤

1. 确保安装必需的包装内容、工具和其它材料井然有序。参见 [第93页](#)。
2. 研究硬件概述。参见 [第94页](#)。
3. 研究规格。参见 [第96页](#)。
4. 安装硬件。参见 [第97页](#)。

包装内容

- AXIS T92E05/T92E20 护罩
- AXIS T94Q01A 壁式支架
- 网线（仅 AXIS T92E20）
- 六角梅花头螺丝刀 (T20) 或艾伦扳手 (T20)
- Torx 钻头 (T30)
- 夹具安装套件
- 安装指南（本文档）

ZH

推荐的工具

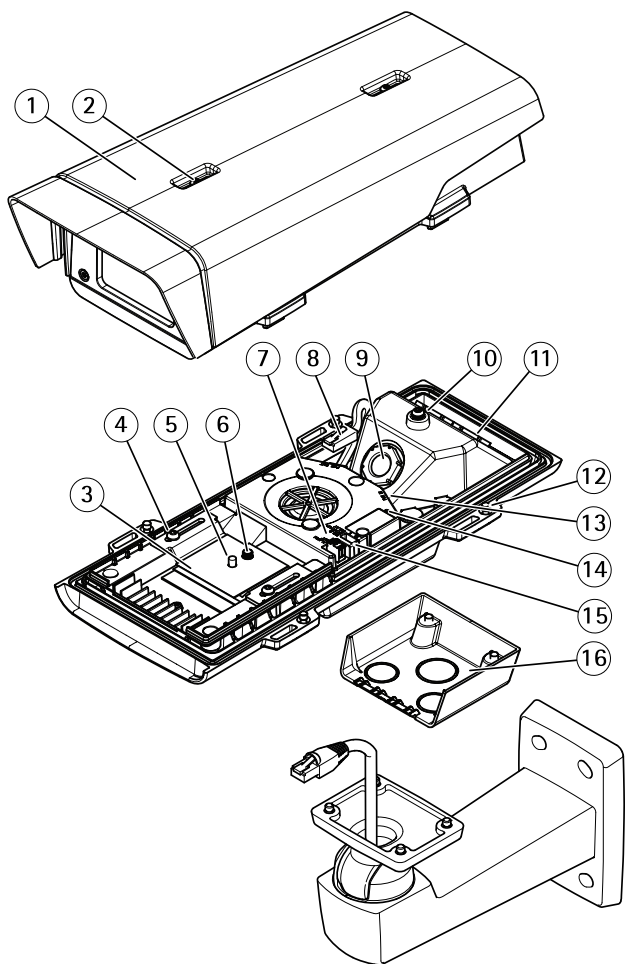
- 钻子 – 如果使用硬天花板安装
- 刀 – 如果使用吊顶安装
- Torx 螺丝刀 T30 – 如果使用 AXIS T91A 安装附件中的兼容支架

可选附件

欲查看本产品可用附件的完整列表，请转到 axis.com 上的产品页并选择“软件和附件”。

硬件概览

护罩

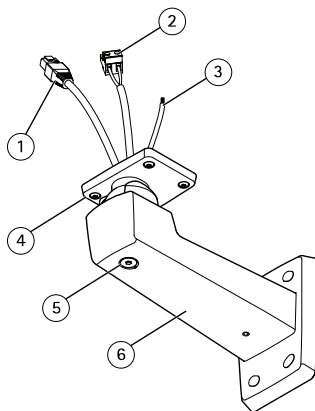


AXIS T92E20 防护罩

1 遮阳罩

- 2 遮阳罩调节螺丝 (2x)
- 3 夹具
- 4 夹具螺丝 (2x) 和垫圈法兰 (2x)
- 5 稳定螺丝
- 6 摄像机螺丝和垫圈
- 7 报警输出
- 8 网线
- 9 线缆孔
- 10 保险丝垫片
- 11 线缆孔 (2x)
- 12 底盖
- 13 网络接口 (PoE 输入)
- 14 LED 状态指示灯
- 15 冷启动开关
- 16 支架适配器

壁式支架



- 1 网线 (穿过壁式支架)
- 2 电源线 (穿过壁式支架) (用于配备电源接口的产品)
- 3 接地线缆 (穿过壁式支架) (用于带有接地螺丝的摄像机护罩)
- 4 螺丝 T20 (4x)
- 5 支架调节螺丝 T30
- 6 壁式支架

AXIS T92E Housing Series

防护罩 LED 指示灯

备注

下表中提到的防护罩 LED 位于防护罩内。

警报事件将通过摄像机的输入端口触发。

防护罩 LED (风扇和加热器)	指示
绿色	工作正常。
闪烁的绿色	单闪： 加热器错误 双闪： 风扇错误 三闪： 一般错误

有关备件和故障排除的信息，请与安讯士经销商联系。

规格

功能/组	项目	规格
	型号	AXIS T92E05 防护罩 AXIS T92E20 室外护罩
一般规格	外壳	铝制外壳、聚碳酸酯遮阳罩和线槽。IP66 级和 NEMA 4X 级保护，IK10 抗震铝外壳
	工作条件	AXIS T92E05： -20° C 至 55° C (-4° F 至 131° F) ¹ 湿度 15 - 100% (冷凝) AXIS T92E20： -40° C 至 50° C (-40° F 至 122° F) ¹ 湿度 15 - 100% (冷凝)
	认证	AXIS T92E05： IEC 60068-2-6、 IEC 60068-2-27 AXIS T92E20： EN 55022 Class B、EN 61000-3-2、EN 61000-3-3、 EN 55024、EN 61000-6-1、EN 61000-6-2、EN 60950-22、IEC 60068-2-6、IEC 60068-2-27、 FCC Part 15、Subpart B、Class B、VCCI、Class B ITE、C-tick

		AS/NZS CISPR 22、ICES-003、Class B、KCC Class B
	尺寸 (高x宽x深)	120 x 161 x 404 毫米 (4.7 x 6.4 x 15.9 英寸)
	重量	AXIS T92E05: 2.4 千克 (5.1 磅) AXIS T92E20: 2.5 千克 (5.5 磅)

1. 工作温度可能因摄像机不同而有所差异，请参见用户手册，网址 www.axis.com

安装硬件

注意

- 根据当地法规或使用产品所在的环境与电力条件，可能需要使用屏蔽网线 (STP)。连接产品与网络的线缆以及伸展到户外或苛刻电力环境中的线缆必须使用专用线缆。确保网络设备按照制造商的说明进行安装。

(AXIS T92E05) 有关监管要求的信息，请参见摄像机的安装指南。

(AXIS T92E20) 有关监管要求的信息，请参见

- 切勿刮伤或损坏窗口或在窗口上留下指纹，因为这样会降低图像质量。

可将线缆穿过或沿墙壁布置，以此安装该安讯士产品。

请在安装产品前阅读说明：

1. 安装壁式支架。参见 *安装壁式支架* 在第97页。如欲了解详细说明，请查阅壁式支架的安装指南，它随附在包装内，同时发布于 www.axis.com
2. 将护罩安装于壁式支架。参见 *将护罩安装至壁式支架* 在第98页。
3. 将摄像机安装在护罩中。参见 *将摄像机安装在护罩中* 在第100页。

ZH

安装壁式支架

小心

请确保螺丝和插头适用于相关材料（如木材、金属、干式墙、石头），且材料足够坚固，能够承受摄像机、护罩和壁式支架的全部重量。

备注

- 请查阅壁式支架的安装指南，它随附在包装内，同时发布于 www.axis.com
 - 如欲了解关于接口的技术规范，请参见摄像机的用户手册，网址 www.axis.com
1. 为安装壁式支架对墙壁实施前期准备工作将壁式支架用作样板，标记待钻的孔。
 2. 如果需要，将网线和电源线穿过壁式支架。留出近 30 厘米 (11.8 英寸) 线缆用于连接摄像机。
 3. 如果摄像机护罩具有接地螺丝，将接地线缆穿过壁式支架。留出近 15 厘米 (5.9 英寸) 线缆用于连接护罩。

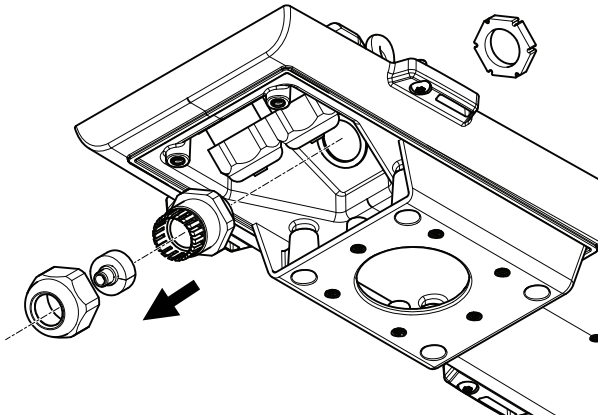
AXIS T92E Housing Series

4. 如果将辅助设备（如 I/O、音频或外部电源设备）连接至摄像机，请重复上述适用于特定设备的步骤。
5. 拧紧螺丝，将壁式支架紧固在墙壁上。

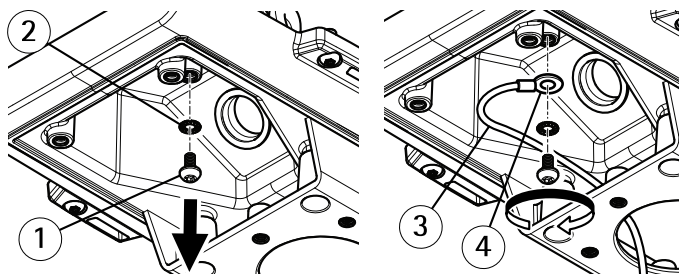
将护罩安装至壁式支架

注意

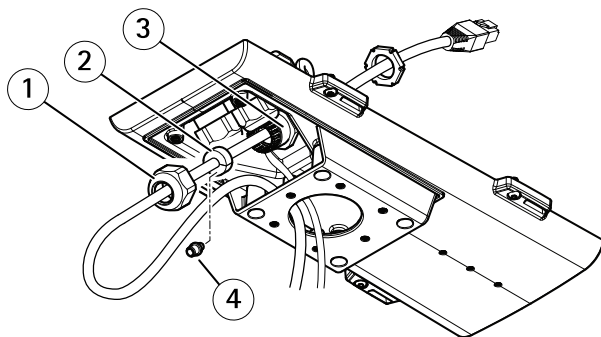
- 使用随附线缆垫圈以外的替代品可能导致渗水，从而造成产品损坏。有关适用其他线缆区域的线缆垫圈和线缆密封套，请访问 www.axis.com
 - 如果使用一条以上的线缆，那么每条线缆必须穿过单独的线缆垫圈。
 - 只在将被使用的线缆垫圈中开孔，如果一个线缆垫圈划破，则使用新线缆垫圈替换。让线缆垫圈保持开口状态或使用划破的线缆垫圈，可能导致渗水，从而造成产品损坏。
1. 松开底盖螺丝，并提起顶盖。
 2. 松开线槽螺丝，将线槽从底盖上移去。



3. 移除拟使用线缆密封套的密封帽、密封塞和密封垫。
4. 移除接地螺丝、垫圈和接地端环 (shoe ring)。
5. 使用接地螺丝拧紧端环安装接地线和垫圈。



1. 将网线穿过密封帽。
2. 将网线穿过密封垫孔隙，以便将密封垫附着在网线上。
3. 将网线穿过线缆密封套。



- 1 密封帽
- 2 垫圈
- 3 线缆密封套
- 4 密封塞 (丢弃)

4. 将密封垫用力塞入线缆密封套，并将密封盖拧紧。

注意

如果不使用随附的网线而使用其它网线，您需要准备一根带有垫圈的屏蔽网线。轻轻地将网线穿过随附的垫圈并装上一个网络接头。可能需要用一个随附的螺丝刀在垫圈上戳一个洞。

注意

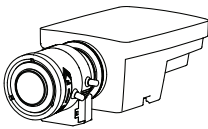
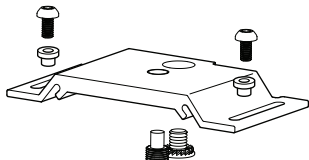
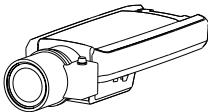
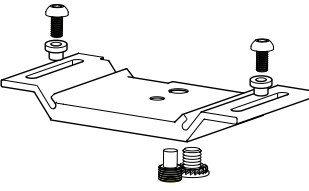
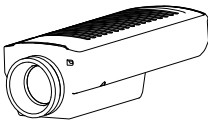
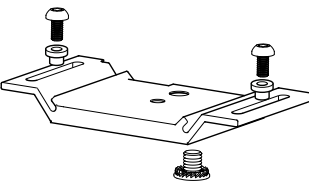
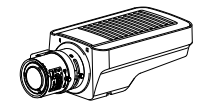
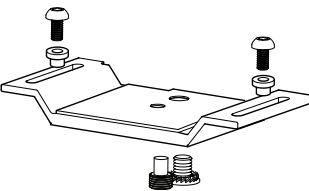
在电源线穿过线缆垫圈后，安装电源接口。

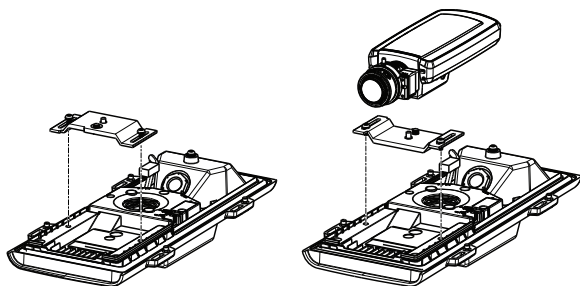
5. 如果将辅助设备（如 I/O、音频或外部电源设备）连接至摄像机，请重复上述适用于特定设备的步骤。
6. 将底盖置于壁式支架上，并拧紧螺丝（扭矩 2 纳米）。

AXIS T92E Housing Series

将摄像机安装在护罩中

1. 松开夹具螺丝和垫圈，以移除夹具。
2. 按照下面的图示和表格，使用螺丝将摄像机紧固至夹具上。轻轻拧紧稳定螺丝，并拧紧摄像机螺丝至 2 纳米。注意不要过于拧紧螺丝

摄像机型号	AXIS T92E05/AXIS T92E20	AXIS T92E20	
	夹具位置和紧固件	I/O 线缆	冷启动延迟
		否	关 (0)
		是	关 (0)
		是	关 (I)
		是	关 (I)



3. 若需要，请按照摄像机安装指南的说明，将外部/输入设备、音频设备或外部电源连接至摄像机。
4. 若适用，连接内部网线和 I/O 线缆（预安装在室外护罩中）至摄像机。
5. 将夹具安装于底盖。小心调整夹具的位置，并拧紧夹具螺丝，包括垫圈（扭矩 0.5 纳米）。在摄像机镜头和塑料内护罩前端之间预留足够距离（约 5–10 毫米（0.2–0.4 英寸））用于容纳顶盖，以免窗口划破镜头。
6. 如果将 SD 卡用于本地存储，请将卡插入摄像机的 SD 卡插槽。
7. 将外部网线连接至 PoE 输入。
8. 若适用，将冷启动延迟开关设置为正确位置，请参见第 100 页页表和 *冷启动延迟开关* 在第 101 页。
9. 若适用，检查确认护罩的 LED 状态指示灯显示正确的状态。参见 *防护罩 LED 指示灯* 在第 96 页。
10. 确保摄像机 LED 指示灯显示正确的状态。请参见摄像机的安装指南。
11. 松开支架调节螺丝，将摄像机对准相关点。有关如何观看视频流的信息，请参见摄像机的安装指南，或访问 www.axis.com/techsup
12. 将顶盖保险丝连接到底盖的垫片上。
13. 合上护罩。每次请务必将底盖螺丝逐个拧动几圈，直至完全拧紧（扭矩 1.5 纳米）。这可确保底盖垫圈均匀受力。
14. 松开遮阳罩调节螺丝并将遮阳罩调整到理想位置。

ZH

注意

合上护罩时，请确保不要夹住线缆。

冷启动延迟开关

AXIS T92E20 具有极地低温控制功能，可通过将冷启动延迟开关设置为 I (ON) 而启用。一旦启用，该功能将控制电源切断后何时重启，当温度低于 0° C (32° F)；摄像机在启动前首先被加热至近 0° C (32° F)。这样可以防止损坏含有移动部件的摄像机型号。

AXIS T92E Housing Series

备注

对于没有移动部件的摄像机，应该禁用该开关，因为它们不需要该功能，请参见 *将摄像机安装在护罩中* 在第100页

清洁说明

注意

- 避免使用擦洗剂、刮扫器和/或其他可能划破或凿坏涂层的清洁工具。
 - 切勿使用干布或海绵进行清洁。
 - 切勿使用剃须刀片或其他尖锐工具、腐蚀性或强碱性清洁剂、溶剂、含铅苯和四氯化碳。
1. 轻洗薄板以使污垢变得松散，请参见下表。

如何去除下列污点：	使用超细纤维布或海绵，配合：
灰尘或污垢	温水或非磨蚀性清洁剂
大块的污渍或油渍	无苯纯汽油（洗涤用石脑油或轻汽油）
染液、油脂或残渣污点	乙醇、异丙醇或石油醚，固化之前轻轻擦拭
锈斑	10% 的草酸溶液

2. 然后使用清水仔细冲洗。
3. 为防止出现水渍，使用羚羊皮或人造海绵完全擦干。

更多信息

- 若要获取本文档的新版本，请参见 axis.com
- 如需有用的在线培训和在线研讨会，请参见 axis.com/academy

质保信息

有关安讯士产品质保的信息及相关信息，请转到 axis.com/warranty。

