



DATA SHEET

AS ROMA CHAIR

Date:	07/03/2019
Release:	01

Product	ICON Office chairs _ AS ROMA
Reference	00998SP07 -> SKY
Reference	
Reference	
Reference	

Release	Description
00	first release
01	Second release updated embroidery + dimensions



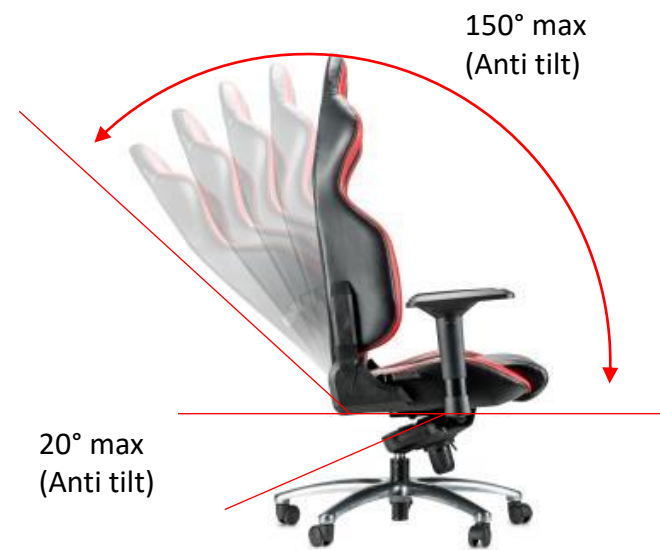
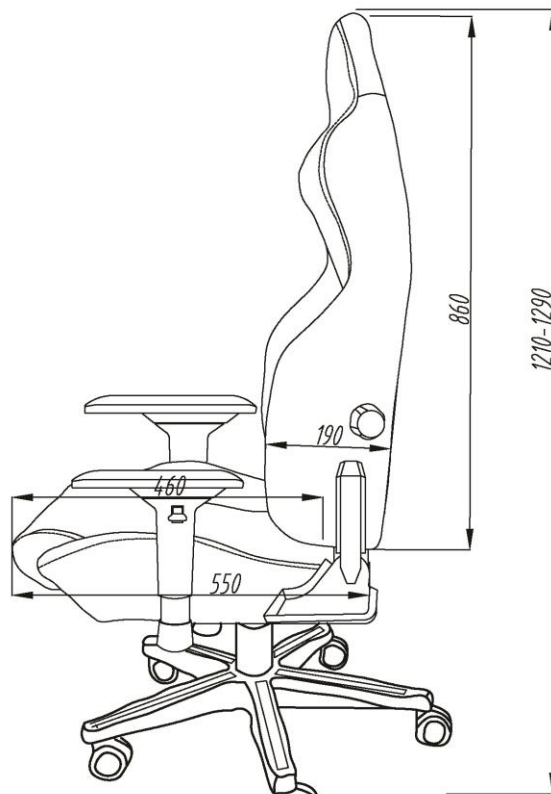
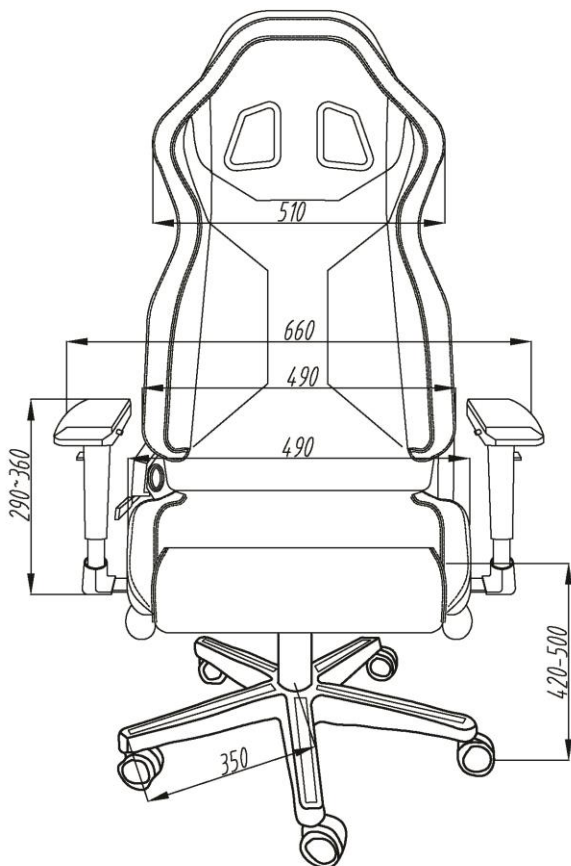
00998SP07

ICON Office chair

- Tubular steel frame chassis.
- Reclining seat
- PU Leather Black.



Dimensions, Weight and Materials



Weight 22kg

Dimensions, Weight and Materials

MATERIAL	
FRAME SEAT	Iron painted
FOAM	PU
TRIM COVER	SKY (PVC)
BELT BEZEL	PLASTIC (ABS)
TILTING MECHANISM	PLASTIC AND METAL PARTS (BASE WITH SGS/BIFMAX5.1/EN1335 CERTIFIED PISTON) Piston certificated to 150 kg. (EN 1335-3:2009 AC:2009, par. 7.2.1-7.2.2)
WHEEL BASE	NYLON
WHEELS	PLASTICS AND METAL PARTS

MASTER CARTON			
Pieces/master carton	1		
Master carton dimensions (length/width/height) (cm)	Length (cm)	Width (cm)	Height (cm)
	88,5	71,5	35
Empty master carton weight (g)	4000		
Weight of one master carton with products (g)	26000		
DOUBLE master carton (for air shipment) dimensions (length/width/height) (cm)	Length (cm)	Width (cm)	Height (cm)
Weight of one double master carton (for air shipment) with products (g)			
Country of origin	Designed in Italy / Made in China		